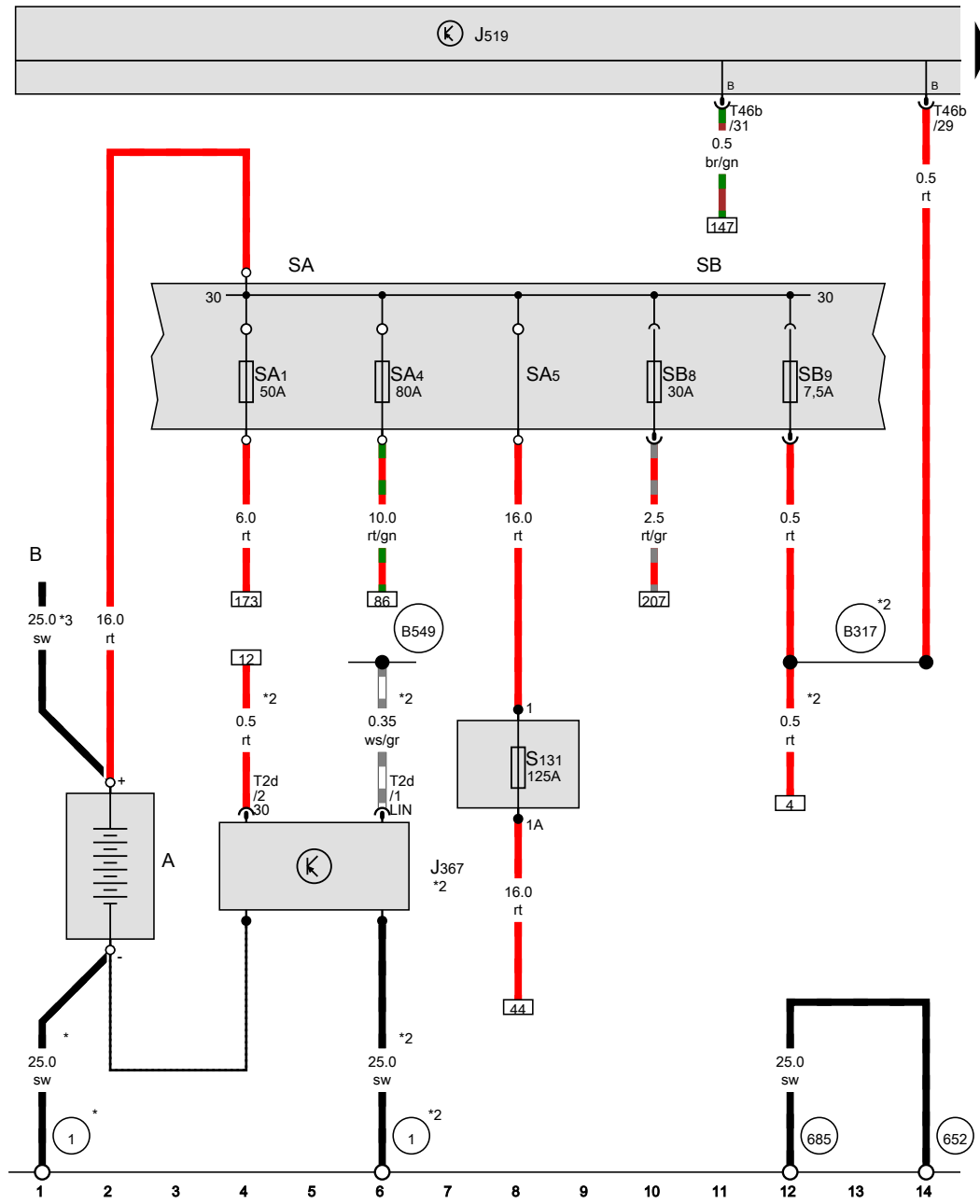


Basic equipment
From May 2015



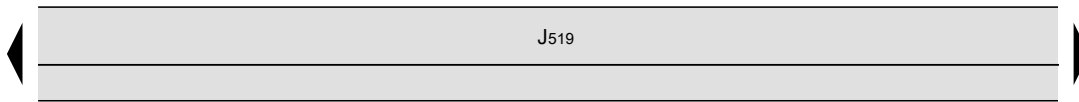
Battery, Battery monitor control unit, Fuse holder A, Fuse holder B

- A Battery
- B Starter
- J367 Battery monitor control unit
- J519 Onboard supply control unit
- SA Fuse holder A
- SA1 Fuse 1 in fuse holder A
- SA4 Fuse 4 in fuse holder A
- SA5 Fuse 5 in fuse holder A
- SB Fuse holder B
- SB8 Fuse 8 on fuse holder B
- SB9 Fuse 9 on fuse holder B
- S131 Fuse 1, in main wiring harness
- T2d 2-pin connector
- T46b 46-pin connector, brown

- 1 Earth strap, battery - body
- 652 Earth point, engine and gearbox earth
- 685 Earth point 1 at front of right longitudinal member
- B317 Positive connection 3 (30a) in main wiring harness
- B549 Connection 2 (LIN bus) in main wiring harness
- * Only models with no start/stop system
- *2 Only models with start/stop system
- *3 see applicable current flow diagram for engine

- ws = white
- sw = black
- ro = red
- rt = red
- br = brown
- gn = green
- bl = blue
- gr = grey
- li = purple
- vi = purple
- ge = yellow
- or = orange
- rs = pink

1NH0-0010202161



Fuse holder C

- E1 Light switch
- E45 Cruise control system switch
- J234 Airbag control unit
- J293 Radiator fan control unit
- J519 Onboard supply control unit
- SC Fuse holder C
- SC29 Fuse 29 on fuse holder C
- SC30 Fuse 30 on fuse holder C
- SC31 Fuse 31 on fuse holder C
- SC32 Fuse 32 on fuse holder C
- T10e 10-pin connector

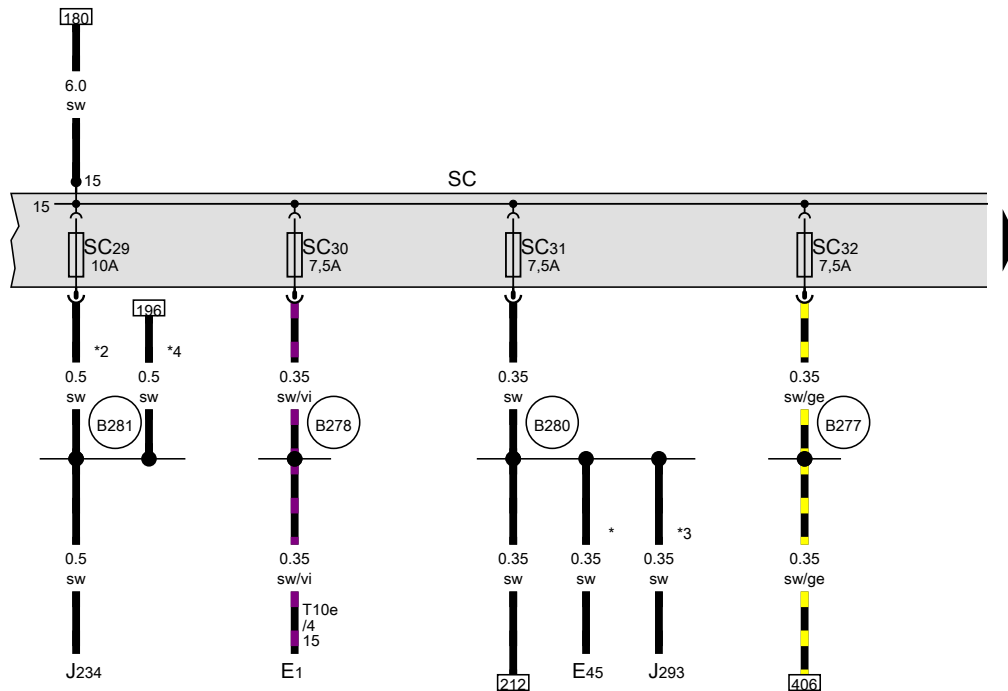
(B277) Positive connection 1 (15a) in main wiring harness

(B278) Positive connection 2 (15a) in main wiring harness

(B280) Positive connection 4 (15a) in main wiring harness

(B281) Positive connection 5 (15a) in main wiring harness

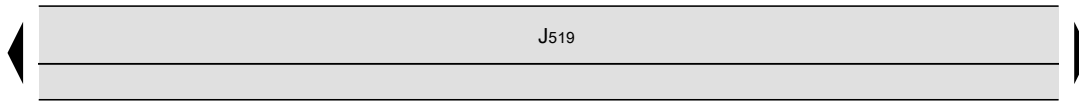
- * Only models with cruise control system (CCS)
- *2 Only models with entry and start authorisation
- *3 According to equipment
- *4 Only models with no entry and start authorisation



- ws = white
- sw = black
- ro = red
- rt = red
- br = brown
- gn = green
- bl = blue
- gr = grey
- li = purple
- vi = purple
- ge = yellow
- or = orange
- rs = pink

Volkswagen Technical Site: <http://vwts.ru> <http://vwts.info>

огромный архив документации по автомобилям Volkswagen, Skoda, Seat, Audi

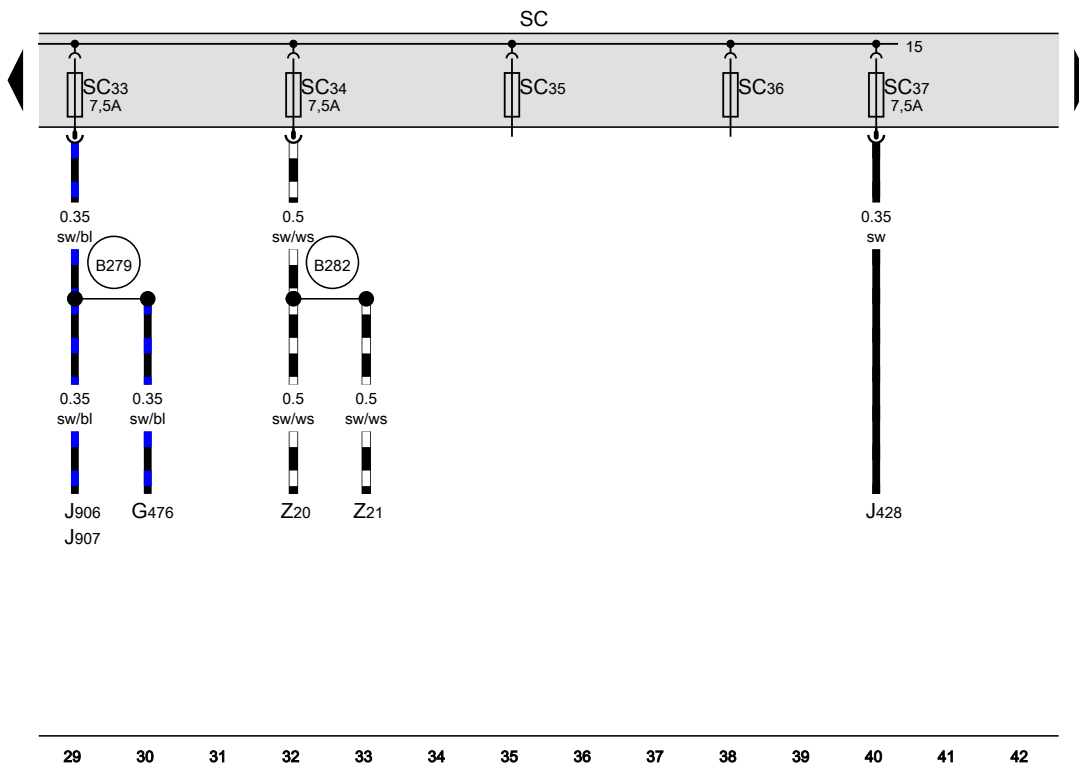


Fuse holder C

- G476 Clutch position sender
- J428 Adaptive cruise control unit
- J519 Onboard supply control unit
- J906 Starter relay 1
- J907 Starter relay 2
- SC Fuse holder C
- SC33 Fuse 33 on fuse holder C
- SC34 Fuse 34 on fuse holder C
- SC35 Fuse 35 on fuse holder C
- SC36 Fuse 36 on fuse holder C
- SC37 Fuse 37 on fuse holder C
- Z20 Left washer jet heater element
- Z21 Right washer jet heater element

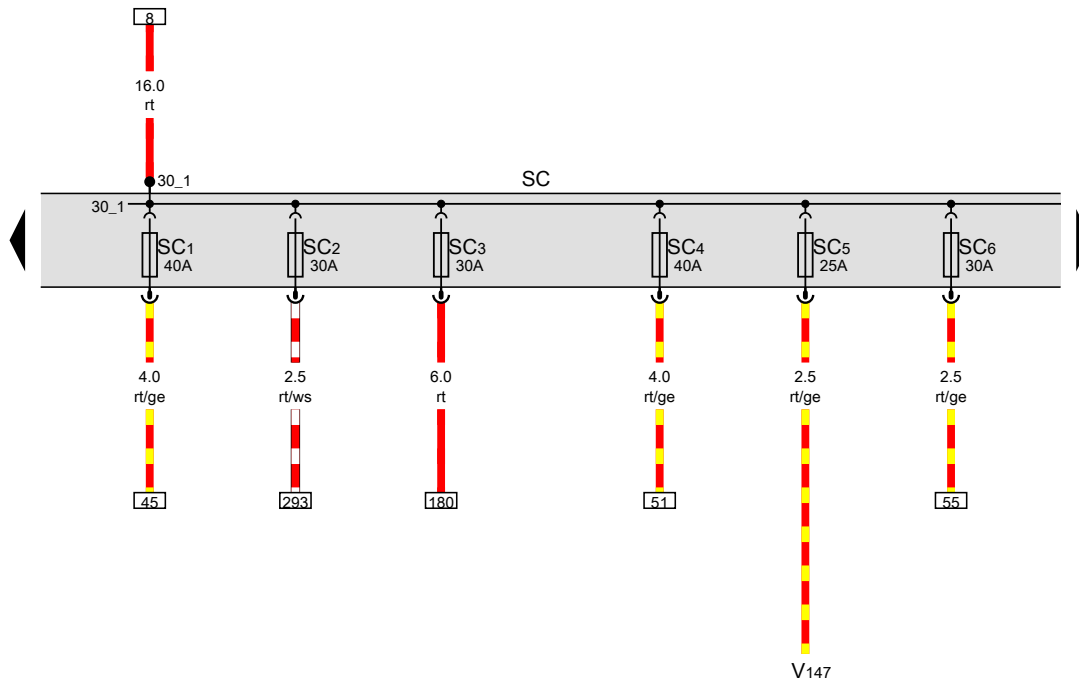
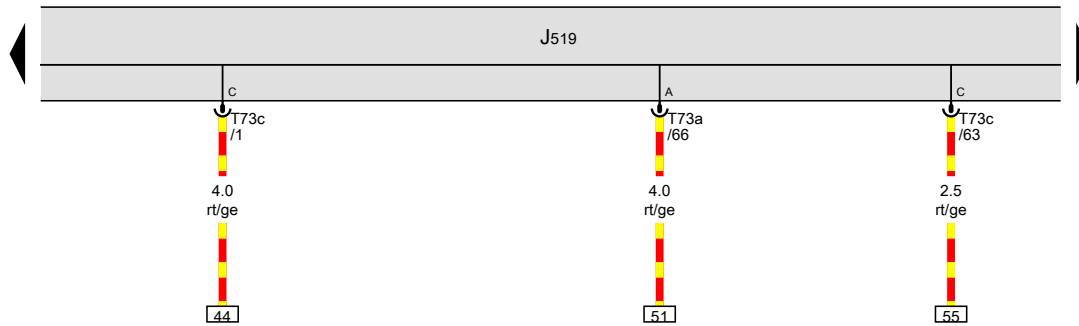
B279 Positive connection 3 (15a) in main wiring harness

B282 Positive connection 6 (15a) in main wiring harness



- ws = white
- sw = black
- ro = red
- rt = red
- br = brown
- gn = green
- bl = blue
- gr = grey
- li = purple
- vi = purple
- ge = yellow
- or = orange
- rs = pink

[NH0-001040216]



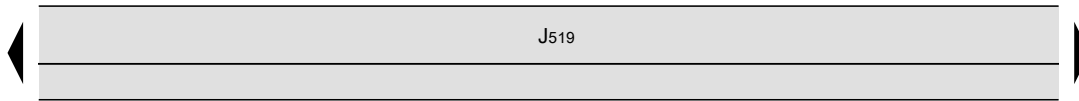
Fuse holder C

- J519 Onboard supply control unit
- SC Fuse holder C
- SC1 Fuse 1 on fuse holder C
- SC2 Fuse 2 on fuse holder C
- SC3 Fuse 3 on fuse holder C
- SC4 Fuse 4 on fuse holder C
- SC5 Fuse 5 on fuse holder C
- SC6 Fuse 6 on fuse holder C
- T73a 73-pin connector, black
- T73c 73-pin connector, black
- V147 Driver side window regulator motor

43 44 45 46 47 48 49 50 51 52 53 54 55 56

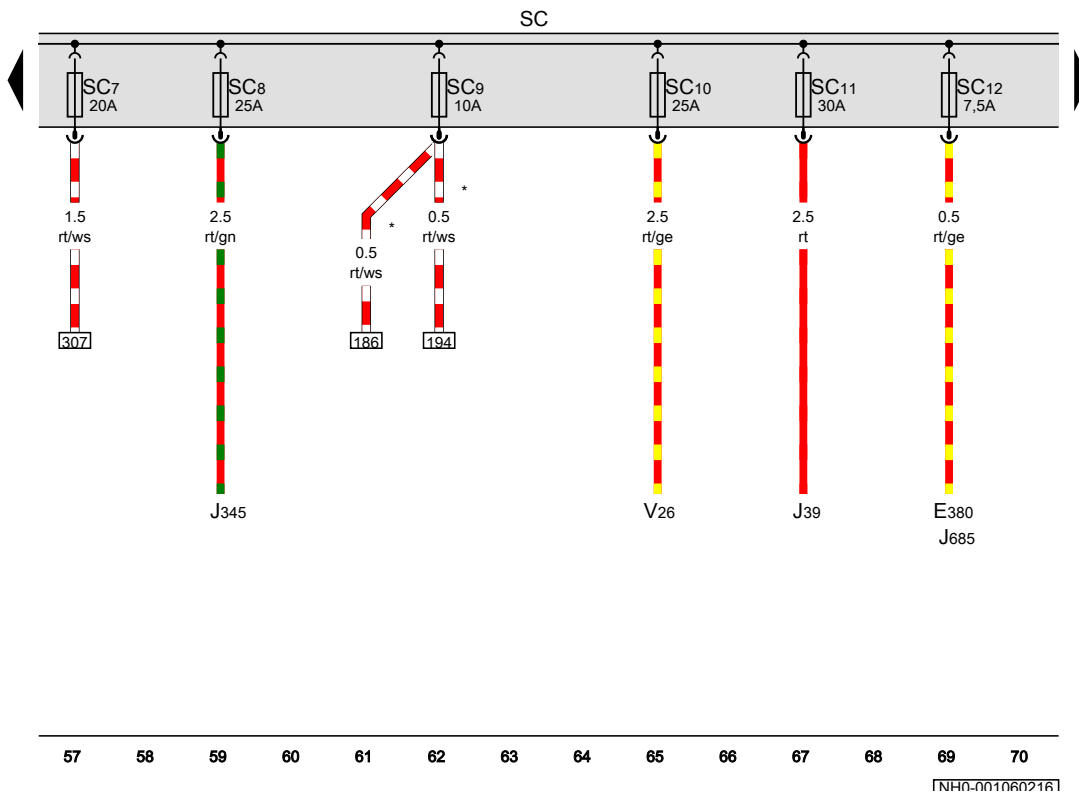
[NH0-001050216]

- ws = white
- sw = black
- ro = red
- rt = red
- br = brown
- gn = green
- bl = blue
- gr = grey
- li = purple
- vi = purple
- ge = yellow
- or = orange
- rs = pink



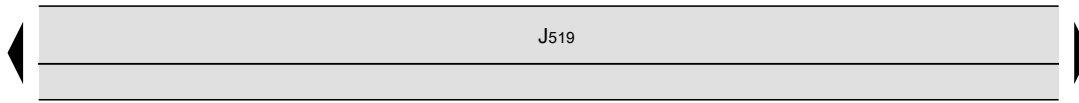
Fuse holder C

- E380 Multimedia system operating unit
- J39 Headlight washer system relay
- J345 Trailer detector control unit, on right in luggage compartment
- J519 Onboard supply control unit
- J685 Display unit for front information display and operating unit control unit
- SC Fuse holder C
- SC7 Fuse 7 on fuse holder C
- SC8 Fuse 8 on fuse holder C
- SC9 Fuse 9 on fuse holder C
- SC10 Fuse 10 on fuse holder C
- SC11 Fuse 11 on fuse holder C
- SC12 Fuse 12 on fuse holder C
- V26 Rear left window regulator motor
- * Only models with no entry and start authorisation



- ws = white
- sw = black
- ro = red
- rt = red
- br = brown
- gn = green
- bl = blue
- gr = grey
- li = purple
- vi = purple
- ge = yellow
- or = orange
- rs = pink

[NH0-001060216]



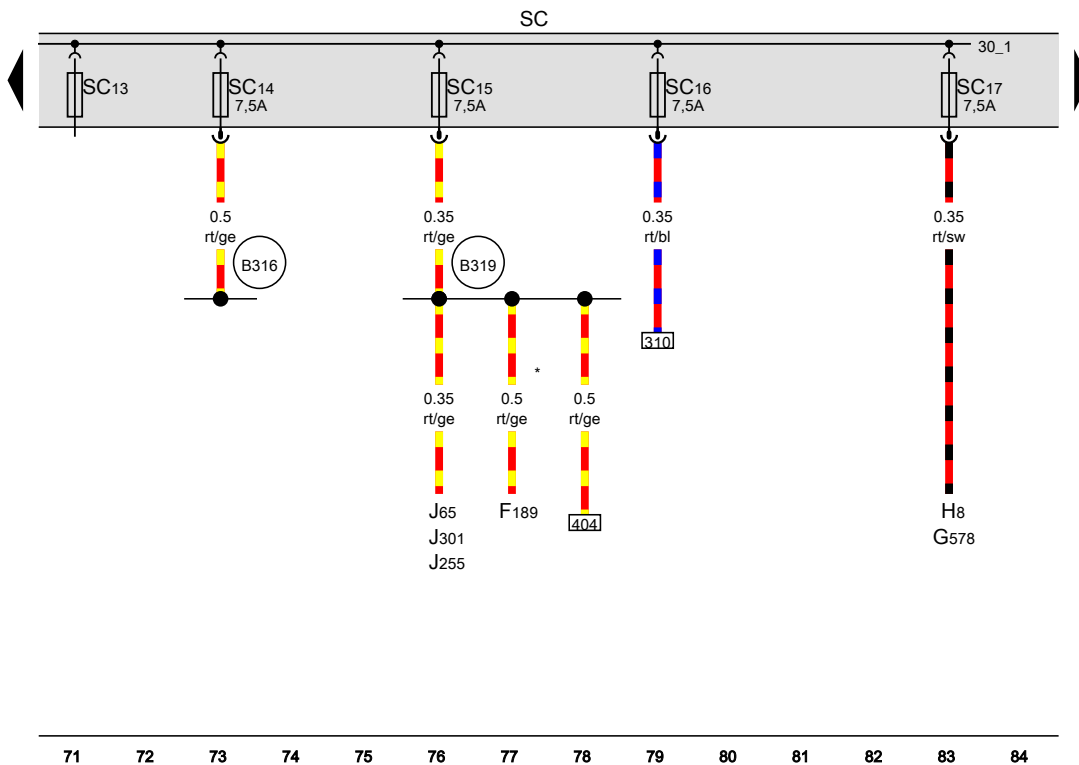
Fuse holder C

- F189 Tiptronic switch
- G578 Anti-theft alarm sensor
- H8 Anti-theft alarm system horn
- J65 Heater control unit
- J255 Climatronic control unit
- J301 Air conditioning system control unit
- J519 Onboard supply control unit
- SC Fuse holder C
- SC13 Fuse 13 on fuse holder C
- SC14 Fuse 14 on fuse holder C
- SC15 Fuse 15 on fuse holder C
- SC16 Fuse 16 on fuse holder C
- SC17 Fuse 17 on fuse holder C

B316 Positive connection 2 (30a) in main wiring harness

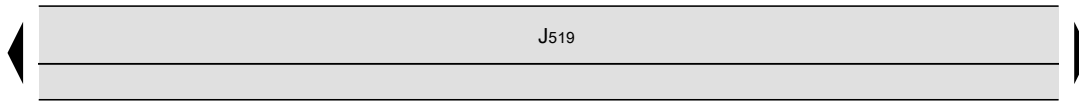
B319 Positive connection 5 (30a) in main wiring harness

* Only models with automatic gearbox



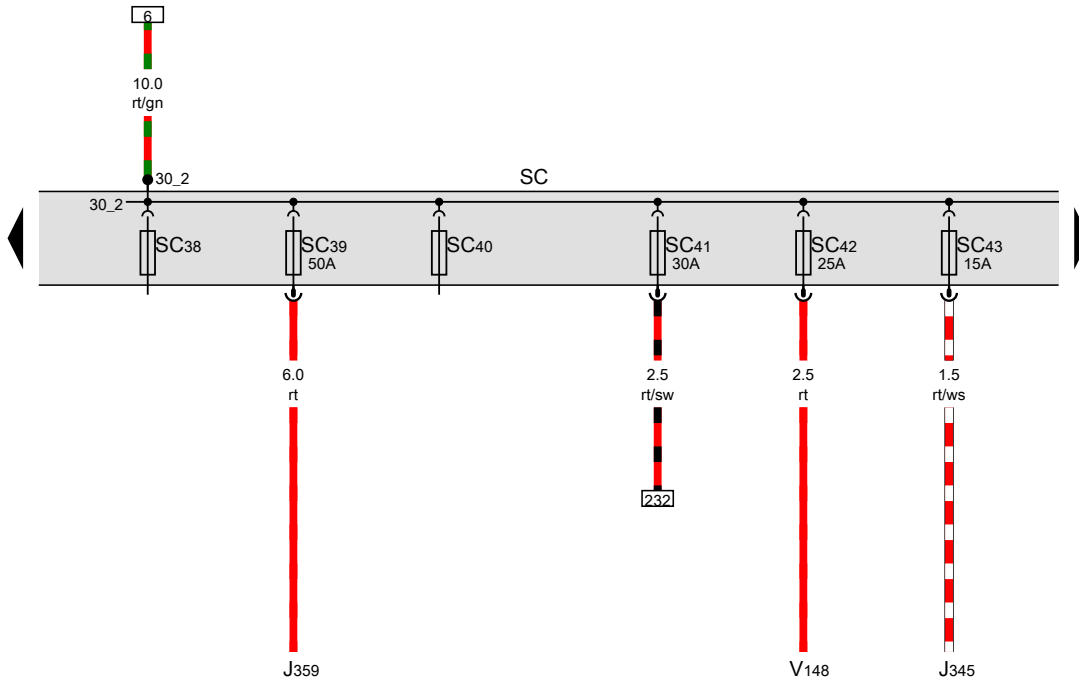
- ws = white
- sw = black
- ro = red
- rt = red
- br = brown
- gn = green
- bl = blue
- gr = grey
- li = purple
- vi = purple
- ge = yellow
- or = orange
- rs = pink

[NH0-001070216]



Fuse holder C

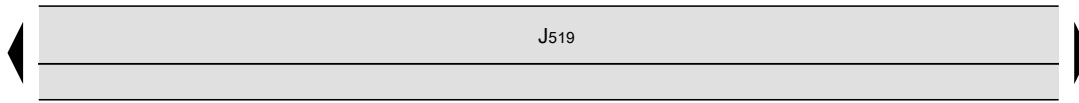
- J345 Trailer detector control unit, on right in luggage compartment
- J359 Low heat output relay
- J519 Onboard supply control unit
- SC Fuse holder C
- SC38 Fuse 38 on fuse holder C
- SC39 Fuse 39 on fuse holder C
- SC40 Fuse 40 on fuse holder C
- SC41 Fuse 41 on fuse holder C
- SC42 Fuse 42 on fuse holder C
- SC43 Fuse 43 on fuse holder C
- V148 Front passenger side window regulator motor



- ws = white
- sw = black
- ro = red
- rt = red
- br = brown
- gn = green
- bl = blue
- gr = grey
- li = purple
- vi = purple
- ge = yellow
- or = orange
- rs = pink

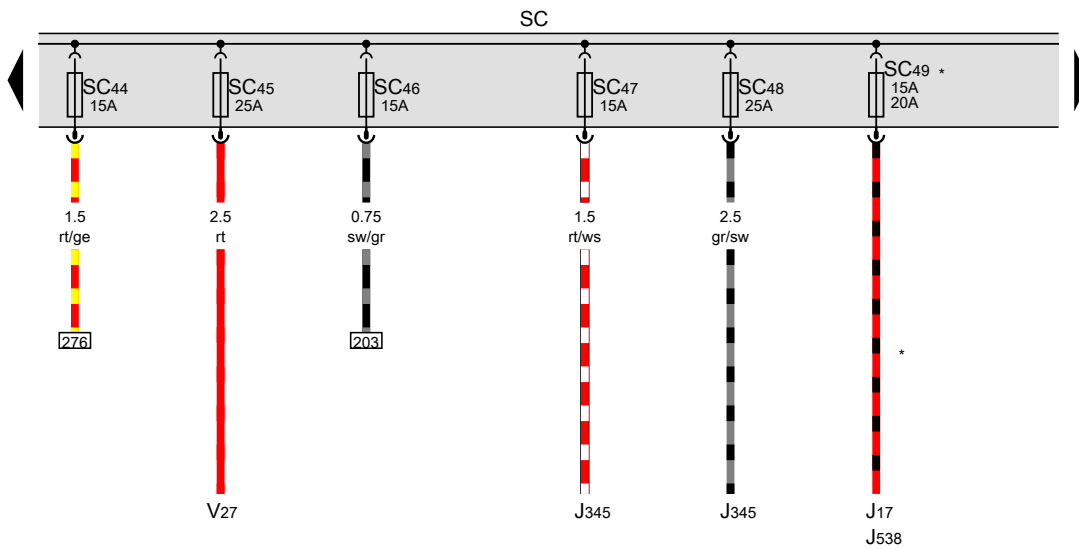
85 86 87 88 89 90 91 92 93 94 95 96 97 98

[NH0-0010R0216]



Fuse holder C

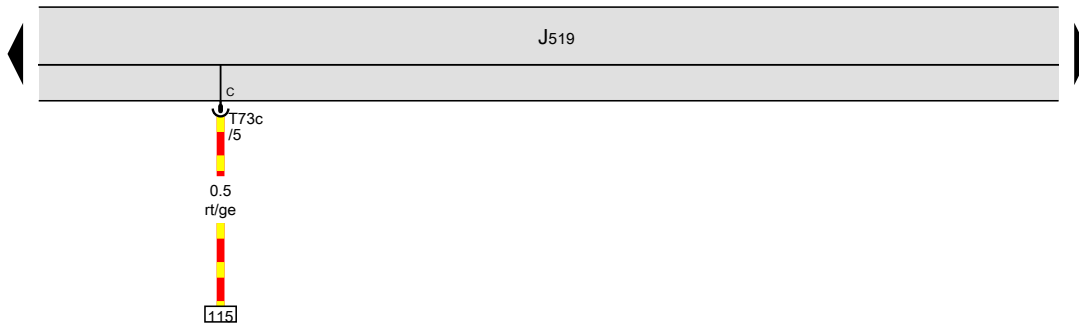
- J17 Fuel pump relay
- J345 Trailer detector control unit, on right in luggage compartment
- J519 Onboard supply control unit
- J538 Fuel pump control unit
- SC Fuse holder C
- SC44 Fuse 44 on fuse holder C
- SC45 Fuse 45 on fuse holder C
- SC46 Fuse 46 on fuse holder C
- SC47 Fuse 47 on fuse holder C
- SC48 Fuse 48 on fuse holder C
- SC49 Fuse 49 on fuse holder C
- V27 Rear right window regulator motor
- * see applicable current flow diagram for engine



- ws = white
- sw = black
- ro = red
- rt = red
- br = brown
- gn = green
- bl = blue
- gr = grey
- li = purple
- vi = purple
- ge = yellow
- or = orange
- rs = pink

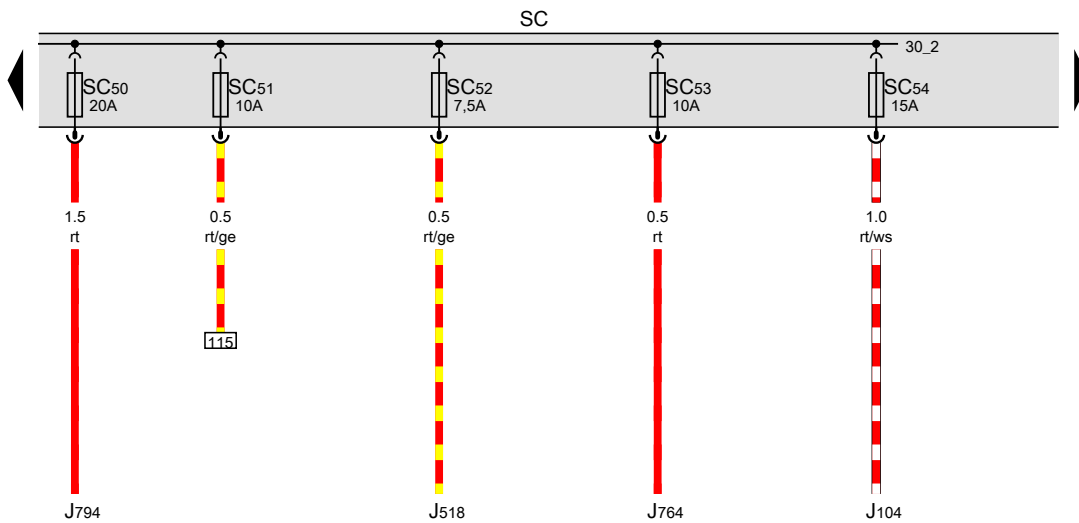
99 100 101 102 103 104 105 106 107 108 109 110 111 112

[NH0-001090216]



Fuse holder C

- J104 ABS control unit
- J518 Entry and start authorisation control unit
- J519 Onboard supply control unit
- J764 Control unit for electronic steering column lock
- J794 Control unit 1 for information electronics
- SC Fuse holder C
- SC50 Fuse 50 on fuse holder C
- SC51 Fuse 51 on fuse holder C
- SC52 Fuse 52 on fuse holder C
- SC53 Fuse 53 on fuse holder C
- SC54 Fuse 54 on fuse holder C
- T73c 73-pin connector, black



- ws = white
- sw = black
- ro = red
- rt = red
- br = brown
- gn = green
- bl = blue
- gr = grey
- li = purple
- vi = purple
- ge = yellow
- or = orange
- rs = pink

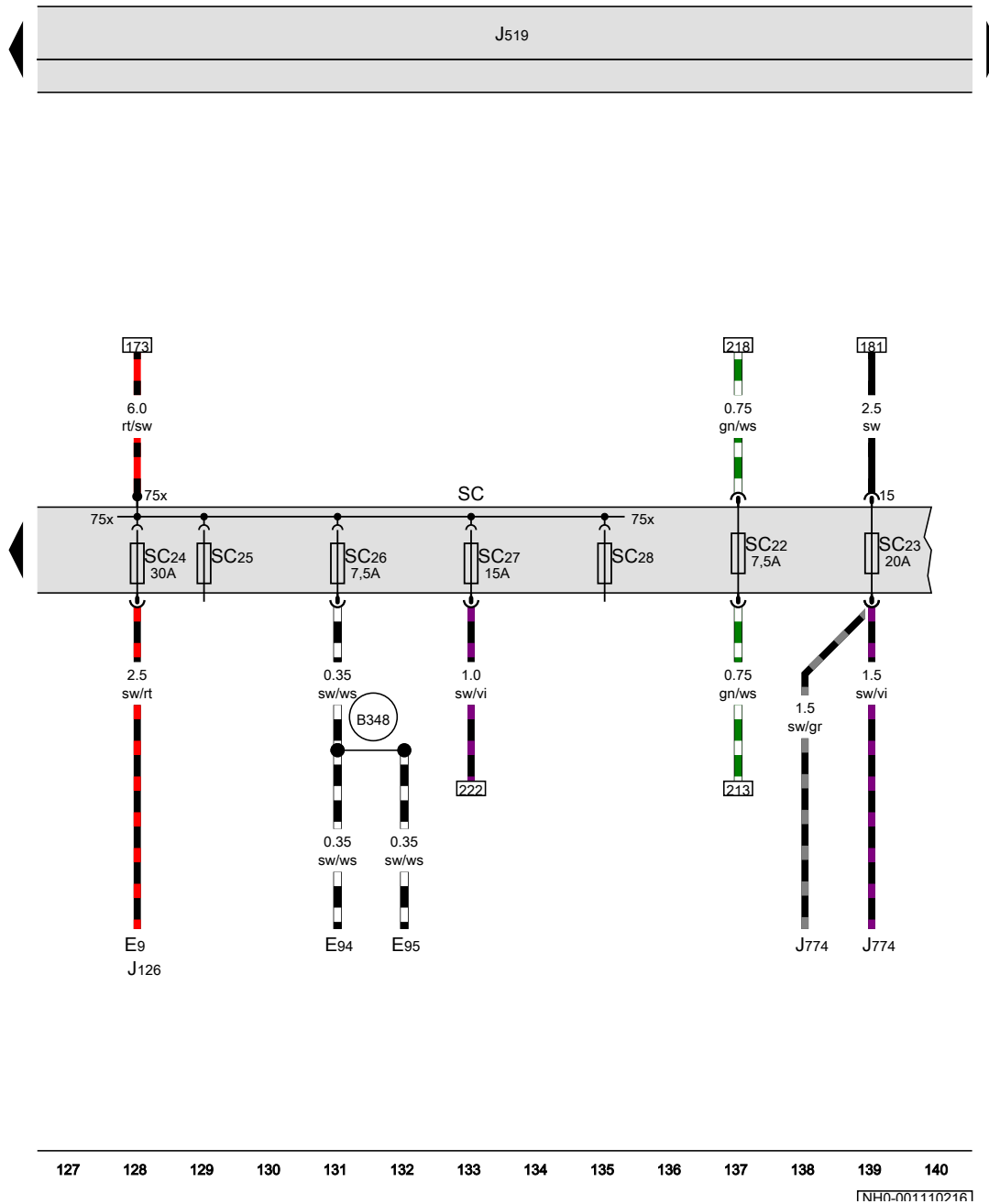
113 114 115 116 117 118 119 120 121 122 123 124 125 126

[NH0-001100216]

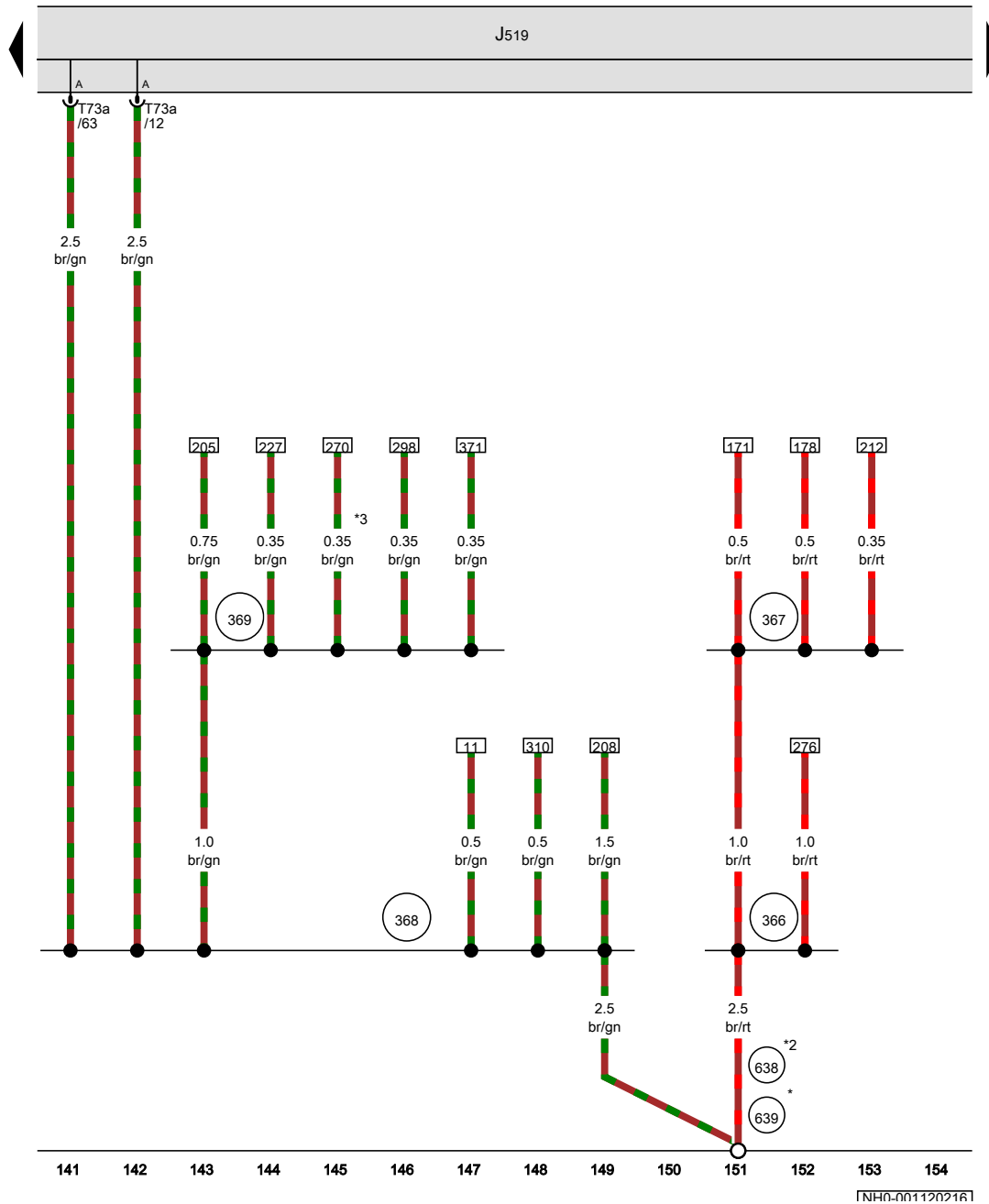
Fuse holder C

- E9 Fresh air blower switch
- E94 Heated driver seat regulator
- E95 Heated front passenger seat regulator
- J126 Fresh air blower control unit
- J519 Onboard supply control unit
- J774 Heated front seats control unit, behind dash panel, centre
- SC Fuse holder C
- SC22 Fuse 22 on fuse holder C
- SC23 Fuse 23 on fuse holder C
- SC24 Fuse 24 on fuse holder C
- SC25 Fuse 25 on fuse holder C
- SC26 Fuse 26 on fuse holder C
- SC27 Fuse 27 on fuse holder C
- SC28 Fuse 28 on fuse holder C

B348 Connection 1 (75a), in main wiring harness



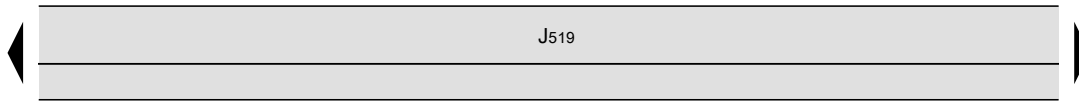
[NH0-001110216]



- J519 Onboard supply control unit
- T73a 73-pin connector, black
- 366 Earth connection 1, in main wiring harness
- 367 Earth connection 2, in main wiring harness
- 368 Earth connection 3, in main wiring harness
- 369 Earth connection 4, in main wiring harness
- 638 Earth point, on right A-pillar
- 639 Earth point, left A-pillar
- * Only left-hand drive models
- *2 Only right-hand drive models
- *3 Special equipment

ws = white
 sw = black
 ro = red
 rt = red
 br = brown
 gn = green
 bl = blue
 gr = grey
 li = purple
 vi = purple
 ge = yellow
 or = orange
 rs = pink

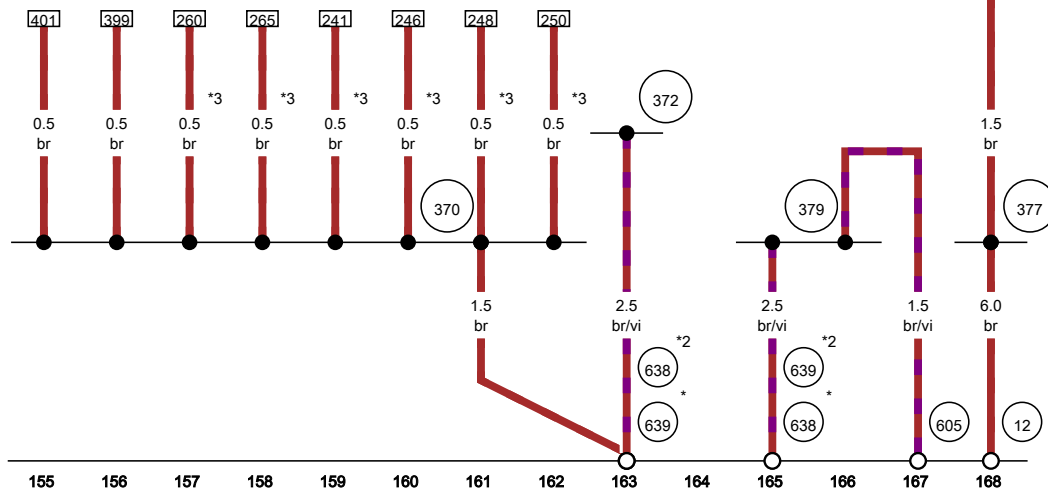
[NH0-001120216]



J519 Onboard supply control unit

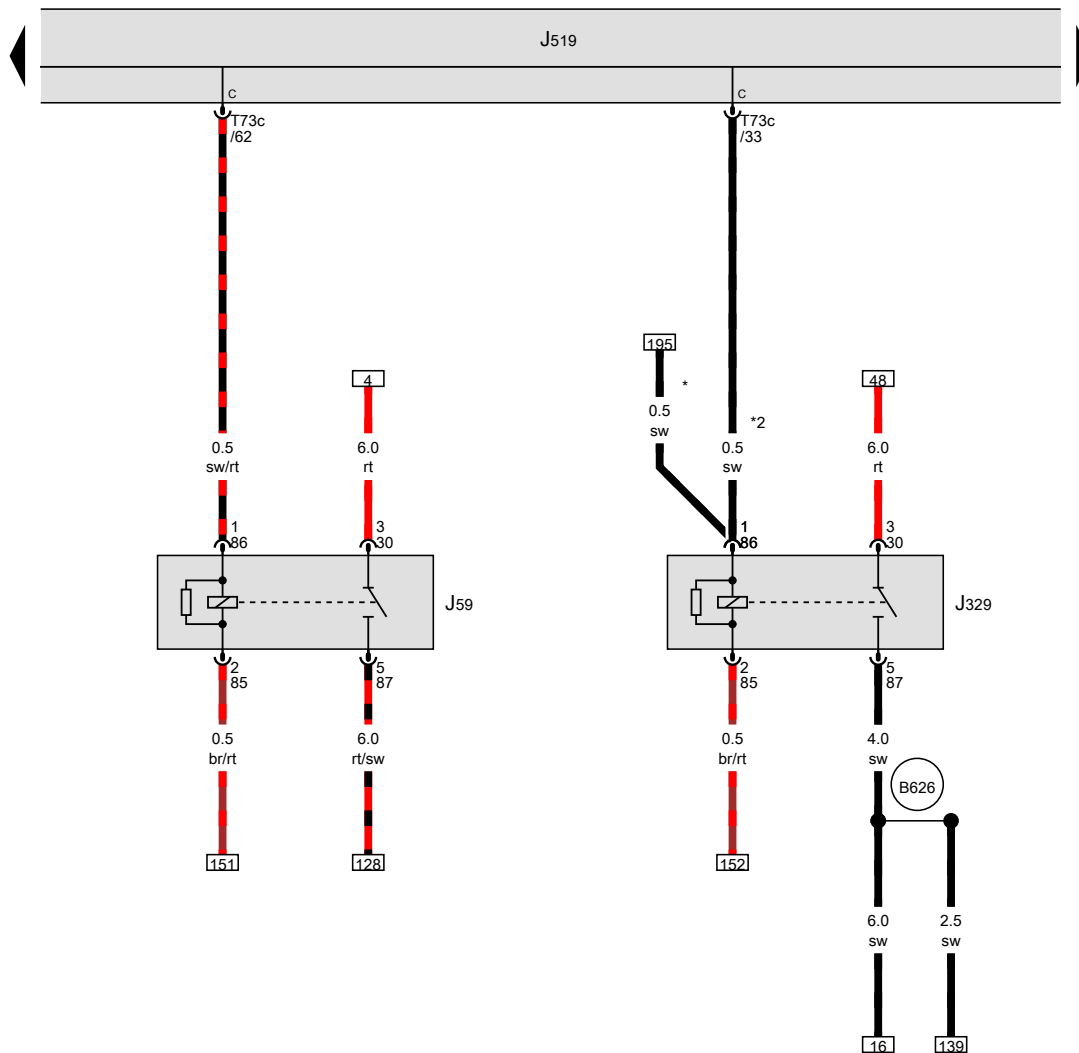
- 12 Earth point, on left in engine compartment
- 370 Earth connection 5, in main wiring harness
- 372 Earth connection 7, in main wiring harness
- 377 Earth connection 12, in main wiring harness
- 378 Earth connection 13, in main wiring harness
- 379 Earth connection 14, in main wiring harness
- 605 Earth point, on top end of steering column
- 638 Earth point, on right A-pillar
- 639 Earth point, left A-pillar

- * Only left-hand drive models
- *2 Only right-hand drive models
- *3 According to equipment



- ws = white
- sw = black
- ro = red
- rt = red
- br = brown
- gn = green
- bl = blue
- gr = grey
- li = purple
- vi = purple
- ge = yellow
- or = orange
- rs = pink

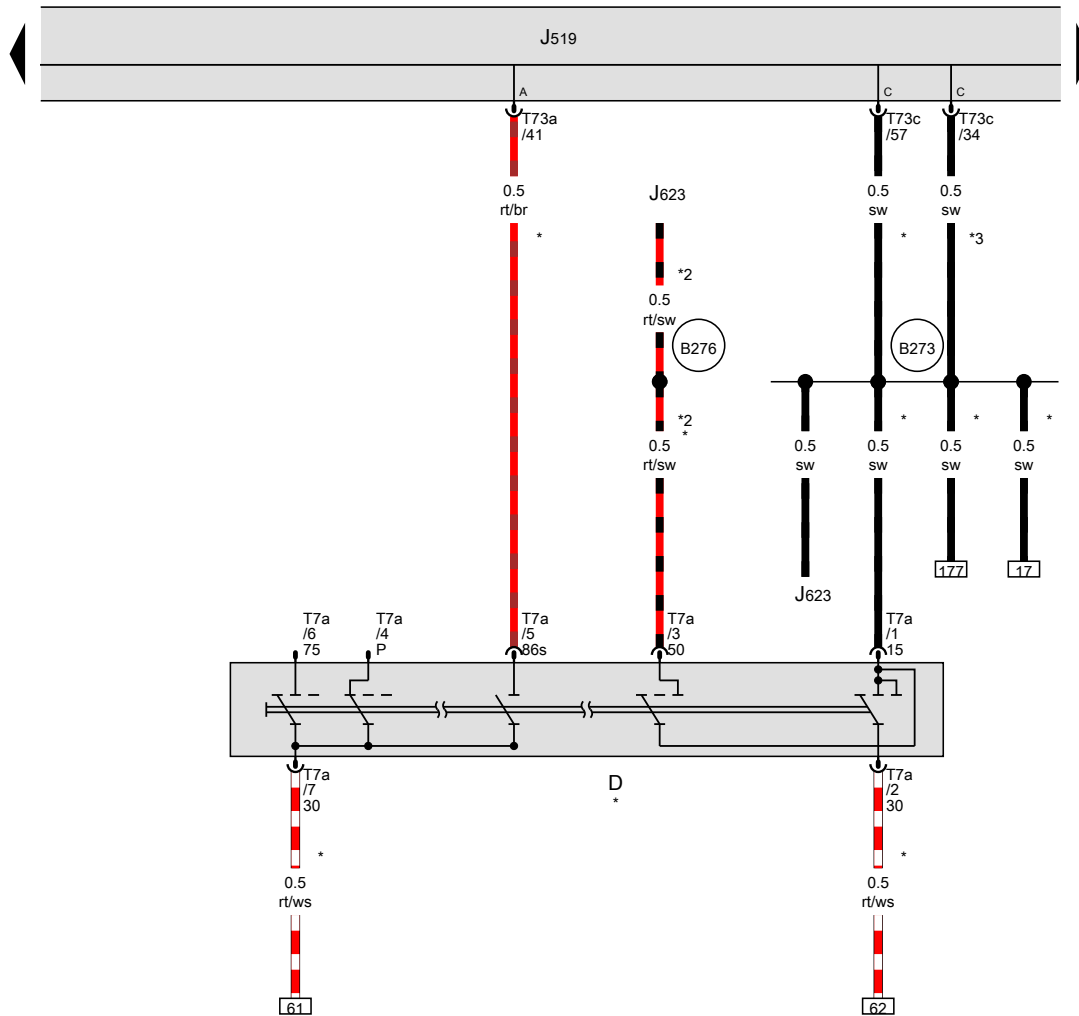
[NH0-001130216]



X-contact relief relay, Terminal 15 voltage supply relay

- J59 X-contact relief relay
- J329 Terminal 15 voltage supply relay
- J519 Onboard supply control unit
- T73c 73-pin connector, black
- B626** Positive connection 2 (15), in main wiring harness
- * Only models with no entry and start authorisation
- *2 Only models with entry and start authorisation

- ws = white
- sw = black
- ro = red
- rt = red
- br = brown
- gn = green
- bl = blue
- gr = grey
- li = purple
- vi = purple
- ge = yellow
- or = orange
- rs = pink



Ignition/starter switch

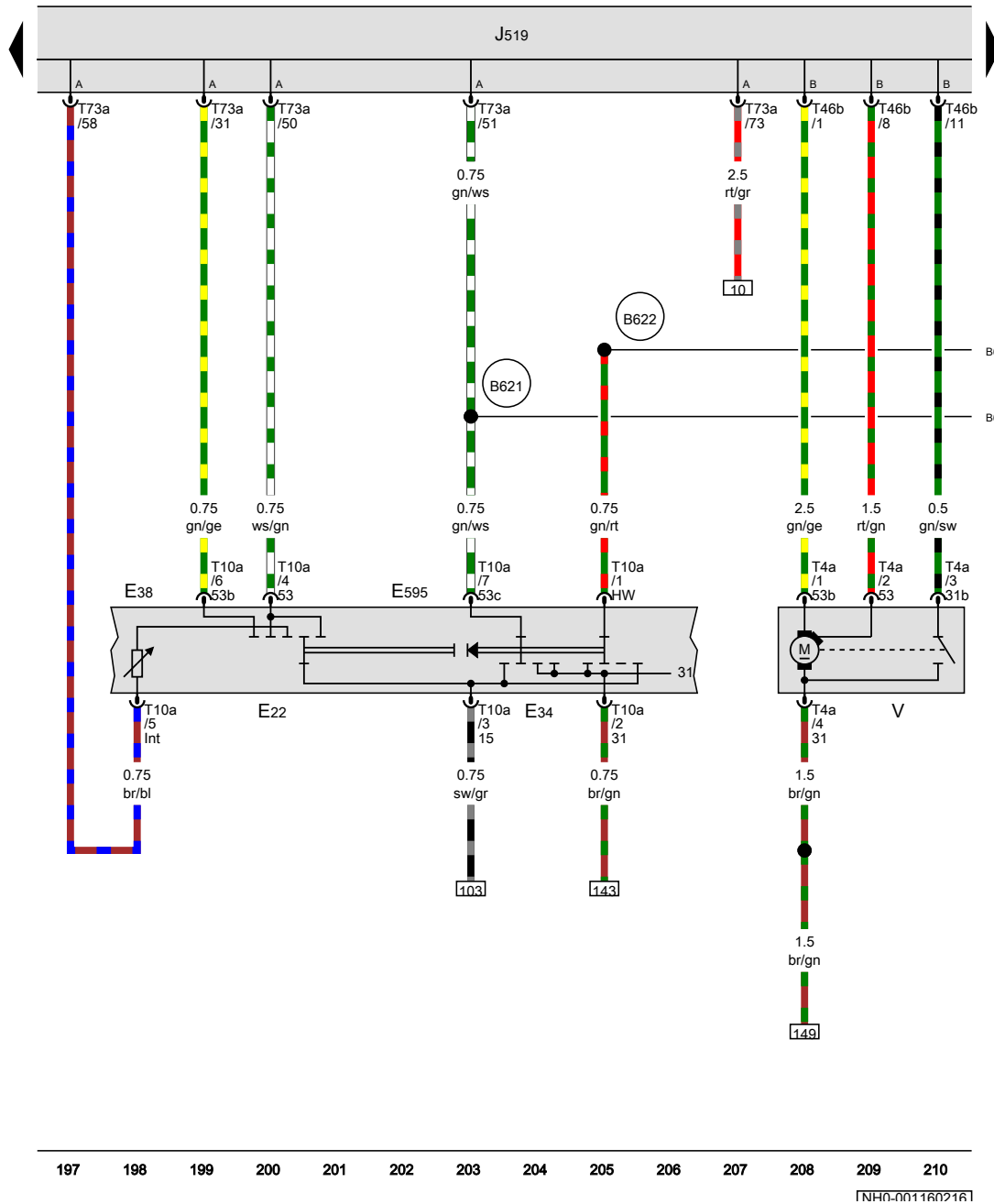
- D Ignition/starter switch
- J519 Onboard supply control unit
- J623 Engine control unit
- T7a 7-pin connector
- T73a 73-pin connector, black
- T73c 73-pin connector, black

(B273) Positive connection (15), in main wiring harness

(B276) Positive connection (50), in main wiring harness

- * Only models with no entry and start authorisation see applicable current flow diagram for engine
- *2 Only models with entry and start authorisation
- *3 Only models with entry and start authorisation

- ws = white
- sw = black
- ro = red
- rt = red
- br = brown
- gn = green
- bl = blue
- gr = grey
- li = purple
- vi = purple
- ge = yellow
- or = orange
- rs = pink



Intermittent wiper switch, Rear wiper switch, Intermittent wiper regulator, Steering column combination switch, Windscreen wiper motor

- E22 Intermittent wiper switch
- E34 Rear wiper switch
- E38 Intermittent wiper regulator
- E595 Steering column combination switch
- J519 Onboard supply control unit
- T4a 4-pin connector
- T10a 10-pin connector
- T46b 46-pin connector, brown
- T73a 73-pin connector, black
- V Windscreen wiper motor

B621 Connection 1 (53c), in main wiring harness

B622 Connection (windscreen wiper), in main wiring harness

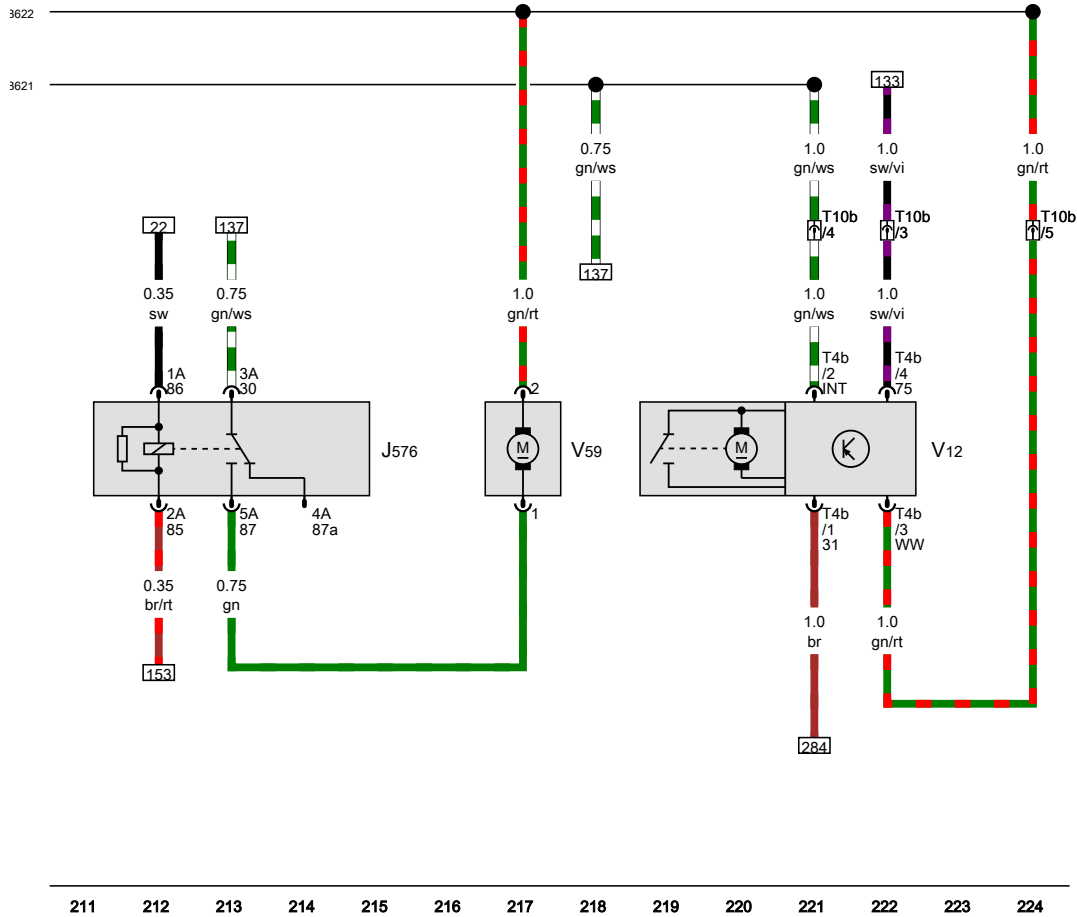
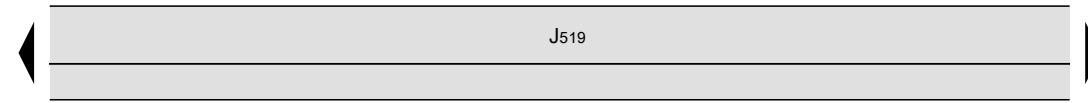
- ws = white
- sw = black
- ro = red
- rt = red
- br = brown
- gn = green
- bl = blue
- gr = grey
- li = purple
- vi = purple
- ge = yellow
- or = orange
- rs = pink

Washer pump relay, Rear window wiper motor, Windscreen and rear window washer pump

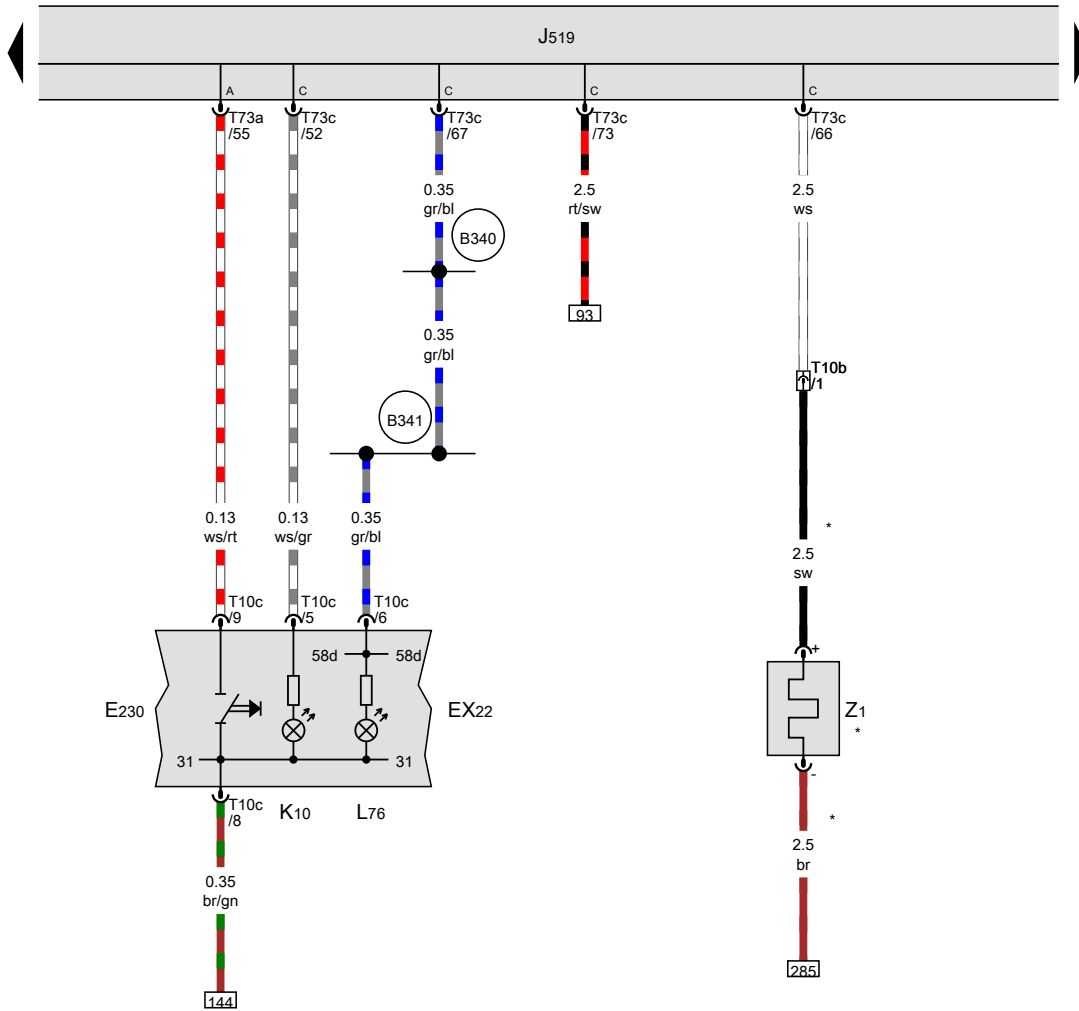
- J519 Onboard supply control unit
- J576 Washer pump relay
- T4b 4-pin connector
- T10b 10-pin connector
- V12 Rear window wiper motor
- V59 Windscreen and rear window washer pump

B621 Connection 1 (53c), in main wiring harness

B622 Connection (windscreen wiper), in main wiring harness



- ws = white
- sw = black
- ro = red
- rt = red
- br = brown
- gn = green
- bl = blue
- gr = grey
- li = purple
- vi = purple
- ge = yellow
- or = orange
- rs = pink



Centre switch module in dash panel, Heated rear window button, Heated rear window

- EX22 Centre switch module in dash panel
- E230 Heated rear window button
- J519 Onboard supply control unit
- K10 Heated rear window warning lamp
- L76 Button illumination bulb
- T10b 10-pin connector
- T10c 10-pin connector, black
- T73a 73-pin connector, black
- T73c 73-pin connector, black
- Z1 Heated rear window

B340 Connection 1 (58d), in main wiring harness

B341 Connection 2 (58d), in main wiring harness

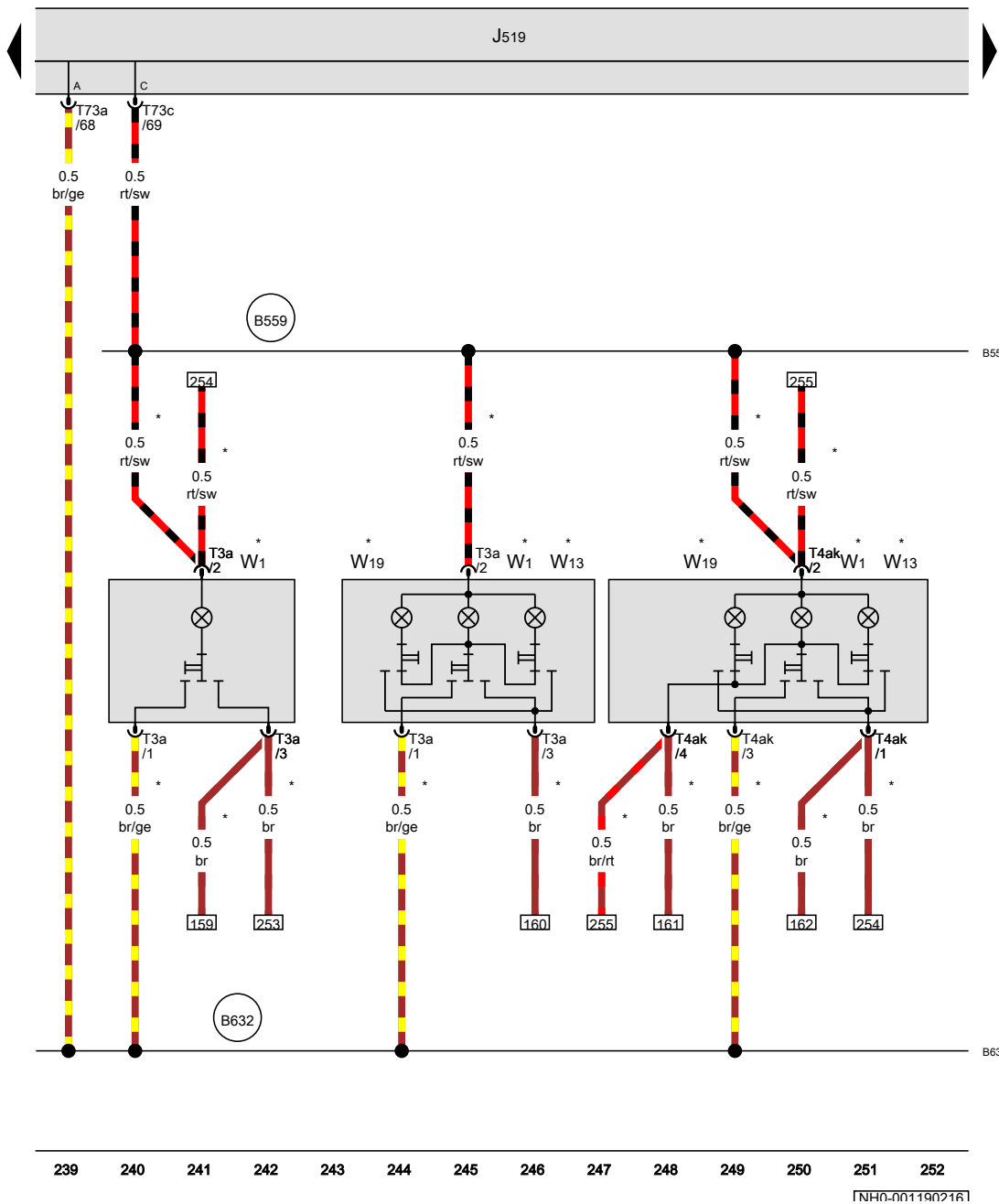
* Only models with no rear window aerial

- ws = white
- sw = black
- ro = red
- rt = red
- br = brown
- gn = green
- bl = blue
- gr = grey
- li = purple
- vi = purple
- ge = yellow
- or = orange
- rs = pink

Front interior light, Front passenger reading light, Driver side reading light

- J519 Onboard supply control unit
- T3a 3-pin connector
- T4ak 4-pin connector
- T73a 73-pin connector, black
- T73c 73-pin connector, black
- W1 Front interior light
- W13 Front passenger reading light
- W19 Driver side reading light

- B559 Positive connection 1 (30g), in main wiring harness
- B632 Connection (interior light, 31), in main wiring harness
- * According to equipment



- ws = white
- sw = black
- ro = red
- rt = red
- br = brown
- gn = green
- bl = blue
- gr = grey
- li = purple
- vi = purple
- ge = yellow
- or = orange
- rs = pink

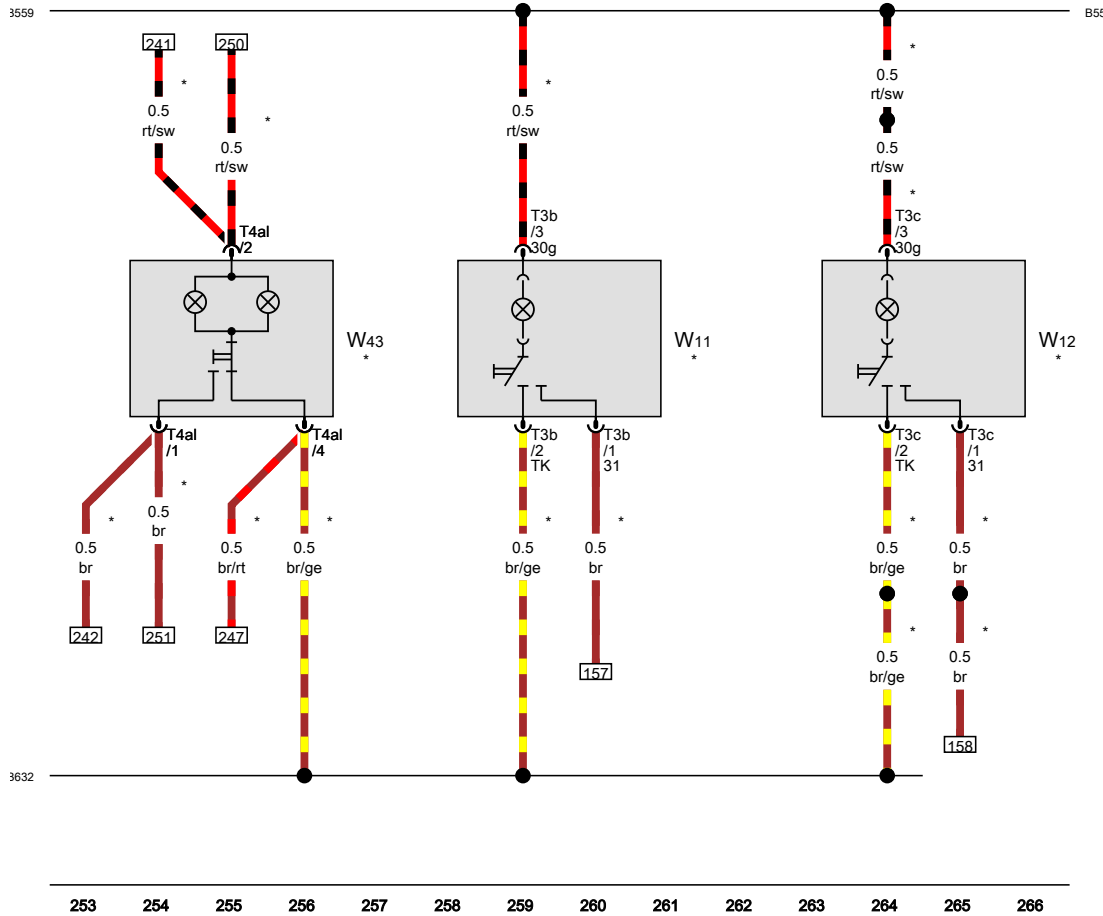
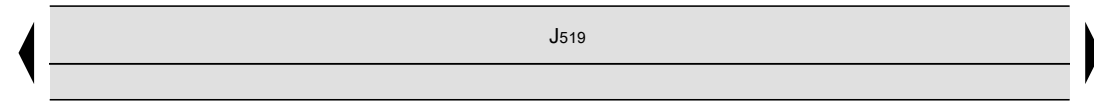
Rear left reading light, Rear right reading light, Rear interior light

- J519 Onboard supply control unit
- T3b 3-pin connector
- T3c 3-pin connector
- T4al 4-pin connector
- W11 Rear left reading light
- W12 Rear right reading light
- W43 Rear interior light

B559 Positive connection 1 (30g), in main wiring harness

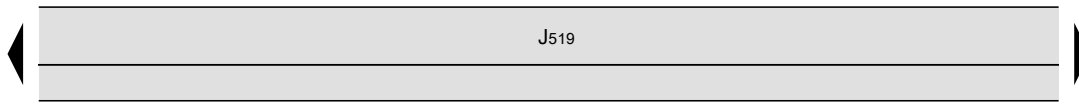
B632 Connection (interior light, 31), in main wiring harness

* According to equipment



- ws = white
- sw = black
- ro = red
- rt = red
- br = brown
- gn = green
- bl = blue
- gr = grey
- li = purple
- vi = purple
- ge = yellow
- or = orange
- rs = pink

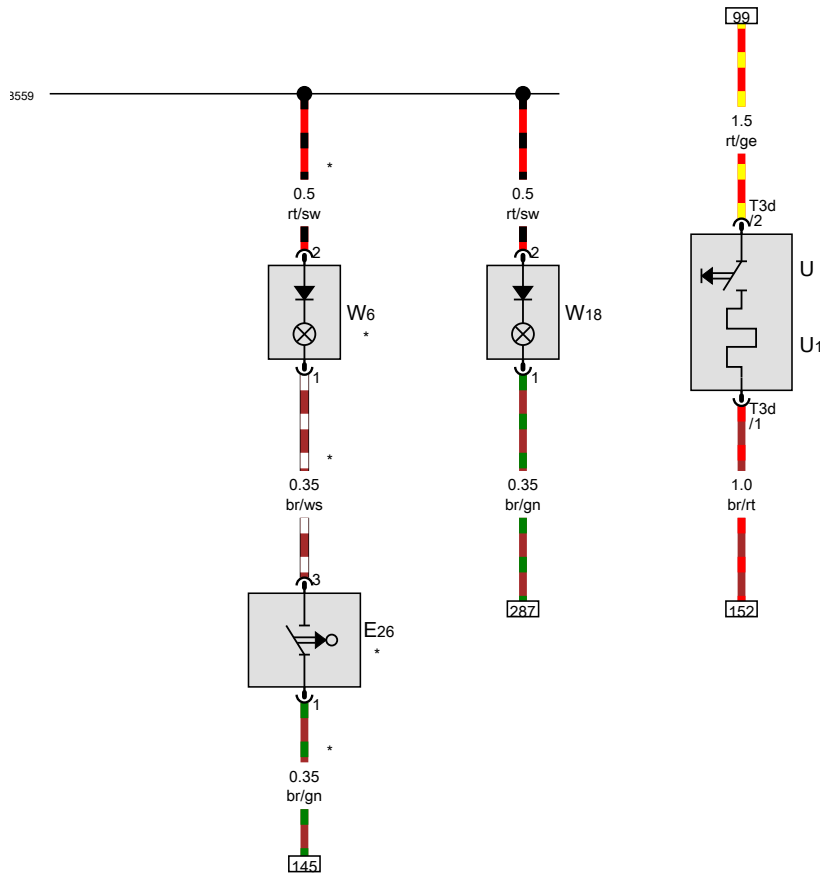
[NH0-001200216]



Glove compartment light switch, Electric socket, Cigarette lighter, Glove compartment light, Luggage compartment light on left

- E26 Glove compartment light switch
- J519 Onboard supply control unit
- T3d 3-pin connector
- U Electric socket
- U1 Cigarette lighter
- W6 Glove compartment light
- W18 Luggage compartment light on left

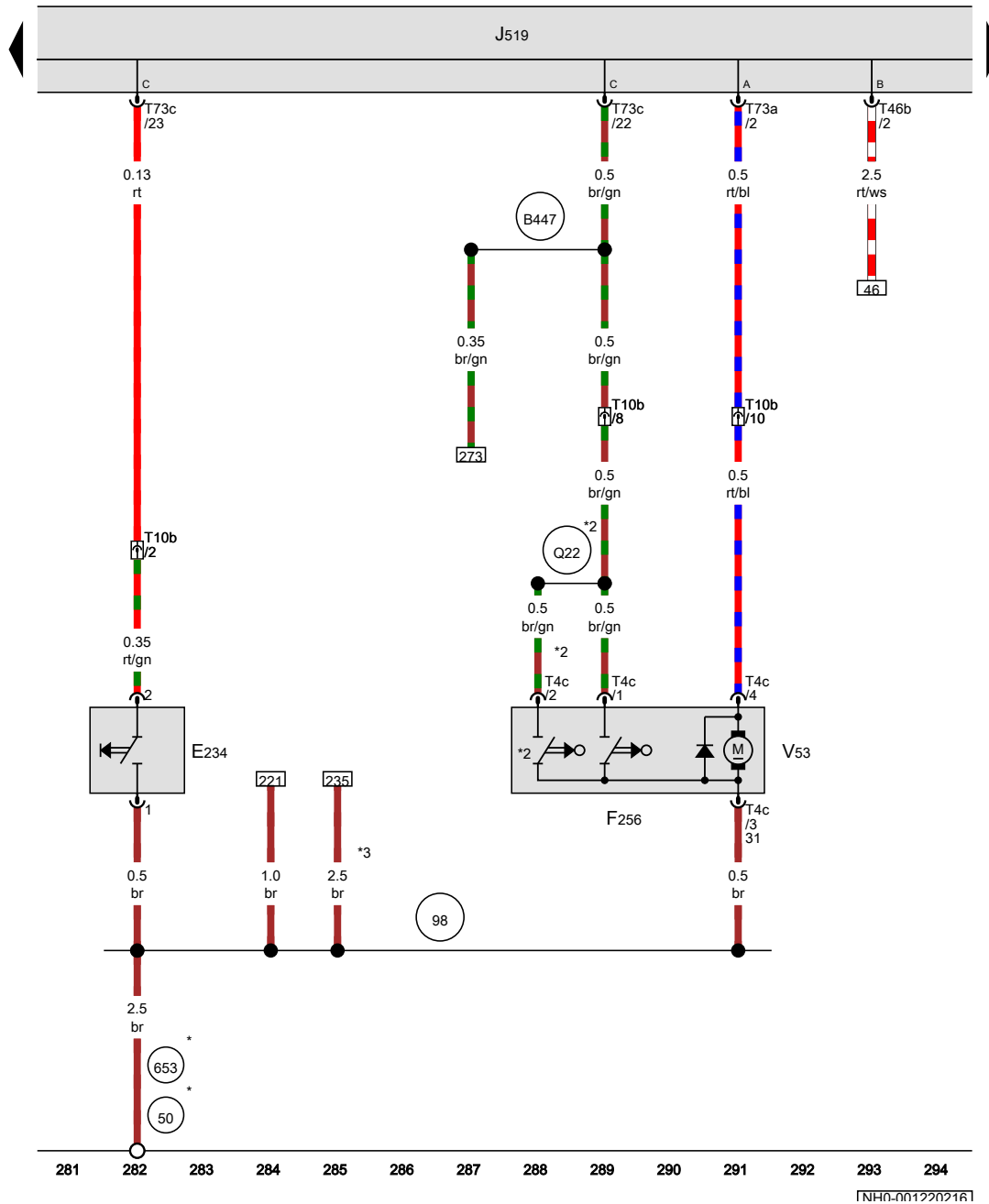
- B559 Positive connection 1 (30g), in main wiring harness
- * Special equipment



- ws = white
- sw = black
- ro = red
- rt = red
- br = brown
- gn = green
- bl = blue
- gr = grey
- li = purple
- vi = purple
- ge = yellow
- or = orange
- rs = pink

267 268 269 270 271 272 273 274 275 276 277 278 279 280

[NH0-001210216]



Rear lid handle release button, Rear lid lock unit, Rear lid central locking motor

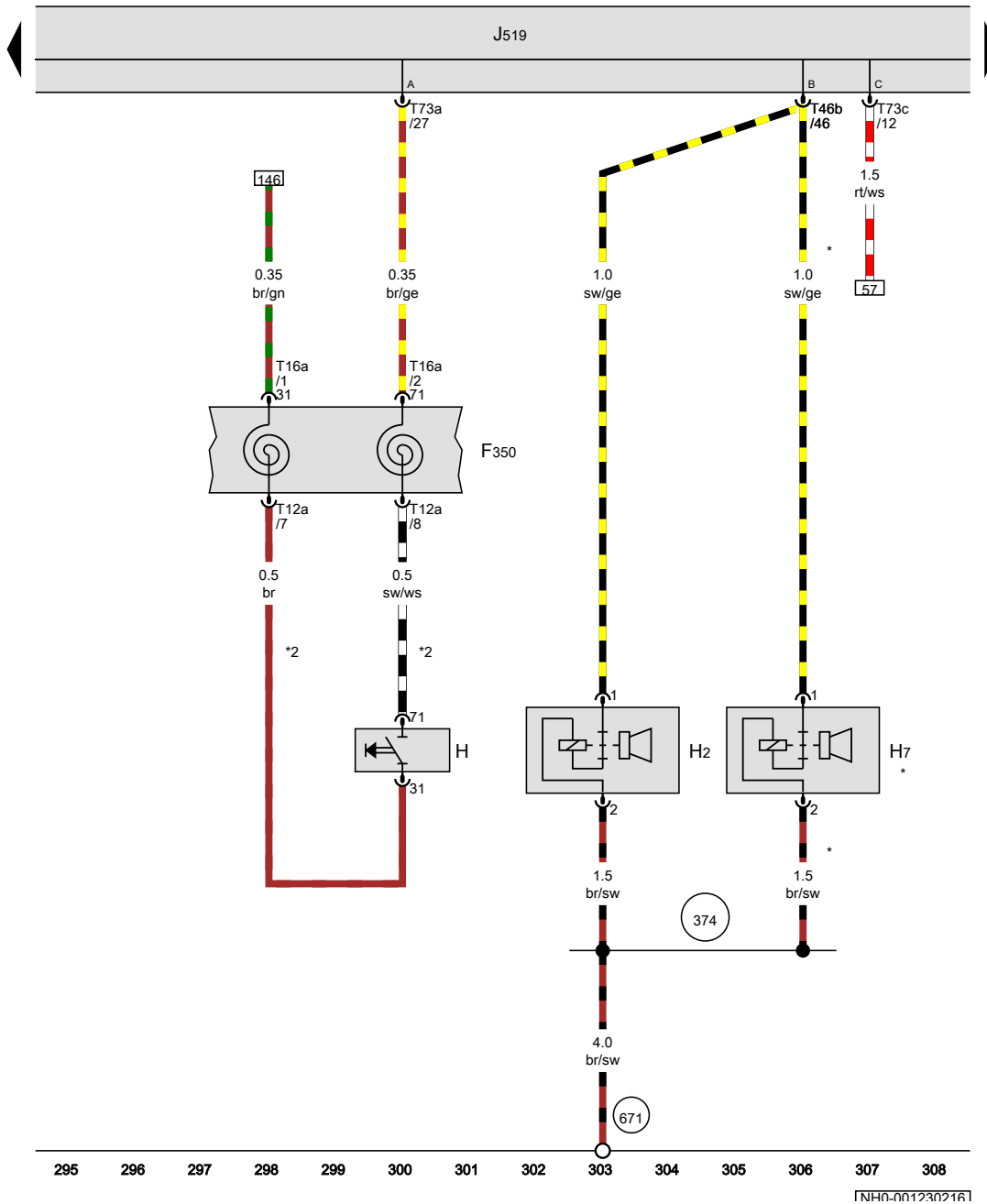
- E234 Rear lid handle release button
- F256 Rear lid lock unit
- J519 Onboard supply control unit
- T4c 4-pin connector
- T10b 10-pin connector
- T46b 46-pin connector, brown
- T73a 73-pin connector, black
- T73c 73-pin connector, black
- V53 Rear lid central locking motor

- 50 Earth point, on left in luggage compartment
- 98 Earth connection, in rear lid wiring harness
- 653 Earth point, on left D-pillar
- B447 Connection (luggage compartment light), in main wiring harness
- Q22 Connection 1, in rear lid wiring harness
- * see fitting locations
- *2 According to equipment
- *3 Only models with no rear window aerial

- ws = white
- sw = black
- ro = red
- rt = red
- br = brown
- gn = green
- bl = blue
- gr = grey
- li = purple
- vi = purple
- ge = yellow
- or = orange
- rs = pink

[NH0-001220216]

Coil connector, Horn plate, Treble horn, Bass horn



- F350 Coil connector
- H Horn plate
- H2 Treble horn
- H7 Bass horn
- J519 Onboard supply control unit
- T12a 12-pin connector
- T16a 16-pin connector
- T46b 46-pin connector, brown
- T73a 73-pin connector, black
- T73c 73-pin connector, black

374 Earth connection 9, in main wiring harness

671 Earth point 1, on front of left longitudinal member

* Only models with dual tone horn

*2 Only models with no multifunction steering wheel

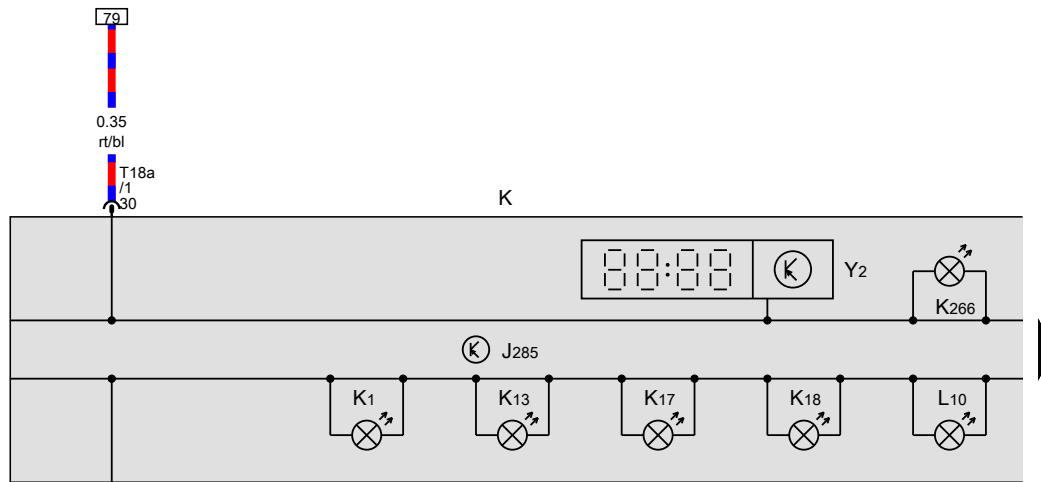
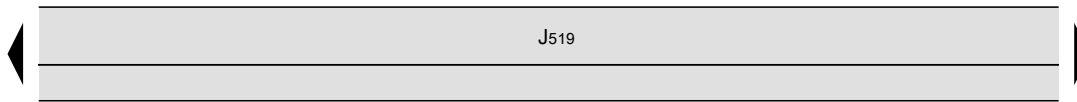
- ws = white
- sw = black
- ro = red
- rt = red
- br = brown
- gn = green
- bl = blue
- gr = grey
- li = purple
- vi = purple
- ge = yellow
- or = orange
- rs = pink

295 296 297 298 299 300 301 302 303 304 305 306 307 308

[NH0-001230216]

Dash panel insert, Digital clock

- J285 Control unit in dash panel insert
- J519 Onboard supply control unit
- K Dash panel insert
- K1 Main beam warning lamp
- K13 Rear fog light warning lamp
- K17 Fog light warning lamp
- K18 Trailer operation warning lamp
- K266 Warning lamp for dipped beams
- L10 Dash panel insert illumination bulb
- T18a 18-pin connector
- Y2 Digital clock



79

0.35
rt/bl
T18a
/1
30

K

J285

T18a
/10
31

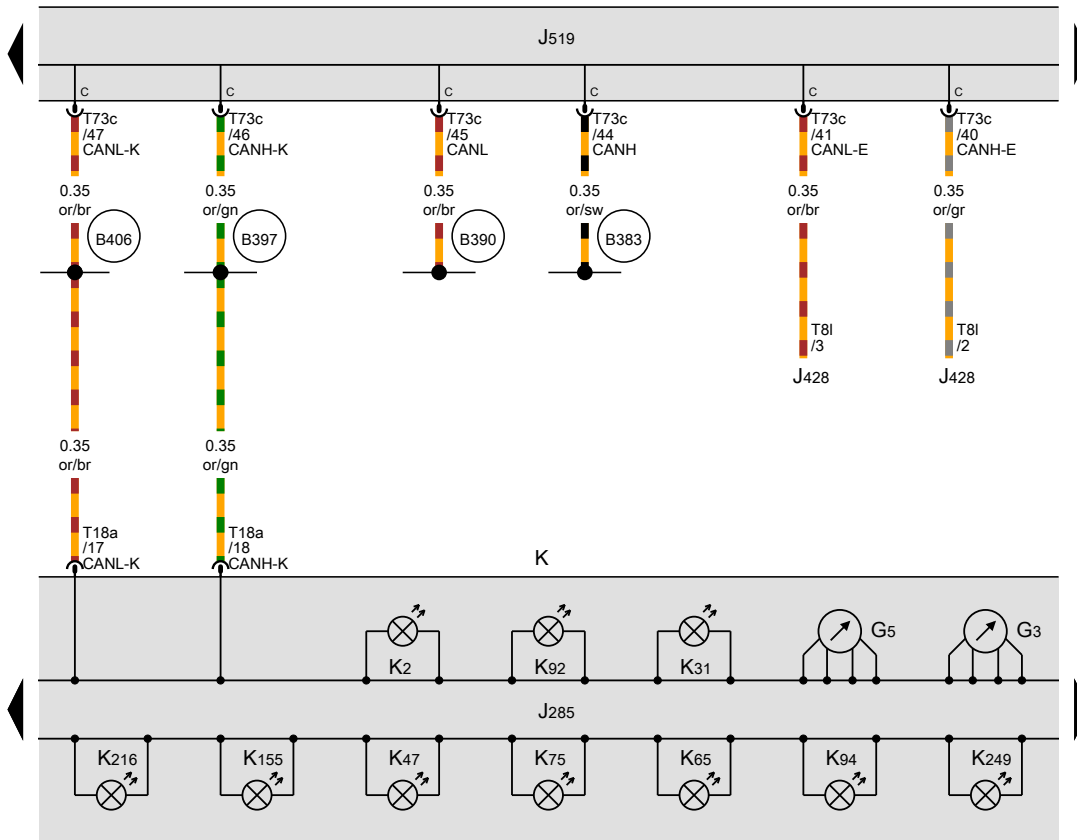
0.5
br/gn

148

- ws = white
- sw = black
- ro = red
- rt = red
- br = brown
- gn = green
- bl = blue
- gr = grey
- li = purple
- vi = purple
- ge = yellow
- or = orange
- rs = pink

309 310 311 312 313 314 315 316 317 318 319 320 321 322

[NH0-001240216]



Coolant temperature gauge, Rev. counter, Dash panel insert

- G3 Coolant temperature gauge
- G5 Rev. counter
- J285 Control unit in dash panel insert
- J428 Adaptive cruise control unit
- J519 Onboard supply control unit
- K Dash panel insert
- K2 Alternator warning lamp
- K31 Cruise control system warning lamp
- K47 ABS warning lamp
- K65 Left turn signal warning lamp
- K75 Airbag warning lamp
- K92 Servotronic warning lamp
- K94 Right turn signal warning lamp
- K155 Warning lamp for electronic stabilisation program and TCS
- K216 Warning lamp 2 for electronic stabilisation program and TCS
- K249 Cold engine warning light
- T81 8-pin connector
- T18a 18-pin connector
- T73c 73-pin connector, black

- (B383) Connection 1 (powertrain CAN bus, high), in main wiring harness
- (B390) Connection 1 (powertrain CAN bus, low), in main wiring harness
- (B397) Connection 1 (convenience CAN bus, high), in main wiring harness
- (B406) Connection 1 (convenience CAN bus, low), in main wiring harness

- ws = white
- sw = black
- ro = red
- rt = red
- br = brown
- gn = green
- bl = blue
- gr = grey
- li = purple
- vi = purple
- ge = yellow
- or = orange
- rs = pink

323 324 325 326 327 328 329 330 331 332 333 334 335 336

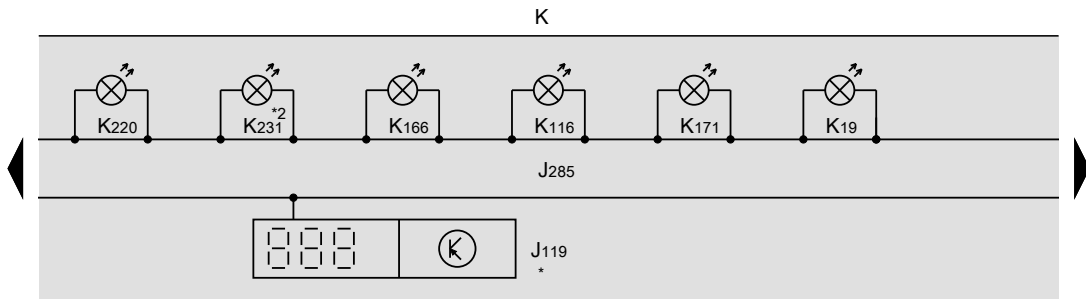
1NH0-0012502161

Ambient temperature sensor, Multifunction indicator, Dash panel insert

- G17 Ambient temperature sensor
- J119 Multifunction indicator
- J285 Control unit in dash panel insert
- J519 Onboard supply control unit
- K Dash panel insert
- K19 Seat belt warning system warning lamp
- K116 Rear lid open warning lamp
- K166 Door open warning lamp
- K171 Bonnet open warning lamp
- K220 Tyre Pressure Loss Indicator warning lamp
- K231 Diesel particulate filter warning lamp
- T46b 46-pin connector, brown

410 Earth connection 1 (sender earth) in main wiring harness

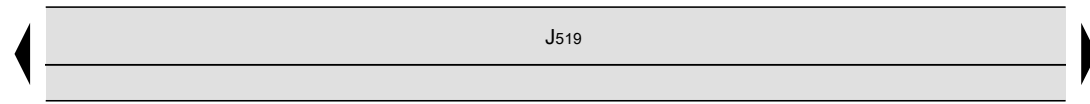
- * Only models with multifunction display
- *2 Only models with diesel particulate filter



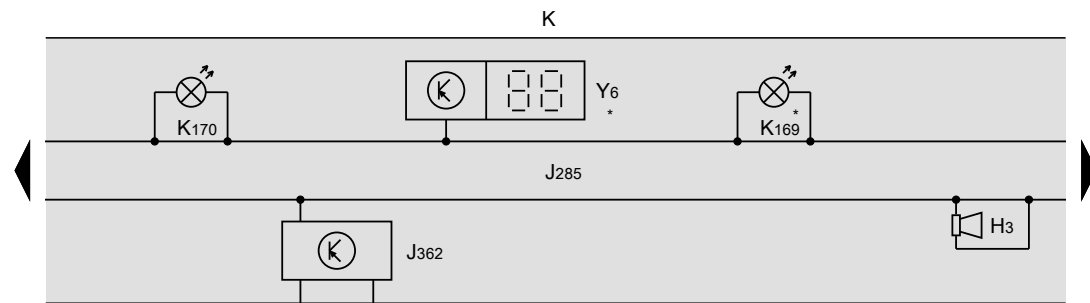
- ws = white
- sw = black
- ro = red
- rt = red
- br = brown
- gn = green
- bl = blue
- gr = grey
- li = purple
- vi = purple
- ge = yellow
- or = orange
- rs = pink

Immobiliser reader coil, Buzzer and gong, Immobiliser control unit, Dash panel insert, Selector lever position display

- D2 Immobiliser reader coil
- H3 Buzzer and gong
- J285 Control unit in dash panel insert
- J362 Immobiliser control unit
- J519 Onboard supply control unit
- K Dash panel insert
- K169 Selector lever lock warning lamp
- K170 Bulb failure warning lamp
- T18a 18-pin connector
- Y6 Selector lever position display
- 410 Earth connection 1 (sender earth) in main wiring harness
- * Only models with automatic gearbox



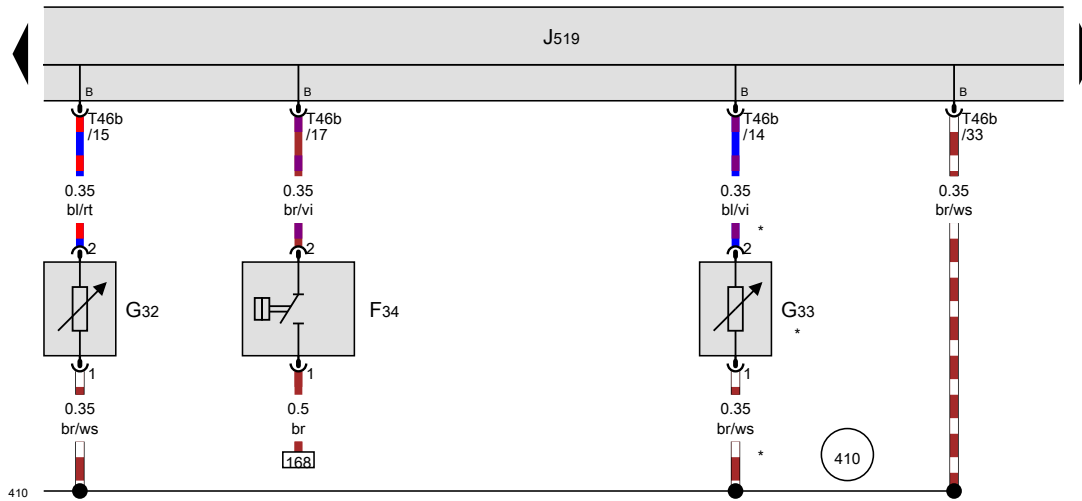
410



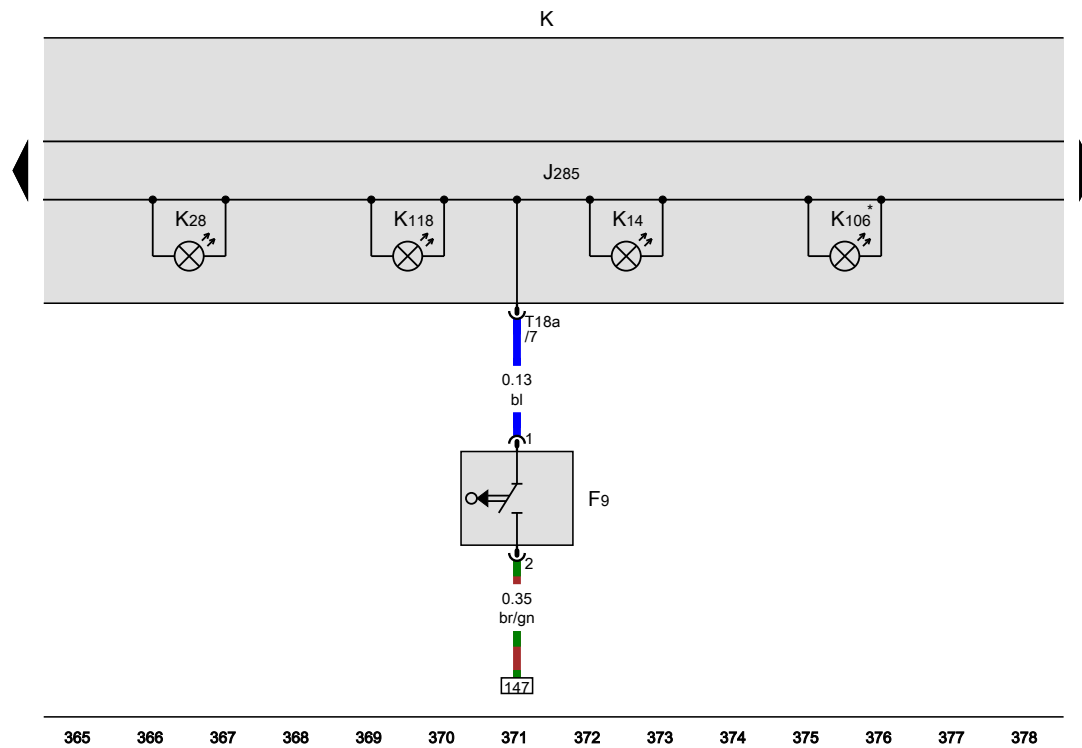
351 352 353 354 355 356 357 358 359 360 361 362 363 364
[NH0-001270216]

- ws = white
- sw = black
- ro = red
- rt = red
- br = brown
- gn = green
- bl = blue
- gr = grey
- li = purple
- vi = purple
- ge = yellow
- or = orange
- rs = pink

Handbrake warning switch, Brake fluid level warning contact, Coolant shortage indicator sender, Windscreen washer fluid level sender, Dash panel insert



- F9 Handbrake warning switch
 - F34 Brake fluid level warning contact
 - G32 Coolant shortage indicator sender
 - G33 Windscreen washer fluid level sender
 - J285 Control unit in dash panel insert
 - J519 Onboard supply control unit
 - K Dash panel insert
 - K14 Handbrake warning lamp
 - K28 Coolant temperature and coolant shortage warning lamp
 - K106 Washer fluid low warning lamp
 - K118 Brake system warning lamp
 - T18a 18-pin connector
 - T46b 46-pin connector, brown
- 410 Earth connection 1 (sender earth) in main wiring harness
- * Special equipment



- ws = white
- sw = black
- ro = red
- rt = red
- br = brown
- gn = green
- bl = blue
- gr = grey
- li = purple
- vi = purple
- ge = yellow
- or = orange
- rs = pink

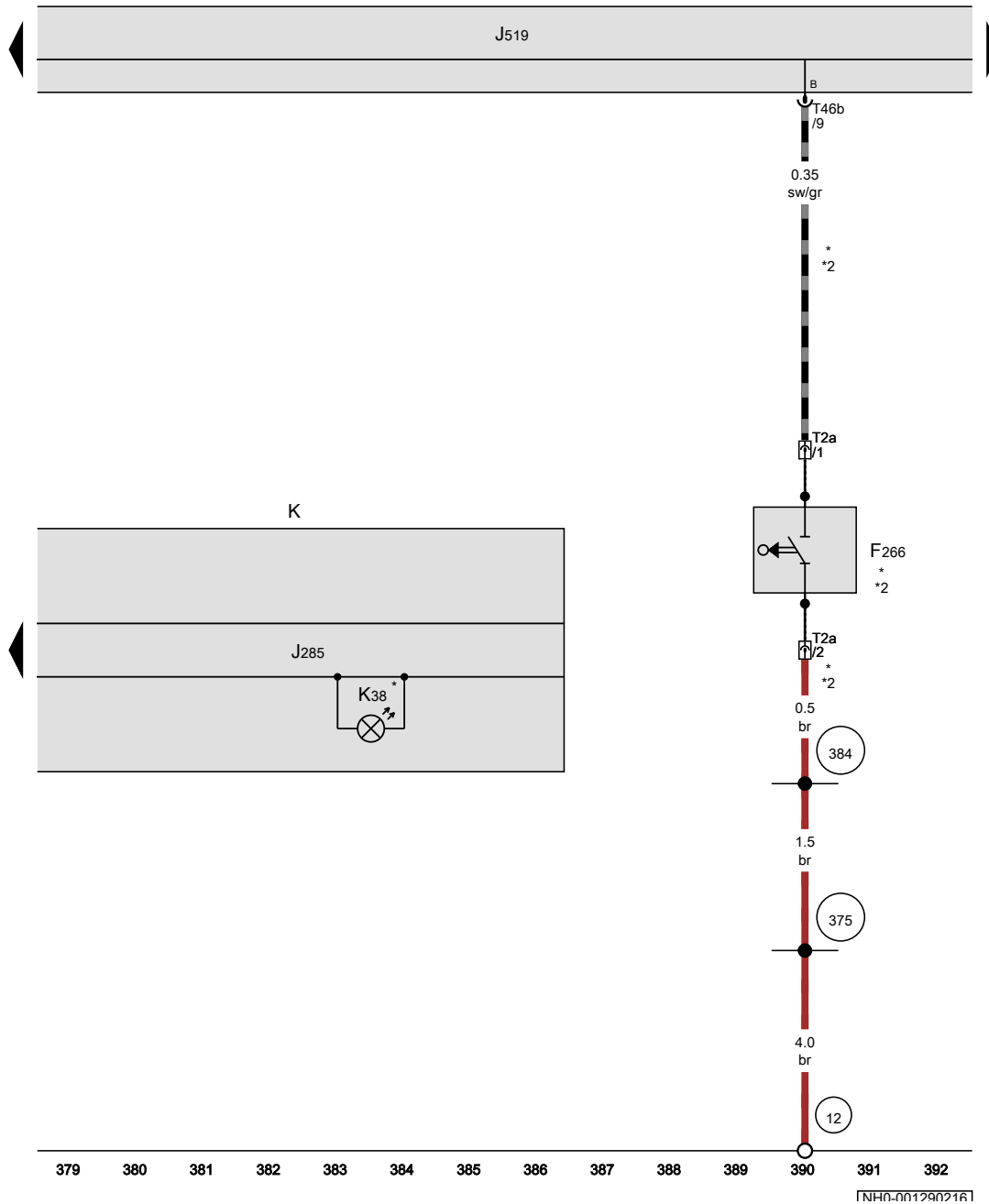
[NH0-001280216]

Bonnet contact switch, Dash panel insert

- F266 Bonnet contact switch
- J285 Control unit in dash panel insert
- J519 Onboard supply control unit
- K Dash panel insert
- K38 Oil level warning lamp
- T2a 2-pin connector
- T46b 46-pin connector, brown

- 12 Earth point, on left in engine compartment
- 375 Earth connection 10, in main wiring harness
- 384 Earth connection 19, in main wiring harness

- * Only models with extended servicing intervals (ESI)
- *2 For models with anti-theft alarm system

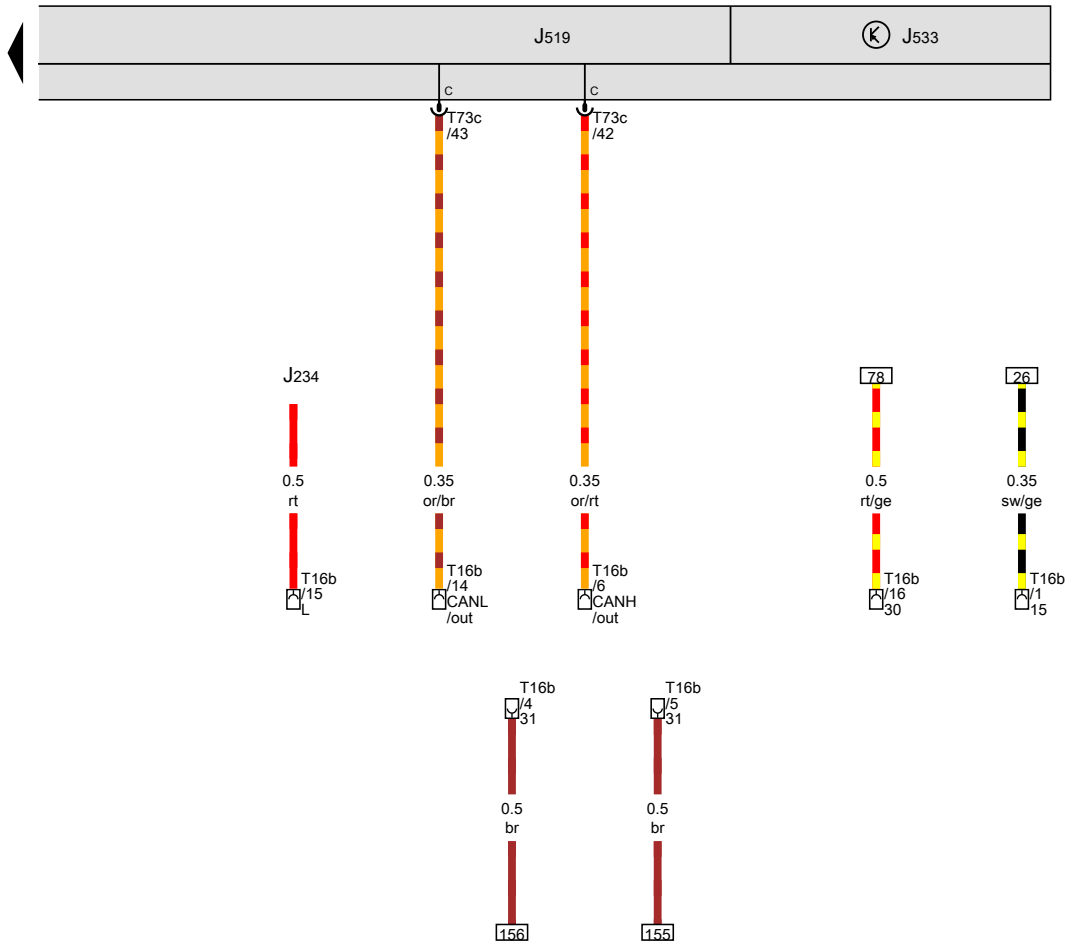


- ws = white
- sw = black
- ro = red
- rt = red
- br = brown
- gn = green
- bl = blue
- gr = grey
- li = purple
- vi = purple
- ge = yellow
- or = orange
- rs = pink

[NH0-001290216]

Data bus diagnostic interface, 16-pin connector

- J234 Airbag control unit
- J519 Onboard supply control unit
- J533 Data bus diagnostic interface
- T16b 16-pin connector, on diagnostic connection
- T73c 73-pin connector, black



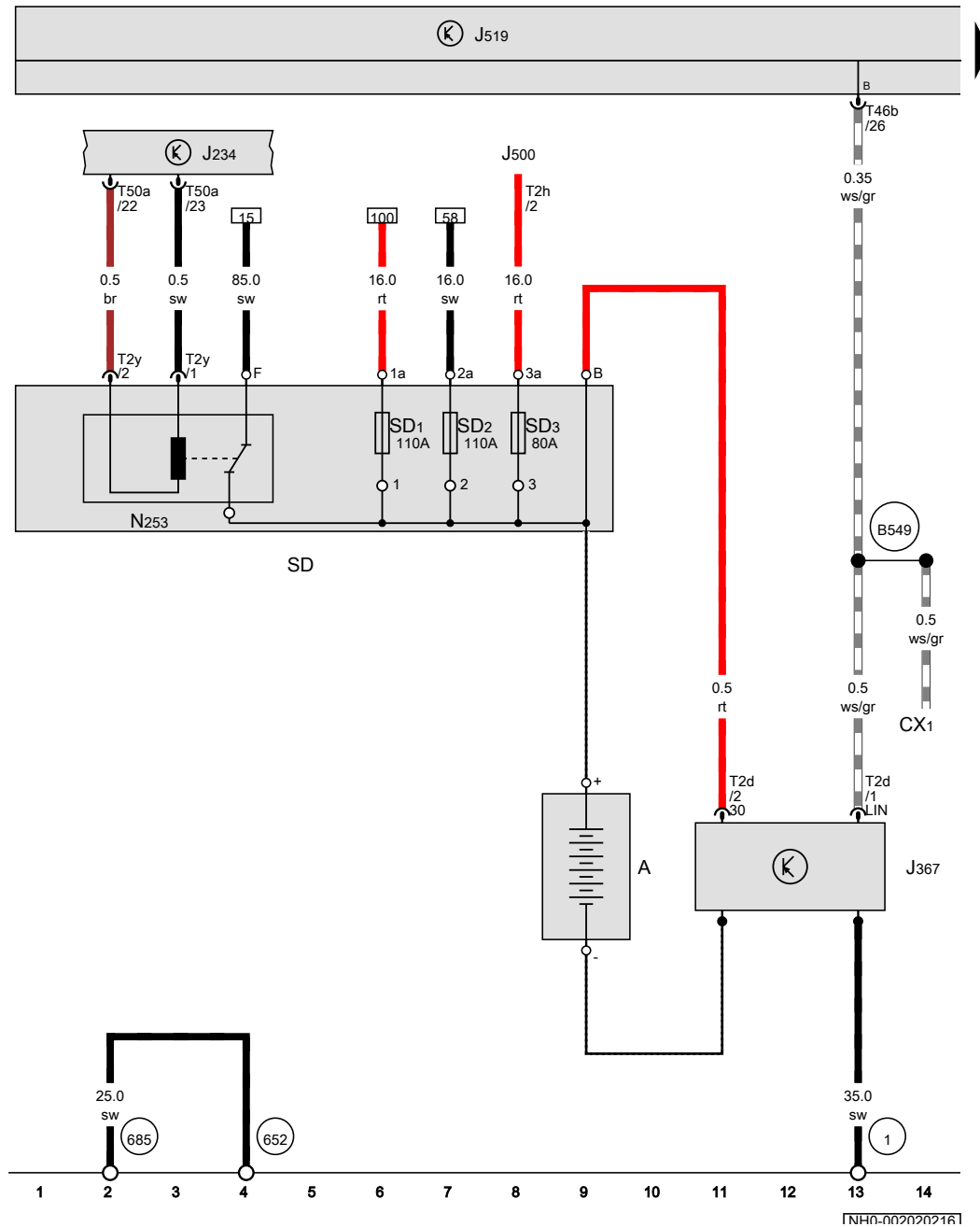
- ws = white
- sw = black
- ro = red
- rt = red
- br = brown
- gn = green
- bl = blue
- gr = grey
- li = purple
- vi = purple
- ge = yellow
- or = orange
- rs = pink

393 394 395 396 397 398 399 400 401 402 403 404 405 406

[NH0-001300216]

Basic equipment , CXMA

From May 2015



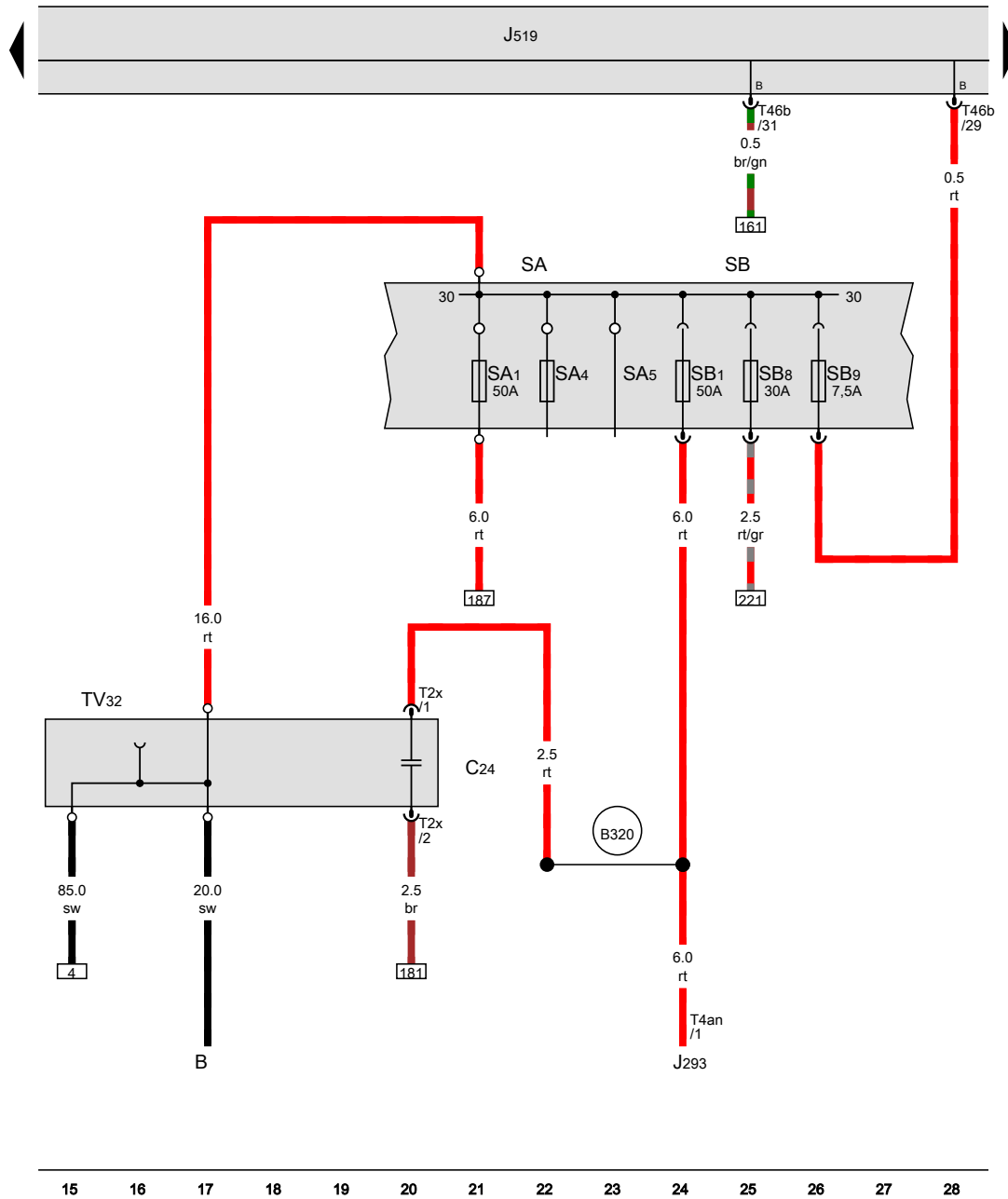
Battery, Airbag control unit, Battery monitor control unit, Battery isolation igniter, Fuse holder D

- A Battery
- CX1 Alternator with voltage regulator
- J234 Airbag control unit
- J367 Battery monitor control unit
- J500 Power steering control unit
- J519 Onboard supply control unit
- N253 Battery isolation igniter
- SD Fuse holder D
- SD1 Fuse 1 on fuse holder D
- SD2 Fuse 2 on fuse holder D
- SD3 Fuse 3 on fuse holder D
- T2d 2-pin connector
- T2h 2-pin connector
- T2y 2-pin connector
- T46b 46-pin connector, brown
- T50a 50-pin connector

- 1 Earth strap, battery - body
- 652 Earth point, engine and gearbox earth
- 685 Earth point 1 at front of right longitudinal member
- B549 Connection 2 (LIN bus) in main wiring harness

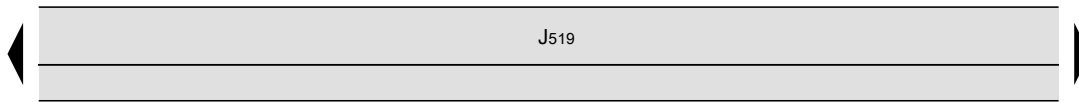
- ws = white
- sw = black
- ro = red
- rt = red
- br = brown
- gn = green
- bl = blue
- gr = grey
- li = purple
- vi = purple
- ge = yellow
- or = orange
- rs = pink

Fuse holder A, Fuse holder B, Jump start connection



- B Starter
- C24 Suppression filter
- J293 Radiator fan control unit
- J519 Onboard supply control unit
- SA Fuse holder A
- SA1 Fuse 1 in fuse holder A
- SA4 Fuse 4 in fuse holder A
- SA5 Fuse 5 in fuse holder A
- SB Fuse holder B
- SB1 Fuse 1 on fuse holder B
- SB8 Fuse 8 on fuse holder B
- SB9 Fuse 9 on fuse holder B
- T2x 2-pin connector
- T4an 4-pin connector
- T46b 46-pin connector, brown
- TV32 Jump start connection
- B320** Positive connection 6 (30a) in main wiring harness

- ws = white
- sw = black
- ro = red
- rt = red
- br = brown
- gn = green
- bl = blue
- gr = grey
- li = purple
- vi = purple
- ge = yellow
- or = orange
- rs = pink



Fuse holder C

- E1 Light switch
- E45 Cruise control system switch
- J234 Airbag control unit
- J293 Radiator fan control unit
- J519 Onboard supply control unit
- SC Fuse holder C
- SC29 Fuse 29 on fuse holder C
- SC30 Fuse 30 on fuse holder C
- SC31 Fuse 31 on fuse holder C
- SC32 Fuse 32 on fuse holder C
- T10e 10-pin connector

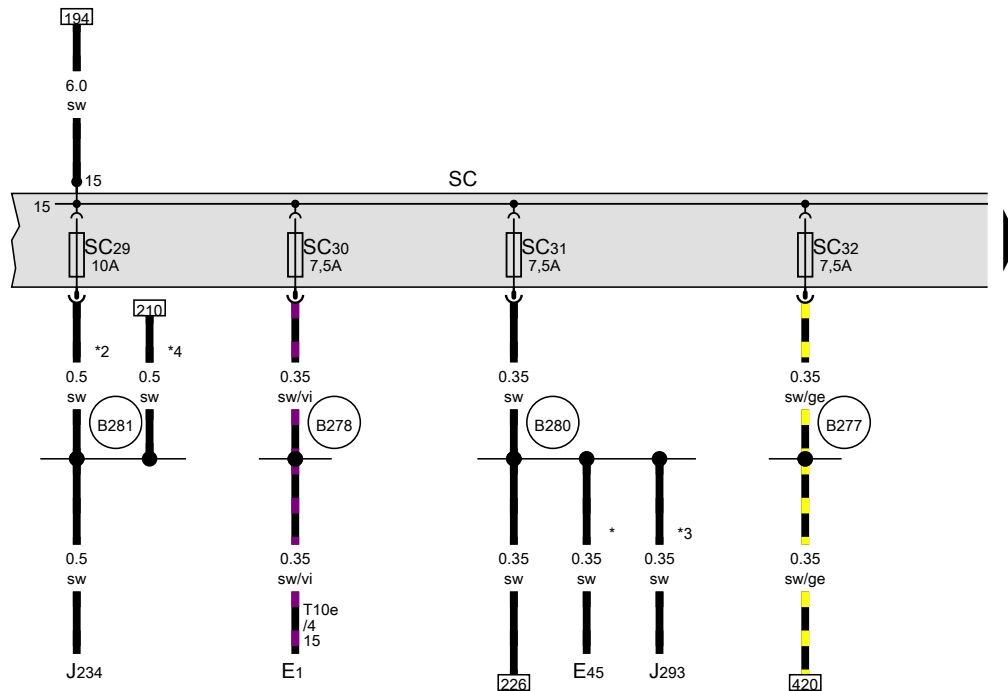
(B277) Positive connection 1 (15a) in main wiring harness

(B278) Positive connection 2 (15a) in main wiring harness

(B280) Positive connection 4 (15a) in main wiring harness

(B281) Positive connection 5 (15a) in main wiring harness

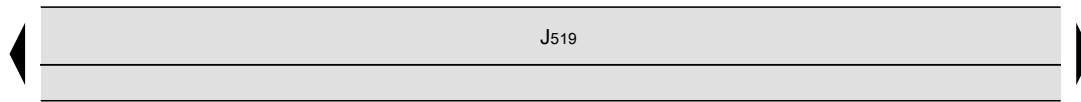
- * Only models with cruise control system (CCS)
- *2 Only models with entry and start authorisation
- *3 According to equipment
- *4 Only models with no entry and start authorisation



- ws = white
- sw = black
- ro = red
- rt = red
- br = brown
- gn = green
- bl = blue
- gr = grey
- li = purple
- vi = purple
- ge = yellow
- or = orange
- rs = pink

29 30 31 32 33 34 35 36 37 38 39 40 41 42

[NH0-002040216]

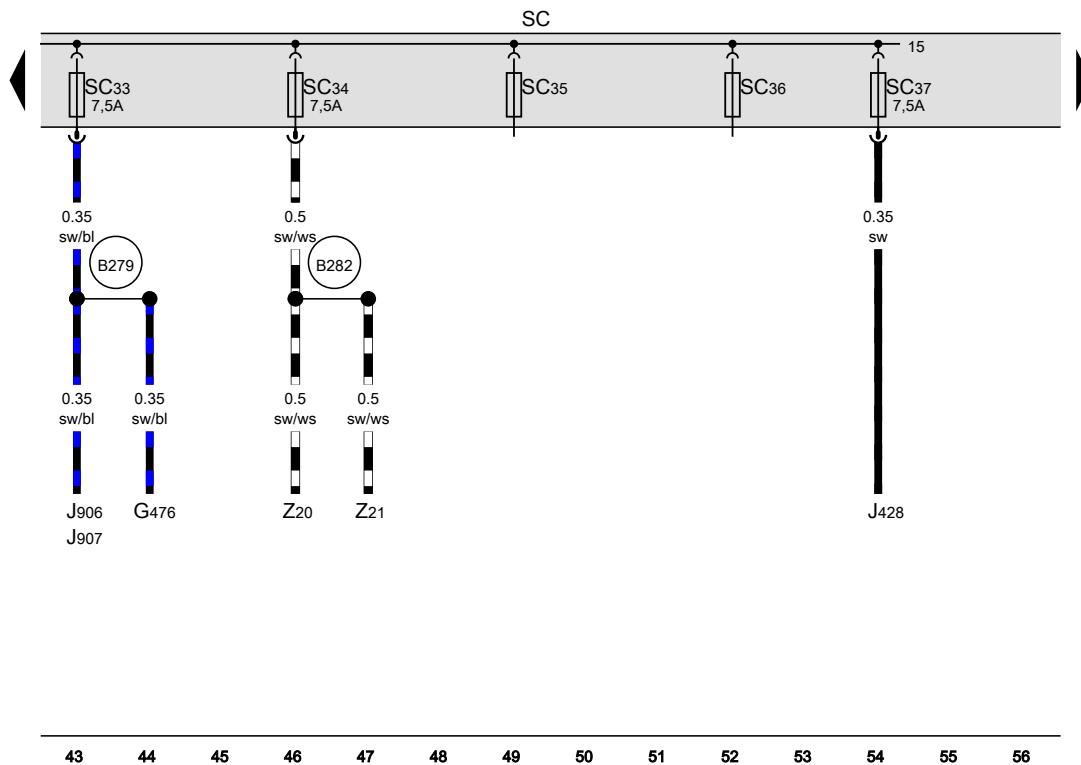


Fuse holder C

- G476 Clutch position sender
- J428 Adaptive cruise control unit
- J519 Onboard supply control unit
- J906 Starter relay 1
- J907 Starter relay 2
- SC Fuse holder C
- SC33 Fuse 33 on fuse holder C
- SC34 Fuse 34 on fuse holder C
- SC35 Fuse 35 on fuse holder C
- SC36 Fuse 36 on fuse holder C
- SC37 Fuse 37 on fuse holder C
- Z20 Left washer jet heater element
- Z21 Right washer jet heater element

B279 Positive connection 3 (15a) in main wiring harness

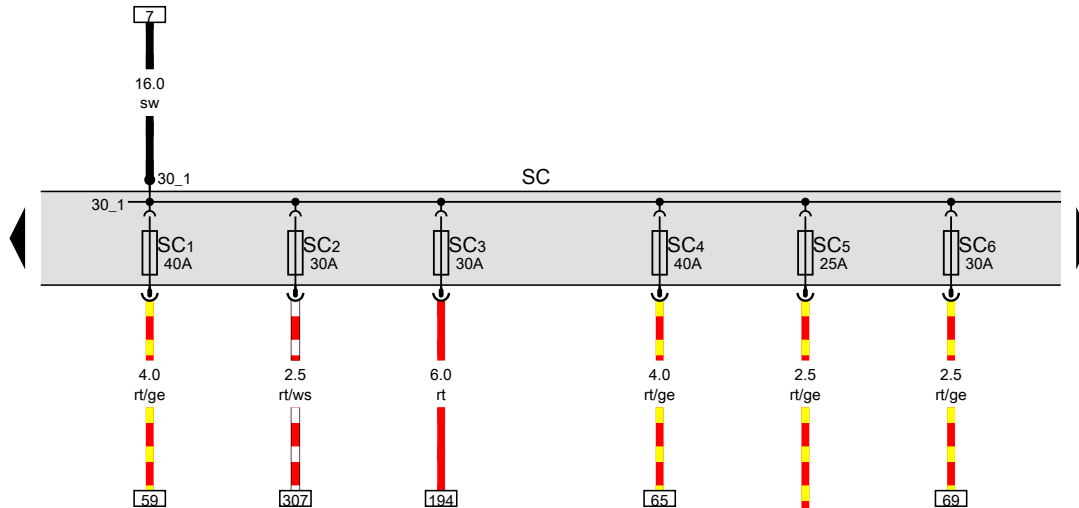
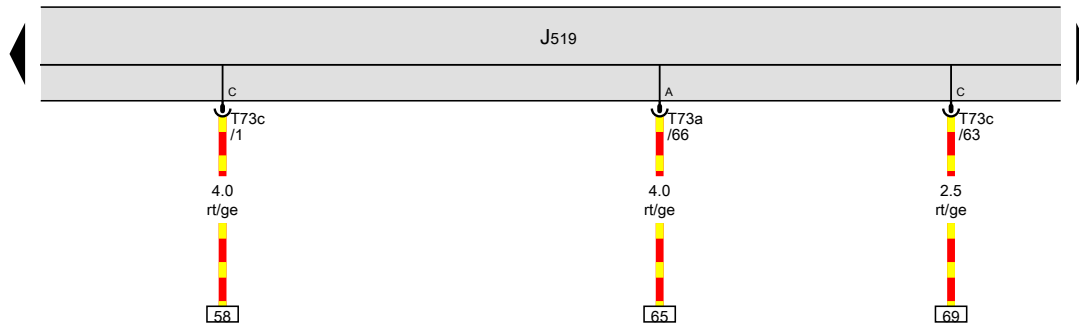
B282 Positive connection 6 (15a) in main wiring harness



- ws = white
- sw = black
- ro = red
- rt = red
- br = brown
- gn = green
- bl = blue
- gr = grey
- li = purple
- vi = purple
- ge = yellow
- or = orange
- rs = pink

43 44 45 46 47 48 49 50 51 52 53 54 55 56

[NH0-002050216]



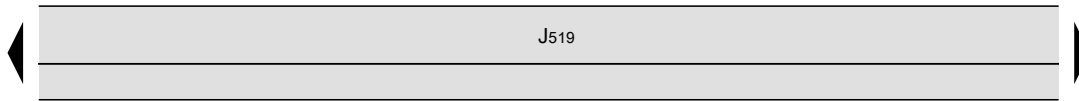
Fuse holder C

- J519 Onboard supply control unit
- SC Fuse holder C
- SC1 Fuse 1 on fuse holder C
- SC2 Fuse 2 on fuse holder C
- SC3 Fuse 3 on fuse holder C
- SC4 Fuse 4 on fuse holder C
- SC5 Fuse 5 on fuse holder C
- SC6 Fuse 6 on fuse holder C
- T73a 73-pin connector, black
- T73c 73-pin connector, black
- V147 Driver side window regulator motor

- ws = white
- sw = black
- ro = red
- rt = red
- br = brown
- gn = green
- bl = blue
- gr = grey
- li = purple
- vi = purple
- ge = yellow
- or = orange
- rs = pink

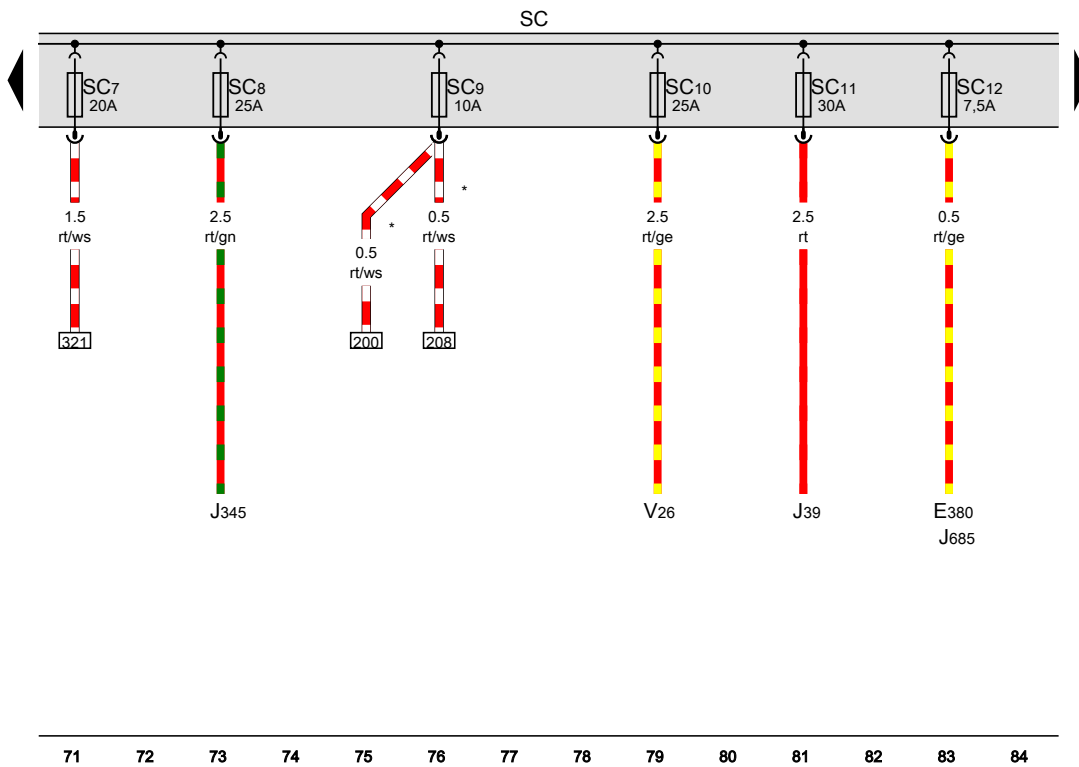
57 58 59 60 61 62 63 64 65 66 67 68 69 70

1NH0-002060216



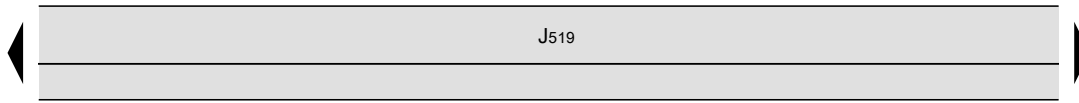
Fuse holder C

- E380 Multimedia system operating unit
- J39 Headlight washer system relay
- J345 Trailer detector control unit, on right in luggage compartment
- J519 Onboard supply control unit
- J685 Display unit for front information display and operating unit control unit
- SC Fuse holder C
- SC7 Fuse 7 on fuse holder C
- SC8 Fuse 8 on fuse holder C
- SC9 Fuse 9 on fuse holder C
- SC10 Fuse 10 on fuse holder C
- SC11 Fuse 11 on fuse holder C
- SC12 Fuse 12 on fuse holder C
- V26 Rear left window regulator motor
- * Only models with no entry and start authorisation



- ws = white
- sw = black
- ro = red
- rt = red
- br = brown
- gn = green
- bl = blue
- gr = grey
- li = purple
- vi = purple
- ge = yellow
- or = orange
- rs = pink

[NH0-002070216]



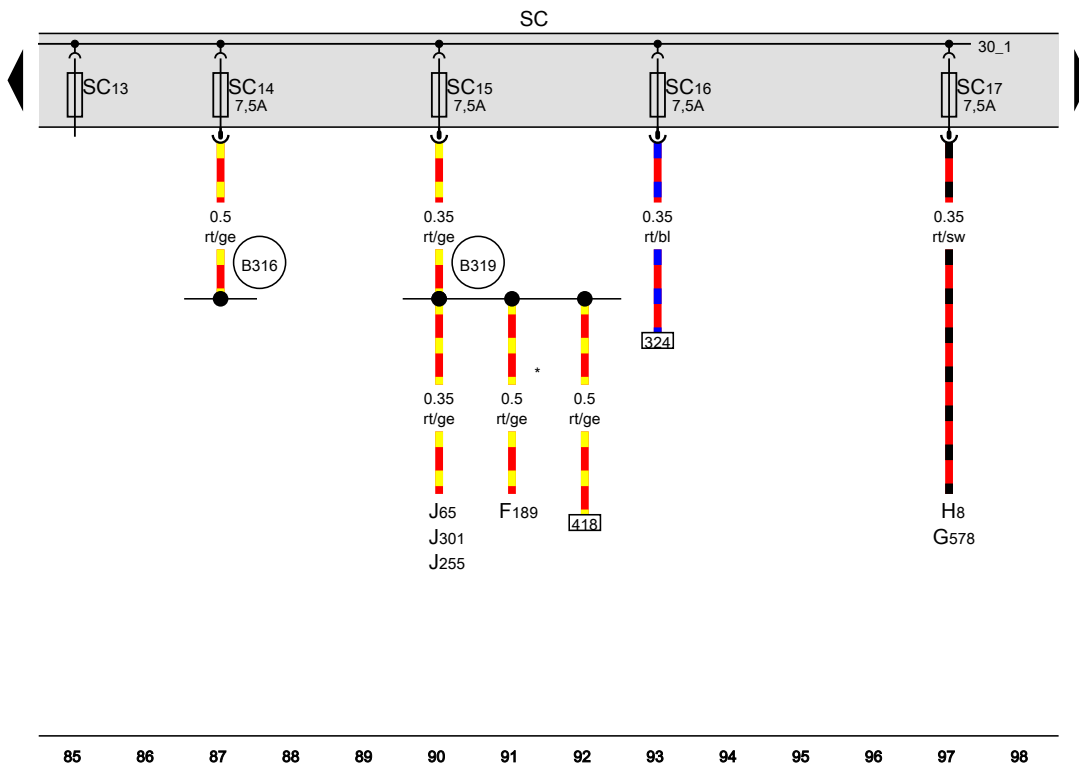
Fuse holder C

- F189 Tiptronic switch
- G578 Anti-theft alarm sensor
- H8 Anti-theft alarm system horn
- J65 Heater control unit
- J255 Climatronic control unit
- J301 Air conditioning system control unit
- J519 Onboard supply control unit
- SC Fuse holder C
- SC13 Fuse 13 on fuse holder C
- SC14 Fuse 14 on fuse holder C
- SC15 Fuse 15 on fuse holder C
- SC16 Fuse 16 on fuse holder C
- SC17 Fuse 17 on fuse holder C

B316 Positive connection 2 (30a) in main wiring harness

B319 Positive connection 5 (30a) in main wiring harness

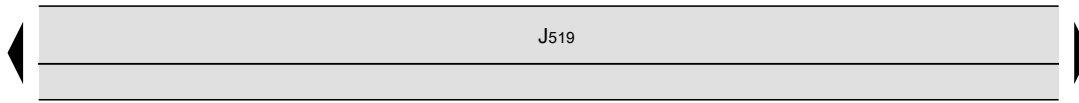
* Only models with automatic gearbox



- ws = white
- sw = black
- ro = red
- rt = red
- br = brown
- gn = green
- bl = blue
- gr = grey
- li = purple
- vi = purple
- ge = yellow
- or = orange
- rs = pink

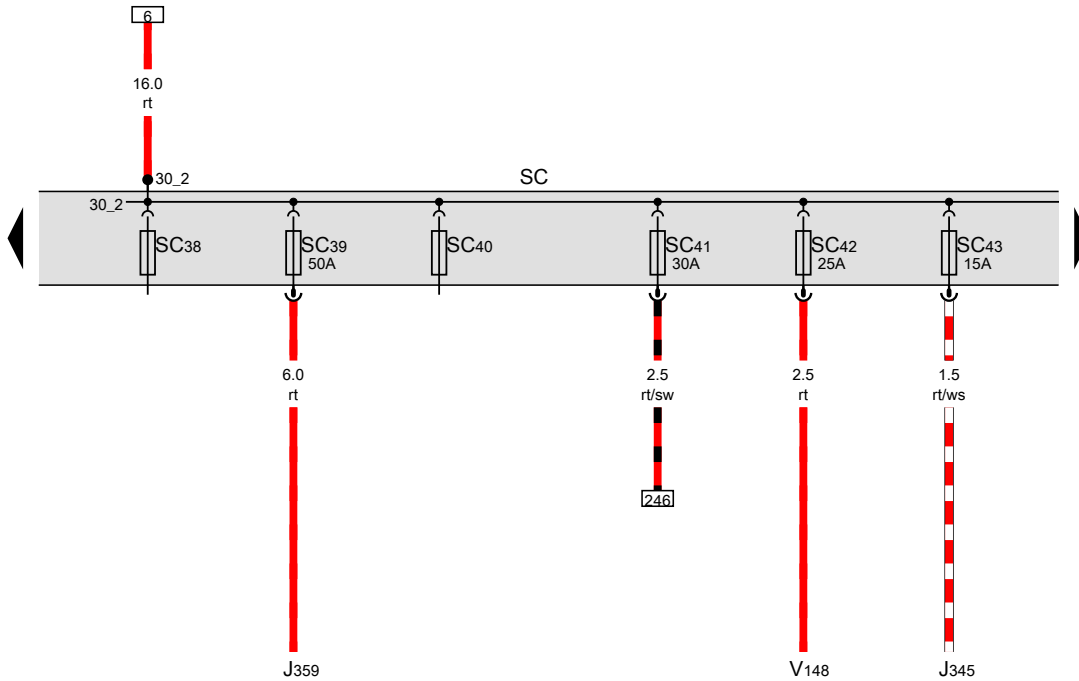
85 86 87 88 89 90 91 92 93 94 95 96 97 98

[NH0-002080216]



Fuse holder C

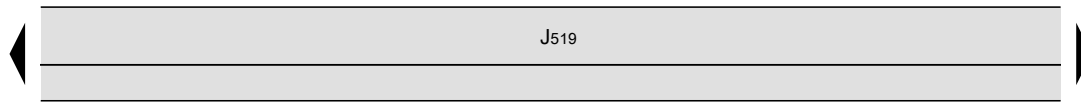
- J345 Trailer detector control unit, on right in luggage compartment
- J359 Low heat output relay
- J519 Onboard supply control unit
- SC Fuse holder C
- SC38 Fuse 38 on fuse holder C
- SC39 Fuse 39 on fuse holder C
- SC40 Fuse 40 on fuse holder C
- SC41 Fuse 41 on fuse holder C
- SC42 Fuse 42 on fuse holder C
- SC43 Fuse 43 on fuse holder C
- V148 Front passenger side window regulator motor



- ws = white
- sw = black
- ro = red
- rt = red
- br = brown
- gn = green
- bl = blue
- gr = grey
- li = purple
- vi = purple
- ge = yellow
- or = orange
- rs = pink

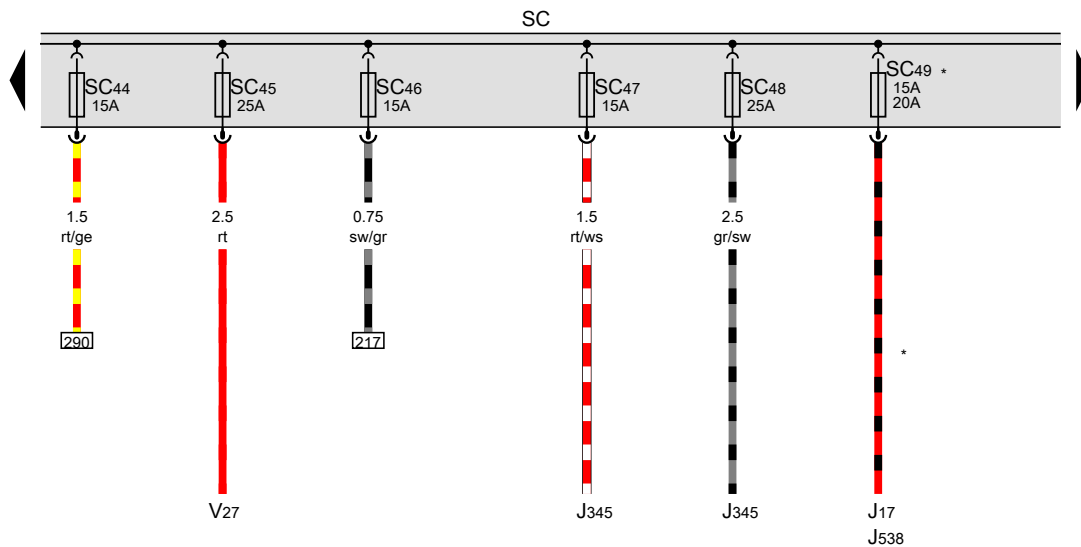
99 100 101 102 103 104 105 106 107 108 109 110 111 112

[NH0-002090216]



Fuse holder C

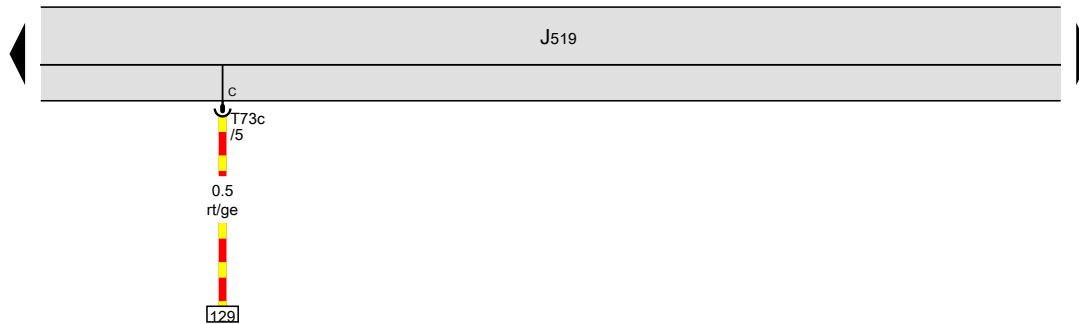
- J17 Fuel pump relay
- J345 Trailer detector control unit, on right in luggage compartment
- J519 Onboard supply control unit
- J538 Fuel pump control unit
- SC Fuse holder C
- SC44 Fuse 44 on fuse holder C
- SC45 Fuse 45 on fuse holder C
- SC46 Fuse 46 on fuse holder C
- SC47 Fuse 47 on fuse holder C
- SC48 Fuse 48 on fuse holder C
- SC49 Fuse 49 on fuse holder C
- V27 Rear right window regulator motor
- * see applicable current flow diagram for engine



- ws = white
- sw = black
- ro = red
- rt = red
- br = brown
- gn = green
- bl = blue
- gr = grey
- li = purple
- vi = purple
- ge = yellow
- or = orange
- rs = pink

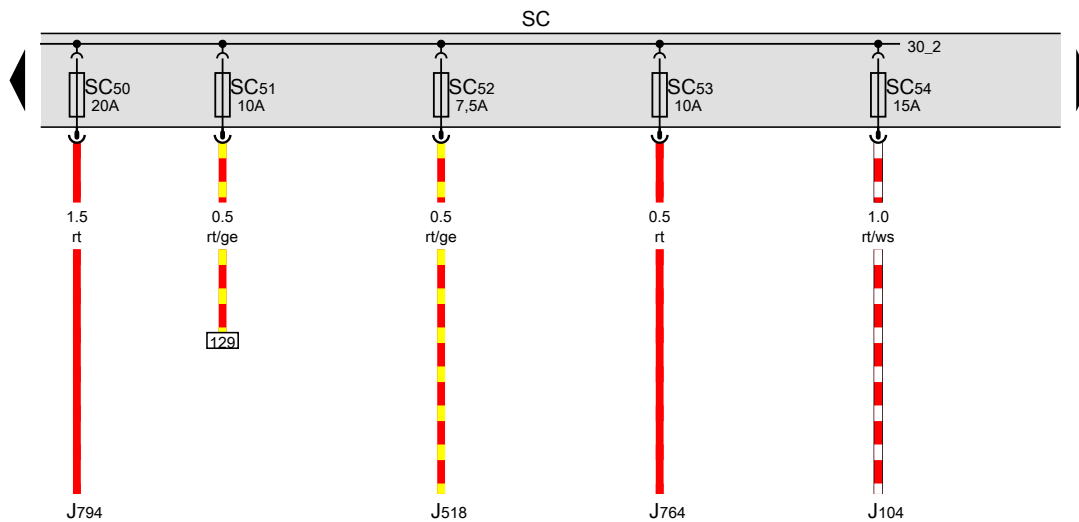
113 114 115 116 117 118 119 120 121 122 123 124 125 126

[NH0-002100216]



Fuse holder C

- J104 ABS control unit
- J518 Entry and start authorisation control unit
- J519 Onboard supply control unit
- J764 Control unit for electronic steering column lock
- J794 Control unit 1 for information electronics
- SC Fuse holder C
- SC50 Fuse 50 on fuse holder C
- SC51 Fuse 51 on fuse holder C
- SC52 Fuse 52 on fuse holder C
- SC53 Fuse 53 on fuse holder C
- SC54 Fuse 54 on fuse holder C
- T73c 73-pin connector, black



- ws = white
- sw = black
- ro = red
- rt = red
- br = brown
- gn = green
- bl = blue
- gr = grey
- li = purple
- vi = purple
- ge = yellow
- or = orange
- rs = pink

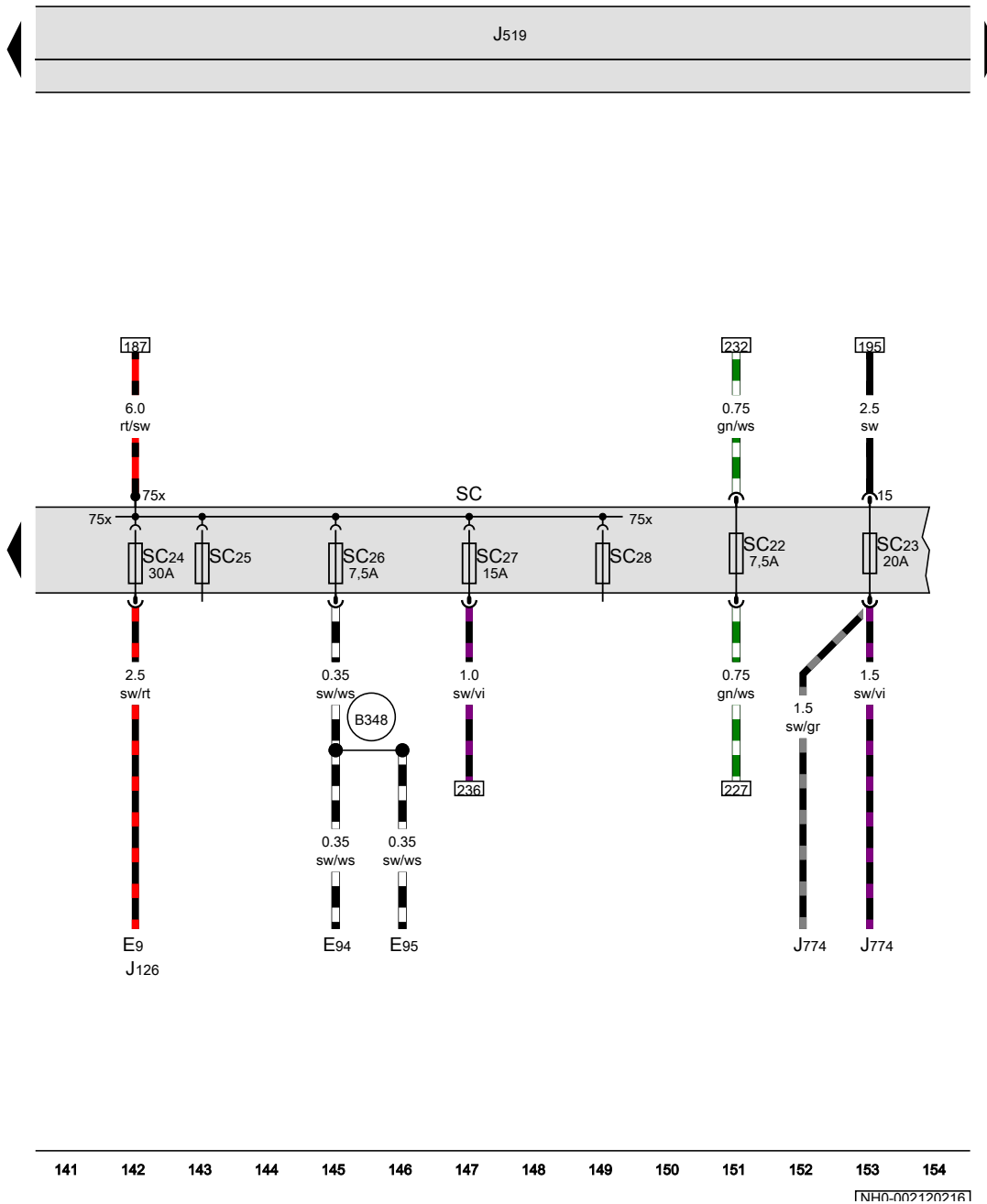
127 128 129 130 131 132 133 134 135 136 137 138 139 140

[NH0-002110216]

Fuse holder C

- E9 Fresh air blower switch
- E94 Heated driver seat regulator
- E95 Heated front passenger seat regulator
- J126 Fresh air blower control unit
- J519 Onboard supply control unit
- J774 Heated front seats control unit, behind dash panel, centre
- SC Fuse holder C
- SC22 Fuse 22 on fuse holder C
- SC23 Fuse 23 on fuse holder C
- SC24 Fuse 24 on fuse holder C
- SC25 Fuse 25 on fuse holder C
- SC26 Fuse 26 on fuse holder C
- SC27 Fuse 27 on fuse holder C
- SC28 Fuse 28 on fuse holder C

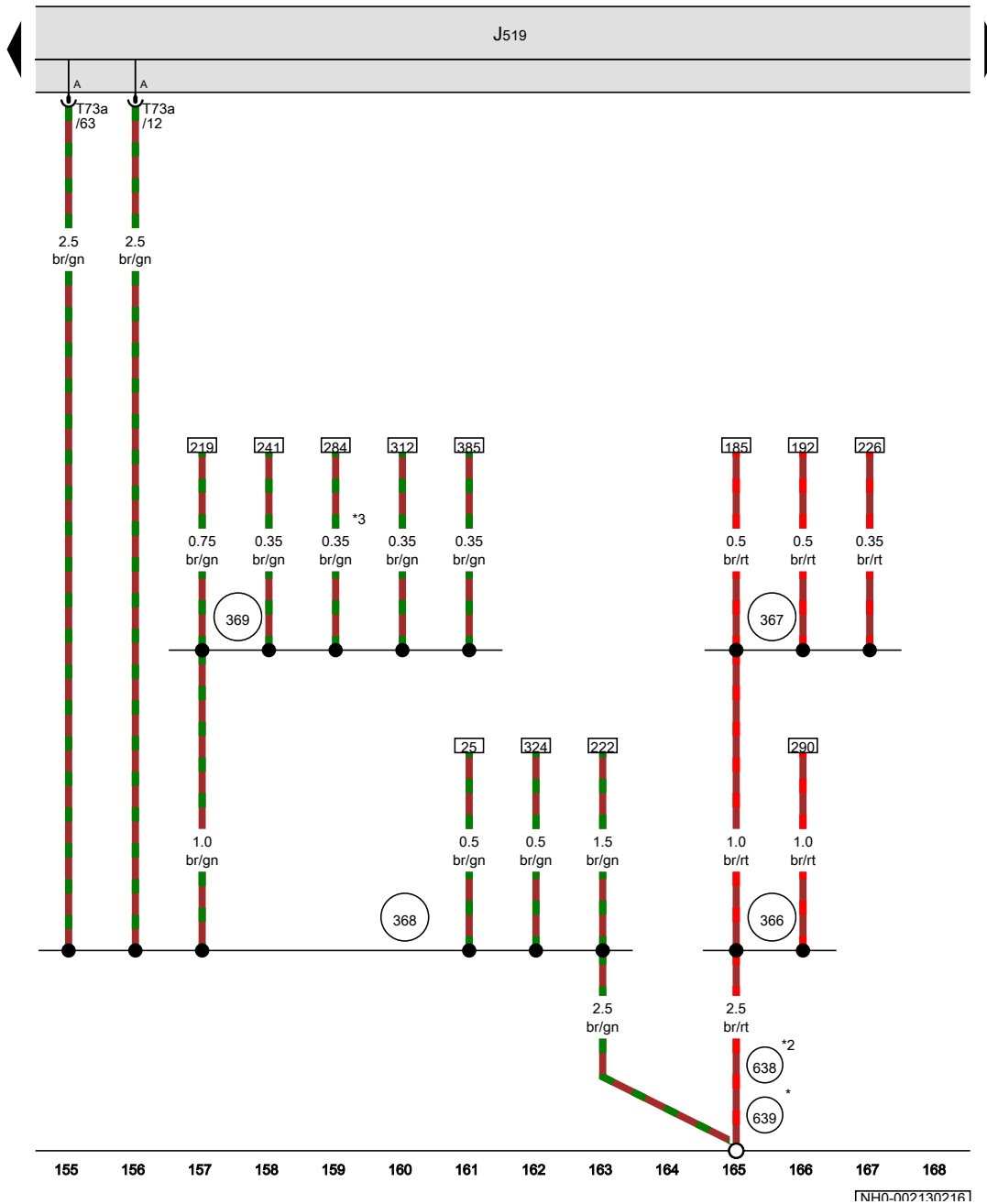
B348 Connection 1 (75a), in main wiring harness



- ws = white
- sw = black
- ro = red
- rt = red
- br = brown
- gn = green
- bl = blue
- gr = grey
- li = purple
- vi = purple
- ge = yellow
- or = orange
- rs = pink

141 142 143 144 145 146 147 148 149 150 151 152 153 154

[NH0-002120216]

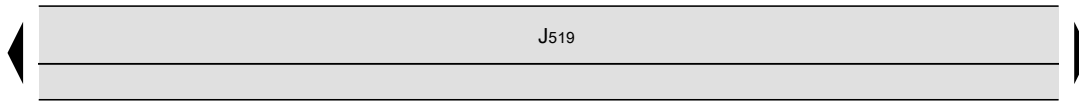


J519 Onboard supply control unit
 T73a 73-pin connector, black

- 366 Earth connection 1, in main wiring harness
- 367 Earth connection 2, in main wiring harness
- 368 Earth connection 3, in main wiring harness
- 369 Earth connection 4, in main wiring harness
- 638 Earth point, on right A-pillar
- 639 Earth point, left A-pillar

* Only left-hand drive models
 *2 Only right-hand drive models
 *3 Special equipment

- ws = white
- sw = black
- ro = red
- rt = red
- br = brown
- gn = green
- bl = blue
- gr = grey
- li = purple
- vi = purple
- ge = yellow
- or = orange
- rs = pink



J519 Onboard supply control unit

12 Earth point, on left in engine compartment

370 Earth connection 5, in main wiring harness

372 Earth connection 7, in main wiring harness

377 Earth connection 12, in main wiring harness

378 Earth connection 13, in main wiring harness

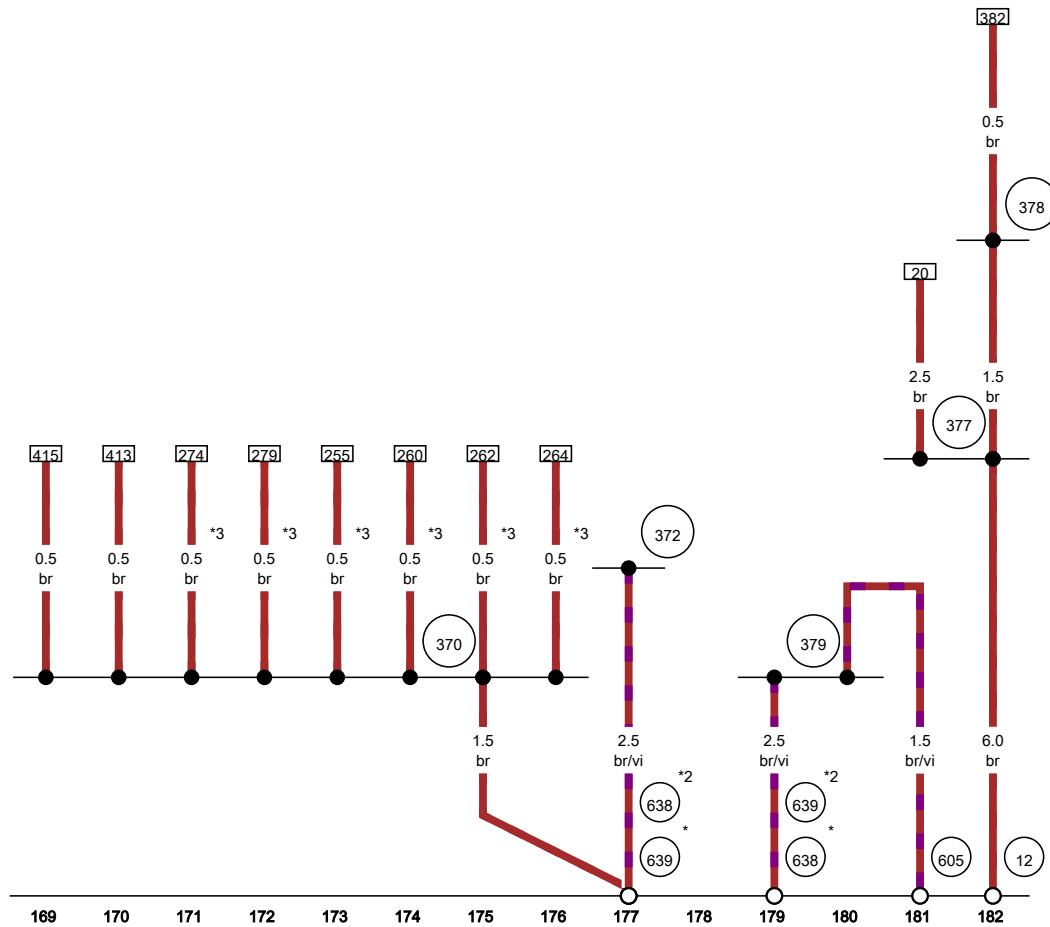
379 Earth connection 14, in main wiring harness

605 Earth point, on top end of steering column

638 Earth point, on right A-pillar

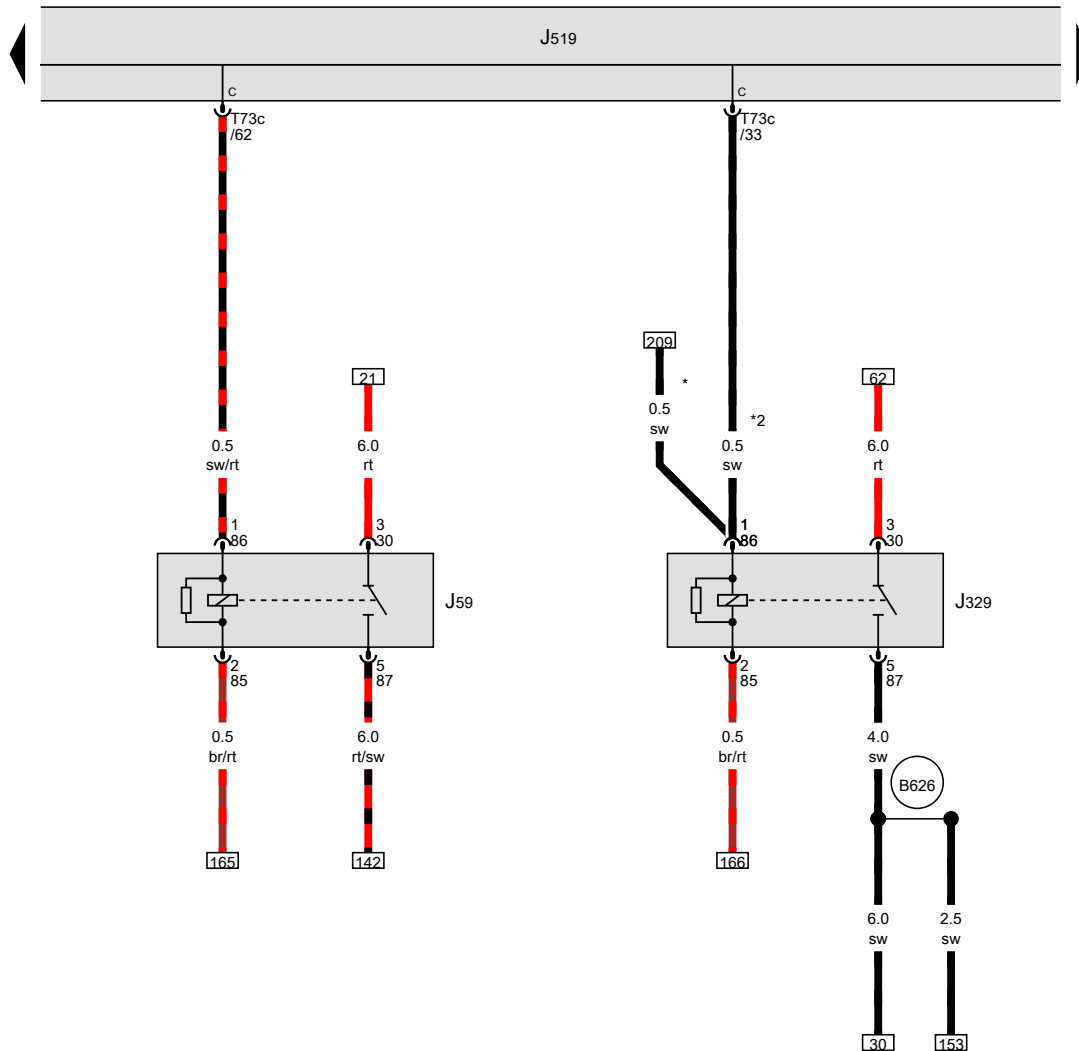
639 Earth point, left A-pillar

- * Only left-hand drive models
- *2 Only right-hand drive models
- *3 According to equipment



- ws = white
- sw = black
- ro = red
- rt = red
- br = brown
- gn = green
- bl = blue
- gr = grey
- li = purple
- vi = purple
- ge = yellow
- or = orange
- rs = pink

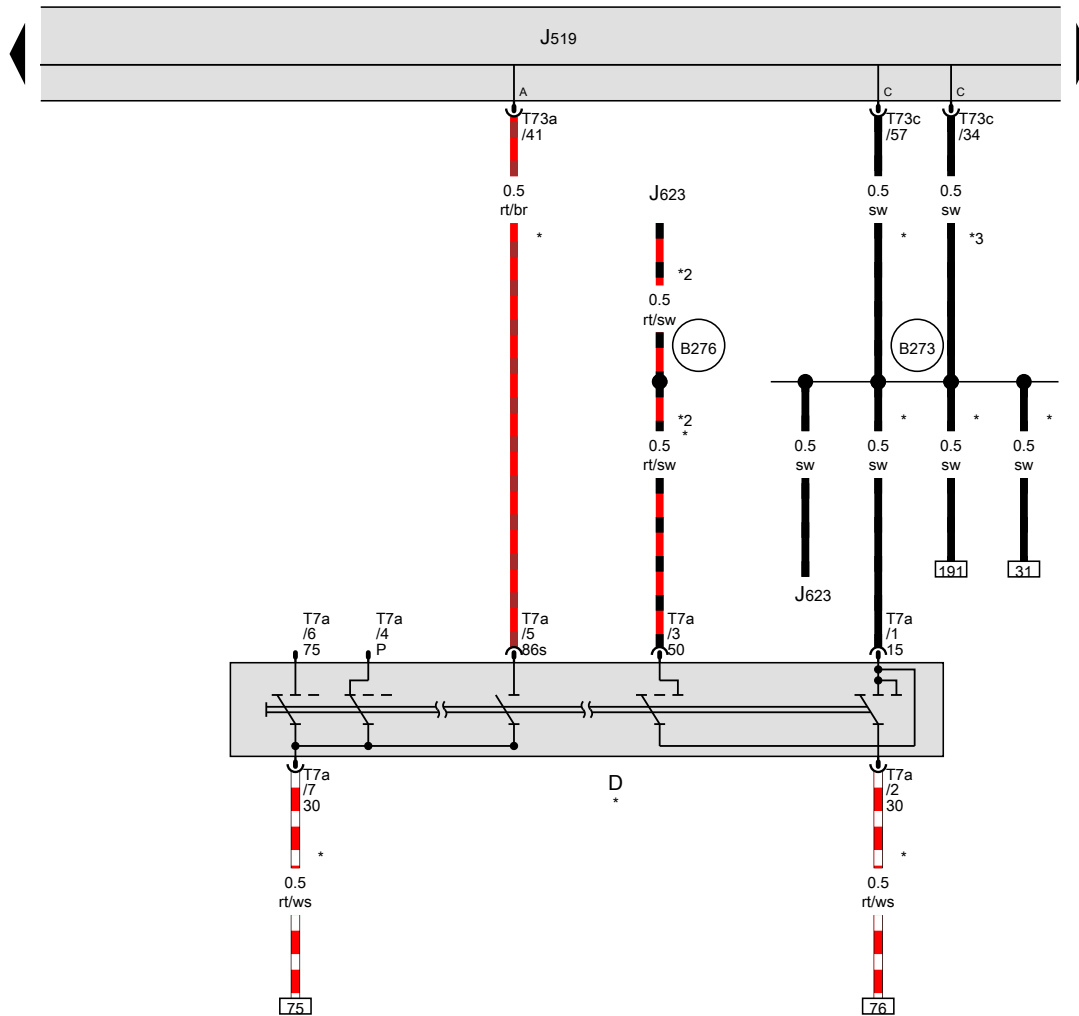
[NH0-002140216]



X-contact relief relay, Terminal 15 voltage supply relay

- J59 X-contact relief relay
- J329 Terminal 15 voltage supply relay
- J519 Onboard supply control unit
- T73c 73-pin connector, black
- B626** Positive connection 2 (15), in main wiring harness
- * Only models with no entry and start authorisation
- *2 Only models with entry and start authorisation

- ws = white
- sw = black
- ro = red
- rt = red
- br = brown
- gn = green
- bl = blue
- gr = grey
- li = purple
- vi = purple
- ge = yellow
- or = orange
- rs = pink



Ignition/starter switch

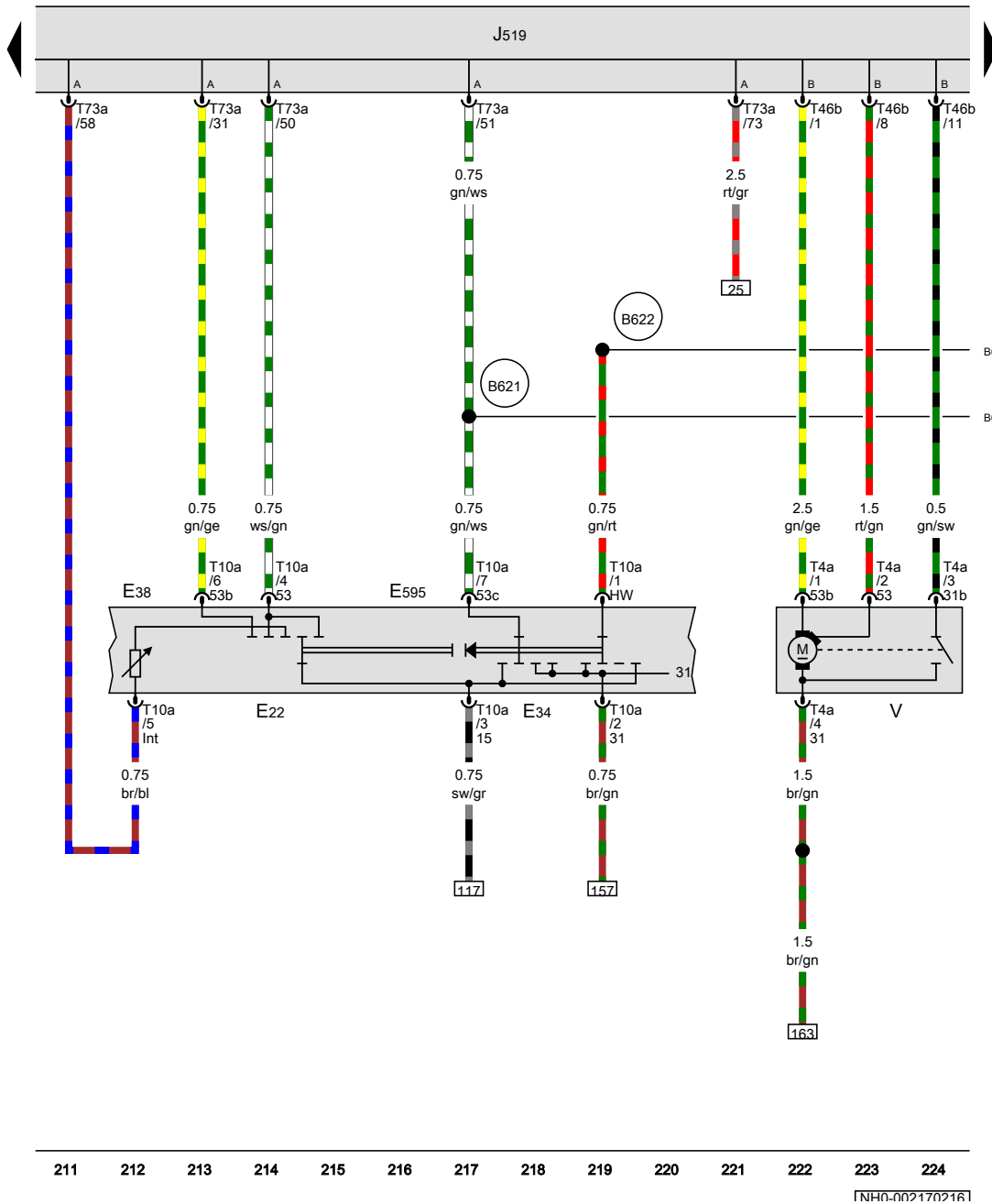
- D Ignition/starter switch
- J519 Onboard supply control unit
- J623 Engine control unit
- T7a 7-pin connector
- T73a 73-pin connector, black
- T73c 73-pin connector, black

(B273) Positive connection (15), in main wiring harness

(B276) Positive connection (50), in main wiring harness

- * Only models with no entry and start authorisation see applicable current flow diagram for engine
- *2 Only models with entry and start authorisation
- *3 Only models with entry and start authorisation

- ws = white
- sw = black
- ro = red
- rt = red
- br = brown
- gn = green
- bl = blue
- gr = grey
- li = purple
- vi = purple
- ge = yellow
- or = orange
- rs = pink



Intermittent wiper switch, Rear wiper switch, Intermittent wiper regulator, Steering column combination switch, Windscreen wiper motor

- E22 Intermittent wiper switch
- E34 Rear wiper switch
- E38 Intermittent wiper regulator
- E595 Steering column combination switch
- J519 Onboard supply control unit
- T4a 4-pin connector
- T10a 10-pin connector
- T46b 46-pin connector, brown
- T73a 73-pin connector, black
- V Windscreen wiper motor

- B621 Connection 1 (53c), in main wiring harness
- B622 Connection (windscreen wiper), in main wiring harness

- ws = white
- sw = black
- ro = red
- rt = red
- br = brown
- gn = green
- bl = blue
- gr = grey
- li = purple
- vi = purple
- ge = yellow
- or = orange
- rs = pink

211 212 213 214 215 216 217 218 219 220 221 222 223 224

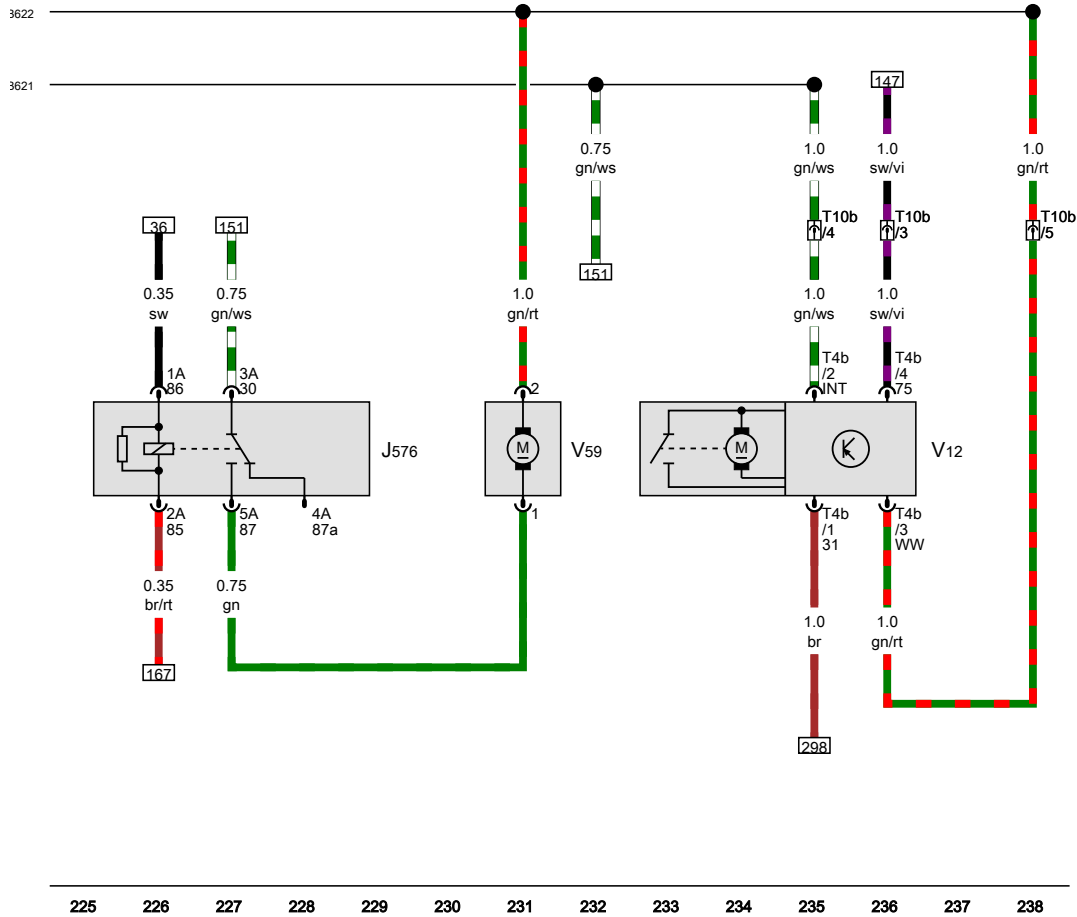
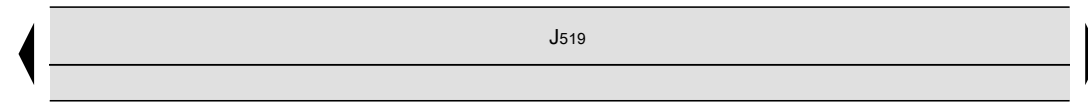
[NH0-002170216]

Washer pump relay, Rear window wiper motor, Windscreen and rear window washer pump

- J519 Onboard supply control unit
- J576 Washer pump relay
- T4b 4-pin connector
- T10b 10-pin connector
- V12 Rear window wiper motor
- V59 Windscreen and rear window washer pump

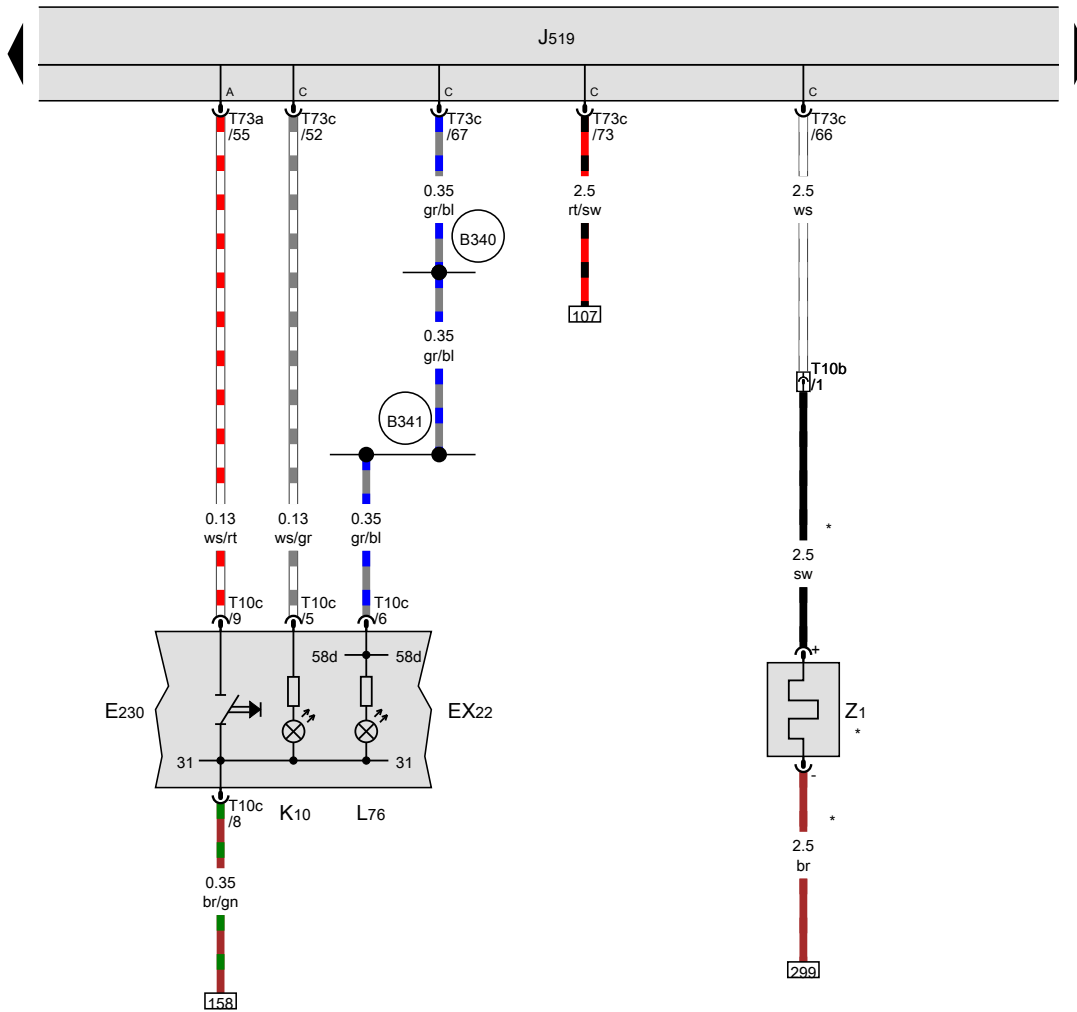
B621 Connection 1 (53c), in main wiring harness

B622 Connection (windscreen wiper), in main wiring harness



- ws = white
- sw = black
- ro = red
- rt = red
- br = brown
- gn = green
- bl = blue
- gr = grey
- li = purple
- vi = purple
- ge = yellow
- or = orange
- rs = pink

[NH0-002180216]



Centre switch module in dash panel, Heated rear window button, Heated rear window

- EX22 Centre switch module in dash panel
- E230 Heated rear window button
- J519 Onboard supply control unit
- K10 Heated rear window warning lamp
- L76 Button illumination bulb
- T10b 10-pin connector
- T10c 10-pin connector, black
- T73a 73-pin connector, black
- T73c 73-pin connector, black
- Z1 Heated rear window

B340 Connection 1 (58d), in main wiring harness

B341 Connection 2 (58d), in main wiring harness

* Only models with no rear window aerial

- ws = white
- sw = black
- ro = red
- rt = red
- br = brown
- gn = green
- bl = blue
- gr = grey
- li = purple
- vi = purple
- ge = yellow
- or = orange
- rs = pink

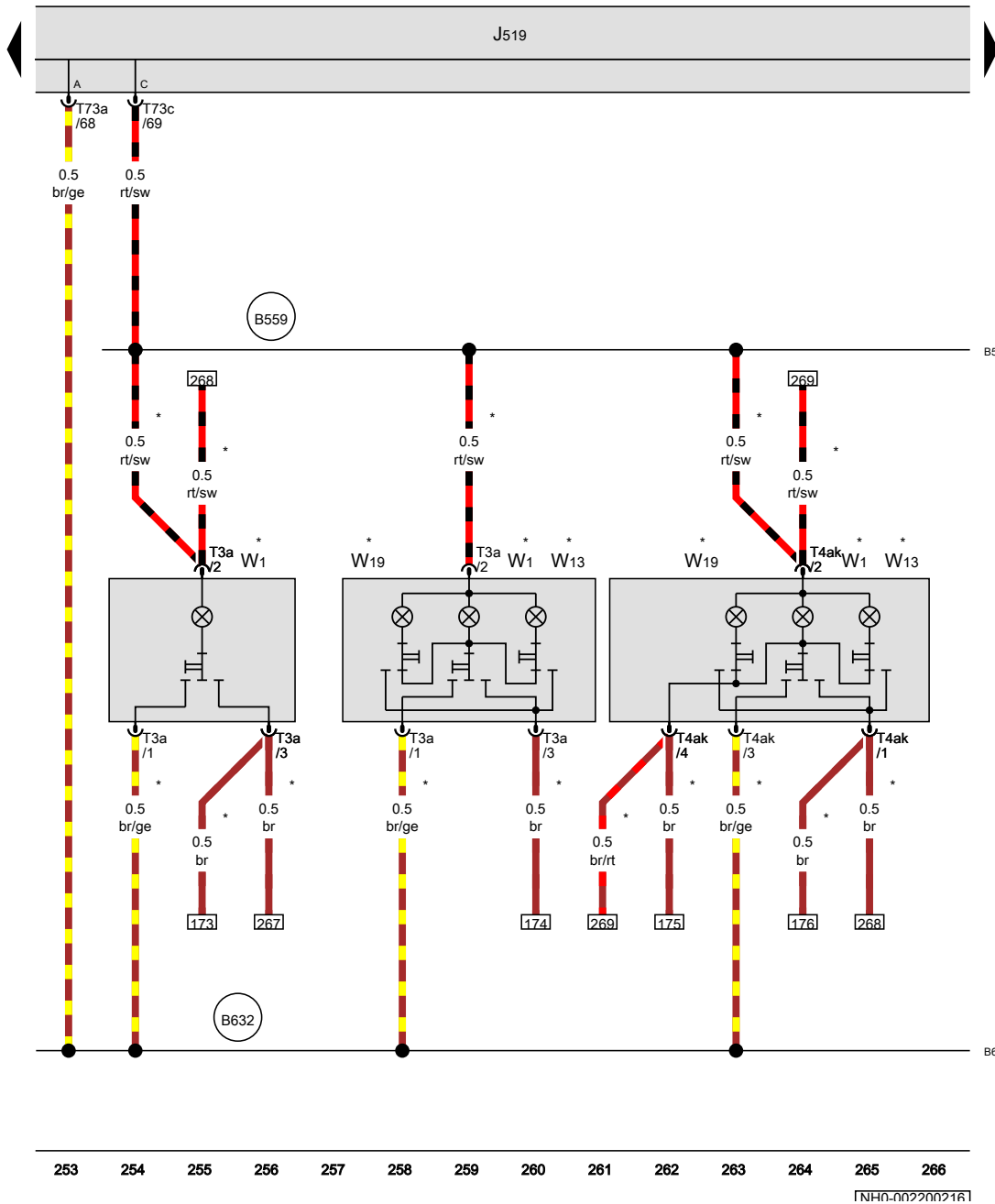
Front interior light, Front passenger reading light, Driver side reading light

- J519 Onboard supply control unit
- T3a 3-pin connector
- T4ak 4-pin connector
- T73a 73-pin connector, black
- T73c 73-pin connector, black
- W1 Front interior light
- W13 Front passenger reading light
- W19 Driver side reading light

B559 Positive connection 1 (30g), in main wiring harness

B632 Connection (interior light, 31), in main wiring harness

* According to equipment



1NH0-0022000216

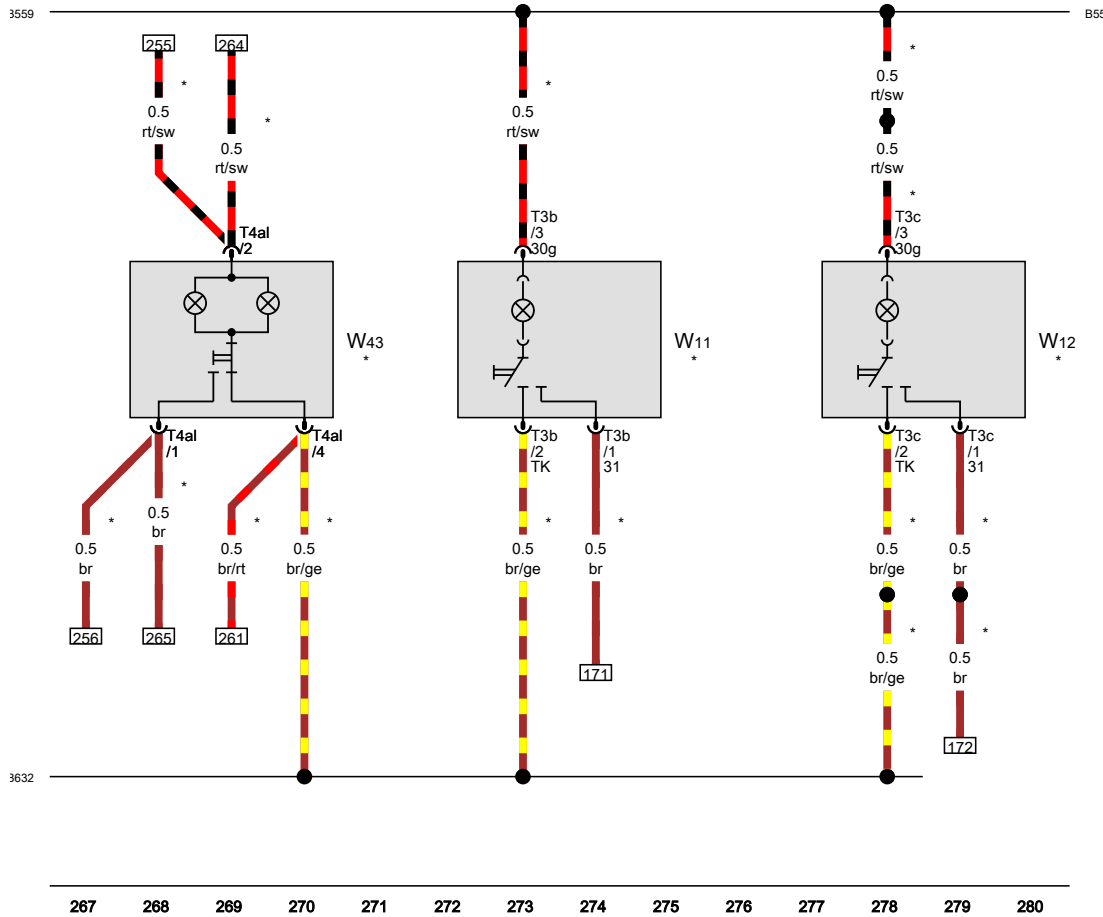
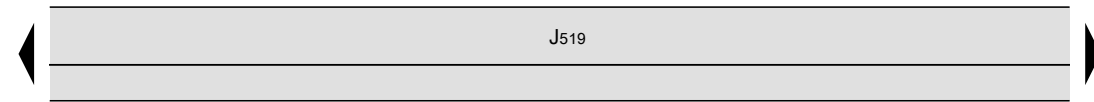
Rear left reading light, Rear right reading light, Rear interior light

- J519 Onboard supply control unit
- T3b 3-pin connector
- T3c 3-pin connector
- T4al 4-pin connector
- W11 Rear left reading light
- W12 Rear right reading light
- W43 Rear interior light

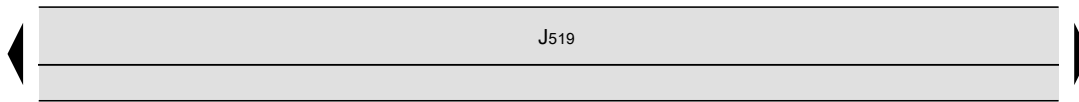
B559 Positive connection 1 (30g), in main wiring harness

B632 Connection (interior light, 31), in main wiring harness

* According to equipment



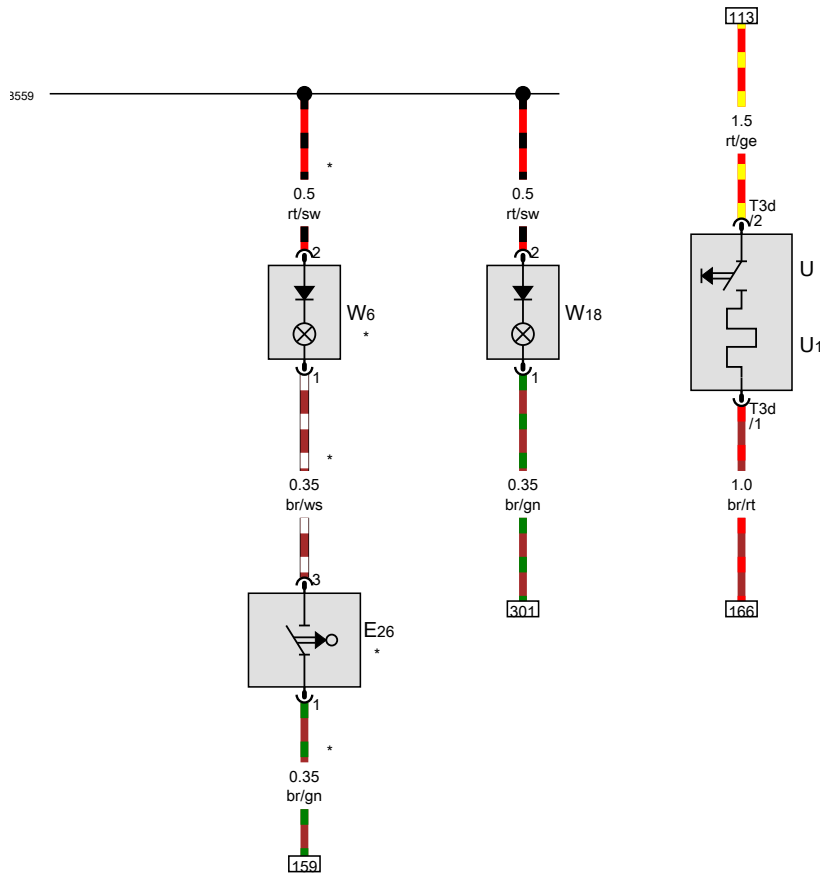
[NH0-002210216]



Glove compartment light switch, Electric socket, Cigarette lighter, Glove compartment light, Luggage compartment light on left

- E26 Glove compartment light switch
- J519 Onboard supply control unit
- T3d 3-pin connector
- U Electric socket
- U1 Cigarette lighter
- W6 Glove compartment light
- W18 Luggage compartment light on left

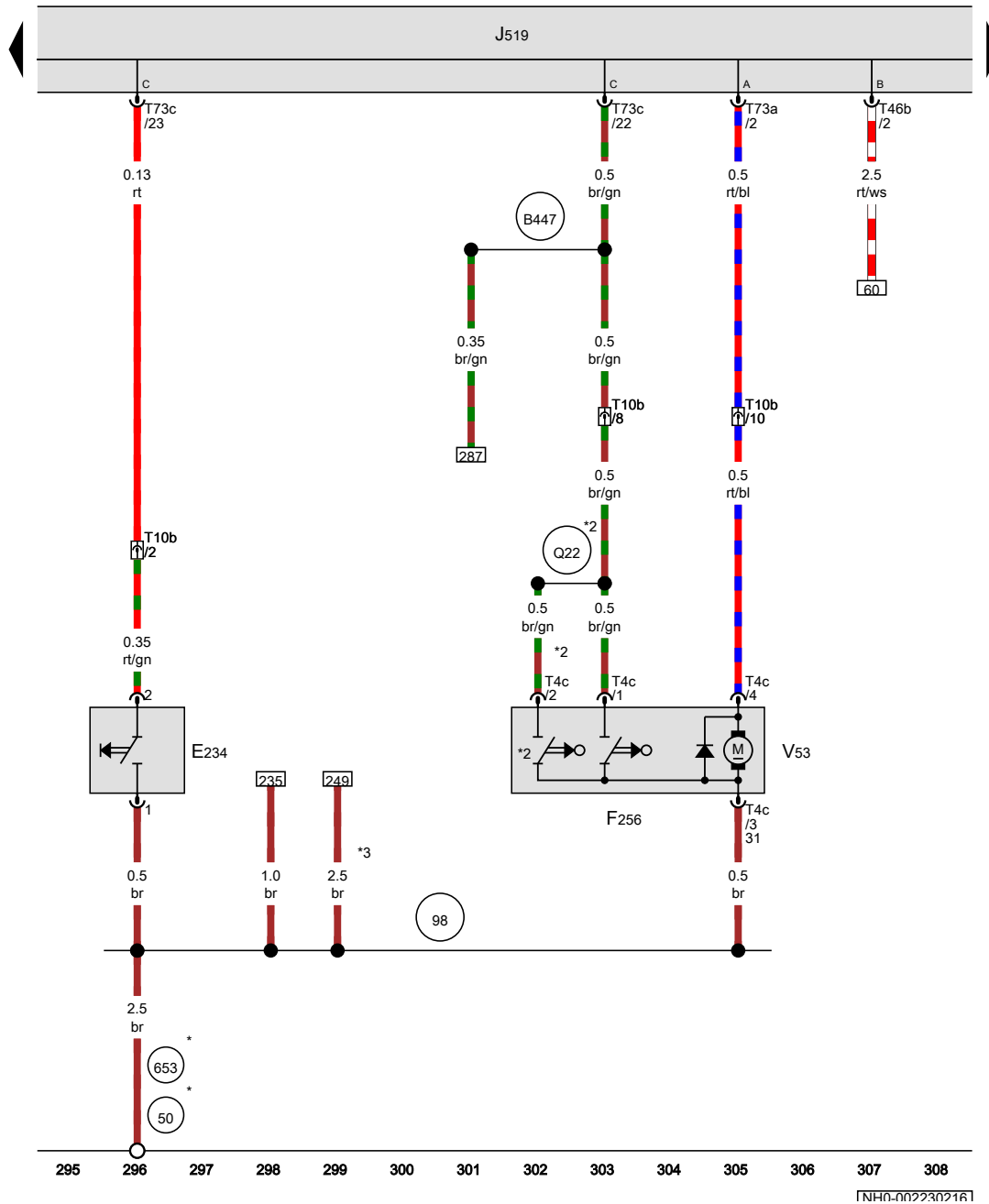
- B559 Positive connection 1 (30g), in main wiring harness
- * Special equipment



- ws = white
- sw = black
- ro = red
- rt = red
- br = brown
- gn = green
- bl = blue
- gr = grey
- li = purple
- vi = purple
- ge = yellow
- or = orange
- rs = pink

281 282 283 284 285 286 287 288 289 290 291 292 293 294

[NH0-002220216]



Rear lid handle release button, Rear lid lock unit, Rear lid central locking motor

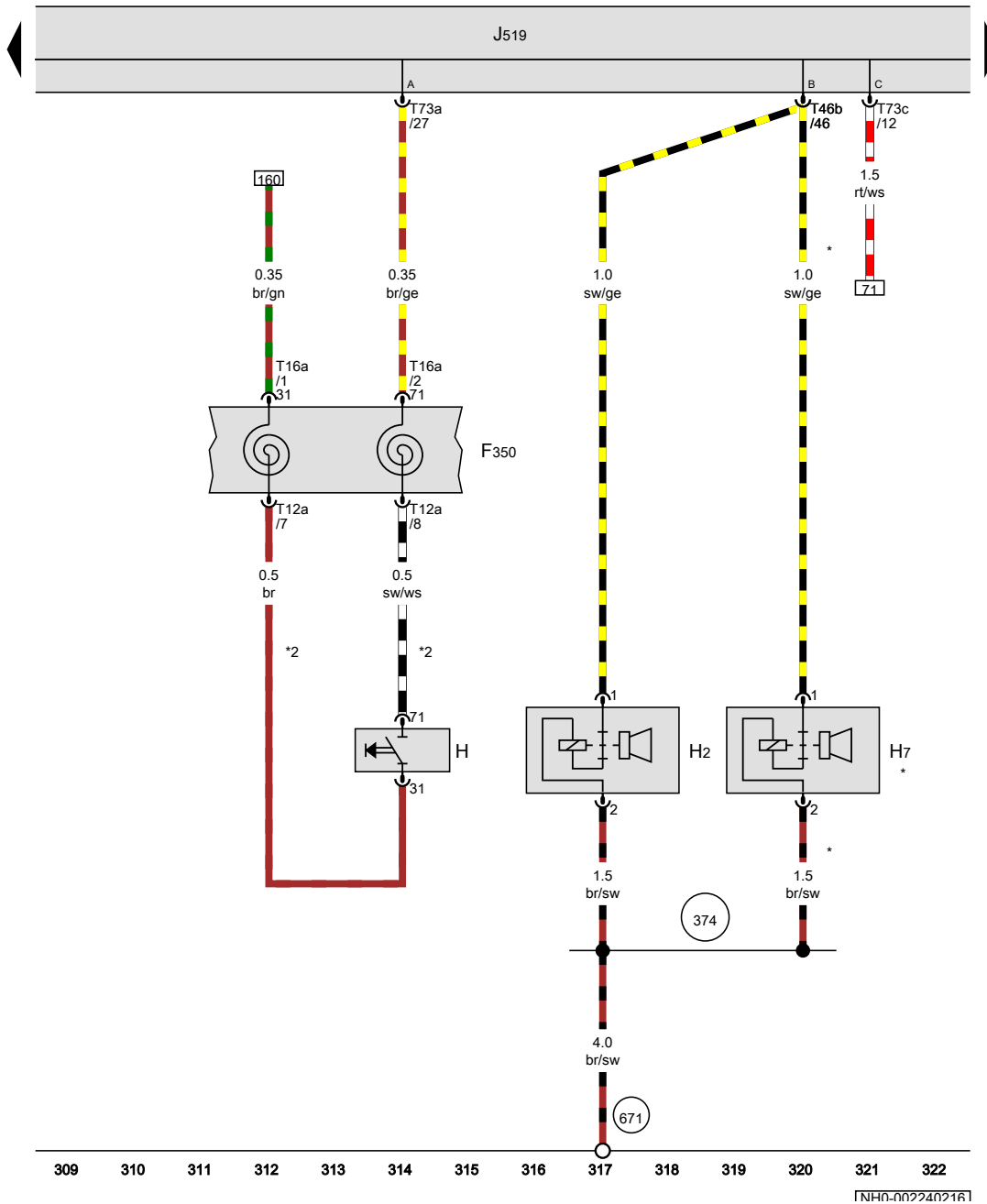
- E234 Rear lid handle release button
- F256 Rear lid lock unit
- J519 Onboard supply control unit
- T4c 4-pin connector
- T10b 10-pin connector
- T46b 46-pin connector, brown
- T73a 73-pin connector, black
- T73c 73-pin connector, black
- V53 Rear lid central locking motor

- 50 Earth point, on left in luggage compartment
- 98 Earth connection, in rear lid wiring harness
- 653 Earth point, on left D-pillar
- B447 Connection (luggage compartment light), in main wiring harness
- Q22 Connection 1, in rear lid wiring harness
- * see fitting locations
- *2 According to equipment
- *3 Only models with no rear window aerial

- ws = white
- sw = black
- ro = red
- rt = red
- br = brown
- gn = green
- bl = blue
- gr = grey
- li = purple
- vi = purple
- ge = yellow
- or = orange
- rs = pink

1NH0-0022302161

Coil connector, Horn plate, Treble horn, Bass horn



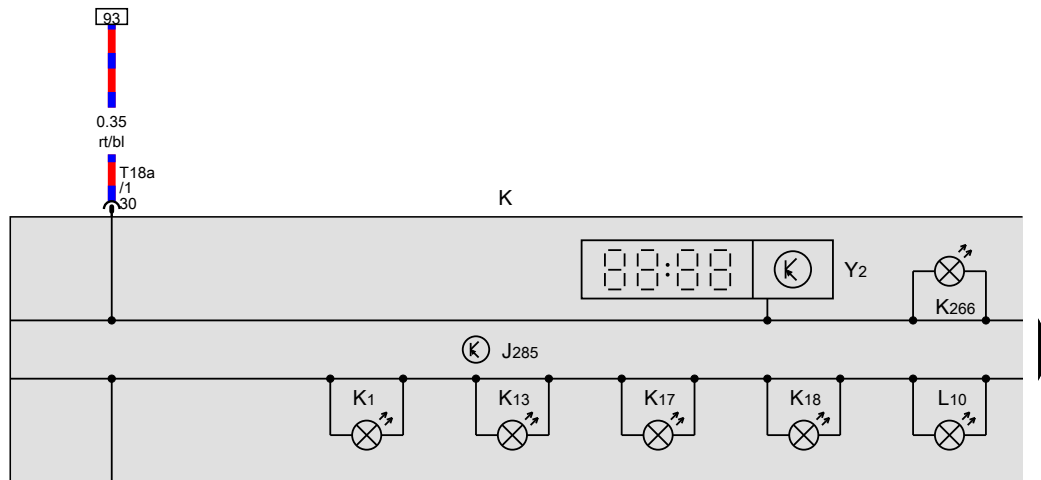
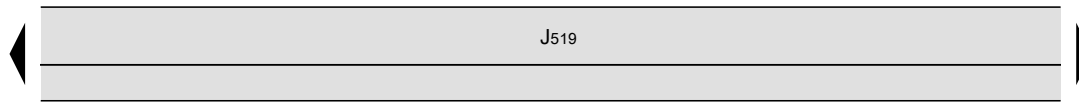
- F350 Coil connector
- H Horn plate
- H2 Treble horn
- H7 Bass horn
- J519 Onboard supply control unit
- T12a 12-pin connector
- T16a 16-pin connector
- T46b 46-pin connector, brown
- T73a 73-pin connector, black
- T73c 73-pin connector, black

- 374 Earth connection 9, in main wiring harness
- 671 Earth point 1, on front of left longitudinal member
- * Only models with dual tone horn
- *2 Only models with no multifunction steering wheel

- ws = white
- sw = black
- ro = red
- rt = red
- br = brown
- gn = green
- bl = blue
- gr = grey
- li = purple
- vi = purple
- ge = yellow
- or = orange
- rs = pink

Dash panel insert, Digital clock

- J285 Control unit in dash panel insert
- J519 Onboard supply control unit
- K Dash panel insert
- K1 Main beam warning lamp
- K13 Rear fog light warning lamp
- K17 Fog light warning lamp
- K18 Trailer operation warning lamp
- K266 Warning lamp for dipped beams
- L10 Dash panel insert illumination bulb
- T18a 18-pin connector
- Y2 Digital clock



93

0.35
rt/bl
T18a
/1
30

K



Y2



K266

J285



K1



K13



K17



K18



L10

T18a
/10
31

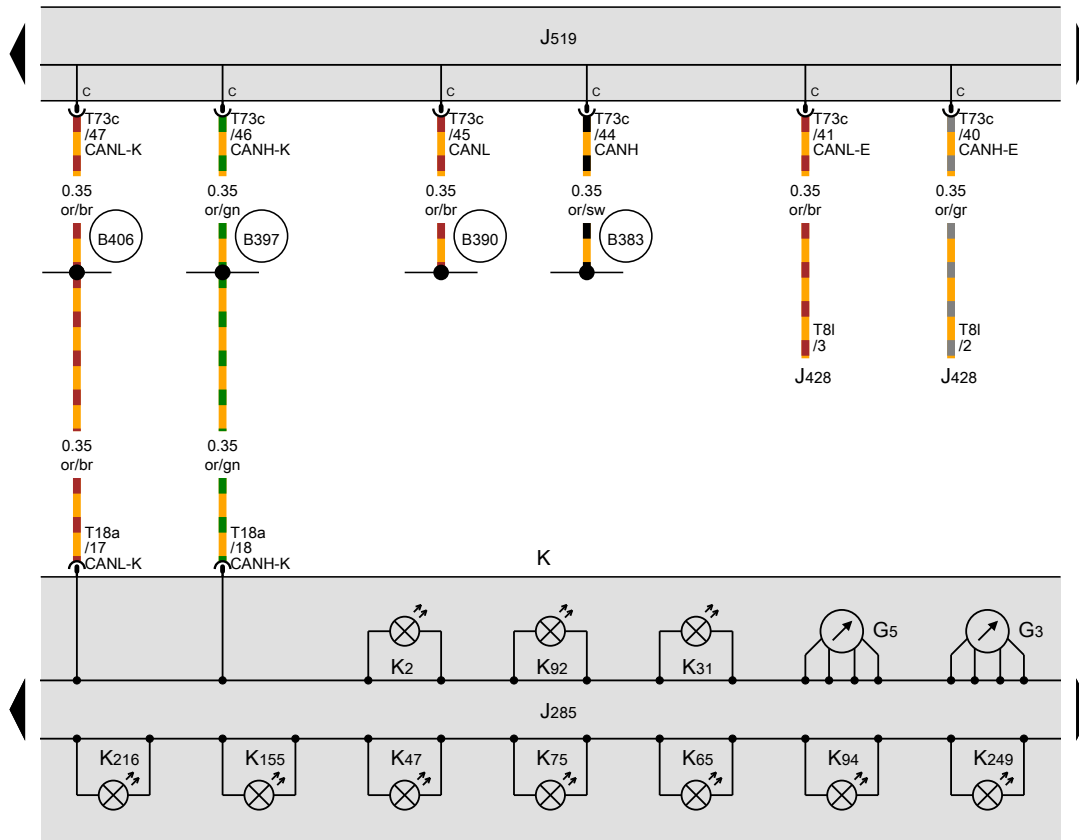
0.5
br/gn

162

- ws = white
- sw = black
- ro = red
- rt = red
- br = brown
- gn = green
- bl = blue
- gr = grey
- li = purple
- vi = purple
- ge = yellow
- or = orange
- rs = pink

323 324 325 326 327 328 329 330 331 332 333 334 335 336

[NH0-002250216]



Coolant temperature gauge, Rev. counter, Dash panel insert

- G3 Coolant temperature gauge
- G5 Rev. counter
- J285 Control unit in dash panel insert
- J428 Adaptive cruise control unit
- J519 Onboard supply control unit
- K Dash panel insert
- K2 Alternator warning lamp
- K31 Cruise control system warning lamp
- K47 ABS warning lamp
- K65 Left turn signal warning lamp
- K75 Airbag warning lamp
- K92 Servotronic warning lamp
- K94 Right turn signal warning lamp
- K155 Warning lamp for electronic stabilisation program and TCS
- K216 Warning lamp 2 for electronic stabilisation program and TCS
- K249 Cold engine warning light
- T81 8-pin connector
- T18a 18-pin connector
- T73c 73-pin connector, black

- (B383) Connection 1 (powertrain CAN bus, high), in main wiring harness
- (B390) Connection 1 (powertrain CAN bus, low), in main wiring harness
- (B397) Connection 1 (convenience CAN bus, high), in main wiring harness
- (B406) Connection 1 (convenience CAN bus, low), in main wiring harness

- ws = white
- sw = black
- ro = red
- rt = red
- br = brown
- gn = green
- bl = blue
- gr = grey
- li = purple
- vi = purple
- ge = yellow
- or = orange
- rs = pink

337 338 339 340 341 342 343 344 345 346 347 348 349 350

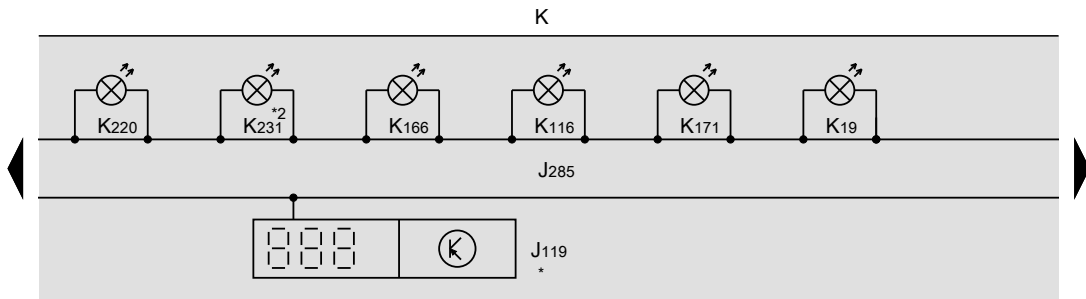
1NH0-002260216

Ambient temperature sensor, Multifunction indicator, Dash panel insert

- G17 Ambient temperature sensor
- J119 Multifunction indicator
- J285 Control unit in dash panel insert
- J519 Onboard supply control unit
- K Dash panel insert
- K19 Seat belt warning system warning lamp
- K116 Rear lid open warning lamp
- K166 Door open warning lamp
- K171 Bonnet open warning lamp
- K220 Tyre Pressure Loss Indicator warning lamp
- K231 Diesel particulate filter warning lamp
- T46b 46-pin connector, brown

410 Earth connection 1 (sender earth) in main wiring harness

- * Only models with multifunction display
- *2 Only models with diesel particulate filter



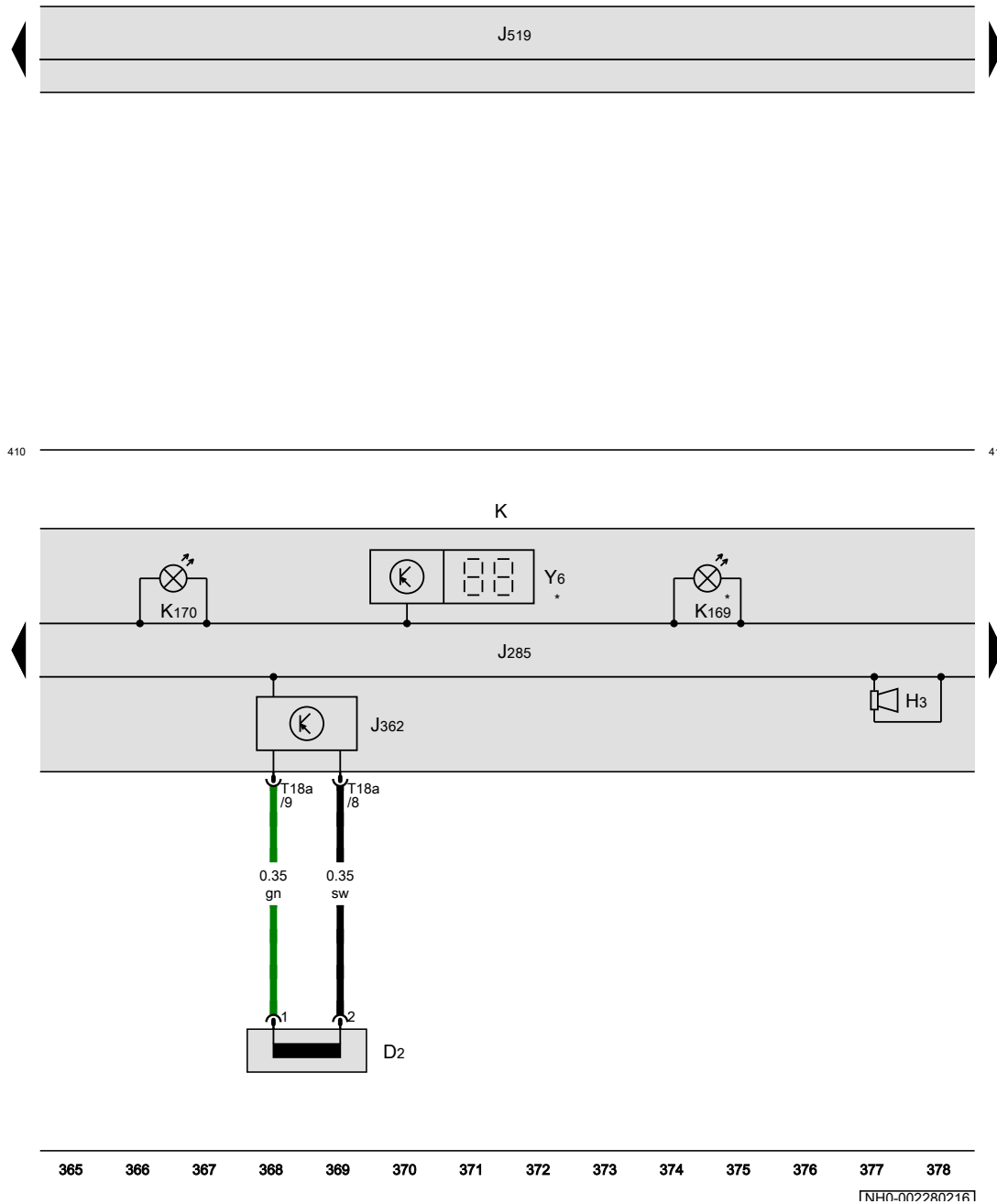
- ws = white
- sw = black
- ro = red
- rt = red
- br = brown
- gn = green
- bl = blue
- gr = grey
- li = purple
- vi = purple
- ge = yellow
- or = orange
- rs = pink

351 352 353 354 355 356 357 358 359 360 361 362 363 364

[NH0-002270216]

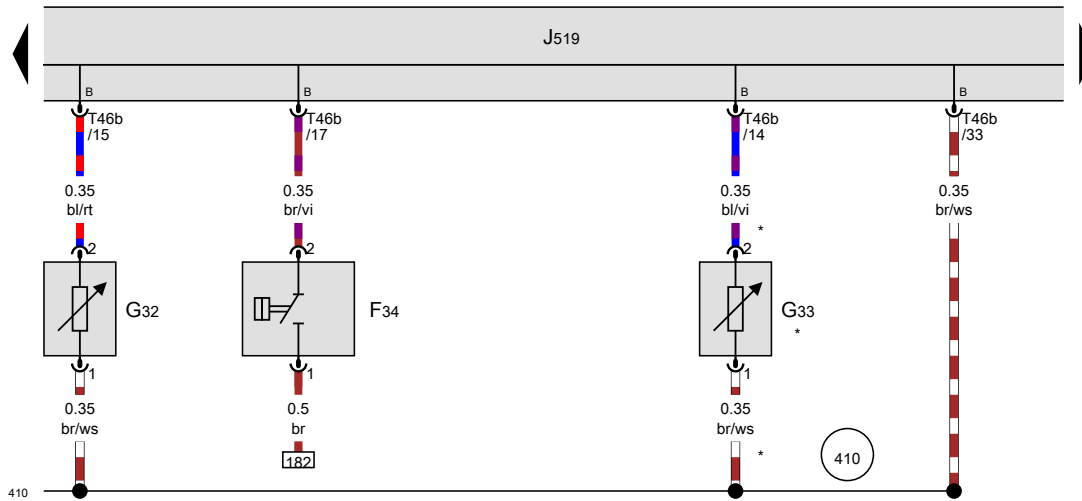
Immobiliser reader coil, Buzzer and gong, Immobiliser control unit, Dash panel insert, Selector lever position display

- D2 Immobiliser reader coil
 - H3 Buzzer and gong
 - J285 Control unit in dash panel insert
 - J362 Immobiliser control unit
 - J519 Onboard supply control unit
 - K Dash panel insert
 - K169 Selector lever lock warning lamp
 - K170 Bulb failure warning lamp
 - T18a 18-pin connector
 - Y6 Selector lever position display
- 410 Earth connection 1 (sender earth) in main wiring harness
- * Only models with automatic gearbox



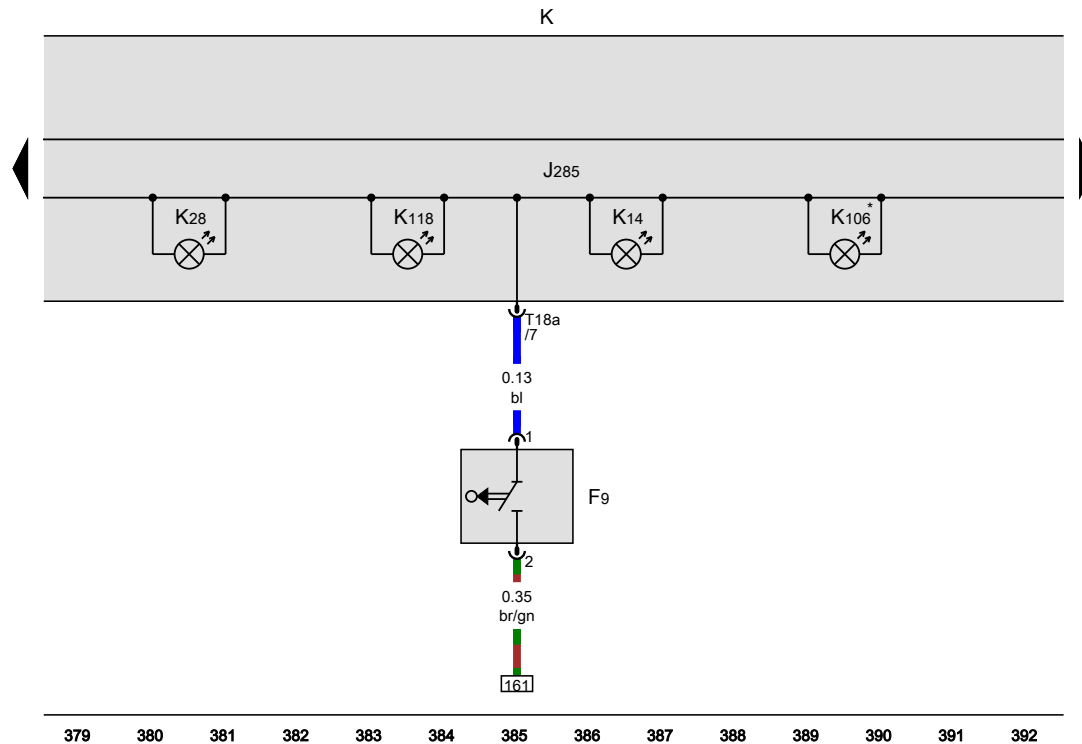
- ws = white
- sw = black
- ro = red
- rt = red
- br = brown
- gn = green
- bl = blue
- gr = grey
- li = purple
- vi = purple
- ge = yellow
- or = orange
- rs = pink

[NH0-002280216]



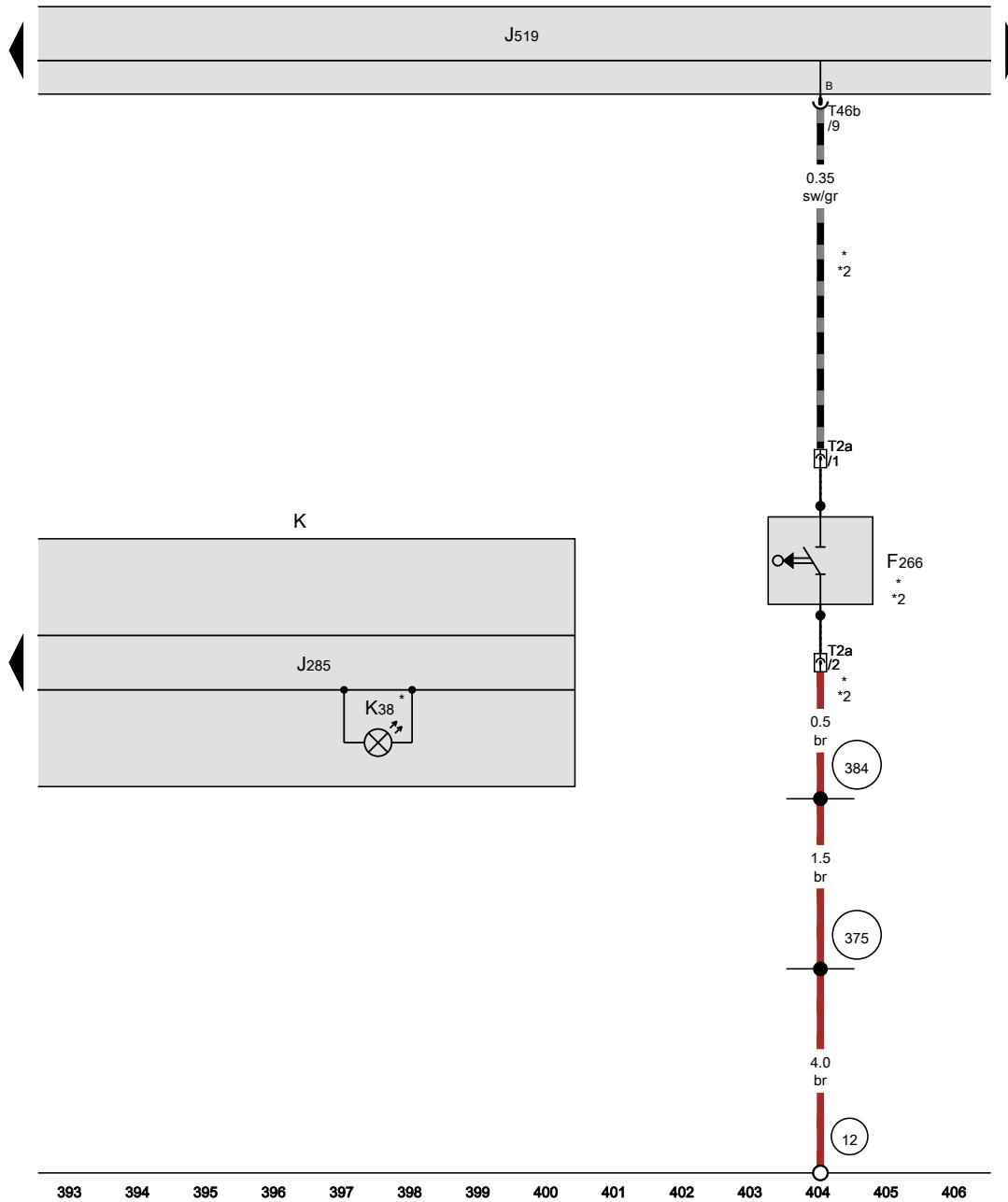
Handbrake warning switch, Brake fluid level warning contact, Coolant shortage indicator sender, Windscreen washer fluid level sender, Dash panel insert

- F9 Handbrake warning switch
 - F34 Brake fluid level warning contact
 - G32 Coolant shortage indicator sender
 - G33 Windscreen washer fluid level sender
 - J285 Control unit in dash panel insert
 - J519 Onboard supply control unit
 - K Dash panel insert
 - K14 Handbrake warning lamp
 - K28 Coolant temperature and coolant shortage warning lamp
 - K106 Washer fluid low warning lamp
 - K118 Brake system warning lamp
 - T18a 18-pin connector
 - T46b 46-pin connector, brown
- 410 Earth connection 1 (sender earth) in main wiring harness
- * Special equipment



- ws = white
- sw = black
- ro = red
- rt = red
- br = brown
- gn = green
- bl = blue
- gr = grey
- li = purple
- vi = purple
- ge = yellow
- or = orange
- rs = pink

1NH0-0022902161



Bonnet contact switch, Dash panel insert

- F266 Bonnet contact switch
- J285 Control unit in dash panel insert
- J519 Onboard supply control unit
- K Dash panel insert
- K38 Oil level warning lamp
- T2a 2-pin connector
- T46b 46-pin connector, brown

- 12 Earth point, on left in engine compartment
- 375 Earth connection 10, in main wiring harness
- 384 Earth connection 19, in main wiring harness

- * Only models with extended servicing intervals (ESI)
- *2 For models with anti-theft alarm system

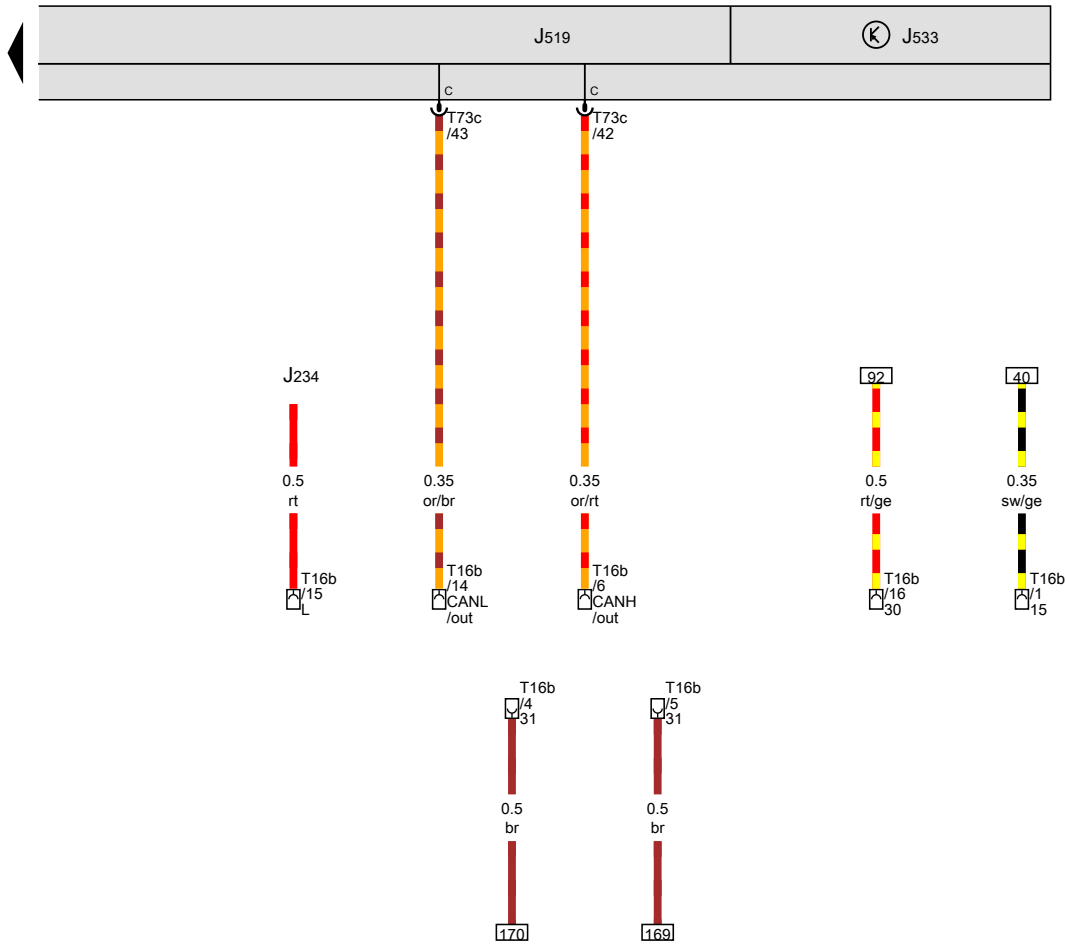
- ws = white
- sw = black
- ro = red
- rt = red
- br = brown
- gn = green
- bl = blue
- gr = grey
- li = purple
- vi = purple
- ge = yellow
- or = orange
- rs = pink

393 394 395 396 397 398 399 400 401 402 403 404 405 406

[NH0-002300216]

Data bus diagnostic interface, 16-pin connector

- J234 Airbag control unit
- J519 Onboard supply control unit
- J533 Data bus diagnostic interface
- T16b 16-pin connector, on diagnostic connection
- T73c 73-pin connector, black



- ws = white
- sw = black
- ro = red
- rt = red
- br = brown
- gn = green
- bl = blue
- gr = grey
- li = purple
- vi = purple
- ge = yellow
- or = orange
- rs = pink

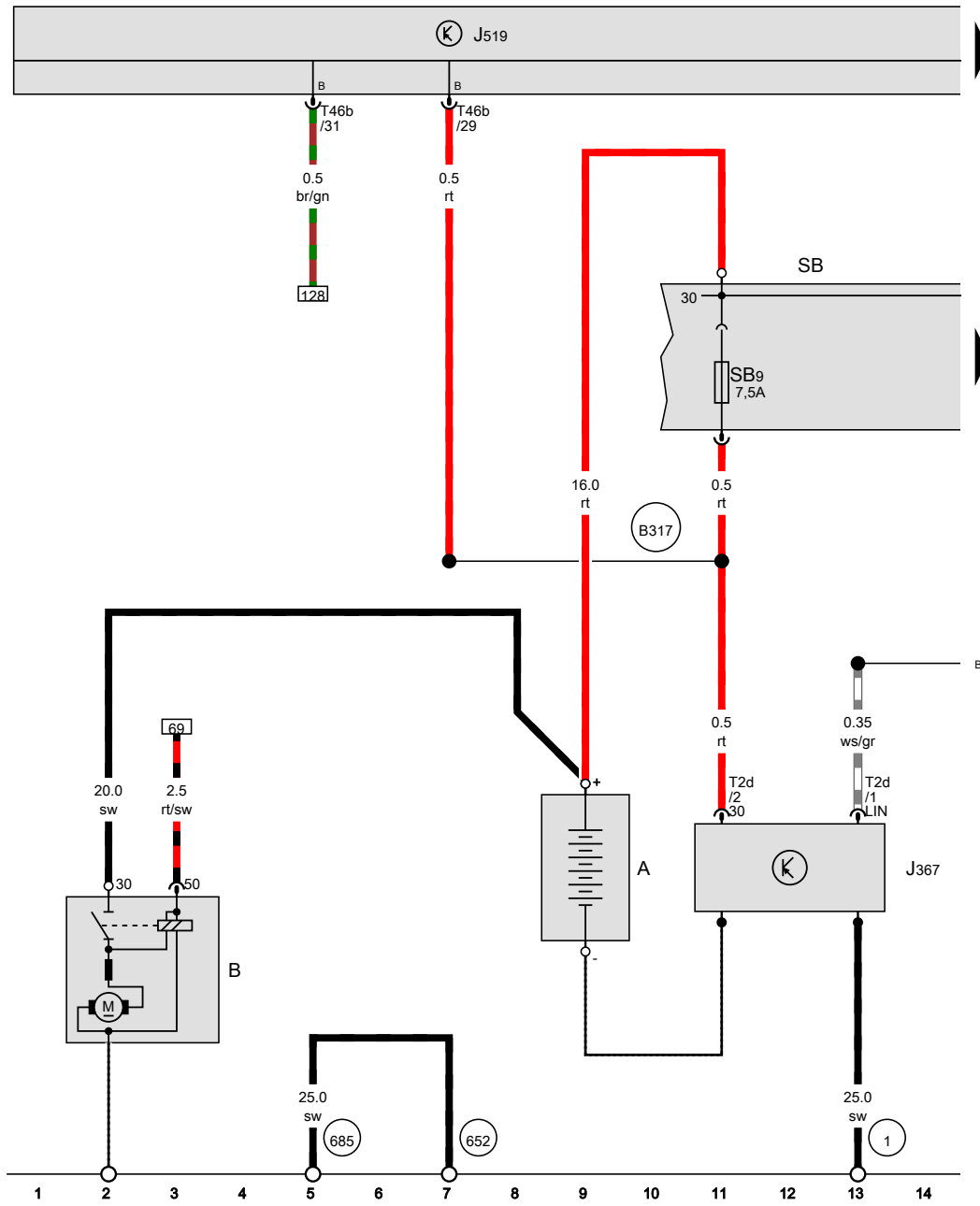
407 408 409 410 411 412 413 414 415 416 417 418 419 420

[NH0-002310216]

1.2l petrol engine with start/stop system , CJZC,CJZD,(7L6)

From May 2015

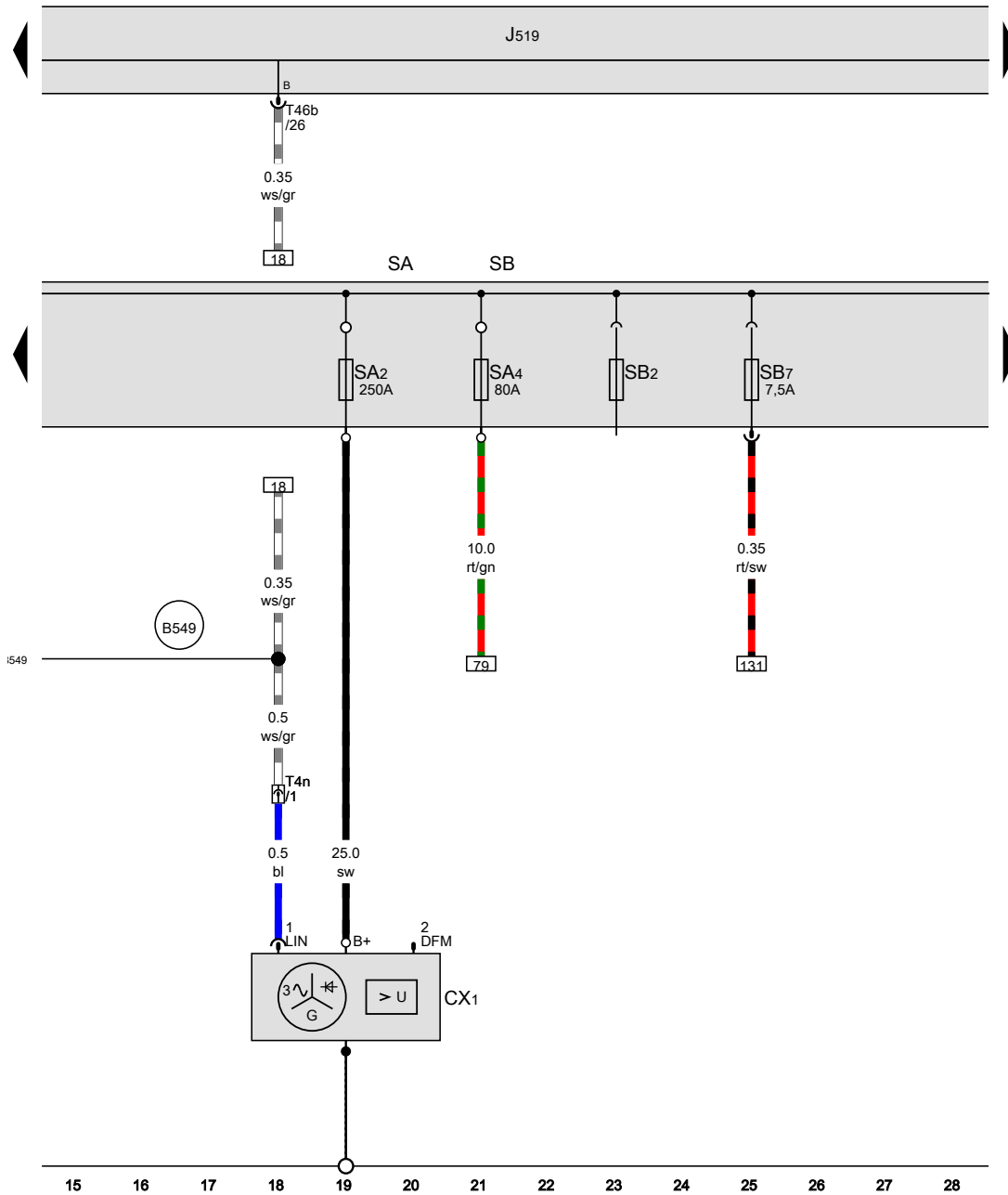
Battery, Starter, Battery monitor control unit, Fuse holder B



- A Battery
- B Starter
- J367 Battery monitor control unit
- J519 Onboard supply control unit
- SB Fuse holder B
- SB9 Fuse 9 on fuse holder B
- T2d 2-pin connector
- T46b 46-pin connector, brown
- 1 Earth strap, battery - body
- 652 Earth point, engine and gearbox earth
- 685 Earth point 1 at front of right longitudinal member
- B317 Positive connection 3 (30a) in main wiring harness
- B549 Connection 2 (LIN bus) in main wiring harness

- ws = white
- sw = black
- ro = red
- rt = red
- br = brown
- gn = green
- bl = blue
- gr = grey
- li = purple
- vi = purple
- ge = yellow
- or = orange
- rs = pink

[NH0-003020216]



Alternator with voltage regulator, Fuse holder A, Fuse holder B

- CX1 Alternator with voltage regulator
- J519 Onboard supply control unit
- SA Fuse holder A
- SA2 Fuse 2 in fuse holder A
- SB2 Fuse 2 on fuse holder B
- SA4 Fuse 4 in fuse holder A
- SB Fuse holder B
- SB7 Fuse 7 on fuse holder B
- T4n 4-pin connector, front left in engine compartment
- T46b 46-pin connector, brown

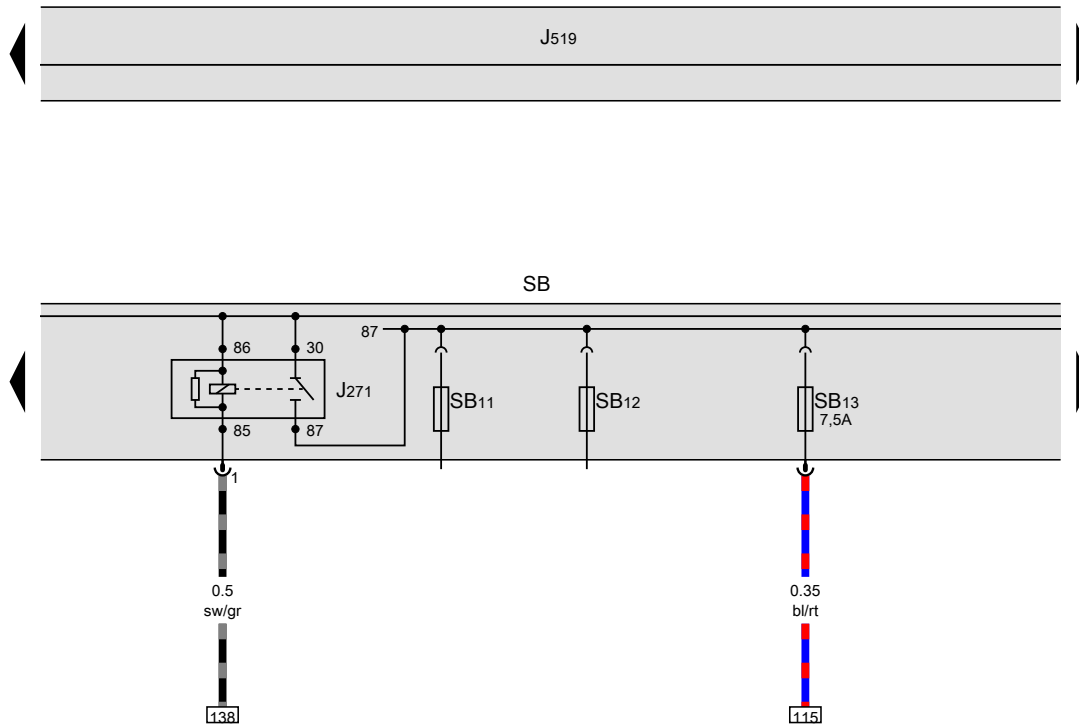
B549 Connection 2 (LIN bus) in main wiring harness

- ws = white
- sw = black
- ro = red
- rt = red
- br = brown
- gn = green
- bl = blue
- gr = grey
- li = purple
- vi = purple
- ge = yellow
- or = orange
- rs = pink

NH0-0030302161

Main relay, Fuse holder B

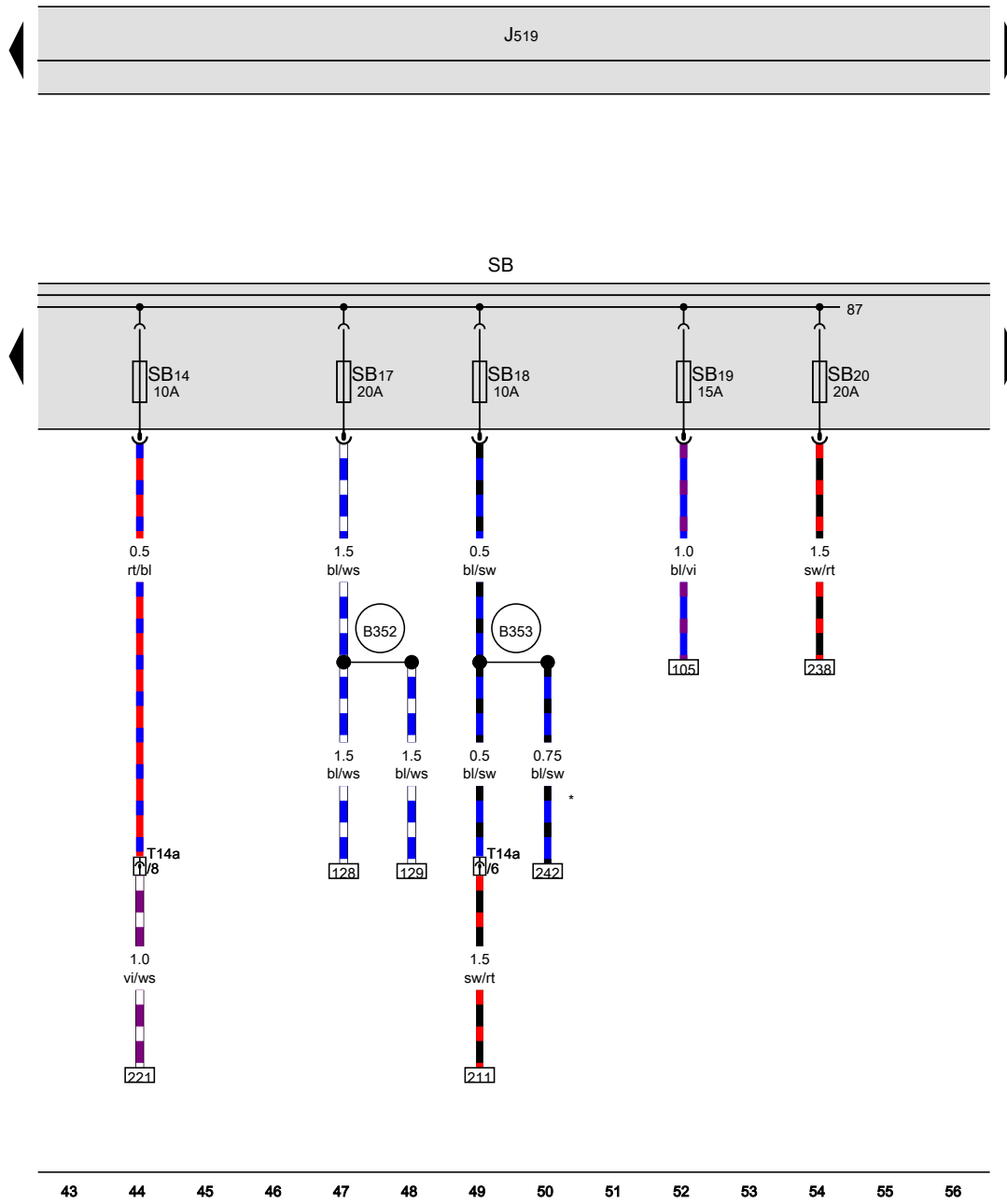
- J271 Main relay
- J519 Onboard supply control unit
- SB Fuse holder B
- SB11 Fuse 11 on fuse holder B
- SB12 Fuse 12 on fuse holder B
- SB13 Fuse 13 on fuse holder B



- ws = white
- sw = black
- ro = red
- rt = red
- br = brown
- gn = green
- bl = blue
- gr = grey
- li = purple
- vi = purple
- ge = yellow
- or = orange
- rs = pink

29 30 31 32 33 34 35 36 37 38 39 40 41 42

[NH0-003040216]



Fuse holder B

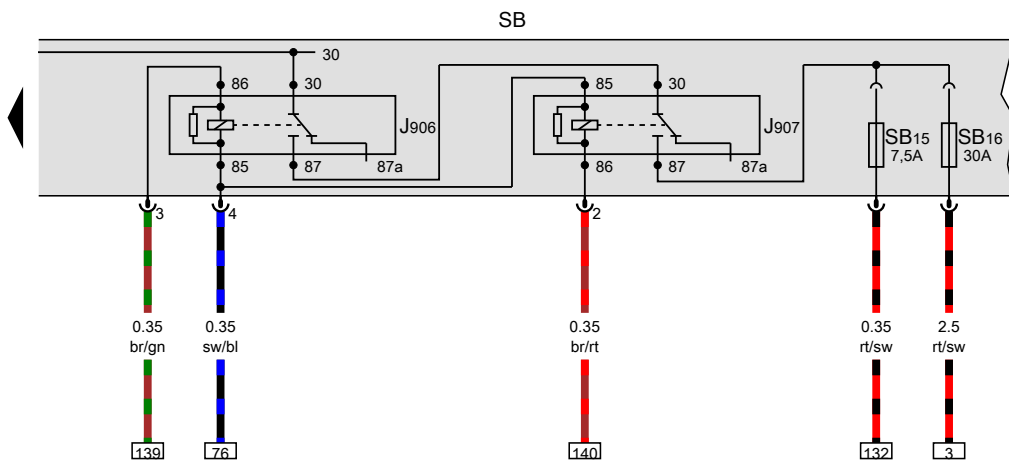
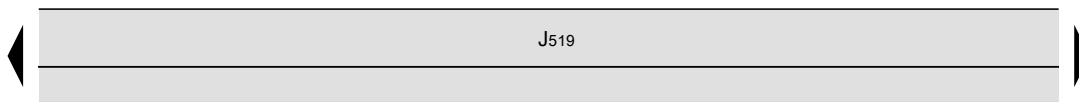
- J519 Onboard supply control unit
- SB Fuse holder B
- SB14 Fuse 14 on fuse holder B
- SB17 Fuse 17 on fuse holder B
- SB18 Fuse 18 on fuse holder B
- SB19 Fuse 19 on fuse holder B
- SB20 Fuse 20 on fuse holder B
- T14a 14-pin connector, front left in engine compartment
- B352** Positive connection 3 (87a) in main wiring harness
- B353** Positive connection 4 (87a) in main wiring harness
- * Only models with extended servicing intervals (ESI)

- ws = white
- sw = black
- ro = red
- rt = red
- br = brown
- gn = green
- bl = blue
- gr = grey
- li = purple
- vi = purple
- ge = yellow
- or = orange
- rs = pink

[NH0-003050216]

Starter relay 1, Starter relay 2, Fuse holder B

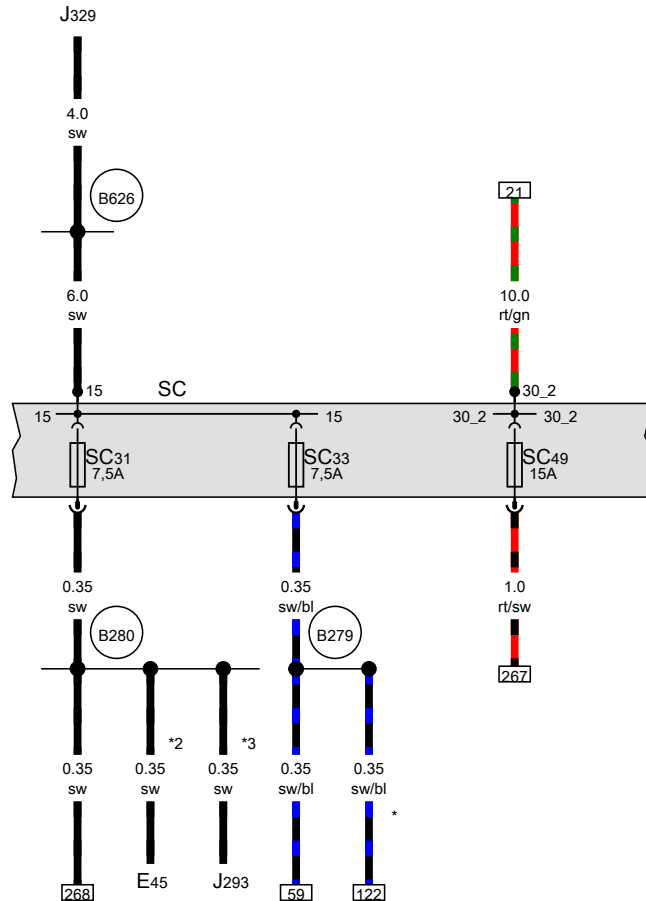
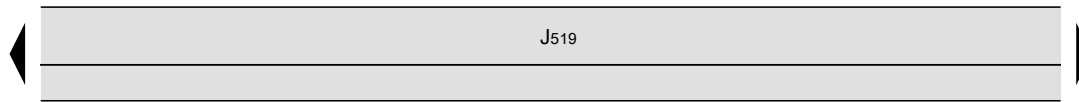
- J519 Onboard supply control unit
- J906 Starter relay 1
- J907 Starter relay 2
- SB Fuse holder B
- SB15 Fuse 15 on fuse holder B
- SB16 Fuse 16 on fuse holder B



- ws = white
- sw = black
- ro = red
- rt = red
- br = brown
- gn = green
- bl = blue
- gr = grey
- li = purple
- vi = purple
- ge = yellow
- or = orange
- rs = pink

57 58 59 60 61 62 63 64 65 66 67 68 69 70

[NH0-003060216]



Fuse holder C

- E45 Cruise control system switch
- J293 Radiator fan control unit
- J329 Terminal 15 voltage supply relay
- J519 Onboard supply control unit
- SC Fuse holder C
- SC31 Fuse 31 on fuse holder C
- SC33 Fuse 33 on fuse holder C
- SC49 Fuse 49 on fuse holder C

B279 Positive connection 3 (15a) in main wiring harness

B280 Positive connection 4 (15a) in main wiring harness

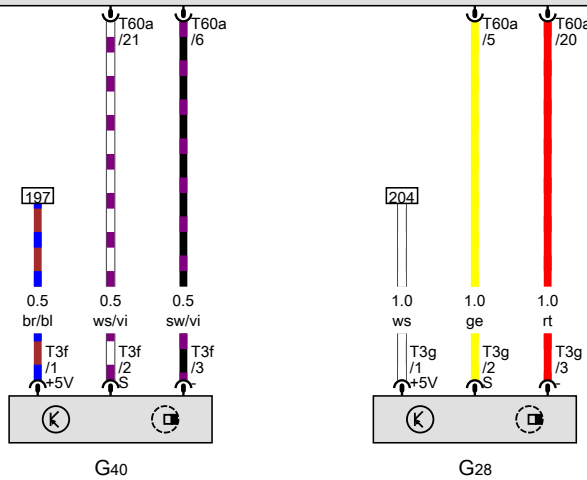
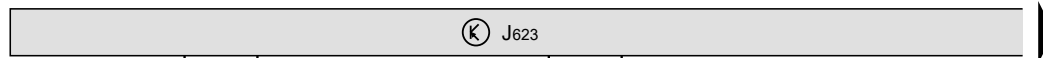
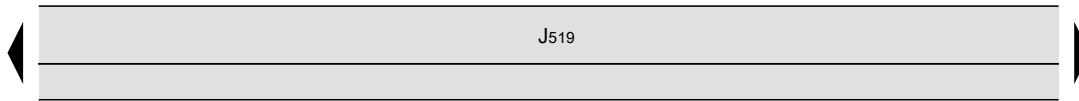
B626 Positive connection 2 (15), in main wiring harness

- * Only models with manual gearbox
- *2 Only models with cruise control system (CCS)
- *3 Only models with air conditioning system/ Climatronic

- ws = white
- sw = black
- ro = red
- rt = red
- br = brown
- gn = green
- bl = blue
- gr = grey
- li = purple
- vi = purple
- ge = yellow
- or = orange
- rs = pink

Engine speed sender, Hall sender, Engine control unit

- G28 Engine speed sender
- G40 Hall sender
- J519 Onboard supply control unit
- J623 Engine control unit
- T3f 3-pin connector
- T3g 3-pin connector
- T60a 60-pin connector



- ws = white
- sw = black
- ro = red
- rt = red
- br = brown
- gn = green
- bl = blue
- gr = grey
- li = purple
- vi = purple
- ge = yellow
- or = orange
- rs = pink

85 86 87 88 89 90 91 92 93 94 95 96 97 98

[NH0-003080216]

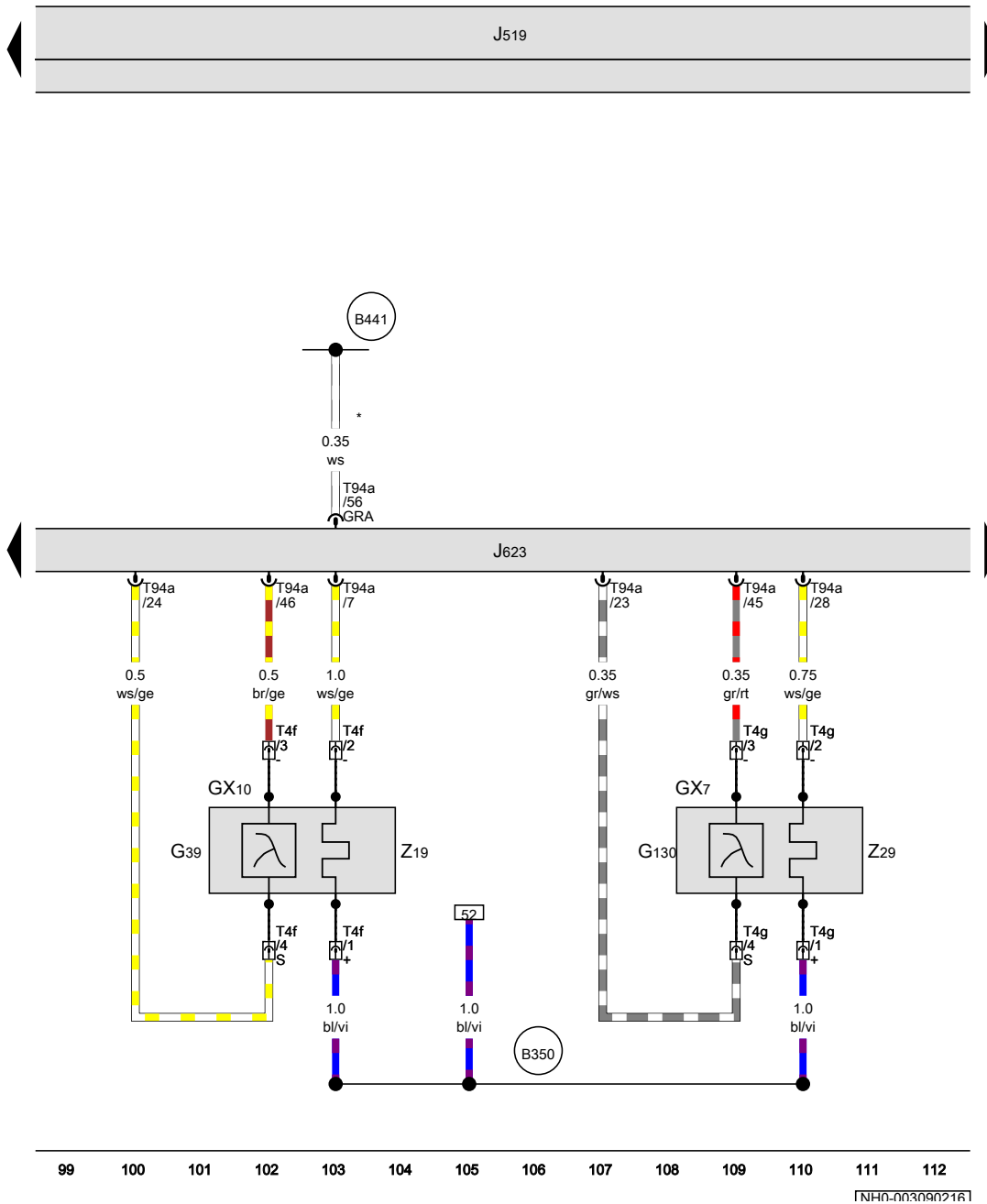
Lambda probe 1 after catalytic converter, Lambda probe 1 before catalytic converter, Engine control unit

- GX7 Lambda probe 1 after catalytic converter
- GX10 Lambda probe 1 before catalytic converter
- G39 Lambda probe
- G130 Lambda probe after catalytic converter
- J519 Onboard supply control unit
- J623 Engine control unit
- T4f 4-pin connector, brown
- T4g 4-pin connector, black
- T94a 94-pin connector
- Z19 Lambda probe heater
- Z29 Lambda probe 1 heater after catalytic converter

B350 Positive connection 1 (87a) in main wiring harness

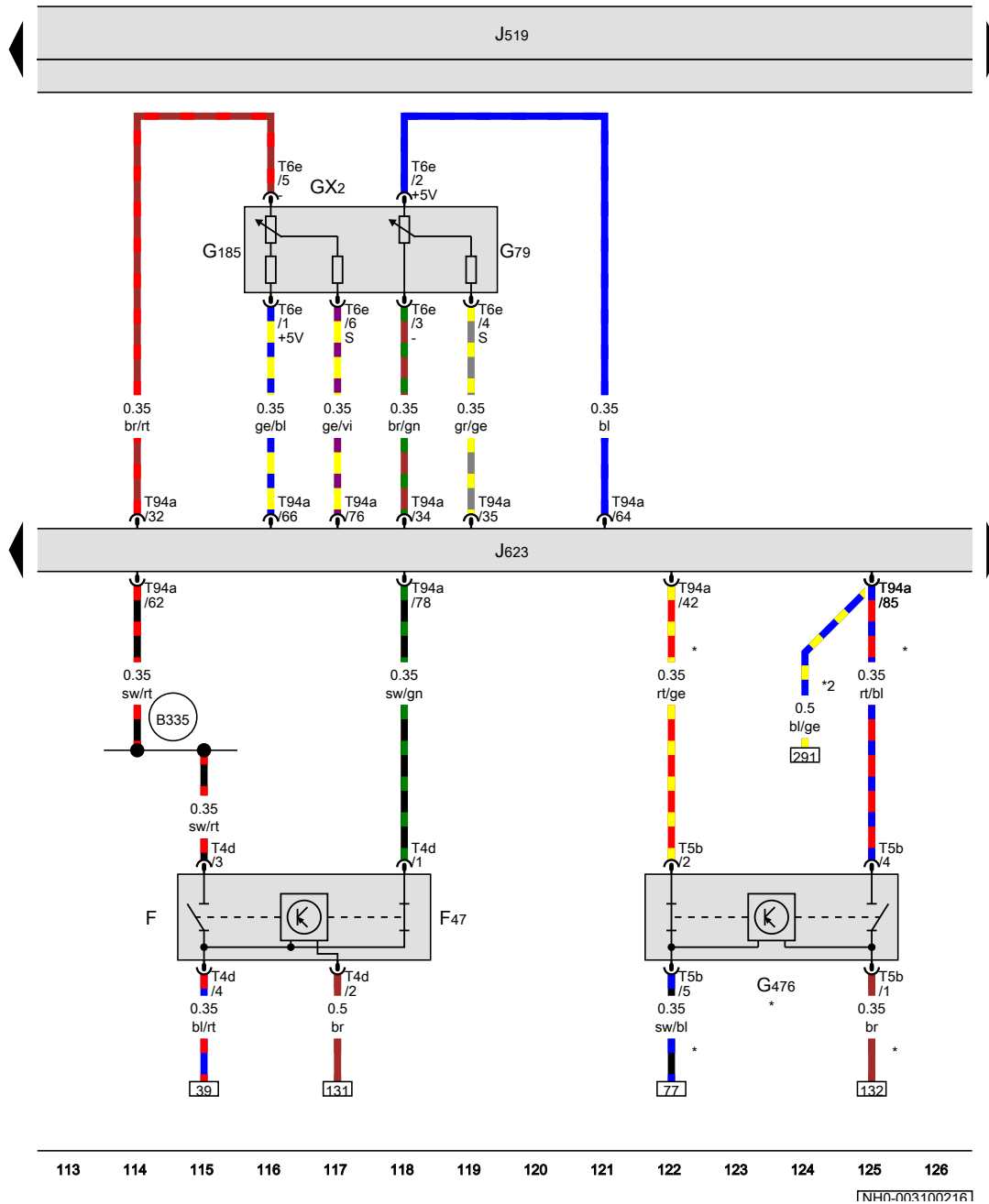
B441 Connection (CCS), in main wiring harness

* Only models with cruise control system (CCS)

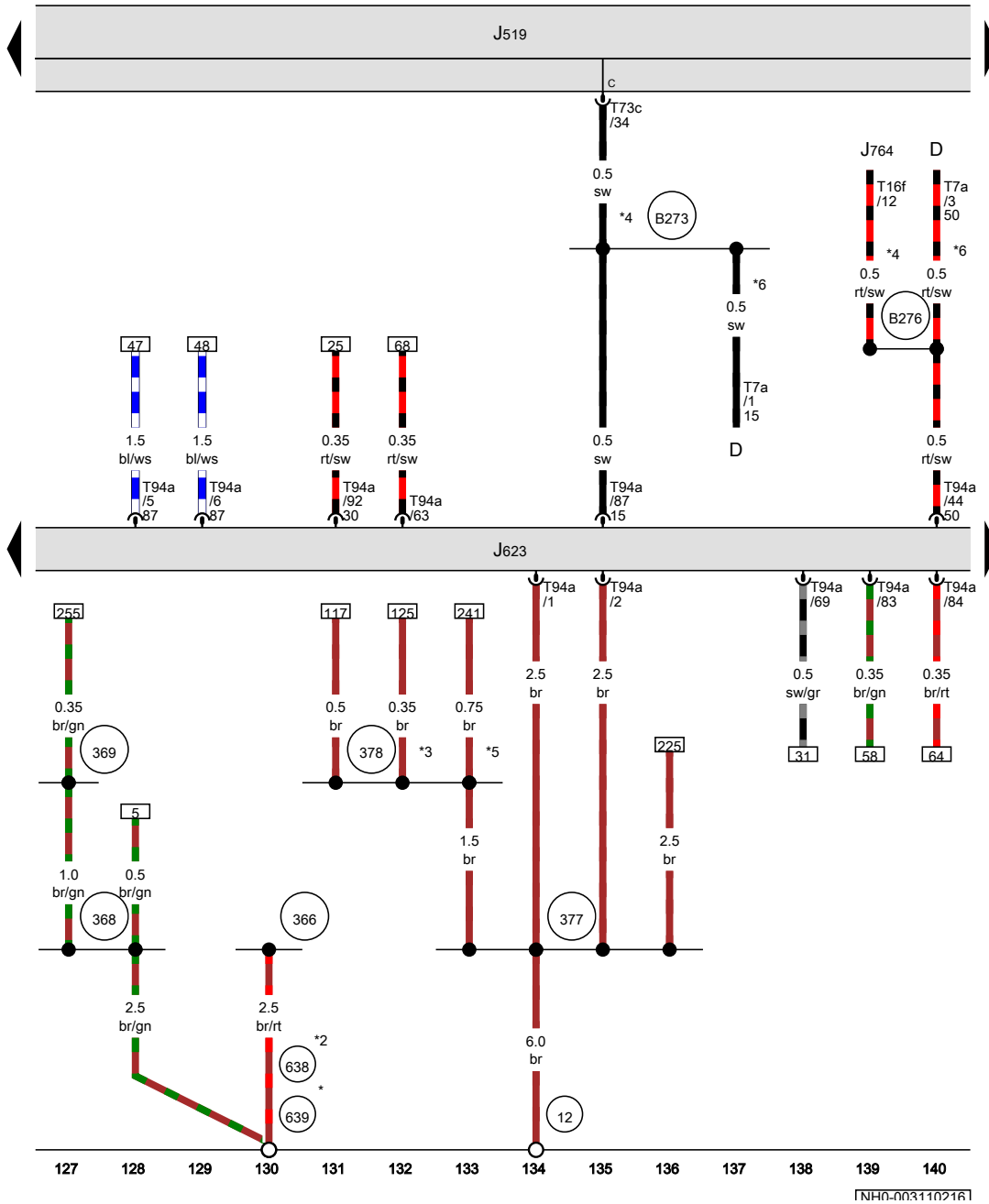


- ws = white
- sw = black
- ro = red
- rt = red
- br = brown
- gn = green
- bl = blue
- gr = grey
- li = purple
- vi = purple
- ge = yellow
- or = orange
- rs = pink

Brake pedal switch, Accelerator pedal module, Clutch position sender, Engine control unit



- F Brake light switch
- F47 Brake pedal switch
- GX2 Accelerator pedal module
- G79 Accelerator position sender
- G185 Accelerator position sender 2
- G476 Clutch position sender
- J519 Onboard supply control unit
- J623 Engine control unit
- T4d 4-pin connector
- T5b 5-pin connector
- T6e 6-pin connector
- T94a 94-pin connector
- B335 Connection 1 (54), in main wiring harness
- * Only models with manual gearbox
- *2 Only models with automatic gearbox



Engine control unit

- D Ignition/starter switch
- J519 Onboard supply control unit
- J623 Engine control unit
- J764 Control unit for electronic steering column lock
- T7a 7-pin connector
- T16f 16-pin connector
- T73c 73-pin connector, black
- T94a 94-pin connector

- 12 Earth point, on left in engine compartment
- 366 Earth connection 1, in main wiring harness
- 368 Earth connection 3, in main wiring harness
- 369 Earth connection 4, in main wiring harness
- 377 Earth connection 12, in main wiring harness
- 378 Earth connection 13, in main wiring harness
- 638 Earth point, on right A-pillar
- 639 Earth point, left A-pillar
- B273 Positive connection (15), in main wiring harness
- B276 Positive connection (50), in main wiring harness

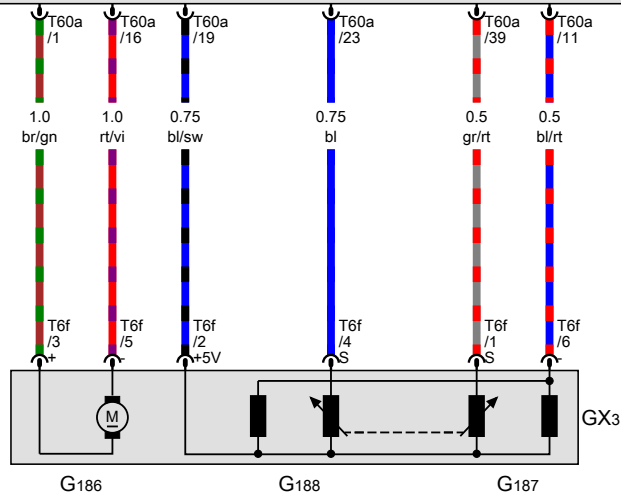
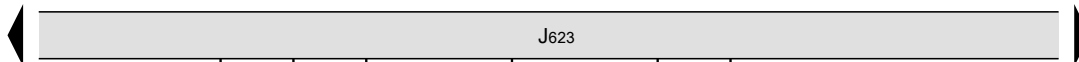
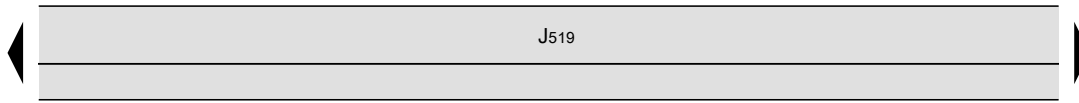
- * Only left-hand drive models
- *2 Only right-hand drive models
- *3 Only models with manual gearbox
- *4 Only models with entry and start authorisation
- *5 Only models with extended servicing intervals (ESI)
- *6 Only models with no entry and start authorisation

- ws = white
- sw = black
- ro = red
- rt = red
- br = brown
- gn = green
- bl = blue
- gr = grey
- li = purple
- vi = purple
- ge = yellow
- or = orange
- rs = pink

1NH0-0031102161

Throttle valve module, Engine control unit

- GX3 Throttle valve module
- G186 Throttle valve drive for electric throttle
- G187 Throttle valve drive angle sender 1 for electric throttle
- G188 Throttle valve drive angle sender 2 for electric throttle
- J519 Onboard supply control unit
- J623 Engine control unit
- T6f 6-pin connector
- T60a 60-pin connector



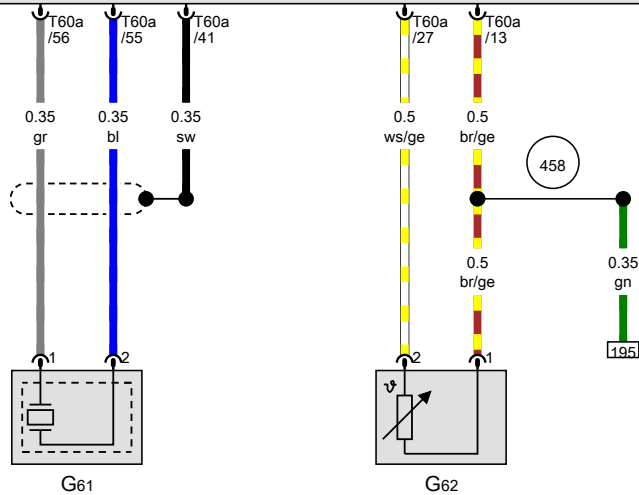
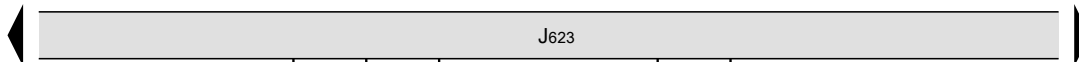
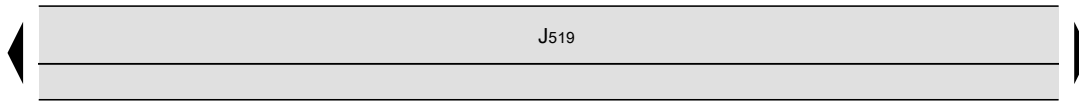
- ws = white
- sw = black
- ro = red
- rt = red
- br = brown
- gn = green
- bl = blue
- gr = grey
- li = purple
- vi = purple
- ge = yellow
- or = orange
- rs = pink

141 142 143 144 145 146 147 148 149 150 151 152 153 154

[NH0-003120216]

Knock sensor 1, Coolant temperature sender, Engine control unit

- G61 Knock sensor 1
- G62 Coolant temperature sender
- J519 Onboard supply control unit
- J623 Engine control unit
- T60a 60-pin connector
- 458 Earth point 3, engine prewiring harness



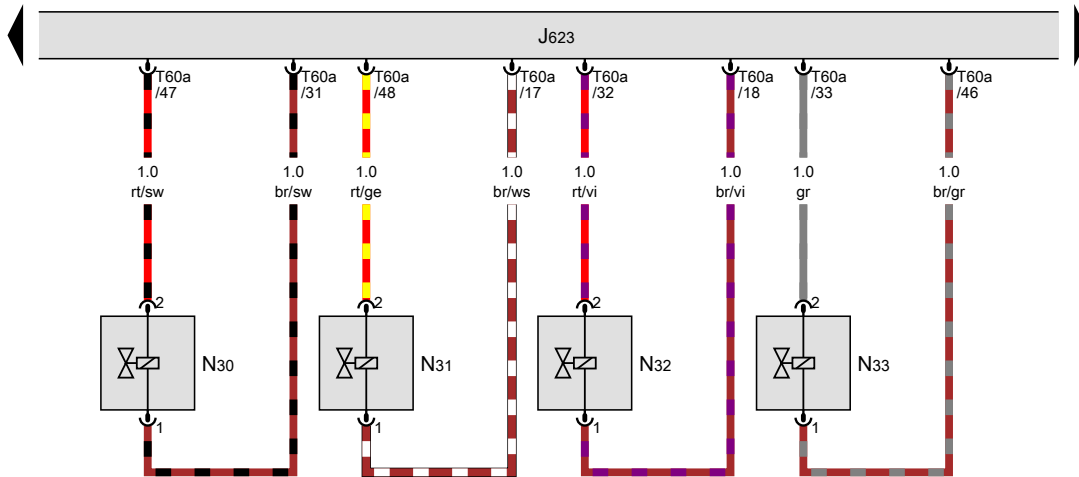
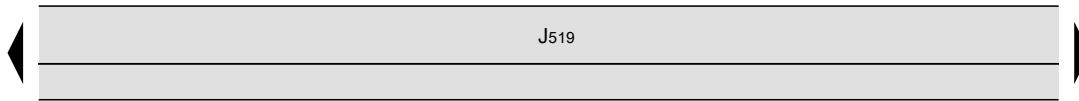
- ws = white
- sw = black
- ro = red
- rt = red
- br = brown
- gn = green
- bl = blue
- gr = grey
- li = purple
- vi = purple
- ge = yellow
- or = orange
- rs = pink

155 156 157 158 159 160 161 162 163 164 165 166 167 168

[NH0-003130216]

Engine control unit, Injector, cylinder 1, Injector, cylinder 2, Injector, cylinder 3, Injector, cylinder 4

- J519 Onboard supply control unit
- J623 Engine control unit
- N30 Injector, cylinder 1
- N31 Injector, cylinder 2
- N32 Injector, cylinder 3
- N33 Injector, cylinder 4
- T60a 60-pin connector



- ws = white
- sw = black
- ro = red
- rt = red
- br = brown
- gn = green
- bl = blue
- gr = grey
- li = purple
- vi = purple
- ge = yellow
- or = orange
- rs = pink

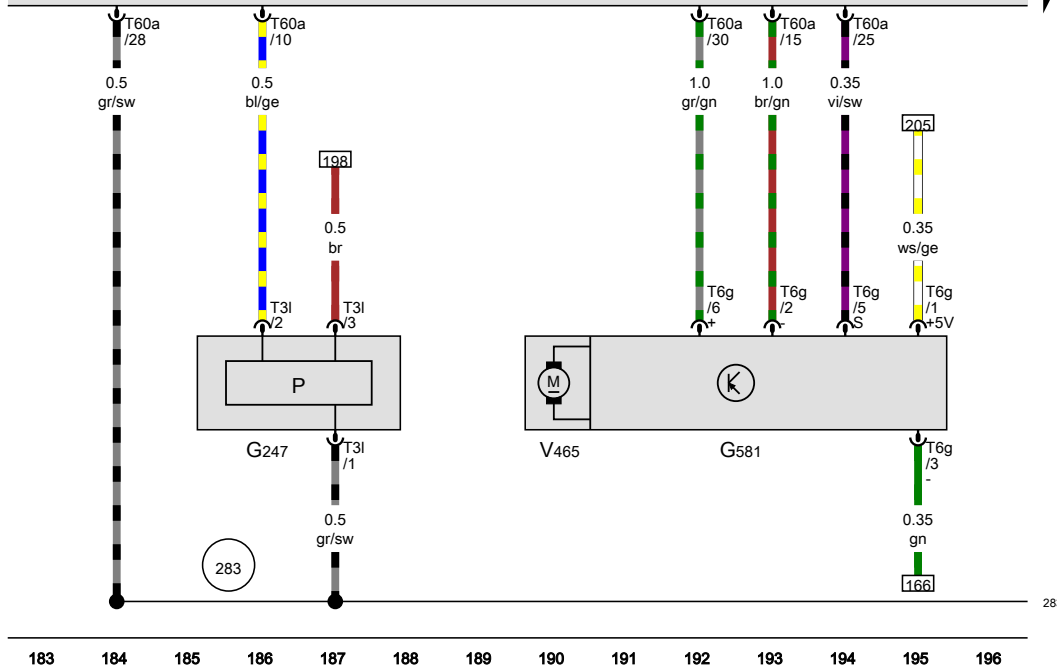
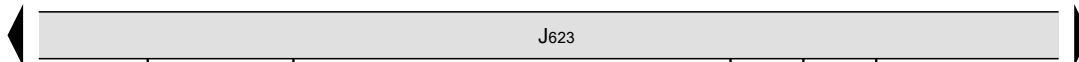
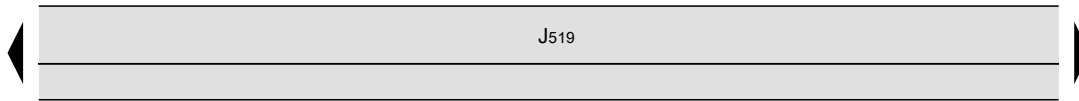
169 170 171 172 173 174 175 176 177 178 179 180 181 182

[NH0-003140216]

Fuel pressure sender, Position sender for charge pressure positioner, Engine control unit, Charge pressure positioner

- G247 Fuel pressure sender
- G581 Position sender for charge pressure positioner
- J519 Onboard supply control unit
- J623 Engine control unit
- T3I 3-pin connector
- T6g 6-pin connector
- T60a 60-pin connector
- V465 Charge pressure positioner

- 283 Earth point 2, engine prewiring harness



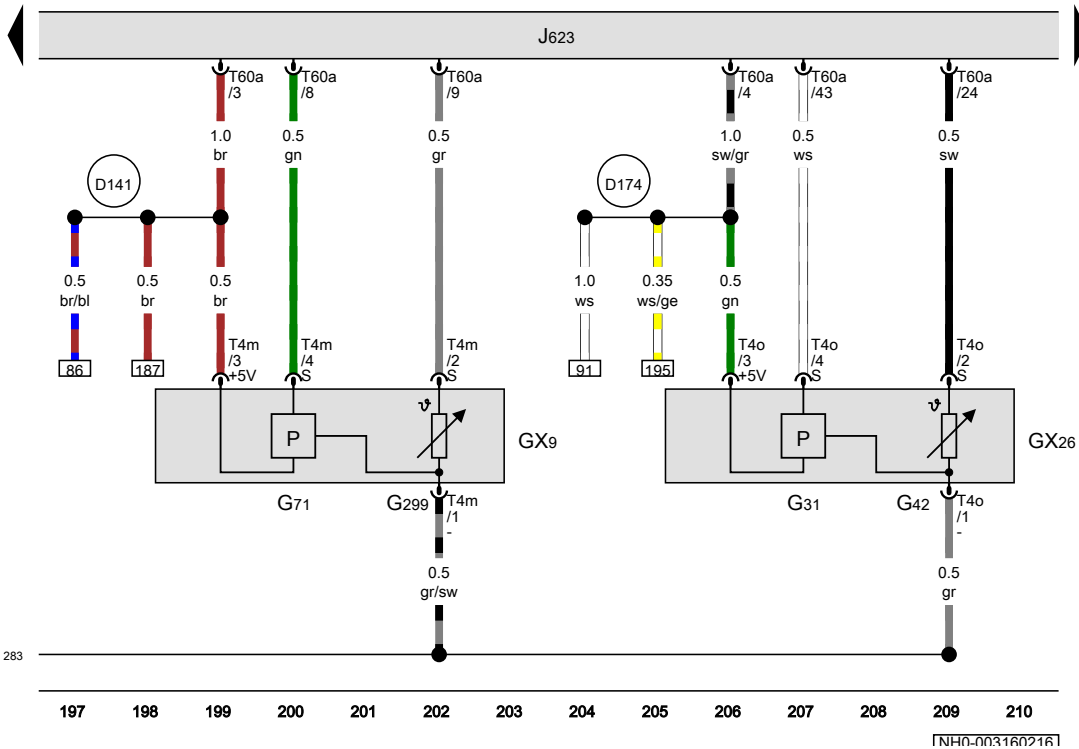
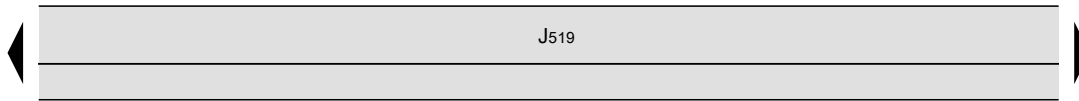
- ws = white
- sw = black
- ro = red
- rt = red
- br = brown
- gn = green
- bl = blue
- gr = grey
- li = purple
- vi = purple
- ge = yellow
- or = orange
- rs = pink

[NH0-003150216]

Intake manifold sender, Charge pressure sender, Engine control unit

- GX9 Intake manifold sender
- GX26 Charge pressure sender
- G31 Charge pressure sender
- G42 Intake air temperature sender
- G71 Intake manifold pressure sender
- G299 Intake air temperature sender 2
- J519 Onboard supply control unit
- J623 Engine control unit
- T4m 4-pin connector
- T4o 4-pin connector
- T60a 60-pin connector

- 283 Earth point 2, engine prewiring harness
- D141 Connection (5V) in engine prewiring harness
- D174 Connection 2 (5V) in engine prewiring harness



- ws = white
- sw = black
- ro = red
- rt = red
- br = brown
- gn = green
- bl = blue
- gr = grey
- li = purple
- vi = purple
- ge = yellow
- or = orange
- rs = pink

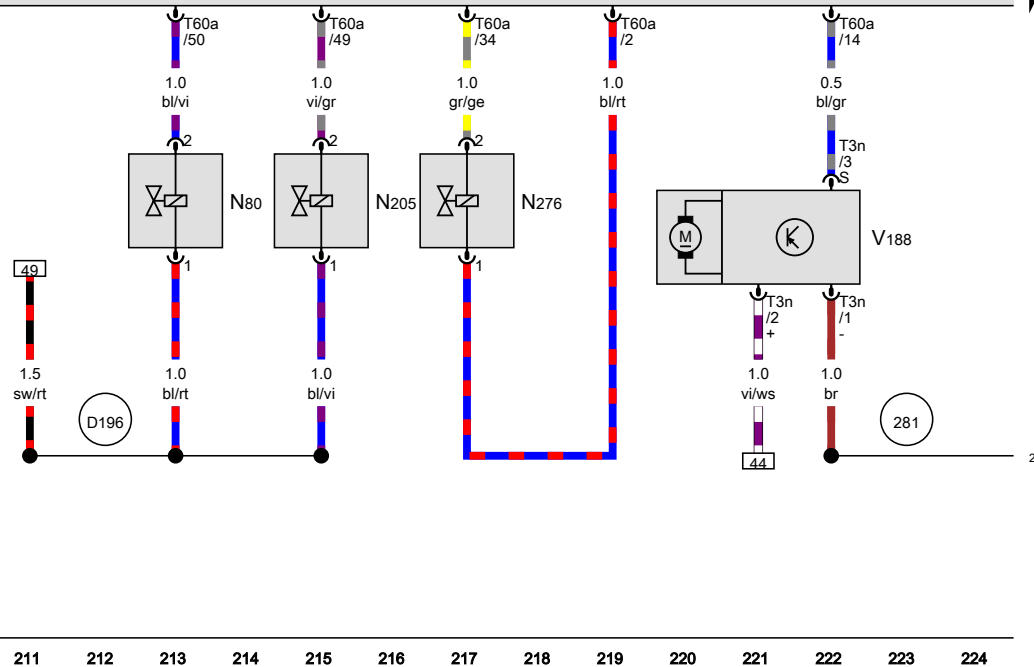
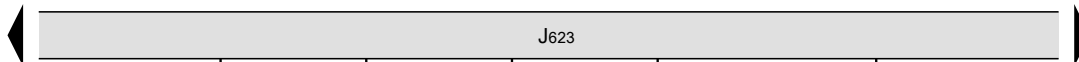
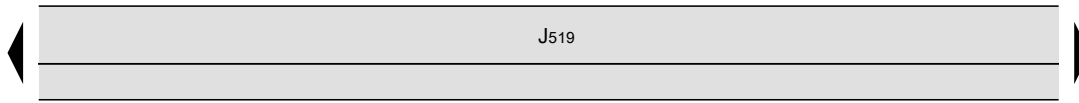
[NH0-003160216]

Engine control unit, Activated charcoal filter solenoid valve 1, Camshaft control valve 1, Fuel pressure regulating valve, Charge air cooling pump

- J519 Onboard supply control unit
- J623 Engine control unit
- N80 Activated charcoal filter solenoid valve 1
- N205 Camshaft control valve 1
- N276 Fuel pressure regulating valve
- T3n 3-pin connector
- T60a 60-pin connector
- V188 Charge air cooling pump

281 Earth point 1, engine prewiring harness

D196 Connection 2 (87a) in engine prewiring harness



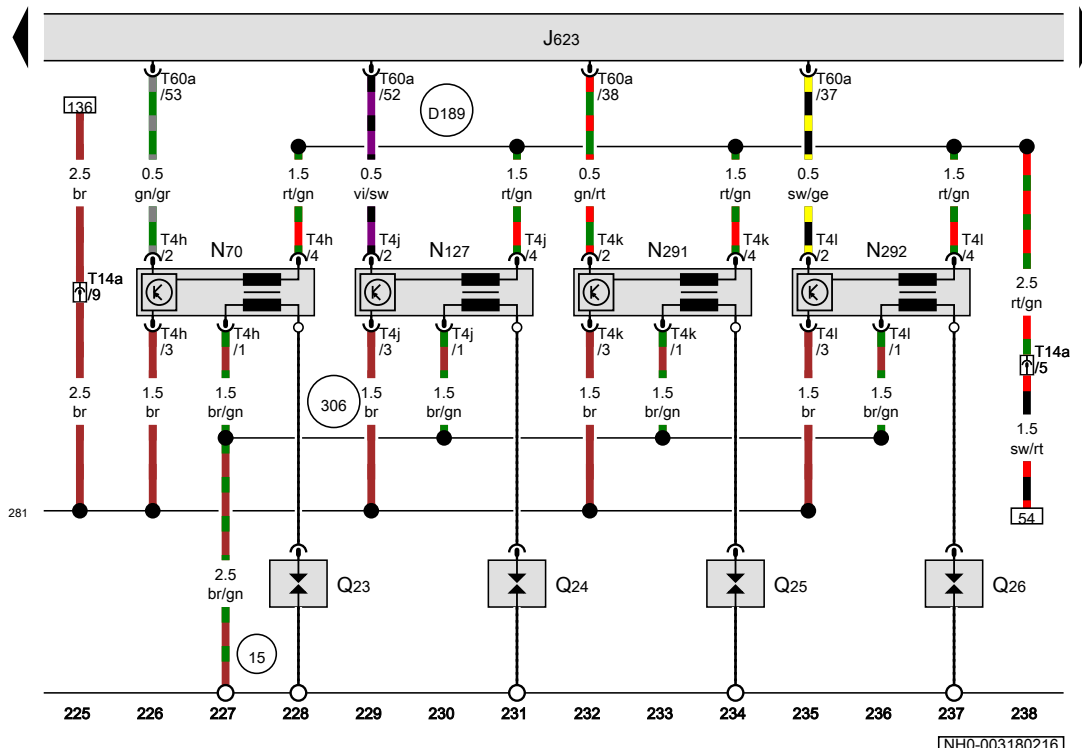
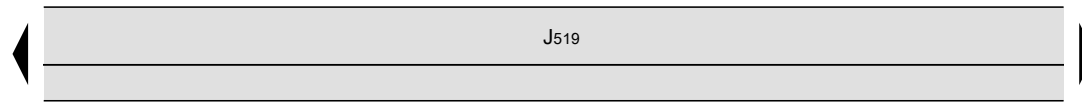
- ws = white
- sw = black
- ro = red
- rt = red
- br = brown
- gn = green
- bl = blue
- gr = grey
- li = purple
- vi = purple
- ge = yellow
- or = orange
- rs = pink

[NH0-003170216]

Engine control unit, Ignition coil 1 with output stage, Ignition coil 2 with output stage, Ignition coil 3 with output stage, Ignition coil 4 with output stage

- J519 Onboard supply control unit
- J623 Engine control unit
- N70 Ignition coil 1 with output stage
- N127 Ignition coil 2 with output stage
- N291 Ignition coil 3 with output stage
- N292 Ignition coil 4 with output stage
- Q23 Spark plug 1
- Q24 Spark plug 2
- Q25 Spark plug 3
- Q26 Spark plug 4
- T4h 4-pin connector
- T4j 4-pin connector
- T4k 4-pin connector
- T4l 4-pin connector
- T14a 14-pin connector, front left in engine compartment
- T60a 60-pin connector

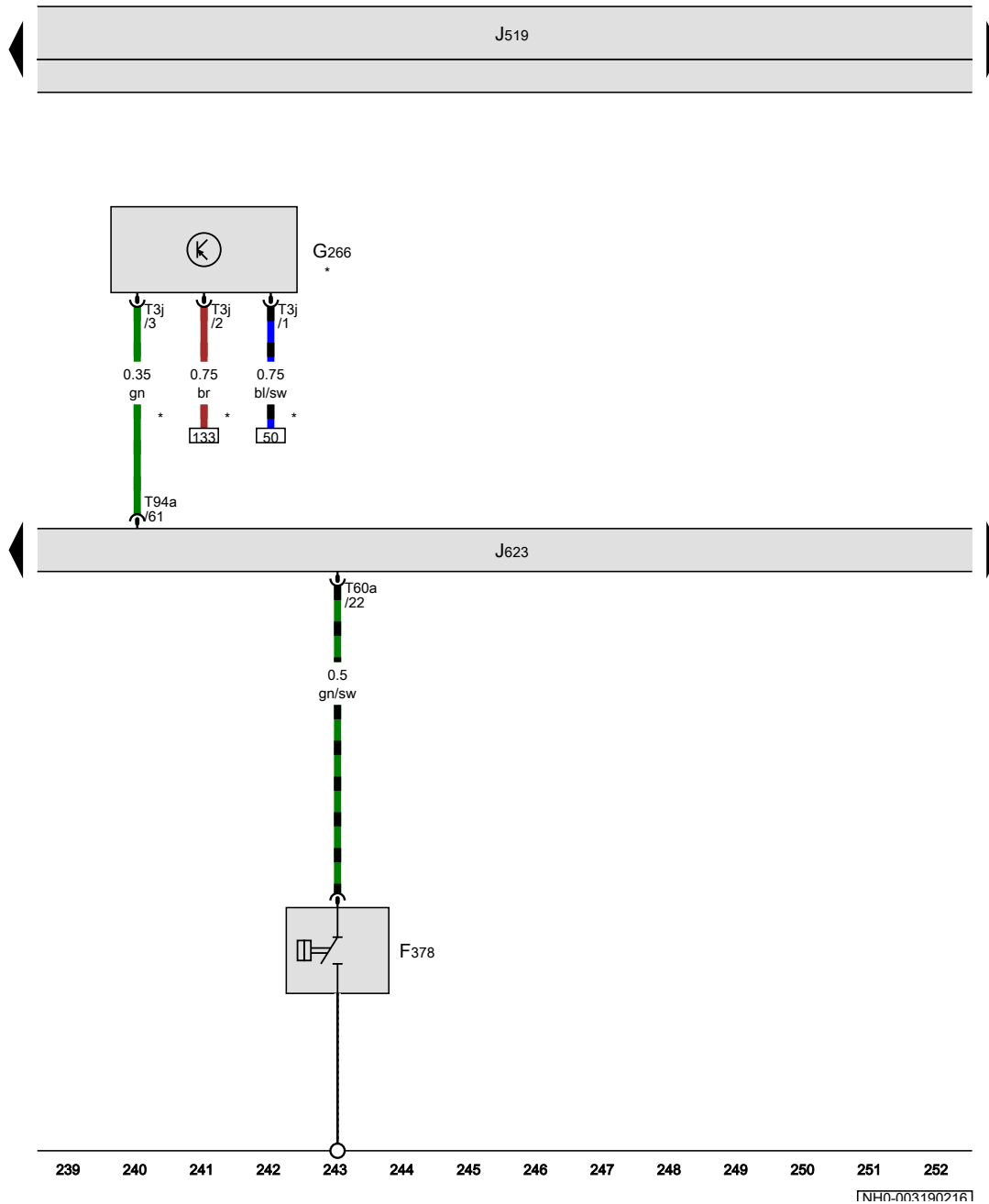
- 15 Earth point, on cylinder head
- 281 Earth point 1, engine prewiring harness
- 306 Earth connection (ignition coils), in engine prewiring harness
- D189 Connection (87a) in engine prewiring harness



- ws = white
- sw = black
- ro = red
- rt = red
- br = brown
- gn = green
- bl = blue
- gr = grey
- li = purple
- vi = purple
- ge = yellow
- or = orange
- rs = pink

Oil pressure switch for reduced oil pressure, Oil level and oil temperature sender, Engine control unit

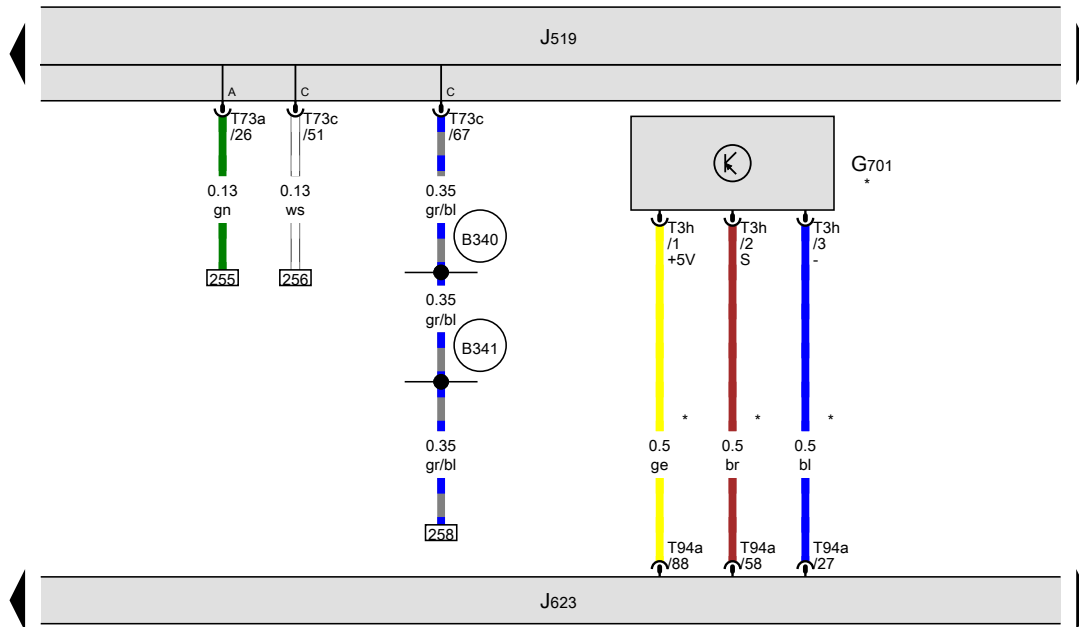
- F378 Oil pressure switch for reduced oil pressure
- G266 Oil level and oil temperature sender
- J519 Onboard supply control unit
- J623 Engine control unit
- T3j 3-pin connector
- T60a 60-pin connector
- T94a 94-pin connector
- * Only models with extended servicing intervals (ESI)



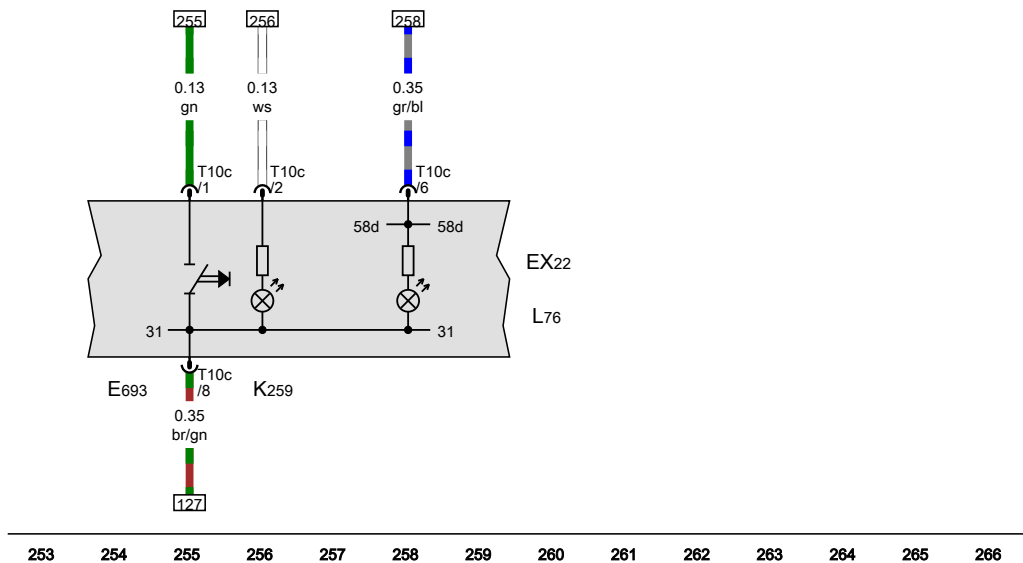
- ws = white
- sw = black
- ro = red
- rt = red
- br = brown
- gn = green
- bl = blue
- gr = grey
- li = purple
- vi = purple
- ge = yellow
- or = orange
- rs = pink

[NH0-003190216]

Centre switch module in dash panel, Start/Stop operation button, Gearbox neutral position sender, Engine control unit



- EX22 Centre switch module in dash panel
 - E693 Start/Stop operation button
 - G701 Gearbox neutral position sender
 - J519 Onboard supply control unit
 - J623 Engine control unit
 - K259 Start/Stop operation warning lamp
 - L76 Button illumination bulb
 - T3h 3-pin connector
 - T10c 10-pin connector, black
 - T73a 73-pin connector, black
 - T73c 73-pin connector, black
 - T94a 94-pin connector
- B340 Connection 1 (58d), in main wiring harness
B341 Connection 2 (58d), in main wiring harness
 * Only models with manual gearbox



- ws = white
- sw = black
- ro = red
- rt = red
- br = brown
- gn = green
- bl = blue
- gr = grey
- li = purple
- vi = purple
- ge = yellow
- or = orange
- rs = pink

253 254 255 256 257 258 259 260 261 262 263 264 265 266

[NH0-003200216]

Fuel delivery unit, Fuel pump control unit, Engine control unit

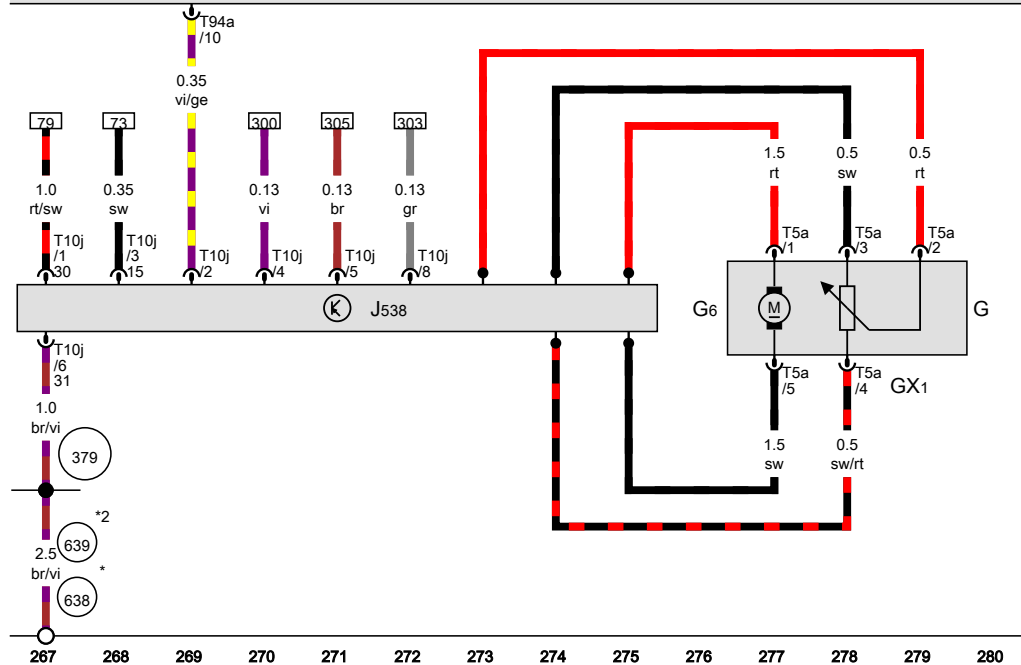
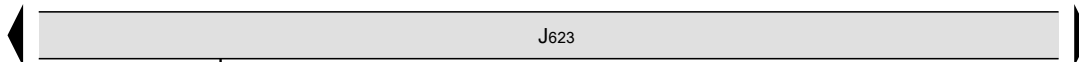
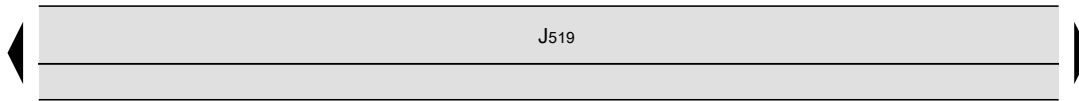
- G Fuel gauge sender
- GX1 Fuel delivery unit
- G6 Fuel system pressurisation pump
- J519 Onboard supply control unit
- J538 Fuel pump control unit
- J623 Engine control unit
- T5a 5-pin connector
- T10j 10-pin connector
- T94a 94-pin connector

379 Earth connection 14, in main wiring harness

638 Earth point, on right A-pillar

639 Earth point, left A-pillar

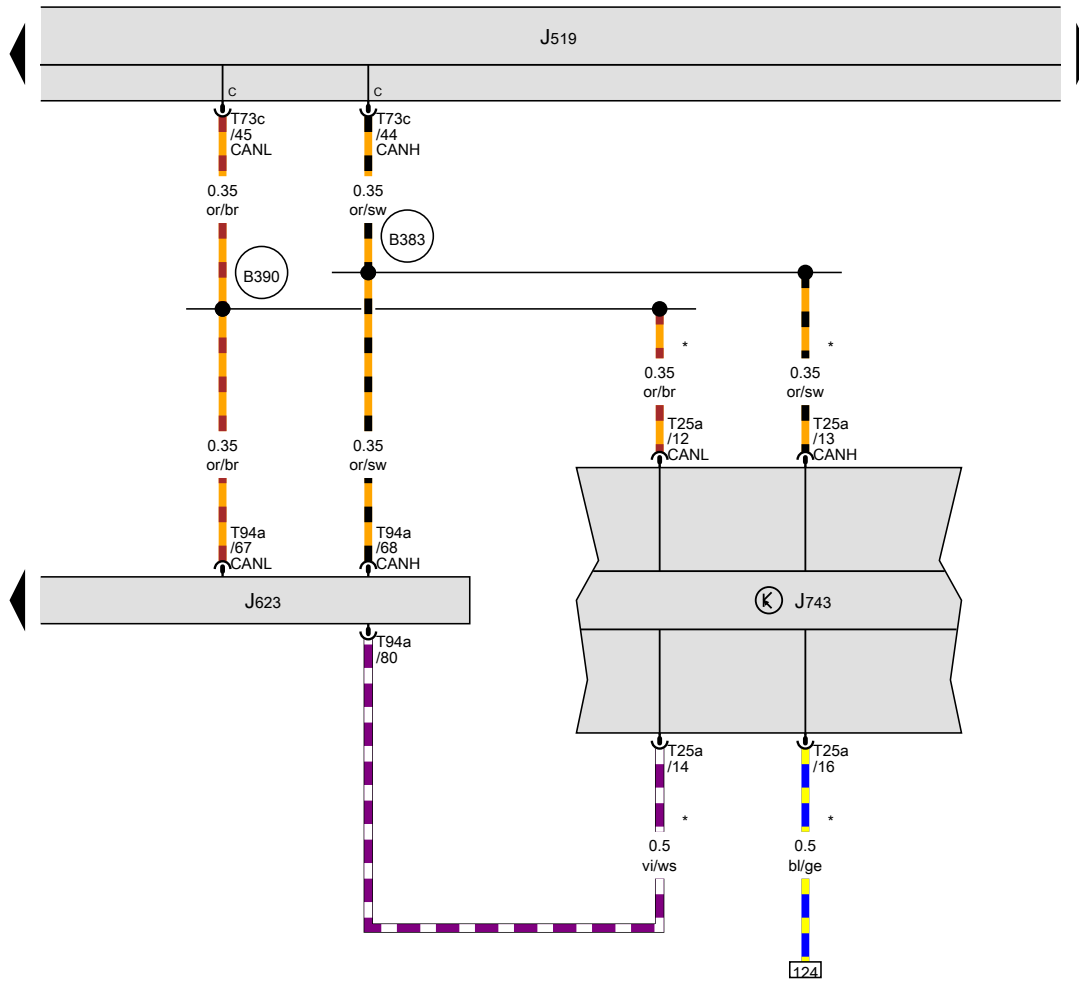
- * Only left-hand drive models
- *2 Only right-hand drive models



- ws = white
- sw = black
- ro = red
- rt = red
- br = brown
- gn = green
- bl = blue
- gr = grey
- li = purple
- vi = purple
- ge = yellow
- or = orange
- rs = pink

[NH0-003210216]

Engine control unit, Mechatronic unit for dual clutch gearbox



- J519 Onboard supply control unit
- J623 Engine control unit
- J743 Mechatronic unit for dual clutch gearbox
- T25a 25-pin connector
- T73c 73-pin connector, black
- T94a 94-pin connector

B383 Connection 1 (powertrain CAN bus, high), in main wiring harness

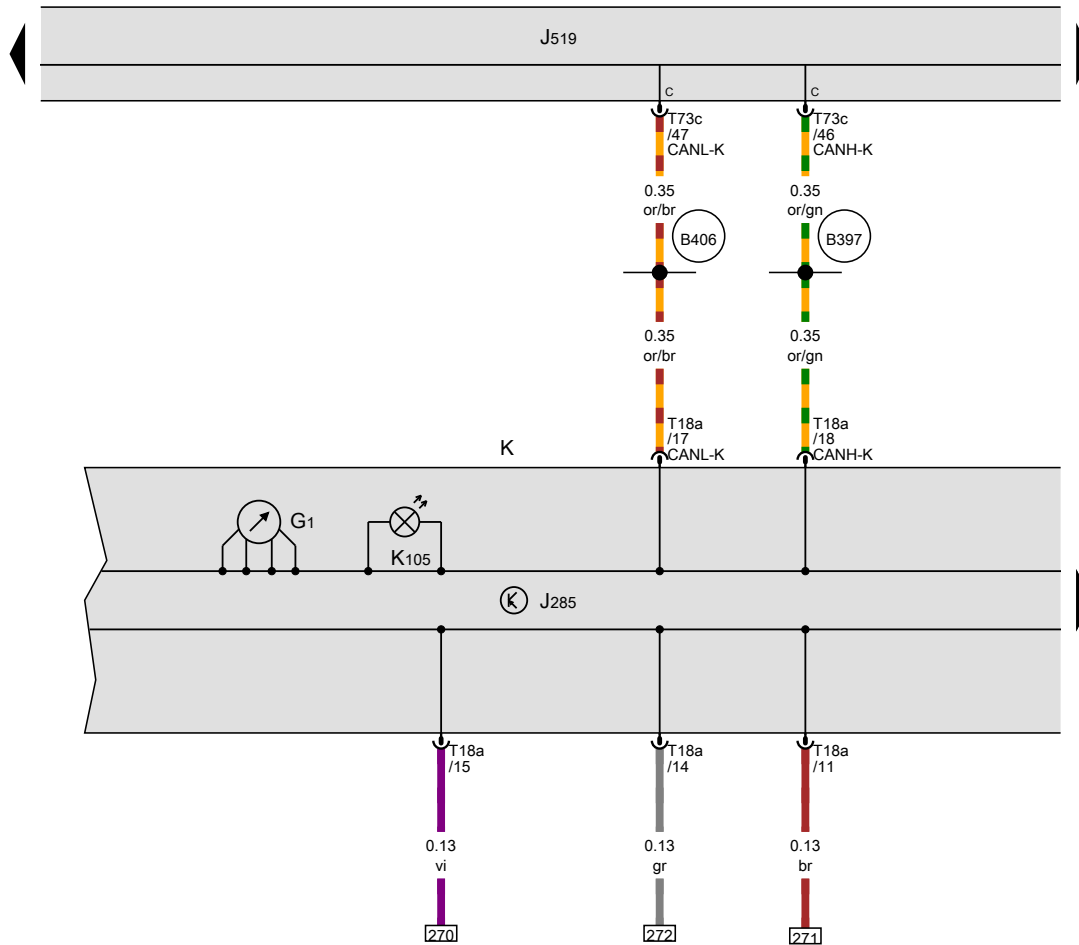
B390 Connection 1 (powertrain CAN bus, low), in main wiring harness

* Only models with automatic gearbox

- ws = white
- sw = black
- ro = red
- rt = red
- br = brown
- gn = green
- bl = blue
- gr = grey
- li = purple
- vi = purple
- ge = yellow
- or = orange
- rs = pink

281 282 283 284 285 286 287 288 289 290 291 292 293 294

[NH0-003220216]



Fuel gauge, Dash panel insert

- G1 Fuel gauge
- J285 Control unit in dash panel insert
- J519 Onboard supply control unit
- K Dash panel insert
- K105 Reserve fuel warning lamp
- T18a 18-pin connector
- T73c 73-pin connector, black
- B397** Connection 1 (convenience CAN bus, high), in main wiring harness
- B406** Connection 1 (convenience CAN bus, low), in main wiring harness

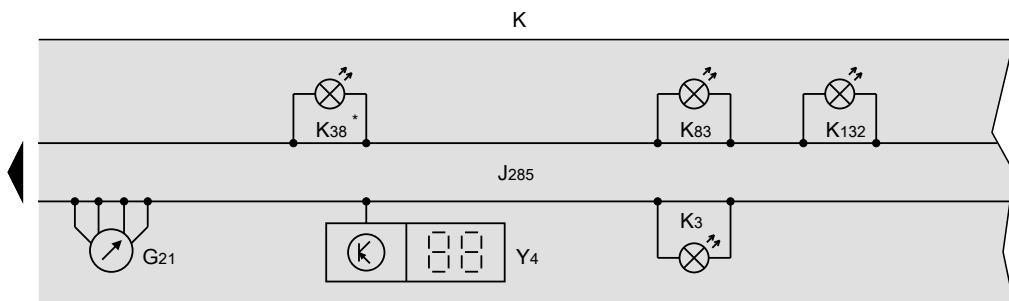
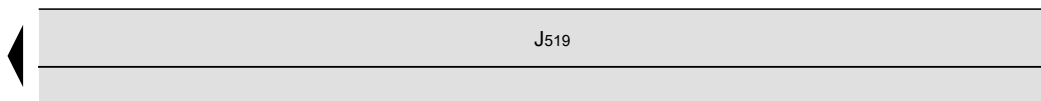
- ws = white
- sw = black
- ro = red
- rt = red
- br = brown
- gn = green
- bl = blue
- gr = grey
- li = purple
- vi = purple
- ge = yellow
- or = orange
- rs = pink

295 296 297 298 299 300 301 302 303 304 305 306 307 308

[NH0-003230216]

Speedometer, Dash panel insert, Trip counter

- G21 Speedometer
- J285 Control unit in dash panel insert
- J519 Onboard supply control unit
- K Dash panel insert
- K3 Oil pressure warning lamp
- K38 Oil level warning lamp
- K83 Exhaust emissions warning lamp
- K132 Electronic power control fault lamp
- Y4 Trip counter
- * Only models with extended servicing intervals (ESI)



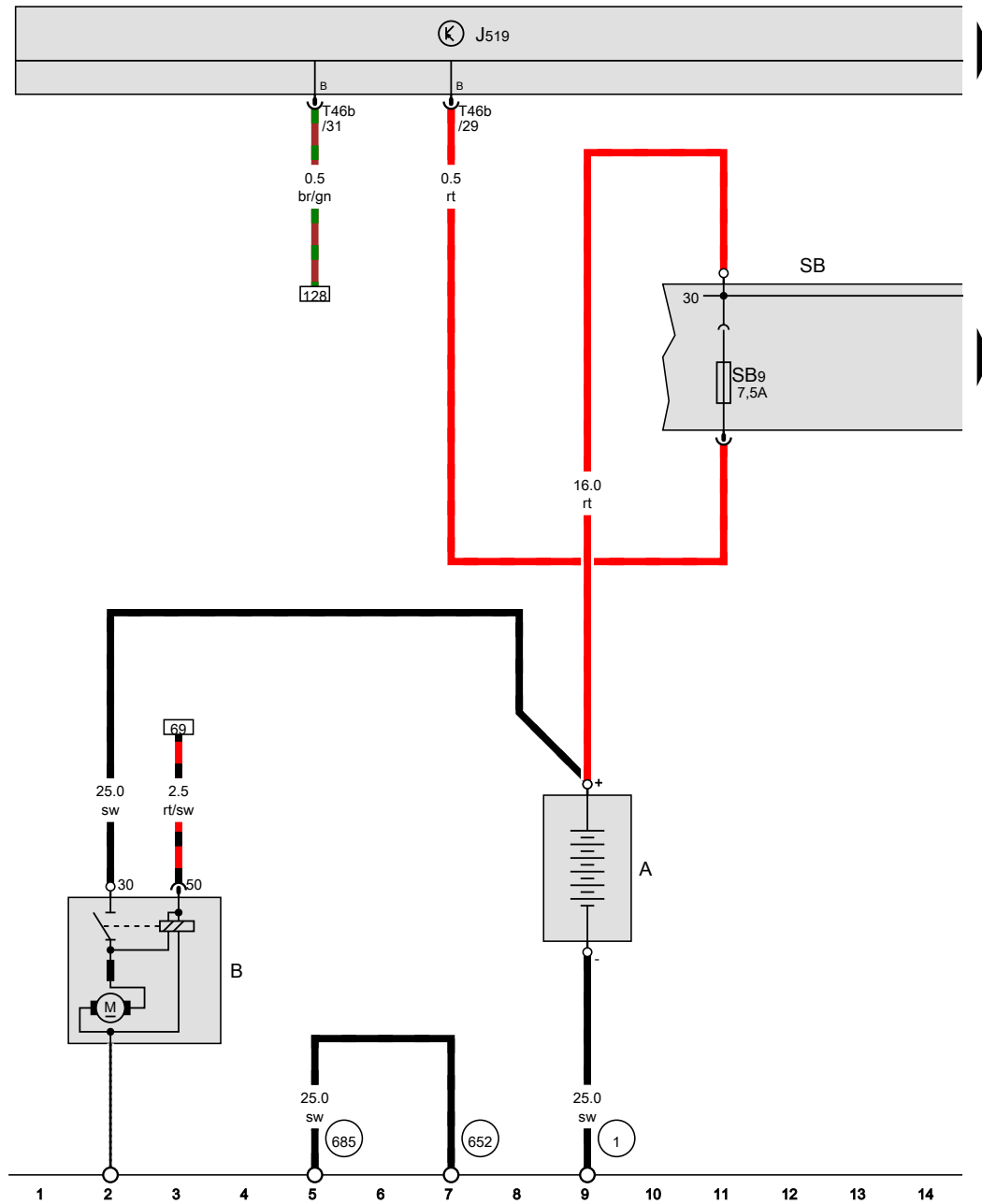
- ws = white
- sw = black
- ro = red
- rt = red
- br = brown
- gn = green
- bl = blue
- gr = grey
- li = purple
- vi = purple
- ge = yellow
- or = orange
- rs = pink

309 310 311 312 313 314 315 316 317 318 319 320 321 322

[NH0-003240216]

1.4l petrol engine , CZCA,(7L3)

From May 2015



Battery, Starter, Fuse holder B

- A Battery
- B Starter
- J519 Onboard supply control unit
- SB Fuse holder B
- SB9 Fuse 9 on fuse holder B
- T46b 46-pin connector, brown
- 1 Earth strap, battery - body
- 652 Earth point, engine and gearbox earth
- 685 Earth point 1 at front of right longitudinal member

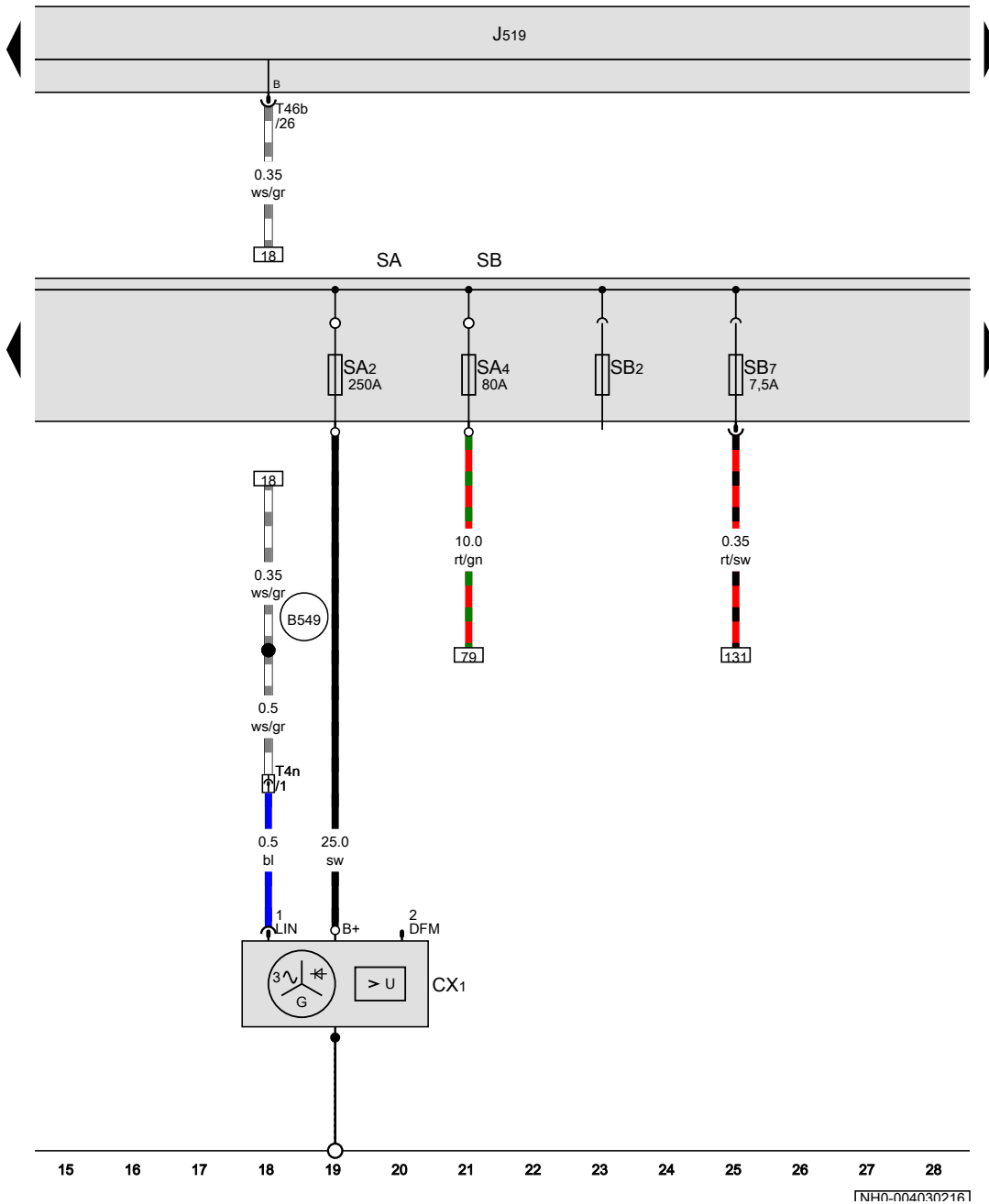
- ws = white
- sw = black
- ro = red
- rt = red
- br = brown
- gn = green
- bl = blue
- gr = grey
- li = purple
- vi = purple
- ge = yellow
- or = orange
- rs = pink

[NH0-004020216]

Alternator with voltage regulator, Fuse holder A, Fuse holder B

- CX1 Alternator with voltage regulator
- J519 Onboard supply control unit
- SA Fuse holder A
- SA2 Fuse 2 in fuse holder A
- SB2 Fuse 2 on fuse holder B
- SA4 Fuse 4 in fuse holder A
- SB Fuse holder B
- SB7 Fuse 7 on fuse holder B
- T4n 4-pin connector, front left in engine compartment
- T46b 46-pin connector, brown

B549 Connection 2 (LIN bus) in main wiring harness

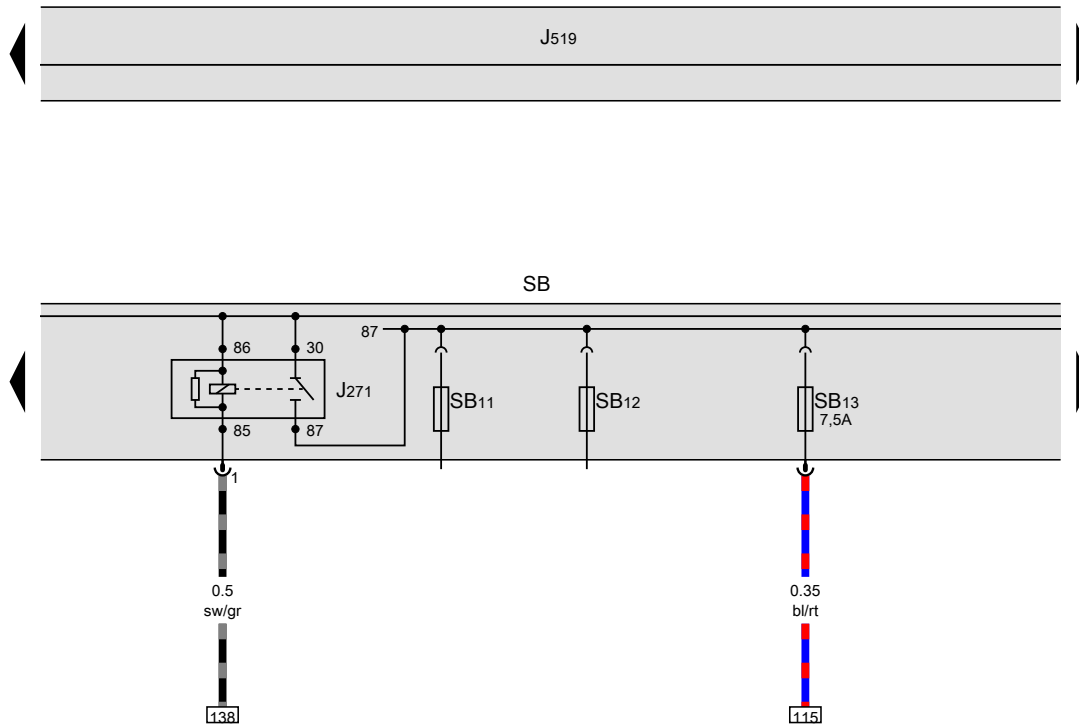


- ws = white
- sw = black
- ro = red
- rt = red
- br = brown
- gn = green
- bl = blue
- gr = grey
- li = purple
- vi = purple
- ge = yellow
- or = orange
- rs = pink

[NH0-004030216]

Main relay, Fuse holder B

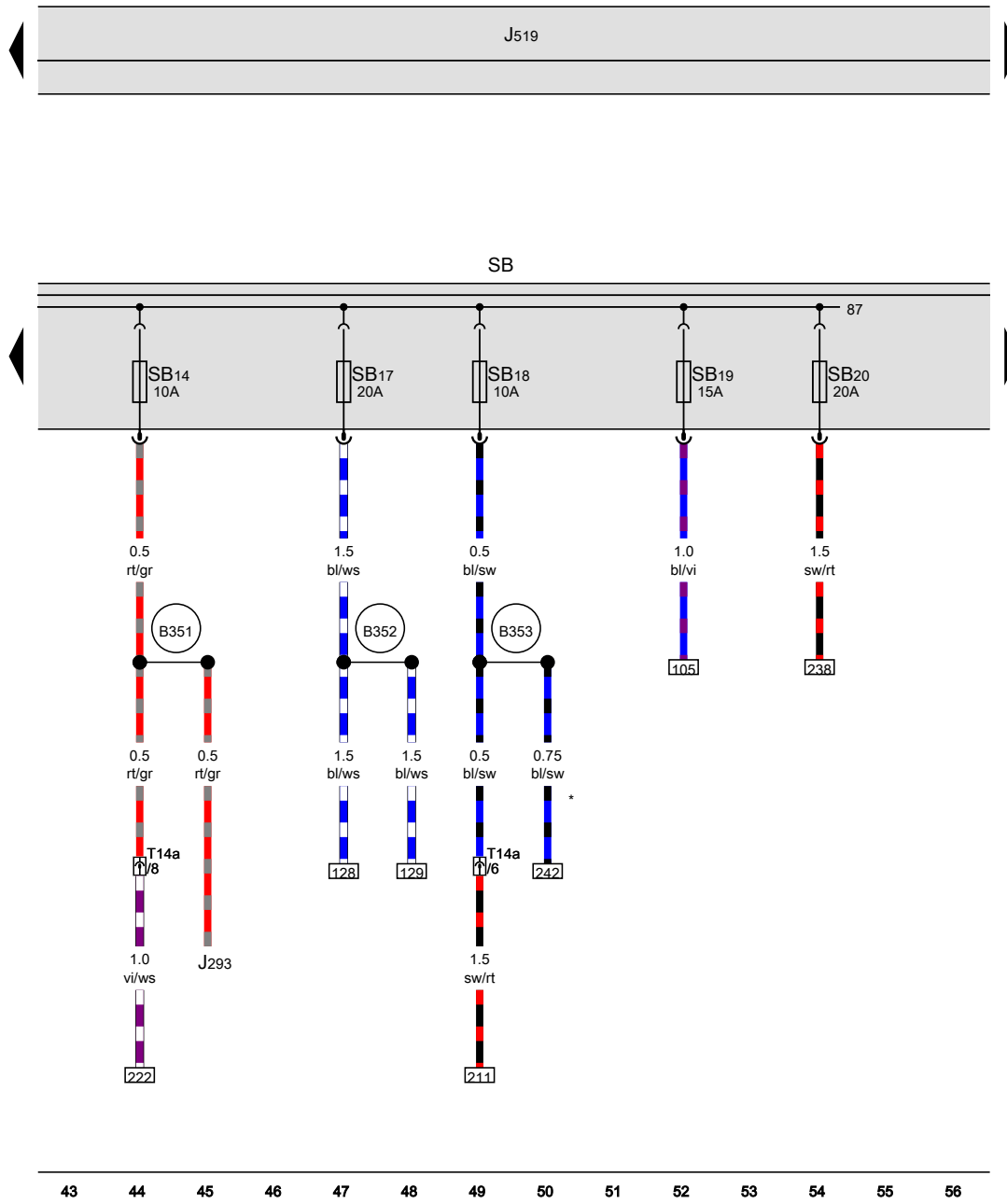
- J271 Main relay
- J519 Onboard supply control unit
- SB Fuse holder B
- SB11 Fuse 11 on fuse holder B
- SB12 Fuse 12 on fuse holder B
- SB13 Fuse 13 on fuse holder B



- ws = white
- sw = black
- ro = red
- rt = red
- br = brown
- gn = green
- bl = blue
- gr = grey
- li = purple
- vi = purple
- ge = yellow
- or = orange
- rs = pink

29 30 31 32 33 34 35 36 37 38 39 40 41 42

[NH0-004040216]



Fuse holder B

- J293 Radiator fan control unit
- J519 Onboard supply control unit
- SB Fuse holder B
- SB14 Fuse 14 on fuse holder B
- SB17 Fuse 17 on fuse holder B
- SB18 Fuse 18 on fuse holder B
- SB19 Fuse 19 on fuse holder B
- SB20 Fuse 20 on fuse holder B
- T14a 14-pin connector, front left in engine compartment

B351 Positive connection 2 (87a) in main wiring harness

B352 Positive connection 3 (87a) in main wiring harness

B353 Positive connection 4 (87a) in main wiring harness

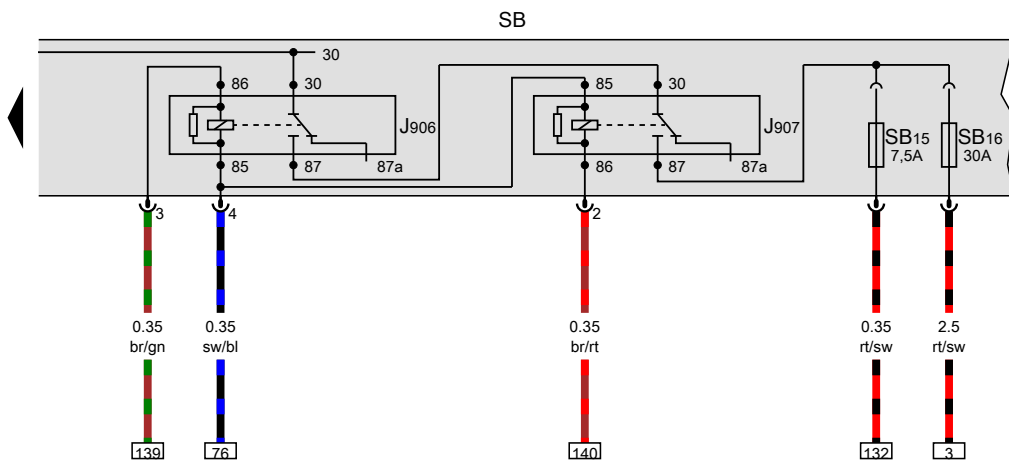
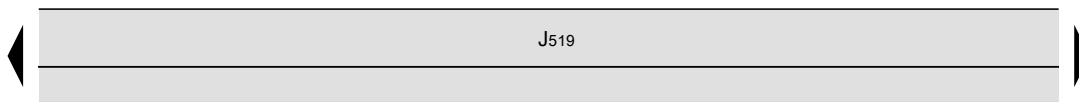
* Only models with extended servicing intervals (ESI)

- ws = white
- sw = black
- ro = red
- rt = red
- br = brown
- gn = green
- bl = blue
- gr = grey
- li = purple
- vi = purple
- ge = yellow
- or = orange
- rs = pink

[NH0-004050216]

Starter relay 1, Starter relay 2, Fuse holder B

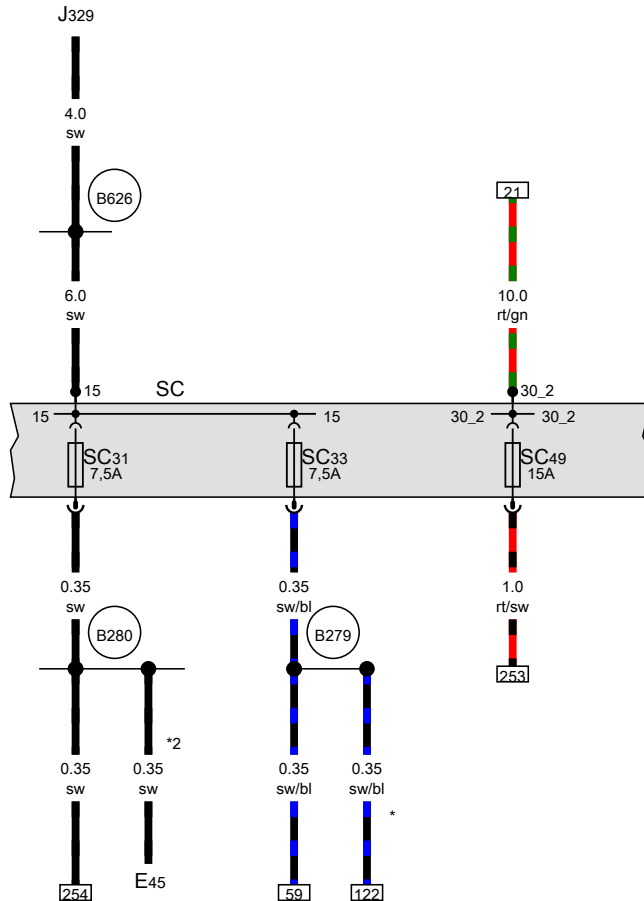
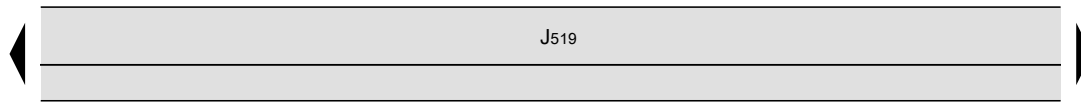
- J519 Onboard supply control unit
- J906 Starter relay 1
- J907 Starter relay 2
- SB Fuse holder B
- SB15 Fuse 15 on fuse holder B
- SB16 Fuse 16 on fuse holder B



- ws = white
- sw = black
- ro = red
- rt = red
- br = brown
- gn = green
- bl = blue
- gr = grey
- li = purple
- vi = purple
- ge = yellow
- or = orange
- rs = pink

57 58 59 60 61 62 63 64 65 66 67 68 69 70

1NH0-004060216



Fuse holder C

- E45 Cruise control system switch
- J329 Terminal 15 voltage supply relay
- J519 Onboard supply control unit
- SC Fuse holder C
- SC31 Fuse 31 on fuse holder C
- SC33 Fuse 33 on fuse holder C
- SC49 Fuse 49 on fuse holder C

- B279 Positive connection 3 (15a) in main wiring harness
- B280 Positive connection 4 (15a) in main wiring harness
- B626 Positive connection 2 (15), in main wiring harness

- * Only models with manual gearbox
- *2 Only models with cruise control system (CCS)

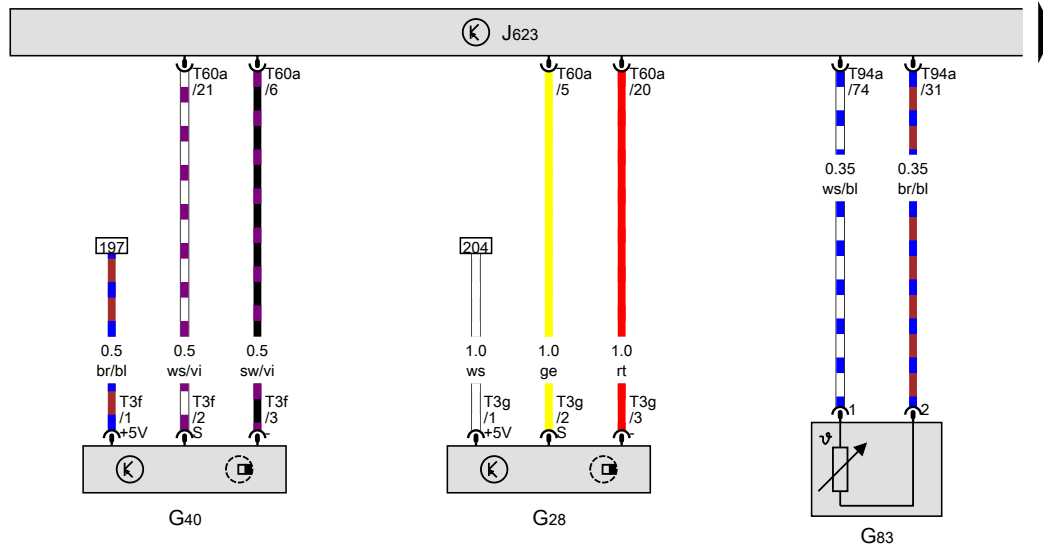
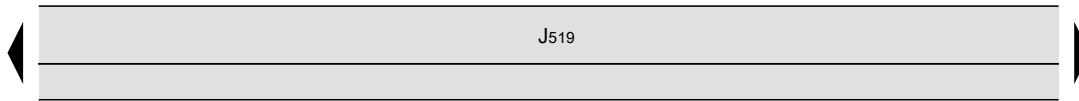
- ws = white
- sw = black
- ro = red
- rt = red
- br = brown
- gn = green
- bl = blue
- gr = grey
- li = purple
- vi = purple
- ge = yellow
- or = orange
- rs = pink

71 72 73 74 75 76 77 78 79 80 81 82 83 84

[NH0-004070216]

Engine speed sender, Hall sender, Radiator outlet coolant temperature sender, Engine control unit

- G28 Engine speed sender
- G40 Hall sender
- G83 Radiator outlet coolant temperature sender
- J519 Onboard supply control unit
- J623 Engine control unit
- T3f 3-pin connector
- T3g 3-pin connector
- T60a 60-pin connector
- T94a 94-pin connector



- ws = white
- sw = black
- ro = red
- rt = red
- br = brown
- gn = green
- bl = blue
- gr = grey
- li = purple
- vi = purple
- ge = yellow
- or = orange
- rs = pink

85 86 87 88 89 90 91 92 93 94 95 96 97 98

[NH0-0040R0216]

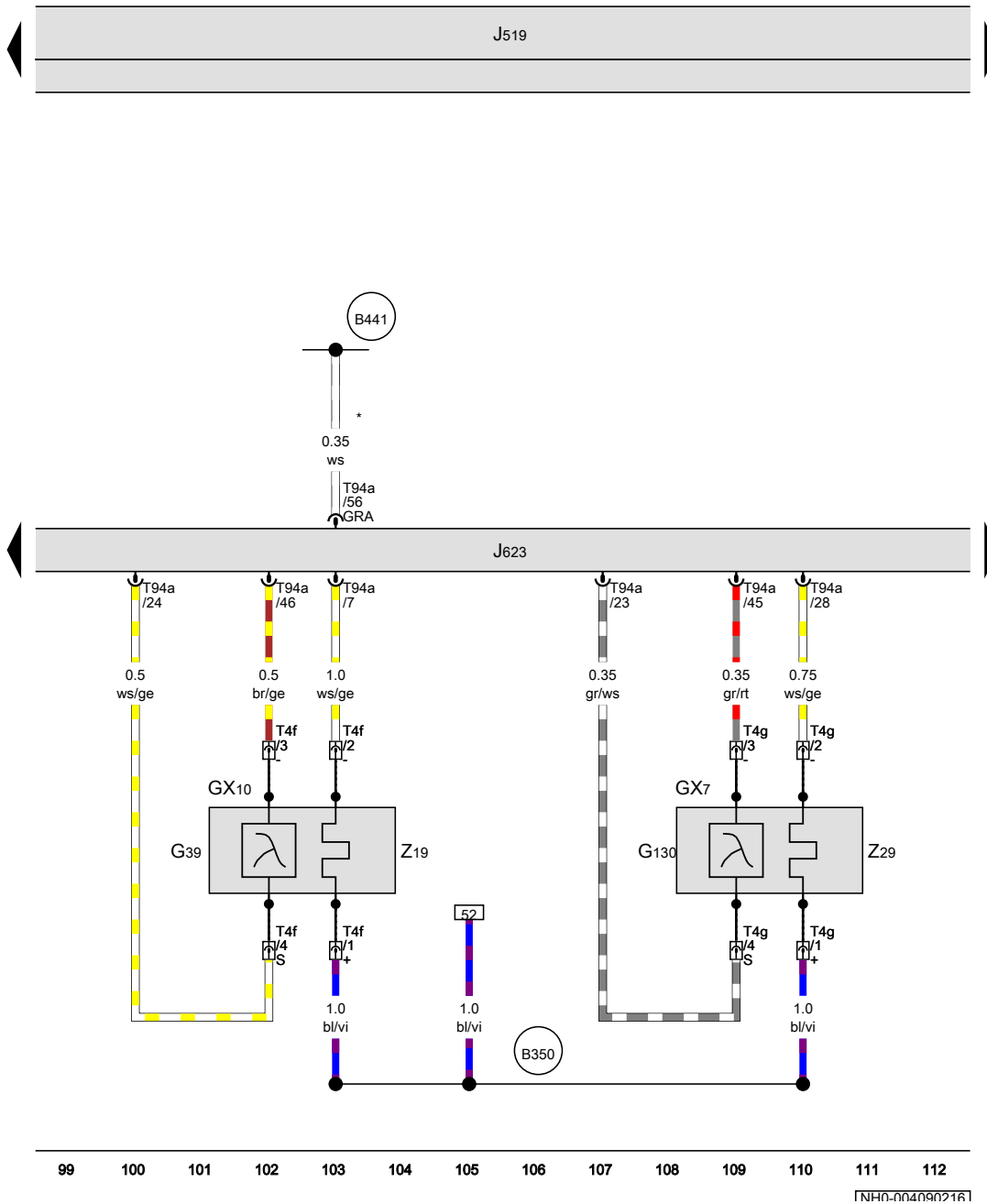
Lambda probe 1 after catalytic converter, Lambda probe 1 before catalytic converter, Engine control unit

- GX7 Lambda probe 1 after catalytic converter
- GX10 Lambda probe 1 before catalytic converter
- G39 Lambda probe
- G130 Lambda probe after catalytic converter
- J519 Onboard supply control unit
- J623 Engine control unit
- T4f 4-pin connector, brown
- T4g 4-pin connector, black
- T94a 94-pin connector
- Z19 Lambda probe heater
- Z29 Lambda probe 1 heater after catalytic converter

B350 Positive connection 1 (87a) in main wiring harness

B441 Connection (CCS), in main wiring harness

* Only models with cruise control system (CCS)



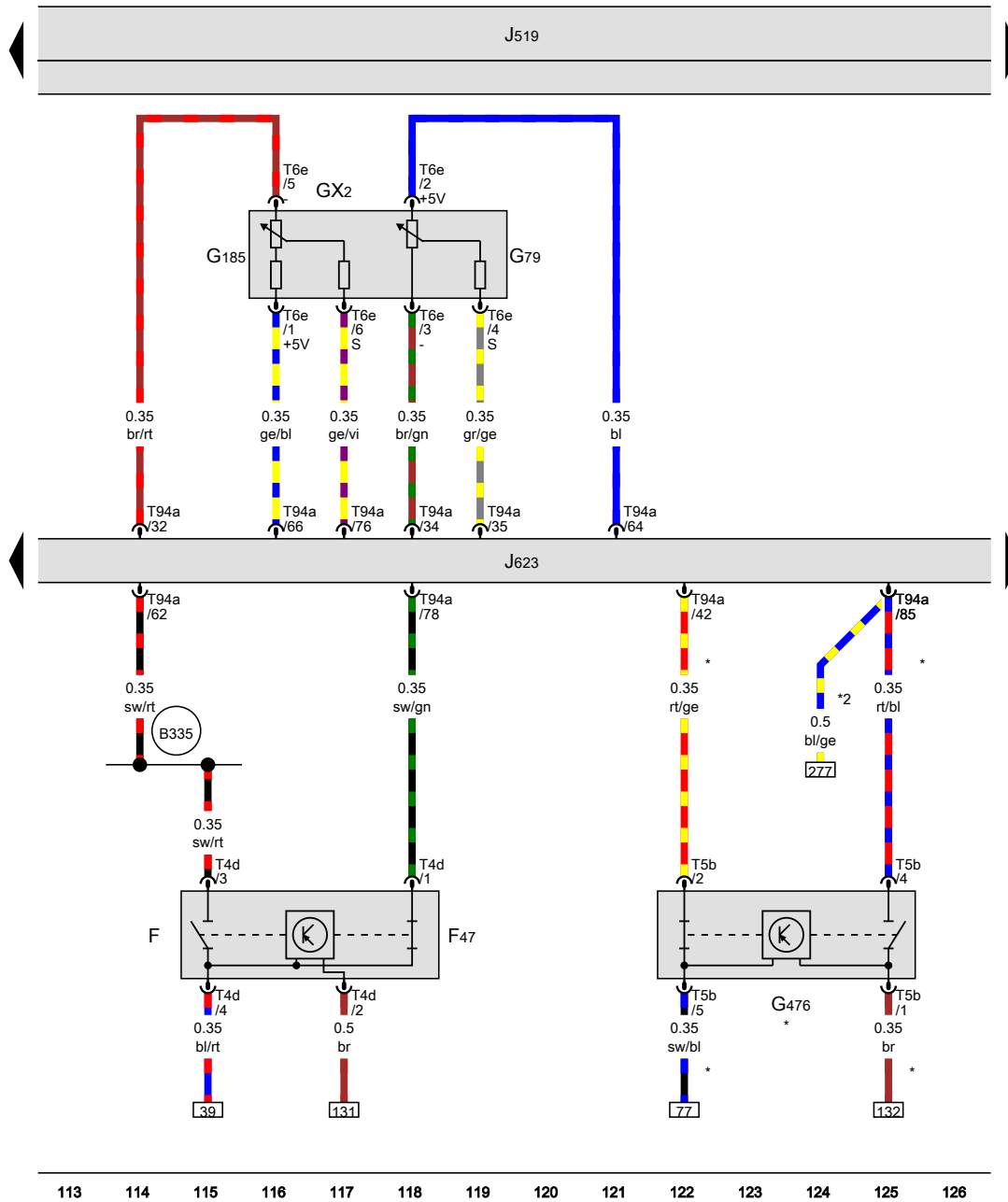
- ws = white
- sw = black
- ro = red
- rt = red
- br = brown
- gn = green
- bl = blue
- gr = grey
- li = purple
- vi = purple
- ge = yellow
- or = orange
- rs = pink

Brake pedal switch, Accelerator pedal module, Clutch position sender, Engine control unit

- F Brake light switch
- F47 Brake pedal switch
- GX2 Accelerator pedal module
- G79 Accelerator position sender
- G185 Accelerator position sender 2
- G476 Clutch position sender
- J519 Onboard supply control unit
- J623 Engine control unit
- T4d 4-pin connector
- T5b 5-pin connector
- T6e 6-pin connector
- T94a 94-pin connector

B335 Connection 1 (54), in main wiring harness

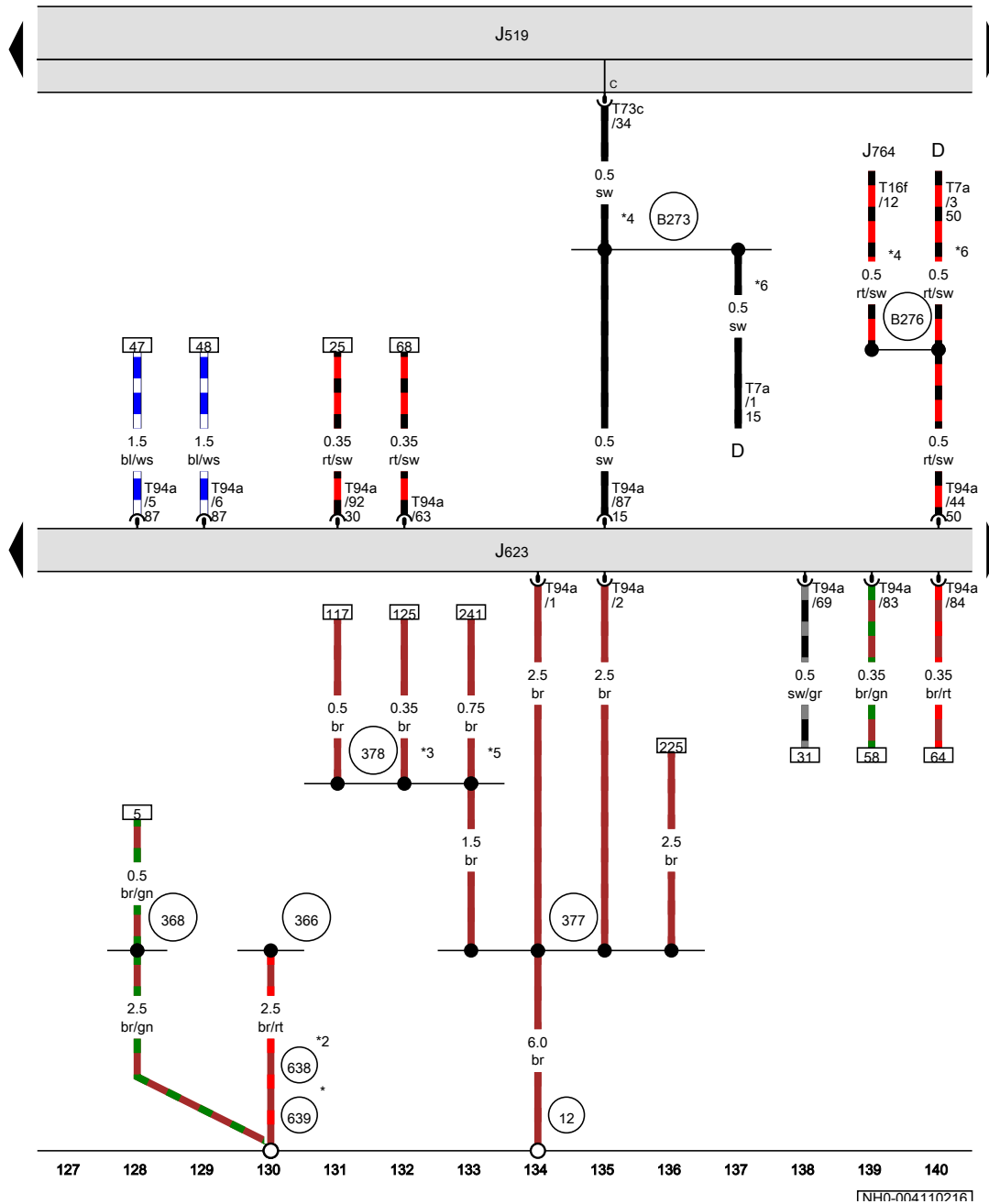
- * Only models with manual gearbox
- *2 Only models with automatic gearbox



- ws = white
- sw = black
- ro = red
- rt = red
- br = brown
- gn = green
- bl = blue
- gr = grey
- li = purple
- vi = purple
- ge = yellow
- or = orange
- rs = pink

113 114 115 116 117 118 119 120 121 122 123 124 125 126

1NH0-0041002161



Engine control unit

- D Ignition/starter switch
- J519 Onboard supply control unit
- J623 Engine control unit
- J764 Control unit for electronic steering column lock
- T7a 7-pin connector
- T16f 16-pin connector
- T73c 73-pin connector, black
- T94a 94-pin connector

- 12 Earth point, on left in engine compartment
- 366 Earth connection 1, in main wiring harness
- 368 Earth connection 3, in main wiring harness
- 377 Earth connection 12, in main wiring harness
- 378 Earth connection 13, in main wiring harness

- 638 Earth point, on right A-pillar
- 639 Earth point, left A-pillar
- B273 Positive connection (15), in main wiring harness
- B276 Positive connection (50), in main wiring harness

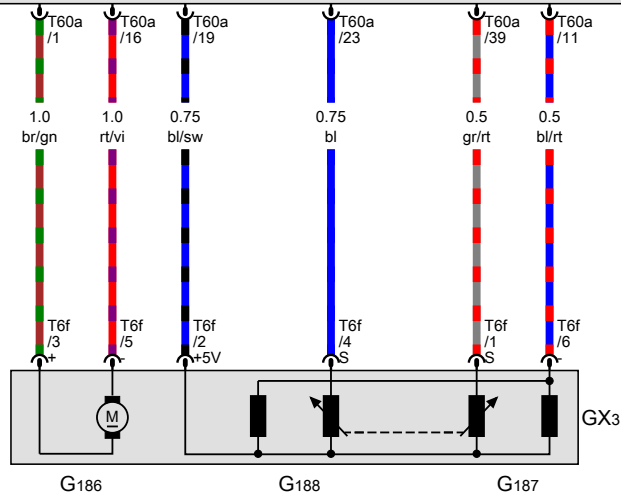
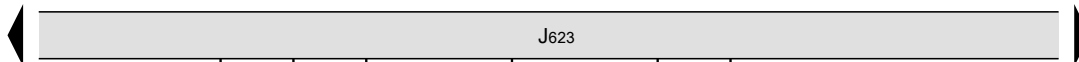
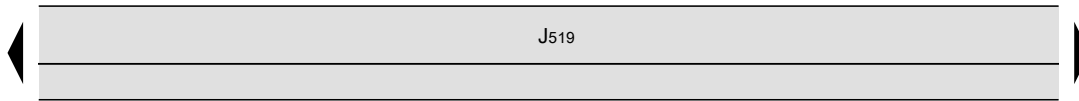
- * Only left-hand drive models
- *2 Only right-hand drive models
- *3 Only models with manual gearbox
- *4 Only models with entry and start authorisation
- *5 Only models with extended servicing intervals (ESI)
- *6 Only models with no entry and start authorisation

- ws = white
- sw = black
- ro = red
- rt = red
- br = brown
- gn = green
- bl = blue
- gr = grey
- li = purple
- vi = purple
- ge = yellow
- or = orange
- rs = pink

1NH0-004110216

Throttle valve module, Engine control unit

- GX3 Throttle valve module
- G186 Throttle valve drive for electric throttle
- G187 Throttle valve drive angle sender 1 for electric throttle
- G188 Throttle valve drive angle sender 2 for electric throttle
- J519 Onboard supply control unit
- J623 Engine control unit
- T6f 6-pin connector
- T60a 60-pin connector



- ws = white
- sw = black
- ro = red
- rt = red
- br = brown
- gn = green
- bl = blue
- gr = grey
- li = purple
- vi = purple
- ge = yellow
- or = orange
- rs = pink

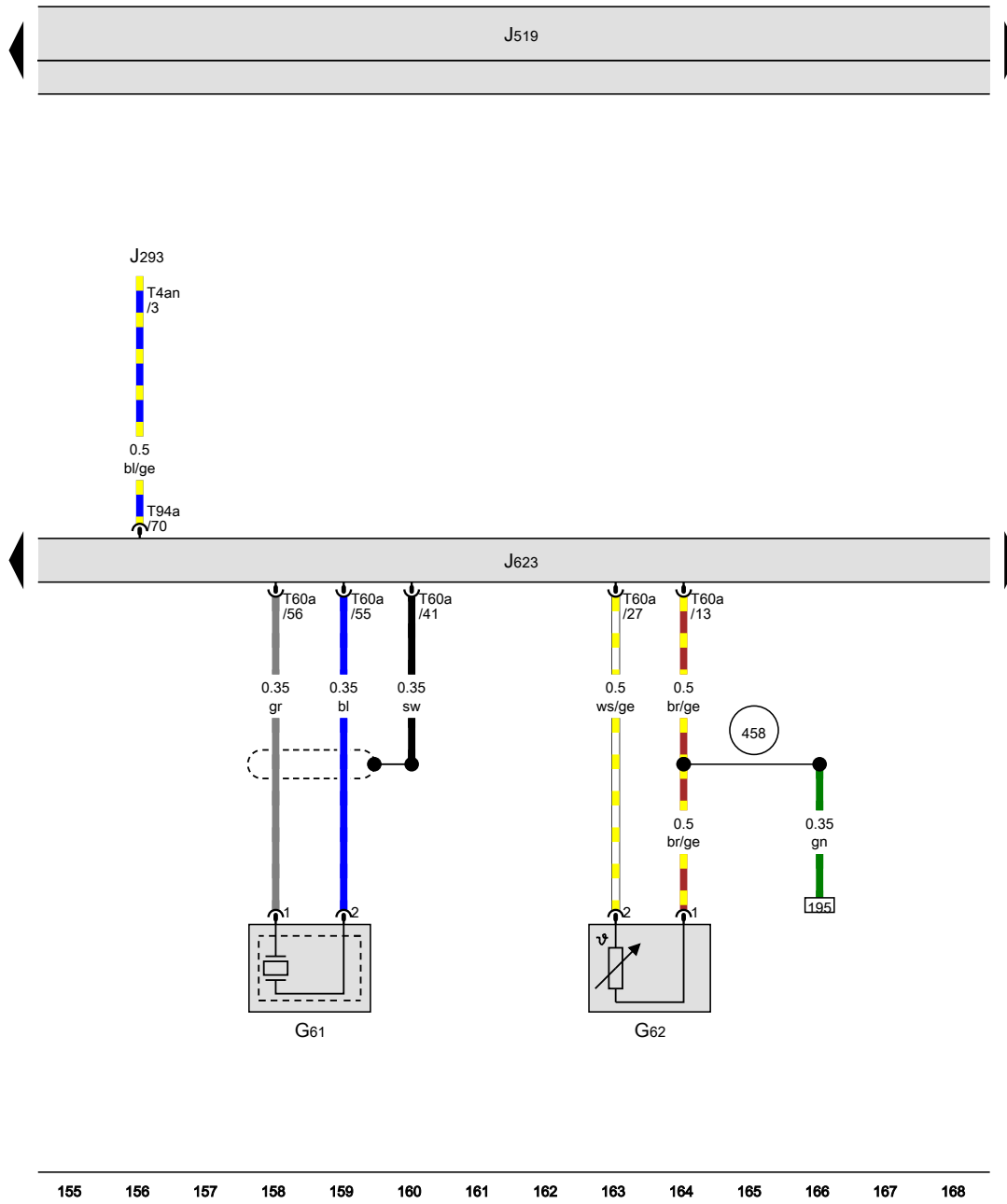
141 142 143 144 145 146 147 148 149 150 151 152 153 154

[NH0-004120216]

Knock sensor 1, Coolant temperature sender, Engine control unit

- G61 Knock sensor 1
- G62 Coolant temperature sender
- J293 Radiator fan control unit
- J519 Onboard supply control unit
- J623 Engine control unit
- T4an 4-pin connector
- T60a 60-pin connector
- T94a 94-pin connector

458 Earth point 3, engine prewiring harness



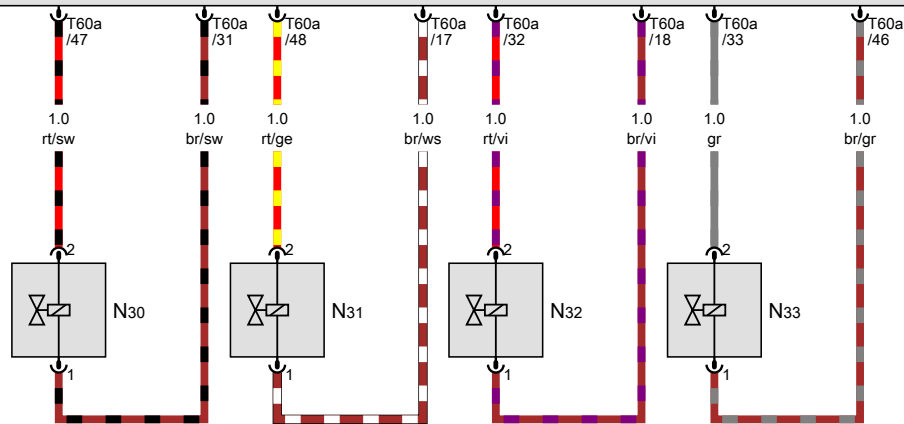
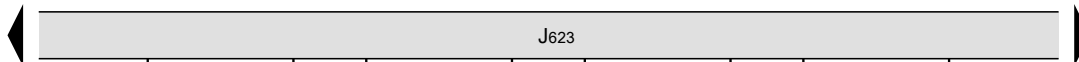
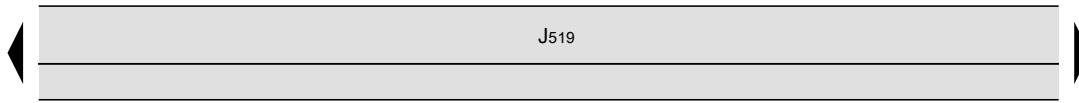
- ws = white
- sw = black
- ro = red
- rt = red
- br = brown
- gn = green
- bl = blue
- gr = grey
- li = purple
- vi = purple
- ge = yellow
- or = orange
- rs = pink

155 156 157 158 159 160 161 162 163 164 165 166 167 168

[NH0-004130216]

Engine control unit, Injector, cylinder 1, Injector, cylinder 2, Injector, cylinder 3, Injector, cylinder 4

- J519 Onboard supply control unit
- J623 Engine control unit
- N30 Injector, cylinder 1
- N31 Injector, cylinder 2
- N32 Injector, cylinder 3
- N33 Injector, cylinder 4
- T60a 60-pin connector



- ws = white
- sw = black
- ro = red
- rt = red
- br = brown
- gn = green
- bl = blue
- gr = grey
- li = purple
- vi = purple
- ge = yellow
- or = orange
- rs = pink

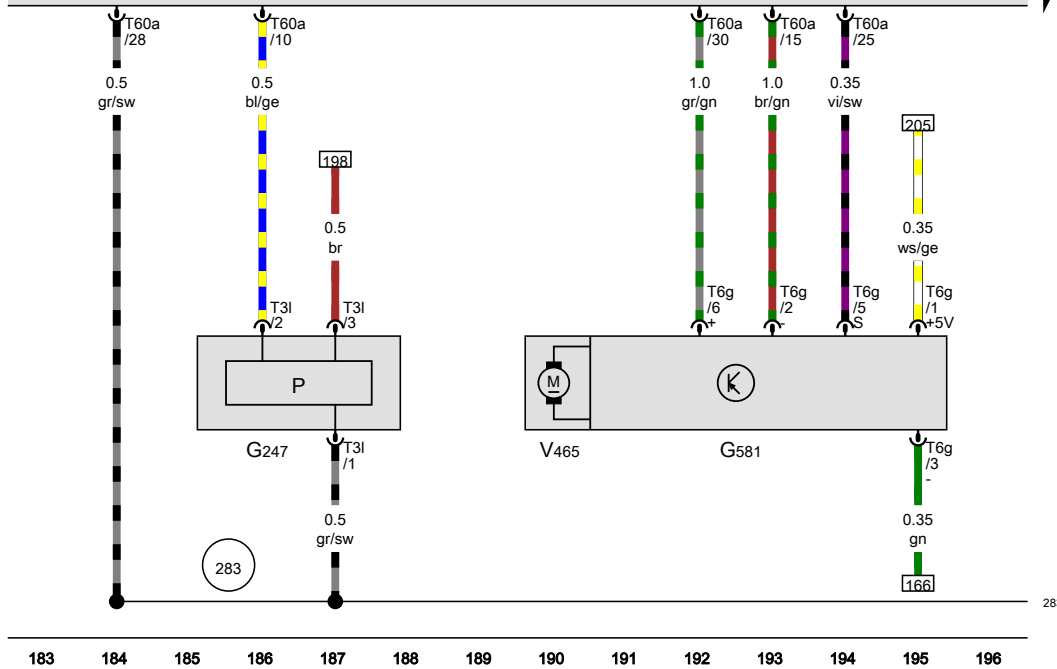
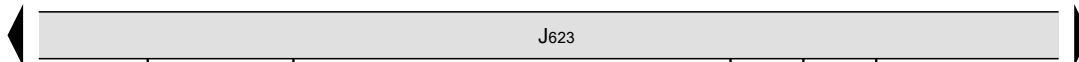
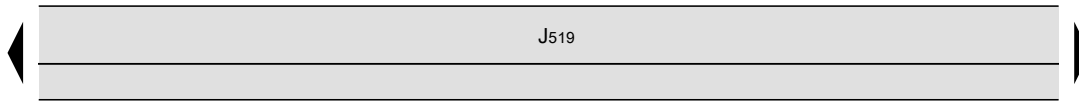
169 170 171 172 173 174 175 176 177 178 179 180 181 182

[NH0-004140216]

Fuel pressure sender, Position sender for charge pressure positioner, Engine control unit, Charge pressure positioner

- G247 Fuel pressure sender
- G581 Position sender for charge pressure positioner
- J519 Onboard supply control unit
- J623 Engine control unit
- T3I 3-pin connector
- T6g 6-pin connector
- T60a 60-pin connector
- V465 Charge pressure positioner

- 283 Earth point 2, engine prewiring harness



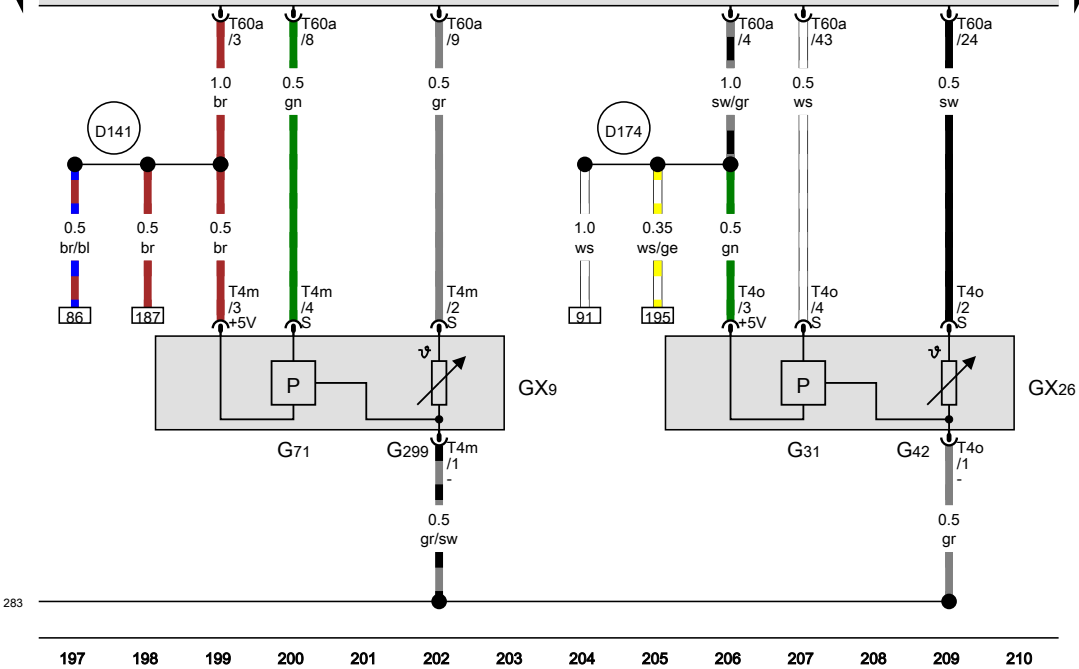
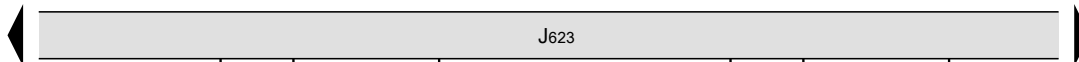
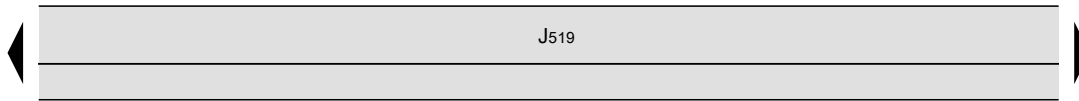
- ws = white
- sw = black
- ro = red
- rt = red
- br = brown
- gn = green
- bl = blue
- gr = grey
- li = purple
- vi = purple
- ge = yellow
- or = orange
- rs = pink

[NH0-004150216]

Intake manifold sender, Charge pressure sender, Engine control unit

- GX9 Intake manifold sender
- GX26 Charge pressure sender
- G31 Charge pressure sender
- G42 Intake air temperature sender
- G71 Intake manifold pressure sender
- G299 Intake air temperature sender 2
- J519 Onboard supply control unit
- J623 Engine control unit
- T4m 4-pin connector
- T4o 4-pin connector
- T60a 60-pin connector

- 283 Earth point 2, engine prewiring harness
- D141 Connection (5V) in engine prewiring harness
- D174 Connection 2 (5V) in engine prewiring harness



283

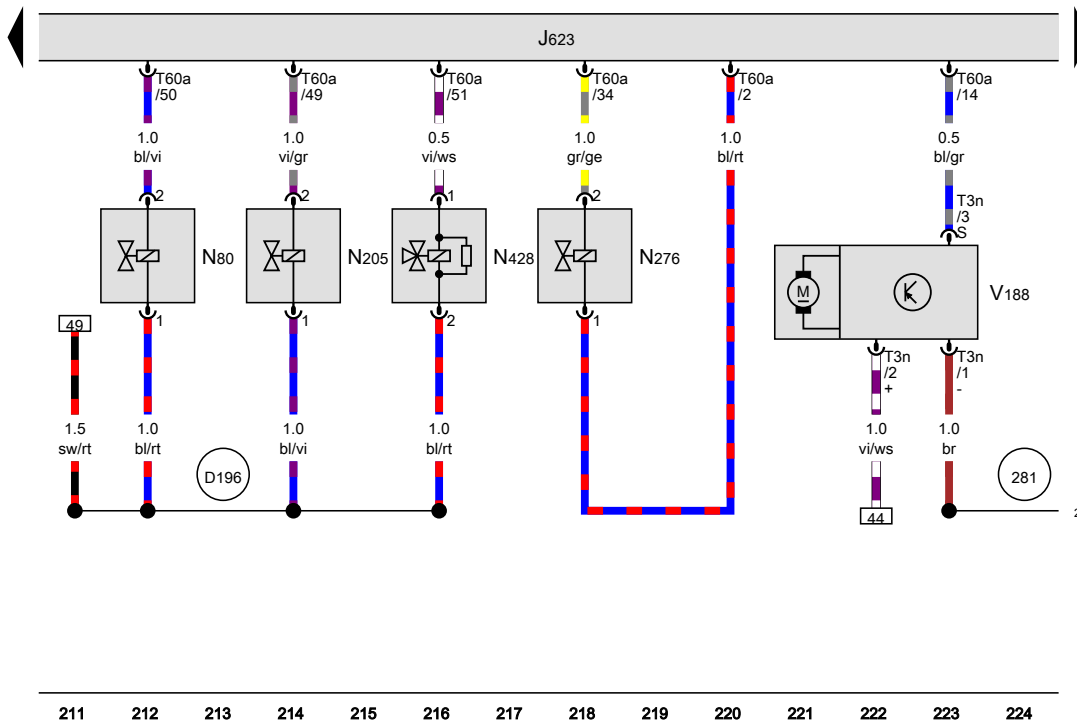
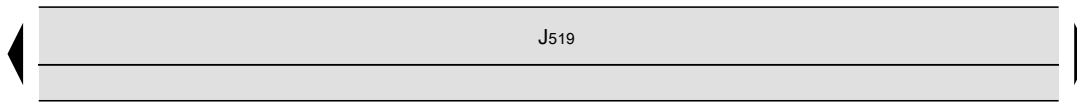
1NH0-0041602161

Engine control unit, Activated charcoal filter solenoid valve 1, Camshaft control valve 1, Fuel pressure regulating valve, Valve for oil pressure control, Charge air cooling pump

- J519 Onboard supply control unit
- J623 Engine control unit
- N80 Activated charcoal filter solenoid valve 1
- N205 Camshaft control valve 1
- N276 Fuel pressure regulating valve
- N428 Valve for oil pressure control
- T3n 3-pin connector
- T60a 60-pin connector
- V188 Charge air cooling pump

281 Earth point 1, engine prewiring harness

D196 Connection 2 (87a) in engine prewiring harness



- ws = white
- sw = black
- ro = red
- rt = red
- br = brown
- gn = green
- bl = blue
- gr = grey
- li = purple
- vi = purple
- ge = yellow
- or = orange
- rs = pink

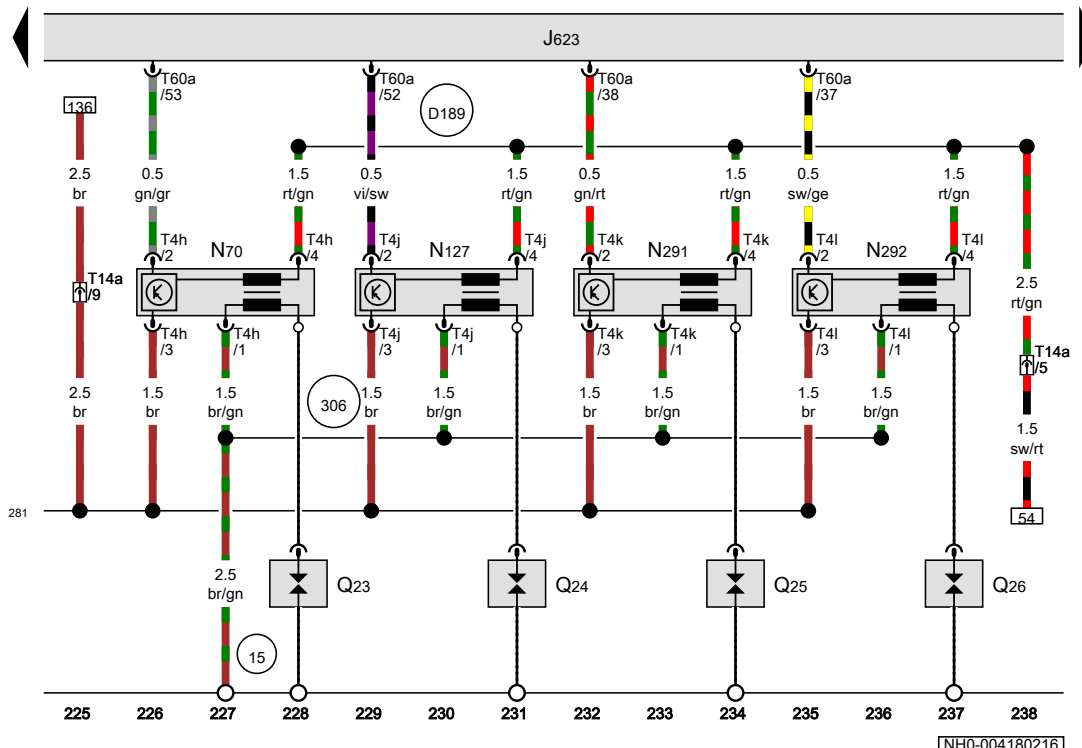
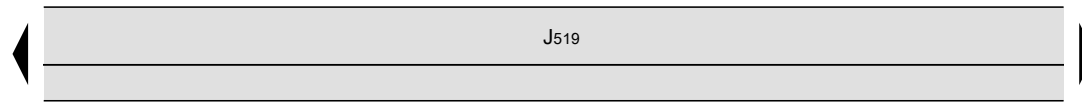
211 212 213 214 215 216 217 218 219 220 221 222 223 224

[NH0-004170216]

Engine control unit, Ignition coil 1 with output stage, Ignition coil 2 with output stage, Ignition coil 3 with output stage, Ignition coil 4 with output stage

- J519 Onboard supply control unit
- J623 Engine control unit
- N70 Ignition coil 1 with output stage
- N127 Ignition coil 2 with output stage
- N291 Ignition coil 3 with output stage
- N292 Ignition coil 4 with output stage
- Q23 Spark plug 1
- Q24 Spark plug 2
- Q25 Spark plug 3
- Q26 Spark plug 4
- T4h 4-pin connector
- T4j 4-pin connector
- T4k 4-pin connector
- T4l 4-pin connector
- T14a 14-pin connector, front left in engine compartment
- T60a 60-pin connector

- 15 Earth point, on cylinder head
- 281 Earth point 1, engine prewiring harness
- 306 Earth connection (ignition coils), in engine prewiring harness
- D189 Connection (87a) in engine prewiring harness

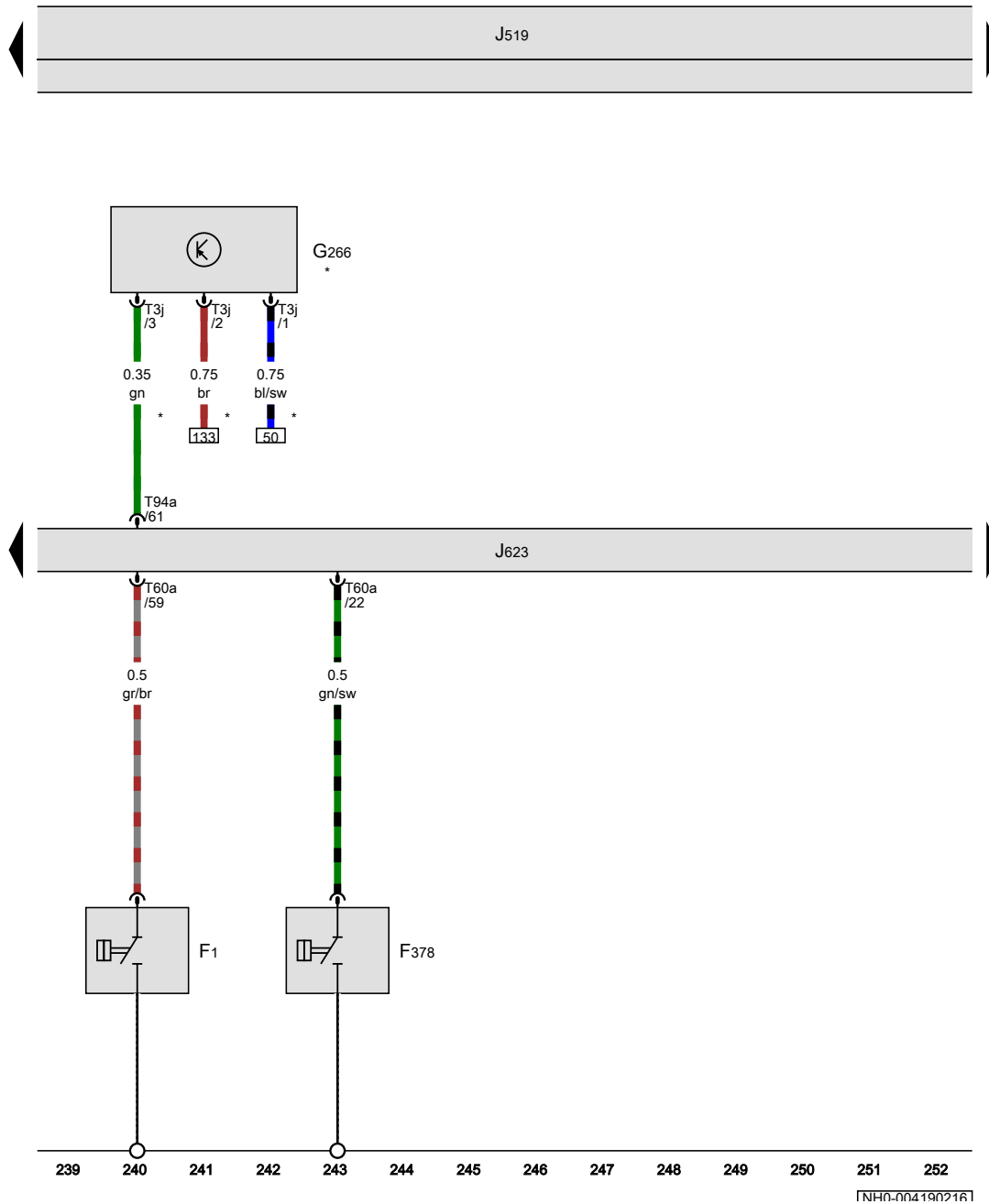


- ws = white
- sw = black
- ro = red
- rt = red
- br = brown
- gn = green
- bl = blue
- gr = grey
- li = purple
- vi = purple
- ge = yellow
- or = orange
- rs = pink

1NHN-0041802161

Oil pressure switch, Oil pressure switch for reduced oil pressure, Oil level and oil temperature sender, Engine control unit

- F1 Oil pressure switch
- F378 Oil pressure switch for reduced oil pressure
- G266 Oil level and oil temperature sender
- J519 Onboard supply control unit
- J623 Engine control unit
- T3j 3-pin connector
- T60a 60-pin connector
- T94a 94-pin connector
- * Only models with extended servicing intervals (ESI)



- ws = white
- sw = black
- ro = red
- rt = red
- br = brown
- gn = green
- bl = blue
- gr = grey
- li = purple
- vi = purple
- ge = yellow
- or = orange
- rs = pink

[NH0-004190216]

Fuel delivery unit, Fuel pump control unit, Engine control unit

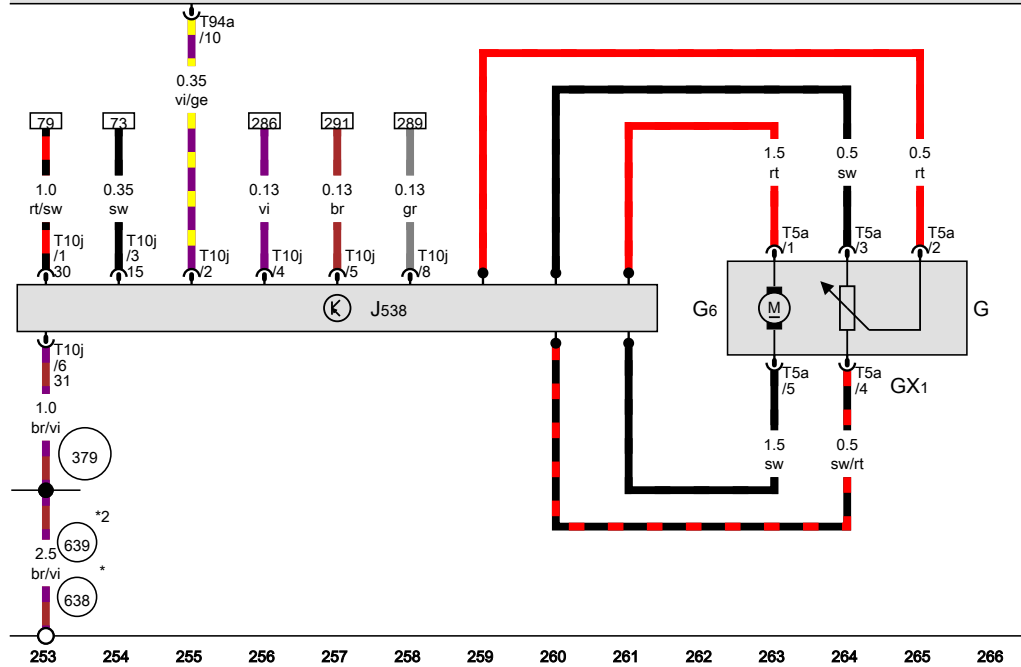
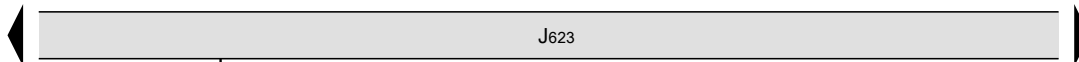
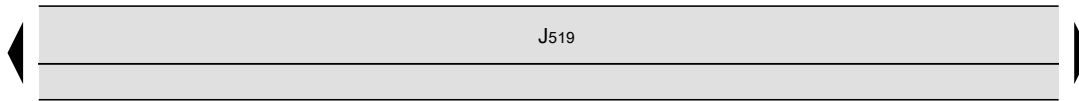
- G Fuel gauge sender
- GX1 Fuel delivery unit
- G6 Fuel system pressurisation pump
- J519 Onboard supply control unit
- J538 Fuel pump control unit
- J623 Engine control unit
- T5a 5-pin connector
- T10j 10-pin connector
- T94a 94-pin connector

379 Earth connection 14, in main wiring harness

638 Earth point, on right A-pillar

639 Earth point, left A-pillar

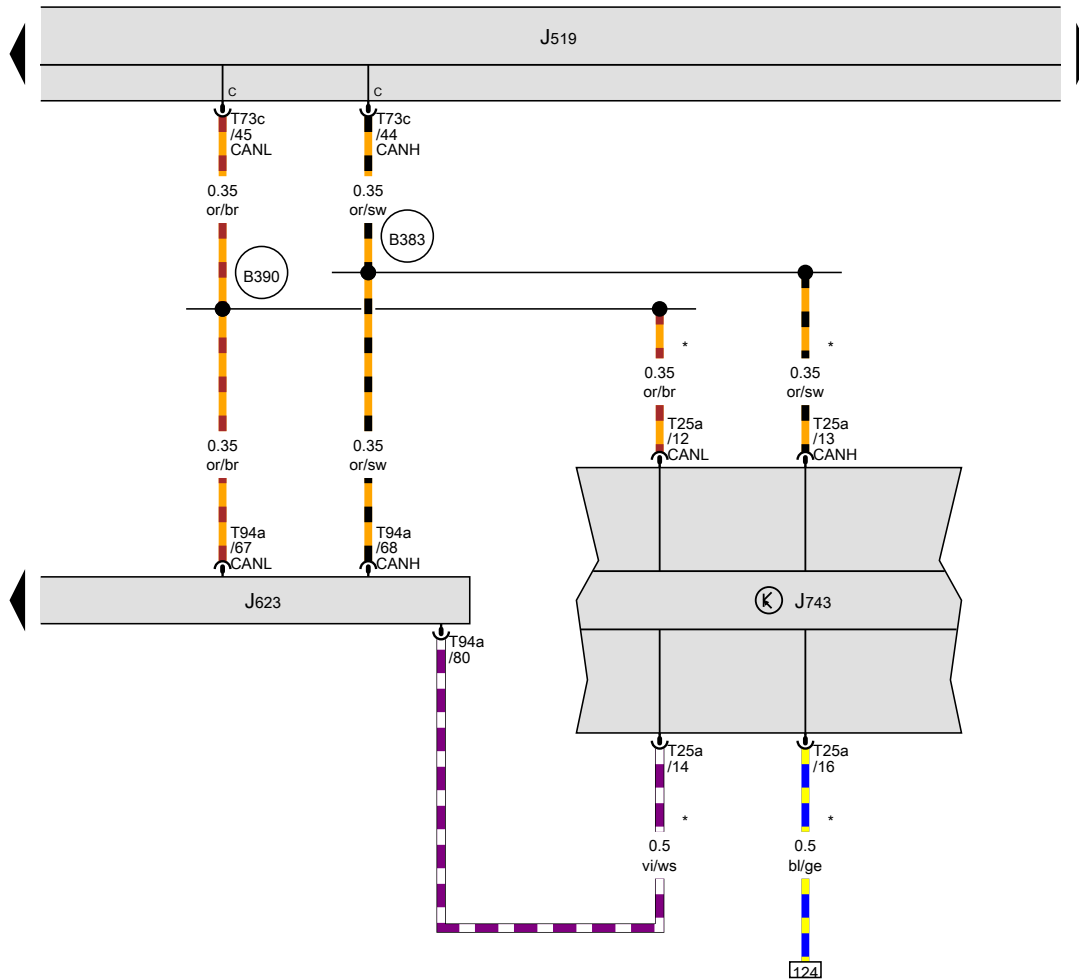
- * Only left-hand drive models
- *2 Only right-hand drive models



- ws = white
- sw = black
- ro = red
- rt = red
- br = brown
- gn = green
- bl = blue
- gr = grey
- li = purple
- vi = purple
- ge = yellow
- or = orange
- rs = pink

[NH0-004200216]

Engine control unit, Mechatronic unit for dual clutch gearbox

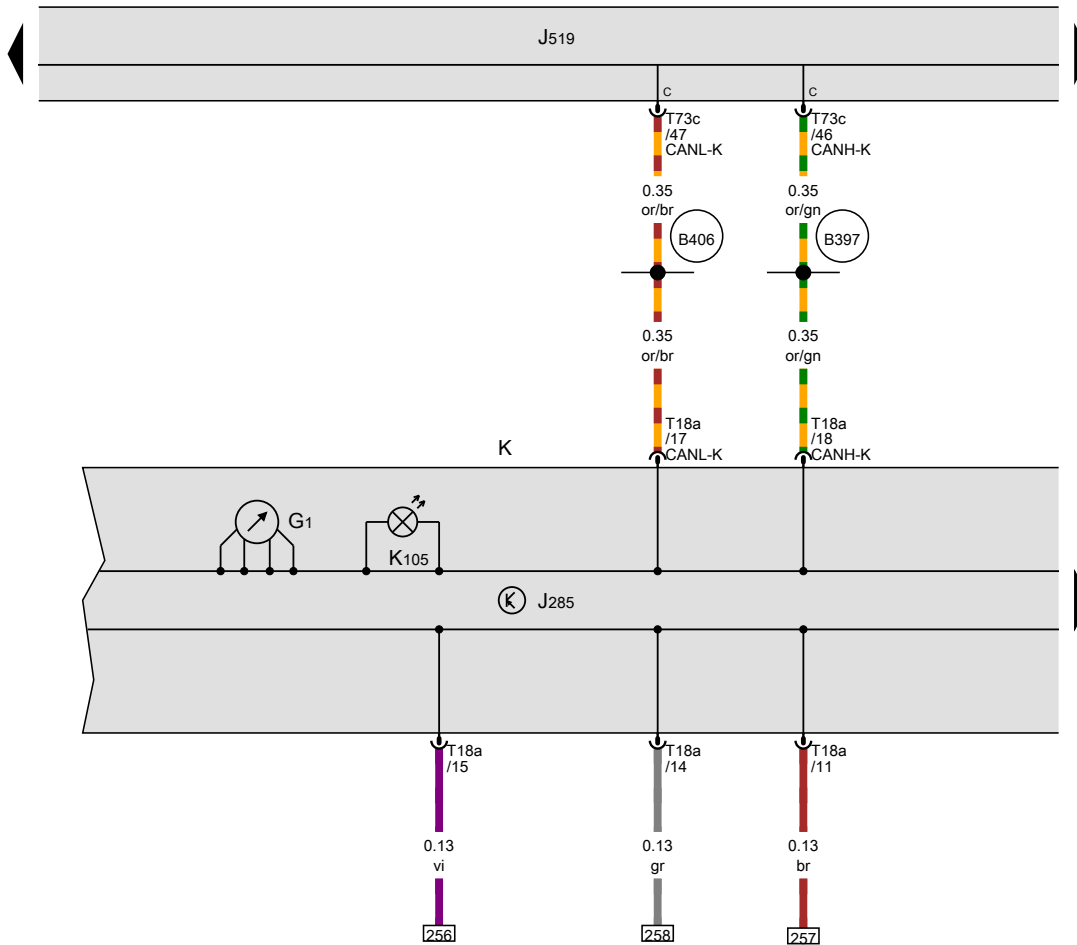


- J519 Onboard supply control unit
- J623 Engine control unit
- J743 Mechatronic unit for dual clutch gearbox
- T25a 25-pin connector
- T73c 73-pin connector, black
- T94a 94-pin connector
- B383 Connection 1 (powertrain CAN bus, high), in main wiring harness
- B390 Connection 1 (powertrain CAN bus, low), in main wiring harness
- * Only models with automatic gearbox

- ws = white
- sw = black
- ro = red
- rt = red
- br = brown
- gn = green
- bl = blue
- gr = grey
- li = purple
- vi = purple
- ge = yellow
- or = orange
- rs = pink

Fuel gauge, Dash panel insert

- G1 Fuel gauge
- J285 Control unit in dash panel insert
- J519 Onboard supply control unit
- K Dash panel insert
- K105 Reserve fuel warning lamp
- T18a 18-pin connector
- T73c 73-pin connector, black
- B397** Connection 1 (convenience CAN bus, high), in main wiring harness
- B406** Connection 1 (convenience CAN bus, low), in main wiring harness



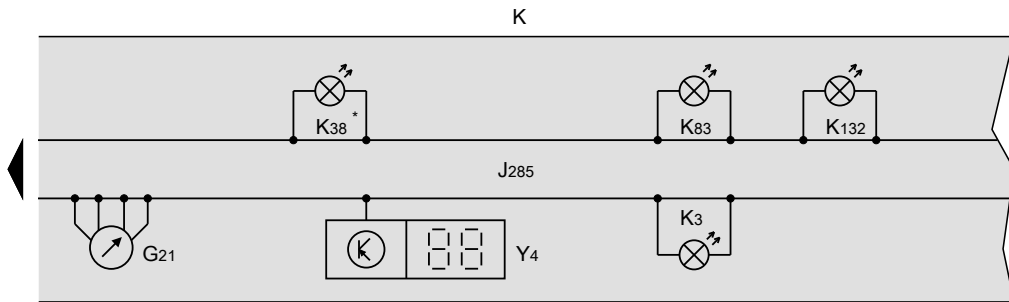
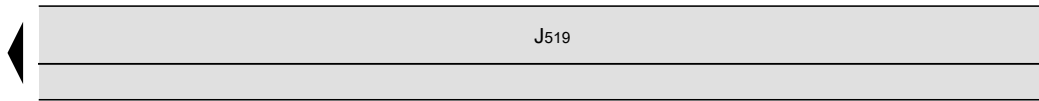
- ws = white
- sw = black
- ro = red
- rt = red
- br = brown
- gn = green
- bl = blue
- gr = grey
- li = purple
- vi = purple
- ge = yellow
- or = orange
- rs = pink

281 282 283 284 285 286 287 288 289 290 291 292 293 294

[NH0-004220216]

Speedometer, Dash panel insert, Trip counter

- G21 Speedometer
- J285 Control unit in dash panel insert
- J519 Onboard supply control unit
- K Dash panel insert
- K3 Oil pressure warning lamp
- K38 Oil level warning lamp
- K83 Exhaust emissions warning lamp
- K132 Electronic power control fault lamp
- Y4 Trip counter
- * Only models with extended servicing intervals (ESI)



- ws = white
- sw = black
- ro = red
- rt = red
- br = brown
- gn = green
- bl = blue
- gr = grey
- li = purple
- vi = purple
- ge = yellow
- or = orange
- rs = pink

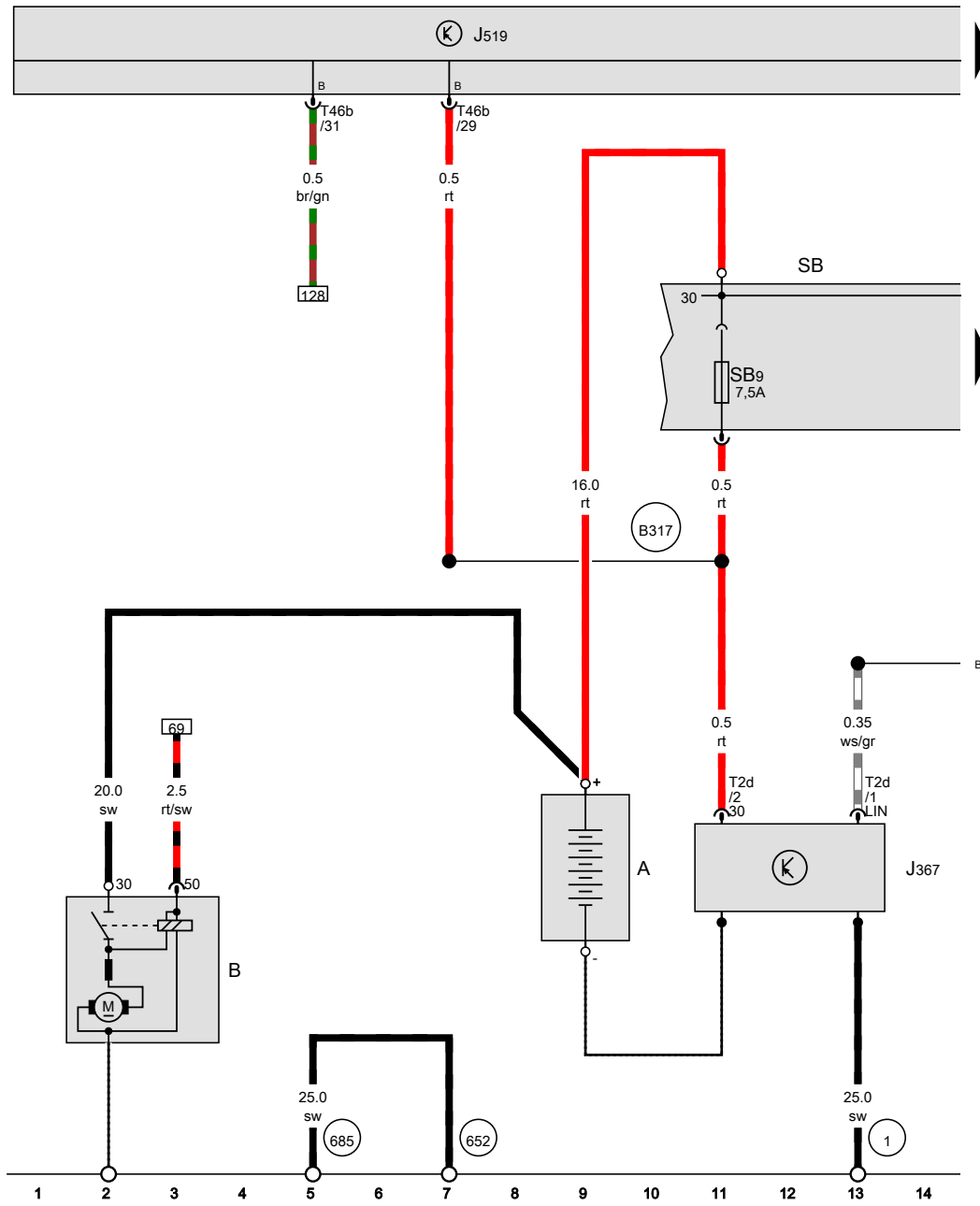
295 296 297 298 299 300 301 302 303 304 305 306 307 308

[NH0-004230216]

1.4l petrol engine with start/stop system , CZCA,(7L6)

From May 2015

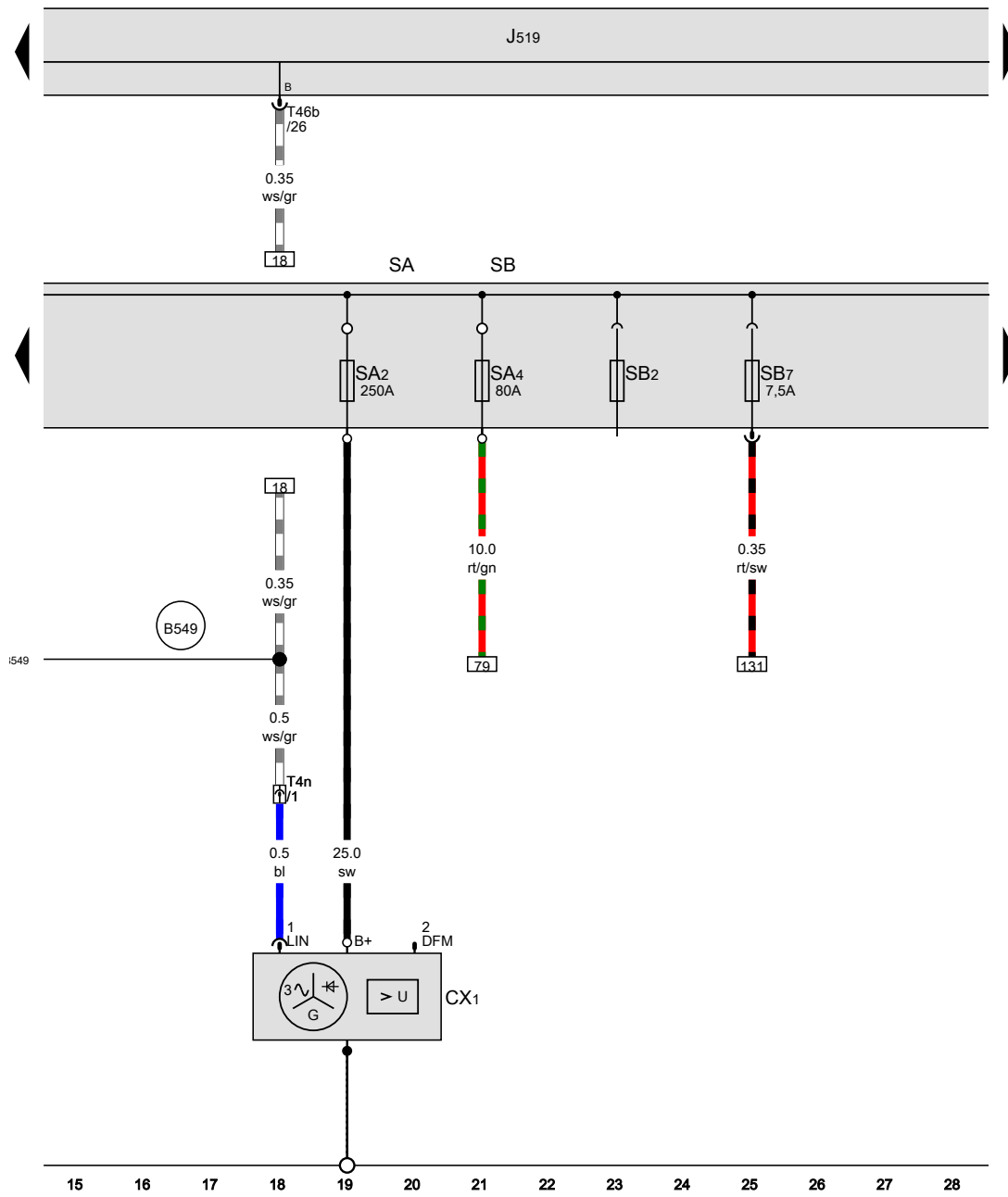
Battery, Starter, Battery monitor control unit, Fuse holder B



- A Battery
- B Starter
- J367 Battery monitor control unit
- J519 Onboard supply control unit
- SB Fuse holder B
- SB9 Fuse 9 on fuse holder B
- T2d 2-pin connector
- T46b 46-pin connector, brown
- 1 Earth strap, battery - body
- 652 Earth point, engine and gearbox earth
- 685 Earth point 1 at front of right longitudinal member
- B317 Positive connection 3 (30a) in main wiring harness
- B549 Connection 2 (LIN bus) in main wiring harness

- ws = white
- sw = black
- ro = red
- rt = red
- br = brown
- gn = green
- bl = blue
- gr = grey
- li = purple
- vi = purple
- ge = yellow
- or = orange
- rs = pink

[NH0-005020216]



Alternator with voltage regulator, Fuse holder A, Fuse holder B

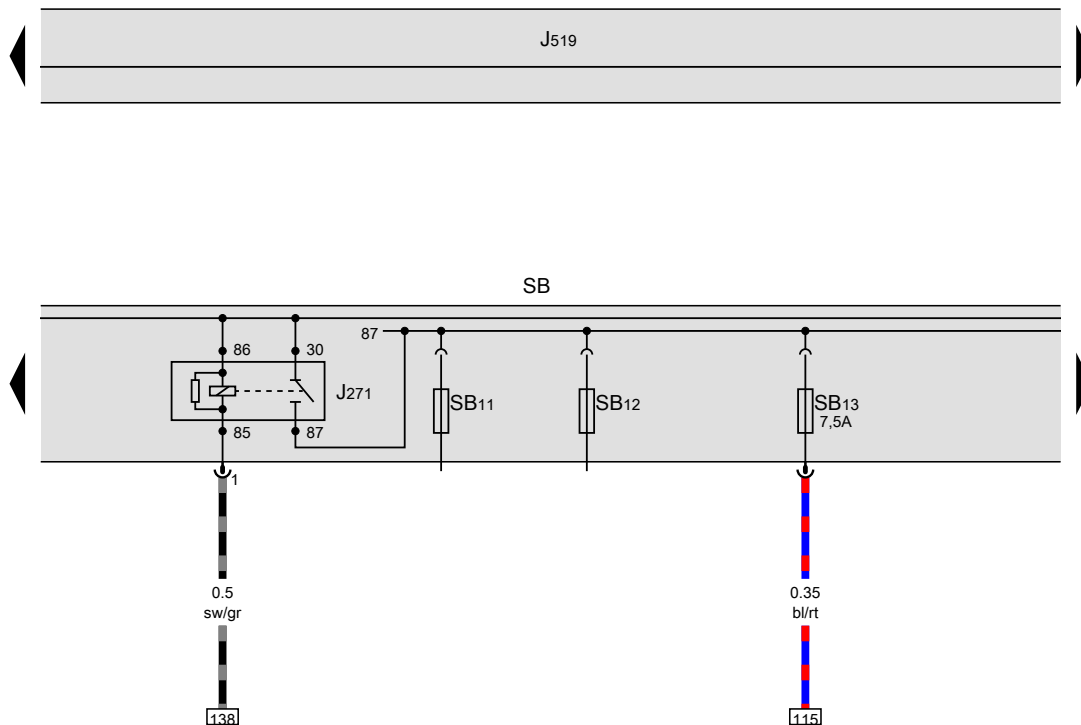
- CX1 Alternator with voltage regulator
- J519 Onboard supply control unit
- SA Fuse holder A
- SA2 Fuse 2 in fuse holder A
- SB2 Fuse 2 on fuse holder B
- SA4 Fuse 4 in fuse holder A
- SB Fuse holder B
- SB7 Fuse 7 on fuse holder B
- T4n 4-pin connector, front left in engine compartment
- T46b 46-pin connector, brown
- B549 Connection 2 (LIN bus) in main wiring harness

- ws = white
- sw = black
- ro = red
- rt = red
- br = brown
- gn = green
- bl = blue
- gr = grey
- li = purple
- vi = purple
- ge = yellow
- or = orange
- rs = pink

[NH0-005030216]

Main relay, Fuse holder B

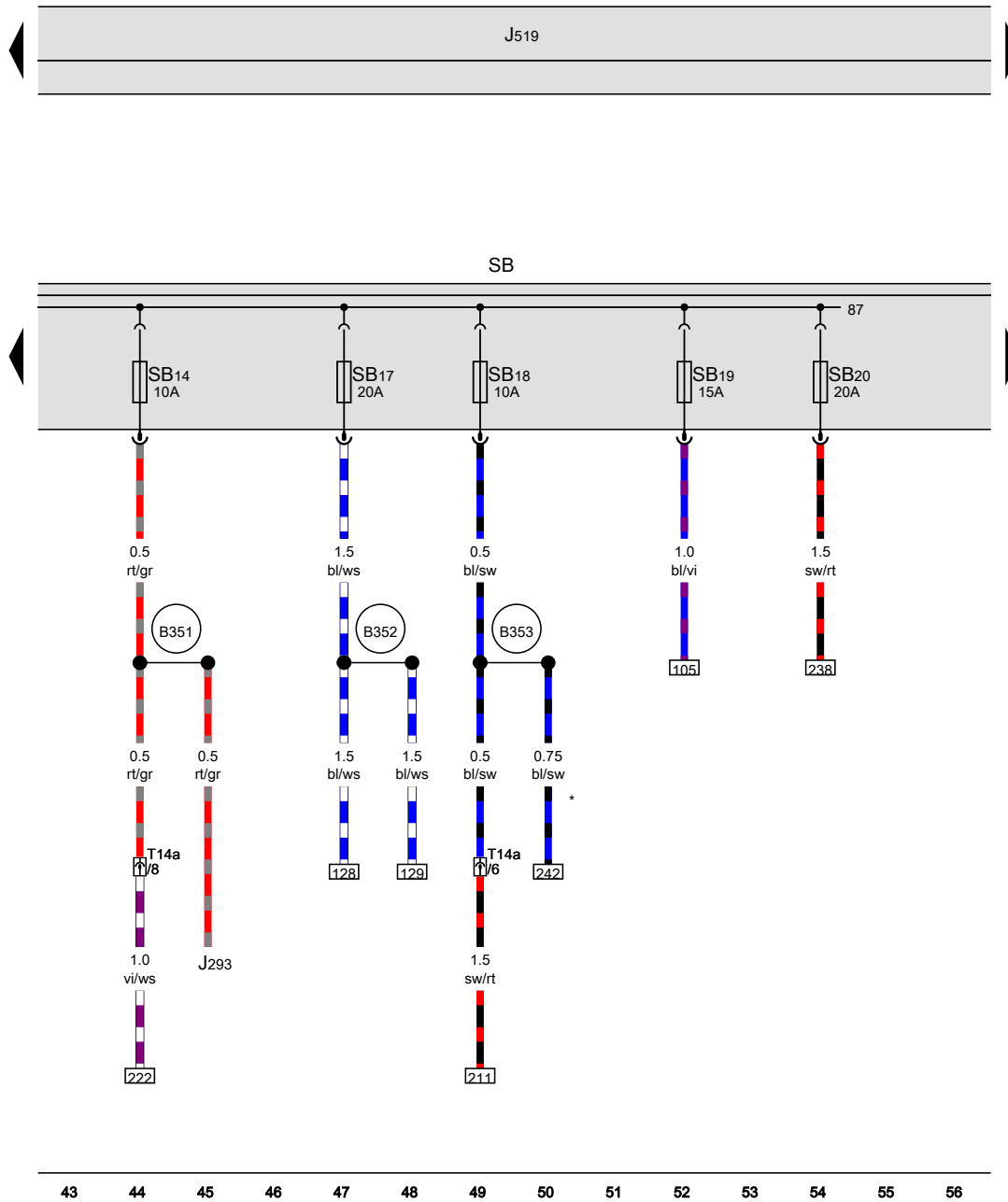
- J271 Main relay
- J519 Onboard supply control unit
- SB Fuse holder B
- SB11 Fuse 11 on fuse holder B
- SB12 Fuse 12 on fuse holder B
- SB13 Fuse 13 on fuse holder B



- ws = white
- sw = black
- ro = red
- rt = red
- br = brown
- gn = green
- bl = blue
- gr = grey
- li = purple
- vi = purple
- ge = yellow
- or = orange
- rs = pink

29 30 31 32 33 34 35 36 37 38 39 40 41 42

[NH0-005040216]



Fuse holder B

- J293 Radiator fan control unit
- J519 Onboard supply control unit
- SB Fuse holder B
- SB14 Fuse 14 on fuse holder B
- SB17 Fuse 17 on fuse holder B
- SB18 Fuse 18 on fuse holder B
- SB19 Fuse 19 on fuse holder B
- SB20 Fuse 20 on fuse holder B
- T14a 14-pin connector, front left in engine compartment

B351 Positive connection 2 (87a) in main wiring harness

B352 Positive connection 3 (87a) in main wiring harness

B353 Positive connection 4 (87a) in main wiring harness

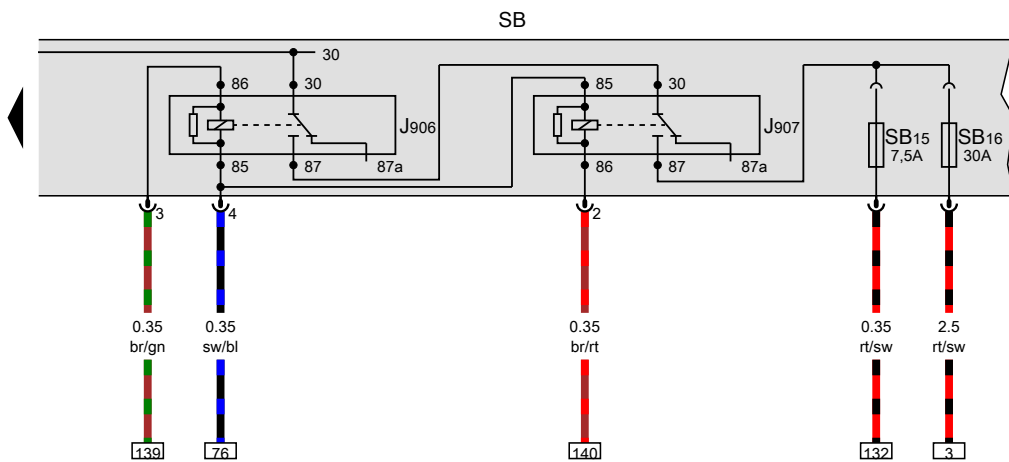
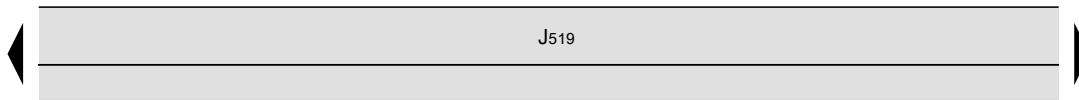
* Only models with extended servicing intervals (ESI)

- ws = white
- sw = black
- ro = red
- rt = red
- br = brown
- gn = green
- bl = blue
- gr = grey
- li = purple
- vi = purple
- ge = yellow
- or = orange
- rs = pink

[NH0-005050216]

Starter relay 1, Starter relay 2, Fuse holder B

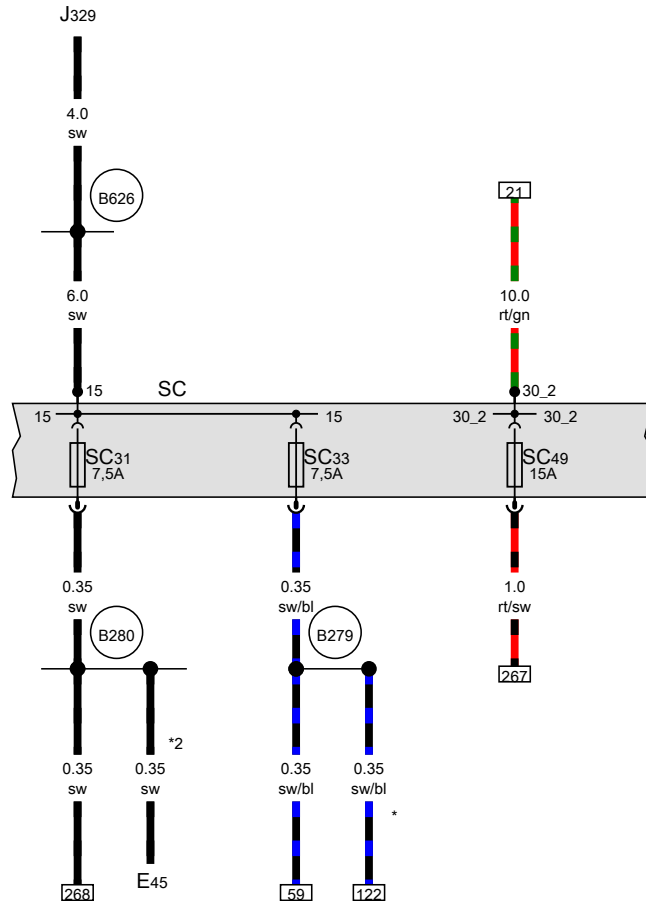
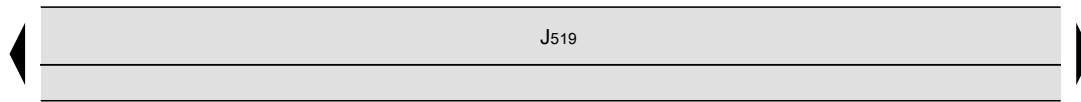
- J519 Onboard supply control unit
- J906 Starter relay 1
- J907 Starter relay 2
- SB Fuse holder B
- SB15 Fuse 15 on fuse holder B
- SB16 Fuse 16 on fuse holder B



- ws = white
- sw = black
- ro = red
- rt = red
- br = brown
- gn = green
- bl = blue
- gr = grey
- li = purple
- vi = purple
- ge = yellow
- or = orange
- rs = pink

57 58 59 60 61 62 63 64 65 66 67 68 69 70

[NH0-005060216]



Fuse holder C

- E45 Cruise control system switch
- J329 Terminal 15 voltage supply relay
- J519 Onboard supply control unit
- SC Fuse holder C
- SC31 Fuse 31 on fuse holder C
- SC33 Fuse 33 on fuse holder C
- SC49 Fuse 49 on fuse holder C

- B279 Positive connection 3 (15a) in main wiring harness
- B280 Positive connection 4 (15a) in main wiring harness
- B626 Positive connection 2 (15), in main wiring harness

- * Only models with manual gearbox
- *2 Only models with cruise control system (CCS)

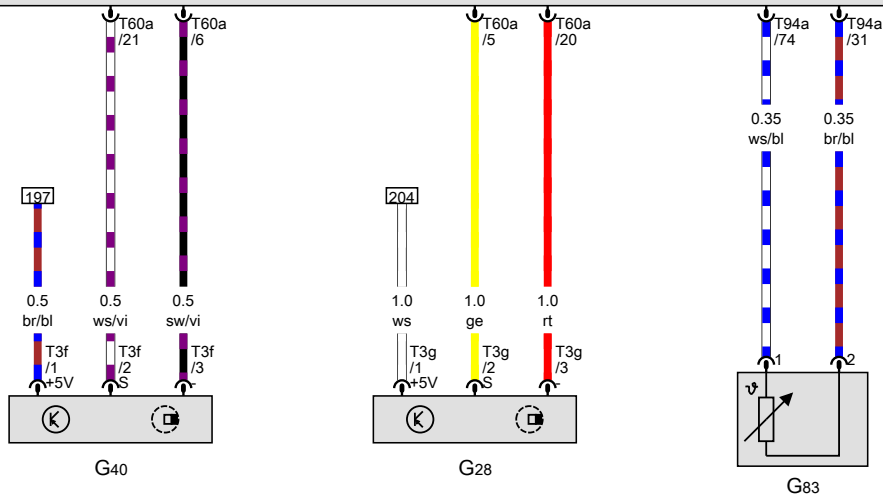
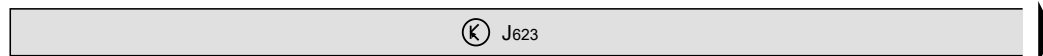
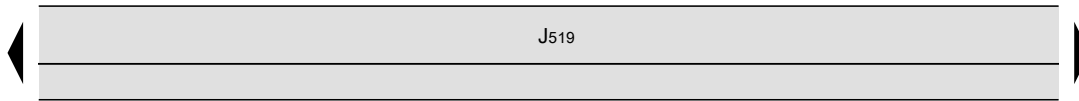
- ws = white
- sw = black
- ro = red
- rt = red
- br = brown
- gn = green
- bl = blue
- gr = grey
- li = purple
- vi = purple
- ge = yellow
- or = orange
- rs = pink

71 72 73 74 75 76 77 78 79 80 81 82 83 84

[NH0-005070216]

Engine speed sender, Hall sender, Radiator outlet coolant temperature sender, Engine control unit

- G28 Engine speed sender
- G40 Hall sender
- G83 Radiator outlet coolant temperature sender
- J519 Onboard supply control unit
- J623 Engine control unit
- T3f 3-pin connector
- T3g 3-pin connector
- T60a 60-pin connector
- T94a 94-pin connector



- ws = white
- sw = black
- ro = red
- rt = red
- br = brown
- gn = green
- bl = blue
- gr = grey
- li = purple
- vi = purple
- ge = yellow
- or = orange
- rs = pink

85 86 87 88 89 90 91 92 93 94 95 96 97 98

[NH0-005080216]

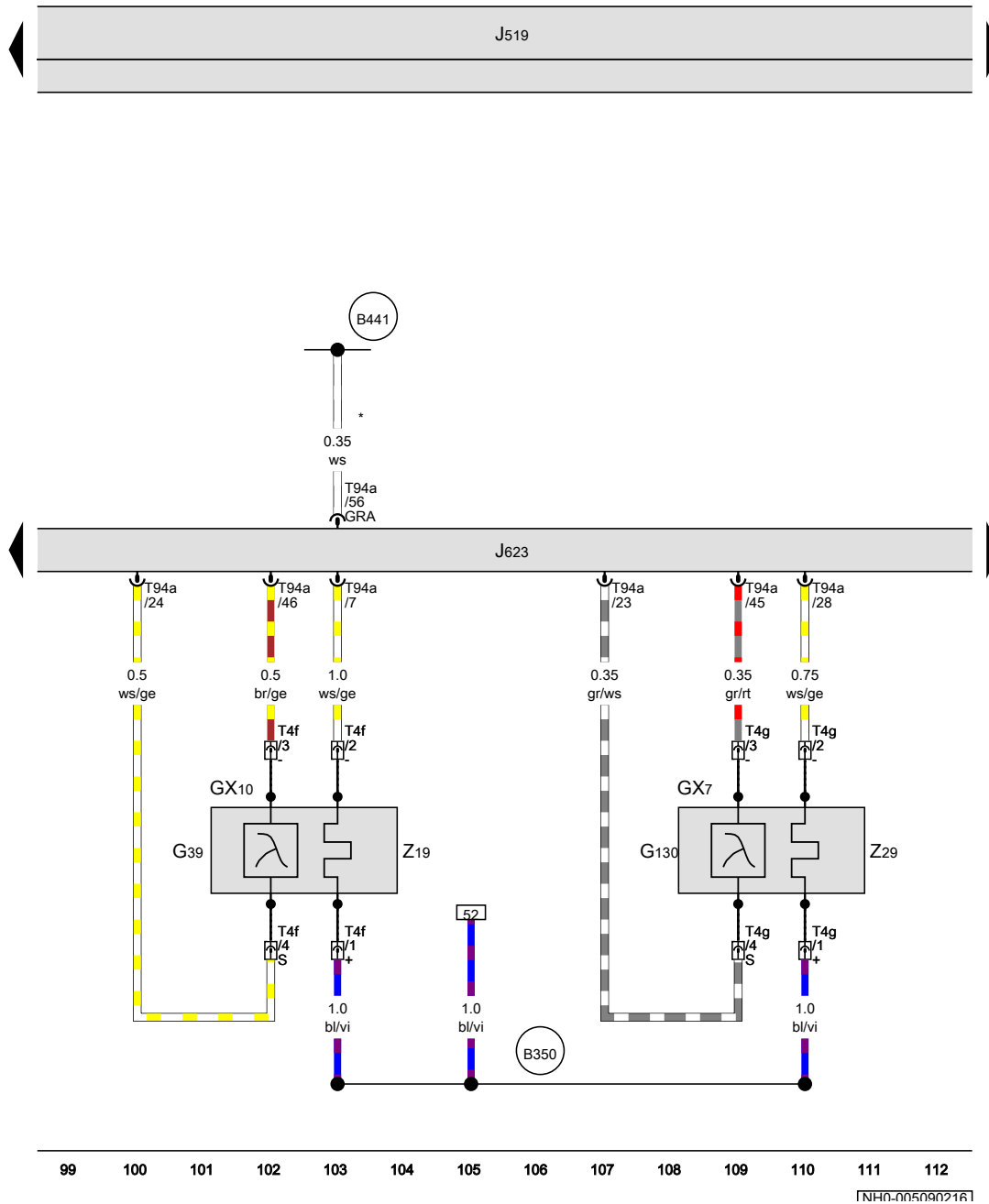
Lambda probe 1 after catalytic converter, Lambda probe 1 before catalytic converter, Engine control unit

- GX7 Lambda probe 1 after catalytic converter
- GX10 Lambda probe 1 before catalytic converter
- G39 Lambda probe
- G130 Lambda probe after catalytic converter
- J519 Onboard supply control unit
- J623 Engine control unit
- T4f 4-pin connector, brown
- T4g 4-pin connector, black
- T94a 94-pin connector
- Z19 Lambda probe heater
- Z29 Lambda probe 1 heater after catalytic converter

B350 Positive connection 1 (87a) in main wiring harness

B441 Connection (CCS), in main wiring harness

* Only models with cruise control system (CCS)



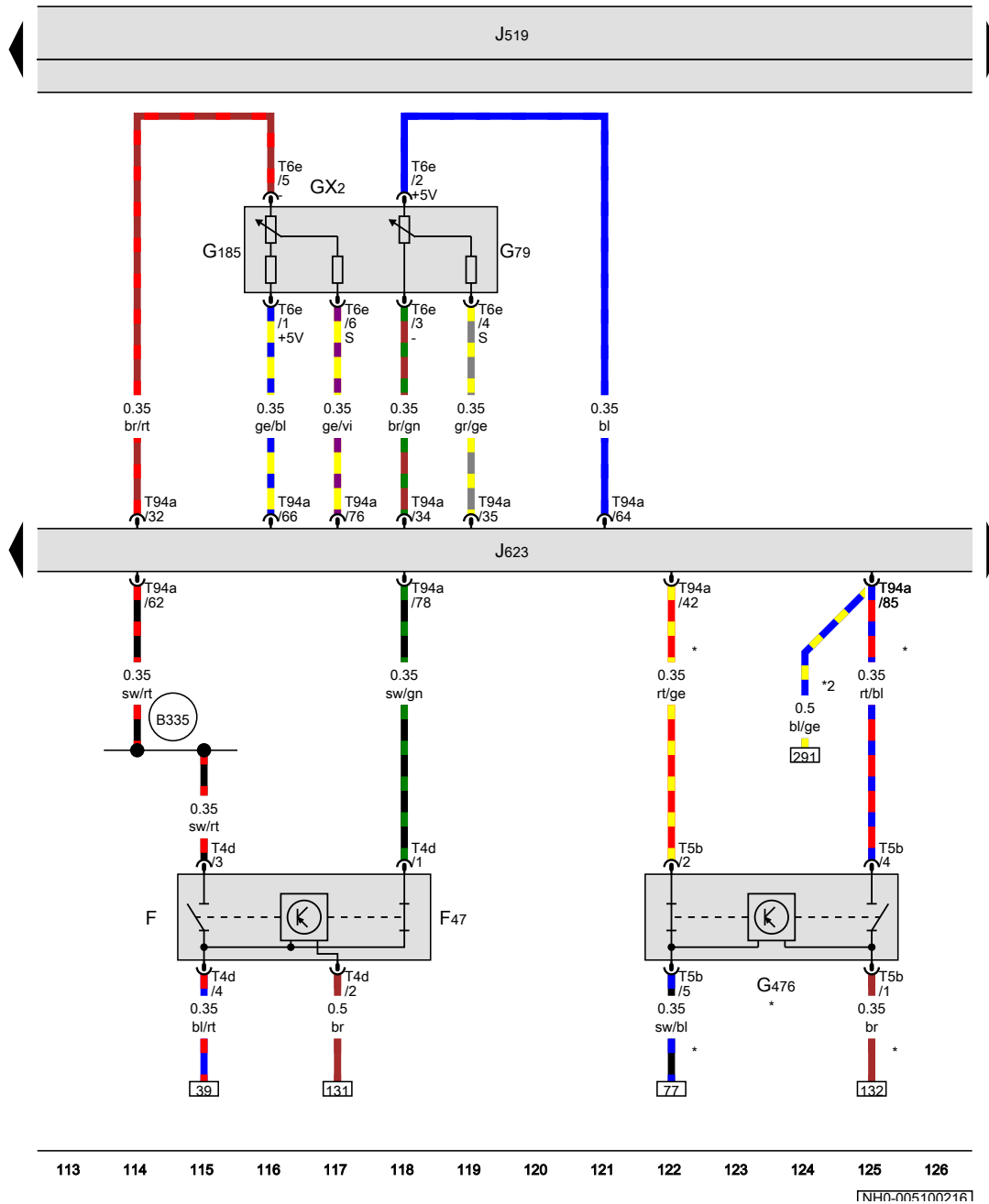
- ws = white
- sw = black
- ro = red
- rt = red
- br = brown
- gn = green
- bl = blue
- gr = grey
- li = purple
- vi = purple
- ge = yellow
- or = orange
- rs = pink

99 100 101 102 103 104 105 106 107 108 109 110 111 112

1NH0-0050902161

Brake pedal switch, Accelerator pedal module, Clutch position sender, Engine control unit

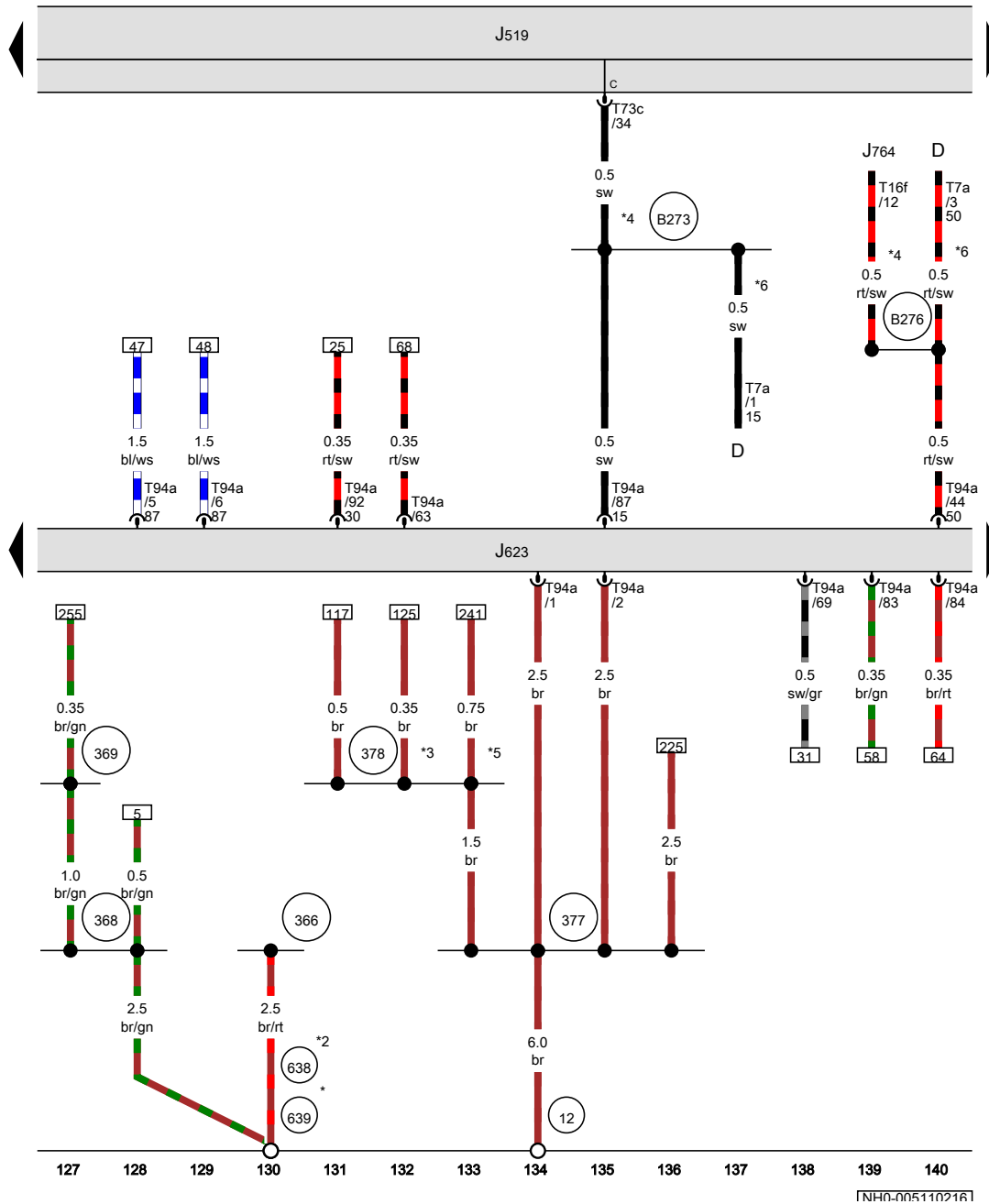
- F Brake light switch
- F47 Brake pedal switch
- GX2 Accelerator pedal module
- G79 Accelerator position sender
- G185 Accelerator position sender 2
- G476 Clutch position sender
- J519 Onboard supply control unit
- J623 Engine control unit
- T4d 4-pin connector
- T5b 5-pin connector
- T6e 6-pin connector
- T94a 94-pin connector
- B335 Connection 1 (54), in main wiring harness
- * Only models with manual gearbox
- *2 Only models with automatic gearbox



- ws = white
- sw = black
- ro = red
- rt = red
- br = brown
- gn = green
- bl = blue
- gr = grey
- li = purple
- vi = purple
- ge = yellow
- or = orange
- rs = pink

113 114 115 116 117 118 119 120 121 122 123 124 125 126

[NH0-005100216]



Engine control unit

- D Ignition/starter switch
- J519 Onboard supply control unit
- J623 Engine control unit
- J764 Control unit for electronic steering column lock
- T7a 7-pin connector
- T16f 16-pin connector
- T73c 73-pin connector, black
- T94a 94-pin connector

- 12 Earth point, on left in engine compartment
- 366 Earth connection 1, in main wiring harness
- 368 Earth connection 3, in main wiring harness
- 369 Earth connection 4, in main wiring harness
- 377 Earth connection 12, in main wiring harness
- 378 Earth connection 13, in main wiring harness
- 638 Earth point, on right A-pillar
- 639 Earth point, left A-pillar
- B273 Positive connection (15), in main wiring harness
- B276 Positive connection (50), in main wiring harness

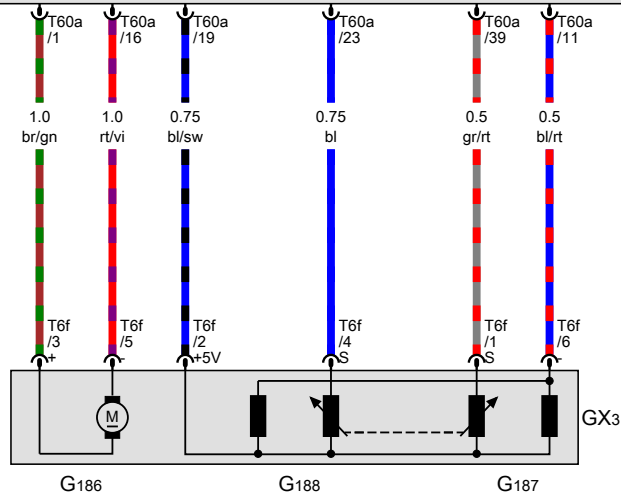
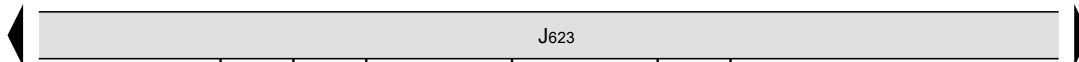
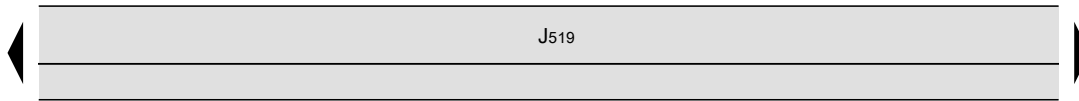
- ws = white
- sw = black
- ro = red
- rt = red
- br = brown
- gn = green
- bl = blue
- gr = grey
- li = purple
- vi = purple
- ge = yellow
- or = orange
- rs = pink

- * Only left-hand drive models
- *2 Only right-hand drive models
- *3 Only models with manual gearbox
- *4 Only models with entry and start authorisation
- *5 Only models with extended servicing intervals (ESI)
- *6 Only models with no entry and start authorisation

1NH0-005110216

Throttle valve module, Engine control unit

- GX3 Throttle valve module
- G186 Throttle valve drive for electric throttle
- G187 Throttle valve drive angle sender 1 for electric throttle
- G188 Throttle valve drive angle sender 2 for electric throttle
- J519 Onboard supply control unit
- J623 Engine control unit
- T6f 6-pin connector
- T60a 60-pin connector



- ws = white
- sw = black
- ro = red
- rt = red
- br = brown
- gn = green
- bl = blue
- gr = grey
- li = purple
- vi = purple
- ge = yellow
- or = orange
- rs = pink

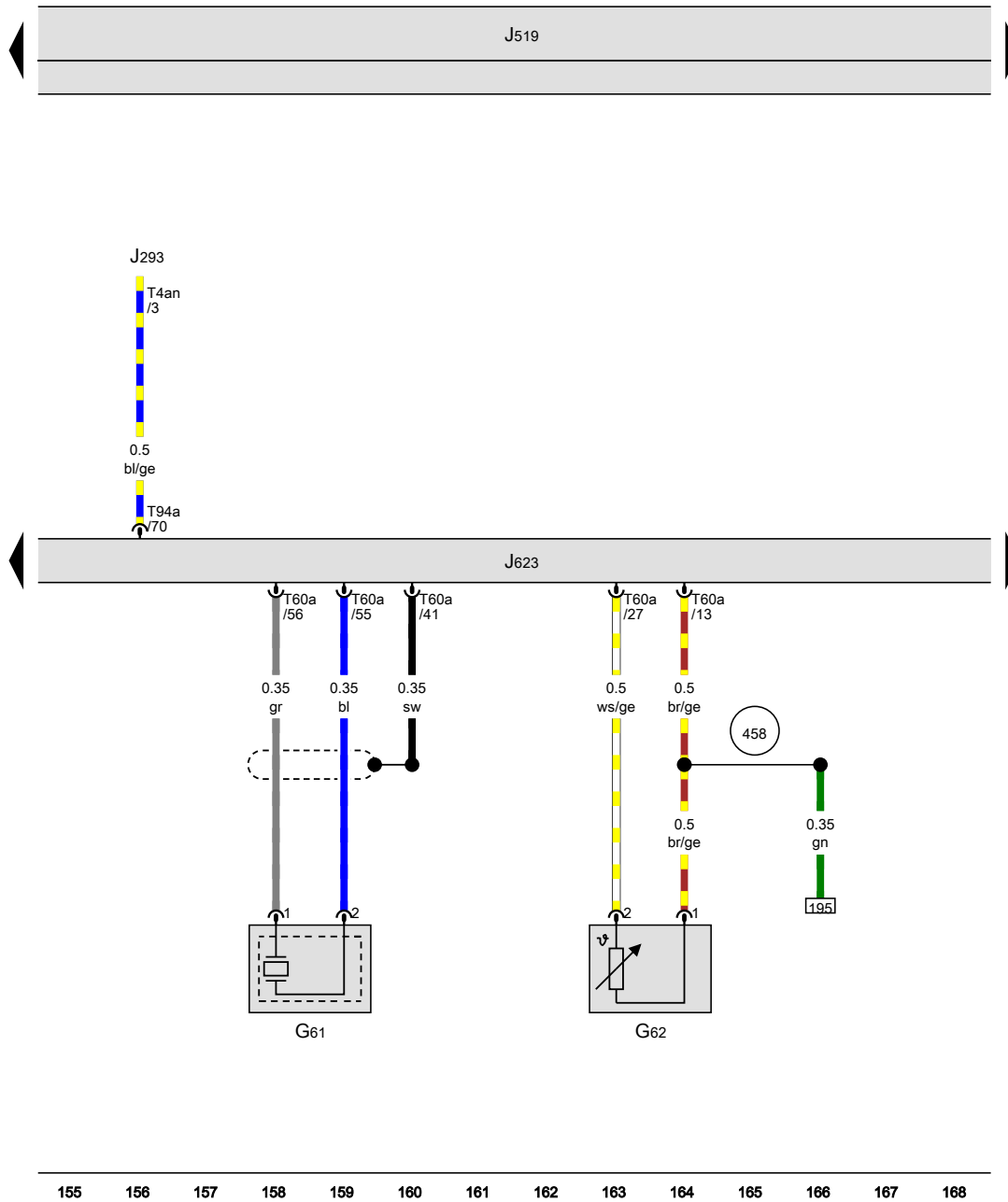
141 142 143 144 145 146 147 148 149 150 151 152 153 154

[NH0-005120216]

Knock sensor 1, Coolant temperature sender, Engine control unit

- G61 Knock sensor 1
- G62 Coolant temperature sender
- J293 Radiator fan control unit
- J519 Onboard supply control unit
- J623 Engine control unit
- T4an 4-pin connector
- T60a 60-pin connector
- T94a 94-pin connector

458 Earth point 3, engine prewiring harness



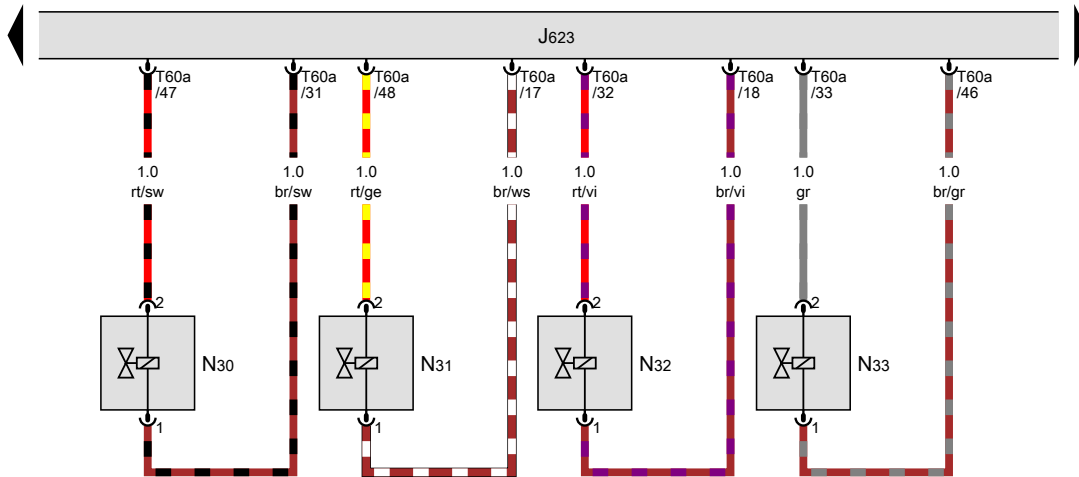
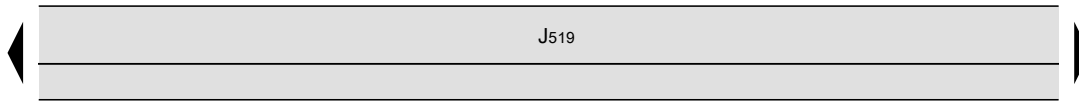
- ws = white
- sw = black
- ro = red
- rt = red
- br = brown
- gn = green
- bl = blue
- gr = grey
- li = purple
- vi = purple
- ge = yellow
- or = orange
- rs = pink

155 156 157 158 159 160 161 162 163 164 165 166 167 168

[NH0-005130216]

Engine control unit, Injector, cylinder 1, Injector, cylinder 2, Injector, cylinder 3, Injector, cylinder 4

- J519 Onboard supply control unit
- J623 Engine control unit
- N30 Injector, cylinder 1
- N31 Injector, cylinder 2
- N32 Injector, cylinder 3
- N33 Injector, cylinder 4
- T60a 60-pin connector



- ws = white
- sw = black
- ro = red
- rt = red
- br = brown
- gn = green
- bl = blue
- gr = grey
- li = purple
- vi = purple
- ge = yellow
- or = orange
- rs = pink

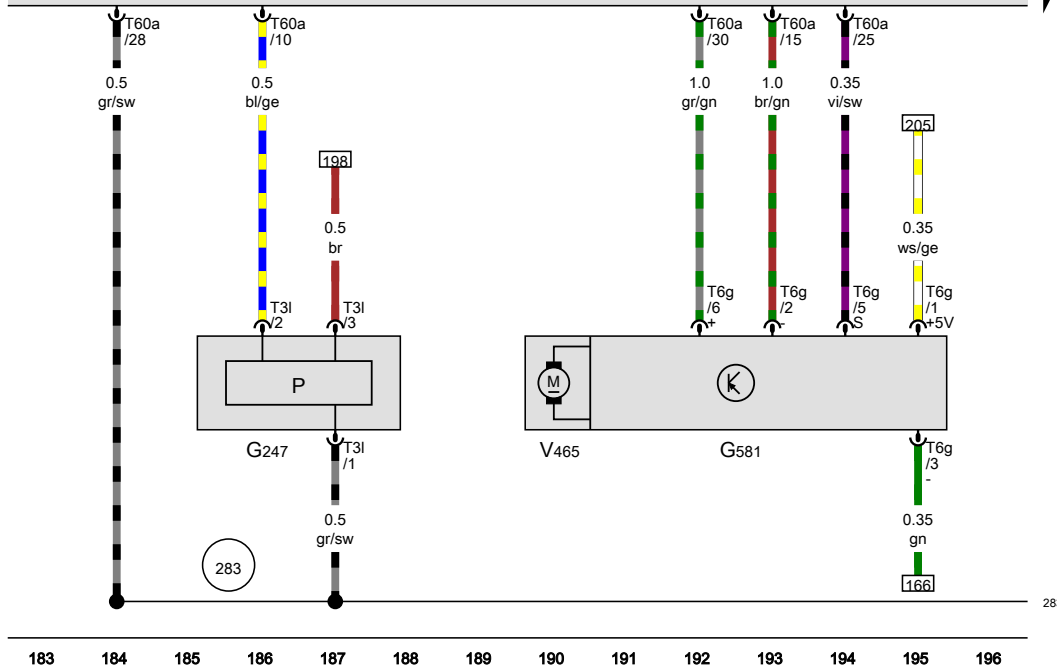
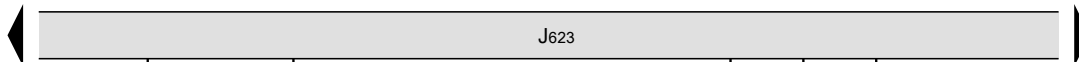
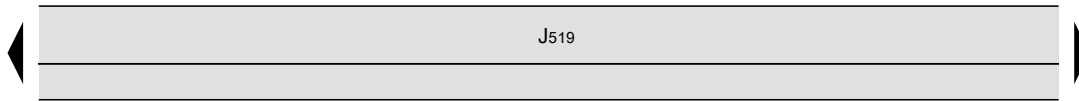
169 170 171 172 173 174 175 176 177 178 179 180 181 182

[NH0-005140216]

Fuel pressure sender, Position sender for charge pressure positioner, Engine control unit, Charge pressure positioner

- G247 Fuel pressure sender
- G581 Position sender for charge pressure positioner
- J519 Onboard supply control unit
- J623 Engine control unit
- T3I 3-pin connector
- T6g 6-pin connector
- T60a 60-pin connector
- V465 Charge pressure positioner

- 283 Earth point 2, engine prewiring harness

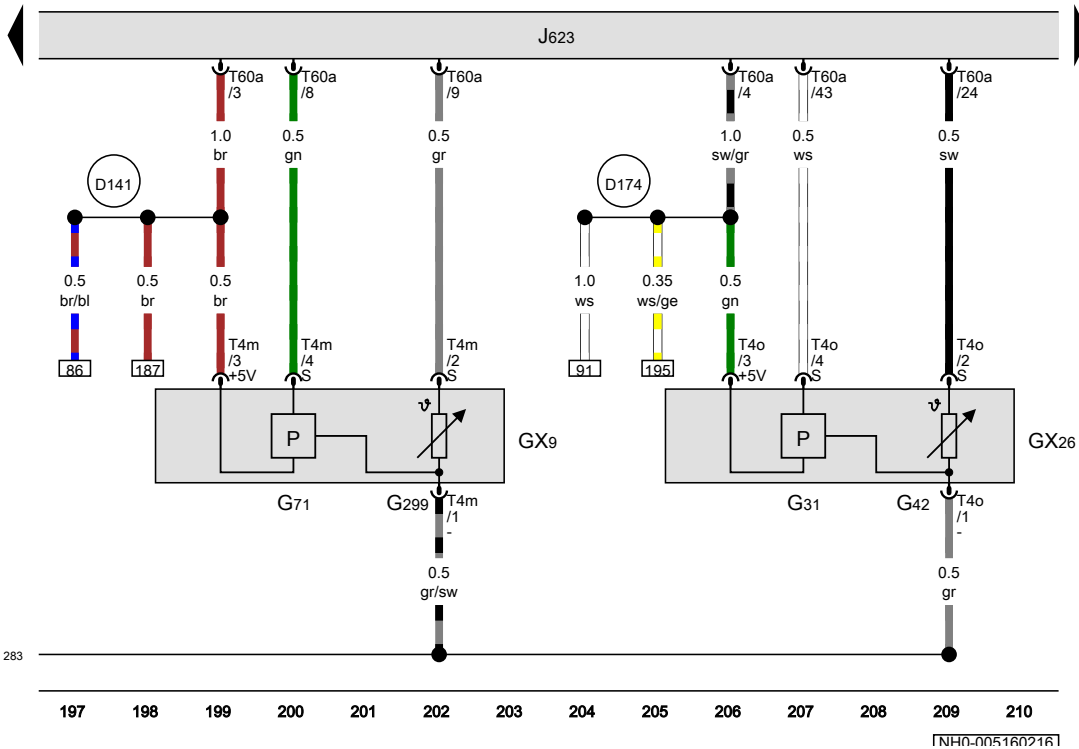
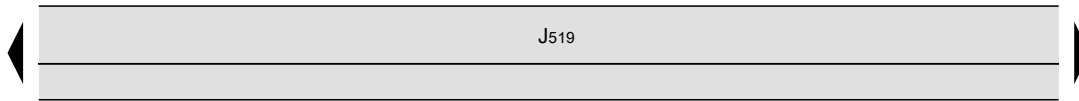


[NH0-005150216]

Intake manifold sender, Charge pressure sender, Engine control unit

- GX9 Intake manifold sender
- GX26 Charge pressure sender
- G31 Charge pressure sender
- G42 Intake air temperature sender
- G71 Intake manifold pressure sender
- G299 Intake air temperature sender 2
- J519 Onboard supply control unit
- J623 Engine control unit
- T4m 4-pin connector
- T4o 4-pin connector
- T60a 60-pin connector

- 283 Earth point 2, engine prewiring harness
- D141 Connection (5V) in engine prewiring harness
- D174 Connection 2 (5V) in engine prewiring harness



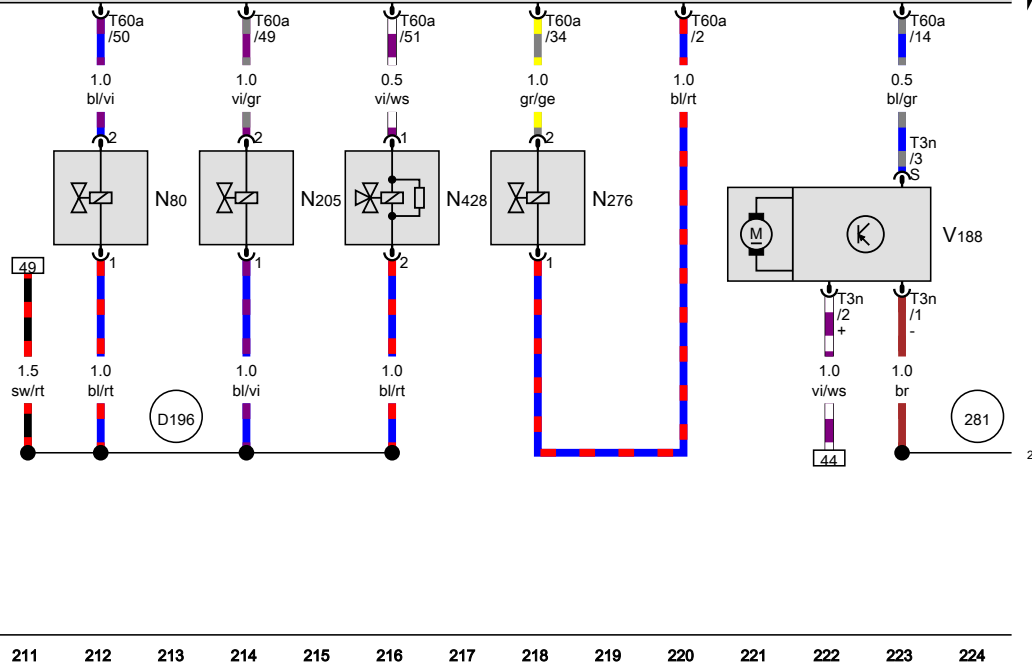
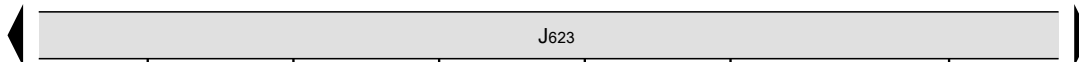
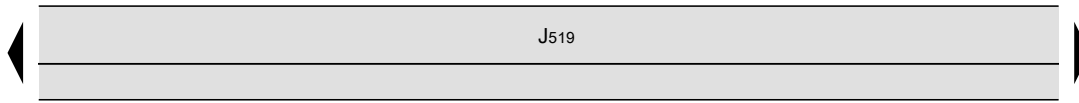
- ws = white
- sw = black
- ro = red
- rt = red
- br = brown
- gn = green
- bl = blue
- gr = grey
- li = purple
- vi = purple
- ge = yellow
- or = orange
- rs = pink

Engine control unit, Activated charcoal filter solenoid valve 1, Camshaft control valve 1, Fuel pressure regulating valve, Valve for oil pressure control, Charge air cooling pump

- J519 Onboard supply control unit
- J623 Engine control unit
- N80 Activated charcoal filter solenoid valve 1
- N205 Camshaft control valve 1
- N276 Fuel pressure regulating valve
- N428 Valve for oil pressure control
- T3n 3-pin connector
- T60a 60-pin connector
- V188 Charge air cooling pump

281 Earth point 1, engine prewiring harness

D196 Connection 2 (87a) in engine prewiring harness



- ws = white
- sw = black
- ro = red
- rt = red
- br = brown
- gn = green
- bl = blue
- gr = grey
- li = purple
- vi = purple
- ge = yellow
- or = orange
- rs = pink

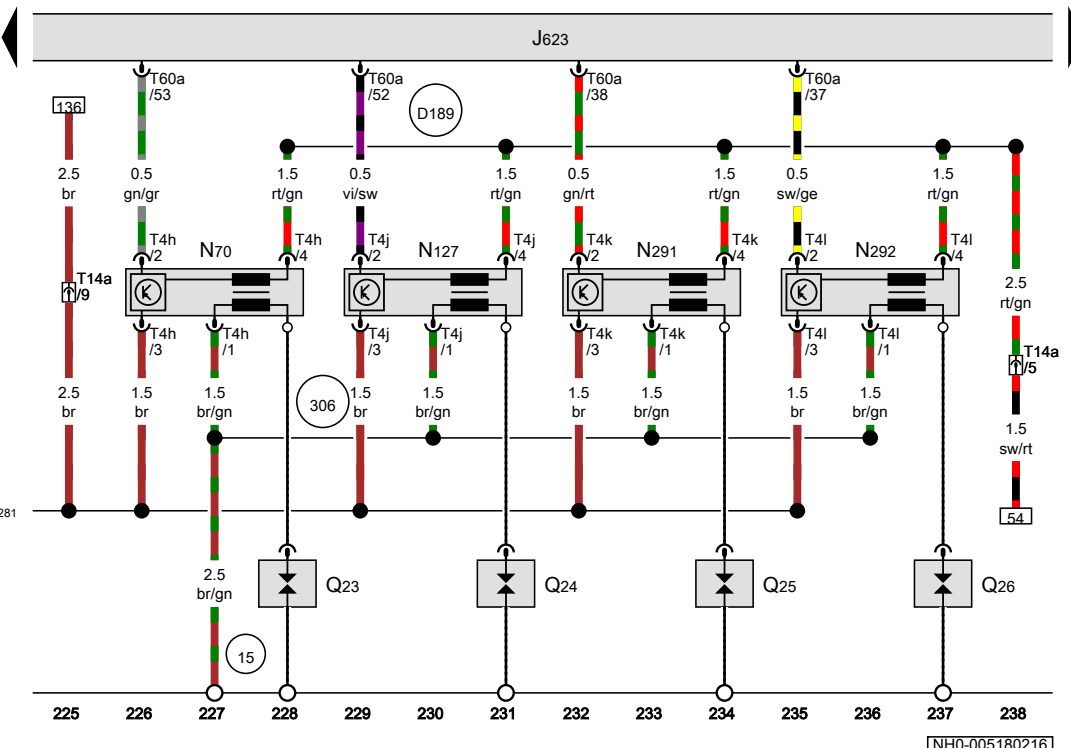
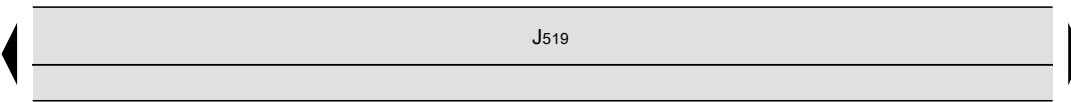
211 212 213 214 215 216 217 218 219 220 221 222 223 224

[NH0-005170216]

Engine control unit, Ignition coil 1 with output stage, Ignition coil 2 with output stage, Ignition coil 3 with output stage, Ignition coil 4 with output stage

- J519 Onboard supply control unit
- J623 Engine control unit
- N70 Ignition coil 1 with output stage
- N127 Ignition coil 2 with output stage
- N291 Ignition coil 3 with output stage
- N292 Ignition coil 4 with output stage
- Q23 Spark plug 1
- Q24 Spark plug 2
- Q25 Spark plug 3
- Q26 Spark plug 4
- T4h 4-pin connector
- T4j 4-pin connector
- T4k 4-pin connector
- T4l 4-pin connector
- T14a 14-pin connector, front left in engine compartment
- T60a 60-pin connector

- 15 Earth point, on cylinder head
- 281 Earth point 1, engine prewiring harness
- 306 Earth connection (ignition coils), in engine prewiring harness
- D189 Connection (87a) in engine prewiring harness

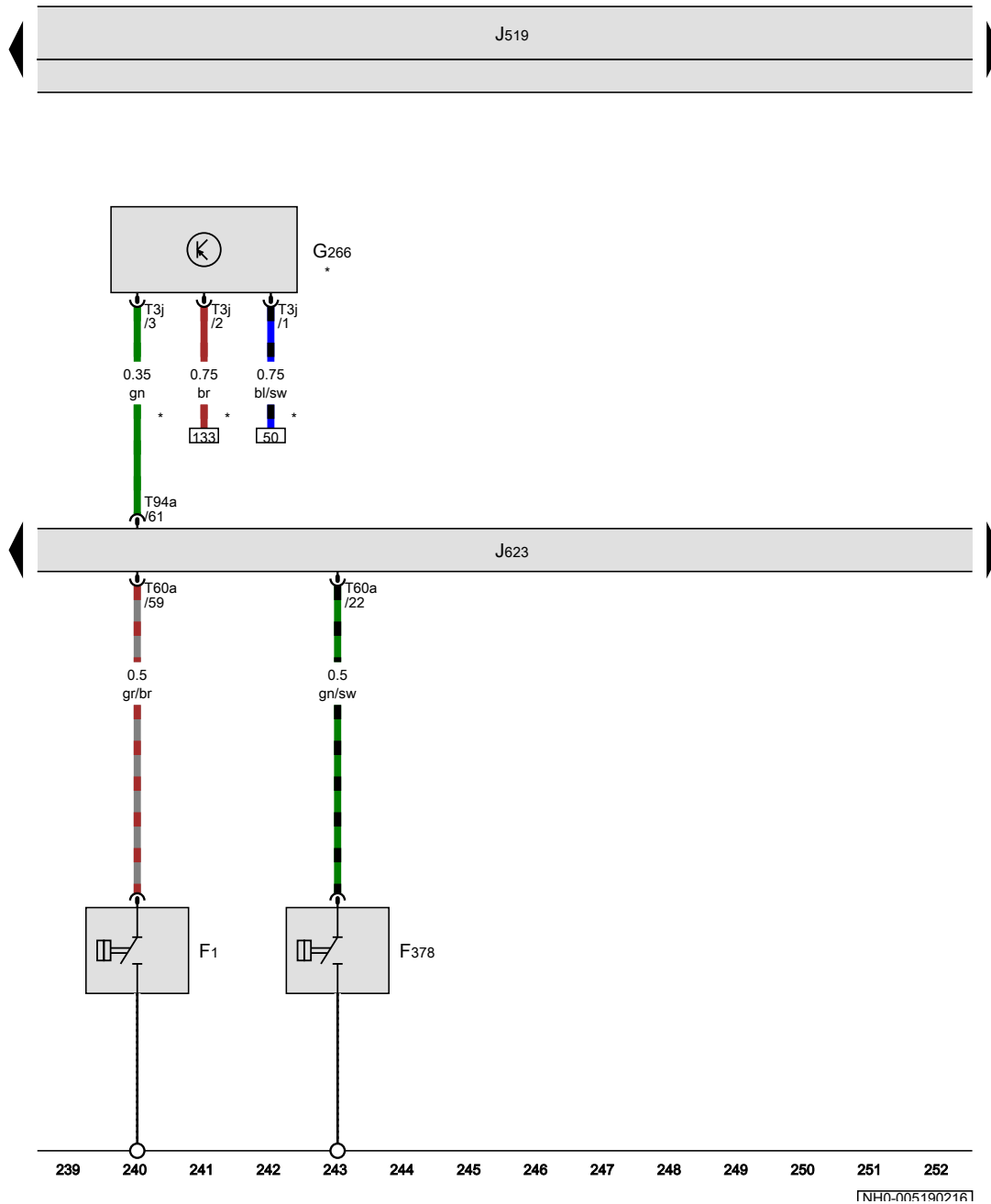


- ws = white
- sw = black
- ro = red
- rt = red
- br = brown
- gn = green
- bl = blue
- gr = grey
- li = purple
- vi = purple
- ge = yellow
- or = orange
- rs = pink

[NHN-005180216]

Oil pressure switch, Oil pressure switch for reduced oil pressure, Oil level and oil temperature sender, Engine control unit

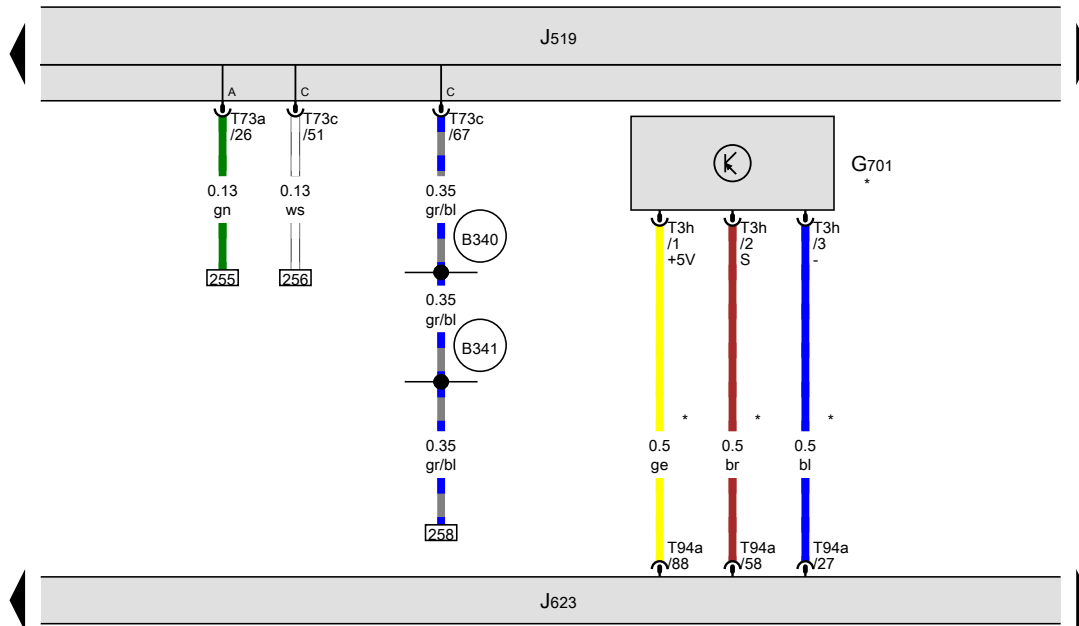
- F1 Oil pressure switch
- F378 Oil pressure switch for reduced oil pressure
- G266 Oil level and oil temperature sender
- J519 Onboard supply control unit
- J623 Engine control unit
- T3j 3-pin connector
- T60a 60-pin connector
- T94a 94-pin connector
- * Only models with extended servicing intervals (ESI)



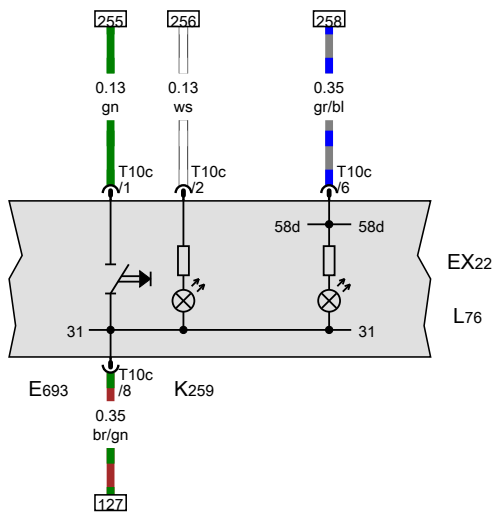
- ws = white
- sw = black
- ro = red
- rt = red
- br = brown
- gn = green
- bl = blue
- gr = grey
- li = purple
- vi = purple
- ge = yellow
- or = orange
- rs = pink

[NH0-005190216]

Centre switch module in dash panel, Start/Stop operation button, Gearbox neutral position sender, Engine control unit



- EX22 Centre switch module in dash panel
 - E693 Start/Stop operation button
 - G701 Gearbox neutral position sender
 - J519 Onboard supply control unit
 - J623 Engine control unit
 - K259 Start/Stop operation warning lamp
 - L76 Button illumination bulb
 - T3h 3-pin connector
 - T10c 10-pin connector, black
 - T73a 73-pin connector, black
 - T73c 73-pin connector, black
 - T94a 94-pin connector
- B340 Connection 1 (58d), in main wiring harness
B341 Connection 2 (58d), in main wiring harness
 * Only models with manual gearbox



- ws = white
- sw = black
- ro = red
- rt = red
- br = brown
- gn = green
- bl = blue
- gr = grey
- li = purple
- vi = purple
- ge = yellow
- or = orange
- rs = pink

253 254 255 256 257 258 259 260 261 262 263 264 265 266

[NH0-005200216]

Fuel delivery unit, Fuel pump control unit, Engine control unit

- G Fuel gauge sender
- GX1 Fuel delivery unit
- G6 Fuel system pressurisation pump
- J519 Onboard supply control unit
- J538 Fuel pump control unit
- J623 Engine control unit
- T5a 5-pin connector
- T10j 10-pin connector
- T94a 94-pin connector

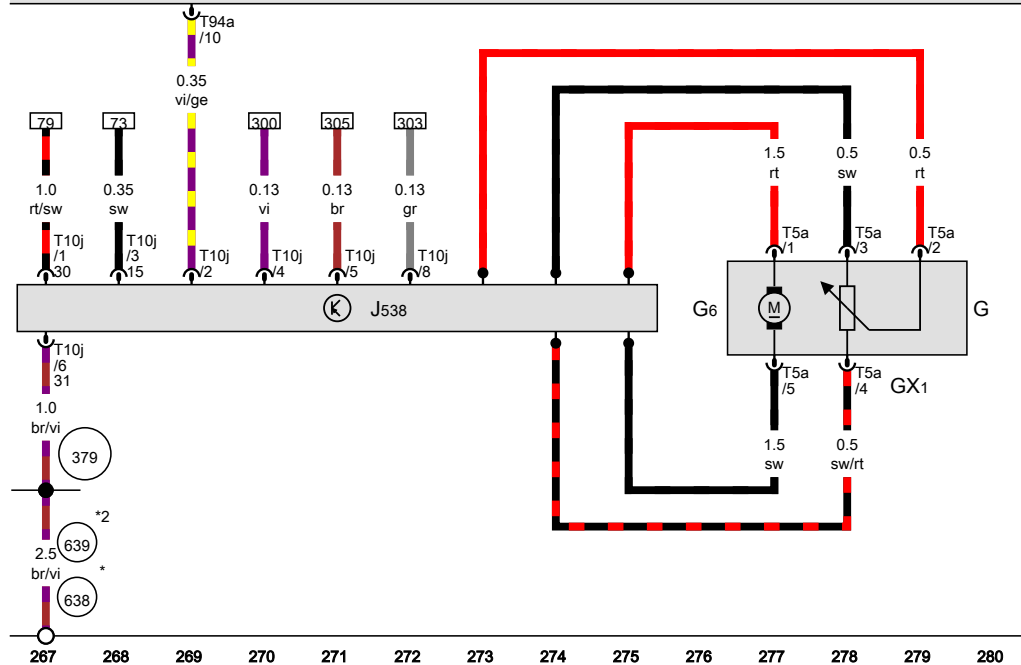
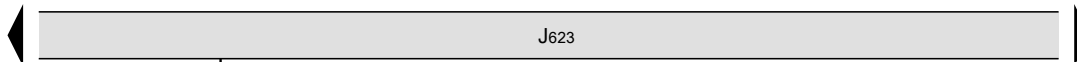
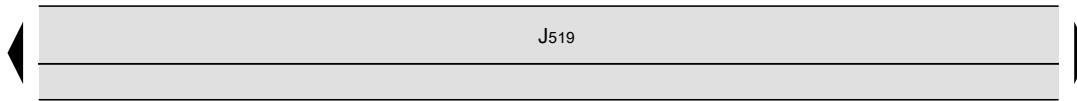
379 Earth connection 14, in main wiring harness

638 Earth point, on right A-pillar

639 Earth point, left A-pillar

* Only left-hand drive models

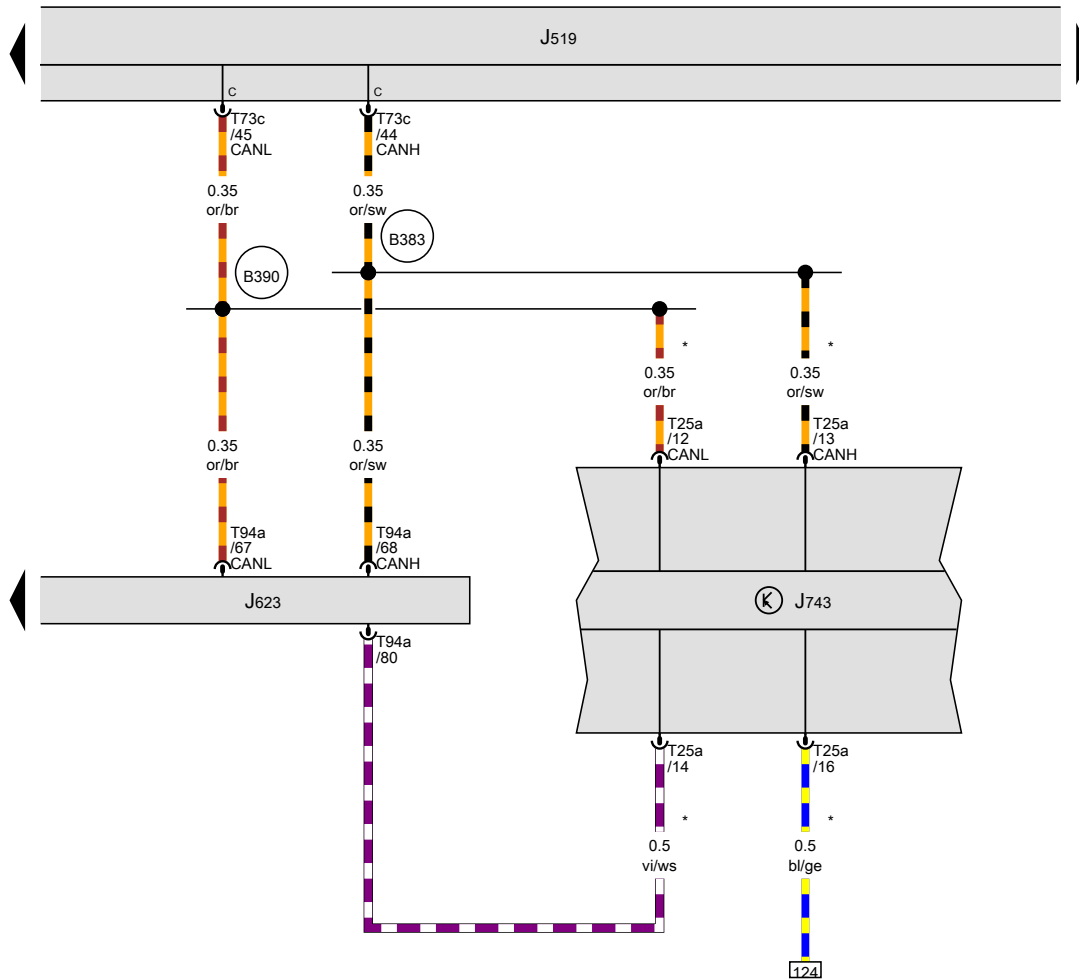
*2 Only right-hand drive models



- ws = white
- sw = black
- ro = red
- rt = red
- br = brown
- gn = green
- bl = blue
- gr = grey
- li = purple
- vi = purple
- ge = yellow
- or = orange
- rs = pink

[NH0-005210216]

Engine control unit, Mechatronic unit for dual clutch gearbox



- J519 Onboard supply control unit
- J623 Engine control unit
- J743 Mechatronic unit for dual clutch gearbox
- T25a 25-pin connector
- T73c 73-pin connector, black
- T94a 94-pin connector

B383 Connection 1 (powertrain CAN bus, high), in main wiring harness

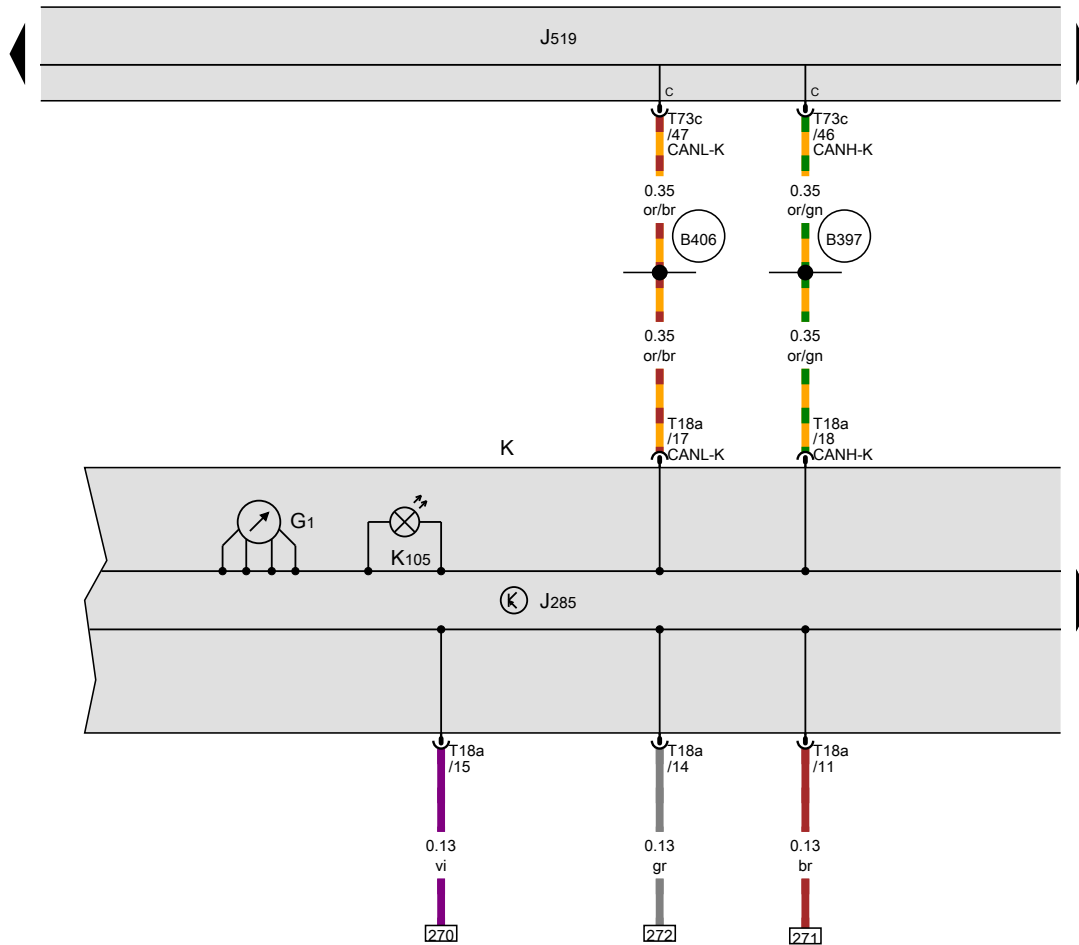
B390 Connection 1 (powertrain CAN bus, low), in main wiring harness

* Only models with automatic gearbox

- ws = white
- sw = black
- ro = red
- rt = red
- br = brown
- gn = green
- bl = blue
- gr = grey
- li = purple
- vi = purple
- ge = yellow
- or = orange
- rs = pink

Fuel gauge, Dash panel insert

- G1 Fuel gauge
- J285 Control unit in dash panel insert
- J519 Onboard supply control unit
- K Dash panel insert
- K105 Reserve fuel warning lamp
- T18a 18-pin connector
- T73c 73-pin connector, black
- B397** Connection 1 (convenience CAN bus, high), in main wiring harness
- B406** Connection 1 (convenience CAN bus, low), in main wiring harness



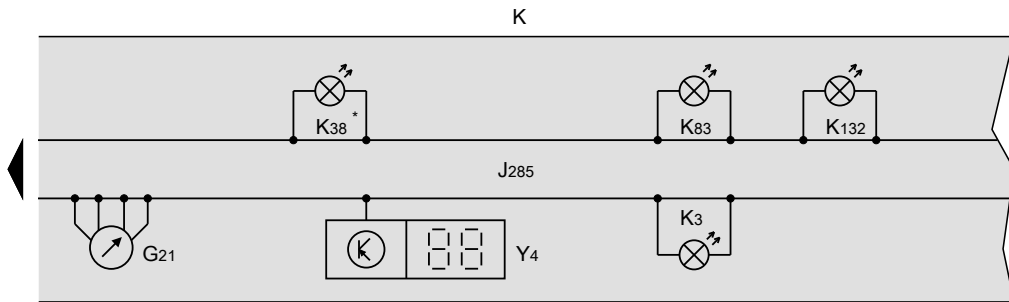
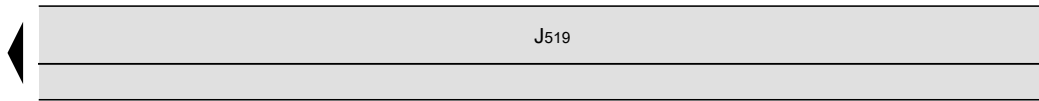
- ws = white
- sw = black
- ro = red
- rt = red
- br = brown
- gn = green
- bl = blue
- gr = grey
- li = purple
- vi = purple
- ge = yellow
- or = orange
- rs = pink

295 296 297 298 299 300 301 302 303 304 305 306 307 308

[NH0-005230216]

Speedometer, Dash panel insert, Trip counter

- G21 Speedometer
- J285 Control unit in dash panel insert
- J519 Onboard supply control unit
- K Dash panel insert
- K3 Oil pressure warning lamp
- K38 Oil level warning lamp
- K83 Exhaust emissions warning lamp
- K132 Electronic power control fault lamp
- Y4 Trip counter
- * Only models with extended servicing intervals (ESI)



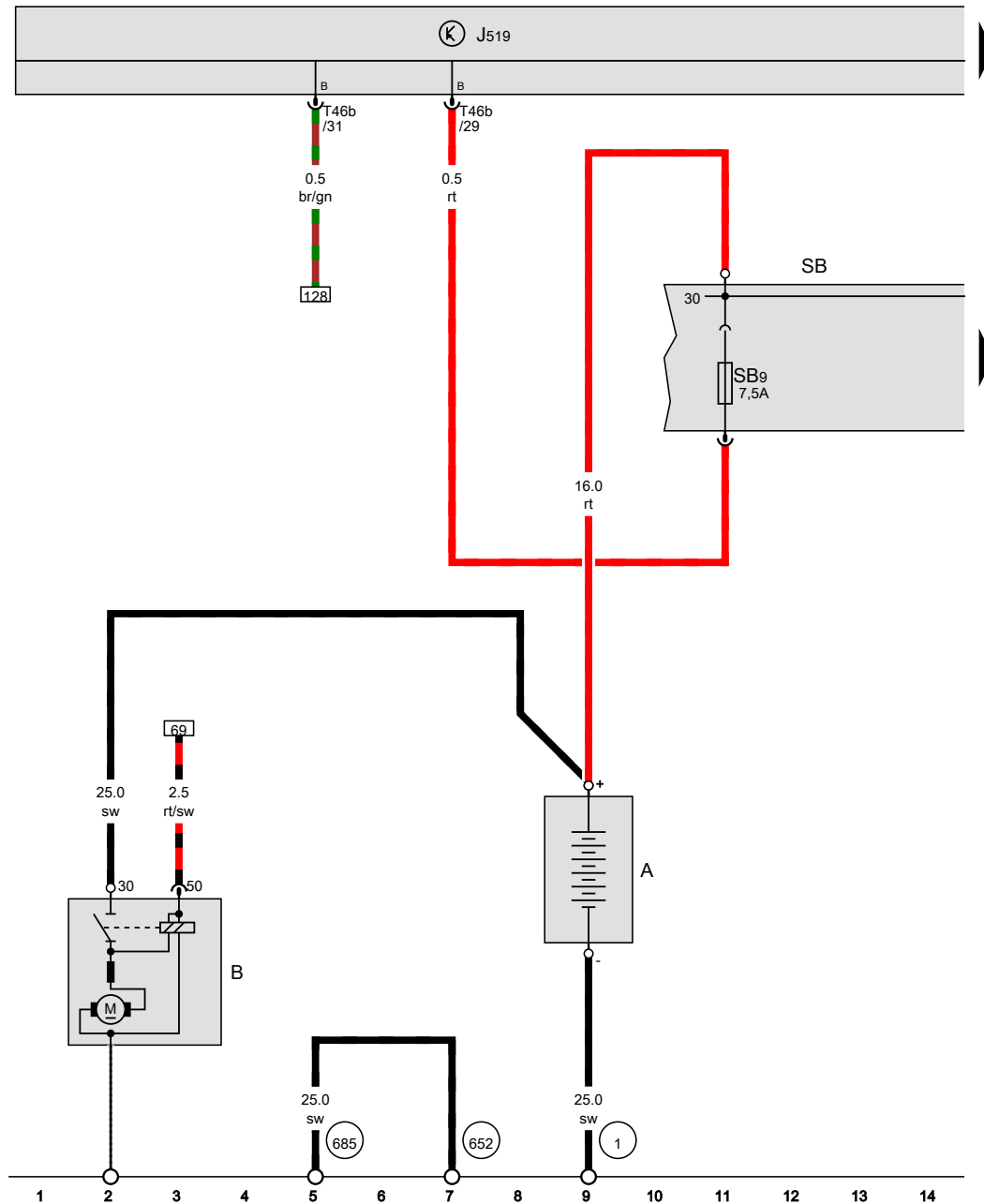
- ws = white
- sw = black
- ro = red
- rt = red
- br = brown
- gn = green
- bl = blue
- gr = grey
- li = purple
- vi = purple
- ge = yellow
- or = orange
- rs = pink

309 310 311 312 313 314 315 316 317 318 319 320 321 322

[NH0-005240216]

1.6l petrol engine , CWVB,CWVA,(7L3)

From May 2015



Battery, Starter, Fuse holder B

- A Battery
- B Starter
- J519 Onboard supply control unit
- SB Fuse holder B
- SB9 Fuse 9 on fuse holder B
- T46b 46-pin connector, brown
- 1 Earth strap, battery - body
- 652 Earth point, engine and gearbox earth
- 685 Earth point 1 at front of right longitudinal member

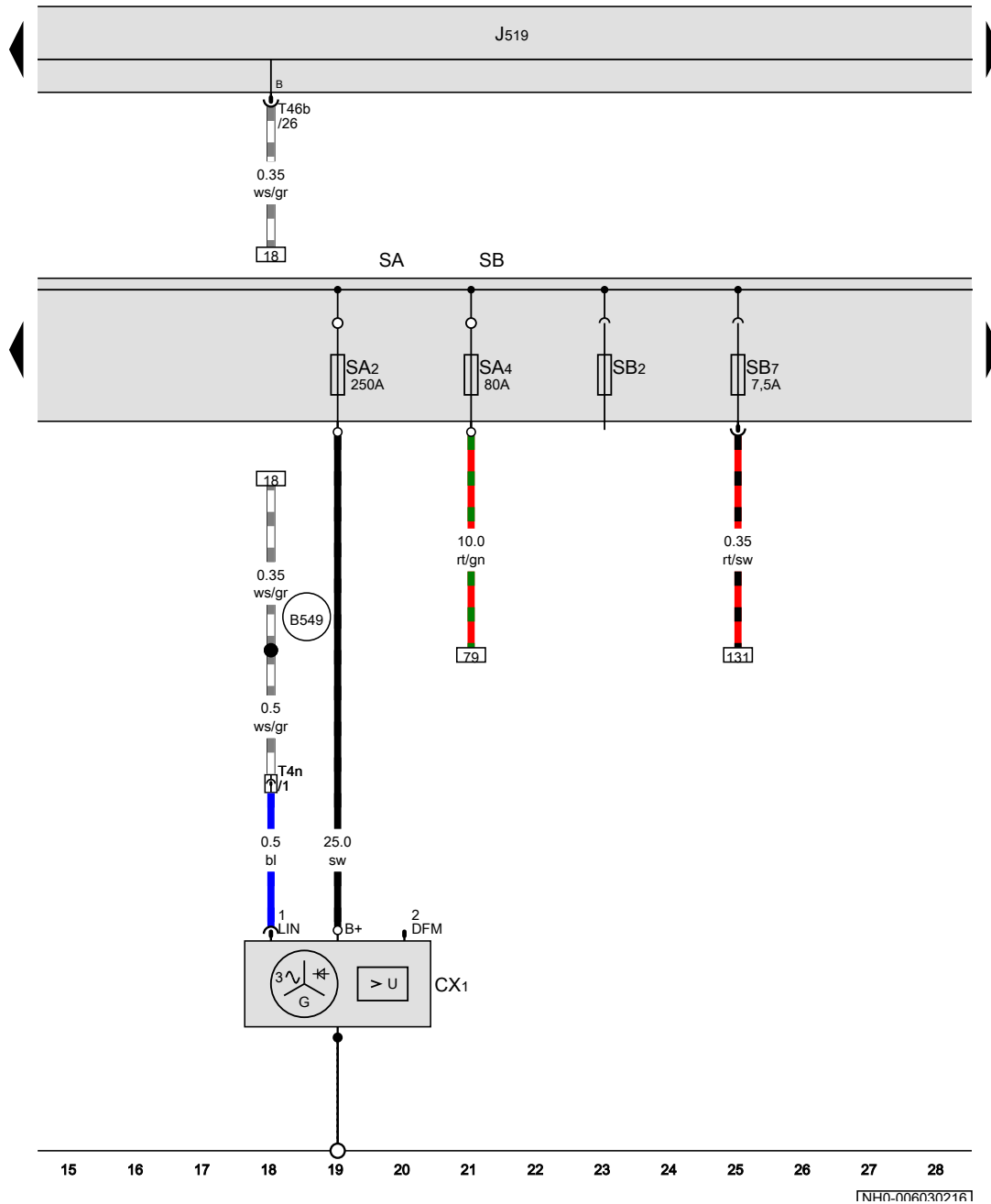
- ws = white
- sw = black
- ro = red
- rt = red
- br = brown
- gn = green
- bl = blue
- gr = grey
- li = purple
- vi = purple
- ge = yellow
- or = orange
- rs = pink

[NH0-006020216]

Alternator with voltage regulator, Fuse holder A, Fuse holder B

- CX1 Alternator with voltage regulator
- J519 Onboard supply control unit
- SA Fuse holder A
- SA2 Fuse 2 in fuse holder A
- SB2 Fuse 2 on fuse holder B
- SA4 Fuse 4 in fuse holder A
- SB Fuse holder B
- SB7 Fuse 7 on fuse holder B
- T4n 4-pin connector, front left in engine compartment
- T46b 46-pin connector, brown

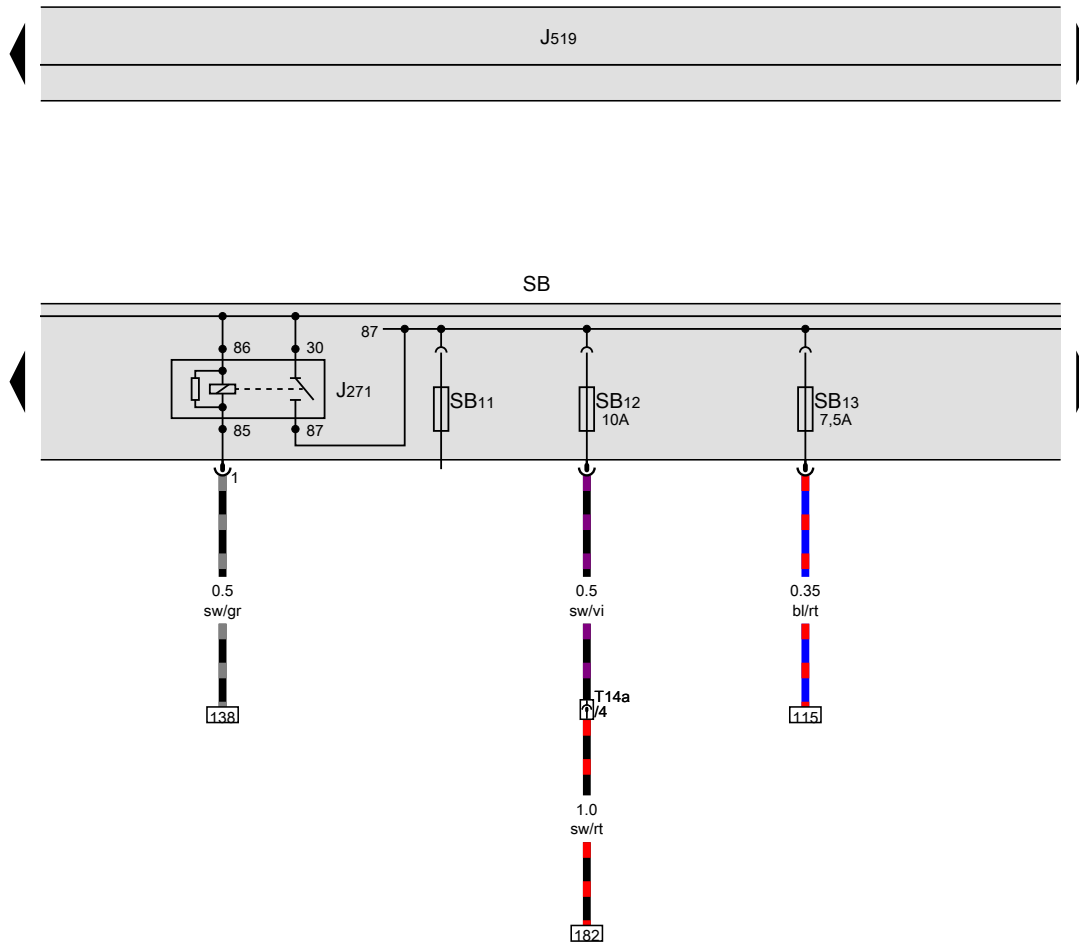
B549 Connection 2 (LIN bus) in main wiring harness



- ws = white
- sw = black
- ro = red
- rt = red
- br = brown
- gn = green
- bl = blue
- gr = grey
- li = purple
- vi = purple
- ge = yellow
- or = orange
- rs = pink

Main relay, Fuse holder B

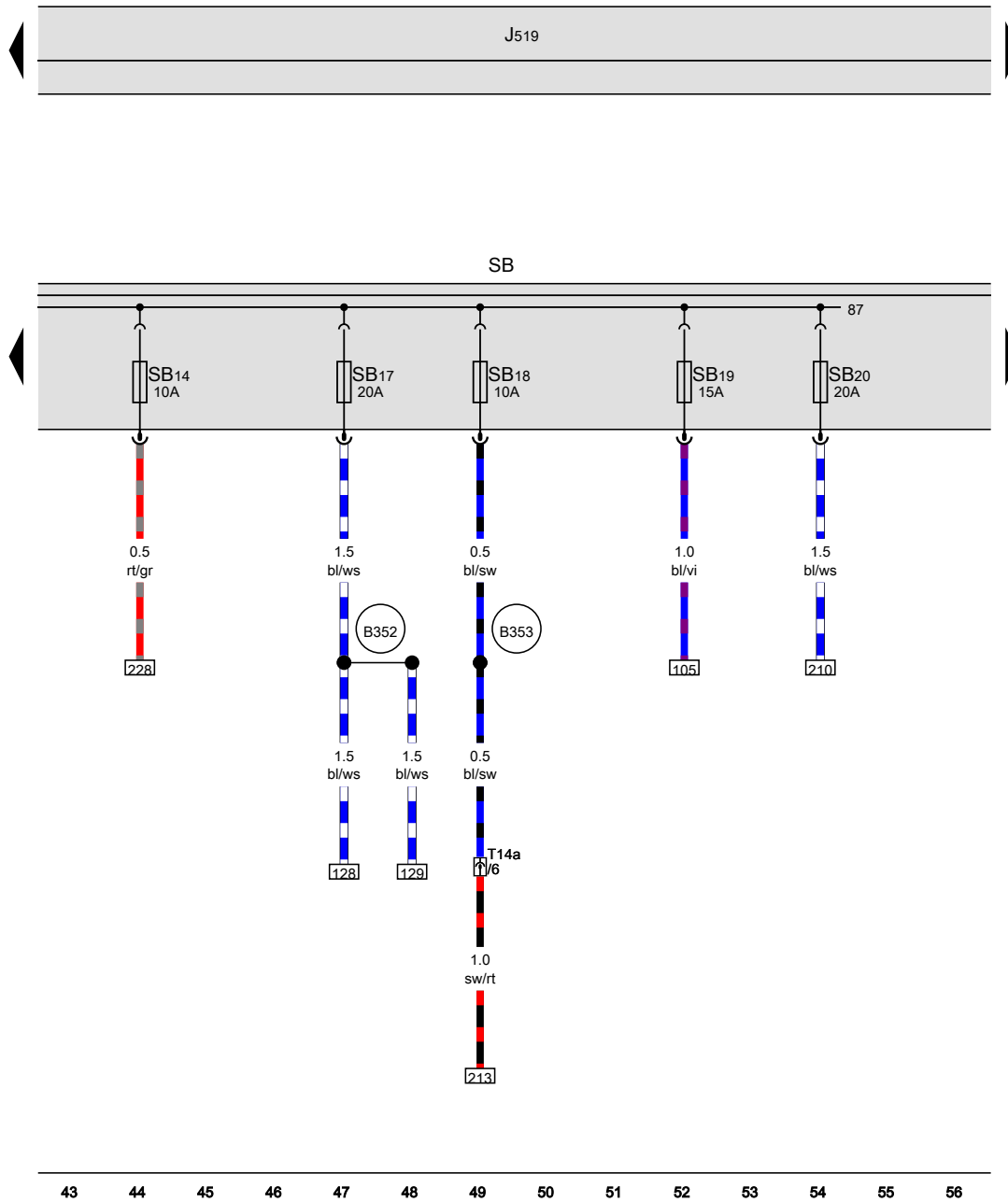
- J271 Main relay
- J519 Onboard supply control unit
- SB Fuse holder B
- SB11 Fuse 11 on fuse holder B
- SB12 Fuse 12 on fuse holder B
- SB13 Fuse 13 on fuse holder B
- T14a 14-pin connector, front left in engine compartment



- ws = white
- sw = black
- ro = red
- rt = red
- br = brown
- gn = green
- bl = blue
- gr = grey
- li = purple
- vi = purple
- ge = yellow
- or = orange
- rs = pink

29 30 31 32 33 34 35 36 37 38 39 40 41 42

[NH0-006040216]



Fuse holder B

- J519 Onboard supply control unit
- SB Fuse holder B
- SB14 Fuse 14 on fuse holder B
- SB17 Fuse 17 on fuse holder B
- SB18 Fuse 18 on fuse holder B
- SB19 Fuse 19 on fuse holder B
- SB20 Fuse 20 on fuse holder B
- T14a 14-pin connector, front left in engine compartment

B352 Positive connection 3 (87a) in main wiring harness

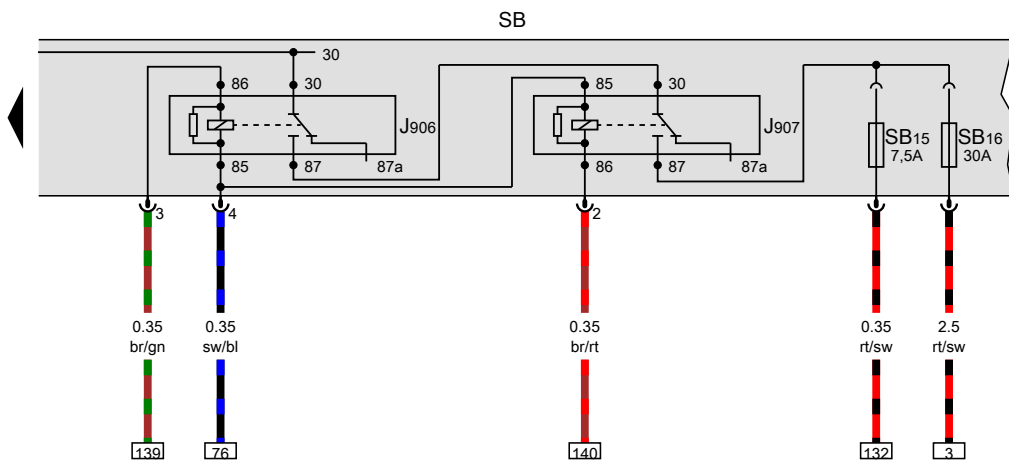
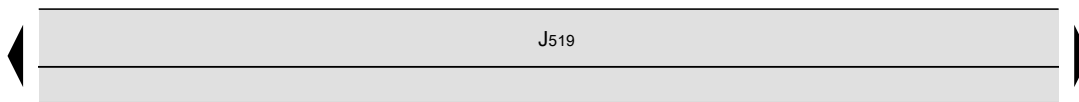
B353 Positive connection 4 (87a) in main wiring harness

- ws = white
- sw = black
- ro = red
- rt = red
- br = brown
- gn = green
- bl = blue
- gr = grey
- li = purple
- vi = purple
- ge = yellow
- or = orange
- rs = pink

[NH0-006050216]

Starter relay 1, Starter relay 2, Fuse holder B

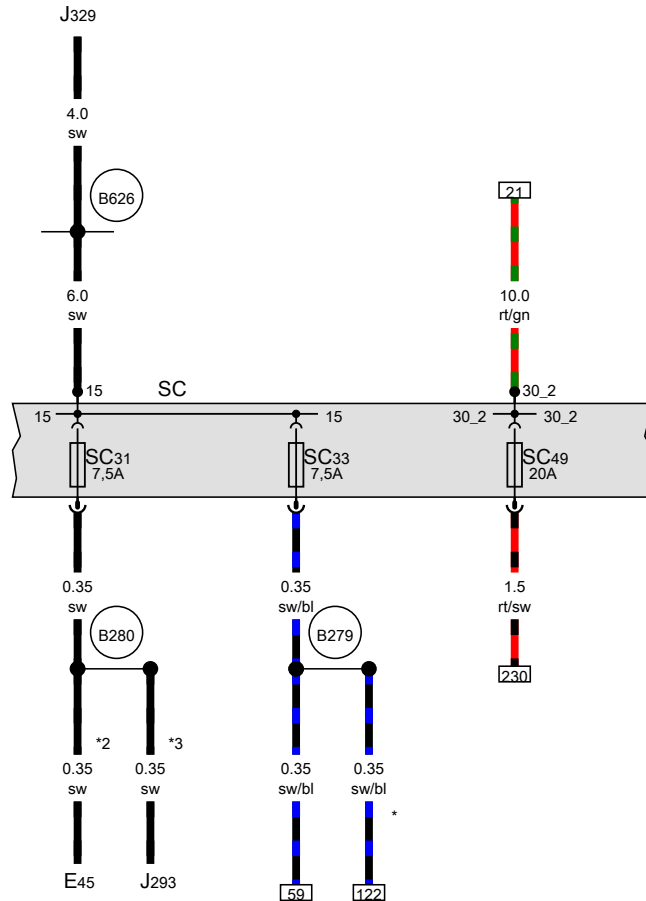
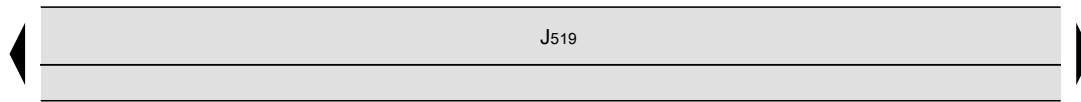
- J519 Onboard supply control unit
- J906 Starter relay 1
- J907 Starter relay 2
- SB Fuse holder B
- SB15 Fuse 15 on fuse holder B
- SB16 Fuse 16 on fuse holder B



- ws = white
- sw = black
- ro = red
- rt = red
- br = brown
- gn = green
- bl = blue
- gr = grey
- li = purple
- vi = purple
- ge = yellow
- or = orange
- rs = pink

57 58 59 60 61 62 63 64 65 66 67 68 69 70

[NH0-006060216]



Fuse holder C

- E45 Cruise control system switch
- J293 Radiator fan control unit
- J329 Terminal 15 voltage supply relay
- J519 Onboard supply control unit
- SC Fuse holder C
- SC31 Fuse 31 on fuse holder C
- SC33 Fuse 33 on fuse holder C
- SC49 Fuse 49 on fuse holder C

B279 Positive connection 3 (15a) in main wiring harness

B280 Positive connection 4 (15a) in main wiring harness

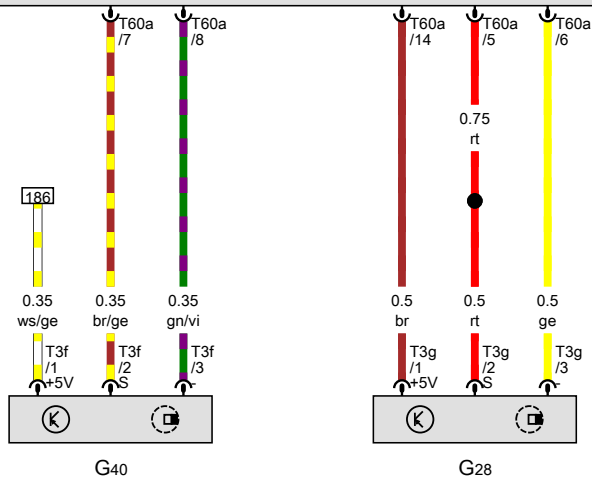
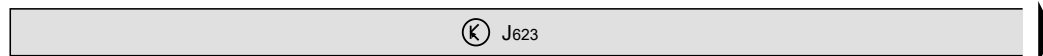
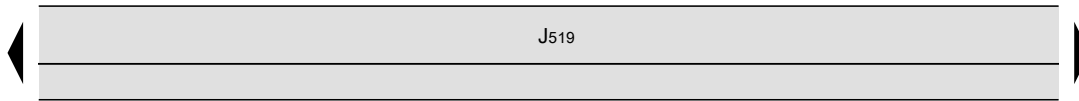
B626 Positive connection 2 (15), in main wiring harness

- * Only models with manual gearbox
- *2 Only models with cruise control system (CCS)
- *3 Only models with air conditioning system/ Climatronic

- ws = white
- sw = black
- ro = red
- rt = red
- br = brown
- gn = green
- bl = blue
- gr = grey
- li = purple
- vi = purple
- ge = yellow
- or = orange
- rs = pink

Engine speed sender, Hall sender, Engine control unit

- G28 Engine speed sender
- G40 Hall sender
- J519 Onboard supply control unit
- J623 Engine control unit
- T3f 3-pin connector
- T3g 3-pin connector
- T60a 60-pin connector



- ws = white
- sw = black
- ro = red
- rt = red
- br = brown
- gn = green
- bl = blue
- gr = grey
- li = purple
- vi = purple
- ge = yellow
- or = orange
- rs = pink

85 86 87 88 89 90 91 92 93 94 95 96 97 98

[NH0-006080216]

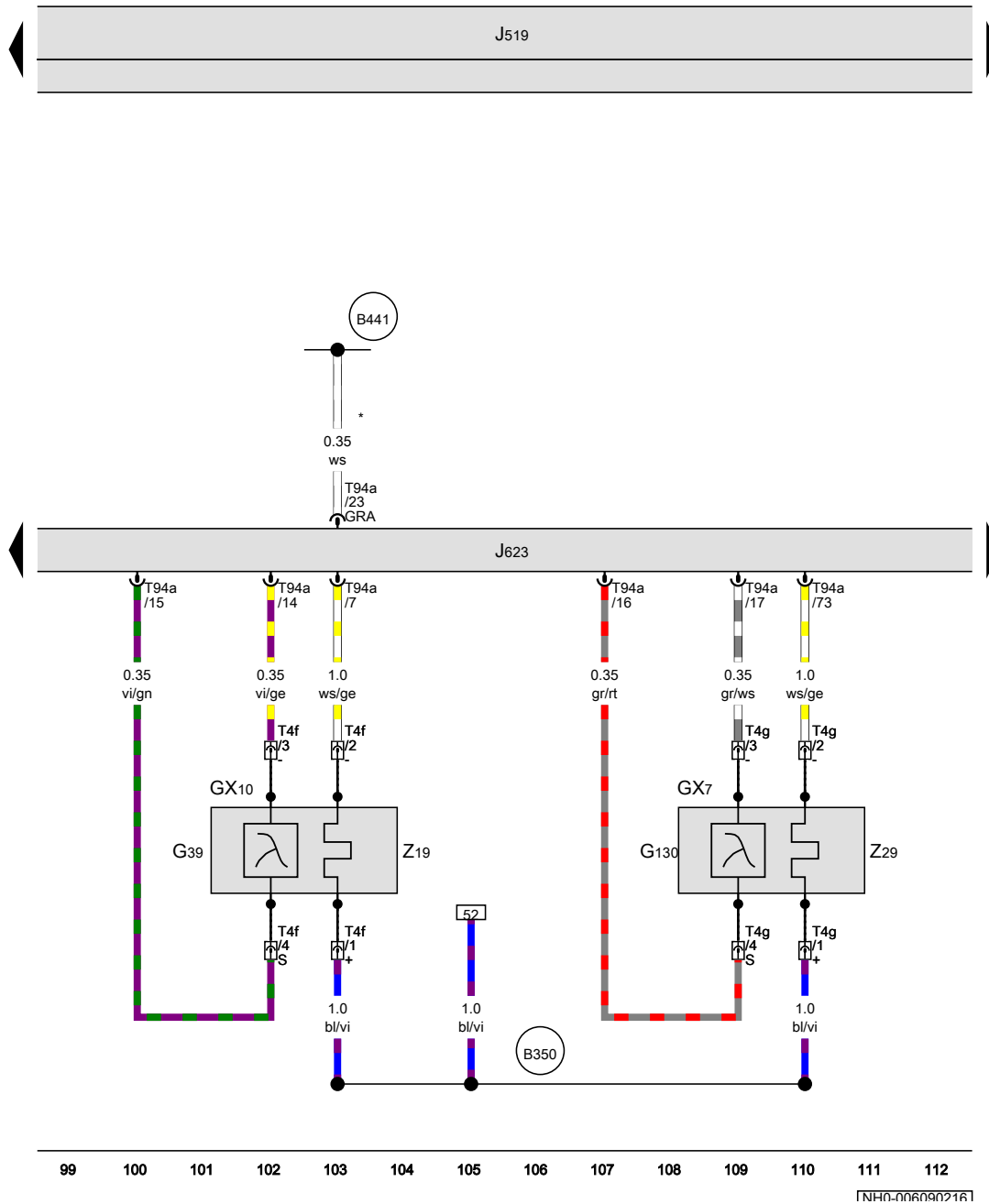
Lambda probe 1 after catalytic converter, Lambda probe 1 before catalytic converter, Engine control unit

- GX7 Lambda probe 1 after catalytic converter
- GX10 Lambda probe 1 before catalytic converter
- G39 Lambda probe
- G130 Lambda probe after catalytic converter
- J519 Onboard supply control unit
- J623 Engine control unit
- T4f 4-pin connector, brown
- T4g 4-pin connector, black
- T94a 94-pin connector
- Z19 Lambda probe heater
- Z29 Lambda probe 1 heater after catalytic converter

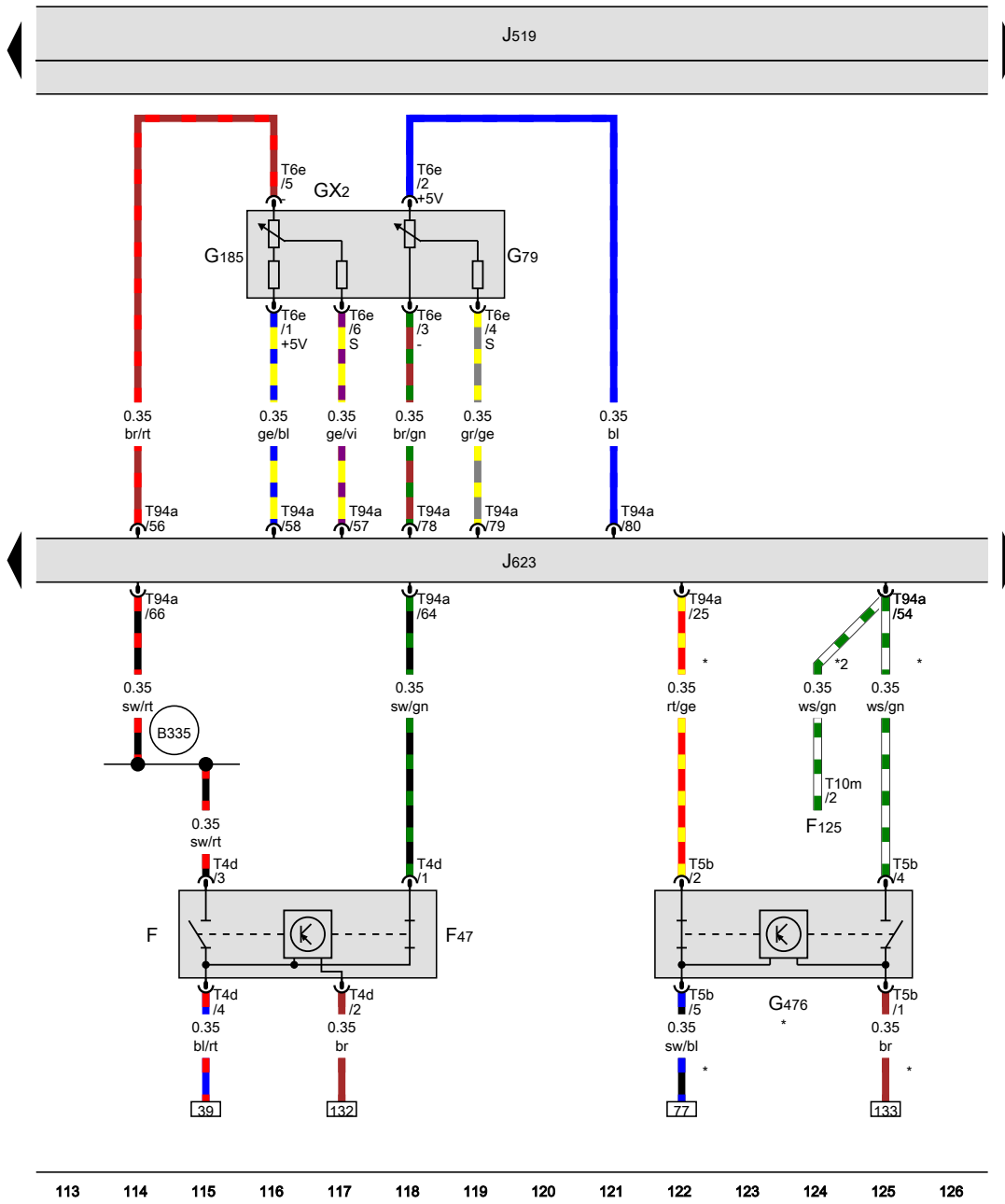
B350 Positive connection 1 (87a) in main wiring harness

B441 Connection (CCS), in main wiring harness

* Only models with cruise control system (CCS)

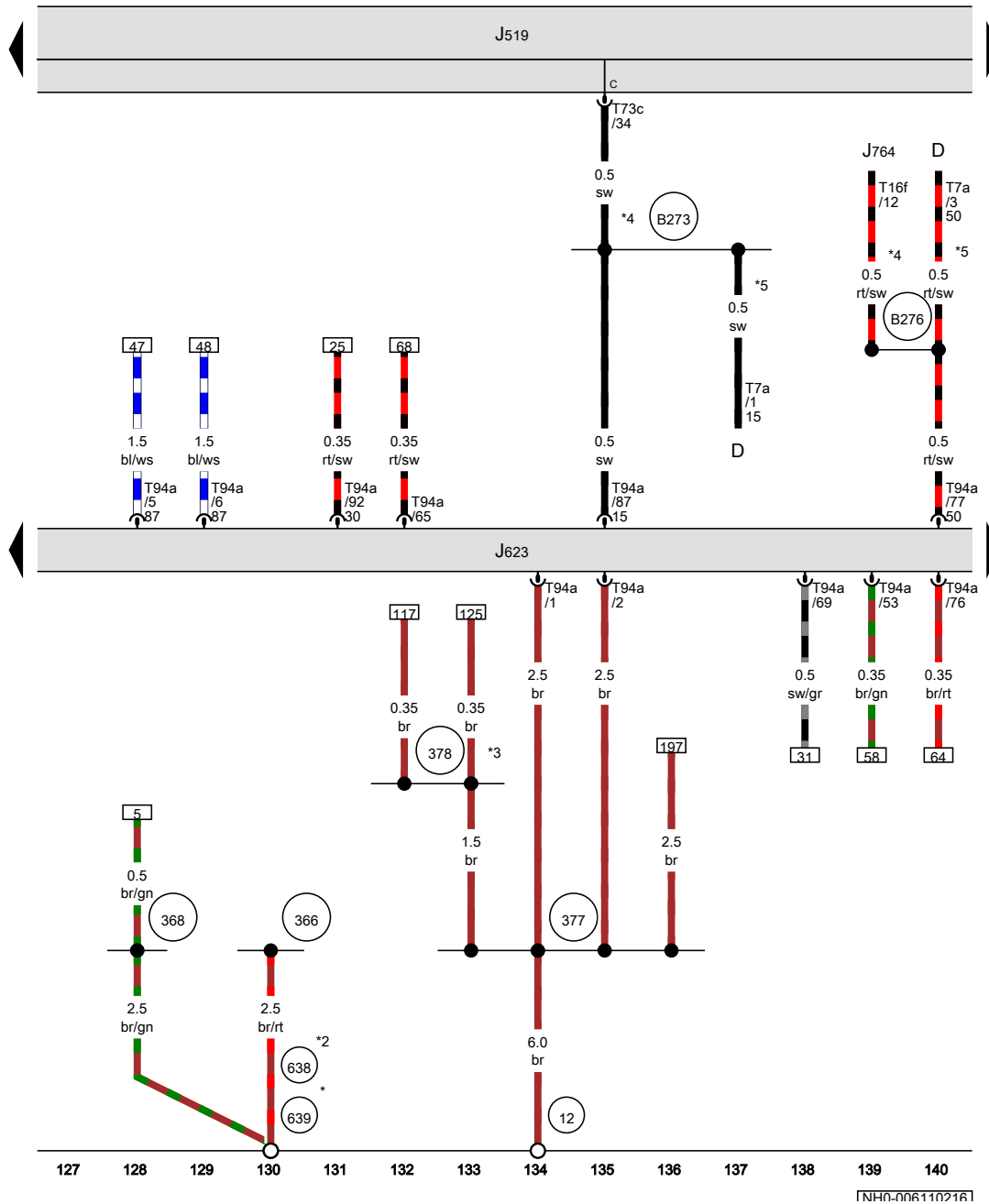


Brake pedal switch, Accelerator pedal module, Clutch position sender, Engine control unit



- F Brake light switch
- F47 Brake pedal switch
- F125 Multifunction switch
- GX2 Accelerator pedal module
- G79 Accelerator position sender
- G185 Accelerator position sender 2
- G476 Clutch position sender
- J519 Onboard supply control unit
- J623 Engine control unit
- T4d 4-pin connector
- T5b 5-pin connector
- T6e 6-pin connector
- T10m 10-pin connector
- T94a 94-pin connector
- B335** Connection 1 (54), in main wiring harness
- * Only models with manual gearbox
- *2 Only models with automatic gearbox

- ws = white
- sw = black
- ro = red
- rt = red
- br = brown
- gn = green
- bl = blue
- gr = grey
- li = purple
- vi = purple
- ge = yellow
- or = orange
- rs = pink



Engine control unit

- D Ignition/starter switch
- J519 Onboard supply control unit
- J623 Engine control unit
- J764 Control unit for electronic steering column lock
- T7a 7-pin connector
- T16f 16-pin connector
- T73c 73-pin connector, black
- T94a 94-pin connector

- 12 Earth point, on left in engine compartment
- 366 Earth connection 1, in main wiring harness
- 368 Earth connection 3, in main wiring harness
- 377 Earth connection 12, in main wiring harness
- 378 Earth connection 13, in main wiring harness
- 638 Earth point, on right A-pillar
- 639 Earth point, left A-pillar
- B273 Positive connection (15), in main wiring harness
- B276 Positive connection (50), in main wiring harness

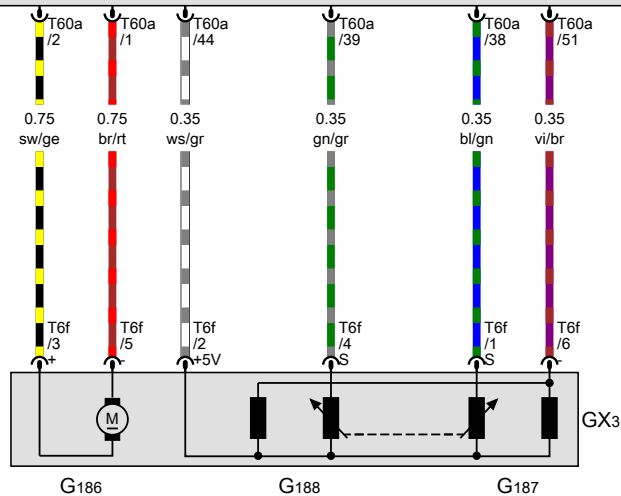
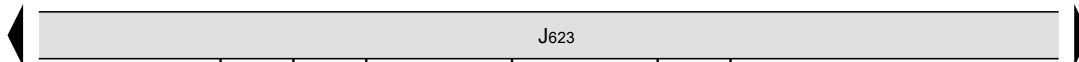
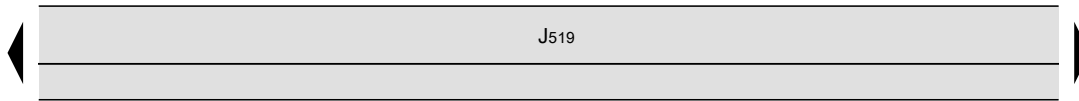
- * Only left-hand drive models
- *2 Only right-hand drive models
- *3 Only models with manual gearbox
- *4 Only models with entry and start authorisation
- *5 Only models with no entry and start authorisation

- ws = white
- sw = black
- ro = red
- rt = red
- br = brown
- gn = green
- bl = blue
- gr = grey
- li = purple
- vi = purple
- ge = yellow
- or = orange
- rs = pink

1NH0-006110216

Throttle valve module, Engine control unit

- GX3 Throttle valve module
- G186 Throttle valve drive for electric throttle
- G187 Throttle valve drive angle sender 1 for electric throttle
- G188 Throttle valve drive angle sender 2 for electric throttle
- J519 Onboard supply control unit
- J623 Engine control unit
- T6f 6-pin connector
- T60a 60-pin connector



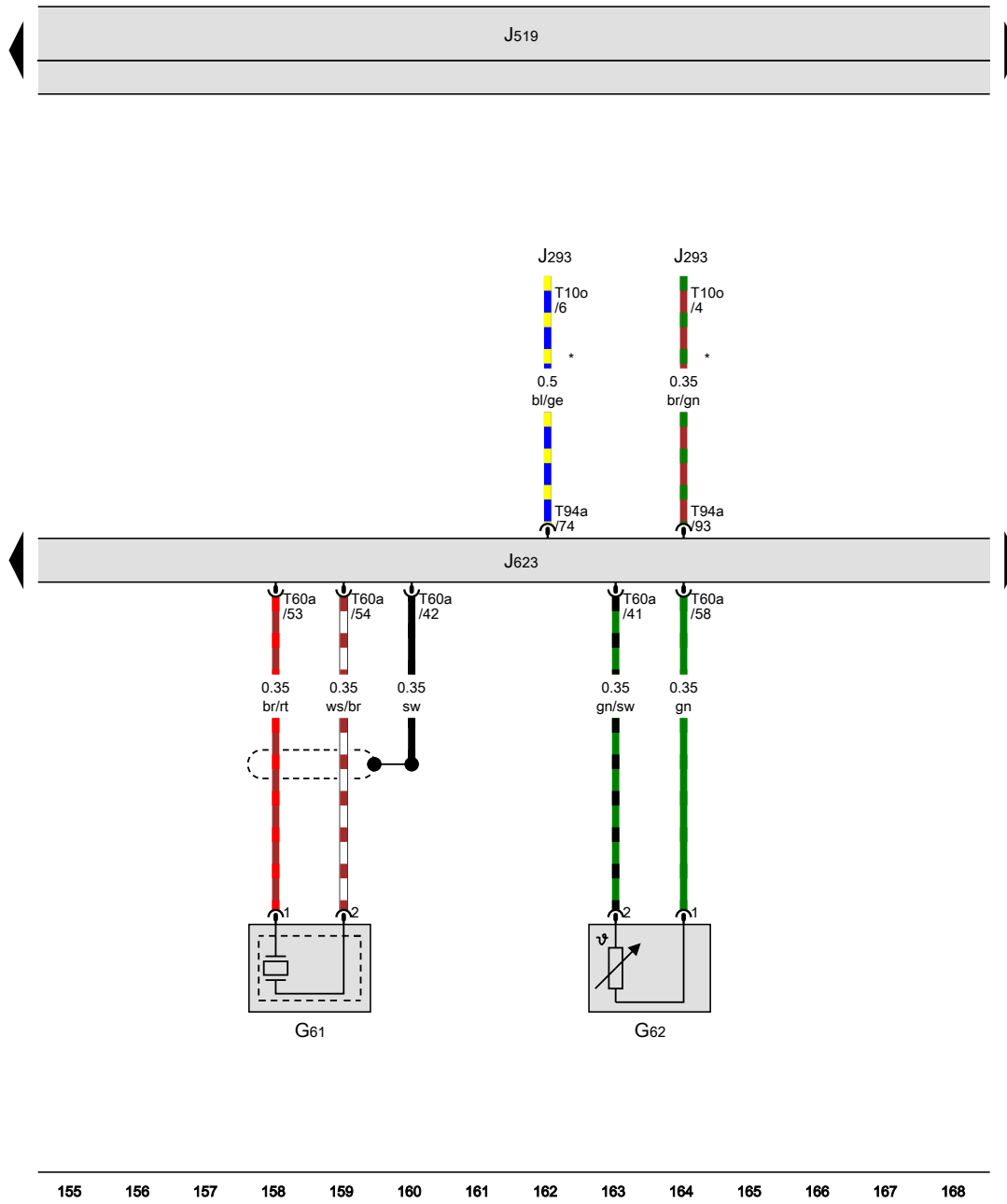
- ws = white
- sw = black
- ro = red
- rt = red
- br = brown
- gn = green
- bl = blue
- gr = grey
- li = purple
- vi = purple
- ge = yellow
- or = orange
- rs = pink

141 142 143 144 145 146 147 148 149 150 151 152 153 154

[NH0-006120216]

Knock sensor 1, Coolant temperature sender, Engine control unit

- G61 Knock sensor 1
- G62 Coolant temperature sender
- J293 Radiator fan control unit
- J519 Onboard supply control unit
- J623 Engine control unit
- T10o 10-pin connector
- T60a 60-pin connector
- T94a 94-pin connector
- * Only models with air conditioning system/ Climatronic



- ws = white
- sw = black
- ro = red
- rt = red
- br = brown
- gn = green
- bl = blue
- gr = grey
- li = purple
- vi = purple
- ge = yellow
- or = orange
- rs = pink

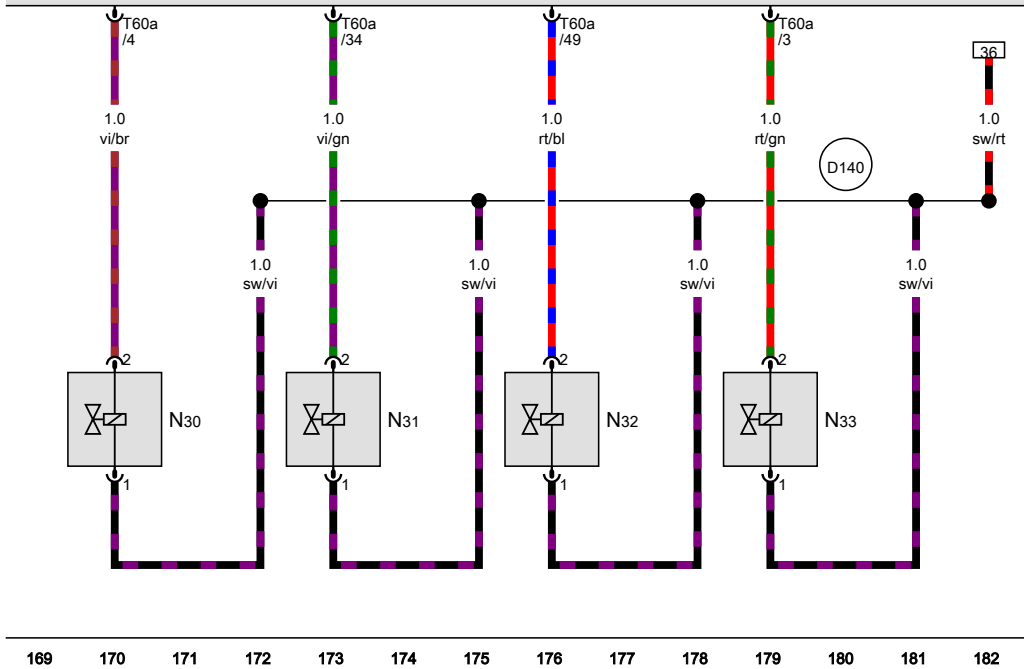
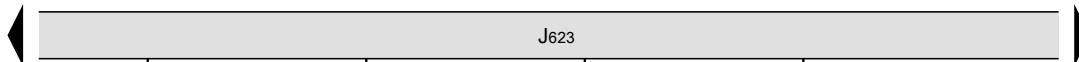
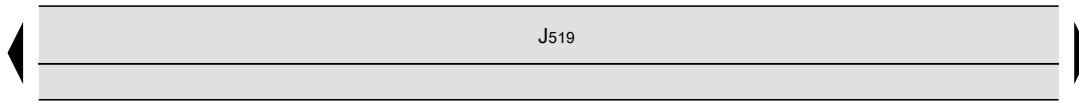
155 156 157 158 159 160 161 162 163 164 165 166 167 168

[NH0-006130216]

Engine control unit, Injector, cylinder 1, Injector, cylinder 2, Injector, cylinder 3, Injector, cylinder 4

- J519 Onboard supply control unit
- J623 Engine control unit
- N30 Injector, cylinder 1
- N31 Injector, cylinder 2
- N32 Injector, cylinder 3
- N33 Injector, cylinder 4
- T60a 60-pin connector

D140 Connection (injectors), in engine prewiring harness



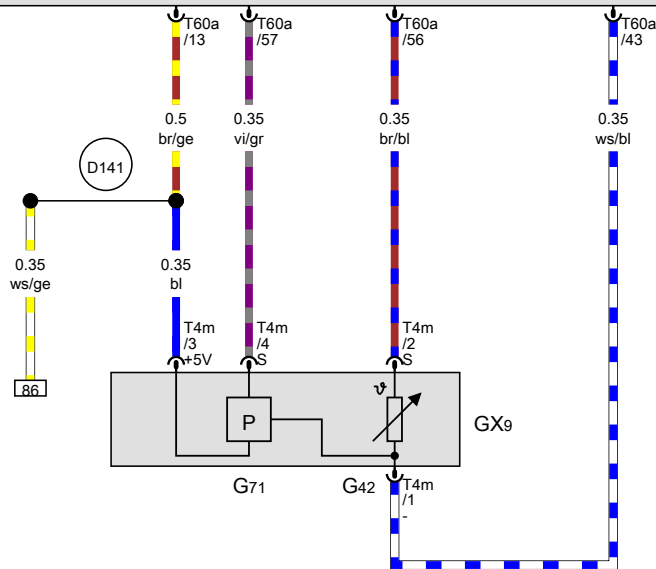
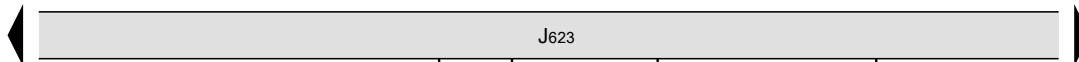
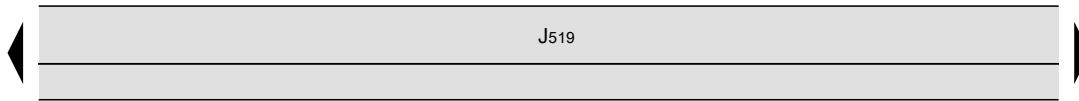
- ws = white
- sw = black
- ro = red
- rt = red
- br = brown
- gn = green
- bl = blue
- gr = grey
- li = purple
- vi = purple
- ge = yellow
- or = orange
- rs = pink

169 170 171 172 173 174 175 176 177 178 179 180 181 182

[NH0-006140216]

Intake manifold sender, Engine control unit

- GX9 Intake manifold sender
- G42 Intake air temperature sender
- G71 Intake manifold pressure sender
- J519 Onboard supply control unit
- J623 Engine control unit
- T4m 4-pin connector
- T60a 60-pin connector
- (D141) Connection (5V) in engine prewiring harness



- ws = white
- sw = black
- ro = red
- rt = red
- br = brown
- gn = green
- bl = blue
- gr = grey
- li = purple
- vi = purple
- ge = yellow
- or = orange
- rs = pink

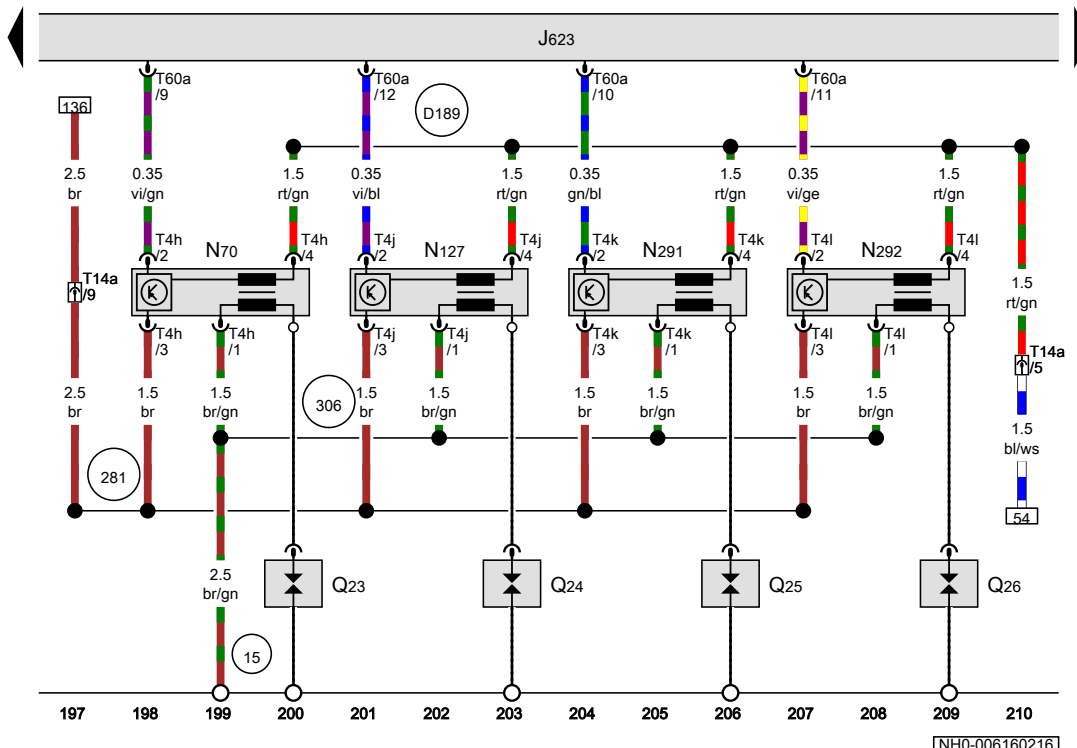
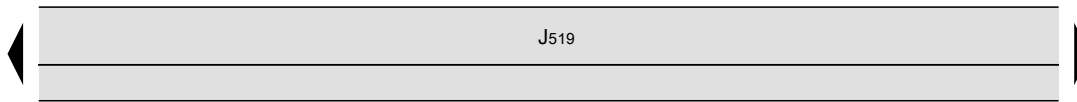
183 184 185 186 187 188 189 190 191 192 193 194 195 196

[NH0-006150216]

Engine control unit, Ignition coil 1 with output stage, Ignition coil 2 with output stage, Ignition coil 3 with output stage, Ignition coil 4 with output stage

- J519 Onboard supply control unit
- J623 Engine control unit
- N70 Ignition coil 1 with output stage
- N127 Ignition coil 2 with output stage
- N291 Ignition coil 3 with output stage
- N292 Ignition coil 4 with output stage
- Q23 Spark plug 1
- Q24 Spark plug 2
- Q25 Spark plug 3
- Q26 Spark plug 4
- T4h 4-pin connector
- T4j 4-pin connector
- T4k 4-pin connector
- T4l 4-pin connector
- T14a 14-pin connector, front left in engine compartment
- T60a 60-pin connector

- 15 Earth point, on cylinder head
- 281 Earth point 1, engine prewiring harness
- 306 Earth connection (ignition coils), in engine prewiring harness
- D189 Connection (87a) in engine prewiring harness



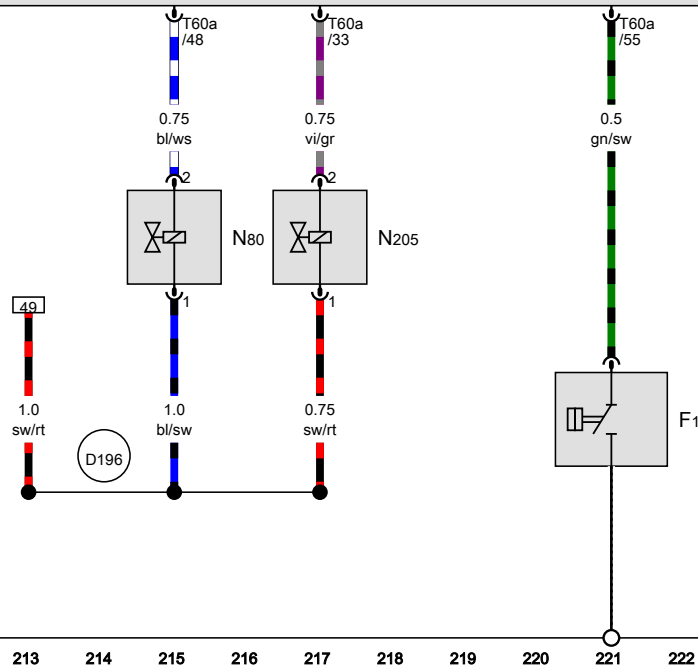
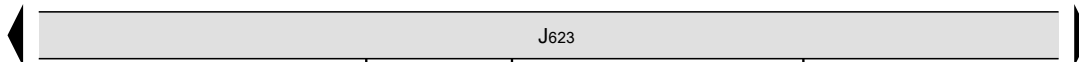
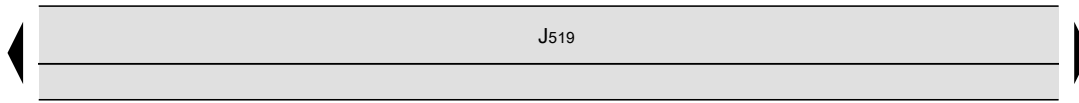
- ws = white
- sw = black
- ro = red
- rt = red
- br = brown
- gn = green
- bl = blue
- gr = grey
- li = purple
- vi = purple
- ge = yellow
- or = orange
- rs = pink

1NH0-0061602161

Oil pressure switch, Engine control unit, Activated charcoal filter solenoid valve 1, Camshaft control valve 1

- F1 Oil pressure switch
- J519 Onboard supply control unit
- J623 Engine control unit
- N80 Activated charcoal filter solenoid valve 1
- N205 Camshaft control valve 1
- T60a 60-pin connector

D196 Connection 2 (87a) in engine prewiring harness



- ws = white
- sw = black
- ro = red
- rt = red
- br = brown
- gn = green
- bl = blue
- gr = grey
- li = purple
- vi = purple
- ge = yellow
- or = orange
- rs = pink

Fuel delivery unit, Fuel pump relay, Engine control unit

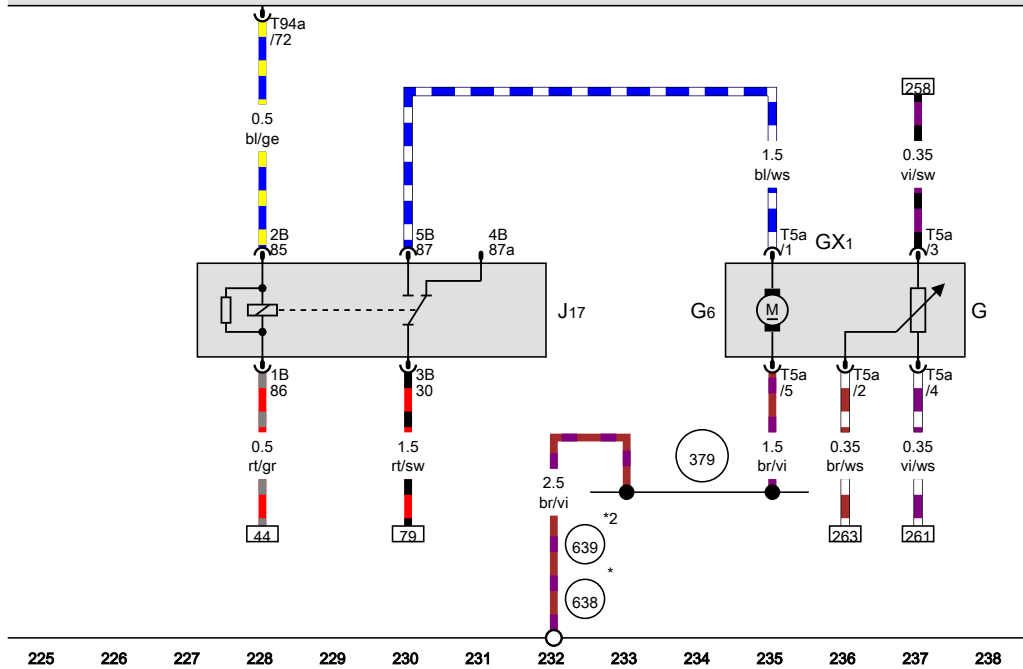
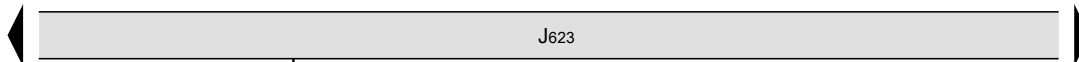
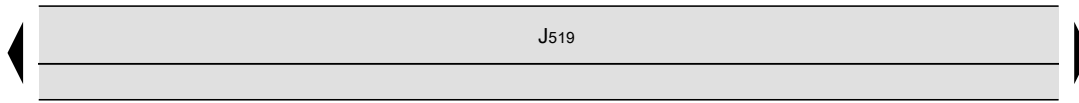
- G Fuel gauge sender
- GX1 Fuel delivery unit
- G6 Fuel system pressurisation pump
- J17 Fuel pump relay
- J519 Onboard supply control unit
- J623 Engine control unit
- T5a 5-pin connector
- T94a 94-pin connector

379 Earth connection 14, in main wiring harness

638 Earth point, on right A-pillar

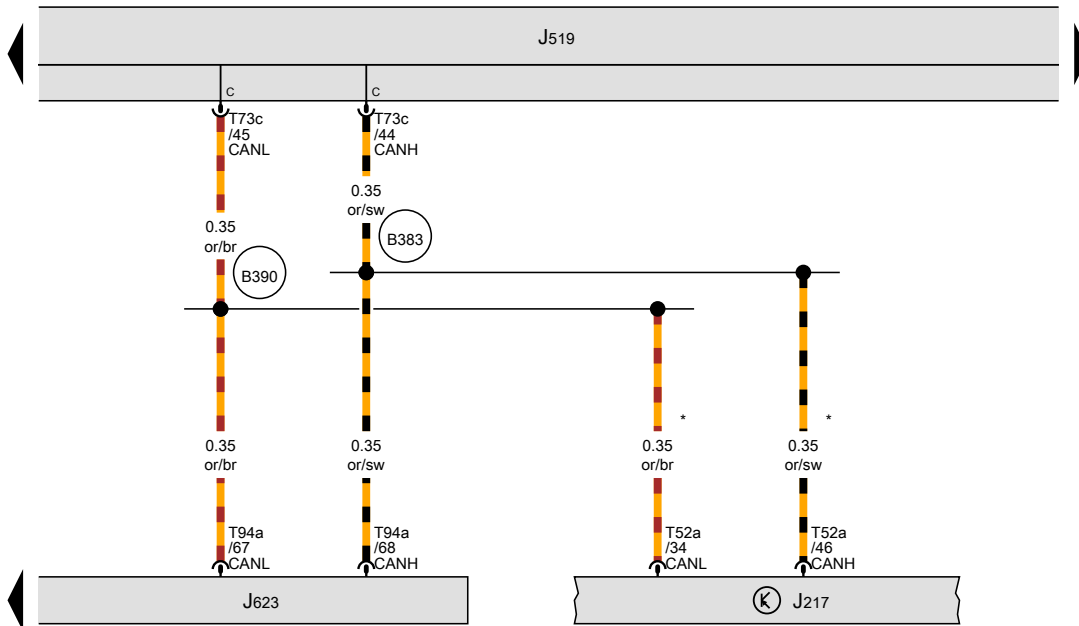
639 Earth point, left A-pillar

* Only left-hand drive models
 *2 Only right-hand drive models



- ws = white
- sw = black
- ro = red
- rt = red
- br = brown
- gn = green
- bl = blue
- gr = grey
- li = purple
- vi = purple
- ge = yellow
- or = orange
- rs = pink

[NH0-006180216]



Automatic gearbox control unit, Engine control unit

- J217 Automatic gearbox control unit
- J519 Onboard supply control unit
- J623 Engine control unit
- T52a 52-pin connector
- T73c 73-pin connector, black
- T94a 94-pin connector

B383 Connection 1 (powertrain CAN bus, high), in main wiring harness

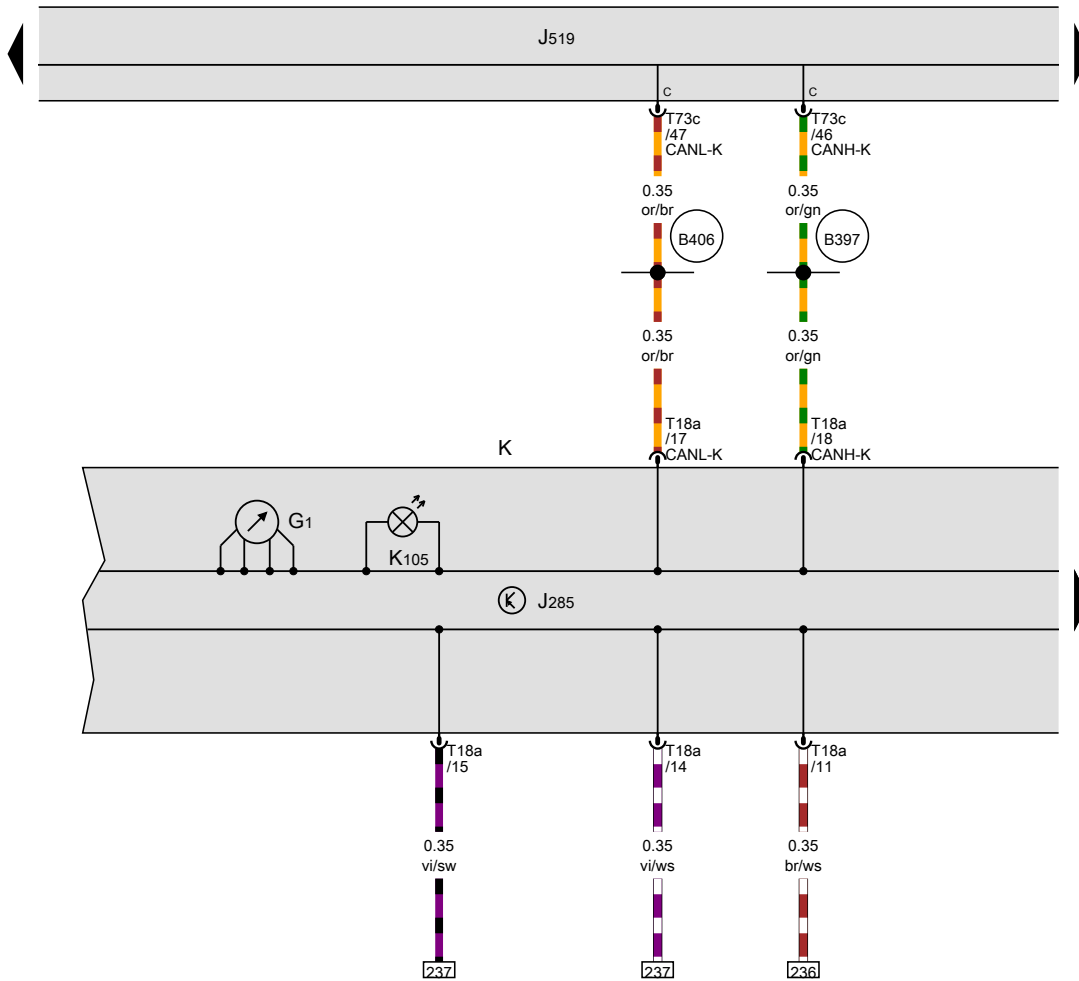
B390 Connection 1 (powertrain CAN bus, low), in main wiring harness

* Only models with automatic gearbox

- ws = white
- sw = black
- ro = red
- rt = red
- br = brown
- gn = green
- bl = blue
- gr = grey
- li = purple
- vi = purple
- ge = yellow
- or = orange
- rs = pink

Fuel gauge, Dash panel insert

- G1 Fuel gauge
- J285 Control unit in dash panel insert
- J519 Onboard supply control unit
- K Dash panel insert
- K105 Reserve fuel warning lamp
- T18a 18-pin connector
- T73c 73-pin connector, black
- B397** Connection 1 (convenience CAN bus, high), in main wiring harness
- B406** Connection 1 (convenience CAN bus, low), in main wiring harness



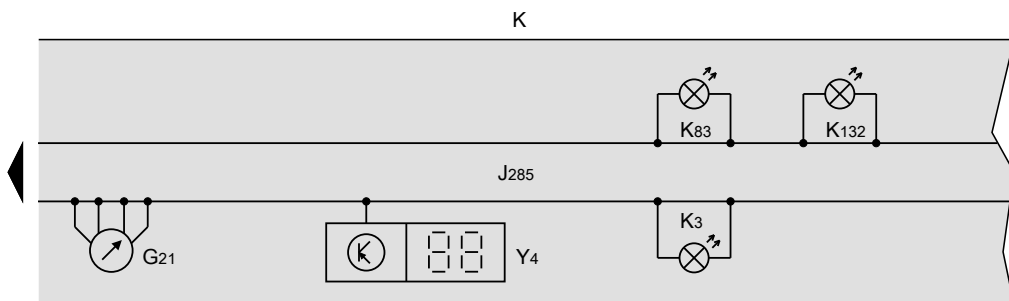
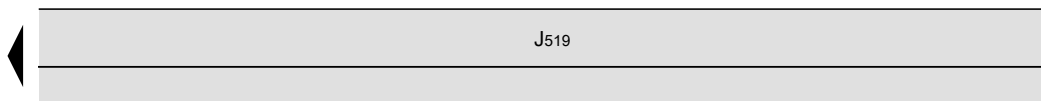
- ws = white
- sw = black
- ro = red
- rt = red
- br = brown
- gn = green
- bl = blue
- gr = grey
- li = purple
- vi = purple
- ge = yellow
- or = orange
- rs = pink

253 254 255 256 257 258 259 260 261 262 263 264 265 266

[NH0-006200216]

Speedometer, Dash panel insert, Trip counter

- G21 Speedometer
- J285 Control unit in dash panel insert
- J519 Onboard supply control unit
- K Dash panel insert
- K3 Oil pressure warning lamp
- K83 Exhaust emissions warning lamp
- K132 Electronic power control fault lamp
- Y4 Trip counter



- ws = white
- sw = black
- ro = red
- rt = red
- br = brown
- gn = green
- bl = blue
- gr = grey
- li = purple
- vi = purple
- ge = yellow
- or = orange
- rs = pink

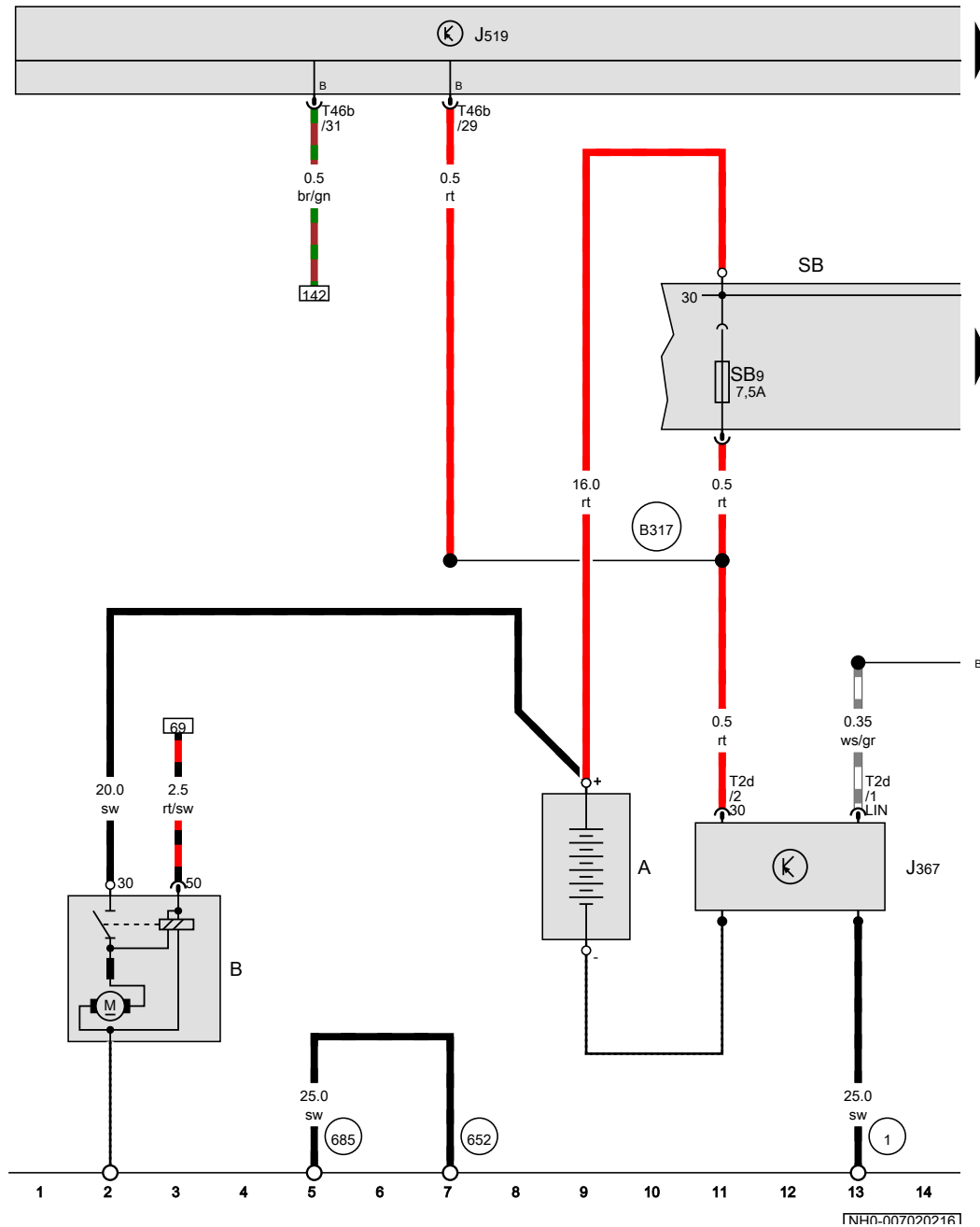
267 268 269 270 271 272 273 274 275 276 277 278 279 280

[NH0-006210216]

1.4l diesel engine , CUSB,(7L6)

From May 2015

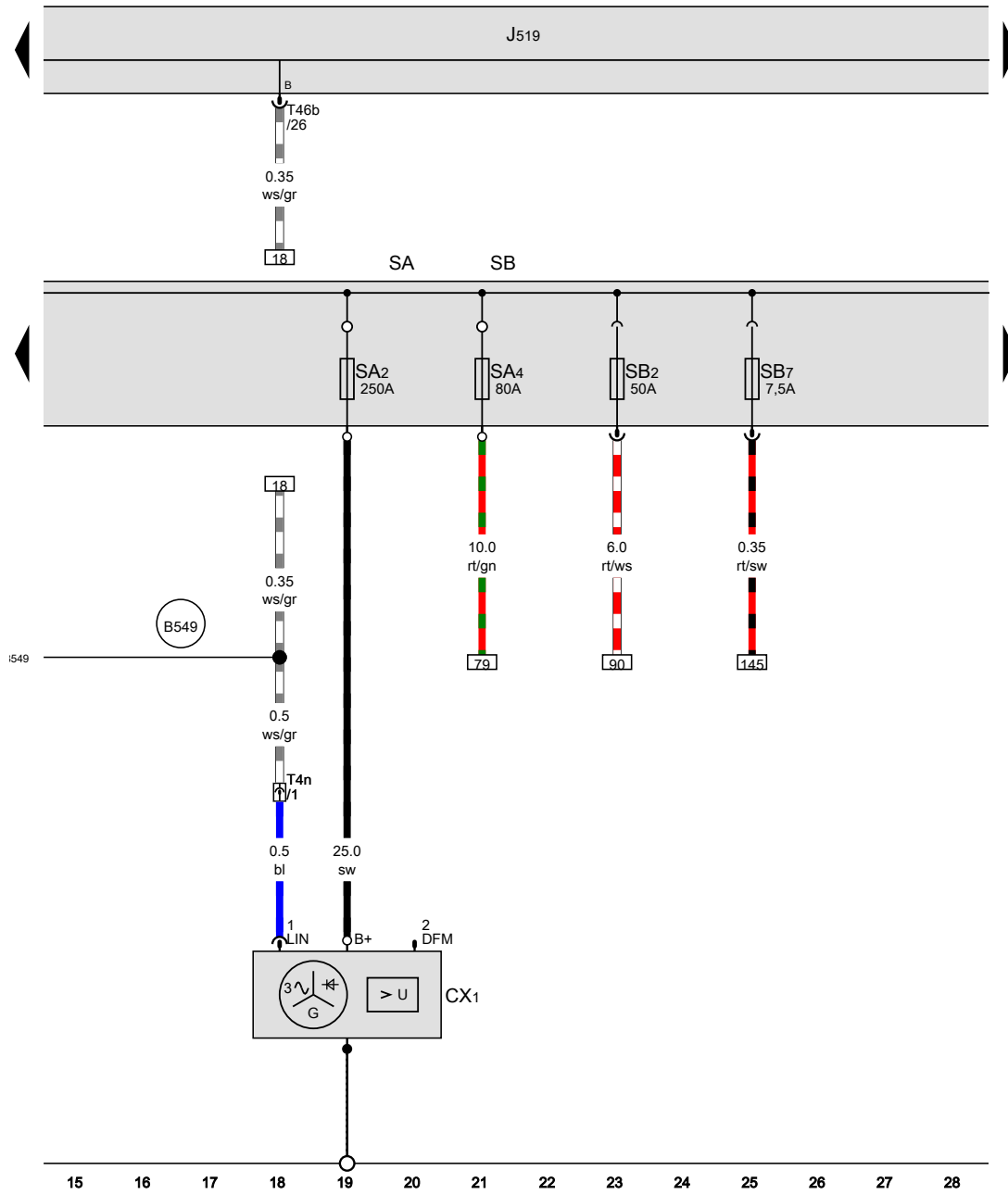
Battery, Starter, Battery monitor control unit, Fuse holder B



- A Battery
- B Starter
- J367 Battery monitor control unit
- J519 Onboard supply control unit
- SB Fuse holder B
- SB9 Fuse 9 on fuse holder B
- T2d 2-pin connector
- T46b 46-pin connector, brown
- 1 Earth strap, battery - body
- 652 Earth point, engine and gearbox earth
- 685 Earth point 1 at front of right longitudinal member
- B317 Positive connection 3 (30a) in main wiring harness
- B549 Connection 2 (LIN bus) in main wiring harness

- ws = white
- sw = black
- ro = red
- rt = red
- br = brown
- gn = green
- bl = blue
- gr = grey
- li = purple
- vi = purple
- ge = yellow
- or = orange
- rs = pink

[NH0-007020216]



Alternator with voltage regulator, Fuse holder A, Fuse holder B

- CX1 Alternator with voltage regulator
- J519 Onboard supply control unit
- SA Fuse holder A
- SA2 Fuse 2 in fuse holder A
- SB2 Fuse 2 on fuse holder B
- SA4 Fuse 4 in fuse holder A
- SB Fuse holder B
- SB7 Fuse 7 on fuse holder B
- T4n 4-pin connector, front left in engine compartment
- T46b 46-pin connector, brown

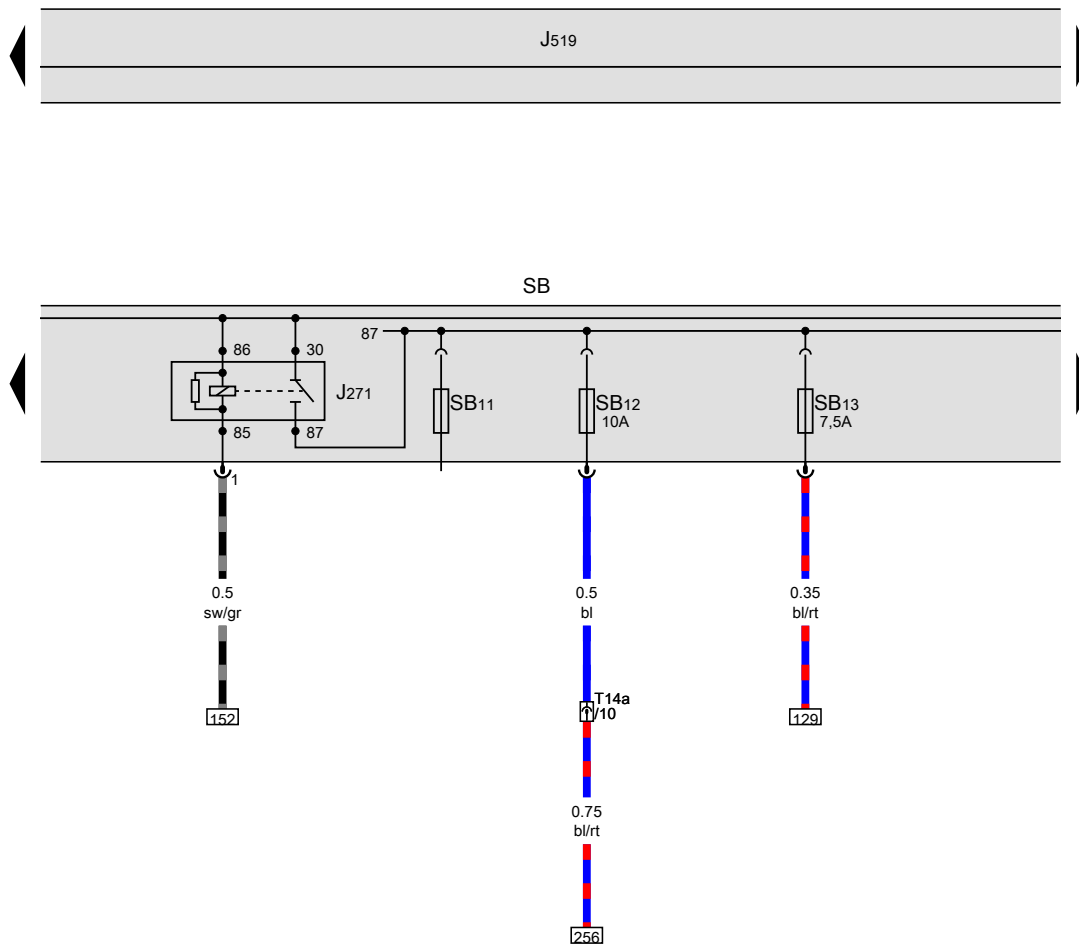
B549 Connection 2 (LIN bus) in main wiring harness

- ws = white
- sw = black
- ro = red
- rt = red
- br = brown
- gn = green
- bl = blue
- gr = grey
- li = purple
- vi = purple
- ge = yellow
- or = orange
- rs = pink

[NH0-007030216]

Main relay, Fuse holder B

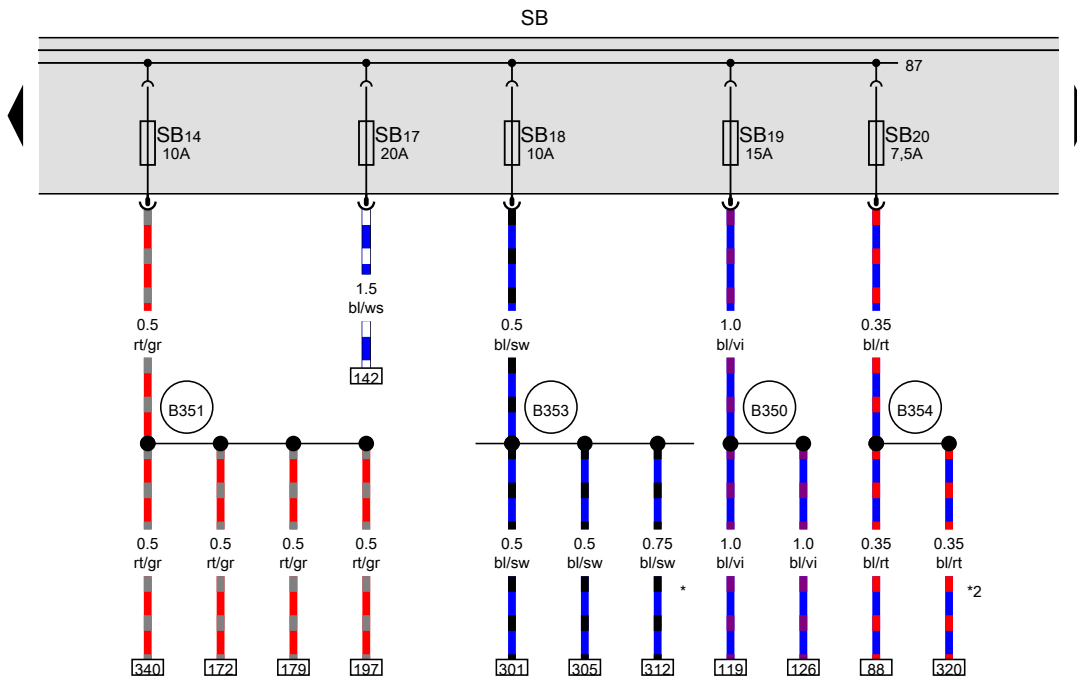
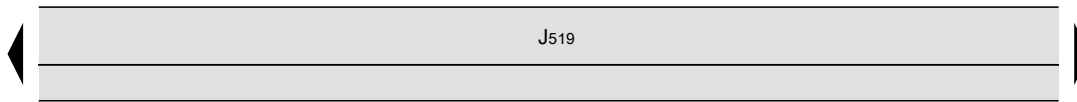
- J271 Main relay
- J519 Onboard supply control unit
- SB Fuse holder B
- SB11 Fuse 11 on fuse holder B
- SB12 Fuse 12 on fuse holder B
- SB13 Fuse 13 on fuse holder B
- T14a 14-pin connector, front left in engine compartment



- ws = white
- sw = black
- ro = red
- rt = red
- br = brown
- gn = green
- bl = blue
- gr = grey
- li = purple
- vi = purple
- ge = yellow
- or = orange
- rs = pink

29 30 31 32 33 34 35 36 37 38 39 40 41 42

[NH0-007040216]



Fuse holder B

- J519 Onboard supply control unit
- SB Fuse holder B
- SB14 Fuse 14 on fuse holder B
- SB17 Fuse 17 on fuse holder B
- SB18 Fuse 18 on fuse holder B
- SB19 Fuse 19 on fuse holder B
- SB20 Fuse 20 on fuse holder B

- B350 Positive connection 1 (87a) in main wiring harness
- B351 Positive connection 2 (87a) in main wiring harness
- B353 Positive connection 4 (87a) in main wiring harness
- B354 Positive connection 5 (87a) in main wiring harness
- * Only models with extended servicing intervals (ESI)
- *2 Special equipment

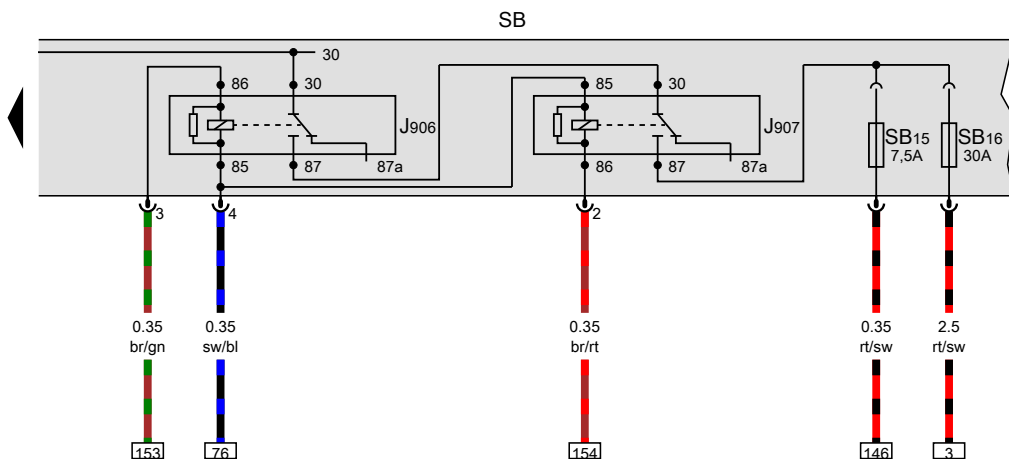
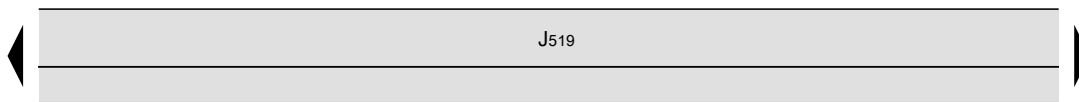
43 44 45 46 47 48 49 50 51 52 53 54 55 56

[NH0-007050216]

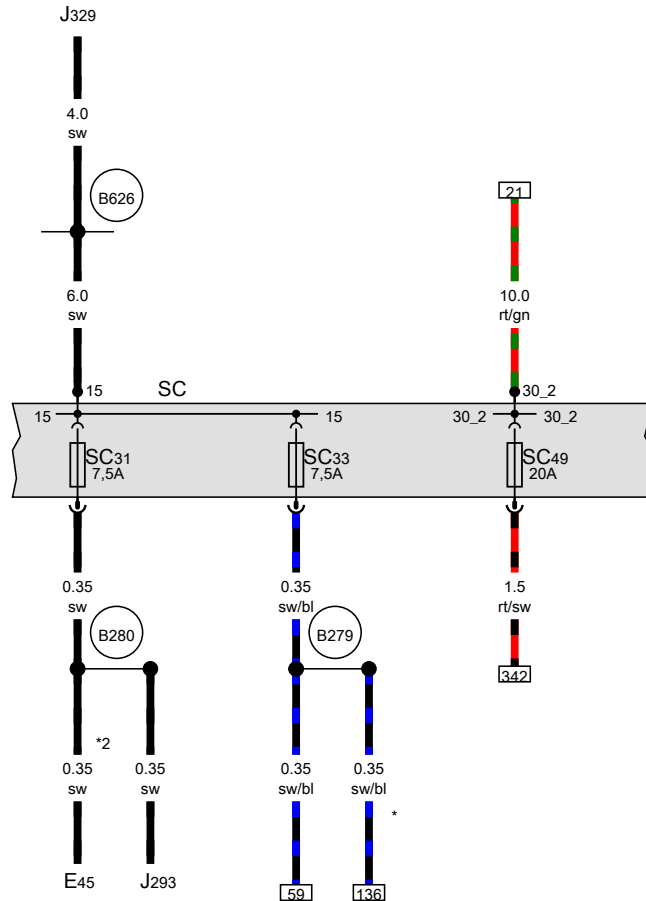
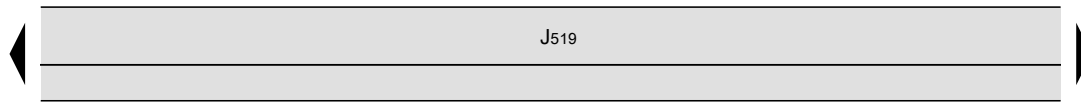
- ws = white
- sw = black
- ro = red
- rt = red
- br = brown
- gn = green
- bl = blue
- gr = grey
- li = purple
- vi = purple
- ge = yellow
- or = orange
- rs = pink

Starter relay 1, Starter relay 2, Fuse holder B

- J519 Onboard supply control unit
- J906 Starter relay 1
- J907 Starter relay 2
- SB Fuse holder B
- SB15 Fuse 15 on fuse holder B
- SB16 Fuse 16 on fuse holder B



- ws = white
- sw = black
- ro = red
- rt = red
- br = brown
- gn = green
- bl = blue
- gr = grey
- li = purple
- vi = purple
- ge = yellow
- or = orange
- rs = pink



Fuse holder C

- E45 Cruise control system switch
- J293 Radiator fan control unit
- J329 Terminal 15 voltage supply relay
- J519 Onboard supply control unit
- SC Fuse holder C
- SC31 Fuse 31 on fuse holder C
- SC33 Fuse 33 on fuse holder C
- SC49 Fuse 49 on fuse holder C

B279 Positive connection 3 (15a) in main wiring harness

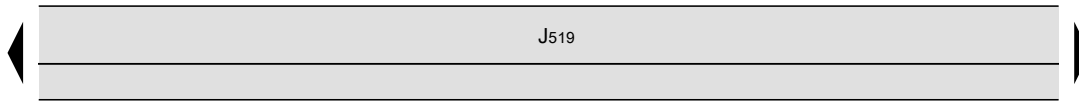
B280 Positive connection 4 (15a) in main wiring harness

B626 Positive connection 2 (15), in main wiring harness

* Only models with manual gearbox

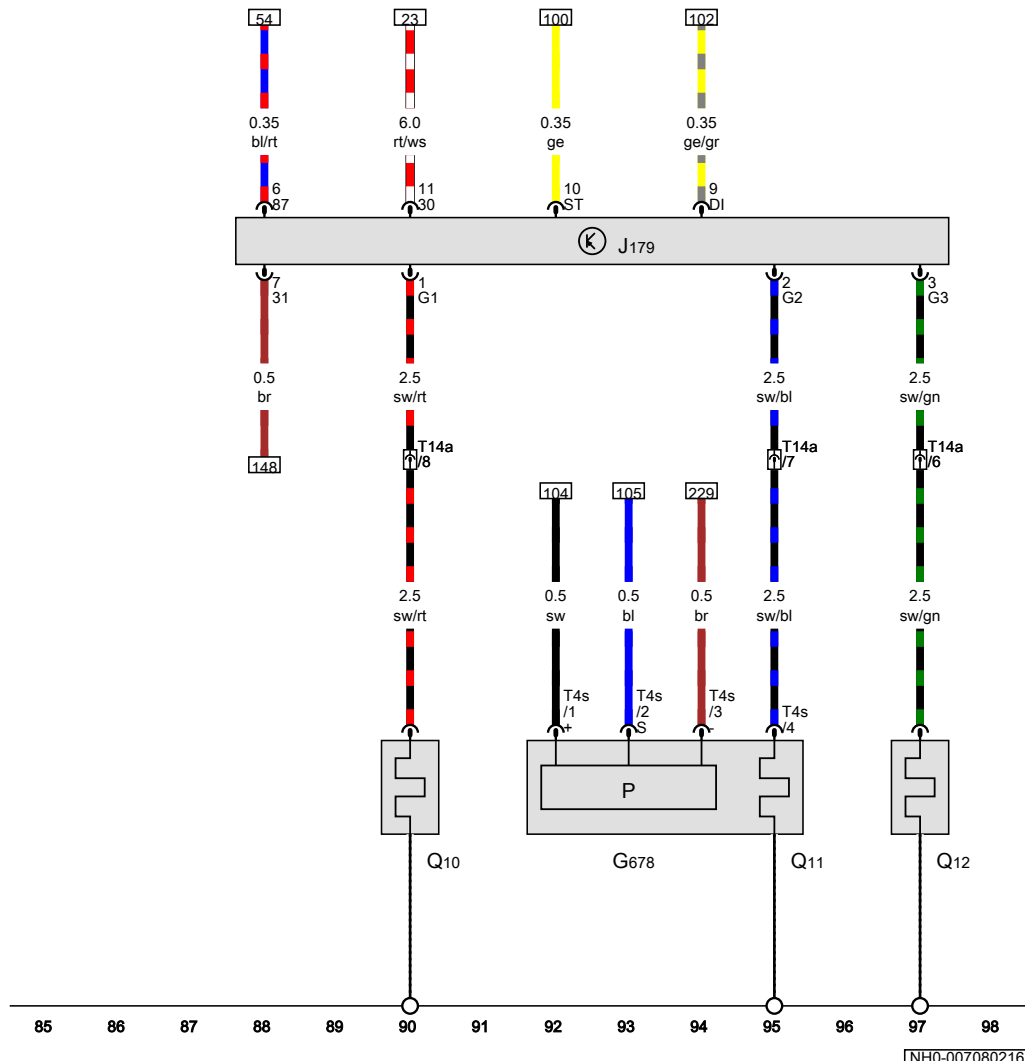
*2 Only models with cruise control system (CCS)

- ws = white
- sw = black
- ro = red
- rt = red
- br = brown
- gn = green
- bl = blue
- gr = grey
- li = purple
- vi = purple
- ge = yellow
- or = orange
- rs = pink



Cylinder 2 combustion chamber pressure sender,
Automatic glow period control unit, Glow plug 1, Glow plug 2,
Glow plug 3

- G678 Cylinder 2 combustion chamber pressure sender
- J179 Automatic glow period control unit
- J519 Onboard supply control unit
- Q10 Glow plug 1
- Q11 Glow plug 2
- Q12 Glow plug 3
- T4s 4-pin connector
- T14a 14-pin connector, front left in engine compartment

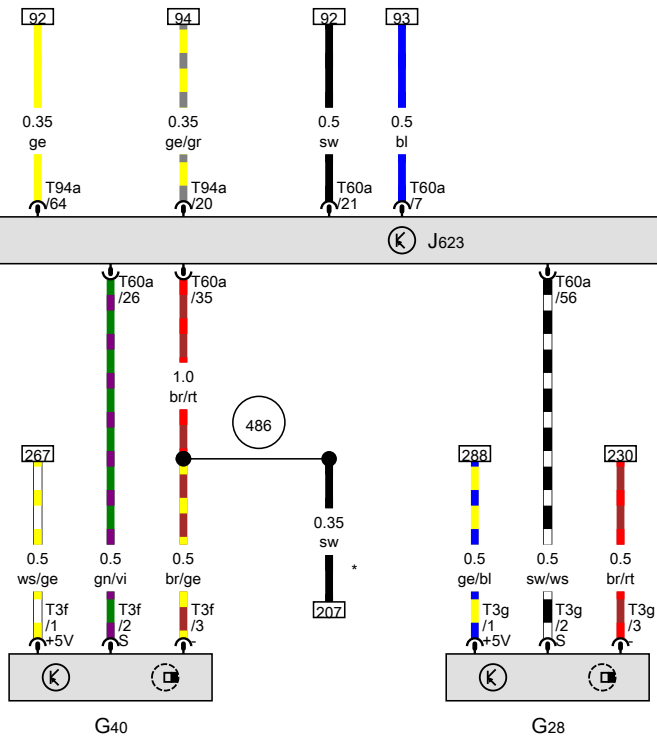
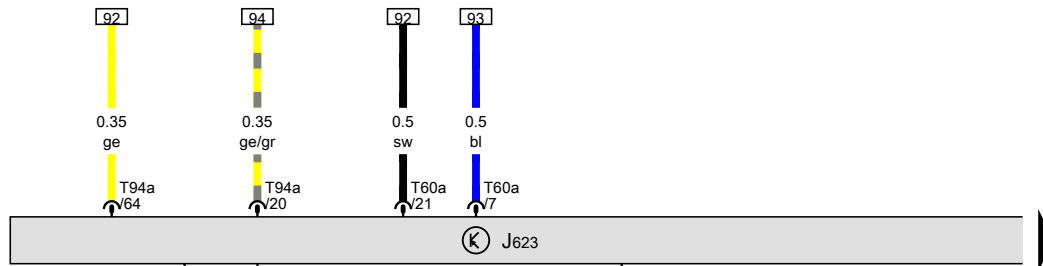
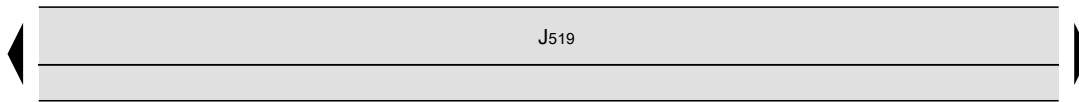


- ws = white
- sw = black
- ro = red
- rt = red
- br = brown
- gn = green
- bl = blue
- gr = grey
- li = purple
- vi = purple
- ge = yellow
- or = orange
- rs = pink

[NH0-007080216]

Engine speed sender, Hall sender, Engine control unit

- G28 Engine speed sender
- G40 Hall sender
- J519 Onboard supply control unit
- J623 Engine control unit
- T3f 3-pin connector
- T3g 3-pin connector
- T60a 60-pin connector
- T94a 94-pin connector
- 486 Earth point 4, engine prewiring harness
- * According to equipment



99 100 101 102 103 104 105 106 107 108 109 110 111 112

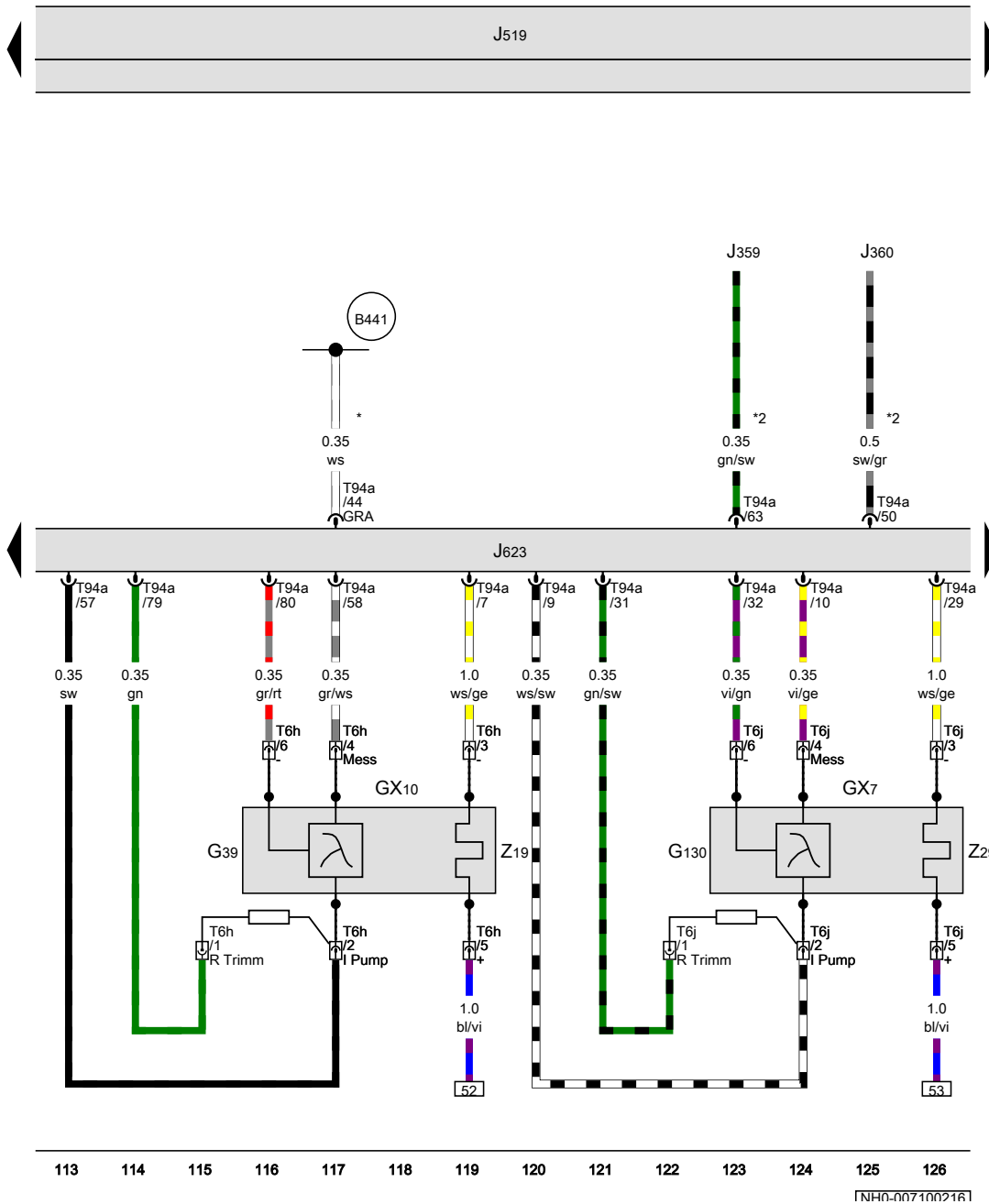
[NH0-007090216]

Lambda probe 1 after catalytic converter, Lambda probe 1 before catalytic converter, Engine control unit

- GX7 Lambda probe 1 after catalytic converter
- GX10 Lambda probe 1 before catalytic converter
- G39 Lambda probe
- G130 Lambda probe after catalytic converter
- J359 Low heat output relay
- J360 High heat output relay
- J519 Onboard supply control unit
- J623 Engine control unit
- T6h 6-pin connector, black
- T6j 6-pin connector, brown
- T94a 94-pin connector
- Z19 Lambda probe heater
- Z29 Lambda probe 1 heater after catalytic converter

B441 Connection (CCS), in main wiring harness

- * Only models with cruise control system (CCS)
- *2 Only models with auxiliary air heater



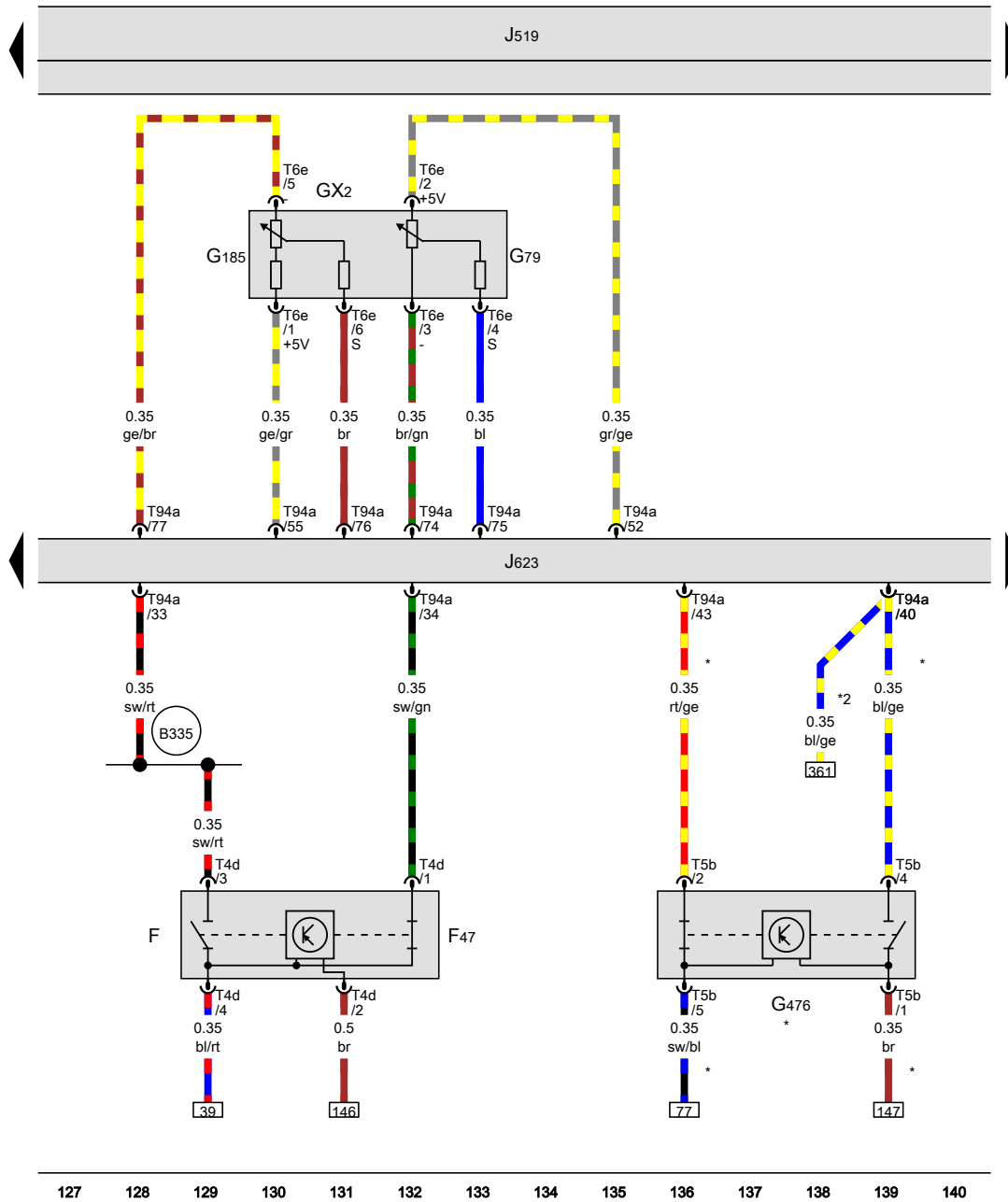
1NH0-007100216

Brake pedal switch, Accelerator pedal module, Clutch position sender, Engine control unit

- F Brake light switch
- F47 Brake pedal switch
- GX2 Accelerator pedal module
- G79 Accelerator position sender
- G185 Accelerator position sender 2
- G476 Clutch position sender
- J519 Onboard supply control unit
- J623 Engine control unit
- T4d 4-pin connector
- T5b 5-pin connector
- T6e 6-pin connector
- T94a 94-pin connector

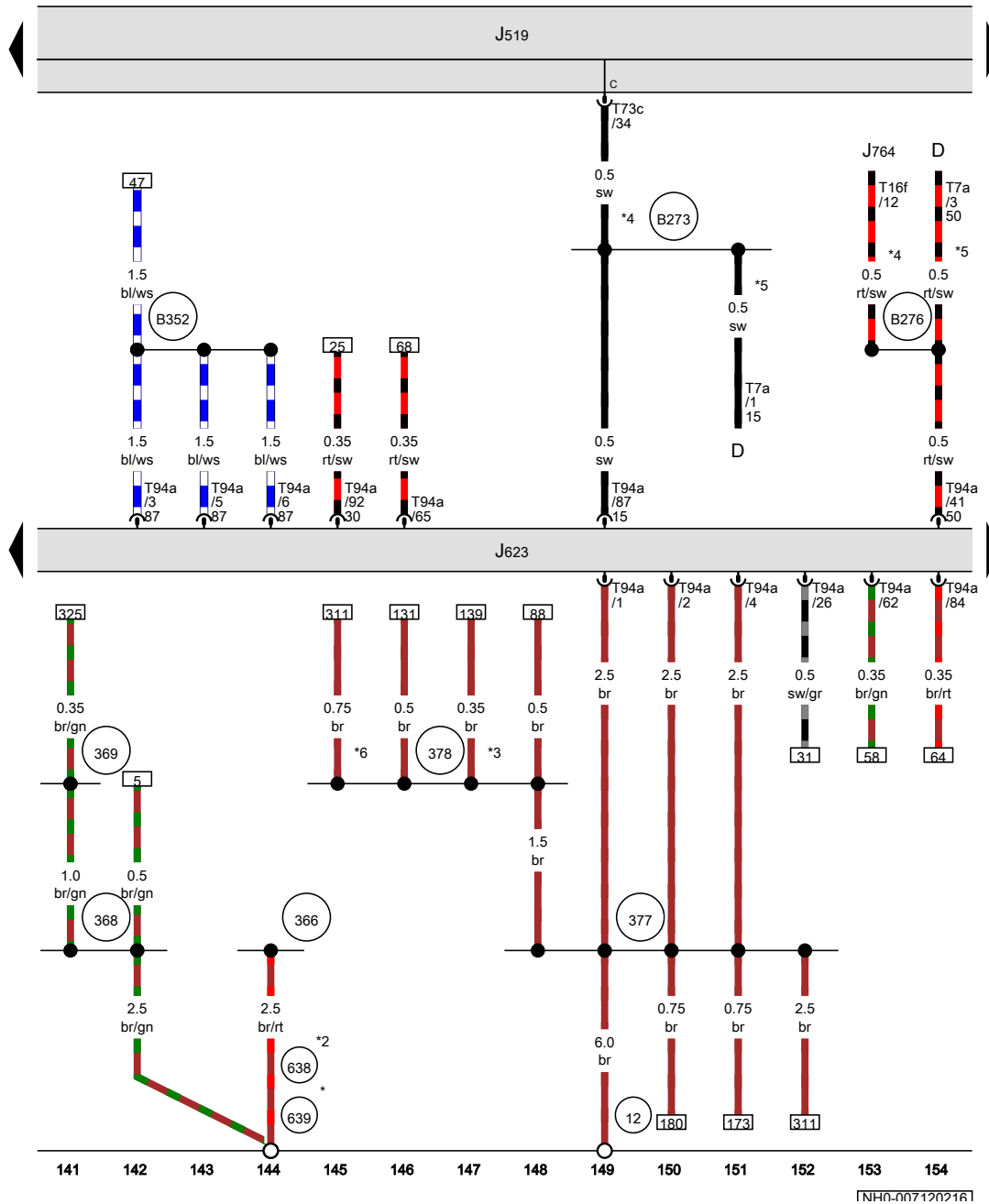
B335 Connection 1 (54), in main wiring harness

- * Only models with manual gearbox
- *2 Only models with automatic gearbox



- ws = white
- sw = black
- ro = red
- rt = red
- br = brown
- gn = green
- bl = blue
- gr = grey
- li = purple
- vi = purple
- ge = yellow
- or = orange
- rs = pink

[NH0-007110216]



Engine control unit

- D Ignition/starter switch
- J519 Onboard supply control unit
- J623 Engine control unit
- J764 Control unit for electronic steering column lock
- T7a 7-pin connector
- T16f 16-pin connector
- T73c 73-pin connector, black
- T94a 94-pin connector

- 12 Earth point, on left in engine compartment
- 366 Earth connection 1, in main wiring harness
- 368 Earth connection 3, in main wiring harness
- 369 Earth connection 4, in main wiring harness
- 377 Earth connection 12, in main wiring harness
- 378 Earth connection 13, in main wiring harness
- 638 Earth point, on right A-pillar
- 639 Earth point, left A-pillar
- B273 Positive connection (15), in main wiring harness
- B276 Positive connection (50), in main wiring harness
- B352 Positive connection 3 (87a) in main wiring harness

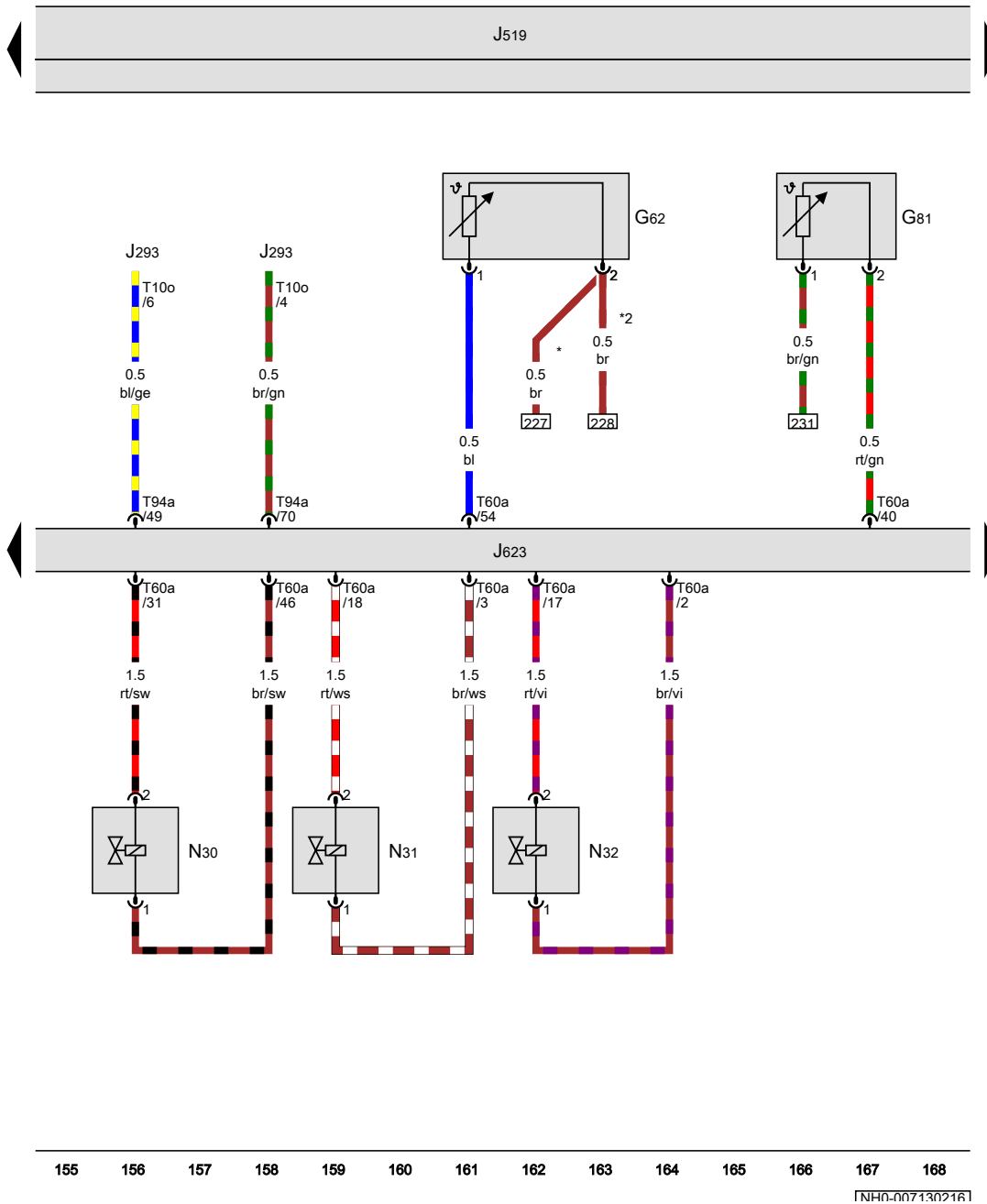
- ws = white
- sw = black
- ro = red
- rt = red
- br = brown
- gn = green
- bl = blue
- gr = grey
- li = purple
- vi = purple
- ge = yellow
- or = orange
- rs = pink

- * Only left-hand drive models
- *2 Only right-hand drive models
- *3 Only models with manual gearbox
- *4 Only models with entry and start authorisation
- *5 Only models with no entry and start authorisation
- *6 Only models with extended servicing intervals (ESI)

[NH0-007120216]

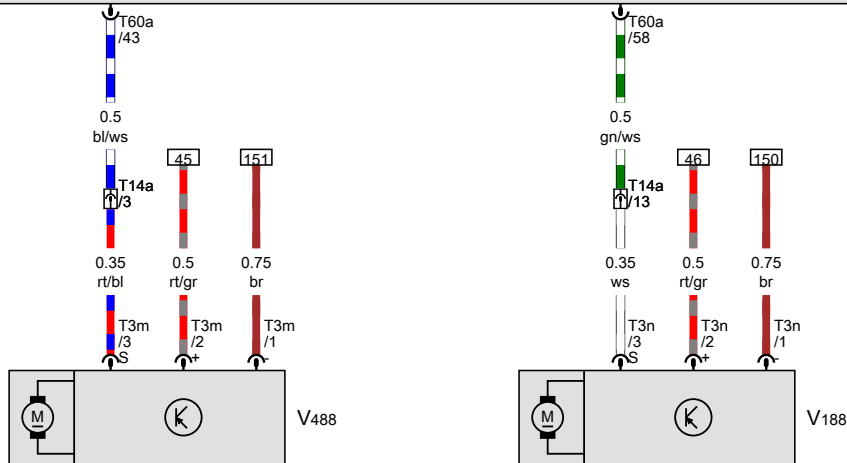
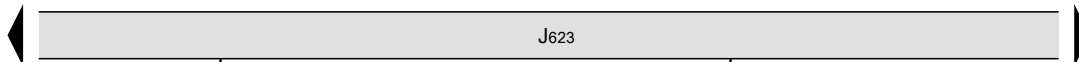
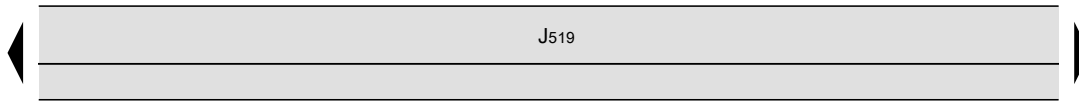
Coolant temperature sender, Fuel temperature sender, Engine control unit, Injector, cylinder 1, Injector, cylinder 2, Injector, cylinder 3

- G62 Coolant temperature sender
- G81 Fuel temperature sender
- J293 Radiator fan control unit
- J519 Onboard supply control unit
- J623 Engine control unit
- N30 Injector, cylinder 1
- N31 Injector, cylinder 2
- N32 Injector, cylinder 3
- T10o 10-pin connector
- T60a 60-pin connector
- T94a 94-pin connector
- * Only models with automatic gearbox
- *2 Only models with manual gearbox



Engine control unit, Charge air cooling pump, Auxiliary pump for heating

- J519 Onboard supply control unit
- J623 Engine control unit
- T3m 3-pin connector
- T3n 3-pin connector
- T14a 14-pin connector, front left in engine compartment
- T60a 60-pin connector
- V188 Charge air cooling pump
- V488 Auxiliary pump for heating



- ws = white
- sw = black
- ro = red
- rt = red
- br = brown
- gn = green
- bl = blue
- gr = grey
- li = purple
- vi = purple
- ge = yellow
- or = orange
- rs = pink

169 170 171 172 173 174 175 176 177 178 179 180 181 182

[NH0-007140216]

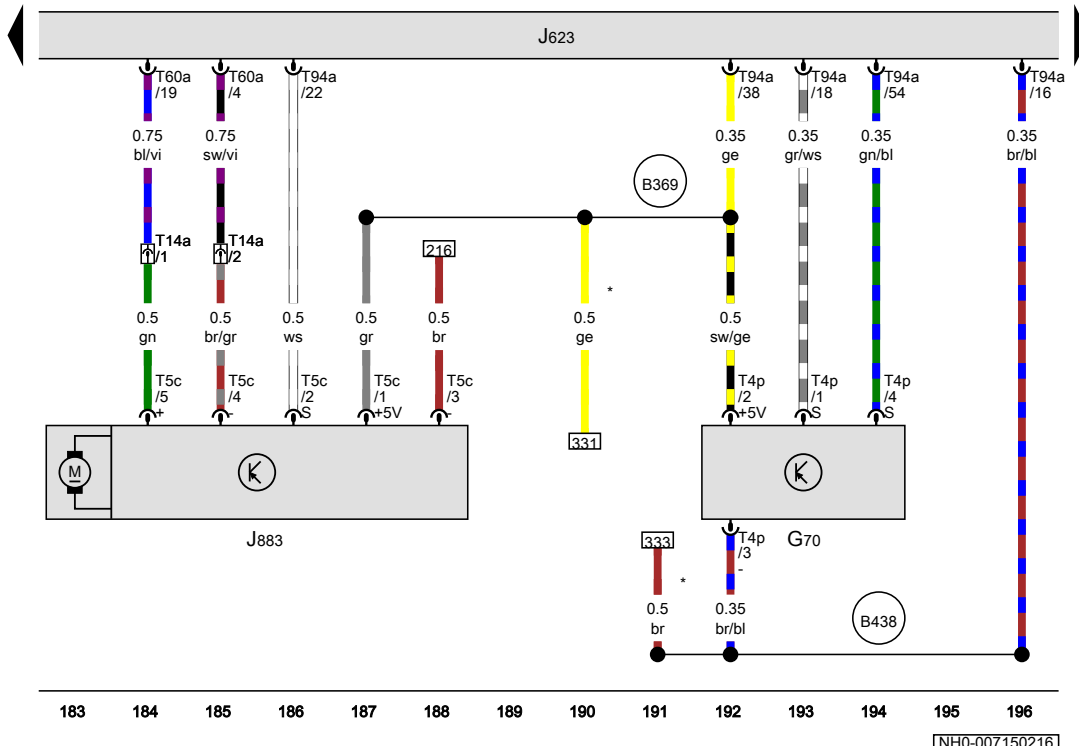
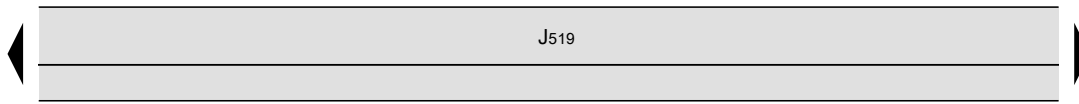
Air mass meter, Engine control unit, Exhaust flap control unit

- G70 Air mass meter
- J519 Onboard supply control unit
- J623 Engine control unit
- J883 Exhaust flap control unit
- T4p 4-pin connector
- T5c 5-pin connector
- T14a 14-pin connector, front left in engine compartment
- T60a 60-pin connector
- T94a 94-pin connector

B369 Connection 1 (5V), in main wiring harness

B438 Connection 2 (GND (earth)), in main wiring harness

* Only models with manual gearbox



- ws = white
- sw = black
- ro = red
- rt = red
- br = brown
- gn = green
- bl = blue
- gr = grey
- li = purple
- vi = purple
- ge = yellow
- or = orange
- rs = pink

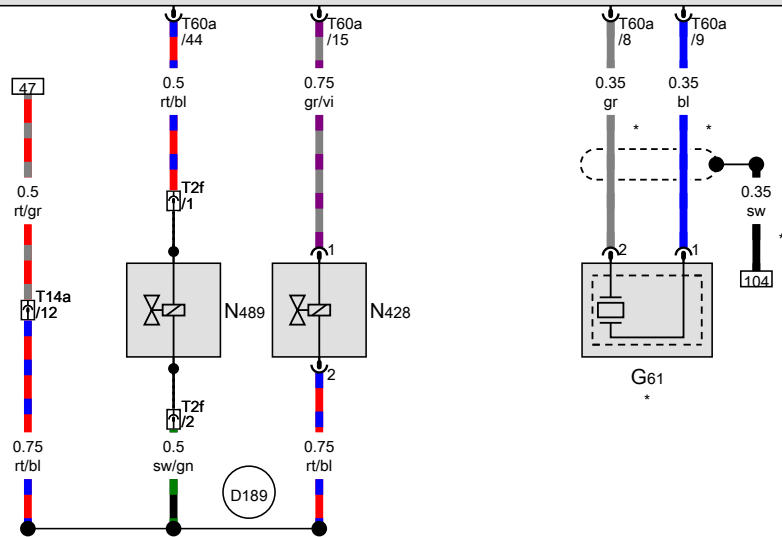
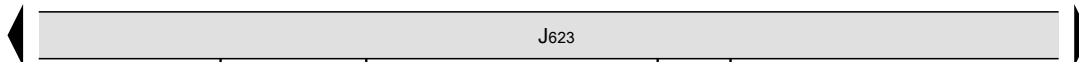
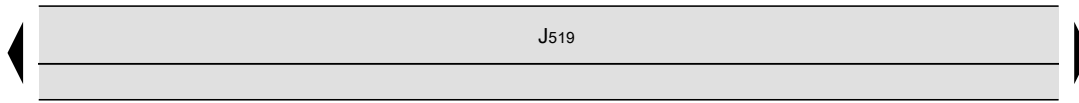
[NH0-007150216]

Knock sensor 1, Engine control unit, Valve for oil pressure control, Coolant valve for cylinder head

- G61 Knock sensor 1
- J519 Onboard supply control unit
- J623 Engine control unit
- N428 Valve for oil pressure control
- N489 Coolant valve for cylinder head
- T2f 2-pin connector
- T14a 14-pin connector, front left in engine compartment
- T60a 60-pin connector

D189 Connection (87a) in engine prewiring harness

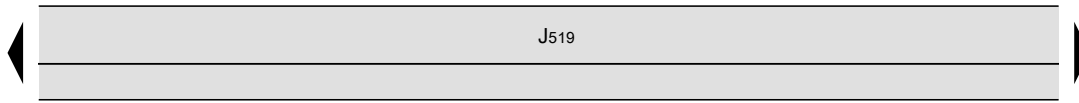
* According to equipment



- ws = white
- sw = black
- ro = red
- rt = red
- br = brown
- gn = green
- bl = blue
- gr = grey
- li = purple
- vi = purple
- ge = yellow
- or = orange
- rs = pink

197 198 199 200 201 202 203 204 205 206 207 208 209 210

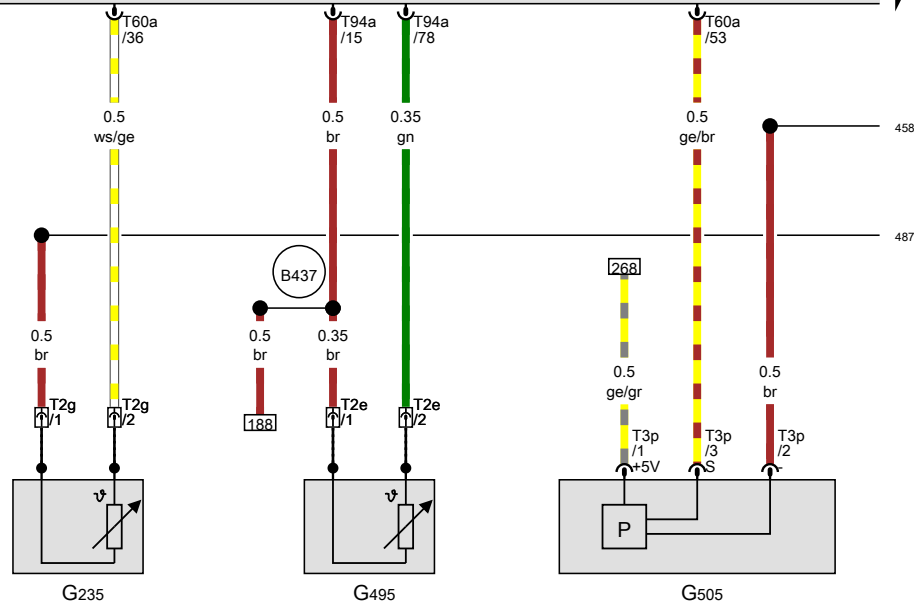
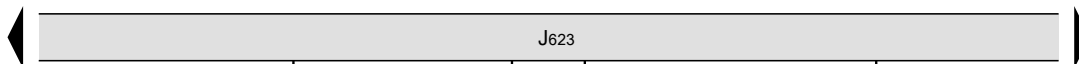
[NH0-007160216]



Exhaust gas temperature sender 1, Exhaust gas temperature sender 3, Pressure differential sender, Engine control unit

- G235 Exhaust gas temperature sender 1
- G495 Exhaust gas temperature sender 3
- G505 Pressure differential sender
- J519 Onboard supply control unit
- J623 Engine control unit
- T2e 2-pin connector, brown
- T2g 2-pin connector
- T3p 3-pin connector
- T60a 60-pin connector
- T94a 94-pin connector

- 458 Earth point 3, engine prewiring harness
- 487 Earth point 5, engine prewiring harness
- B437 Connection 1 (GND (earth)), in main wiring harness



- ws = white
- sw = black
- ro = red
- rt = red
- br = brown
- gn = green
- bl = blue
- gr = grey
- li = purple
- vi = purple
- ge = yellow
- or = orange
- rs = pink

211 212 213 214 215 216 217 218 219 220 221 222 223 224

[NH0-007170216]

**Charge air temperature sender before charge air cooler,
Charge air temperature sender after charge air cooler,
Engine control unit**

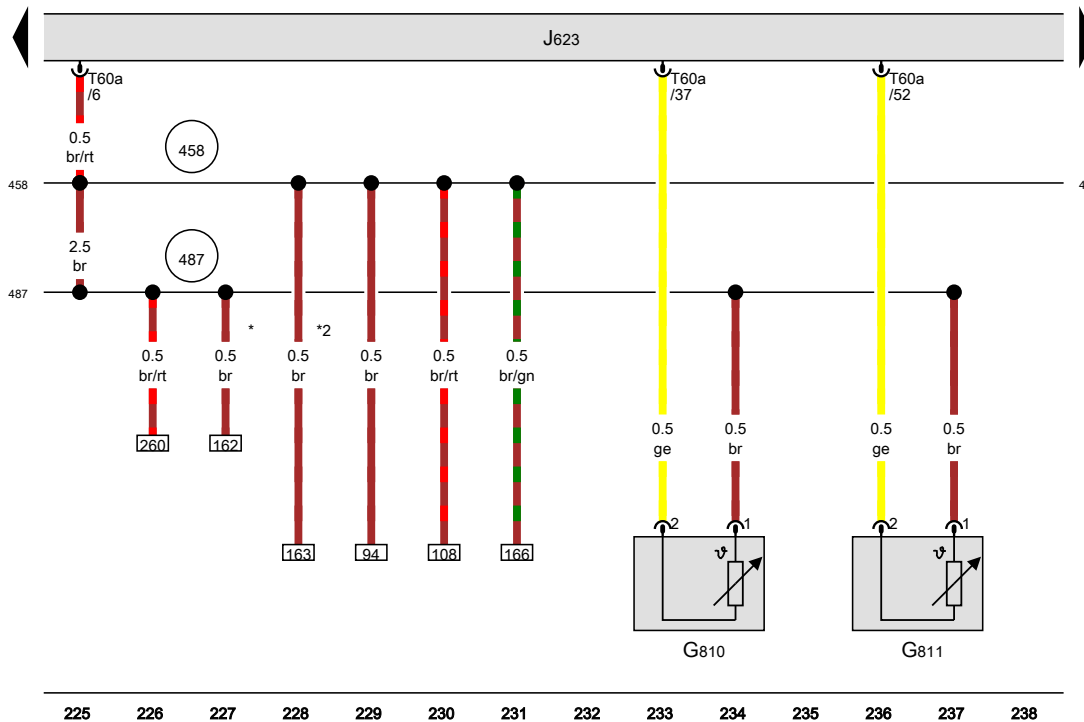
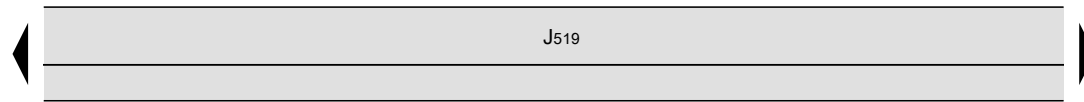
- G810 Charge air temperature sender before charge air cooler
- G811 Charge air temperature sender after charge air cooler
- J519 Onboard supply control unit
- J623 Engine control unit
- T60a 60-pin connector

458 Earth point 3, engine prewiring harness

487 Earth point 5, engine prewiring harness

* Only models with automatic gearbox

*2 Only models with manual gearbox



- ws = white
- sw = black
- ro = red
- rt = red
- br = brown
- gn = green
- bl = blue
- gr = grey
- li = purple
- vi = purple
- ge = yellow
- or = orange
- rs = pink

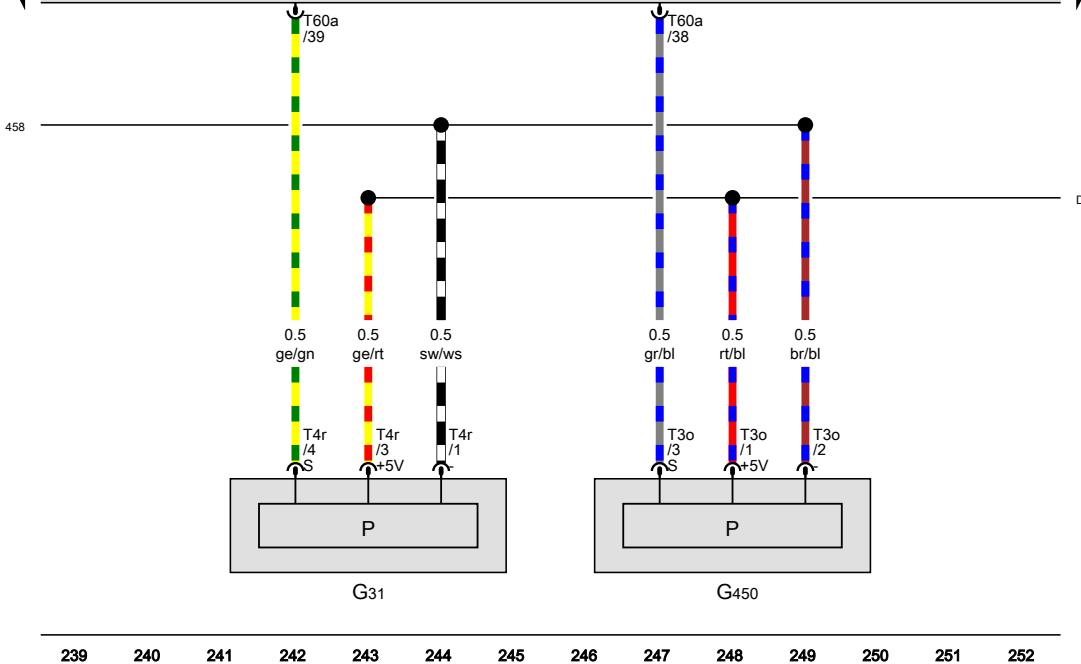
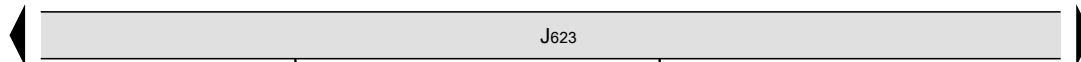
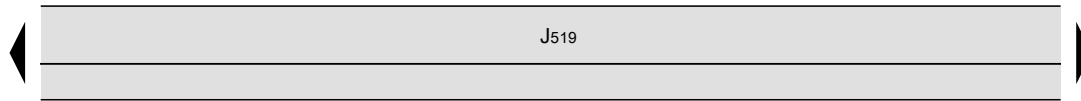
[NH0-007180216]

Charge pressure sender, Exhaust gas pressure sensor 1, Engine control unit

- G31 Charge pressure sender
- G450 Exhaust gas pressure sensor 1
- J519 Onboard supply control unit
- J623 Engine control unit
- T3o 3-pin connector
- T4r 4-pin connector
- T60a 60-pin connector

458 Earth point 3, engine prewiring harness

D174 Connection 2 (5V) in engine prewiring harness



- ws = white
- sw = black
- ro = red
- rt = red
- br = brown
- gn = green
- bl = blue
- gr = grey
- li = purple
- vi = purple
- ge = yellow
- or = orange
- rs = pink

239 240 241 242 243 244 245 246 247 248 249 250 251 252

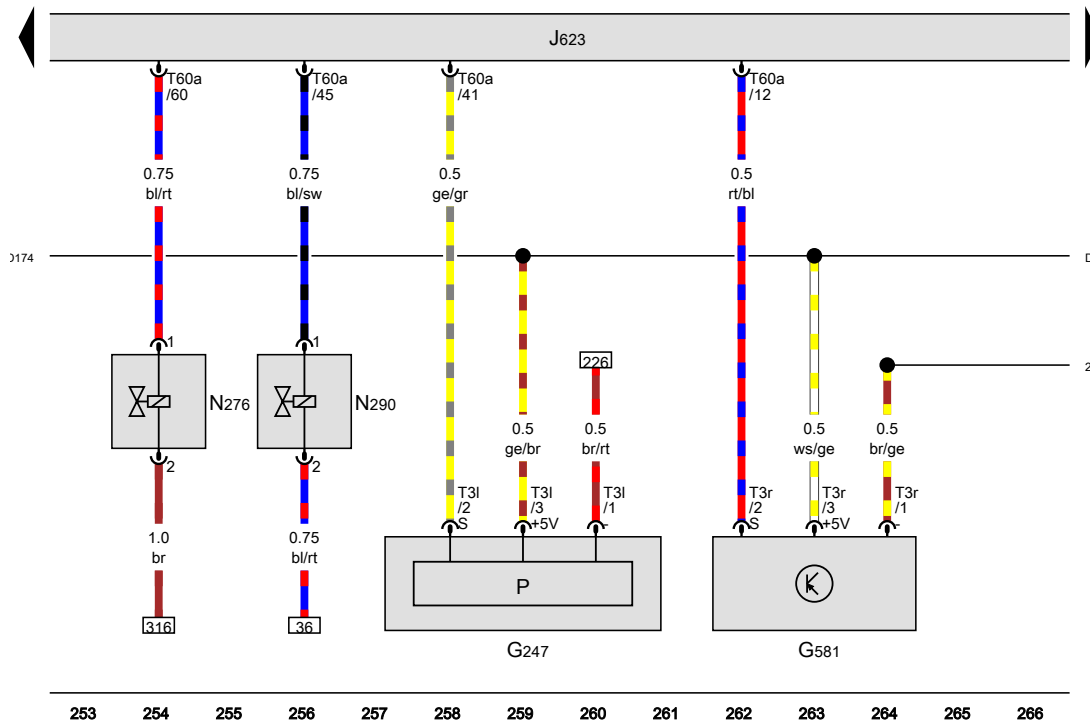
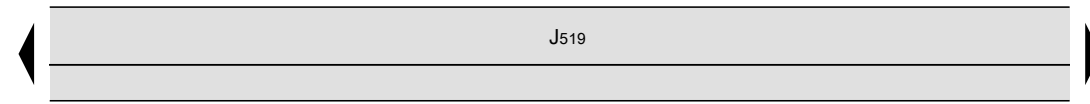
[NH0-007190216]

Fuel pressure sender, Position sender for charge pressure positioner, Engine control unit, Fuel pressure regulating valve, Fuel metering valve

- G247 Fuel pressure sender
- G581 Position sender for charge pressure positioner
- J519 Onboard supply control unit
- J623 Engine control unit
- N276 Fuel pressure regulating valve
- N290 Fuel metering valve
- T3l 3-pin connector
- T3r 3-pin connector
- T60a 60-pin connector

281 Earth point 1, engine prewiring harness

D174 Connection 2 (5V) in engine prewiring harness



- ws = white
- sw = black
- ro = red
- rt = red
- br = brown
- gn = green
- bl = blue
- gr = grey
- li = purple
- vi = purple
- ge = yellow
- or = orange
- rs = pink

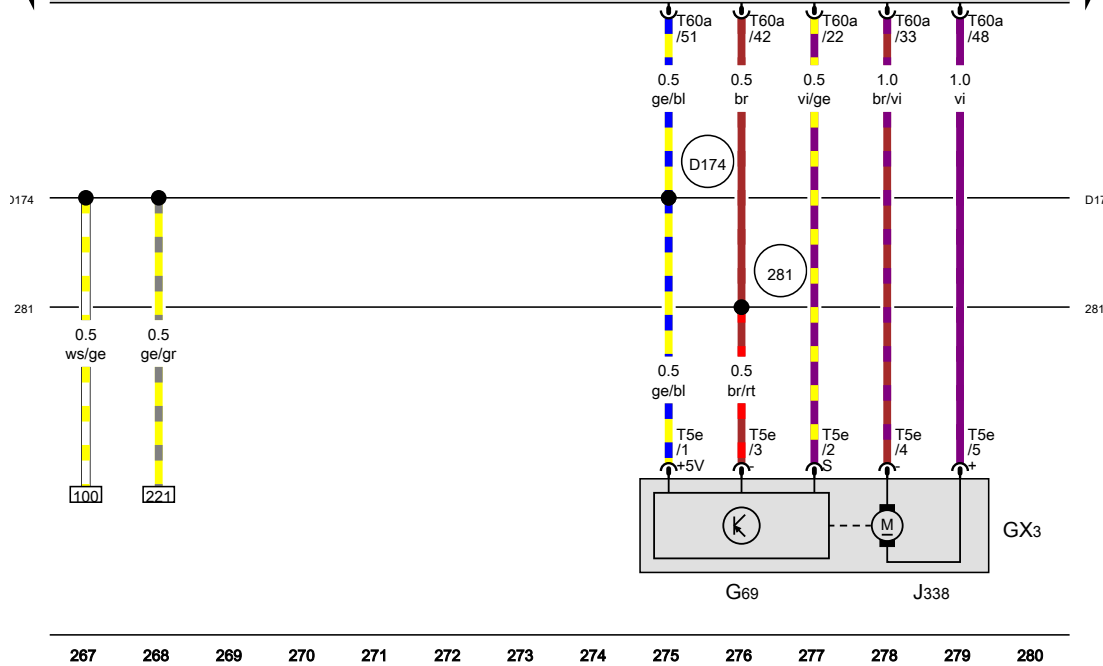
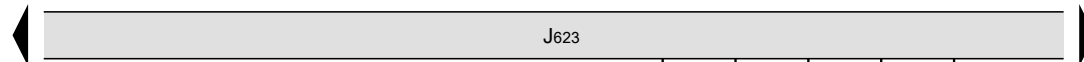
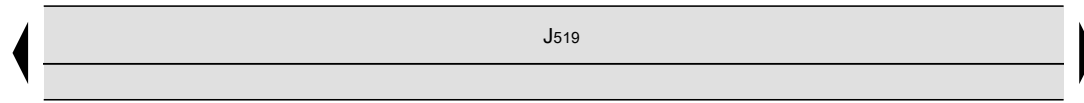
[NH0-007200216]

Throttle valve module, Engine control unit

- GX3 Throttle valve module
- G69 Throttle valve potentiometer
- J338 Throttle valve module
- J519 Onboard supply control unit
- J623 Engine control unit
- T5e 5-pin connector
- T60a 60-pin connector

281 Earth point 1, engine prewiring harness

D174 Connection 2 (5V) in engine prewiring harness



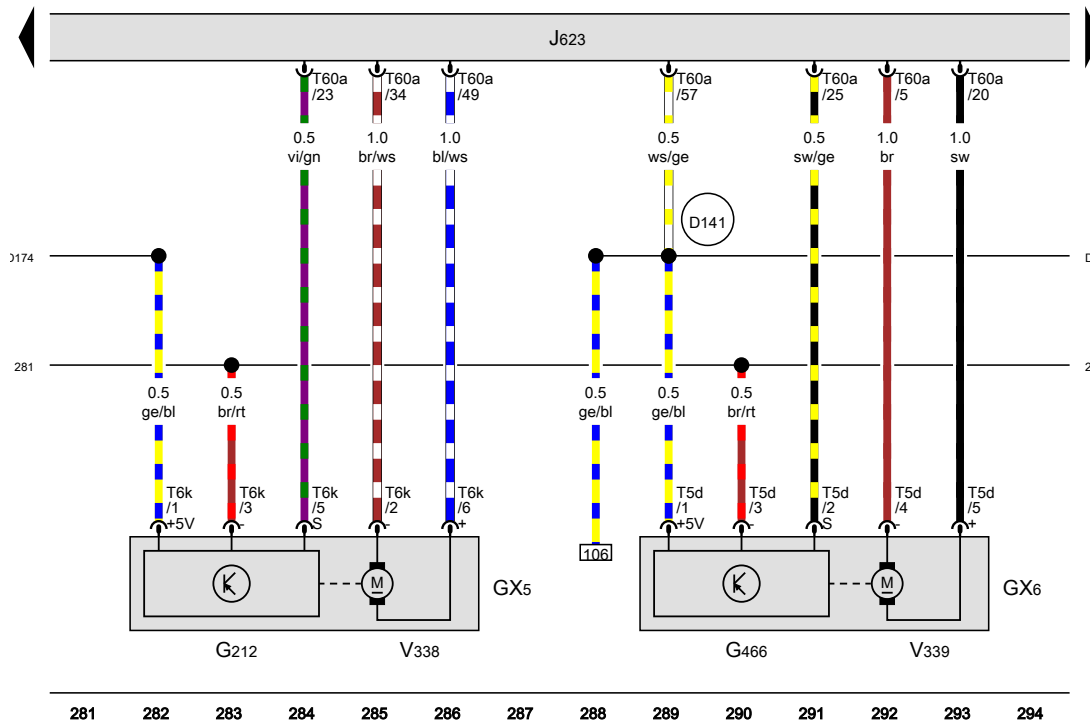
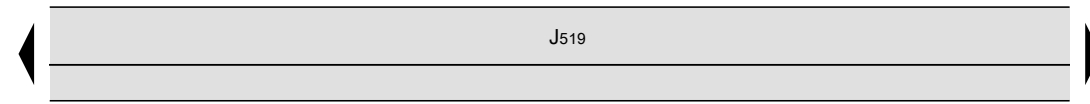
- ws = white
- sw = black
- ro = red
- rt = red
- br = brown
- gn = green
- bl = blue
- gr = grey
- li = purple
- vi = purple
- ge = yellow
- or = orange
- rs = pink

[NH0-007210216]

Exhaust gas recirculation valve 1, Exhaust gas recirculation valve 2, Engine control unit

- GX5 Exhaust gas recirculation valve 1
- GX6 Exhaust gas recirculation valve 2
- G212 Exhaust gas recirculation potentiometer
- G466 Exhaust gas recirculation potentiometer 2
- J519 Onboard supply control unit
- J623 Engine control unit
- T5d 5-pin connector
- T6k 6-pin connector
- T60a 60-pin connector
- V338 Exhaust gas recirculation control motor
- V339 Exhaust gas recirculation control motor 2

- 281 Earth point 1, engine prewiring harness
- D141 Connection (5V) in engine prewiring harness
- D174 Connection 2 (5V) in engine prewiring harness



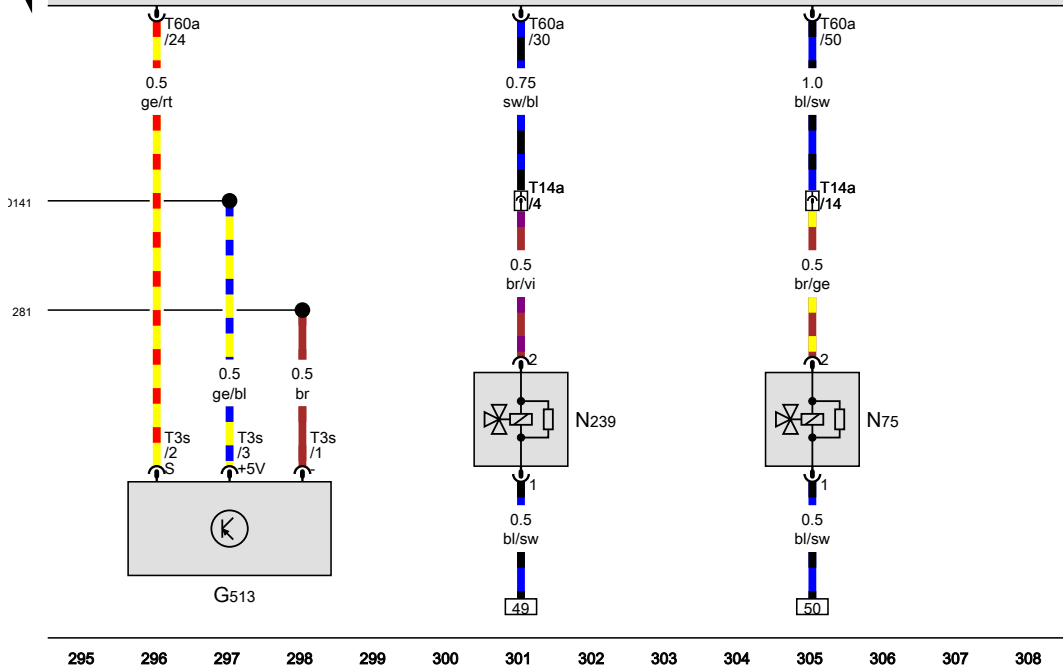
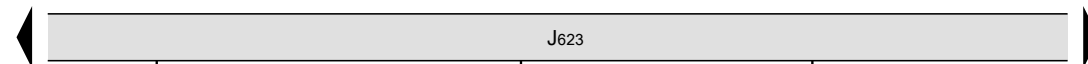
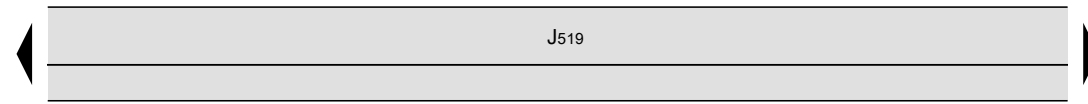
[NH0-007220216]

Variable intake manifold position sender, Engine control unit, Charge pressure control solenoid valve, Variable intake manifold flap changeover valve

- G513 Variable intake manifold position sender
- J519 Onboard supply control unit
- J623 Engine control unit
- N75 Charge pressure control solenoid valve
- N239 Variable intake manifold flap changeover valve
- T3s 3-pin connector
- T14a 14-pin connector, front left in engine compartment
- T60a 60-pin connector

281 Earth point 1, engine prewiring harness

D141 Connection (5V) in engine prewiring harness

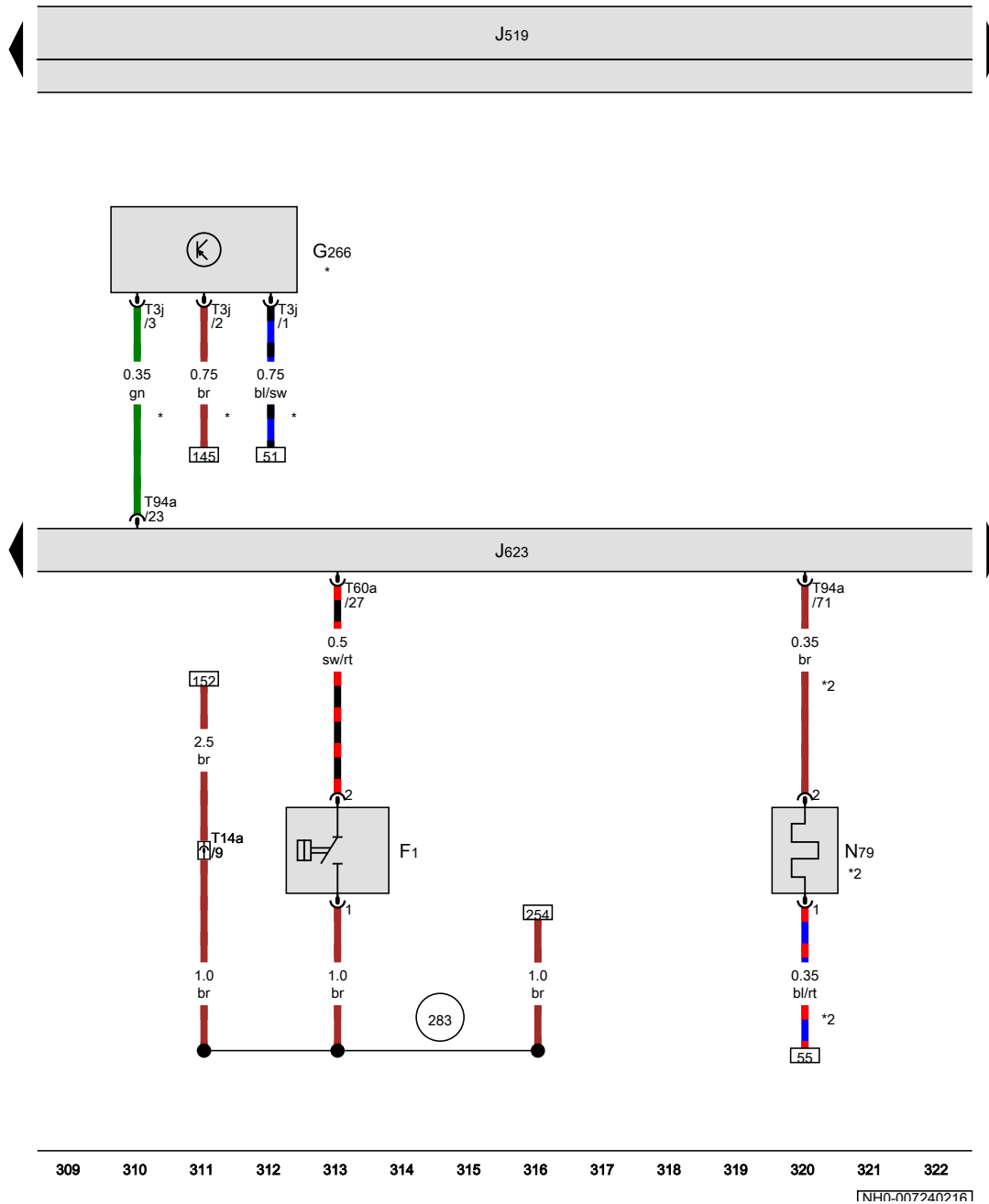


- ws = white
- sw = black
- ro = red
- rt = red
- br = brown
- gn = green
- bl = blue
- gr = grey
- li = purple
- vi = purple
- ge = yellow
- or = orange
- rs = pink

[NH0-007230216]

Oil pressure switch, Oil level and oil temperature sender, Engine control unit, Heater element for crankcase breather

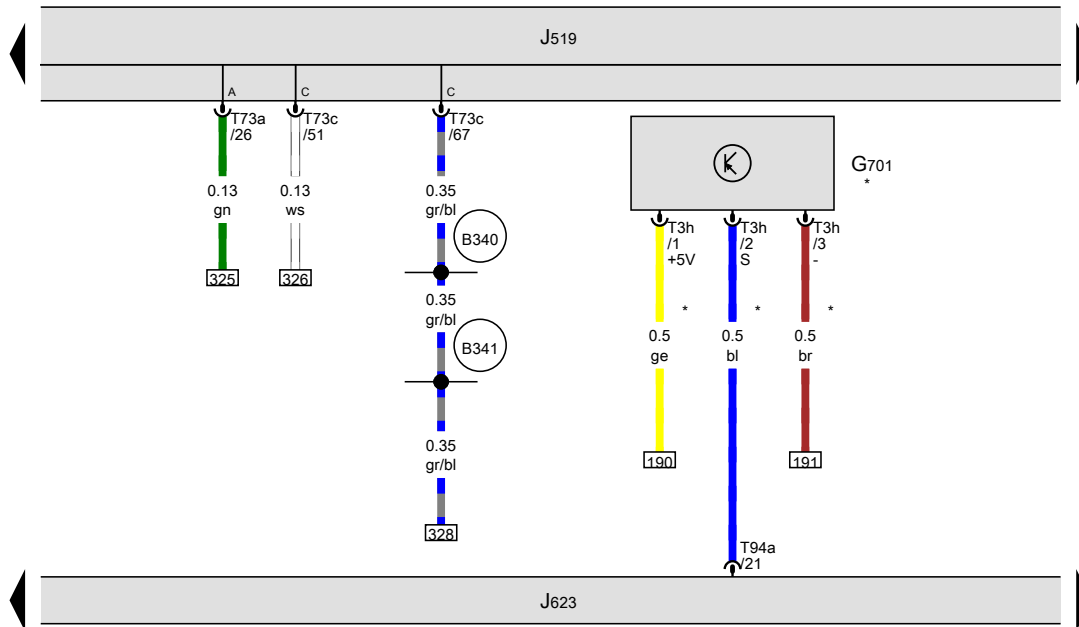
- F1 Oil pressure switch
- G266 Oil level and oil temperature sender
- J519 Onboard supply control unit
- J623 Engine control unit
- N79 Heater element for crankcase breather
- T3j 3-pin connector
- T14a 14-pin connector, front left in engine compartment
- T60a 60-pin connector
- T94a 94-pin connector
- 283 Earth point 2, engine prewiring harness
- * Only models with extended servicing intervals (ESI)
- *2 Special equipment



- ws = white
- sw = black
- ro = red
- rt = red
- br = brown
- gn = green
- bl = blue
- gr = grey
- li = purple
- vi = purple
- ge = yellow
- or = orange
- rs = pink

[NH0-007240216]

Centre switch module in dash panel, Start/Stop operation button, Gearbox neutral position sender, Engine control unit

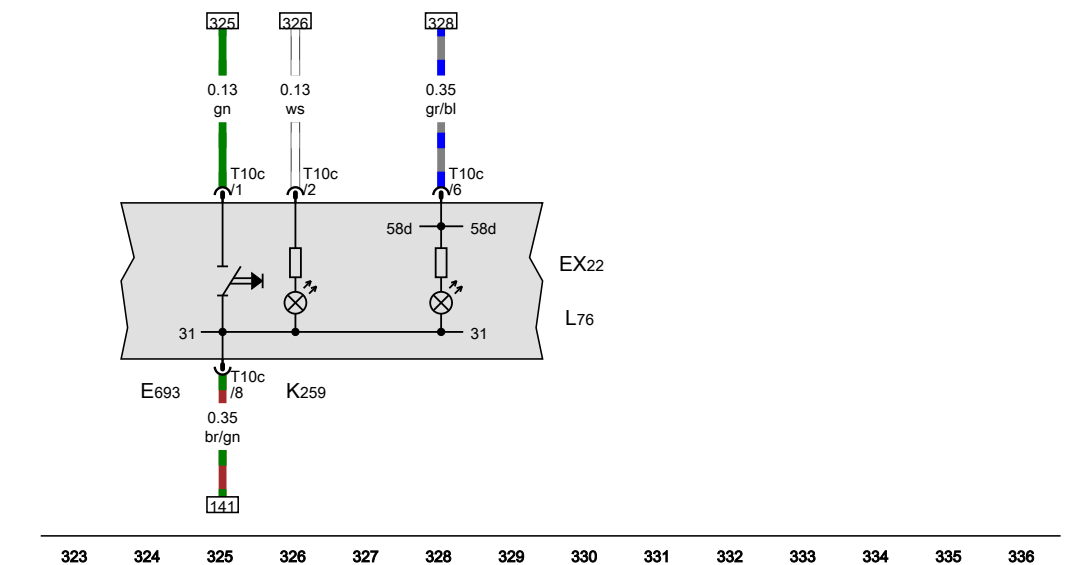


- EX22 Centre switch module in dash panel
- E693 Start/Stop operation button
- G701 Gearbox neutral position sender
- J519 Onboard supply control unit
- J623 Engine control unit
- K259 Start/Stop operation warning lamp
- L76 Button illumination bulb
- T3h 3-pin connector
- T10c 10-pin connector, black
- T73a 73-pin connector, black
- T73c 73-pin connector, black
- T94a 94-pin connector

B340 Connection 1 (58d), in main wiring harness

B341 Connection 2 (58d), in main wiring harness

* Only models with manual gearbox



- ws = white
- sw = black
- ro = red
- rt = red
- br = brown
- gn = green
- bl = blue
- gr = grey
- li = purple
- vi = purple
- ge = yellow
- or = orange
- rs = pink

323 324 325 326 327 328 329 330 331 332 333 334 335 336

[NH0-007250216]

Fuel delivery unit, Fuel pump relay, Engine control unit

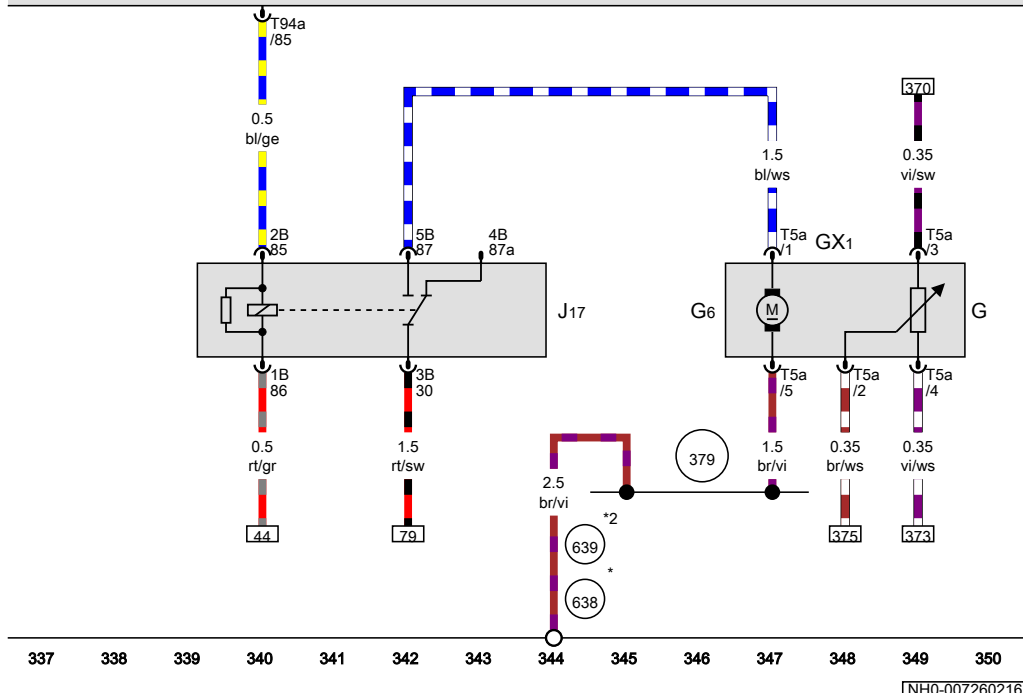
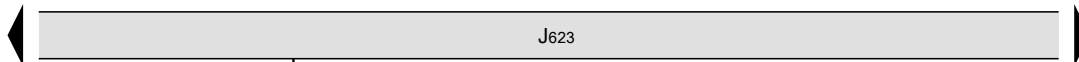
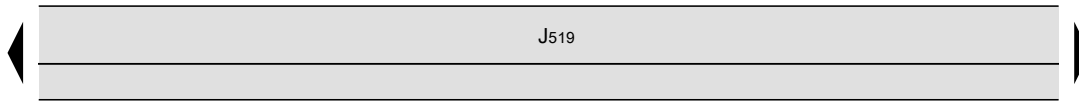
- G Fuel gauge sender
- GX1 Fuel delivery unit
- G6 Fuel system pressurisation pump
- J17 Fuel pump relay
- J519 Onboard supply control unit
- J623 Engine control unit
- T5a 5-pin connector
- T94a 94-pin connector

379 Earth connection 14, in main wiring harness

638 Earth point, on right A-pillar

639 Earth point, left A-pillar

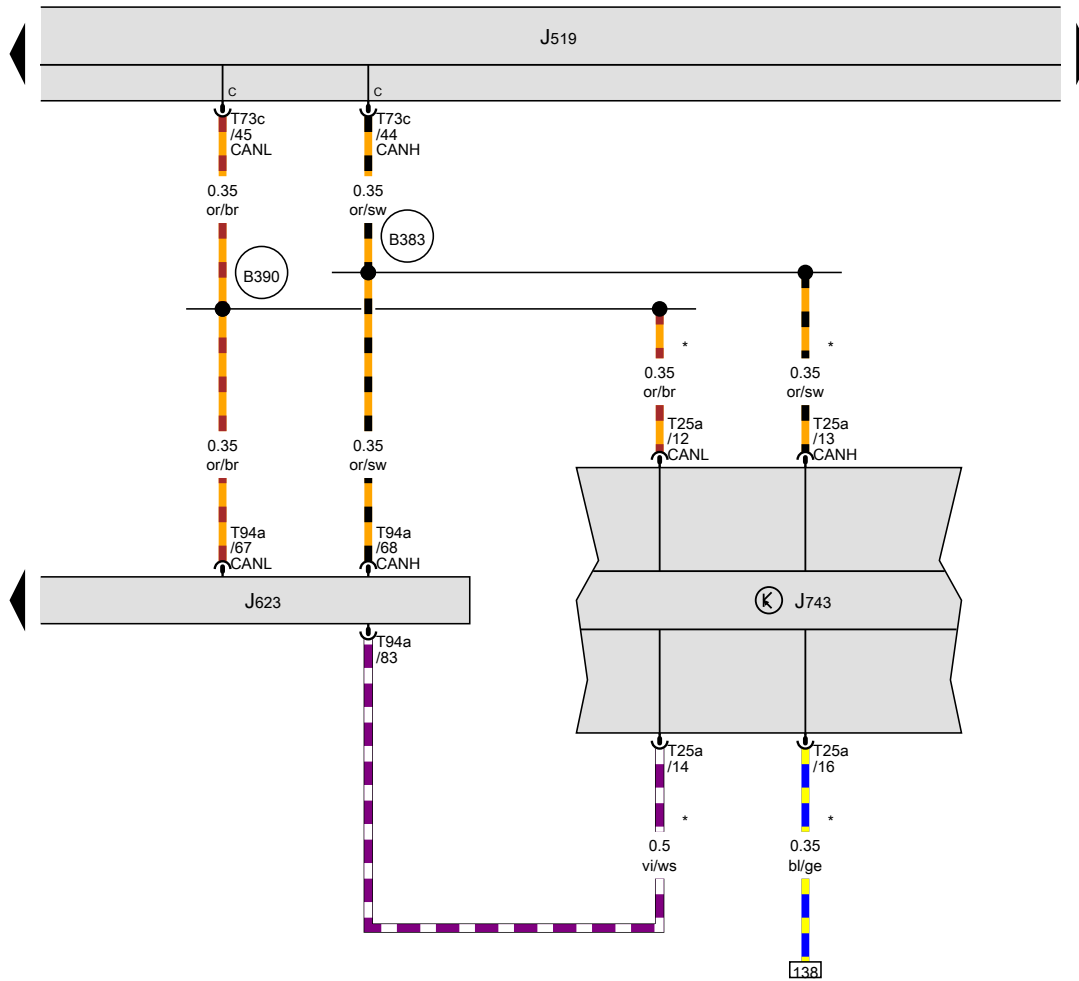
* Only left-hand drive models
 *2 Only right-hand drive models



- ws = white
- sw = black
- ro = red
- rt = red
- br = brown
- gn = green
- bl = blue
- gr = grey
- li = purple
- vi = purple
- ge = yellow
- or = orange
- rs = pink

[NH0-007260216]

Engine control unit, Mechatronic unit for dual clutch gearbox



- J519 Onboard supply control unit
- J623 Engine control unit
- J743 Mechatronic unit for dual clutch gearbox
- T25a 25-pin connector
- T73c 73-pin connector, black
- T94a 94-pin connector

B383 Connection 1 (powertrain CAN bus, high), in main wiring harness

B390 Connection 1 (powertrain CAN bus, low), in main wiring harness

* Only models with automatic gearbox

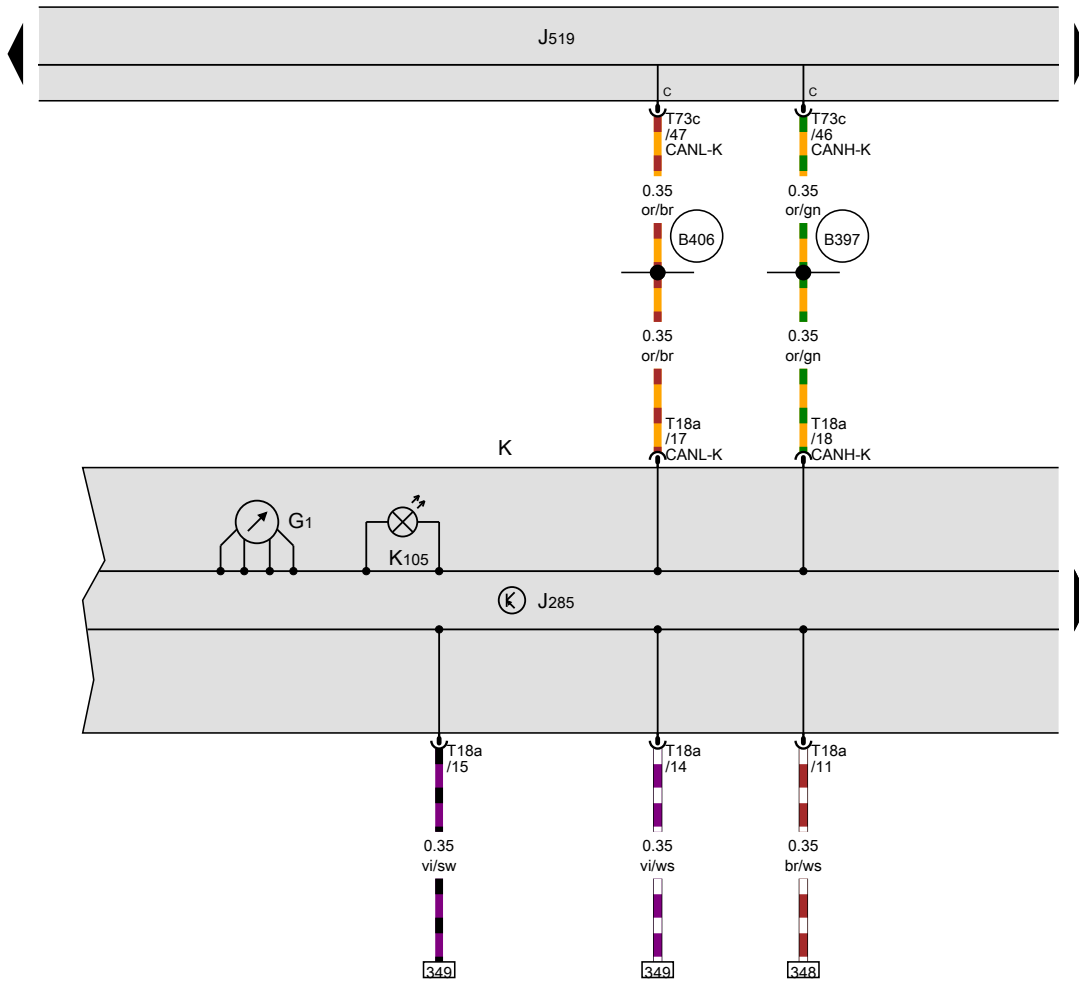
- ws = white
- sw = black
- ro = red
- rt = red
- br = brown
- gn = green
- bl = blue
- gr = grey
- li = purple
- vi = purple
- ge = yellow
- or = orange
- rs = pink

351 352 353 354 355 356 357 358 359 360 361 362 363 364

[NH0-007270216]

Fuel gauge, Dash panel insert

- G1 Fuel gauge
- J285 Control unit in dash panel insert
- J519 Onboard supply control unit
- K Dash panel insert
- K105 Reserve fuel warning lamp
- T18a 18-pin connector
- T73c 73-pin connector, black
- B397** Connection 1 (convenience CAN bus, high), in main wiring harness
- B406** Connection 1 (convenience CAN bus, low), in main wiring harness



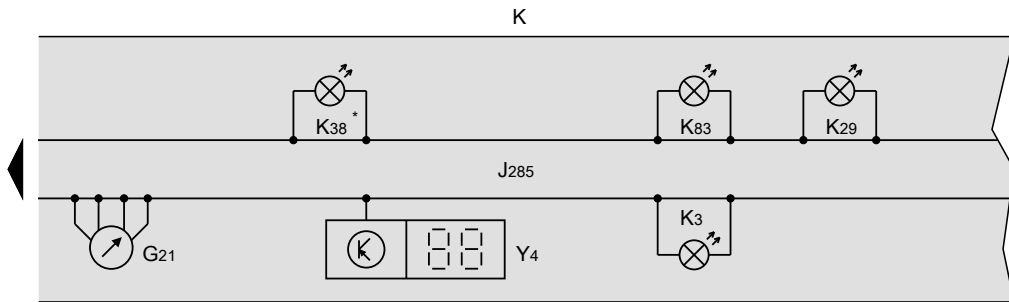
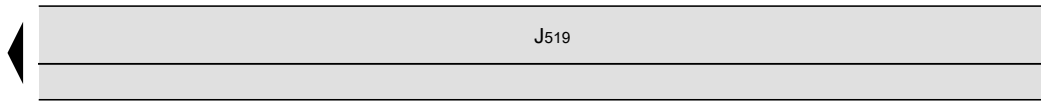
- ws = white
- sw = black
- ro = red
- rt = red
- br = brown
- gn = green
- bl = blue
- gr = grey
- li = purple
- vi = purple
- ge = yellow
- or = orange
- rs = pink

365 366 367 368 369 370 371 372 373 374 375 376 377 378

[NH0-007280216]

Speedometer, Dash panel insert, Trip counter

- G21 Speedometer
- J285 Control unit in dash panel insert
- J519 Onboard supply control unit
- K Dash panel insert
- K3 Oil pressure warning lamp
- K29 Glow period warning lamp
- K38 Oil level warning lamp
- K83 Exhaust emissions warning lamp
- Y4 Trip counter
- * Only models with extended servicing intervals (ESI)



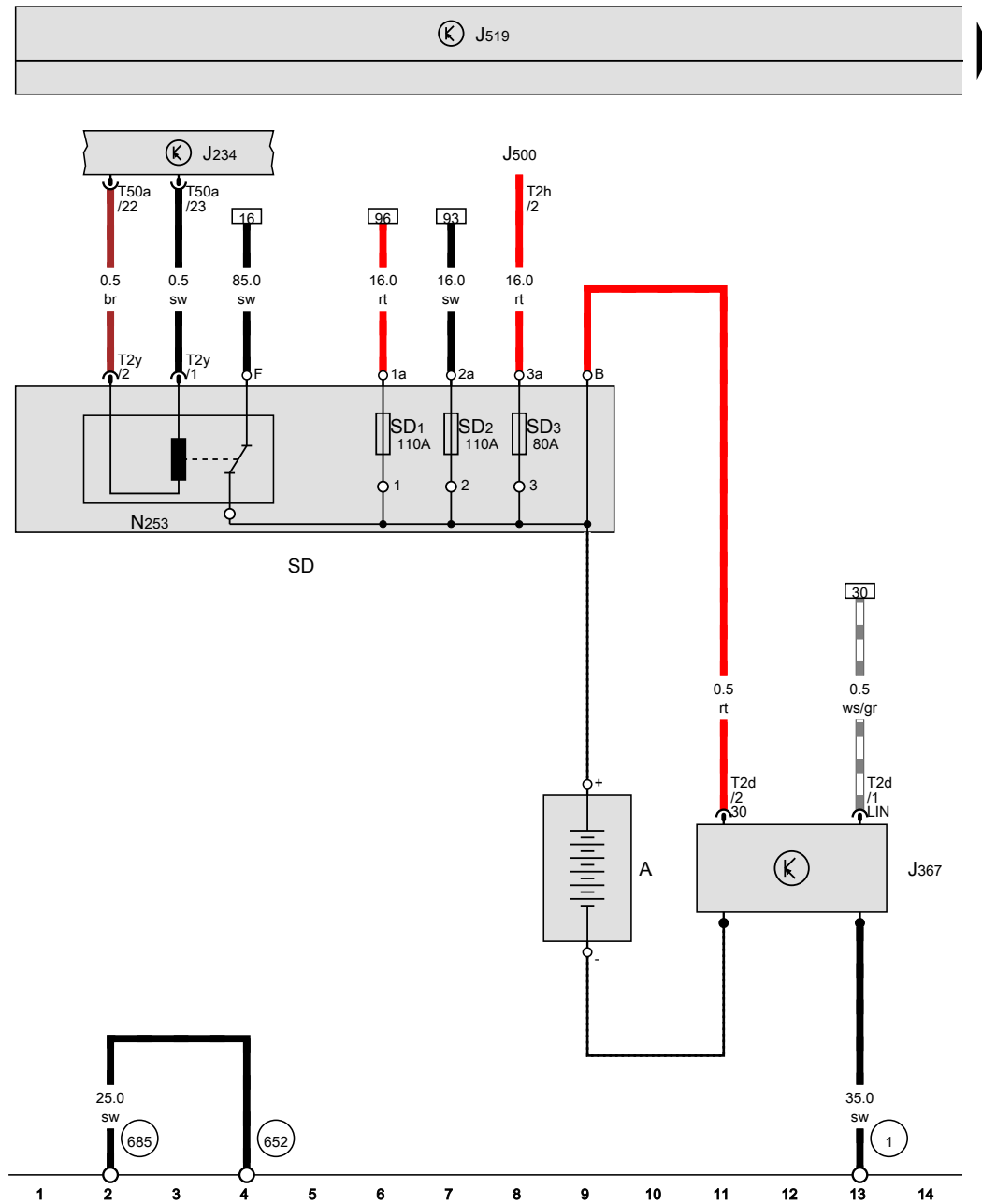
379 380 381 382 383 384 385 386 387 388 389 390 391 392

[NH0-007290216]

- ws = white
- sw = black
- ro = red
- rt = red
- br = brown
- gn = green
- bl = blue
- gr = grey
- li = purple
- vi = purple
- ge = yellow
- or = orange
- rs = pink

1.6l diesel engine with start/stop system , CXMA,(7L6)

From May 2015



Battery, Airbag control unit, Battery monitor control unit, Battery isolation igniter, Fuse holder D

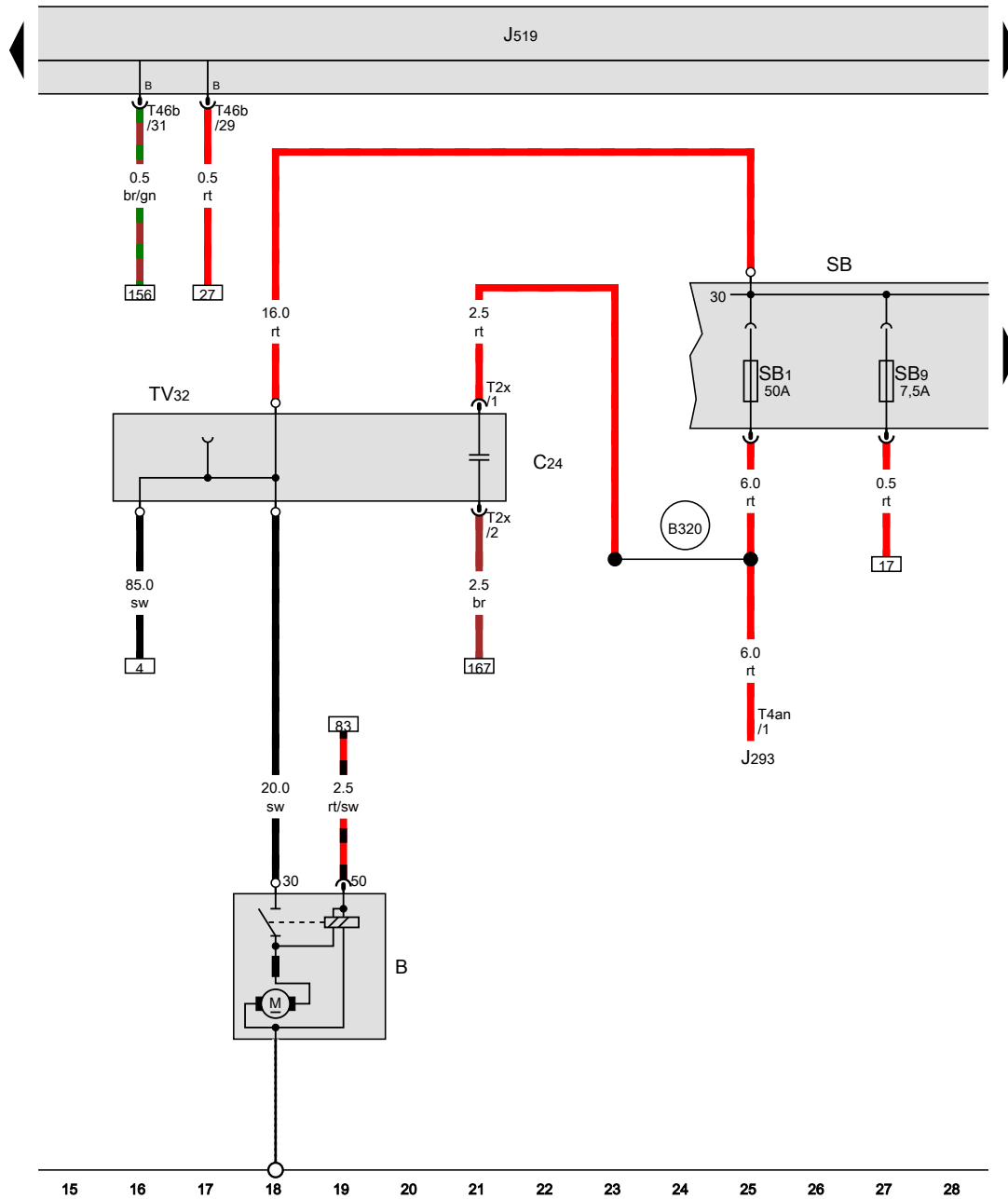
- A Battery
- J234 Airbag control unit
- J367 Battery monitor control unit
- J500 Power steering control unit
- J519 Onboard supply control unit
- N253 Battery isolation igniter
- SD Fuse holder D
- SD1 Fuse 1 on fuse holder D
- SD2 Fuse 2 on fuse holder D
- SD3 Fuse 3 on fuse holder D
- T2d 2-pin connector
- T2h 2-pin connector
- T2y 2-pin connector
- T50a 50-pin connector

- 1 Earth strap, battery - body
- 652 Earth point, engine and gearbox earth
- 685 Earth point 1 at front of right longitudinal member

- ws = white
- sw = black
- ro = red
- rt = red
- br = brown
- gn = green
- bl = blue
- gr = grey
- li = purple
- vi = purple
- ge = yellow
- or = orange
- rs = pink

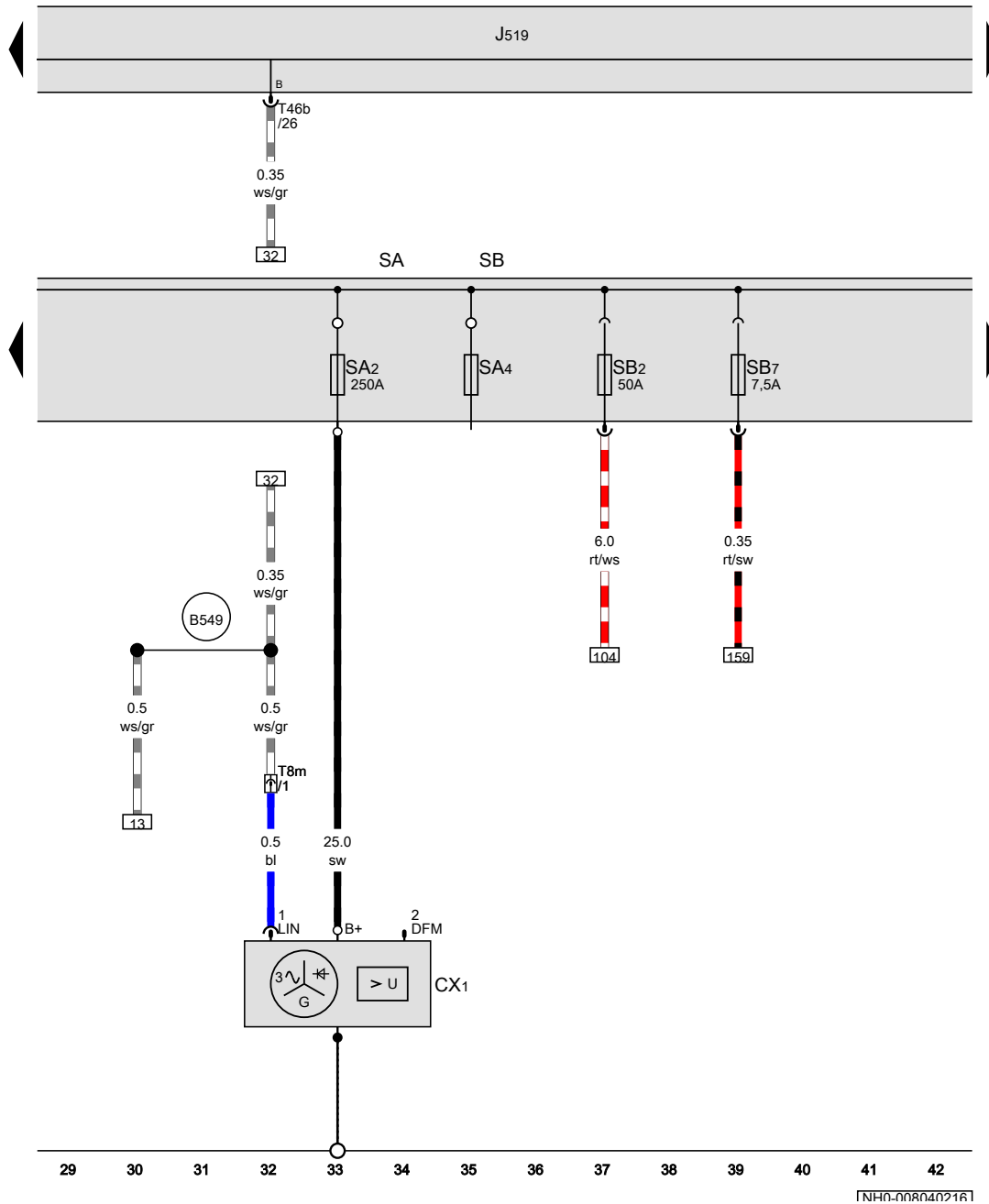
[NH0-008020216]

Starter, Fuse holder B, Jump start connection



- B Starter
- C24 Suppression filter
- J293 Radiator fan control unit
- J519 Onboard supply control unit
- SB Fuse holder B
- SB1 Fuse 1 on fuse holder B
- SB9 Fuse 9 on fuse holder B
- T2x 2-pin connector
- T4an 4-pin connector
- T46b 46-pin connector, brown
- TV32 Jump start connection
- (B320) Positive connection 6 (30a) in main wiring harness

[NH0-008030216]



Alternator with voltage regulator, Fuse holder A, Fuse holder B

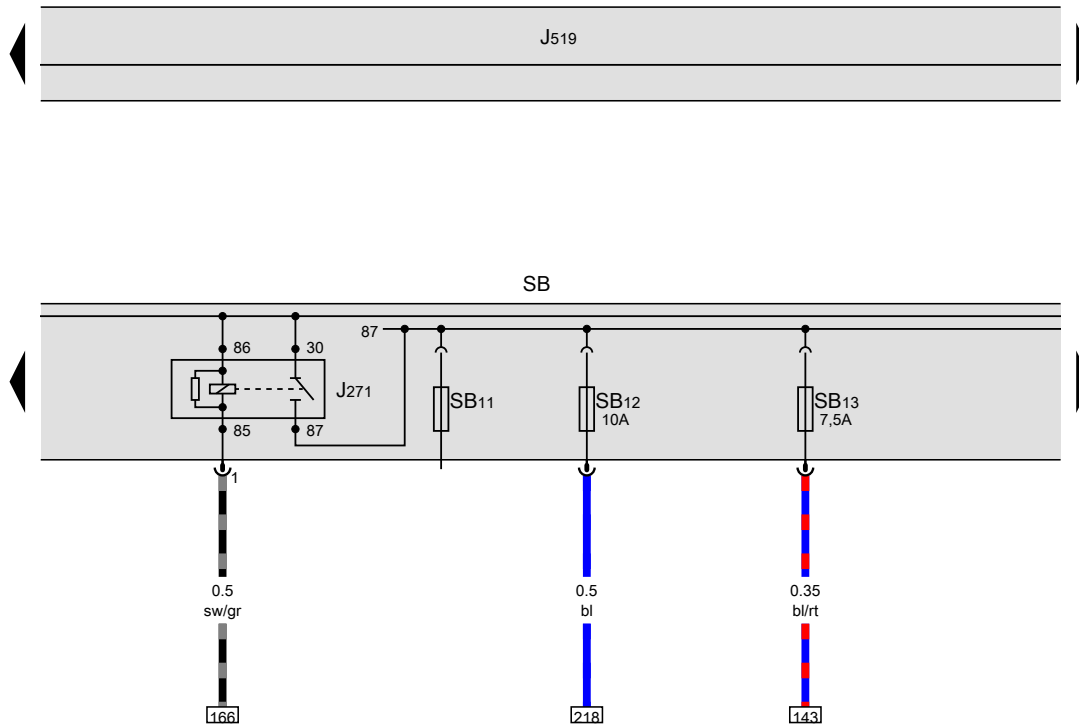
- CX1 Alternator with voltage regulator
- J519 Onboard supply control unit
- SA Fuse holder A
- SA2 Fuse 2 in fuse holder A
- SB2 Fuse 2 on fuse holder B
- SA4 Fuse 4 in fuse holder A
- SB Fuse holder B
- SB7 Fuse 7 on fuse holder B
- T8m 8-pin connector, front left in engine compartment
- T46b 46-pin connector, brown
- B549 Connection 2 (LIN bus) in main wiring harness

- ws = white
- sw = black
- ro = red
- rt = red
- br = brown
- gn = green
- bl = blue
- gr = grey
- li = purple
- vi = purple
- ge = yellow
- or = orange
- rs = pink

[NH0-008040216]

Main relay, Fuse holder B

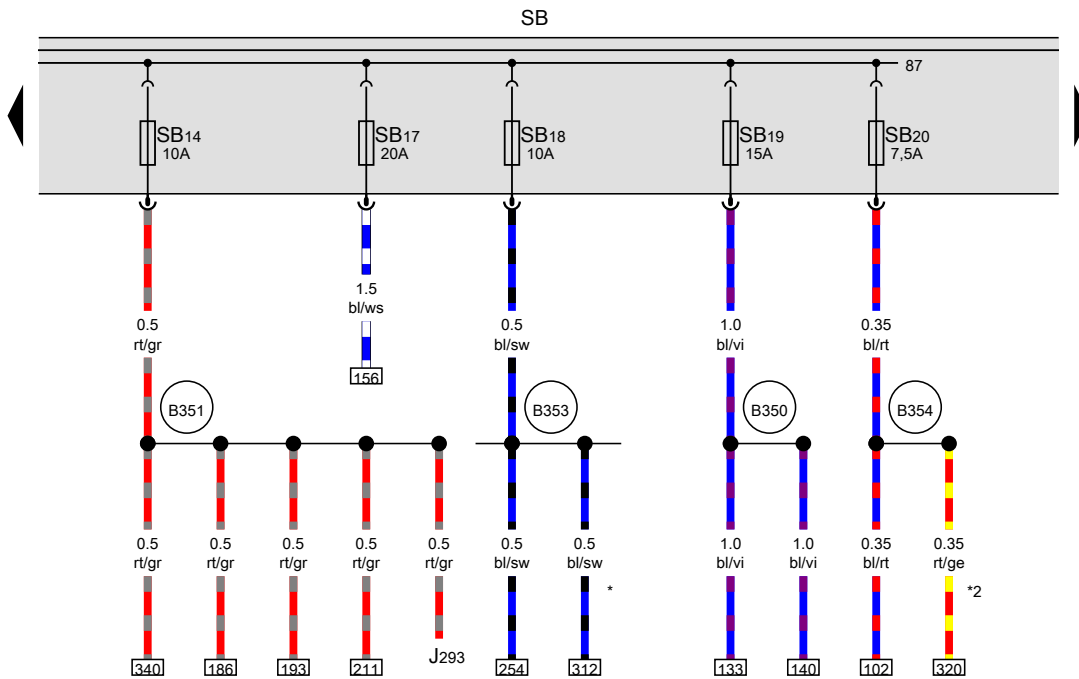
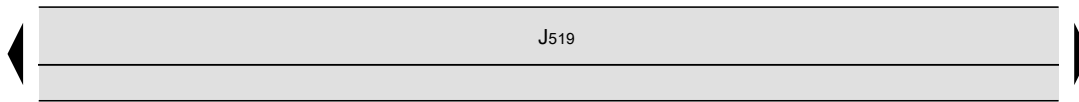
- J271 Main relay
- J519 Onboard supply control unit
- SB Fuse holder B
- SB11 Fuse 11 on fuse holder B
- SB12 Fuse 12 on fuse holder B
- SB13 Fuse 13 on fuse holder B



- ws = white
- sw = black
- ro = red
- rt = red
- br = brown
- gn = green
- bl = blue
- gr = grey
- li = purple
- vi = purple
- ge = yellow
- or = orange
- rs = pink

43 44 45 46 47 48 49 50 51 52 53 54 55 56

[NH0-008050216]



Fuse holder B

- J293 Radiator fan control unit
- J519 Onboard supply control unit
- SB Fuse holder B
- SB14 Fuse 14 on fuse holder B
- SB17 Fuse 17 on fuse holder B
- SB18 Fuse 18 on fuse holder B
- SB19 Fuse 19 on fuse holder B
- SB20 Fuse 20 on fuse holder B

- B350 Positive connection 1 (87a) in main wiring harness
- B351 Positive connection 2 (87a) in main wiring harness
- B353 Positive connection 4 (87a) in main wiring harness
- B354 Positive connection 5 (87a) in main wiring harness

- * Only models with extended servicing intervals (ESI)
- *2 Special equipment

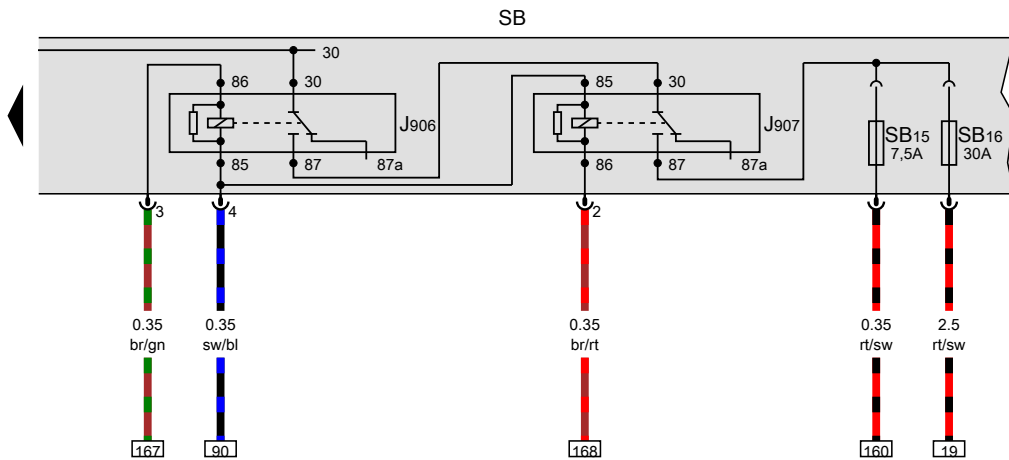
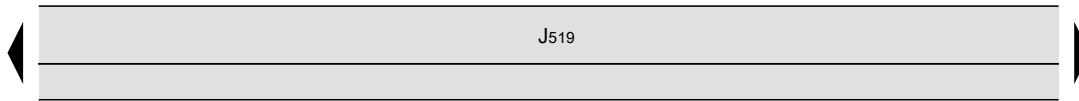
- ws = white
- sw = black
- ro = red
- rt = red
- br = brown
- gn = green
- bl = blue
- gr = grey
- li = purple
- vi = purple
- ge = yellow
- or = orange
- rs = pink

57 58 59 60 61 62 63 64 65 66 67 68 69 70

[NH0-008060216]

Starter relay 1, Starter relay 2, Fuse holder B

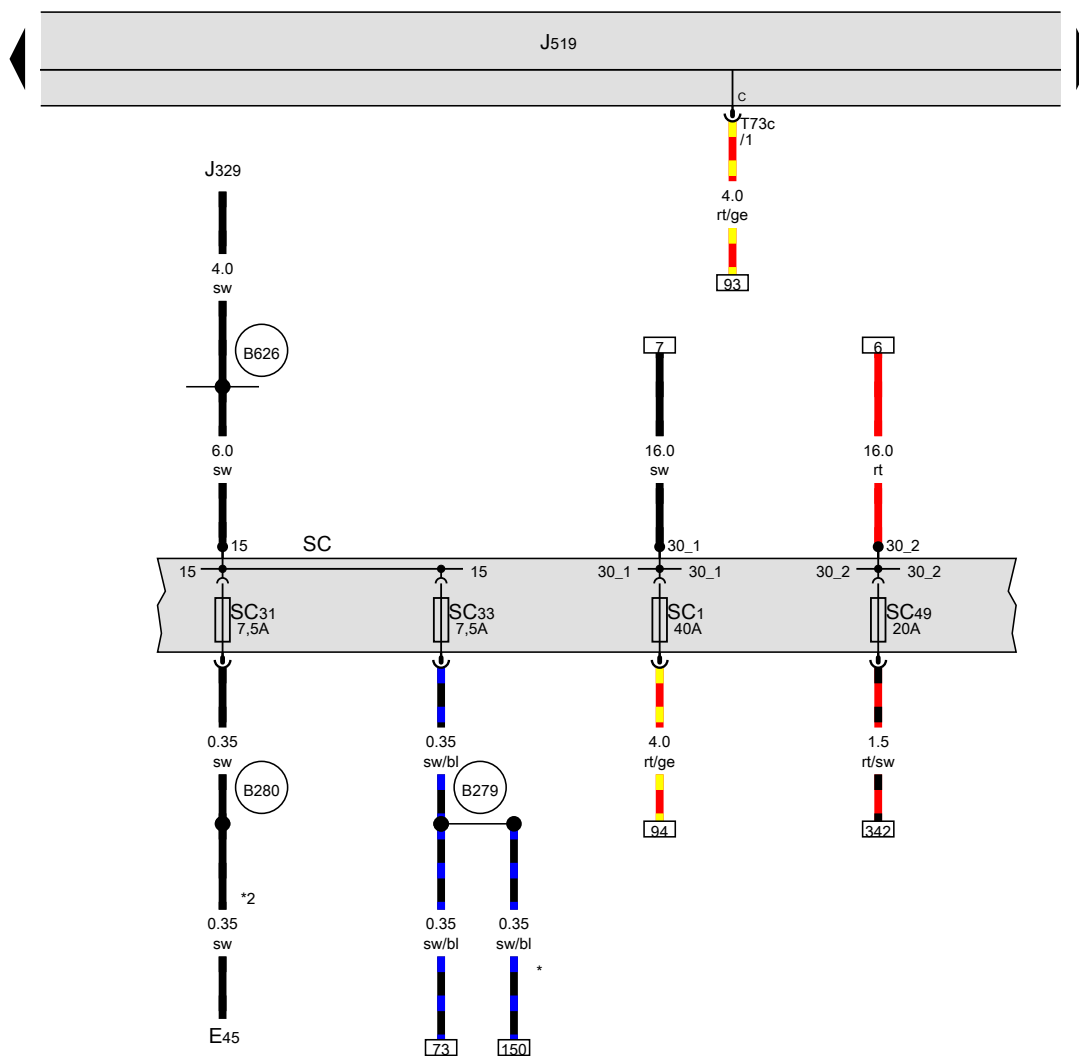
- J519 Onboard supply control unit
- J906 Starter relay 1
- J907 Starter relay 2
- SB Fuse holder B
- SB15 Fuse 15 on fuse holder B
- SB16 Fuse 16 on fuse holder B



- ws = white
- sw = black
- ro = red
- rt = red
- br = brown
- gn = green
- bl = blue
- gr = grey
- li = purple
- vi = purple
- ge = yellow
- or = orange
- rs = pink

71 72 73 74 75 76 77 78 79 80 81 82 83 84

[NH0-008070216]



Fuse holder C

- E45 Cruise control system switch
- J329 Terminal 15 voltage supply relay
- J519 Onboard supply control unit
- SC Fuse holder C
- SC1 Fuse 1 on fuse holder C
- SC31 Fuse 31 on fuse holder C
- SC33 Fuse 33 on fuse holder C
- SC49 Fuse 49 on fuse holder C
- T73c 73-pin connector, black

(B279) Positive connection 3 (15a) in main wiring harness

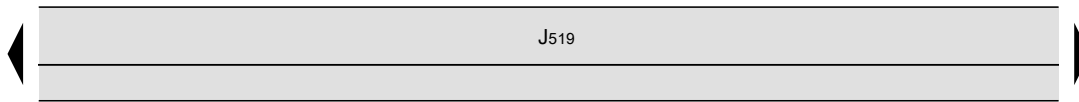
(B280) Positive connection 4 (15a) in main wiring harness

(B626) Positive connection 2 (15), in main wiring harness

* Only models with manual gearbox

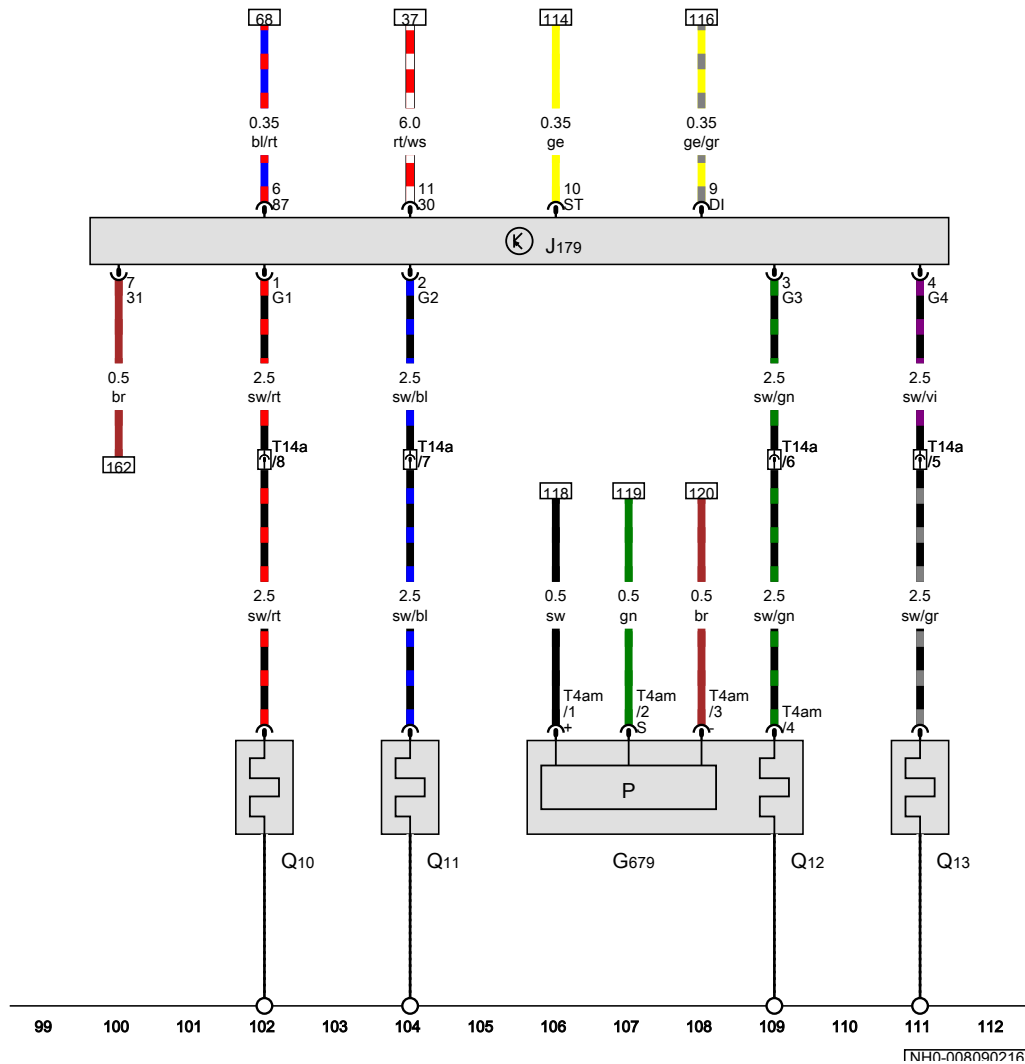
*2 Only models with cruise control system (CCS)

- ws = white
- sw = black
- ro = red
- rt = red
- br = brown
- gn = green
- bl = blue
- gr = grey
- li = purple
- vi = purple
- ge = yellow
- or = orange
- rs = pink



Cylinder 3 combustion chamber pressure sender,
Automatic glow period control unit, Glow plug 1, Glow plug 2,
Glow plug 3, Glow plug 4

- G679 Cylinder 3 combustion chamber pressure sender
- J179 Automatic glow period control unit
- J519 Onboard supply control unit
- Q10 Glow plug 1
- Q11 Glow plug 2
- Q12 Glow plug 3
- Q13 Glow plug 4
- T4am 4-pin connector
- T14a 14-pin connector, front left in engine compartment

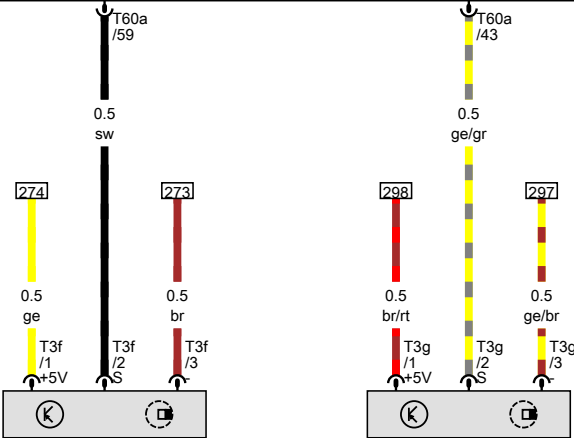
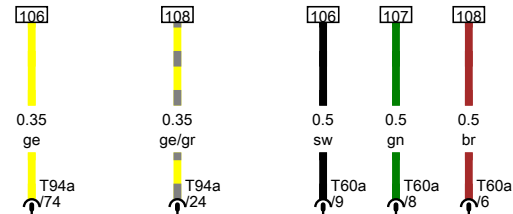
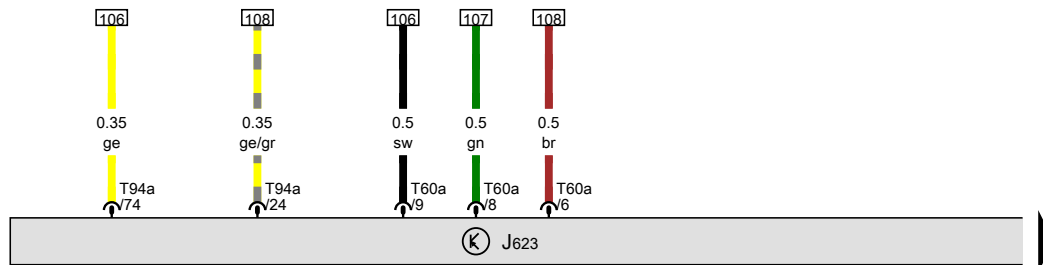
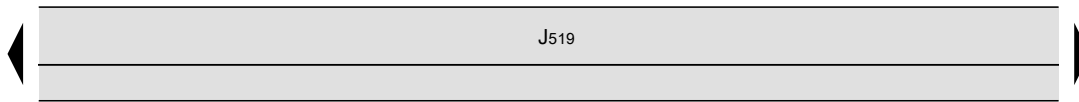


- ws = white
- sw = black
- ro = red
- rt = red
- br = brown
- gn = green
- bl = blue
- gr = grey
- li = purple
- vi = purple
- ge = yellow
- or = orange
- rs = pink

1NH0-008090216

Engine speed sender, Hall sender, Engine control unit

- G28 Engine speed sender
- G40 Hall sender
- J519 Onboard supply control unit
- J623 Engine control unit
- T3f 3-pin connector
- T3g 3-pin connector
- T60a 60-pin connector
- T94a 94-pin connector



- ws = white
- sw = black
- ro = red
- rt = red
- br = brown
- gn = green
- bl = blue
- gr = grey
- li = purple
- vi = purple
- ge = yellow
- or = orange
- rs = pink

113 114 115 116 117 118 119 120 121 122 123 124 125 126

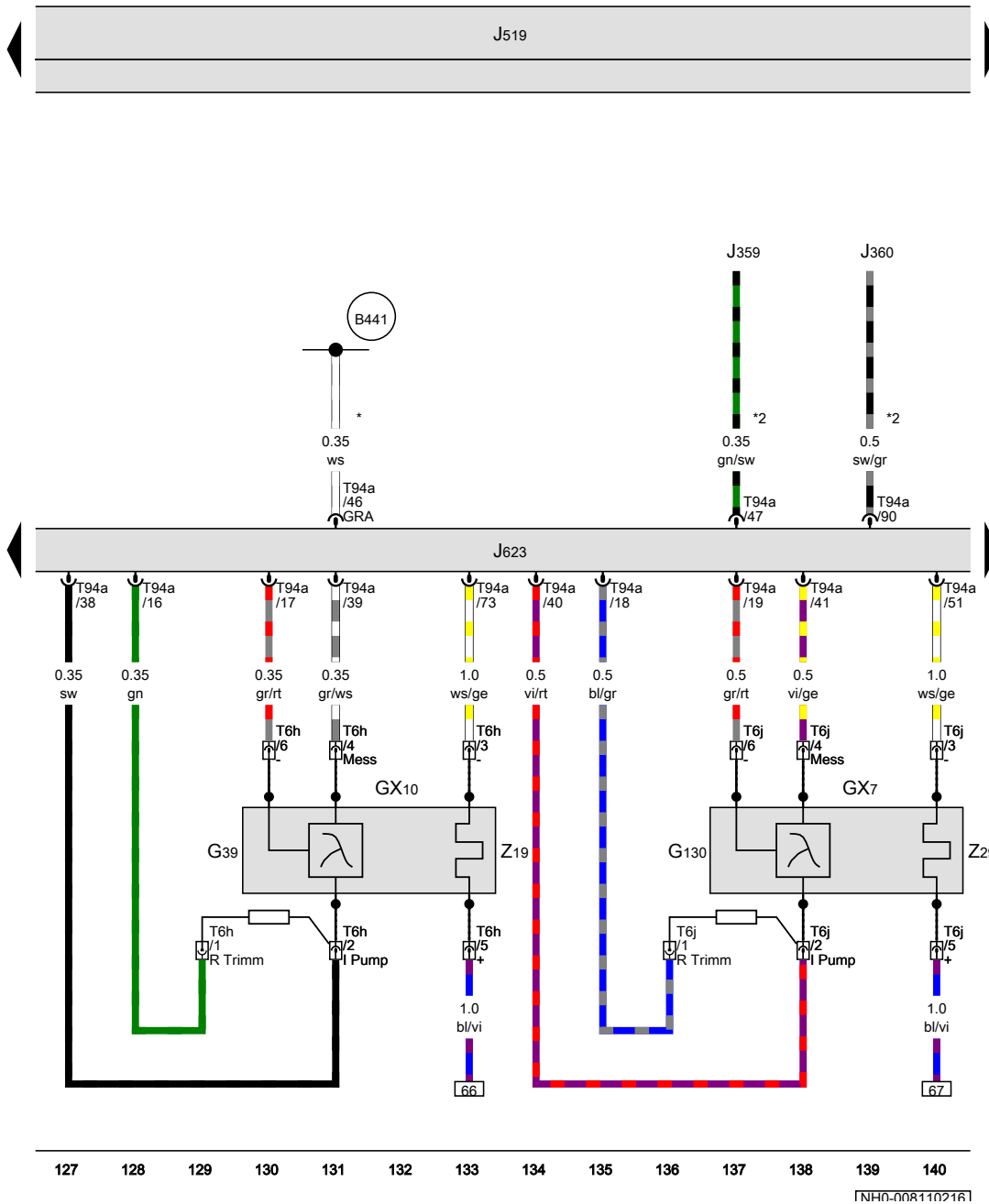
[NH0-008100216]

Lambda probe 1 after catalytic converter, Lambda probe 1 before catalytic converter, Engine control unit

- GX7 Lambda probe 1 after catalytic converter
- GX10 Lambda probe 1 before catalytic converter
- G39 Lambda probe
- G130 Lambda probe after catalytic converter
- J359 Low heat output relay
- J360 High heat output relay
- J519 Onboard supply control unit
- J623 Engine control unit
- T6h 6-pin connector, black
- T6j 6-pin connector, brown
- T94a 94-pin connector
- Z19 Lambda probe heater
- Z29 Lambda probe 1 heater after catalytic converter

B441 Connection (CCS), in main wiring harness

- * Only models with cruise control system (CCS)
- *2 Only models with auxiliary air heater



- ws = white
- sw = black
- ro = red
- rt = red
- br = brown
- gn = green
- bl = blue
- gr = grey
- li = purple
- vi = purple
- ge = yellow
- or = orange
- rs = pink

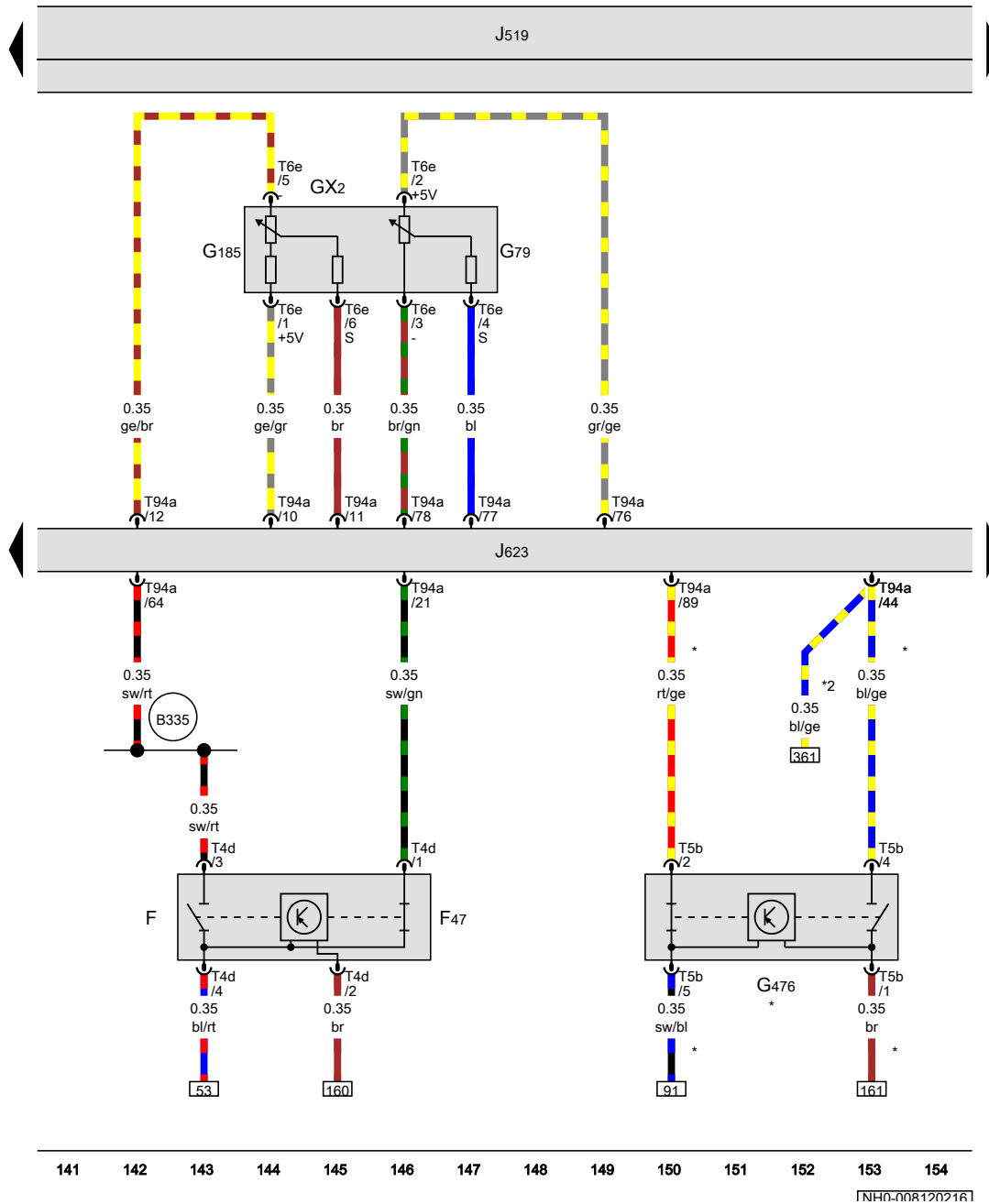
[NH0-008110216]

Brake pedal switch, Accelerator pedal module, Clutch position sender, Engine control unit

- F Brake light switch
- F47 Brake pedal switch
- GX2 Accelerator pedal module
- G79 Accelerator position sender
- G185 Accelerator position sender 2
- G476 Clutch position sender
- J519 Onboard supply control unit
- J623 Engine control unit
- T4d 4-pin connector
- T5b 5-pin connector
- T6e 6-pin connector
- T94a 94-pin connector

B335 Connection 1 (54), in main wiring harness

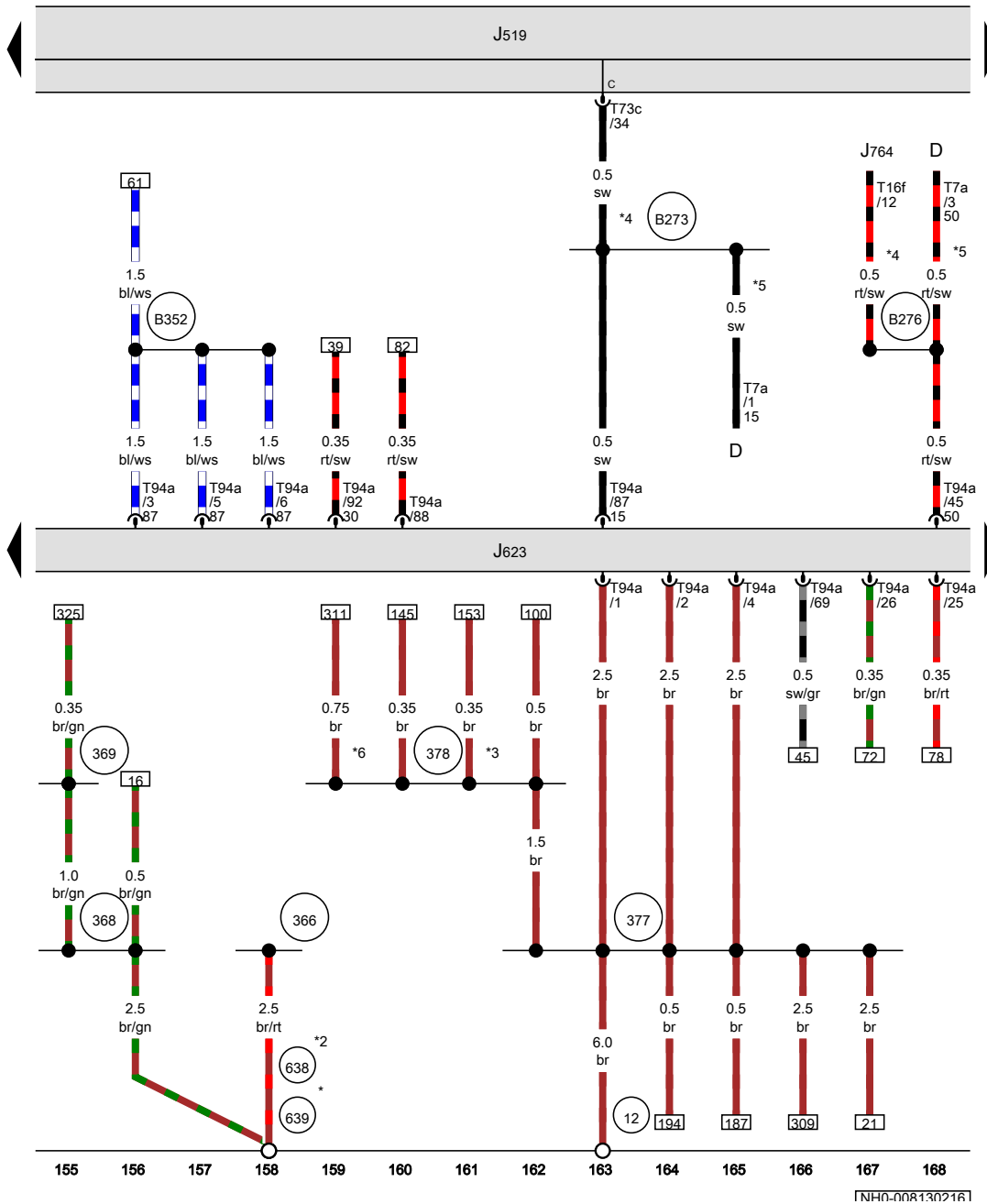
- * Only models with manual gearbox
- *2 Only models with automatic gearbox



- ws = white
- sw = black
- ro = red
- rt = red
- br = brown
- gn = green
- bl = blue
- gr = grey
- li = purple
- vi = purple
- ge = yellow
- or = orange
- rs = pink

141 142 143 144 145 146 147 148 149 150 151 152 153 154

[NH0-008120216]



Engine control unit

- D Ignition/starter switch
- J519 Onboard supply control unit
- J623 Engine control unit
- J764 Control unit for electronic steering column lock
- T7a 7-pin connector
- T16f 16-pin connector
- T73c 73-pin connector, black
- T94a 94-pin connector

- 12 Earth point, on left in engine compartment
- 366 Earth connection 1, in main wiring harness
- 368 Earth connection 3, in main wiring harness
- 369 Earth connection 4, in main wiring harness
- 377 Earth connection 12, in main wiring harness
- 378 Earth connection 13, in main wiring harness
- 638 Earth point, on right A-pillar
- 639 Earth point, left A-pillar
- B273 Positive connection (15), in main wiring harness
- B276 Positive connection (50), in main wiring harness
- B352 Positive connection 3 (87a) in main wiring harness

- ws = white
- sw = black
- ro = red
- rt = red
- br = brown
- gn = green
- bl = blue
- gr = grey
- li = purple
- vi = purple
- ge = yellow
- or = orange
- rs = pink

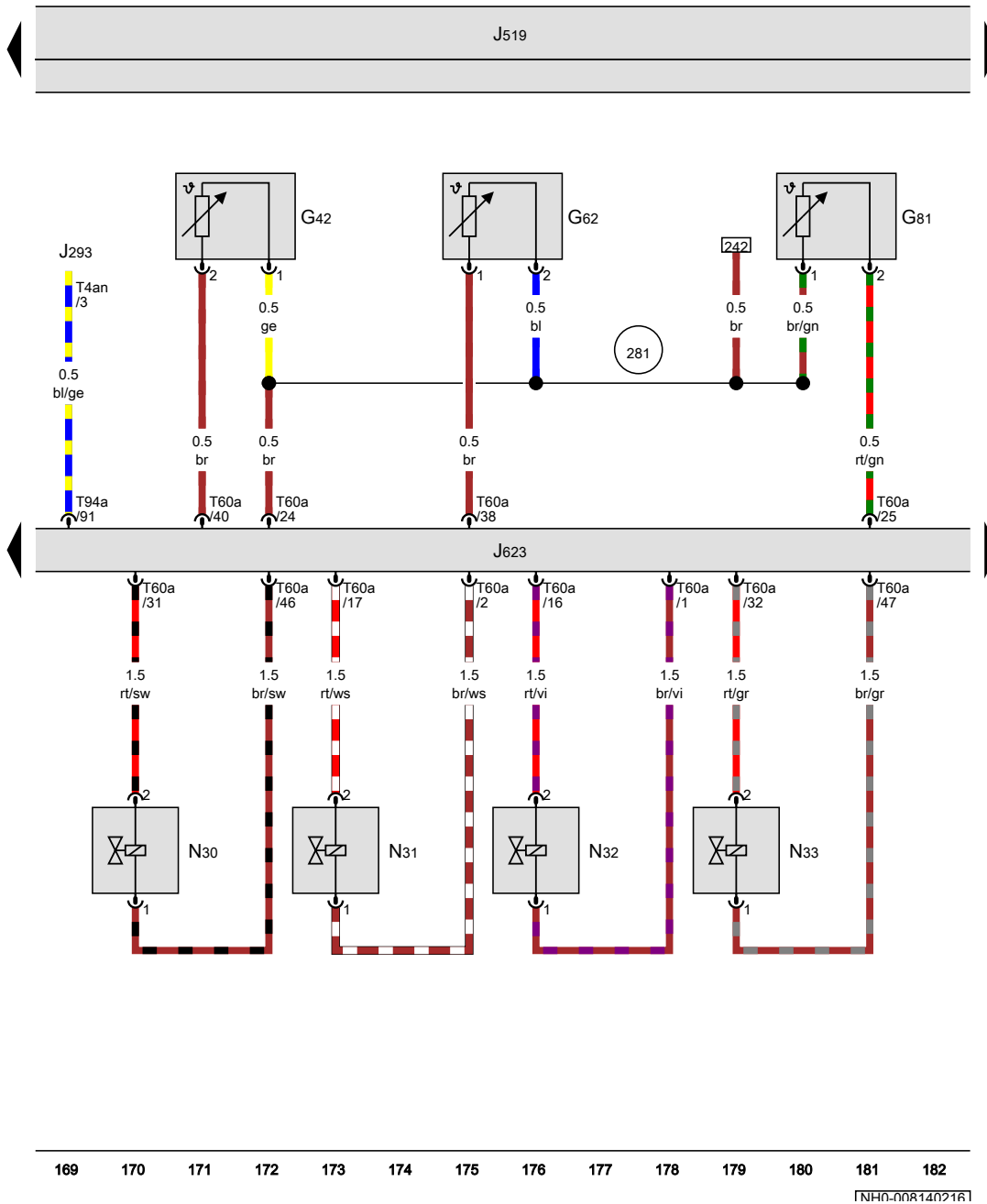
- * Only left-hand drive models
- *2 Only right-hand drive models
- *3 Only models with manual gearbox
- *4 Only models with entry and start authorisation
- *5 Only models with no entry and start authorisation
- *6 Only models with extended servicing intervals (ESI)

[NH0-008130216]

Intake air temperature sender, Coolant temperature sender, Fuel temperature sender, Engine control unit, Injector, cylinder 1, Injector, cylinder 2, Injector, cylinder 3, Injector, cylinder 4

- G42 Intake air temperature sender
- G62 Coolant temperature sender
- G81 Fuel temperature sender
- J293 Radiator fan control unit
- J519 Onboard supply control unit
- J623 Engine control unit
- N30 Injector, cylinder 1
- N31 Injector, cylinder 2
- N32 Injector, cylinder 3
- N33 Injector, cylinder 4
- T4an 4-pin connector
- T60a 60-pin connector
- T94a 94-pin connector

281 Earth point 1, engine prewiring harness



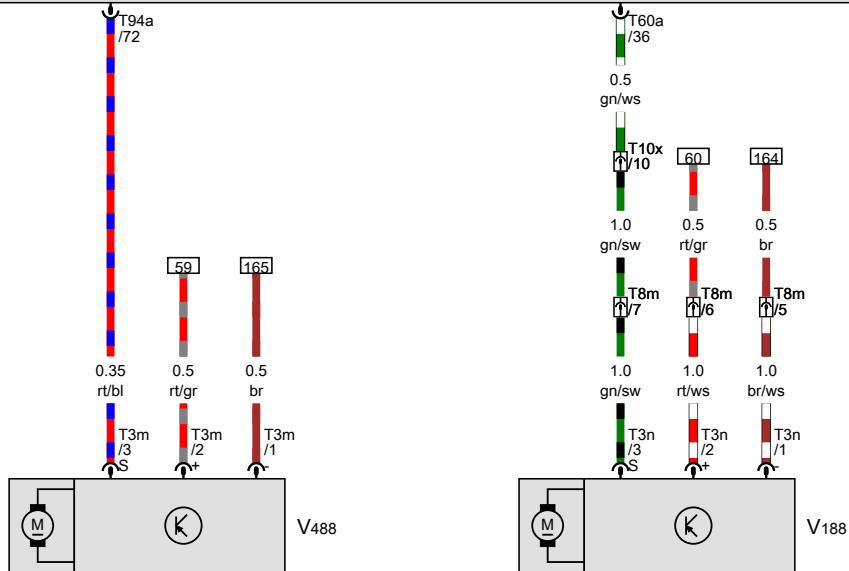
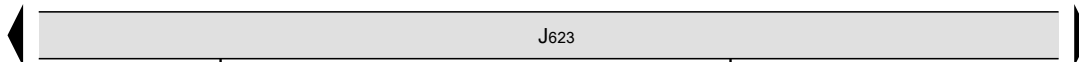
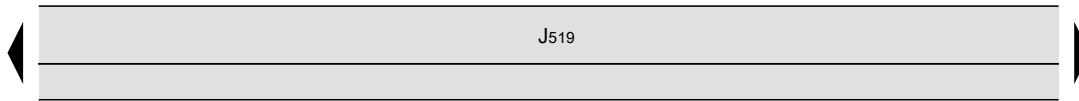
- ws = white
- sw = black
- ro = red
- rt = red
- br = brown
- gn = green
- bl = blue
- gr = grey
- li = purple
- vi = purple
- ge = yellow
- or = orange
- rs = pink

169 170 171 172 173 174 175 176 177 178 179 180 181 182

1NH0-0081402161

Engine control unit, Charge air cooling pump, Auxiliary pump for heating

- J519 Onboard supply control unit
- J623 Engine control unit
- T3m 3-pin connector
- T3n 3-pin connector
- T8m 8-pin connector, front left in engine compartment
- T10x 10-pin connector, front left in engine compartment
- T60a 60-pin connector
- T94a 94-pin connector
- V188 Charge air cooling pump
- V488 Auxiliary pump for heating



- ws = white
- sw = black
- ro = red
- rt = red
- br = brown
- gn = green
- bl = blue
- gr = grey
- li = purple
- vi = purple
- ge = yellow
- or = orange
- rs = pink

183 184 185 186 187 188 189 190 191 192 193 194 195 196

[NH0-008150216]

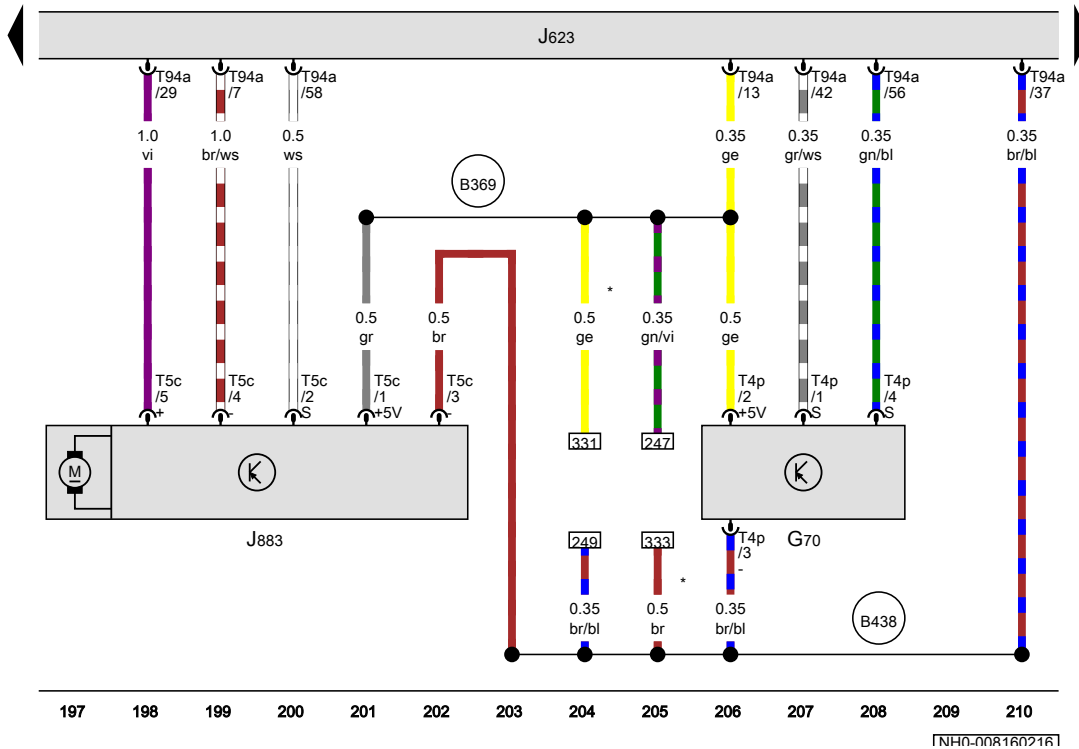
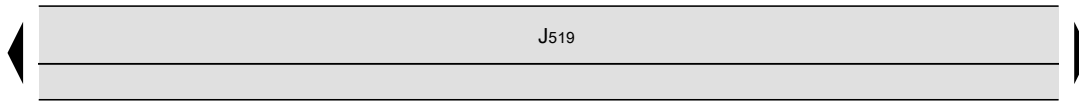
Air mass meter, Engine control unit, Exhaust flap control unit

- G70 Air mass meter
- J519 Onboard supply control unit
- J623 Engine control unit
- J883 Exhaust flap control unit
- T4p 4-pin connector
- T5c 5-pin connector
- T94a 94-pin connector

B369 Connection 1 (5V), in main wiring harness

B438 Connection 2 (GND (earth)), in main wiring harness

* Only models with manual gearbox



- ws = white
- sw = black
- ro = red
- rt = red
- br = brown
- gn = green
- bl = blue
- gr = grey
- li = purple
- vi = purple
- ge = yellow
- or = orange
- rs = pink

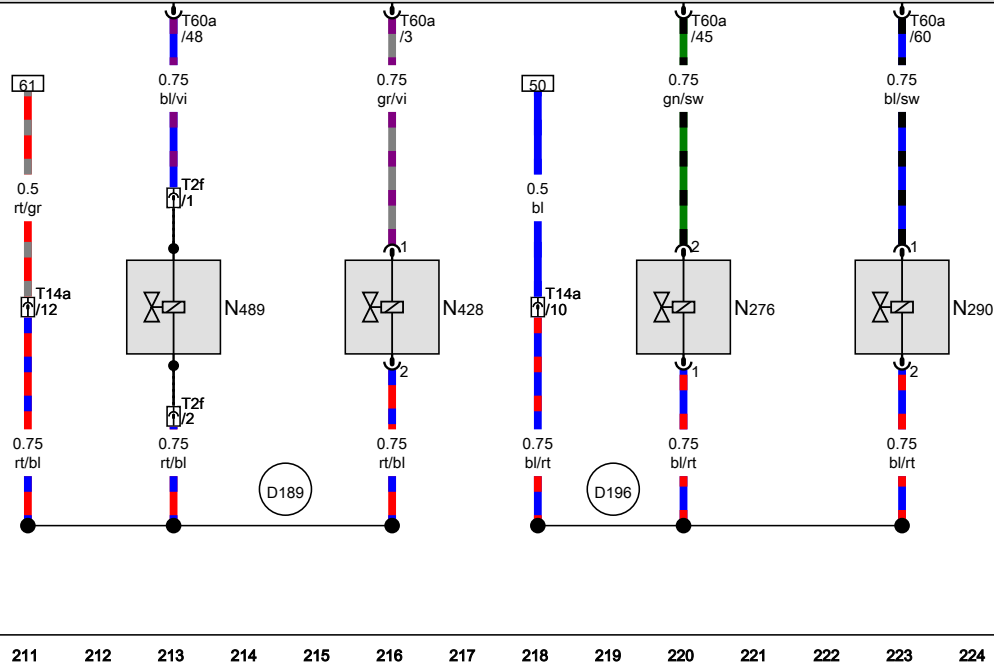
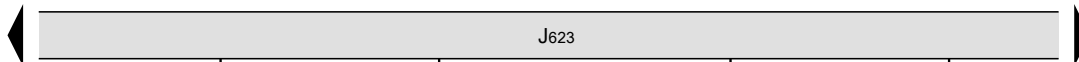
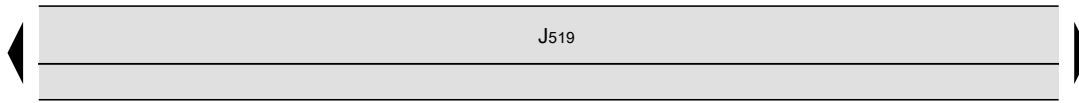
[NH0-008160216]

Engine control unit, Fuel pressure regulating valve, Fuel metering valve, Valve for oil pressure control, Coolant valve for cylinder head

- J519 Onboard supply control unit
- J623 Engine control unit
- N276 Fuel pressure regulating valve
- N290 Fuel metering valve
- N428 Valve for oil pressure control
- N489 Coolant valve for cylinder head
- T2f 2-pin connector
- T14a 14-pin connector, front left in engine compartment
- T60a 60-pin connector

D189 Connection (87a) in engine prewiring harness

D196 Connection 2 (87a) in engine prewiring harness



- ws = white
- sw = black
- ro = red
- rt = red
- br = brown
- gn = green
- bl = blue
- gr = grey
- li = purple
- vi = purple
- ge = yellow
- or = orange
- rs = pink

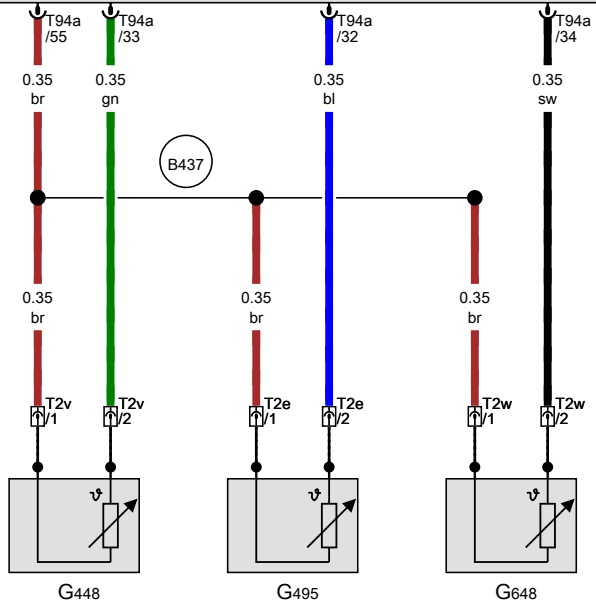
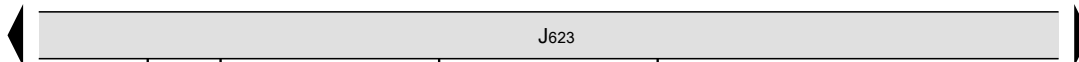
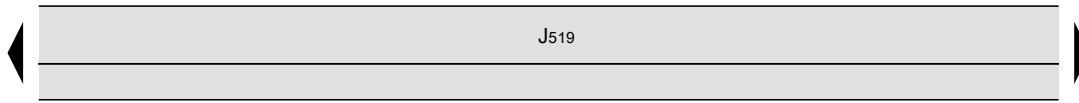
211 212 213 214 215 216 217 218 219 220 221 222 223 224

[NH0-008170216]

Exhaust gas temperature sender 2, Exhaust gas temperature sender 3, Exhaust gas temperature sender 4, Engine control unit

- G448 Exhaust gas temperature sender 2
- G495 Exhaust gas temperature sender 3
- G648 Exhaust gas temperature sender 4
- J519 Onboard supply control unit
- J623 Engine control unit
- T2e 2-pin connector, brown
- T2v 2-pin connector, black
- T2w 2-pin connector, orange
- T94a 94-pin connector

B437 Connection 1 (GND (earth)), in main wiring harness



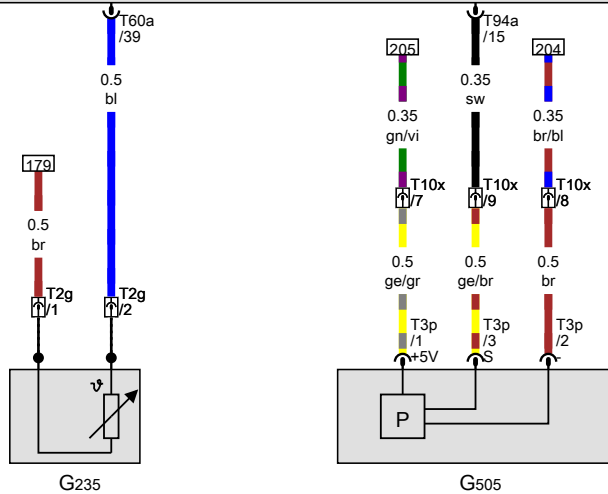
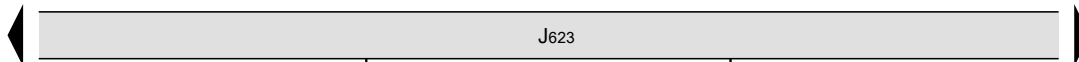
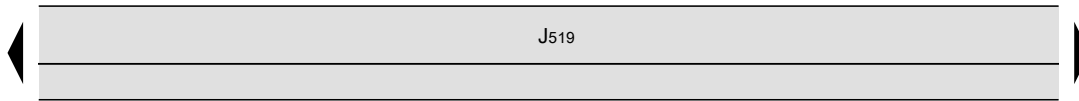
225 226 227 228 229 230 231 232 233 234 235 236 237 238

[NH0-008180216]

- ws = white
- sw = black
- ro = red
- rt = red
- br = brown
- gn = green
- bl = blue
- gr = grey
- li = purple
- vi = purple
- ge = yellow
- or = orange
- rs = pink

Exhaust gas temperature sender 1, Pressure differential sender, Engine control unit

- G235 Exhaust gas temperature sender 1
- G505 Pressure differential sender
- J519 Onboard supply control unit
- J623 Engine control unit
- T2g 2-pin connector
- T3p 3-pin connector
- T10x 10-pin connector, front left in engine compartment
- T60a 60-pin connector
- T94a 94-pin connector



239 240 241 242 243 244 245 246 247 248 249 250 251 252

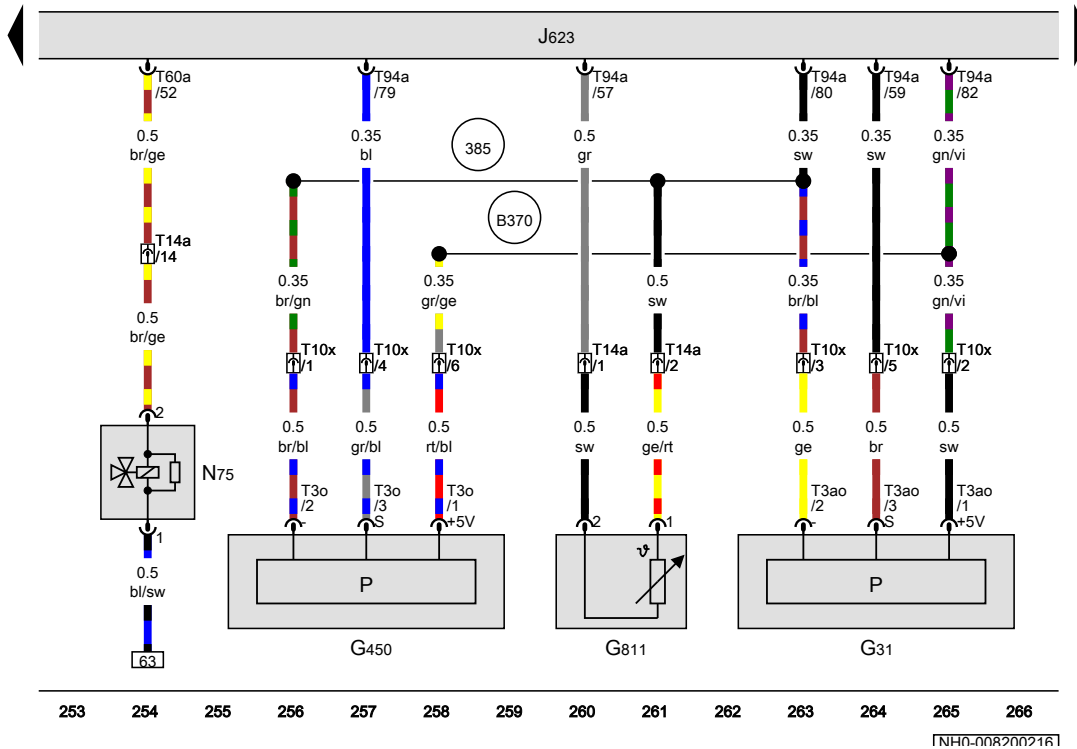
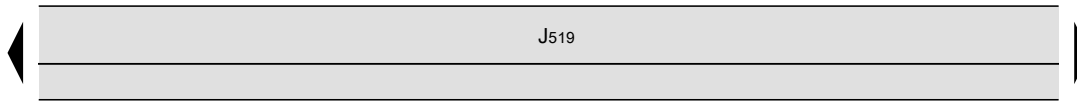
[NH0-008190216]

Charge pressure sender, Exhaust gas pressure sensor 1,
Charge air temperature sender after charge air cooler,
Engine control unit, Charge pressure control solenoid valve

- G31 Charge pressure sender
- G450 Exhaust gas pressure sensor 1
- G811 Charge air temperature sender after charge air cooler
- J519 Onboard supply control unit
- J623 Engine control unit
- N75 Charge pressure control solenoid valve
- T3ao 3-pin connector
- T3o 3-pin connector
- T10x 10-pin connector, front left in engine compartment
- T14a 14-pin connector, front left in engine compartment
- T60a 60-pin connector
- T94a 94-pin connector

385 Earth connection 20, in main wiring harness

B370 Connection 2 (5V), in main wiring harness



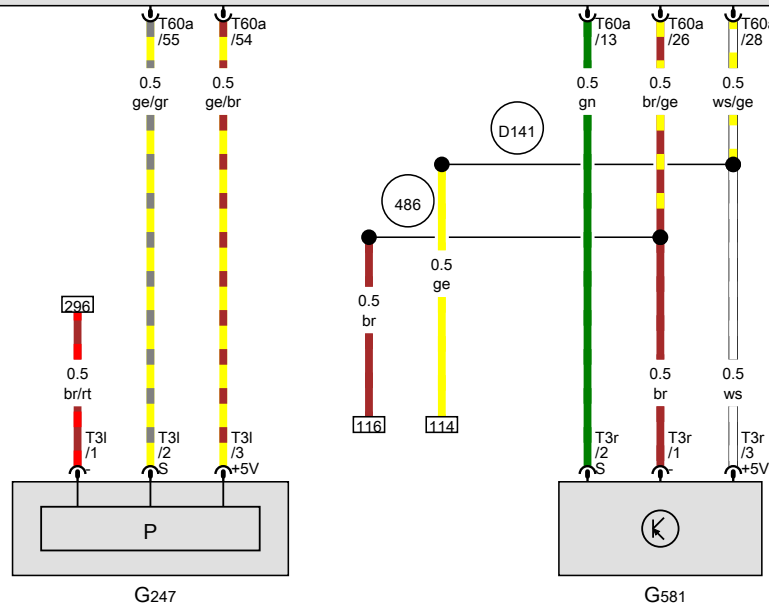
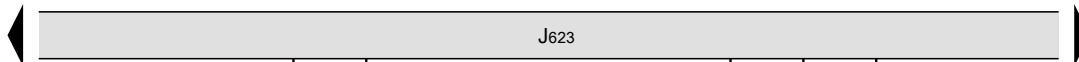
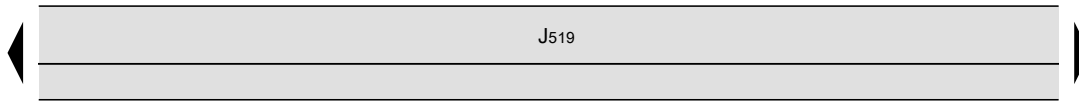
- ws = white
- sw = black
- ro = red
- rt = red
- br = brown
- gn = green
- bl = blue
- gr = grey
- li = purple
- vi = purple
- ge = yellow
- or = orange
- rs = pink

Fuel pressure sender, Position sender for charge pressure positioner, Engine control unit

- G247 Fuel pressure sender
- G581 Position sender for charge pressure positioner
- J519 Onboard supply control unit
- J623 Engine control unit
- T3l 3-pin connector
- T3r 3-pin connector
- T60a 60-pin connector

486 Earth point 4, engine prewiring harness

D141 Connection (5V) in engine prewiring harness



- ws = white
- sw = black
- ro = red
- rt = red
- br = brown
- gn = green
- bl = blue
- gr = grey
- li = purple
- vi = purple
- ge = yellow
- or = orange
- rs = pink

267 268 269 270 271 272 273 274 275 276 277 278 279 280

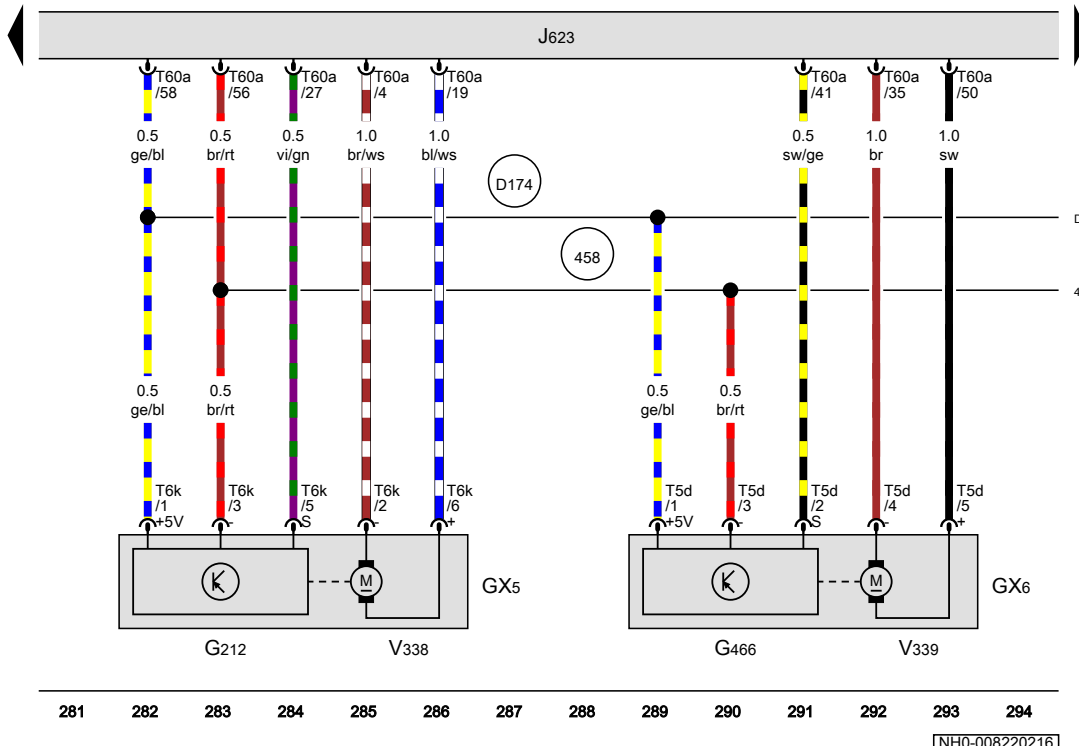
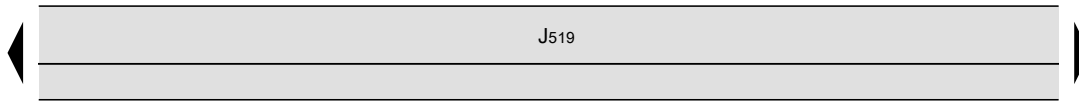
[NH0-008210216]

Exhaust gas recirculation valve 1, Exhaust gas recirculation valve 2, Engine control unit

- GX5 Exhaust gas recirculation valve 1
- GX6 Exhaust gas recirculation valve 2
- G212 Exhaust gas recirculation potentiometer
- G466 Exhaust gas recirculation potentiometer 2
- J519 Onboard supply control unit
- J623 Engine control unit
- T5d 5-pin connector
- T6k 6-pin connector
- T60a 60-pin connector
- V338 Exhaust gas recirculation control motor
- V339 Exhaust gas recirculation control motor 2

458 Earth point 3, engine prewiring harness

D174 Connection 2 (5V) in engine prewiring harness



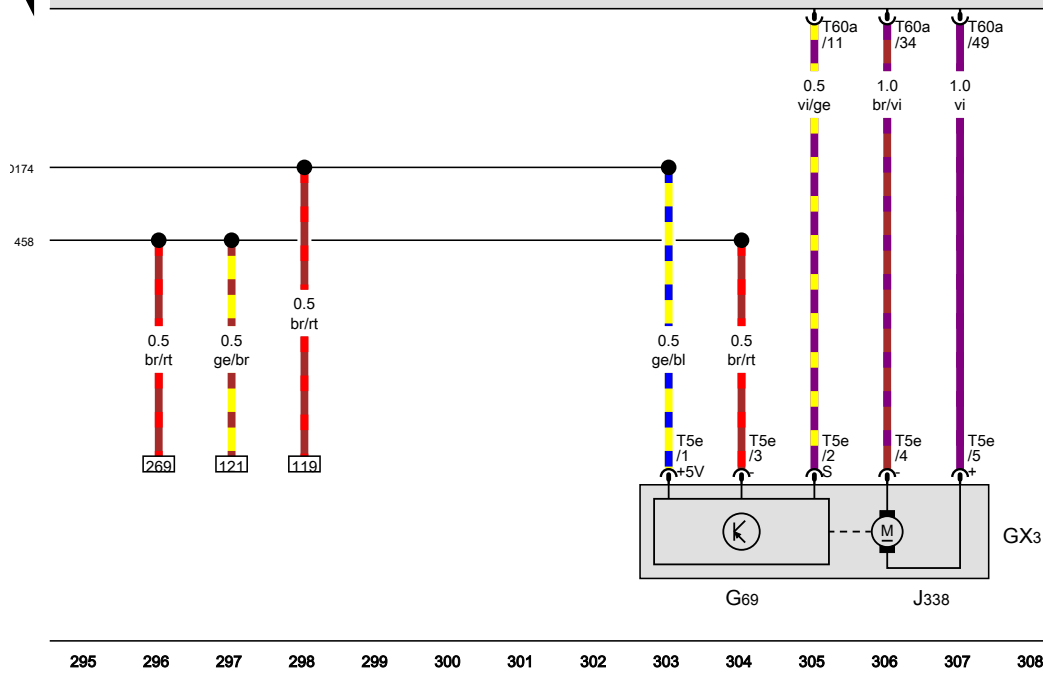
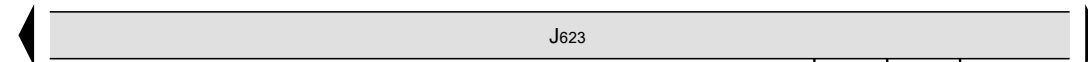
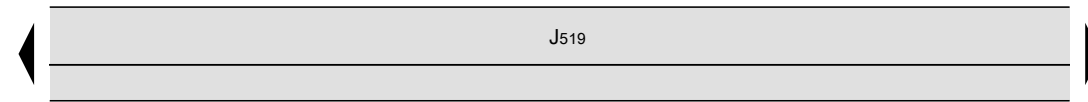
- ws = white
- sw = black
- ro = red
- rt = red
- br = brown
- gn = green
- bl = blue
- gr = grey
- li = purple
- vi = purple
- ge = yellow
- or = orange
- rs = pink

Throttle valve module, Engine control unit

- GX3 Throttle valve module
- G69 Throttle valve potentiometer
- J338 Throttle valve module
- J519 Onboard supply control unit
- J623 Engine control unit
- T5e 5-pin connector
- T60a 60-pin connector

458 Earth point 3, engine prewiring harness

D174 Connection 2 (5V) in engine prewiring harness



- ws = white
- sw = black
- ro = red
- rt = red
- br = brown
- gn = green
- bl = blue
- gr = grey
- li = purple
- vi = purple
- ge = yellow
- or = orange
- rs = pink

[NH0-008230216]

Oil pressure switch, Oil pressure switch for reduced oil pressure, Oil level and oil temperature sender, Engine control unit, Heater element for crankcase breather

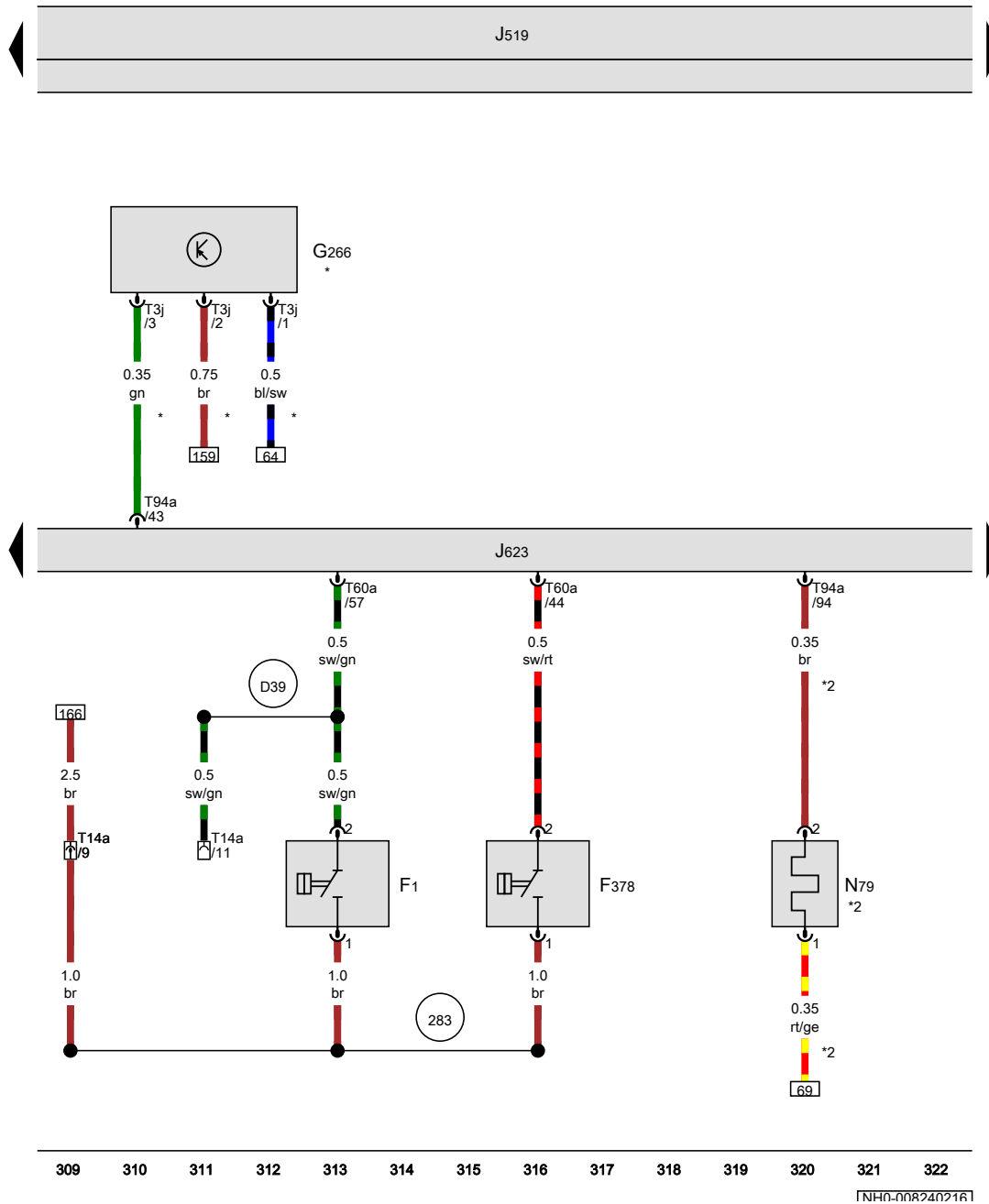
- F1 Oil pressure switch
- F378 Oil pressure switch for reduced oil pressure
- G266 Oil level and oil temperature sender
- J519 Onboard supply control unit
- J623 Engine control unit
- N79 Heater element for crankcase breather
- T3j 3-pin connector
- T14a 14-pin connector, front left in engine compartment
- T60a 60-pin connector
- T94a 94-pin connector

283 Earth point 2, engine prewiring harness

D39 Connection 1, in engine prewiring harness

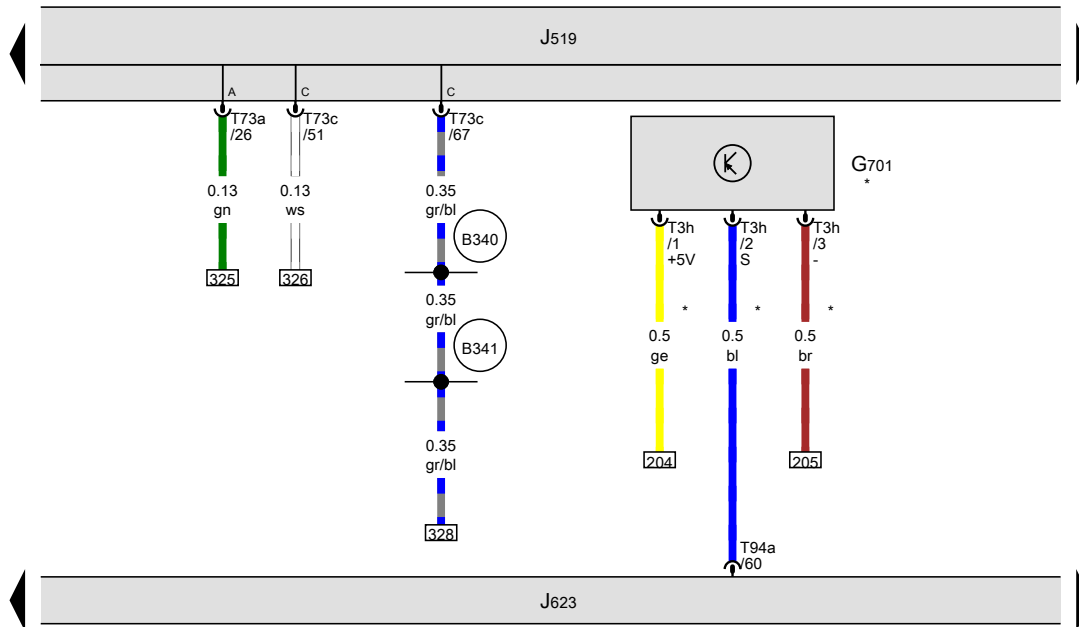
* Only models with extended servicing intervals (ESI)

*2 Special equipment



- ws = white
- sw = black
- ro = red
- rt = red
- br = brown
- gn = green
- bl = blue
- gr = grey
- li = purple
- vi = purple
- ge = yellow
- or = orange
- rs = pink

Centre switch module in dash panel, Start/Stop operation button, Gearbox neutral position sender, Engine control unit

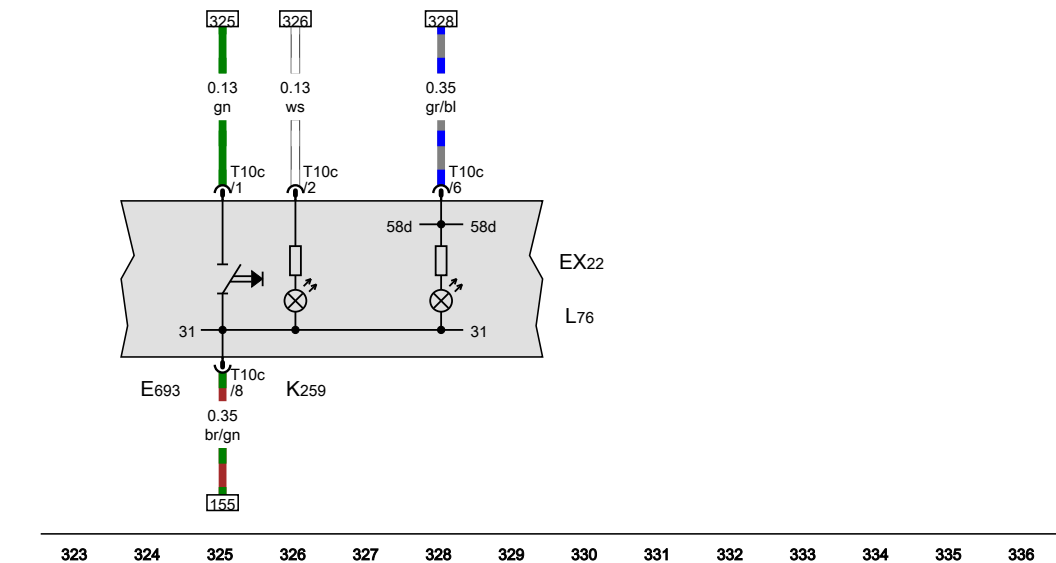


- EX22 Centre switch module in dash panel
- E693 Start/Stop operation button
- G701 Gearbox neutral position sender
- J519 Onboard supply control unit
- J623 Engine control unit
- K259 Start/Stop operation warning lamp
- L76 Button illumination bulb
- T3h 3-pin connector
- T10c 10-pin connector, black
- T73a 73-pin connector, black
- T73c 73-pin connector, black
- T94a 94-pin connector

B340 Connection 1 (58d), in main wiring harness

B341 Connection 2 (58d), in main wiring harness

* Only models with manual gearbox



- ws = white
- sw = black
- ro = red
- rt = red
- br = brown
- gn = green
- bl = blue
- gr = grey
- li = purple
- vi = purple
- ge = yellow
- or = orange
- rs = pink

323 324 325 326 327 328 329 330 331 332 333 334 335 336

[NH0-008250216]

Fuel delivery unit, Fuel pump relay, Engine control unit

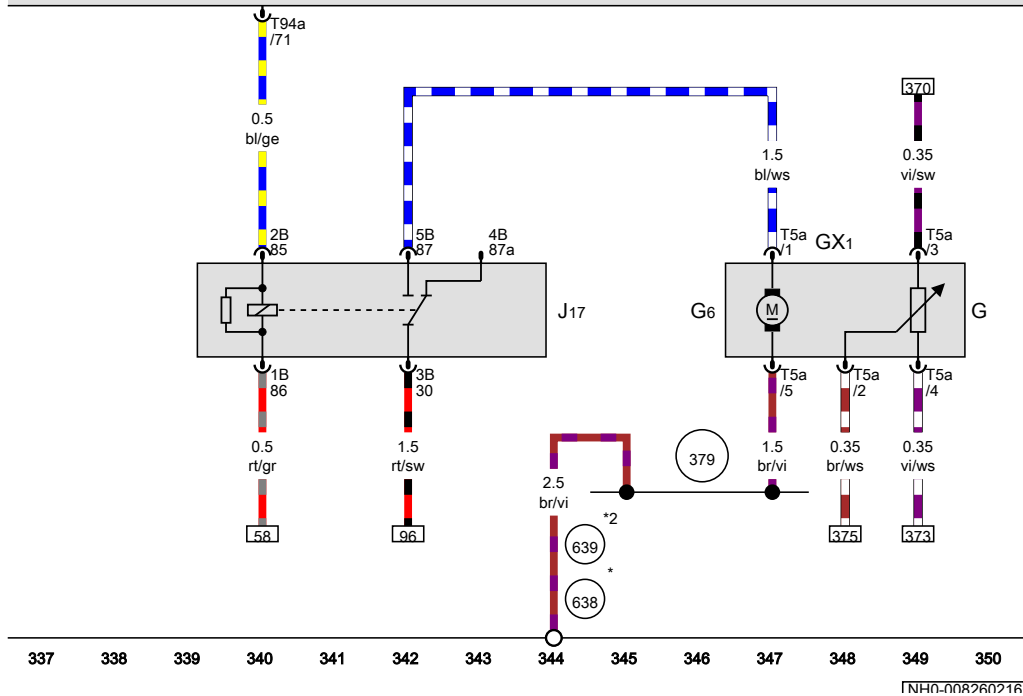
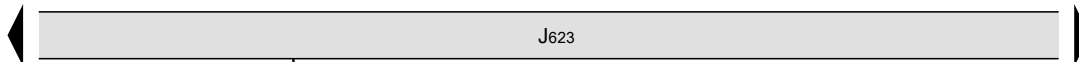
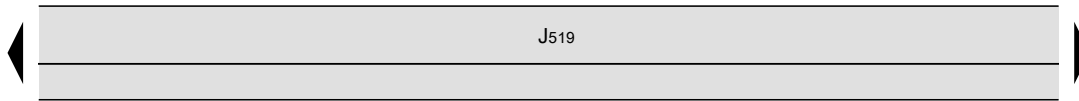
- G Fuel gauge sender
- GX1 Fuel delivery unit
- G6 Fuel system pressurisation pump
- J17 Fuel pump relay
- J519 Onboard supply control unit
- J623 Engine control unit
- T5a 5-pin connector
- T94a 94-pin connector

379 Earth connection 14, in main wiring harness

638 Earth point, on right A-pillar

639 Earth point, left A-pillar

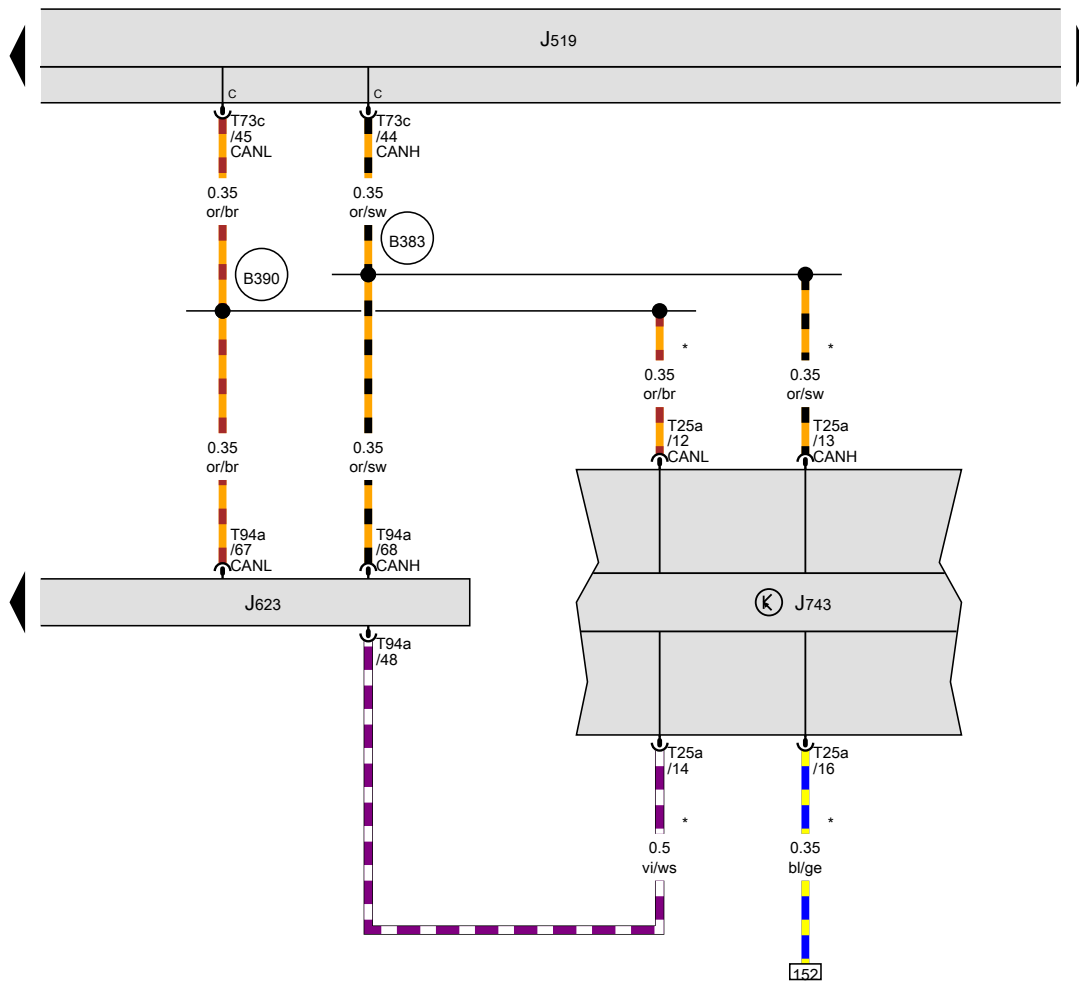
* Only left-hand drive models
 *2 Only right-hand drive models



- ws = white
- sw = black
- ro = red
- rt = red
- br = brown
- gn = green
- bl = blue
- gr = grey
- li = purple
- vi = purple
- ge = yellow
- or = orange
- rs = pink

[NH0-000260216]

Engine control unit, Mechatronic unit for dual clutch gearbox



- J519 Onboard supply control unit
- J623 Engine control unit
- J743 Mechatronic unit for dual clutch gearbox
- T25a 25-pin connector
- T73c 73-pin connector, black
- T94a 94-pin connector

B383 Connection 1 (powertrain CAN bus, high), in main wiring harness

B390 Connection 1 (powertrain CAN bus, low), in main wiring harness

* Only models with automatic gearbox

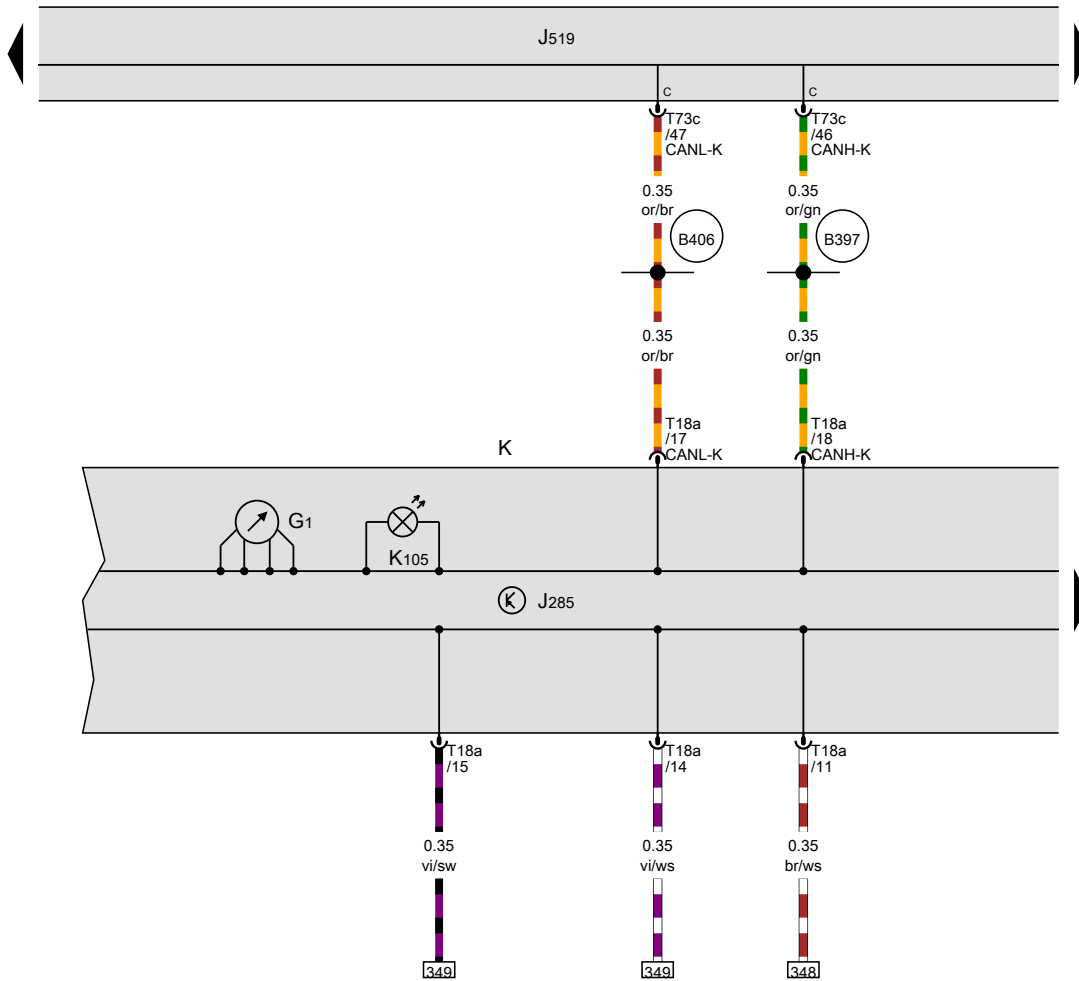
- ws = white
- sw = black
- ro = red
- rt = red
- br = brown
- gn = green
- bl = blue
- gr = grey
- li = purple
- vi = purple
- ge = yellow
- or = orange
- rs = pink

351 352 353 354 355 356 357 358 359 360 361 362 363 364

[NH0-008270216]

Fuel gauge, Dash panel insert

- G1 Fuel gauge
- J285 Control unit in dash panel insert
- J519 Onboard supply control unit
- K Dash panel insert
- K105 Reserve fuel warning lamp
- T18a 18-pin connector
- T73c 73-pin connector, black
- B397** Connection 1 (convenience CAN bus, high), in main wiring harness
- B406** Connection 1 (convenience CAN bus, low), in main wiring harness



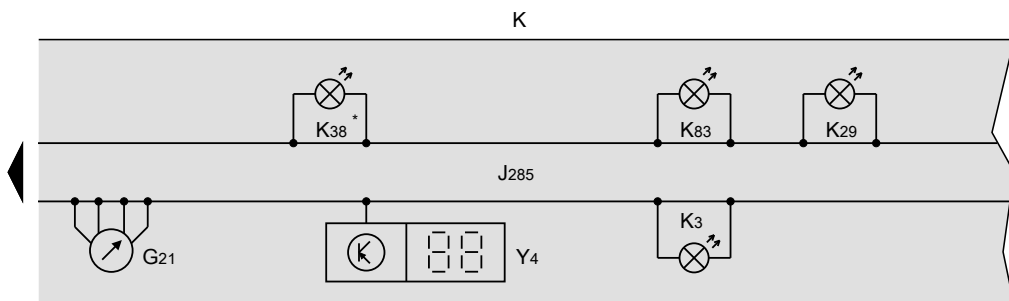
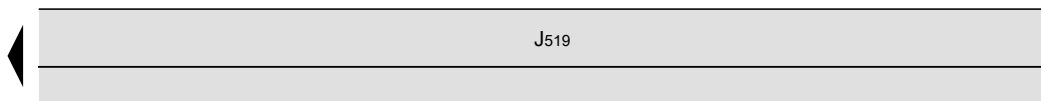
- ws = white
- sw = black
- ro = red
- rt = red
- br = brown
- gn = green
- bl = blue
- gr = grey
- li = purple
- vi = purple
- ge = yellow
- or = orange
- rs = pink

365 366 367 368 369 370 371 372 373 374 375 376 377 378

[NH0-008280216]

Speedometer, Dash panel insert, Trip counter

- G21 Speedometer
- J285 Control unit in dash panel insert
- J519 Onboard supply control unit
- K Dash panel insert
- K3 Oil pressure warning lamp
- K29 Glow period warning lamp
- K38 Oil level warning lamp
- K83 Exhaust emissions warning lamp
- Y4 Trip counter
- * Only models with extended servicing intervals (ESI)



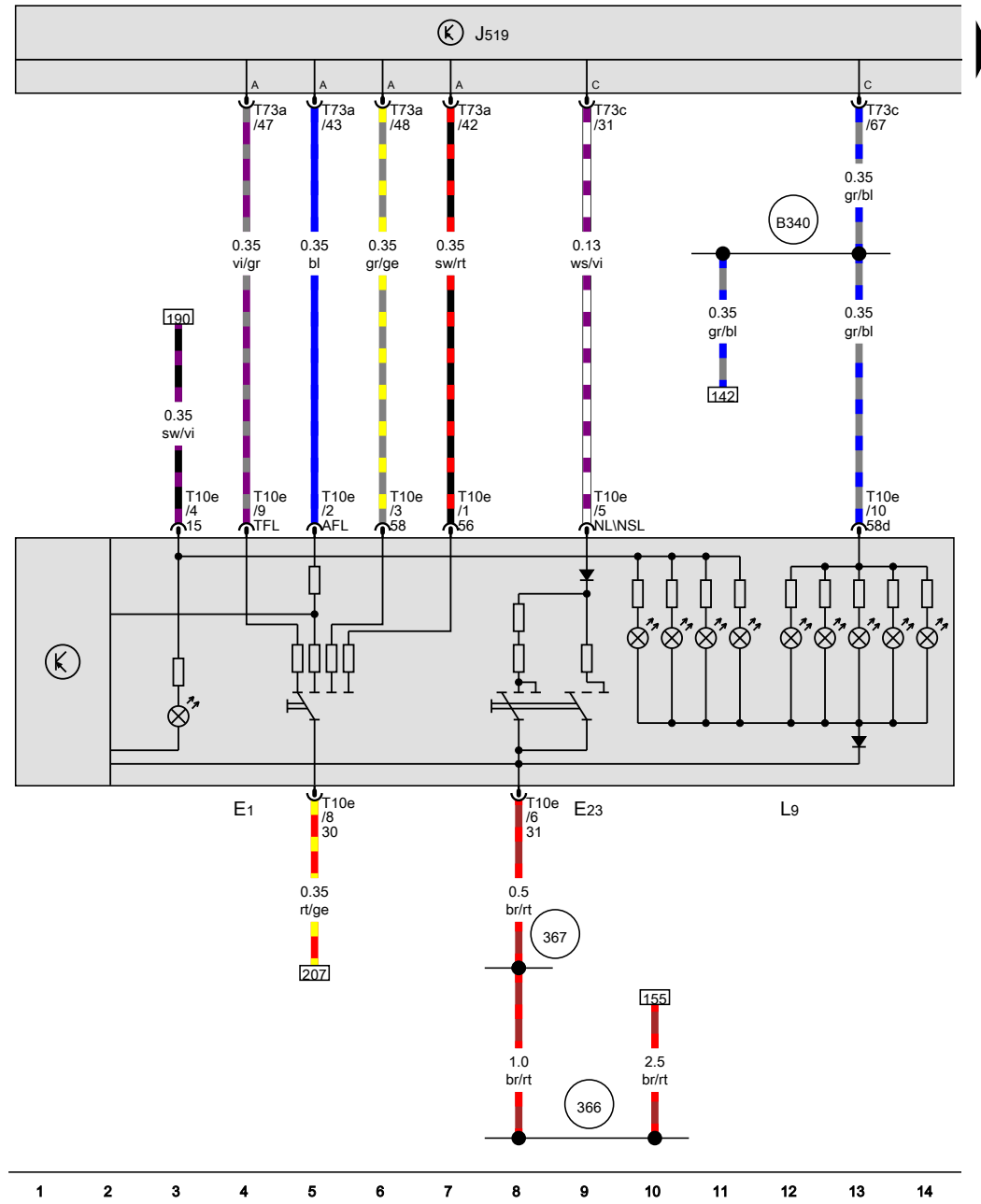
379 380 381 382 383 384 385 386 387 388 389 390 391 392

[NH0-008290216]

- ws = white
- sw = black
- ro = red
- rt = red
- br = brown
- gn = green
- bl = blue
- gr = grey
- li = purple
- vi = purple
- ge = yellow
- or = orange
- rs = pink

Exterior lighting , (K8B),(L0L)

From May 2015



Light switch

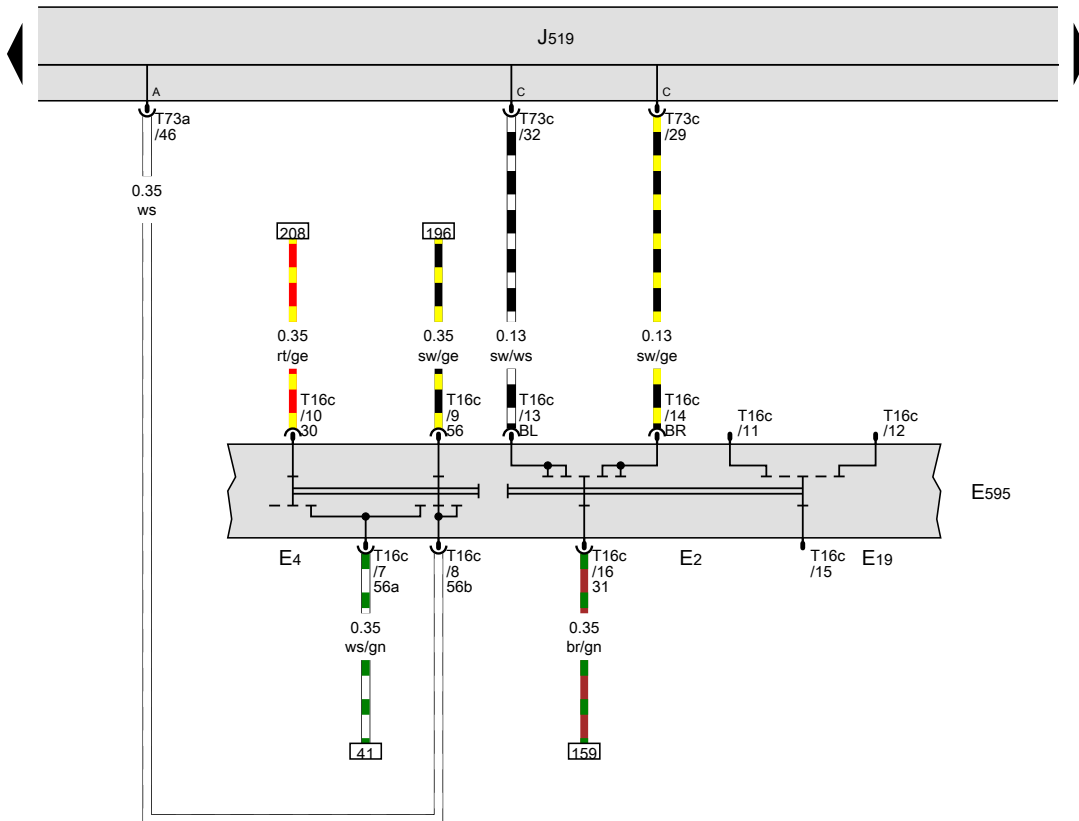
- E1 Light switch
- E23 Front and rear fog light switch
- J519 Onboard supply control unit
- L9 Light switch illumination bulb
- T10e 10-pin connector
- T73a 73-pin connector, black
- T73c 73-pin connector, black
- 366 Earth connection 1, in main wiring harness
- 367 Earth connection 2, in main wiring harness
- B340 Connection 1 (58d), in main wiring harness

- ws = white
- sw = black
- ro = red
- rt = red
- br = brown
- gn = green
- bl = blue
- gr = grey
- li = purple
- vi = purple
- ge = yellow
- or = orange
- rs = pink

[NH0-009020216]

Turn signal switch, Headlight dipper and flasher switch, Parking light switch, Steering column combination switch

- E2 Turn signal switch
- E4 Headlight dipper and flasher switch
- E19 Parking light switch
- E595 Steering column combination switch
- J519 Onboard supply control unit
- T16c 16-pin connector
- T73a 73-pin connector, black
- T73c 73-pin connector, black

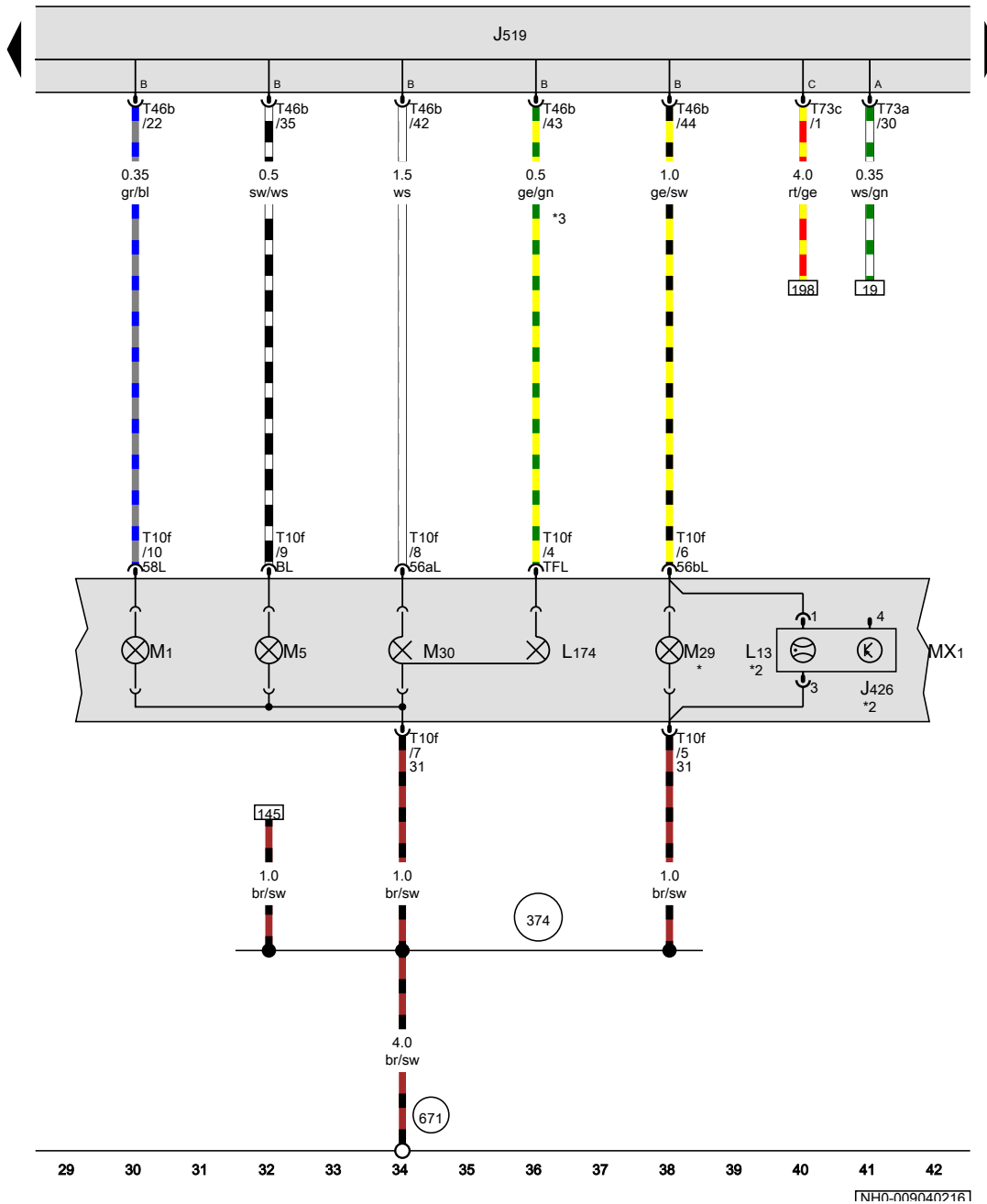


- ws = white
- sw = black
- ro = red
- rt = red
- br = brown
- gn = green
- bl = blue
- gr = grey
- li = purple
- vi = purple
- ge = yellow
- or = orange
- rs = pink

15 16 17 18 19 20 21 22 23 24 25 26 27 28

[NH0-009030216]

Front left headlight



- J426 Left headlight starter for gas discharge light
- J519 Onboard supply control unit
- L13 Left gas discharge (xenon) bulb
- L174 Left daytime running light bulb
- MX1 Front left headlight
- M1 Left side light bulb
- M5 Front left turn signal bulb
- M29 Left headlight dipped beam bulb
- M30 Left headlight main beam bulb
- T10f 10-pin connector
- T46b 46-pin connector, brown
- T73a 73-pin connector, black
- T73c 73-pin connector, black

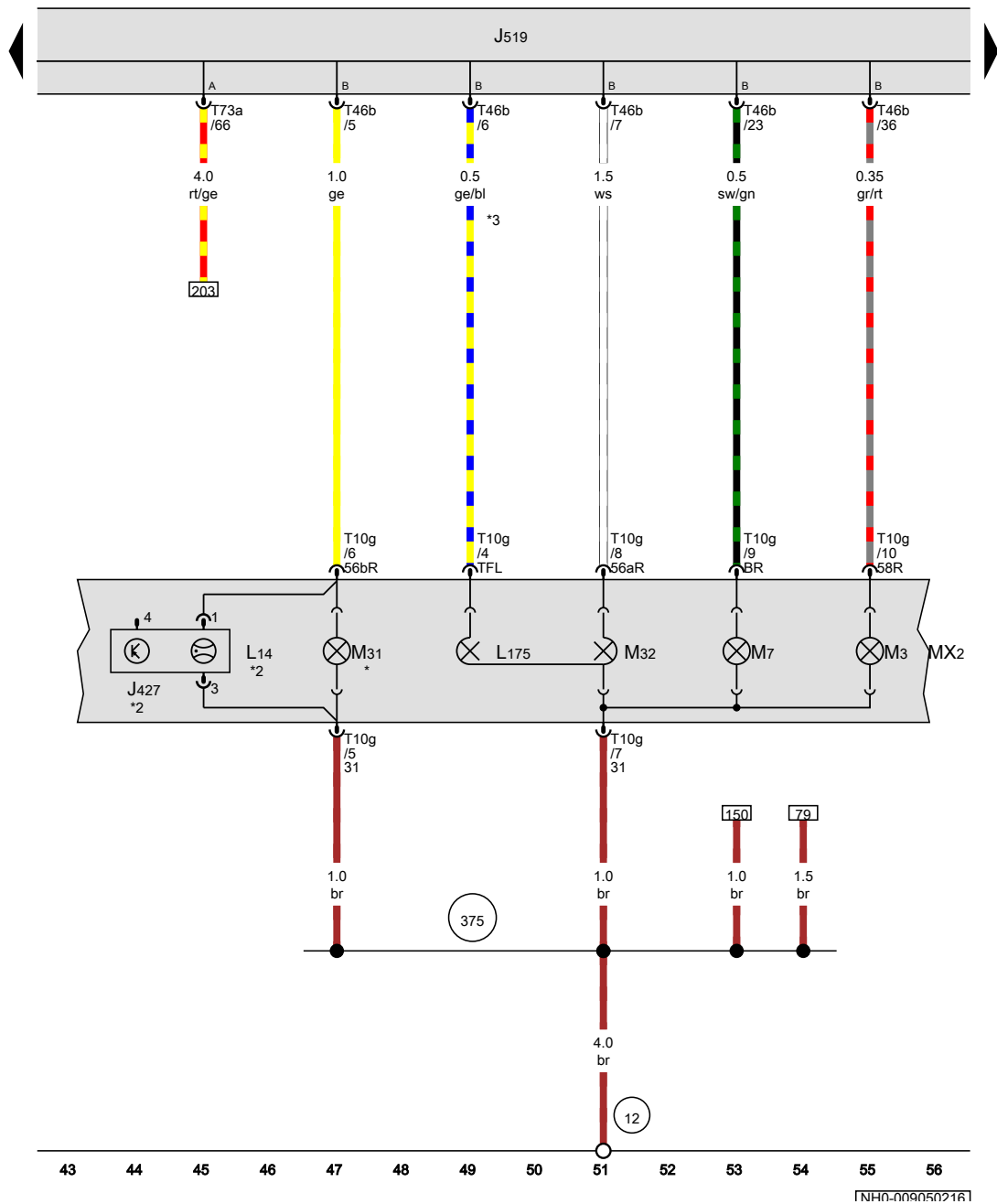
- 374 Earth connection 9, in main wiring harness
- 671 Earth point 1, on front of left longitudinal member
- * Only models with halogen headlights
- *2 Only models with xenon headlights
- *3 Only models with daytime running lights

- ws = white
- sw = black
- ro = red
- rt = red
- br = brown
- gn = green
- bl = blue
- gr = grey
- li = purple
- vi = purple
- ge = yellow
- or = orange
- rs = pink

Front right headlight

- J427 Right headlight starter for gas discharge light
- J519 Onboard supply control unit
- L14 Right gas discharge (xenon) bulb
- L175 Right daytime running light bulb
- MX2 Front right headlight
- M3 Right side light bulb
- M7 Front right turn signal bulb
- M31 Right headlight dipped beam bulb
- M32 Right headlight main beam bulb
- T10g 10-pin connector
- T46b 46-pin connector, brown
- T73a 73-pin connector, black

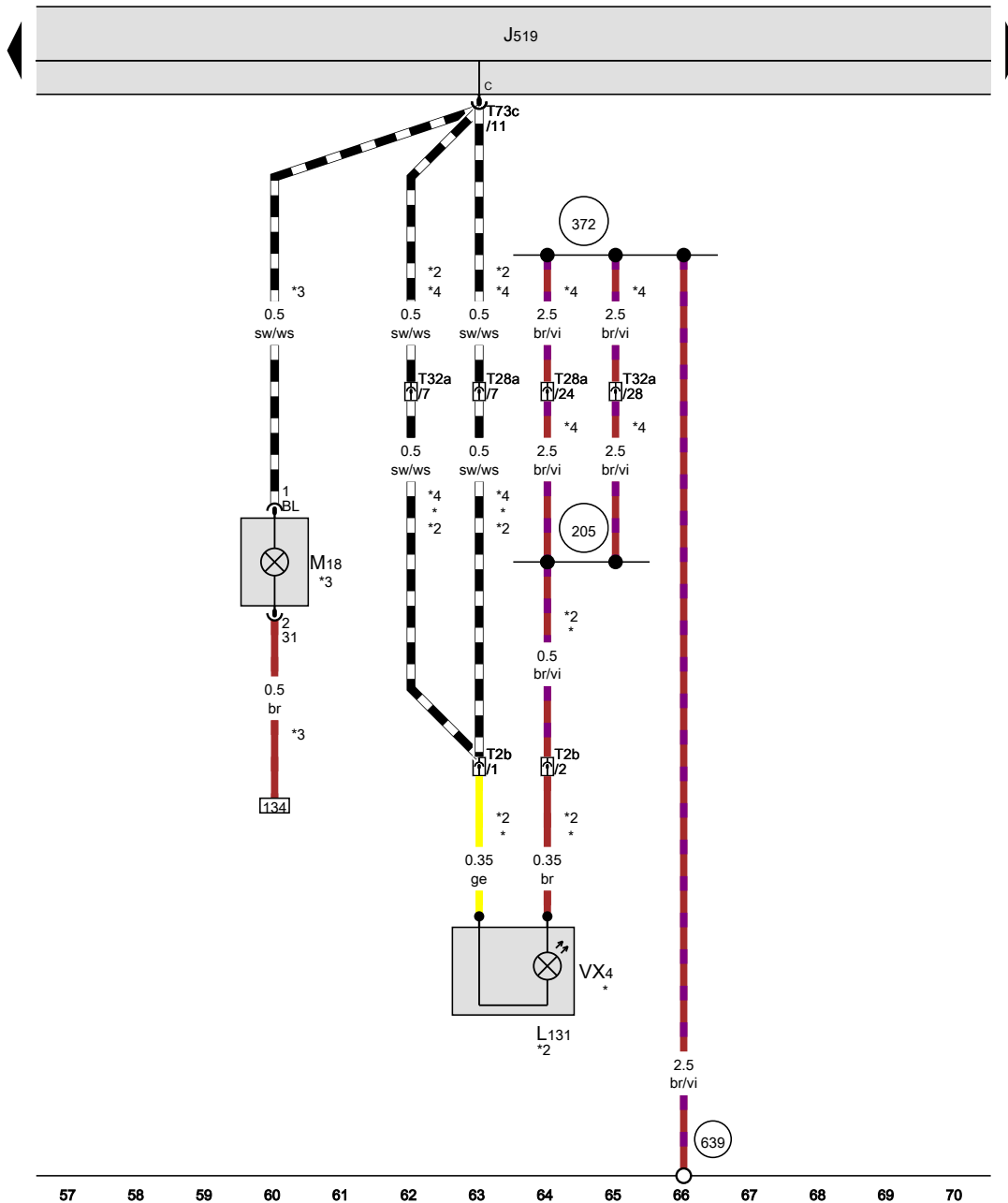
- 12 Earth point, on left in engine compartment
- 375 Earth connection 10, in main wiring harness
- * Only models with halogen headlights
- *2 Only models with xenon headlights
- *3 Only models with daytime running lights



- ws = white
- sw = black
- ro = red
- rt = red
- br = brown
- gn = green
- bl = blue
- gr = grey
- li = purple
- vi = purple
- ge = yellow
- or = orange
- rs = pink

1NH0-0090502161

Left turn signal repeater bulb, Driver side exterior mirror



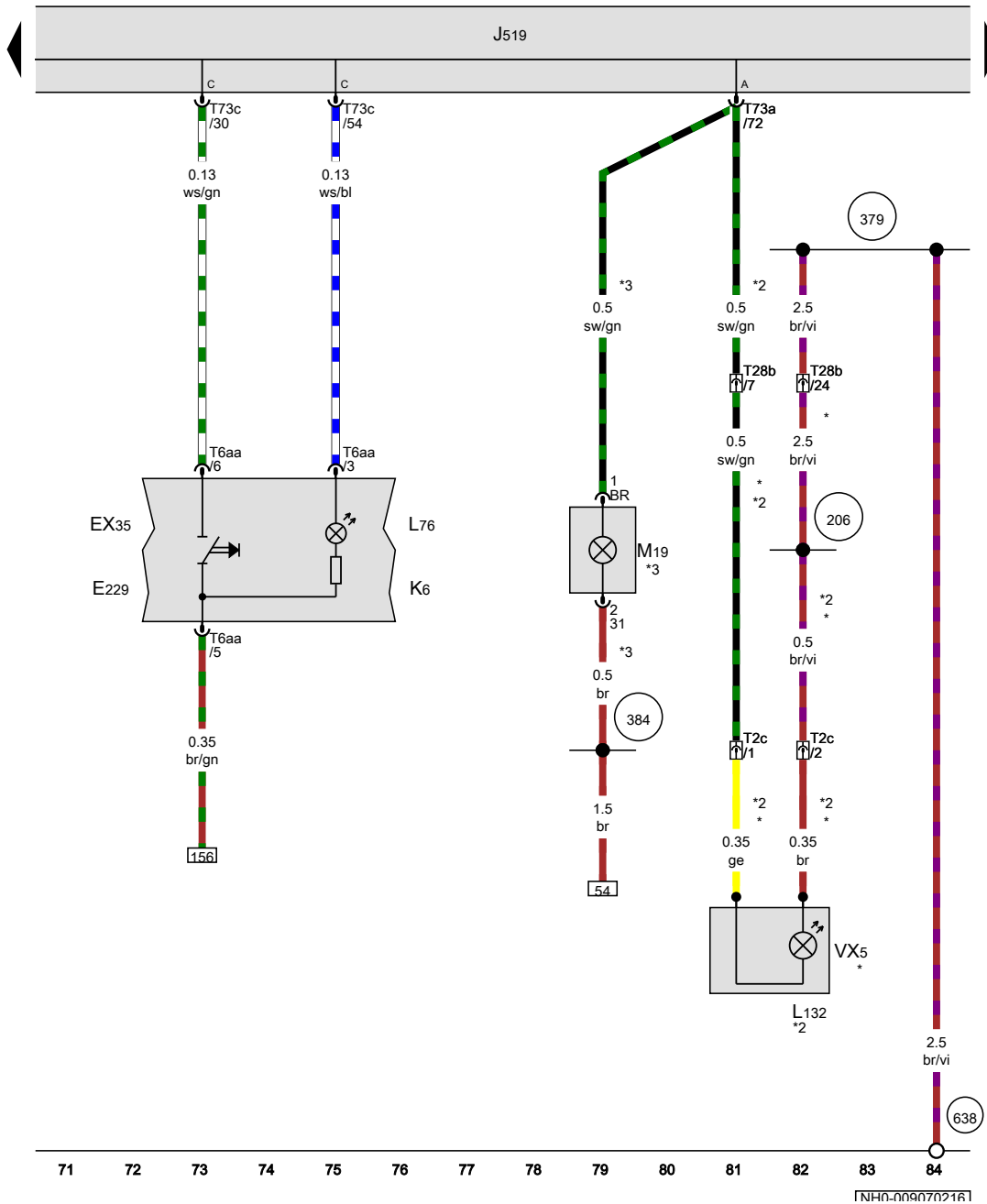
- J519 Onboard supply control unit
- L131 Driver side turn signal repeater bulb
- M18 Left turn signal repeater bulb
- T2b 2-pin connector
- T28a 28-pin connector, on left A-pillar
- T32a 32-pin connector, on left A-pillar
- T73c 73-pin connector, black
- VX4 Driver side exterior mirror

- (205) Earth connection, in driver door wiring harness
- (372) Earth connection 7, in main wiring harness
- (639) Earth point, left A-pillar

- * Only models with no electrically adjustable exterior mirrors
- *2 Not for models with equipment for Russia
- *3 Only models with equipment for Russia
- *4 According to equipment

- ws = white
- sw = black
- ro = red
- rt = red
- br = brown
- gn = green
- bl = blue
- gr = grey
- li = purple
- vi = purple
- ge = yellow
- or = orange
- rs = pink

1NH0-009060216



Centre switch module 2 in dash panel, Hazard warning lights button, Right turn signal repeater bulb, Front passenger side exterior mirror

- EX35 Centre switch module 2 in dash panel
- E229 Hazard warning lights button
- J519 Onboard supply control unit
- K6 Indicator lamp for hazard warning light
- L76 Button illumination bulb
- L132 Front passenger side turn signal repeater bulb
- M19 Right turn signal repeater bulb
- T2c 2-pin connector
- T6aa 6-pin connector
- T28b 28-pin connector, on right A-pillar
- T73a 73-pin connector, black
- T73c 73-pin connector, black
- VX5 Front passenger side exterior mirror
- 206 Earth connection, in front passenger door wiring harness
- 379 Earth connection 14, in main wiring harness
- 384 Earth connection 19, in main wiring harness
- 638 Earth point, on right A-pillar
- * Only models with no electrically adjustable exterior mirrors
- *2 Not for models with equipment for Russia
- *3 Only models with equipment for Russia

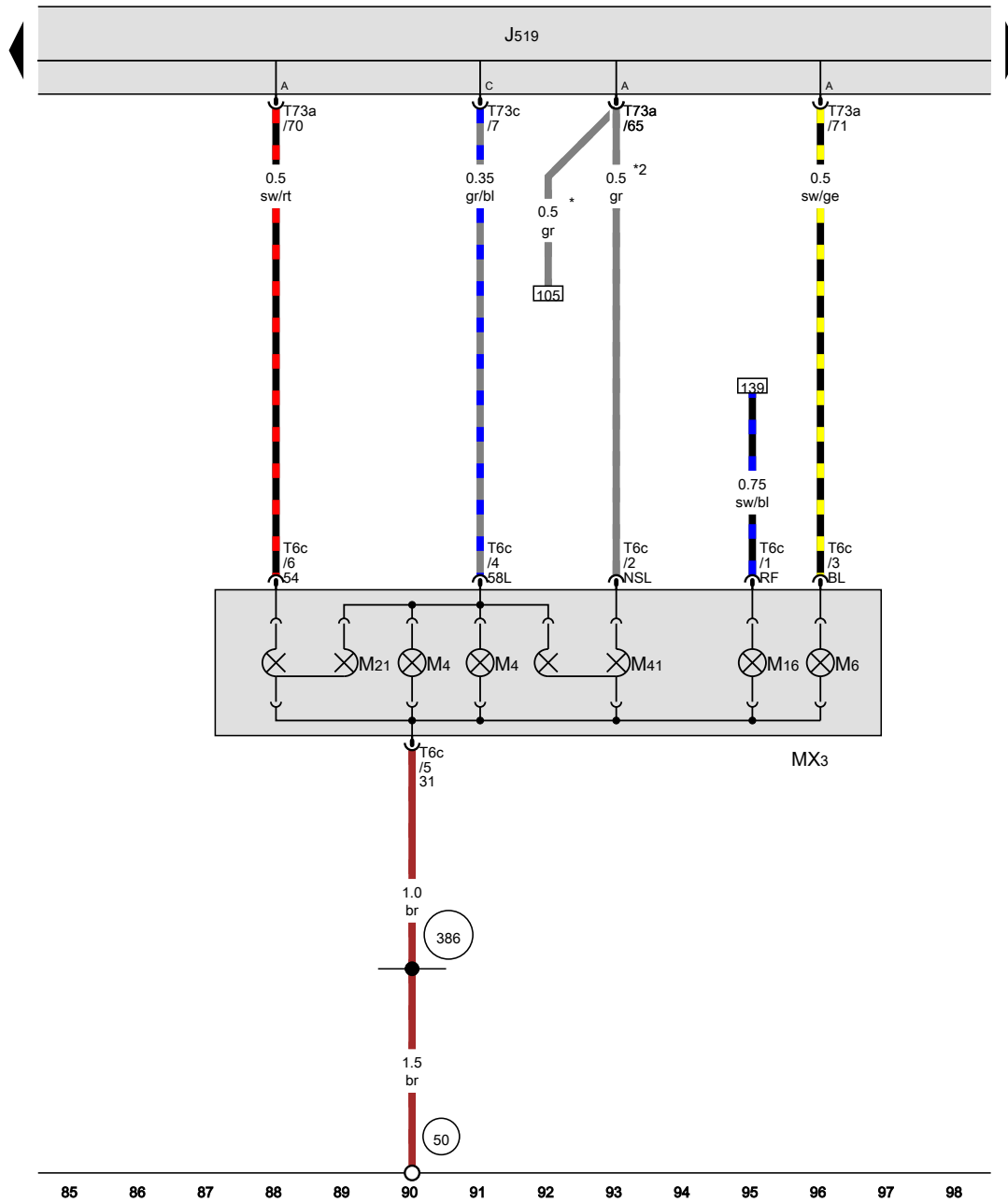
- ws = white
- sw = black
- ro = red
- rt = red
- br = brown
- gn = green
- bl = blue
- gr = grey
- li = purple
- vi = purple
- ge = yellow
- or = orange
- rs = pink

[NH0-009070216]

Left tail light

- J519 Onboard supply control unit
- MX3 Left tail light
- M4 Left tail light bulb
- M6 Rear left turn signal bulb
- M16 Left reversing light bulb
- M21 Left brake and tail light bulb
- M41 Left tail light and rear fog light bulb
- T6c 6-pin connector
- T73a 73-pin connector, black
- T73c 73-pin connector, black

- 50 Earth point, on left in luggage compartment
- 386 Earth connection 21, in main wiring harness
- * Only right-hand drive models
- *2 Only left-hand drive models



- ws = white
- sw = black
- ro = red
- rt = red
- br = brown
- gn = green
- bl = blue
- gr = grey
- li = purple
- vi = purple
- ge = yellow
- or = orange
- rs = pink

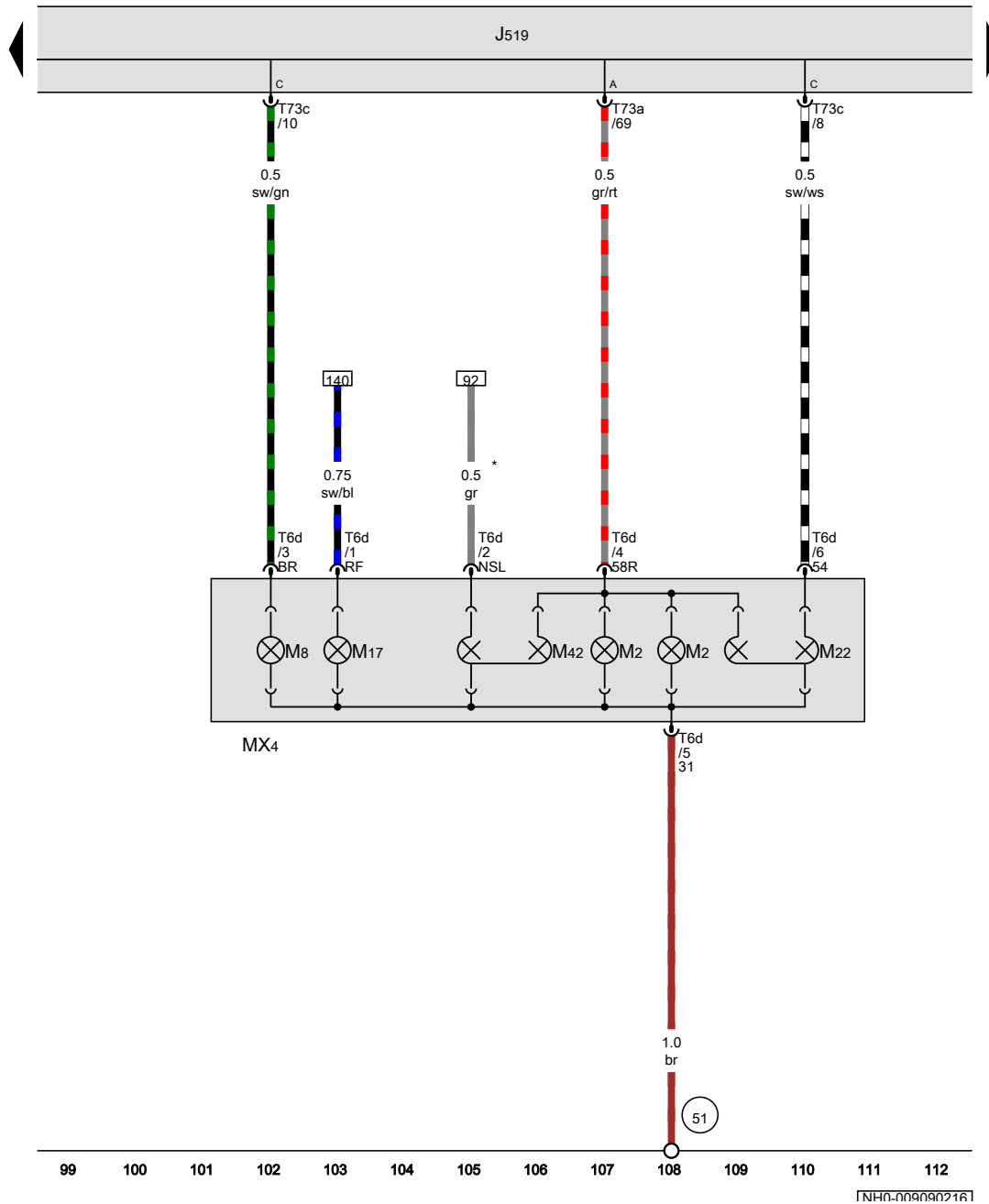
1NH0-0090002161

Right tail light

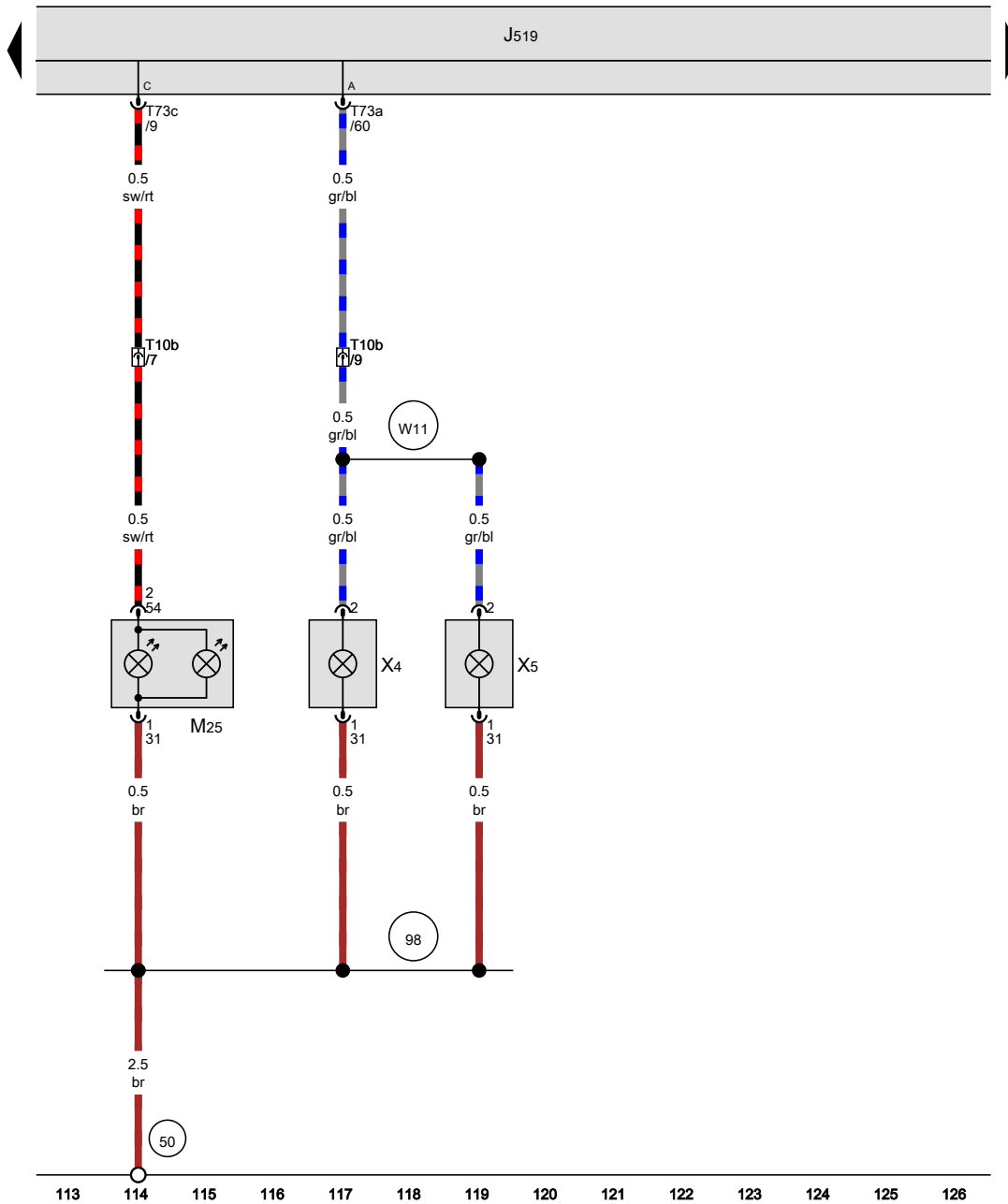
- J519 Onboard supply control unit
- M2 Right tail light bulb
- MX4 Right tail light
- M8 Rear right turn signal bulb
- M17 Right reversing light bulb
- M22 Right brake and tail light bulb
- M42 Right tail light and rear fog light bulb
- T6d 6-pin connector
- T73a 73-pin connector, black
- T73c 73-pin connector, black

51 Earth point, on right in luggage compartment

* Only right-hand drive models



- ws = white
- sw = black
- ro = red
- rt = red
- br = brown
- gn = green
- bl = blue
- gr = grey
- li = purple
- vi = purple
- ge = yellow
- or = orange
- rs = pink



High-level brake light bulb, Left number plate light, Right number plate light

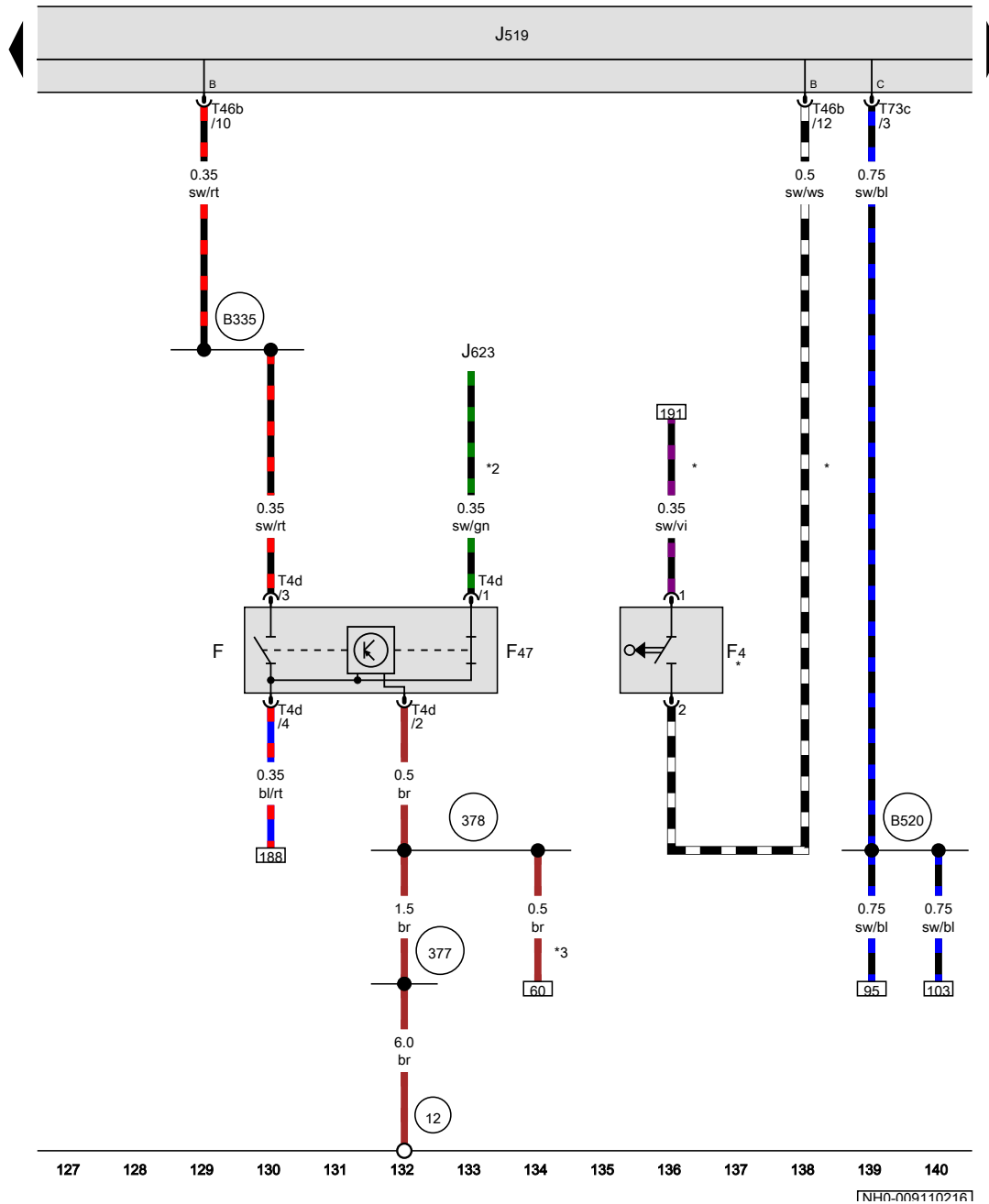
- J519 Onboard supply control unit
- M25 High-level brake light bulb
- T10b 10-pin connector
- T73a 73-pin connector, black
- T73c 73-pin connector, black
- X4 Left number plate light
- X5 Right number plate light

- (50) Earth point, on left in luggage compartment
- (98) Earth connection, in rear lid wiring harness
- (W11) Connection (58), in rear lid wiring harness

- ws = white
- sw = black
- ro = red
- rt = red
- br = brown
- gn = green
- bl = blue
- gr = grey
- li = purple
- vi = purple
- ge = yellow
- or = orange
- rs = pink

[NH0-009100216]

Reversing light switch, Brake pedal switch

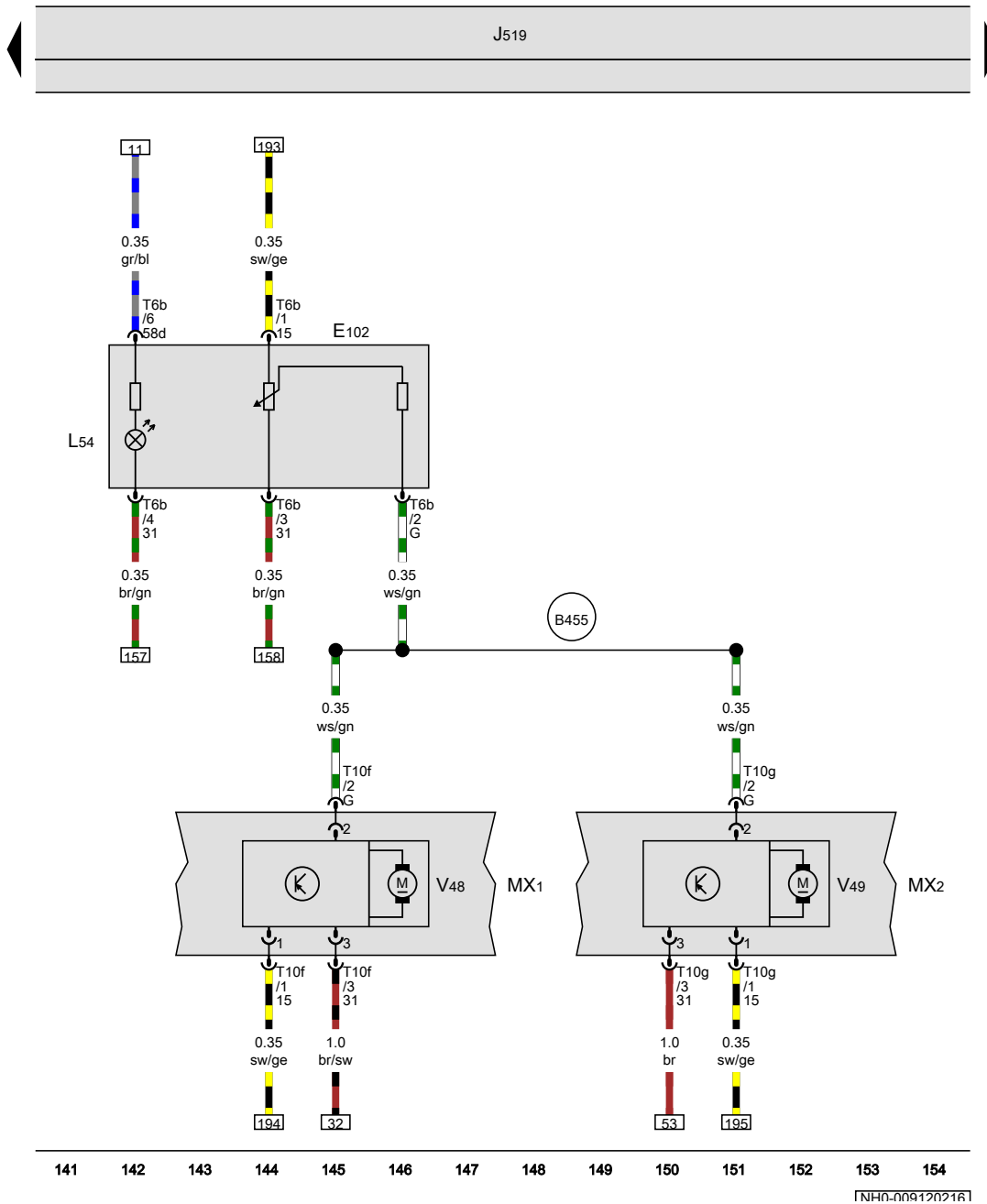


- F Brake light switch
- F4 Reversing light switch
- F47 Brake pedal switch
- J519 Onboard supply control unit
- J623 Engine control unit
- T4d 4-pin connector
- T46b 46-pin connector, brown
- T73c 73-pin connector, black
- 12 Earth point, on left in engine compartment
- 377 Earth connection 12, in main wiring harness
- 378 Earth connection 13, in main wiring harness
- B335 Connection 1 (54), in main wiring harness
- B520 Connection (RL), in main wiring harness
- * Only models with manual gearbox
- *2 see applicable current flow diagram for engine
- *3 Only models with equipment for Russia

- ws = white
- sw = black
- ro = red
- rt = red
- br = brown
- gn = green
- bl = blue
- gr = grey
- li = purple
- vi = purple
- ge = yellow
- or = orange
- rs = pink

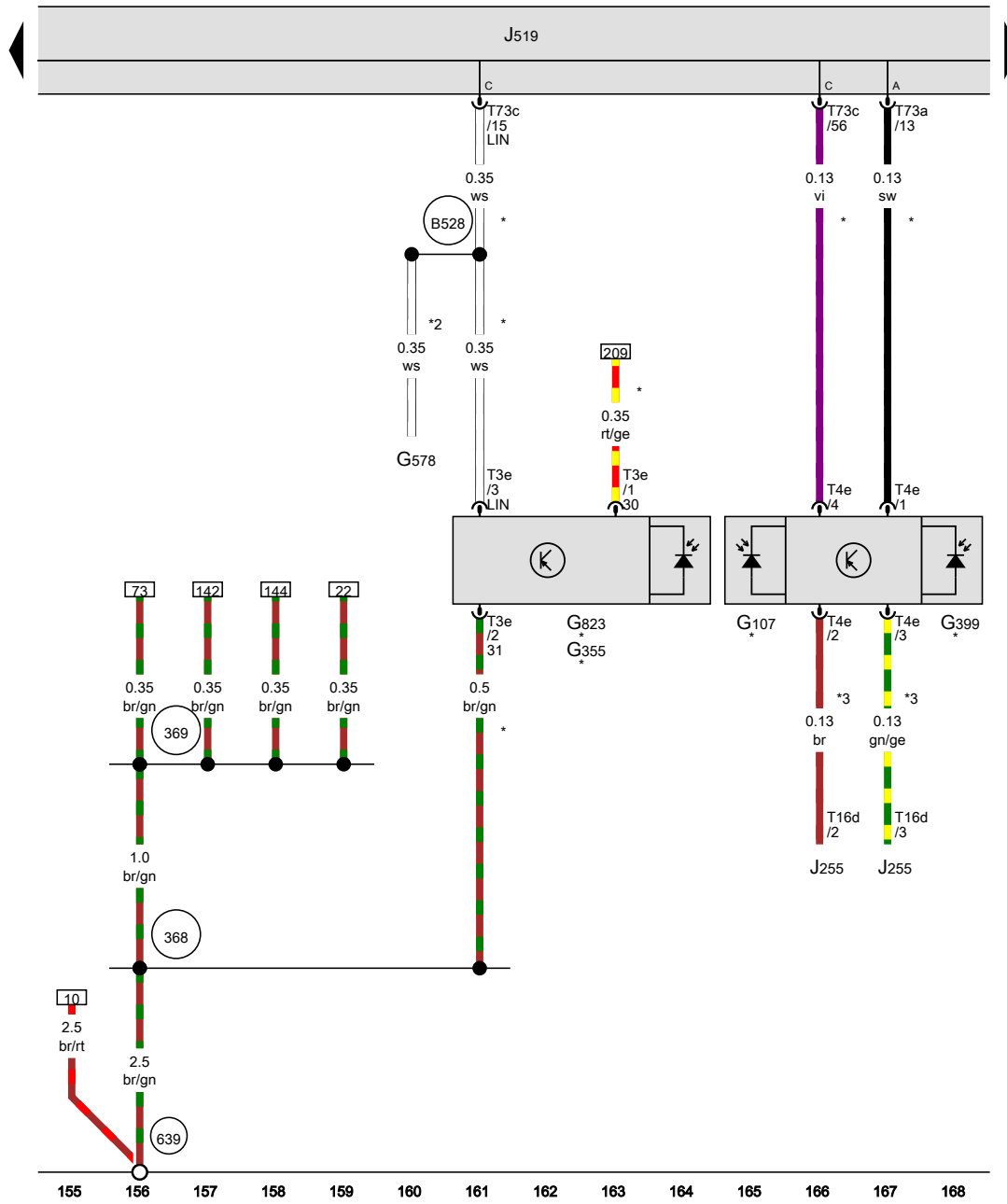
Headlight range control regulator, Left headlight range control motor, Right headlight range control motor

- E102 Headlight range control regulator
- J519 Onboard supply control unit
- L54 Headlight range control regulator illumination bulb
- MX1 Front left headlight
- MX2 Front right headlight
- T6b 6-pin connector
- T10f 10-pin connector
- T10g 10-pin connector
- V48 Left headlight range control motor
- V49 Right headlight range control motor
- B455 Connection (HRC), in main wiring harness



- ws = white
- sw = black
- ro = red
- rt = red
- br = brown
- gn = green
- bl = blue
- gr = grey
- li = purple
- vi = purple
- ge = yellow
- or = orange
- rs = pink

1NH0-0091202161



Sunlight penetration photosensor, Humidity sender, Light sensor, Air humidity, rain and light sensor

- G107 Sunlight penetration photosensor
- G355 Humidity sender
- G399 Light sensor
- G578 Anti-theft alarm sensor
- G823 Air humidity, rain and light sensor
- J255 Climatronic control unit
- J519 Onboard supply control unit
- T3e 3-pin connector
- T4e 4-pin connector
- T16d 16-pin connector
- T73a 73-pin connector, black
- T73c 73-pin connector, black

- 368 Earth connection 3, in main wiring harness
- 369 Earth connection 4, in main wiring harness
- 639 Earth point, left A-pillar
- B528 Connection 1 (LIN bus) in main wiring harness

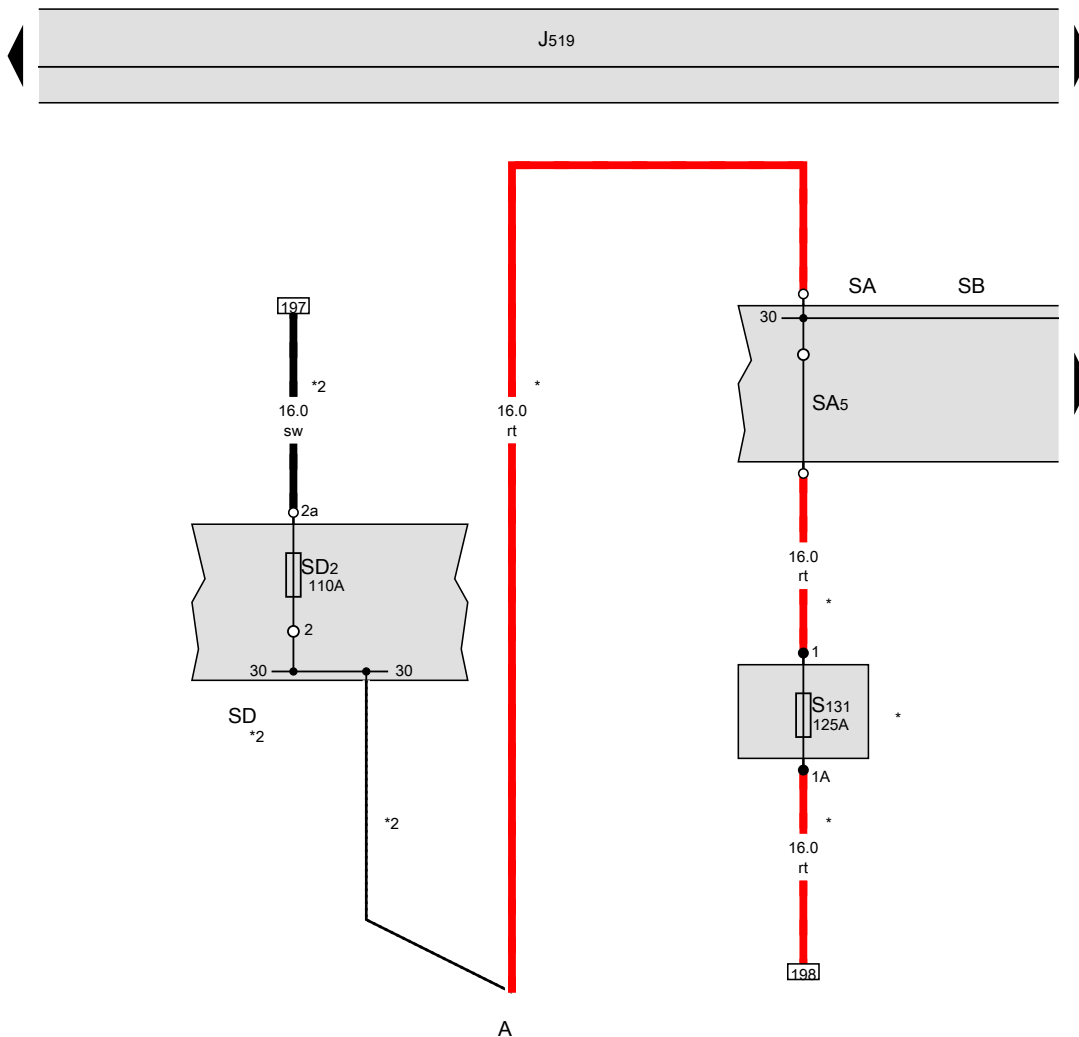
- * According to equipment
- *2 For models with anti-theft alarm system
- *3 Only models with Climatronic

- ws = white
- sw = black
- ro = red
- rt = red
- br = brown
- gn = green
- bl = blue
- gr = grey
- li = purple
- vi = purple
- ge = yellow
- or = orange
- rs = pink

[NH0-009130216]

Battery, Fuse holder A, Fuse holder B, Fuse holder D

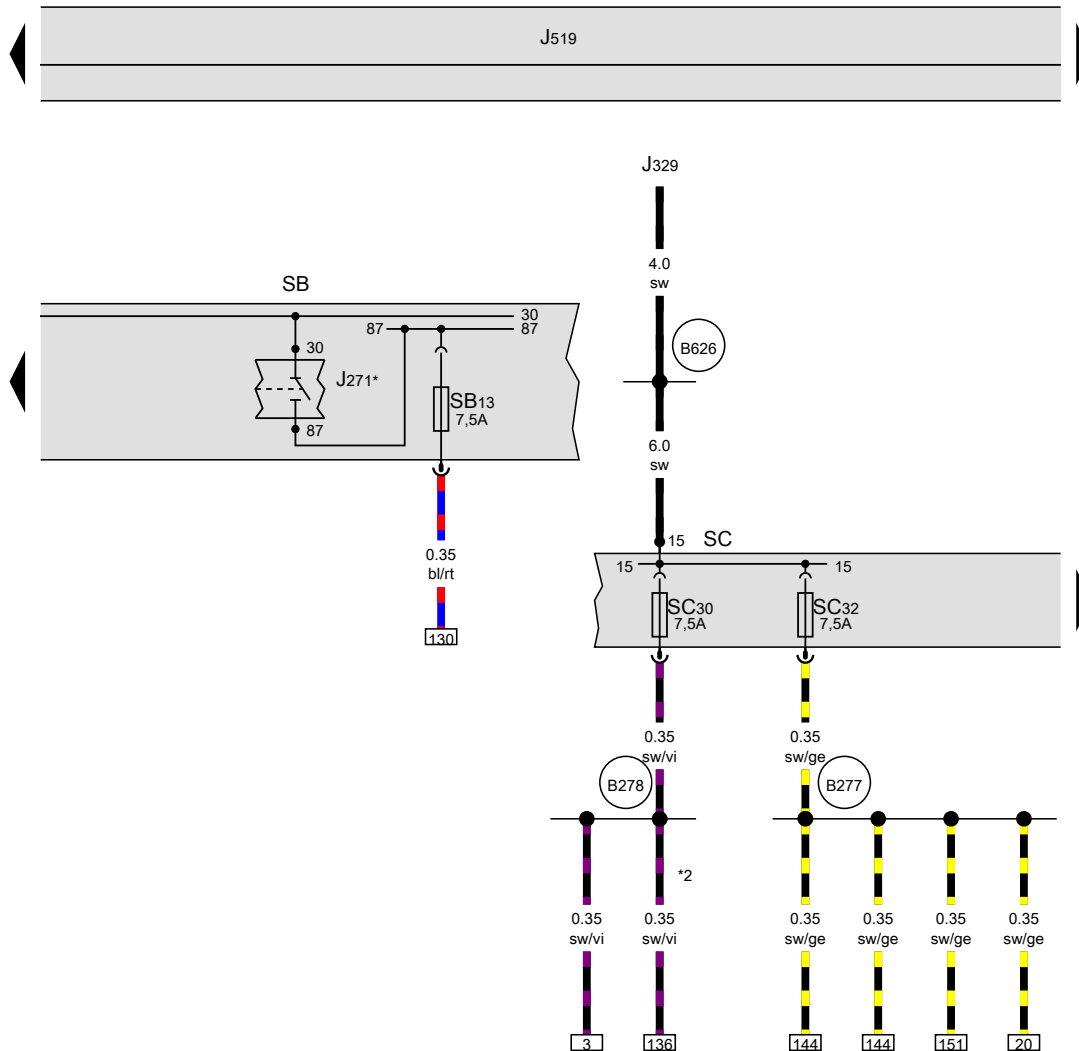
- A Battery
- J519 Onboard supply control unit
- SD2 Fuse 2 on fuse holder D
- SA5 Fuse 5 in fuse holder A
- S131 Fuse 1, in main wiring harness
- SA Fuse holder A
- SB Fuse holder B
- SD Fuse holder D
- * Only models with battery in engine compartment
- *2 Only models with battery in luggage compartment



- ws = white
- sw = black
- ro = red
- rt = red
- br = brown
- gn = green
- bl = blue
- gr = grey
- li = purple
- vi = purple
- ge = yellow
- or = orange
- rs = pink

169 170 171 172 173 174 175 176 177 178 179 180 181 182

[NH0-009140216]



Fuse holder B, Fuse holder C

- J271 Main relay
- J329 Terminal 15 voltage supply relay
- J519 Onboard supply control unit
- SB Fuse holder B
- SB13 Fuse 13 on fuse holder B
- SC Fuse holder C
- SC30 Fuse 30 on fuse holder C
- SC32 Fuse 32 on fuse holder C

B277 Positive connection 1 (15a) in main wiring harness

B278 Positive connection 2 (15a) in main wiring harness

B626 Positive connection 2 (15), in main wiring harness

* see applicable current flow diagram for engine

*2 Only models with manual gearbox

- ws = white
- sw = black
- ro = red
- rt = red
- br = brown
- gn = green
- bl = blue
- gr = grey
- li = purple
- vi = purple
- ge = yellow
- or = orange
- rs = pink

183 184 185 186 187 188 189 190 191 192 193 194 195 196

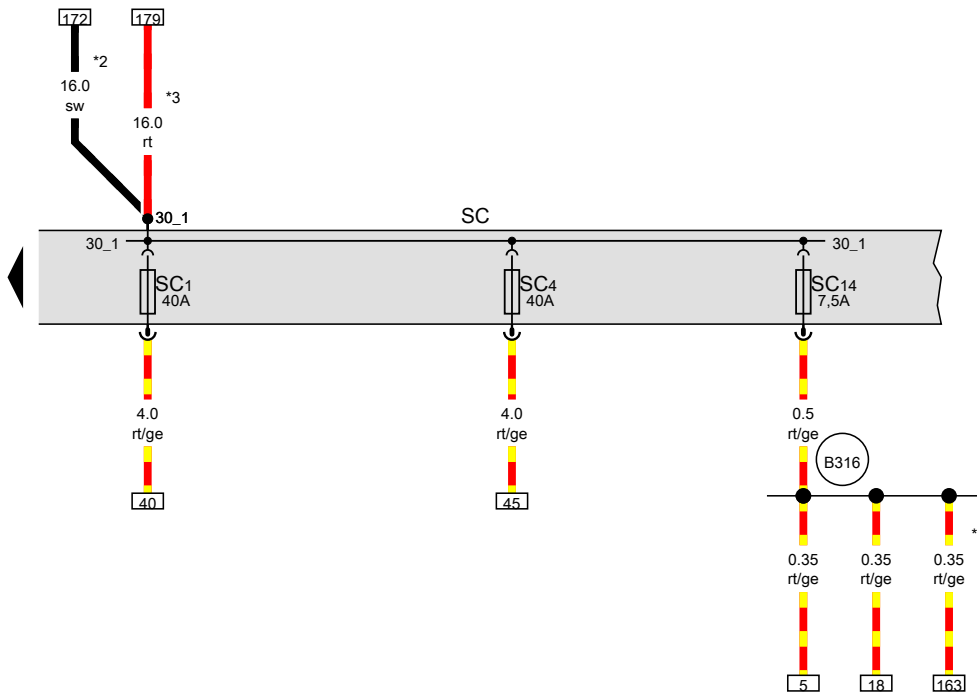
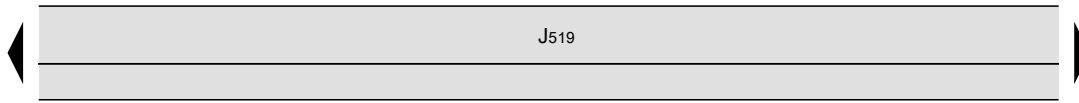
[NH0-009150216]

Fuse holder C

- J519 Onboard supply control unit
- SC Fuse holder C
- SC1 Fuse 1 on fuse holder C
- SC4 Fuse 4 on fuse holder C
- SC14 Fuse 14 on fuse holder C

B316 Positive connection 2 (30a) in main wiring harness

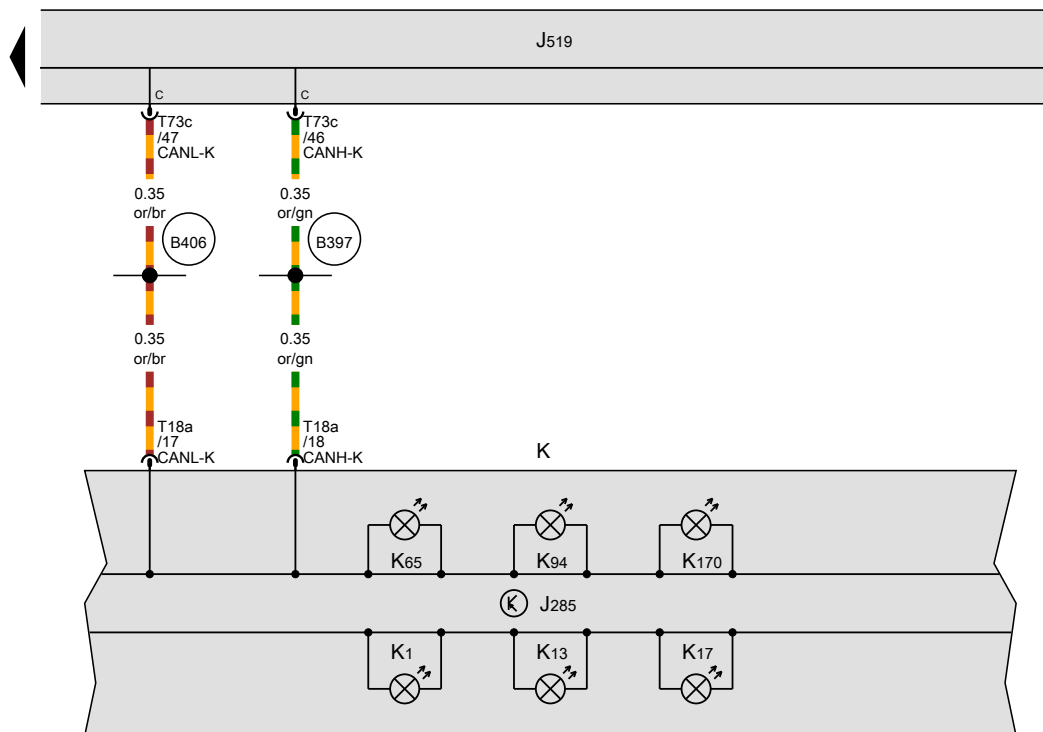
- * According to equipment
- *2 Only models with battery in luggage compartment
- *3 Only models with battery in engine compartment



- ws = white
- sw = black
- ro = red
- rt = red
- br = brown
- gn = green
- bl = blue
- gr = grey
- li = purple
- vi = purple
- ge = yellow
- or = orange
- rs = pink

197 198 199 200 201 202 203 204 205 206 207 208 209 210

[NH0-009160216]



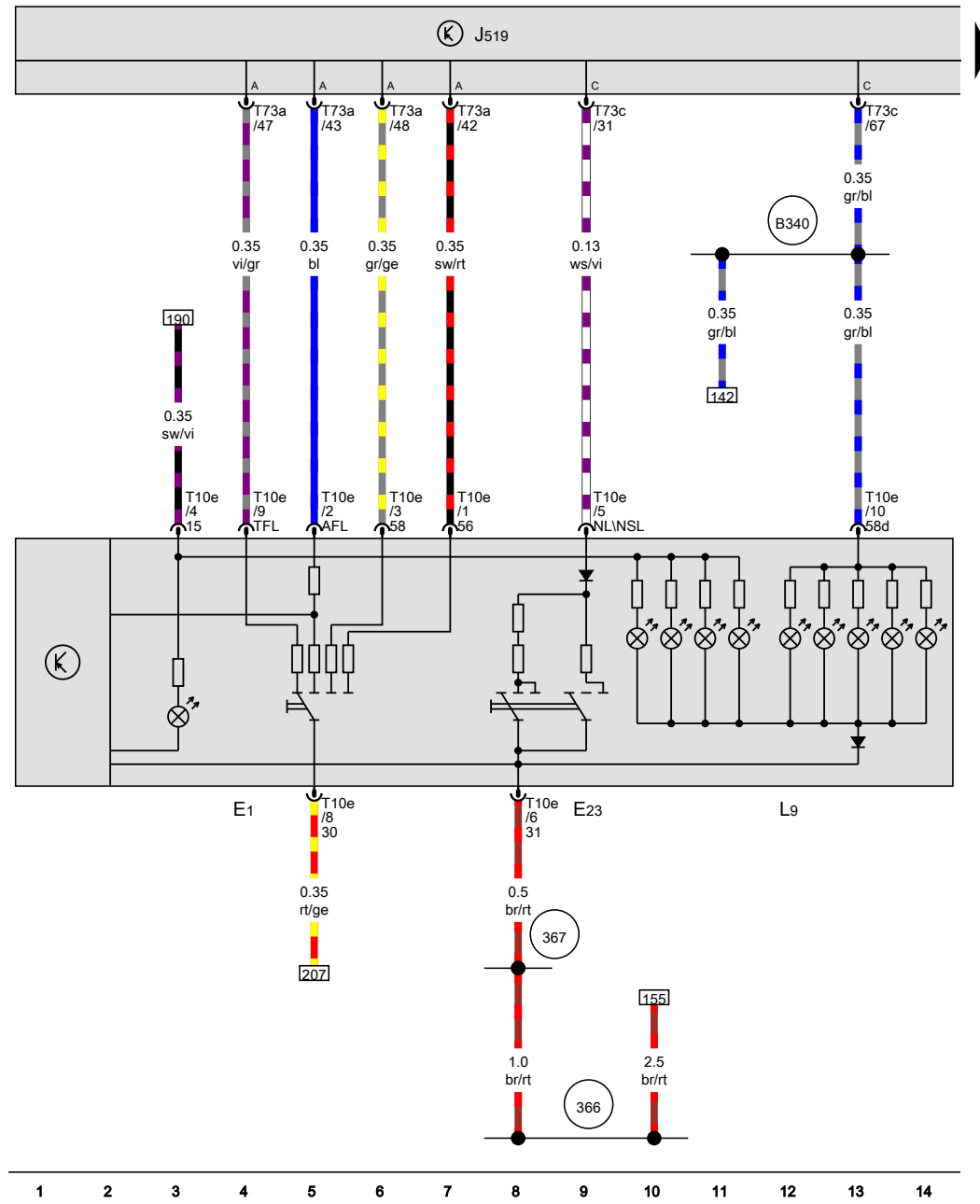
Dash panel insert

- J285 Control unit in dash panel insert
- J519 Onboard supply control unit
- K Dash panel insert
- K1 Main beam warning lamp
- K13 Rear fog light warning lamp
- K17 Fog light warning lamp
- K65 Left turn signal warning lamp
- K94 Right turn signal warning lamp
- K170 Bulb failure warning lamp
- T18a 18-pin connector
- T73c 73-pin connector, black
- B397** Connection 1 (convenience CAN bus, high), in main wiring harness
- B406** Connection 1 (convenience CAN bus, low), in main wiring harness

- ws = white
- sw = black
- ro = red
- rt = red
- br = brown
- gn = green
- bl = blue
- gr = grey
- li = purple
- vi = purple
- ge = yellow
- or = orange
- rs = pink

Exterior lighting , (K8R),(L0L)

From May 2015



Light switch

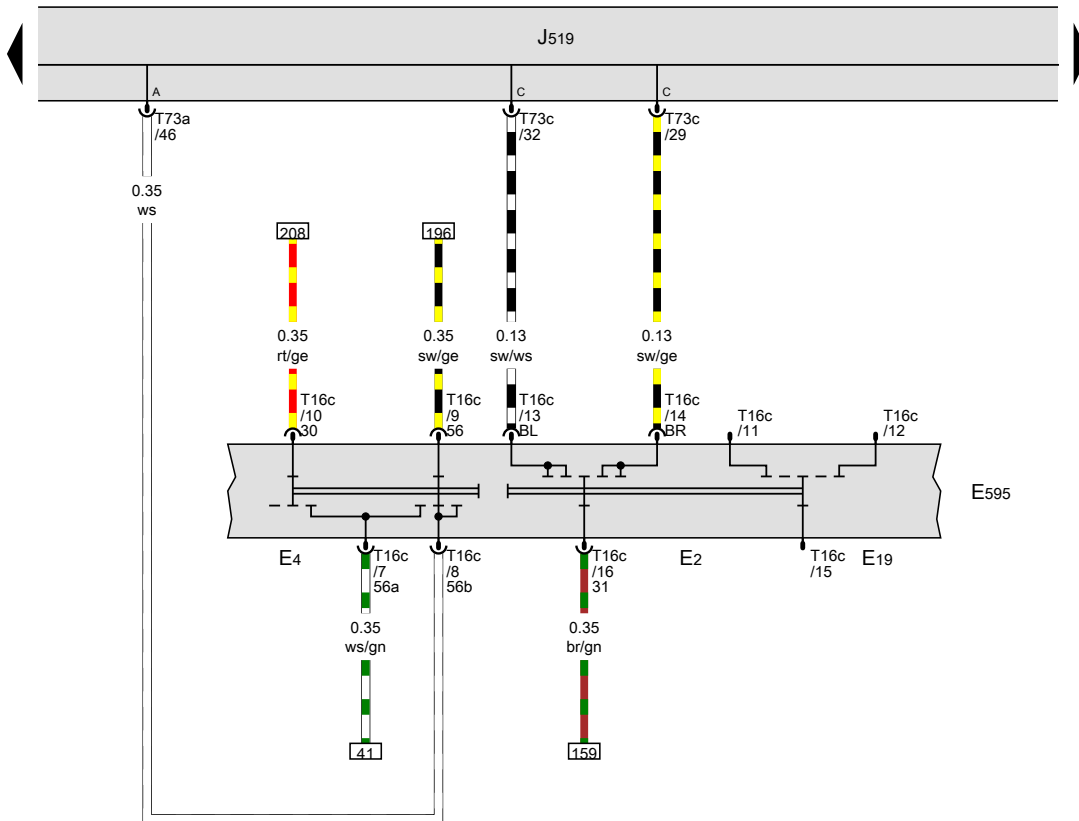
- E1 Light switch
- E23 Front and rear fog light switch
- J519 Onboard supply control unit
- L9 Light switch illumination bulb
- T10e 10-pin connector
- T73a 73-pin connector, black
- T73c 73-pin connector, black
- 366 Earth connection 1, in main wiring harness
- 367 Earth connection 2, in main wiring harness
- B340 Connection 1 (58d), in main wiring harness

- ws = white
- sw = black
- ro = red
- rt = red
- br = brown
- gn = green
- bl = blue
- gr = grey
- li = purple
- vi = purple
- ge = yellow
- or = orange
- rs = pink

[NH0-010020216]

Turn signal switch, Headlight dipper and flasher switch, Parking light switch, Steering column combination switch

- E2 Turn signal switch
- E4 Headlight dipper and flasher switch
- E19 Parking light switch
- E595 Steering column combination switch
- J519 Onboard supply control unit
- T16c 16-pin connector
- T73a 73-pin connector, black
- T73c 73-pin connector, black

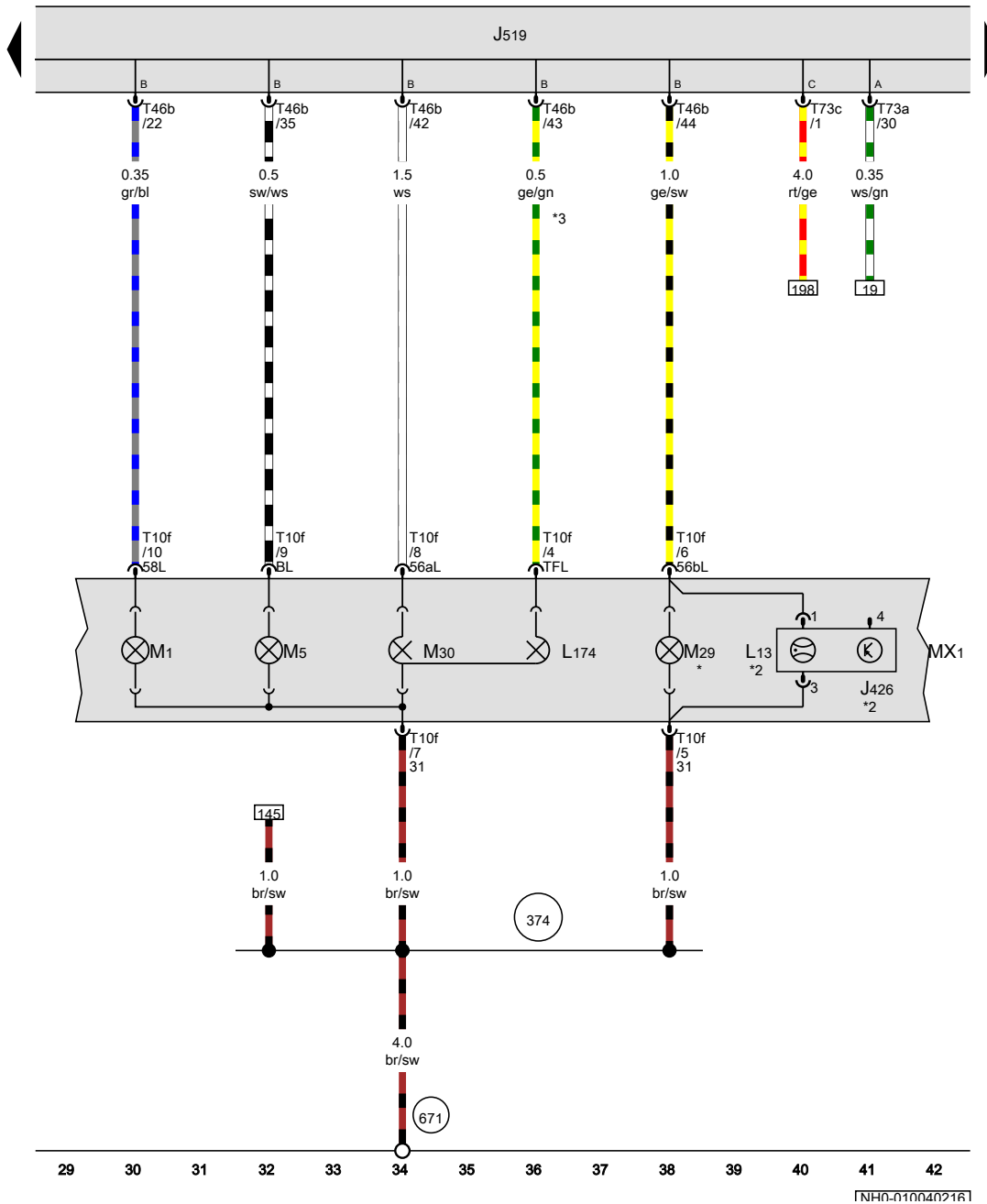


- ws = white
- sw = black
- ro = red
- rt = red
- br = brown
- gn = green
- bl = blue
- gr = grey
- li = purple
- vi = purple
- ge = yellow
- or = orange
- rs = pink

15 16 17 18 19 20 21 22 23 24 25 26 27 28

[NH0-010030216]

Front left headlight



- J426 Left headlight starter for gas discharge light
- J519 Onboard supply control unit
- L13 Left gas discharge (xenon) bulb
- L174 Left daytime running light bulb
- MX1 Front left headlight
- M1 Left side light bulb
- M5 Front left turn signal bulb
- M29 Left headlight dipped beam bulb
- M30 Left headlight main beam bulb
- T10f 10-pin connector
- T46b 46-pin connector, brown
- T73a 73-pin connector, black
- T73c 73-pin connector, black

- 374 Earth connection 9, in main wiring harness
- 671 Earth point 1, on front of left longitudinal member
- * Only models with halogen headlights
- *2 Only models with xenon headlights
- *3 Only models with daytime running lights

- ws = white
- sw = black
- ro = red
- rt = red
- br = brown
- gn = green
- bl = blue
- gr = grey
- li = purple
- vi = purple
- ge = yellow
- or = orange
- rs = pink

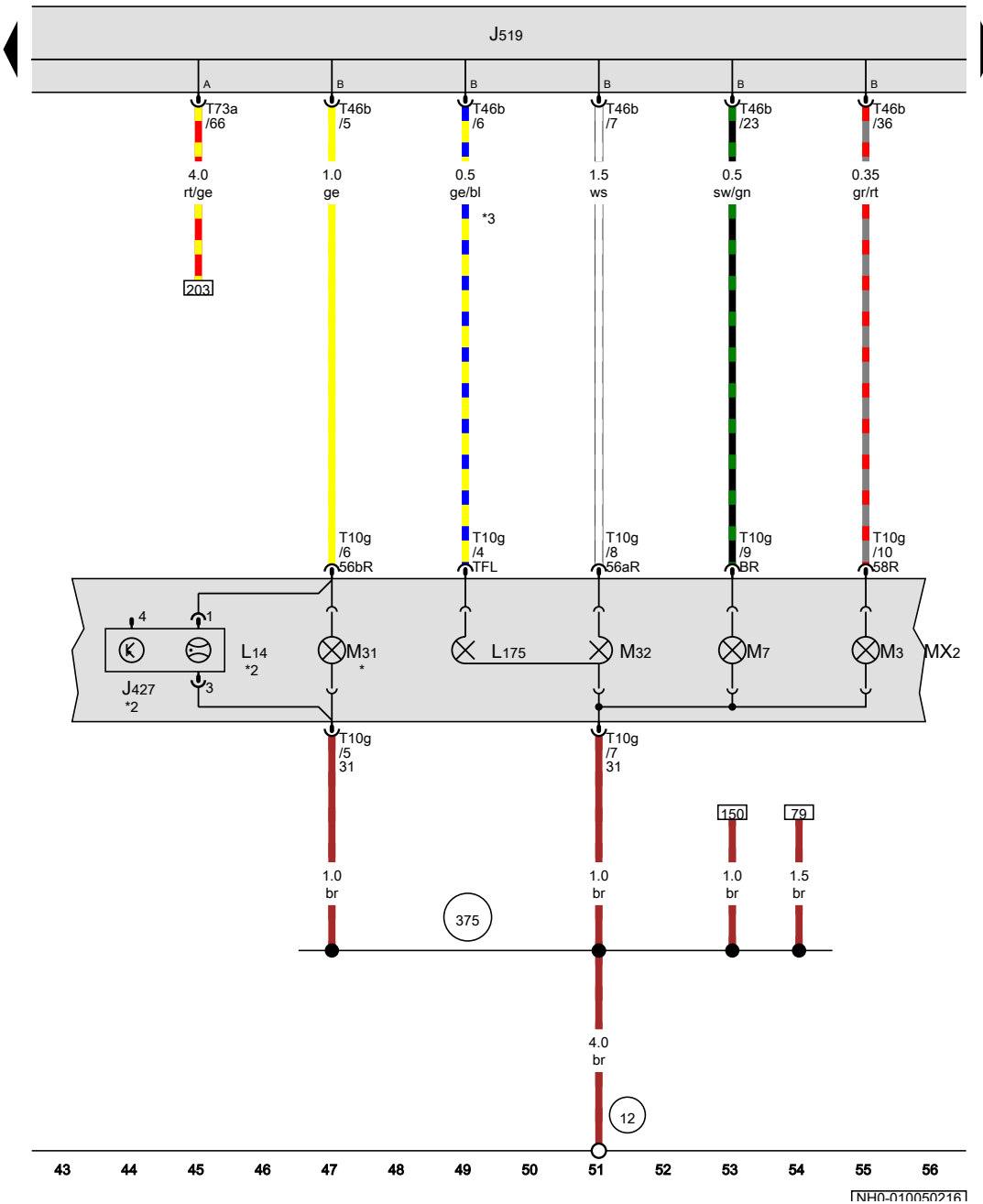
Front right headlight

- J427 Right headlight starter for gas discharge light
- J519 Onboard supply control unit
- L14 Right gas discharge (xenon) bulb
- L175 Right daytime running light bulb
- MX2 Front right headlight
- M3 Right side light bulb
- M7 Front right turn signal bulb
- M31 Right headlight dipped beam bulb
- M32 Right headlight main beam bulb
- T10g 10-pin connector
- T46b 46-pin connector, brown
- T73a 73-pin connector, black

12 Earth point, on left in engine compartment

375 Earth connection 10, in main wiring harness

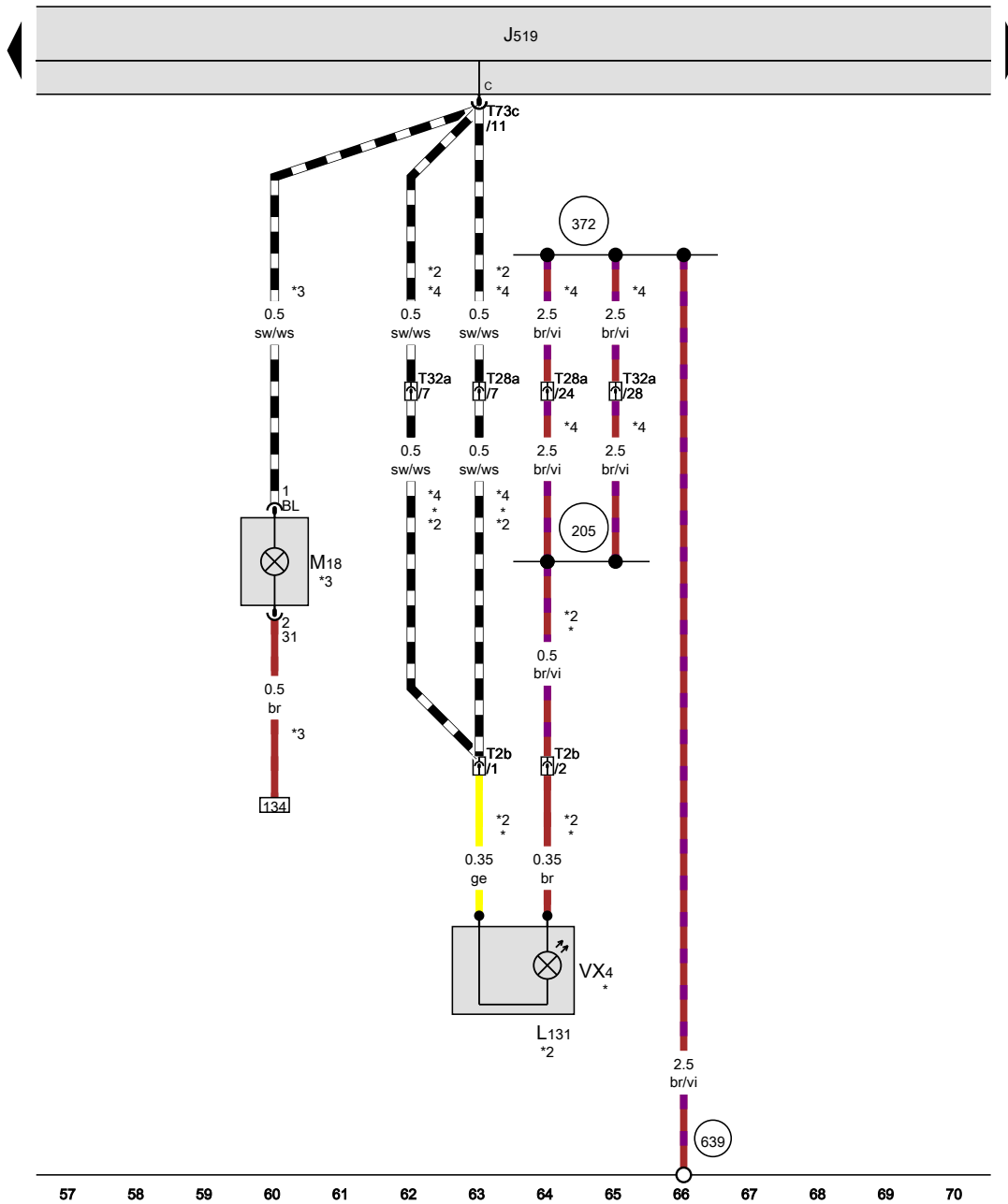
- * Only models with halogen headlights
- *2 Only models with xenon headlights
- *3 Only models with daytime running lights



- ws = white
- sw = black
- ro = red
- rt = red
- br = brown
- gn = green
- bl = blue
- gr = grey
- li = purple
- vi = purple
- ge = yellow
- or = orange
- rs = pink

[NH0-010050216]

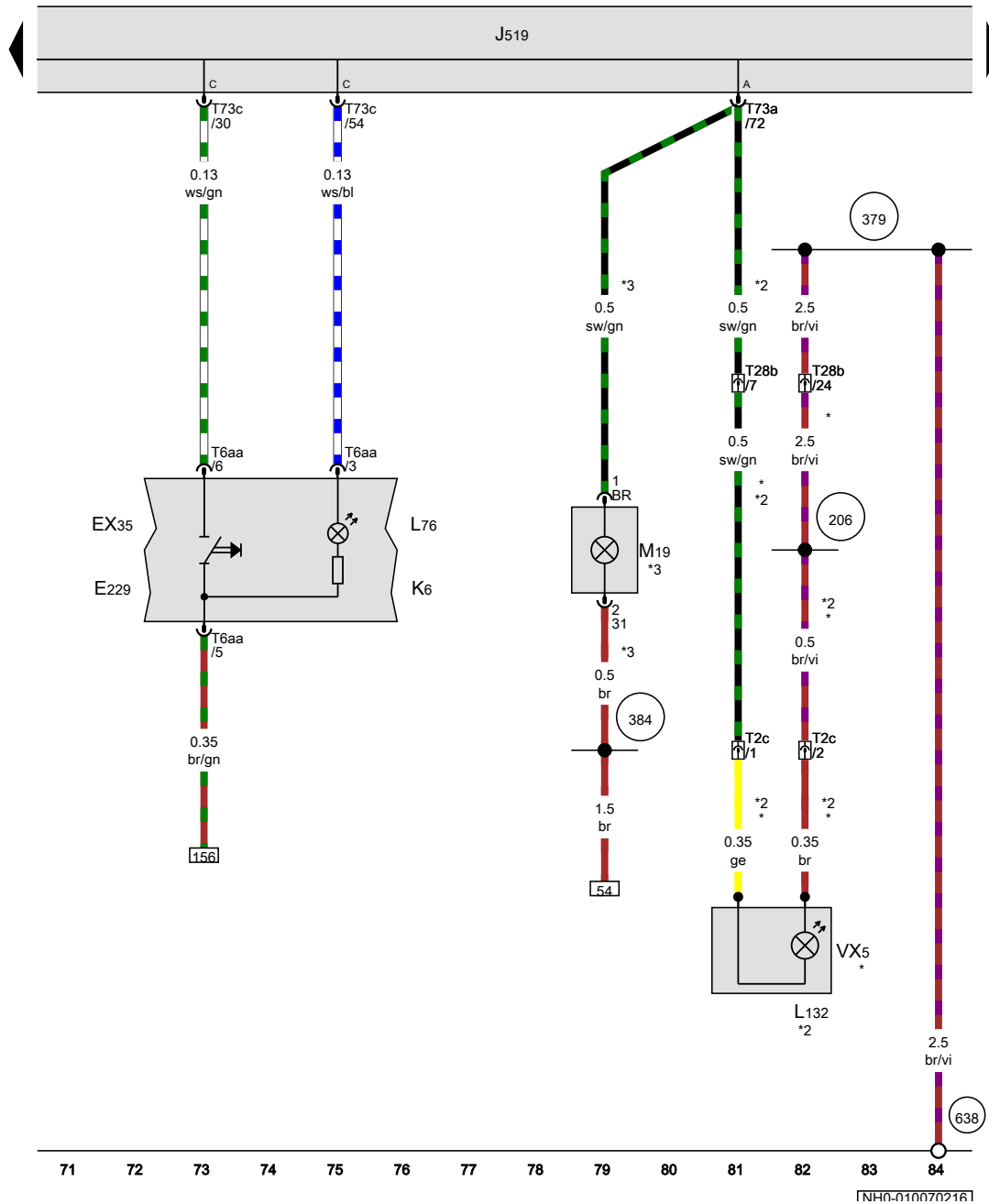
Left turn signal repeater bulb, Driver side exterior mirror



- J519 Onboard supply control unit
- L131 Driver side turn signal repeater bulb
- M18 Left turn signal repeater bulb
- T2b 2-pin connector
- T28a 28-pin connector, on left A-pillar
- T32a 32-pin connector, on left A-pillar
- T73c 73-pin connector, black
- VX4 Driver side exterior mirror
- 205 Earth connection, in driver door wiring harness
- 372 Earth connection 7, in main wiring harness
- 639 Earth point, left A-pillar
- * Only models with no electrically adjustable exterior mirrors
- *2 Not for models with equipment for Russia
- *3 Only models with equipment for Russia
- *4 According to equipment

- ws = white
- sw = black
- ro = red
- rt = red
- br = brown
- gn = green
- bl = blue
- gr = grey
- li = purple
- vi = purple
- ge = yellow
- or = orange
- rs = pink

1NH0-010060216



Centre switch module 2 in dash panel, Hazard warning lights button, Right turn signal repeater bulb, Front passenger side exterior mirror

- EX35 Centre switch module 2 in dash panel
 - E229 Hazard warning lights button
 - J519 Onboard supply control unit
 - K6 Indicator lamp for hazard warning light
 - L76 Button illumination bulb
 - L132 Front passenger side turn signal repeater bulb
 - M19 Right turn signal repeater bulb
 - T2c 2-pin connector
 - T6aa 6-pin connector
 - T28b 28-pin connector, on right A-pillar
 - T73a 73-pin connector, black
 - T73c 73-pin connector, black
 - VX5 Front passenger side exterior mirror
- 206 Earth connection, in front passenger door wiring harness
 - 379 Earth connection 14, in main wiring harness
 - 384 Earth connection 19, in main wiring harness
 - 638 Earth point, on right A-pillar
- * Only models with no electrically adjustable exterior mirrors
 - *2 Not for models with equipment for Russia
 - *3 Only models with equipment for Russia

- ws = white
- sw = black
- ro = red
- rt = red
- br = brown
- gn = green
- bl = blue
- gr = grey
- li = purple
- vi = purple
- ge = yellow
- or = orange
- rs = pink

[NH0-010070216]

Left tail light

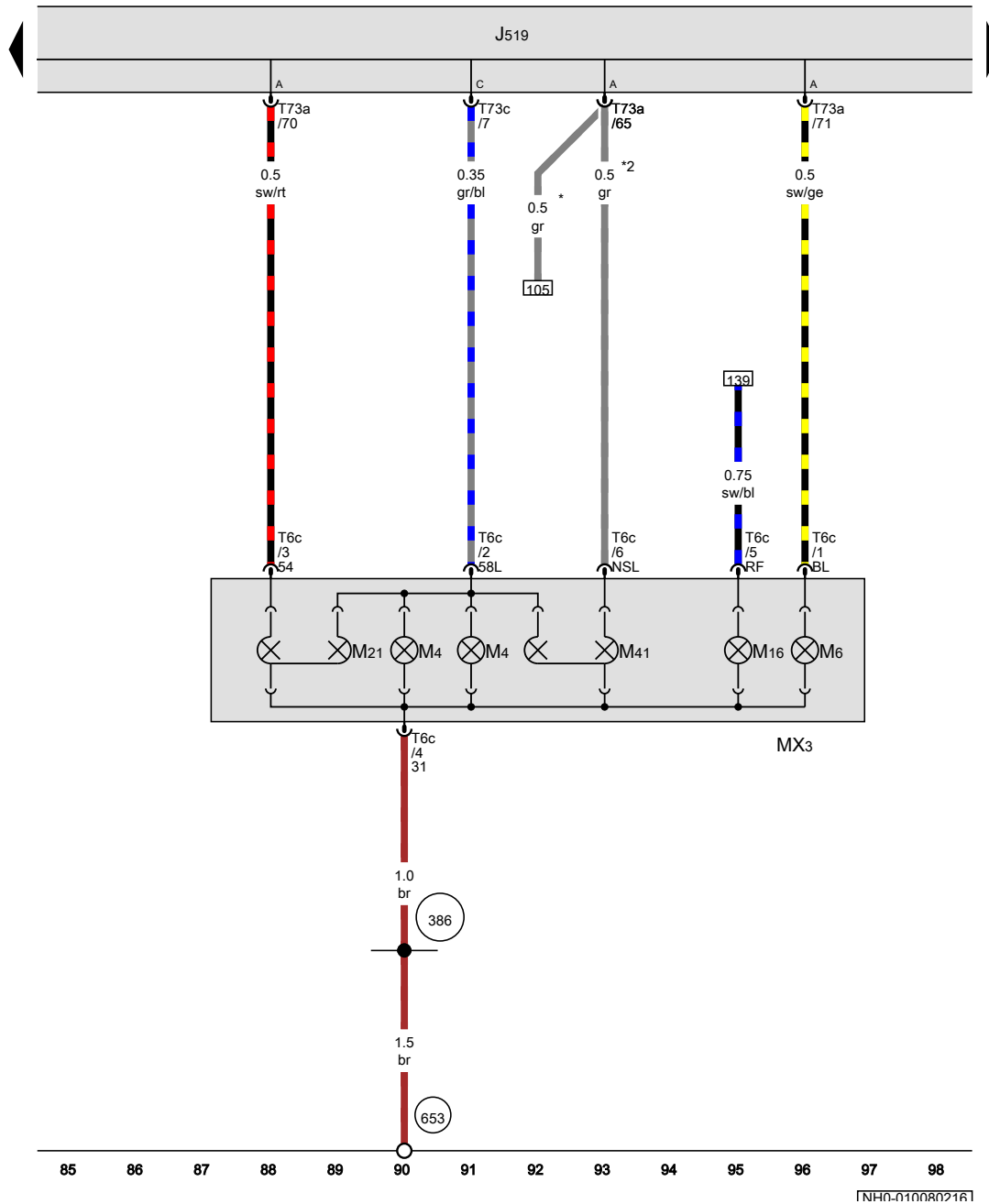
- J519 Onboard supply control unit
- MX3 Left tail light
- M4 Left tail light bulb
- M6 Rear left turn signal bulb
- M16 Left reversing light bulb
- M21 Left brake and tail light bulb
- M41 Left tail light and rear fog light bulb
- T6c 6-pin connector
- T73a 73-pin connector, black
- T73c 73-pin connector, black

386 Earth connection 21, in main wiring harness

653 Earth point, on left D-pillar

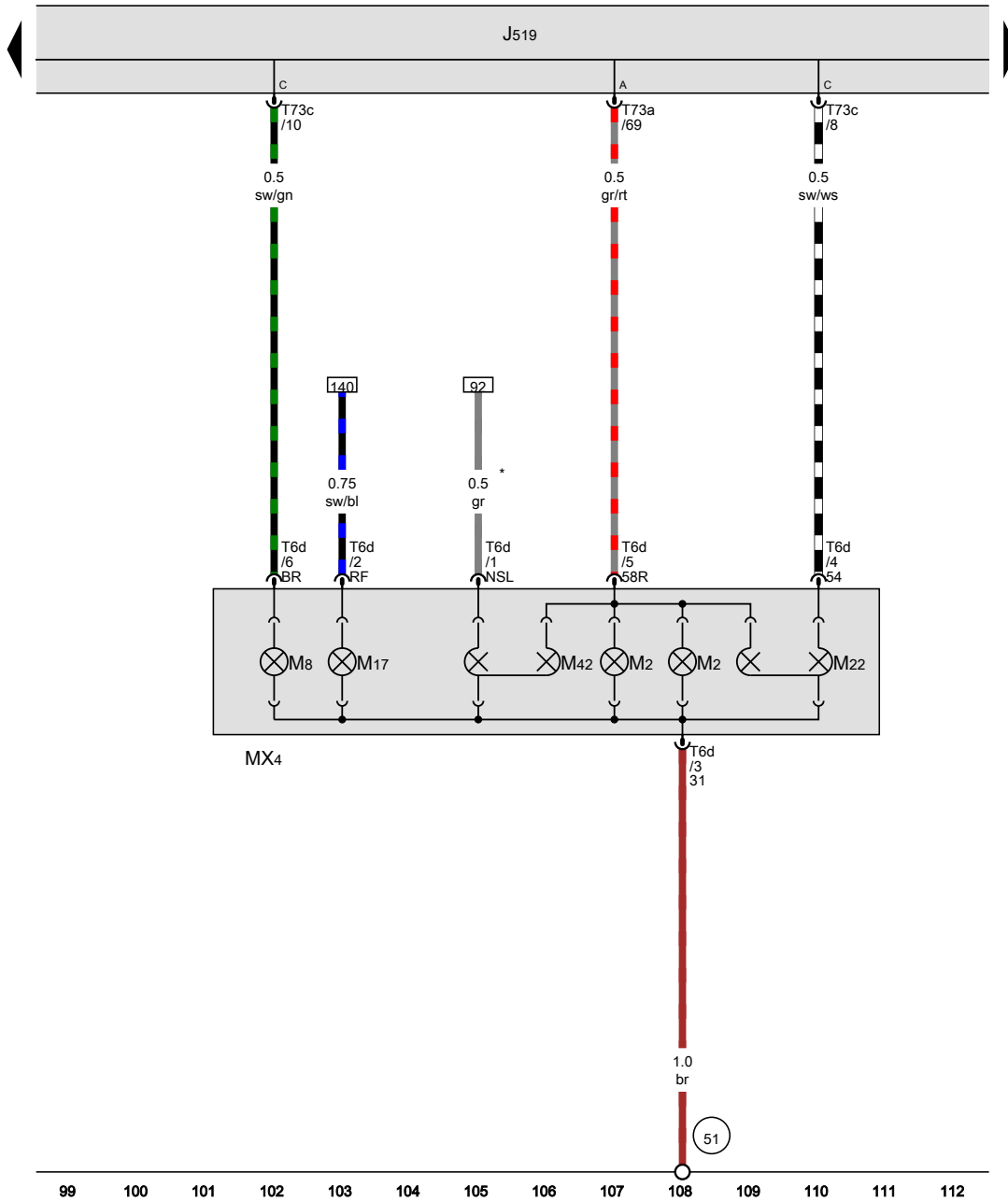
* Only right-hand drive models

*2 Only left-hand drive models



- ws = white
- sw = black
- ro = red
- rt = red
- br = brown
- gn = green
- bl = blue
- gr = grey
- li = purple
- vi = purple
- ge = yellow
- or = orange
- rs = pink

[NH0-0100R0216]



Right tail light

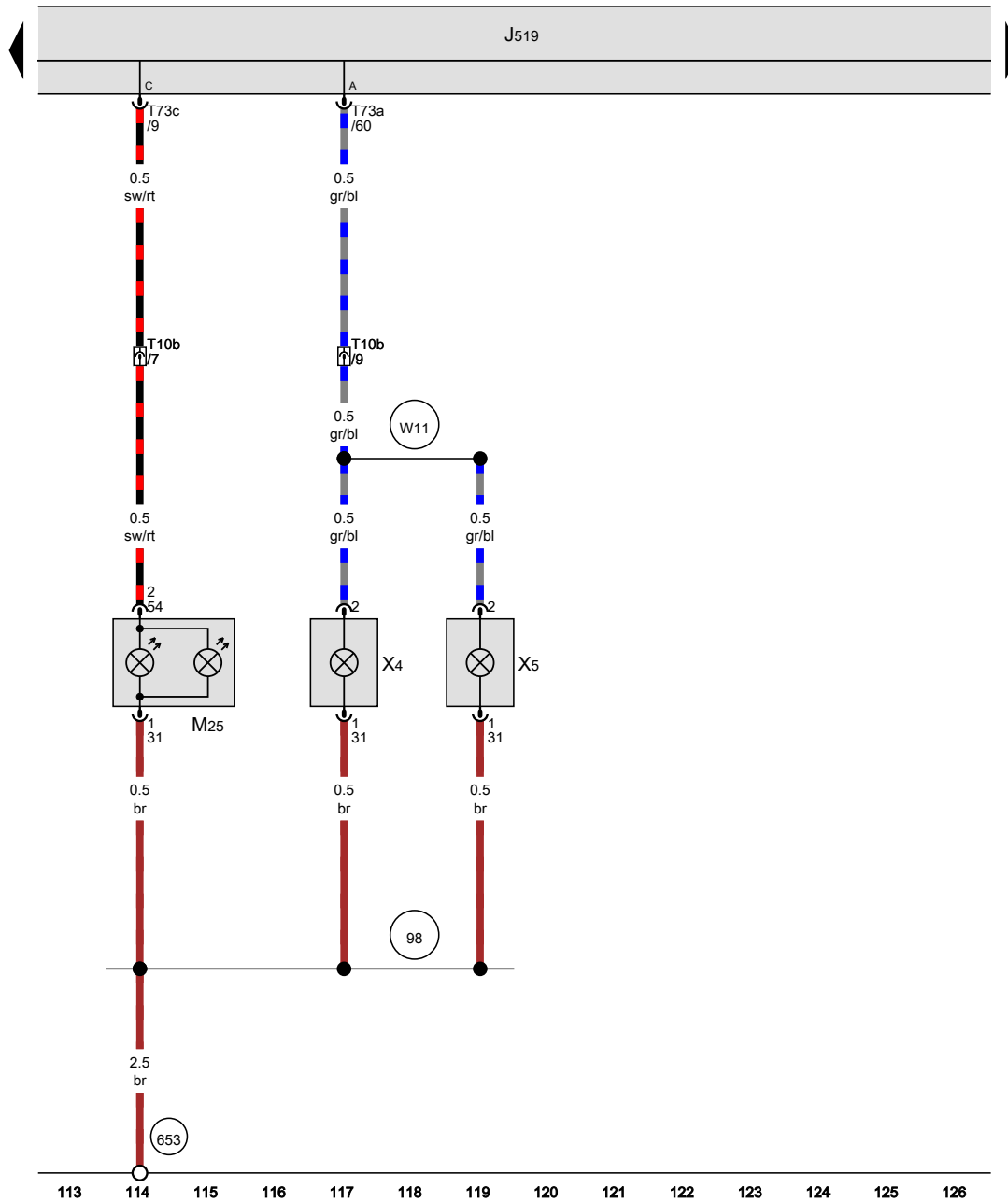
- J519 Onboard supply control unit
- M2 Right tail light bulb
- MX4 Right tail light
- M8 Rear right turn signal bulb
- M17 Right reversing light bulb
- M22 Right brake and tail light bulb
- M42 Right tail light and rear fog light bulb
- T6d 6-pin connector
- T73a 73-pin connector, black
- T73c 73-pin connector, black

51 Earth point, on right in luggage compartment

* Only right-hand drive models

- ws = white
- sw = black
- ro = red
- rt = red
- br = brown
- gn = green
- bl = blue
- gr = grey
- li = purple
- vi = purple
- ge = yellow
- or = orange
- rs = pink

High-level brake light bulb, Left number plate light, Right number plate light

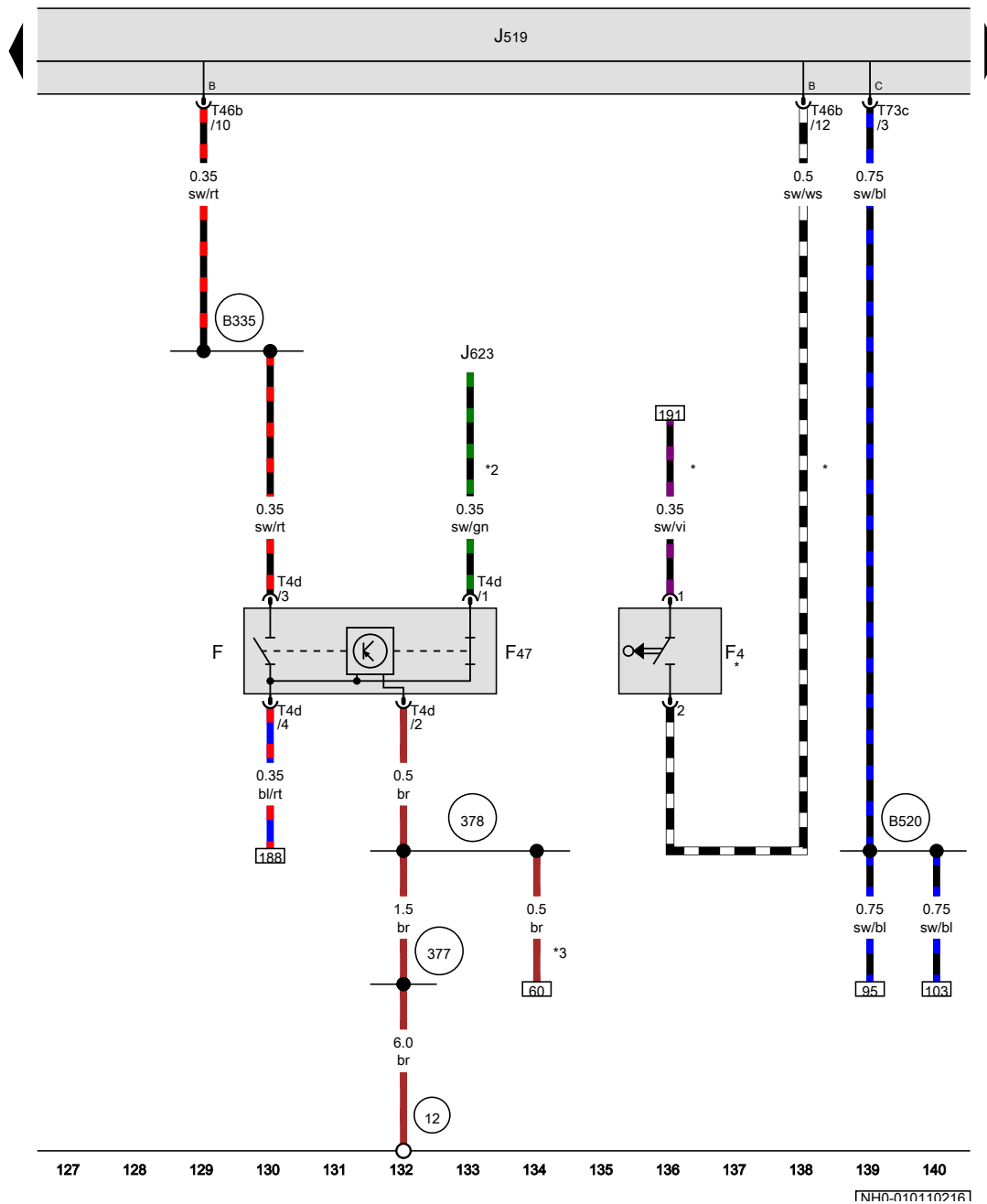


- J519 Onboard supply control unit
- M25 High-level brake light bulb
- T10b 10-pin connector
- T73a 73-pin connector, black
- T73c 73-pin connector, black
- X4 Left number plate light
- X5 Right number plate light
- 98 Earth connection, in rear lid wiring harness
- 653 Earth point, on left D-pillar
- W11 Connection (58), in rear lid wiring harness

- ws = white
- sw = black
- ro = red
- rt = red
- br = brown
- gn = green
- bl = blue
- gr = grey
- li = purple
- vi = purple
- ge = yellow
- or = orange
- rs = pink

[NH0-010100216]

Reversing light switch, Brake pedal switch



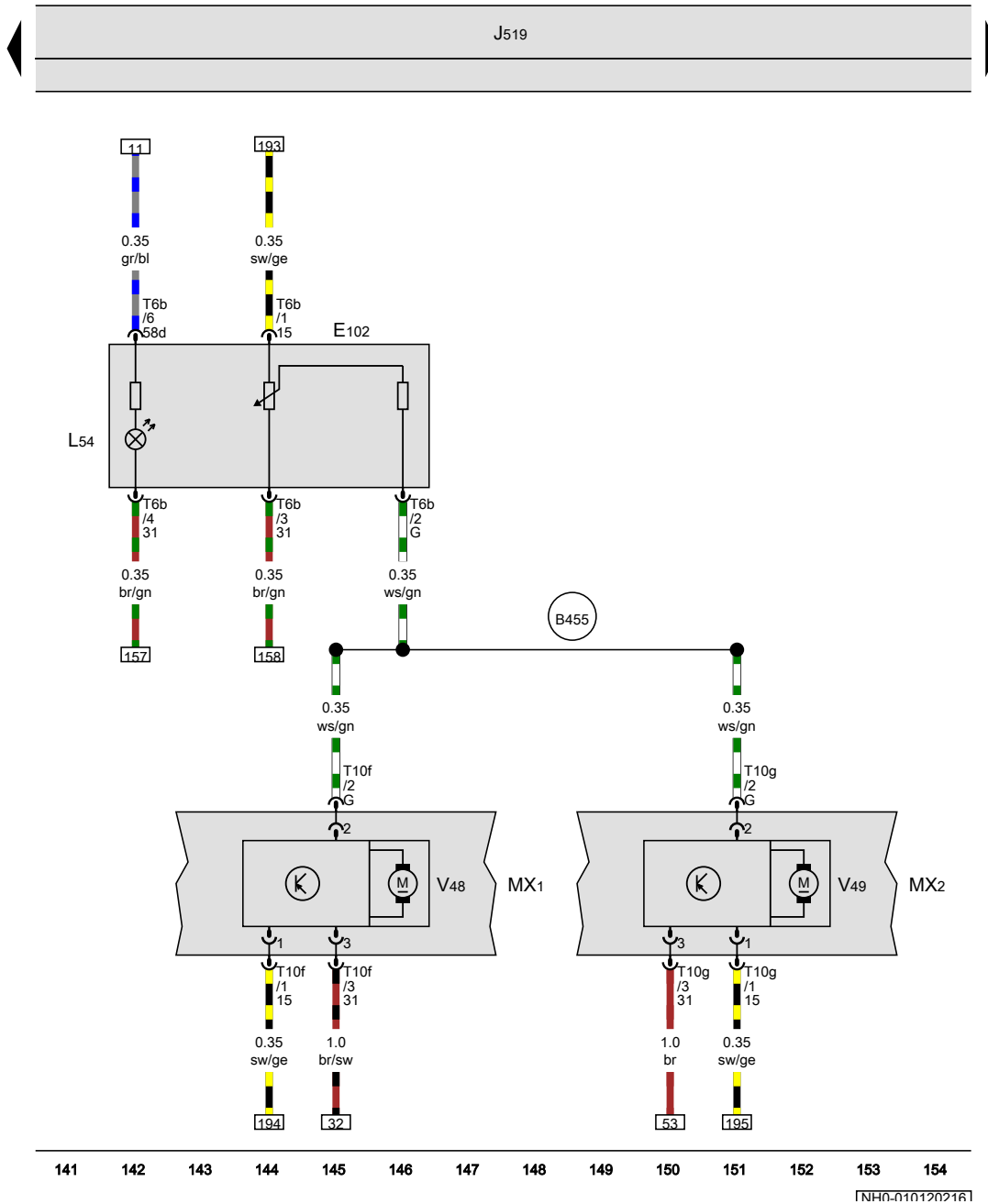
- F Brake light switch
- F4 Reversing light switch
- F47 Brake pedal switch
- J519 Onboard supply control unit
- J623 Engine control unit
- T4d 4-pin connector
- T46b 46-pin connector, brown
- T73c 73-pin connector, black
- 12 Earth point, on left in engine compartment
- 377 Earth connection 12, in main wiring harness
- 378 Earth connection 13, in main wiring harness
- B335 Connection 1 (54), in main wiring harness
- B520 Connection (RL), in main wiring harness
- * Only models with manual gearbox
- *2 see applicable current flow diagram for engine
- *3 Only models with equipment for Russia

- ws = white
- sw = black
- ro = red
- rt = red
- br = brown
- gn = green
- bl = blue
- gr = grey
- li = purple
- vi = purple
- ge = yellow
- or = orange
- rs = pink

[NH0-010110216]

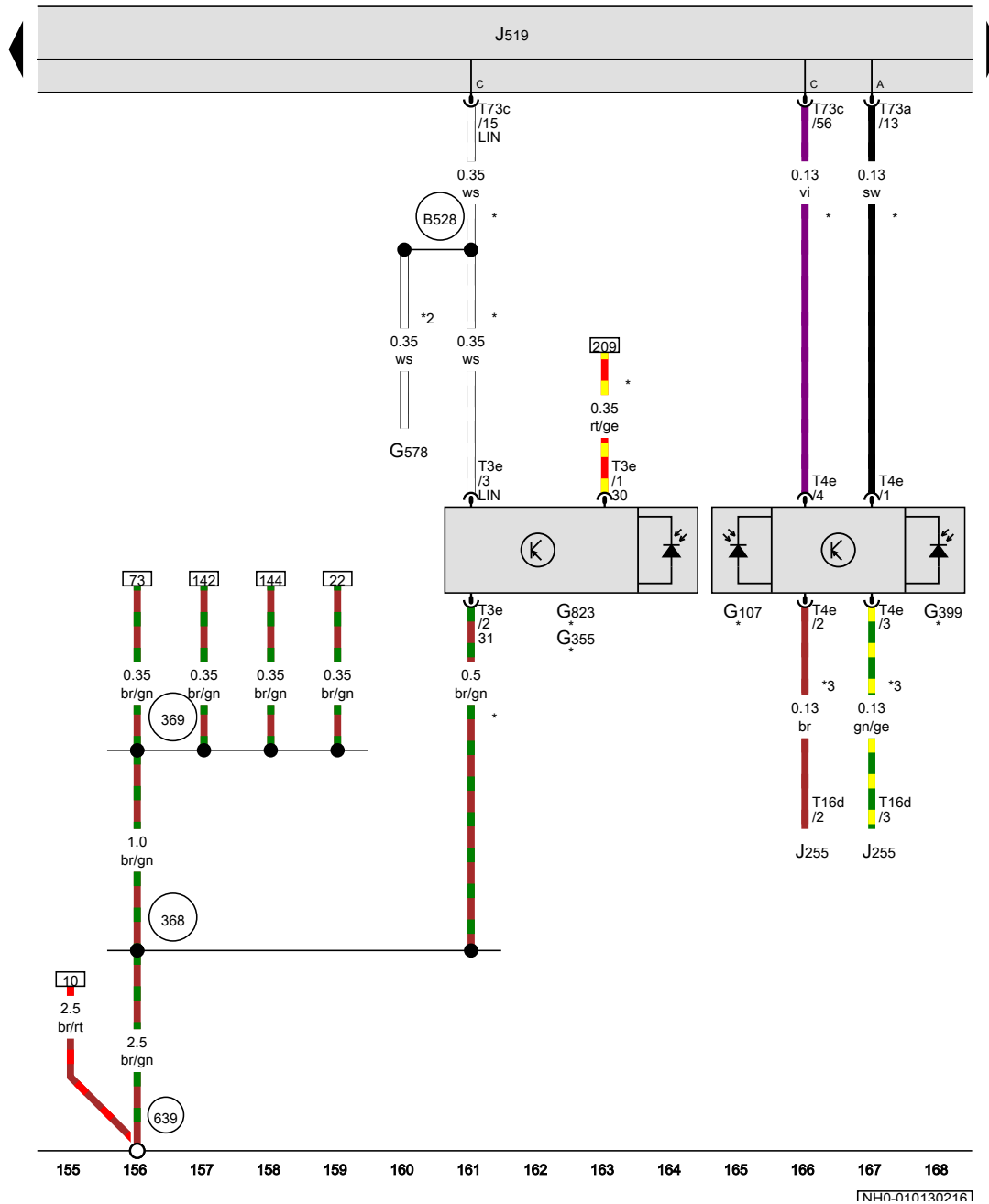
Headlight range control regulator, Left headlight range control motor, Right headlight range control motor

- E102 Headlight range control regulator
- J519 Onboard supply control unit
- L54 Headlight range control regulator illumination bulb
- MX1 Front left headlight
- MX2 Front right headlight
- T6b 6-pin connector
- T10f 10-pin connector
- T10g 10-pin connector
- V48 Left headlight range control motor
- V49 Right headlight range control motor
- B455 Connection (HRC), in main wiring harness



- ws = white
- sw = black
- ro = red
- rt = red
- br = brown
- gn = green
- bl = blue
- gr = grey
- li = purple
- vi = purple
- ge = yellow
- or = orange
- rs = pink

Sunlight penetration photosensor, Humidity sender, Light sensor, Air humidity, rain and light sensor



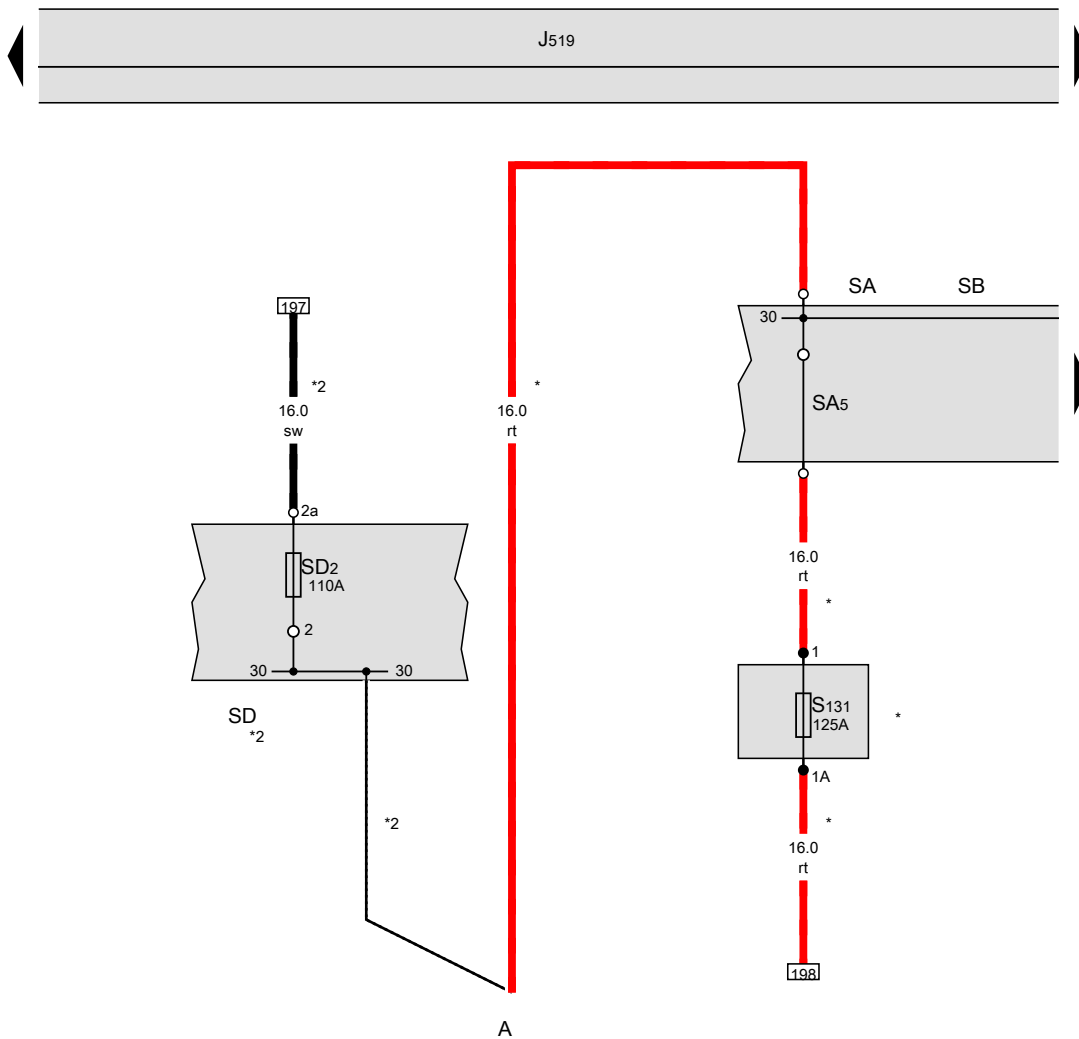
- G107 Sunlight penetration photosensor
- G355 Humidity sender
- G399 Light sensor
- G578 Anti-theft alarm sensor
- G823 Air humidity, rain and light sensor
- J255 Climatronic control unit
- J519 Onboard supply control unit
- T3e 3-pin connector
- T4e 4-pin connector
- T16d 16-pin connector
- T73a 73-pin connector, black
- T73c 73-pin connector, black
- 368 Earth connection 3, in main wiring harness
- 369 Earth connection 4, in main wiring harness
- 639 Earth point, left A-pillar
- B528 Connection 1 (LIN bus) in main wiring harness
- * According to equipment
- *2 For models with anti-theft alarm system
- *3 Only models with Climatronic

- ws = white
- sw = black
- ro = red
- rt = red
- br = brown
- gn = green
- bl = blue
- gr = grey
- li = purple
- vi = purple
- ge = yellow
- or = orange
- rs = pink

[NH0-010130216]

Battery, Fuse holder A, Fuse holder B, Fuse holder D

- A Battery
- J519 Onboard supply control unit
- SD2 Fuse 2 on fuse holder D
- SA5 Fuse 5 in fuse holder A
- S131 Fuse 1, in main wiring harness
- SA Fuse holder A
- SB Fuse holder B
- SD Fuse holder D
- * Only models with battery in engine compartment
- *2 Only models with battery in luggage compartment



- ws = white
- sw = black
- ro = red
- rt = red
- br = brown
- gn = green
- bl = blue
- gr = grey
- li = purple
- vi = purple
- ge = yellow
- or = orange
- rs = pink

Fuse holder B, Fuse holder C

- J271 Main relay
- J329 Terminal 15 voltage supply relay
- J519 Onboard supply control unit
- SB Fuse holder B
- SB13 Fuse 13 on fuse holder B
- SC Fuse holder C
- SC30 Fuse 30 on fuse holder C
- SC32 Fuse 32 on fuse holder C

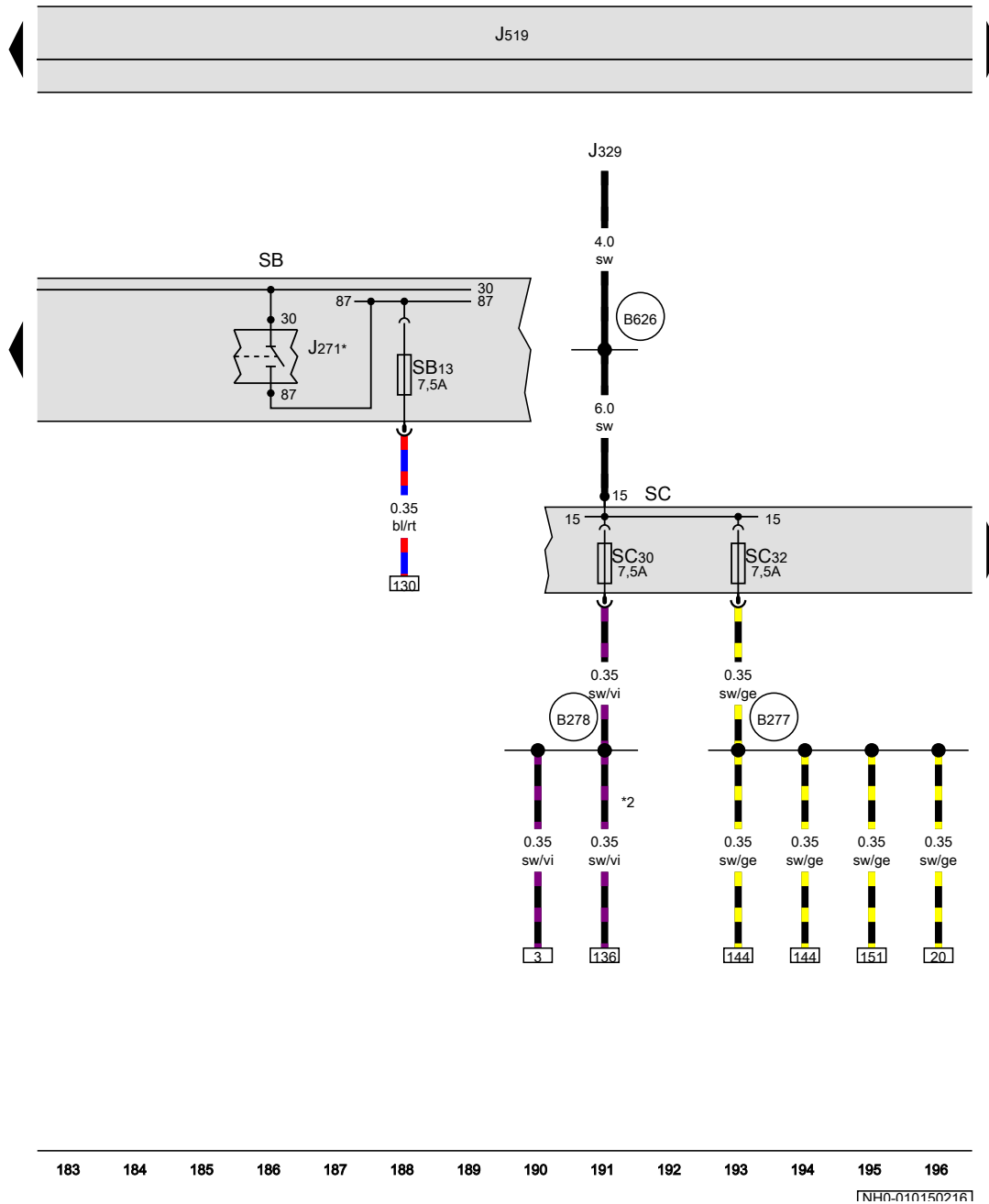
B277 Positive connection 1 (15a) in main wiring harness

B278 Positive connection 2 (15a) in main wiring harness

B626 Positive connection 2 (15), in main wiring harness

* see applicable current flow diagram for engine

*2 Only models with manual gearbox



- ws = white
- sw = black
- ro = red
- rt = red
- br = brown
- gn = green
- bl = blue
- gr = grey
- li = purple
- vi = purple
- ge = yellow
- or = orange
- rs = pink

183 184 185 186 187 188 189 190 191 192 193 194 195 196

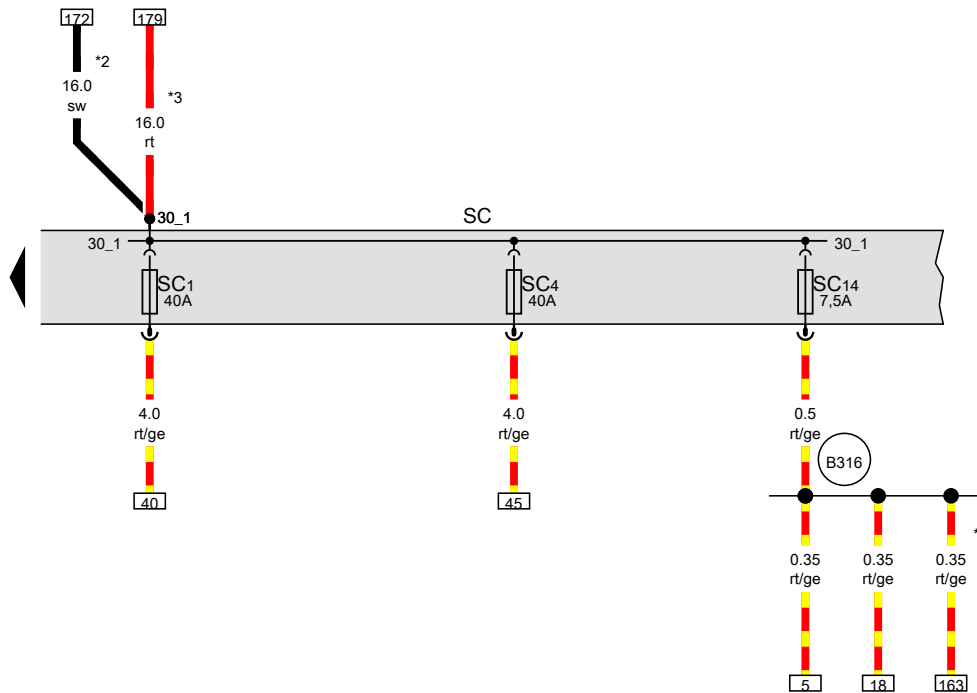
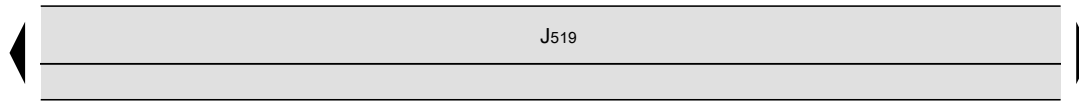
[NH0-010150216]

Fuse holder C

- J519 Onboard supply control unit
- SC Fuse holder C
- SC1 Fuse 1 on fuse holder C
- SC4 Fuse 4 on fuse holder C
- SC14 Fuse 14 on fuse holder C

B316 Positive connection 2 (30a) in main wiring harness

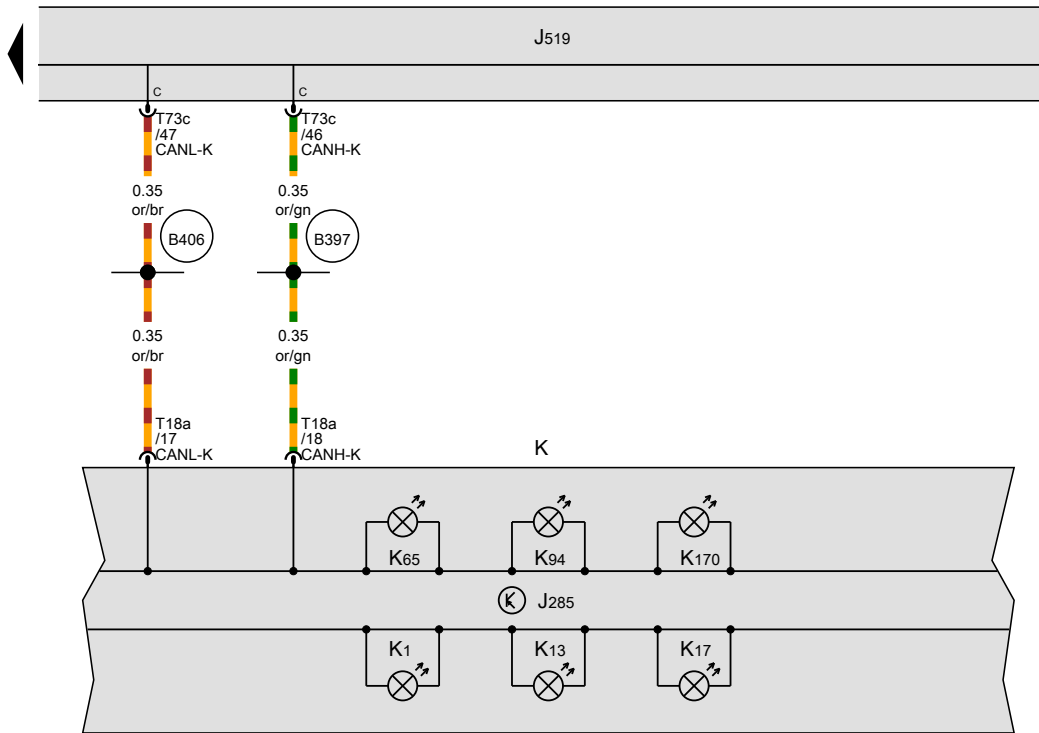
- * According to equipment
- *2 Only models with battery in luggage compartment
- *3 Only models with battery in engine compartment



- ws = white
- sw = black
- ro = red
- rt = red
- br = brown
- gn = green
- bl = blue
- gr = grey
- li = purple
- vi = purple
- ge = yellow
- or = orange
- rs = pink

197 198 199 200 201 202 203 204 205 206 207 208 209 210

[NH0-010160216]



Dash panel insert

- J285 Control unit in dash panel insert
- J519 Onboard supply control unit
- K Dash panel insert
- K1 Main beam warning lamp
- K13 Rear fog light warning lamp
- K17 Fog light warning lamp
- K65 Left turn signal warning lamp
- K94 Right turn signal warning lamp
- K170 Bulb failure warning lamp
- T18a 18-pin connector
- T73c 73-pin connector, black
- B397** Connection 1 (convenience CAN bus, high), in main wiring harness
- B406** Connection 1 (convenience CAN bus, low), in main wiring harness

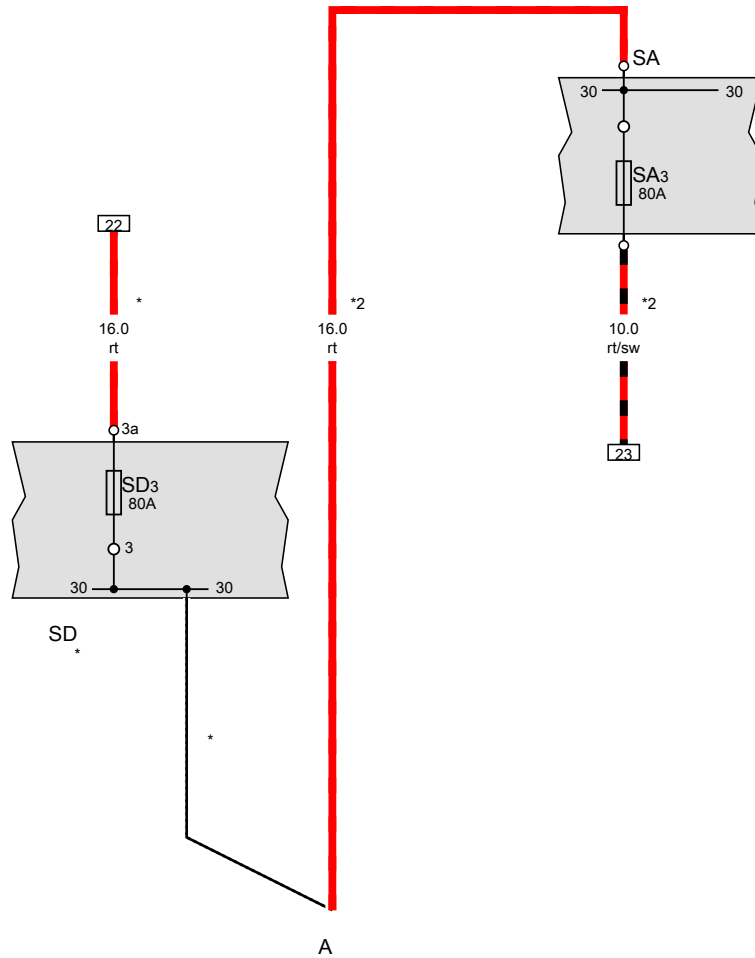
- ws = white
- sw = black
- ro = red
- rt = red
- br = brown
- gn = green
- bl = blue
- gr = grey
- li = purple
- vi = purple
- ge = yellow
- or = orange
- rs = pink

Electromechanical power steering

From May 2015

Battery, Fuse holder A, Fuse holder D

- A Battery
- J519 Onboard supply control unit
- SA Fuse holder A
- SD3 Fuse 3 on fuse holder D
- SA3 Fuse 3 in fuse holder A
- SD Fuse holder D
- * Only models with battery in luggage compartment
- *2 Only models with battery in engine compartment

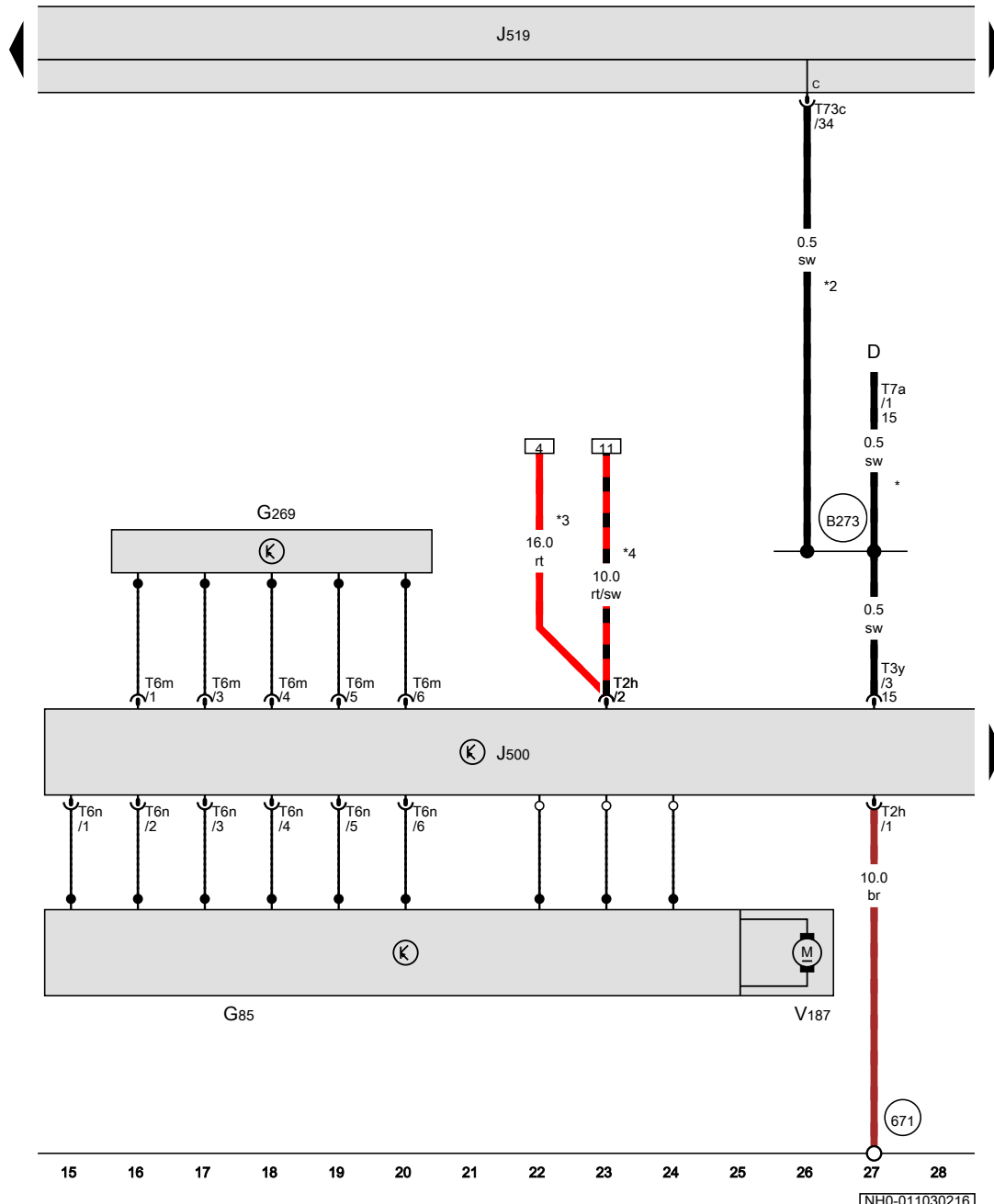


- ws = white
- sw = black
- ro = red
- rt = red
- br = brown
- gn = green
- bl = blue
- gr = grey
- li = purple
- vi = purple
- ge = yellow
- or = orange
- rs = pink

1 2 3 4 5 6 7 8 9 10 11 12 13 14

[NH0-011020216]

Steering angle sender, Steering moment sender, Power steering control unit, Electromechanical power steering motor



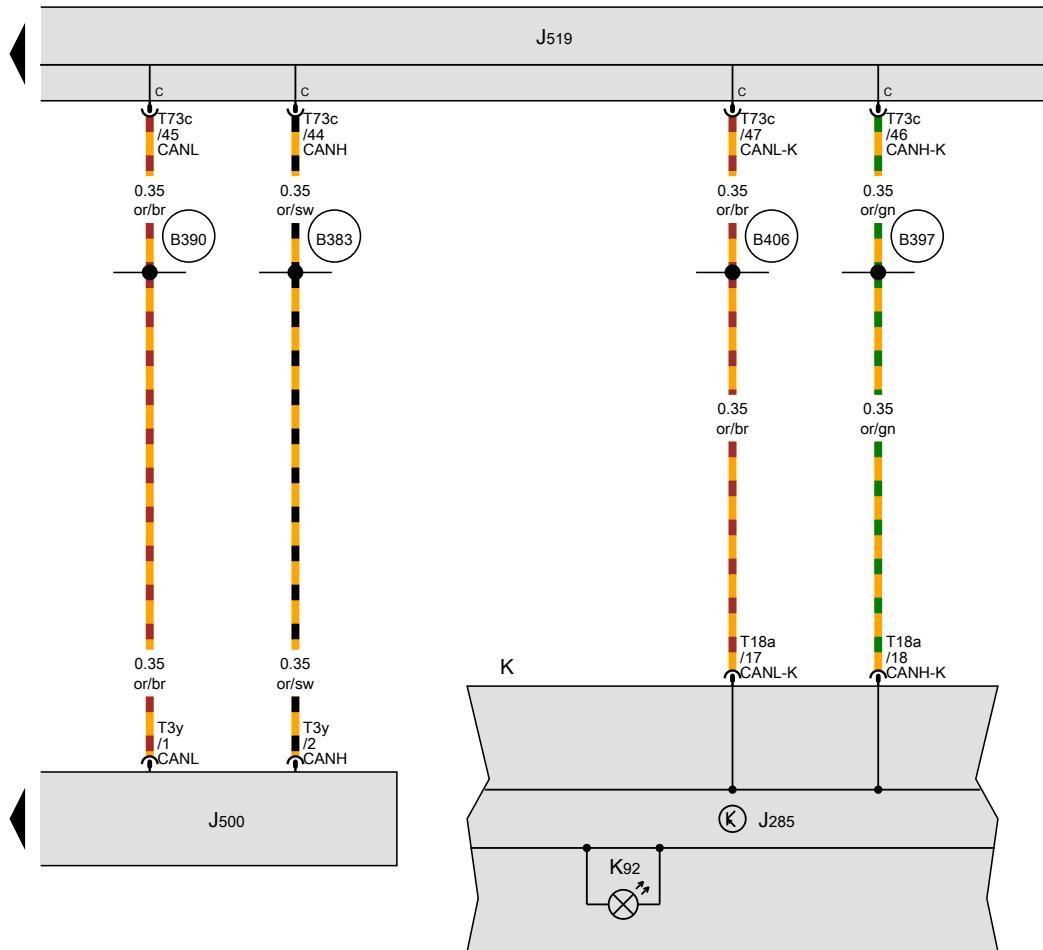
- D Ignition/starter switch
- G85 Steering angle sender
- G269 Steering moment sender
- J500 Power steering control unit
- J519 Onboard supply control unit
- T2h 2-pin connector
- T3y 3-pin connector
- T6m 6-pin connector
- T6n 6-pin connector
- T7a 7-pin connector
- T73c 73-pin connector, black
- V187 Electromechanical power steering motor

671 Earth point 1, on front of left longitudinal member

B273 Positive connection (15), in main wiring harness

- * Only models with no entry and start authorisation
- *2 Only models with entry and start authorisation
- *3 Only models with battery in luggage compartment
- *4 Only models with battery in engine compartment

- ws = white
- sw = black
- ro = red
- rt = red
- br = brown
- gn = green
- bl = blue
- gr = grey
- li = purple
- vi = purple
- ge = yellow
- or = orange
- rs = pink



Power steering control unit, Dash panel insert

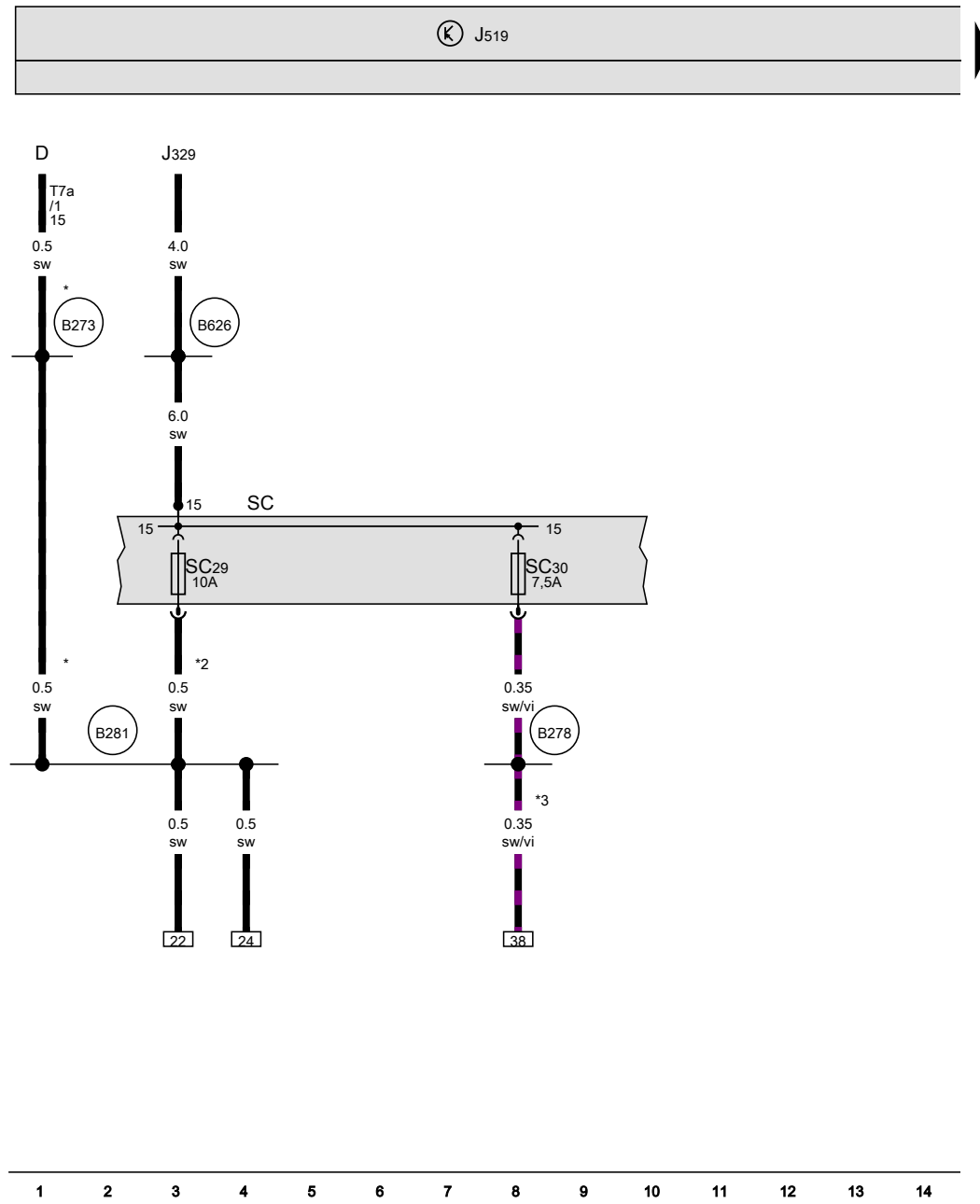
- J285 Control unit in dash panel insert
- J500 Power steering control unit
- J519 Onboard supply control unit
- K Dash panel insert
- K92 Servotronic warning lamp
- T3y 3-pin connector
- T18a 18-pin connector
- T73c 73-pin connector, black

- B383** Connection 1 (powertrain CAN bus, high), in main wiring harness
- B390** Connection 1 (powertrain CAN bus, low), in main wiring harness
- B397** Connection 1 (convenience CAN bus, high), in main wiring harness
- B406** Connection 1 (convenience CAN bus, low), in main wiring harness

- ws = white
- sw = black
- ro = red
- rt = red
- br = brown
- gn = green
- bl = blue
- gr = grey
- li = purple
- vi = purple
- ge = yellow
- or = orange
- rs = pink

Airbag systems

From May 2015



Fuse holder C

- D Ignition/starter switch
- J329 Terminal 15 voltage supply relay
- J519 Onboard supply control unit
- SC Fuse holder C
- SC29 Fuse 29 on fuse holder C
- SC30 Fuse 30 on fuse holder C
- T7a 7-pin connector

(B273) Positive connection (15), in main wiring harness

(B278) Positive connection 2 (15a) in main wiring harness

(B281) Positive connection 5 (15a) in main wiring harness

(B626) Positive connection 2 (15), in main wiring harness

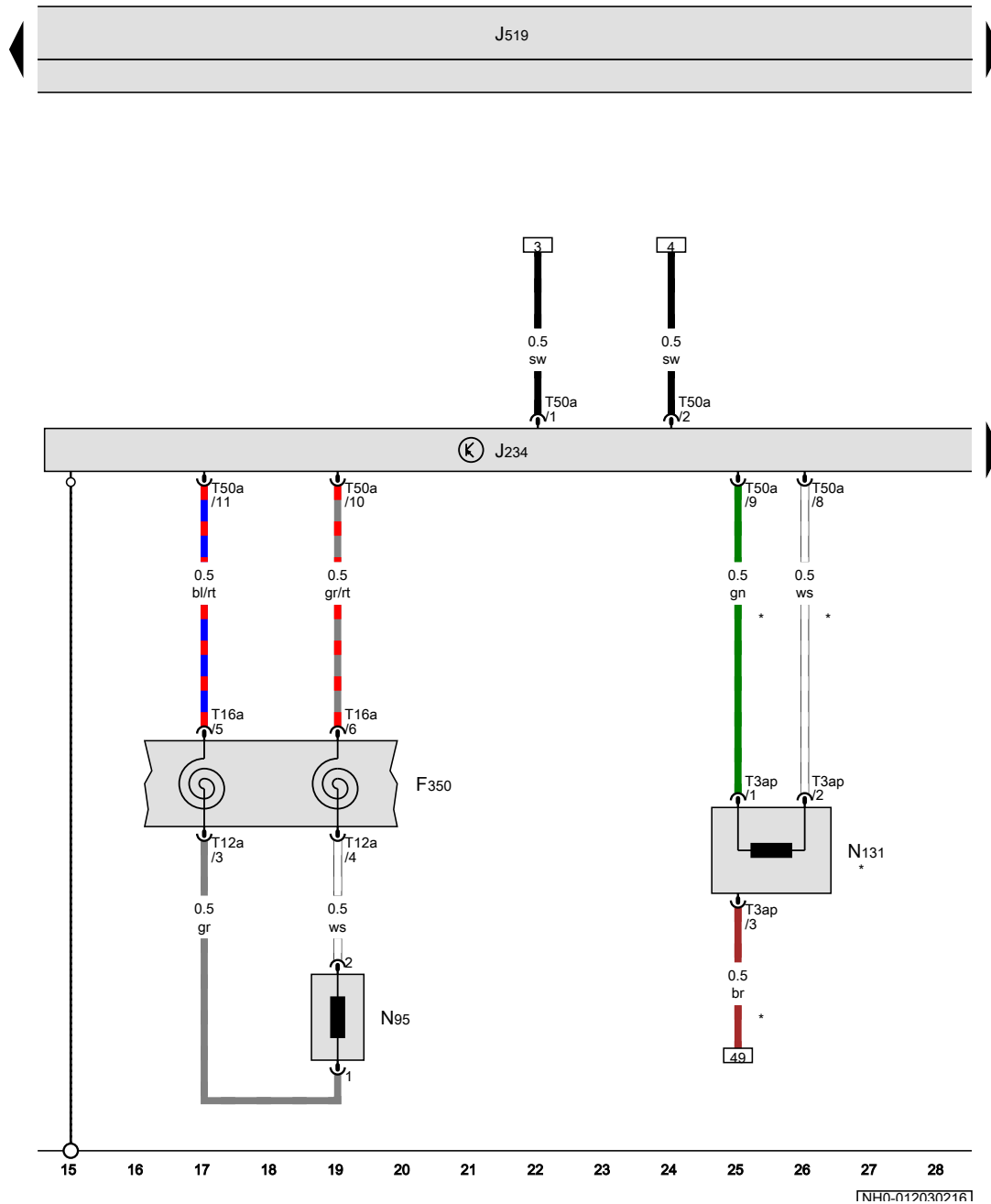
- * Only models with no entry and start authorisation
- *2 Only models with entry and start authorisation
- *3 Only models with key operated switch to deactivate front passenger airbag

- ws = white
- sw = black
- ro = red
- rt = red
- br = brown
- gn = green
- bl = blue
- gr = grey
- li = purple
- vi = purple
- ge = yellow
- or = orange
- rs = pink

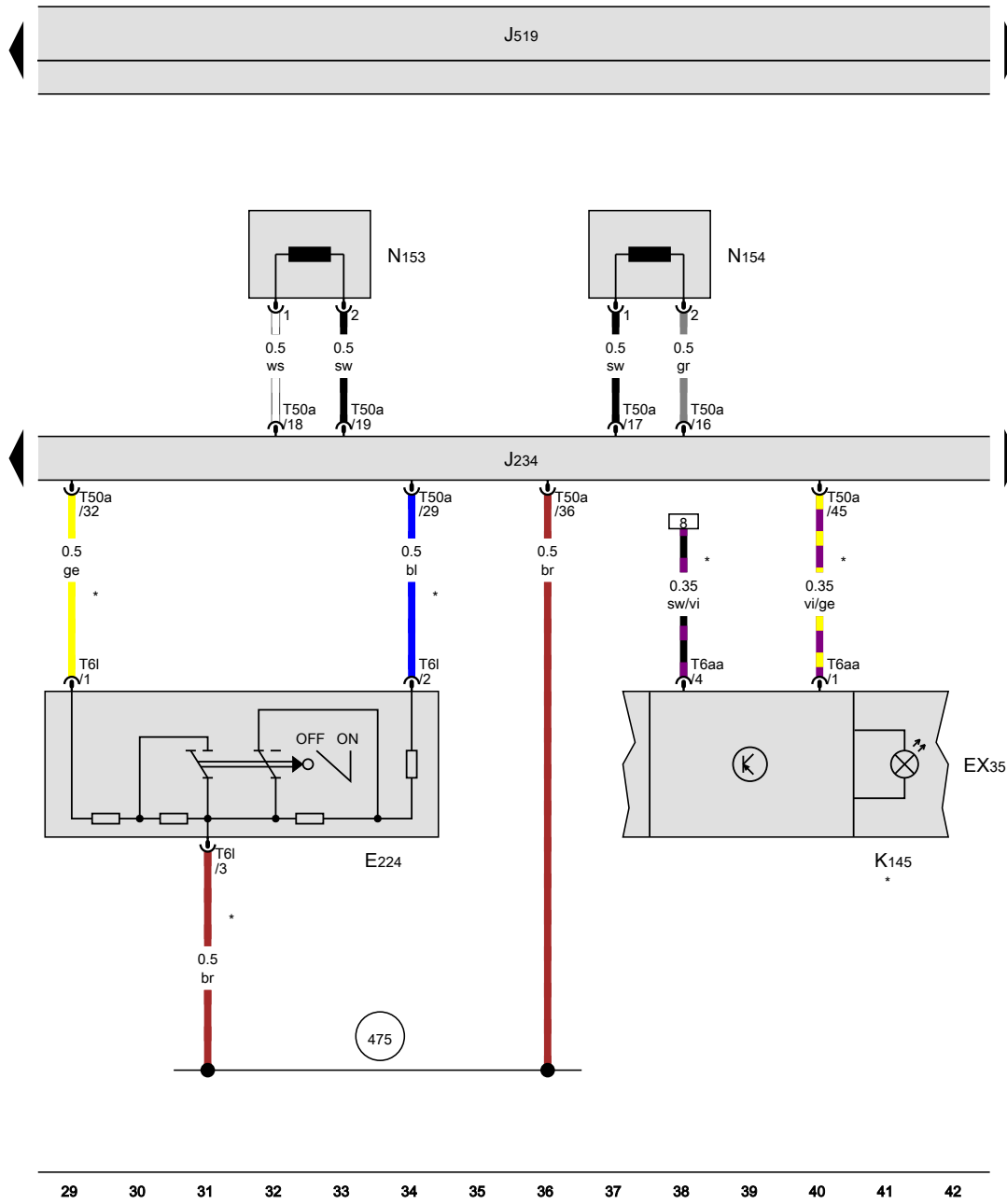
[NH0-012020216]

Coil connector, Airbag control unit, Driver side airbag igniter, Front passenger side airbag igniter 1

- F350 Coil connector
- J234 Airbag control unit
- J519 Onboard supply control unit
- N95 Driver side airbag igniter
- N131 Front passenger side airbag igniter 1
- T3ap 3-pin connector
- T12a 12-pin connector
- T16a 16-pin connector
- T50a 50-pin connector
- * Only models with front passenger airbag



[NH0-012030216]



Centre switch module 2 in dash panel, Key operated switch to deactivate front passenger side airbag, Airbag control unit, Front passenger side airbag deactivated warning lamp, Driver seat belt tensioner igniter 1, Front passenger seat belt tensioner igniter 1

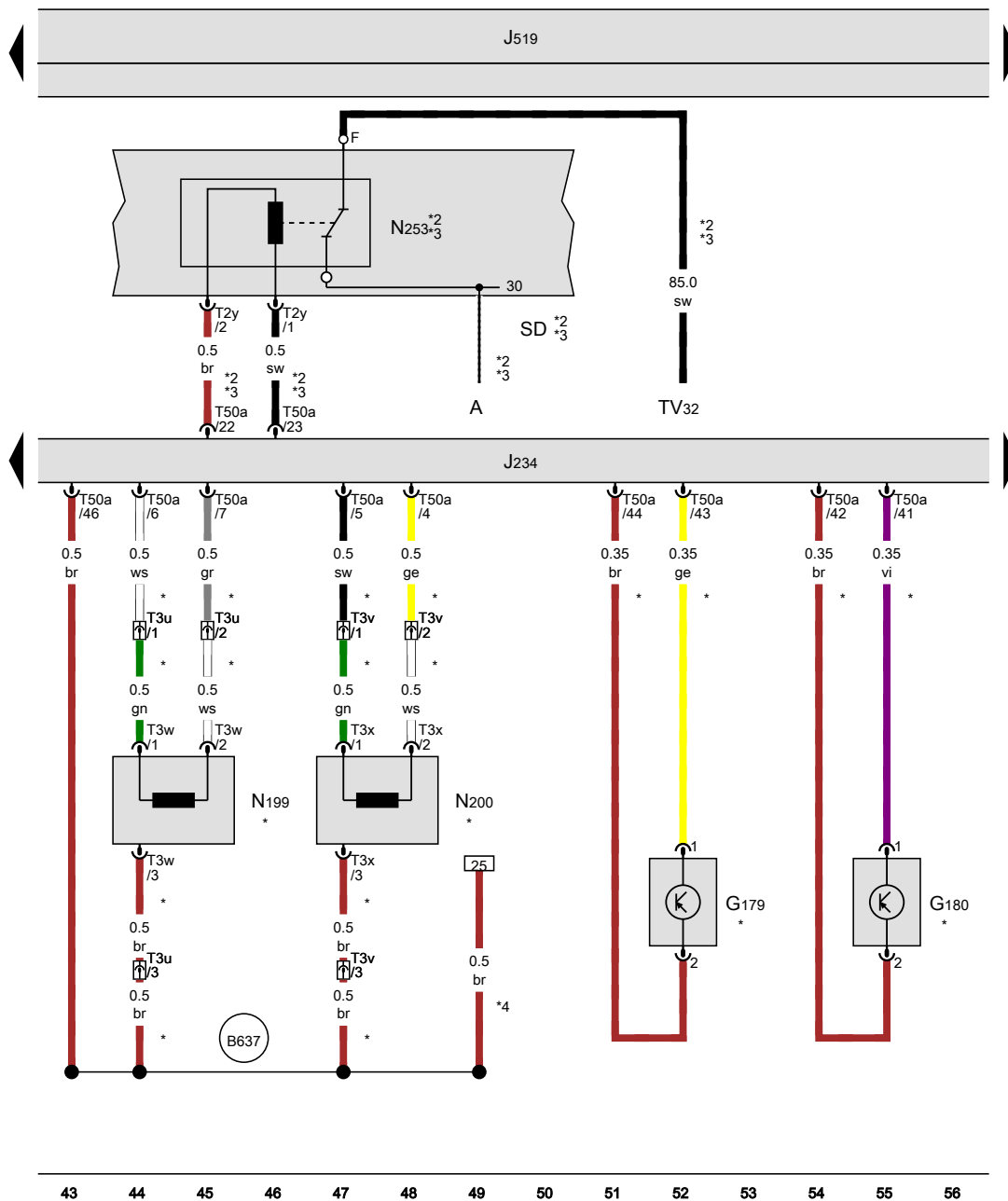
- EX35 Centre switch module 2 in dash panel
- E224 Key operated switch to deactivate front passenger side airbag
- J234 Airbag control unit
- J519 Onboard supply control unit
- K145 Front passenger side airbag deactivated warning lamp
- N153 Driver seat belt tensioner igniter 1
- N154 Front passenger seat belt tensioner igniter 1
- T6aa 6-pin connector
- T6I 6-pin connector
- T50a 50-pin connector

475 Earth connection (airbag), in main wiring harness

* Only models with key operated switch to deactivate front passenger airbag

- ws = white
- sw = black
- ro = red
- rt = red
- br = brown
- gn = green
- bl = blue
- gr = grey
- li = purple
- vi = purple
- ge = yellow
- or = orange
- rs = pink

Battery, Side airbag crash sensor on driver side, Side airbag crash sensor on front passenger side, Airbag control unit, Side airbag igniter on driver side, Side airbag igniter on front passenger side, Battery isolation igniter, Fuse holder D, Jump start connection



- A Battery
- G179 Side airbag crash sensor on driver side
- G180 Side airbag crash sensor on front passenger side
- J234 Airbag control unit
- J519 Onboard supply control unit
- N199 Side airbag igniter on driver side
- N200 Side airbag igniter on front passenger side
- N253 Battery isolation igniter
- SD Fuse holder D
- T2y 2-pin connector
- T3u 3-pin connector, under driver seat, yellow
- T3v 3-pin connector, under front passenger seat, yellow
- T3w 3-pin connector
- T3x 3-pin connector
- T50a 50-pin connector
- TV32 Jump start connection

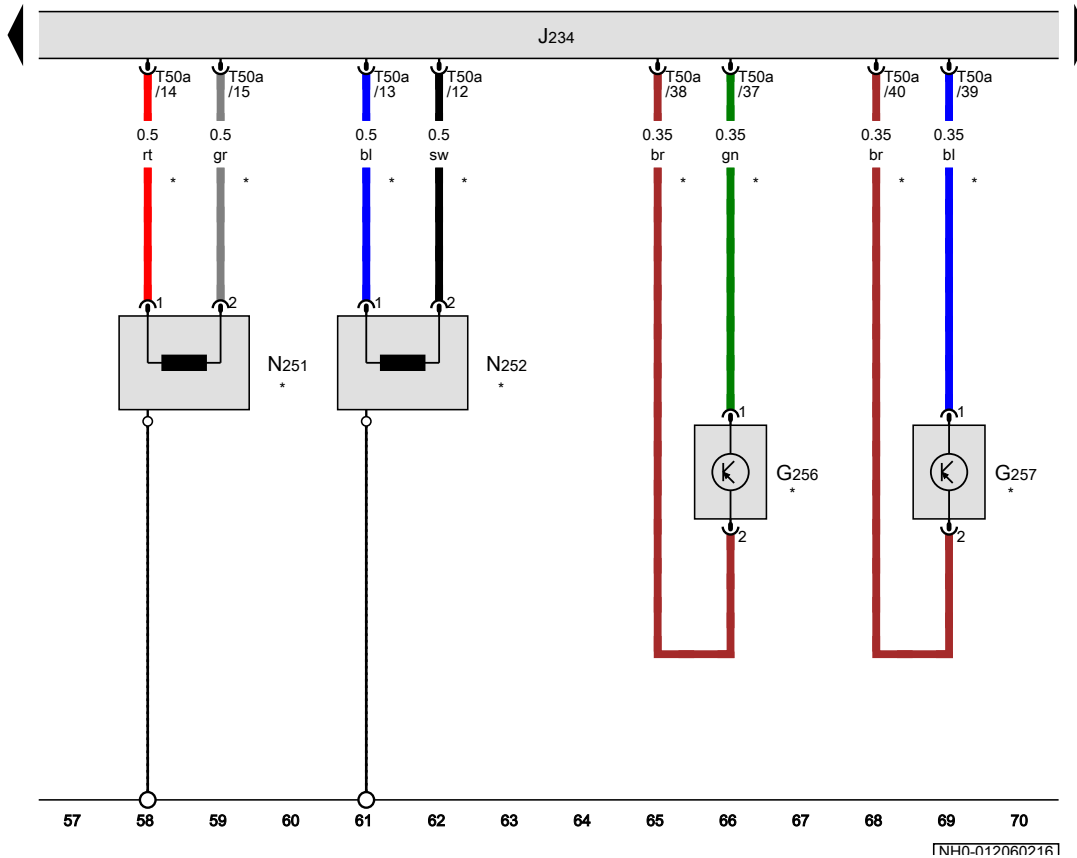
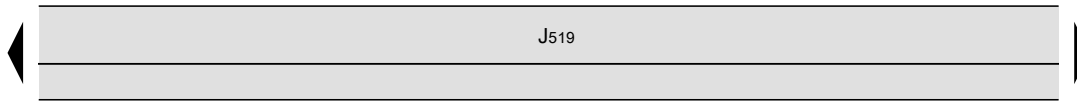
B637 Connection 1 (airbag), in main wiring harness

- * Only models with side airbags
- *2 see applicable current flow diagram for engine
- *3 Only models with battery in luggage compartment
- *4 Only models with front passenger airbag

- ws = white
- sw = black
- ro = red
- rt = red
- br = brown
- gn = green
- bl = blue
- gr = grey
- li = purple
- vi = purple
- ge = yellow
- or = orange
- rs = pink

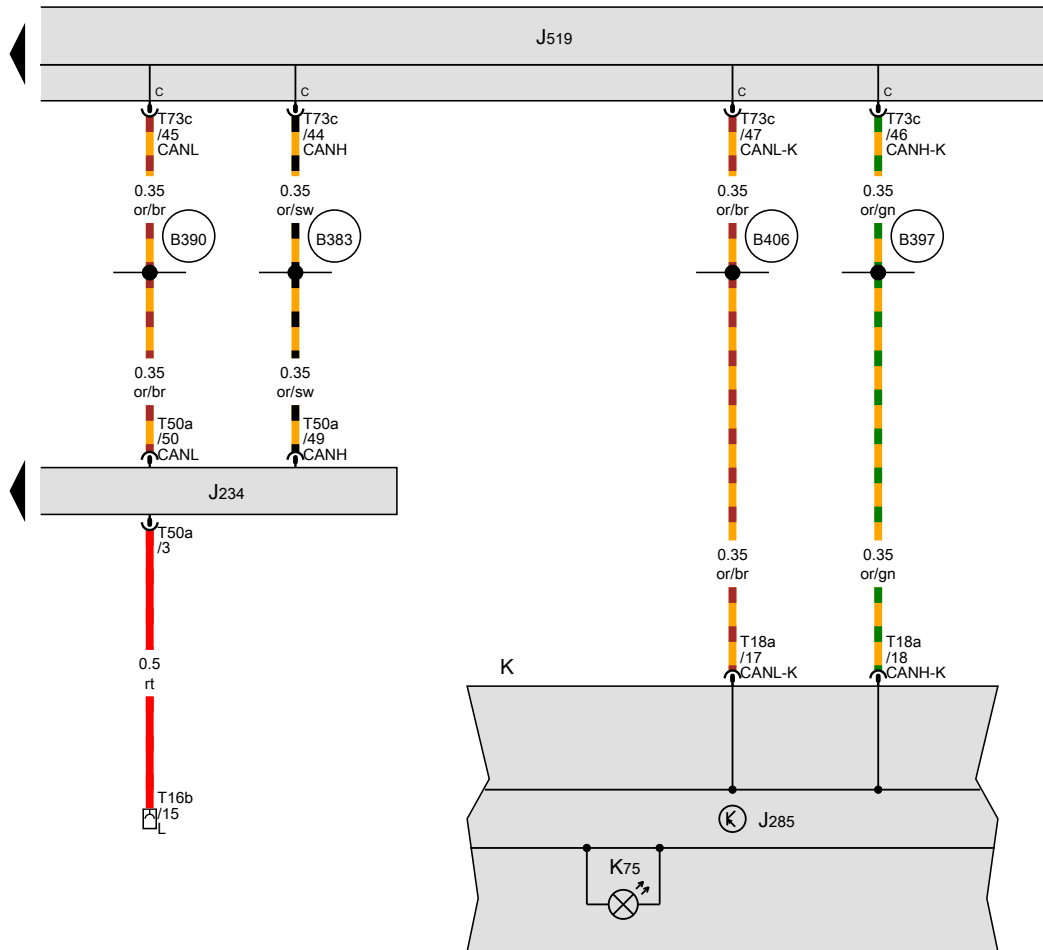
Rear side airbag crash sensor on driver side, Rear side airbag crash sensor on front passenger side, Airbag control unit, Driver side curtain airbag igniter, Front passenger side curtain airbag igniter

- G256 Rear side airbag crash sensor on driver side
- G257 Rear side airbag crash sensor on front passenger side
- J234 Airbag control unit
- J519 Onboard supply control unit
- N251 Driver side curtain airbag igniter
- N252 Front passenger side curtain airbag igniter
- T50a 50-pin connector
- * Only models with curtain/head airbag



[NH0-012060216]

Airbag control unit, Dash panel insert



- J234 Airbag control unit
- J285 Control unit in dash panel insert
- J519 Onboard supply control unit
- K Dash panel insert
- K75 Airbag warning lamp
- T16b 16-pin connector, on diagnostic connection
- T18a 18-pin connector
- T50a 50-pin connector
- T73c 73-pin connector, black

- B383** Connection 1 (powertrain CAN bus, high), in main wiring harness
- B390** Connection 1 (powertrain CAN bus, low), in main wiring harness
- B397** Connection 1 (convenience CAN bus, high), in main wiring harness
- B406** Connection 1 (convenience CAN bus, low), in main wiring harness

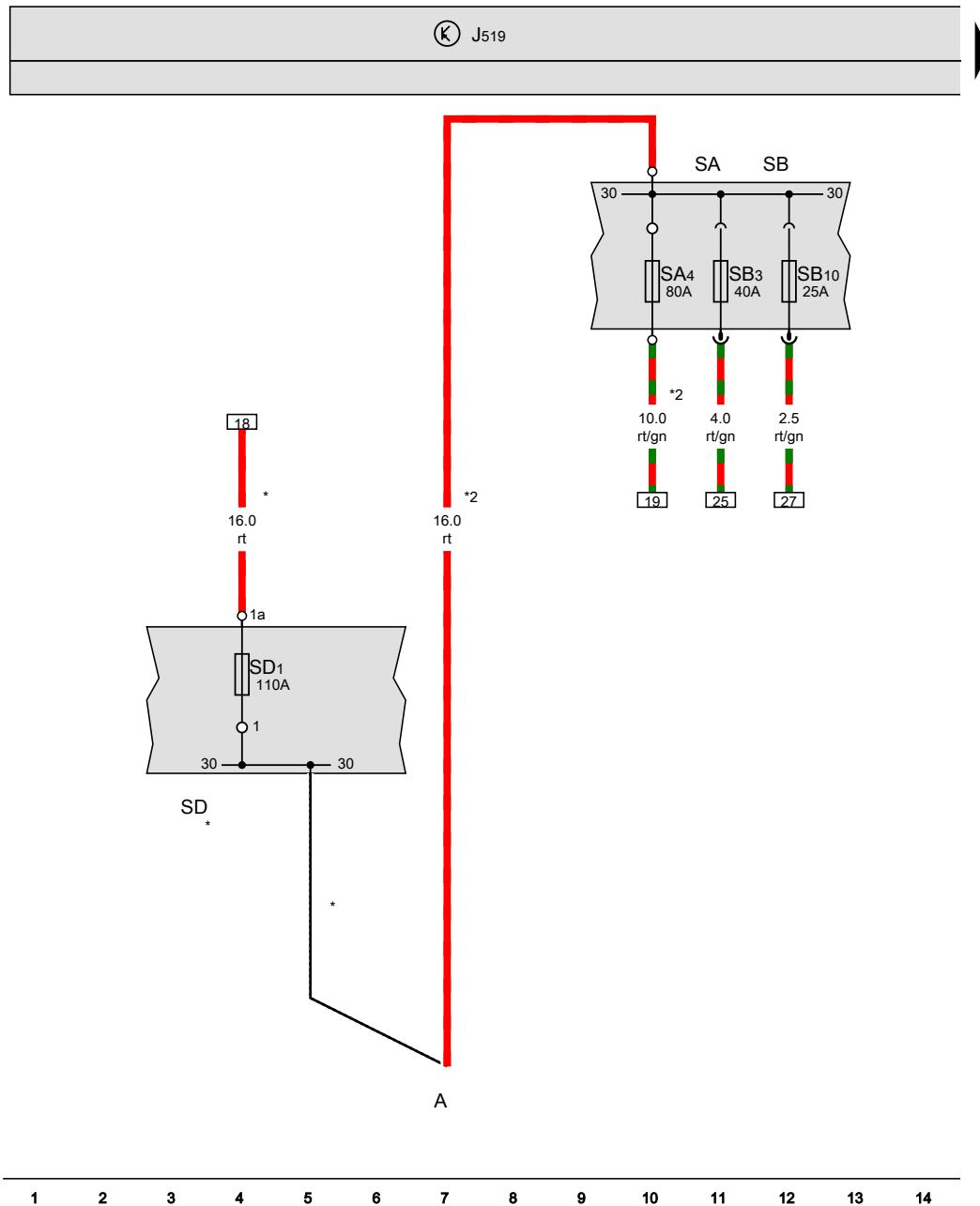
- ws = white
- sw = black
- ro = red
- rt = red
- br = brown
- gn = green
- bl = blue
- gr = grey
- li = purple
- vi = purple
- ge = yellow
- or = orange
- rs = pink

Anti-lock brake system (ABS) with electronic stabilisation program (ESP)

From May 2015

Battery, Fuse holder A, Fuse holder B, Fuse holder D

- A Battery
- J519 Onboard supply control unit
- SA Fuse holder A
- SB Fuse holder B
- SD Fuse holder D
- SD1 Fuse 1 on fuse holder D
- SB3 Fuse 3 on fuse holder B
- SA4 Fuse 4 in fuse holder A
- SB10 Fuse 10 on fuse holder B
- * Only models with battery in luggage compartment
- *2 Only models with battery in engine compartment



- ws = white
- sw = black
- ro = red
- rt = red
- br = brown
- gn = green
- bl = blue
- gr = grey
- li = purple
- vi = purple
- ge = yellow
- or = orange
- rs = pink

1 2 3 4 5 6 7 8 9 10 11 12 13 14

[NH0-013020515]

ABS control unit, Fuse holder C

- D Ignition/starter switch
- J104 ABS control unit
- J329 Terminal 15 voltage supply relay
- J519 Onboard supply control unit
- SC Fuse holder C
- SC30 Fuse 30 on fuse holder C
- SC54 Fuse 54 on fuse holder C
- T7a 7-pin connector
- T38a 38-pin connector
- T73c 73-pin connector, black

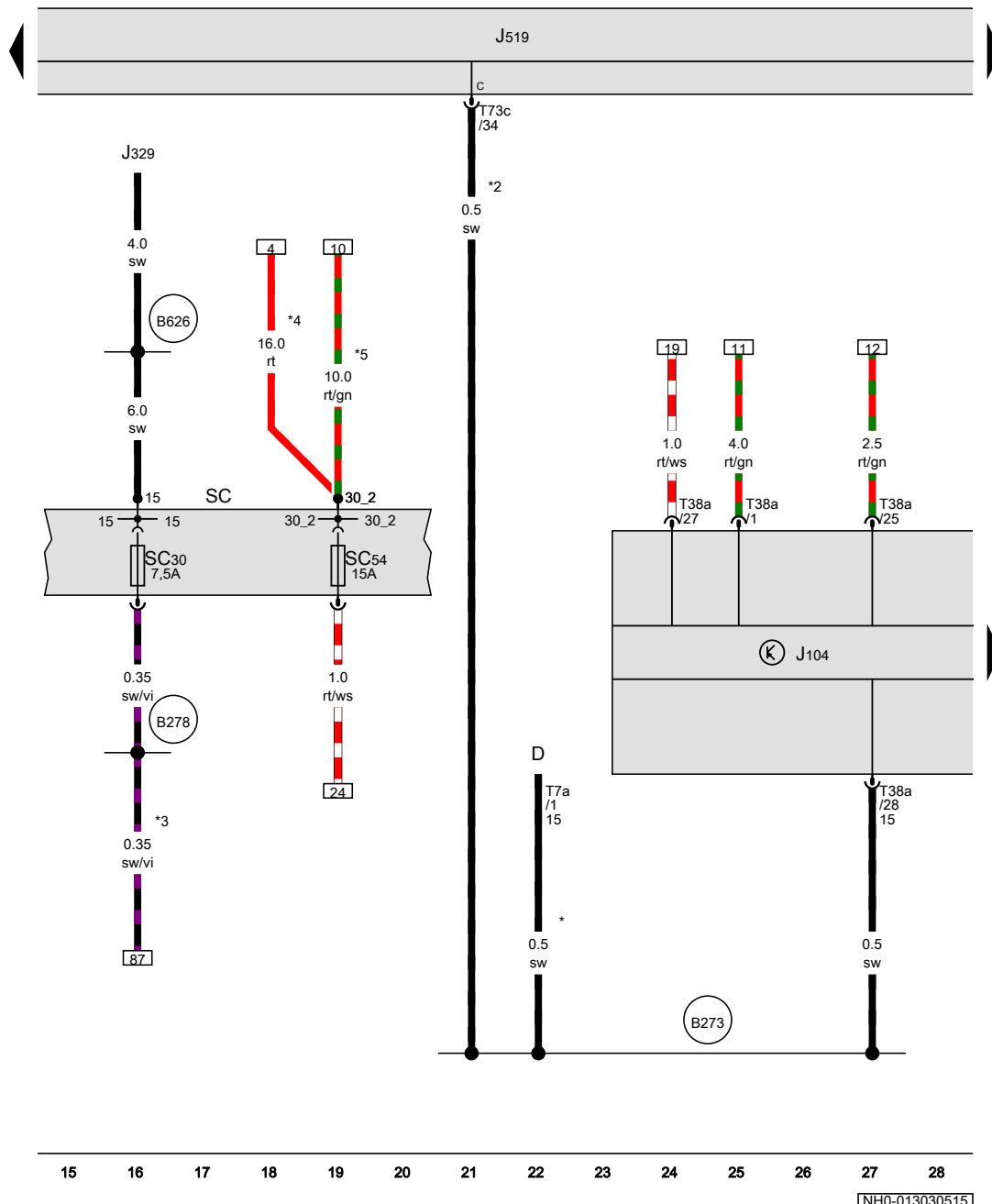
B273 Positive connection (15), in main wiring harness

B278 Positive connection 2 (15a) in main wiring harness

B626 Positive connection 2 (15), in main wiring harness

- * Only models with no entry and start authorisation
- *2 Only models with entry and start authorisation
- *3 According to equipment
- *4 Only models with battery in luggage compartment
- *5 Only models with battery in engine compartment

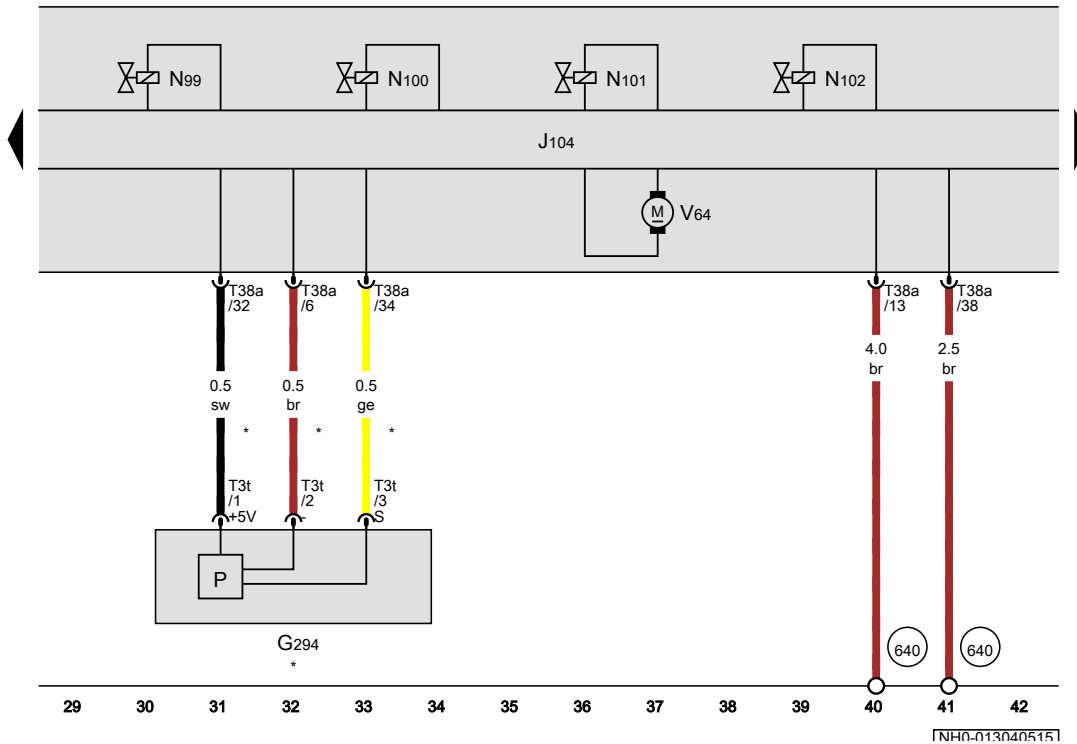
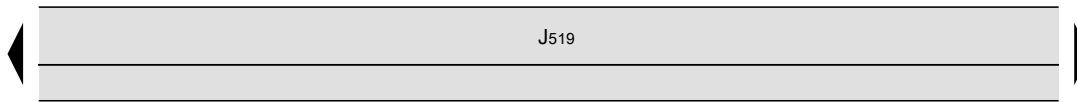
- ws = white
- sw = black
- ro = red
- rt = red
- br = brown
- gn = green
- bl = blue
- gr = grey
- li = purple
- vi = purple
- ge = yellow
- or = orange
- rs = pink



[NH0-013030515]

Brake servo pressure sensor, ABS control unit

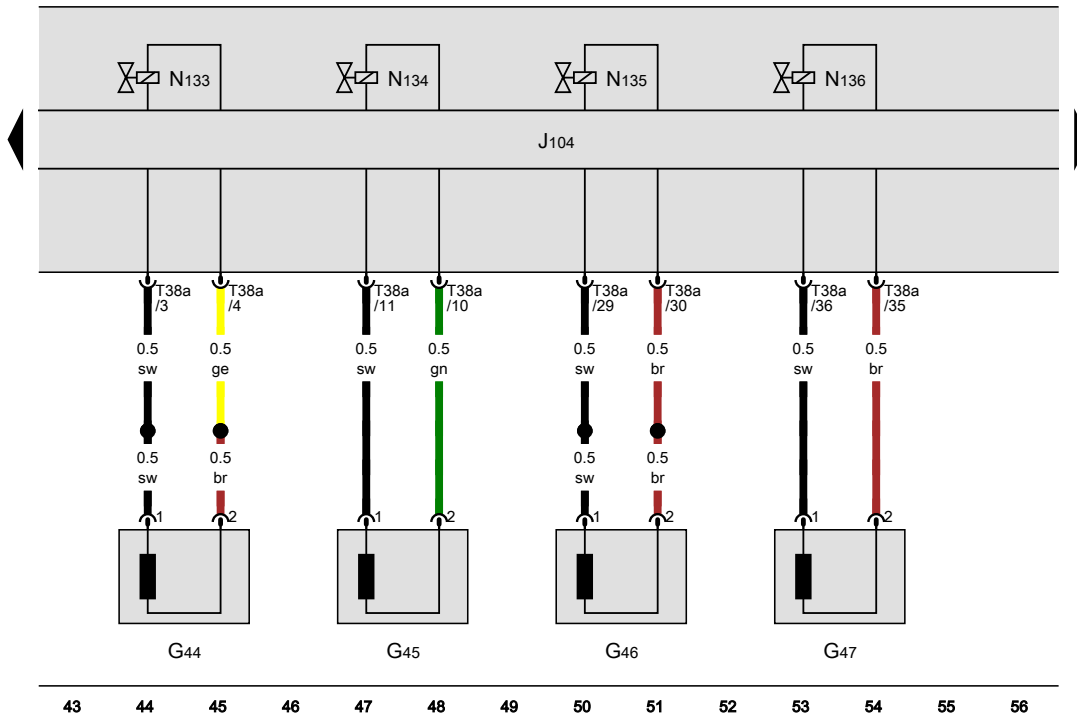
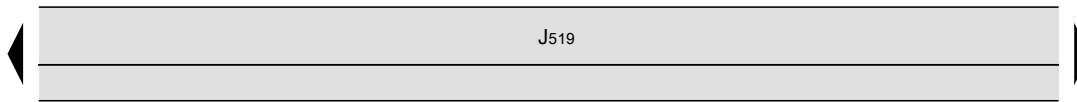
- G294 Brake servo pressure sensor
- J104 ABS control unit
- J519 Onboard supply control unit
- N99 Front right ABS inlet valve
- N100 Front right ABS outlet valve
- N101 Front left ABS inlet valve
- N102 Front left ABS outlet valve
- T3t 3-pin connector
- T38a 38-pin connector
- V64 ABS hydraulic pump
- 640 Earth point 2, left in engine compartment
- * According to equipment



[NH0-013040515]

Rear right speed sensor, Front right speed sensor, Rear left speed sensor, Front left speed sensor, ABS control unit

- G44 Rear right speed sensor
- G45 Front right speed sensor
- G46 Rear left speed sensor
- G47 Front left speed sensor
- J104 ABS control unit
- J519 Onboard supply control unit
- N133 Rear right ABS inlet valve
- N134 Rear left ABS inlet valve
- N135 Rear right ABS outlet valve
- N136 Rear left ABS outlet valve
- T38a 38-pin connector

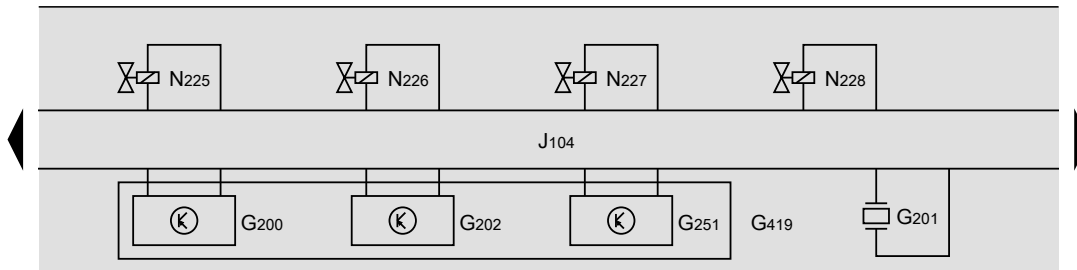
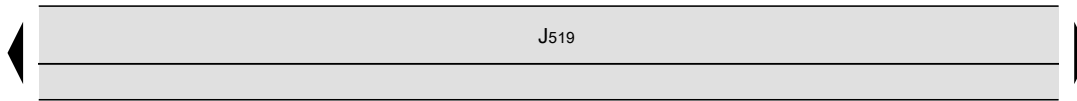


- ws = white
- sw = black
- ro = red
- rt = red
- br = brown
- gn = green
- bl = blue
- gr = grey
- li = purple
- vi = purple
- ge = yellow
- or = orange
- rs = pink

[NH0-013050515]

Sensor unit for electronic stabilisation program, ABS control unit

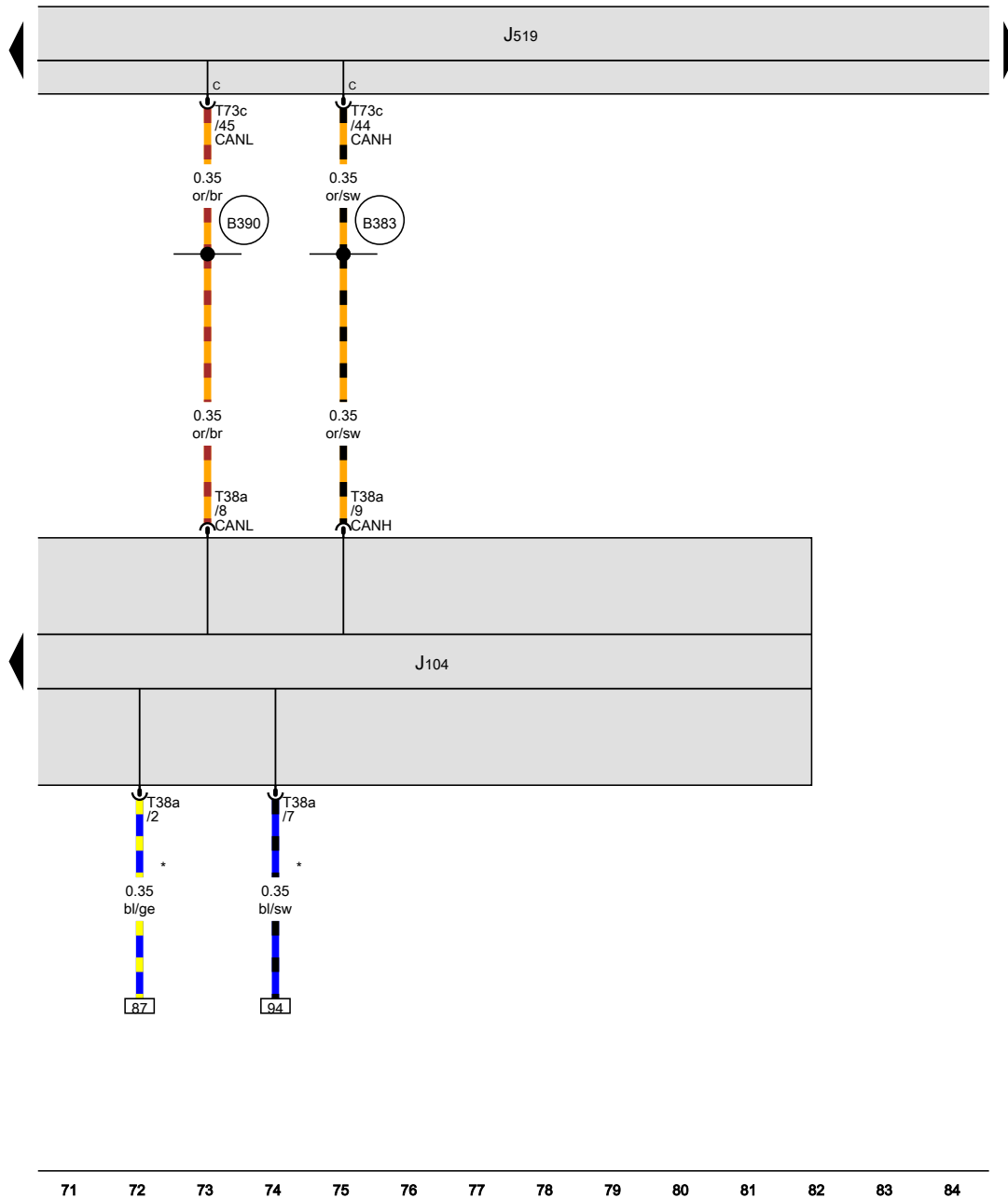
- G200 Lateral acceleration sender
- G201 Brake pressure sender 1
- G202 Yaw rate sender
- G251 Longitudinal acceleration sender
- G419 Sensor unit for electronic stabilisation program
- J104 ABS control unit
- J519 Onboard supply control unit
- N225 Vehicle stabilization program switch valve 1
- N226 Vehicle stabilization program switch valve 2
- N227 Vehicle stabilization program high-pressure valve 1
- N228 Vehicle stabilization program high-pressure valve 2



- ws = white
- sw = black
- ro = red
- rt = red
- br = brown
- gn = green
- bl = blue
- gr = grey
- li = purple
- vi = purple
- ge = yellow
- or = orange
- rs = pink

57 58 59 60 61 62 63 64 65 66 67 68 69 70

[NH0-013060515]



ABS control unit

- J104 ABS control unit
- J519 Onboard supply control unit
- T38a 38-pin connector
- T73c 73-pin connector, black

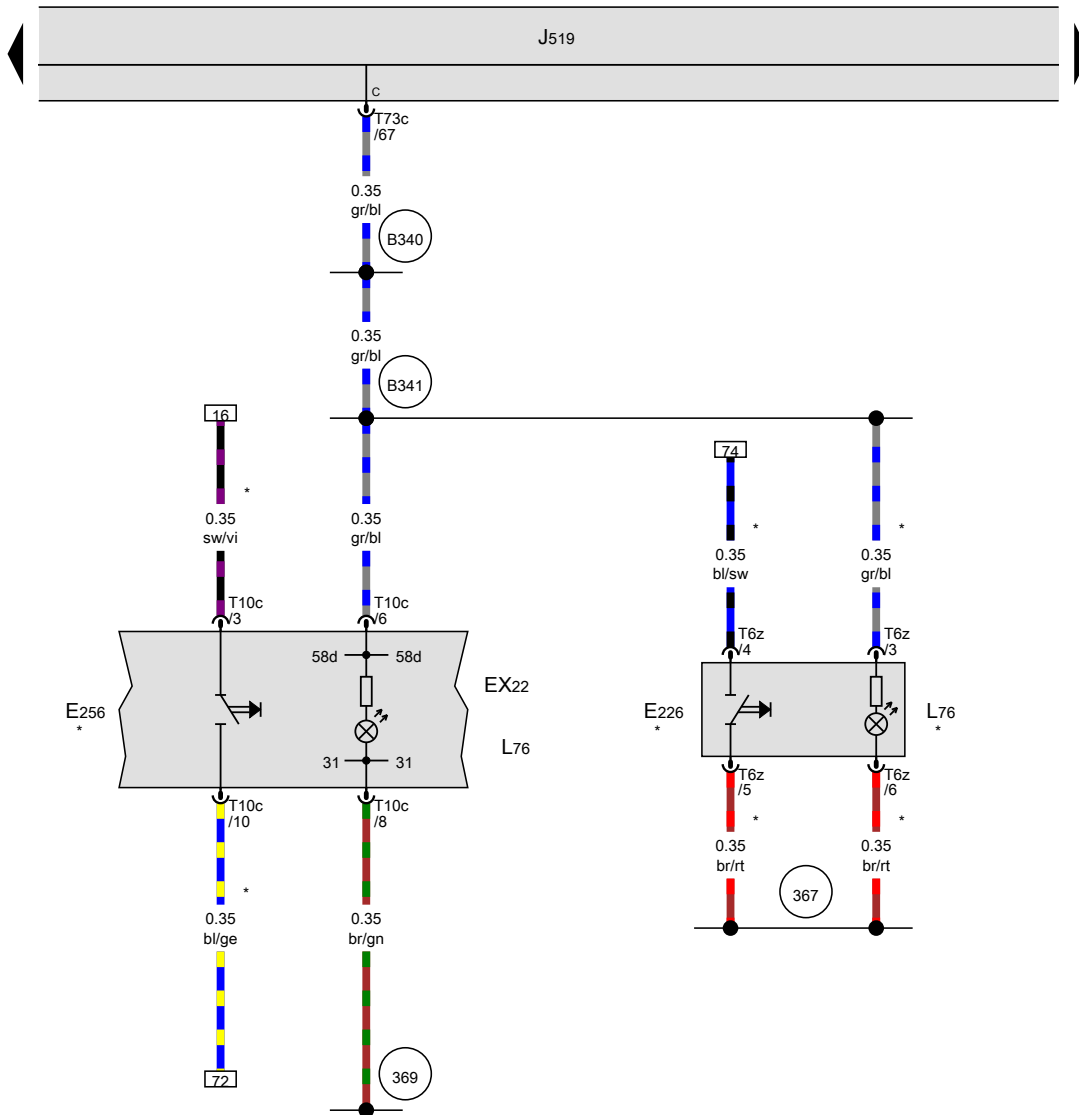
B383 Connection 1 (powertrain CAN bus, high), in main wiring harness

B390 Connection 1 (powertrain CAN bus, low), in main wiring harness

* According to equipment

- ws = white
- sw = black
- ro = red
- rt = red
- br = brown
- gn = green
- bl = blue
- gr = grey
- li = purple
- vi = purple
- ge = yellow
- or = orange
- rs = pink

[NH0-013070515]



Centre switch module in dash panel, Tyre Pressure Monitoring System button, Button for TCS and electronic stabilisation program

- EX22 Centre switch module in dash panel
- E226 Tyre Pressure Monitoring System button
- E256 Button for TCS and electronic stabilisation program
- J519 Onboard supply control unit
- L76 Button illumination bulb
- T6z 6-pin connector
- T10c 10-pin connector, black
- T73c 73-pin connector, black

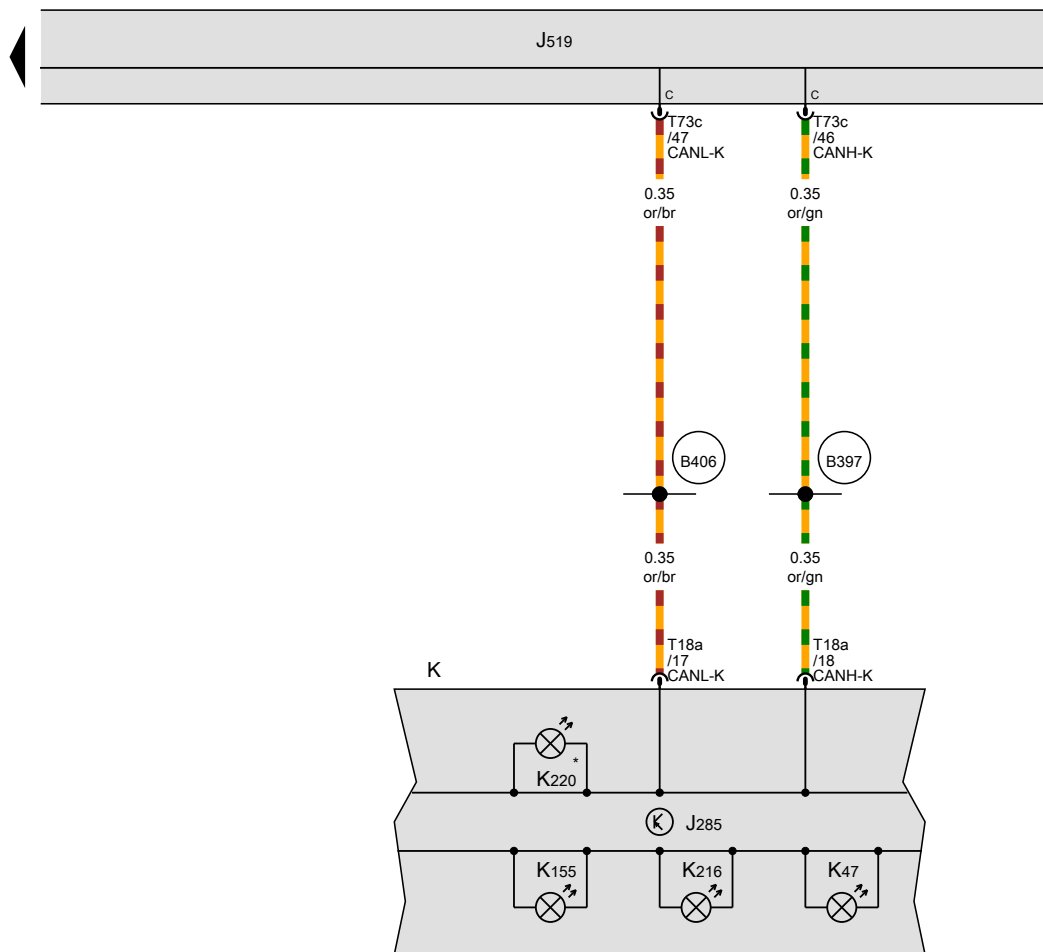
- 367 Earth connection 2, in main wiring harness
- 369 Earth connection 4, in main wiring harness
- B340 Connection 1 (58d), in main wiring harness
- B341 Connection 2 (58d), in main wiring harness

* According to equipment

- ws = white
- sw = black
- ro = red
- rt = red
- br = brown
- gn = green
- bl = blue
- gr = grey
- li = purple
- vi = purple
- ge = yellow
- or = orange
- rs = pink

85 86 87 88 89 90 91 92 93 94 95 96 97 98

[NH0-013080515]



Dash panel insert

- J285 Control unit in dash panel insert
- J519 Onboard supply control unit
- K Dash panel insert
- K47 ABS warning lamp
- K155 Warning lamp for electronic stabilisation program and TCS
- K216 Warning lamp 2 for electronic stabilisation program and TCS
- K220 Tyre Pressure Loss Indicator warning lamp
- T18a 18-pin connector
- T73c 73-pin connector, black
- B397** Connection 1 (convenience CAN bus, high), in main wiring harness
- B406** Connection 1 (convenience CAN bus, low), in main wiring harness
- * Only models with Tyre Pressure Monitoring System

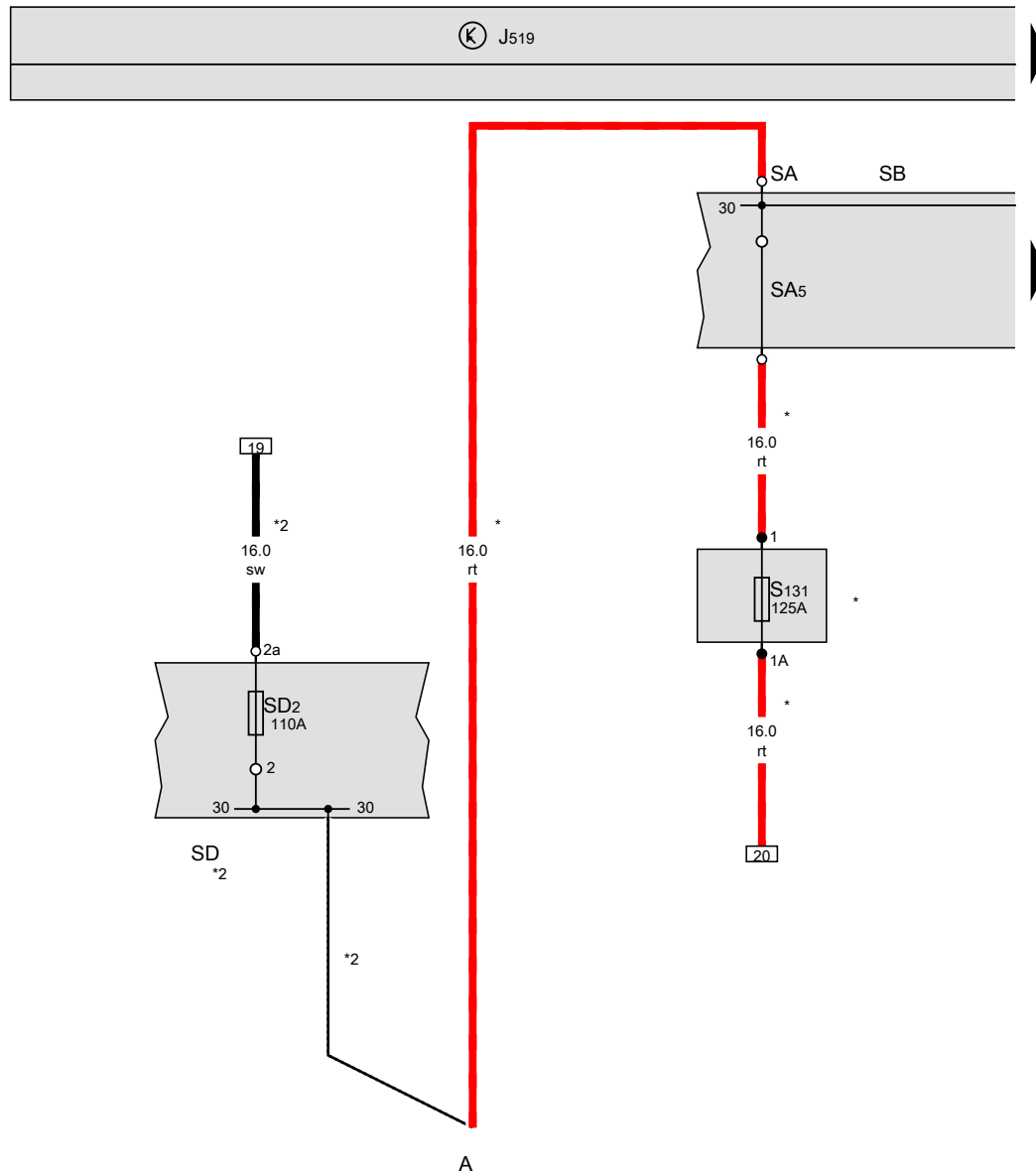
- ws = white
- sw = black
- ro = red
- rt = red
- br = brown
- gn = green
- bl = blue
- gr = grey
- li = purple
- vi = purple
- ge = yellow
- or = orange
- rs = pink

6-speed automatic gearbox 09G

From May 2015

Battery, Fuse holder A, Fuse holder B, Fuse holder D

- A Battery
- J519 Onboard supply control unit
- SD2 Fuse 2 on fuse holder D
- SA5 Fuse 5 in fuse holder A
- S131 Fuse 1, in main wiring harness
- SA Fuse holder A
- SB Fuse holder B
- SD Fuse holder D
- * Only models with battery in engine compartment
- *2 Only models with battery in luggage compartment

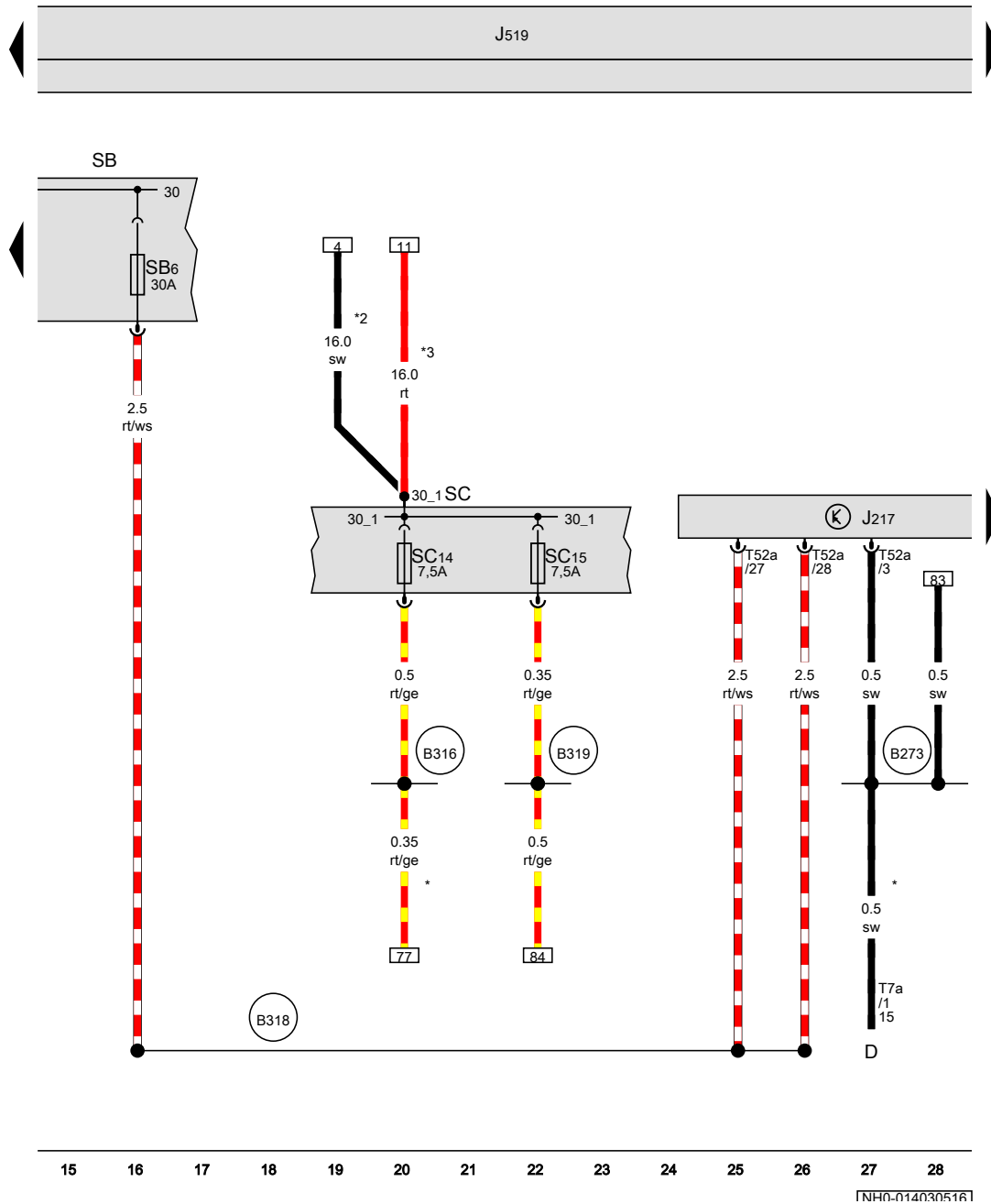


- ws = white
- sw = black
- ro = red
- rt = red
- br = brown
- gn = green
- bl = blue
- gr = grey
- li = purple
- vi = purple
- ge = yellow
- or = orange
- rs = pink

1 2 3 4 5 6 7 8 9 10 11 12 13 14

[NH0-014020516]

Automatic gearbox control unit, Fuse holder B, Fuse holder C



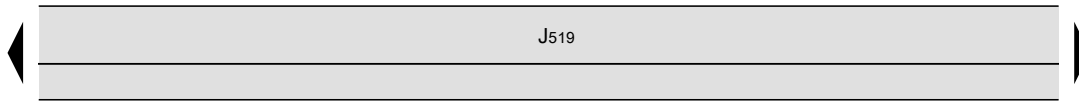
- D Ignition/starter switch
- J217 Automatic gearbox control unit
- J519 Onboard supply control unit
- SB Fuse holder B
- SB6 Fuse 6 on fuse holder B
- SC Fuse holder C
- SC14 Fuse 14 on fuse holder C
- SC15 Fuse 15 on fuse holder C
- T7a 7-pin connector
- T52a 52-pin connector

- B273 Positive connection (15), in main wiring harness
- B316 Positive connection 2 (30a) in main wiring harness
- B318 Positive connection 4 (30a) in main wiring harness
- B319 Positive connection 5 (30a) in main wiring harness

- * Only models with no entry and start authorisation
- *2 Only models with battery in luggage compartment
- *3 Only models with battery in engine compartment

- ws = white
- sw = black
- ro = red
- rt = red
- br = brown
- gn = green
- bl = blue
- gr = grey
- li = purple
- vi = purple
- ge = yellow
- or = orange
- rs = pink

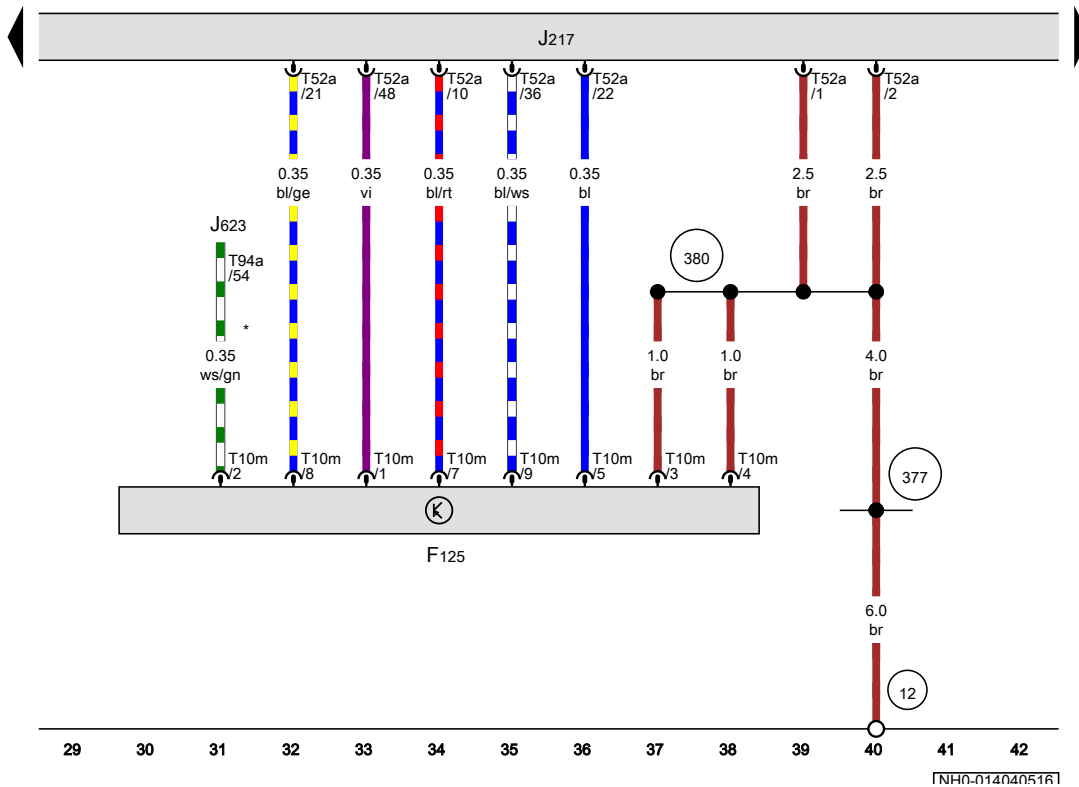
[NH0-014030516]



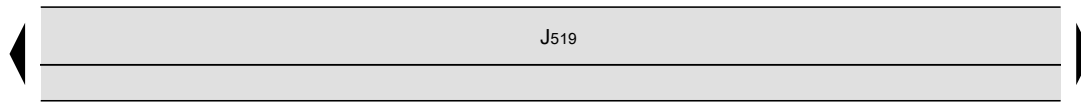
Multifunction switch, Automatic gearbox control unit

- F125 Multifunction switch
- J217 Automatic gearbox control unit
- J519 Onboard supply control unit
- J623 Engine control unit
- T10m 10-pin connector
- T52a 52-pin connector
- T94a 94-pin connector

- 12 Earth point, on left in engine compartment
- 377 Earth connection 12, in main wiring harness
- 380 Earth connection 15, in main wiring harness
- * see applicable current flow diagram for engine

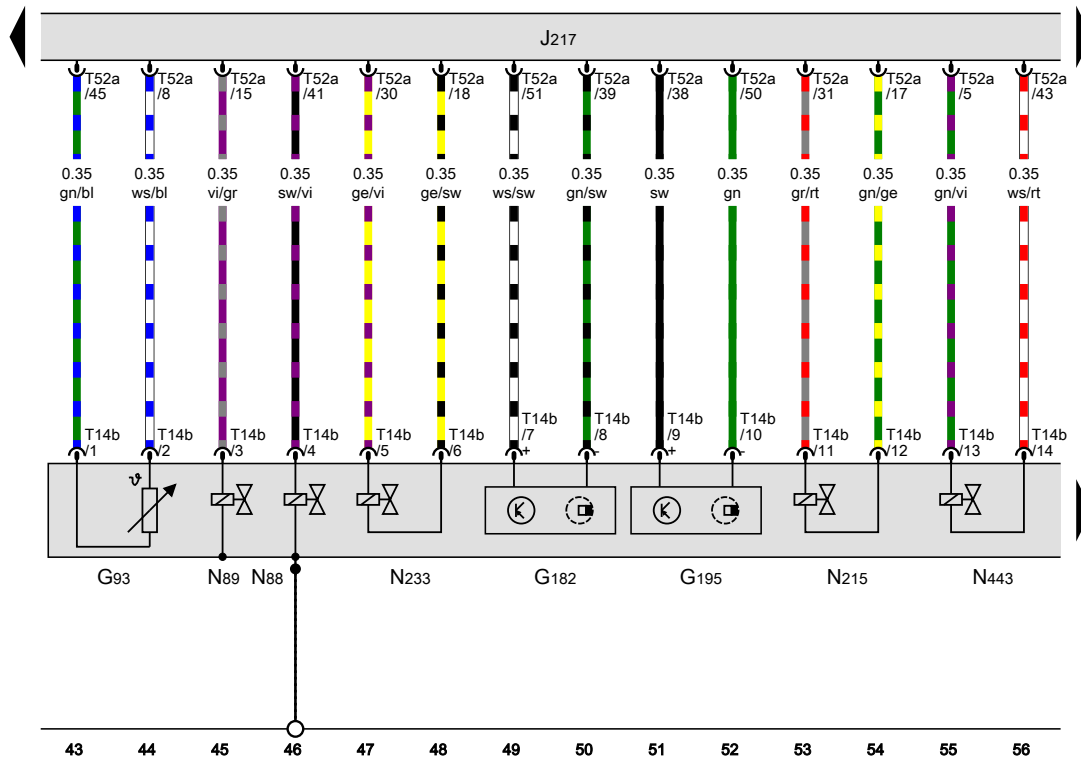


[NH0-014040516]



Gearbox oil temperature sender, Gearbox input speed sender, Gearbox output speed sender, Automatic gearbox control unit, Solenoid valve 1, Solenoid valve 2, Automatic gearbox pressure regulating valve 1, Automatic gearbox pressure regulating valve 5, Automatic gearbox pressure regulating valve 7

- G93 Gearbox oil temperature sender
- G182 Gearbox input speed sender
- G195 Gearbox output speed sender
- J217 Automatic gearbox control unit
- J519 Onboard supply control unit
- N88 Solenoid valve 1
- N89 Solenoid valve 2
- N215 Automatic gearbox pressure regulating valve 1
- N233 Automatic gearbox pressure regulating valve 5
- N443 Automatic gearbox pressure regulating valve 7
- T14b 14-pin connector
- T52a 52-pin connector

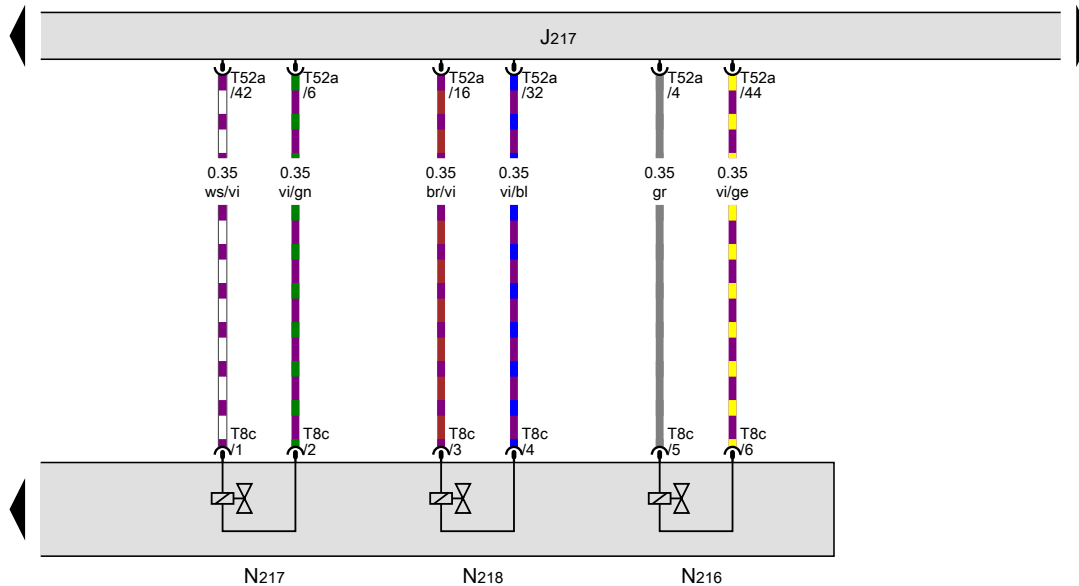
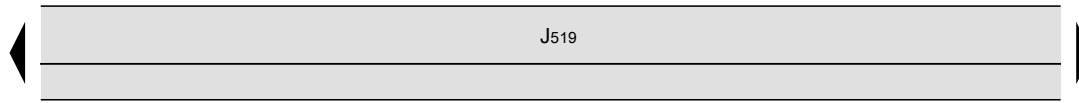


- ws = white
- sw = black
- ro = red
- rt = red
- br = brown
- gn = green
- bl = blue
- gr = grey
- li = purple
- vi = purple
- ge = yellow
- or = orange
- rs = pink

[NH0-014050516]

Automatic gearbox control unit, Automatic gearbox pressure regulating valve 2, Automatic gearbox pressure regulating valve 3, Automatic gearbox pressure regulating valve 4

- J217 Automatic gearbox control unit
- J519 Onboard supply control unit
- N216 Automatic gearbox pressure regulating valve 2
- N217 Automatic gearbox pressure regulating valve 3
- N218 Automatic gearbox pressure regulating valve 4
- T8c 8-pin connector
- T52a 52-pin connector



- ws = white
- sw = black
- ro = red
- rt = red
- br = brown
- gn = green
- bl = blue
- gr = grey
- li = purple
- vi = purple
- ge = yellow
- or = orange
- rs = pink

Tiptronic switch, Selector lever locked in position P switch, Automatic gearbox control unit, Ignition key withdrawal lock solenoid

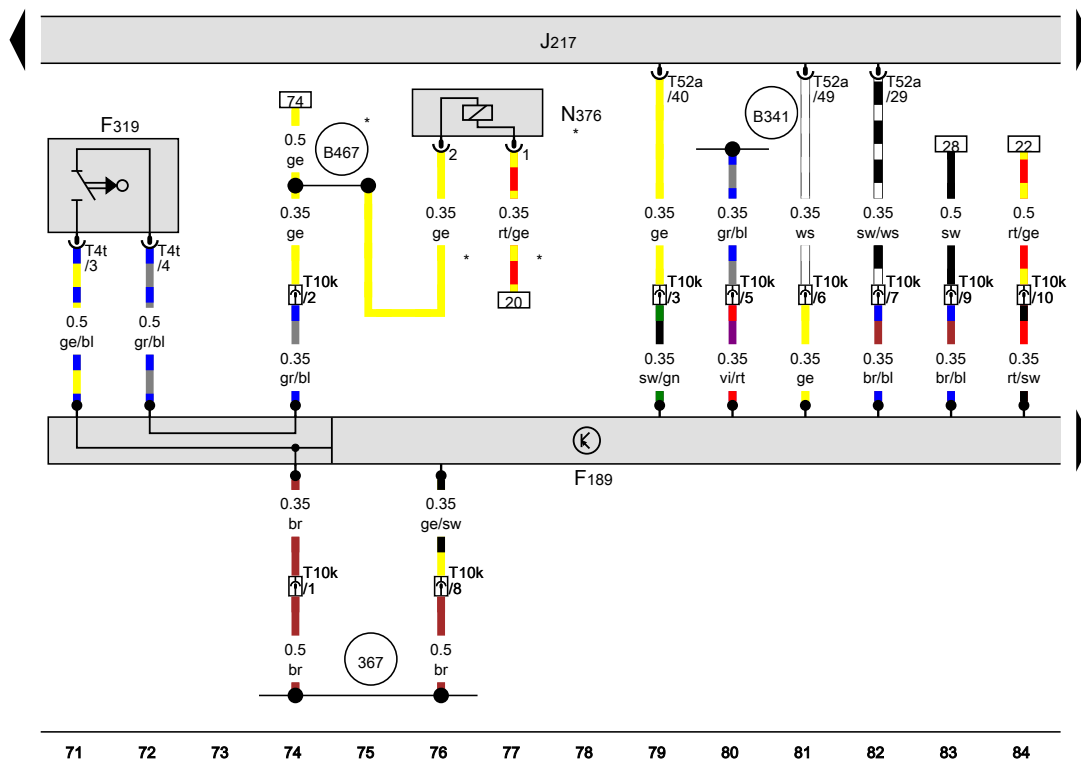
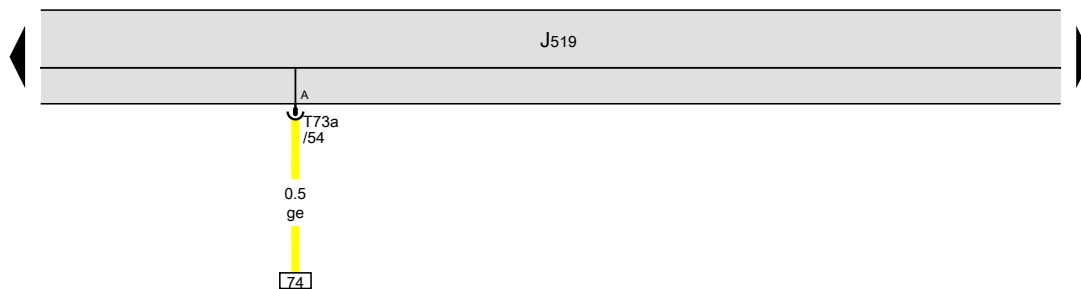
- F189 Tiptronic switch
- F319 Selector lever locked in position P switch
- J217 Automatic gearbox control unit
- J519 Onboard supply control unit
- N376 Ignition key withdrawal lock solenoid
- T4t 4-pin connector
- T10k 10-pin connector
- T52a 52-pin connector
- T73a 73-pin connector, black

(367) Earth connection 2, in main wiring harness

(B341) Connection 2 (58d), in main wiring harness

(B467) Connection 3, in main wiring harness

* Only models with no entry and start authorisation

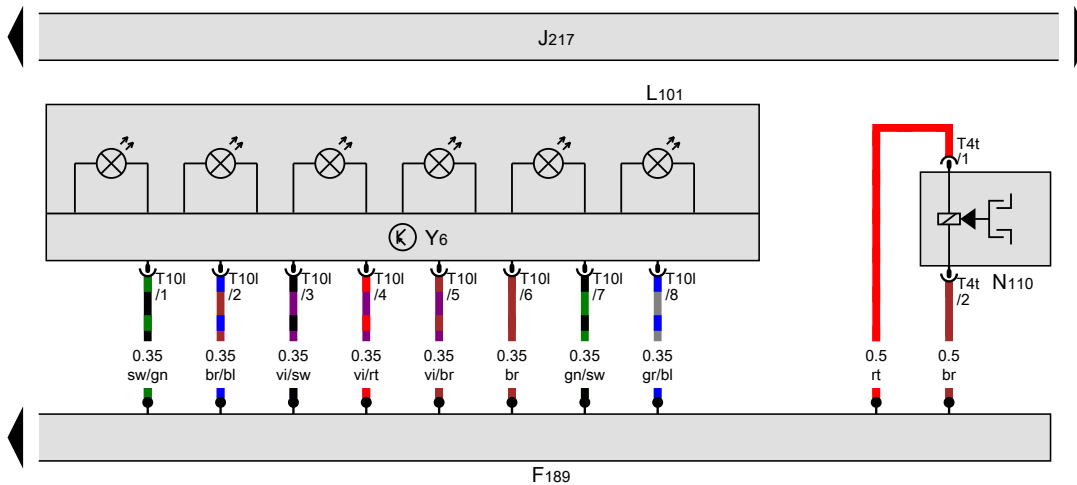


- ws = white
- sw = black
- ro = red
- rt = red
- br = brown
- gn = green
- bl = blue
- gr = grey
- li = purple
- vi = purple
- ge = yellow
- or = orange
- rs = pink

[NH0-014070516]

Tiptronic switch, Automatic gearbox control unit, Selector lever lock solenoid, Selector lever position display

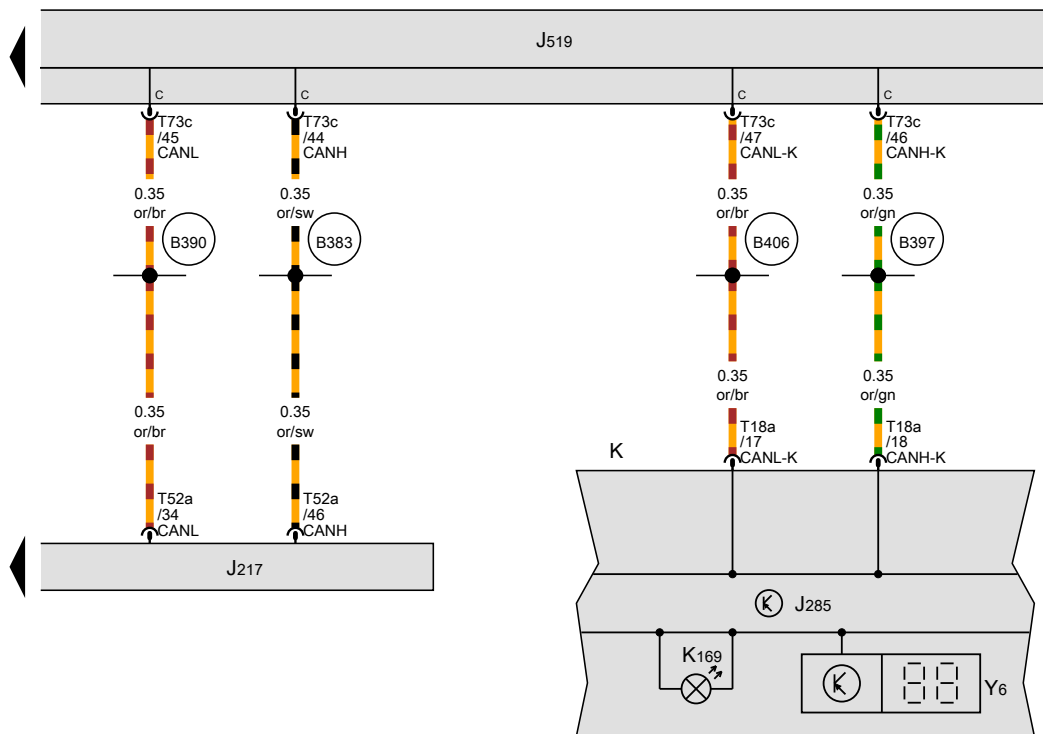
- F189 Tiptronic switch
- J217 Automatic gearbox control unit
- J519 Onboard supply control unit
- L101 Selector lever display illumination bulb
- M16 Left reversing light bulb
- M17 Right reversing light bulb
- N110 Selector lever lock solenoid
- T4t 4-pin connector
- T10l 10-pin connector
- T73c 73-pin connector, black
- Y6 Selector lever position display
- B520 Connection (RL), in main wiring harness



- ws = white
- sw = black
- ro = red
- rt = red
- br = brown
- gn = green
- bl = blue
- gr = grey
- li = purple
- vi = purple
- ge = yellow
- or = orange
- rs = pink

85 86 87 88 89 90 91 92 93 94 95 96 97 98

[NH0-0140R0516]



Automatic gearbox control unit, Dash panel insert

- J217 Automatic gearbox control unit
- J285 Control unit in dash panel insert
- J519 Onboard supply control unit
- K Dash panel insert
- K169 Selector lever lock warning lamp
- T18a 18-pin connector
- T52a 52-pin connector
- T73c 73-pin connector, black
- Y6 Selector lever position display

- B383** Connection 1 (powertrain CAN bus, high), in main wiring harness
- B390** Connection 1 (powertrain CAN bus, low), in main wiring harness
- B397** Connection 1 (convenience CAN bus, high), in main wiring harness
- B406** Connection 1 (convenience CAN bus, low), in main wiring harness

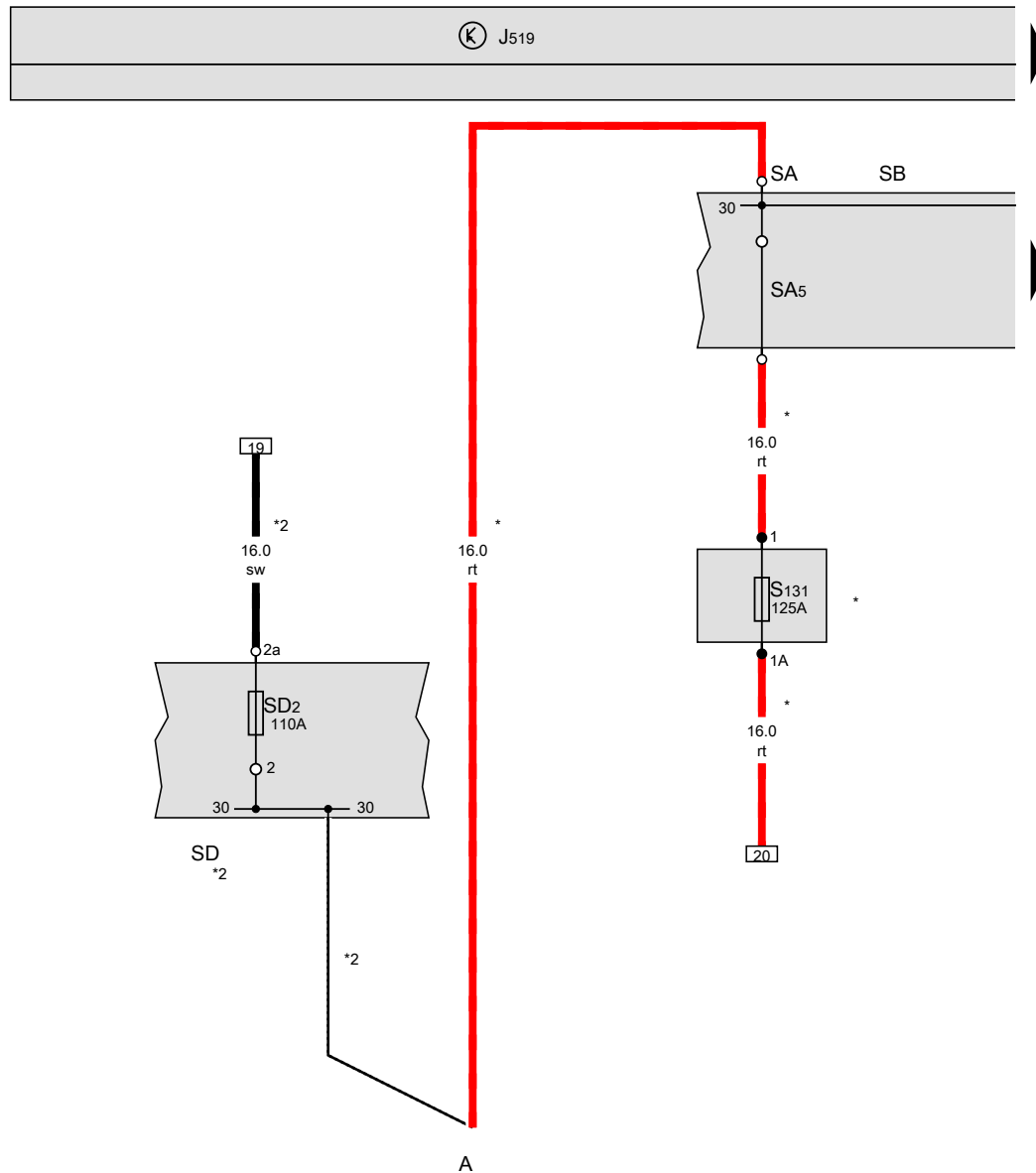
- ws = white
- sw = black
- ro = red
- rt = red
- br = brown
- gn = green
- bl = blue
- gr = grey
- li = purple
- vi = purple
- ge = yellow
- or = orange
- rs = pink

Dual clutch gearbox 0CW

From May 2015

Battery, Fuse holder A, Fuse holder B, Fuse holder D

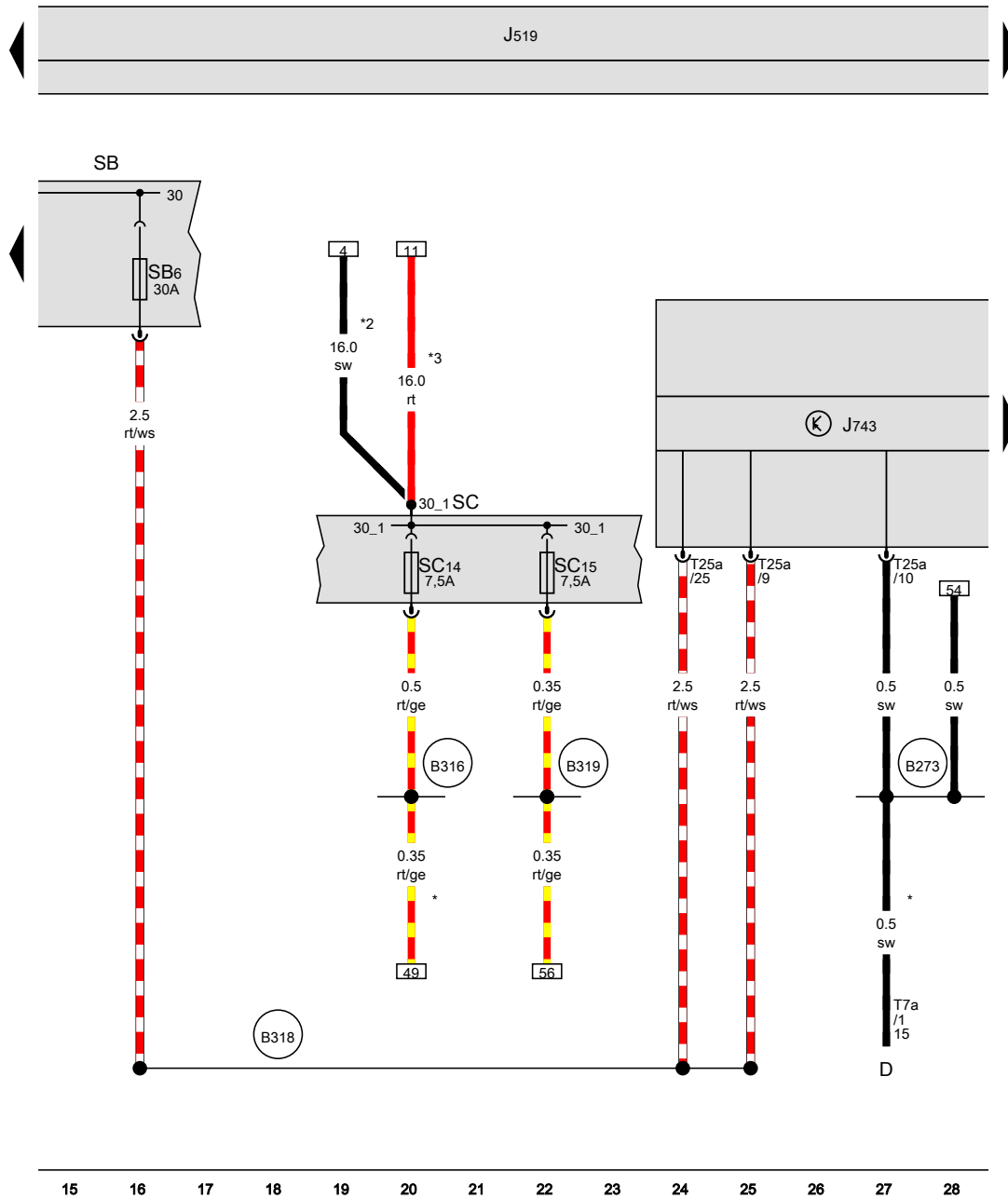
- A Battery
- J519 Onboard supply control unit
- SD2 Fuse 2 on fuse holder D
- SA5 Fuse 5 in fuse holder A
- S131 Fuse 1, in main wiring harness
- SA Fuse holder A
- SB Fuse holder B
- SD Fuse holder D
- * Only models with battery in engine compartment
- *2 Only models with battery in luggage compartment



- ws = white
- sw = black
- ro = red
- rt = red
- br = brown
- gn = green
- bl = blue
- gr = grey
- li = purple
- vi = purple
- ge = yellow
- or = orange
- rs = pink

1 2 3 4 5 6 7 8 9 10 11 12 13 14

[NH0-015020216]



Mechatronic unit for dual clutch gearbox, Fuse holder B, Fuse holder C

- D Ignition/starter switch
- J519 Onboard supply control unit
- J743 Mechatronic unit for dual clutch gearbox
- SB Fuse holder B
- SB6 Fuse 6 on fuse holder B
- SC Fuse holder C
- SC14 Fuse 14 on fuse holder C
- SC15 Fuse 15 on fuse holder C
- T7a 7-pin connector
- T25a 25-pin connector

- (B273) Positive connection (15), in main wiring harness
- (B316) Positive connection 2 (30a) in main wiring harness
- (B318) Positive connection 4 (30a) in main wiring harness
- (B319) Positive connection 5 (30a) in main wiring harness

- * Only models with no entry and start authorisation
- *2 Only models with battery in luggage compartment
- *3 Only models with battery in engine compartment

- ws = white
- sw = black
- ro = red
- rt = red
- br = brown
- gn = green
- bl = blue
- gr = grey
- li = purple
- vi = purple
- ge = yellow
- or = orange
- rs = pink

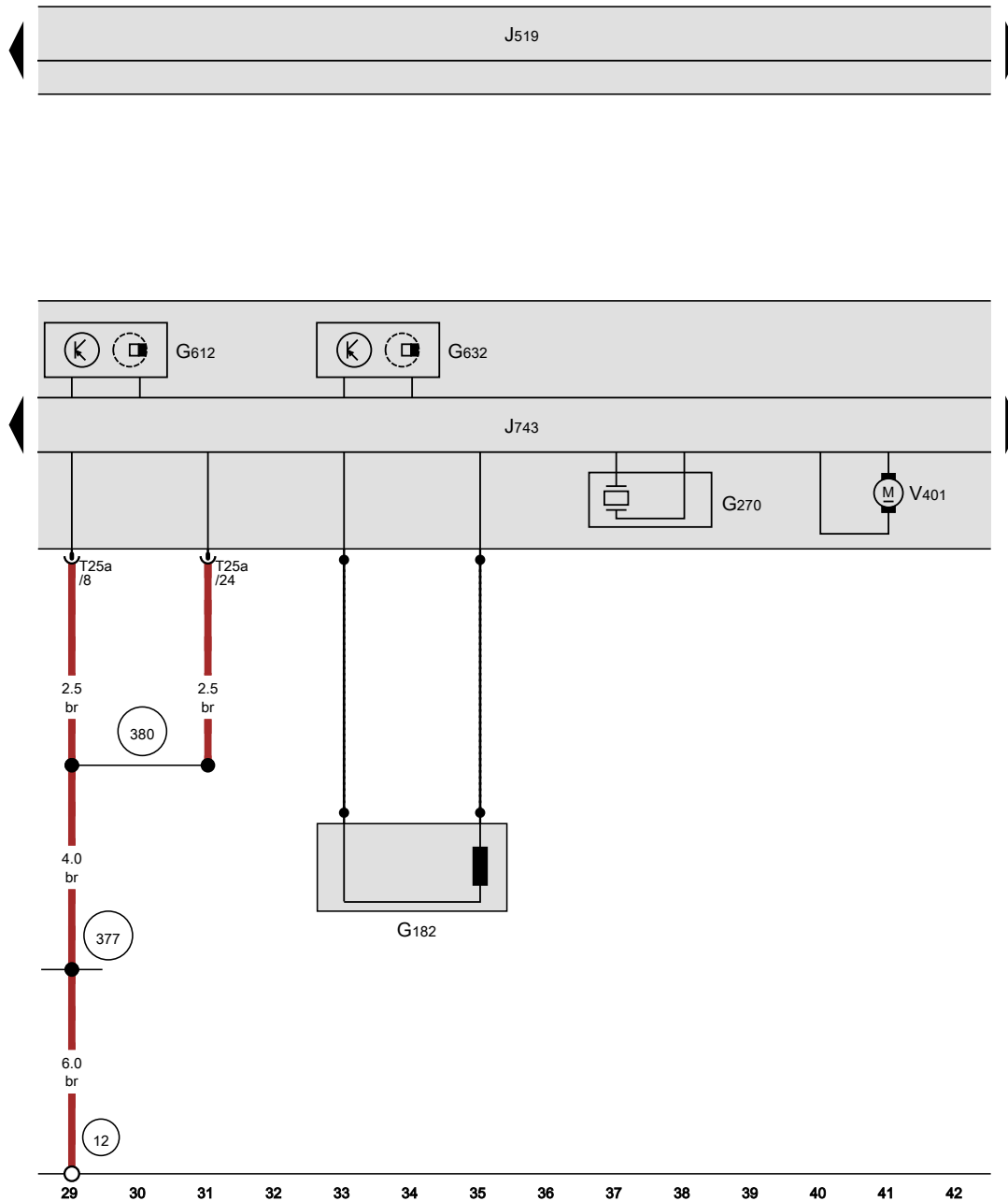
15 16 17 18 19 20 21 22 23 24 25 26 27 28

[NH0-015030216]

Gearbox input speed sender, Gearbox hydraulic pressure sender, Mechatronic unit for dual clutch gearbox, Hydraulic pump motor

- G182 Gearbox input speed sender
- G270 Gearbox hydraulic pressure sender
- G612 Gearbox input speed sender 2
- G632 Gearbox input speed sender 1
- J519 Onboard supply control unit
- J743 Mechatronic unit for dual clutch gearbox
- T25a 25-pin connector
- V401 Hydraulic pump motor

- 12 Earth point, on left in engine compartment
- 377 Earth connection 12, in main wiring harness
- 380 Earth connection 15, in main wiring harness



- ws = white
- sw = black
- ro = red
- rt = red
- br = brown
- gn = green
- bl = blue
- gr = grey
- li = purple
- vi = purple
- ge = yellow
- or = orange
- rs = pink

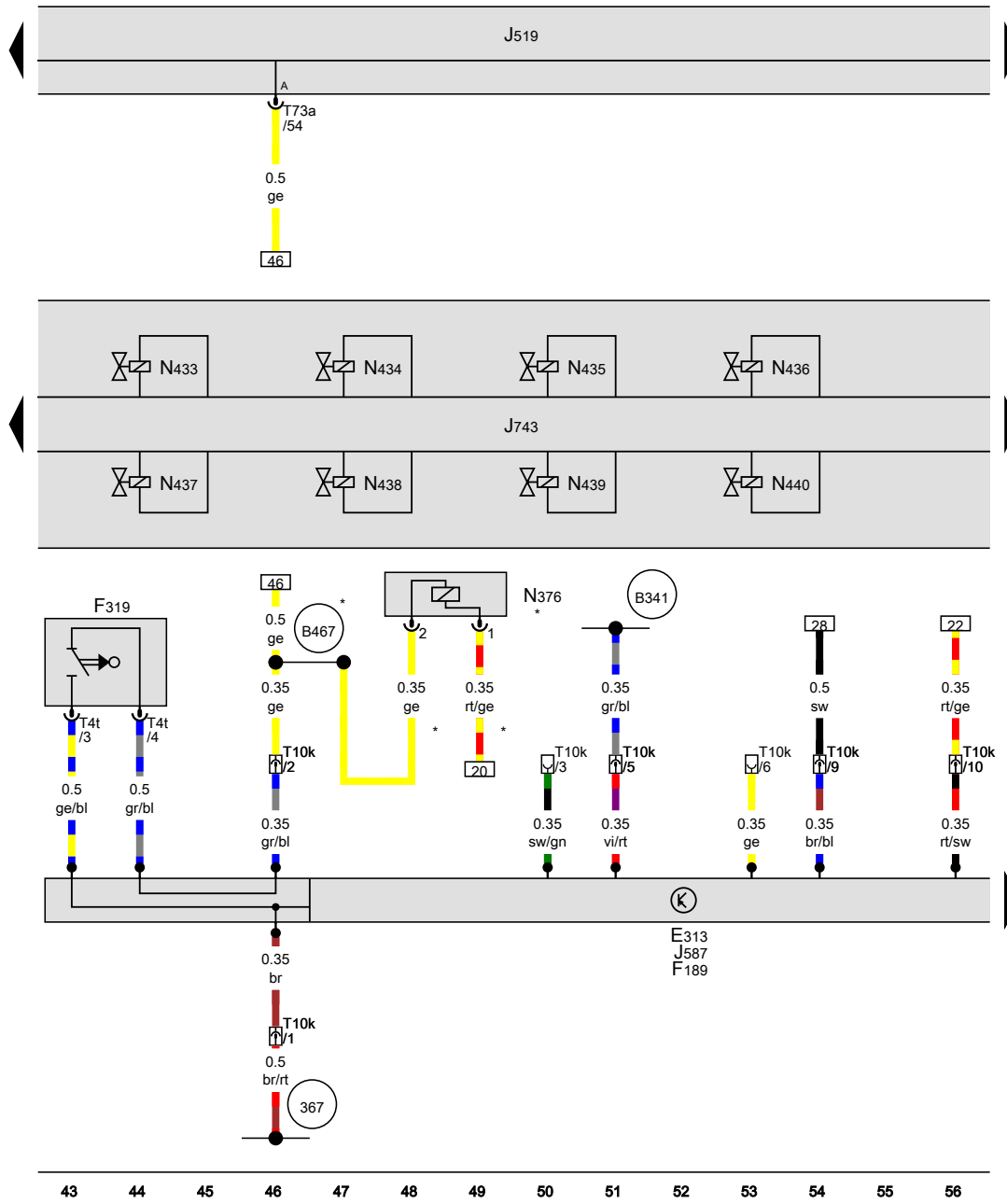
[NH0-015040216]

Selector lever, Selector lever locked in position P switch, Mechatronic unit for dual clutch gearbox, Ignition key withdrawal lock solenoid

- E313 Selector lever
- F189 Tiptronic switch
- F319 Selector lever locked in position P switch
- J519 Onboard supply control unit
- J587 Selector lever sensors control unit
- J743 Mechatronic unit for dual clutch gearbox
- N376 Ignition key withdrawal lock solenoid
- N433 Valve 1 in sub-gearbox 1
- N434 Valve 2 in sub-gearbox 1
- N435 Valve 3 in sub-gearbox 1
- N436 Valve 4 in sub-gearbox 1
- N437 Valve 1 in sub-gearbox 2
- N438 Valve 2 in sub-gearbox 2
- N439 Valve 3 in sub-gearbox 2
- N440 Valve 4 in sub-gearbox 2
- T4t 4-pin connector
- T10k 10-pin connector
- T73a 73-pin connector, black

- 367 Earth connection 2, in main wiring harness
- B341 Connection 2 (58d), in main wiring harness
- B467 Connection 3, in main wiring harness

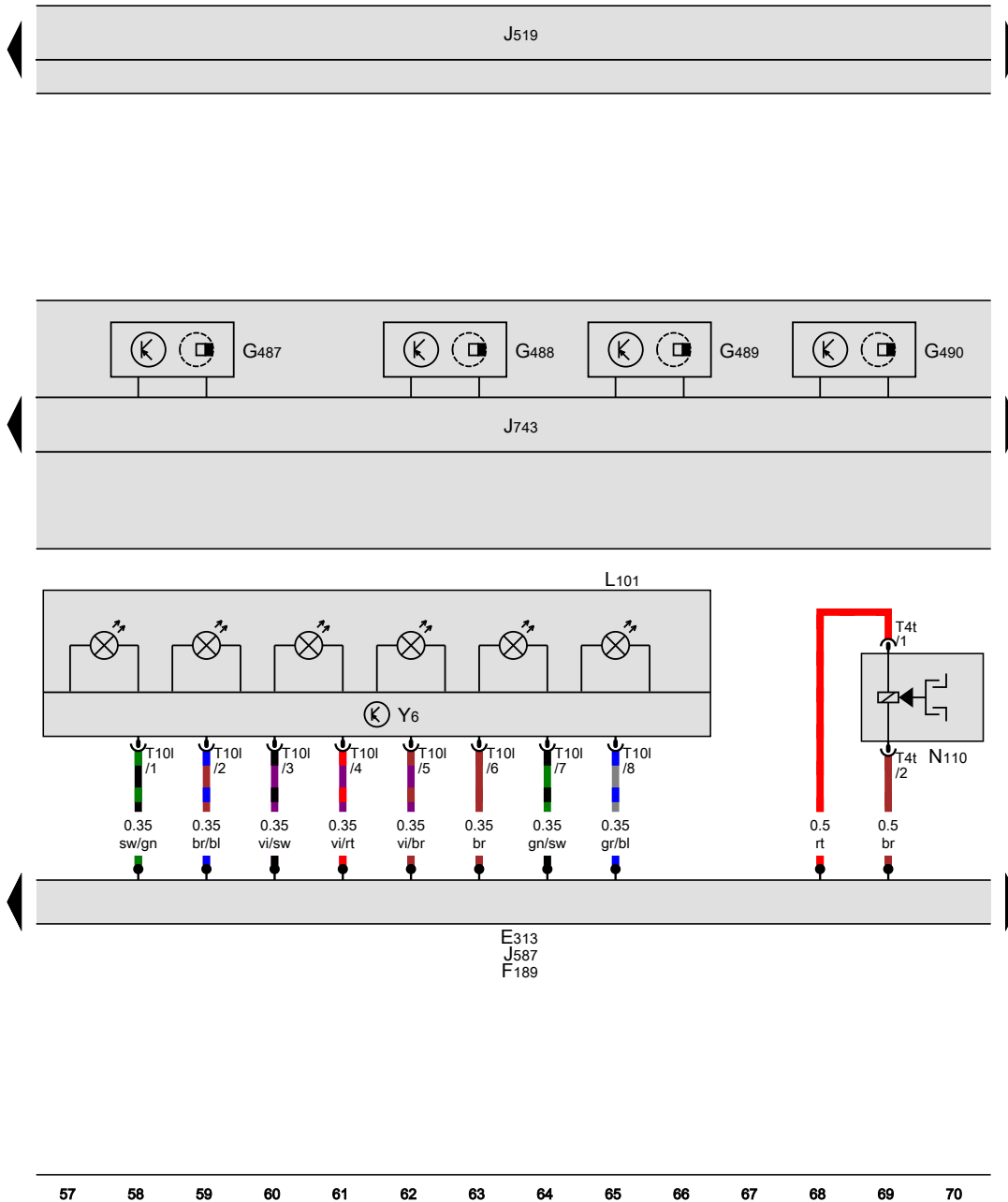
* Only models with no entry and start authorisation



- ws = white
- sw = black
- ro = red
- rt = red
- br = brown
- gn = green
- bl = blue
- gr = grey
- li = purple
- vi = purple
- ge = yellow
- or = orange
- rs = pink

Selector lever, Mechatronic unit for dual clutch gearbox, Selector lever lock solenoid, Selector lever position display

- E313 Selector lever
- F189 Tiptronic switch
- G487 Gear selector movement sensor 1
- G488 Gear selector movement sensor 2
- G489 Gear selector movement sensor 3
- G490 Gear selector movement sensor 4
- J519 Onboard supply control unit
- J587 Selector lever sensors control unit
- J743 Mechatronic unit for dual clutch gearbox
- L101 Selector lever display illumination bulb
- N110 Selector lever lock solenoid
- T4t 4-pin connector
- T10l 10-pin connector
- Y6 Selector lever position display



- ws = white
- sw = black
- ro = red
- rt = red
- br = brown
- gn = green
- bl = blue
- gr = grey
- li = purple
- vi = purple
- ge = yellow
- or = orange
- rs = pink

57 58 59 60 61 62 63 64 65 66 67 68 69 70

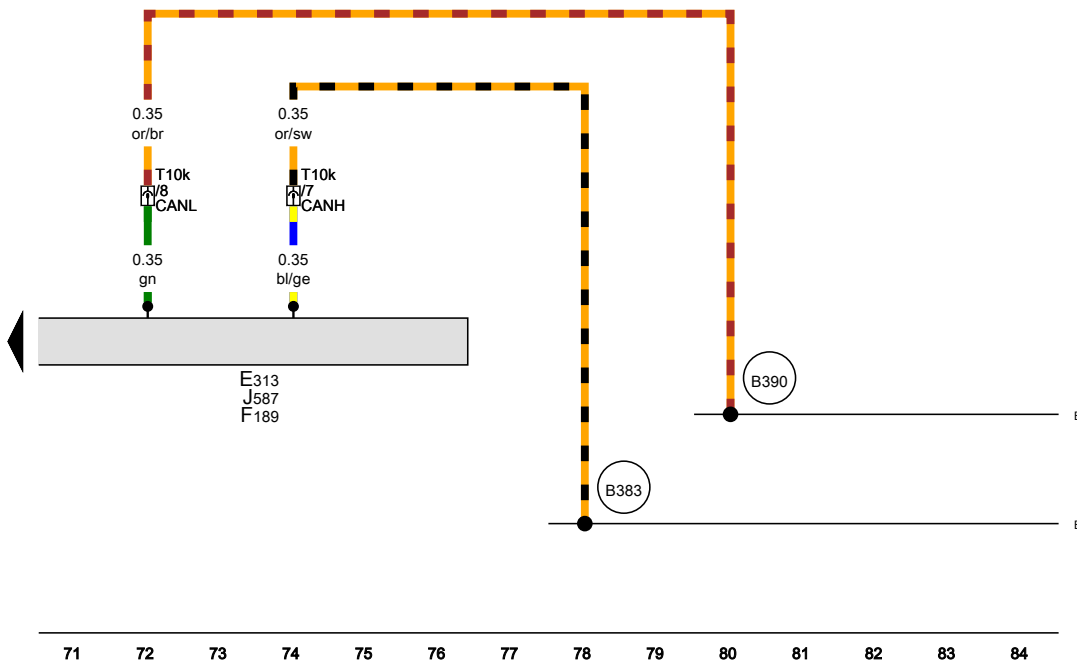
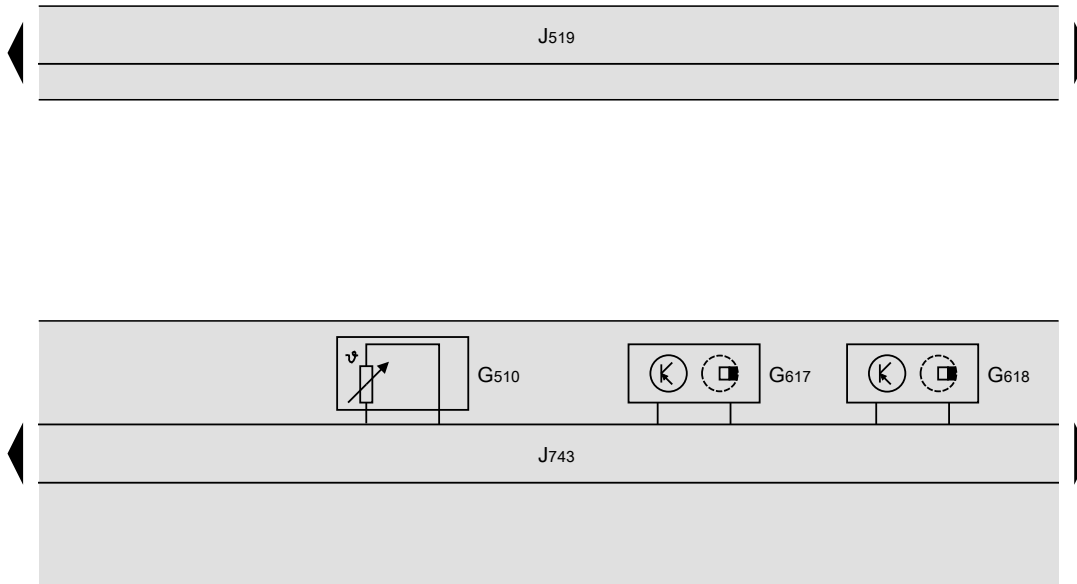
[NH0-015060216]

Selector lever, Temperature sender in control unit, Mechatronic unit for dual clutch gearbox

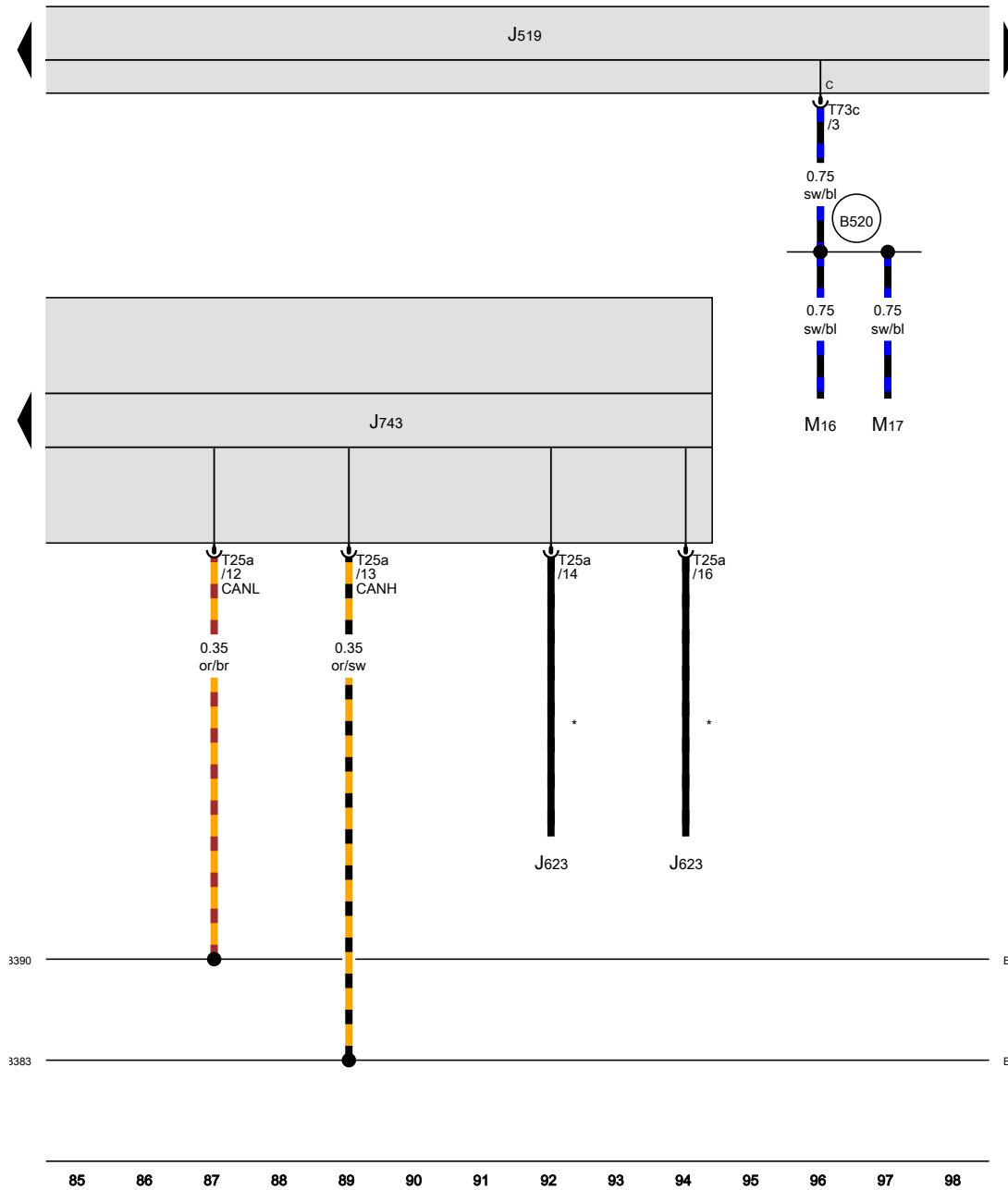
- E313 Selector lever
- F189 Tiptronic switch
- G510 Temperature sender in control unit
- G617 Clutch travel sender 1
- G618 Clutch travel sender 2
- J519 Onboard supply control unit
- J587 Selector lever sensors control unit
- J743 Mechatronic unit for dual clutch gearbox
- T10k 10-pin connector

B383 Connection 1 (powertrain CAN bus, high), in main wiring harness

B390 Connection 1 (powertrain CAN bus, low), in main wiring harness



- ws = white
- sw = black
- ro = red
- rt = red
- br = brown
- gn = green
- bl = blue
- gr = grey
- li = purple
- vi = purple
- ge = yellow
- or = orange
- rs = pink



Mechatronic unit for dual clutch gearbox

- J519 Onboard supply control unit
- J623 Engine control unit
- J743 Mechatronic unit for dual clutch gearbox
- M16 Left reversing light bulb
- M17 Right reversing light bulb
- T25a 25-pin connector
- T73c 73-pin connector, black

B383 Connection 1 (powertrain CAN bus, high), in main wiring harness

B390 Connection 1 (powertrain CAN bus, low), in main wiring harness

B520 Connection (RL), in main wiring harness

* see applicable current flow diagram for engine

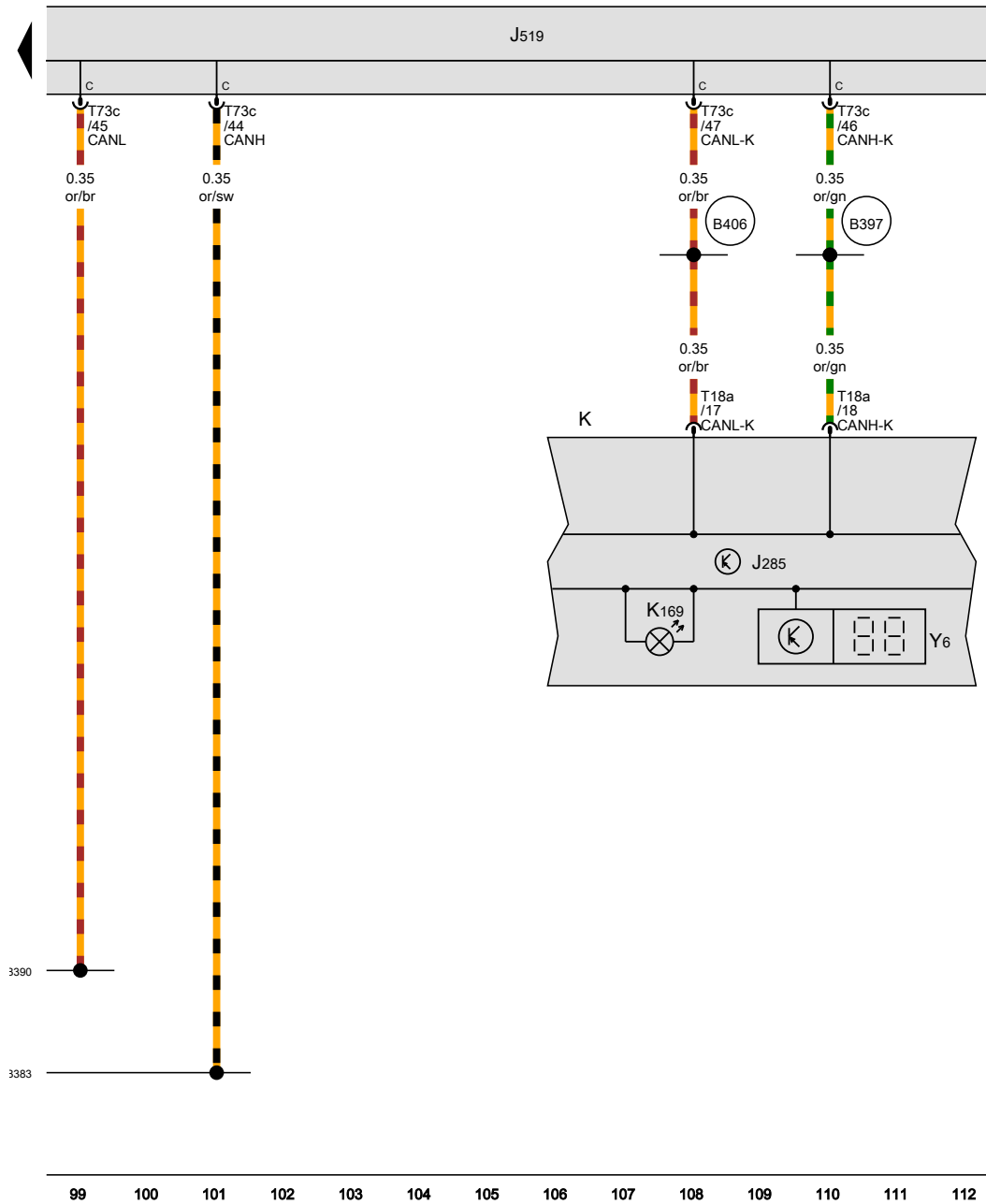
- ws = white
- sw = black
- ro = red
- rt = red
- br = brown
- gn = green
- bl = blue
- gr = grey
- li = purple
- vi = purple
- ge = yellow
- or = orange
- rs = pink

3390 B38

3383 B38

85 86 87 88 89 90 91 92 93 94 95 96 97 98

[NH0-015080216]



Dash panel insert

- J285 Control unit in dash panel insert
- J519 Onboard supply control unit
- K Dash panel insert
- K169 Selector lever lock warning lamp
- T18a 18-pin connector
- T73c 73-pin connector, black
- Y6 Selector lever position display

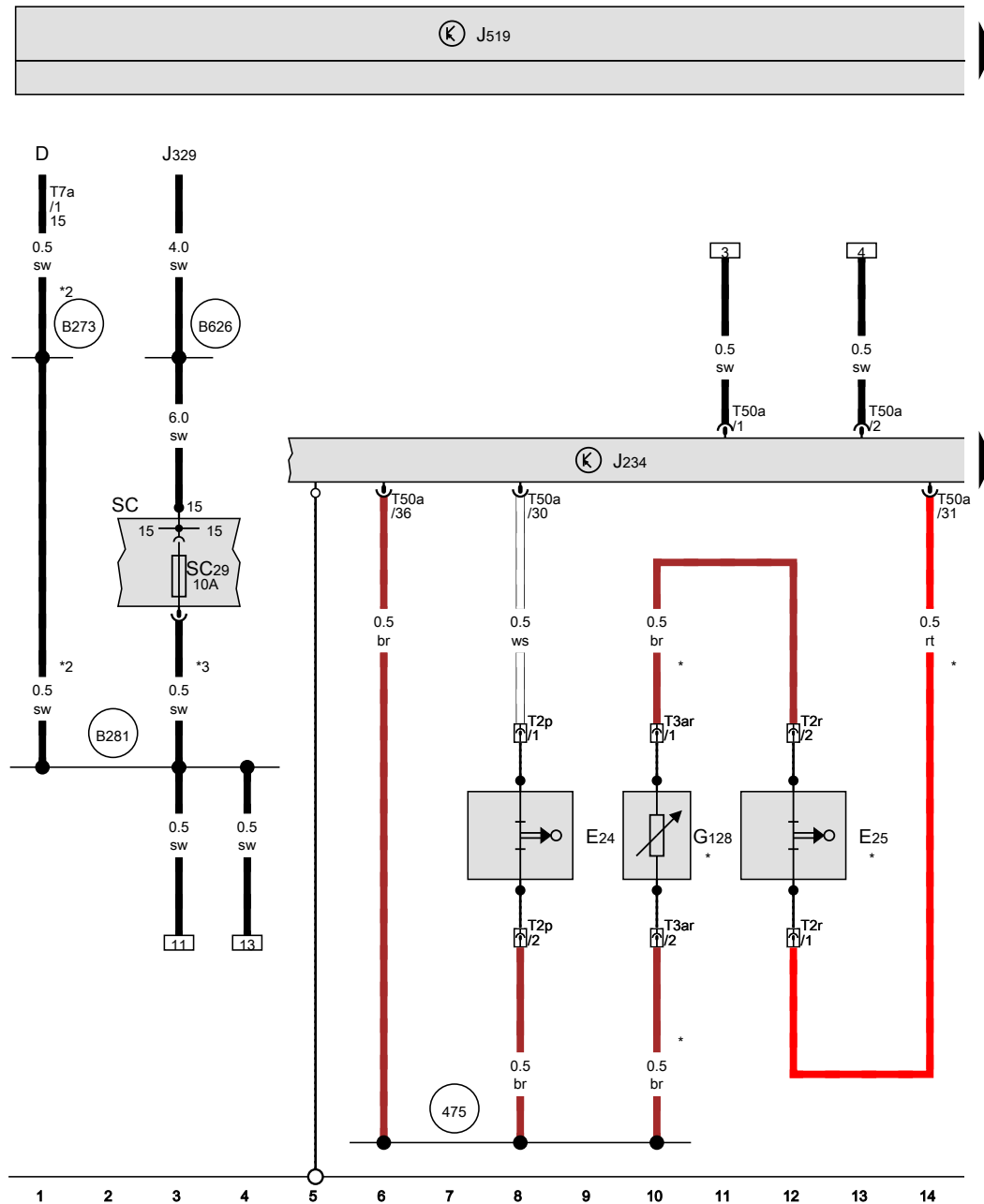
- B383 Connection 1 (powertrain CAN bus, high), in main wiring harness
- B390 Connection 1 (powertrain CAN bus, low), in main wiring harness
- B397 Connection 1 (convenience CAN bus, high), in main wiring harness
- B406 Connection 1 (convenience CAN bus, low), in main wiring harness

- ws = white
- sw = black
- ro = red
- rt = red
- br = brown
- gn = green
- bl = blue
- gr = grey
- li = purple
- vi = purple
- ge = yellow
- or = orange
- rs = pink

[NH0-015090216]

Seat belt warning system

From May 2015



Driver side belt switch, Front passenger side belt switch, Seat occupied sensor, front passenger side, Airbag control unit, Fuse holder C

- D Ignition/starter switch
- E24 Driver side belt switch
- E25 Front passenger side belt switch
- G128 Seat occupied sensor, front passenger side
- J234 Airbag control unit
- J329 Terminal 15 voltage supply relay
- J519 Onboard supply control unit
- SC Fuse holder C
- SC29 Fuse 29 on fuse holder C
- T2p 2-pin connector, under driver seat, black
- T2r 2-pin connector, under front passenger seat, black
- T3ar 3-pin connector
- T7a 7-pin connector
- T50a 50-pin connector

475 Earth connection (airbag), in main wiring harness

B273 Positive connection (15), in main wiring harness

B281 Positive connection 5 (15a) in main wiring harness

B626 Positive connection 2 (15), in main wiring harness

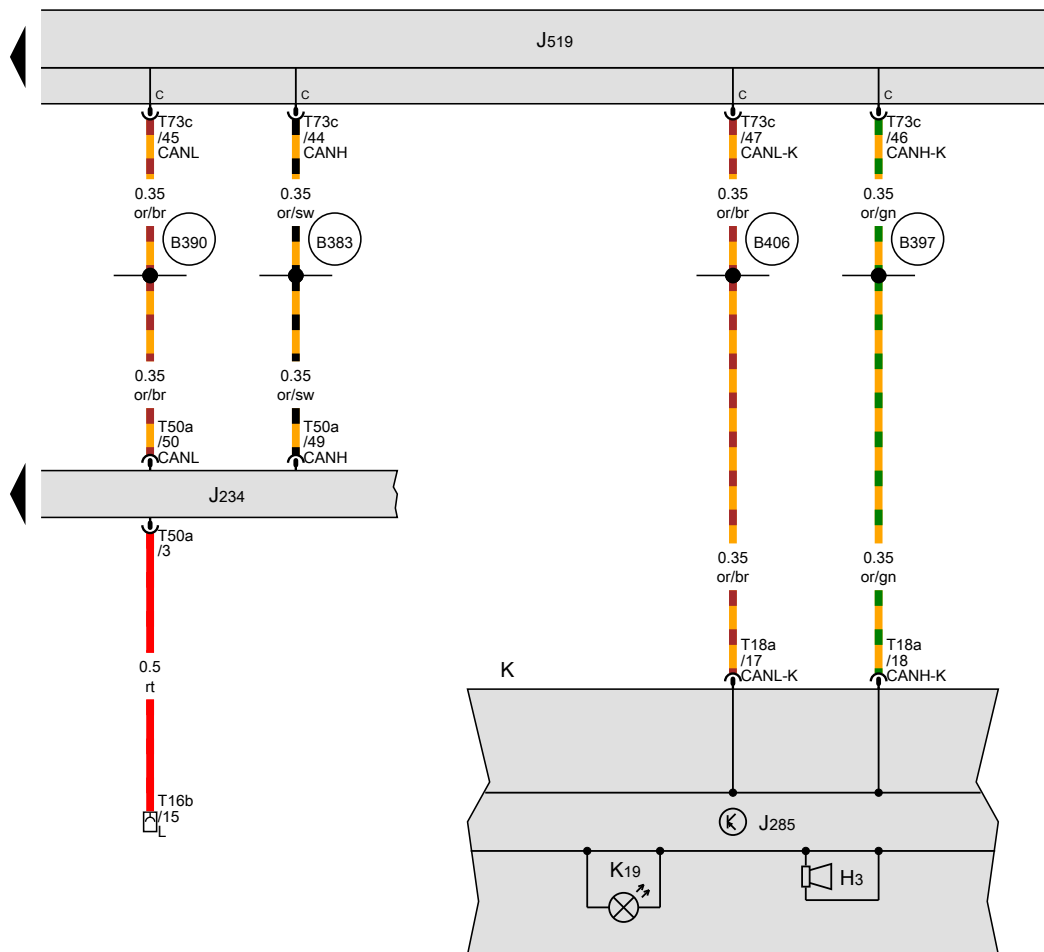
* Only models with passenger side belt switch

*2 Only models with no entry and start authorisation

*3 Only models with entry and start authorisation

- ws = white
- sw = black
- ro = red
- rt = red
- br = brown
- gn = green
- bl = blue
- gr = grey
- li = purple
- vi = purple
- ge = yellow
- or = orange
- rs = pink

[NH0-016020516]



Airbag control unit, Dash panel insert

- H3 Buzzer and gong
- J234 Airbag control unit
- J285 Control unit in dash panel insert
- J519 Onboard supply control unit
- K Dash panel insert
- K19 Seat belt warning system warning lamp
- T16b 16-pin connector, on diagnostic connection
- T18a 18-pin connector
- T50a 50-pin connector
- T73c 73-pin connector, black

- B383 Connection 1 (powertrain CAN bus, high), in main wiring harness
- B390 Connection 1 (powertrain CAN bus, low), in main wiring harness
- B397 Connection 1 (convenience CAN bus, high), in main wiring harness
- B406 Connection 1 (convenience CAN bus, low), in main wiring harness

- ws = white
- sw = black
- ro = red
- rt = red
- br = brown
- gn = green
- bl = blue
- gr = grey
- li = purple
- vi = purple
- ge = yellow
- or = orange
- rs = pink

15 16 17 18 19 20 21 22 23 24 25 26 27 28

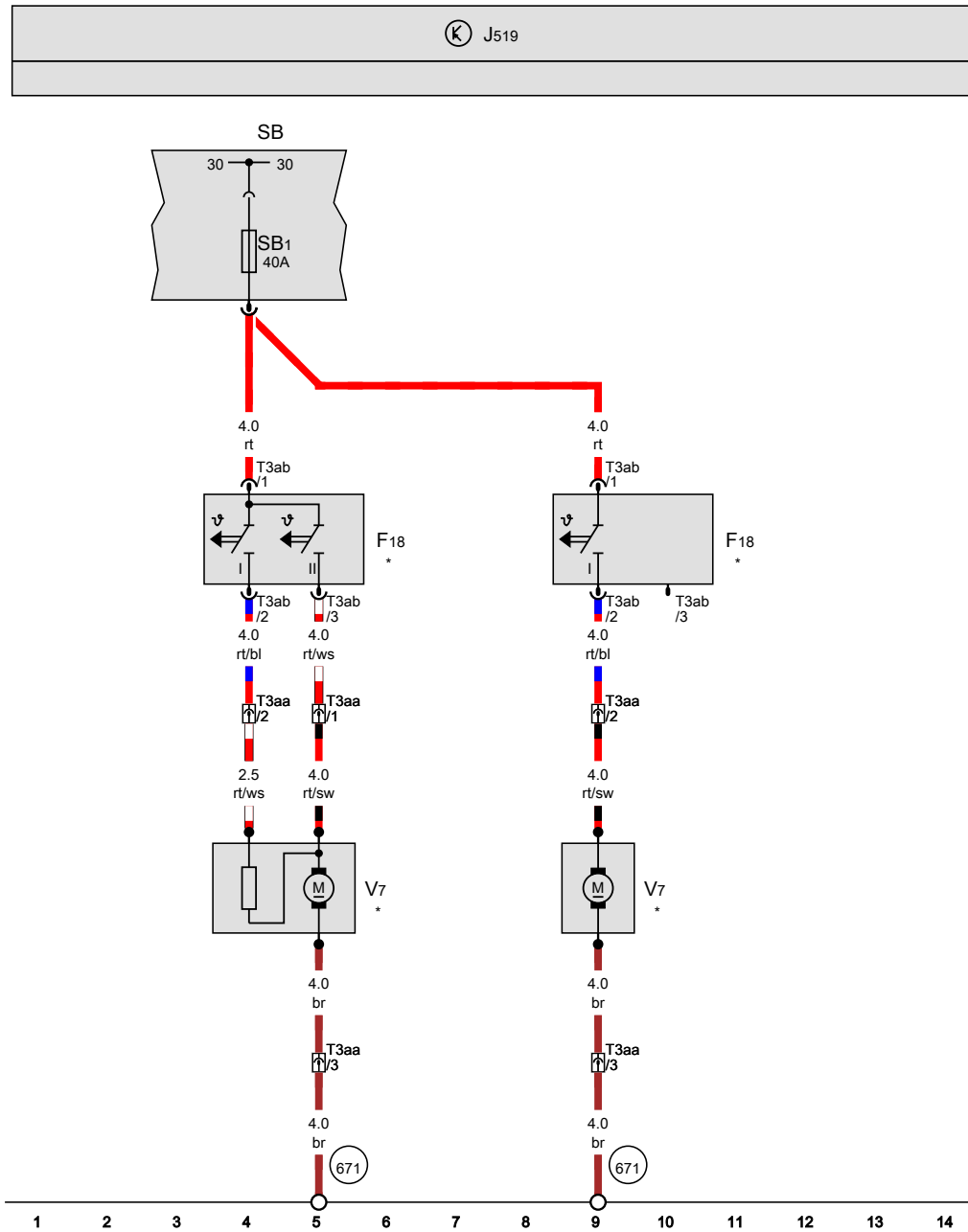
[NH0-016030516]

Radiator fan with no air conditioning system , CJZC,CJZD,CWVB,CWVA

From May 2015

Radiator fan thermal switch, Fuse holder B, Radiator fan

- F18 Radiator fan thermal switch
- J519 Onboard supply control unit
- SB Fuse holder B
- SB1 Fuse 1 on fuse holder B
- T3aa 3-pin connector, on radiator fan
- T3ab 3-pin connector
- V7 Radiator fan
- 671 Earth point 1, on front of left longitudinal member
- * According to equipment

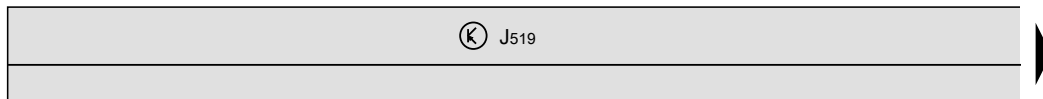


- ws = white
- sw = black
- ro = red
- rt = red
- br = brown
- gn = green
- bl = blue
- gr = grey
- li = purple
- vi = purple
- ge = yellow
- or = orange
- rs = pink

[NH0-017020515]

Radiator fan with no air conditioning system , CZCA

From May 2015

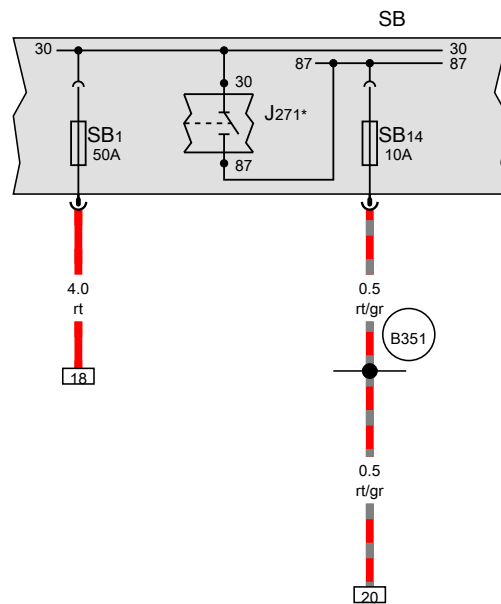


Fuse holder B

- J271 Main relay
- J519 Onboard supply control unit
- SB Fuse holder B
- SB1 Fuse 1 on fuse holder B
- SB14 Fuse 14 on fuse holder B

B351 Positive connection 2 (87a) in main wiring harness

* see applicable current flow diagram for engine



- ws = white
- sw = black
- ro = red
- rt = red
- br = brown
- gn = green
- bl = blue
- gr = grey
- li = purple
- vi = purple
- ge = yellow
- or = orange
- rs = pink

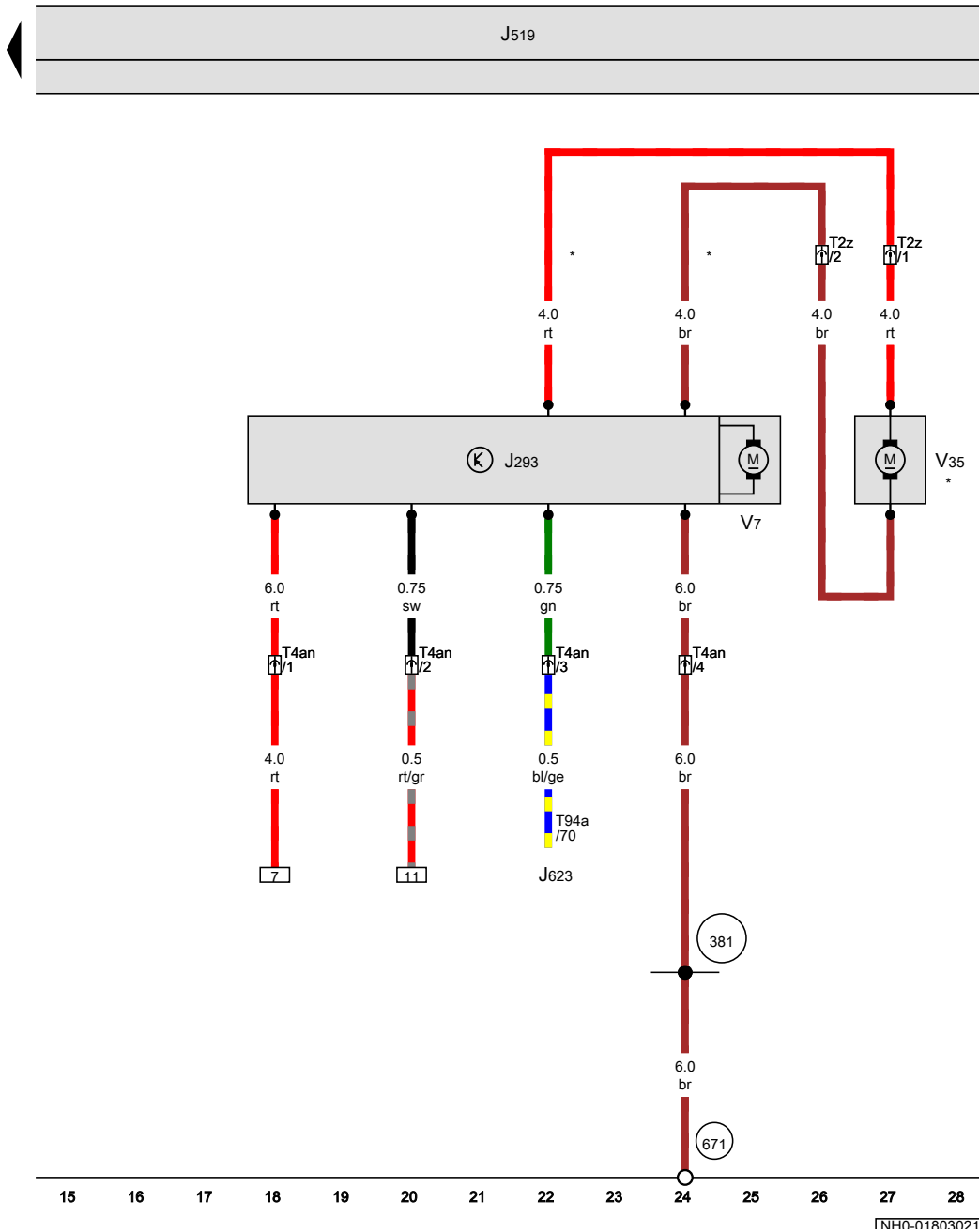
1 2 3 4 5 6 7 8 9 10 11 12 13 14

[NH0-018020216]

Radiator fan control unit, Radiator fan, Right radiator fan

- J293 Radiator fan control unit
- J519 Onboard supply control unit
- J623 Engine control unit
- T2z 2-pin connector, on radiator fan
- T4an 4-pin connector
- T94a 94-pin connector
- V7 Radiator fan
- V35 Right radiator fan

- 381 Earth connection 16, in main wiring harness
- 671 Earth point 1, on front of left longitudinal member
- * Only models with two radiator fans



[NH0-018030216]

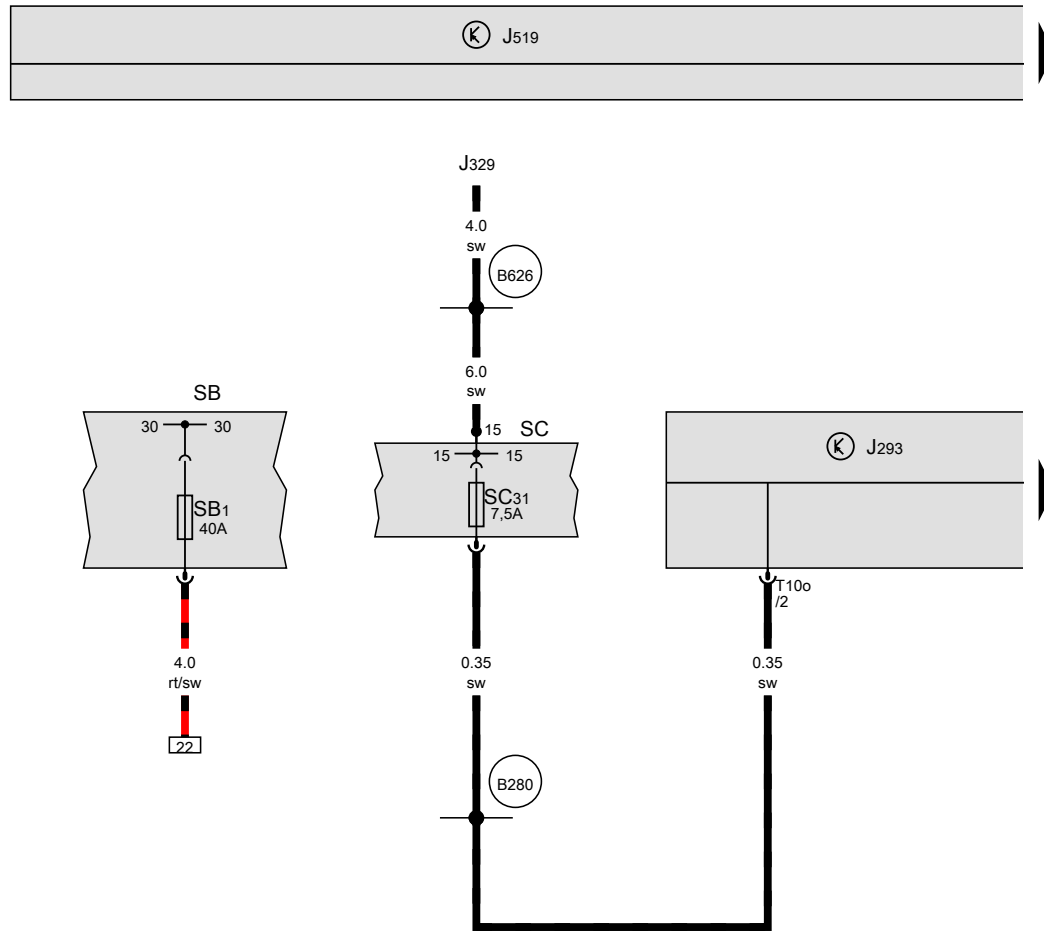
Radiator fan with no air conditioning system , CUSB

From May 2015

Radiator fan control unit, Fuse holder B, Fuse holder C

- J293 Radiator fan control unit
- J329 Terminal 15 voltage supply relay
- J519 Onboard supply control unit
- SB Fuse holder B
- SB1 Fuse 1 on fuse holder B
- SC Fuse holder C
- SC31 Fuse 31 on fuse holder C
- T10o 10-pin connector

- B280 Positive connection 4 (15a) in main wiring harness
- B626 Positive connection 2 (15), in main wiring harness



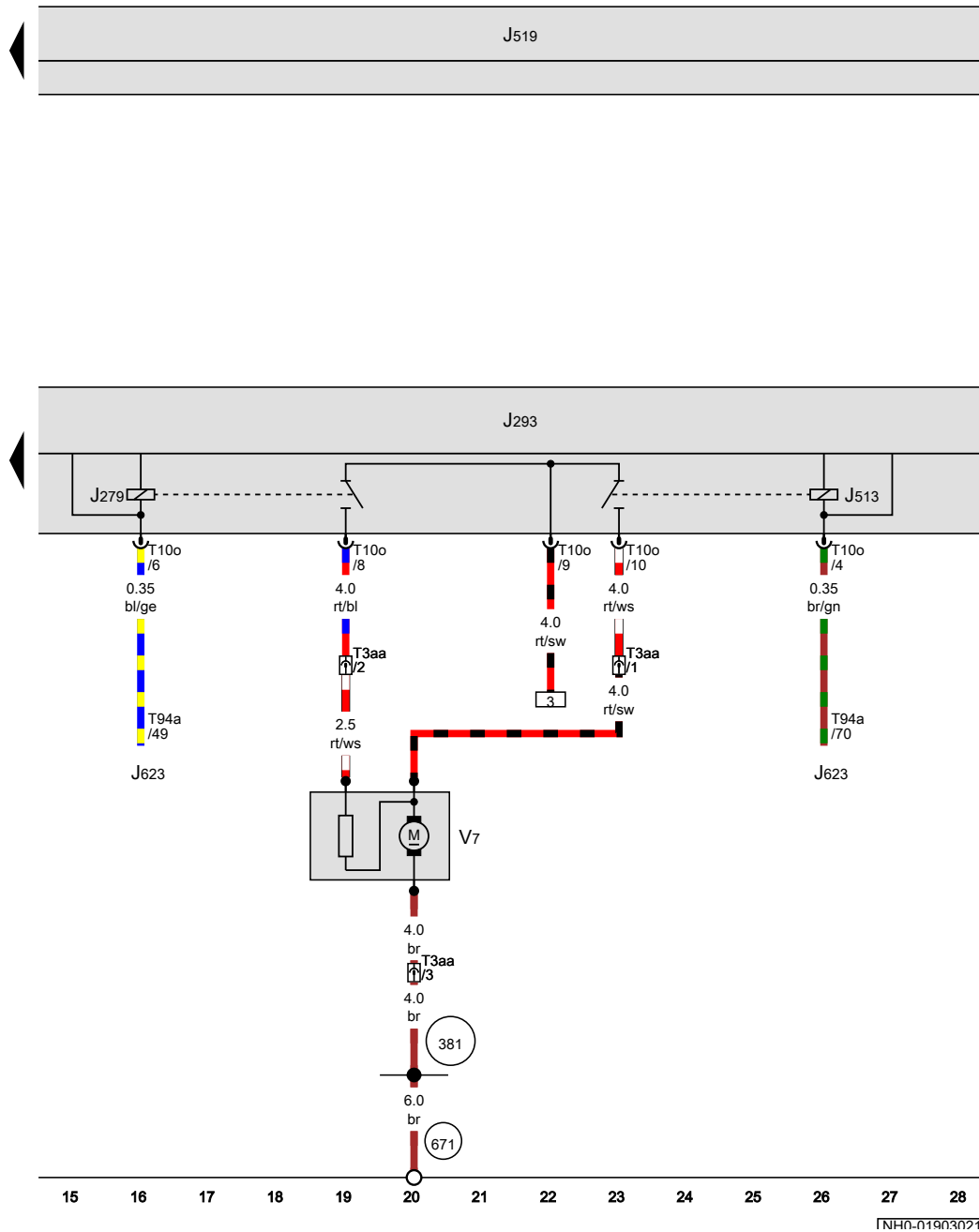
- ws = white
- sw = black
- ro = red
- rt = red
- br = brown
- gn = green
- bl = blue
- gr = grey
- li = purple
- vi = purple
- ge = yellow
- or = orange
- rs = pink

Radiator fan control unit, Radiator fan

- J279 Radiator fan V7 and V35 relay - 1st speed
- J293 Radiator fan control unit
- J513 Radiator fan V7 and V35 relay, 2nd speed
- J519 Onboard supply control unit
- J623 Engine control unit
- T3aa 3-pin connector, on radiator fan
- T10o 10-pin connector
- T94a 94-pin connector
- V7 Radiator fan

381 Earth connection 16, in main wiring harness

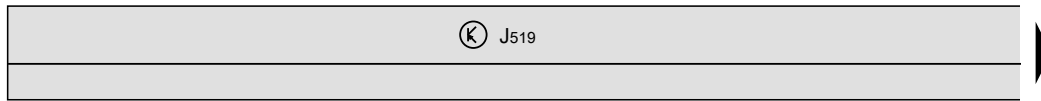
671 Earth point 1, on front of left longitudinal member



[NH0-019030216]

Radiator fan with no air conditioning system , CXMA

From May 2015



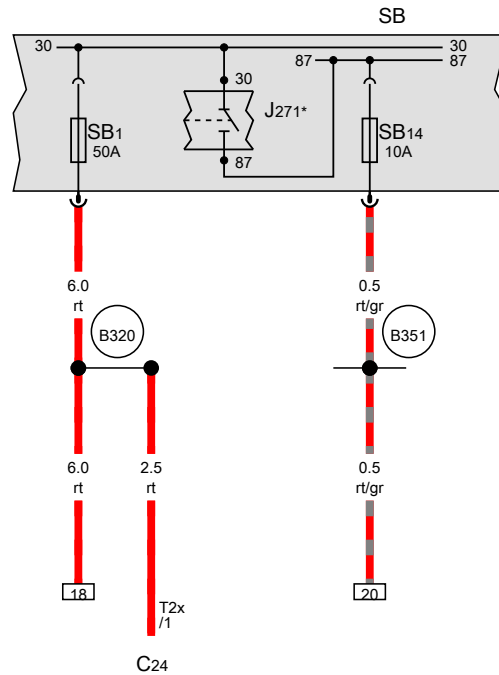
Fuse holder B

- C24 Suppression filter
- J271 Main relay
- J519 Onboard supply control unit
- SB Fuse holder B
- SB1 Fuse 1 on fuse holder B
- SB14 Fuse 14 on fuse holder B
- T2x 2-pin connector

B320 Positive connection 6 (30a) in main wiring harness

B351 Positive connection 2 (87a) in main wiring harness

* see applicable current flow diagram for engine



- ws = white
- sw = black
- ro = red
- rt = red
- br = brown
- gn = green
- bl = blue
- gr = grey
- li = purple
- vi = purple
- ge = yellow
- or = orange
- rs = pink

1 2 3 4 5 6 7 8 9 10 11 12 13 14

1NH0-0200202161

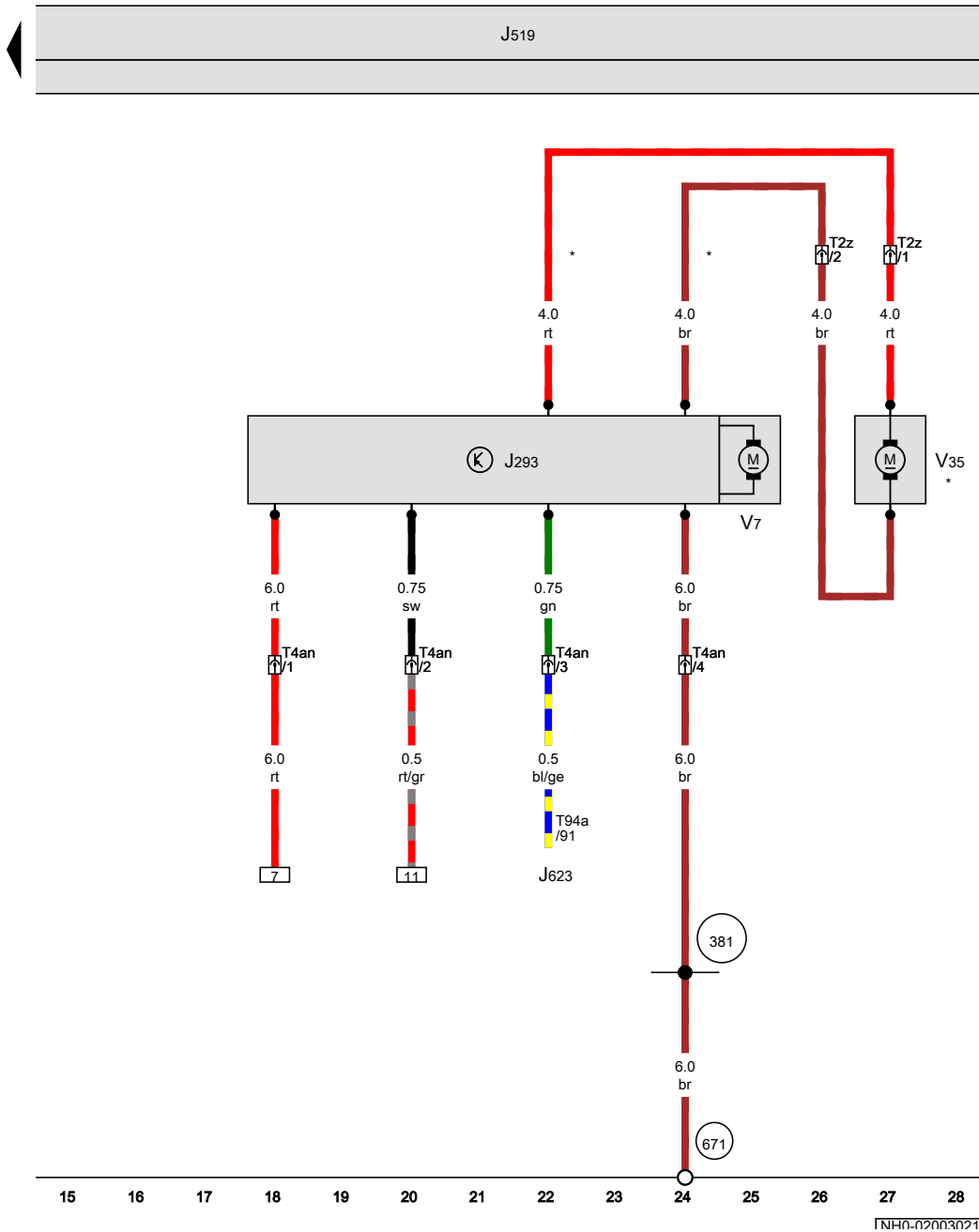
Radiator fan control unit, Radiator fan, Right radiator fan

- J293 Radiator fan control unit
- J519 Onboard supply control unit
- J623 Engine control unit
- T2z 2-pin connector, on radiator fan
- T4an 4-pin connector
- T94a 94-pin connector
- V7 Radiator fan
- V35 Right radiator fan

381 Earth connection 16, in main wiring harness

671 Earth point 1, on front of left longitudinal member

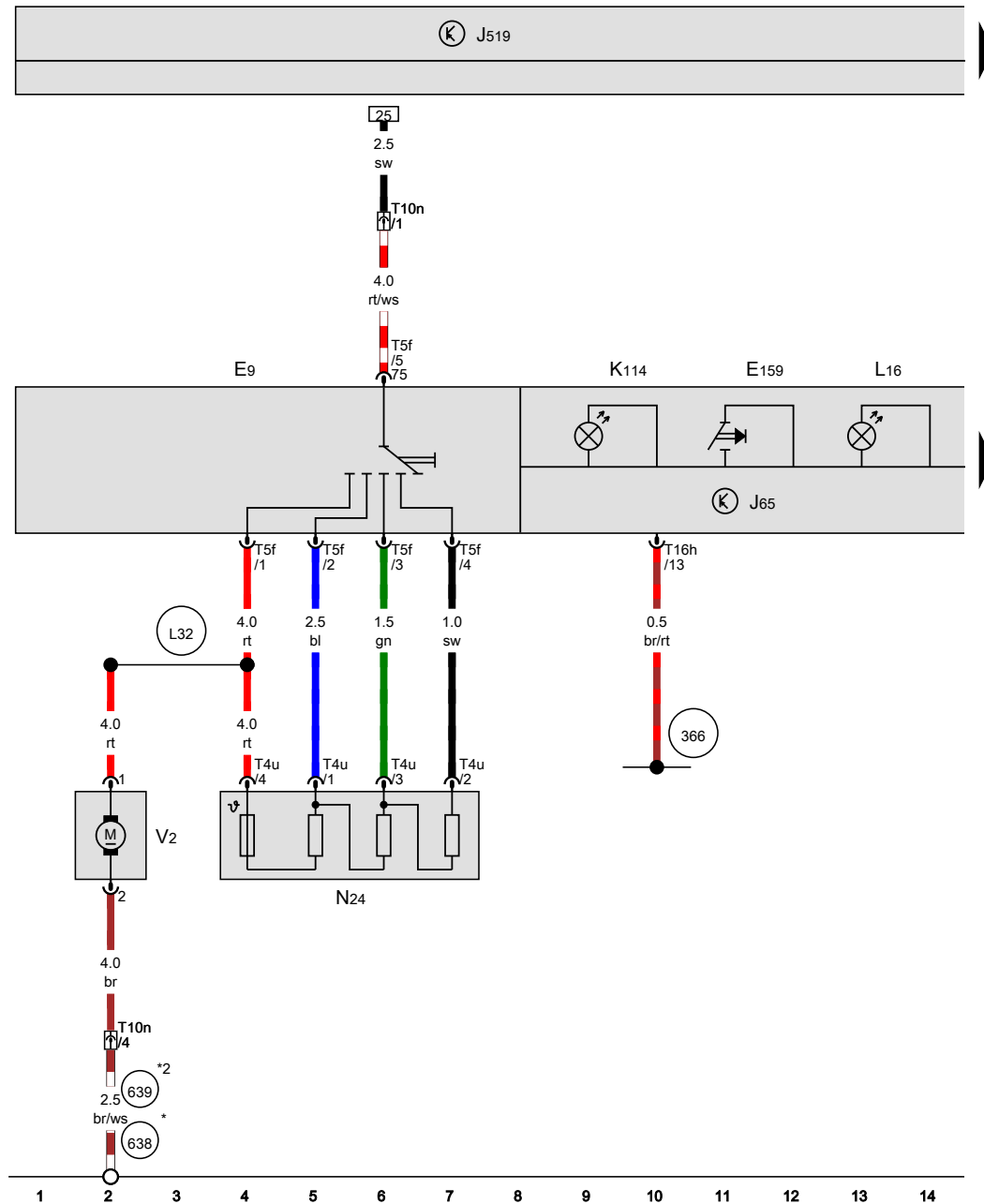
* Only models with two radiator fans



- ws = white
- sw = black
- ro = red
- rt = red
- br = brown
- gn = green
- bl = blue
- gr = grey
- li = purple
- vi = purple
- ge = yellow
- or = orange
- rs = pink

Heater and fresh air ventilation system , CJZC,CJZD,CZCA,CUSB,CXMA

From May 2015



Heater control unit, Fresh air blower series resistor with overheating fuse, Fresh air blower

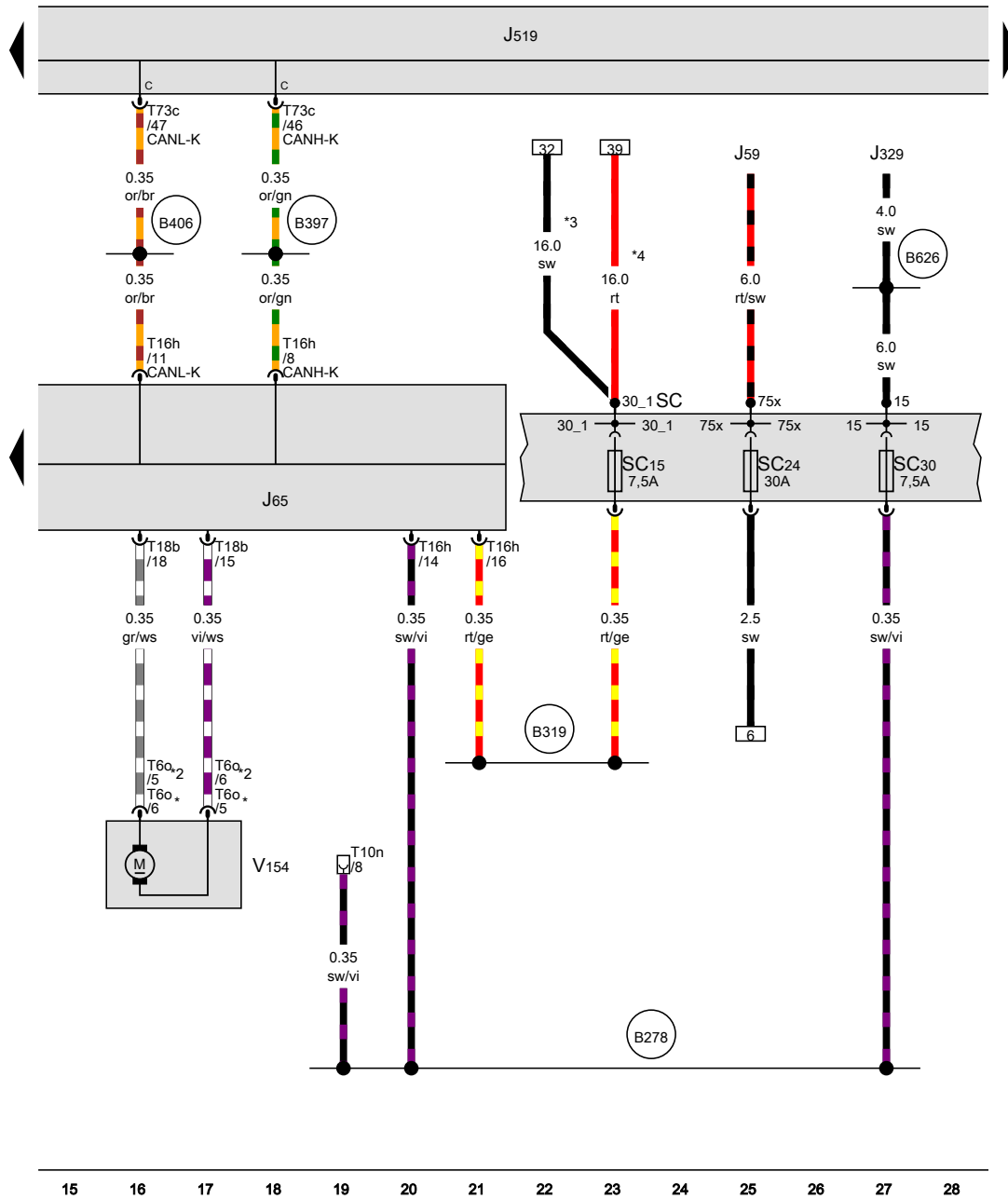
- E9 Fresh air blower switch
- E159 Fresh air and air recirculation flap switch
- J65 Heater control unit
- J519 Onboard supply control unit
- K114 Fresh air and air recirculation warning lamp
- L16 Fresh air regulator illumination bulb
- N24 Fresh air blower series resistor with overheating fuse
- T4u 4-pin connector
- T5f 5-pin connector
- T10n 10-pin connector, behind dash panel
- T16h 16-pin connector
- V2 Fresh air blower

- 366 Earth connection 1, in main wiring harness
- 638 Earth point, on right A-pillar
- 639 Earth point, left A-pillar
- L32 Connection 1, in heater wiring harness

- * Only left-hand drive models
- *2 Only right-hand drive models

- ws = white
- sw = black
- ro = red
- rt = red
- br = brown
- gn = green
- bl = blue
- gr = grey
- li = purple
- vi = purple
- ge = yellow
- or = orange
- rs = pink

[NH0-021020515]



Heater control unit, Fuse holder C, Fresh air and air recirculation flap control motor

- J59 X-contact relief relay
- J65 Heater control unit
- J329 Terminal 15 voltage supply relay
- J519 Onboard supply control unit
- SC Fuse holder C
- SC15 Fuse 15 on fuse holder C
- SC24 Fuse 24 on fuse holder C
- SC30 Fuse 30 on fuse holder C
- T6o 6-pin connector
- T10n 10-pin connector, behind dash panel
- T16h 16-pin connector
- T18b 18-pin connector
- T73c 73-pin connector, black
- V154 Fresh air and air recirculation flap control motor

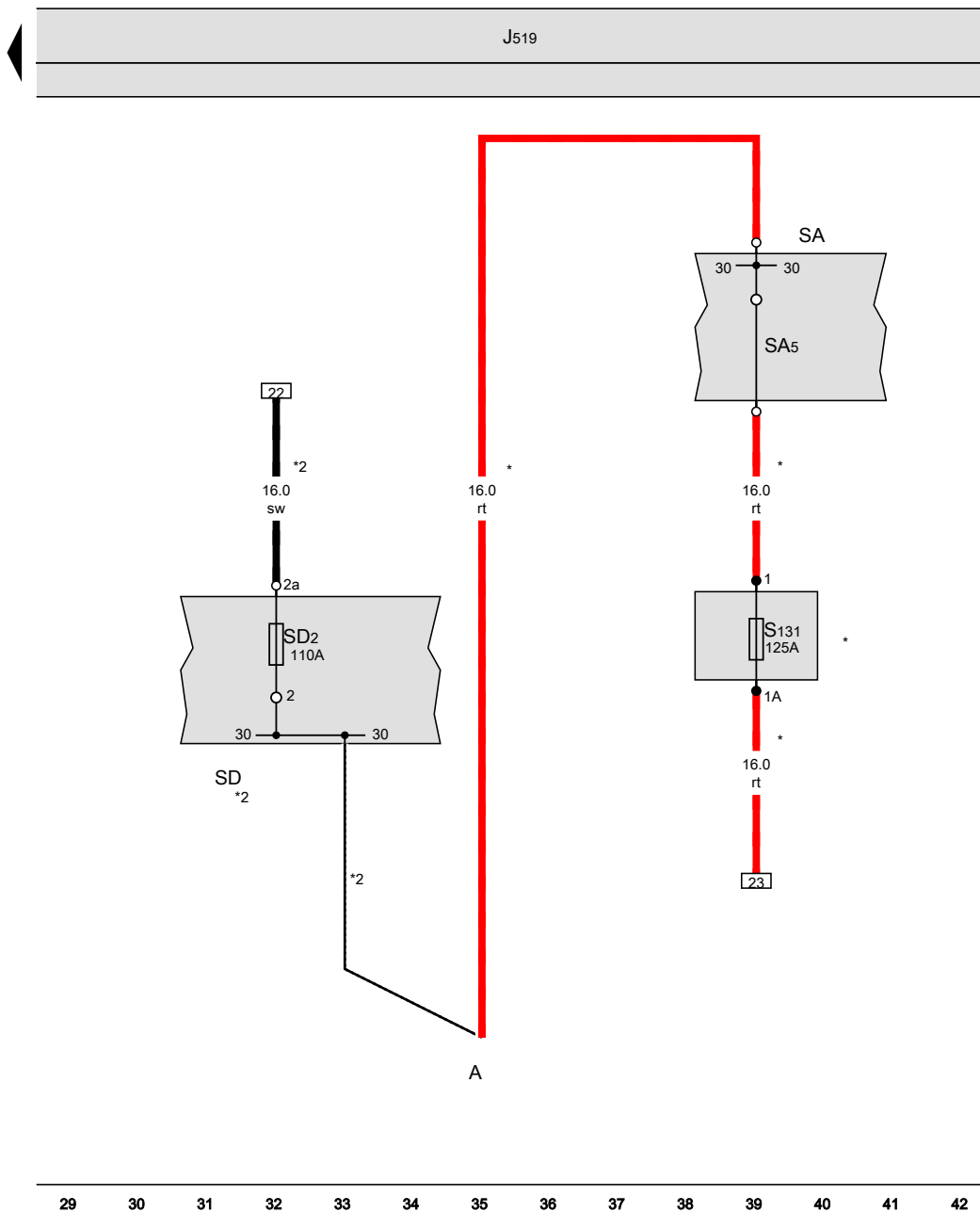
- (B278) Positive connection 2 (15a) in main wiring harness
- (B319) Positive connection 5 (30a) in main wiring harness
- (B397) Connection 1 (convenience CAN bus, high), in main wiring harness
- (B406) Connection 1 (convenience CAN bus, low), in main wiring harness
- (B626) Positive connection 2 (15), in main wiring harness
- * Only left-hand drive models
- *2 Only right-hand drive models
- *3 Only models with battery in luggage compartment
- *4 Only models with battery in engine compartment

- ws = white
- sw = black
- ro = red
- rt = red
- br = brown
- gn = green
- bl = blue
- gr = grey
- li = purple
- vi = purple
- ge = yellow
- or = orange
- rs = pink

[NH0-021030515]

Battery, Fuse holder A, Fuse holder D

- A Battery
- J519 Onboard supply control unit
- SD2 Fuse 2 on fuse holder D
- SA5 Fuse 5 in fuse holder A
- S131 Fuse 1, in main wiring harness
- SA Fuse holder A
- SD Fuse holder D
- * Only models with battery in engine compartment
- *2 Only models with battery in luggage compartment

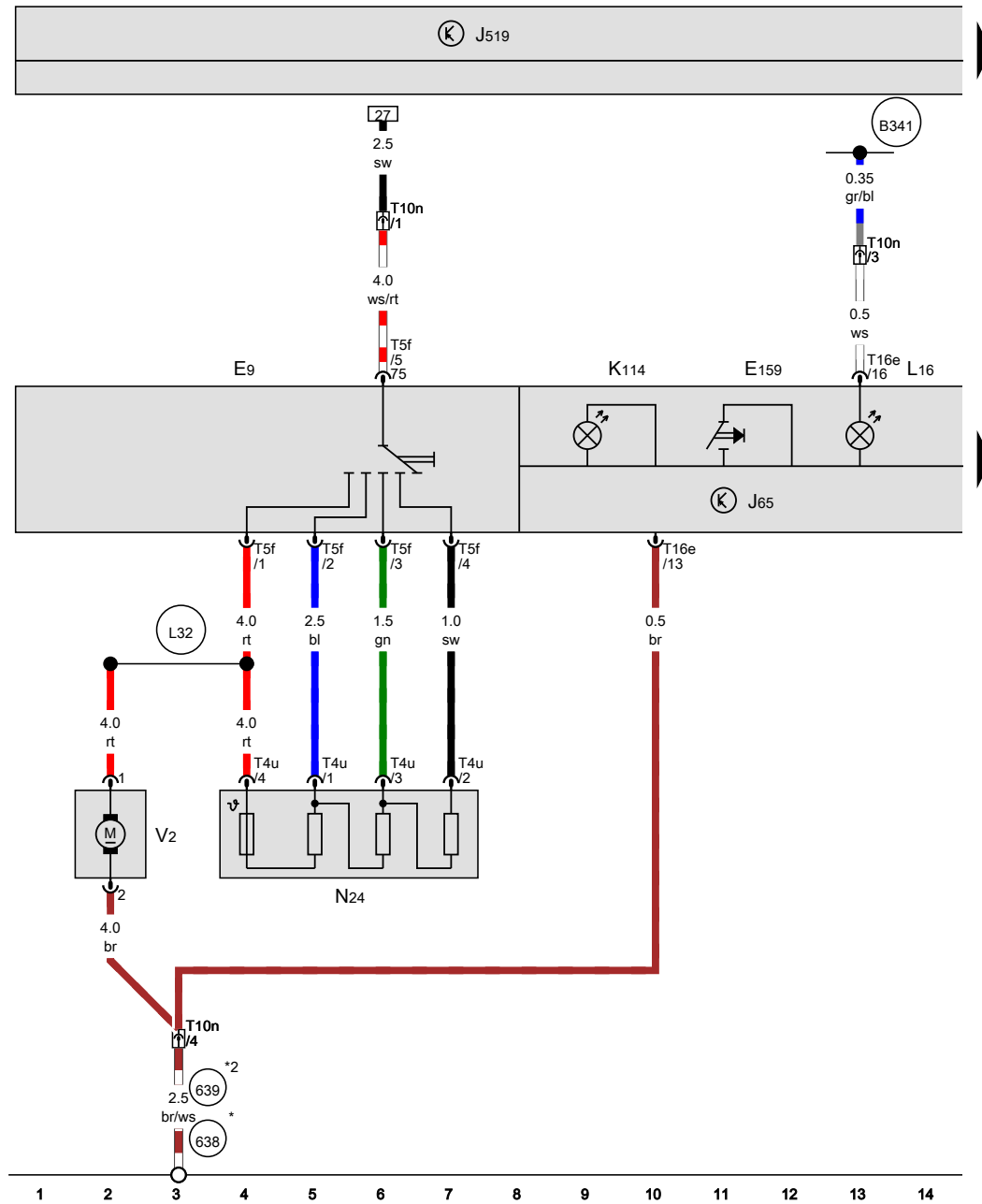


- ws = white
- sw = black
- ro = red
- rt = red
- br = brown
- gn = green
- bl = blue
- gr = grey
- li = purple
- vi = purple
- ge = yellow
- or = orange
- rs = pink

[NH0-021040515]

Heater and fresh air ventilation system , CWVB,CWVA

From May 2015



Heater control unit, Fresh air blower series resistor with overheating fuse, Fresh air blower

- E9 Fresh air blower switch
- E159 Fresh air and air recirculation flap switch
- J65 Heater control unit
- J519 Onboard supply control unit
- K114 Fresh air and air recirculation warning lamp
- L16 Fresh air regulator illumination bulb
- N24 Fresh air blower series resistor with overheating fuse
- T4u 4-pin connector
- T5f 5-pin connector
- T10n 10-pin connector, behind dash panel
- T16e 16-pin connector
- V2 Fresh air blower

- 638 Earth point, on right A-pillar
- 639 Earth point, left A-pillar
- B341 Connection 2 (58d), in main wiring harness

- L32 Connection 1, in heater wiring harness

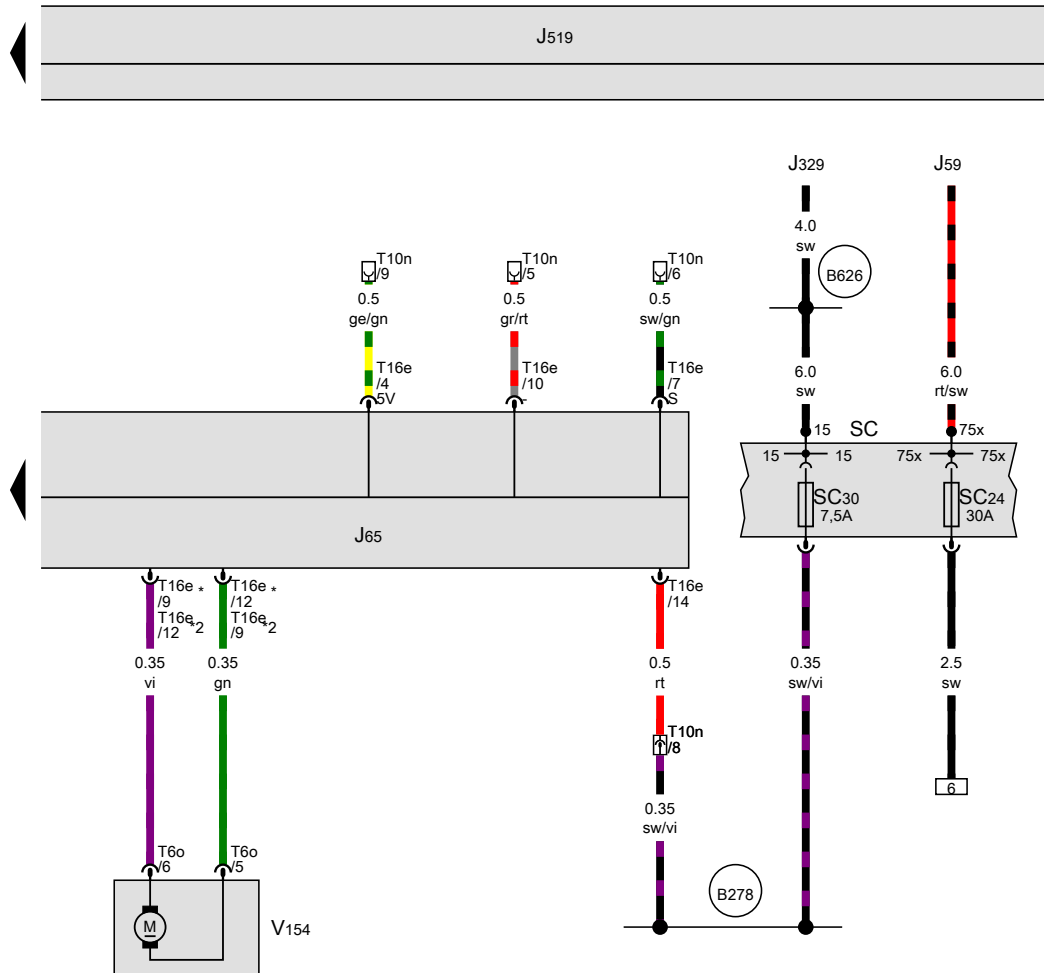
- * Only left-hand drive models
- *2 Only right-hand drive models

- ws = white
- sw = black
- ro = red
- rt = red
- br = brown
- gn = green
- bl = blue
- gr = grey
- li = purple
- vi = purple
- ge = yellow
- or = orange
- rs = pink

[NH0-022020515]

Heater control unit, Fuse holder C, Fresh air and air recirculation flap control motor

- J59 X-contact relief relay
- J65 Heater control unit
- J329 Terminal 15 voltage supply relay
- J519 Onboard supply control unit
- SC Fuse holder C
- SC24 Fuse 24 on fuse holder C
- SC30 Fuse 30 on fuse holder C
- T6o 6-pin connector
- T10n 10-pin connector, behind dash panel
- T16e 16-pin connector
- V154 Fresh air and air recirculation flap control motor
- B278 Positive connection 2 (15a) in main wiring harness
- B626 Positive connection 2 (15), in main wiring harness
- * Only left-hand drive models
- *2 Only right-hand drive models



- ws = white
- sw = black
- ro = red
- rt = red
- br = brown
- gn = green
- bl = blue
- gr = grey
- li = purple
- vi = purple
- ge = yellow
- or = orange
- rs = pink

15 16 17 18 19 20 21 22 23 24 25 26 27 28

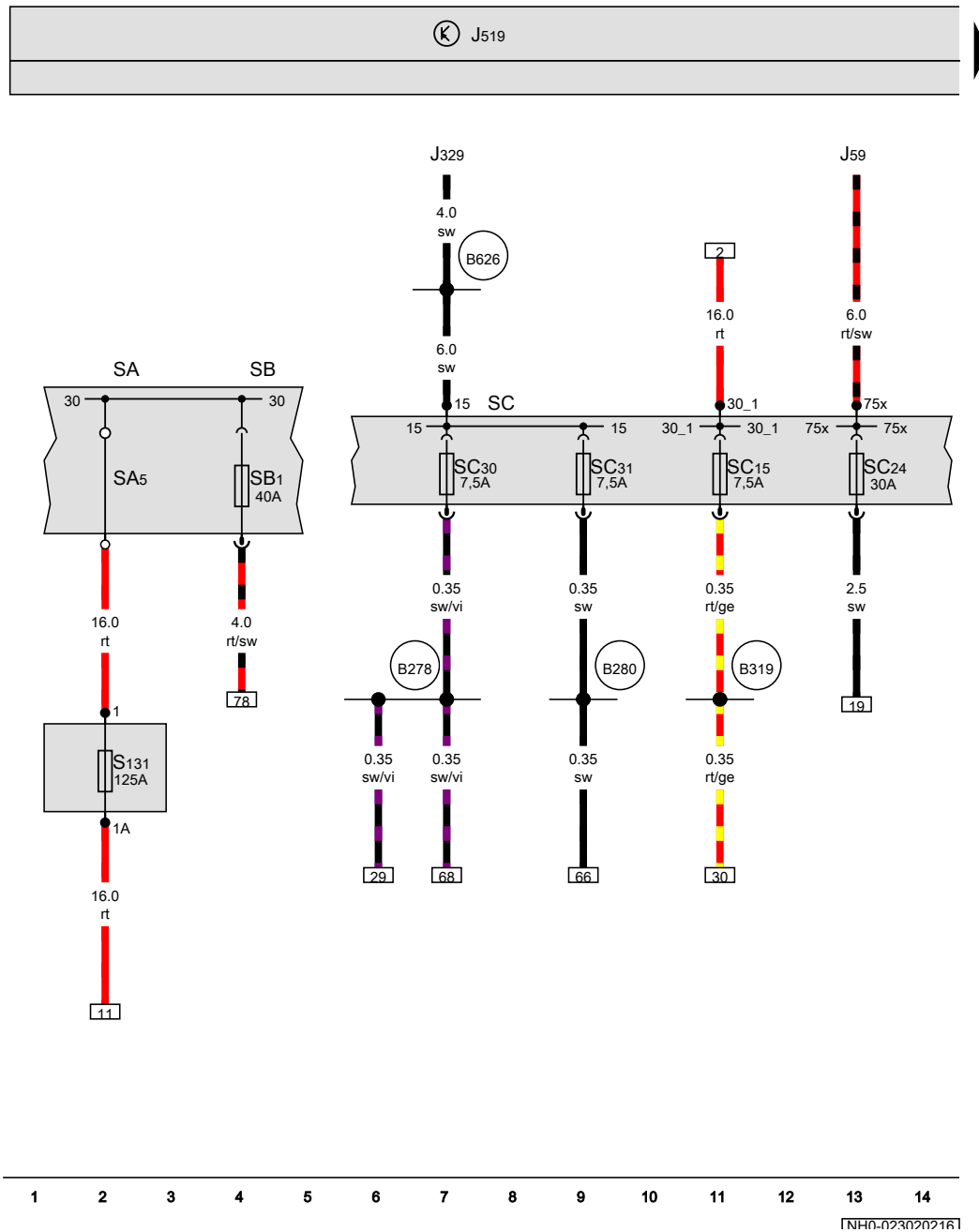
[NH0-022030515]

Climatic , CJZC,CJZD
From May 2015

Fuse holder A, Fuse holder B, Fuse holder C

- J59 X-contact relief relay
- J329 Terminal 15 voltage supply relay
- J519 Onboard supply control unit
- SA Fuse holder A
- SB Fuse holder B
- SB1 Fuse 1 on fuse holder B
- SA5 Fuse 5 in fuse holder A
- S131 Fuse 1, in main wiring harness
- SC Fuse holder C
- SC15 Fuse 15 on fuse holder C
- SC24 Fuse 24 on fuse holder C
- SC30 Fuse 30 on fuse holder C
- SC31 Fuse 31 on fuse holder C

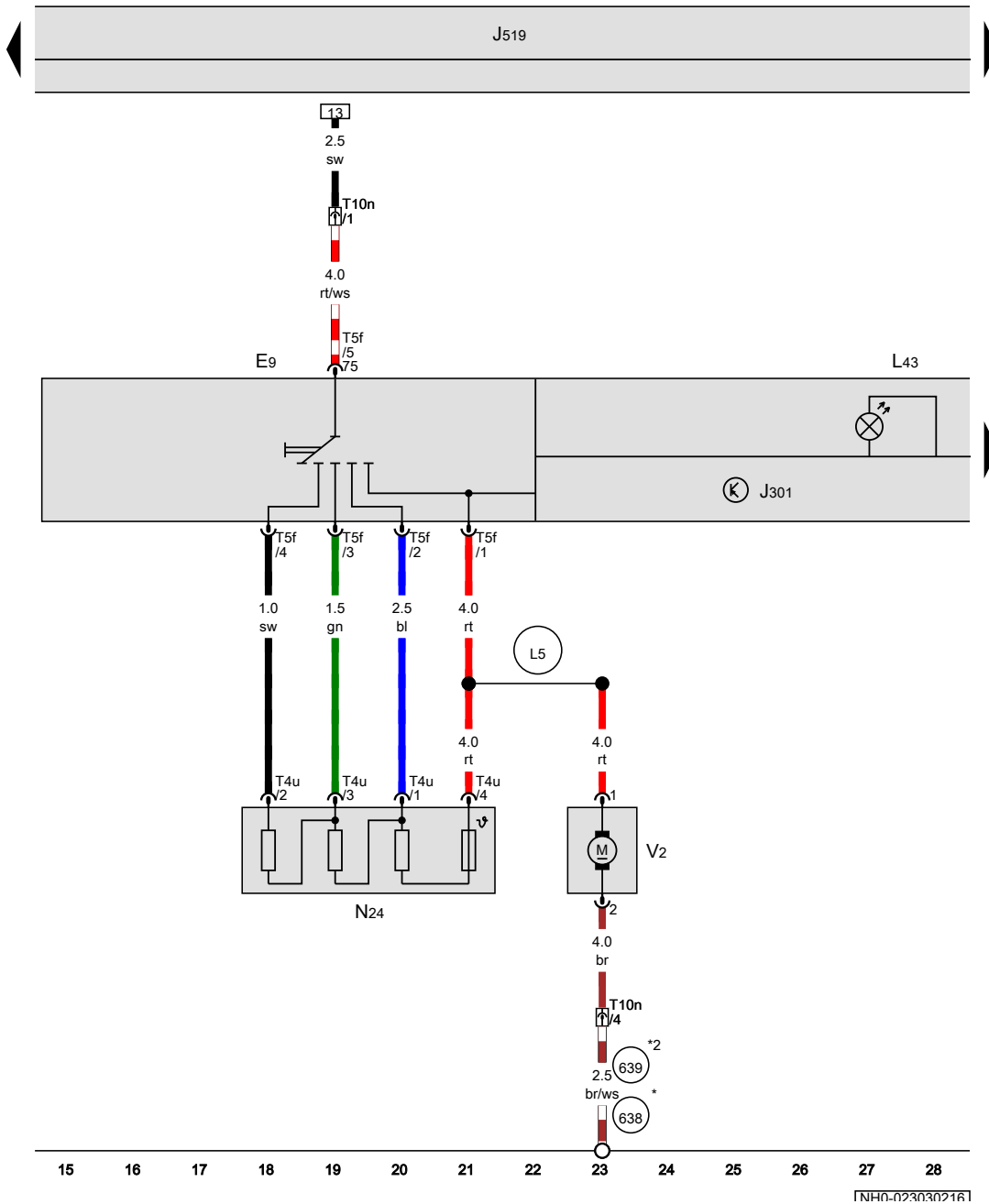
- (B278) Positive connection 2 (15a) in main wiring harness
- (B280) Positive connection 4 (15a) in main wiring harness
- (B319) Positive connection 5 (30a) in main wiring harness
- (B626) Positive connection 2 (15), in main wiring harness



Air conditioning system control unit, Fresh air blower series resistor with overheating fuse, Fresh air blower

- E9 Fresh air blower switch
- J301 Air conditioning system control unit
- J519 Onboard supply control unit
- L43 Air conditioning system switch illumination bulb
- N24 Fresh air blower series resistor with overheating fuse
- T4u 4-pin connector
- T5f 5-pin connector
- T10n 10-pin connector, behind dash panel
- V2 Fresh air blower

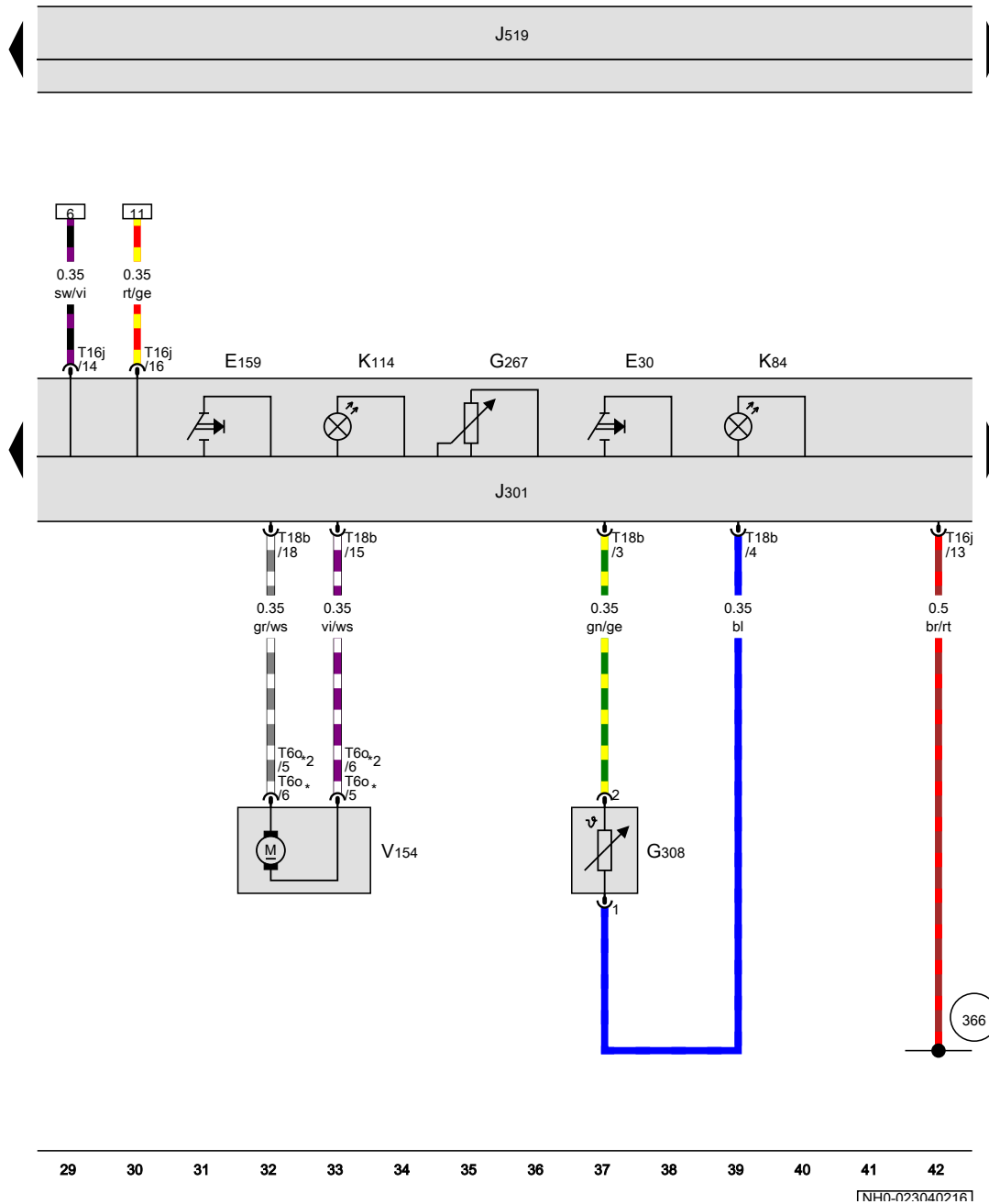
- 638 Earth point, on right A-pillar
- 639 Earth point, left A-pillar
- L5 Connection 1, in evaporator housing unit wiring harness
- * Only left-hand drive models
- *2 Only right-hand drive models



- ws = white
- sw = black
- ro = red
- rt = red
- br = brown
- gn = green
- bl = blue
- gr = grey
- li = purple
- vi = purple
- ge = yellow
- or = orange
- rs = pink

[NH0-023030216]

Evaporator temperature sensor, Air conditioning system control unit, Fresh air and air recirculation flap control motor



- E30 Air conditioning system switch
- E159 Fresh air and air recirculation flap switch
- G267 Potentiometer for temperature selection rotary knob
- G308 Evaporator temperature sensor
- J301 Air conditioning system control unit
- J519 Onboard supply control unit
- K84 Air conditioning system warning lamp
- K114 Fresh air and air recirculation warning lamp
- T6o 6-pin connector
- T16j 16-pin connector
- T18b 18-pin connector
- V154 Fresh air and air recirculation flap control motor

366 Earth connection 1, in main wiring harness

* Only left-hand drive models

*2 Only right-hand drive models

- ws = white
- sw = black
- ro = red
- rt = red
- br = brown
- gn = green
- bl = blue
- gr = grey
- li = purple
- vi = purple
- ge = yellow
- or = orange
- rs = pink

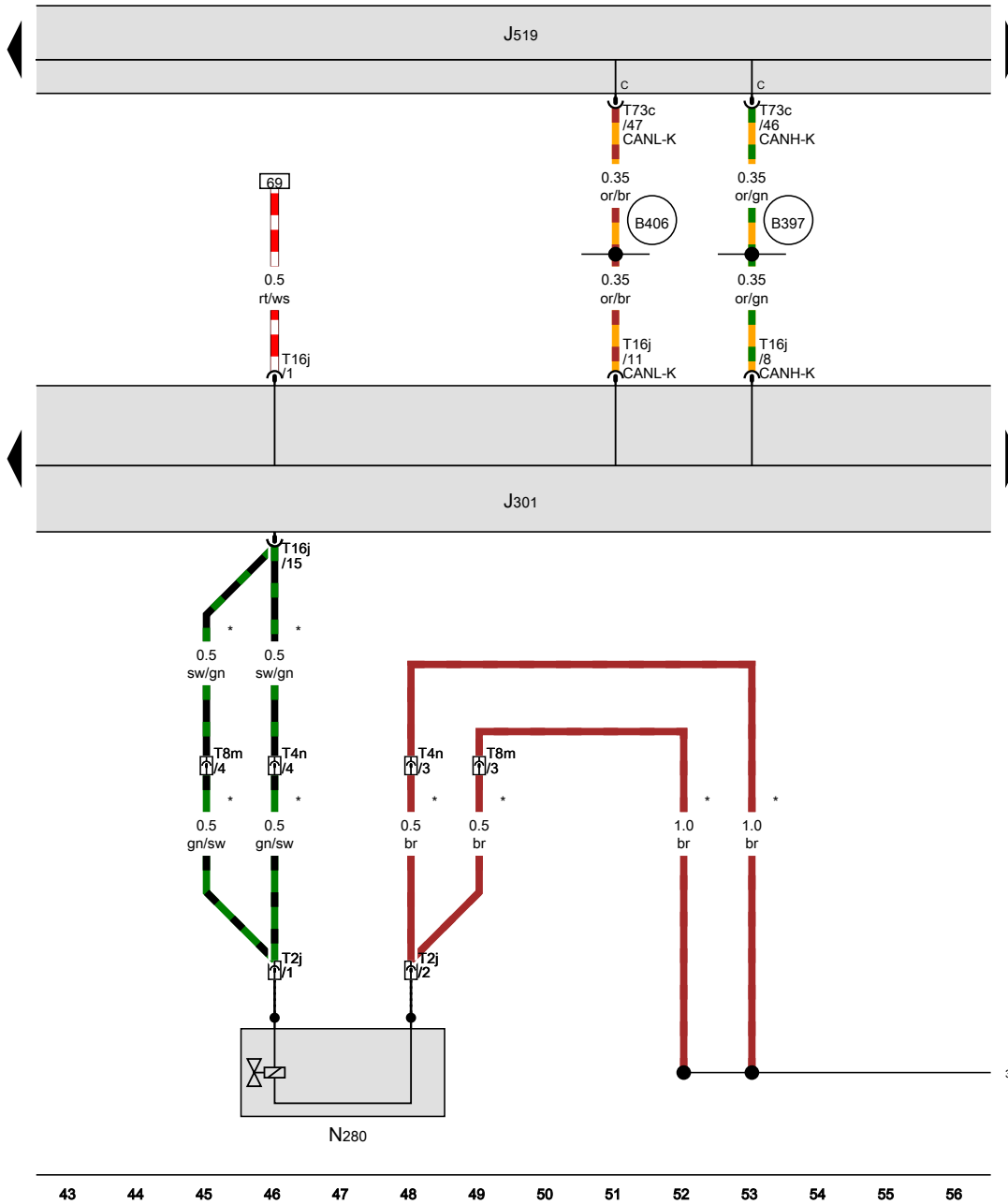
29 30 31 32 33 34 35 36 37 38 39 40 41 42

[NH0-023040216]

Air conditioning system control unit, Air conditioner compressor regulating valve

- J301 Air conditioning system control unit
- J519 Onboard supply control unit
- N280 Air conditioner compressor regulating valve
- T2j 2-pin connector
- T4n 4-pin connector, front left in engine compartment
- T8m 8-pin connector, front left in engine compartment
- T16j 16-pin connector
- T73c 73-pin connector, black

- 381 Earth connection 16, in main wiring harness
- B397 Connection 1 (convenience CAN bus, high), in main wiring harness
- B406 Connection 1 (convenience CAN bus, low), in main wiring harness
- * According to equipment



- ws = white
- sw = black
- ro = red
- rt = red
- br = brown
- gn = green
- bl = blue
- gr = grey
- li = purple
- vi = purple
- ge = yellow
- or = orange
- rs = pink

[NH0-023050216]

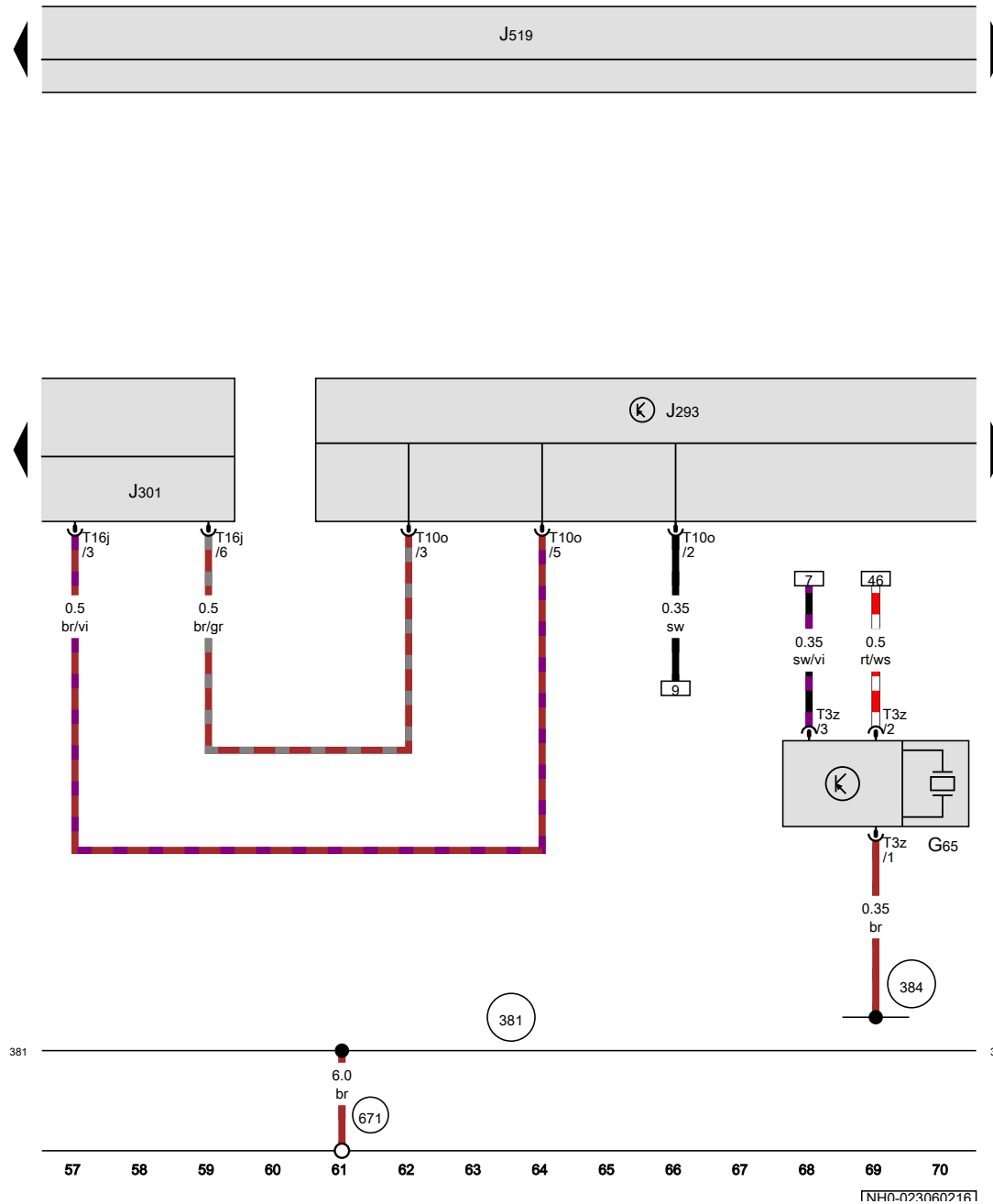
High-pressure sender, Radiator fan control unit, Air conditioning system control unit

- G65 High-pressure sender
- J293 Radiator fan control unit
- J301 Air conditioning system control unit
- J519 Onboard supply control unit
- T3z 3-pin connector
- T10o 10-pin connector
- T16j 16-pin connector

381 Earth connection 16, in main wiring harness

384 Earth connection 19, in main wiring harness

671 Earth point 1, on front of left longitudinal member



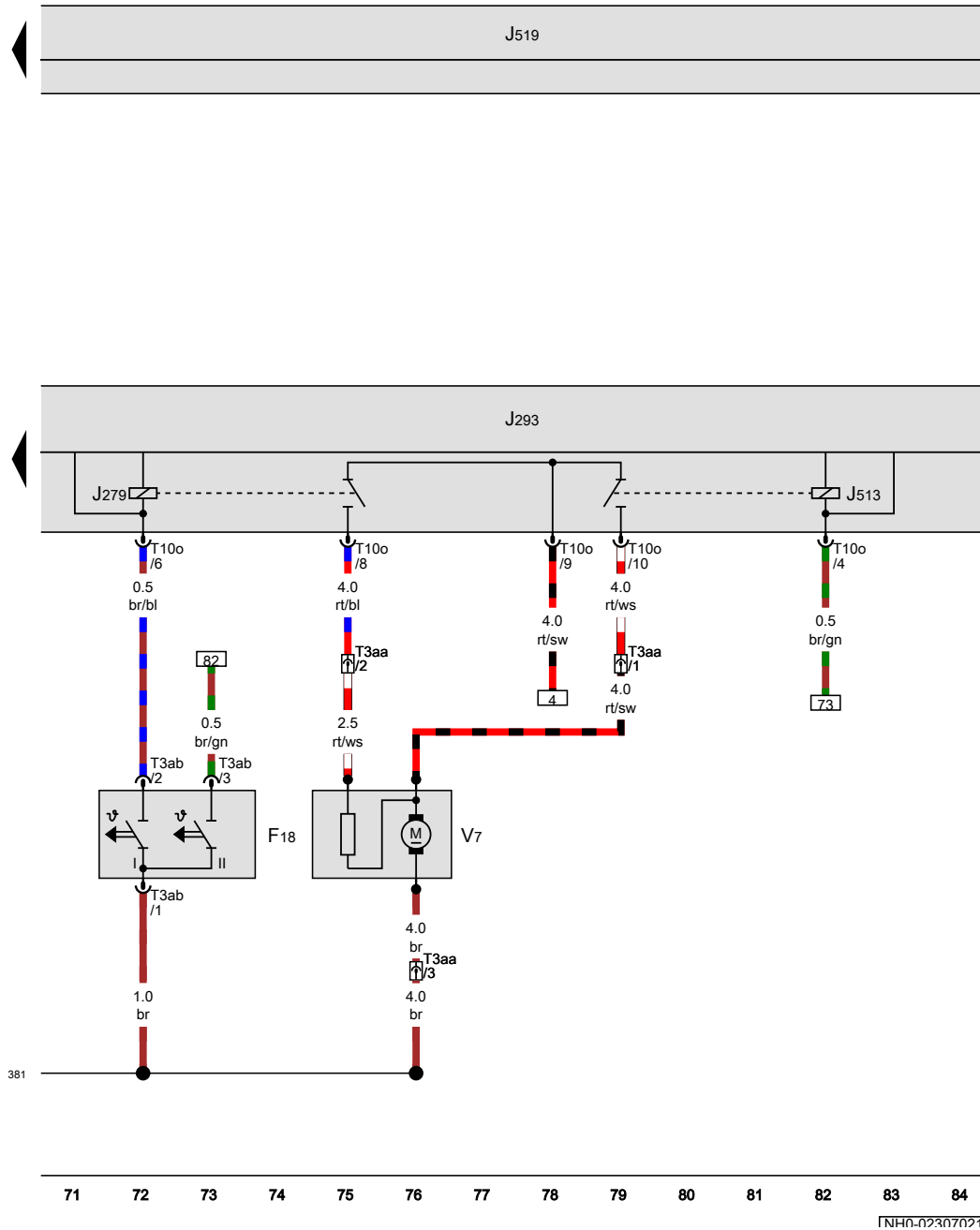
- ws = white
- sw = black
- ro = red
- rt = red
- br = brown
- gn = green
- bl = blue
- gr = grey
- li = purple
- vi = purple
- ge = yellow
- or = orange
- rs = pink

[NH0-023060216]

Radiator fan thermal switch, Radiator fan control unit, Radiator fan

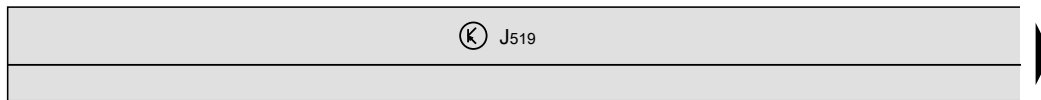
- F18 Radiator fan thermal switch
- J279 Radiator fan V7 and V35 relay - 1st speed
- J293 Radiator fan control unit
- J513 Radiator fan V7 and V35 relay, 2nd speed
- J519 Onboard supply control unit
- T3aa 3-pin connector, on radiator fan
- T3ab 3-pin connector
- T10o 10-pin connector
- V7 Radiator fan

381 Earth connection 16, in main wiring harness



[NH0-023070216]

Climatic , CZCA
From May 2015

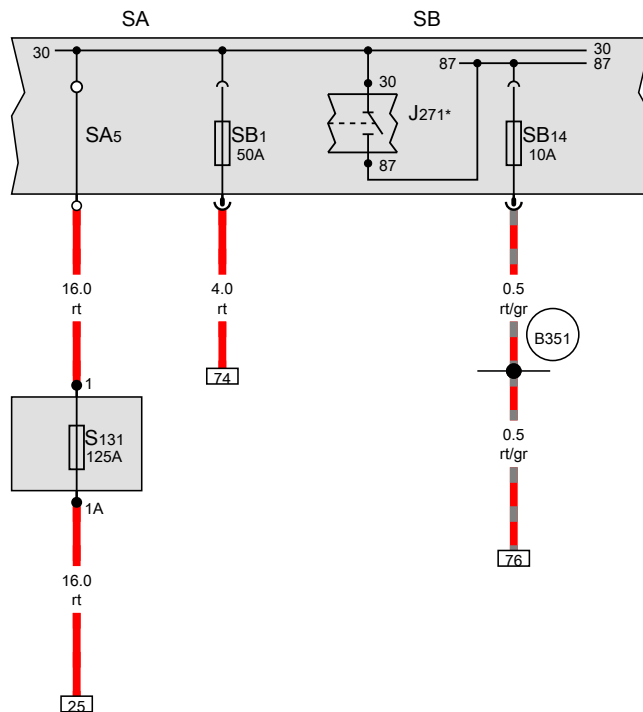


Fuse holder A, Fuse holder B

- J271 Main relay
- J519 Onboard supply control unit
- SA Fuse holder A
- SB1 Fuse 1 on fuse holder B
- SA5 Fuse 5 in fuse holder A
- S131 Fuse 1, in main wiring harness
- SB Fuse holder B
- SB14 Fuse 14 on fuse holder B

B351 Positive connection 2 (87a) in main wiring harness

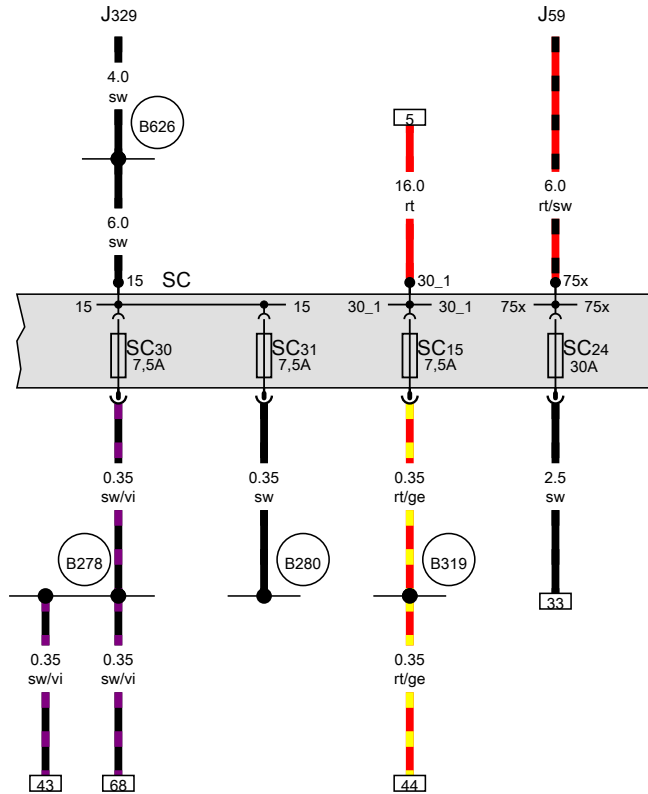
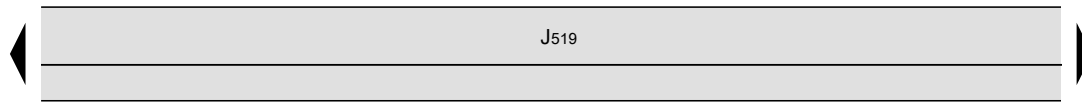
* see applicable current flow diagram for engine



- ws = white
- sw = black
- ro = red
- rt = red
- br = brown
- gn = green
- bl = blue
- gr = grey
- li = purple
- vi = purple
- ge = yellow
- or = orange
- rs = pink

1 2 3 4 5 6 7 8 9 10 11 12 13 14

[NH0-024020216]



Fuse holder C

- J59 X-contact relief relay
- J329 Terminal 15 voltage supply relay
- J519 Onboard supply control unit
- SC Fuse holder C
- SC15 Fuse 15 on fuse holder C
- SC24 Fuse 24 on fuse holder C
- SC30 Fuse 30 on fuse holder C
- SC31 Fuse 31 on fuse holder C

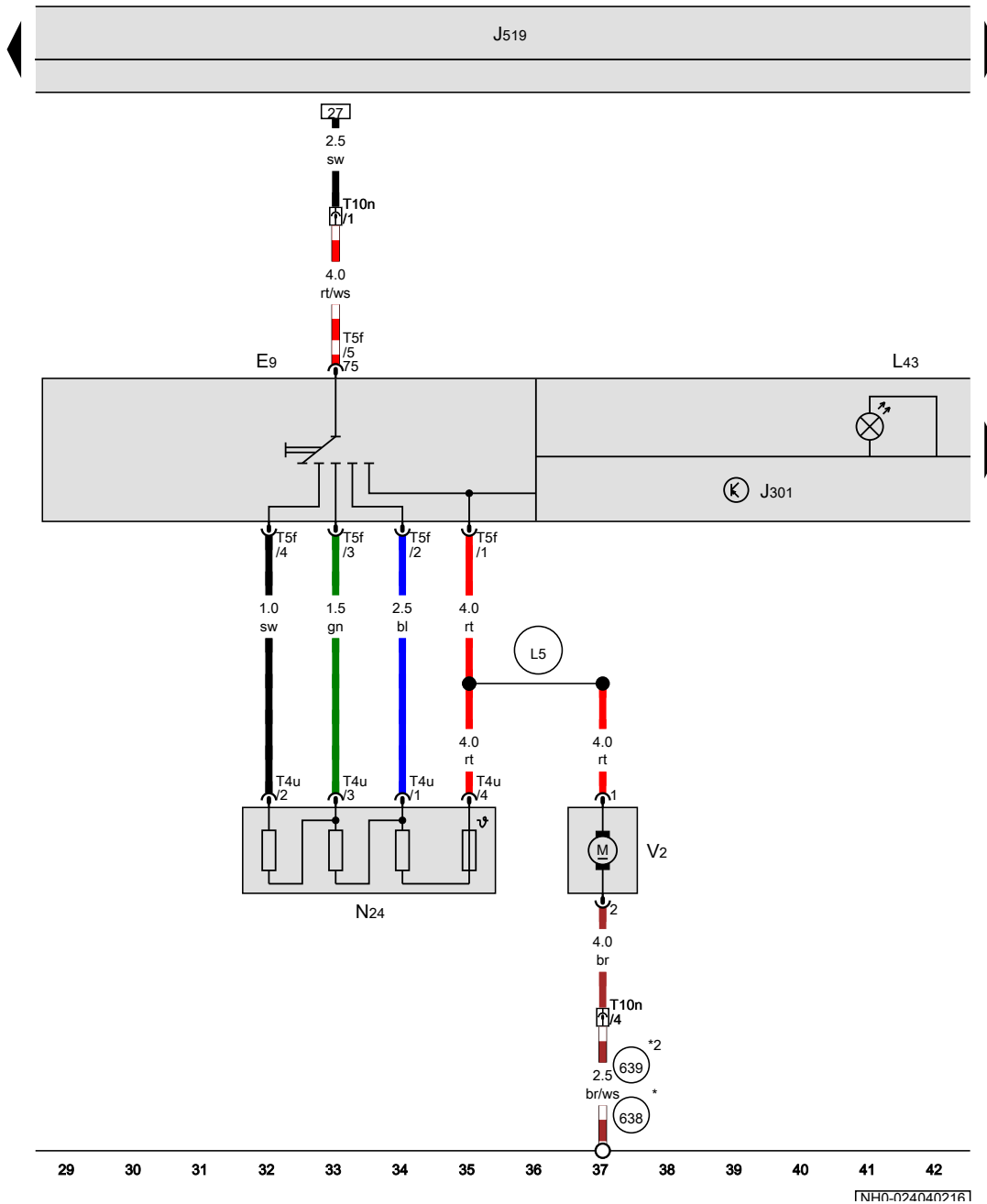
- B278 Positive connection 2 (15a) in main wiring harness
- B280 Positive connection 4 (15a) in main wiring harness
- B319 Positive connection 5 (30a) in main wiring harness
- B626 Positive connection 2 (15), in main wiring harness

- ws = white
- sw = black
- ro = red
- rt = red
- br = brown
- gn = green
- bl = blue
- gr = grey
- li = purple
- vi = purple
- ge = yellow
- or = orange
- rs = pink

15 16 17 18 19 20 21 22 23 24 25 26 27 28

[NH0-024030216]

Air conditioning system control unit, Fresh air blower series resistor with overheating fuse, Fresh air blower

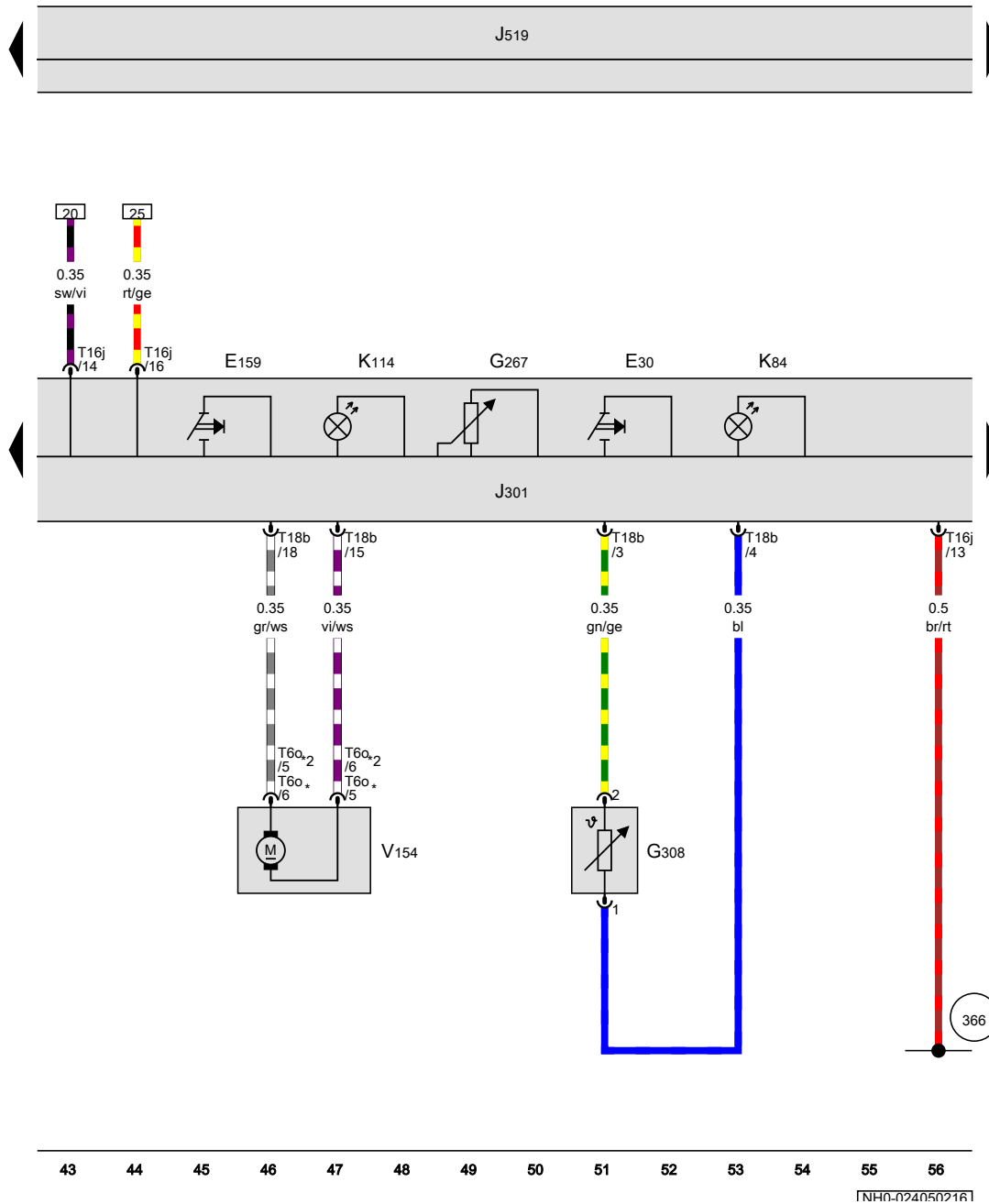


- E9 Fresh air blower switch
- J301 Air conditioning system control unit
- J519 Onboard supply control unit
- L43 Air conditioning system switch illumination bulb
- N24 Fresh air blower series resistor with overheating fuse
- T4u 4-pin connector
- T5f 5-pin connector
- T10n 10-pin connector, behind dash panel
- V2 Fresh air blower

- 638 Earth point, on right A-pillar
- 639 Earth point, left A-pillar
- L5 Connection 1, in evaporator housing unit wiring harness
- * Only left-hand drive models
- *2 Only right-hand drive models

- ws = white
- sw = black
- ro = red
- rt = red
- br = brown
- gn = green
- bl = blue
- gr = grey
- li = purple
- vi = purple
- ge = yellow
- or = orange
- rs = pink

Evaporator temperature sensor, Air conditioning system control unit, Fresh air and air recirculation flap control motor



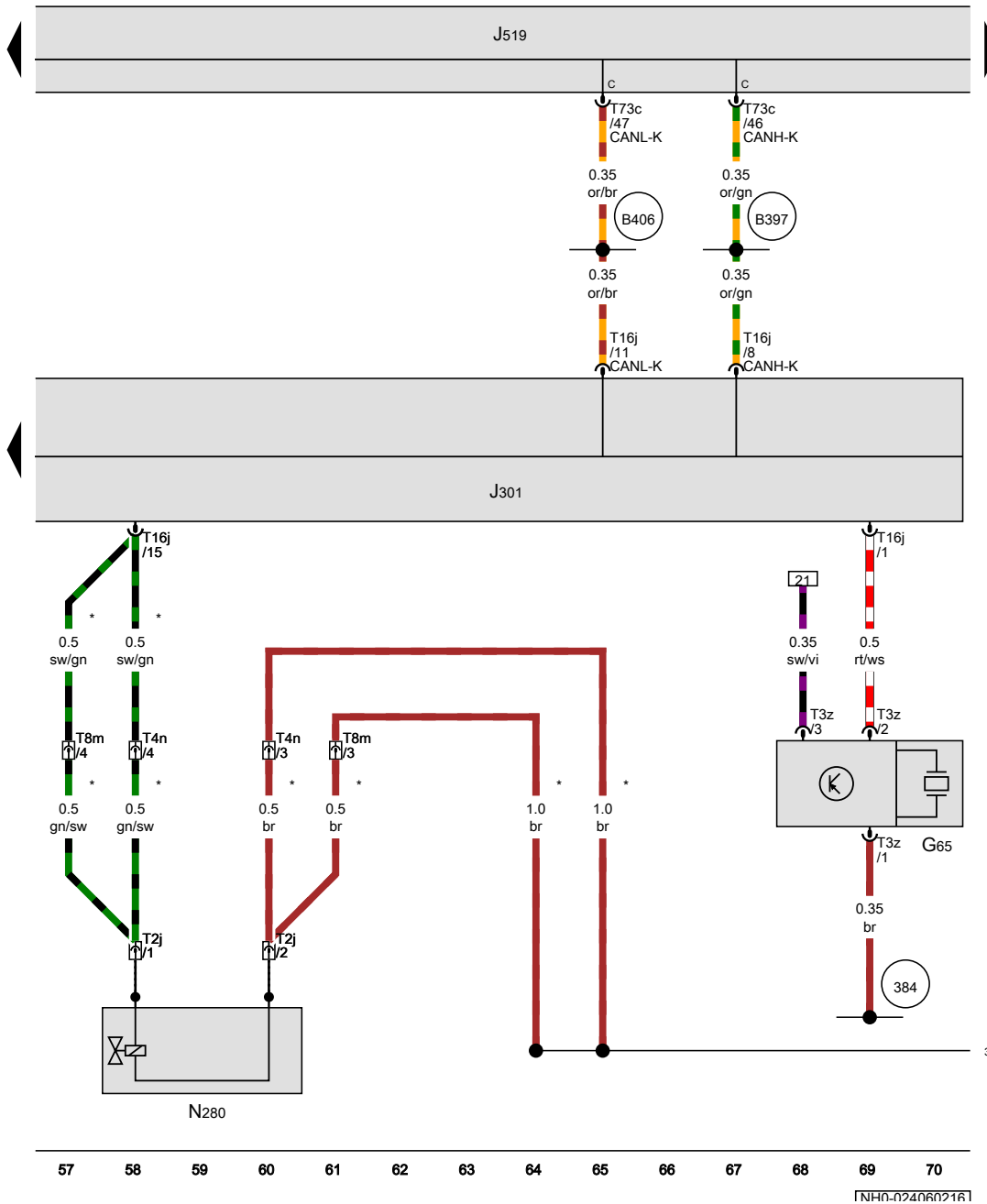
- E30 Air conditioning system switch
- E159 Fresh air and air recirculation flap switch
- G267 Potentiometer for temperature selection rotary knob
- G308 Evaporator temperature sensor
- J301 Air conditioning system control unit
- J519 Onboard supply control unit
- K84 Air conditioning system warning lamp
- K114 Fresh air and air recirculation warning lamp
- T6o 6-pin connector
- T16j 16-pin connector
- T18b 18-pin connector
- V154 Fresh air and air recirculation flap control motor

366 Earth connection 1, in main wiring harness

- * Only left-hand drive models
- *2 Only right-hand drive models

- ws = white
- sw = black
- ro = red
- rt = red
- br = brown
- gn = green
- bl = blue
- gr = grey
- li = purple
- vi = purple
- ge = yellow
- or = orange
- rs = pink

[NH0-024050216]



High-pressure sender, Air conditioning system control unit, Air conditioner compressor regulating valve

- G65 High-pressure sender
- J301 Air conditioning system control unit
- J519 Onboard supply control unit
- N280 Air conditioner compressor regulating valve
- T2j 2-pin connector
- T3z 3-pin connector
- T4n 4-pin connector, front left in engine compartment
- T8m 8-pin connector, front left in engine compartment
- T16j 16-pin connector
- T73c 73-pin connector, black

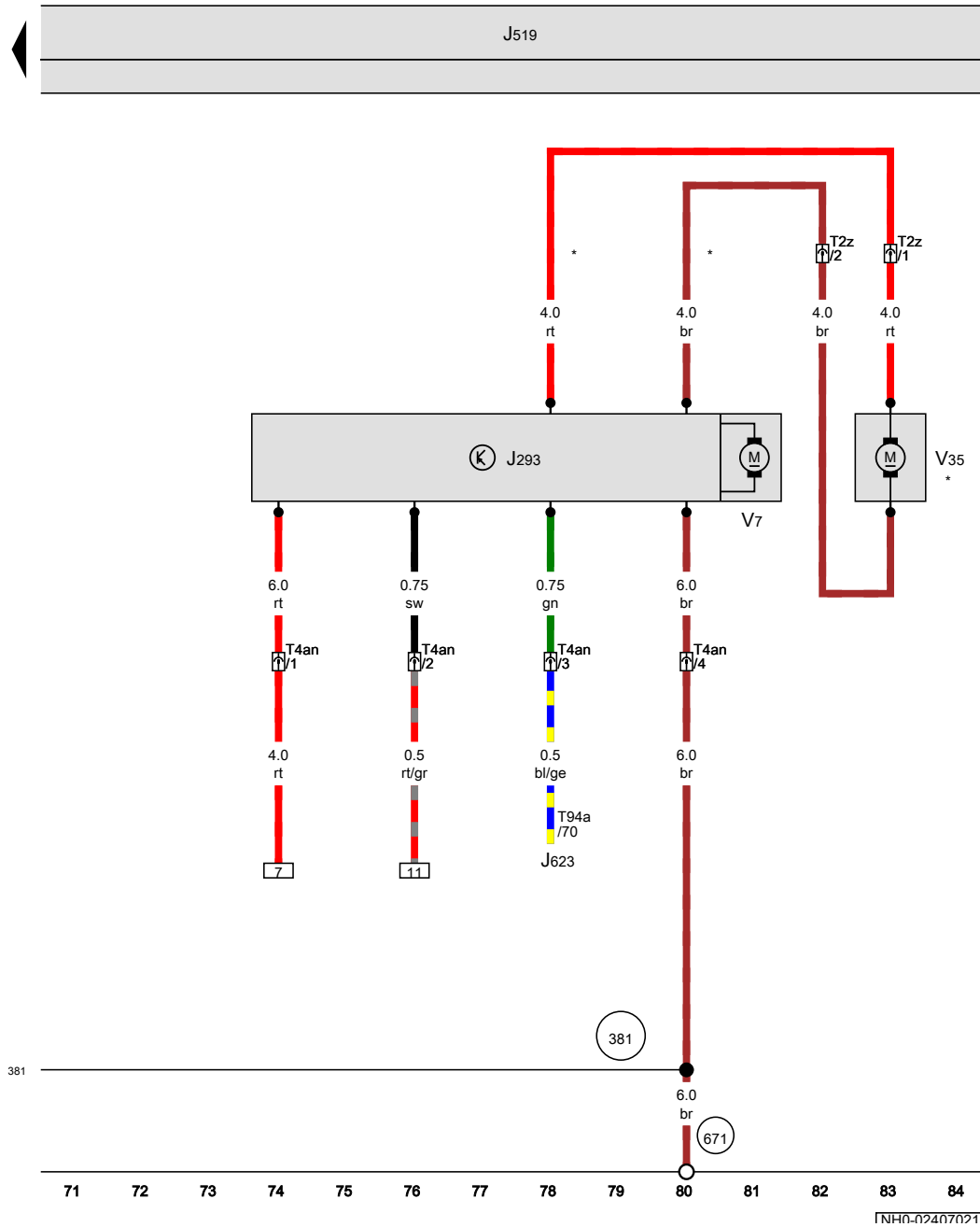
- 381 Earth connection 16, in main wiring harness
- 384 Earth connection 19, in main wiring harness
- B397 Connection 1 (convenience CAN bus, high), in main wiring harness
- B406 Connection 1 (convenience CAN bus, low), in main wiring harness
- * According to equipment

1NH0-024060216

Radiator fan control unit, Radiator fan, Right radiator fan

- J293 Radiator fan control unit
- J519 Onboard supply control unit
- J623 Engine control unit
- T2z 2-pin connector, on radiator fan
- T4an 4-pin connector
- T94a 94-pin connector
- V7 Radiator fan
- V35 Right radiator fan

- 381 Earth connection 16, in main wiring harness
- 671 Earth point 1, on front of left longitudinal member
- * Only models with two radiator fans



- ws = white
- sw = black
- ro = red
- rt = red
- br = brown
- gn = green
- bl = blue
- gr = grey
- li = purple
- vi = purple
- ge = yellow
- or = orange
- rs = pink

[NH0-024070216]

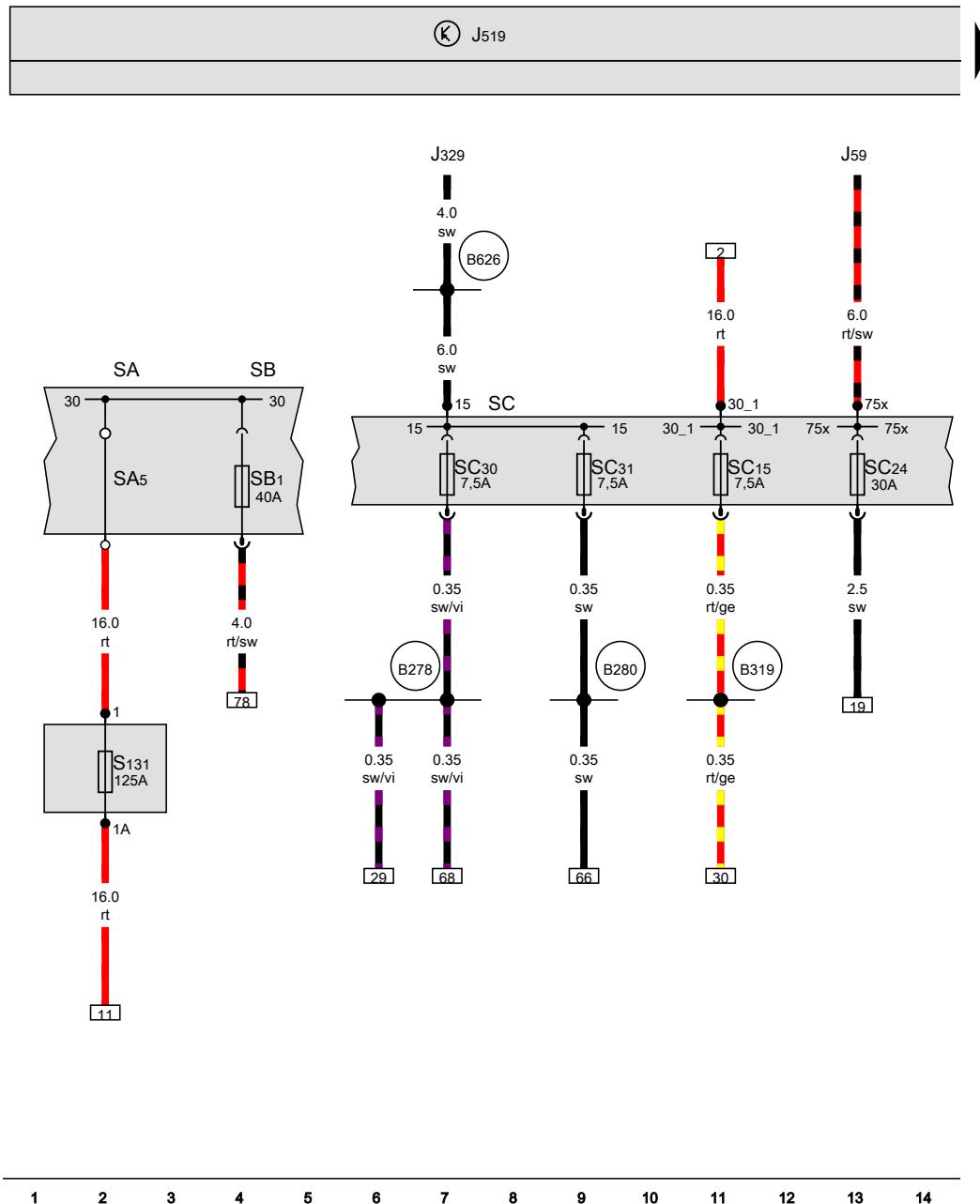
Climatic , CWVB,CWVA

From May 2015

Fuse holder A, Fuse holder B, Fuse holder C

- J59 X-contact relief relay
- J329 Terminal 15 voltage supply relay
- J519 Onboard supply control unit
- SA Fuse holder A
- SB Fuse holder B
- SB1 Fuse 1 on fuse holder B
- SA5 Fuse 5 in fuse holder A
- S131 Fuse 1, in main wiring harness
- SC Fuse holder C
- SC15 Fuse 15 on fuse holder C
- SC24 Fuse 24 on fuse holder C
- SC30 Fuse 30 on fuse holder C
- SC31 Fuse 31 on fuse holder C

- (B278) Positive connection 2 (15a) in main wiring harness
- (B280) Positive connection 4 (15a) in main wiring harness
- (B319) Positive connection 5 (30a) in main wiring harness
- (B626) Positive connection 2 (15), in main wiring harness



- ws = white
- sw = black
- ro = red
- rt = red
- br = brown
- gn = green
- bl = blue
- gr = grey
- li = purple
- vi = purple
- ge = yellow
- or = orange
- rs = pink

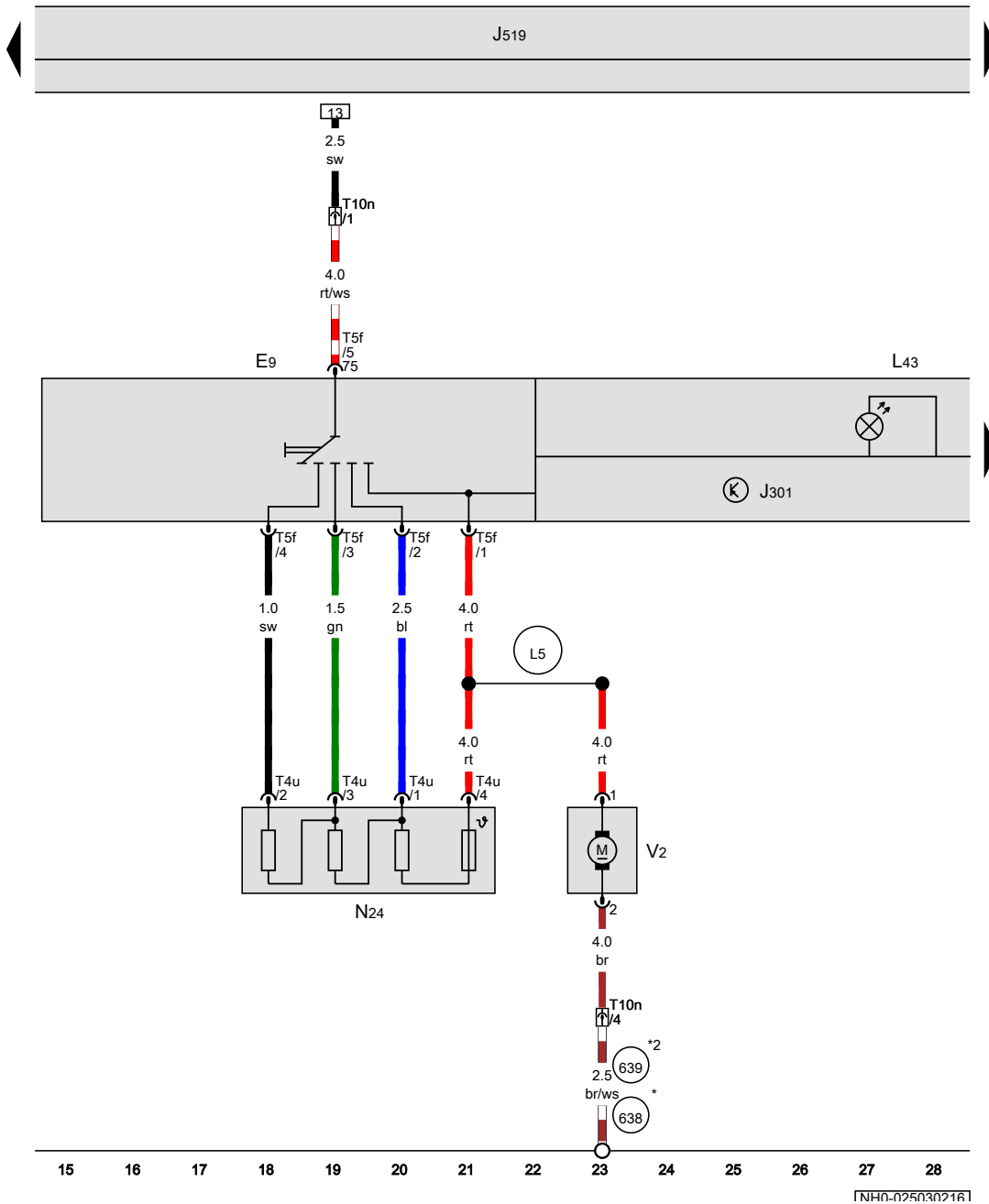
1 2 3 4 5 6 7 8 9 10 11 12 13 14

[NH0-025020216]

Air conditioning system control unit, Fresh air blower series resistor with overheating fuse, Fresh air blower

- E9 Fresh air blower switch
- J301 Air conditioning system control unit
- J519 Onboard supply control unit
- L43 Air conditioning system switch illumination bulb
- N24 Fresh air blower series resistor with overheating fuse
- T4u 4-pin connector
- T5f 5-pin connector
- T10n 10-pin connector, behind dash panel
- V2 Fresh air blower

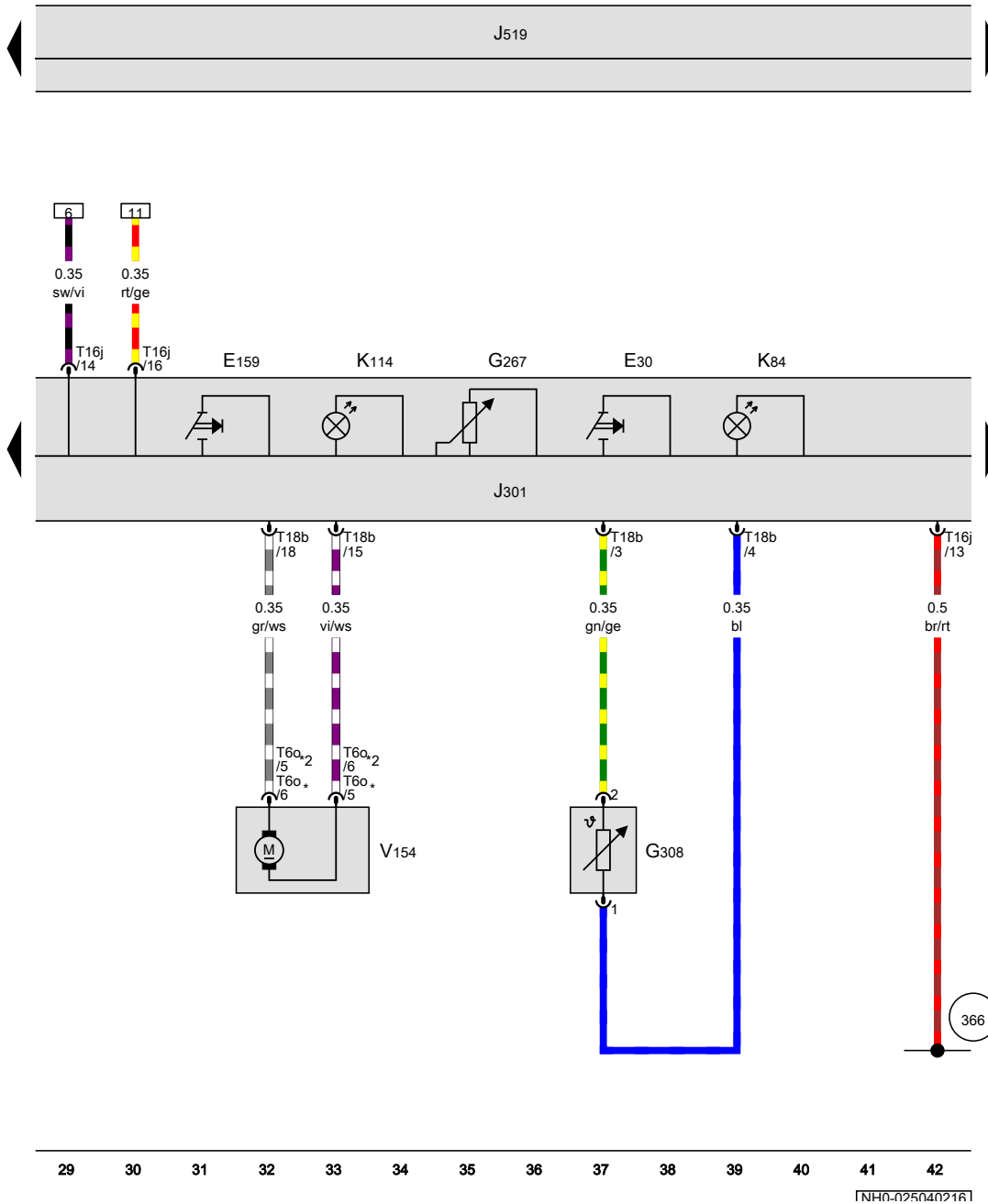
- 638 Earth point, on right A-pillar
- 639 Earth point, left A-pillar
- L5 Connection 1, in evaporator housing unit wiring harness
- * Only left-hand drive models
- *2 Only right-hand drive models



- ws = white
- sw = black
- ro = red
- rt = red
- br = brown
- gn = green
- bl = blue
- gr = grey
- li = purple
- vi = purple
- ge = yellow
- or = orange
- rs = pink

[NH0-025030216]

Evaporator temperature sensor, Air conditioning system control unit, Fresh air and air recirculation flap control motor



- E30 Air conditioning system switch
- E159 Fresh air and air recirculation flap switch
- G267 Potentiometer for temperature selection rotary knob
- G308 Evaporator temperature sensor
- J301 Air conditioning system control unit
- J519 Onboard supply control unit
- K84 Air conditioning system warning lamp
- K114 Fresh air and air recirculation warning lamp
- T6o 6-pin connector
- T16j 16-pin connector
- T18b 18-pin connector
- V154 Fresh air and air recirculation flap control motor

366 Earth connection 1, in main wiring harness

- * Only left-hand drive models
- *2 Only right-hand drive models

- ws = white
- sw = black
- ro = red
- rt = red
- br = brown
- gn = green
- bl = blue
- gr = grey
- li = purple
- vi = purple
- ge = yellow
- or = orange
- rs = pink

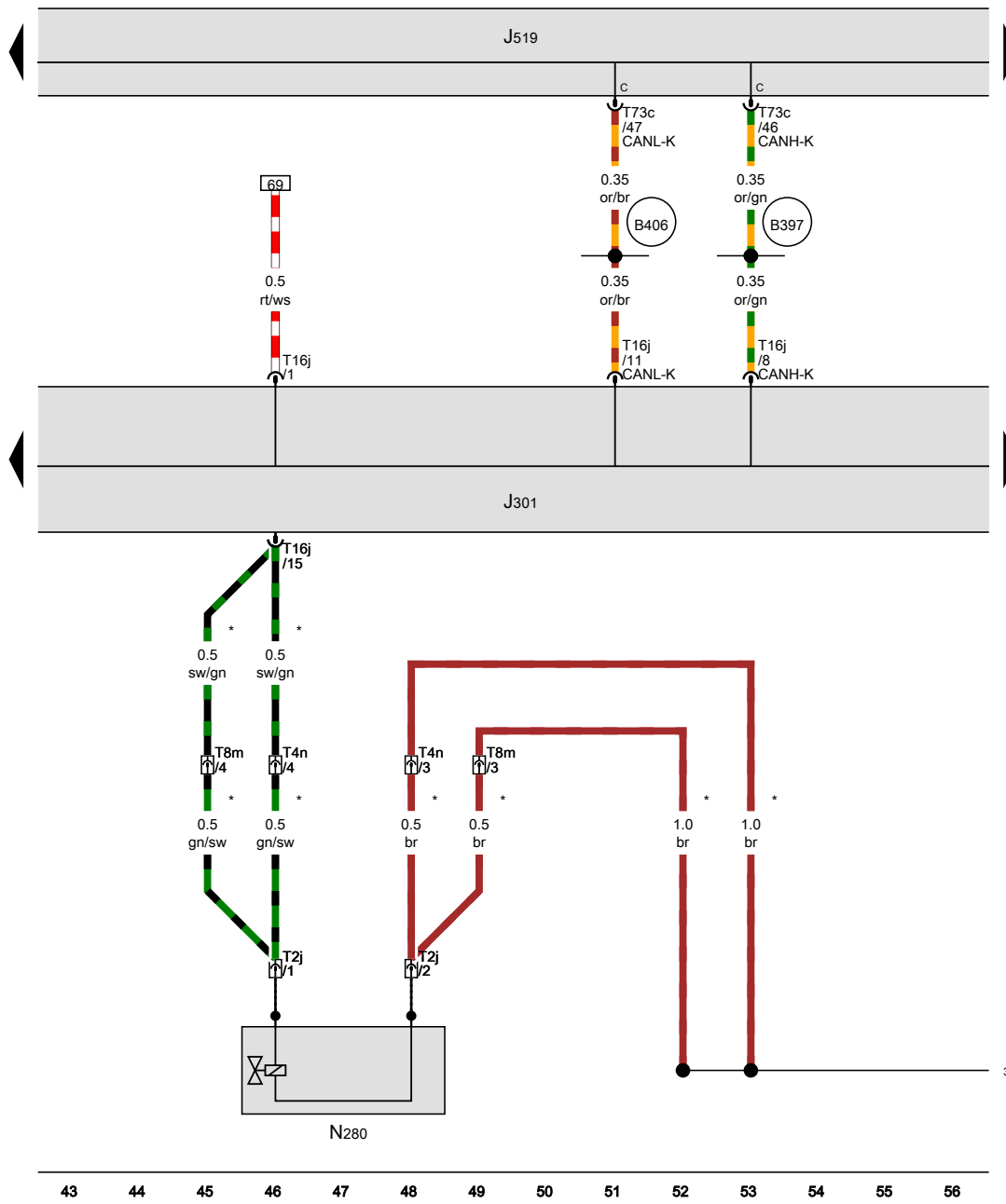
29 30 31 32 33 34 35 36 37 38 39 40 41 42

[NH0-025040216]

Air conditioning system control unit, Air conditioner compressor regulating valve

- J301 Air conditioning system control unit
- J519 Onboard supply control unit
- N280 Air conditioner compressor regulating valve
- T2j 2-pin connector
- T4n 4-pin connector, front left in engine compartment
- T8m 8-pin connector, front left in engine compartment
- T16j 16-pin connector
- T73c 73-pin connector, black

- 381 Earth connection 16, in main wiring harness
- B397 Connection 1 (convenience CAN bus, high), in main wiring harness
- B406 Connection 1 (convenience CAN bus, low), in main wiring harness
- * According to equipment



[NH0-025050216]

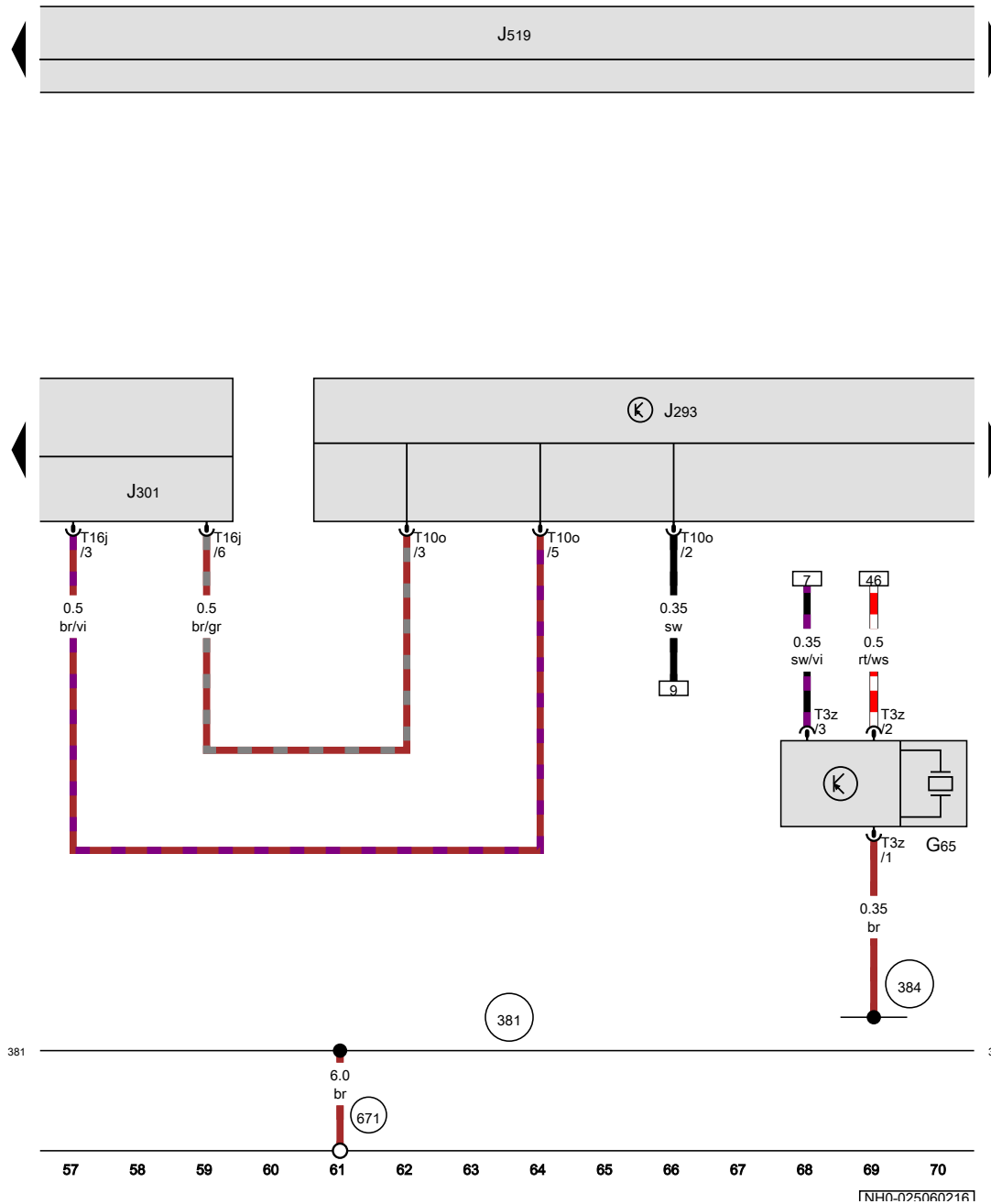
High-pressure sender, Radiator fan control unit, Air conditioning system control unit

- G65 High-pressure sender
- J293 Radiator fan control unit
- J301 Air conditioning system control unit
- J519 Onboard supply control unit
- T3z 3-pin connector
- T10o 10-pin connector
- T16j 16-pin connector

381 Earth connection 16, in main wiring harness

384 Earth connection 19, in main wiring harness

671 Earth point 1, on front of left longitudinal member



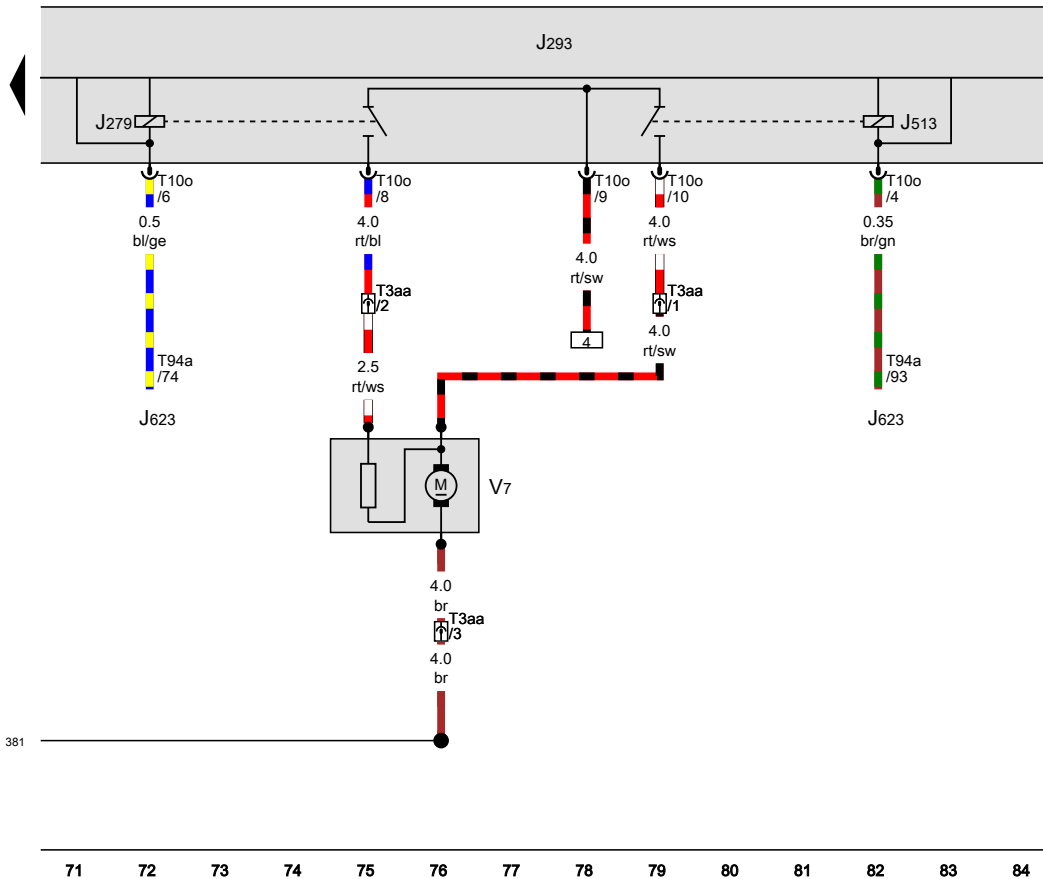
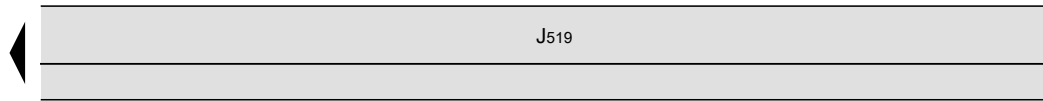
- ws = white
- sw = black
- ro = red
- rt = red
- br = brown
- gn = green
- bl = blue
- gr = grey
- li = purple
- vi = purple
- ge = yellow
- or = orange
- rs = pink

[NH0-025060216]

Radiator fan control unit, Radiator fan

- J279 Radiator fan V7 and V35 relay - 1st speed
- J293 Radiator fan control unit
- J513 Radiator fan V7 and V35 relay, 2nd speed
- J519 Onboard supply control unit
- J623 Engine control unit
- T3aa 3-pin connector, on radiator fan
- T10o 10-pin connector
- T94a 94-pin connector
- V7 Radiator fan

381 Earth connection 16, in main wiring harness



- ws = white
- sw = black
- ro = red
- rt = red
- br = brown
- gn = green
- bl = blue
- gr = grey
- li = purple
- vi = purple
- ge = yellow
- or = orange
- rs = pink

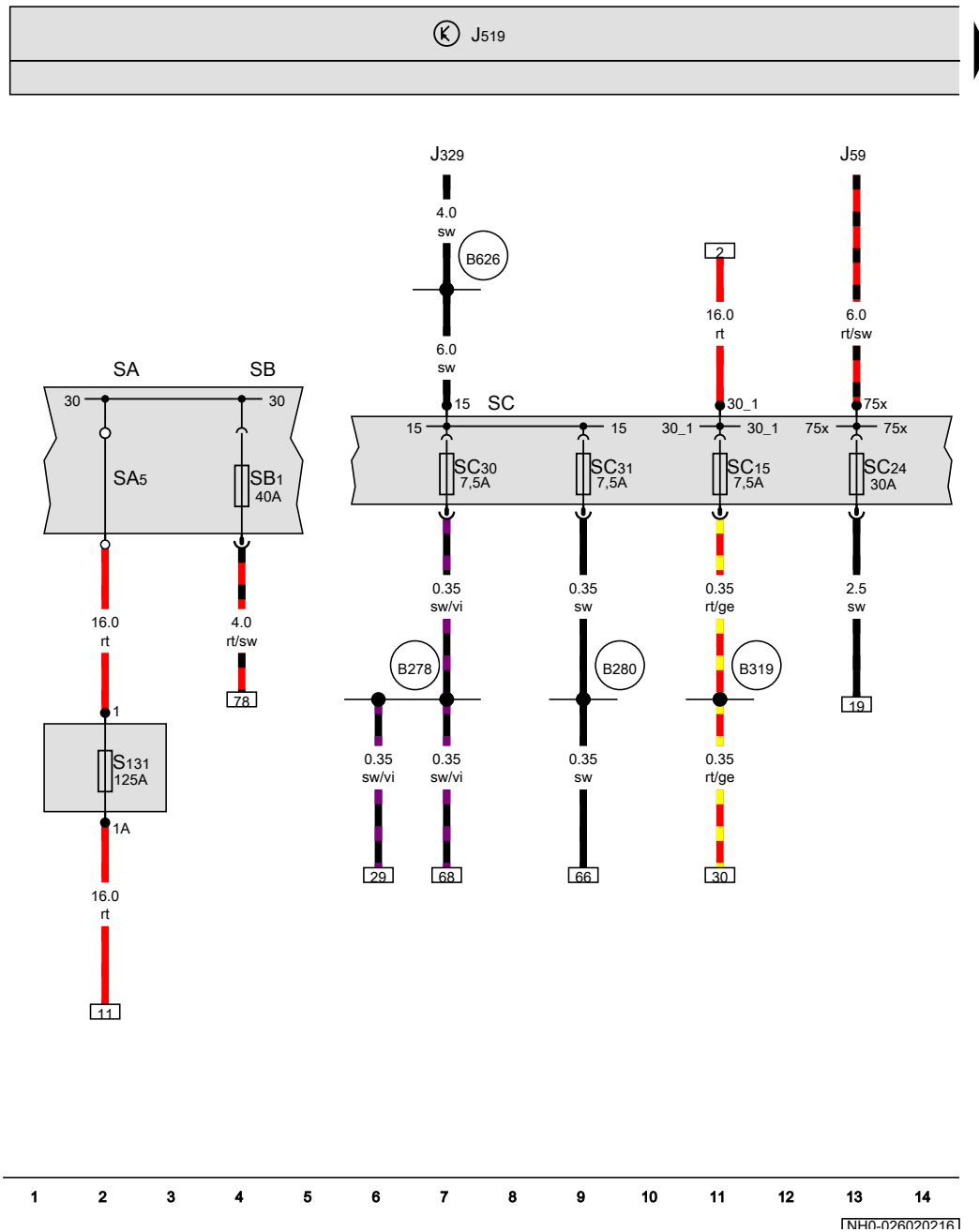
[NH0-025070216]

Climatic , CUSB
From May 2015

Fuse holder A, Fuse holder B, Fuse holder C

- J59 X-contact relief relay
- J329 Terminal 15 voltage supply relay
- J519 Onboard supply control unit
- SA Fuse holder A
- SB Fuse holder B
- SB1 Fuse 1 on fuse holder B
- SA5 Fuse 5 in fuse holder A
- S131 Fuse 1, in main wiring harness
- SC Fuse holder C
- SC15 Fuse 15 on fuse holder C
- SC24 Fuse 24 on fuse holder C
- SC30 Fuse 30 on fuse holder C
- SC31 Fuse 31 on fuse holder C

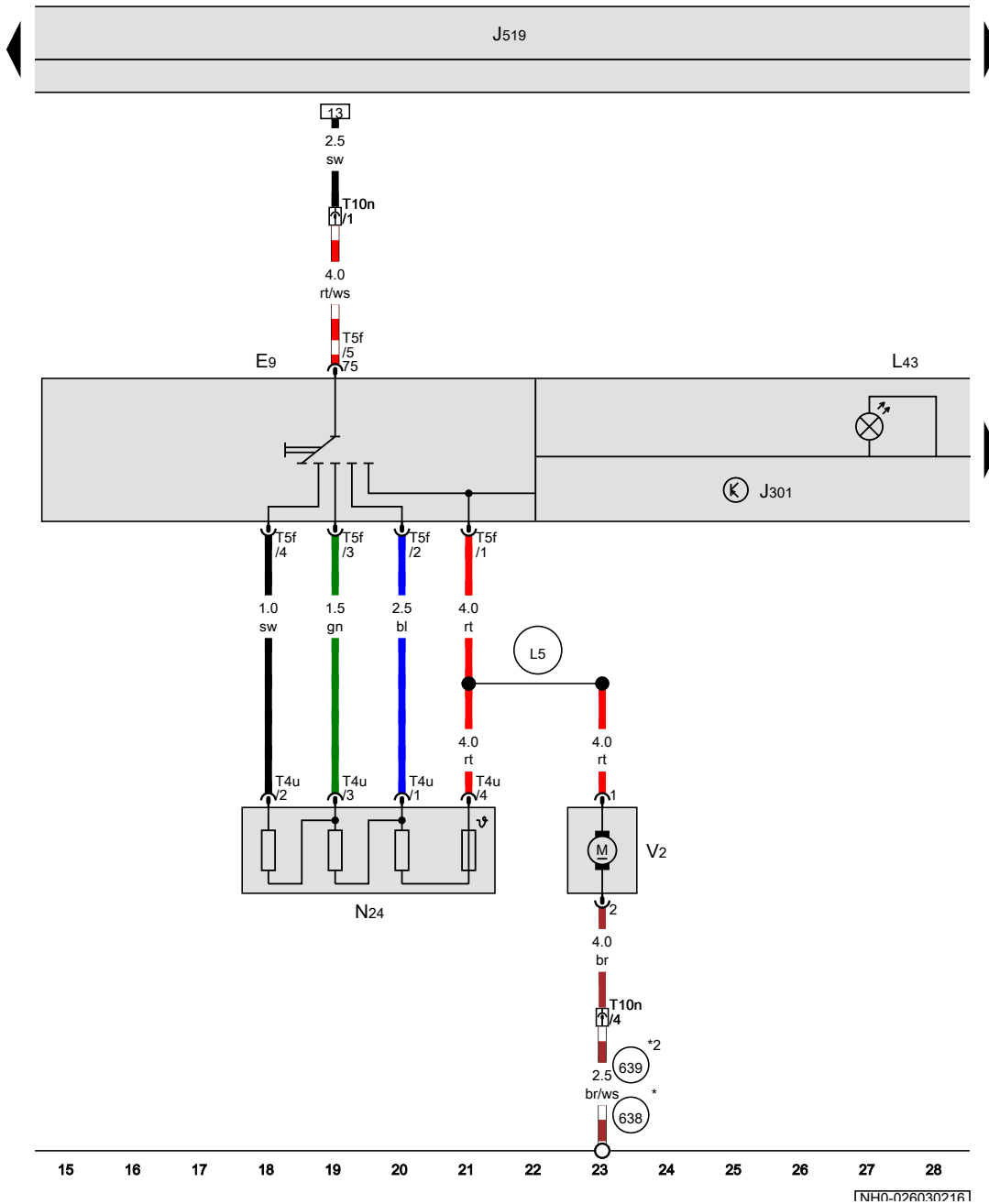
- (B278) Positive connection 2 (15a) in main wiring harness
- (B280) Positive connection 4 (15a) in main wiring harness
- (B319) Positive connection 5 (30a) in main wiring harness
- (B626) Positive connection 2 (15), in main wiring harness



Air conditioning system control unit, Fresh air blower series resistor with overheating fuse, Fresh air blower

- E9 Fresh air blower switch
- J301 Air conditioning system control unit
- J519 Onboard supply control unit
- L43 Air conditioning system switch illumination bulb
- N24 Fresh air blower series resistor with overheating fuse
- T4u 4-pin connector
- T5f 5-pin connector
- T10n 10-pin connector, behind dash panel
- V2 Fresh air blower

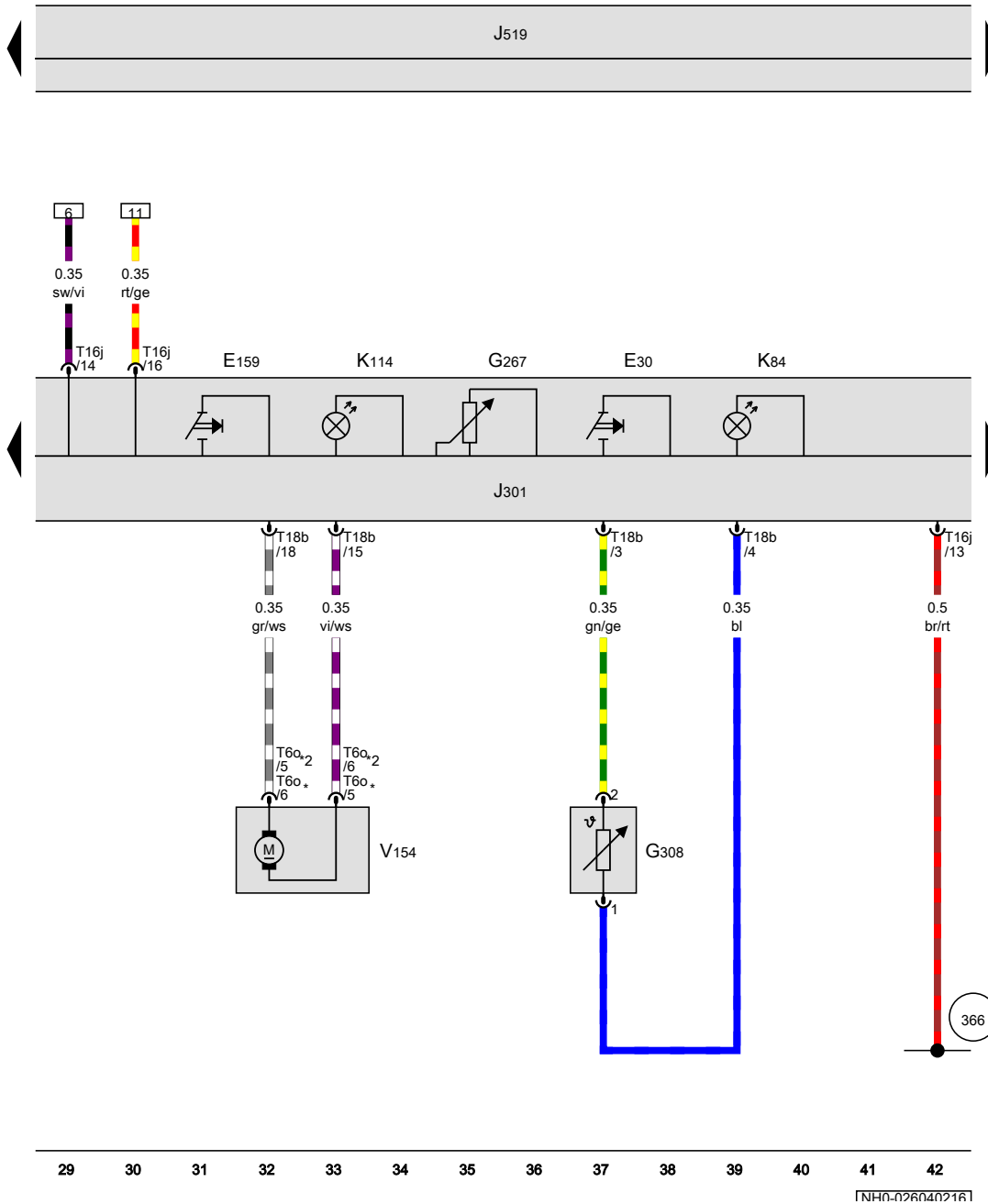
- 638 Earth point, on right A-pillar
- 639 Earth point, left A-pillar
- L5 Connection 1, in evaporator housing unit wiring harness
- * Only left-hand drive models
- *2 Only right-hand drive models



- ws = white
- sw = black
- ro = red
- rt = red
- br = brown
- gn = green
- bl = blue
- gr = grey
- li = purple
- vi = purple
- ge = yellow
- or = orange
- rs = pink

[NH0-026030216]

Evaporator temperature sensor, Air conditioning system control unit, Fresh air and air recirculation flap control motor



- E30 Air conditioning system switch
- E159 Fresh air and air recirculation flap switch
- G267 Potentiometer for temperature selection rotary knob
- G308 Evaporator temperature sensor
- J301 Air conditioning system control unit
- J519 Onboard supply control unit
- K84 Air conditioning system warning lamp
- K114 Fresh air and air recirculation warning lamp
- T6o 6-pin connector
- T16j 16-pin connector
- T18b 18-pin connector
- V154 Fresh air and air recirculation flap control motor

366 Earth connection 1, in main wiring harness

- * Only left-hand drive models
- *2 Only right-hand drive models

- ws = white
- sw = black
- ro = red
- rt = red
- br = brown
- gn = green
- bl = blue
- gr = grey
- li = purple
- vi = purple
- ge = yellow
- or = orange
- rs = pink

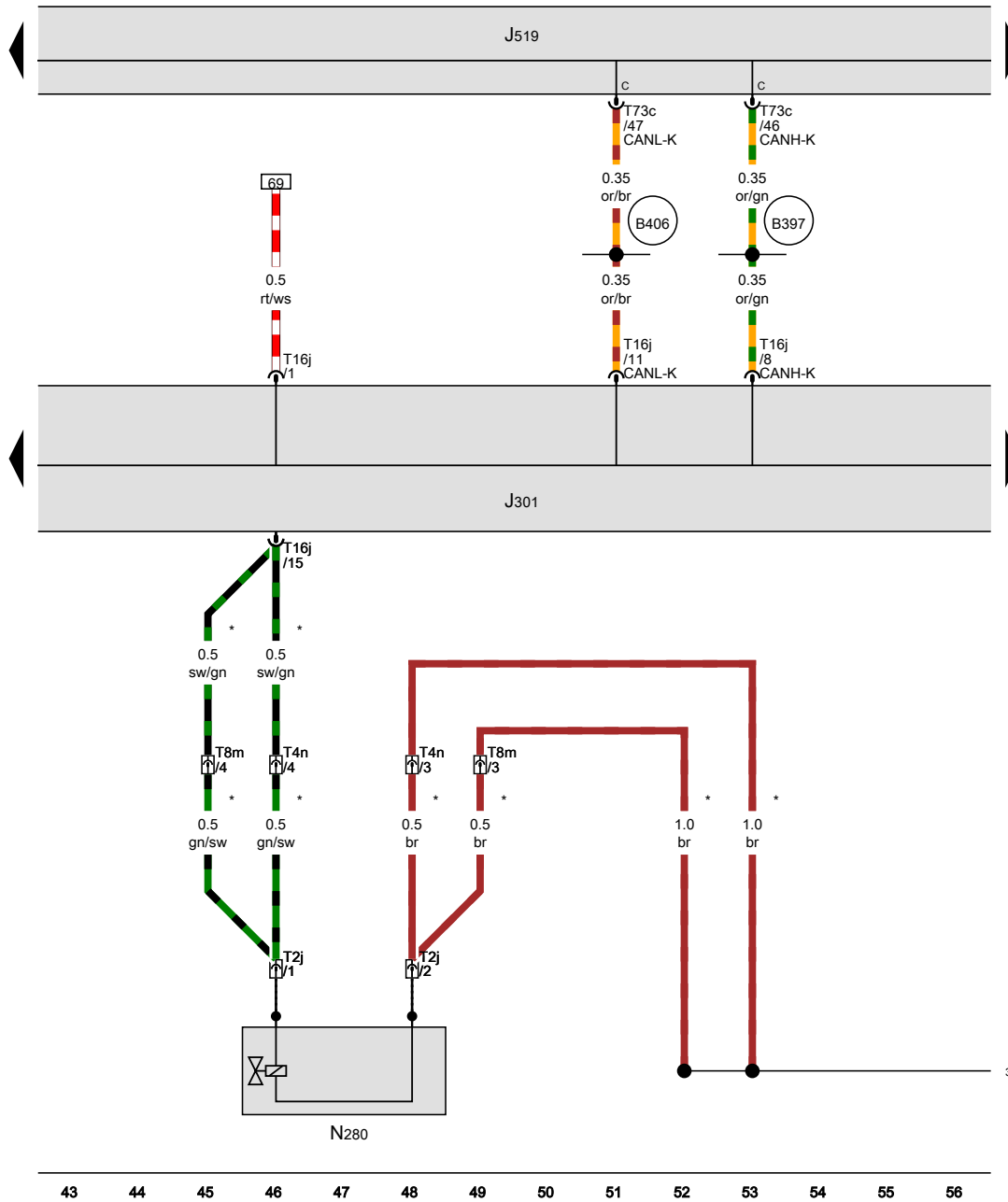
29 30 31 32 33 34 35 36 37 38 39 40 41 42

[NH0-026040216]

Air conditioning system control unit, Air conditioner compressor regulating valve

- J301 Air conditioning system control unit
- J519 Onboard supply control unit
- N280 Air conditioner compressor regulating valve
- T2j 2-pin connector
- T4n 4-pin connector, front left in engine compartment
- T8m 8-pin connector, front left in engine compartment
- T16j 16-pin connector
- T73c 73-pin connector, black

- 381 Earth connection 16, in main wiring harness
- B397 Connection 1 (convenience CAN bus, high), in main wiring harness
- B406 Connection 1 (convenience CAN bus, low), in main wiring harness
- * According to equipment



- ws = white
- sw = black
- ro = red
- rt = red
- br = brown
- gn = green
- bl = blue
- gr = grey
- li = purple
- vi = purple
- ge = yellow
- or = orange
- rs = pink

[NH0-026050216]

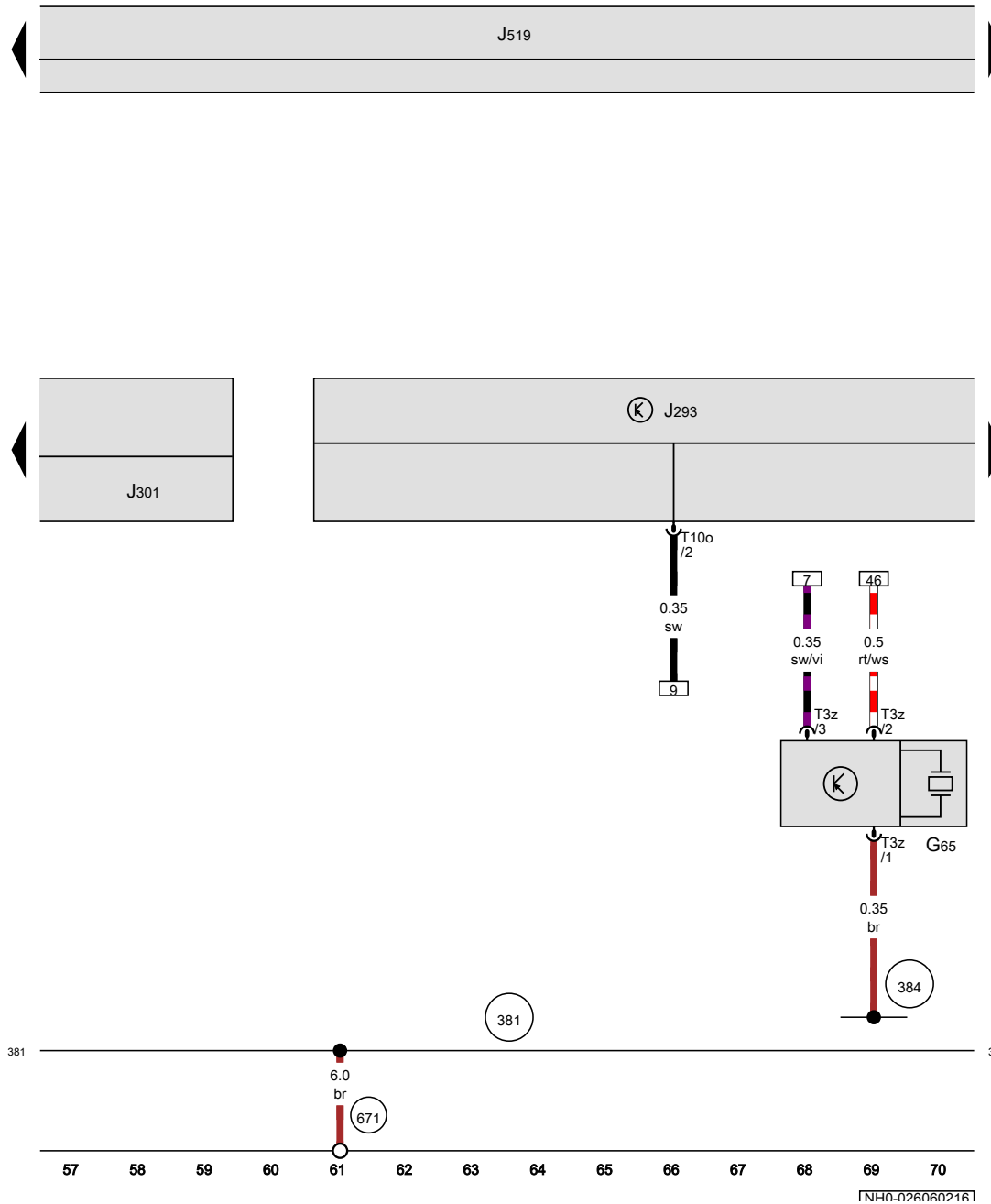
High-pressure sender, Radiator fan control unit, Air conditioning system control unit

- G65 High-pressure sender
- J293 Radiator fan control unit
- J301 Air conditioning system control unit
- J519 Onboard supply control unit
- T3z 3-pin connector
- T10o 10-pin connector

381 Earth connection 16, in main wiring harness

384 Earth connection 19, in main wiring harness

671 Earth point 1, on front of left longitudinal member

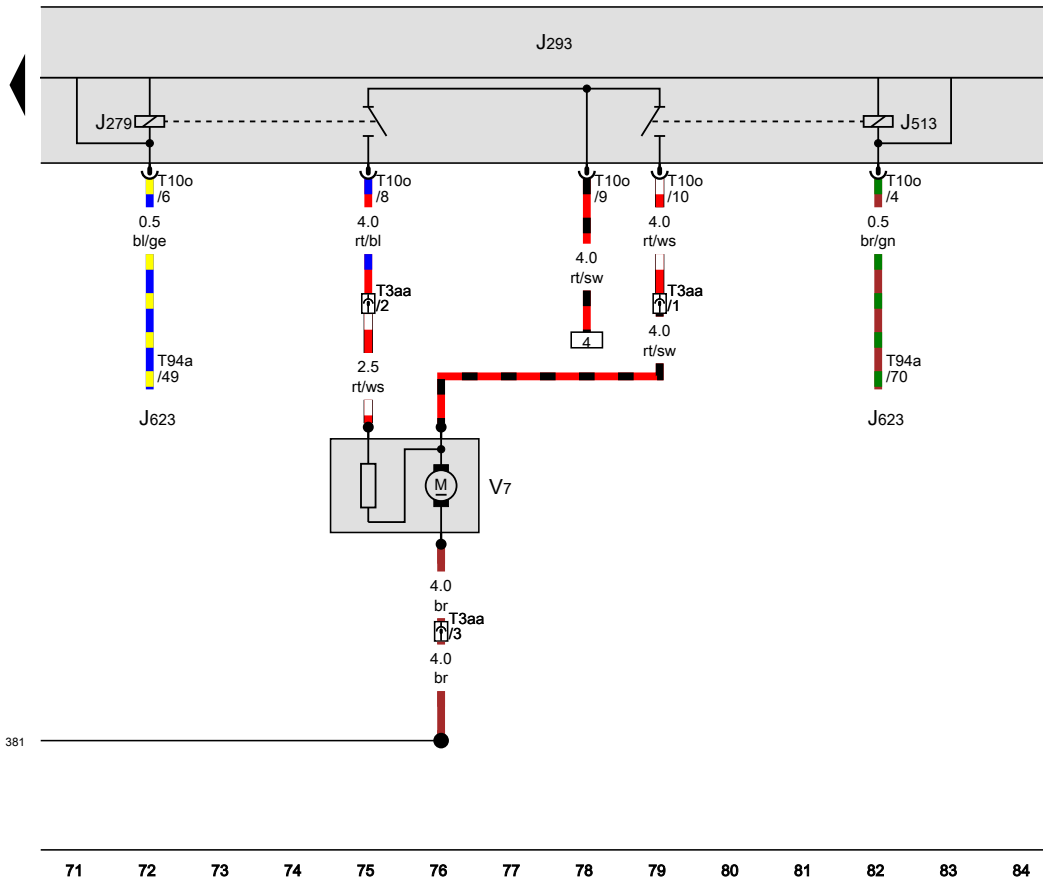
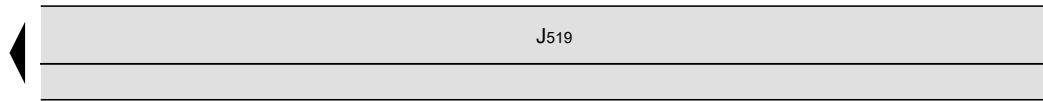


[NH0-026060216]

Radiator fan control unit, Radiator fan

- J279 Radiator fan V7 and V35 relay - 1st speed
- J293 Radiator fan control unit
- J513 Radiator fan V7 and V35 relay, 2nd speed
- J519 Onboard supply control unit
- J623 Engine control unit
- T3aa 3-pin connector, on radiator fan
- T10o 10-pin connector
- T94a 94-pin connector
- V7 Radiator fan

381 Earth connection 16, in main wiring harness



- ws = white
- sw = black
- ro = red
- rt = red
- br = brown
- gn = green
- bl = blue
- gr = grey
- li = purple
- vi = purple
- ge = yellow
- or = orange
- rs = pink

[NH0-026070216]

Climatic , CXMA
From May 2015

Battery, Fuse holder B, Fuse holder D

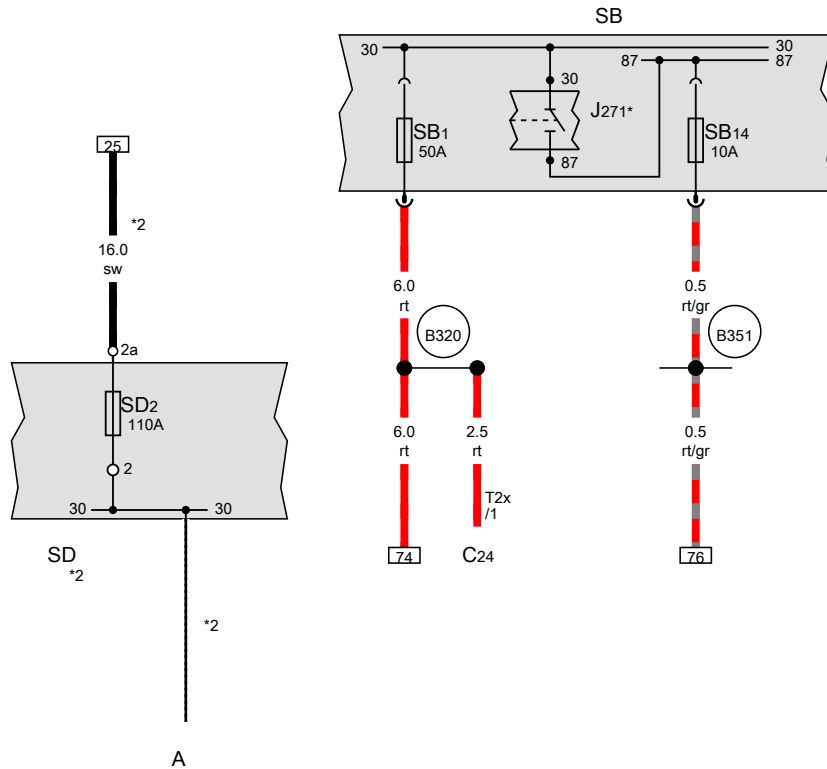
- A Battery
- C24 Suppression filter
- J271 Main relay
- J519 Onboard supply control unit
- SB Fuse holder B
- SB1 Fuse 1 on fuse holder B
- SD2 Fuse 2 on fuse holder D
- SB14 Fuse 14 on fuse holder B
- SD Fuse holder D
- T2x 2-pin connector

B320 Positive connection 6 (30a) in main wiring harness

B351 Positive connection 2 (87a) in main wiring harness

* see applicable current flow diagram for engine

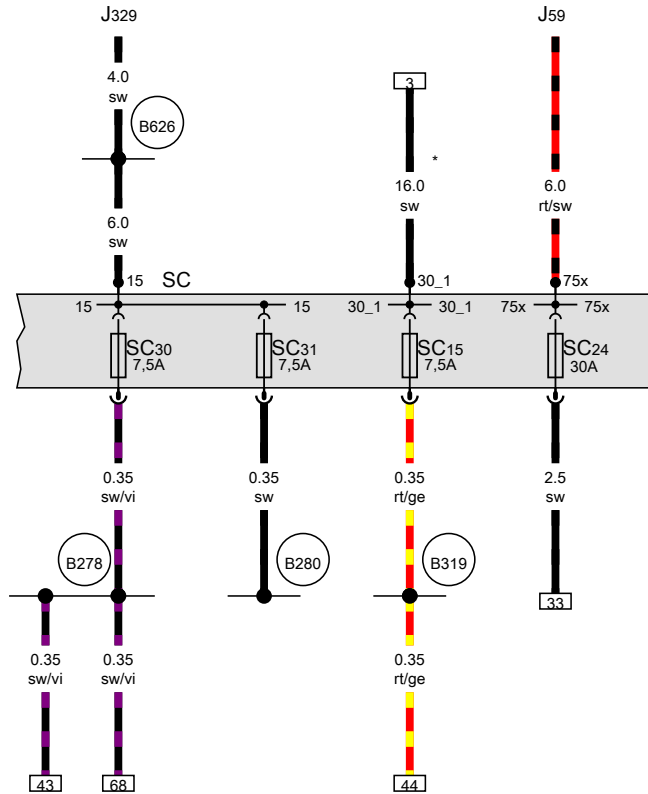
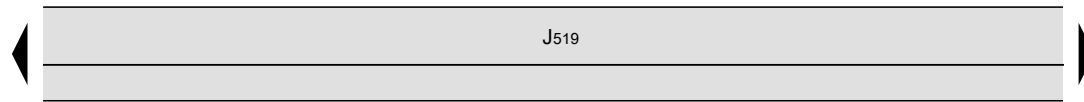
*2 Only models with battery in luggage compartment



- ws = white
- sw = black
- ro = red
- rt = red
- br = brown
- gn = green
- bl = blue
- gr = grey
- li = purple
- vi = purple
- ge = yellow
- or = orange
- rs = pink

1 2 3 4 5 6 7 8 9 10 11 12 13 14

[NH0-027020216]



Fuse holder C

- J59 X-contact relief relay
- J329 Terminal 15 voltage supply relay
- J519 Onboard supply control unit
- SC Fuse holder C
- SC15 Fuse 15 on fuse holder C
- SC24 Fuse 24 on fuse holder C
- SC30 Fuse 30 on fuse holder C
- SC31 Fuse 31 on fuse holder C

- B278 Positive connection 2 (15a) in main wiring harness
- B280 Positive connection 4 (15a) in main wiring harness
- B319 Positive connection 5 (30a) in main wiring harness
- B626 Positive connection 2 (15), in main wiring harness

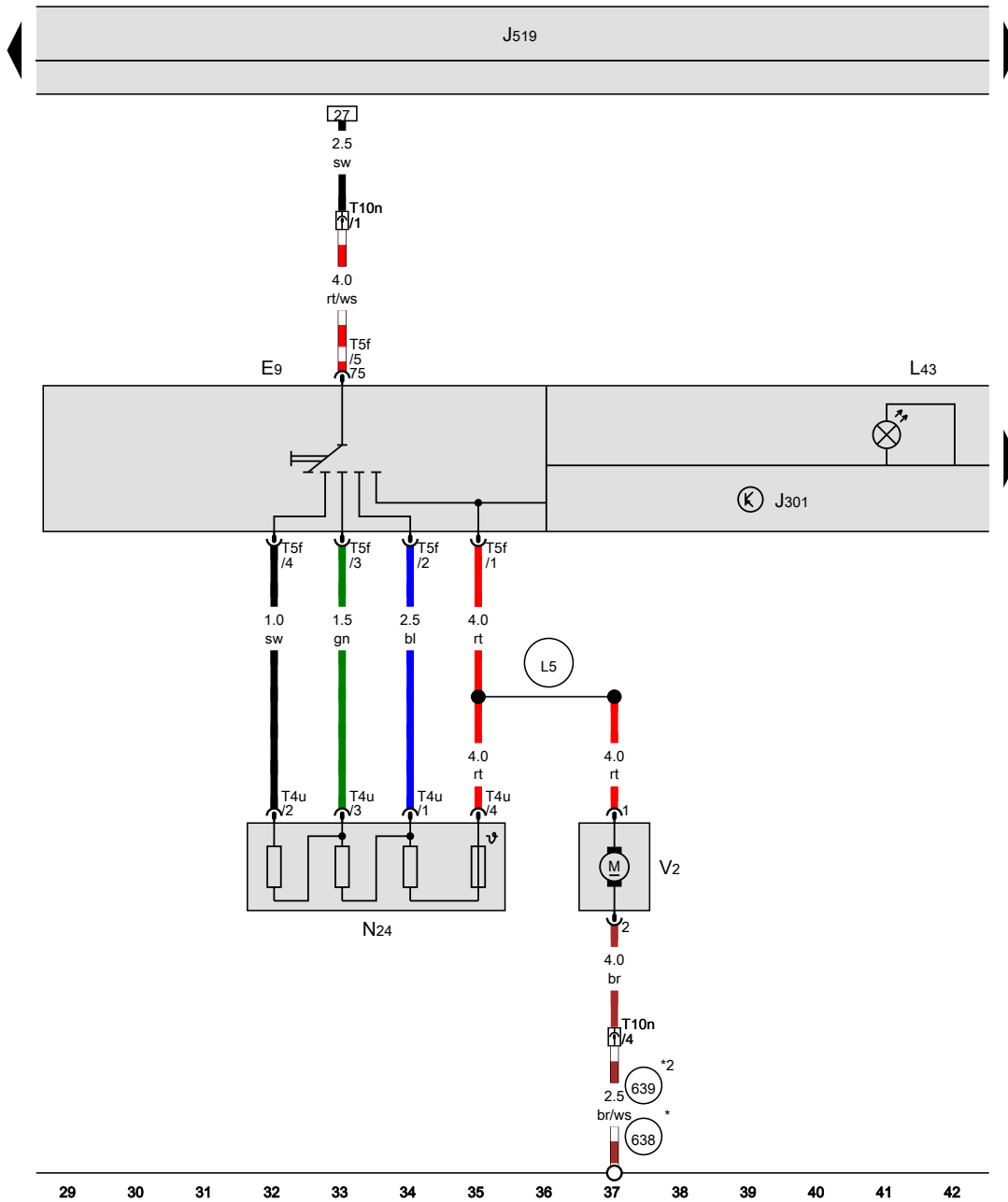
* Only models with battery in luggage compartment

- ws = white
- sw = black
- ro = red
- rt = red
- br = brown
- gn = green
- bl = blue
- gr = grey
- li = purple
- vi = purple
- ge = yellow
- or = orange
- rs = pink

15 16 17 18 19 20 21 22 23 24 25 26 27 28

[NH0-027030216]

Air conditioning system control unit, Fresh air blower series resistor with overheating fuse, Fresh air blower



- E9 Fresh air blower switch
- J301 Air conditioning system control unit
- J519 Onboard supply control unit
- L43 Air conditioning system switch illumination bulb
- N24 Fresh air blower series resistor with overheating fuse
- T4u 4-pin connector
- T5f 5-pin connector
- T10n 10-pin connector, behind dash panel
- V2 Fresh air blower

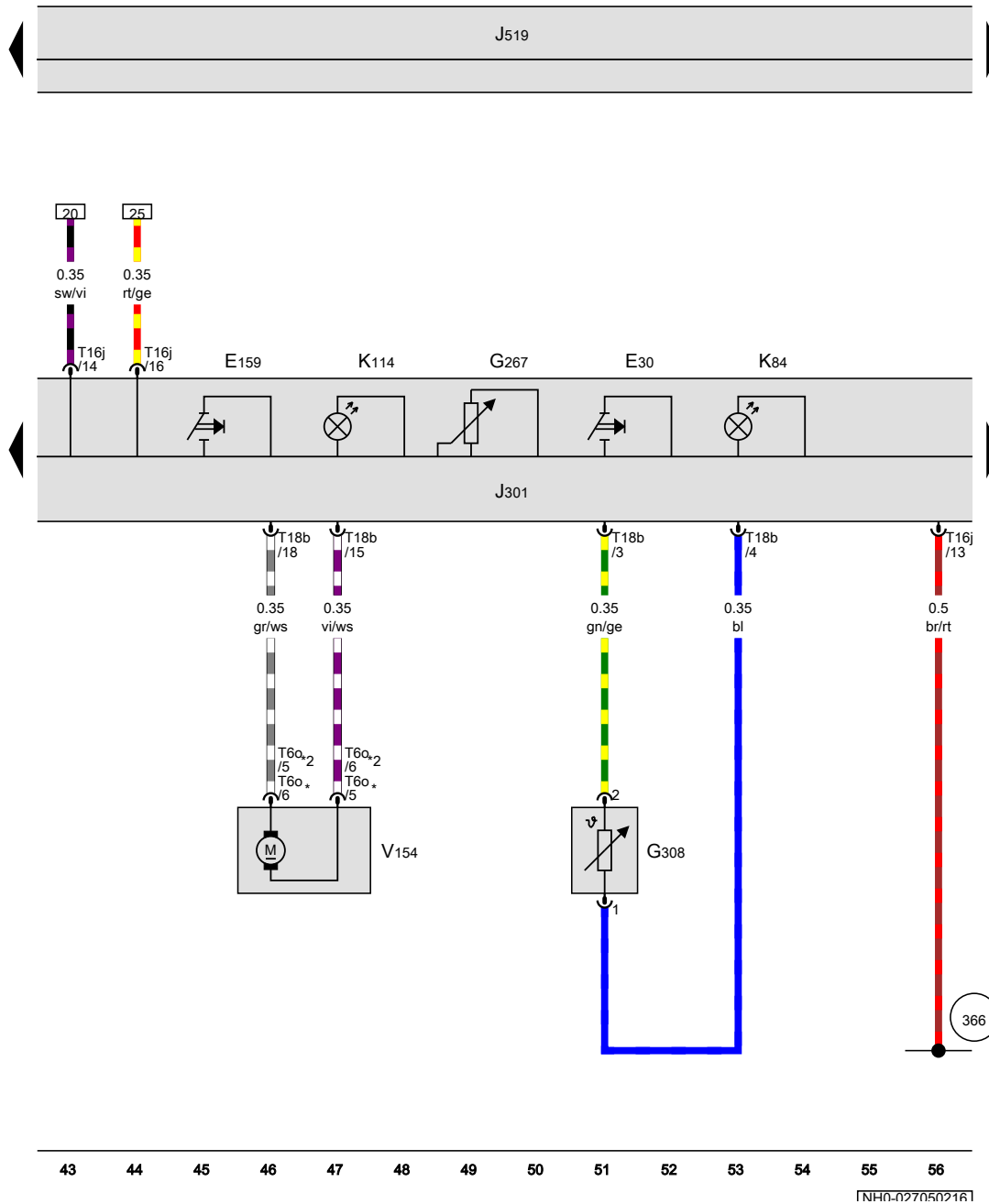
- 638 Earth point, on right A-pillar
- 639 Earth point, left A-pillar
- L5 Connection 1, in evaporator housing unit wiring harness
- * Only left-hand drive models
- *2 Only right-hand drive models

- ws = white
- sw = black
- ro = red
- rt = red
- br = brown
- gn = green
- bl = blue
- gr = grey
- li = purple
- vi = purple
- ge = yellow
- or = orange
- rs = pink

29 30 31 32 33 34 35 36 37 38 39 40 41 42

[NH0-027040216]

Evaporator temperature sensor, Air conditioning system control unit, Fresh air and air recirculation flap control motor



- E30 Air conditioning system switch
- E159 Fresh air and air recirculation flap switch
- G267 Potentiometer for temperature selection rotary knob
- G308 Evaporator temperature sensor
- J301 Air conditioning system control unit
- J519 Onboard supply control unit
- K84 Air conditioning system warning lamp
- K114 Fresh air and air recirculation warning lamp
- T6o 6-pin connector
- T16j 16-pin connector
- T18b 18-pin connector
- V154 Fresh air and air recirculation flap control motor

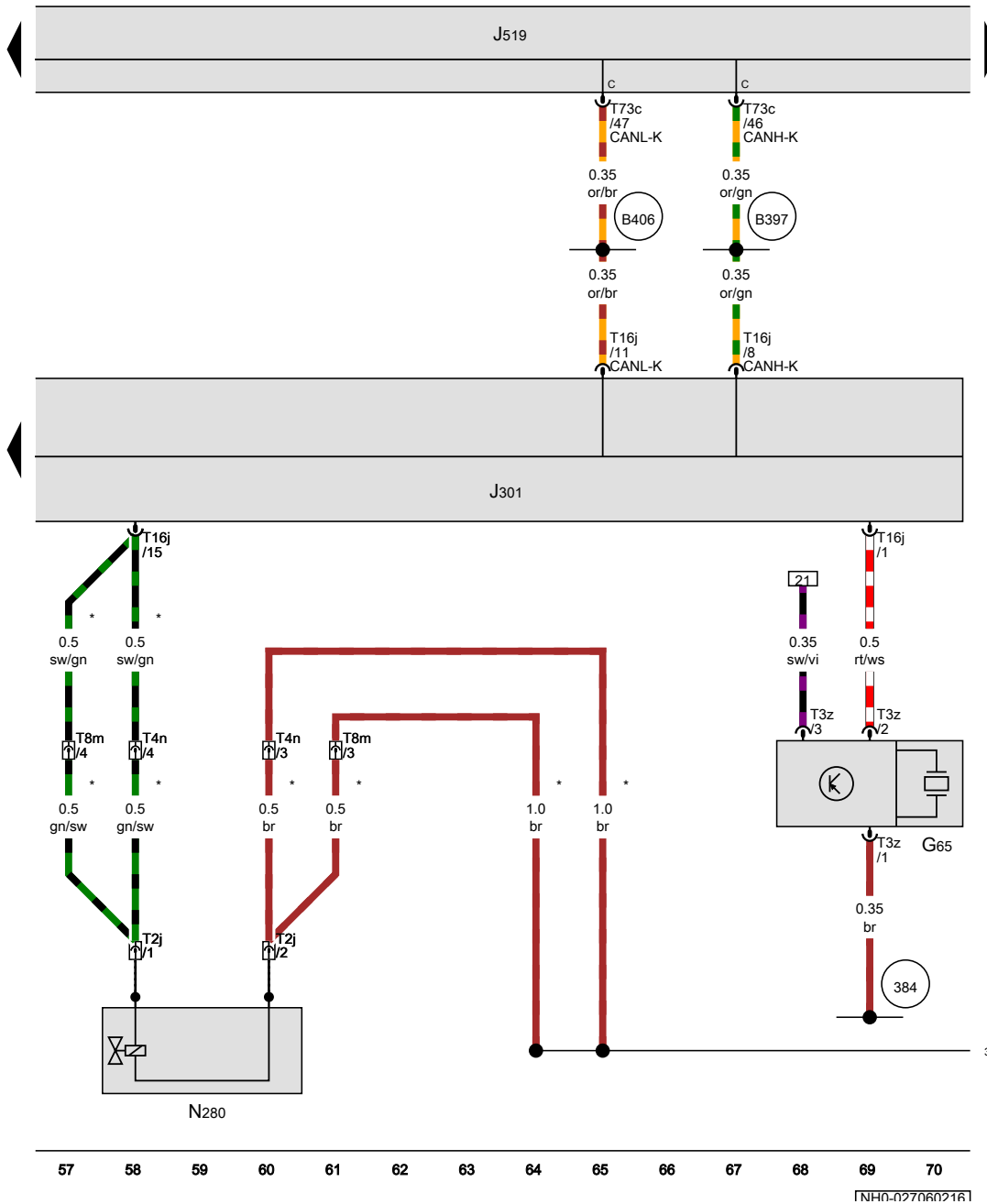
366 Earth connection 1, in main wiring harness

- * Only left-hand drive models
- *2 Only right-hand drive models

43 44 45 46 47 48 49 50 51 52 53 54 55 56

[NH0-027050216]

High-pressure sender, Air conditioning system control unit, Air conditioner compressor regulating valve



- G65 High-pressure sender
- J301 Air conditioning system control unit
- J519 Onboard supply control unit
- N280 Air conditioner compressor regulating valve
- T2j 2-pin connector
- T3z 3-pin connector
- T4n 4-pin connector, front left in engine compartment
- T8m 8-pin connector, front left in engine compartment
- T16j 16-pin connector
- T73c 73-pin connector, black
- 381 Earth connection 16, in main wiring harness
- 384 Earth connection 19, in main wiring harness
- B397 Connection 1 (convenience CAN bus, high), in main wiring harness
- B406 Connection 1 (convenience CAN bus, low), in main wiring harness
- * According to equipment

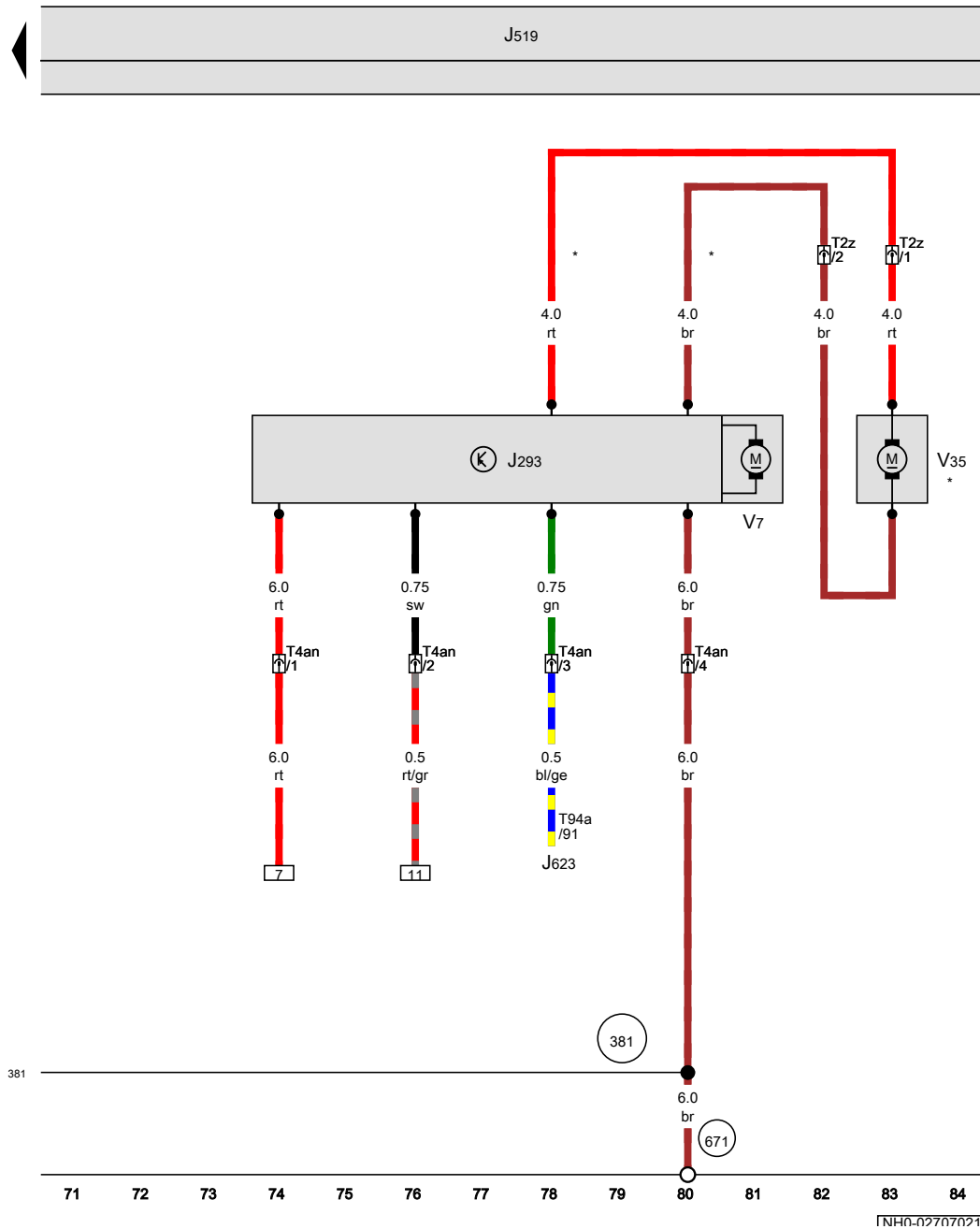
- ws = white
- sw = black
- ro = red
- rt = red
- br = brown
- gn = green
- bl = blue
- gr = grey
- li = purple
- vi = purple
- ge = yellow
- or = orange
- rs = pink

1NH0-027060216

Radiator fan control unit, Radiator fan, Right radiator fan

- J293 Radiator fan control unit
- J519 Onboard supply control unit
- J623 Engine control unit
- T2z 2-pin connector, on radiator fan
- T4an 4-pin connector
- T94a 94-pin connector
- V7 Radiator fan
- V35 Right radiator fan

- 381 Earth connection 16, in main wiring harness
- 671 Earth point 1, on front of left longitudinal member
- * Only models with two radiator fans



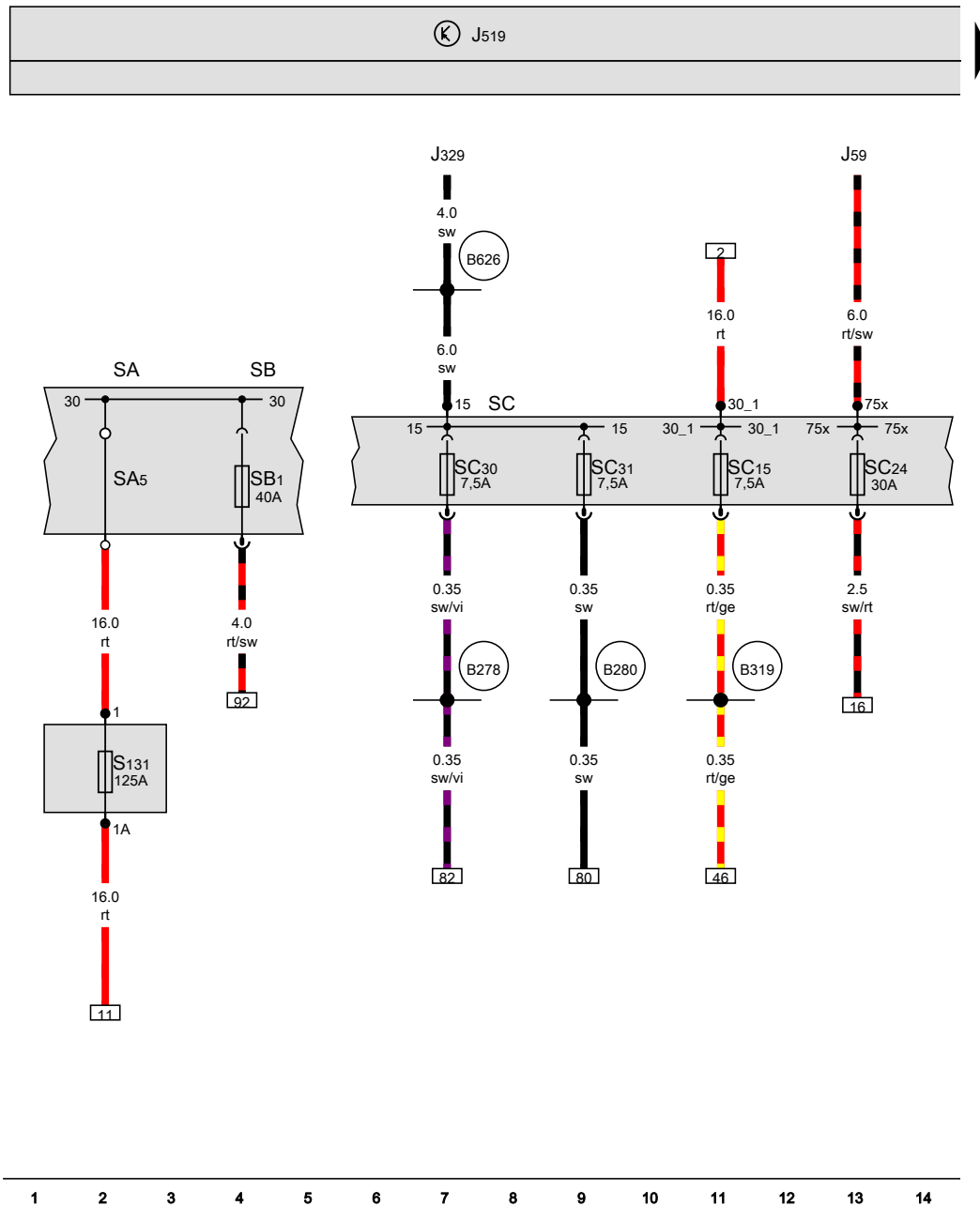
[NH0-027070216]

Climatronic , CJZC,CJZD
From May 2015

Fuse holder A, Fuse holder B, Fuse holder C

- J59 X-contact relief relay
- J329 Terminal 15 voltage supply relay
- J519 Onboard supply control unit
- SA Fuse holder A
- SB Fuse holder B
- SB1 Fuse 1 on fuse holder B
- SA5 Fuse 5 in fuse holder A
- S131 Fuse 1, in main wiring harness
- SC Fuse holder C
- SC15 Fuse 15 on fuse holder C
- SC24 Fuse 24 on fuse holder C
- SC30 Fuse 30 on fuse holder C
- SC31 Fuse 31 on fuse holder C

- (B278) Positive connection 2 (15a) in main wiring harness
- (B280) Positive connection 4 (15a) in main wiring harness
- (B319) Positive connection 5 (30a) in main wiring harness
- (B626) Positive connection 2 (15), in main wiring harness



- ws = white
- sw = black
- ro = red
- rt = red
- br = brown
- gn = green
- bl = blue
- gr = grey
- li = purple
- vi = purple
- ge = yellow
- or = orange
- rs = pink

[NH0-028020216]

Fresh air blower control unit, Climatronic control unit, Fresh air blower, Centre flap control motor

- E87 Operating and display unit for front air conditioning system
- G56 Dash panel temperature sensor
- G112 Potentiometer for centre flap control motor
- G267 Potentiometer for temperature selection rotary knob
- J126 Fresh air blower control unit
- J255 Climatronic control unit
- J519 Onboard supply control unit
- L76 Button illumination bulb
- T6t 6-pin connector
- T6u 6-pin connector
- T16d 16-pin connector
- T20a 20-pin connector
- V2 Fresh air blower
- V42 Temperature sensor blower
- V70 Centre flap control motor

244 Earth connection (sender earth), in Climatronic wiring harness

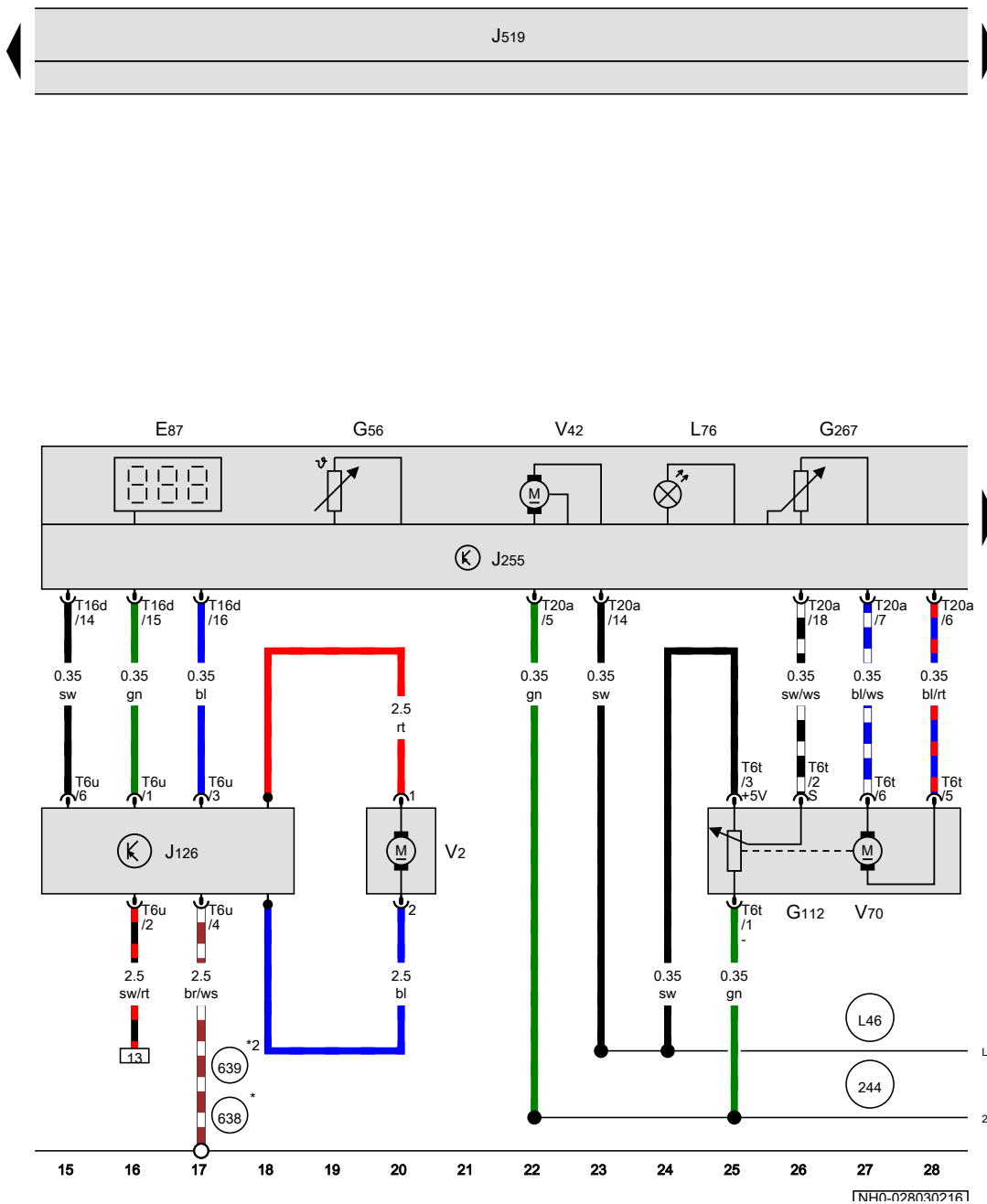
638 Earth point, on right A-pillar

639 Earth point, left A-pillar

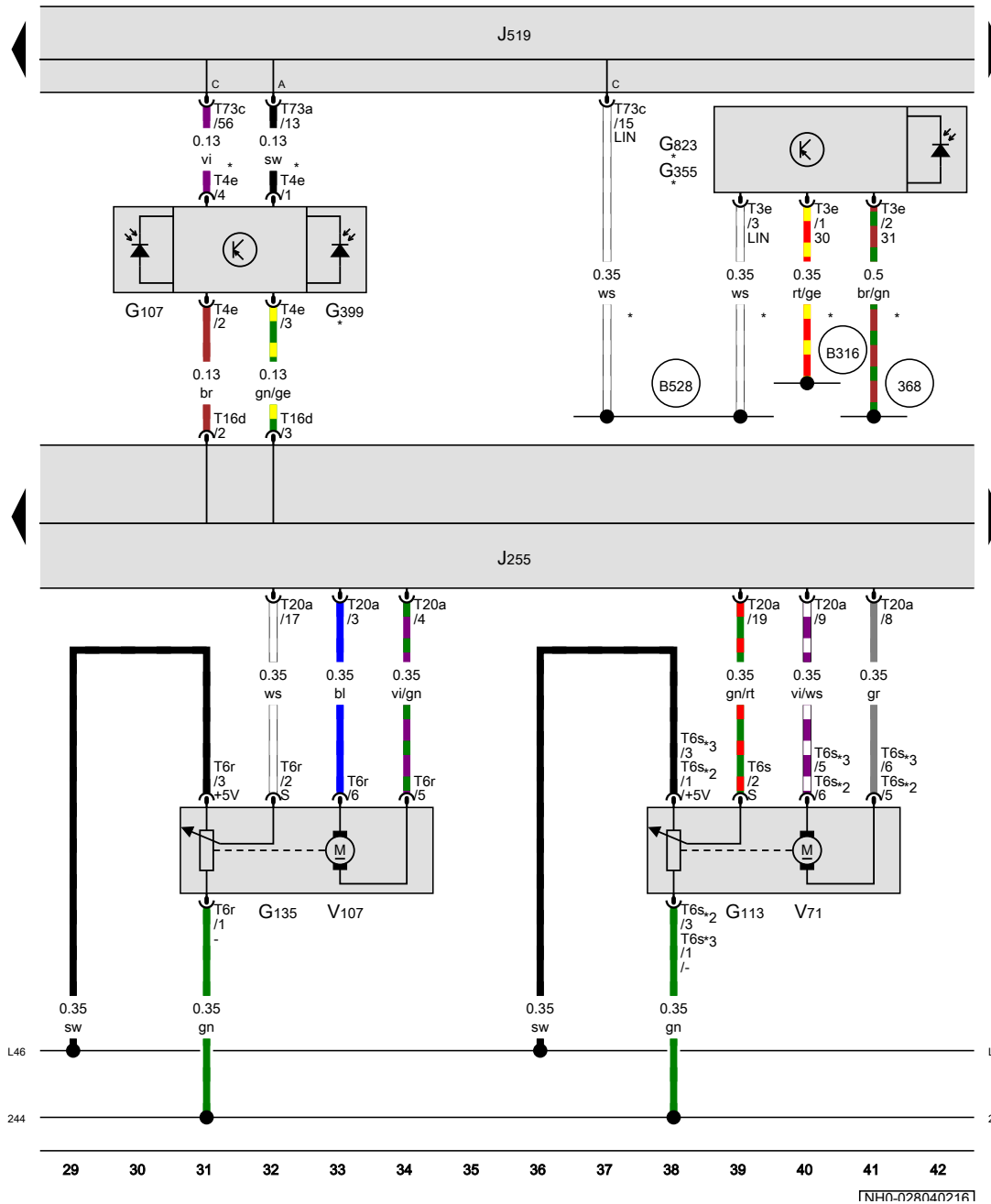
L46 Connection (5 Volt), in Climatronic operating unit wiring harness

* Only left-hand drive models

*2 Only right-hand drive models



[NH0-02R030216]



Sunlight penetration photosensor, Humidity sender, Light sensor, Air humidity, rain and light sensor, Climatronic control unit, Air flow flap control motor, Defroster flap control motor

- G107 Sunlight penetration photosensor
- G113 Potentiometer for air flow flap control motor
- G135 Potentiometer for defroster flap control motor
- G355 Humidity sender
- G399 Light sensor
- G823 Air humidity, rain and light sensor
- J255 Climatronic control unit
- J519 Onboard supply control unit
- T3e 3-pin connector
- T4e 4-pin connector
- T6r 6-pin connector
- T6s 6-pin connector
- T16d 16-pin connector
- T20a 20-pin connector
- T73a 73-pin connector, black
- T73c 73-pin connector, black
- V71 Air flow flap control motor
- V107 Defroster flap control motor

- (244) Earth connection (sender earth), in Climatronic wiring harness
- (368) Earth connection 3, in main wiring harness
- (B316) Positive connection 2 (30a) in main wiring harness
- (B528) Connection 1 (LIN bus) in main wiring harness
- (L46) Connection (5 Volt), in Climatronic operating unit wiring harness

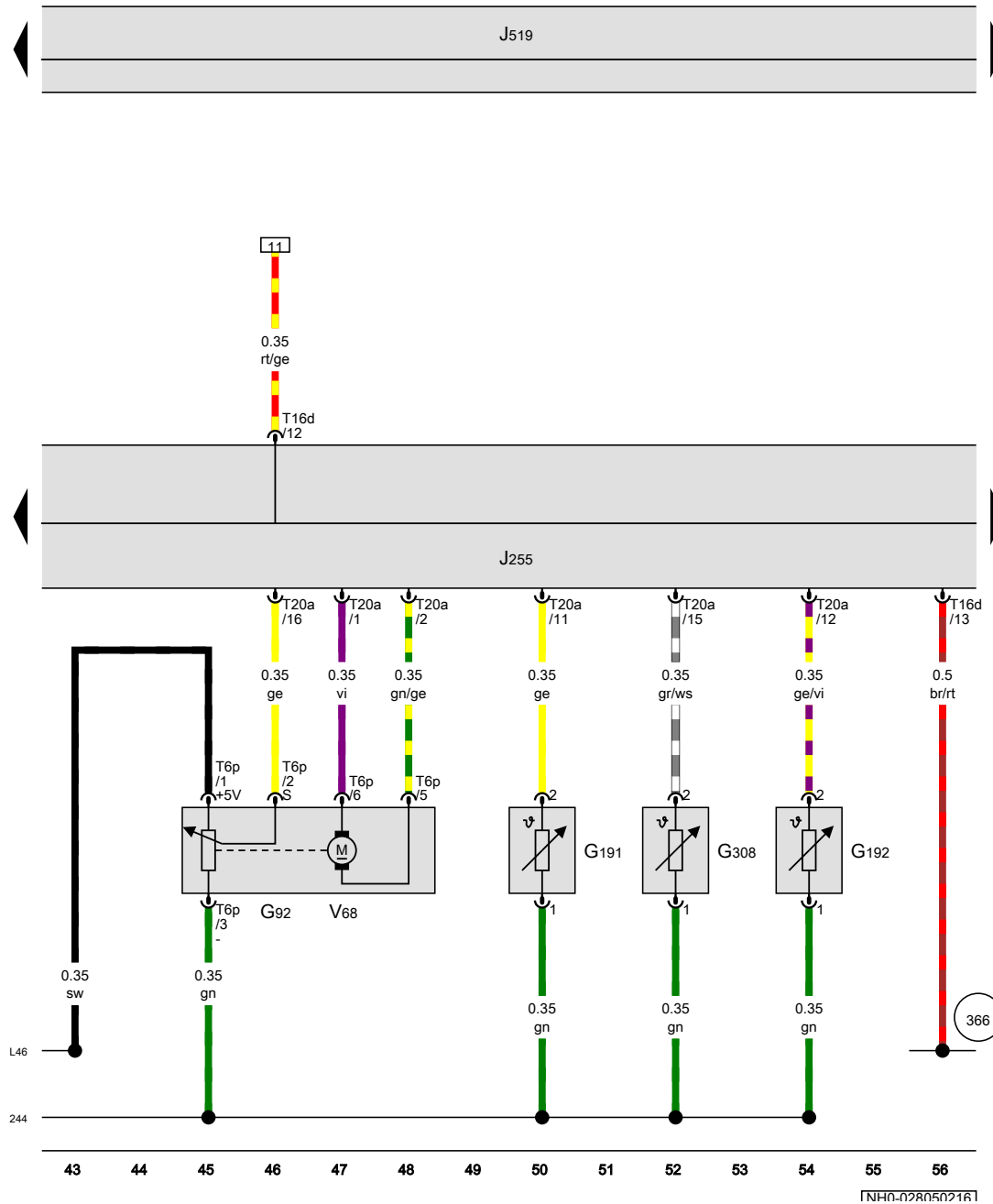
- * According to equipment
- *2 Only left-hand drive models
- *3 Only right-hand drive models

- ws = white
- sw = black
- ro = red
- rt = red
- br = brown
- gn = green
- bl = blue
- gr = grey
- li = purple
- vi = purple
- ge = yellow
- or = orange
- rs = pink

Centre vent temperature sender, Footwell vent temperature sender, Evaporator temperature sensor, Climatronic control unit, Temperature flap control motor

- G92 Potentiometer for temperature flap control motor
- G191 Centre vent temperature sender
- G192 Footwell vent temperature sender
- G308 Evaporator temperature sensor
- J255 Climatronic control unit
- J519 Onboard supply control unit
- T6p 6-pin connector
- T16d 16-pin connector
- T20a 20-pin connector
- V68 Temperature flap control motor

- 244 Earth connection (sender earth), in Climatronic wiring harness
- 366 Earth connection 1, in main wiring harness
- L46 Connection (5 Volt), in Climatronic operating unit wiring harness



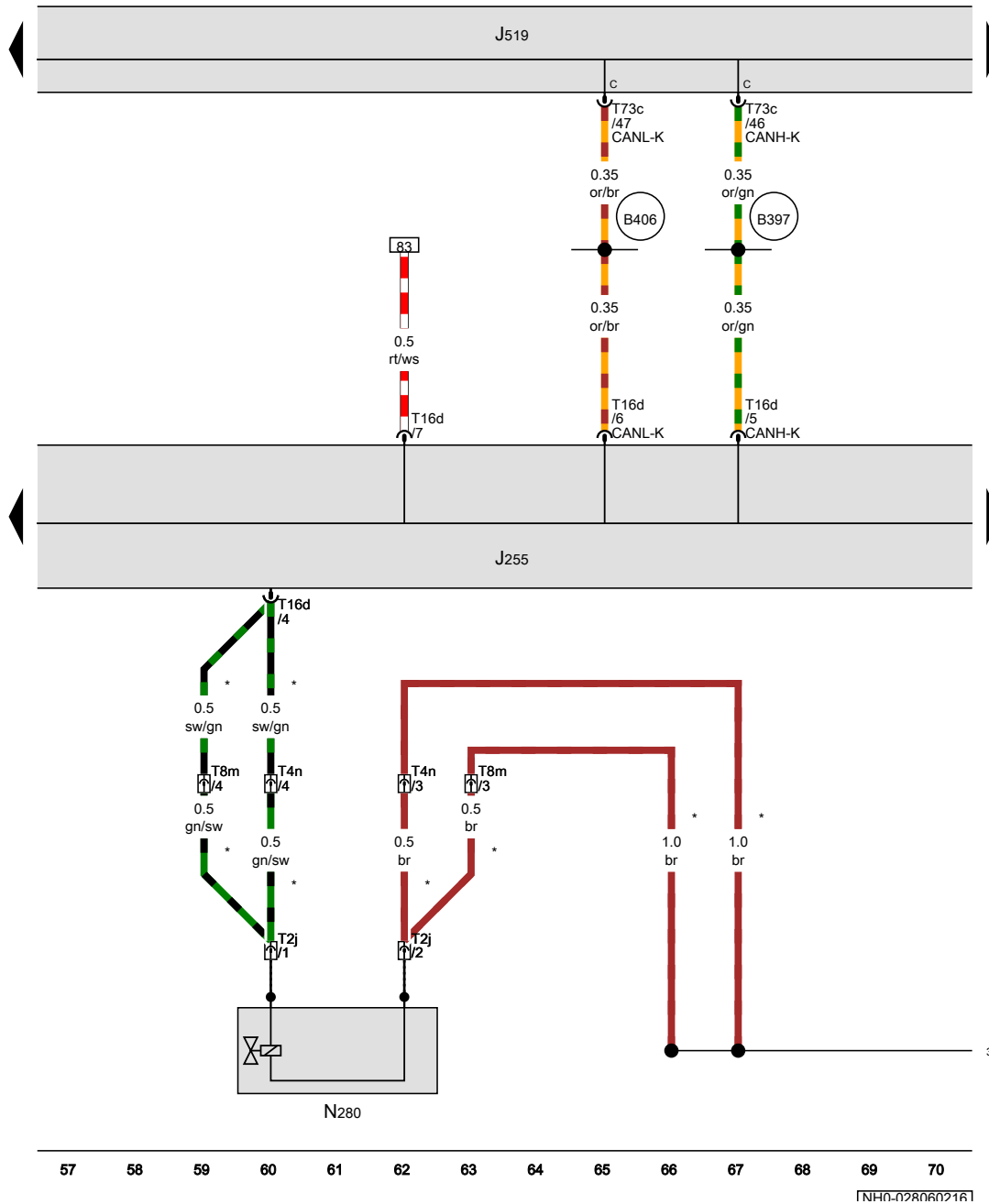
- ws = white
- sw = black
- ro = red
- rt = red
- br = brown
- gn = green
- bl = blue
- gr = grey
- li = purple
- vi = purple
- ge = yellow
- or = orange
- rs = pink

[NH0-028050216]

Climatronic control unit, Air conditioner compressor regulating valve

- J255 Climatronic control unit
- J519 Onboard supply control unit
- N280 Air conditioner compressor regulating valve
- T2j 2-pin connector
- T4n 4-pin connector, front left in engine compartment
- T8m 8-pin connector, front left in engine compartment
- T16d 16-pin connector
- T73c 73-pin connector, black

- 381 Earth connection 16, in main wiring harness
- B397 Connection 1 (convenience CAN bus, high), in main wiring harness
- B406 Connection 1 (convenience CAN bus, low), in main wiring harness
- * According to equipment

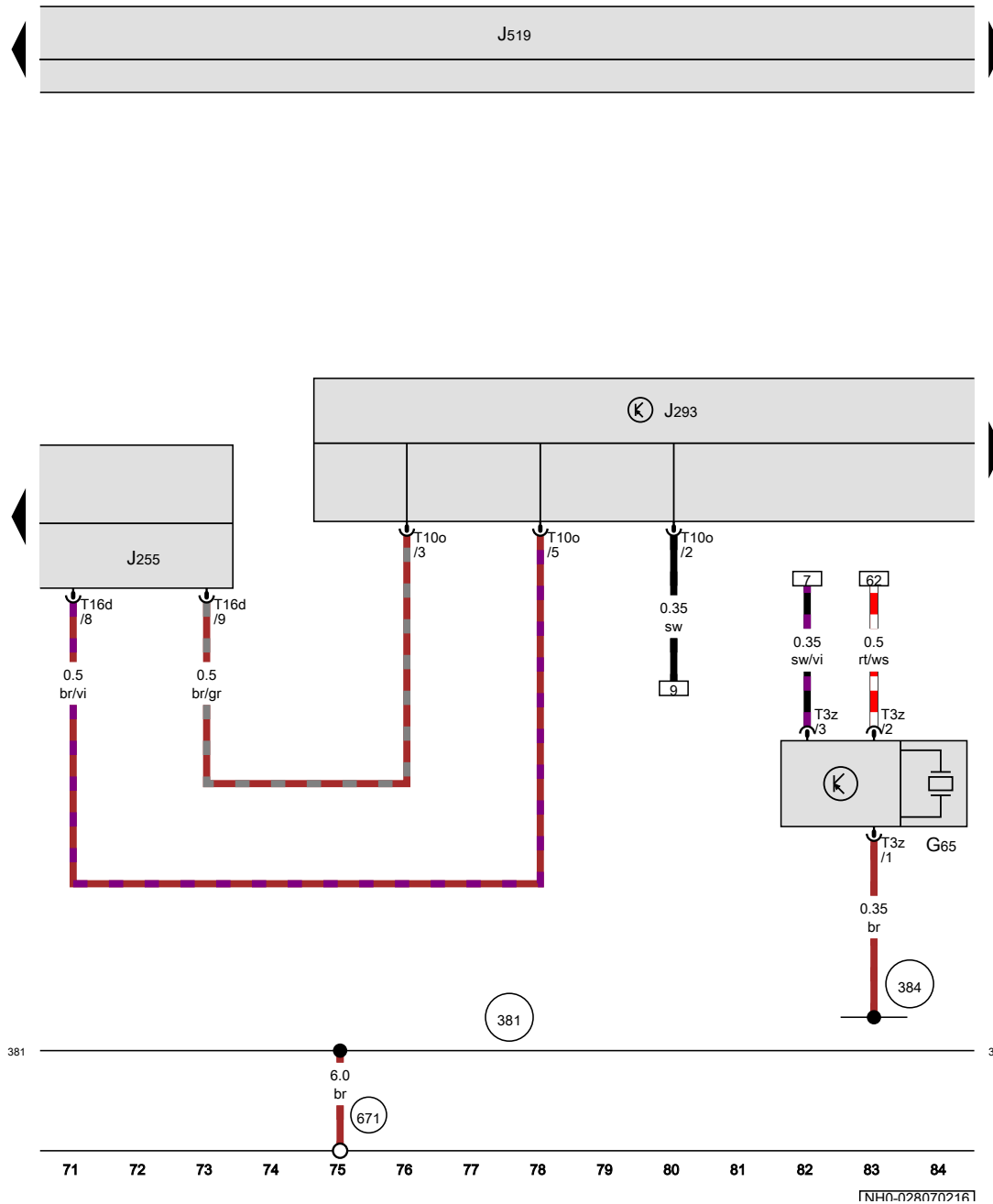


[NH0-028060216]

High-pressure sender, Climatronic control unit, Radiator fan control unit

- G65 High-pressure sender
- J255 Climatronic control unit
- J293 Radiator fan control unit
- J519 Onboard supply control unit
- T3z 3-pin connector
- T10o 10-pin connector
- T16d 16-pin connector

- 381 Earth connection 16, in main wiring harness
- 384 Earth connection 19, in main wiring harness
- 671 Earth point 1, on front of left longitudinal member



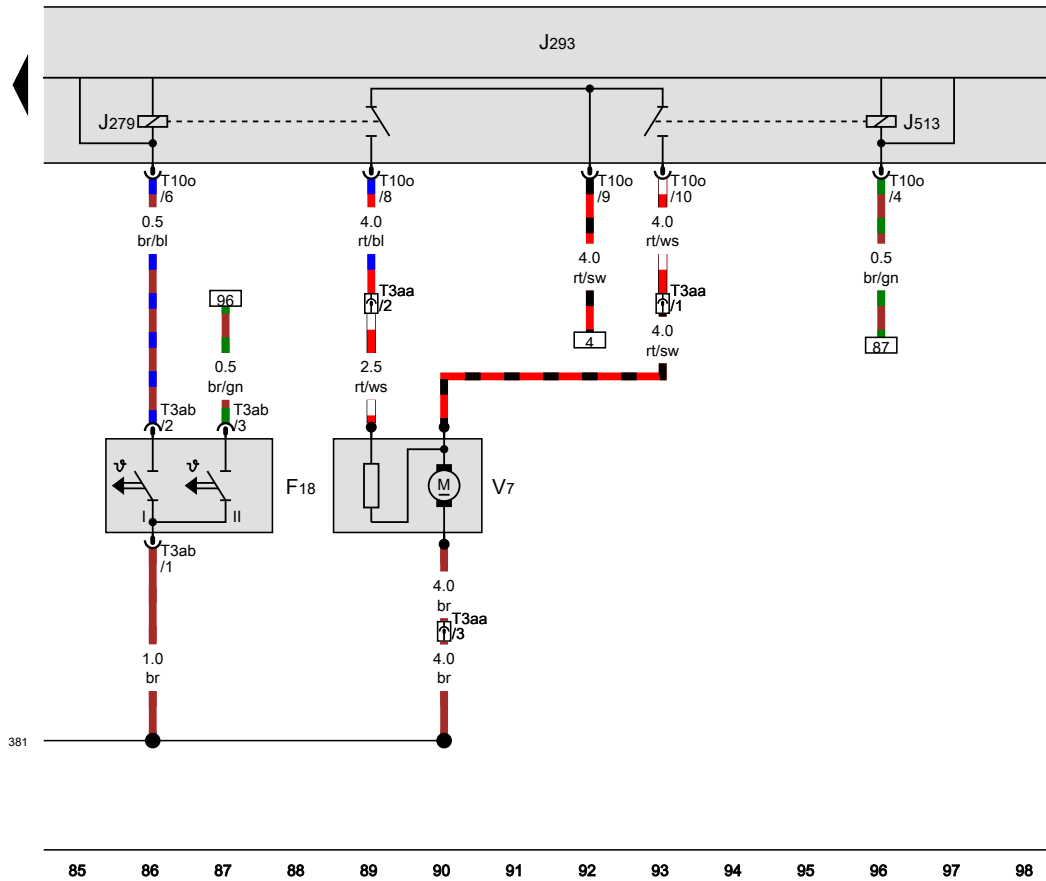
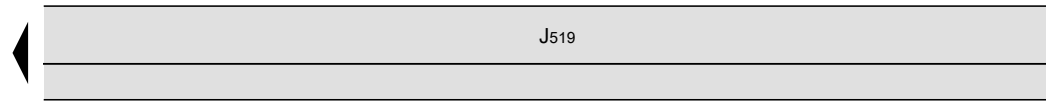
- ws = white
- sw = black
- ro = red
- rt = red
- br = brown
- gn = green
- bl = blue
- gr = grey
- li = purple
- vi = purple
- ge = yellow
- or = orange
- rs = pink

[NH0-028070216]

Radiator fan thermal switch, Radiator fan control unit, Radiator fan

- F18 Radiator fan thermal switch
- J279 Radiator fan V7 and V35 relay - 1st speed
- J293 Radiator fan control unit
- J513 Radiator fan V7 and V35 relay, 2nd speed
- J519 Onboard supply control unit
- T3aa 3-pin connector, on radiator fan
- T3ab 3-pin connector
- T10o 10-pin connector
- V7 Radiator fan

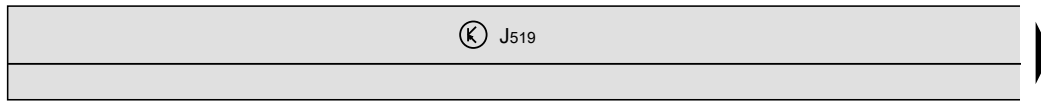
381 Earth connection 16, in main wiring harness



- ws = white
- sw = black
- ro = red
- rt = red
- br = brown
- gn = green
- bl = blue
- gr = grey
- li = purple
- vi = purple
- ge = yellow
- or = orange
- rs = pink

[NH0-028080216]

Climatronic , CZCA
From May 2015

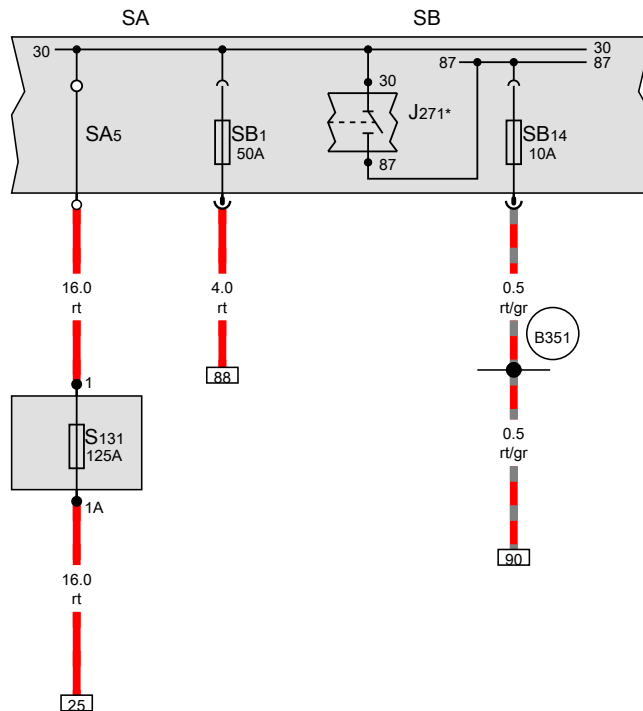


Fuse holder A, Fuse holder B

- J271 Main relay
- J519 Onboard supply control unit
- SA Fuse holder A
- SB1 Fuse 1 on fuse holder B
- SA5 Fuse 5 in fuse holder A
- S131 Fuse 1, in main wiring harness
- SB Fuse holder B
- SB14 Fuse 14 on fuse holder B

B351 Positive connection 2 (87a) in main wiring harness

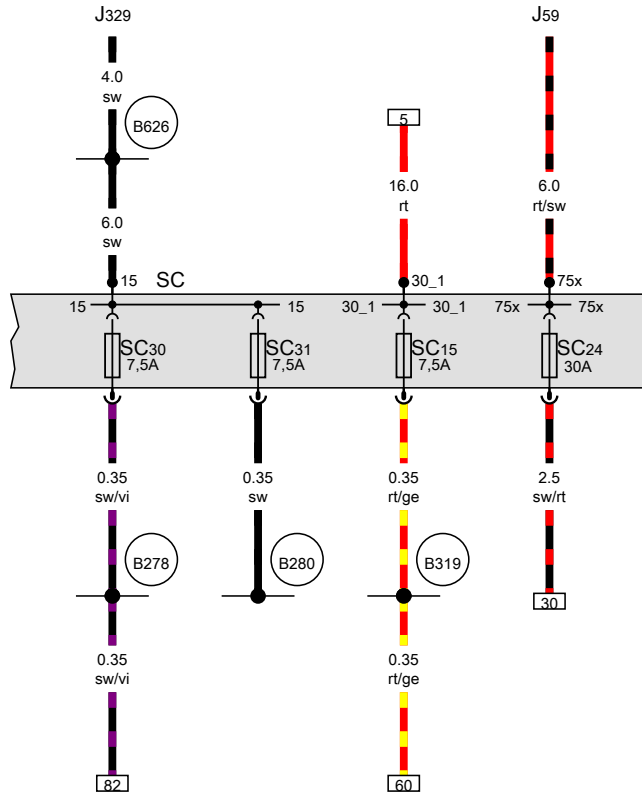
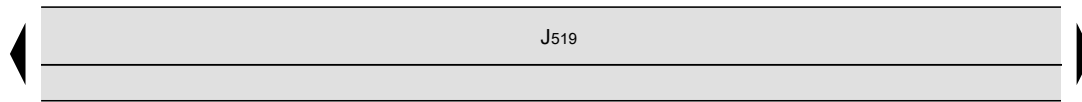
* see applicable current flow diagram for engine



- ws = white
- sw = black
- ro = red
- rt = red
- br = brown
- gn = green
- bl = blue
- gr = grey
- li = purple
- vi = purple
- ge = yellow
- or = orange
- rs = pink

1 2 3 4 5 6 7 8 9 10 11 12 13 14

[NH0-029020216]



Fuse holder C

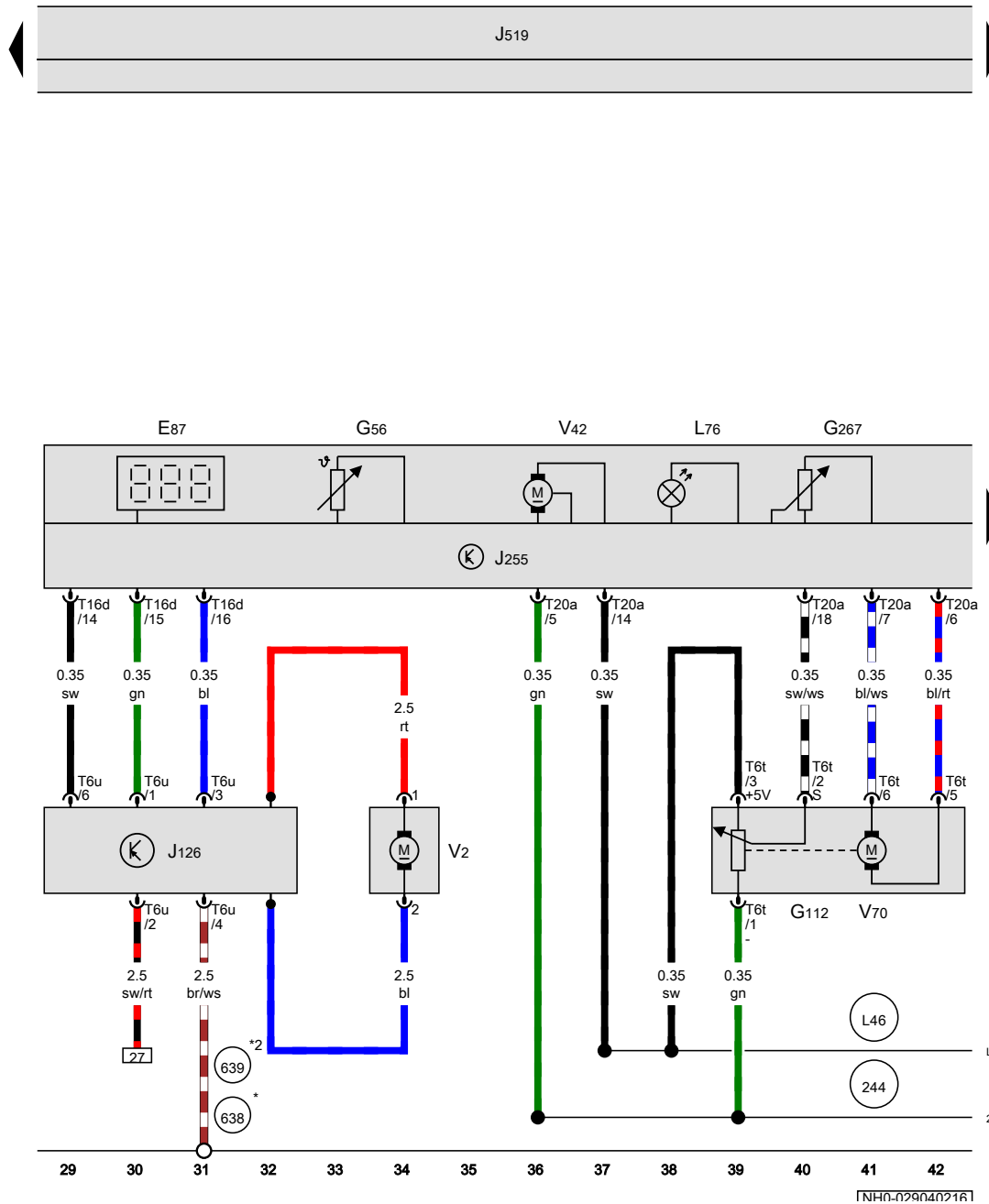
- J59 X-contact relief relay
- J329 Terminal 15 voltage supply relay
- J519 Onboard supply control unit
- SC Fuse holder C
- SC15 Fuse 15 on fuse holder C
- SC24 Fuse 24 on fuse holder C
- SC30 Fuse 30 on fuse holder C
- SC31 Fuse 31 on fuse holder C

- B278 Positive connection 2 (15a) in main wiring harness
- B280 Positive connection 4 (15a) in main wiring harness
- B319 Positive connection 5 (30a) in main wiring harness
- B626 Positive connection 2 (15), in main wiring harness

- ws = white
- sw = black
- ro = red
- rt = red
- br = brown
- gn = green
- bl = blue
- gr = grey
- li = purple
- vi = purple
- ge = yellow
- or = orange
- rs = pink

15 16 17 18 19 20 21 22 23 24 25 26 27 28

[NH0-029030216]



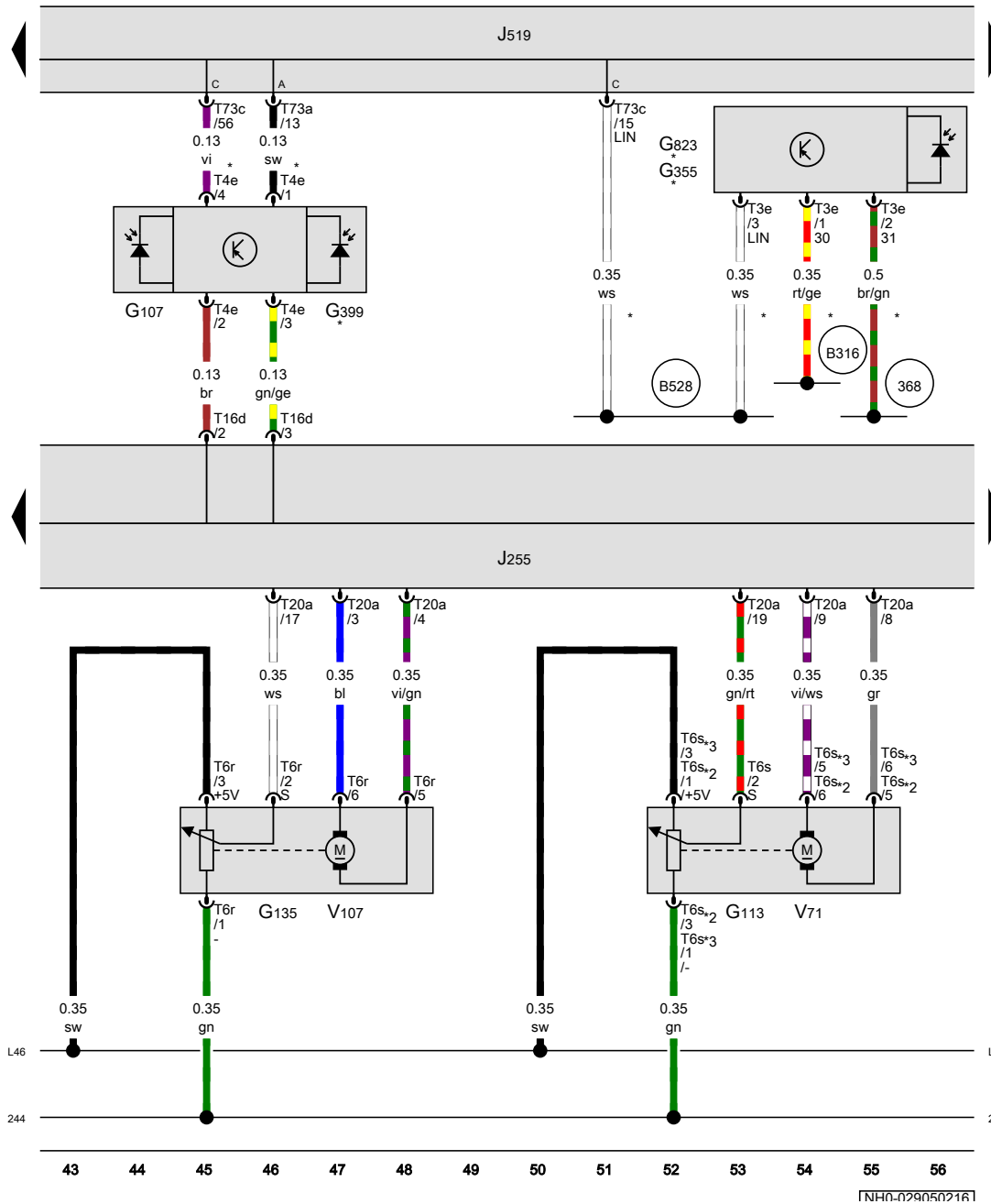
Fresh air blower control unit, Climatronic control unit, Fresh air blower, Centre flap control motor

- E87 Operating and display unit for front air conditioning system
- G56 Dash panel temperature sensor
- G112 Potentiometer for centre flap control motor
- G267 Potentiometer for temperature selection rotary knob
- J126 Fresh air blower control unit
- J255 Climatronic control unit
- J519 Onboard supply control unit
- L76 Button illumination bulb
- T6t 6-pin connector
- T6u 6-pin connector
- T16d 16-pin connector
- T20a 20-pin connector
- V2 Fresh air blower
- V42 Temperature sensor blower
- V70 Centre flap control motor

- 244 Earth connection (sender earth), in Climatronic wiring harness
- 638 Earth point, on right A-pillar
- 639 Earth point, left A-pillar
- L46 Connection (5 Volt), in Climatronic operating unit wiring harness
- * Only left-hand drive models
- *2 Only right-hand drive models

- ws = white
- sw = black
- ro = red
- rt = red
- br = brown
- gn = green
- bl = blue
- gr = grey
- li = purple
- vi = purple
- ge = yellow
- or = orange
- rs = pink

Sunlight penetration photosensor, Humidity sender, Light sensor, Air humidity, rain and light sensor, Climatronic control unit, Air flow flap control motor, Defroster flap control motor



- G107 Sunlight penetration photosensor
- G113 Potentiometer for air flow flap control motor
- G135 Potentiometer for defroster flap control motor
- G355 Humidity sender
- G399 Light sensor
- G823 Air humidity, rain and light sensor
- J255 Climatronic control unit
- J519 Onboard supply control unit
- T3e 3-pin connector
- T4e 4-pin connector
- T6r 6-pin connector
- T6s 6-pin connector
- T16d 16-pin connector
- T20a 20-pin connector
- T73a 73-pin connector, black
- T73c 73-pin connector, black
- V71 Air flow flap control motor
- V107 Defroster flap control motor

- (244) Earth connection (sender earth), in Climatronic wiring harness
- (368) Earth connection 3, in main wiring harness
- (B316) Positive connection 2 (30a) in main wiring harness
- (B528) Connection 1 (LIN bus) in main wiring harness
- (L46) Connection (5 Volt), in Climatronic operating unit wiring harness
- * According to equipment
- *2 Only left-hand drive models
- *3 Only right-hand drive models

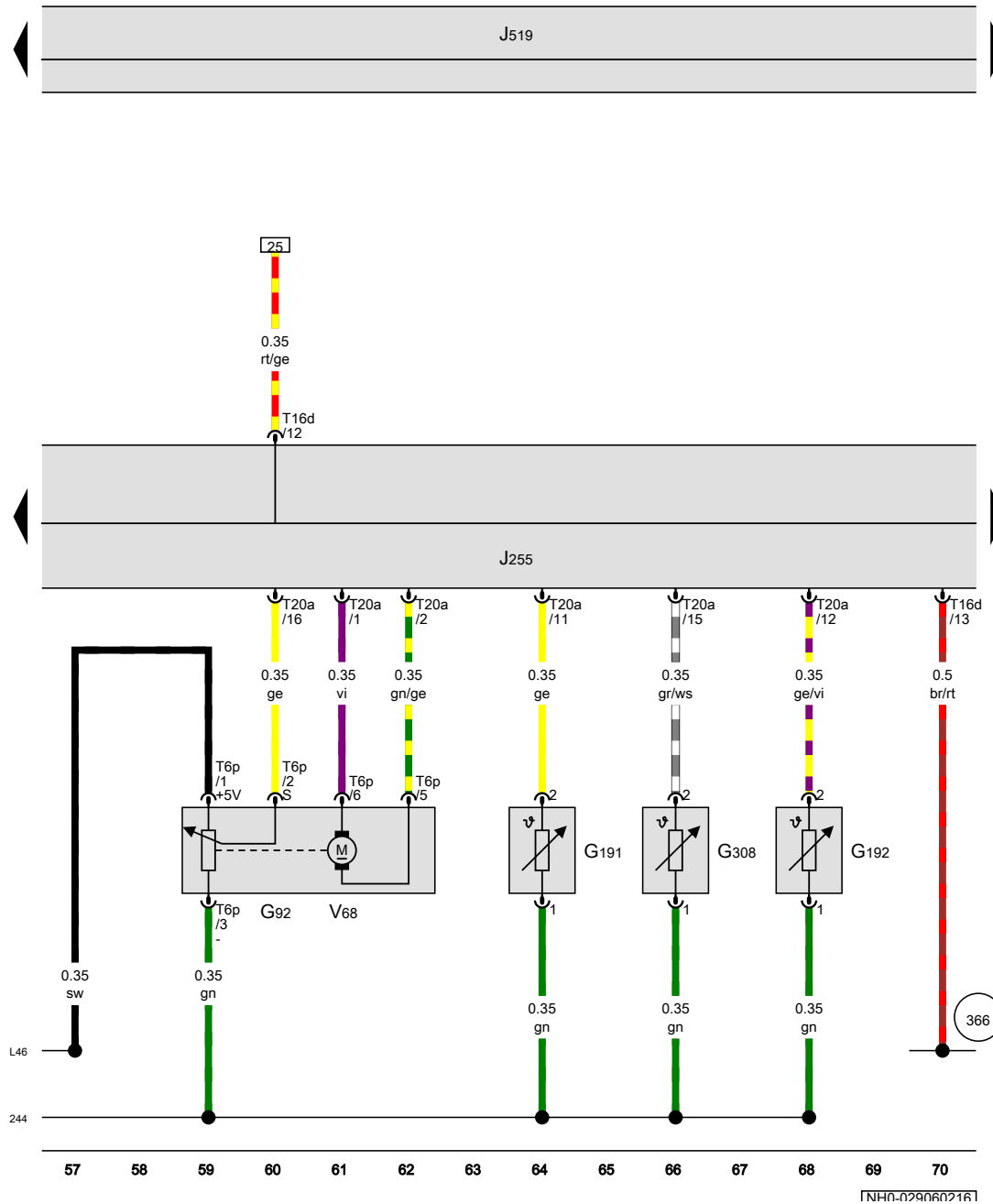
- ws = white
- sw = black
- ro = red
- rt = red
- br = brown
- gn = green
- bl = blue
- gr = grey
- li = purple
- vi = purple
- ge = yellow
- or = orange
- rs = pink

[NH0-029050216]

Centre vent temperature sender, Footwell vent temperature sender, Evaporator temperature sensor, Climatronic control unit, Temperature flap control motor

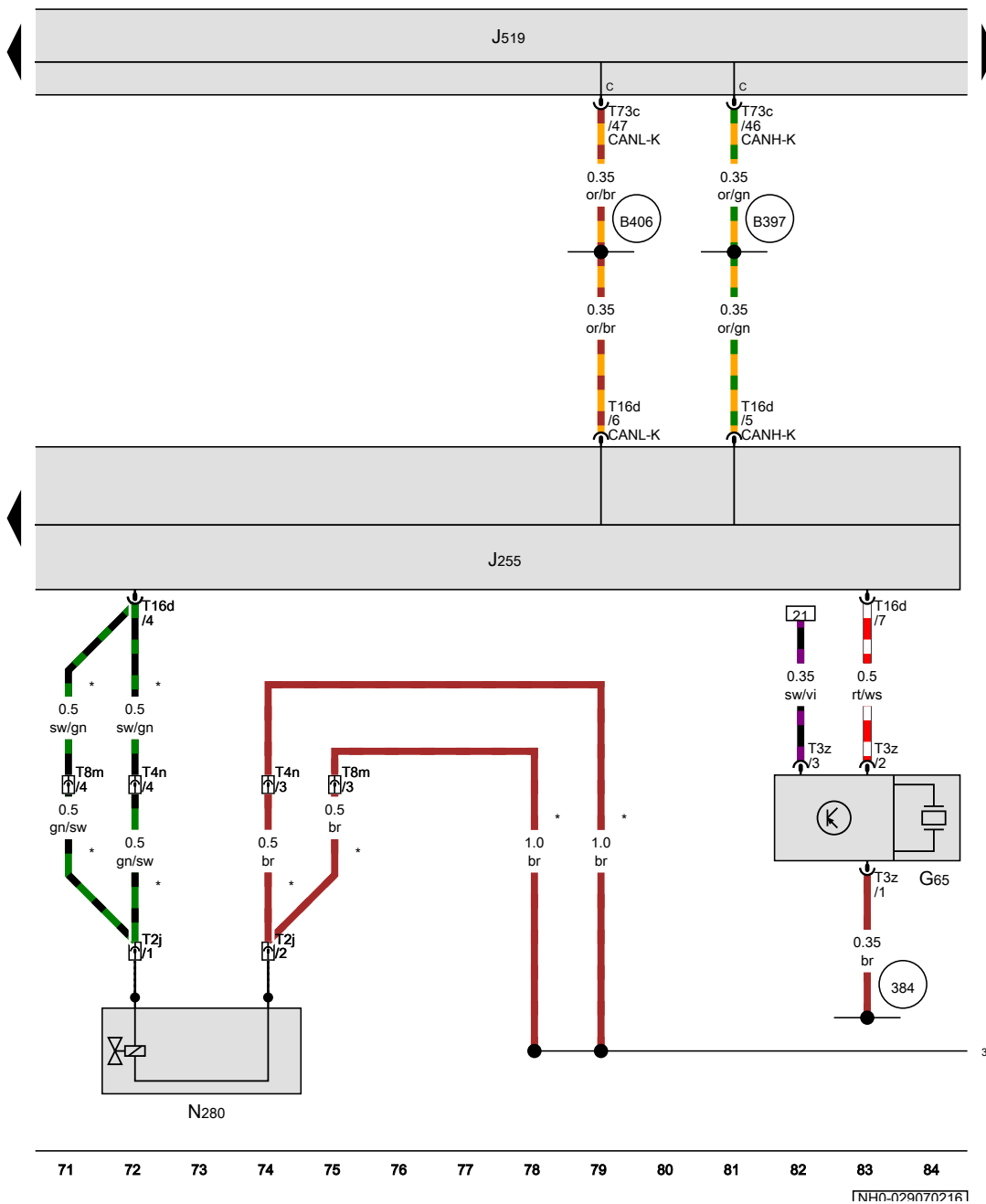
- G92 Potentiometer for temperature flap control motor
- G191 Centre vent temperature sender
- G192 Footwell vent temperature sender
- G308 Evaporator temperature sensor
- J255 Climatronic control unit
- J519 Onboard supply control unit
- T6p 6-pin connector
- T16d 16-pin connector
- T20a 20-pin connector
- V68 Temperature flap control motor

- 244 Earth connection (sender earth), in Climatronic wiring harness
- 366 Earth connection 1, in main wiring harness
- L46 Connection (5 Volt), in Climatronic operating unit wiring harness



- ws = white
- sw = black
- ro = red
- rt = red
- br = brown
- gn = green
- bl = blue
- gr = grey
- li = purple
- vi = purple
- ge = yellow
- or = orange
- rs = pink

1NHN-029060216



High-pressure sender, Climatronic control unit, Air conditioner compressor regulating valve

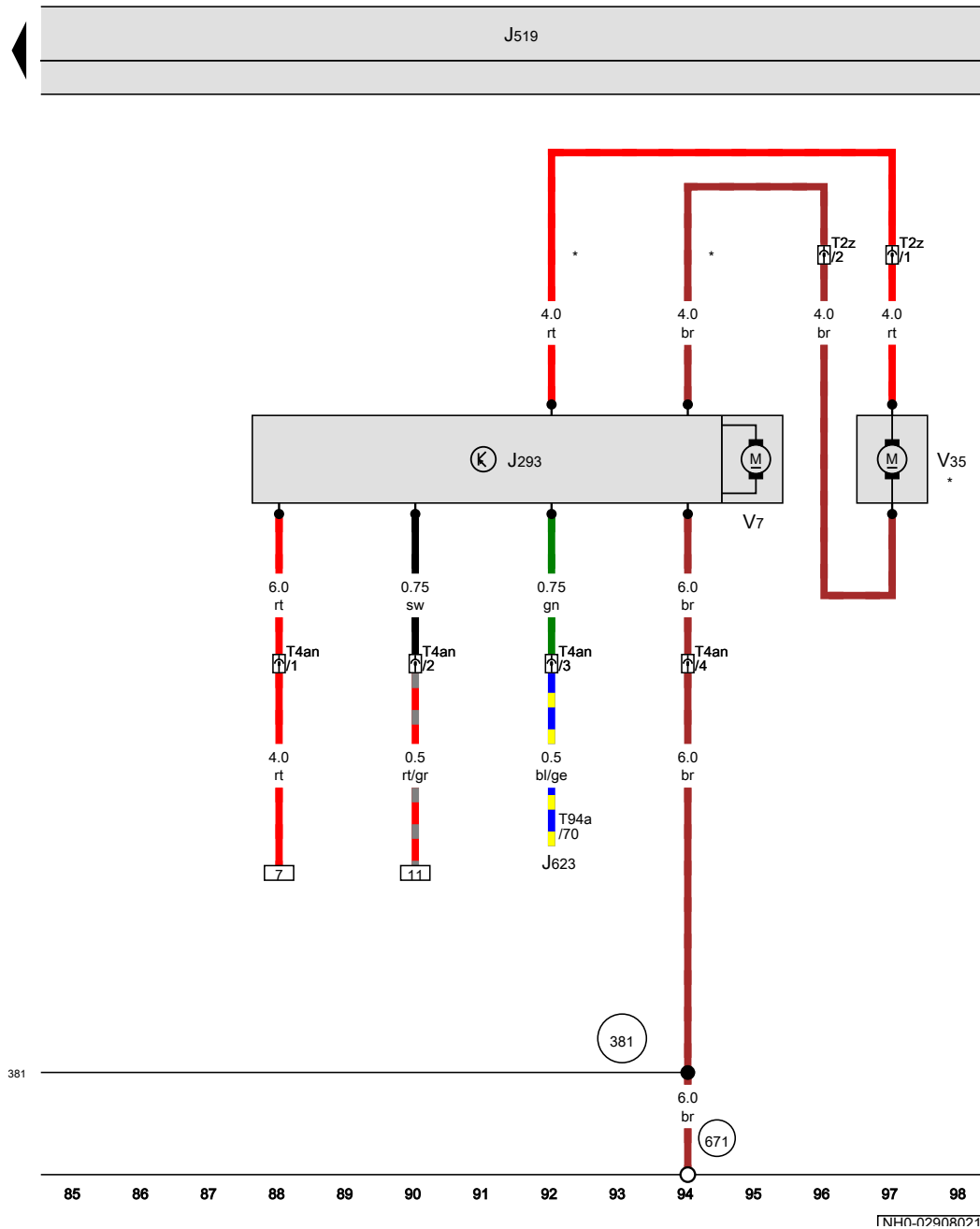
- G65 High-pressure sender
- J255 Climatronic control unit
- J519 Onboard supply control unit
- N280 Air conditioner compressor regulating valve
- T2j 2-pin connector
- T3z 3-pin connector
- T4n 4-pin connector, front left in engine compartment
- T8m 8-pin connector, front left in engine compartment
- T16d 16-pin connector
- T73c 73-pin connector, black

- 381 Earth connection 16, in main wiring harness
- 384 Earth connection 19, in main wiring harness
- B397 Connection 1 (convenience CAN bus, high), in main wiring harness
- B406 Connection 1 (convenience CAN bus, low), in main wiring harness
- * According to equipment

Radiator fan control unit, Radiator fan, Right radiator fan

- J293 Radiator fan control unit
- J519 Onboard supply control unit
- J623 Engine control unit
- T2z 2-pin connector, on radiator fan
- T4an 4-pin connector
- T94a 94-pin connector
- V7 Radiator fan
- V35 Right radiator fan

- 381 Earth connection 16, in main wiring harness
- 671 Earth point 1, on front of left longitudinal member
- * Only models with two radiator fans



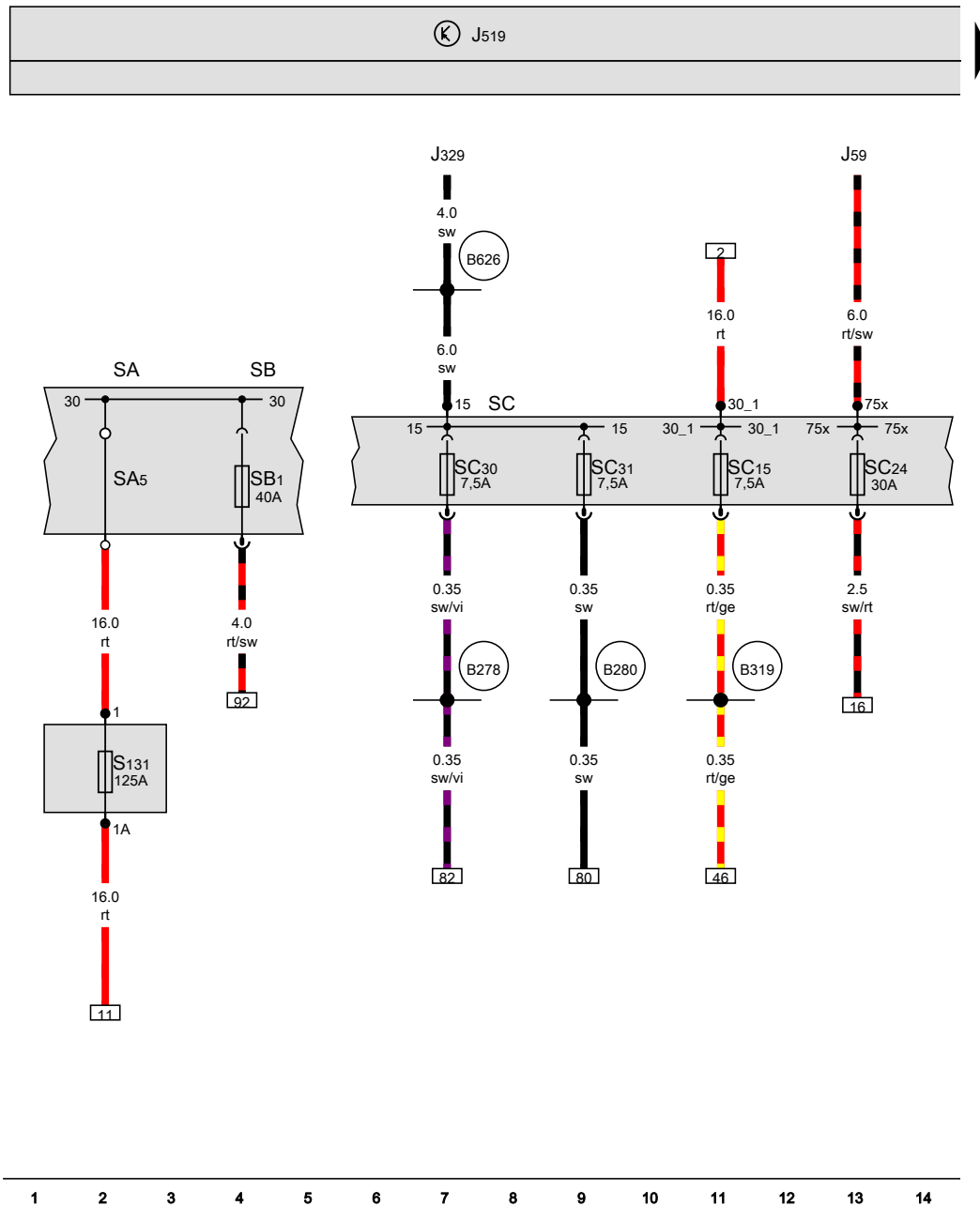
- ws = white
- sw = black
- ro = red
- rt = red
- br = brown
- gn = green
- bl = blue
- gr = grey
- li = purple
- vi = purple
- ge = yellow
- or = orange
- rs = pink

Climatronic , CWVB,CWVA
From May 2015

Fuse holder A, Fuse holder B, Fuse holder C

- J59 X-contact relief relay
- J329 Terminal 15 voltage supply relay
- J519 Onboard supply control unit
- SA Fuse holder A
- SB Fuse holder B
- SB1 Fuse 1 on fuse holder B
- SA5 Fuse 5 in fuse holder A
- S131 Fuse 1, in main wiring harness
- SC Fuse holder C
- SC15 Fuse 15 on fuse holder C
- SC24 Fuse 24 on fuse holder C
- SC30 Fuse 30 on fuse holder C
- SC31 Fuse 31 on fuse holder C

- (B278) Positive connection 2 (15a) in main wiring harness
- (B280) Positive connection 4 (15a) in main wiring harness
- (B319) Positive connection 5 (30a) in main wiring harness
- (B626) Positive connection 2 (15), in main wiring harness

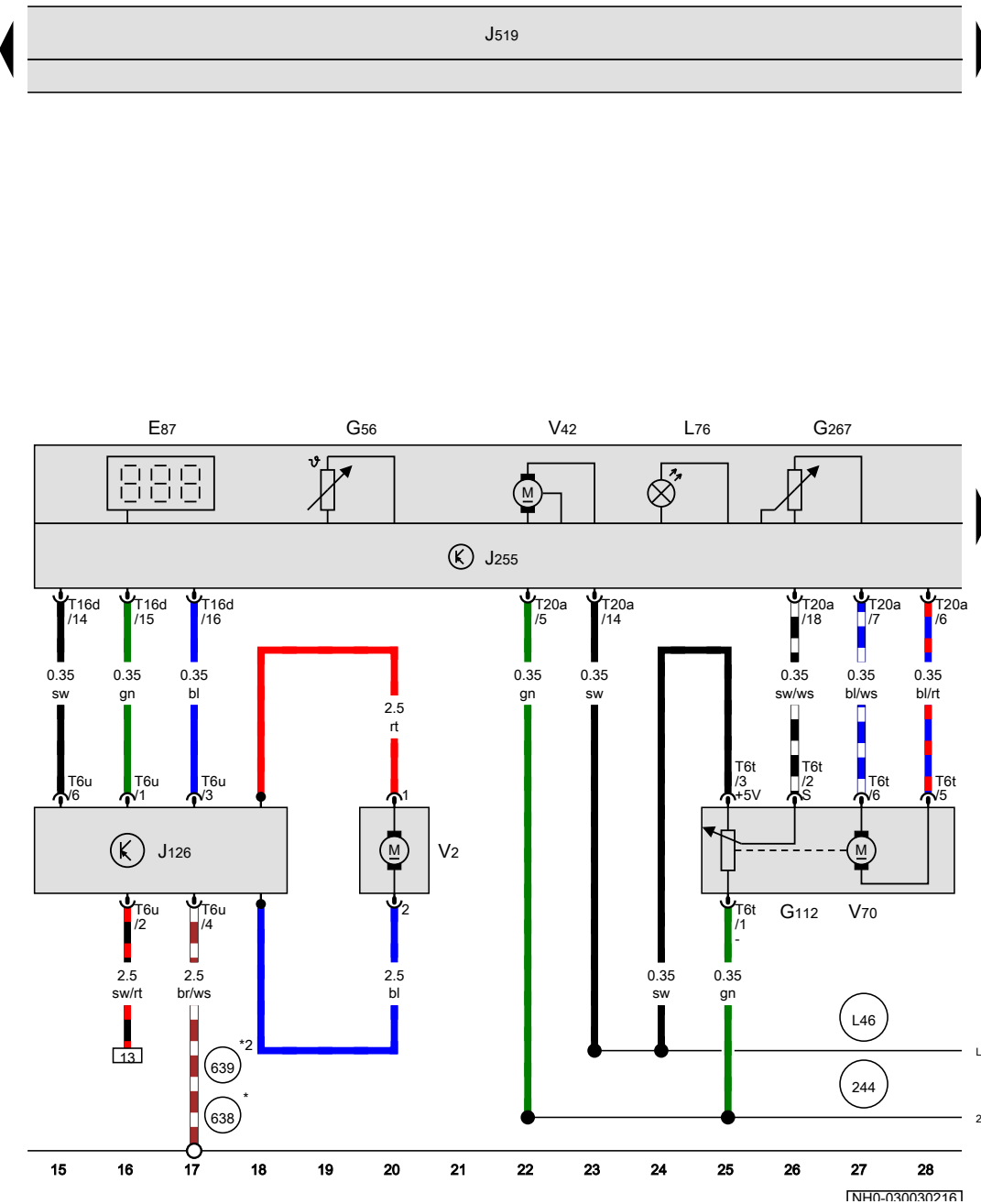


- ws = white
- sw = black
- ro = red
- rt = red
- br = brown
- gn = green
- bl = blue
- gr = grey
- li = purple
- vi = purple
- ge = yellow
- or = orange
- rs = pink

Fresh air blower control unit, Climatronic control unit, Fresh air blower, Centre flap control motor

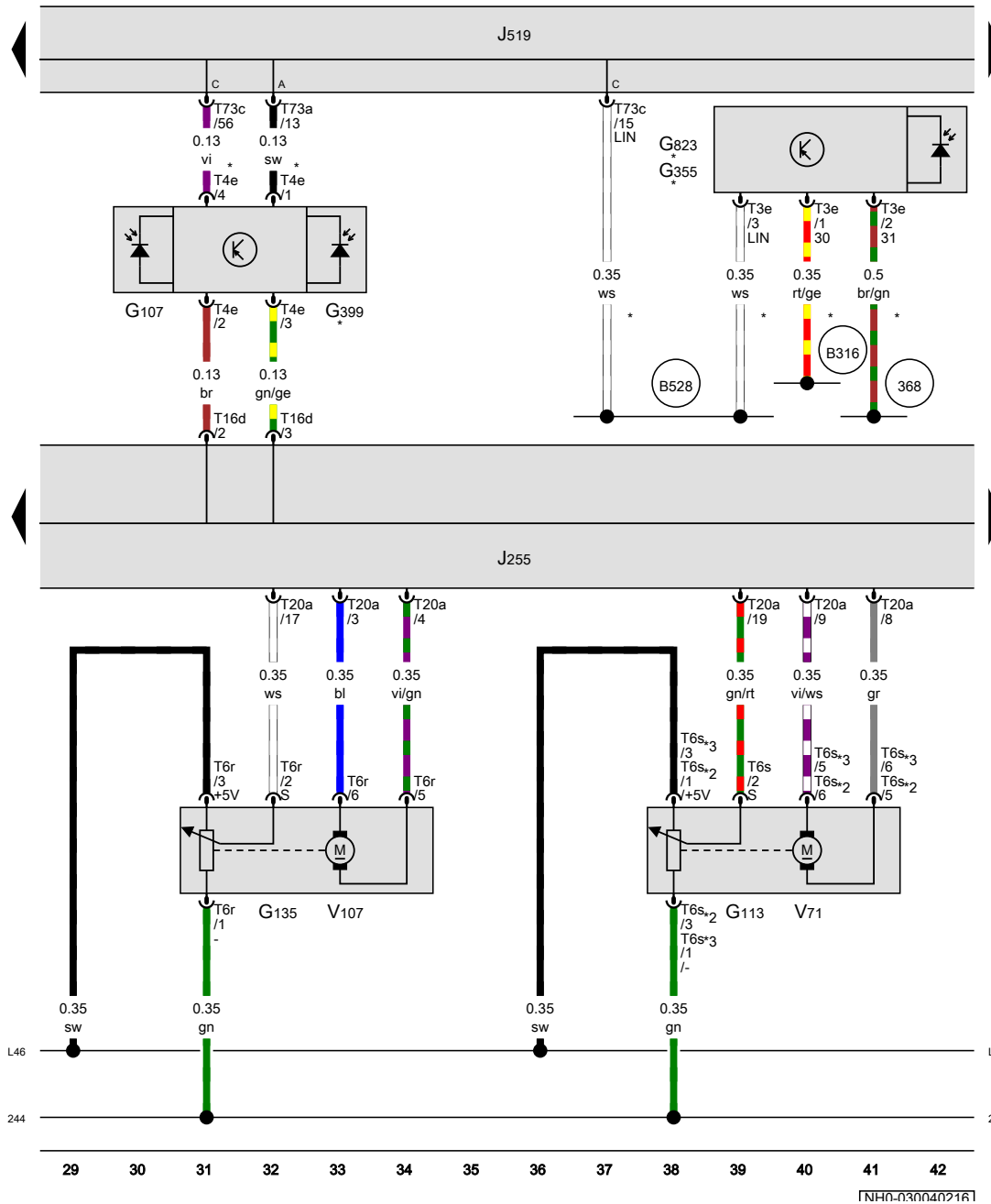
- E87 Operating and display unit for front air conditioning system
- G56 Dash panel temperature sensor
- G112 Potentiometer for centre flap control motor
- G267 Potentiometer for temperature selection rotary knob
- J126 Fresh air blower control unit
- J255 Climatronic control unit
- J519 Onboard supply control unit
- L76 Button illumination bulb
- T6t 6-pin connector
- T6u 6-pin connector
- T16d 16-pin connector
- T20a 20-pin connector
- V2 Fresh air blower
- V42 Temperature sensor blower
- V70 Centre flap control motor

- 244 Earth connection (sender earth), in Climatronic wiring harness
- 638 Earth point, on right A-pillar
- 639 Earth point, left A-pillar
- L46 Connection (5 Volt), in Climatronic operating unit wiring harness
- * Only left-hand drive models
- *2 Only right-hand drive models



- ws = white
- sw = black
- ro = red
- rt = red
- br = brown
- gn = green
- bl = blue
- gr = grey
- li = purple
- vi = purple
- ge = yellow
- or = orange
- rs = pink

[NH0-030030216]



Sunlight penetration photosensor, Humidity sender, Light sensor, Air humidity, rain and light sensor, Climatronic control unit, Air flow flap control motor, Defroster flap control motor

- G107 Sunlight penetration photosensor
- G113 Potentiometer for air flow flap control motor
- G135 Potentiometer for defroster flap control motor
- G355 Humidity sender
- G399 Light sensor
- G823 Air humidity, rain and light sensor
- J255 Climatronic control unit
- J519 Onboard supply control unit
- T3e 3-pin connector
- T4e 4-pin connector
- T6r 6-pin connector
- T6s 6-pin connector
- T16d 16-pin connector
- T20a 20-pin connector
- T73a 73-pin connector, black
- T73c 73-pin connector, black
- V71 Air flow flap control motor
- V107 Defroster flap control motor

- 244 Earth connection (sender earth), in Climatronic wiring harness
- 368 Earth connection 3, in main wiring harness
- B316 Positive connection 2 (30a) in main wiring harness
- B528 Connection 1 (LIN bus) in main wiring harness
- L46 Connection (5 Volt), in Climatronic operating unit wiring harness

- * According to equipment
- *2 Only left-hand drive models
- *3 Only right-hand drive models

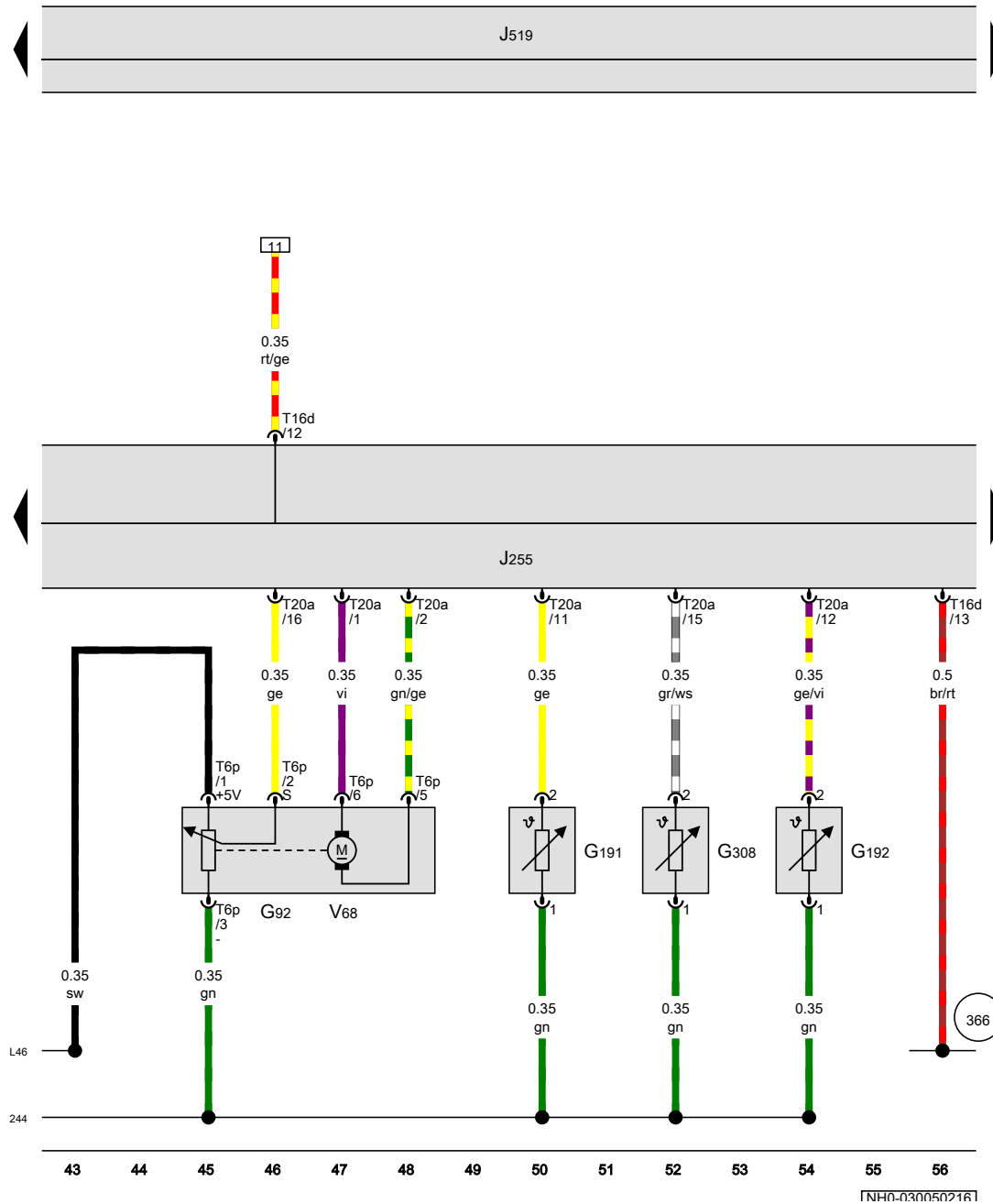
- ws = white
- sw = black
- ro = red
- rt = red
- br = brown
- gn = green
- bl = blue
- gr = grey
- li = purple
- vi = purple
- ge = yellow
- or = orange
- rs = pink

1NH0-0300402161

Centre vent temperature sender, Footwell vent temperature sender, Evaporator temperature sensor, Climatronic control unit, Temperature flap control motor

- G92 Potentiometer for temperature flap control motor
- G191 Centre vent temperature sender
- G192 Footwell vent temperature sender
- G308 Evaporator temperature sensor
- J255 Climatronic control unit
- J519 Onboard supply control unit
- T6p 6-pin connector
- T16d 16-pin connector
- T20a 20-pin connector
- V68 Temperature flap control motor

- 244 Earth connection (sender earth), in Climatronic wiring harness
- 366 Earth connection 1, in main wiring harness
- L46 Connection (5 Volt), in Climatronic operating unit wiring harness



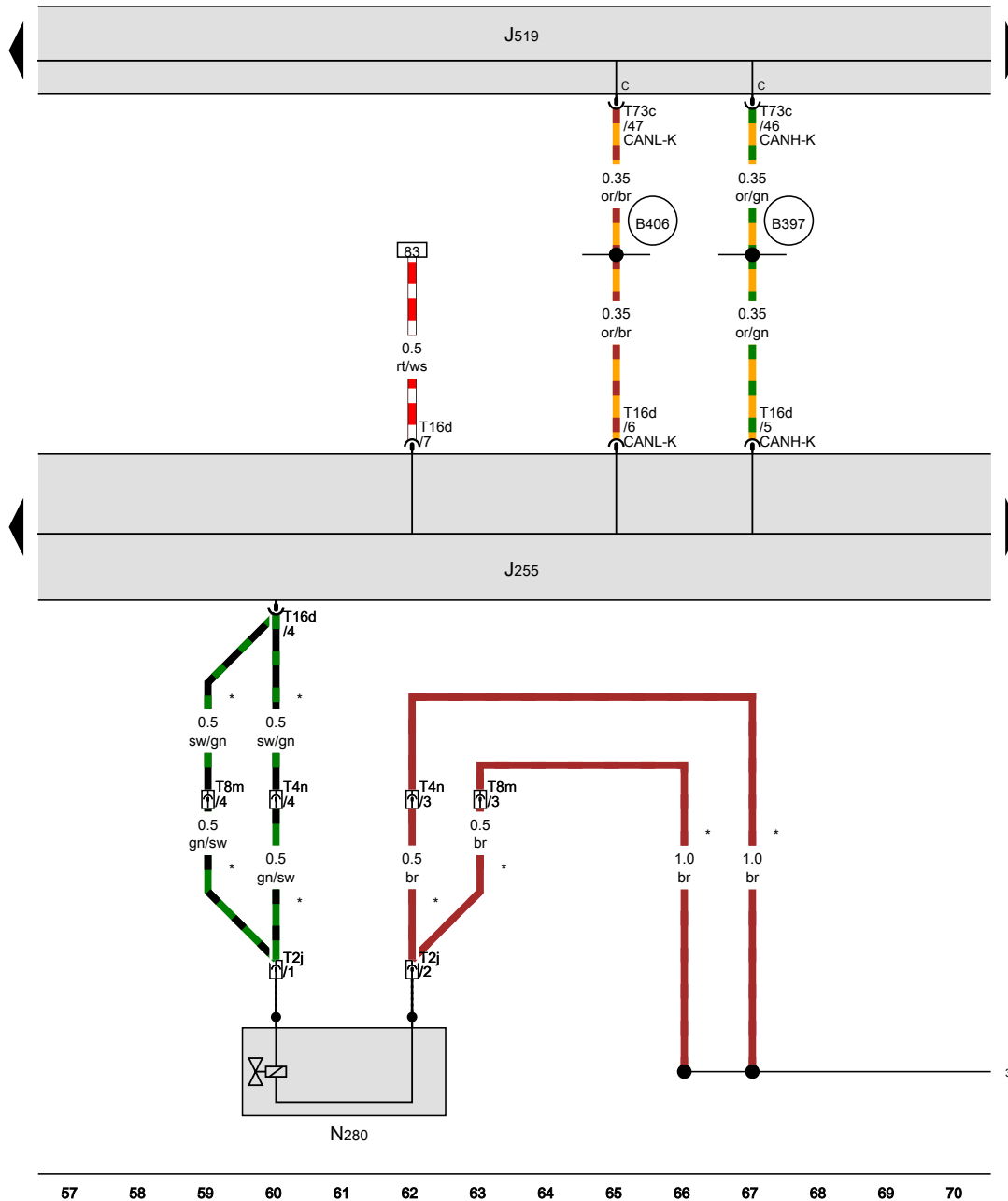
- ws = white
- sw = black
- ro = red
- rt = red
- br = brown
- gn = green
- bl = blue
- gr = grey
- li = purple
- vi = purple
- ge = yellow
- or = orange
- rs = pink

[NH0-030050216]

Climatronic control unit, Air conditioner compressor regulating valve

- J255 Climatronic control unit
- J519 Onboard supply control unit
- N280 Air conditioner compressor regulating valve
- T2j 2-pin connector
- T4n 4-pin connector, front left in engine compartment
- T8m 8-pin connector, front left in engine compartment
- T16d 16-pin connector
- T73c 73-pin connector, black

- 381 Earth connection 16, in main wiring harness
- B397 Connection 1 (convenience CAN bus, high), in main wiring harness
- B406 Connection 1 (convenience CAN bus, low), in main wiring harness
- * According to equipment



- ws = white
- sw = black
- ro = red
- rt = red
- br = brown
- gn = green
- bl = blue
- gr = grey
- li = purple
- vi = purple
- ge = yellow
- or = orange
- rs = pink

1NH0-030060216

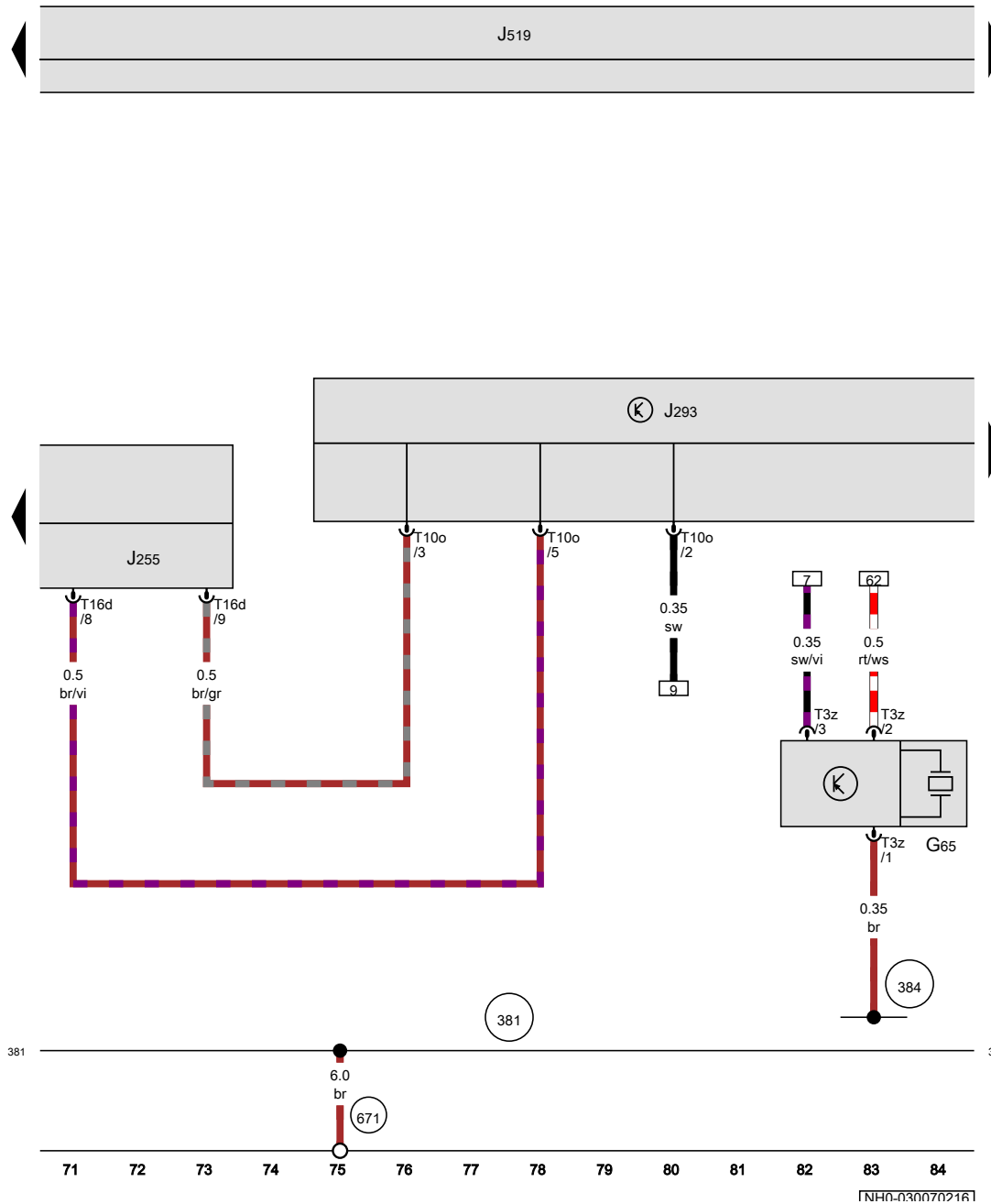
High-pressure sender, Climatronic control unit, Radiator fan control unit

- G65 High-pressure sender
- J255 Climatronic control unit
- J293 Radiator fan control unit
- J519 Onboard supply control unit
- T3z 3-pin connector
- T10o 10-pin connector
- T16d 16-pin connector

381 Earth connection 16, in main wiring harness

384 Earth connection 19, in main wiring harness

671 Earth point 1, on front of left longitudinal member



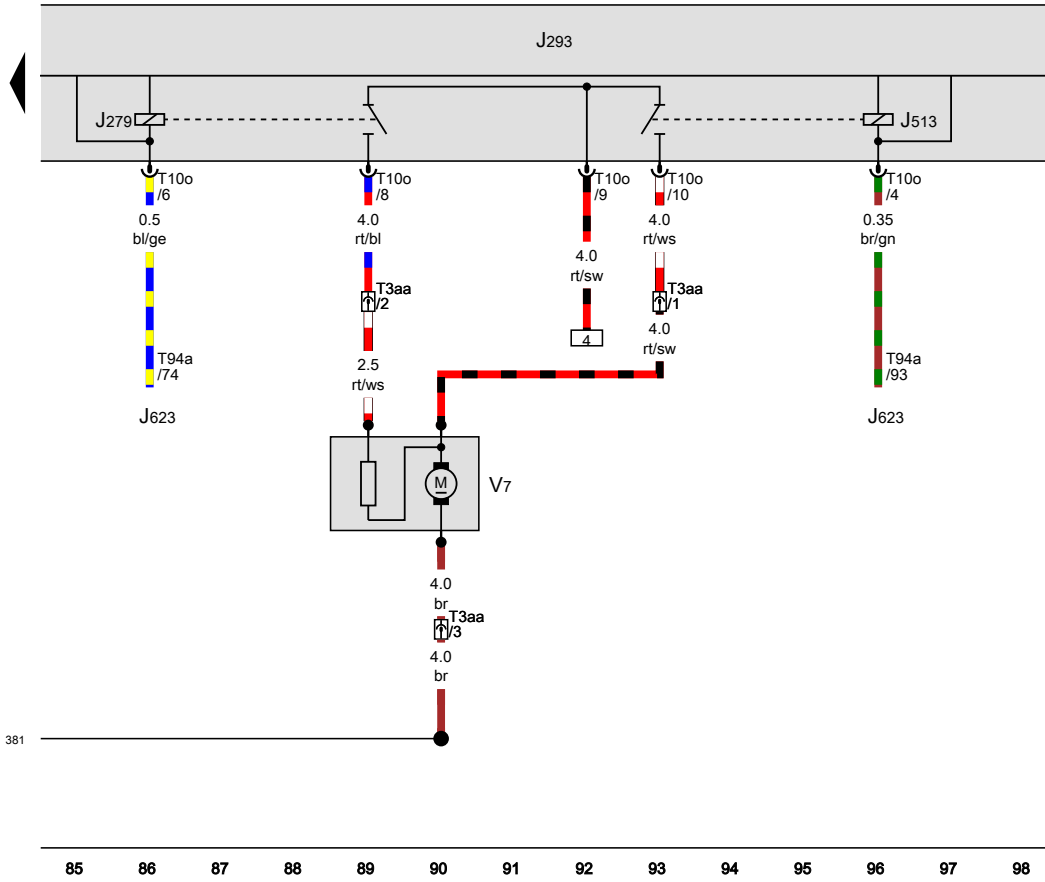
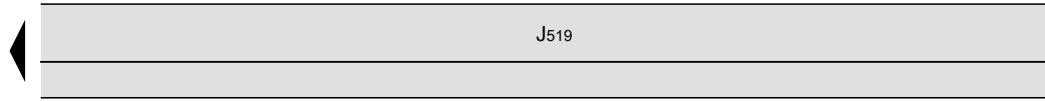
- ws = white
- sw = black
- ro = red
- rt = red
- br = brown
- gn = green
- bl = blue
- gr = grey
- li = purple
- vi = purple
- ge = yellow
- or = orange
- rs = pink

[NH0-030070216]

Radiator fan control unit, Radiator fan

- J279 Radiator fan V7 and V35 relay - 1st speed
- J293 Radiator fan control unit
- J513 Radiator fan V7 and V35 relay, 2nd speed
- J519 Onboard supply control unit
- J623 Engine control unit
- T3aa 3-pin connector, on radiator fan
- T10o 10-pin connector
- T94a 94-pin connector
- V7 Radiator fan

381 Earth connection 16, in main wiring harness



- ws = white
- sw = black
- ro = red
- rt = red
- br = brown
- gn = green
- bl = blue
- gr = grey
- li = purple
- vi = purple
- ge = yellow
- or = orange
- rs = pink

85 86 87 88 89 90 91 92 93 94 95 96 97 98

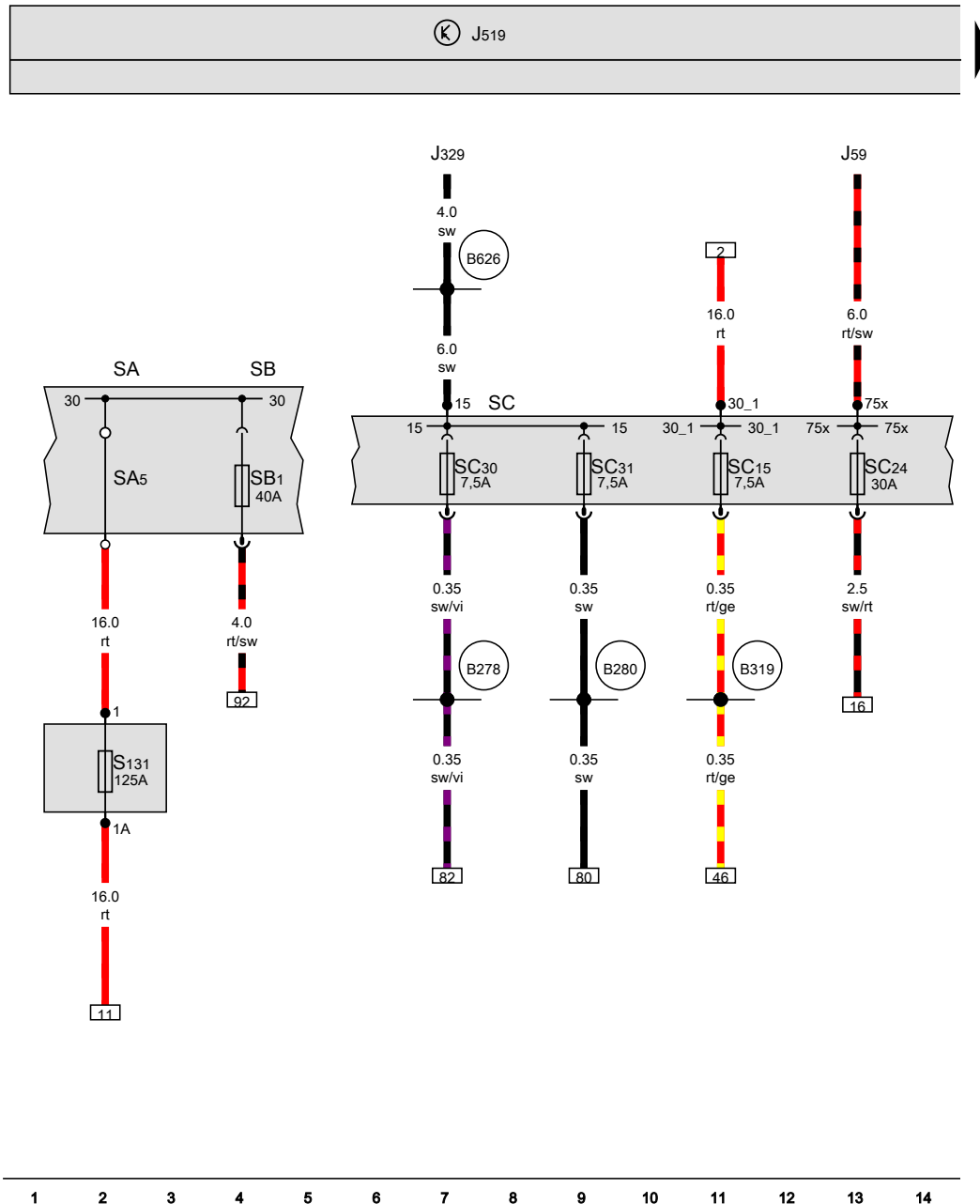
[NH0-030000216]

Climatronic , CUSB
From May 2015

Fuse holder A, Fuse holder B, Fuse holder C

- J59 X-contact relief relay
- J329 Terminal 15 voltage supply relay
- J519 Onboard supply control unit
- SA Fuse holder A
- SB Fuse holder B
- SB1 Fuse 1 on fuse holder B
- SA5 Fuse 5 in fuse holder A
- S131 Fuse 1, in main wiring harness
- SC Fuse holder C
- SC15 Fuse 15 on fuse holder C
- SC24 Fuse 24 on fuse holder C
- SC30 Fuse 30 on fuse holder C
- SC31 Fuse 31 on fuse holder C

- (B278) Positive connection 2 (15a) in main wiring harness
- (B280) Positive connection 4 (15a) in main wiring harness
- (B319) Positive connection 5 (30a) in main wiring harness
- (B626) Positive connection 2 (15), in main wiring harness



- ws = white
- sw = black
- ro = red
- rt = red
- br = brown
- gn = green
- bl = blue
- gr = grey
- li = purple
- vi = purple
- ge = yellow
- or = orange
- rs = pink

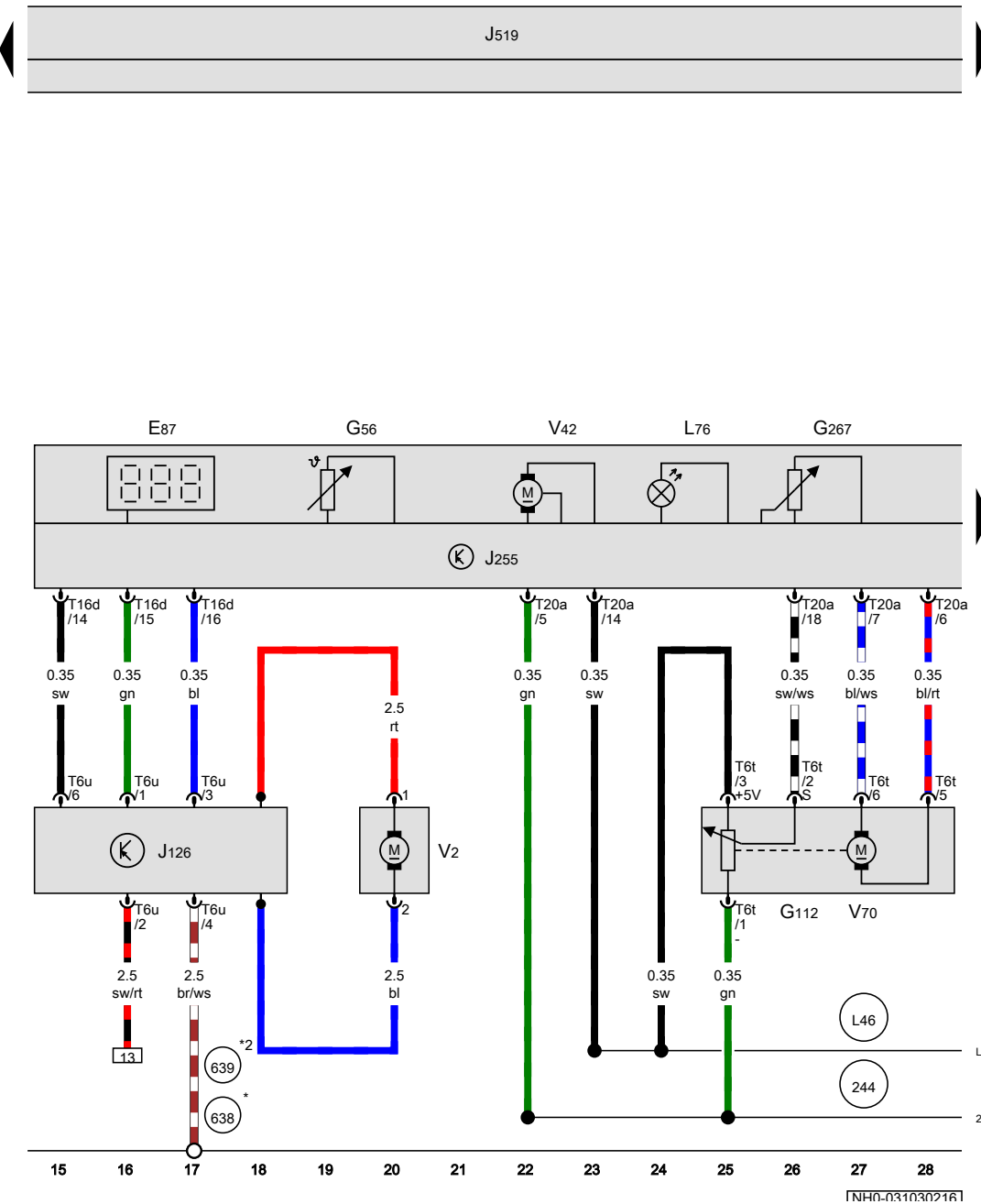
1 2 3 4 5 6 7 8 9 10 11 12 13 14

[NH0-031020216]

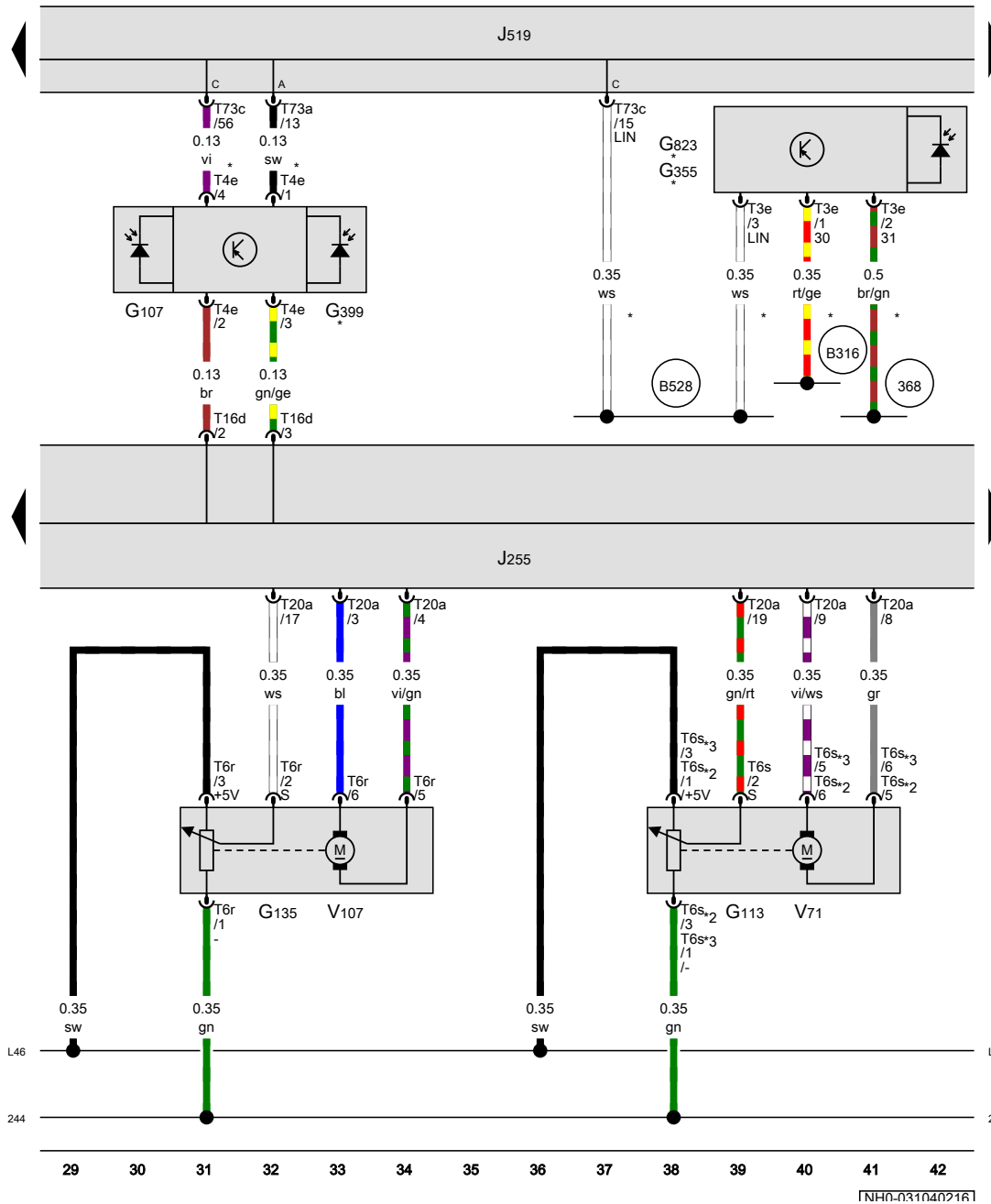
Fresh air blower control unit, Climatronic control unit, Fresh air blower, Centre flap control motor

- E87 Operating and display unit for front air conditioning system
- G56 Dash panel temperature sensor
- G112 Potentiometer for centre flap control motor
- G267 Potentiometer for temperature selection rotary knob
- J126 Fresh air blower control unit
- J255 Climatronic control unit
- J519 Onboard supply control unit
- L76 Button illumination bulb
- T6t 6-pin connector
- T6u 6-pin connector
- T16d 16-pin connector
- T20a 20-pin connector
- V2 Fresh air blower
- V42 Temperature sensor blower
- V70 Centre flap control motor

- 244 Earth connection (sender earth), in Climatronic wiring harness
- 638 Earth point, on right A-pillar
- 639 Earth point, left A-pillar
- L46 Connection (5 Volt), in Climatronic operating unit wiring harness
- * Only left-hand drive models
- *2 Only right-hand drive models



NH0-0310302161



Sunlight penetration photosensor, Humidity sender, Light sensor, Air humidity, rain and light sensor, Climatronic control unit, Air flow flap control motor, Defroster flap control motor

- G107 Sunlight penetration photosensor
- G113 Potentiometer for air flow flap control motor
- G135 Potentiometer for defroster flap control motor
- G355 Humidity sender
- G399 Light sensor
- G823 Air humidity, rain and light sensor
- J255 Climatronic control unit
- J519 Onboard supply control unit
- T3e 3-pin connector
- T4e 4-pin connector
- T6r 6-pin connector
- T6s 6-pin connector
- T16d 16-pin connector
- T20a 20-pin connector
- T73a 73-pin connector, black
- T73c 73-pin connector, black
- V71 Air flow flap control motor
- V107 Defroster flap control motor

244 Earth connection (sender earth), in Climatronic wiring harness

368 Earth connection 3, in main wiring harness

B316 Positive connection 2 (30a) in main wiring harness

B528 Connection 1 (LIN bus) in main wiring harness

L46 Connection (5 Volt), in Climatronic operating unit wiring harness

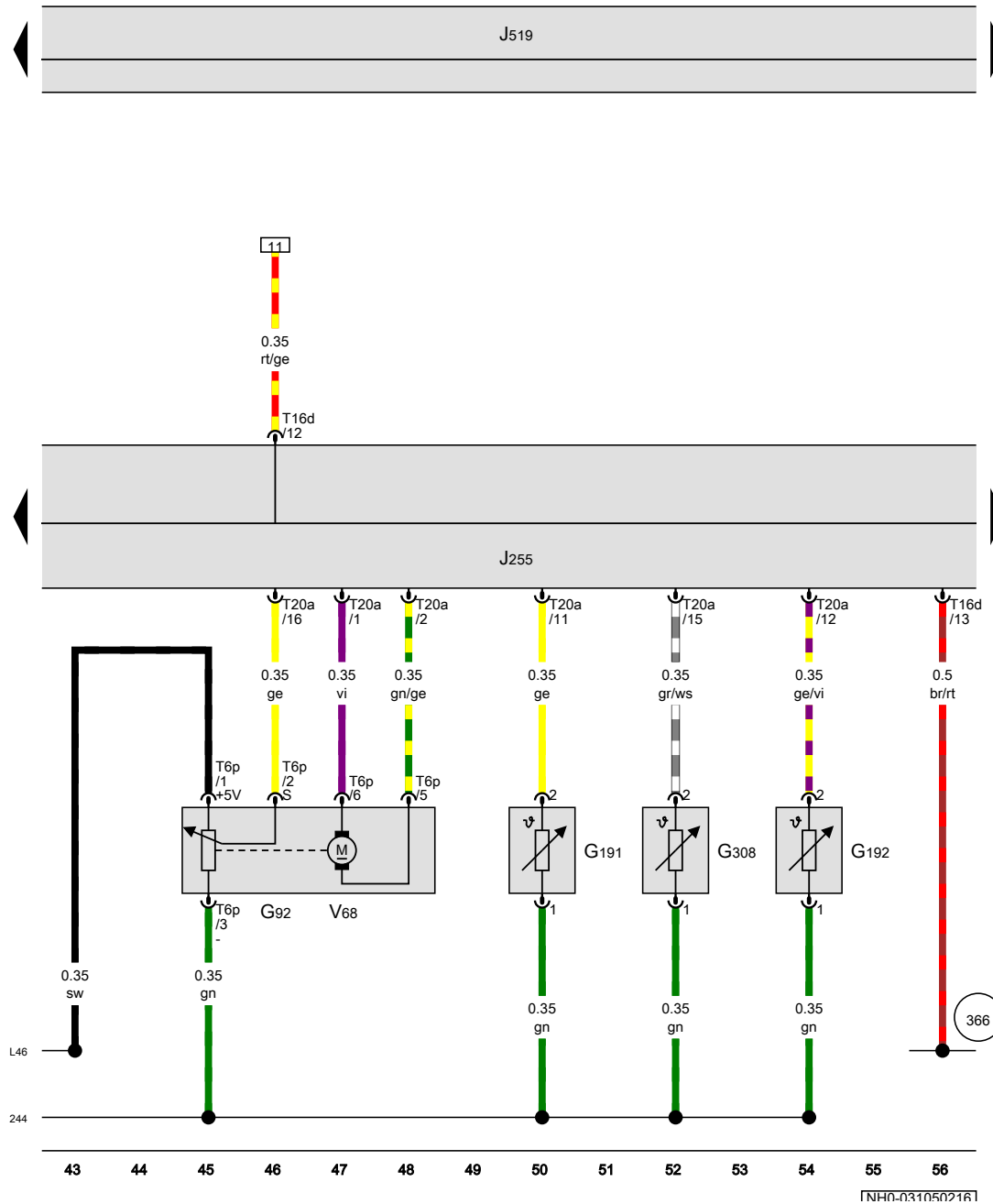
- * According to equipment
- *2 Only left-hand drive models
- *3 Only right-hand drive models

- ws = white
- sw = black
- ro = red
- rt = red
- br = brown
- gn = green
- bl = blue
- gr = grey
- li = purple
- vi = purple
- ge = yellow
- or = orange
- rs = pink

Centre vent temperature sender, Footwell vent temperature sender, Evaporator temperature sensor, Climatronic control unit, Temperature flap control motor

- G92 Potentiometer for temperature flap control motor
- G191 Centre vent temperature sender
- G192 Footwell vent temperature sender
- G308 Evaporator temperature sensor
- J255 Climatronic control unit
- J519 Onboard supply control unit
- T6p 6-pin connector
- T16d 16-pin connector
- T20a 20-pin connector
- V68 Temperature flap control motor

- 244 Earth connection (sender earth), in Climatronic wiring harness
- 366 Earth connection 1, in main wiring harness
- L46 Connection (5 Volt), in Climatronic operating unit wiring harness



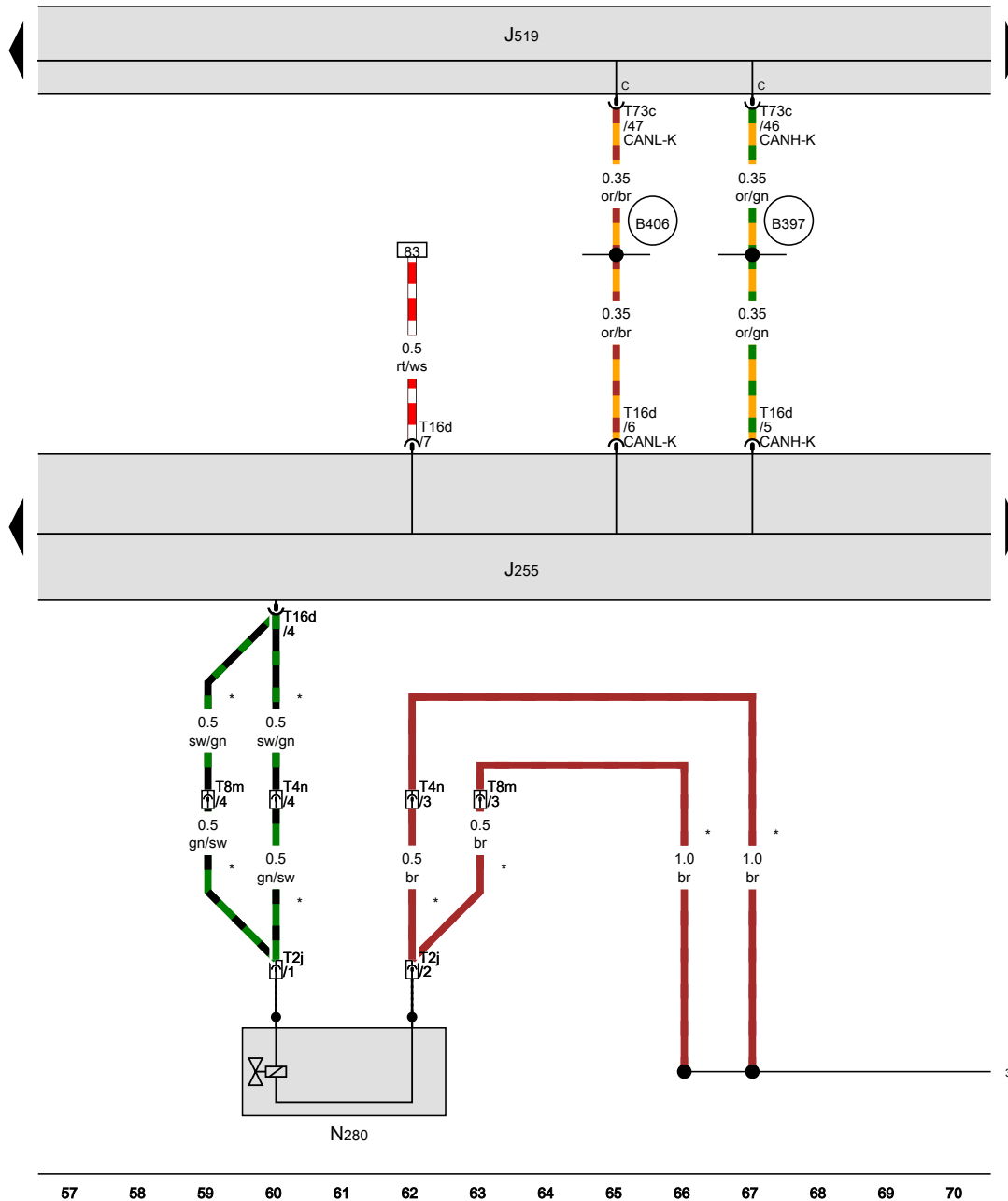
- ws = white
- sw = black
- ro = red
- rt = red
- br = brown
- gn = green
- bl = blue
- gr = grey
- li = purple
- vi = purple
- ge = yellow
- or = orange
- rs = pink

[NH0-031050216]

Climatronic control unit, Air conditioner compressor regulating valve

- J255 Climatronic control unit
- J519 Onboard supply control unit
- N280 Air conditioner compressor regulating valve
- T2j 2-pin connector
- T4n 4-pin connector, front left in engine compartment
- T8m 8-pin connector, front left in engine compartment
- T16d 16-pin connector
- T73c 73-pin connector, black

- 381 Earth connection 16, in main wiring harness
- B397 Connection 1 (convenience CAN bus, high), in main wiring harness
- B406 Connection 1 (convenience CAN bus, low), in main wiring harness
- * According to equipment



- ws = white
- sw = black
- ro = red
- rt = red
- br = brown
- gn = green
- bl = blue
- gr = grey
- li = purple
- vi = purple
- ge = yellow
- or = orange
- rs = pink

1NH0-031060216

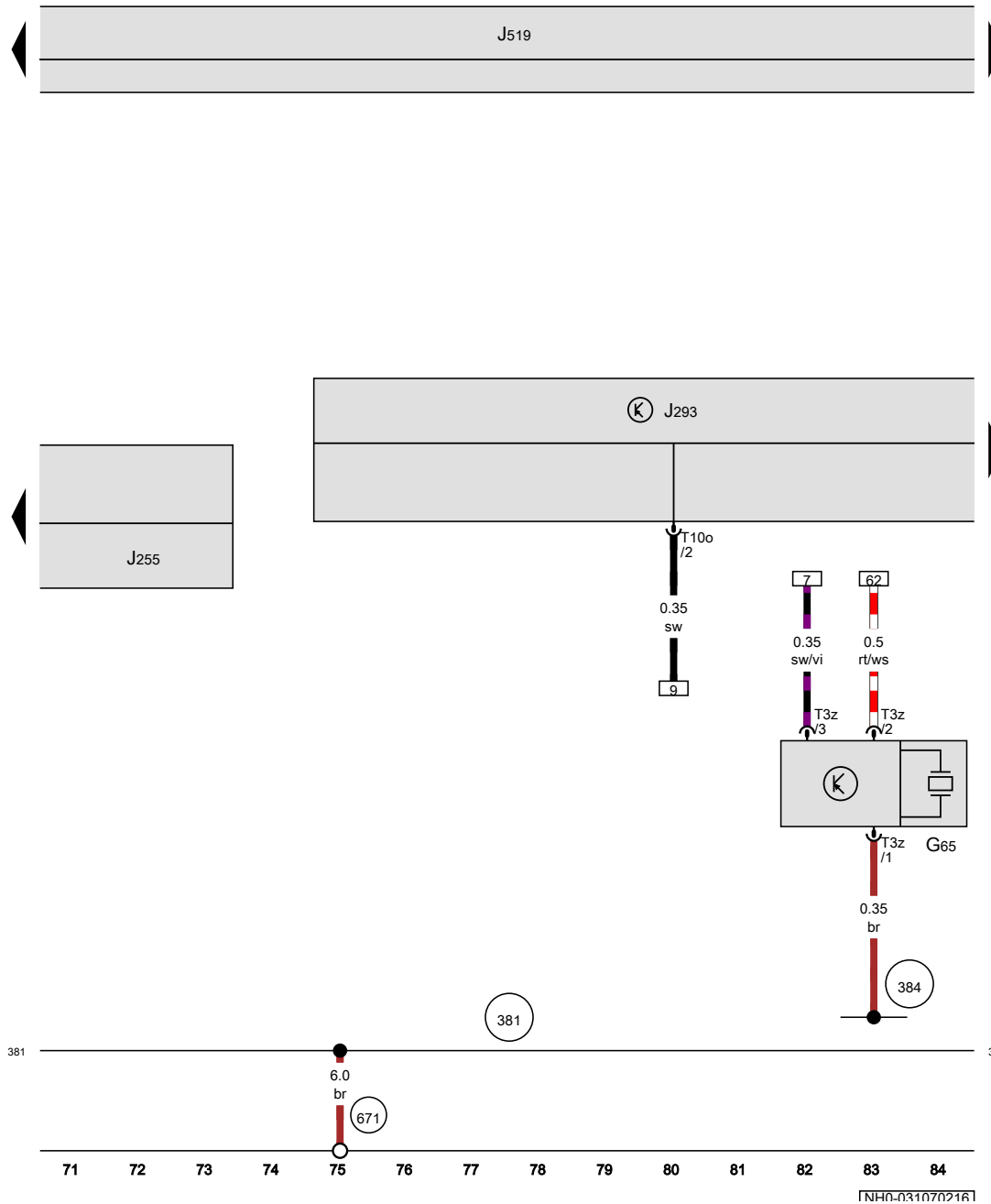
High-pressure sender, Climatronic control unit, Radiator fan control unit

- G65 High-pressure sender
- J255 Climatronic control unit
- J293 Radiator fan control unit
- J519 Onboard supply control unit
- T3z 3-pin connector
- T10o 10-pin connector

381 Earth connection 16, in main wiring harness

384 Earth connection 19, in main wiring harness

671 Earth point 1, on front of left longitudinal member



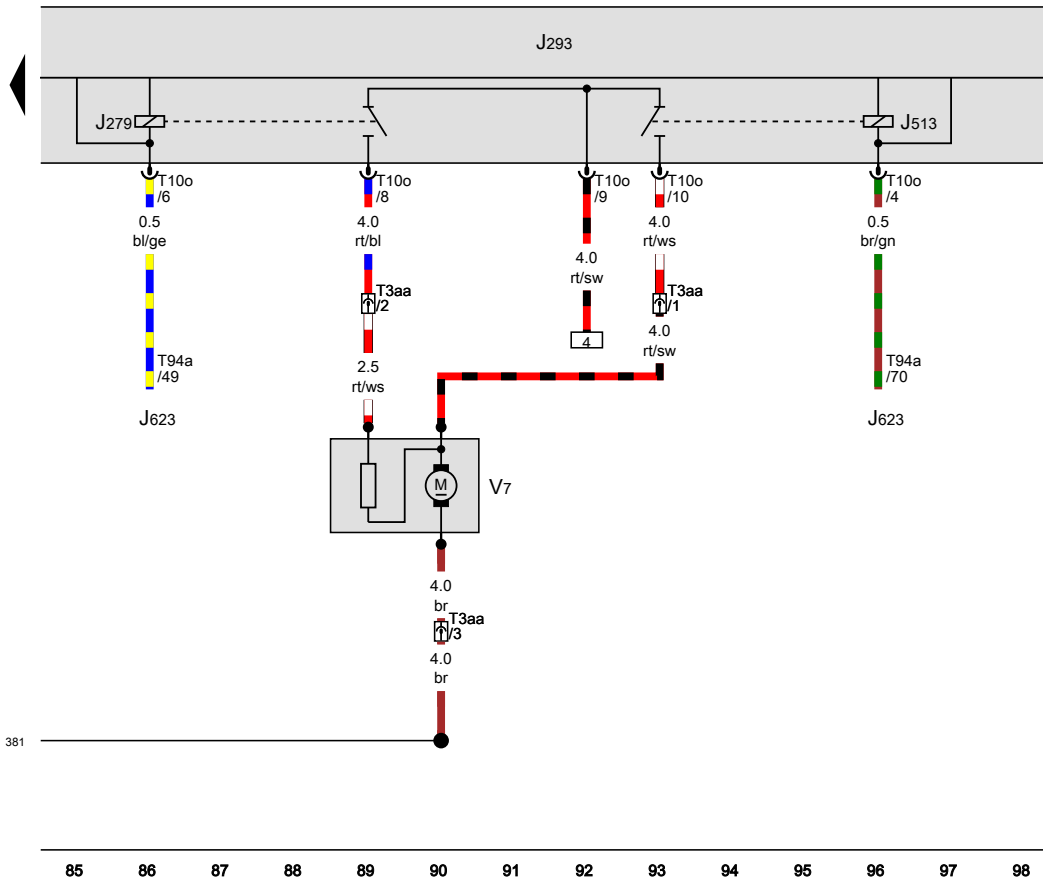
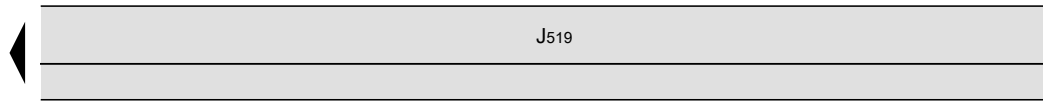
- ws = white
- sw = black
- ro = red
- rt = red
- br = brown
- gn = green
- bl = blue
- gr = grey
- li = purple
- vi = purple
- ge = yellow
- or = orange
- rs = pink

[NH0-031070216]

Radiator fan control unit, Radiator fan

- J279 Radiator fan V7 and V35 relay - 1st speed
- J293 Radiator fan control unit
- J513 Radiator fan V7 and V35 relay, 2nd speed
- J519 Onboard supply control unit
- J623 Engine control unit
- T3aa 3-pin connector, on radiator fan
- T10o 10-pin connector
- T94a 94-pin connector
- V7 Radiator fan

381 Earth connection 16, in main wiring harness



- ws = white
- sw = black
- ro = red
- rt = red
- br = brown
- gn = green
- bl = blue
- gr = grey
- li = purple
- vi = purple
- ge = yellow
- or = orange
- rs = pink

[NH0-0310R0216]

Climatronic , CXMA
From May 2015

Battery, Fuse holder B, Fuse holder D

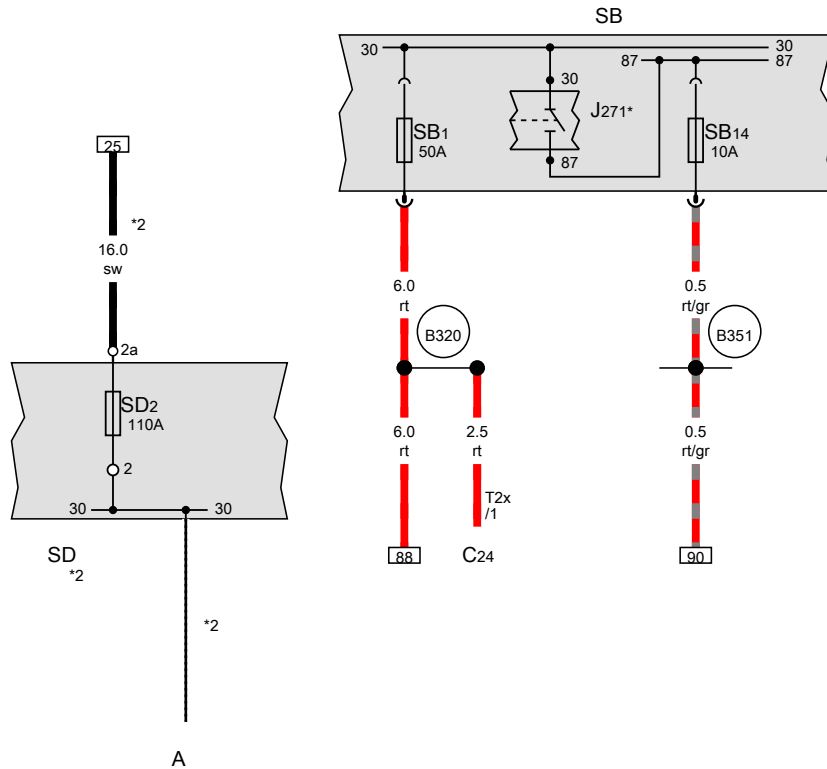
- A Battery
- C24 Suppression filter
- J271 Main relay
- J519 Onboard supply control unit
- SB Fuse holder B
- SB1 Fuse 1 on fuse holder B
- SD2 Fuse 2 on fuse holder D
- SB14 Fuse 14 on fuse holder B
- SD Fuse holder D
- T2x 2-pin connector

B320 Positive connection 6 (30a) in main wiring harness

B351 Positive connection 2 (87a) in main wiring harness

* see applicable current flow diagram for engine

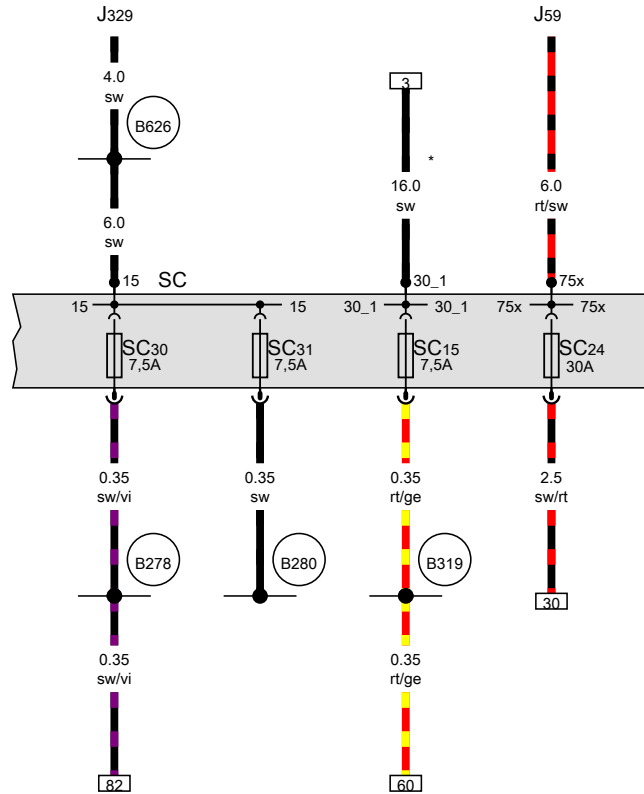
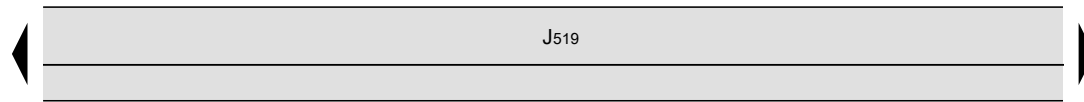
*2 Only models with battery in luggage compartment



- ws = white
- sw = black
- ro = red
- rt = red
- br = brown
- gn = green
- bl = blue
- gr = grey
- li = purple
- vi = purple
- ge = yellow
- or = orange
- rs = pink

1 2 3 4 5 6 7 8 9 10 11 12 13 14

[NH0-032020216]



Fuse holder C

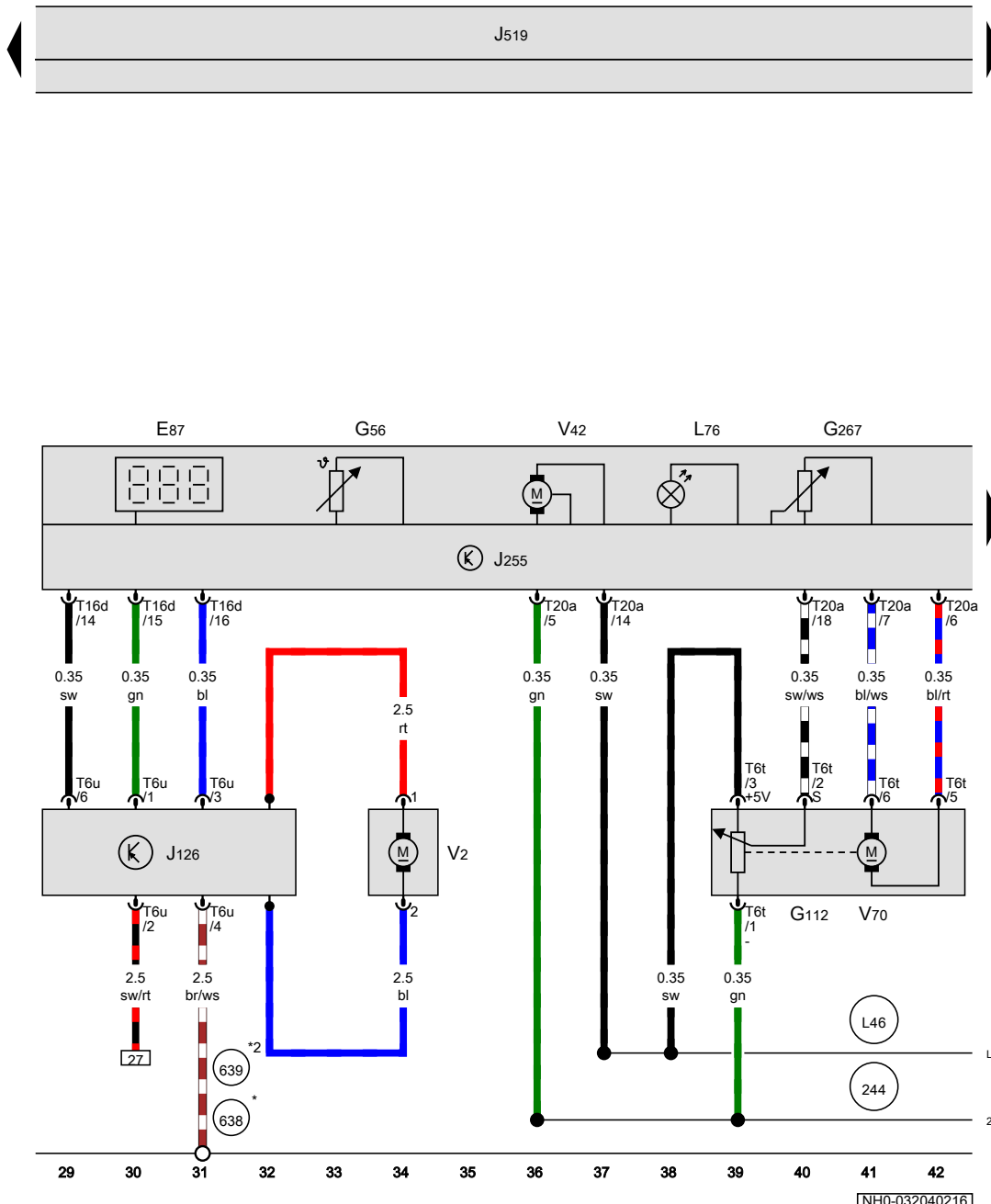
- J59 X-contact relief relay
- J329 Terminal 15 voltage supply relay
- J519 Onboard supply control unit
- SC Fuse holder C
- SC15 Fuse 15 on fuse holder C
- SC24 Fuse 24 on fuse holder C
- SC30 Fuse 30 on fuse holder C
- SC31 Fuse 31 on fuse holder C

- B278 Positive connection 2 (15a) in main wiring harness
- B280 Positive connection 4 (15a) in main wiring harness
- B319 Positive connection 5 (30a) in main wiring harness
- B626 Positive connection 2 (15), in main wiring harness
- * Only models with battery in luggage compartment

- ws = white
- sw = black
- ro = red
- rt = red
- br = brown
- gn = green
- bl = blue
- gr = grey
- li = purple
- vi = purple
- ge = yellow
- or = orange
- rs = pink

15 16 17 18 19 20 21 22 23 24 25 26 27 28

[NH0-032030216]

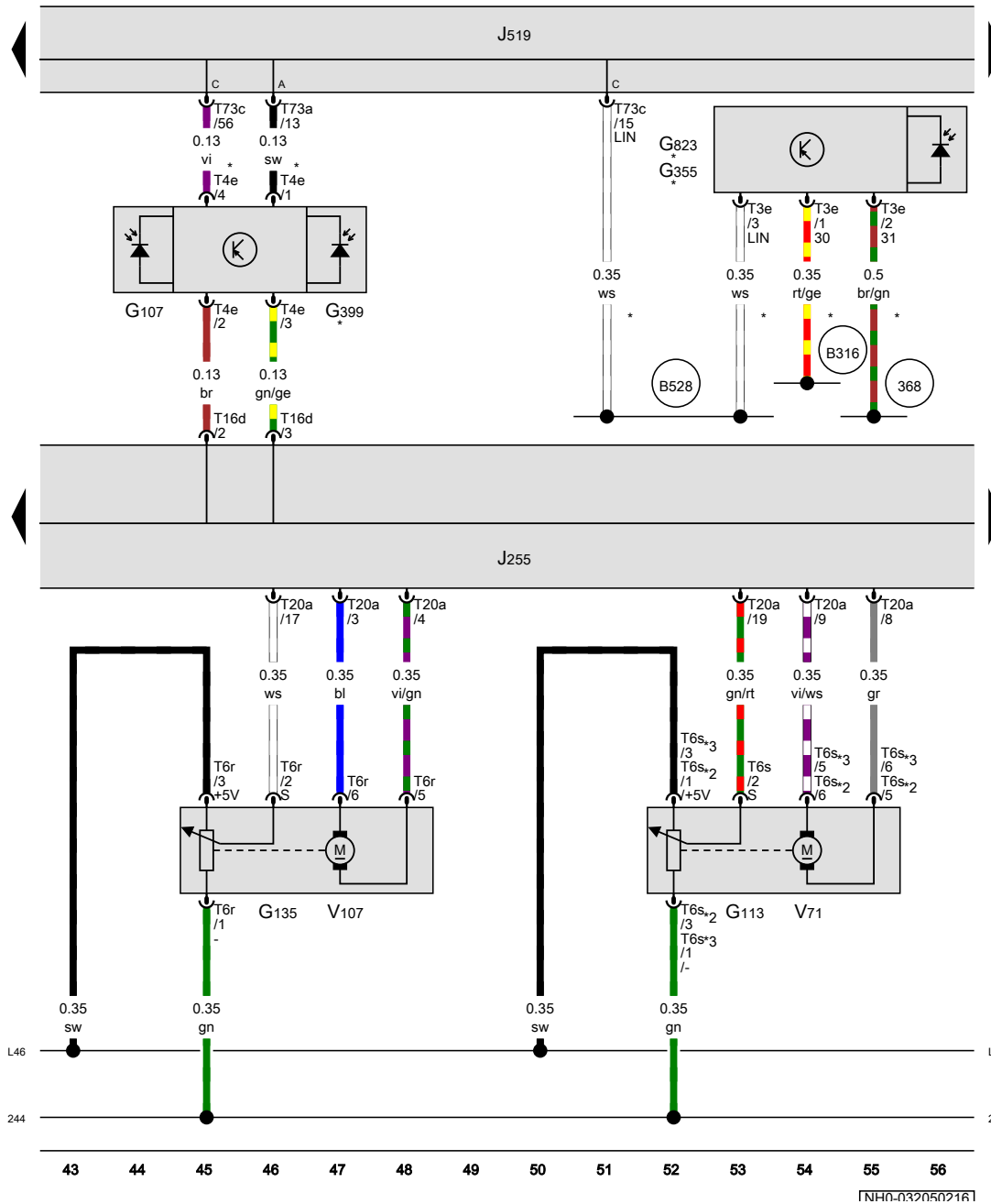


Fresh air blower control unit, Climatronic control unit, Fresh air blower, Centre flap control motor

- E87 Operating and display unit for front air conditioning system
- G56 Dash panel temperature sensor
- G112 Potentiometer for centre flap control motor
- G267 Potentiometer for temperature selection rotary knob
- J126 Fresh air blower control unit
- J255 Climatronic control unit
- J519 Onboard supply control unit
- L76 Button illumination bulb
- T6t 6-pin connector
- T6u 6-pin connector
- T16d 16-pin connector
- T20a 20-pin connector
- V2 Fresh air blower
- V42 Temperature sensor blower
- V70 Centre flap control motor

- 244 Earth connection (sender earth), in Climatronic wiring harness
- 638 Earth point, on right A-pillar
- 639 Earth point, left A-pillar
- L46 Connection (5 Volt), in Climatronic operating unit wiring harness
- * Only left-hand drive models
- *2 Only right-hand drive models

- ws = white
- sw = black
- ro = red
- rt = red
- br = brown
- gn = green
- bl = blue
- gr = grey
- li = purple
- vi = purple
- ge = yellow
- or = orange
- rs = pink



Sunlight penetration photosensor, Humidity sender, Light sensor, Air humidity, rain and light sensor, Climatronic control unit, Air flow flap control motor, Defroster flap control motor

- G107 Sunlight penetration photosensor
- G113 Potentiometer for air flow flap control motor
- G135 Potentiometer for defroster flap control motor
- G355 Humidity sender
- G399 Light sensor
- G823 Air humidity, rain and light sensor
- J255 Climatronic control unit
- J519 Onboard supply control unit
- T3e 3-pin connector
- T4e 4-pin connector
- T6r 6-pin connector
- T6s 6-pin connector
- T16d 16-pin connector
- T20a 20-pin connector
- T73a 73-pin connector, black
- T73c 73-pin connector, black
- V71 Air flow flap control motor
- V107 Defroster flap control motor

- (244) Earth connection (sender earth), in Climatronic wiring harness
- (368) Earth connection 3, in main wiring harness
- (B316) Positive connection 2 (30a) in main wiring harness
- (B528) Connection 1 (LIN bus) in main wiring harness
- (L46) Connection (5 Volt), in Climatronic operating unit wiring harness
- * According to equipment
- *2 Only left-hand drive models
- *3 Only right-hand drive models

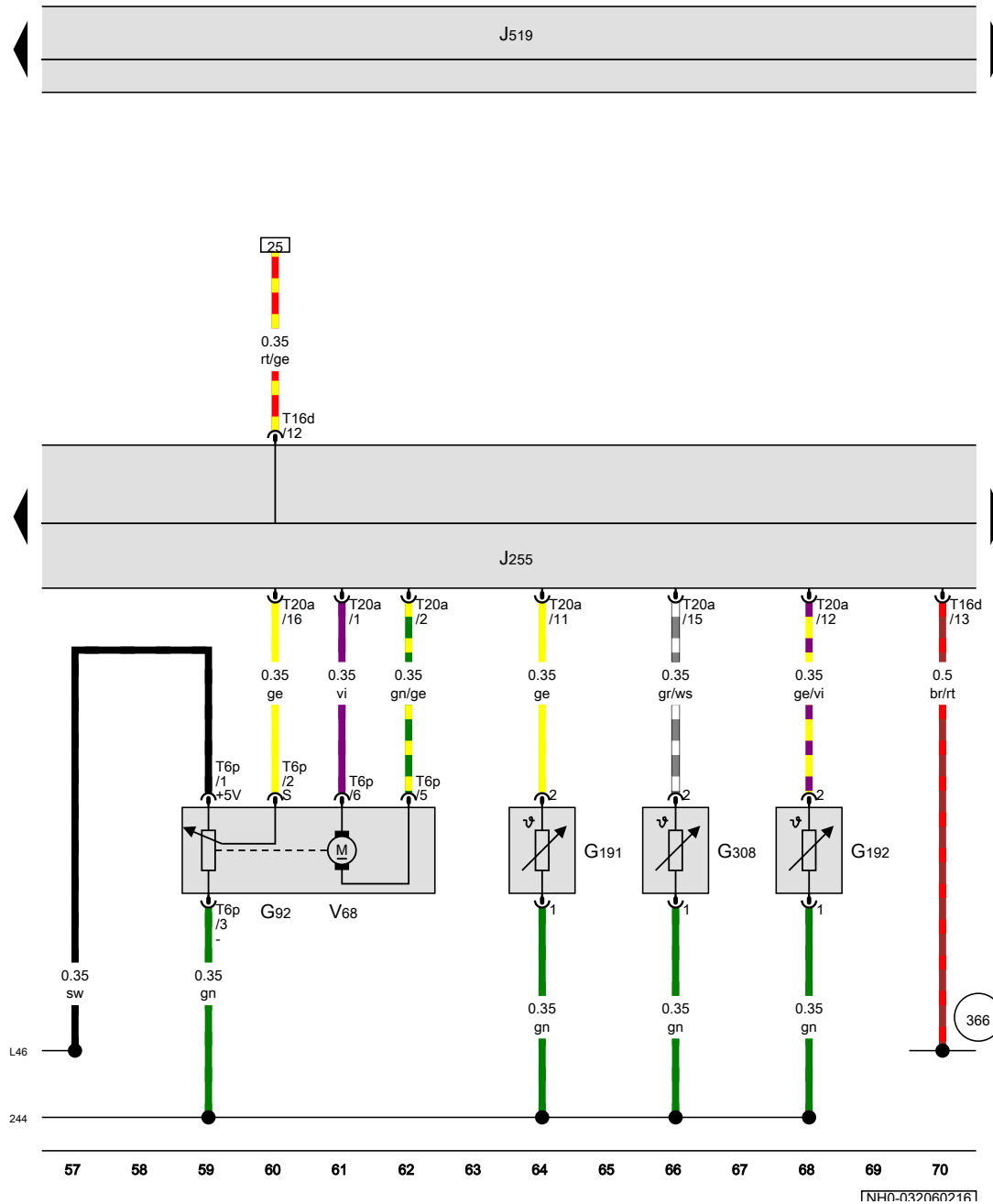
- ws = white
- sw = black
- ro = red
- rt = red
- br = brown
- gn = green
- bl = blue
- gr = grey
- li = purple
- vi = purple
- ge = yellow
- or = orange
- rs = pink

[NH0-032050216]

Centre vent temperature sender, Footwell vent temperature sender, Evaporator temperature sensor, Climatronic control unit, Temperature flap control motor

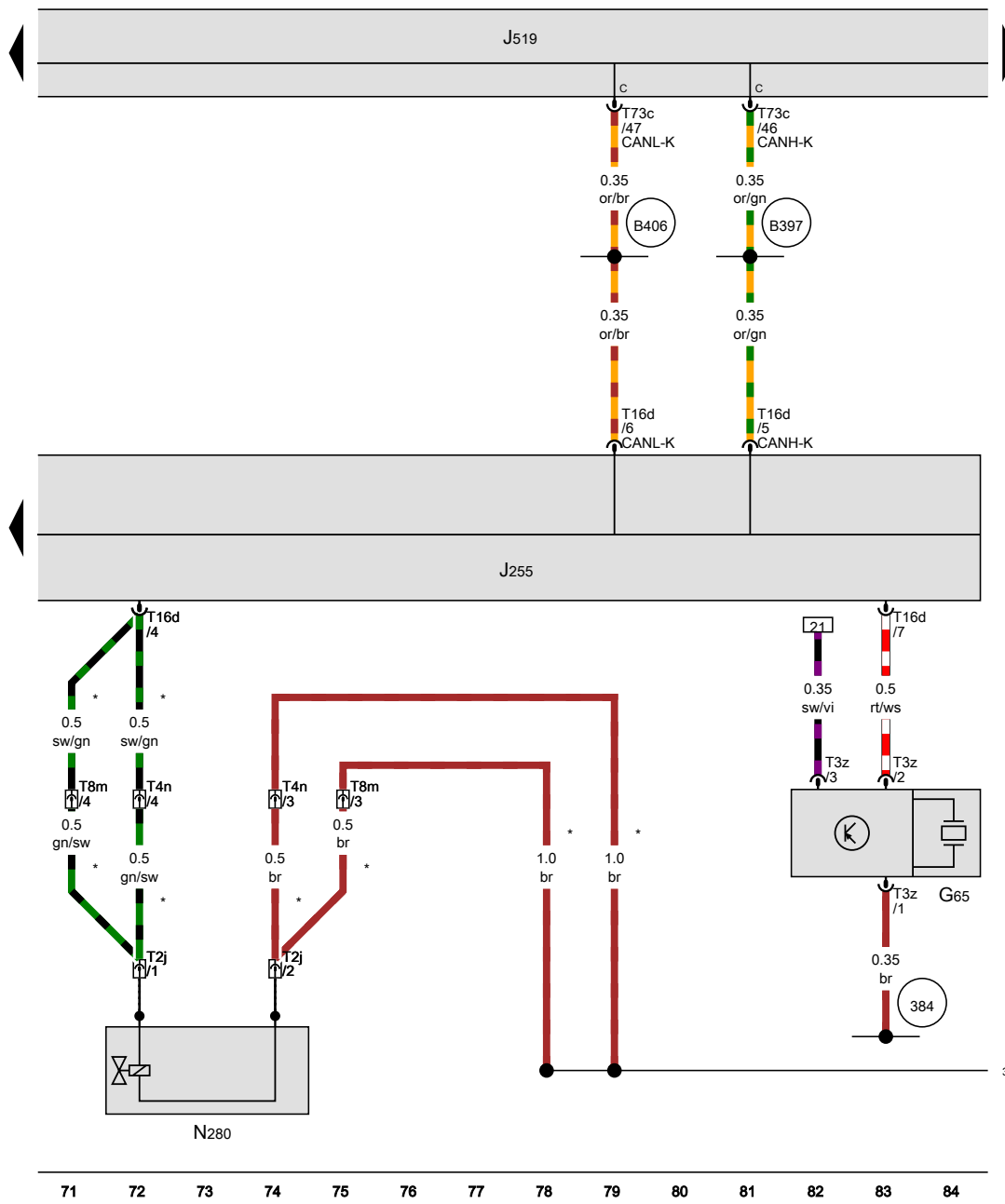
- G92 Potentiometer for temperature flap control motor
- G191 Centre vent temperature sender
- G192 Footwell vent temperature sender
- G308 Evaporator temperature sensor
- J255 Climatronic control unit
- J519 Onboard supply control unit
- T6p 6-pin connector
- T16d 16-pin connector
- T20a 20-pin connector
- V68 Temperature flap control motor

- 244 Earth connection (sender earth), in Climatronic wiring harness
- 366 Earth connection 1, in main wiring harness
- L46 Connection (5 Volt), in Climatronic operating unit wiring harness



- ws = white
- sw = black
- ro = red
- rt = red
- br = brown
- gn = green
- bl = blue
- gr = grey
- li = purple
- vi = purple
- ge = yellow
- or = orange
- rs = pink

[NH0-032060216]



High-pressure sender, Climatronic control unit, Air conditioner compressor regulating valve

- G65 High-pressure sender
- J255 Climatronic control unit
- J519 Onboard supply control unit
- N280 Air conditioner compressor regulating valve
- T2j 2-pin connector
- T3z 3-pin connector
- T4n 4-pin connector, front left in engine compartment
- T8m 8-pin connector, front left in engine compartment
- T16d 16-pin connector
- T73c 73-pin connector, black

- 381 Earth connection 16, in main wiring harness
- 384 Earth connection 19, in main wiring harness
- B397 Connection 1 (convenience CAN bus, high), in main wiring harness
- B406 Connection 1 (convenience CAN bus, low), in main wiring harness
- * According to equipment

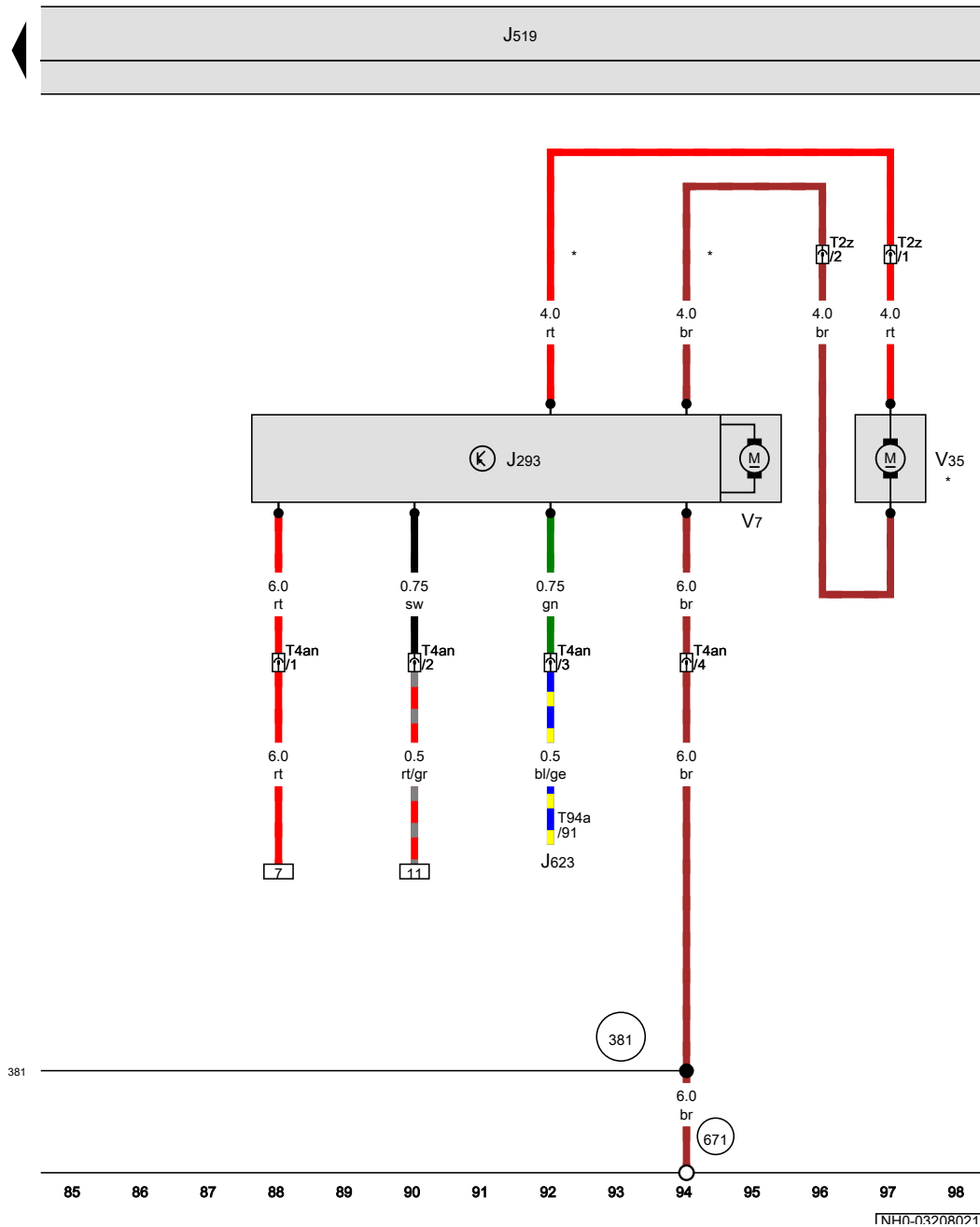
- ws = white
- sw = black
- ro = red
- rt = red
- br = brown
- gn = green
- bl = blue
- gr = grey
- li = purple
- vi = purple
- ge = yellow
- or = orange
- rs = pink

1NH0-0320702161

Radiator fan control unit, Radiator fan, Right radiator fan

- J293 Radiator fan control unit
- J519 Onboard supply control unit
- J623 Engine control unit
- T2z 2-pin connector, on radiator fan
- T4an 4-pin connector
- T94a 94-pin connector
- V7 Radiator fan
- V35 Right radiator fan

- 381 Earth connection 16, in main wiring harness
- 671 Earth point 1, on front of left longitudinal member
- * Only models with two radiator fans



- ws = white
- sw = black
- ro = red
- rt = red
- br = brown
- gn = green
- bl = blue
- gr = grey
- li = purple
- vi = purple
- ge = yellow
- or = orange
- rs = pink

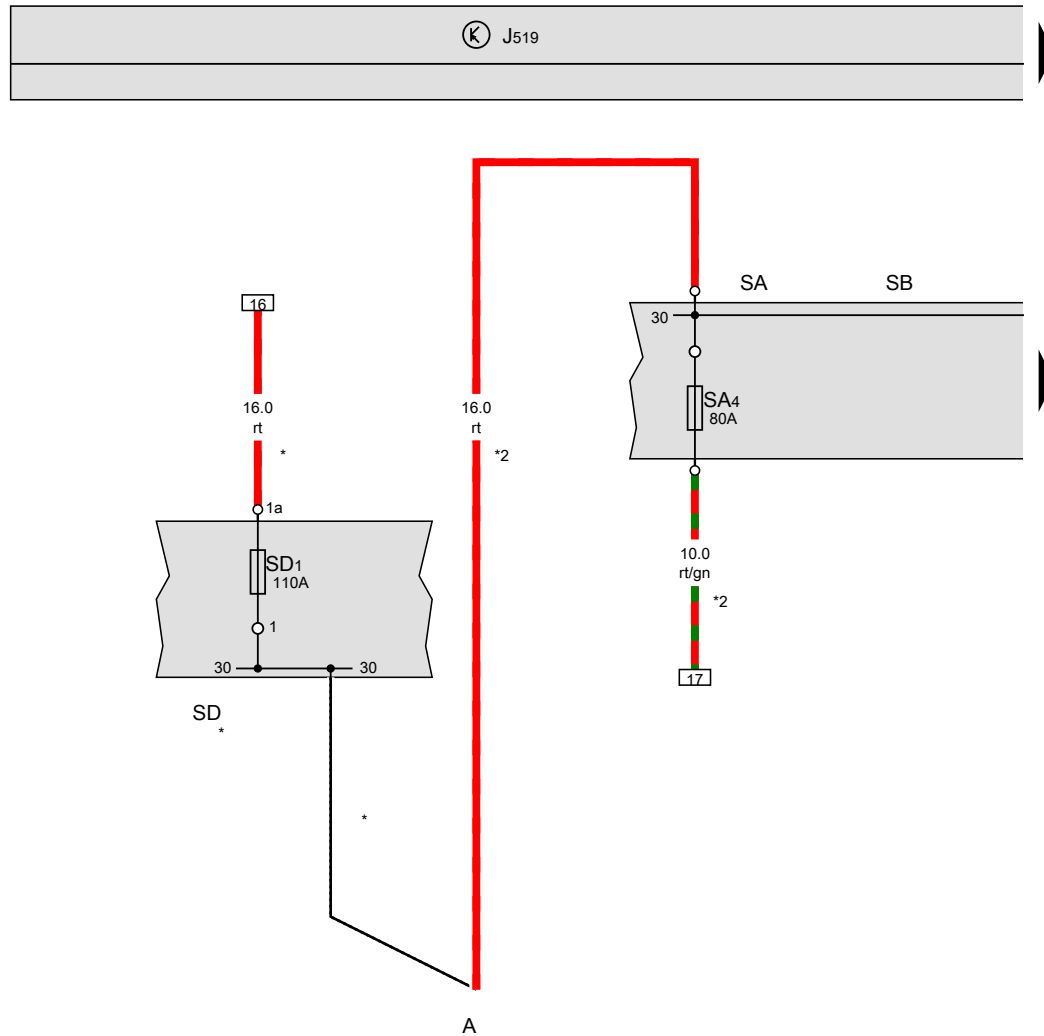
1NH0-0320802161

Auxiliary air heater (PTC) , CUSB

From May 2015

Battery, Fuse holder A, Fuse holder B, Fuse holder D

- A Battery
- J519 Onboard supply control unit
- SA Fuse holder A
- SD1 Fuse 1 on fuse holder D
- SA4 Fuse 4 in fuse holder A
- SB Fuse holder B
- SD Fuse holder D
- * Only models with battery in luggage compartment
- *2 Only models with battery in engine compartment



- ws = white
- sw = black
- ro = red
- rt = red
- br = brown
- gn = green
- bl = blue
- gr = grey
- li = purple
- vi = purple
- ge = yellow
- or = orange
- rs = pink

1 2 3 4 5 6 7 8 9 10 11 12 13 14

[NH0-033020515]

Low heat output relay, High heat output relay, Fuse holder B, Fuse holder C, Auxiliary air heater element

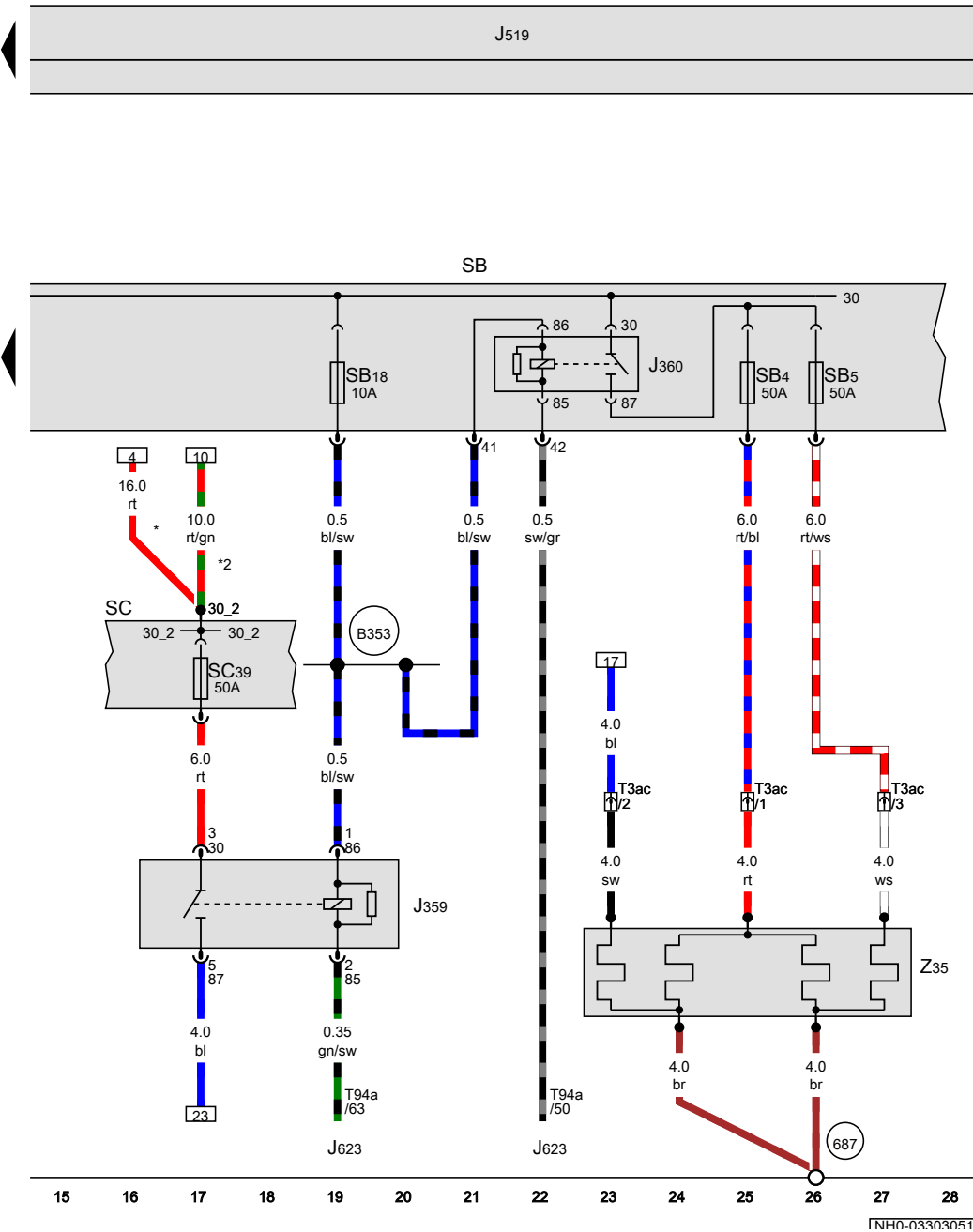
- J359 Low heat output relay
- J360 High heat output relay
- J519 Onboard supply control unit
- J623 Engine control unit
- SB Fuse holder B
- SB4 Fuse 4 on fuse holder B
- SB5 Fuse 5 on fuse holder B
- SB18 Fuse 18 on fuse holder B
- SC Fuse holder C
- SC39 Fuse 39 on fuse holder C
- T3ac 3-pin connector
- T94a 94-pin connector
- Z35 Auxiliary air heater element

687 Earth point 1, on centre tunnel

B353 Positive connection 4 (87a) in main wiring harness

* Only models with battery in luggage compartment

*2 Only models with battery in engine compartment



- ws = white
- sw = black
- ro = red
- rt = red
- br = brown
- gn = green
- bl = blue
- gr = grey
- li = purple
- vi = purple
- ge = yellow
- or = orange
- rs = pink

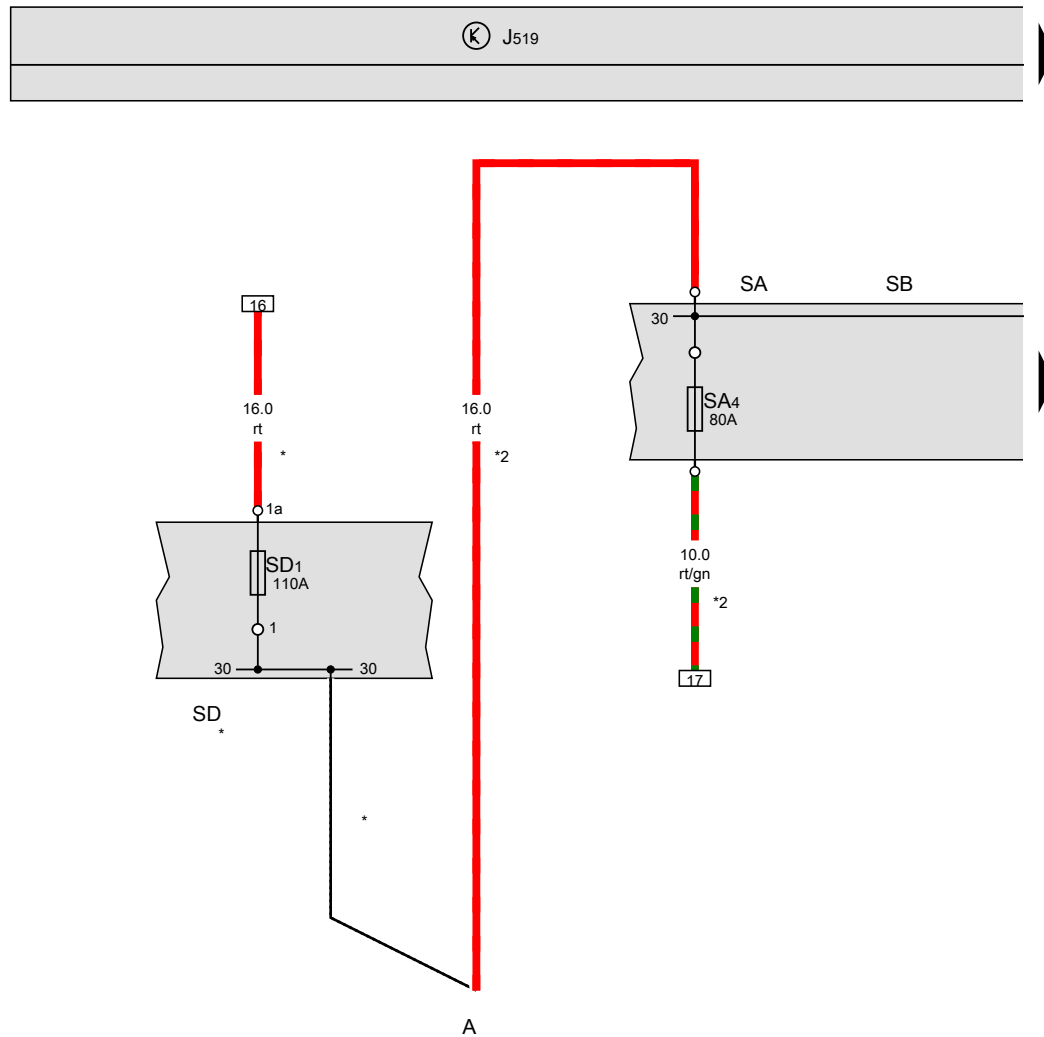
[NH0-033030515]

Auxiliary air heater (PTC) , CXMA

From May 2015

Battery, Fuse holder A, Fuse holder B, Fuse holder D

- A Battery
- J519 Onboard supply control unit
- SA Fuse holder A
- SD1 Fuse 1 on fuse holder D
- SA4 Fuse 4 in fuse holder A
- SB Fuse holder B
- SD Fuse holder D
- * Only models with battery in luggage compartment
- *2 Only models with battery in engine compartment



- ws = white
- sw = black
- ro = red
- rt = red
- br = brown
- gn = green
- bl = blue
- gr = grey
- li = purple
- vi = purple
- ge = yellow
- or = orange
- rs = pink

1 2 3 4 5 6 7 8 9 10 11 12 13 14

[NH0-034020515]

Low heat output relay, High heat output relay, Fuse holder B, Fuse holder C, Auxiliary air heater element

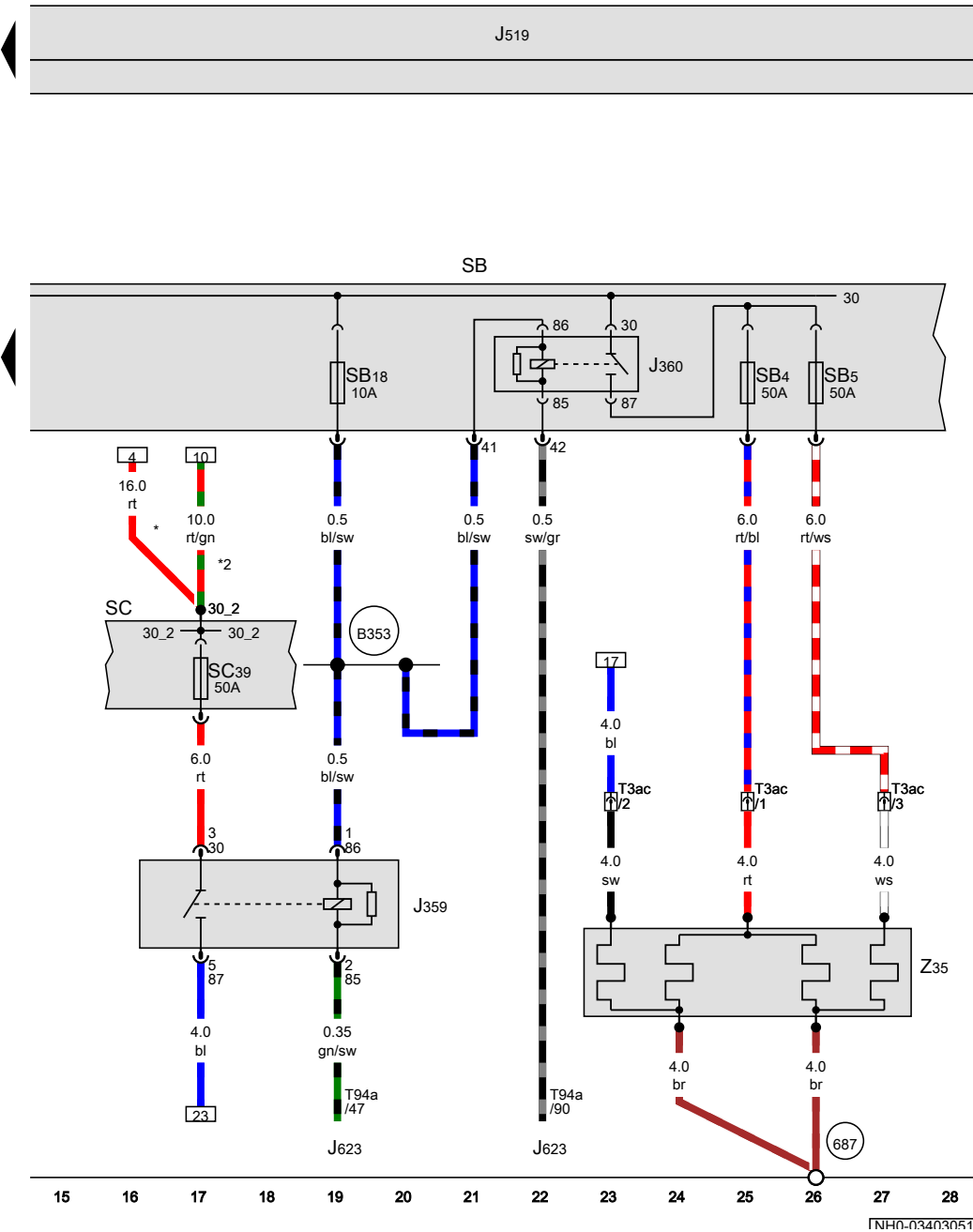
- J359 Low heat output relay
- J360 High heat output relay
- J519 Onboard supply control unit
- J623 Engine control unit
- SB Fuse holder B
- SB4 Fuse 4 on fuse holder B
- SB5 Fuse 5 on fuse holder B
- SB18 Fuse 18 on fuse holder B
- SC Fuse holder C
- SC39 Fuse 39 on fuse holder C
- T3ac 3-pin connector
- T94a 94-pin connector
- Z35 Auxiliary air heater element

687 Earth point 1, on centre tunnel

B353 Positive connection 4 (87a) in main wiring harness

* Only models with battery in luggage compartment

*2 Only models with battery in engine compartment



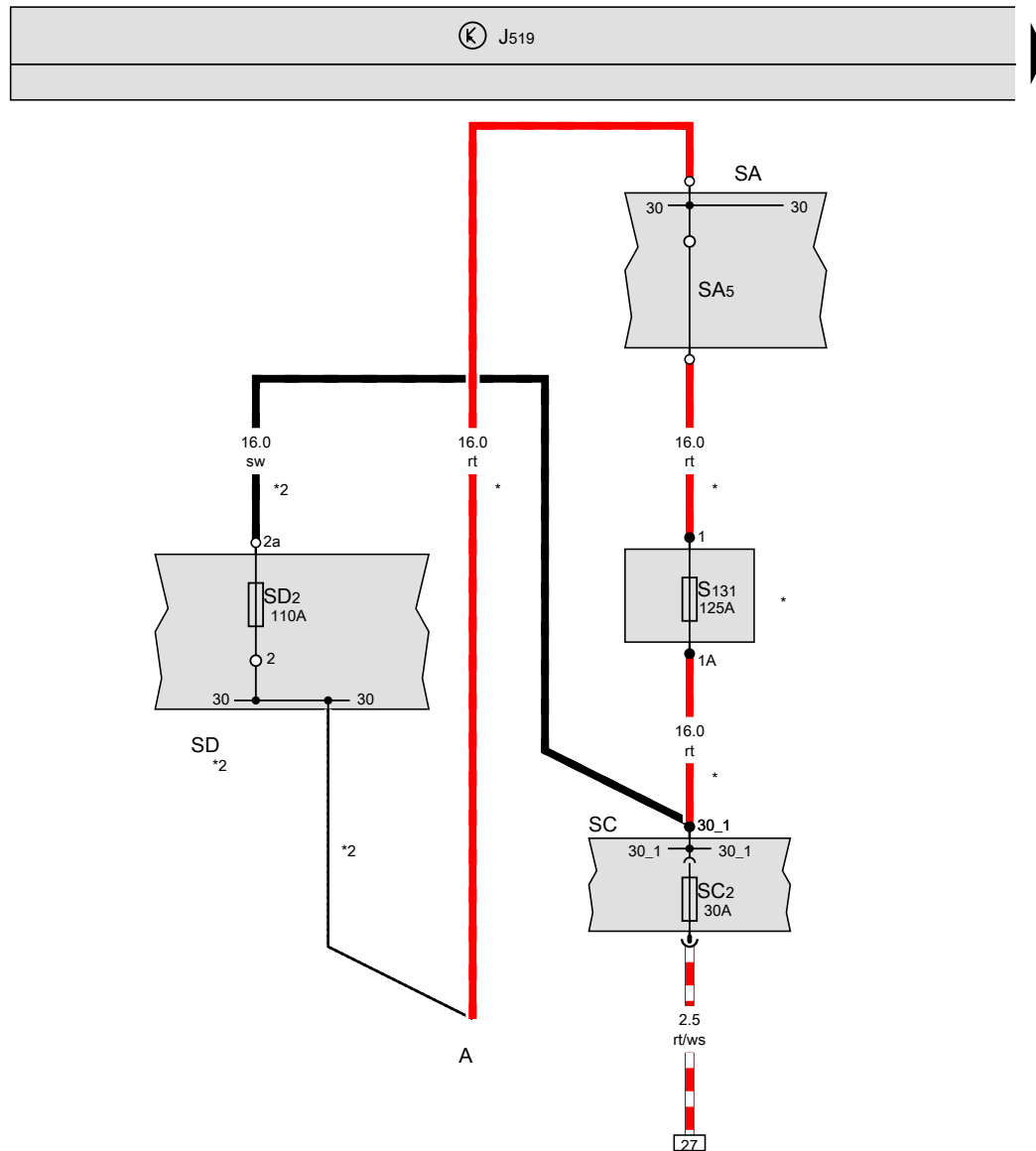
[NH0-034030515]

Central locking , (L0L)

From May 2015

Battery, Fuse holder A, Fuse holder C, Fuse holder D

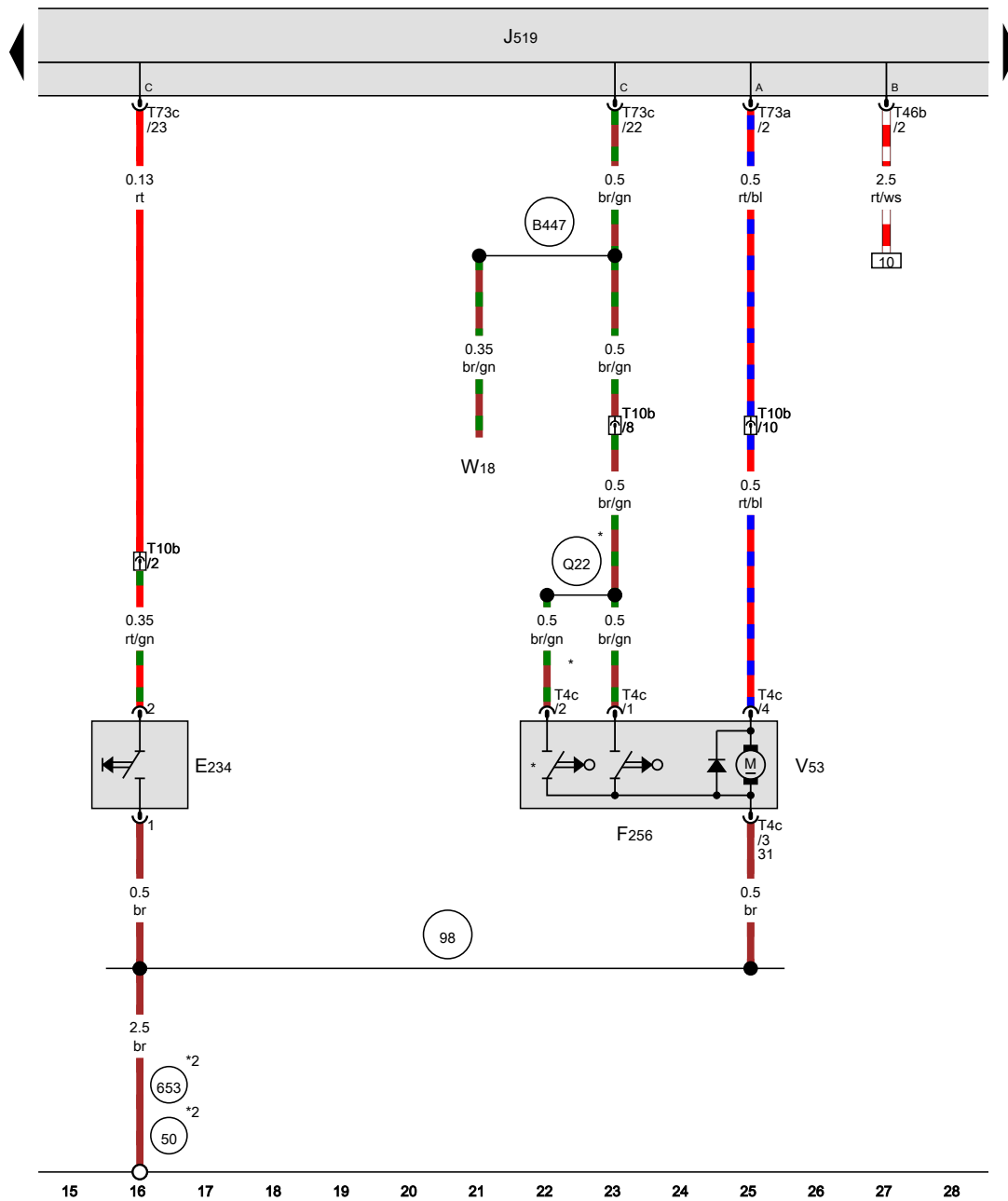
- A Battery
- J519 Onboard supply control unit
- SA Fuse holder A
- SC Fuse holder C
- SD2 Fuse 2 on fuse holder D
- SC2 Fuse 2 on fuse holder C
- SA5 Fuse 5 in fuse holder A
- S131 Fuse 1, in main wiring harness
- SD Fuse holder D
- * Only models with battery in engine compartment
- *2 Only models with battery in luggage compartment



- ws = white
- sw = black
- ro = red
- rt = red
- br = brown
- gn = green
- bl = blue
- gr = grey
- li = purple
- vi = purple
- ge = yellow
- or = orange
- rs = pink

1 2 3 4 5 6 7 8 9 10 11 12 13 14

[NH0-035020216]



Rear lid handle release button, Rear lid lock unit, Rear lid central locking motor

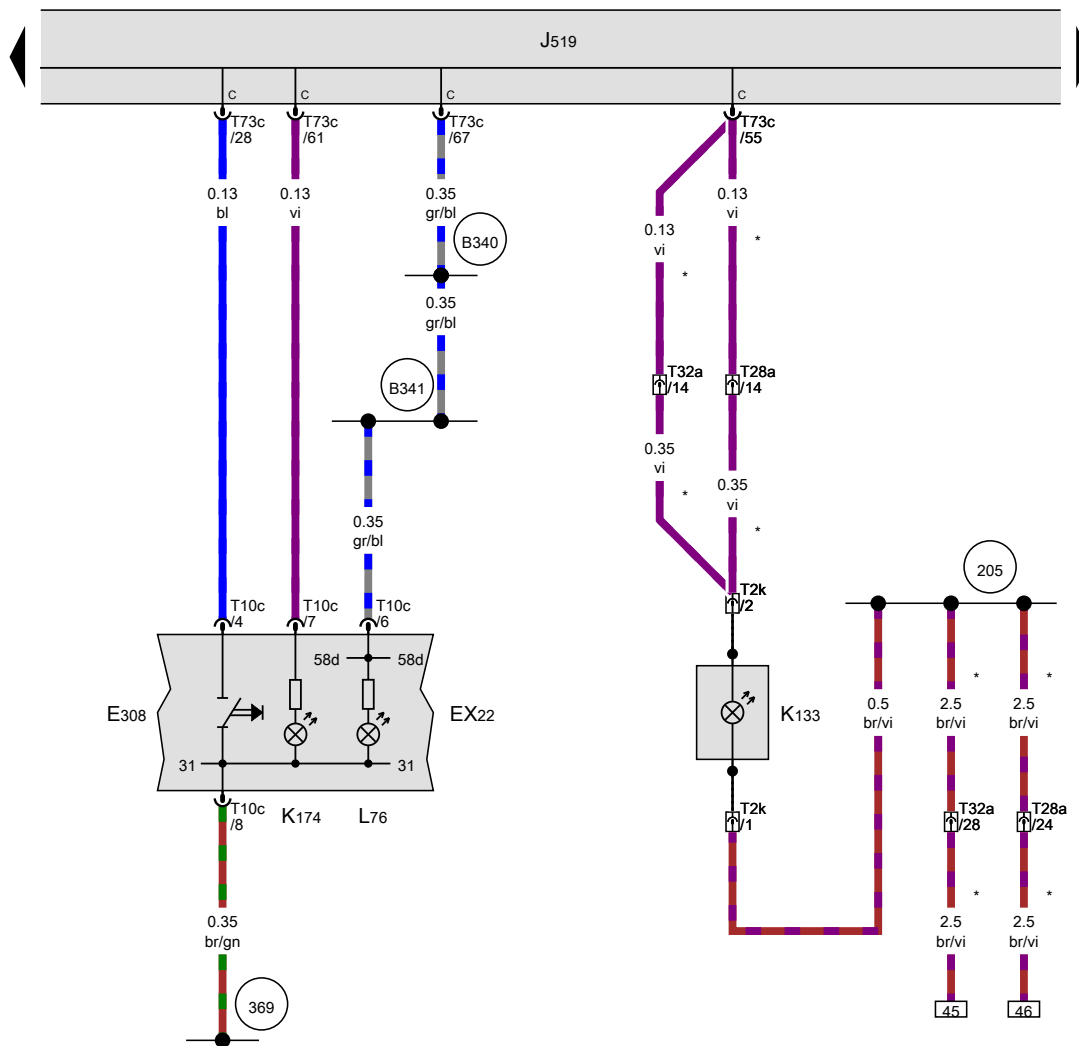
- E234 Rear lid handle release button
- F256 Rear lid lock unit
- J519 Onboard supply control unit
- T4c 4-pin connector
- T10b 10-pin connector
- T46b 46-pin connector, brown
- T73a 73-pin connector, black
- T73c 73-pin connector, black
- V53 Rear lid central locking motor
- W18 Luggage compartment light on left

- 50 Earth point, on left in luggage compartment
- 98 Earth connection, in rear lid wiring harness
- 653 Earth point, on left D-pillar
- B447 Connection (luggage compartment light), in main wiring harness
- Q22 Connection 1, in rear lid wiring harness

* According to equipment
 *2 see fitting locations

- ws = white
- sw = black
- ro = red
- rt = red
- br = brown
- gn = green
- bl = blue
- gr = grey
- li = purple
- vi = purple
- ge = yellow
- or = orange
- rs = pink

[NH0-035030216]



Centre switch module in dash panel, Driver side interior locking button for central locking system, Central locking SAFELOCK function warning lamp

- EX22 Centre switch module in dash panel
- E308 Driver side interior locking button for central locking system
- J519 Onboard supply control unit
- K133 Central locking SAFELOCK function warning lamp
- K174 Driver side interior locking warning lamp
- L76 Button illumination bulb
- T2k 2-pin connector, in driver door
- T10c 10-pin connector, black
- T28a 28-pin connector, on left A-pillar
- T32a 32-pin connector, on left A-pillar
- T73c 73-pin connector, black

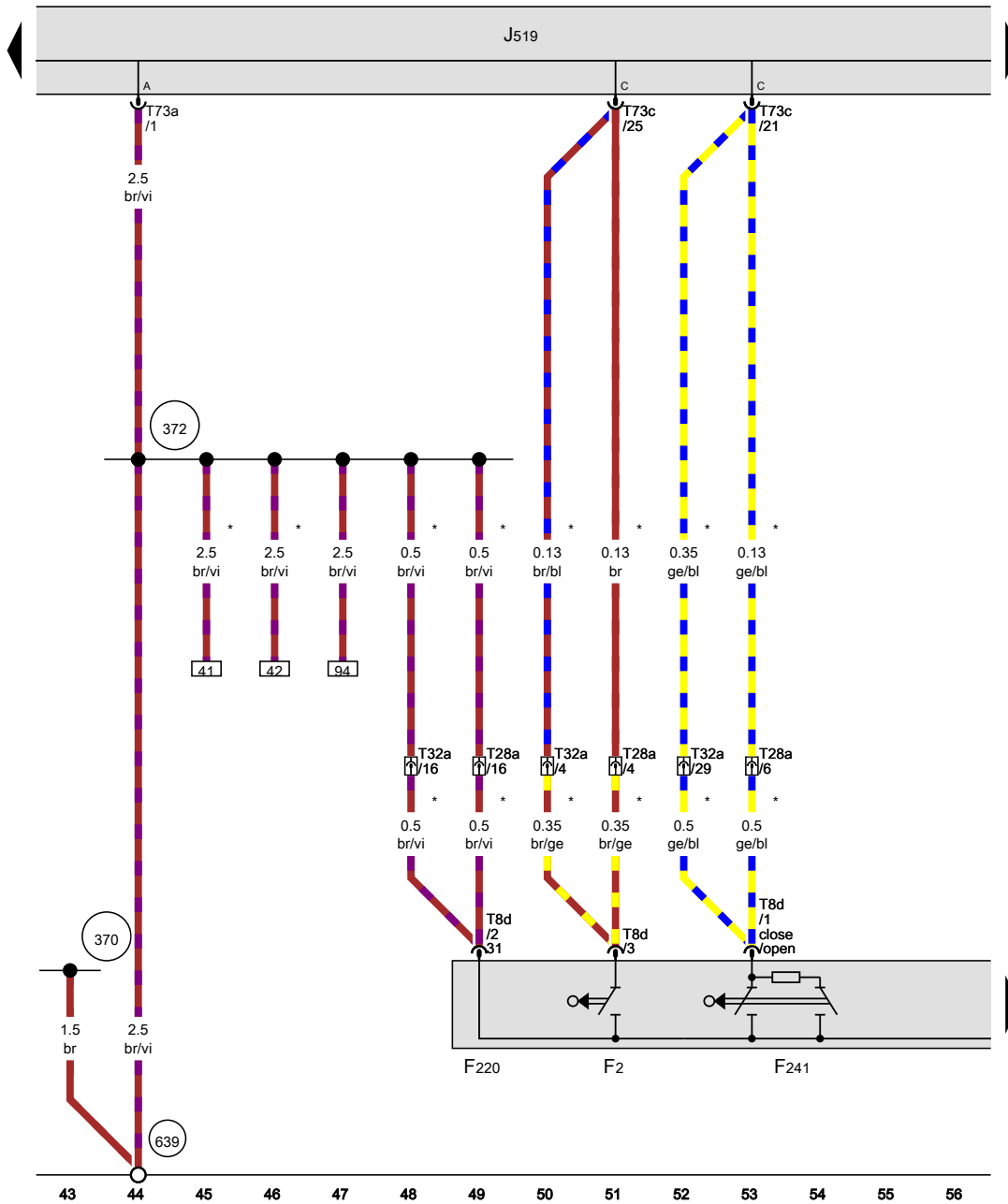
- 205 Earth connection, in driver door wiring harness
- 369 Earth connection 4, in main wiring harness
- B340 Connection 1 (58d), in main wiring harness
- B341 Connection 2 (58d), in main wiring harness
- * According to equipment

- ws = white
- sw = black
- ro = red
- rt = red
- br = brown
- gn = green
- bl = blue
- gr = grey
- li = purple
- vi = purple
- ge = yellow
- or = orange
- rs = pink

29 30 31 32 33 34 35 36 37 38 39 40 41 42

1NH0-0350402161

Driver side central locking lock unit



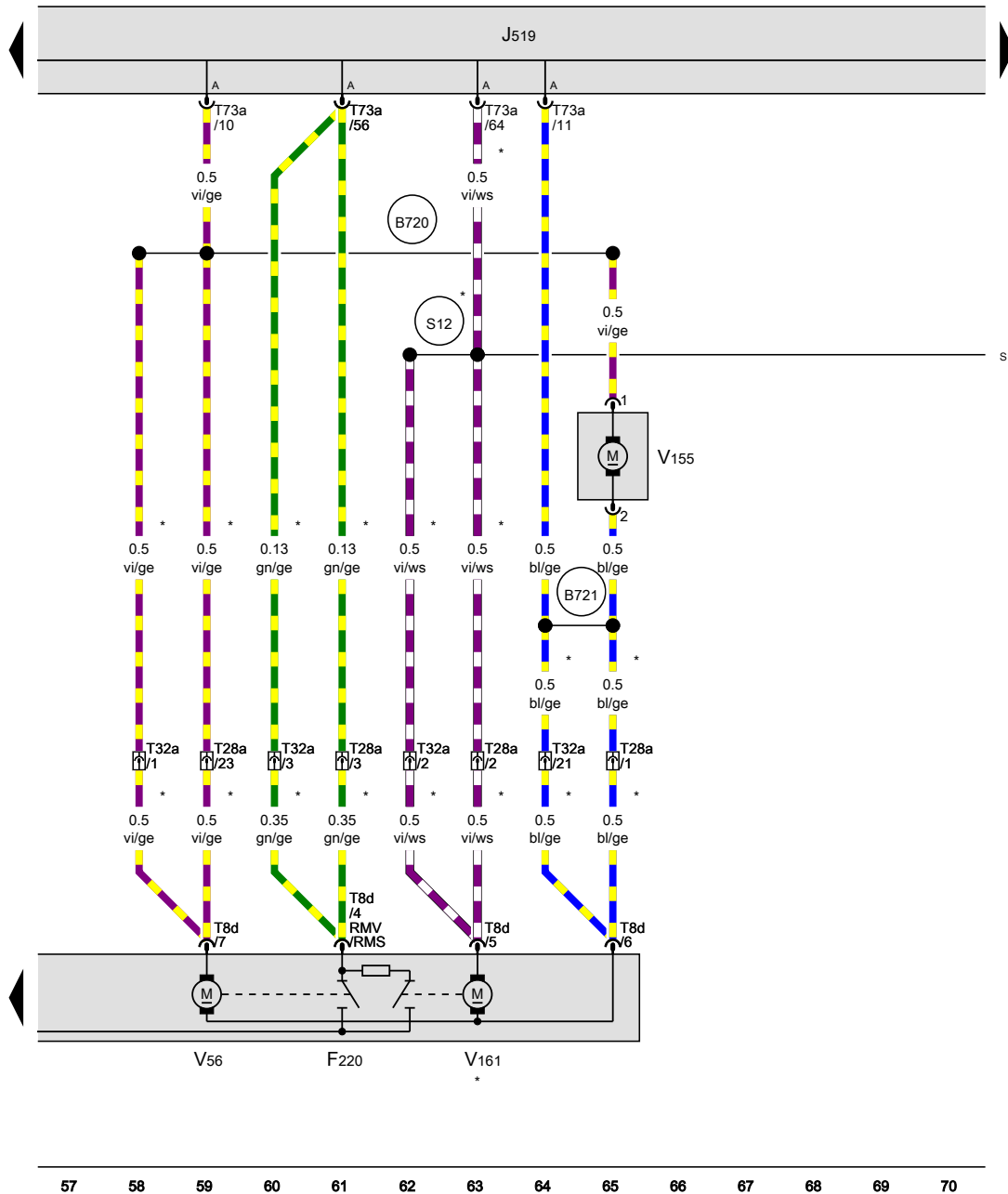
- F2 Driver door contact switch
- F220 Driver side central locking lock unit
- F241 Driver side contact switch in lock cylinder
- J519 Onboard supply control unit
- T8d 8-pin connector
- T28a 28-pin connector, on left A-pillar
- T32a 32-pin connector, on left A-pillar
- T73a 73-pin connector, black
- T73c 73-pin connector, black

- 370 Earth connection 5, in main wiring harness
- 372 Earth connection 7, in main wiring harness
- 639 Earth point, left A-pillar
- * According to equipment

- ws = white
- sw = black
- ro = red
- rt = red
- br = brown
- gn = green
- bl = blue
- gr = grey
- li = purple
- vi = purple
- ge = yellow
- or = orange
- rs = pink

[NH0-035050216]

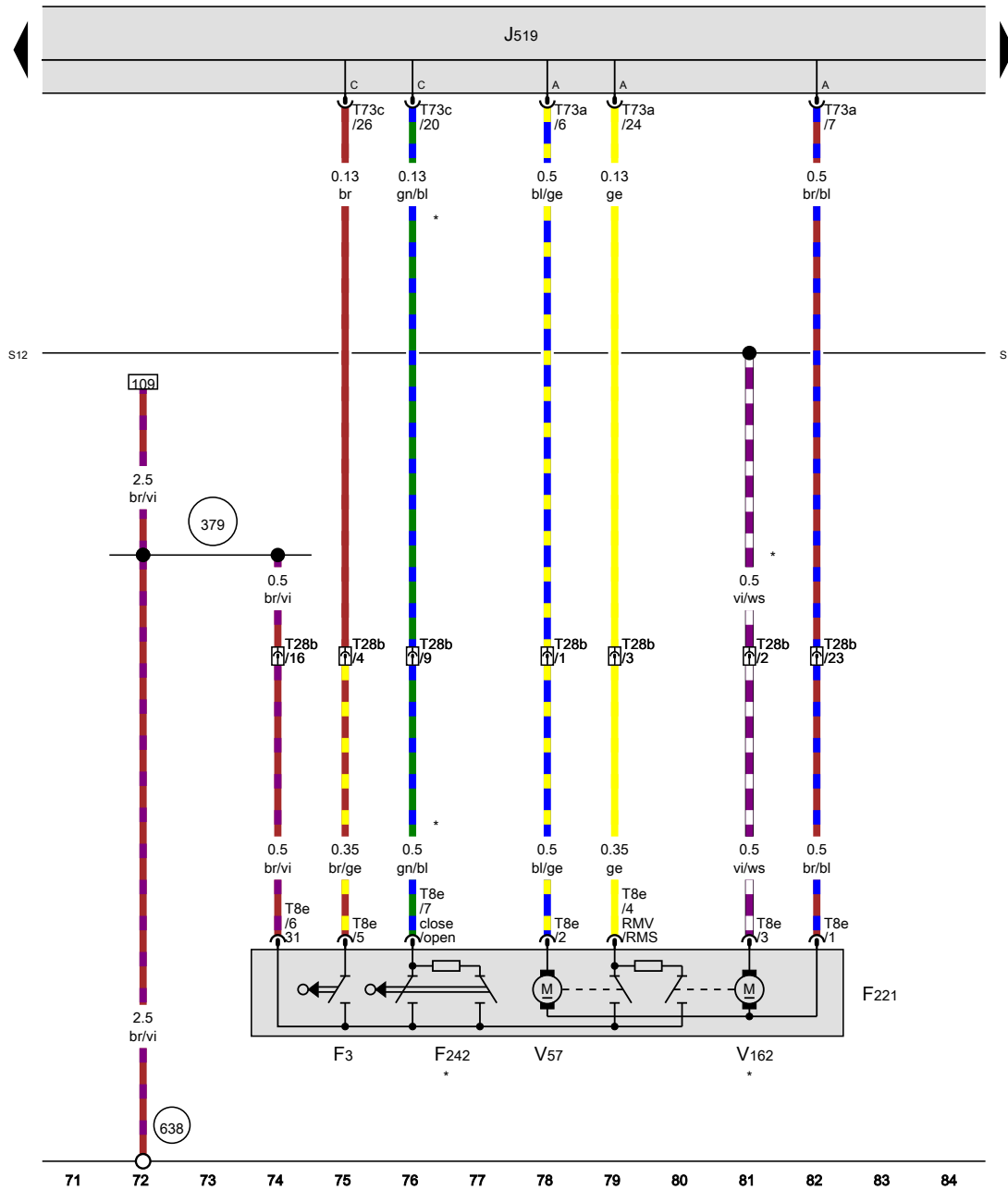
Driver side central locking lock unit, Tank filler flap locking motor



- F220 Driver side central locking lock unit
- J519 Onboard supply control unit
- T8d 8-pin connector
- T28a 28-pin connector, on left A-pillar
- T32a 32-pin connector, on left A-pillar
- T73a 73-pin connector, black
- V56 Driver door central locking motor
- V155 Tank filler flap locking motor
- V161 Driver door central locking SAFELock function motor
- B720 Connection 1 (central locking), in main wiring harness
- B721 Connection 2 (central locking), in main wiring harness
- S12 Connection (SAFE 1), in central locking wiring harness
- * According to equipment

- ws = white
- sw = black
- ro = red
- rt = red
- br = brown
- gn = green
- bl = blue
- gr = grey
- li = purple
- vi = purple
- ge = yellow
- or = orange
- rs = pink

Front passenger side central locking lock unit

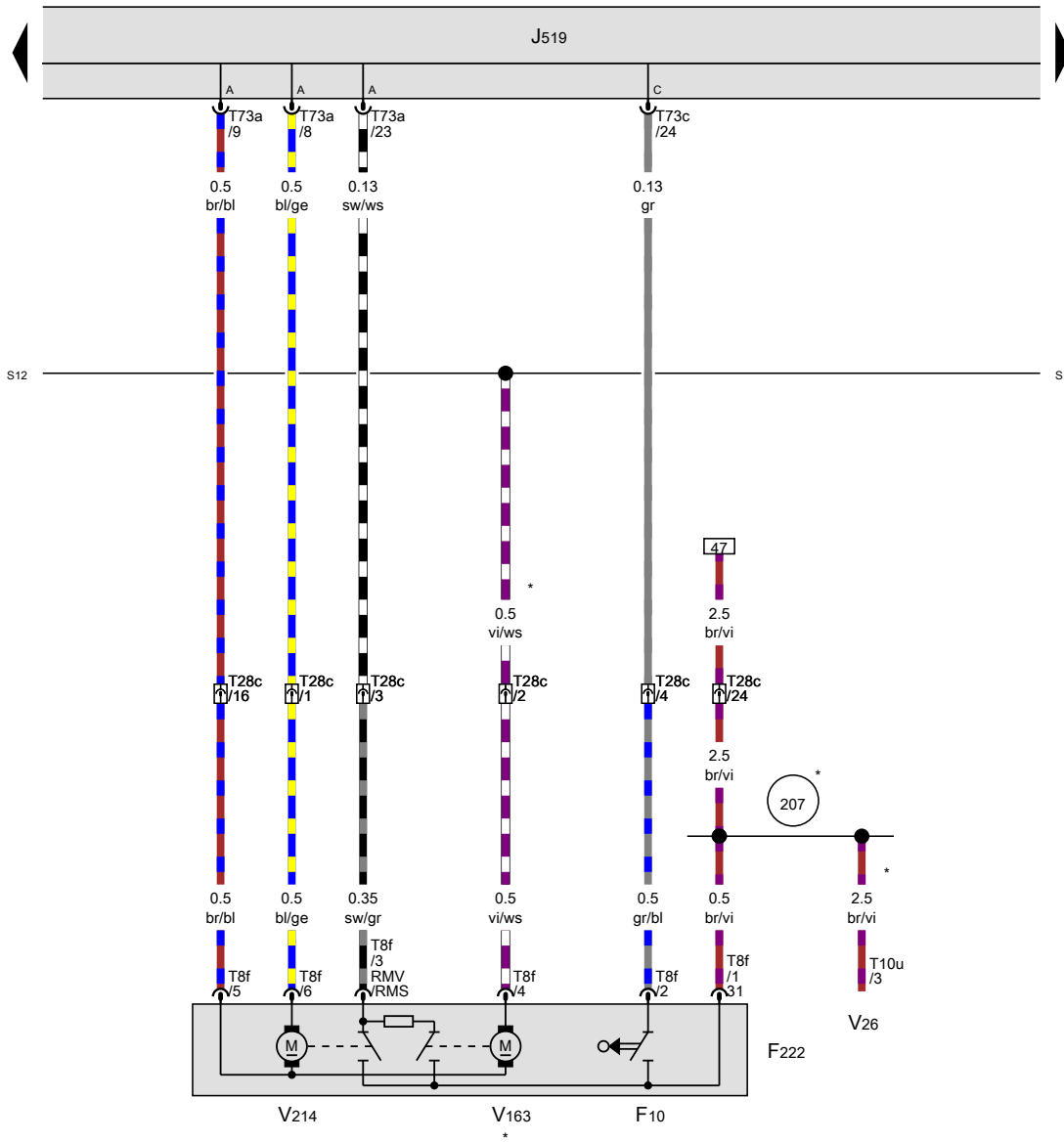


- F3 Front passenger door contact switch
- F221 Front passenger side central locking lock unit
- F242 Front passenger side contact switch in lock cylinder
- J519 Onboard supply control unit
- T8e 8-pin connector
- T28b 28-pin connector, on right A-pillar
- T73a 73-pin connector, black
- T73c 73-pin connector, black
- V57 Front passenger door central locking motor
- V162 Front passenger door central locking SAFELOCK function motor

- 379 Earth connection 14, in main wiring harness
- 638 Earth point, on right A-pillar
- S12 Connection (SAFE 1), in central locking wiring harness
- * According to equipment

- ws = white
- sw = black
- ro = red
- rt = red
- br = brown
- gn = green
- bl = blue
- gr = grey
- li = purple
- vi = purple
- ge = yellow
- or = orange
- rs = pink

1NH0-0350702161



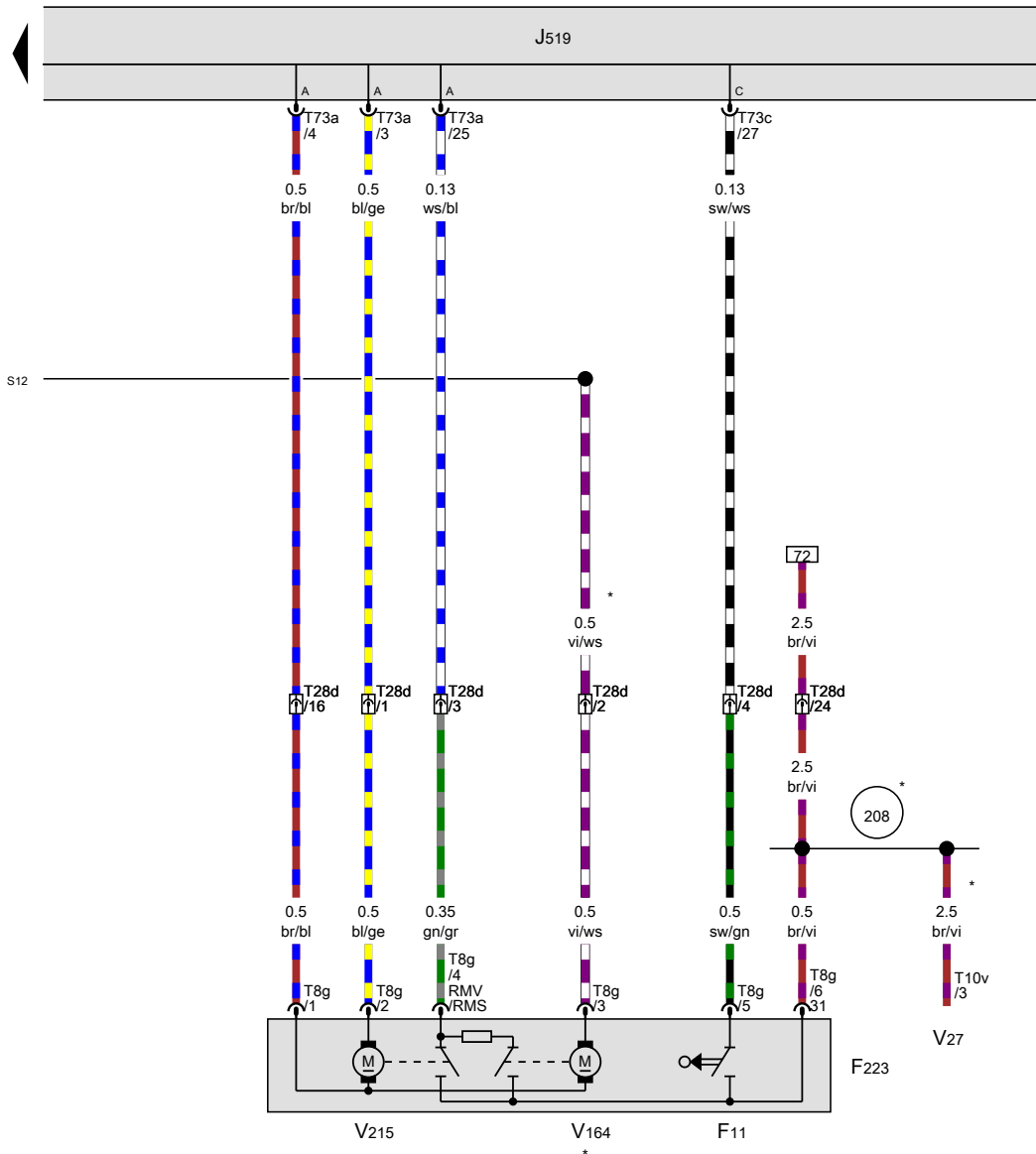
Rear left central locking lock unit

- F10 Rear left door contact switch
- F222 Rear left central locking lock unit
- J519 Onboard supply control unit
- T8f 8-pin connector
- T10u 10-pin connector
- T28c 28-pin connector, on left B-pillar
- T73a 73-pin connector, black
- T73c 73-pin connector, black
- V26 Rear left window regulator motor
- V163 Rear left door central locking SAFELOCK function motor
- V214 Rear left door central locking motor, lock

- (207) Earth connection, in rear left door wiring harness
- (S12) Connection (SAFE 1), in central locking wiring harness
- * According to equipment

- ws = white
- sw = black
- ro = red
- rt = red
- br = brown
- gn = green
- bl = blue
- gr = grey
- li = purple
- vi = purple
- ge = yellow
- or = orange
- rs = pink

Rear right central locking lock unit



- F11 Rear right door contact switch
- F223 Rear right central locking lock unit
- J519 Onboard supply control unit
- T8g 8-pin connector
- T10v 10-pin connector
- T28d 28-pin connector, on right B-pillar
- T73a 73-pin connector, black
- T73c 73-pin connector, black
- V27 Rear right window regulator motor
- V164 Rear right door central SAFELOCK function locking motor
- V215 Rear right door central locking motor, lock
- 208 Earth connection, in rear right door wiring harness
- S12 Connection (SAFE 1), in central locking wiring harness
- * According to equipment

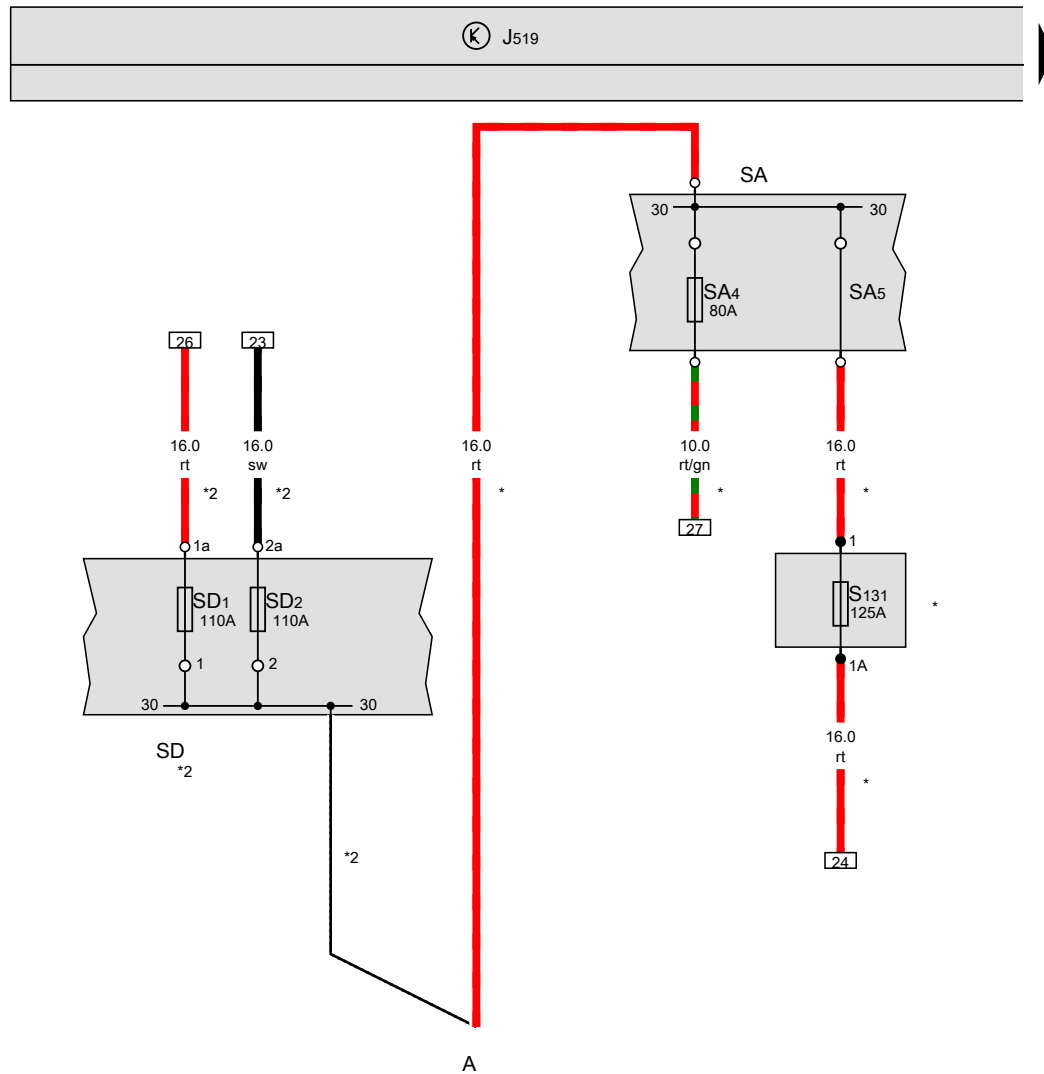
- ws = white
- sw = black
- ro = red
- rt = red
- br = brown
- gn = green
- bl = blue
- gr = grey
- li = purple
- vi = purple
- ge = yellow
- or = orange
- rs = pink

Convenience system with rear manually operated window regulators , (L0L)

From May 2015

Battery, Fuse holder A, Fuse holder D

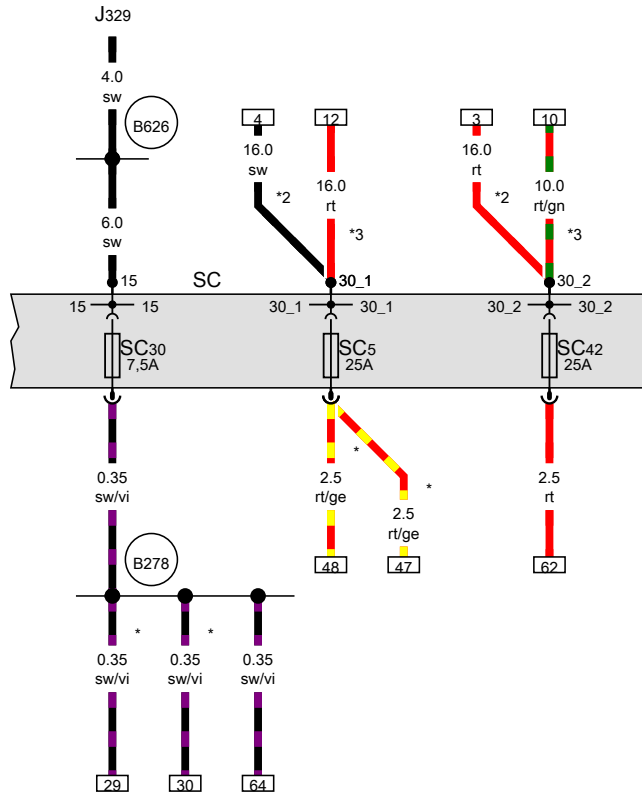
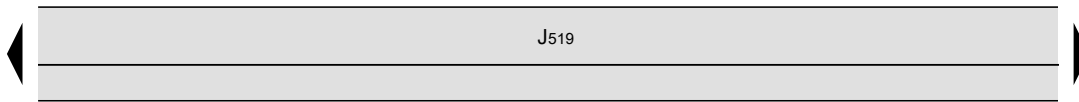
- A Battery
- J519 Onboard supply control unit
- SA Fuse holder A
- SD Fuse holder D
- SD1 Fuse 1 on fuse holder D
- SD2 Fuse 2 on fuse holder D
- SA4 Fuse 4 in fuse holder A
- SA5 Fuse 5 in fuse holder A
- S131 Fuse 1, in main wiring harness
- * Only models with battery in engine compartment
- *2 Only models with battery in luggage compartment



- ws = white
- sw = black
- ro = red
- rt = red
- br = brown
- gn = green
- bl = blue
- gr = grey
- li = purple
- vi = purple
- ge = yellow
- or = orange
- rs = pink

1 2 3 4 5 6 7 8 9 10 11 12 13 14

[NH0-036020216]



Fuse holder C

- J329 Terminal 15 voltage supply relay
- J519 Onboard supply control unit
- SC Fuse holder C
- SC5 Fuse 5 on fuse holder C
- SC30 Fuse 30 on fuse holder C
- SC42 Fuse 42 on fuse holder C

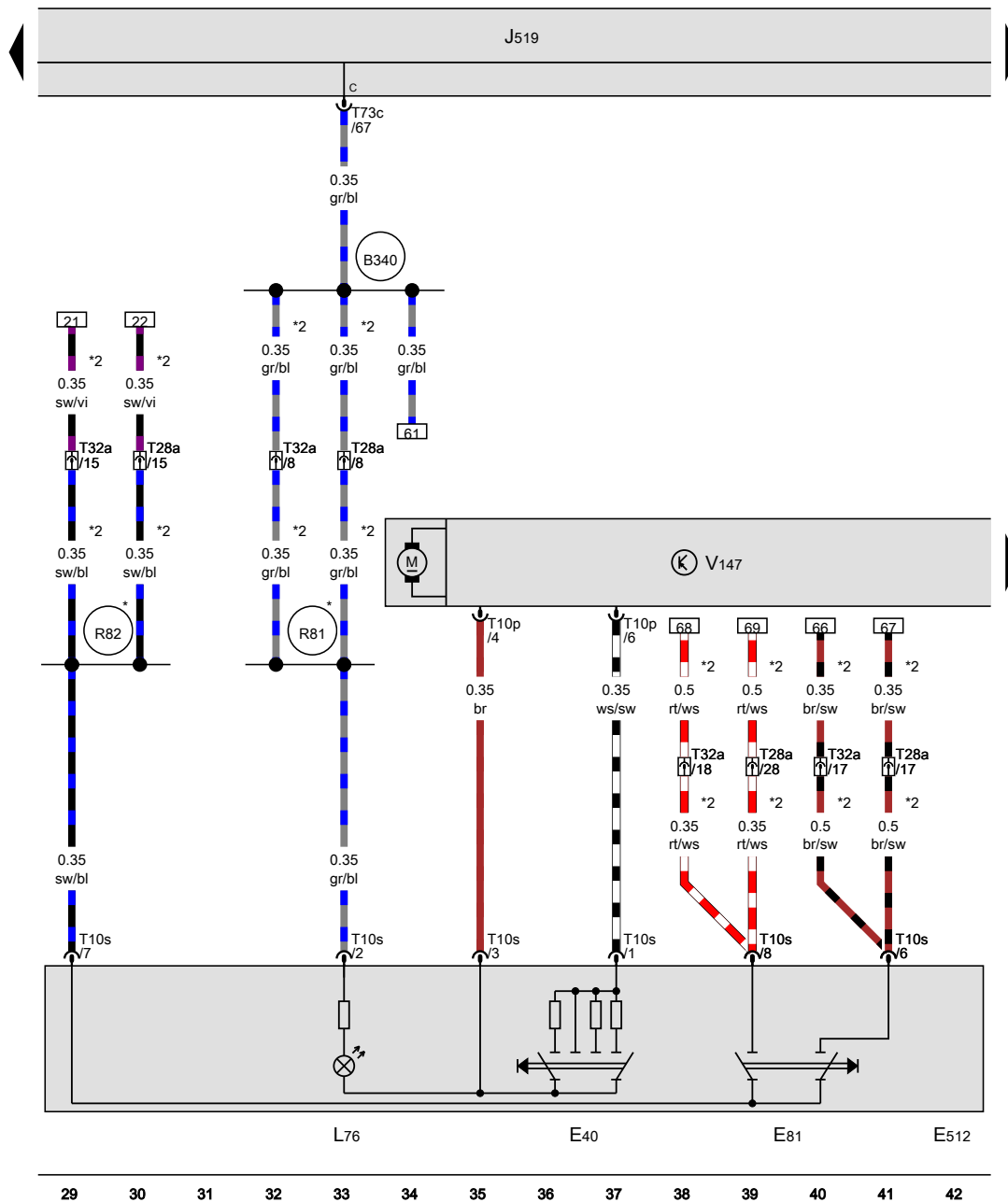
B278 Positive connection 2 (15a) in main wiring harness

B626 Positive connection 2 (15), in main wiring harness

* According to equipment

*2 Only models with battery in luggage compartment

*3 Only models with battery in engine compartment



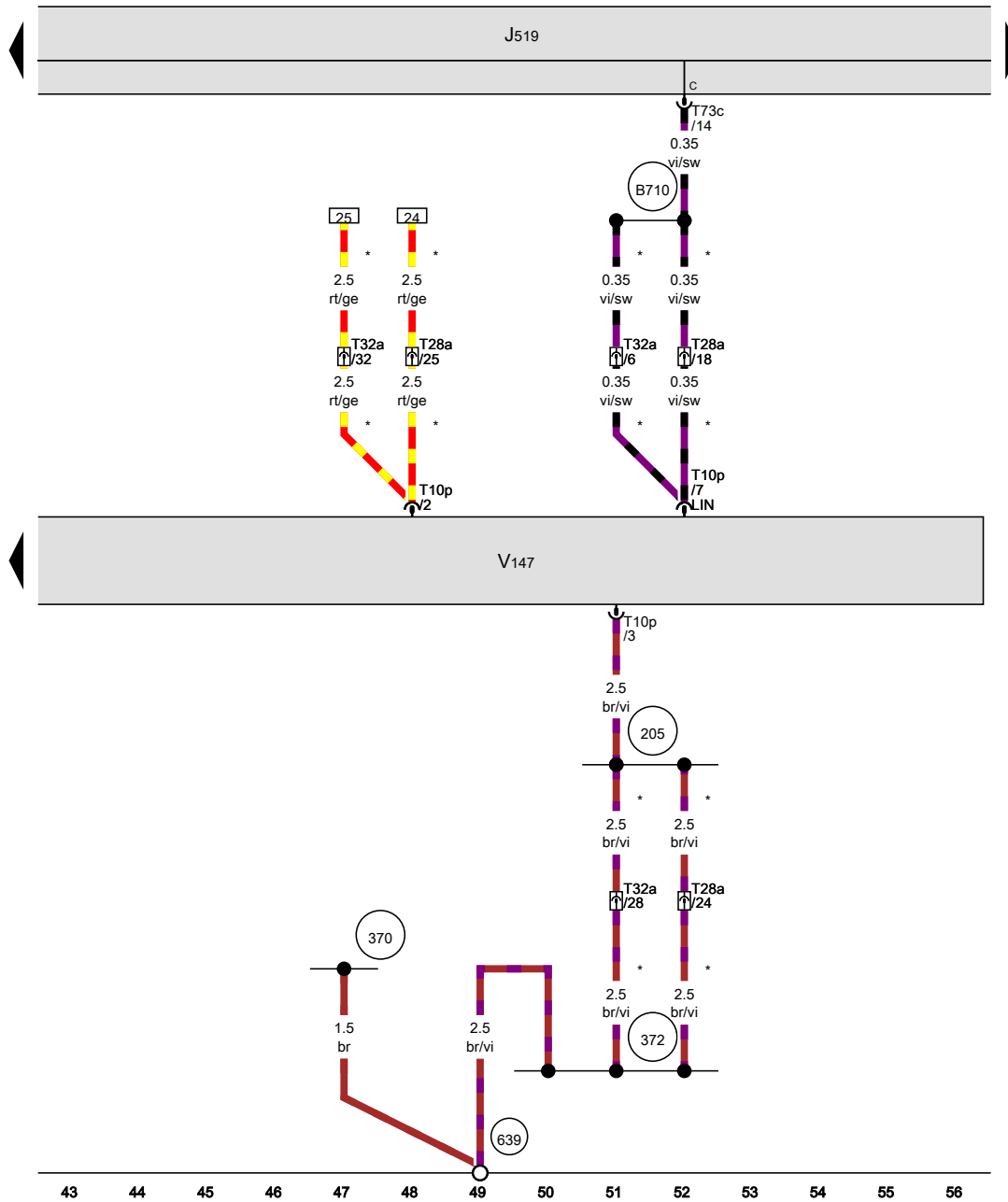
Operating unit for window regulator in driver door, Driver side window regulator motor

- E40 Front left window regulator switch
- E81 Front right window regulator switch in driver door
- E512 Operating unit for window regulator in driver door
- J519 Onboard supply control unit
- L76 Button illumination bulb
- T10p 10-pin connector
- T10s 10-pin connector
- T28a 28-pin connector, on left A-pillar
- T32a 32-pin connector, on left A-pillar
- T73c 73-pin connector, black
- V147 Driver side window regulator motor

- B340** Connection 1 (58d), in main wiring harness
- R81** Connection 1 (58d), in driver side door wiring harness
- R82** Positive connection 1 (15a), in driver side door wiring harness
- * Only models with electrically adjustable exterior mirrors
- *2 According to equipment

- ws = white
- sw = black
- ro = red
- rt = red
- br = brown
- gn = green
- bl = blue
- gr = grey
- li = purple
- vi = purple
- ge = yellow
- or = orange
- rs = pink

1NH0-0360402161



Driver side window regulator motor

- J519 Onboard supply control unit
- T10p 10-pin connector
- T28a 28-pin connector, on left A-pillar
- T32a 32-pin connector, on left A-pillar
- T73c 73-pin connector, black
- V147 Driver side window regulator motor

- (205) Earth connection, in driver door wiring harness
- (370) Earth connection 5, in main wiring harness
- (372) Earth connection 7, in main wiring harness
- (639) Earth point, left A-pillar
- (B710) Connection 5 (LIN bus) in main wiring harness

* According to equipment

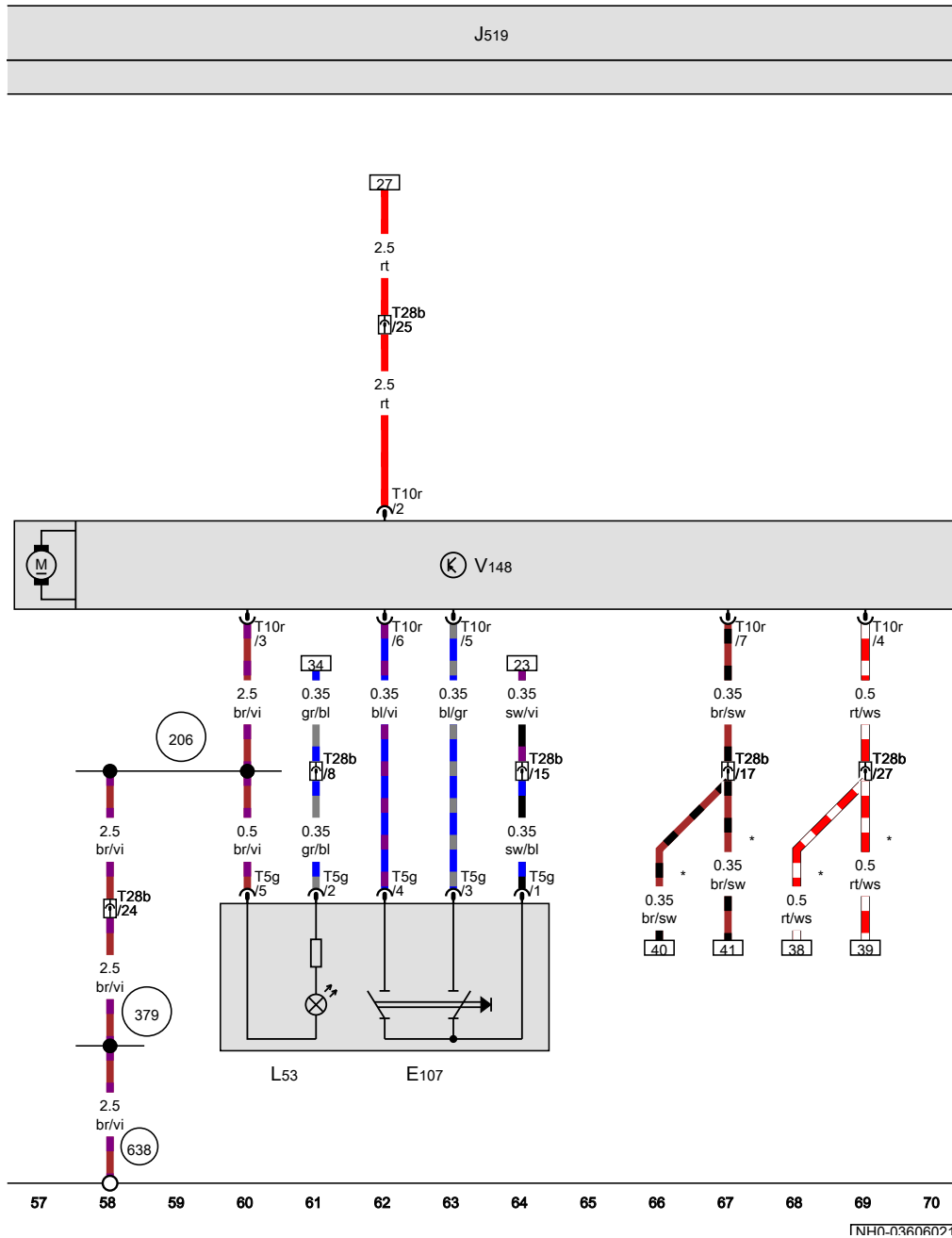
- ws = white
- sw = black
- ro = red
- rt = red
- br = brown
- gn = green
- bl = blue
- gr = grey
- li = purple
- vi = purple
- ge = yellow
- or = orange
- rs = pink

[NH0-036050216]

Window regulator switch in front passenger door, Front passenger side window regulator motor

- E107 Window regulator switch in front passenger door
- J519 Onboard supply control unit
- L53 Window regulator switch illumination bulb
- T5g 5-pin connector
- T10r 10-pin connector
- T28b 28-pin connector, on right A-pillar
- V148 Front passenger side window regulator motor

- 206 Earth connection, in front passenger door wiring harness
- 379 Earth connection 14, in main wiring harness
- 638 Earth point, on right A-pillar
- * According to equipment



- ws = white
- sw = black
- ro = red
- rt = red
- br = brown
- gn = green
- bl = blue
- gr = grey
- li = purple
- vi = purple
- ge = yellow
- or = orange
- rs = pink

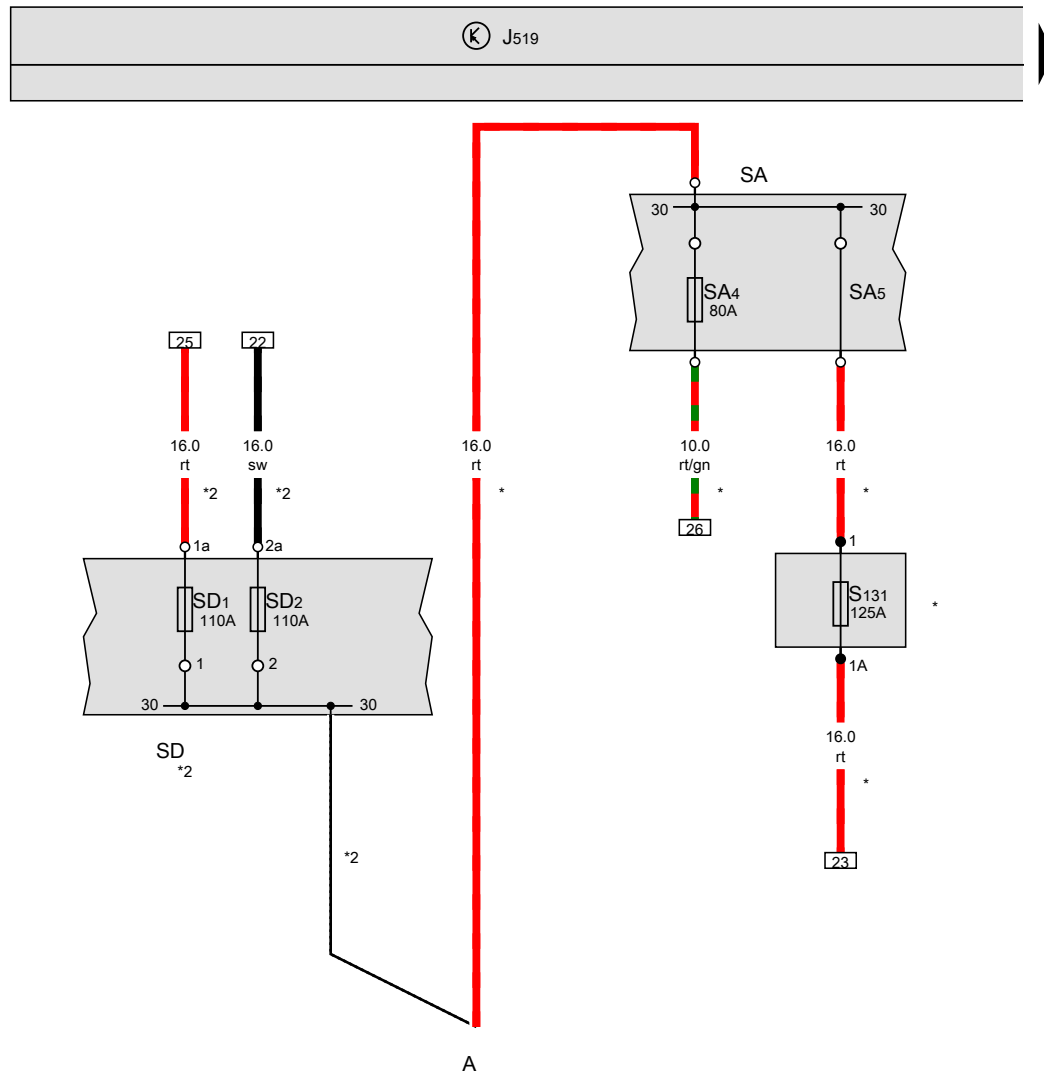
[NH0-036060216]

Convenience system with electric window regulators , (L0L)

From May 2015

Battery, Fuse holder A, Fuse holder D

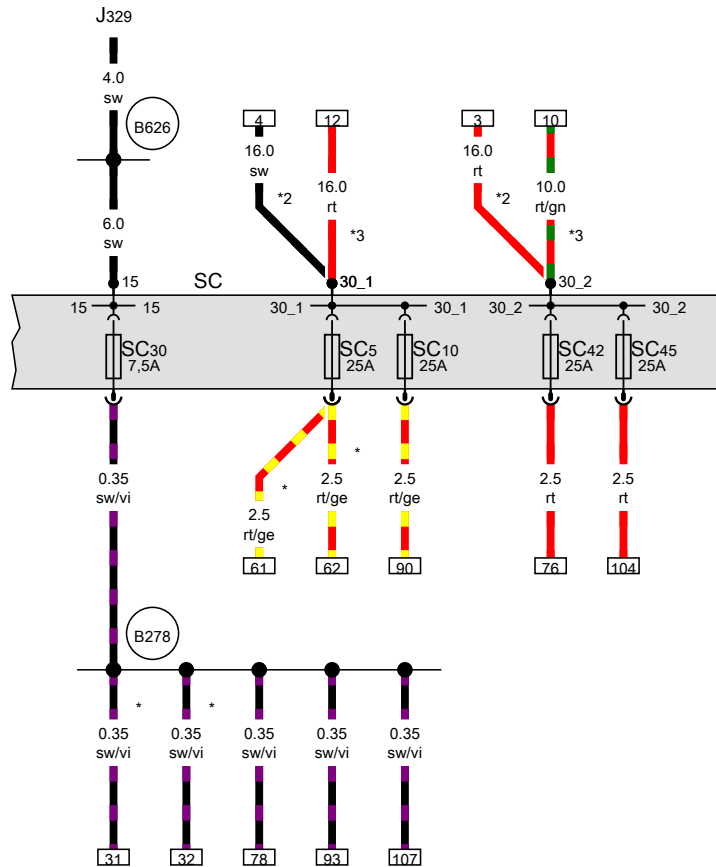
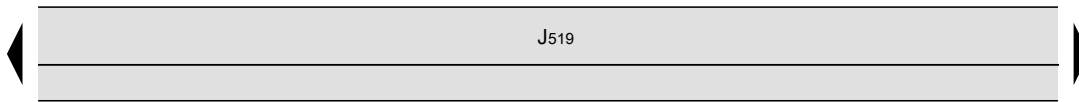
- A Battery
- J519 Onboard supply control unit
- SA Fuse holder A
- SD Fuse holder D
- SD1 Fuse 1 on fuse holder D
- SD2 Fuse 2 on fuse holder D
- SA4 Fuse 4 in fuse holder A
- SA5 Fuse 5 in fuse holder A
- S131 Fuse 1, in main wiring harness
- * Only models with battery in engine compartment
- *2 Only models with battery in luggage compartment



- ws = white
- sw = black
- ro = red
- rt = red
- br = brown
- gn = green
- bl = blue
- gr = grey
- li = purple
- vi = purple
- ge = yellow
- or = orange
- rs = pink

1 2 3 4 5 6 7 8 9 10 11 12 13 14

[NH0-037020216]



Fuse holder C

- J329 Terminal 15 voltage supply relay
- J519 Onboard supply control unit
- SC Fuse holder C
- SC5 Fuse 5 on fuse holder C
- SC10 Fuse 10 on fuse holder C
- SC30 Fuse 30 on fuse holder C
- SC42 Fuse 42 on fuse holder C
- SC45 Fuse 45 on fuse holder C

B278 Positive connection 2 (15a) in main wiring harness

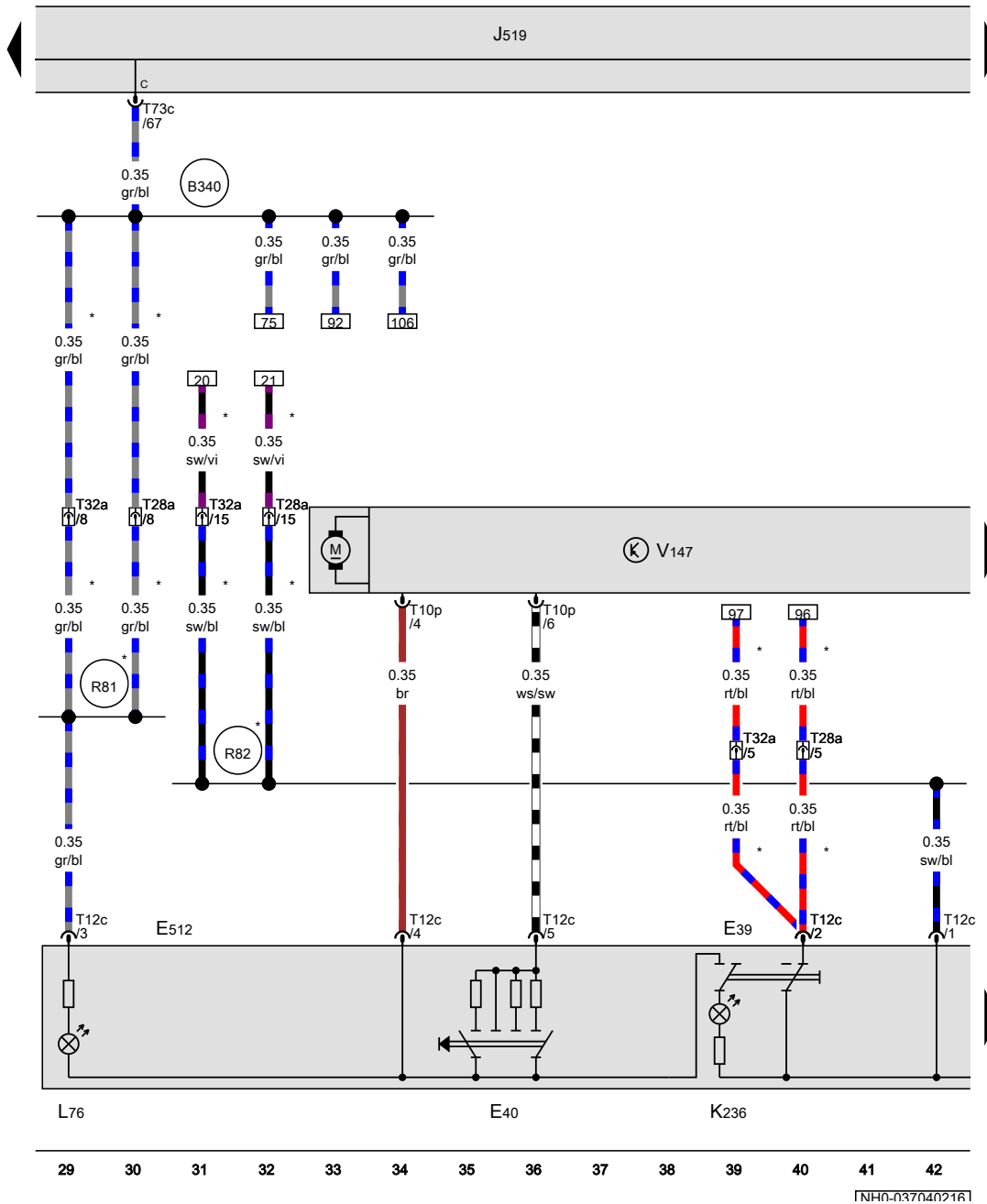
B626 Positive connection 2 (15), in main wiring harness

- * According to equipment
- *2 Only models with battery in luggage compartment
- *3 Only models with battery in engine compartment

- ws = white
- sw = black
- ro = red
- rt = red
- br = brown
- gn = green
- bl = blue
- gr = grey
- li = purple
- vi = purple
- ge = yellow
- or = orange
- rs = pink

15 16 17 18 19 20 21 22 23 24 25 26 27 28

[NH0-037030216]



Operating unit for window regulator in driver door, Driver side window regulator motor

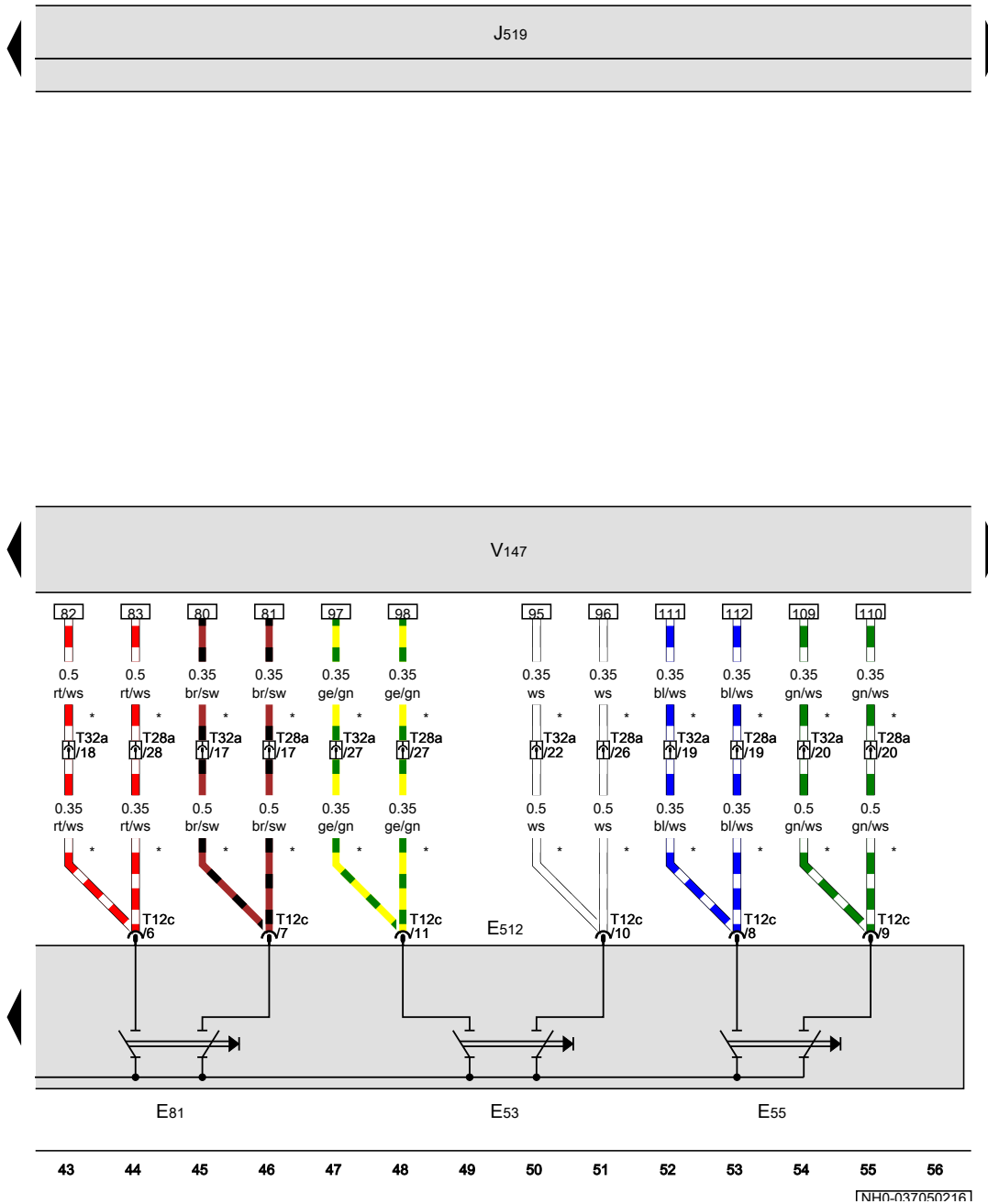
- E39 Rear window regulator isolation switch
- E40 Front left window regulator switch
- E512 Operating unit for window regulator in driver door
- J519 Onboard supply control unit
- K236 Warning light for activated childproof lock
- L76 Button illumination bulb
- T10p 10-pin connector
- T12c 12-pin connector
- T28a 28-pin connector, on left A-pillar
- T32a 32-pin connector, on left A-pillar
- T73c 73-pin connector, black
- V147 Driver side window regulator motor

- B340 Connection 1 (58d), in main wiring harness
- R81 Connection 1 (58d), in driver side door wiring harness
- R82 Positive connection 1 (15a), in driver side door wiring harness
- * According to equipment

- ws = white
- sw = black
- ro = red
- rt = red
- br = brown
- gn = green
- bl = blue
- gr = grey
- li = purple
- vi = purple
- ge = yellow
- or = orange
- rs = pink

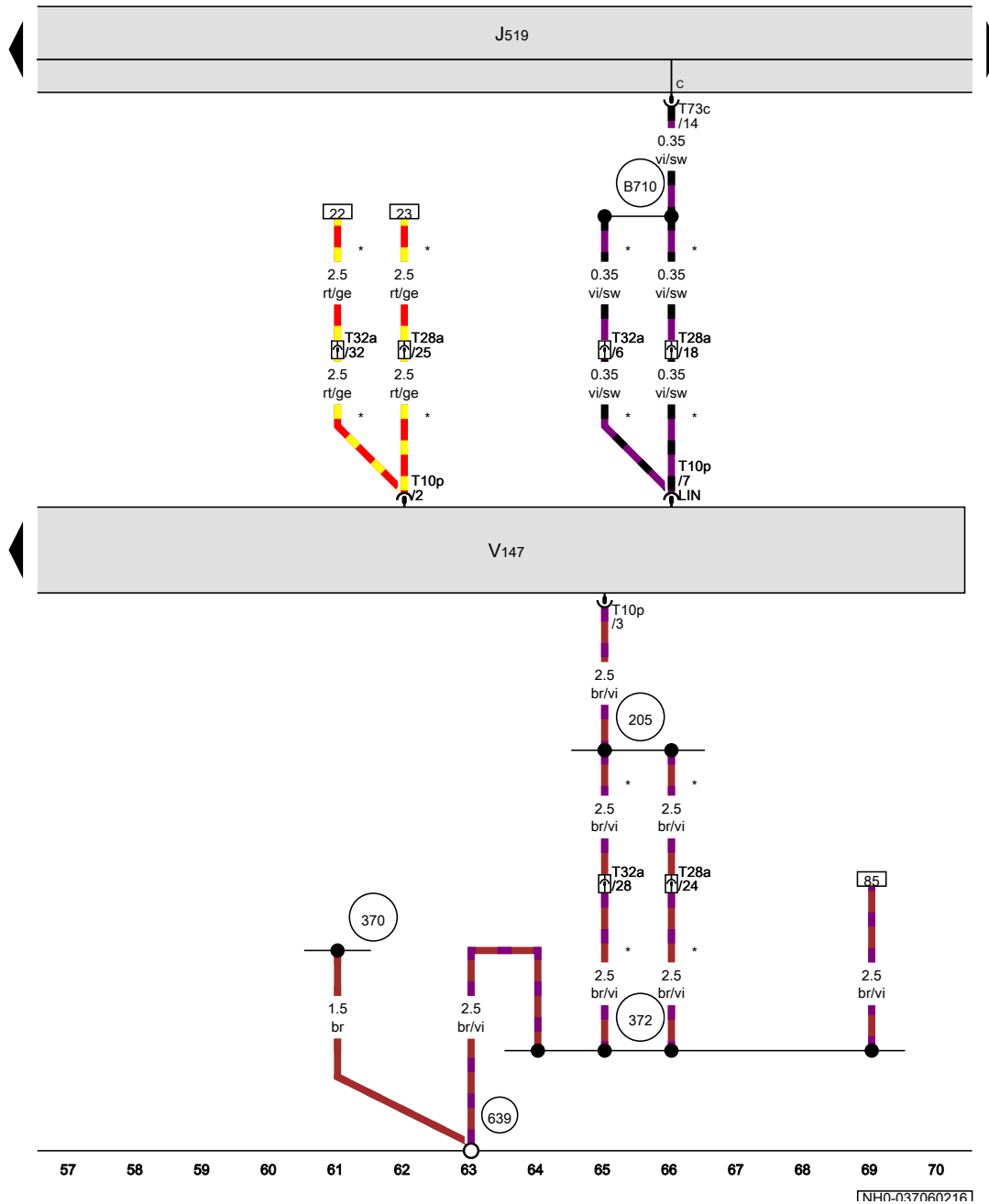
Operating unit for window regulator in driver door, Driver side window regulator motor

- E53 Rear left window regulator switch, in driver door
- E55 Rear right window regulator switch, in driver door
- E81 Front right window regulator switch in driver door
- E512 Operating unit for window regulator in driver door
- J519 Onboard supply control unit
- T12c 12-pin connector
- T28a 28-pin connector, on left A-pillar
- T32a 32-pin connector, on left A-pillar
- V147 Driver side window regulator motor
- * According to equipment



- ws = white
- sw = black
- ro = red
- rt = red
- br = brown
- gn = green
- bl = blue
- gr = grey
- li = purple
- vi = purple
- ge = yellow
- or = orange
- rs = pink

[NH0-037050216]



Driver side window regulator motor

- J519 Onboard supply control unit
- T10p 10-pin connector
- T28a 28-pin connector, on left A-pillar
- T32a 32-pin connector, on left A-pillar
- T73c 73-pin connector, black
- V147 Driver side window regulator motor

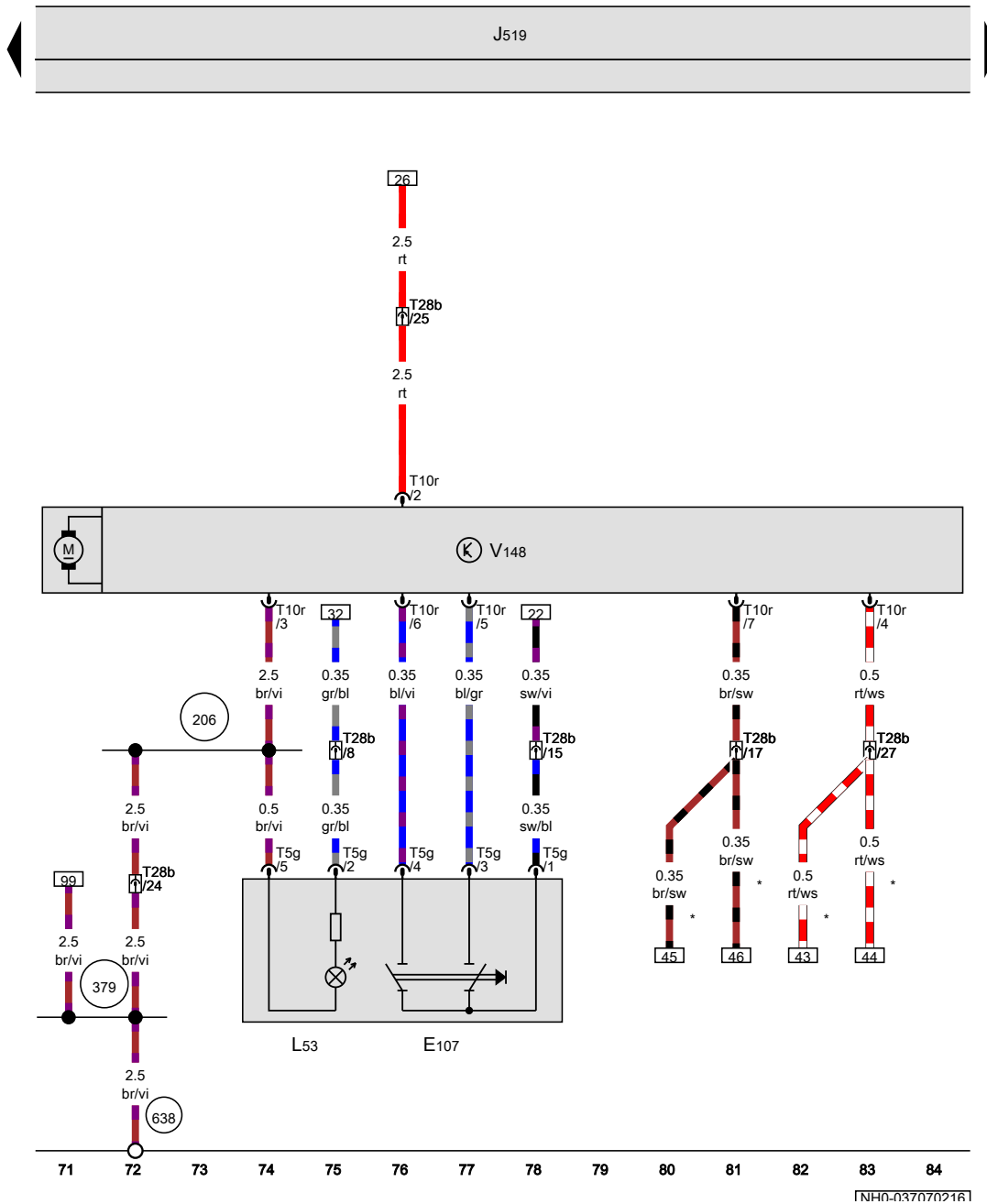
- (205) Earth connection, in driver door wiring harness
- (370) Earth connection 5, in main wiring harness
- (372) Earth connection 7, in main wiring harness
- (639) Earth point, left A-pillar
- (B710) Connection 5 (LIN bus) in main wiring harness
- * According to equipment

- ws = white
- sw = black
- ro = red
- rt = red
- br = brown
- gn = green
- bl = blue
- gr = grey
- li = purple
- vi = purple
- ge = yellow
- or = orange
- rs = pink

Window regulator switch in front passenger door, Front passenger side window regulator motor

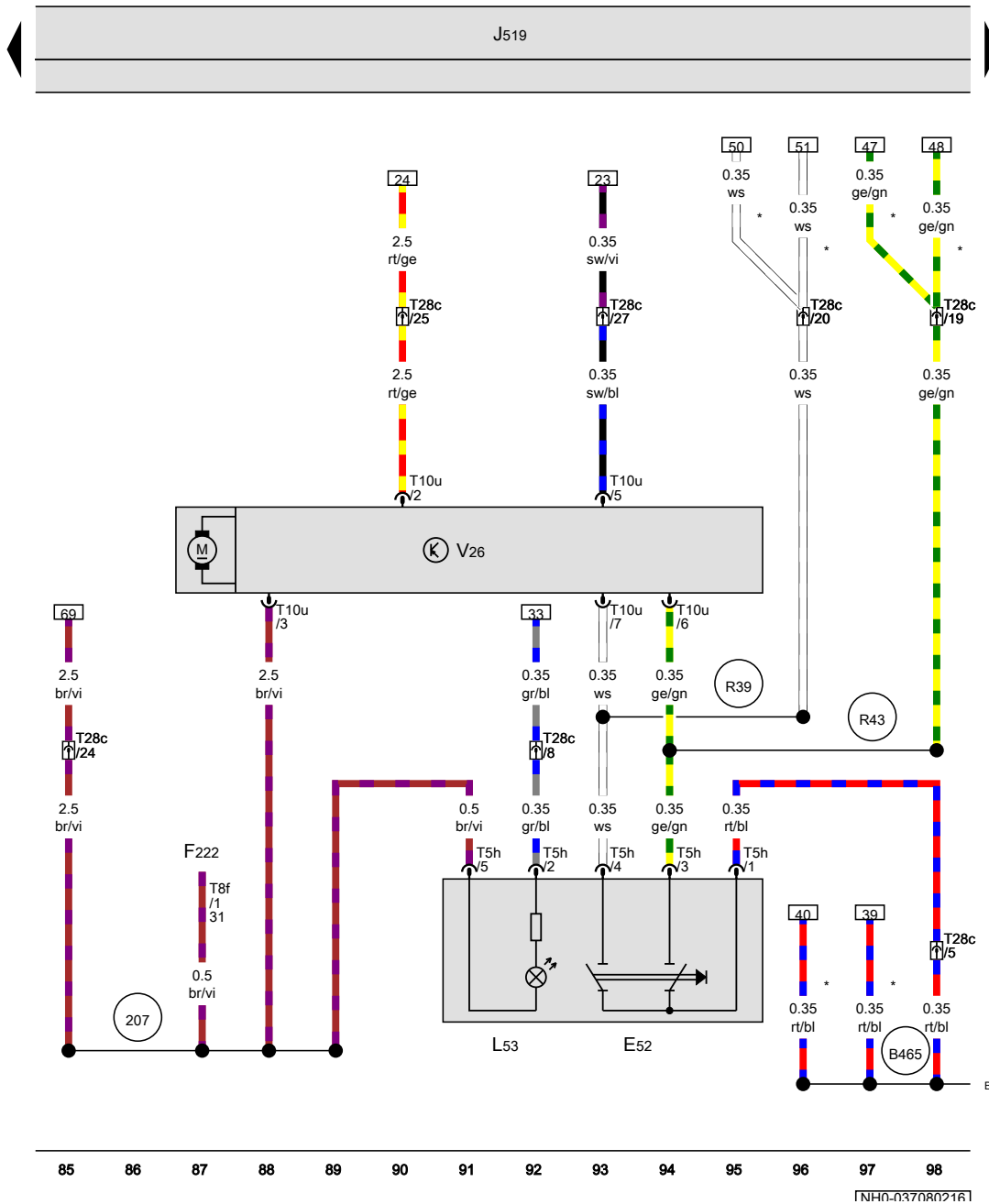
- E107 Window regulator switch in front passenger door
- J519 Onboard supply control unit
- L53 Window regulator switch illumination bulb
- T5g 5-pin connector
- T10r 10-pin connector
- T28b 28-pin connector, on right A-pillar
- V148 Front passenger side window regulator motor

- 206 Earth connection, in front passenger door wiring harness
- 379 Earth connection 14, in main wiring harness
- 638 Earth point, on right A-pillar
- * According to equipment



- ws = white
- sw = black
- ro = red
- rt = red
- br = brown
- gn = green
- bl = blue
- gr = grey
- li = purple
- vi = violet
- ge = yellow
- or = orange
- rs = pink

[NH0-037070216]



Rear left window regulator switch, in door, Rear left window regulator motor

- E52 Rear left window regulator switch, in door
- F222 Rear left central locking lock unit
- J519 Onboard supply control unit
- L53 Window regulator switch illumination bulb
- T5h 5-pin connector
- T8f 8-pin connector
- T10u 10-pin connector
- T28c 28-pin connector, on left B-pillar
- V26 Rear left window regulator motor

- (207) Earth connection, in rear left door wiring harness
- (B465) Connection 1, in main wiring harness
- (R39) Connection 1 (window regulator), in rear left door wiring harness
- (R43) Connection 2 (window regulator), in rear left door wiring harness

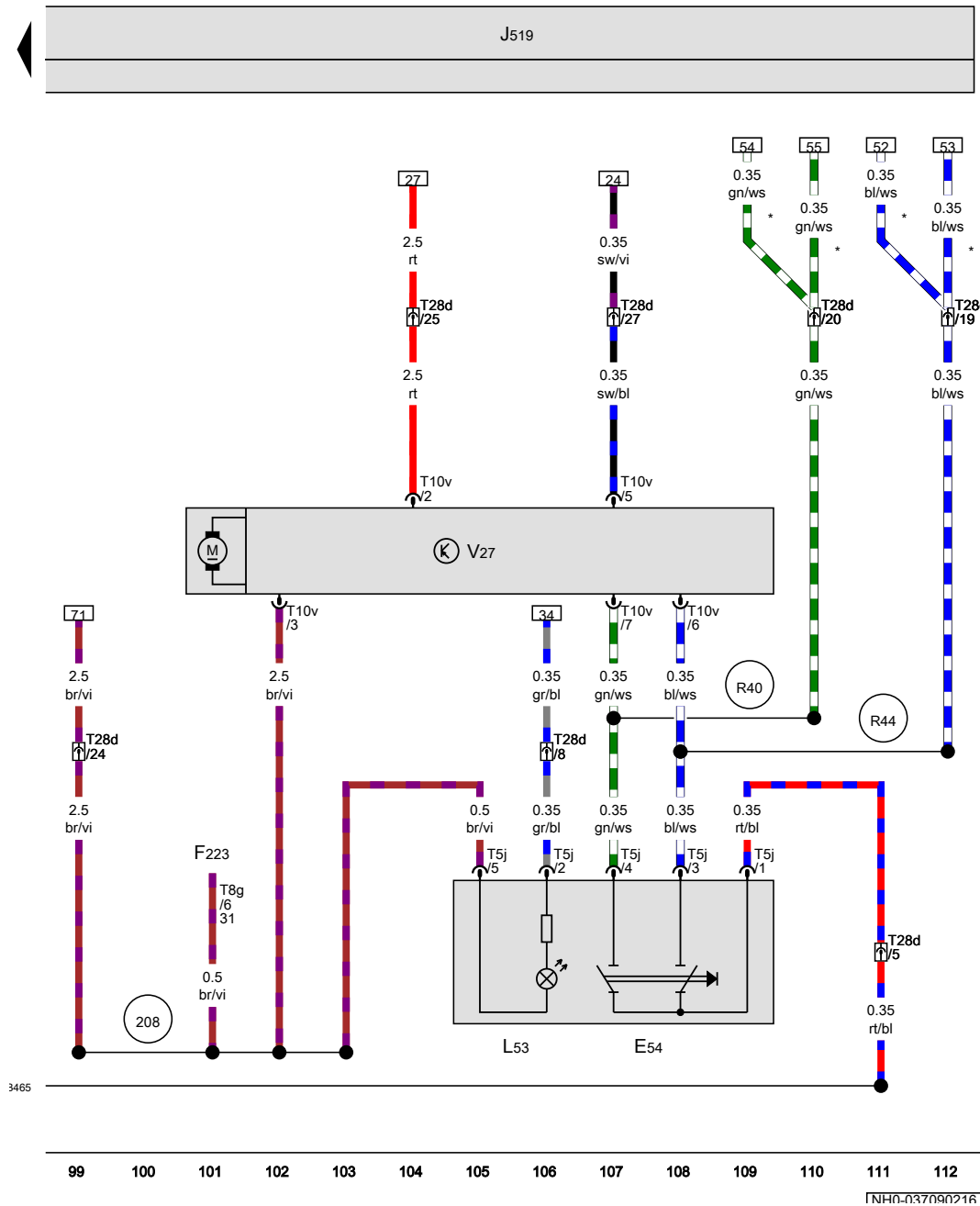
* According to equipment

- ws = white
- sw = black
- ro = red
- rt = red
- br = brown
- gn = green
- bl = blue
- gr = grey
- li = purple
- vi = purple
- ge = yellow
- or = orange
- rs = pink

Rear right window regulator switch, in door, Rear right window regulator motor

- E54 Rear right window regulator switch, in door
- F223 Rear right central locking lock unit
- J519 Onboard supply control unit
- L53 Window regulator switch illumination bulb
- T5j 5-pin connector
- T8g 8-pin connector
- T10v 10-pin connector
- T28d 28-pin connector, on right B-pillar
- V27 Rear right window regulator motor

- (208) Earth connection, in rear right door wiring harness
- (B465) Connection 1, in main wiring harness
- (R40) Connection 1 (window regulator), in rear right door wiring harness
- (R44) Connection 2 (window regulator), in rear right door wiring harness
- * According to equipment



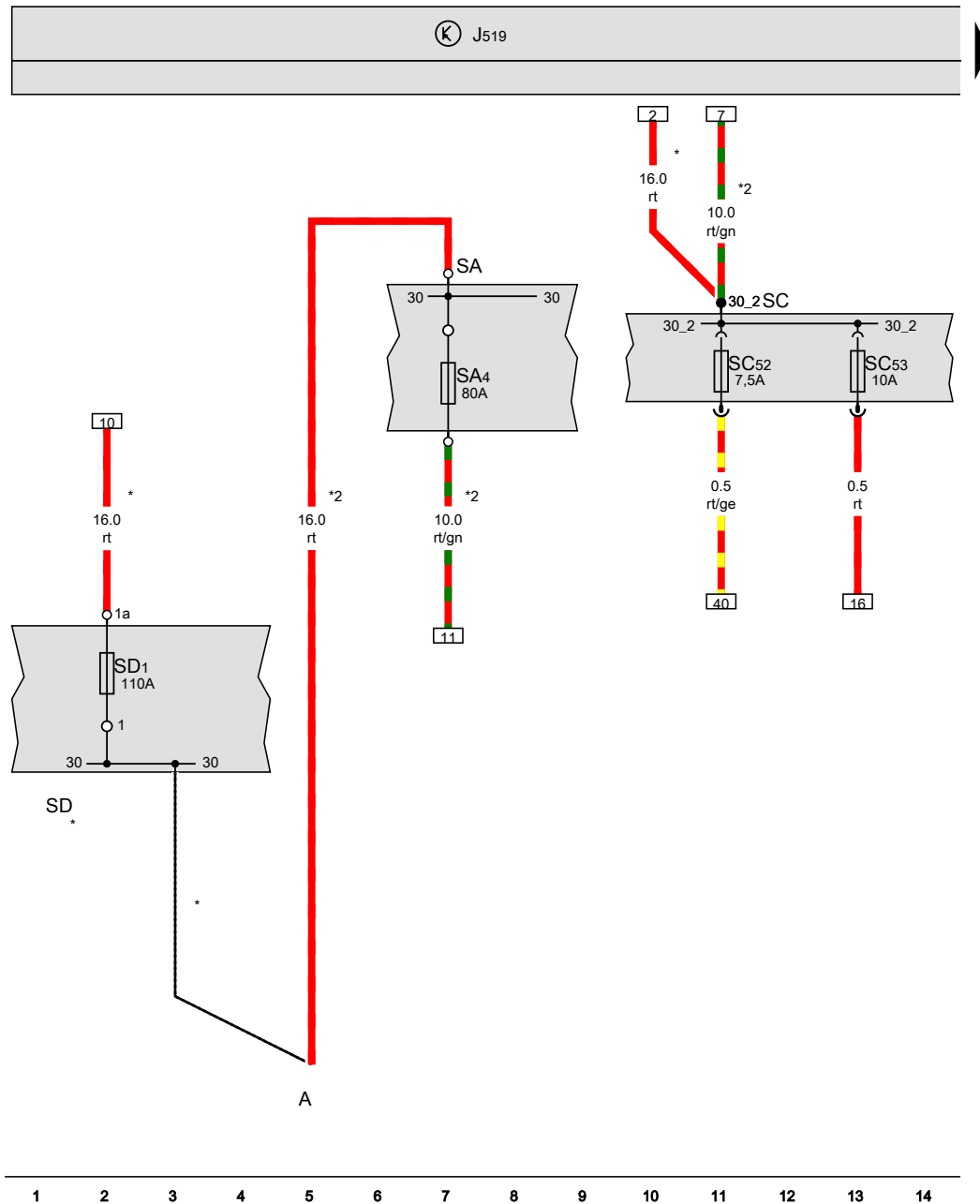
- ws = white
- sw = black
- ro = red
- rt = red
- br = brown
- gn = green
- bl = blue
- gr = grey
- li = purple
- vi = purple
- ge = yellow
- or = orange
- rs = pink

Entry and start authorisation , (L0L)

From May 2015

Battery, Fuse holder A, Fuse holder C, Fuse holder D

- A Battery
- J519 Onboard supply control unit
- SA Fuse holder A
- SD1 Fuse 1 on fuse holder D
- SA4 Fuse 4 in fuse holder A
- SC Fuse holder C
- SC52 Fuse 52 on fuse holder C
- SC53 Fuse 53 on fuse holder C
- SD Fuse holder D
- * Only models with battery in luggage compartment
- *2 Only models with battery in engine compartment

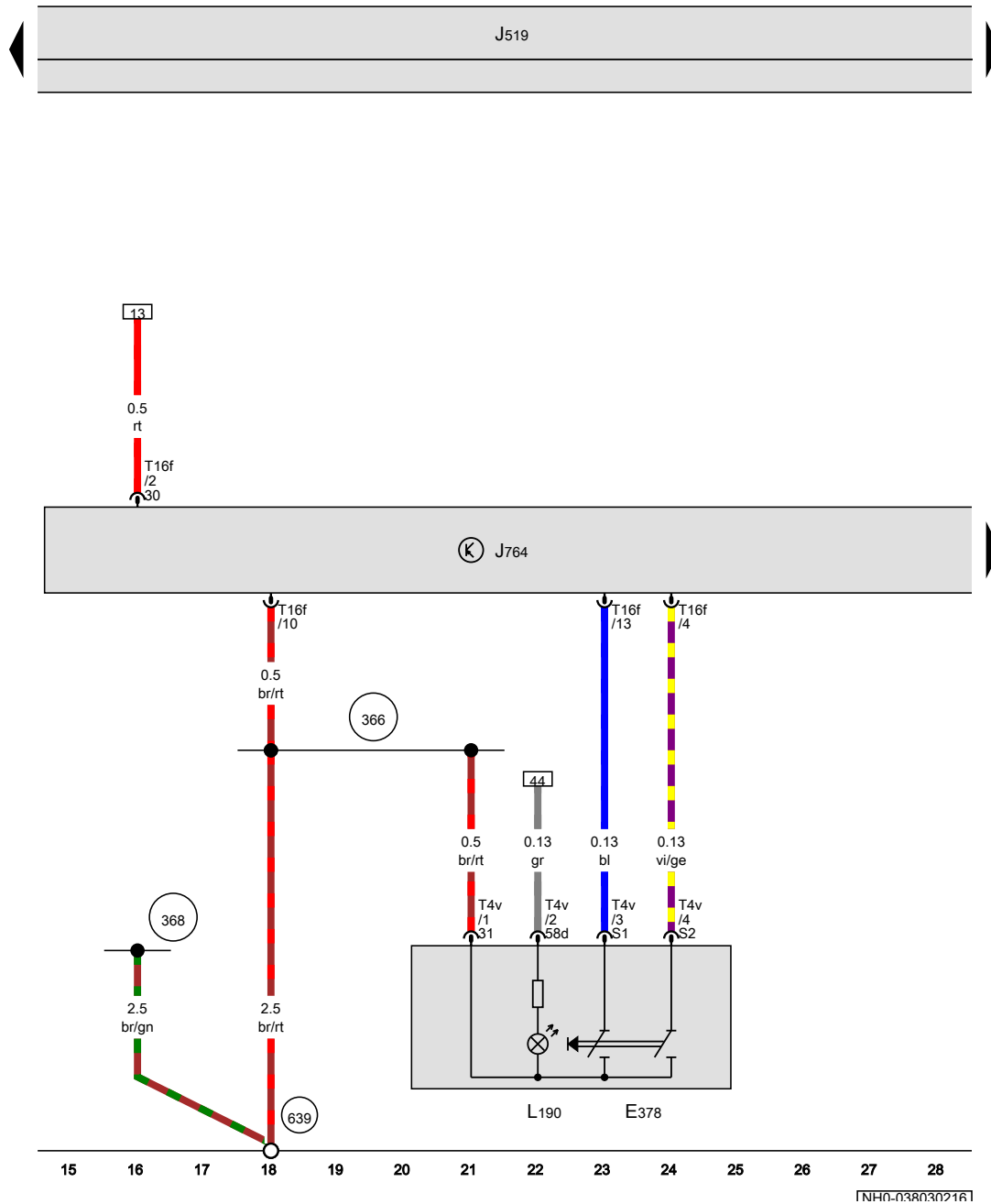


[NH0-038020216]

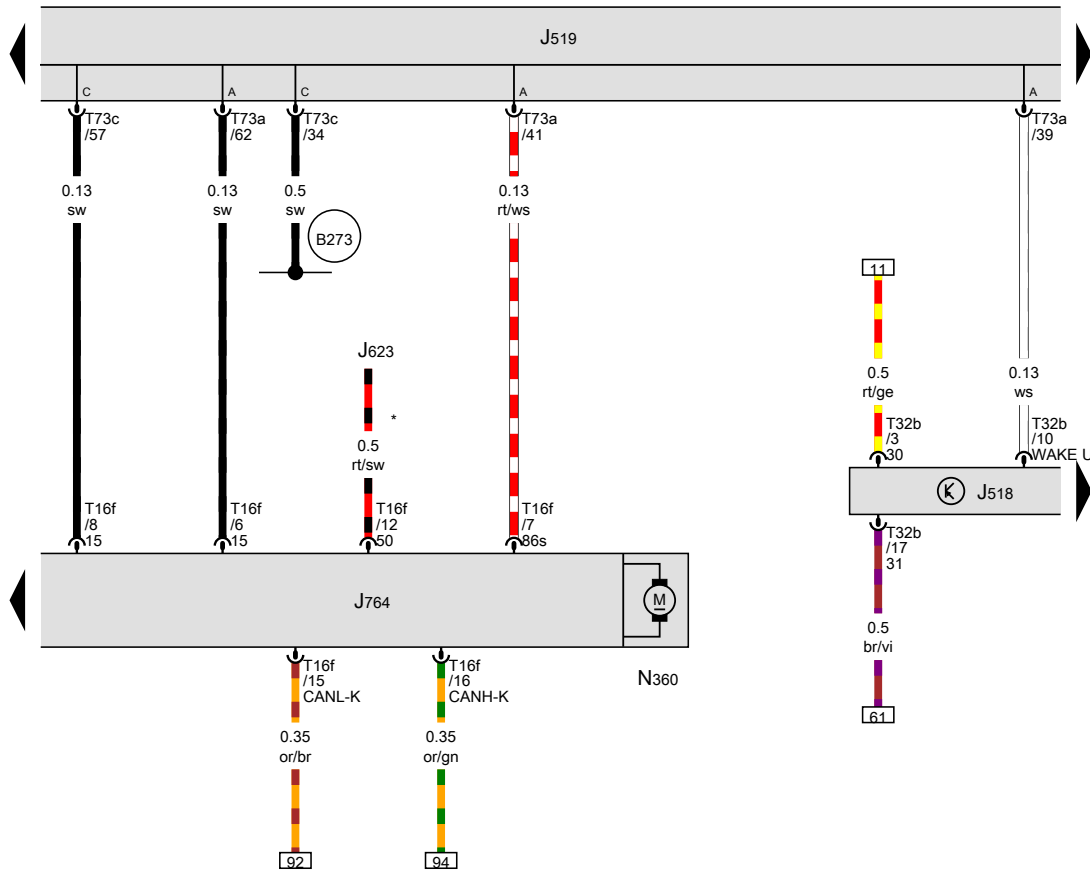
Starter button, Control unit for electronic steering column lock

- E378 Starter button
- J519 Onboard supply control unit
- J764 Control unit for electronic steering column lock
- L190 Ignition and starter button illumination bulb
- T4v 4-pin connector
- T16f 16-pin connector

- 366 Earth connection 1, in main wiring harness
- 368 Earth connection 3, in main wiring harness
- 639 Earth point, left A-pillar



- ws = white
- sw = black
- ro = red
- rt = red
- br = brown
- gn = green
- bl = blue
- gr = grey
- li = purple
- vi = purple
- ge = yellow
- or = orange
- rs = pink



Entry and start authorisation control unit, Control unit for electronic steering column lock, Steering column lock control element

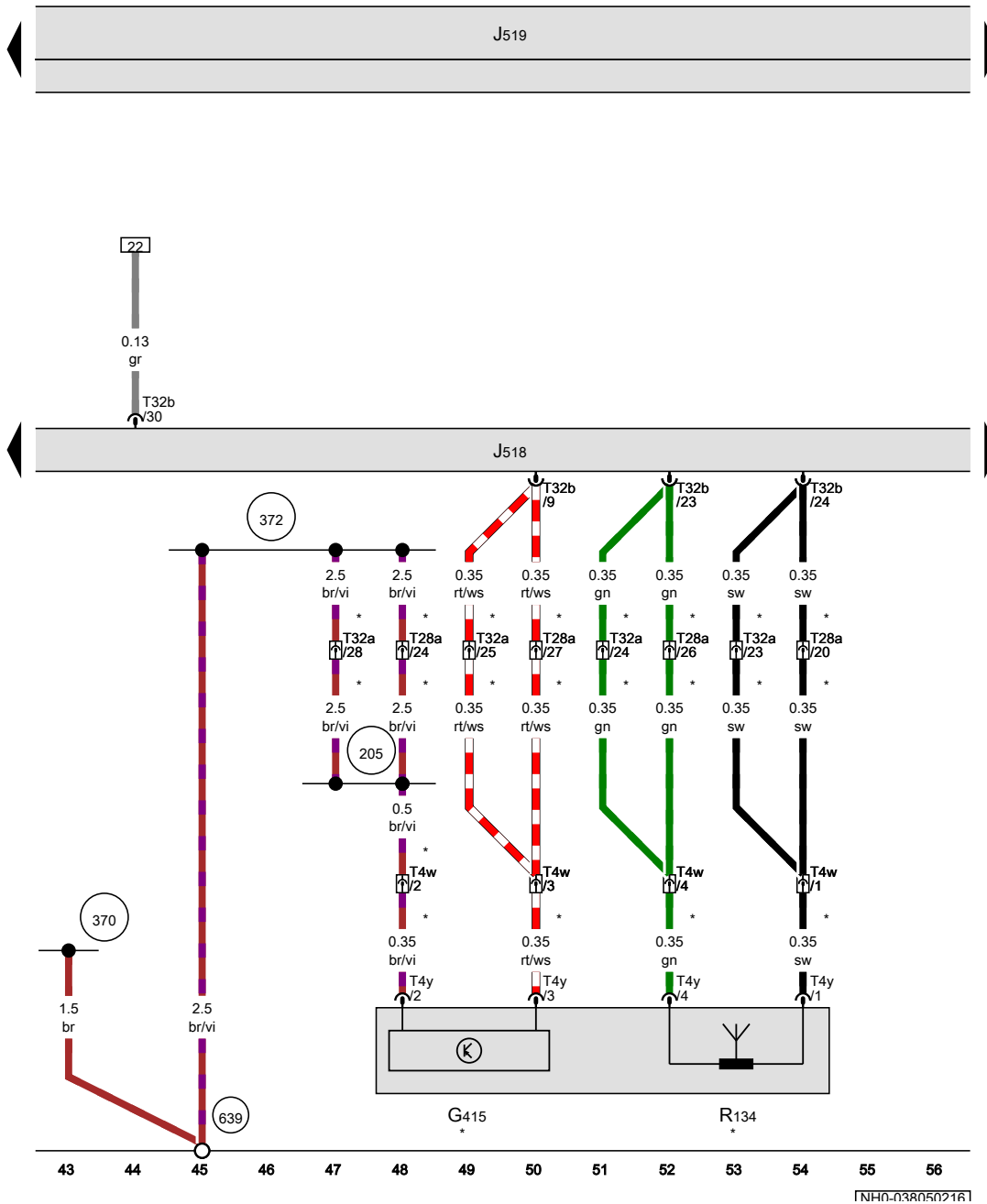
- J518 Entry and start authorisation control unit
- J519 Onboard supply control unit
- J623 Engine control unit
- J764 Control unit for electronic steering column lock
- N360 Steering column lock control element
- T16f 16-pin connector
- T32b 32-pin connector
- T73a 73-pin connector, black
- T73c 73-pin connector, black
- B273** Positive connection (15), in main wiring harness
- * see applicable current flow diagram for engine

- ws = white
- sw = black
- ro = red
- rt = red
- br = brown
- gn = green
- bl = blue
- gr = grey
- li = purple
- vi = purple
- ge = yellow
- or = orange
- rs = pink

Driver door exterior handle contact sensor, Entry and start authorisation control unit, Driver side aerial for entry and start system

- G415 Driver door exterior handle contact sensor
- J518 Entry and start authorisation control unit
- J519 Onboard supply control unit
- R134 Driver side aerial for entry and start system
- T4w 4-pin connector, in driver door
- T4y 4-pin connector
- T28a 28-pin connector, on left A-pillar
- T32a 32-pin connector, on left A-pillar
- T32b 32-pin connector

- 205 Earth connection, in driver door wiring harness
- 370 Earth connection 5, in main wiring harness
- 372 Earth connection 7, in main wiring harness
- 639 Earth point, left A-pillar
- * According to equipment



- ws = white
- sw = black
- ro = red
- rt = red
- br = brown
- gn = green
- bl = blue
- gr = grey
- li = purple
- vi = purple
- ge = yellow
- or = orange
- rs = pink

[NH0-038050216]

Front passenger door exterior handle contact sensor, Entry and start authorisation control unit, Passenger side aerial for entry and start system

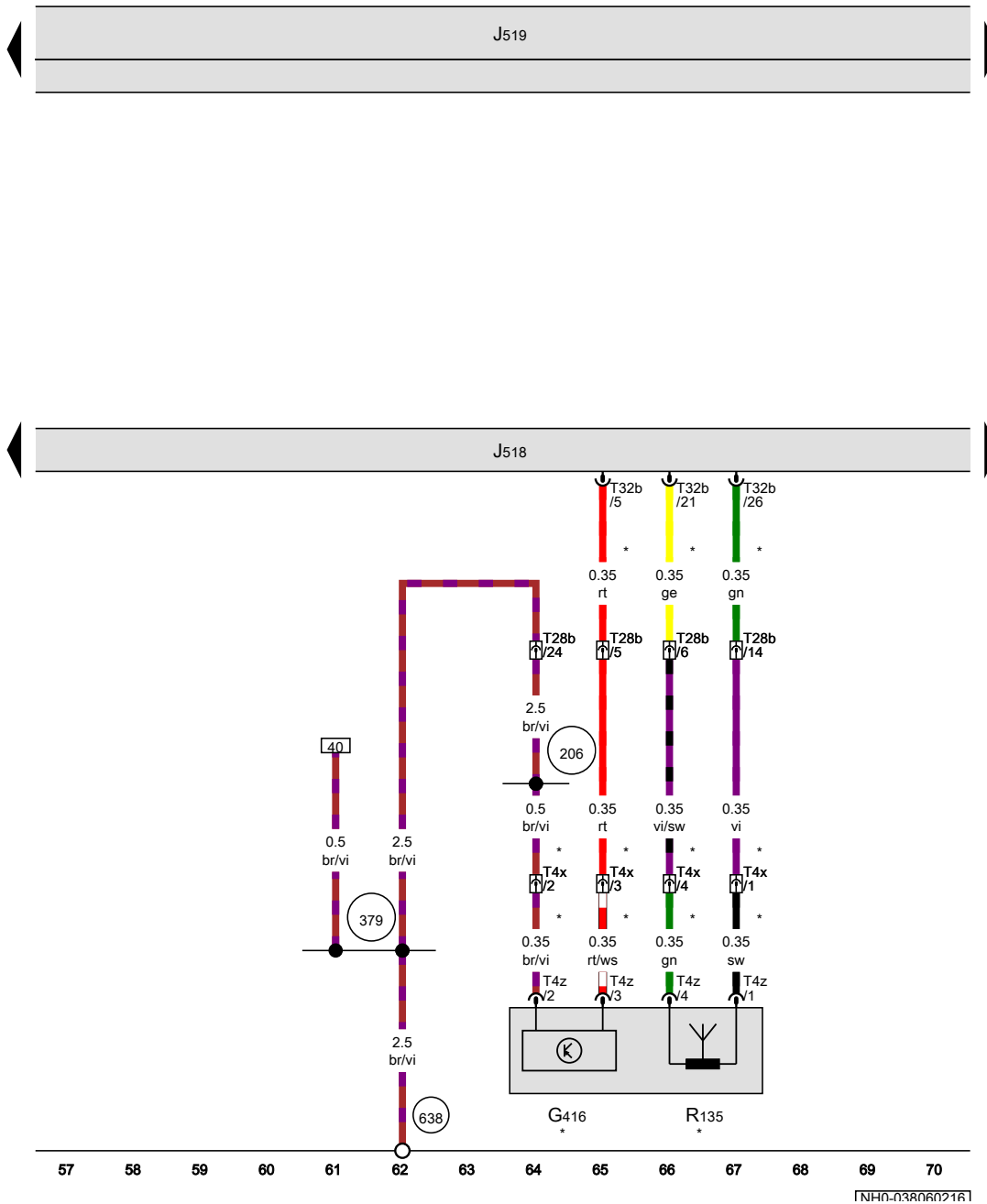
- G416 Front passenger door exterior handle contact sensor
- J518 Entry and start authorisation control unit
- J519 Onboard supply control unit
- R135 Passenger side aerial for entry and start system
- T4x 4-pin connector, in front passenger door
- T4z 4-pin connector
- T28b 28-pin connector, on right A-pillar
- T32b 32-pin connector

206 Earth connection, in front passenger door wiring harness

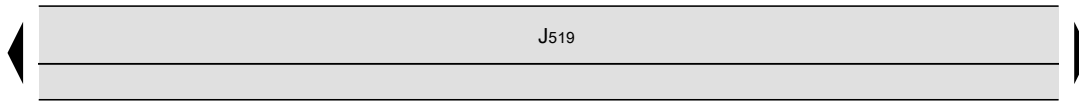
379 Earth connection 14, in main wiring harness

638 Earth point, on right A-pillar

* According to equipment

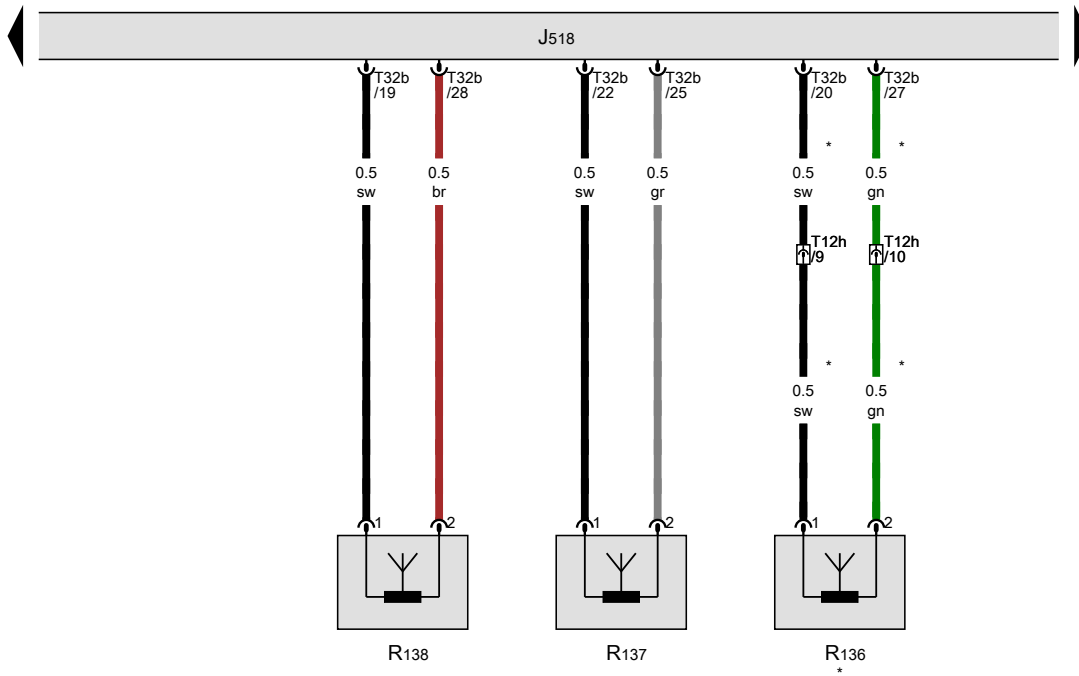


1NH0-038060216



Entry and start authorisation control unit, Rear bumper aerial for entry and start system, Luggage compartment aerial for entry and start system, Interior aerial 1 for entry and start system

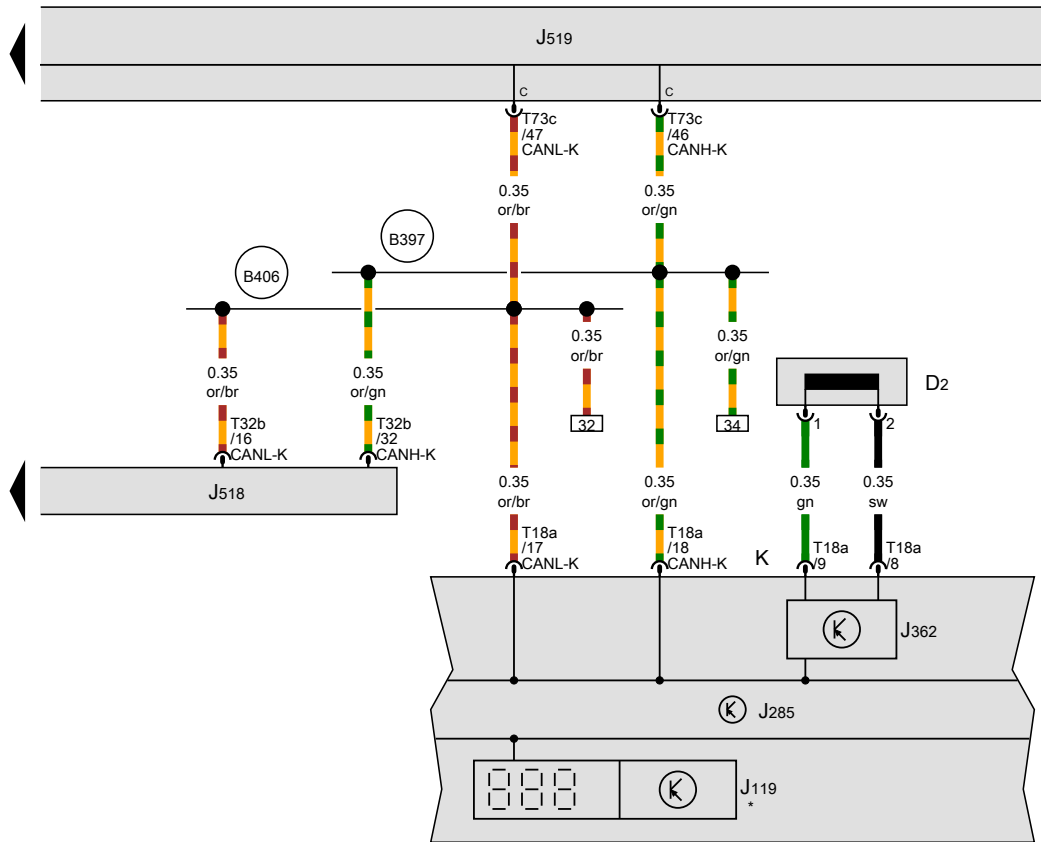
- J518 Entry and start authorisation control unit
- J519 Onboard supply control unit
- R136 Rear bumper aerial for entry and start system
- R137 Luggage compartment aerial for entry and start system
- R138 Interior aerial 1 for entry and start system
- T12h 12-pin connector, in luggage compartment, rear left
- T32b 32-pin connector
- * According to equipment



- ws = white
- sw = black
- ro = red
- rt = red
- br = brown
- gn = green
- bl = blue
- gr = grey
- li = purple
- vi = purple
- ge = yellow
- or = orange
- rs = pink

71 72 73 74 75 76 77 78 79 80 81 82 83 84

[NH0-038070216]



Immobiliser reader coil, Multifunction indicator, Immobiliser control unit, Entry and start authorisation control unit, Dash panel insert

- D2 Immobiliser reader coil
- J119 Multifunction indicator
- J285 Control unit in dash panel insert
- J362 Immobiliser control unit
- J518 Entry and start authorisation control unit
- J519 Onboard supply control unit
- K Dash panel insert
- T18a 18-pin connector
- T32b 32-pin connector
- T73c 73-pin connector, black
- B397 Connection 1 (convenience CAN bus, high), in main wiring harness
- B406 Connection 1 (convenience CAN bus, low), in main wiring harness
- * Only models with multifunction display

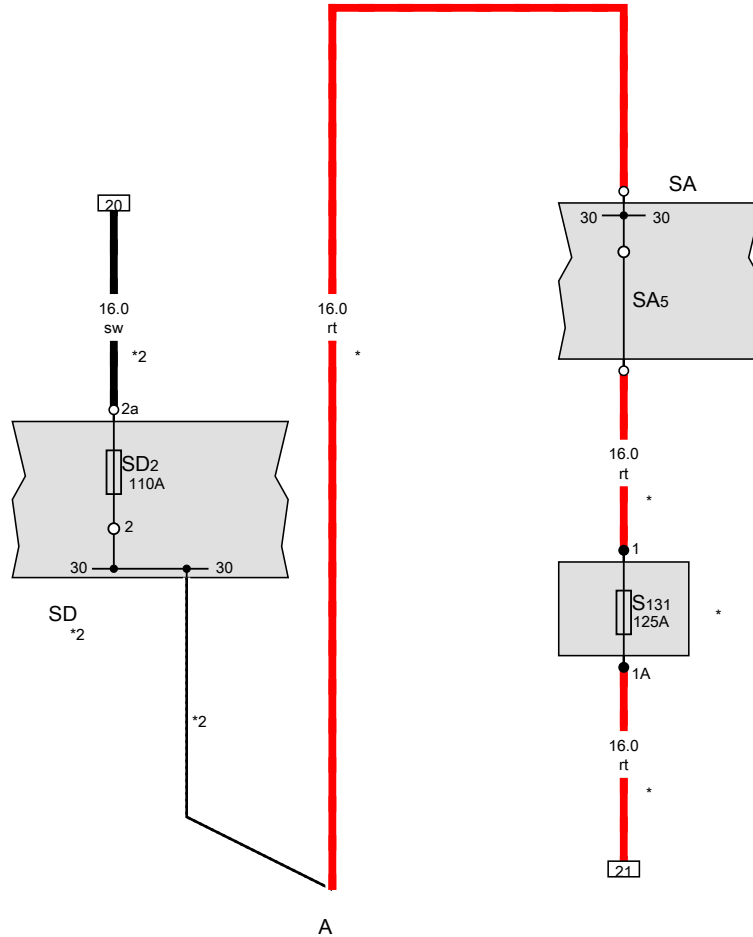
- ws = white
- sw = black
- ro = red
- rt = red
- br = brown
- gn = green
- bl = blue
- gr = grey
- li = purple
- vi = purple
- ge = yellow
- or = orange
- rs = pink

Fog light

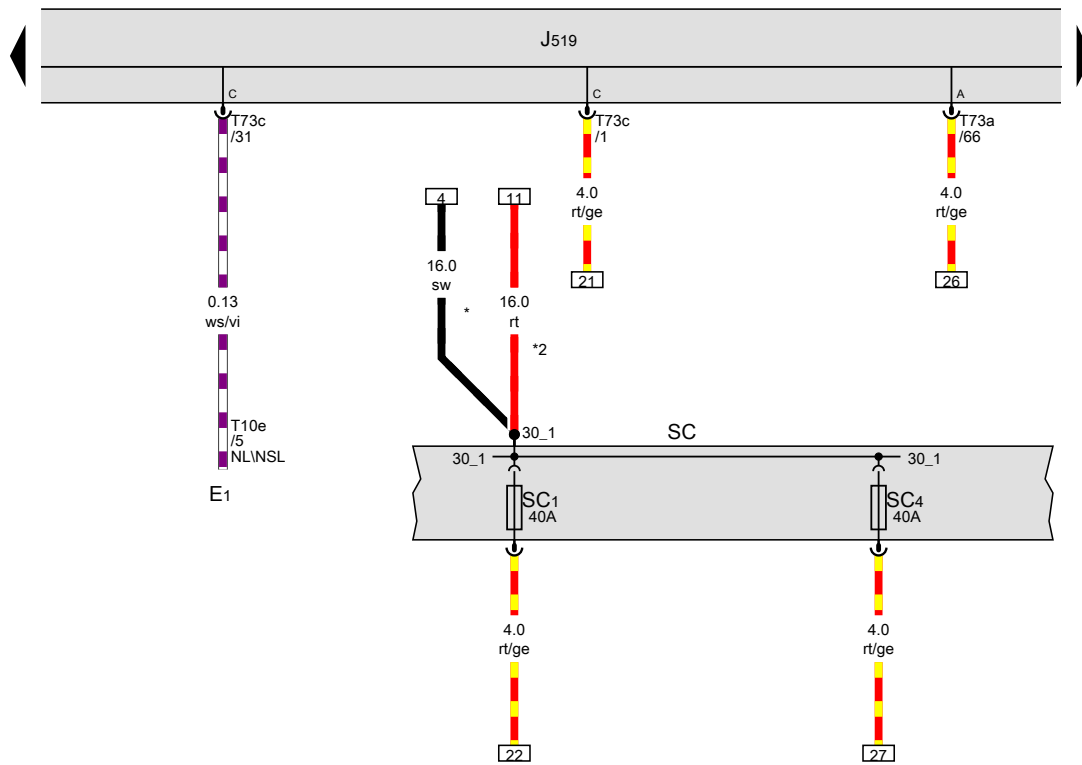
From May 2015

Battery, Fuse holder A, Fuse holder D

- A Battery
- J519 Onboard supply control unit
- SD2 Fuse 2 on fuse holder D
- SA5 Fuse 5 in fuse holder A
- S131 Fuse 1, in main wiring harness
- SA Fuse holder A
- SD Fuse holder D
- * Only models with battery in engine compartment
- *2 Only models with battery in luggage compartment



- ws = white
- sw = black
- ro = red
- rt = red
- br = brown
- gn = green
- bl = blue
- gr = grey
- li = purple
- vi = purple
- ge = yellow
- or = orange
- rs = pink



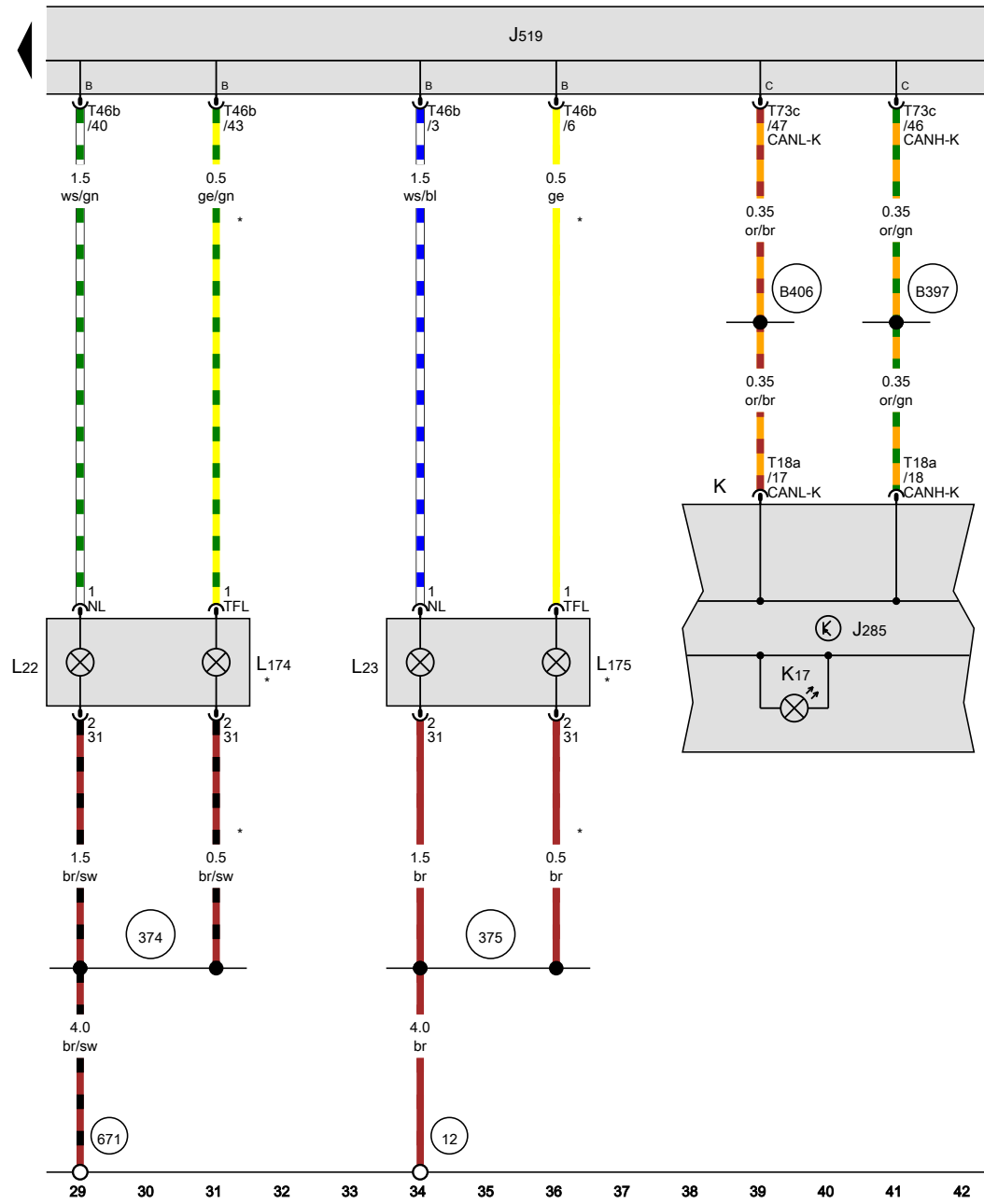
Fuse holder C

- E1 Light switch
- J519 Onboard supply control unit
- SC Fuse holder C
- SC1 Fuse 1 on fuse holder C
- SC4 Fuse 4 on fuse holder C
- T10e 10-pin connector
- T73a 73-pin connector, black
- T73c 73-pin connector, black
- * Only models with battery in luggage compartment
- *2 Only models with battery in engine compartment

- ws = white
- sw = black
- ro = red
- rt = red
- br = brown
- gn = green
- bl = blue
- gr = grey
- li = purple
- vi = purple
- ge = yellow
- or = orange
- rs = pink

15 16 17 18 19 20 21 22 23 24 25 26 27 28

[NH0-039030216]



Dash panel insert, Left fog light bulb, Right fog light bulb, Left daytime running light bulb, Right daytime running light bulb

- J285 Control unit in dash panel insert
- J519 Onboard supply control unit
- K Dash panel insert
- K17 Fog light warning lamp
- L22 Left fog light bulb
- L23 Right fog light bulb
- L174 Left daytime running light bulb
- L175 Right daytime running light bulb
- T18a 18-pin connector
- T46b 46-pin connector, brown
- T73c 73-pin connector, black

- 12 Earth point, on left in engine compartment
- 374 Earth connection 9, in main wiring harness
- 375 Earth connection 10, in main wiring harness
- 671 Earth point 1, on front of left longitudinal member
- B397 Connection 1 (convenience CAN bus, high), in main wiring harness
- B406 Connection 1 (convenience CAN bus, low), in main wiring harness
- * Only models with daytime running lights

- ws = white
- sw = black
- ro = red
- rt = red
- br = brown
- gn = green
- bl = blue
- gr = grey
- li = purple
- vi = purple
- ge = yellow
- or = orange
- rs = pink

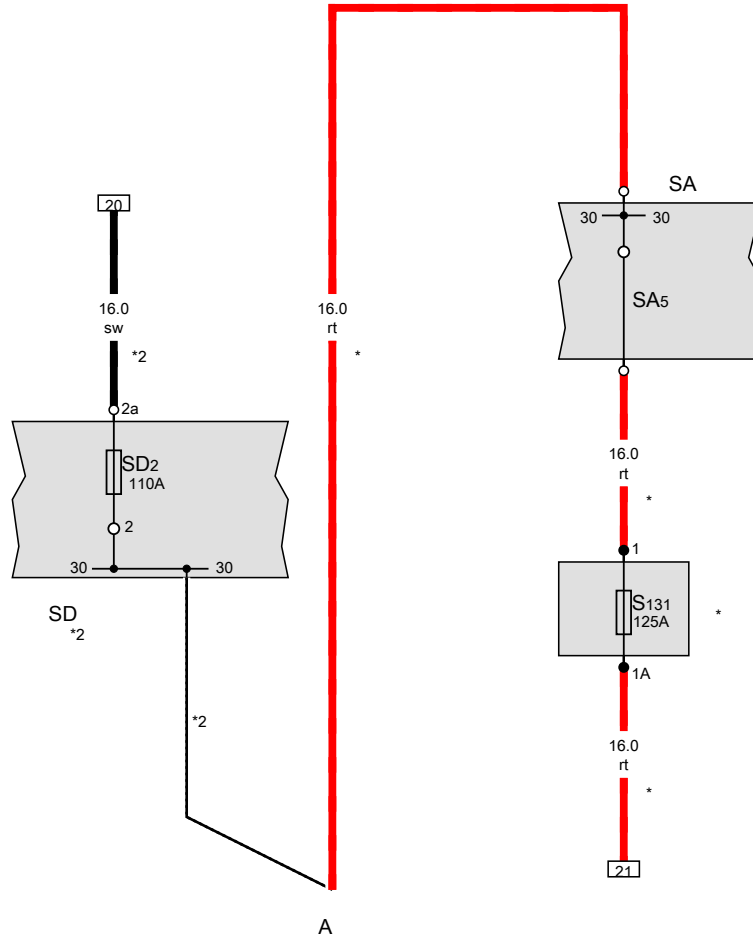
1NH0-0390402161

Fog lights with static cornering light

From May 2015

Battery, Fuse holder A, Fuse holder D

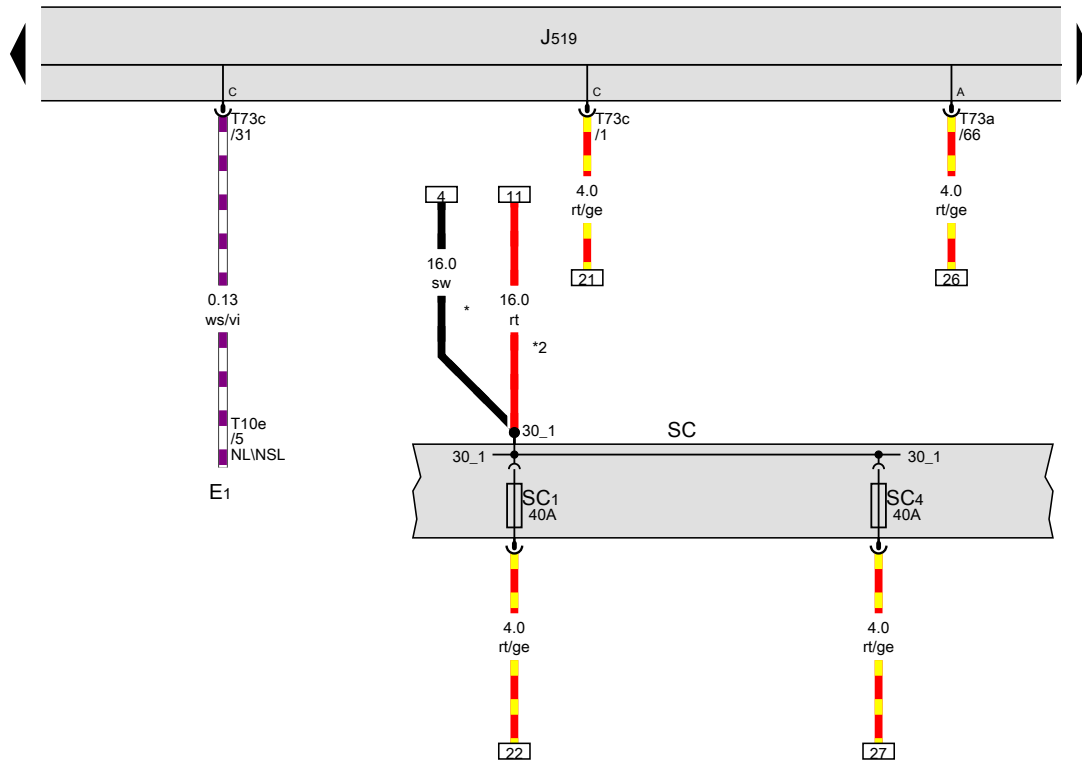
- A Battery
- J519 Onboard supply control unit
- SD2 Fuse 2 on fuse holder D
- SA5 Fuse 5 in fuse holder A
- S131 Fuse 1, in main wiring harness
- SA Fuse holder A
- SD Fuse holder D
- * Only models with battery in engine compartment
- *2 Only models with battery in luggage compartment



- ws = white
- sw = black
- ro = red
- rt = red
- br = brown
- gn = green
- bl = blue
- gr = grey
- li = purple
- vi = purple
- ge = yellow
- or = orange
- rs = pink

1 2 3 4 5 6 7 8 9 10 11 12 13 14

[NH0-040020216]



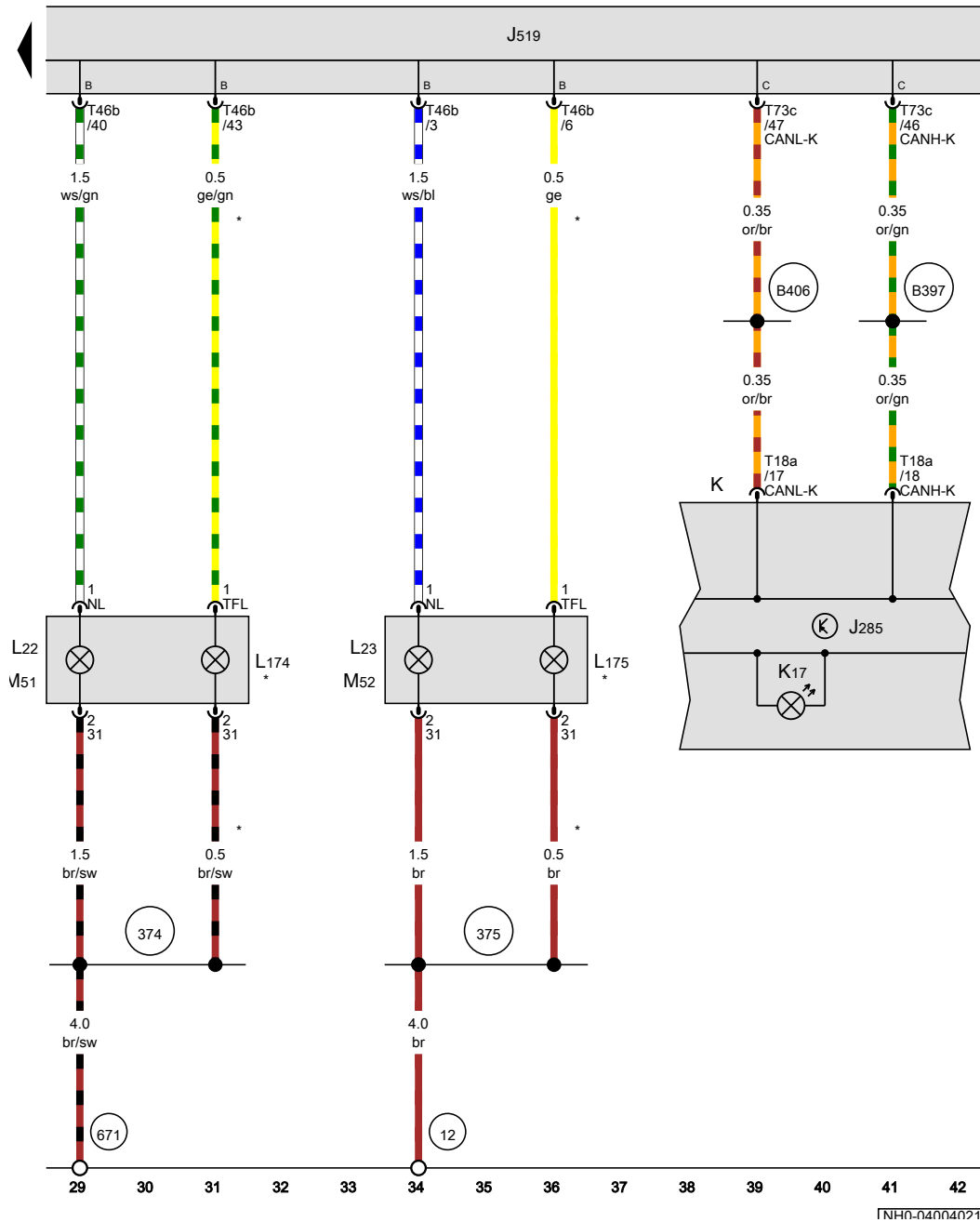
Fuse holder C

- E1 Light switch
- J519 Onboard supply control unit
- SC Fuse holder C
- SC1 Fuse 1 on fuse holder C
- SC4 Fuse 4 on fuse holder C
- T10e 10-pin connector
- T73a 73-pin connector, black
- T73c 73-pin connector, black
- * Only models with battery in luggage compartment
- *2 Only models with battery in engine compartment

- ws = white
- sw = black
- ro = red
- rt = red
- br = brown
- gn = green
- bl = blue
- gr = grey
- li = purple
- vi = purple
- ge = yellow
- or = orange
- rs = pink

15 16 17 18 19 20 21 22 23 24 25 26 27 28

[NH0-040030216]



Dash panel insert, Left fog light bulb, Right fog light bulb, Left daytime running light bulb, Right daytime running light bulb, Left static cornering light, Right static cornering light

- J285 Control unit in dash panel insert
- J519 Onboard supply control unit
- K Dash panel insert
- K17 Fog light warning lamp
- L22 Left fog light bulb
- L23 Right fog light bulb
- L174 Left daytime running light bulb
- L175 Right daytime running light bulb
- M51 Left static cornering light
- M52 Right static cornering light
- T18a 18-pin connector
- T46b 46-pin connector, brown
- T73c 73-pin connector, black
- 12 Earth point, on left in engine compartment
- 374 Earth connection 9, in main wiring harness
- 375 Earth connection 10, in main wiring harness
- 671 Earth point 1, on front of left longitudinal member
- B397 Connection 1 (convenience CAN bus, high), in main wiring harness
- B406 Connection 1 (convenience CAN bus, low), in main wiring harness
- * Only models with daytime running lights

- ws = white
- sw = black
- ro = red
- rt = red
- br = brown
- gn = green
- bl = blue
- gr = grey
- li = purple
- vi = purple
- ge = yellow
- or = orange
- rs = pink

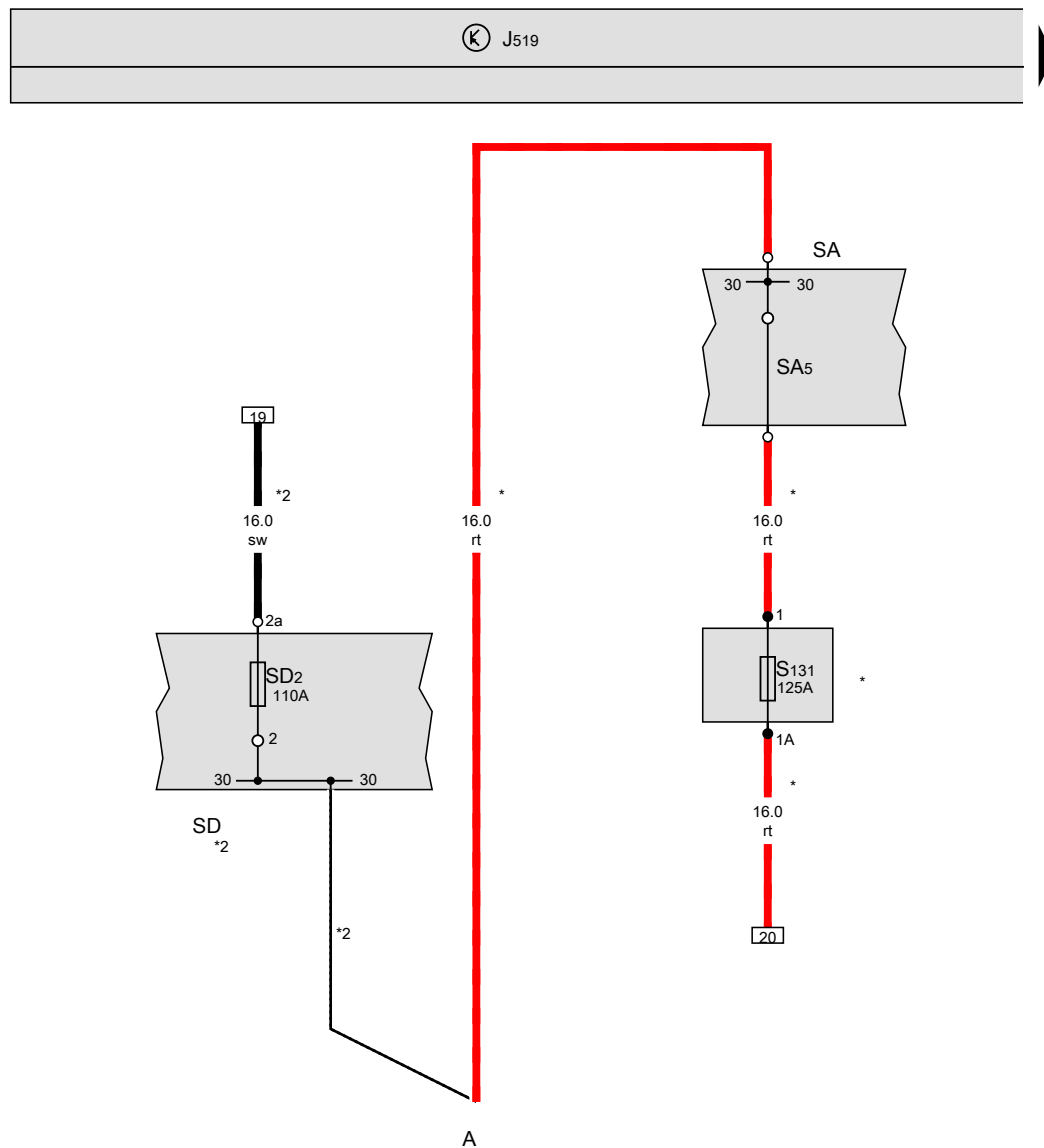
1NH0-0400402161

Anti-theft alarm system

From May 2015

Battery, Fuse holder A, Fuse holder D

- A Battery
- J519 Onboard supply control unit
- SD2 Fuse 2 on fuse holder D
- SA5 Fuse 5 in fuse holder A
- S131 Fuse 1, in main wiring harness
- SA Fuse holder A
- SD Fuse holder D
- * Only models with battery in engine compartment
- *2 Only models with battery in luggage compartment



- ws = white
- sw = black
- ro = red
- rt = red
- br = brown
- gn = green
- bl = blue
- gr = grey
- li = purple
- vi = purple
- ge = yellow
- or = orange
- rs = pink

1 2 3 4 5 6 7 8 9 10 11 12 13 14

[NH0-041020216]

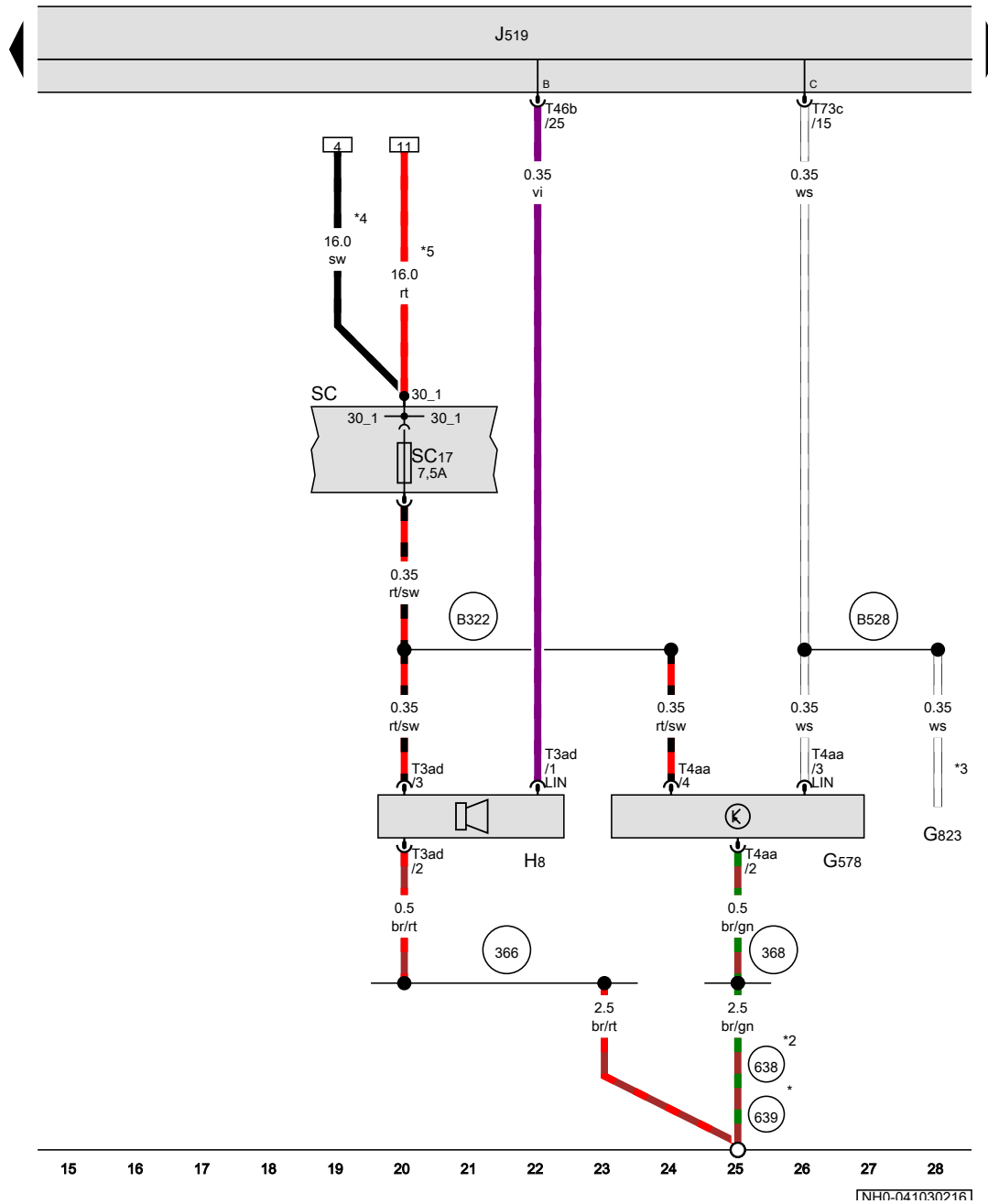
Anti-theft alarm sensor, Anti-theft alarm system horn, Fuse holder C

- G578 Anti-theft alarm sensor
- G823 Air humidity, rain and light sensor
- H8 Anti-theft alarm system horn
- J519 Onboard supply control unit
- SC Fuse holder C
- SC17 Fuse 17 on fuse holder C
- T3ad 3-pin connector
- T4aa 4-pin connector
- T46b 46-pin connector, brown
- T73c 73-pin connector, black

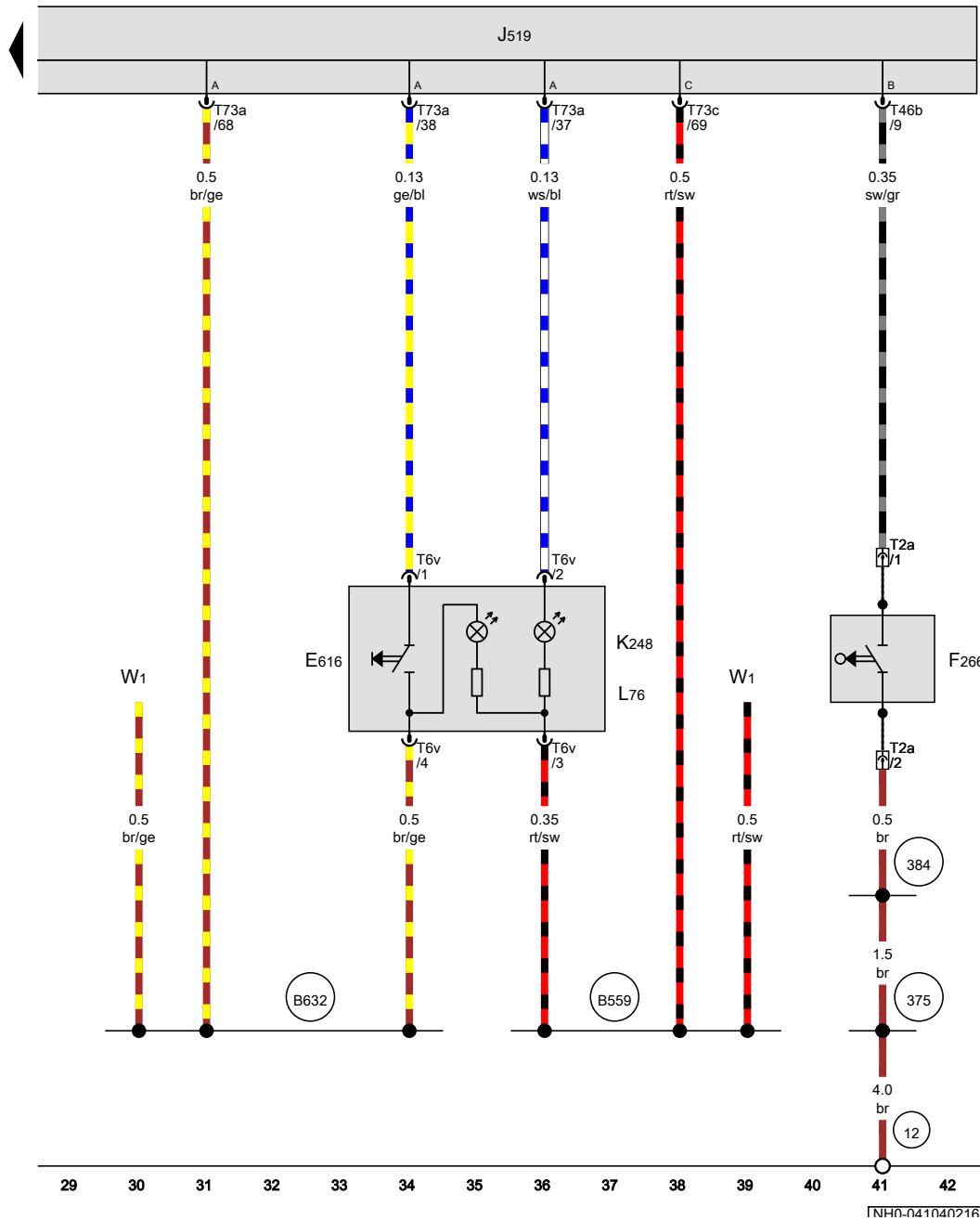
- 366 Earth connection 1, in main wiring harness
- 368 Earth connection 3, in main wiring harness
- 638 Earth point, on right A-pillar
- 639 Earth point, left A-pillar
- B322 Positive connection 8 (30a) in main wiring harness
- B528 Connection 1 (LIN bus) in main wiring harness

- * Only left-hand drive models
- *2 Only right-hand drive models
- *3 Only models with rain and light sensor
- *4 Only models with battery in luggage compartment
- *5 Only models with battery in engine compartment

- ws = white
- sw = black
- ro = red
- rt = red
- br = brown
- gn = green
- bl = blue
- gr = grey
- li = purple
- vi = purple
- ge = yellow
- or = orange
- rs = pink



1NH0-0410302161



Button for deactivating interior monitoring and vehicle inclination sensor, Bonnet contact switch

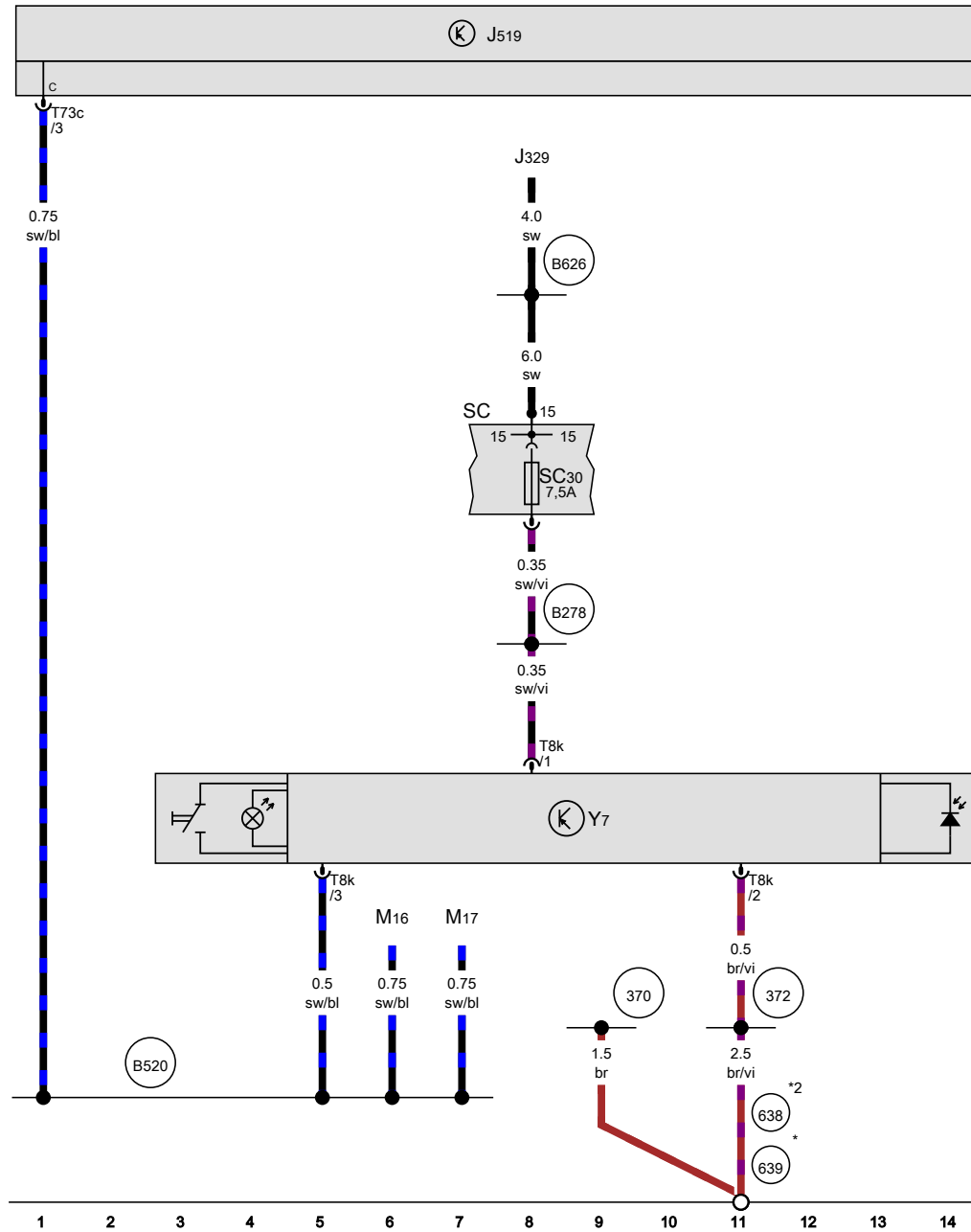
- E616 Button for deactivating interior monitoring and vehicle inclination sensor
- F266 Bonnet contact switch
- J519 Onboard supply control unit
- K248 Warning lamp for deactivation of interior monitoring and vehicle inclination
- L76 Button illumination bulb
- T2a 2-pin connector
- T6v 6-pin connector
- T46b 46-pin connector, brown
- T73a 73-pin connector, black
- T73c 73-pin connector, black
- W1 Front interior light
- 12 Earth point, on left in engine compartment
- 375 Earth connection 10, in main wiring harness
- 384 Earth connection 19, in main wiring harness
- B559 Positive connection 1 (30g), in main wiring harness
- B632 Connection (interior light, 31), in main wiring harness

- ws = white
- sw = black
- ro = red
- rt = red
- br = brown
- gn = green
- bl = blue
- gr = grey
- li = purple
- vi = purple
- ge = yellow
- or = orange
- rs = pink

1NH0-0410402161

Automatic anti-dazzle interior mirror

From May 2015



Fuse holder C, Automatic anti-dazzle interior mirror

- J329 Terminal 15 voltage supply relay
- J519 Onboard supply control unit
- M16 Left reversing light bulb
- M17 Right reversing light bulb
- SC Fuse holder C
- SC30 Fuse 30 on fuse holder C
- T8k 8-pin connector
- T73c 73-pin connector, black
- Y7 Automatic anti-dazzle interior mirror

- (370) Earth connection 5, in main wiring harness
- (372) Earth connection 7, in main wiring harness
- (638) Earth point, on right A-pillar
- (639) Earth point, left A-pillar
- (B278) Positive connection 2 (15a) in main wiring harness
- (B520) Connection (RL), in main wiring harness
- (B626) Positive connection 2 (15), in main wiring harness

- * Only left-hand drive models
- *2 Only right-hand drive models

- ws = white
- sw = black
- ro = red
- rt = red
- br = brown
- gn = green
- bl = blue
- gr = grey
- li = purple
- vi = purple
- ge = yellow
- or = orange
- rs = pink

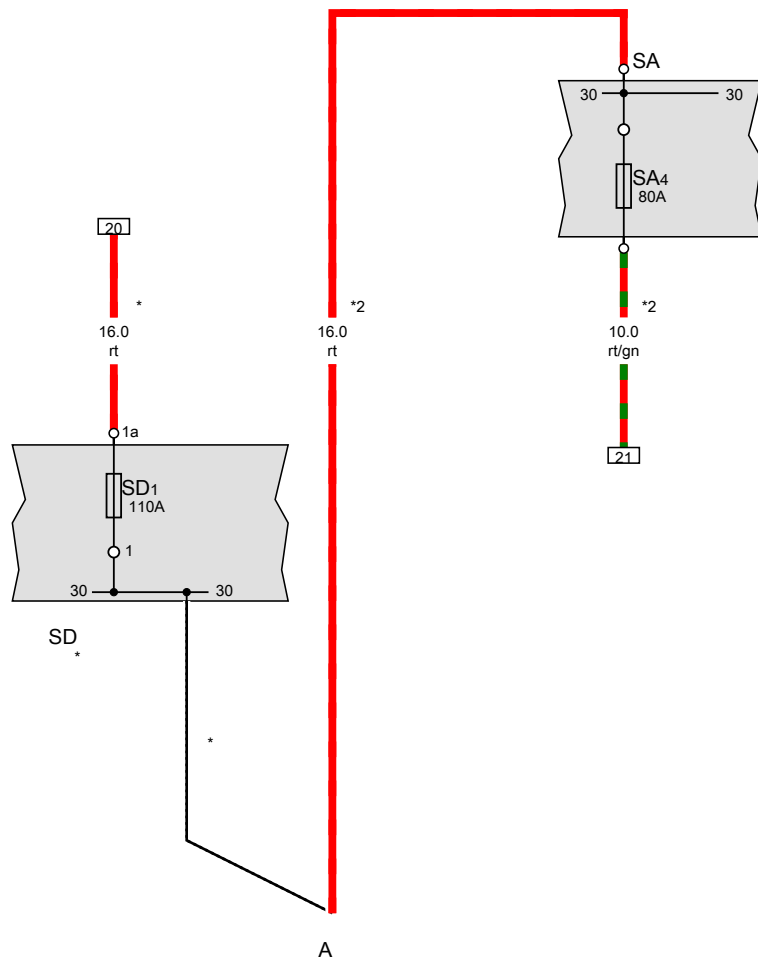
[NH0-042020216]

Electrically adjustable and heated exterior mirror , (L0L)

From May 2015

Battery, Fuse holder A, Fuse holder D

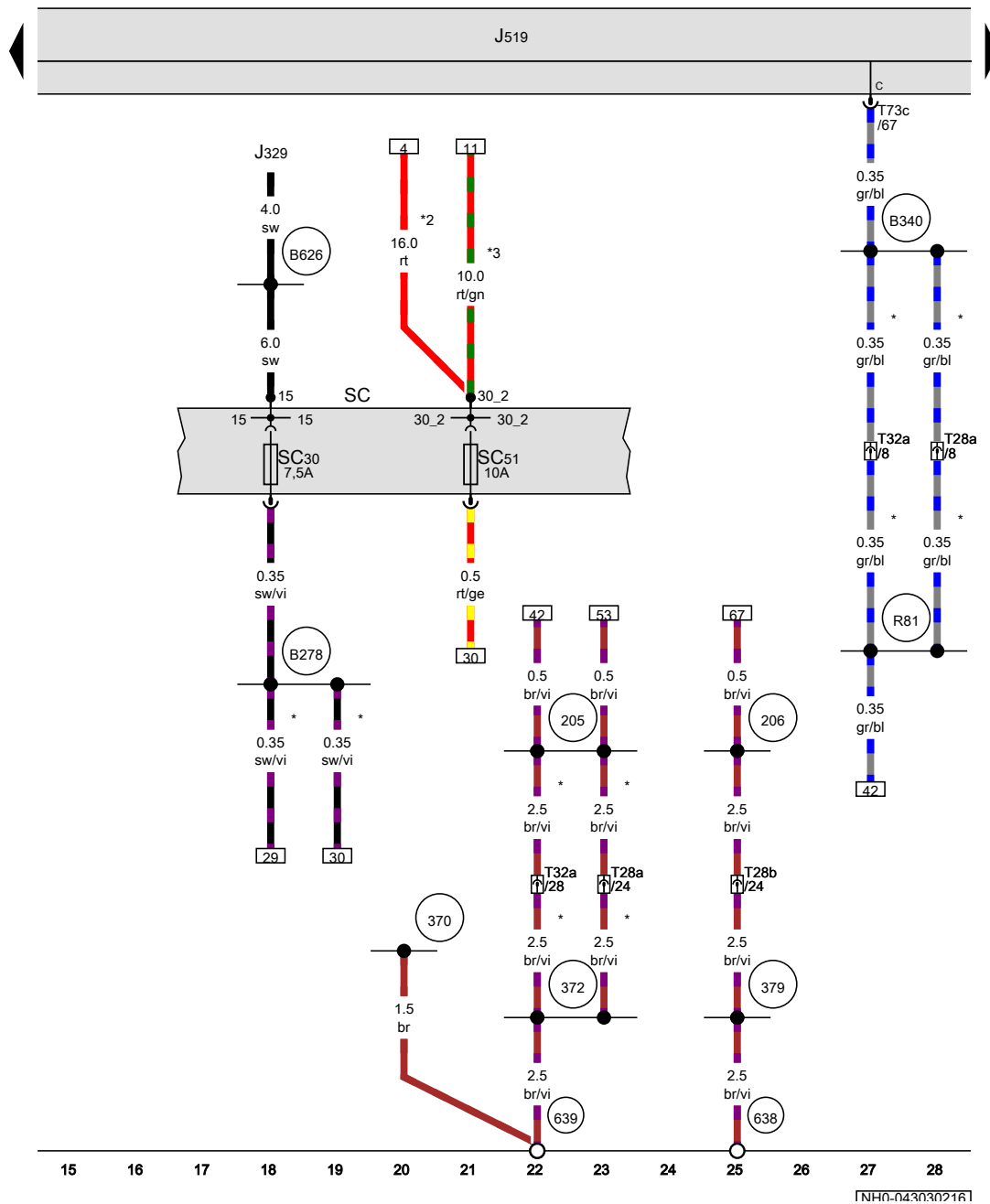
- A Battery
- J519 Onboard supply control unit
- SA Fuse holder A
- SD Fuse holder D
- SD1 Fuse 1 on fuse holder D
- SA4 Fuse 4 in fuse holder A
- * Only models with battery in luggage compartment
- *2 Only models with battery in engine compartment



1 2 3 4 5 6 7 8 9 10 11 12 13 14

[NH0-043020216]

- ws = white
- sw = black
- ro = red
- rt = red
- br = brown
- gn = green
- bl = blue
- gr = grey
- li = purple
- vi = purple
- ge = yellow
- or = orange
- rs = pink



Fuse holder C

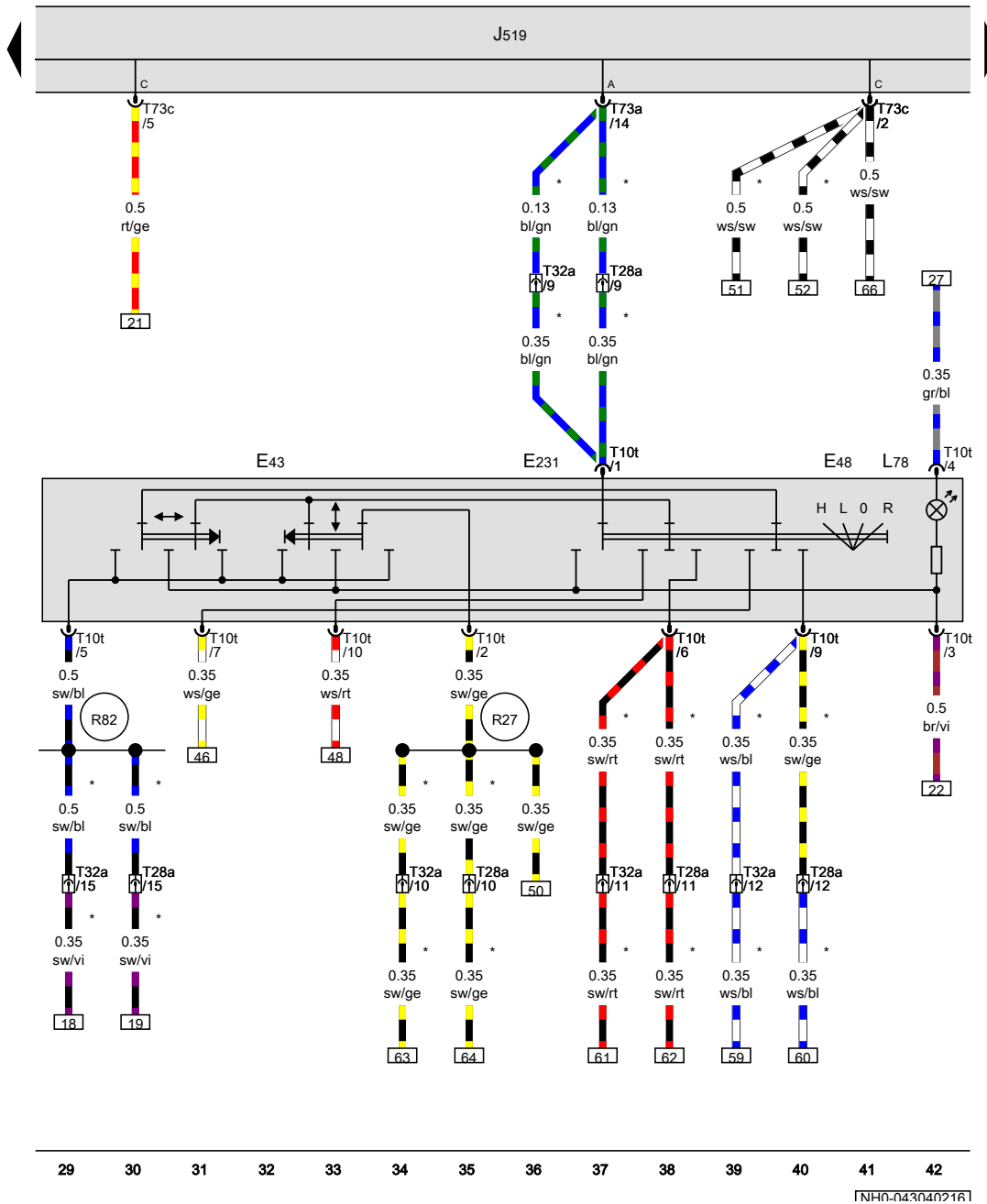
- J329 Terminal 15 voltage supply relay
- J519 Onboard supply control unit
- SC Fuse holder C
- SC30 Fuse 30 on fuse holder C
- SC51 Fuse 51 on fuse holder C
- T28a 28-pin connector, on left A-pillar
- T28b 28-pin connector, on right A-pillar
- T32a 32-pin connector, on left A-pillar
- T73c 73-pin connector, black

- 205 Earth connection, in driver door wiring harness
- 206 Earth connection, in front passenger door wiring harness
- 370 Earth connection 5, in main wiring harness
- 372 Earth connection 7, in main wiring harness
- 379 Earth connection 14, in main wiring harness
- 638 Earth point, on right A-pillar
- 639 Earth point, left A-pillar
- B278 Positive connection 2 (15a) in main wiring harness
- B340 Connection 1 (58d), in main wiring harness
- B626 Positive connection 2 (15), in main wiring harness
- R81 Connection 1 (58d), in driver side door wiring harness

- ws = white
- sw = black
- ro = red
- rt = red
- br = brown
- gn = green
- bl = blue
- gr = grey
- li = purple
- vi = purple
- ge = yellow
- or = orange
- rs = pink

- * According to equipment
- *2 Only models with battery in luggage compartment
- *3 Only models with battery in engine compartment

[NH0-043030216]



Mirror adjustment switch

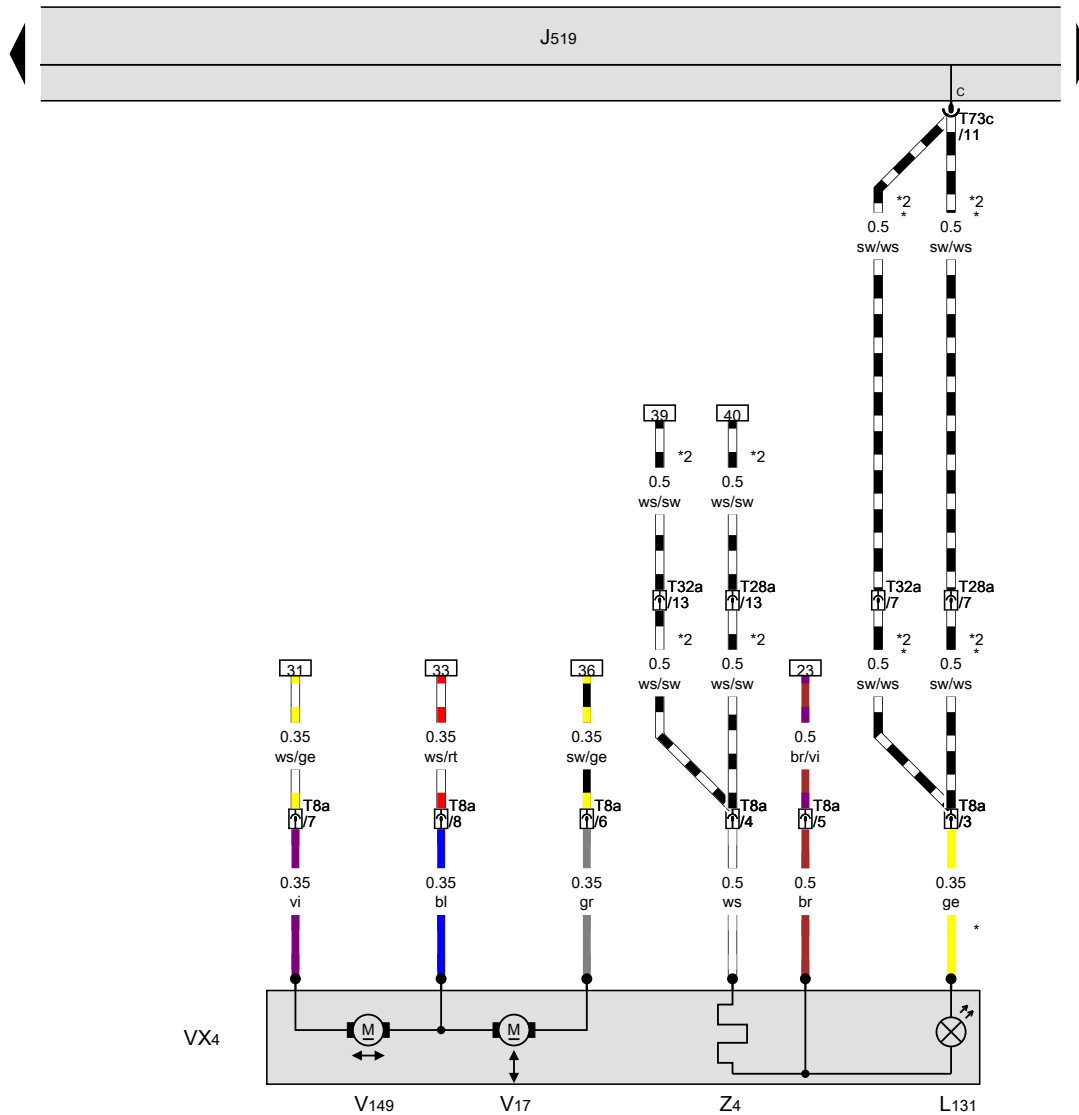
- E43 Mirror adjustment switch
- E48 Mirror adjustment changeover switch
- E231 Exterior mirror heater button
- J519 Onboard supply control unit
- L78 Mirror adjustment switch illumination bulb
- T10t 10-pin connector
- T28a 28-pin connector, on left A-pillar
- T32a 32-pin connector, on left A-pillar
- T73a 73-pin connector, black
- T73c 73-pin connector, black

R27 Connection (mirror adjustment), in driver door wiring harness

R82 Positive connection 1 (15a), in driver side door wiring harness

* According to equipment

- ws = white
- sw = black
- ro = red
- rt = red
- br = brown
- gn = green
- bl = blue
- gr = grey
- li = purple
- vi = purple
- ge = yellow
- or = orange
- rs = pink



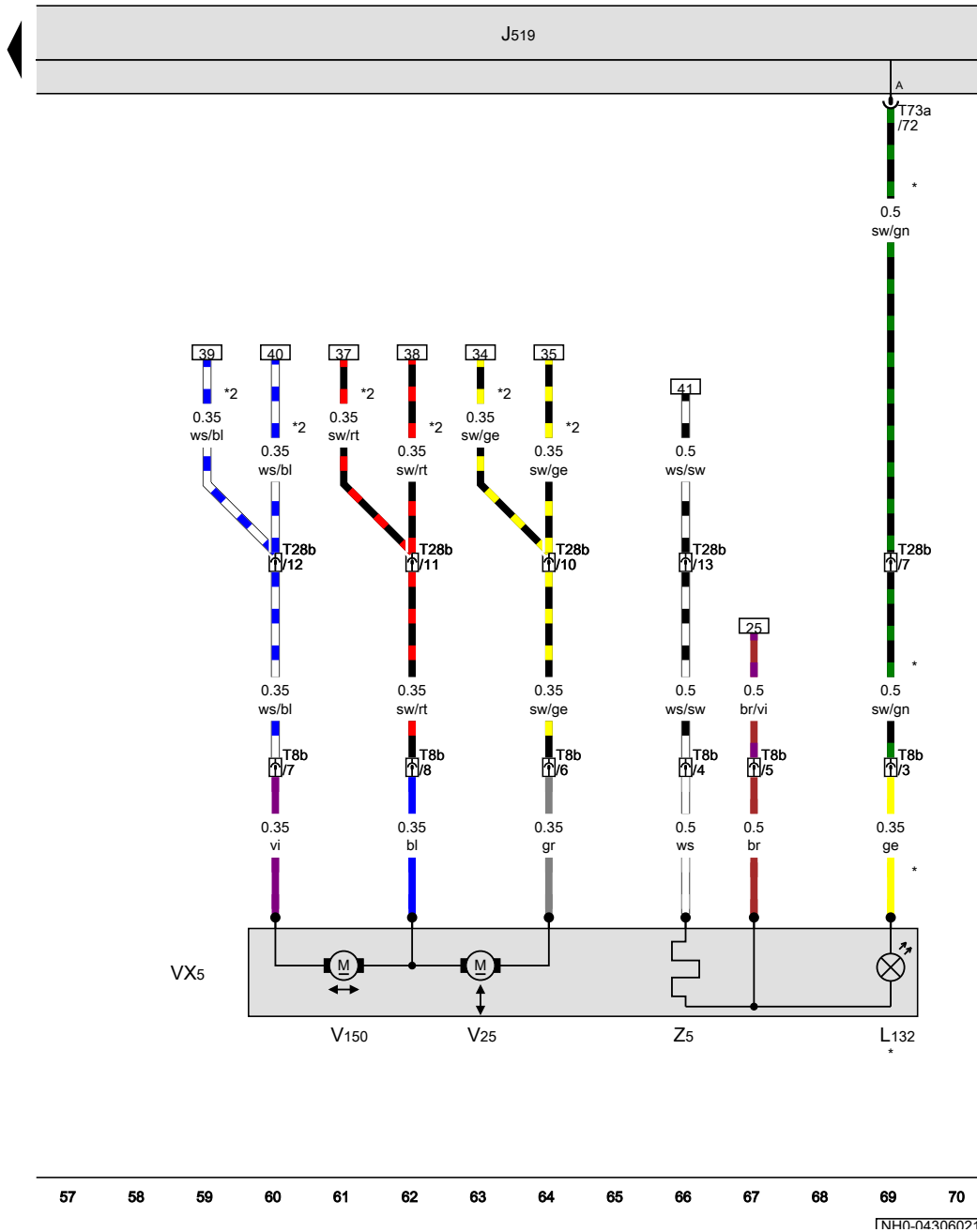
Driver side exterior mirror

- J519 Onboard supply control unit
- L131 Driver side turn signal repeater bulb
- T8a 8-pin connector
- T28a 28-pin connector, on left A-pillar
- T32a 32-pin connector, on left A-pillar
- T73c 73-pin connector, black
- VX4 Driver side exterior mirror
- V17 Driver side mirror adjustment motor 2
- V149 Driver side mirror adjustment motor
- Z4 Heated exterior mirror on driver side
- * Not for models with equipment for Russia
- *2 According to equipment

- ws = white
- sw = black
- ro = red
- rt = red
- br = brown
- gn = green
- bl = blue
- gr = grey
- li = purple
- vi = purple
- ge = yellow
- or = orange
- rs = pink

Front passenger side exterior mirror

- J519 Onboard supply control unit
- L132 Front passenger side turn signal repeater bulb
- T8b 8-pin connector
- T28b 28-pin connector, on right A-pillar
- T73a 73-pin connector, black
- VX5 Front passenger side exterior mirror
- V25 Front passenger side mirror adjustment motor 2
- V150 Front passenger side mirror adjustment motor
- Z5 Heated exterior mirror on front passenger side
- * Not for models with equipment for Russia
- *2 According to equipment



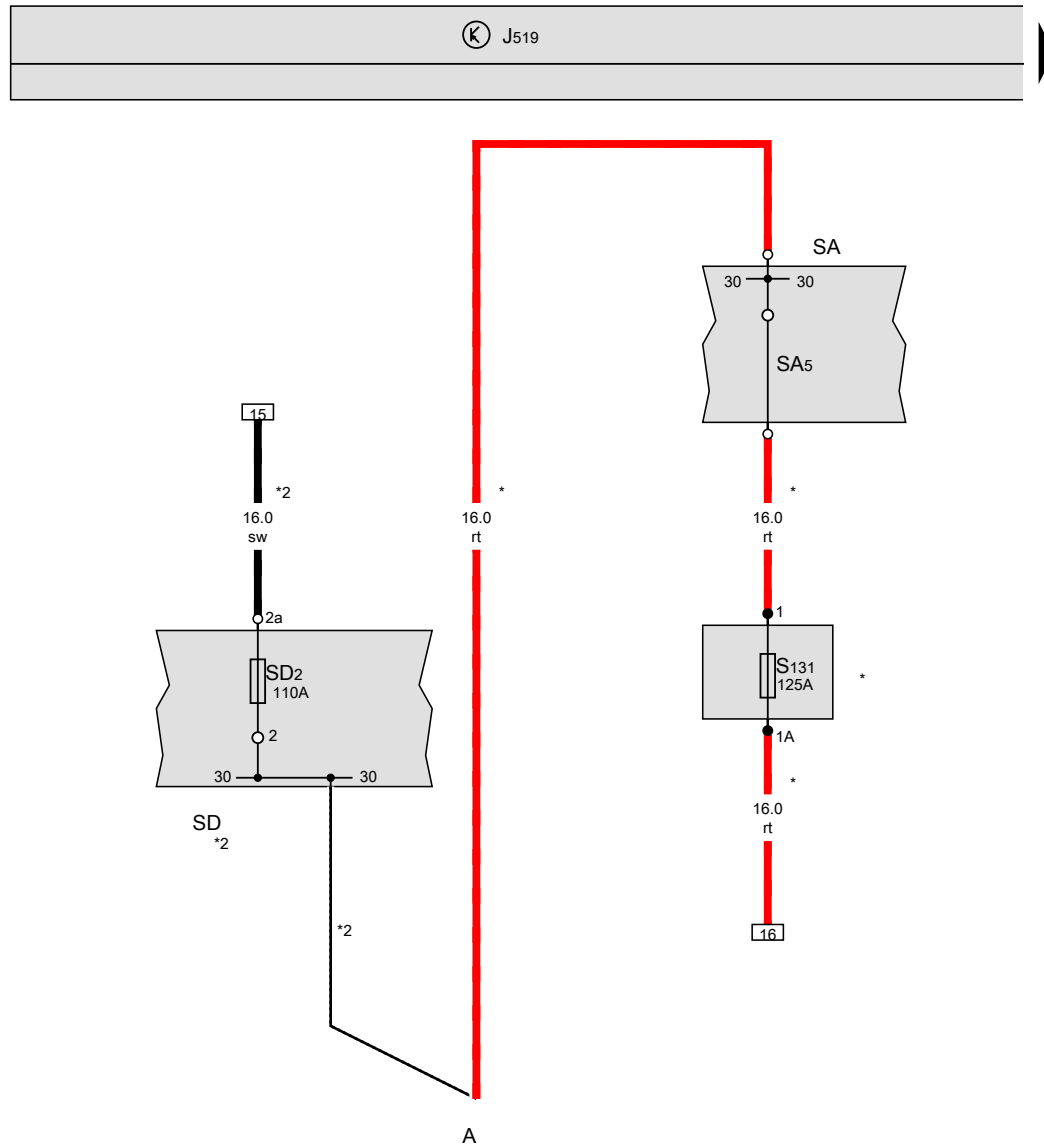
- ws = white
- sw = black
- ro = red
- rt = red
- br = brown
- gn = green
- bl = blue
- gr = grey
- li = purple
- vi = purple
- ge = yellow
- or = orange
- rs = pink

Headlight washer system

From May 2015

Battery, Fuse holder A, Fuse holder D

- A Battery
- J519 Onboard supply control unit
- SD2 Fuse 2 on fuse holder D
- SA5 Fuse 5 in fuse holder A
- S131 Fuse 1, in main wiring harness
- SA Fuse holder A
- SD Fuse holder D
- * Only models with battery in engine compartment
- *2 Only models with battery in luggage compartment



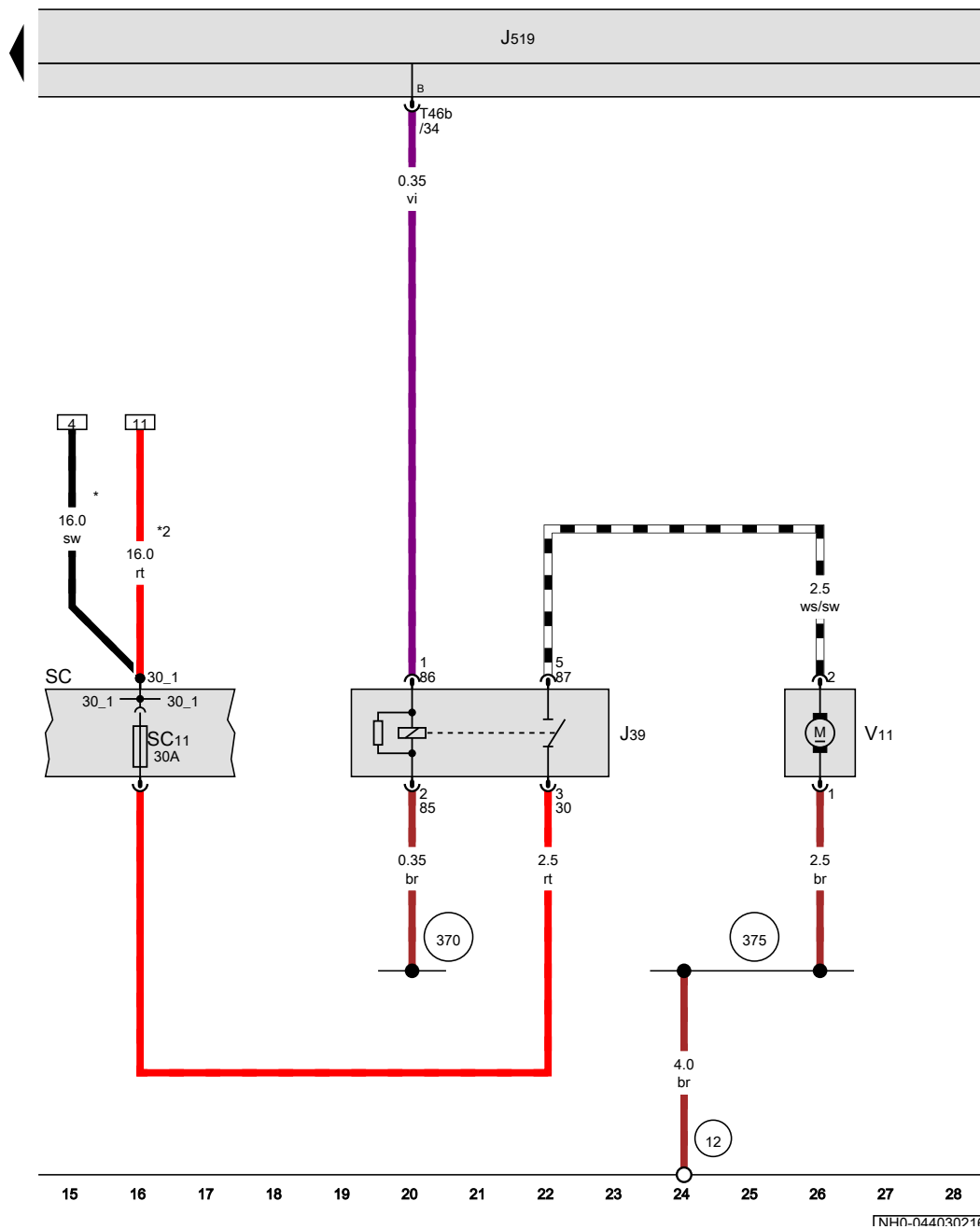
- ws = white
- sw = black
- ro = red
- rt = red
- br = brown
- gn = green
- bl = blue
- gr = grey
- li = purple
- vi = purple
- ge = yellow
- or = orange
- rs = pink

Headlight washer system relay, Fuse holder C, Headlight washer system pump

- J39 Headlight washer system relay
- J519 Onboard supply control unit
- SC Fuse holder C
- SC11 Fuse 11 on fuse holder C
- T46b 46-pin connector, brown
- V11 Headlight washer system pump

- 12 Earth point, on left in engine compartment
- 370 Earth connection 5, in main wiring harness
- 375 Earth connection 10, in main wiring harness

- * Only models with battery in luggage compartment
- *2 Only models with battery in engine compartment

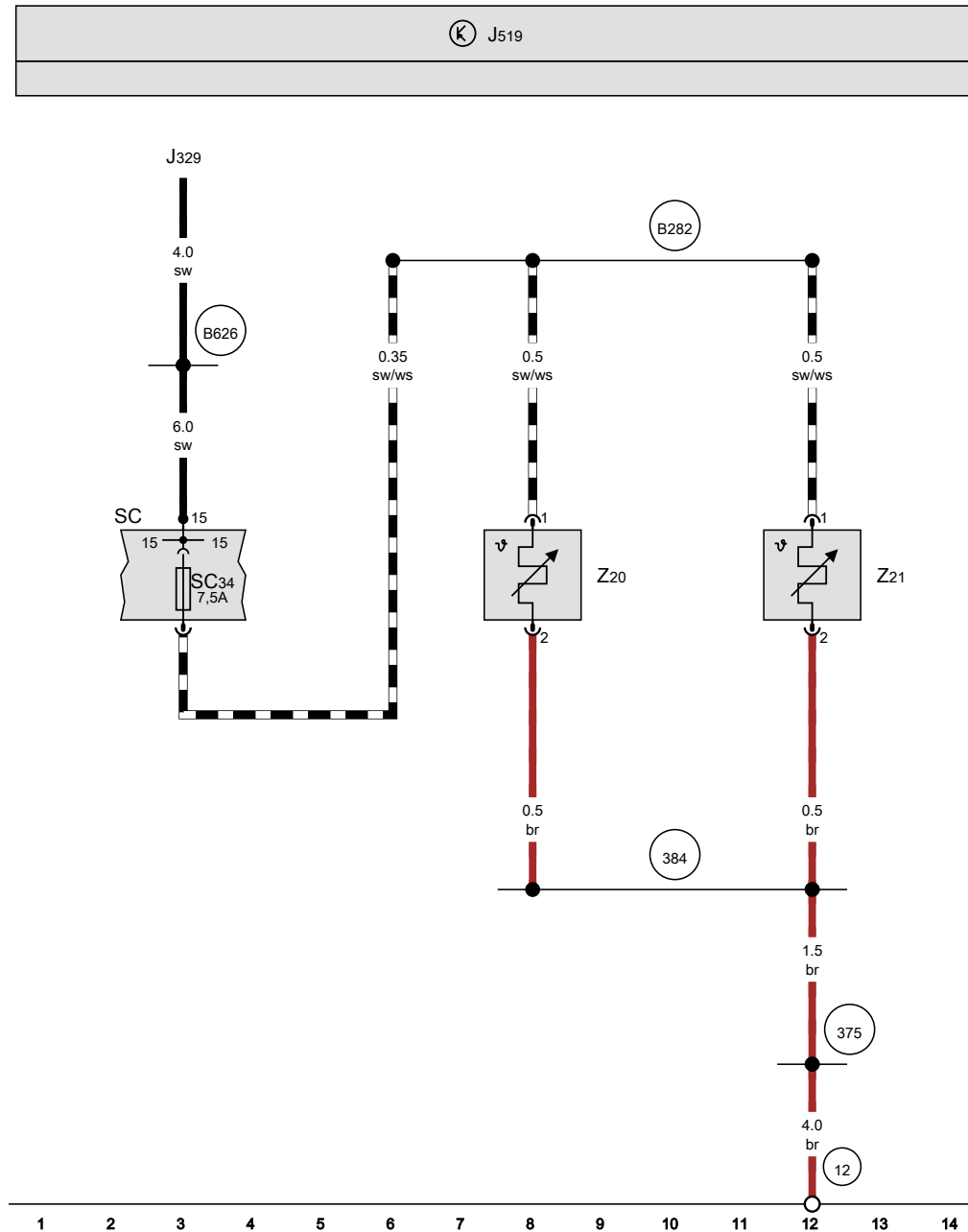


- ws = white
- sw = black
- ro = red
- rt = red
- br = brown
- gn = green
- bl = blue
- gr = grey
- li = purple
- vi = purple
- ge = yellow
- or = orange
- rs = pink

[NH0-044030216]

Heated washer jets

From May 2015



Fuse holder C, Left washer jet heater element, Right washer jet heater element

- J329 Terminal 15 voltage supply relay
- J519 Onboard supply control unit
- SC Fuse holder C
- SC34 Fuse 34 on fuse holder C
- Z20 Left washer jet heater element
- Z21 Right washer jet heater element

- 12 Earth point, on left in engine compartment
- 375 Earth connection 10, in main wiring harness
- 384 Earth connection 19, in main wiring harness
- B282 Positive connection 6 (15a) in main wiring harness
- B626 Positive connection 2 (15), in main wiring harness

- ws = white
- sw = black
- ro = red
- rt = red
- br = brown
- gn = green
- bl = blue
- gr = grey
- li = purple
- vi = purple
- ge = yellow
- or = orange
- rs = pink

[NH0-045020216]

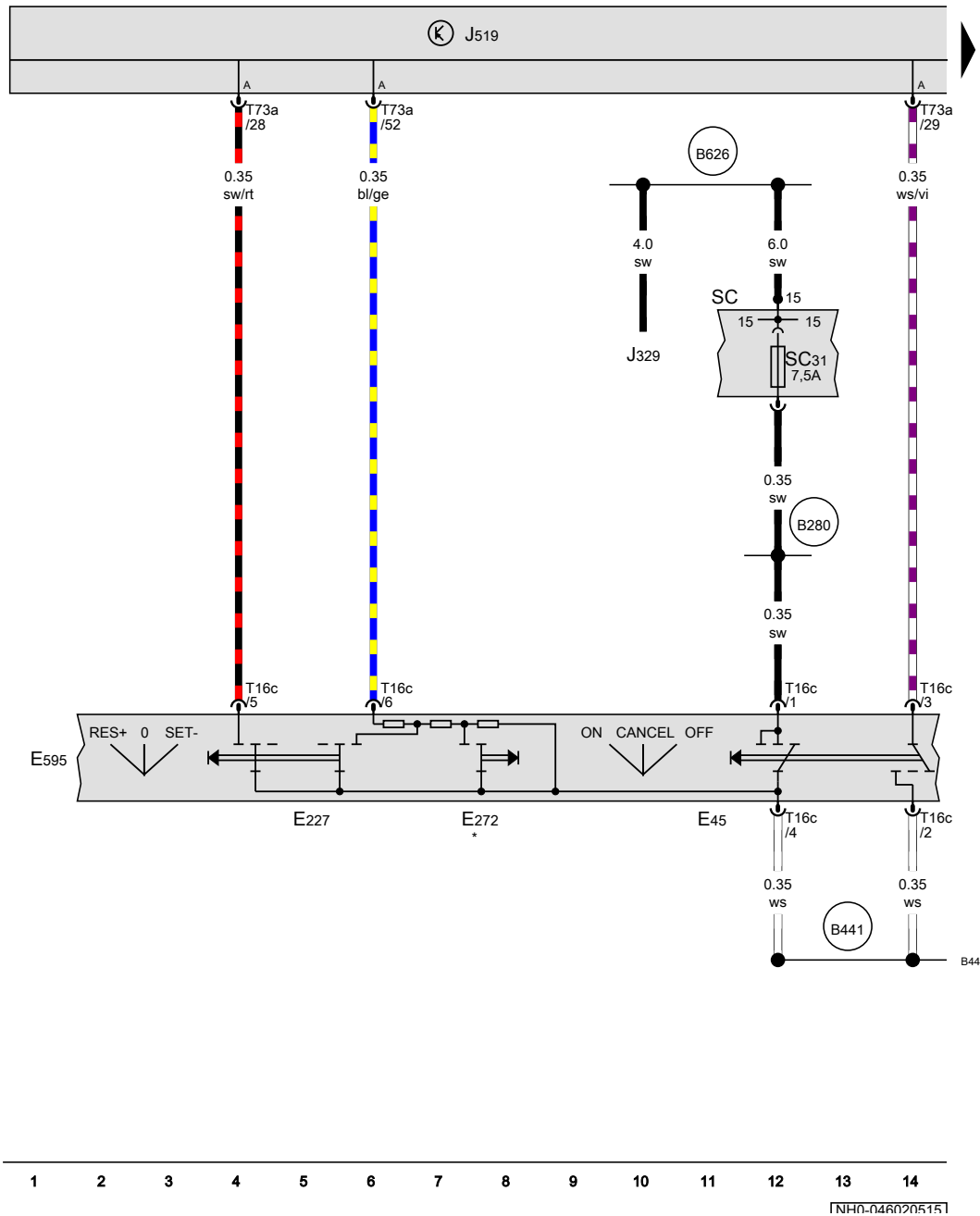
Cruise control system (CCS)

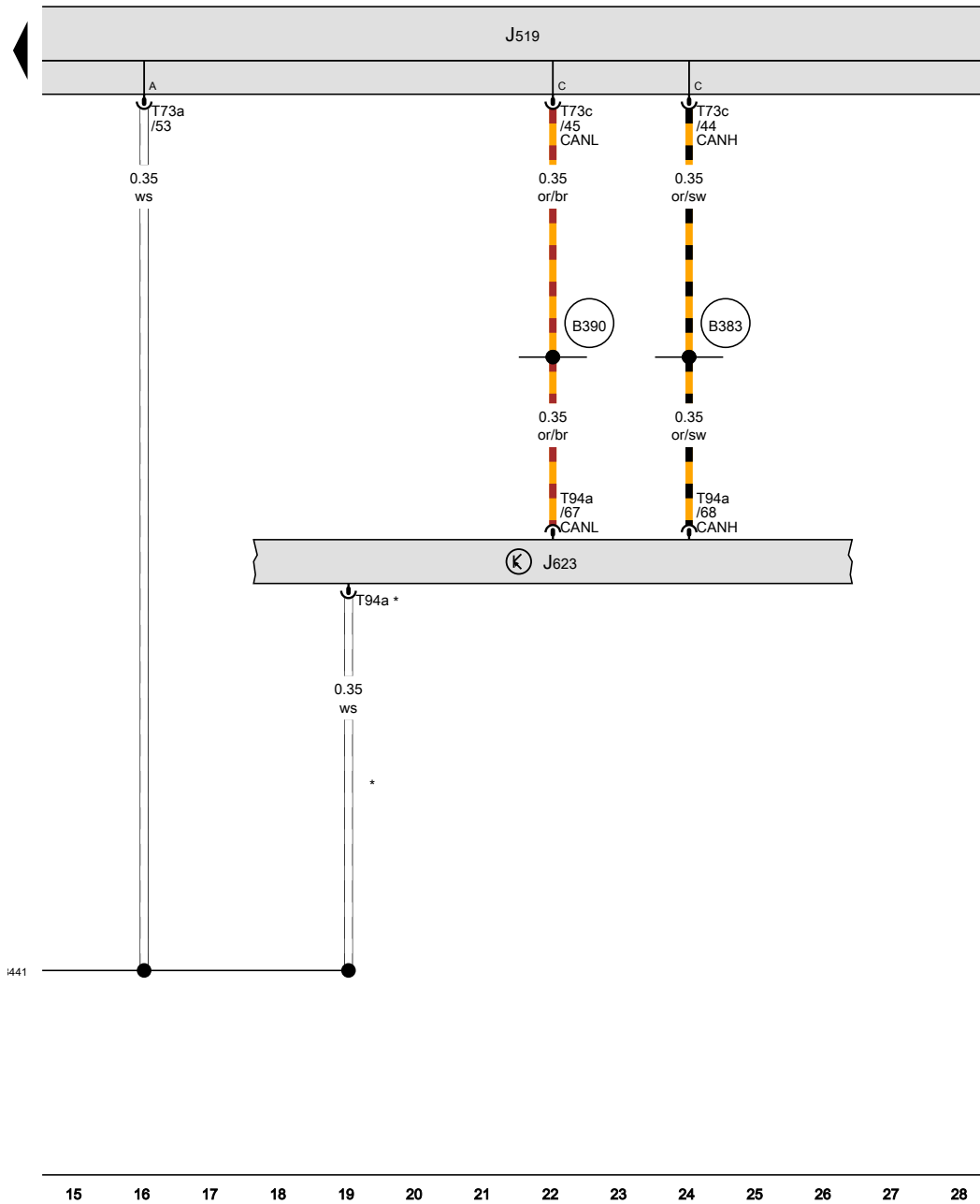
From May 2015

Cruise control system switch, Cruise control system (CCS) SET button, Function selection switch 2, Steering column combination switch, Fuse holder C

- E45 Cruise control system switch
- E227 Cruise control system (CCS) SET button
- E272 Function selection switch 2
- E595 Steering column combination switch
- J329 Terminal 15 voltage supply relay
- J519 Onboard supply control unit
- SC Fuse holder C
- SC31 Fuse 31 on fuse holder C
- T16c 16-pin connector
- T73a 73-pin connector, black

- (B280) Positive connection 4 (15a) in main wiring harness
- (B441) Connection (CCS), in main wiring harness
- (B626) Positive connection 2 (15), in main wiring harness
- * According to equipment





Engine control unit

- J519 Onboard supply control unit
- J623 Engine control unit
- T73a 73-pin connector, black
- T73c 73-pin connector, black
- T94a 94-pin connector

- B383** Connection 1 (powertrain CAN bus, high), in main wiring harness
- B390** Connection 1 (powertrain CAN bus, low), in main wiring harness
- B441** Connection (CCS), in main wiring harness

* see applicable current flow diagram for engine

- ws = white
- sw = black
- ro = red
- rt = red
- br = brown
- gn = green
- bl = blue
- gr = grey
- li = purple
- vi = purple
- ge = yellow
- or = orange
- rs = pink

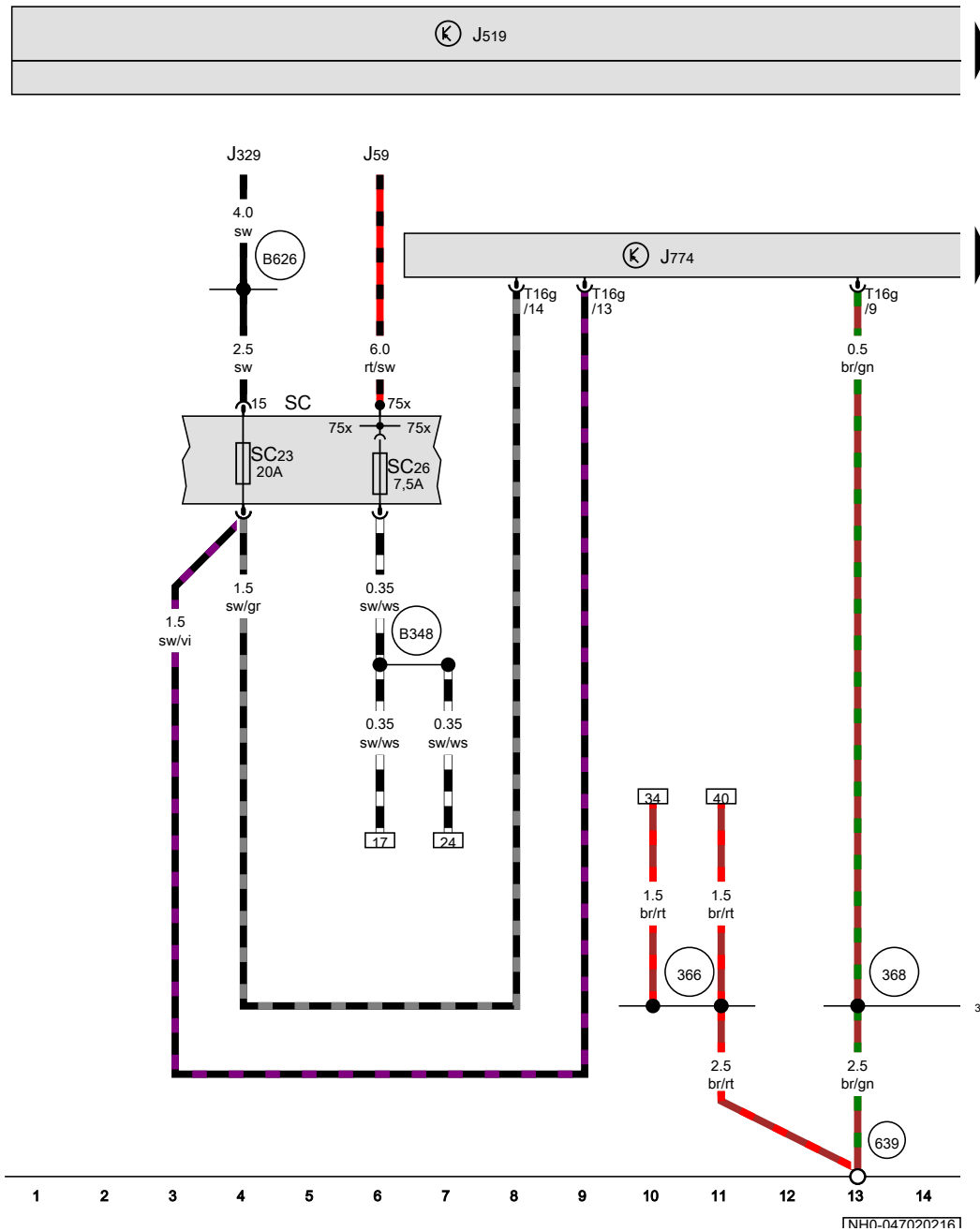
[NH0-046030515]

Seat heating , (L0L)
From May 2015

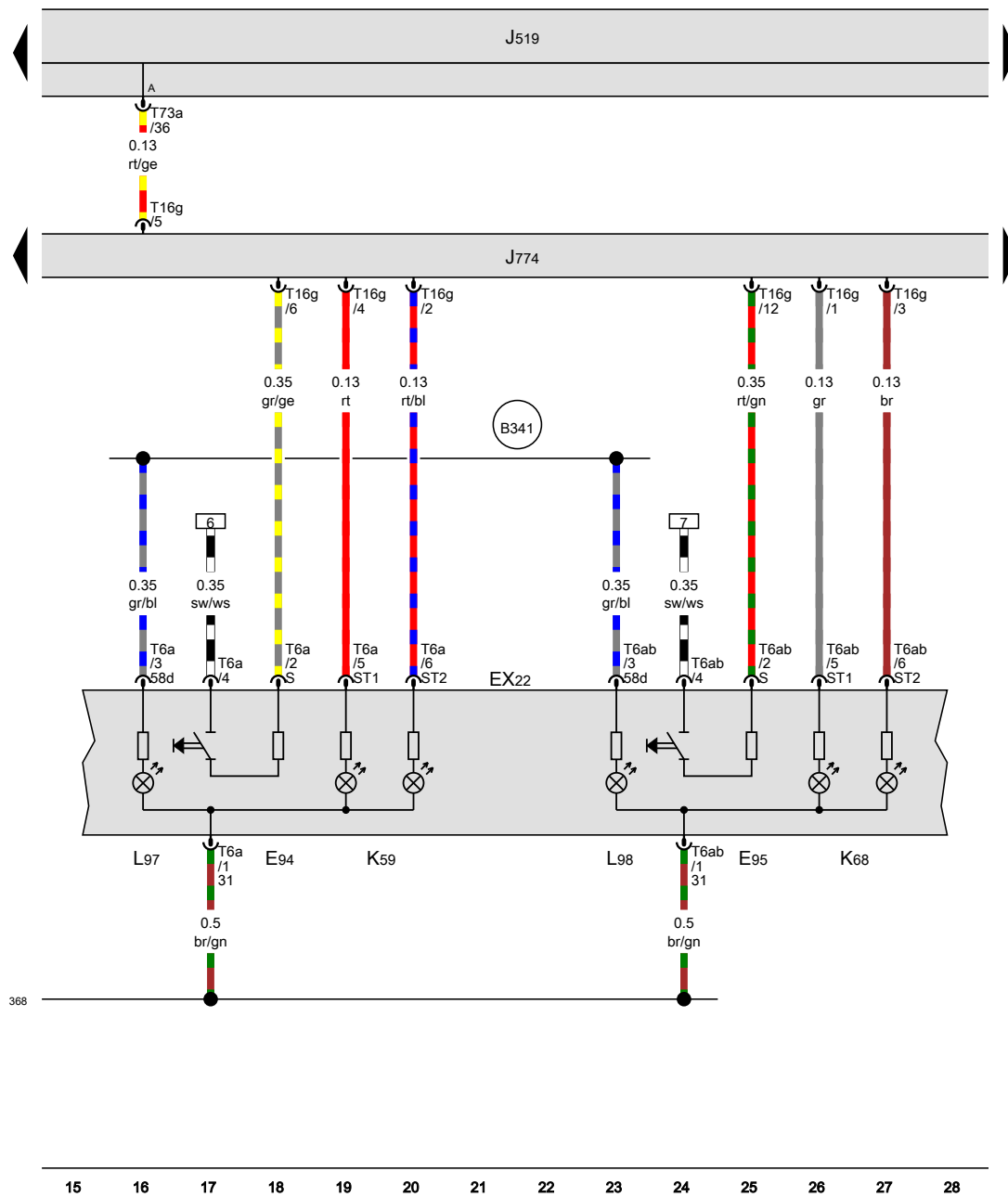
Heated front seats control unit, Fuse holder C

- J59 X-contact relief relay
- J329 Terminal 15 voltage supply relay
- J519 Onboard supply control unit
- J774 Heated front seats control unit, behind dash panel, centre
- SC Fuse holder C
- SC23 Fuse 23 on fuse holder C
- SC26 Fuse 26 on fuse holder C
- T16g 16-pin connector

- 366 Earth connection 1, in main wiring harness
- 368 Earth connection 3, in main wiring harness
- 639 Earth point, left A-pillar
- B348 Connection 1 (75a), in main wiring harness
- B626 Positive connection 2 (15), in main wiring harness



[NH0-047020216]



Centre switch module in dash panel, Heated driver seat regulator, Heated front passenger seat regulator, Heated front seats control unit

- EX22 Centre switch module in dash panel
- E94 Heated driver seat regulator
- E95 Heated front passenger seat regulator
- J519 Onboard supply control unit
- J774 Heated front seats control unit, behind dash panel, centre
- K59 Heated driver seat warning lamp
- K68 Heated front passenger seat warning lamp
- L97 Heated driver seat switch illumination bulb
- L98 Heated front passenger seat switch illumination bulb
- T6a 6-pin connector, red
- T6ab 6-pin connector, blue
- T16g 16-pin connector
- T73a 73-pin connector, black

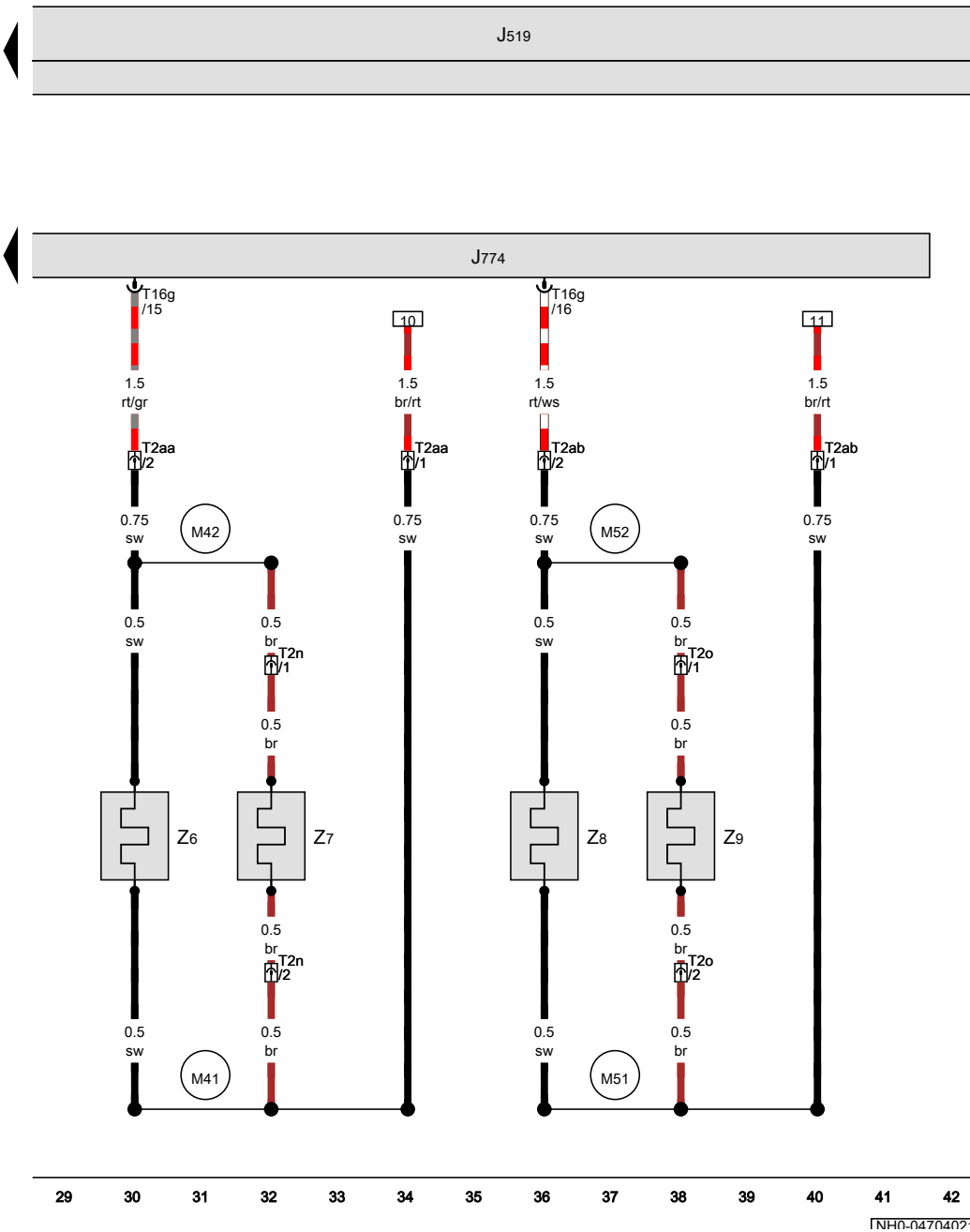
- 368 Earth connection 3, in main wiring harness
- B341 Connection 2 (58d), in main wiring harness

- ws = white
- sw = black
- ro = red
- rt = red
- br = brown
- gn = green
- bl = blue
- gr = grey
- li = purple
- vi = purple
- ge = yellow
- or = orange
- rs = pink

Heated front seats control unit, Heated seat cushion for driver seat, Heated backrest for driver seat, Heated seat cushion for front passenger seat, Heated backrest for front passenger seat

- J519 Onboard supply control unit
- J774 Heated front seats control unit, behind dash panel, centre
- T2aa 2-pin connector, under driver seat, red
- T2ab 2-pin connector, under front passenger seat, red
- T2n 2-pin connector, under driver seat
- T2o 2-pin connector, under front passenger seat
- T16g 16-pin connector
- Z6 Heated seat cushion for driver seat
- Z7 Heated backrest for driver seat
- Z8 Heated seat cushion for front passenger seat
- Z9 Heated backrest for front passenger seat

- M41 Connection 1, in driver seat wiring harness
- M42 Connection 2, in driver seat wiring harness
- M51 Connection 1, in front passenger seat wiring harness
- M52 Connection 2, in front passenger seat wiring harness



- ws = white
- sw = black
- ro = red
- rt = red
- br = brown
- gn = green
- bl = blue
- gr = grey
- li = purple
- vi = purple
- ge = yellow
- or = orange
- rs = pink

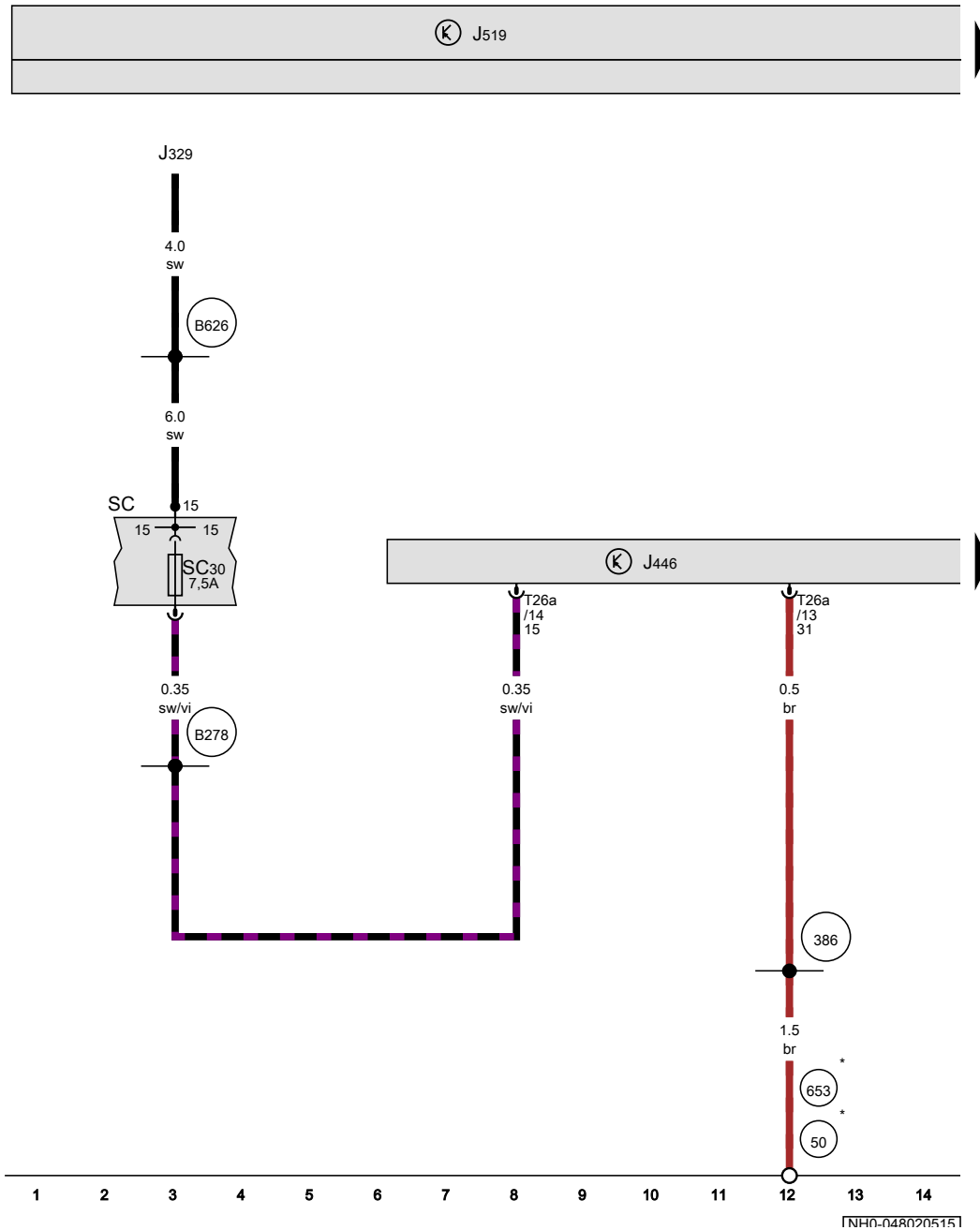
Rear parking aid (PDC)

From May 2015

Parking aid control unit, Fuse holder C

- J329 Terminal 15 voltage supply relay
- J446 Parking aid control unit
- J519 Onboard supply control unit
- SC Fuse holder C
- SC30 Fuse 30 on fuse holder C
- T26a 26-pin connector

- 50 Earth point, on left in luggage compartment
- 386 Earth connection 21, in main wiring harness
- 653 Earth point, on left D-pillar
- B278 Positive connection 2 (15a) in main wiring harness
- B626 Positive connection 2 (15), in main wiring harness
- * see fitting locations



- ws = white
- sw = black
- ro = red
- rt = red
- br = brown
- gn = green
- bl = blue
- gr = grey
- li = purple
- vi = purple
- ge = yellow
- or = orange
- rs = pink

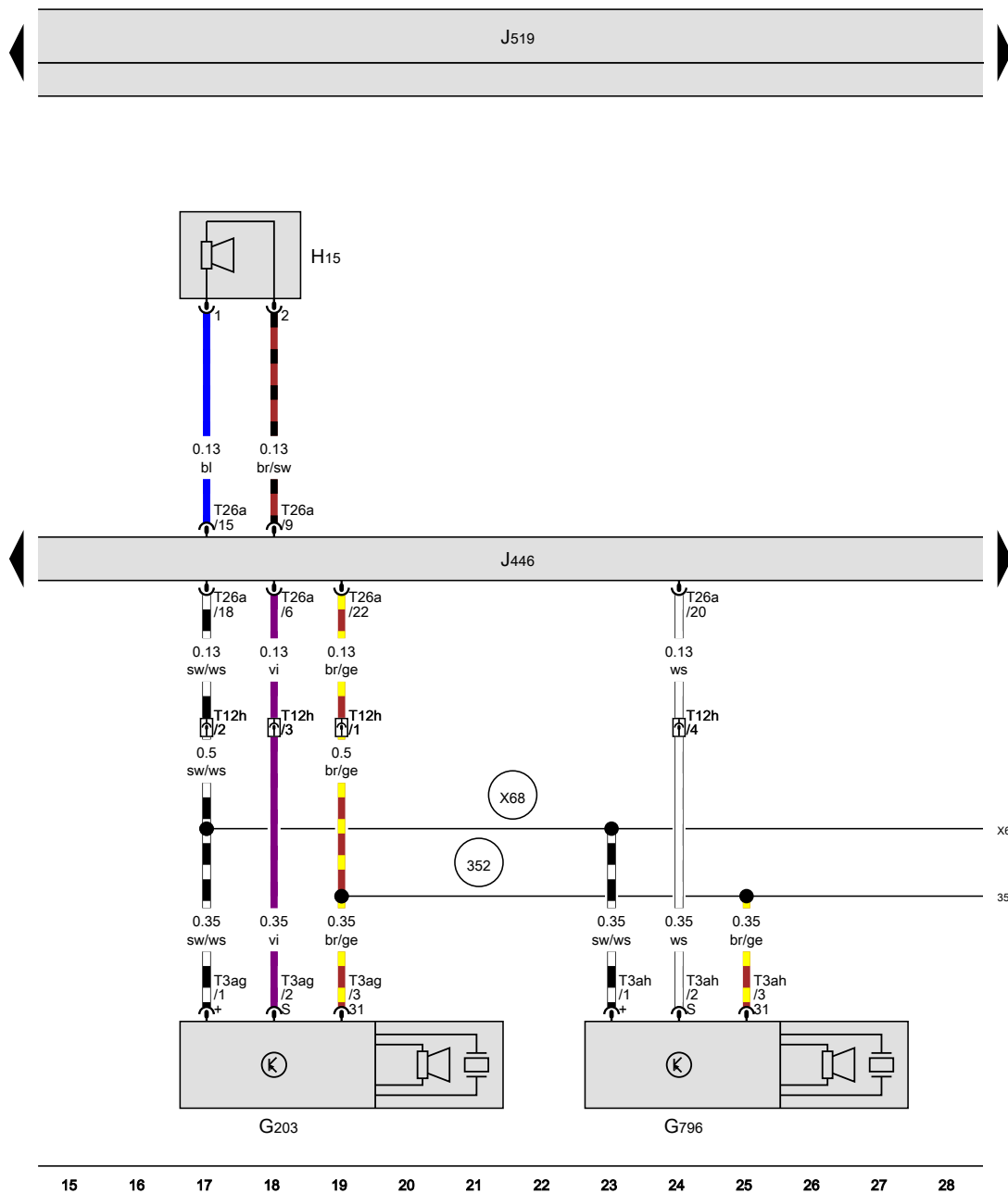
[NH0-048020515]

Rear left parking aid sender, Rear centre parking aid sender, Rear parking aid warning buzzer, Parking aid control unit

- G203 Rear left parking aid sender
- G796 Rear centre parking aid sender
- H15 Rear parking aid warning buzzer
- J446 Parking aid control unit
- J519 Onboard supply control unit
- T3ag 3-pin connector
- T3ah 3-pin connector
- T12h 12-pin connector, in luggage compartment, rear left
- T26a 26-pin connector

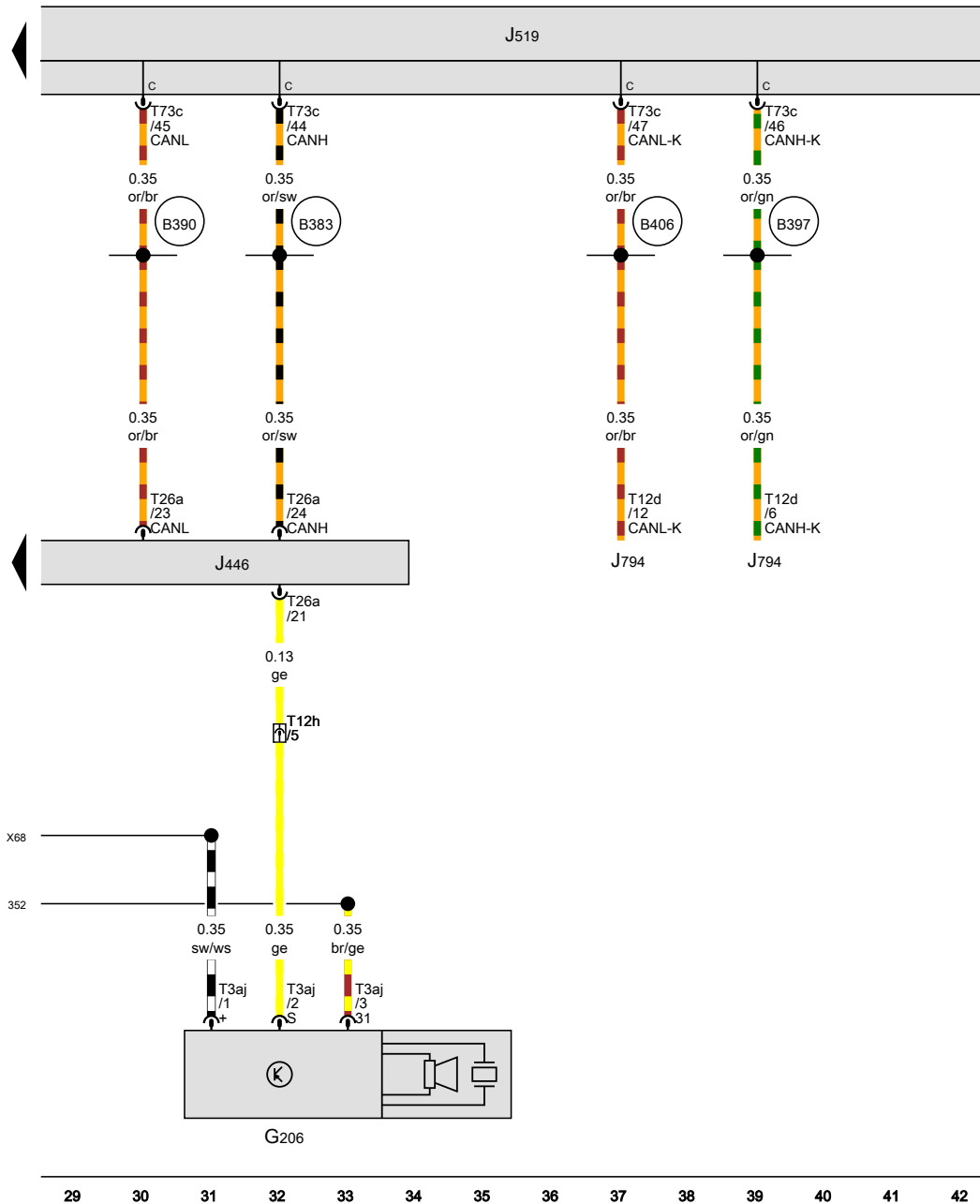
352 Earth connection (parking aid), in rear bumper wiring harness

X68 Positive connection (parking aid), in rear bumper wiring harness



- ws = white
- sw = black
- ro = red
- rt = red
- br = brown
- gn = green
- bl = blue
- gr = grey
- li = purple
- vi = purple
- ge = yellow
- or = orange
- rs = pink

[NH0-048030515]



Rear right parking aid sender, Parking aid control unit

- G206 Rear right parking aid sender
- J446 Parking aid control unit
- J519 Onboard supply control unit
- J794 Control unit 1 for information electronics
- T3aj 3-pin connector
- T12d 12-pin connector, grey
- T12h 12-pin connector, in luggage compartment, rear left
- T26a 26-pin connector
- T73c 73-pin connector, black

- (352) Earth connection (parking aid), in rear bumper wiring harness
- (B383) Connection 1 (powertrain CAN bus, high), in main wiring harness
- (B390) Connection 1 (powertrain CAN bus, low), in main wiring harness
- (B397) Connection 1 (convenience CAN bus, high), in main wiring harness
- (B406) Connection 1 (convenience CAN bus, low), in main wiring harness
- (6X8) Positive connection (parking aid), in rear bumper wiring harness

- ws = white
- sw = black
- ro = red
- rt = red
- br = brown
- gn = green
- bl = blue
- gr = grey
- li = purple
- vi = purple
- ge = yellow
- or = orange
- rs = pink

[NH0-048040515]

Front and rear parking aid (PDC)

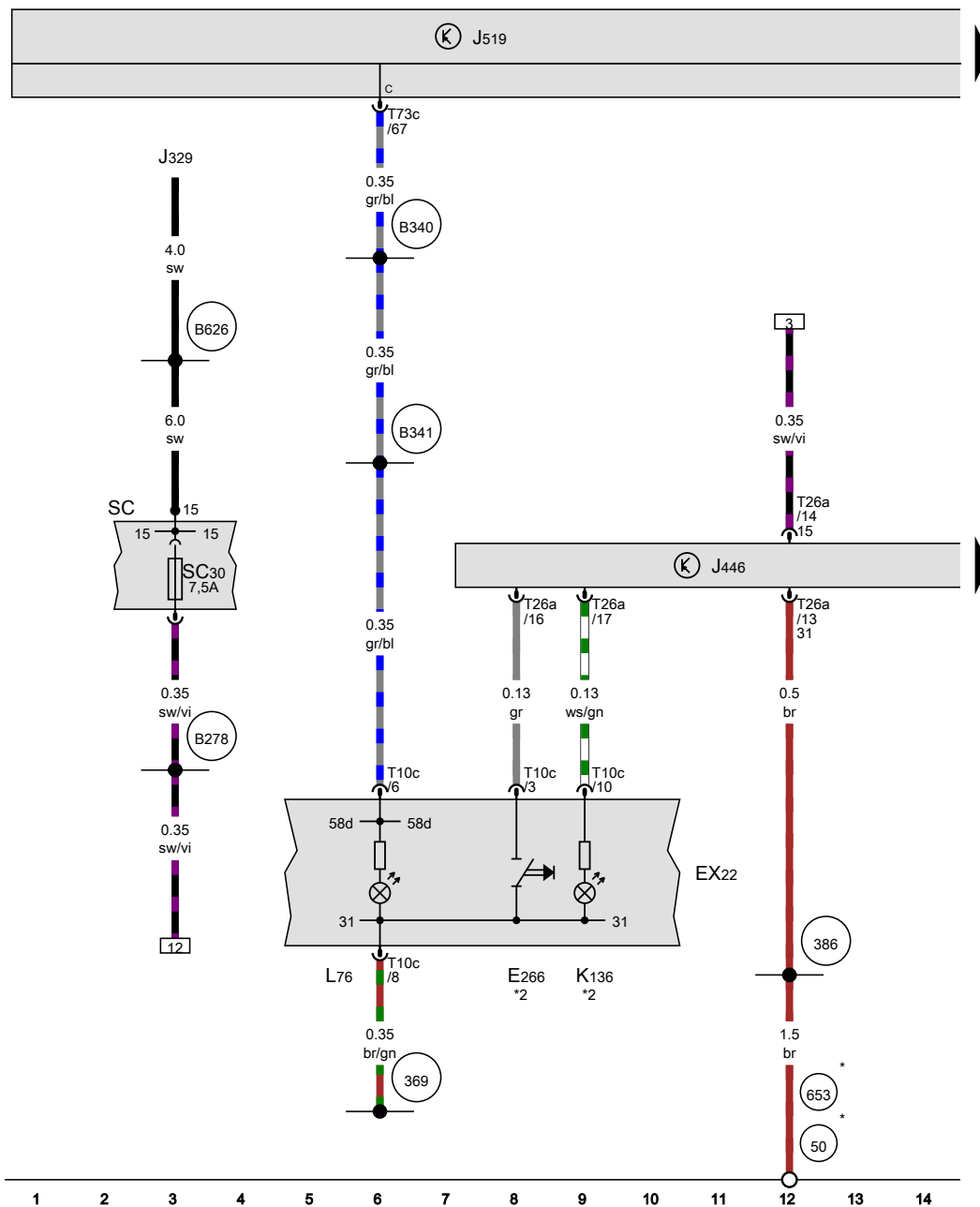
From May 2015

Centre switch module in dash panel, Parking aid button, Parking aid control unit, Parking aid warning lamp, Fuse holder C

- EX22 Centre switch module in dash panel
- E266 Parking aid button
- J329 Terminal 15 voltage supply relay
- J446 Parking aid control unit
- J519 Onboard supply control unit
- K136 Parking aid warning lamp
- L76 Button illumination bulb
- SC Fuse holder C
- SC30 Fuse 30 on fuse holder C
- T10c 10-pin connector, black
- T26a 26-pin connector
- T73c 73-pin connector, black

- 50 Earth point, on left in luggage compartment
- 369 Earth connection 4, in main wiring harness
- 386 Earth connection 21, in main wiring harness
- 653 Earth point, on left D-pillar
- B278 Positive connection 2 (15a) in main wiring harness
- B340 Connection 1 (58d), in main wiring harness
- B341 Connection 2 (58d), in main wiring harness
- B626 Positive connection 2 (15), in main wiring harness
- * see fitting locations
- *2 According to equipment

- ws = white
- sw = black
- ro = red
- rt = red
- br = brown
- gn = green
- bl = blue
- gr = grey
- li = purple
- vi = purple
- ge = yellow
- or = orange
- rs = pink

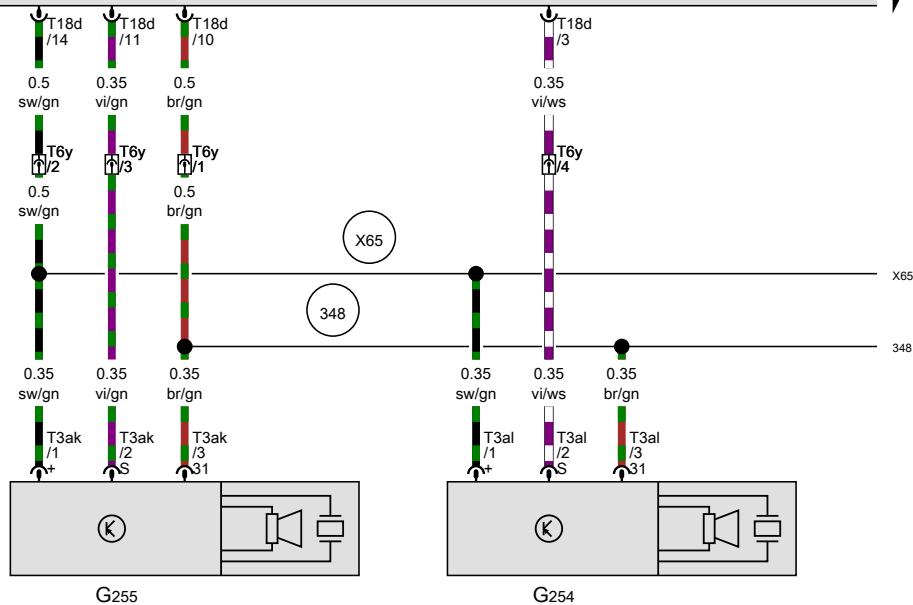
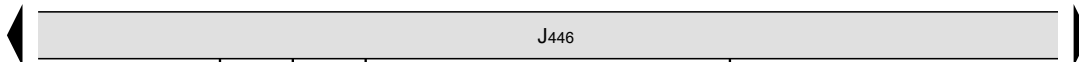
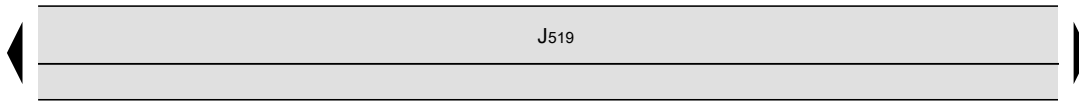


NH0-0490205151

Front centre left parking aid sender, Front left parking aid sender, Parking aid control unit

- G254 Front centre left parking aid sender
- G255 Front left parking aid sender
- J446 Parking aid control unit
- J519 Onboard supply control unit
- T3ak 3-pin connector
- T3al 3-pin connector
- T6y 6-pin connector, front left in engine compartment
- T18d 18-pin connector

- 348 Earth connection (parking aid), in front bumper wiring harness
- X65 Connection (parking aid), in front bumper wiring harness



- ws = white
- sw = black
- ro = red
- rt = red
- br = brown
- gn = green
- bl = blue
- gr = grey
- li = purple
- vi = purple
- ge = yellow
- or = orange
- rs = pink

15 16 17 18 19 20 21 22 23 24 25 26 27 28

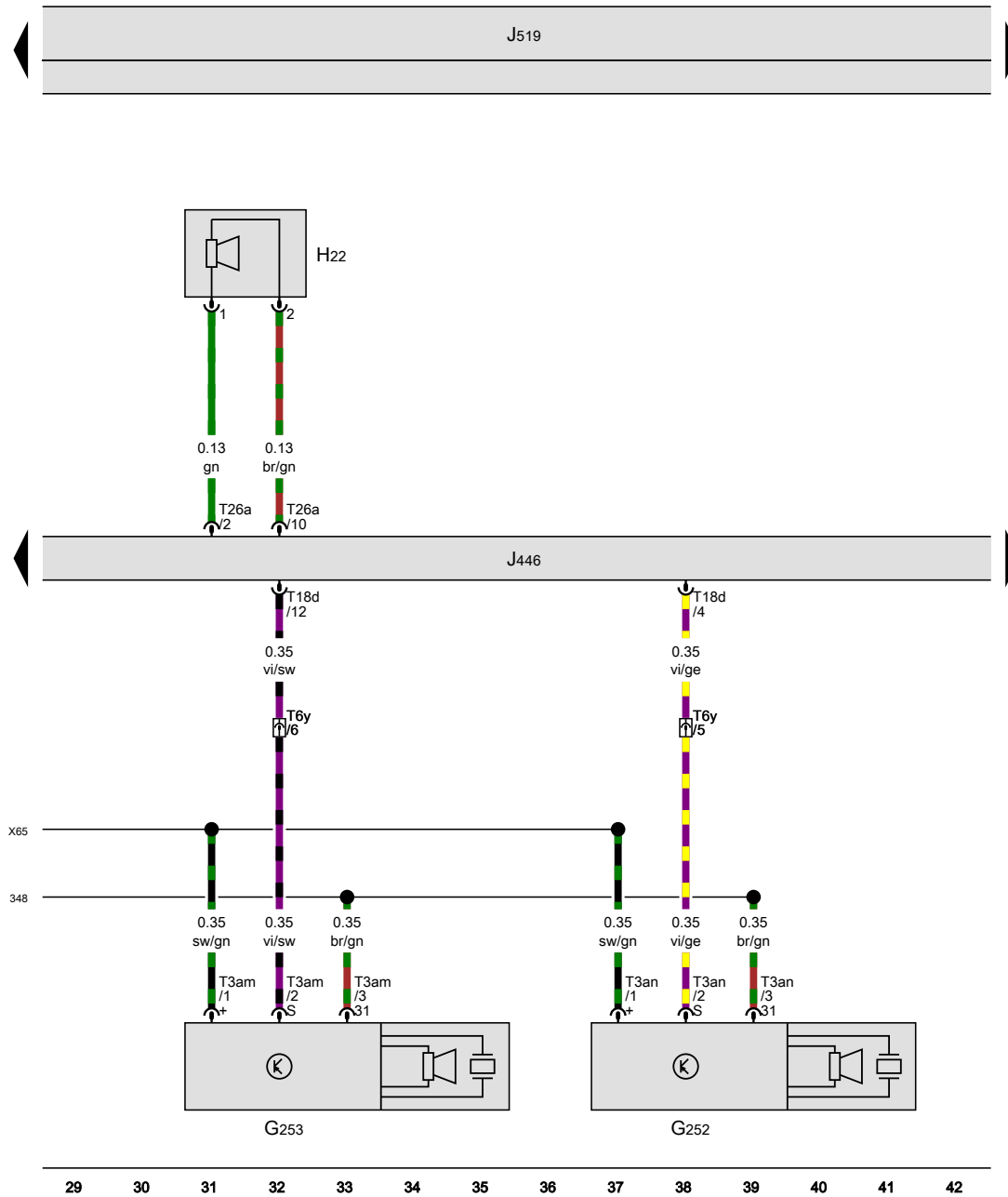
[NH0-049030515]

Front right parking aid sender, Front centre right parking aid sender, Front parking aid warning buzzer, Parking aid control unit

- G252 Front right parking aid sender
- G253 Front centre right parking aid sender
- H22 Front parking aid warning buzzer
- J446 Parking aid control unit
- J519 Onboard supply control unit
- T3am 3-pin connector
- T3an 3-pin connector
- T6y 6-pin connector, front left in engine compartment
- T18d 18-pin connector
- T26a 26-pin connector

348 Earth connection (parking aid), in front bumper wiring harness

X65 Connection (parking aid), in front bumper wiring harness



- ws = white
- sw = black
- ro = red
- rt = red
- br = brown
- gn = green
- bl = blue
- gr = grey
- li = purple
- vi = purple
- ge = yellow
- or = orange
- rs = pink

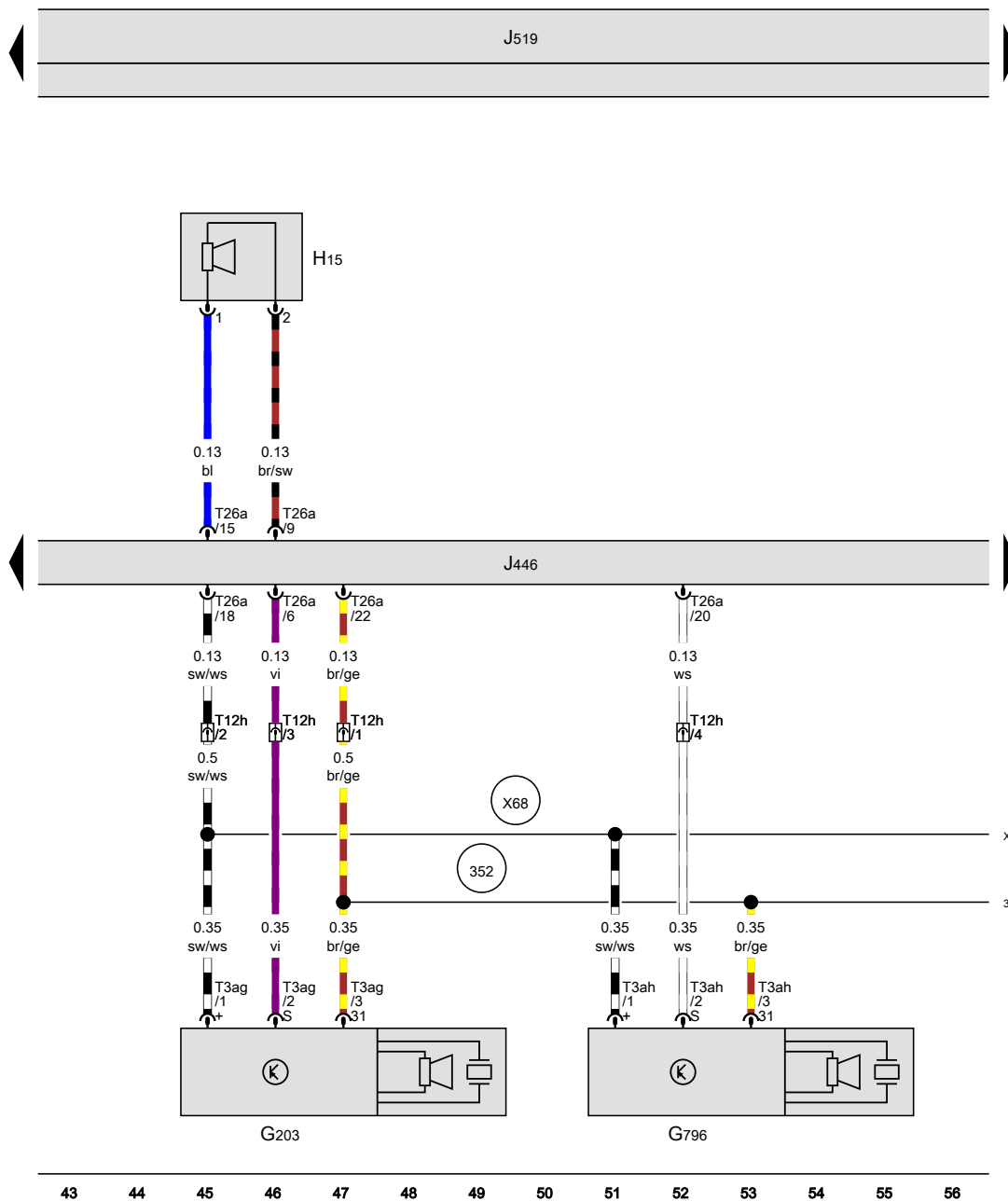
[NH0-n49n40515]

Rear left parking aid sender, Rear centre parking aid sender, Rear parking aid warning buzzer, Parking aid control unit

- G203 Rear left parking aid sender
- G796 Rear centre parking aid sender
- H15 Rear parking aid warning buzzer
- J446 Parking aid control unit
- J519 Onboard supply control unit
- T3ag 3-pin connector
- T3ah 3-pin connector
- T12h 12-pin connector, in luggage compartment, rear left
- T26a 26-pin connector

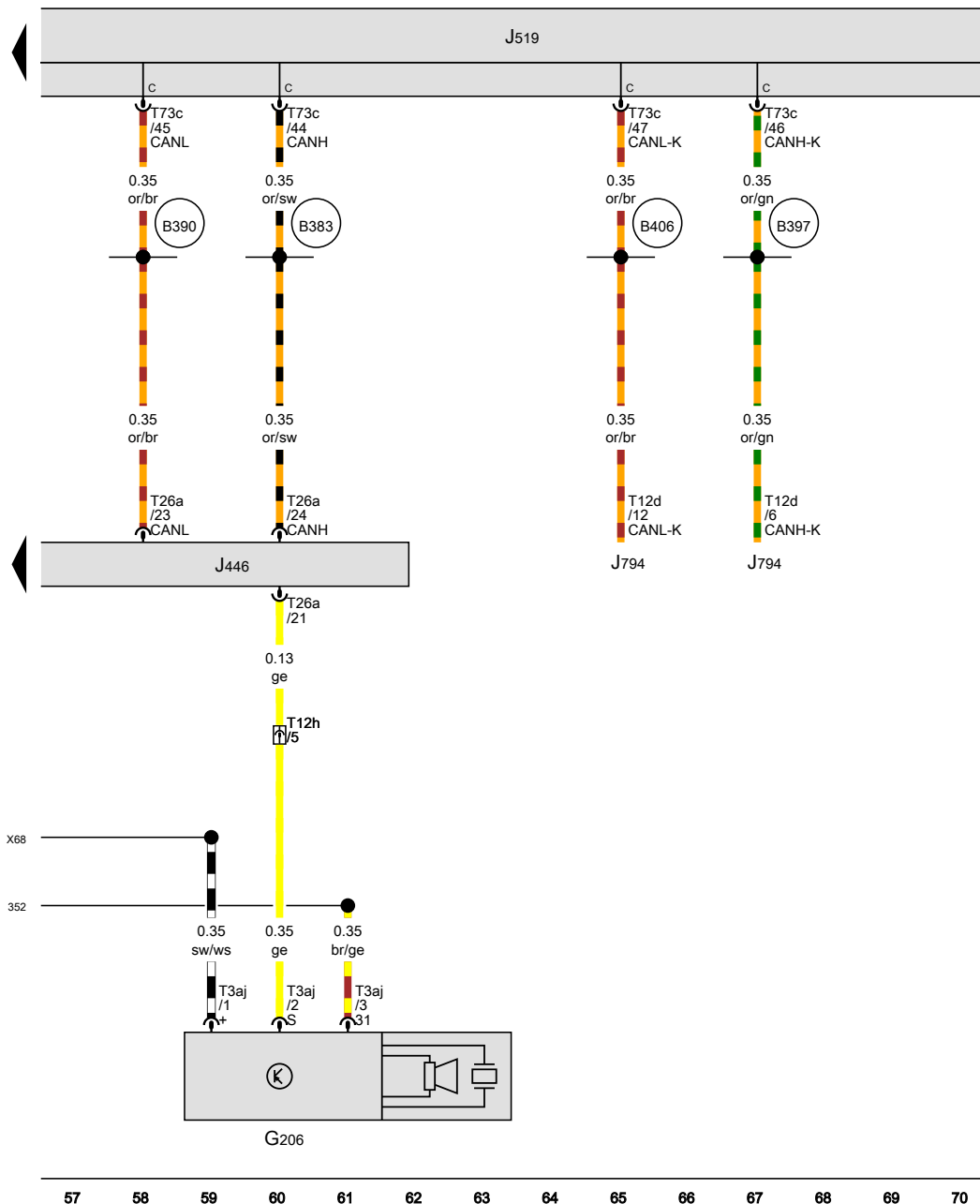
352 Earth connection (parking aid), in rear bumper wiring harness

X68 Positive connection (parking aid), in rear bumper wiring harness



- ws = white
- sw = black
- ro = red
- rt = red
- br = brown
- gn = green
- bl = blue
- gr = grey
- li = purple
- vi = purple
- ge = yellow
- or = orange
- rs = pink

[NH0-049050515]



Rear right parking aid sender, Parking aid control unit

- G206 Rear right parking aid sender
- J446 Parking aid control unit
- J519 Onboard supply control unit
- J794 Control unit 1 for information electronics
- T3aj 3-pin connector
- T12d 12-pin connector, grey
- T12h 12-pin connector, in luggage compartment, rear left
- T26a 26-pin connector
- T73c 73-pin connector, black

- (352) Earth connection (parking aid), in rear bumper wiring harness
- (B383) Connection 1 (powertrain CAN bus, high), in main wiring harness
- (B390) Connection 1 (powertrain CAN bus, low), in main wiring harness
- (B397) Connection 1 (convenience CAN bus, high), in main wiring harness
- (B406) Connection 1 (convenience CAN bus, low), in main wiring harness
- (X68) Positive connection (parking aid), in rear bumper wiring harness

- ws = white
- sw = black
- ro = red
- rt = red
- br = brown
- gn = green
- bl = blue
- gr = grey
- li = purple
- vi = purple
- ge = yellow
- or = orange
- rs = pink

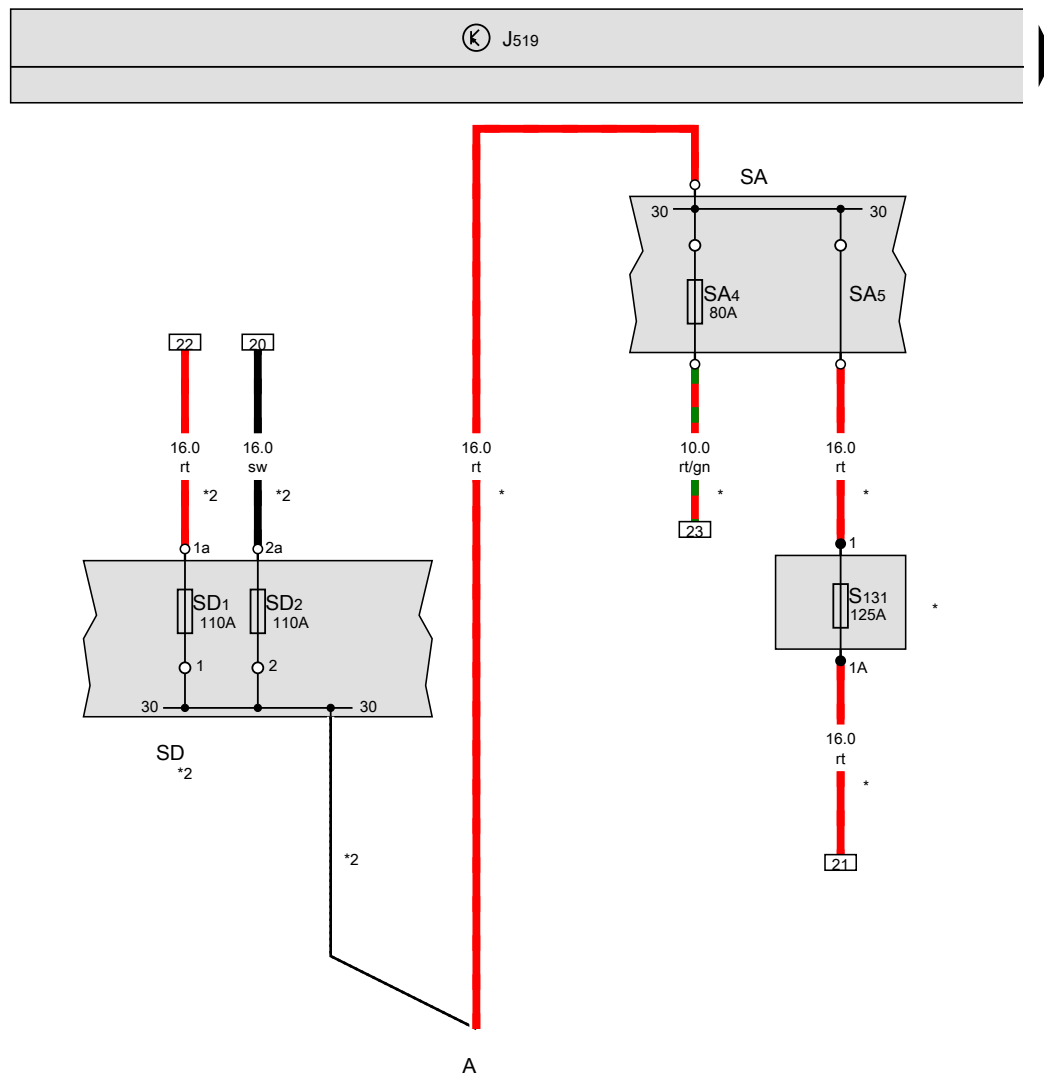
[NH0-049060515]

Trailer coupling

From May 2015

Battery, Fuse holder A, Fuse holder D

- A Battery
- J519 Onboard supply control unit
- SA Fuse holder A
- SD Fuse holder D
- SD1 Fuse 1 on fuse holder D
- SD2 Fuse 2 on fuse holder D
- SA4 Fuse 4 in fuse holder A
- SA5 Fuse 5 in fuse holder A
- S131 Fuse 1, in main wiring harness
- * Only models with battery in engine compartment
- *2 Only models with battery in luggage compartment



- ws = white
- sw = black
- ro = red
- rt = red
- br = brown
- gn = green
- bl = blue
- gr = grey
- li = purple
- vi = purple
- ge = yellow
- or = orange
- rs = pink

1 2 3 4 5 6 7 8 9 10 11 12 13 14

[NH0-050020515]

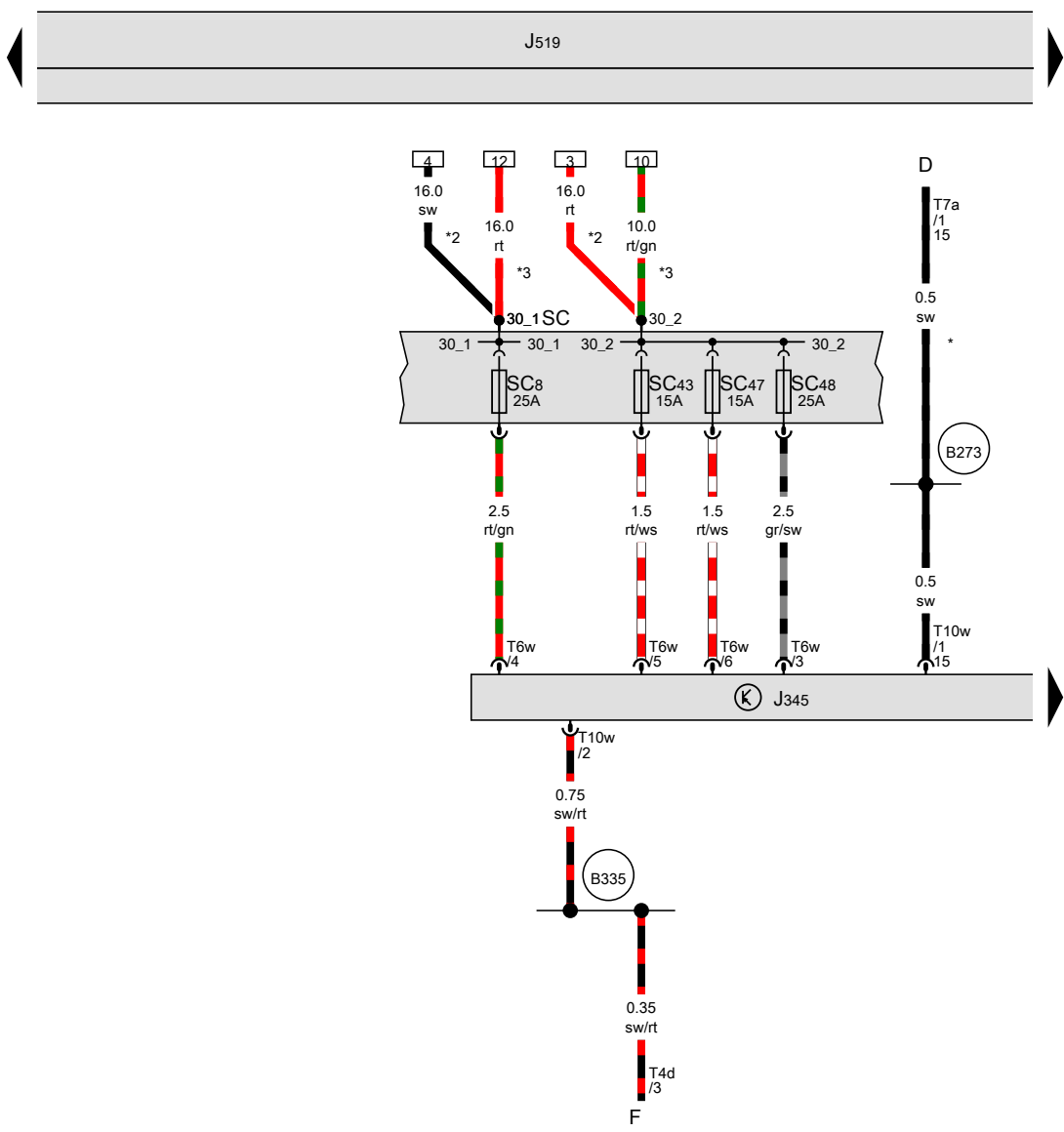
Trailer detector control unit, Fuse holder C

- D Ignition/starter switch
- F Brake light switch
- J345 Trailer detector control unit, on right in luggage compartment
- J519 Onboard supply control unit
- SC Fuse holder C
- SC8 Fuse 8 on fuse holder C
- SC43 Fuse 43 on fuse holder C
- SC47 Fuse 47 on fuse holder C
- SC48 Fuse 48 on fuse holder C
- T4d 4-pin connector
- T6w 6-pin connector
- T7a 7-pin connector
- T10w 10-pin connector

B273 Positive connection (15), in main wiring harness

B335 Connection 1 (54), in main wiring harness

- * Only models with no entry and start authorisation
- *2 Only models with battery in luggage compartment
- *3 Only models with battery in engine compartment

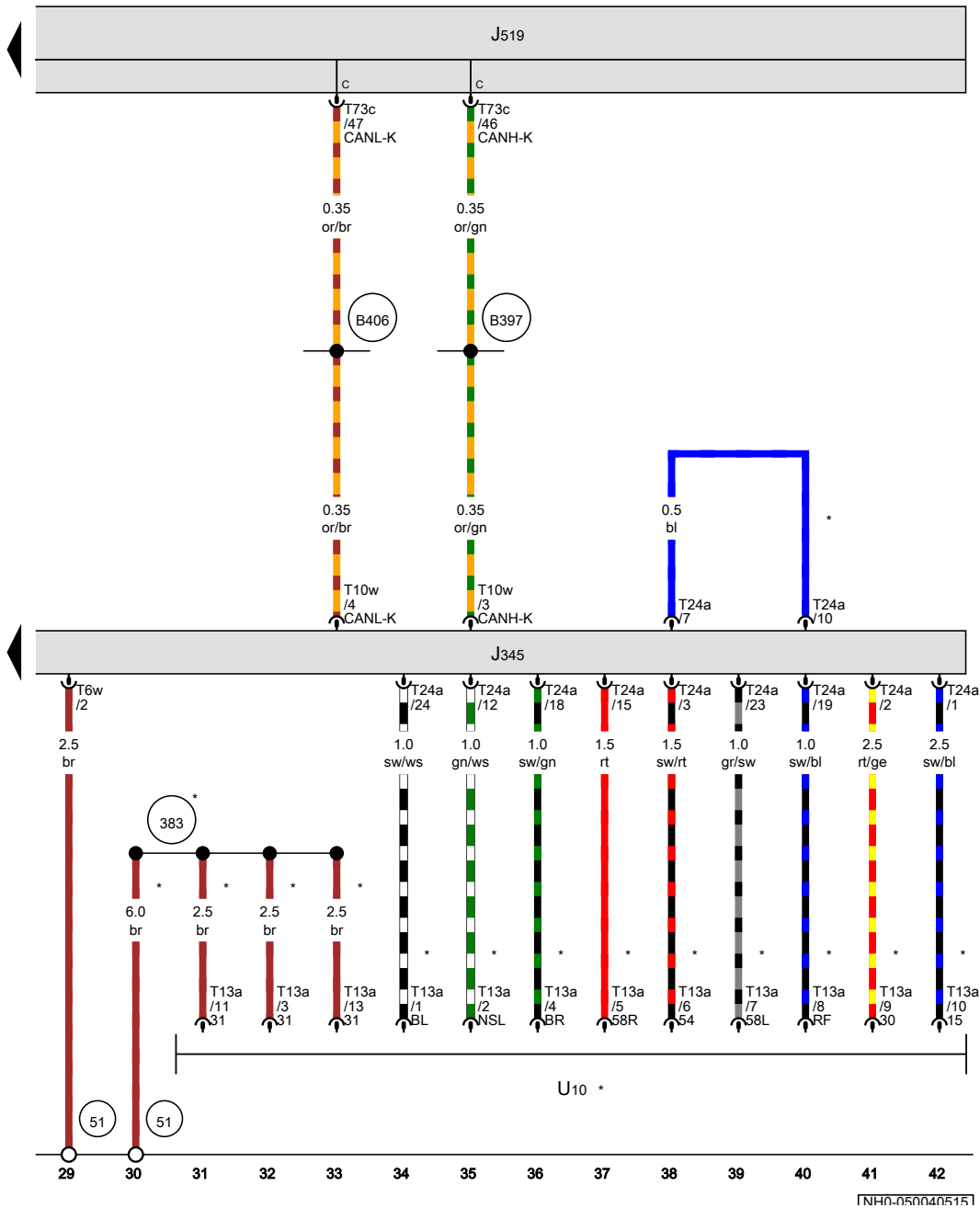


- ws = white
- sw = black
- ro = red
- rt = red
- br = brown
- gn = green
- bl = blue
- gr = grey
- li = purple
- vi = purple
- ge = yellow
- or = orange
- rs = pink

Trailer detector control unit, Trailer socket

- J345 Trailer detector control unit, on right in luggage compartment
- J519 Onboard supply control unit
- T6w 6-pin connector
- T10w 10-pin connector
- T13a 13-pin connector
- T24a 24-pin connector
- T73c 73-pin connector, black
- U10 Trailer socket

- 51 Earth point, on right in luggage compartment
- 383 Earth connection 18, in main wiring harness
- B397 Connection 1 (convenience CAN bus, high), in main wiring harness
- B406 Connection 1 (convenience CAN bus, low), in main wiring harness
- * Only models with trailer socket



- ws = white
- sw = black
- ro = red
- rt = red
- br = brown
- gn = green
- bl = blue
- gr = grey
- li = purple
- vi = purple
- ge = yellow
- or = orange
- rs = pink

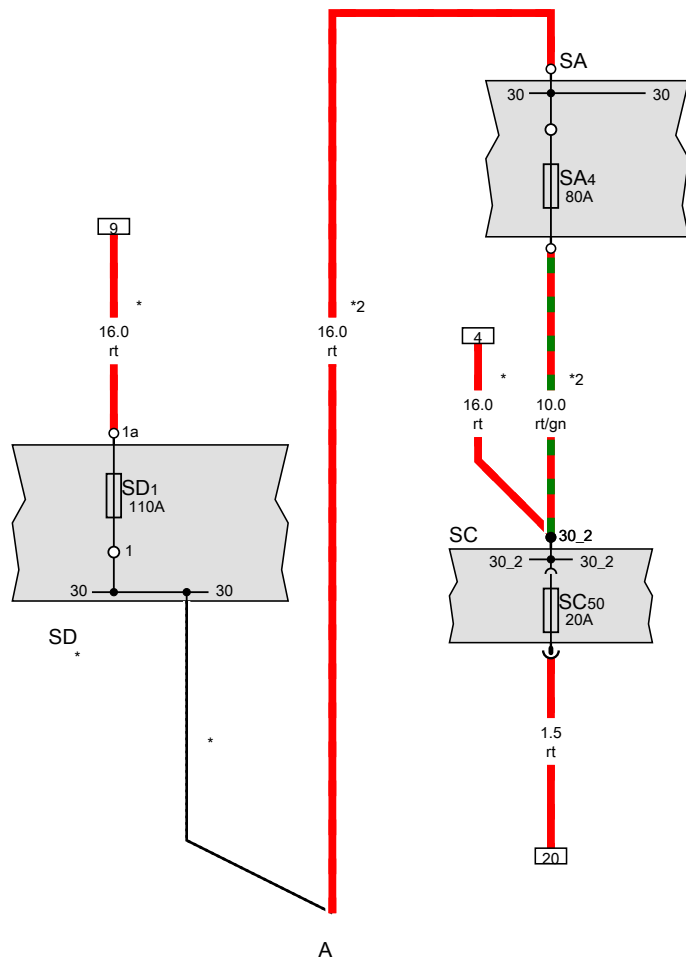
[NH0-050040515]

Preparation for radio , (L0L)

From May 2015

Battery, Fuse holder A, Fuse holder C, Fuse holder D

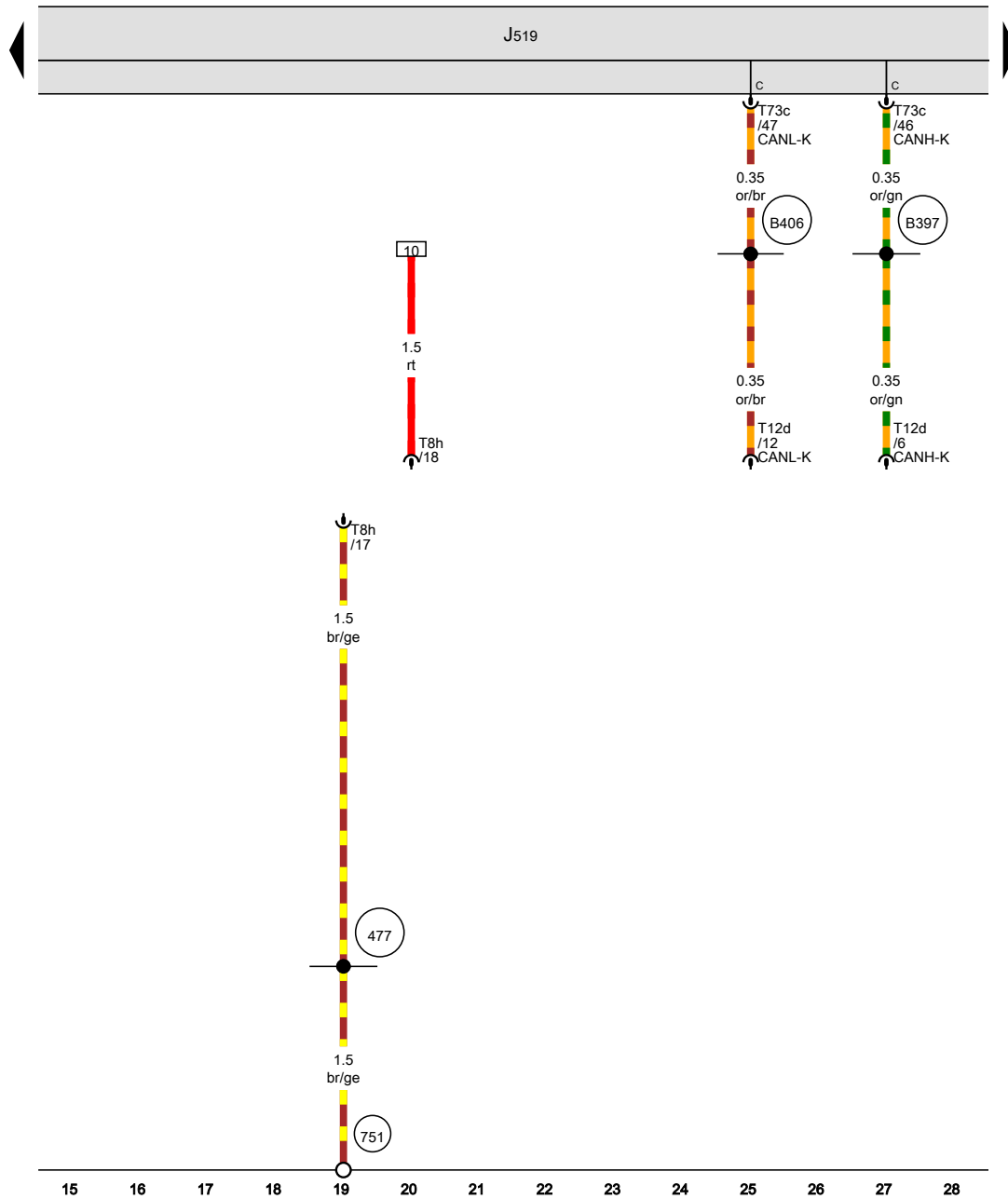
- A Battery
- J519 Onboard supply control unit
- SA Fuse holder A
- SD1 Fuse 1 on fuse holder D
- SA4 Fuse 4 in fuse holder A
- SC Fuse holder C
- SC50 Fuse 50 on fuse holder C
- SD Fuse holder D
- * Only models with battery in luggage compartment
- *2 Only models with battery in engine compartment



- ws = white
- sw = black
- ro = red
- rt = red
- br = brown
- gn = green
- bl = blue
- gr = grey
- li = purple
- vi = purple
- ge = yellow
- or = orange
- rs = pink

1 2 3 4 5 6 7 8 9 10 11 12 13 14

[NH0-051020216]



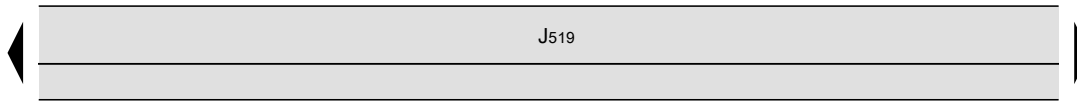
- J519 Onboard supply control unit
- T8h 8-pin connector, black
- T12d 12-pin connector, grey
- T73c 73-pin connector, black

- (477) Earth connection (audio), in main wiring harness
- (751) Earth point 2, on right A-pillar
- (B397) Connection 1 (convenience CAN bus, high), in main wiring harness
- (B406) Connection 1 (convenience CAN bus, low), in main wiring harness

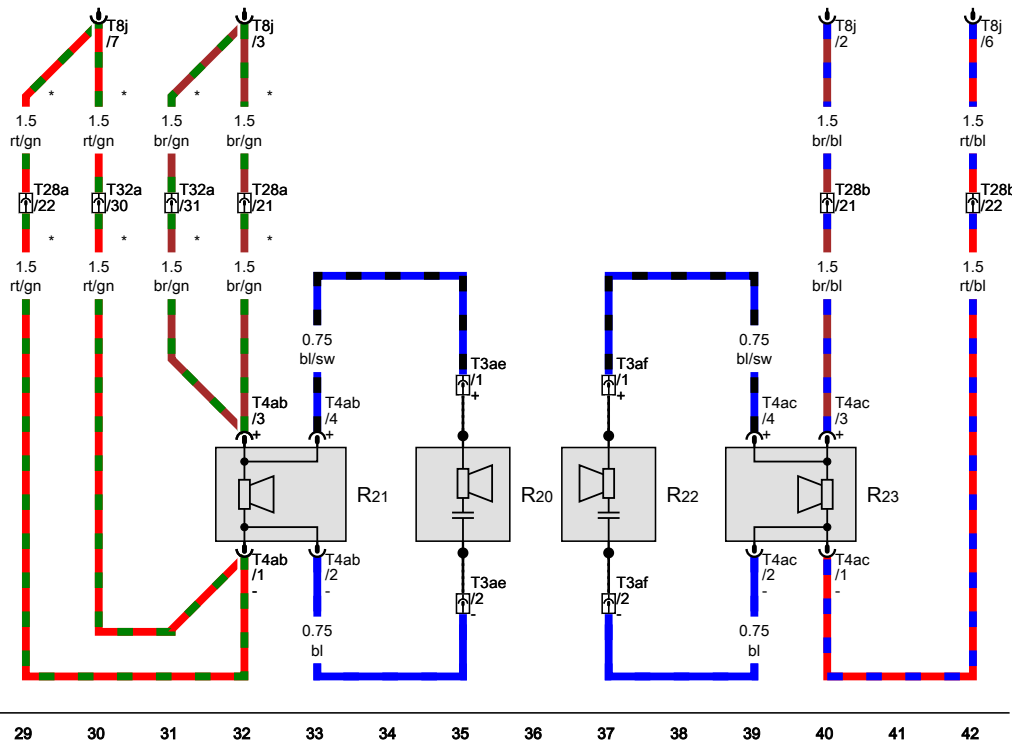
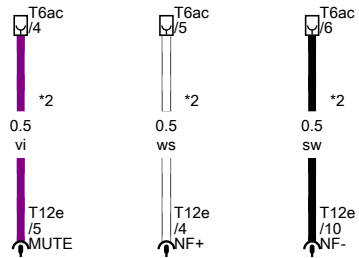
- ws = white
- sw = black
- ro = red
- rt = red
- br = brown
- gn = green
- bl = blue
- gr = grey
- li = purple
- vi = purple
- ge = yellow
- or = orange
- rs = pink

[NH0-051030216]

Front left treble loudspeaker, Front left bass loudspeaker,
Front right treble loudspeaker, Front right bass loudspeaker

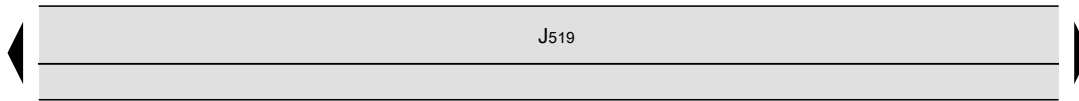


- J519 Onboard supply control unit
- R20 Front left treble loudspeaker
- R21 Front left bass loudspeaker
- R22 Front right treble loudspeaker
- R23 Front right bass loudspeaker
- T3ae 3-pin connector
- T3af 3-pin connector
- T4ab 4-pin connector
- T4ac 4-pin connector
- T6ac 6-pin connector, behind dash panel, centre
- T8j 8-pin connector, brown
- T12e 12-pin connector, blue
- T28a 28-pin connector, on left A-pillar
- T28b 28-pin connector, on right A-pillar
- T32a 32-pin connector, on left A-pillar
- * According to equipment
- *2 Only models with preparation for mobile telephone



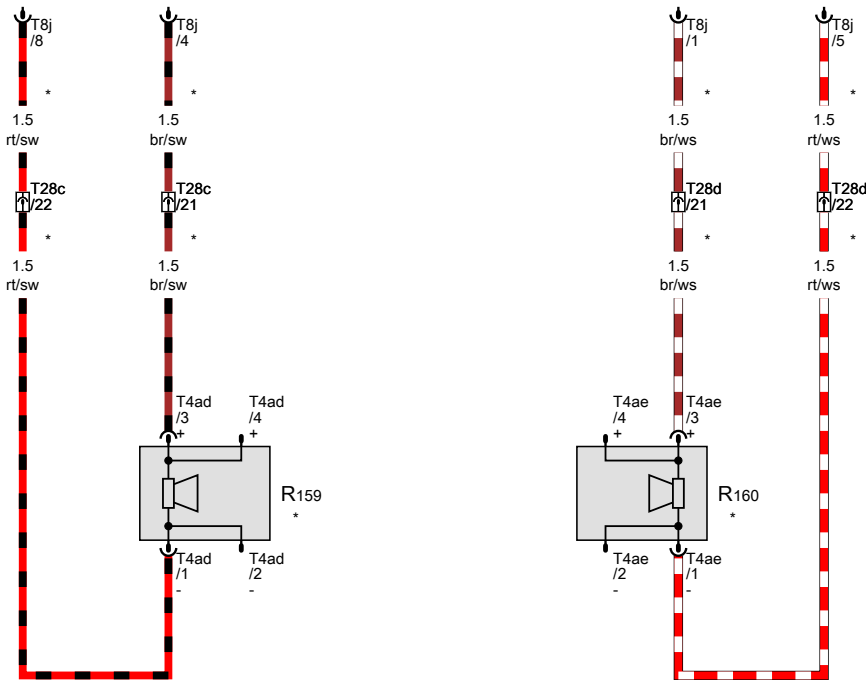
- ws = white
- sw = black
- ro = red
- rt = red
- br = brown
- gn = green
- bl = blue
- gr = grey
- li = purple
- vi = purple
- ge = yellow
- or = orange
- rs = pink

[NH0-051040216]



Rear left mid-range and bass loudspeaker, Rear right mid-range and bass loudspeaker

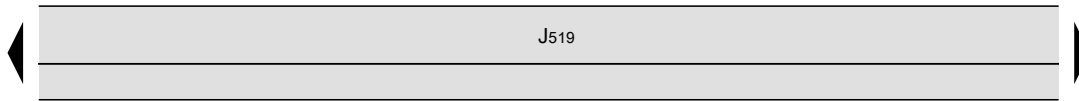
- J519 Onboard supply control unit
- R159 Rear left mid-range and bass loudspeaker
- R160 Rear right mid-range and bass loudspeaker
- T4ad 4-pin connector
- T4ae 4-pin connector
- T8j 8-pin connector, brown
- T28c 28-pin connector, on left B-pillar
- T28d 28-pin connector, on right B-pillar
- * Only models with rear loudspeaker



- ws = white
- sw = black
- ro = red
- rt = red
- br = brown
- gn = green
- bl = blue
- gr = grey
- li = purple
- vi = purple
- ge = yellow
- or = orange
- rs = pink

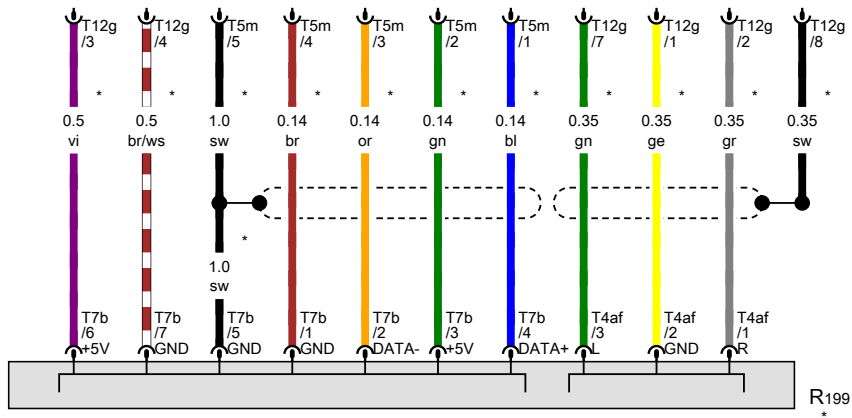
43 44 45 46 47 48 49 50 51 52 53 54 55 56

[NH0-051050216]



Connection for external audio sources

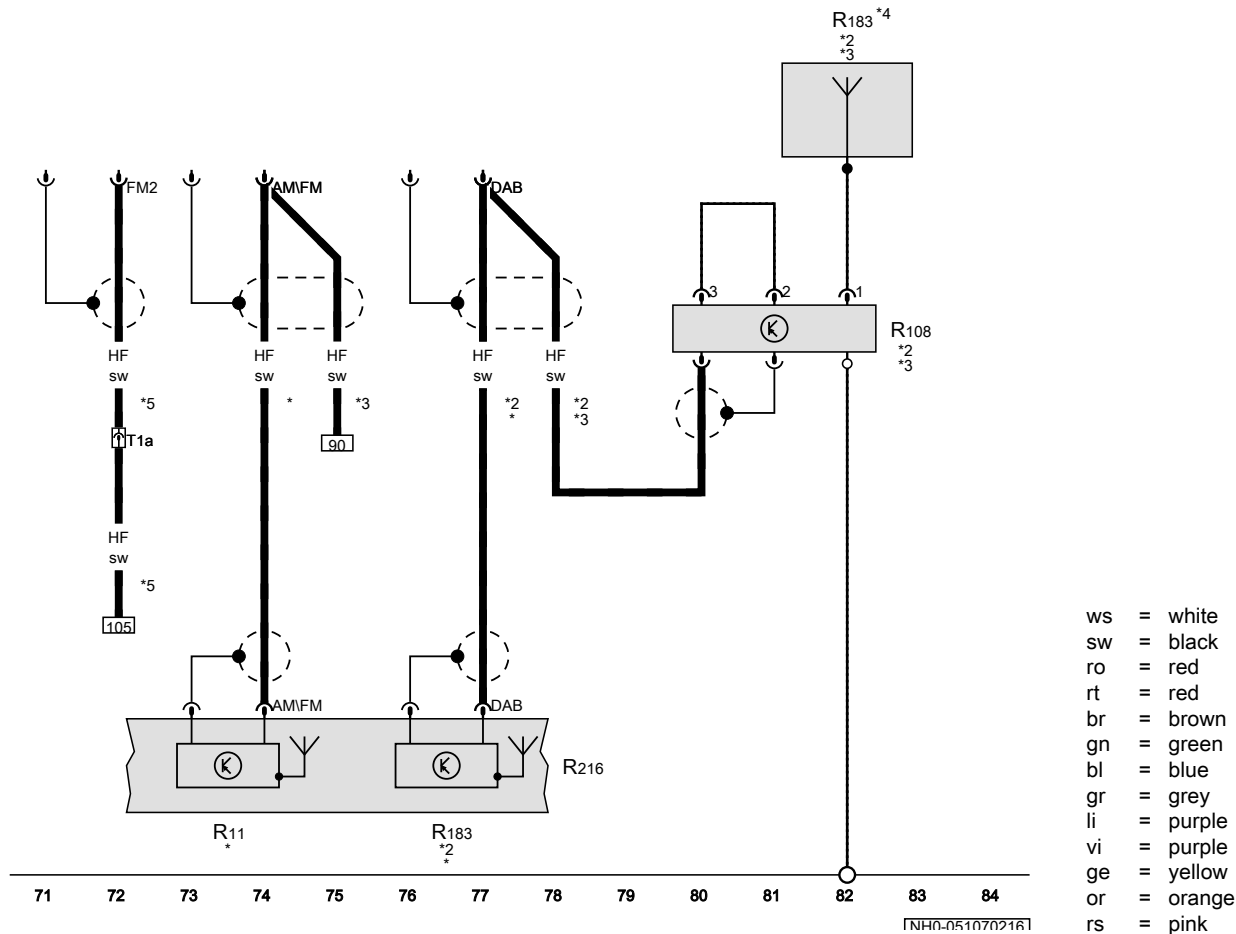
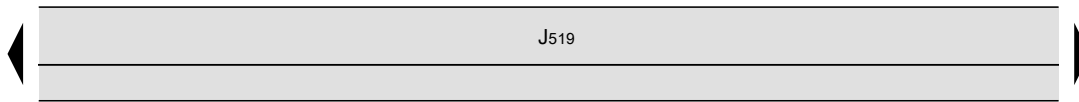
- J519 Onboard supply control unit
- R199 Connection for external audio sources
- T4af 4-pin connector
- T5m 5-pin connector, yellow
- T7b 7-pin connector
- T12g 12-pin connector, green
- * Special equipment



- ws = white
- sw = black
- ro = red
- rt = red
- br = brown
- gn = green
- bl = blue
- gr = grey
- li = purple
- vi = purple
- ge = yellow
- or = orange
- rs = pink

Left aerial module, Digital radio aerial, Roof aerial

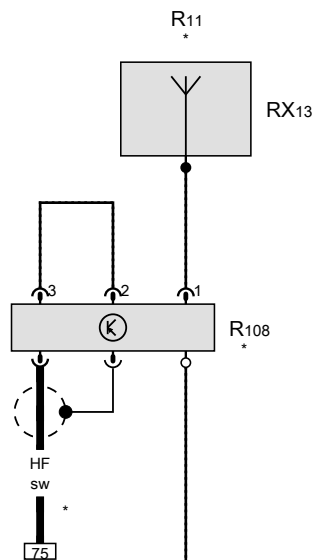
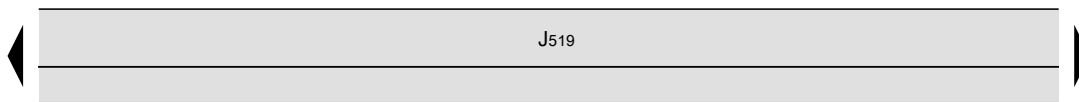
- J519 Onboard supply control unit
- R11 Aerial
- R108 Left aerial module
- R183 Digital radio aerial
- R216 Roof aerial
- T1a 1-pin connector, on right in luggage compartment
- * Only models with no glass roof
- *2 Special equipment
- *3 Only models with glass roof
- *4 Left side window aerial
- *5 Only models with rear window aerial



[NH0-051070216]

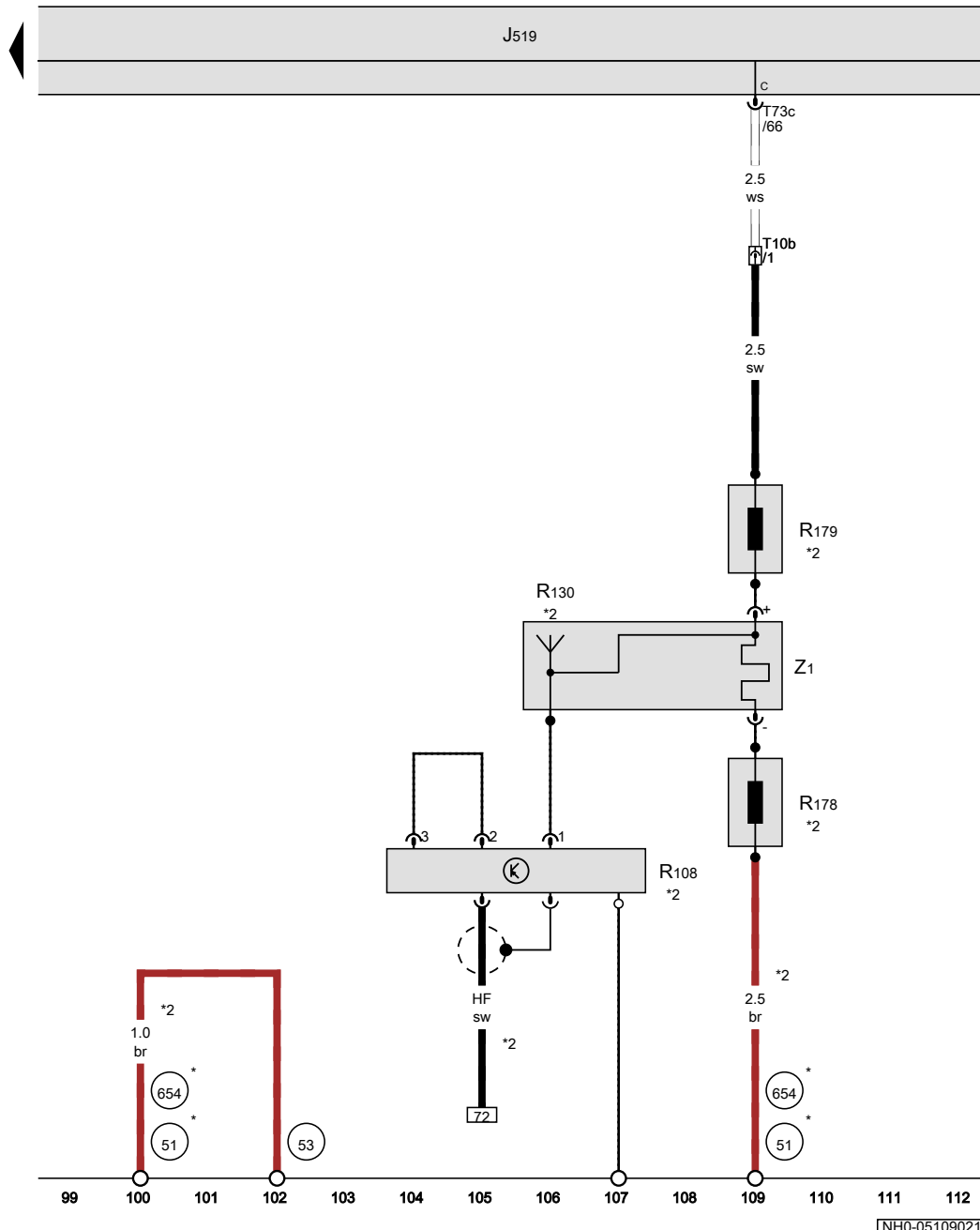
Aerial, Left aerial module

- J519 Onboard supply control unit
- R11 Aerial
- RX13 Glass roof
- R108 Left aerial module, under roof trim
- * Only models with glass roof



[NH0-051080216]

- ws = white
- sw = black
- ro = red
- rt = red
- br = brown
- gn = green
- bl = blue
- gr = grey
- li = purple
- vi = purple
- ge = yellow
- or = orange
- rs = pink



Left aerial module, Rear window aerial 1, Frequency modulation (FM) frequency filter in negative wire, Frequency modulation (FM) frequency filter in positive wire, Heated rear window

- J519 Onboard supply control unit
- R108 Left aerial module
- R130 Rear window aerial 1
- R178 Frequency modulation (FM) frequency filter in negative wire
- R179 Frequency modulation (FM) frequency filter in positive wire
- T10b 10-pin connector
- T73c 73-pin connector, black
- Z1 Heated rear window

- 51 Earth point, on right in luggage compartment
- 53 Earth point, on right in rear lid
- 654 Earth point, on right D-pillar

* see fitting locations
 *2 Only models with rear window aerial

- ws = white
- sw = black
- ro = red
- rt = red
- br = brown
- gn = green
- bl = blue
- gr = grey
- li = purple
- vi = purple
- ge = yellow
- or = orange
- rs = pink

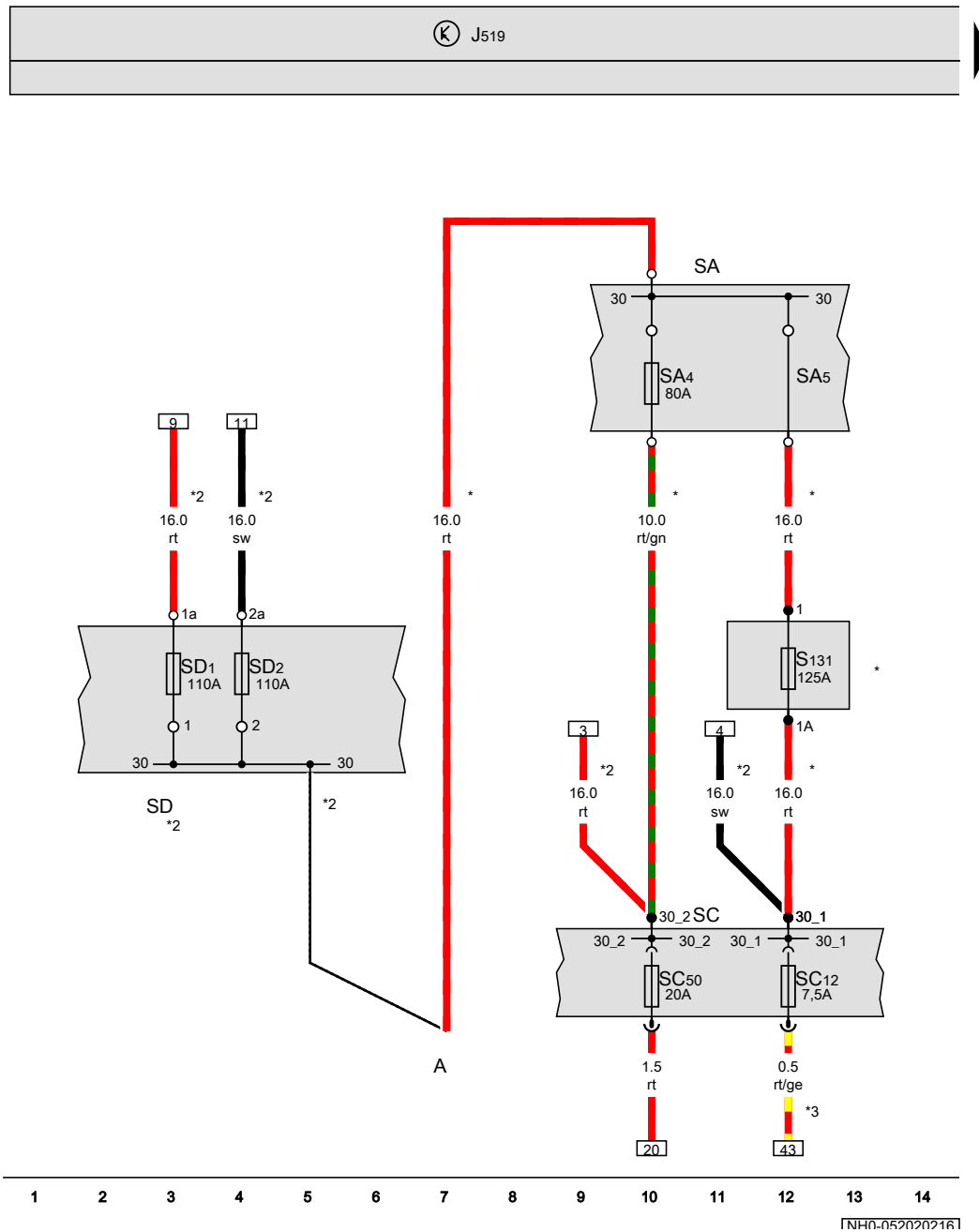
1NH0-0510902161

Radio system , (L0L)

From May 2015

Battery, Fuse holder A, Fuse holder C, Fuse holder D

- A Battery
- J519 Onboard supply control unit
- SA Fuse holder A
- SC Fuse holder C
- SD1 Fuse 1 on fuse holder D
- SD2 Fuse 2 on fuse holder D
- SA4 Fuse 4 in fuse holder A
- SA5 Fuse 5 in fuse holder A
- SC12 Fuse 12 on fuse holder C
- SC50 Fuse 50 on fuse holder C
- S131 Fuse 1, in main wiring harness
- SD Fuse holder D
- * Only models with battery in engine compartment
- *2 Only models with battery in luggage compartment
- *3 According to equipment



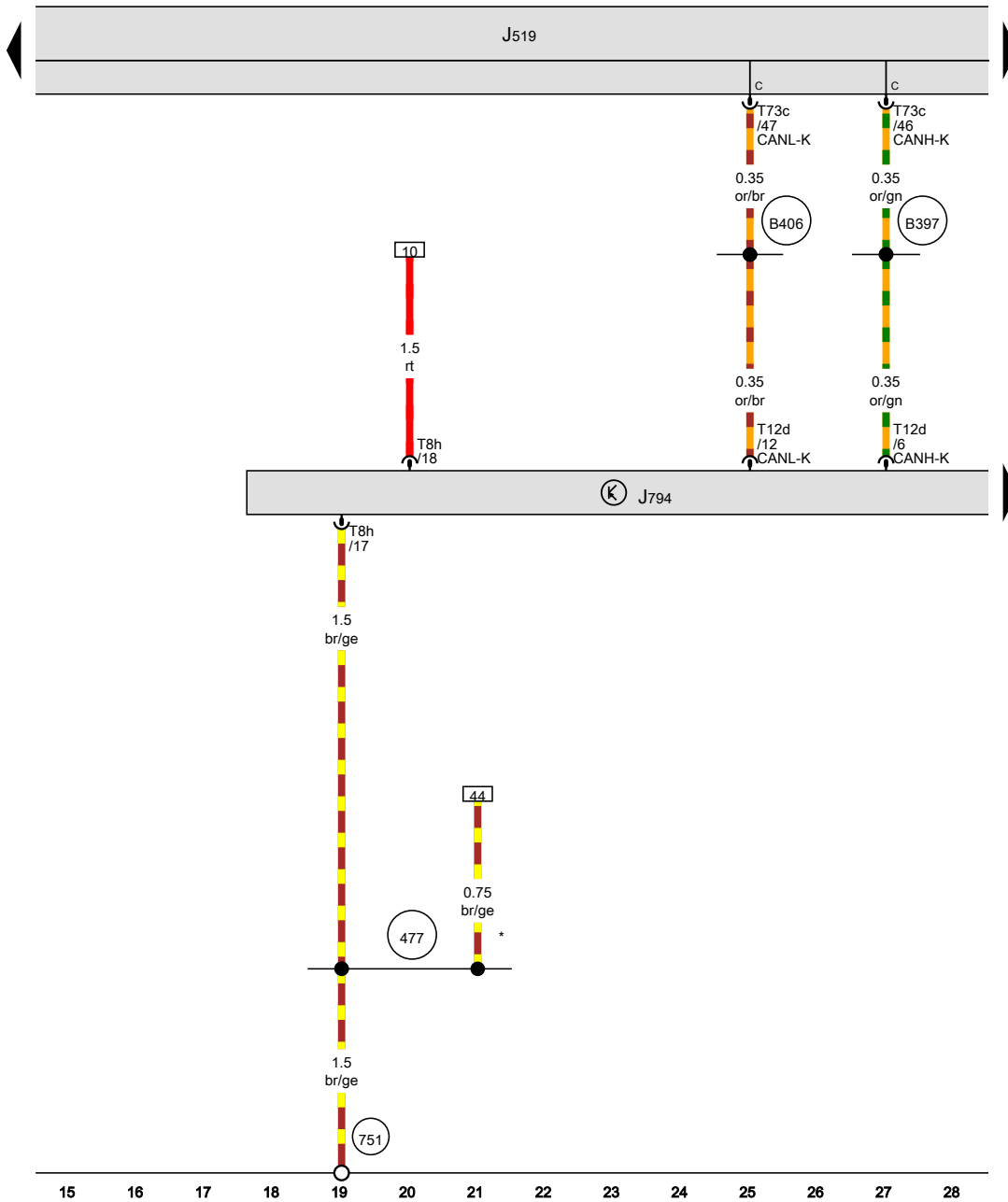
- ws = white
- sw = black
- ro = red
- rt = red
- br = brown
- gn = green
- bl = blue
- gr = grey
- li = purple
- vi = purple
- ge = yellow
- or = orange
- rs = pink

[NH0-052020216]

Control unit 1 for information electronics

- J519 Onboard supply control unit
- J794 Control unit 1 for information electronics
- T8h 8-pin connector, black
- T12d 12-pin connector, grey
- T73c 73-pin connector, black

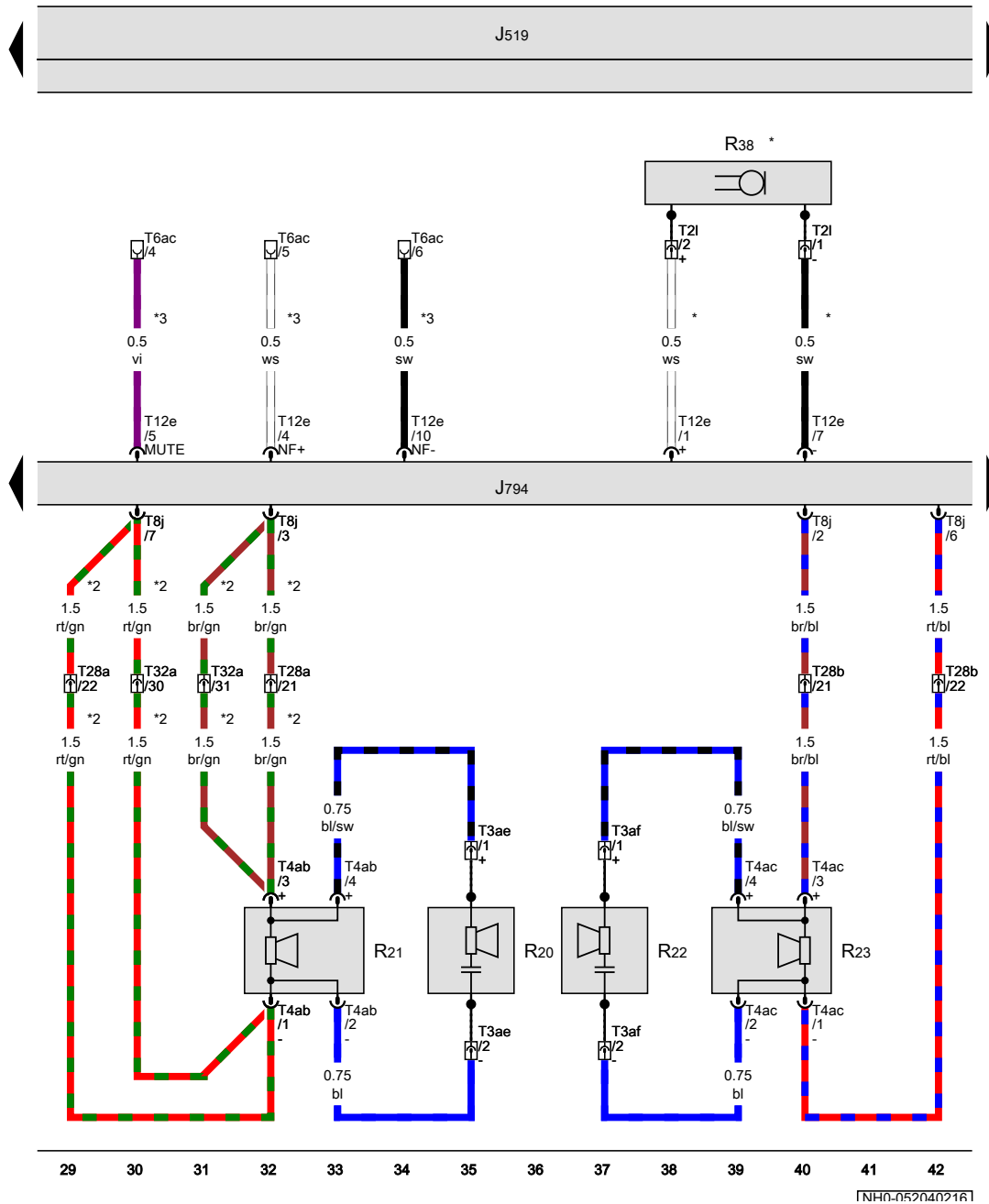
- 477 Earth connection (audio), in main wiring harness
- 751 Earth point 2, on right A-pillar
- B397 Connection 1 (convenience CAN bus, high), in main wiring harness
- B406 Connection 1 (convenience CAN bus, low), in main wiring harness
- * According to equipment



[NH0-052030216]

- ws = white
- sw = black
- ro = red
- rt = red
- br = brown
- gn = green
- bl = blue
- gr = grey
- li = purple
- vi = purple
- ge = yellow
- or = orange
- rs = pink

Control unit 1 for information electronics, Front left treble loudspeaker, Front left bass loudspeaker, Front right treble loudspeaker, Front right bass loudspeaker, Telephone microphone



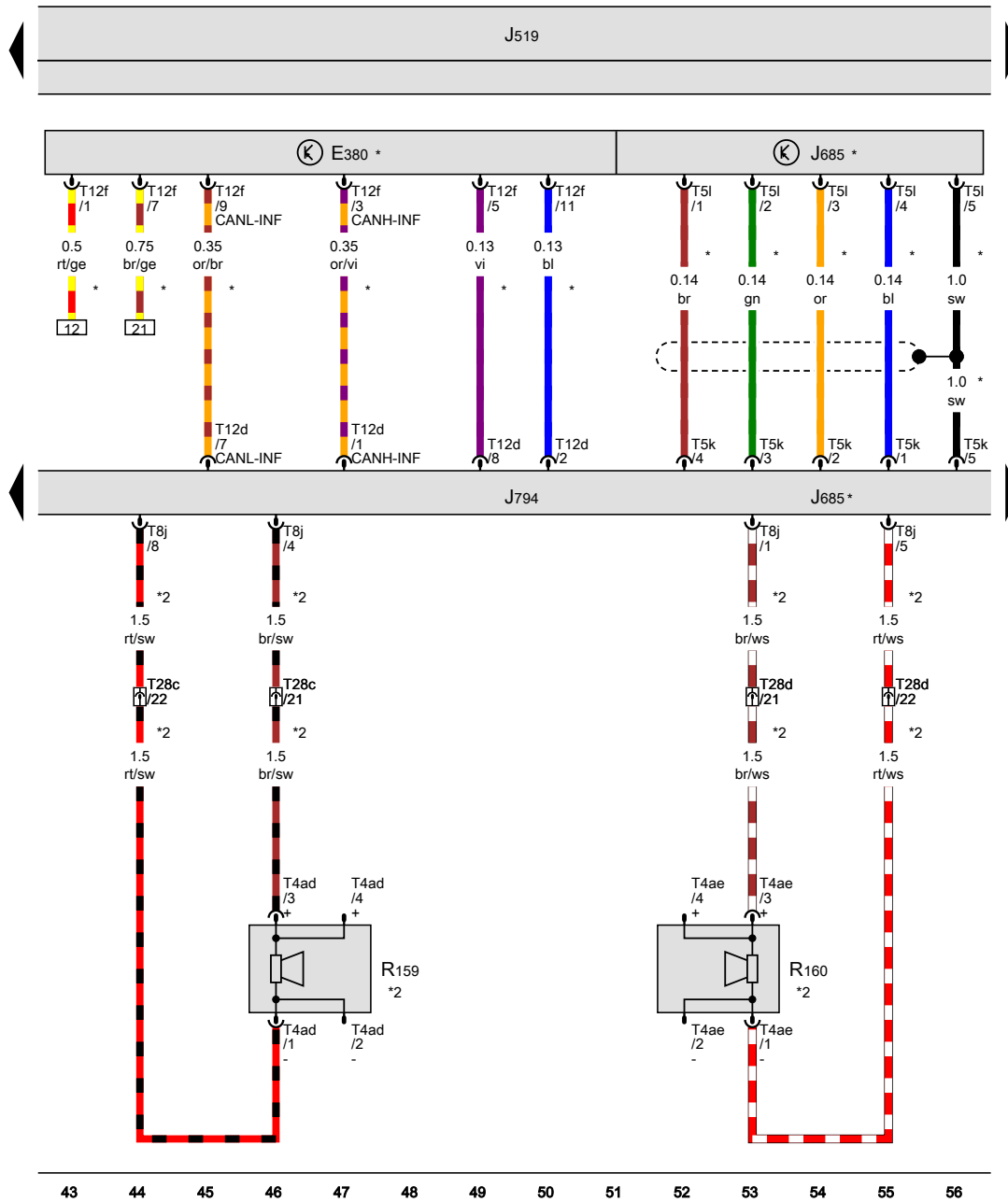
- J519 Onboard supply control unit
- J794 Control unit 1 for information electronics
- R20 Front left treble loudspeaker
- R21 Front left bass loudspeaker
- R22 Front right treble loudspeaker
- R23 Front right bass loudspeaker
- R38 Telephone microphone
- T21 2-pin connector
- T3ae 3-pin connector
- T3af 3-pin connector
- T4ab 4-pin connector
- T4ac 4-pin connector
- T6ac 6-pin connector, behind dash panel, centre
- T8j 8-pin connector, brown
- T12e 12-pin connector, blue
- T28a 28-pin connector, on left A-pillar
- T28b 28-pin connector, on right A-pillar
- T32a 32-pin connector, on left A-pillar
- * Special equipment
- *2 According to equipment
- *3 Only models with preparation for mobile telephone

- ws = white
- sw = black
- ro = red
- rt = red
- br = brown
- gn = green
- bl = blue
- gr = grey
- li = purple
- vi = purple
- ge = yellow
- or = orange
- rs = pink

1NH0-0520402161

Multimedia system operating unit, Display unit for front information display and operating unit control unit, Control unit 1 for information electronics, Rear left mid-range and bass loudspeaker, Rear right mid-range and bass loudspeaker

- E380 Multimedia system operating unit
- J519 Onboard supply control unit
- J685 Display unit for front information display and operating unit control unit
- J794 Control unit 1 for information electronics
- R159 Rear left mid-range and bass loudspeaker
- R160 Rear right mid-range and bass loudspeaker
- T4ad 4-pin connector
- T4ae 4-pin connector
- T5k 5-pin connector, pink
- T5l 5-pin connector, blue
- T8j 8-pin connector, brown
- T12d 12-pin connector, grey
- T12f 12-pin connector, black
- T28c 28-pin connector, on left B-pillar
- T28d 28-pin connector, on right B-pillar
- * According to equipment
- *2 Only models with rear loudspeaker

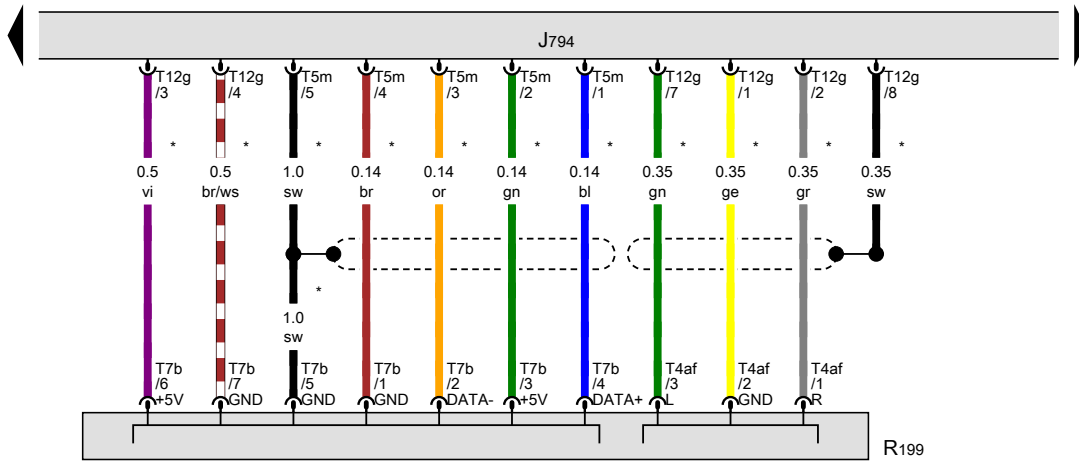
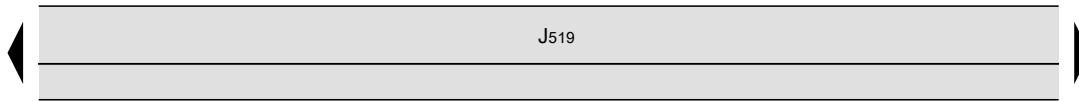


- ws = white
- sw = black
- ro = red
- rt = red
- br = brown
- gn = green
- bl = blue
- gr = grey
- li = purple
- vi = purple
- ge = yellow
- or = orange
- rs = pink

[NH0-052050216]

Control unit 1 for information electronics, Connection for external audio sources

- J519 Onboard supply control unit
- J794 Control unit 1 for information electronics
- R199 Connection for external audio sources
- T4af 4-pin connector
- T5m 5-pin connector, yellow
- T7b 7-pin connector
- T12g 12-pin connector, green
- * Special equipment



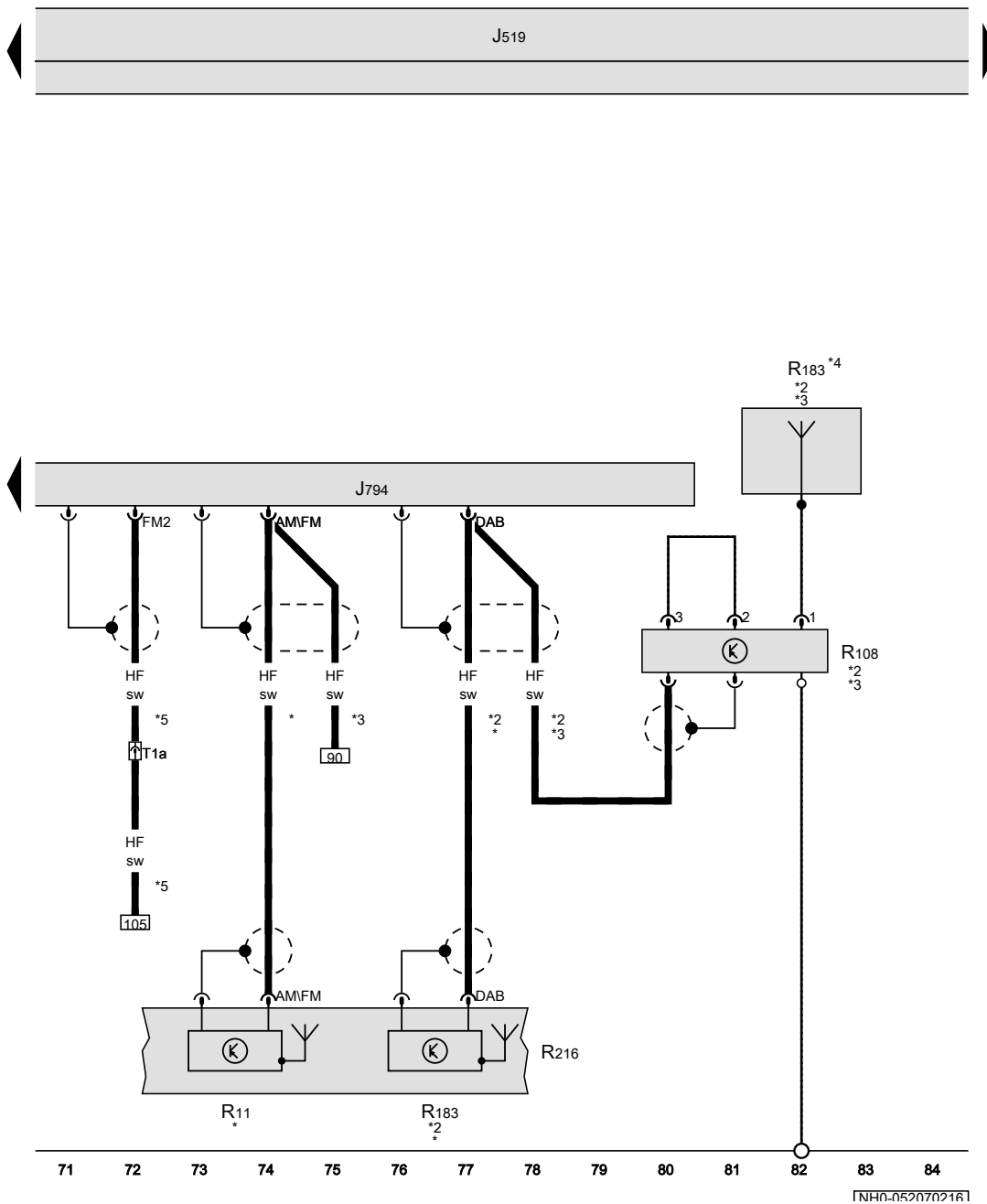
- ws = white
- sw = black
- ro = red
- rt = red
- br = brown
- gn = green
- bl = blue
- gr = grey
- li = purple
- vi = purple
- ge = yellow
- or = orange
- rs = pink

57 58 59 60 61 62 63 64 65 66 67 68 69 70

[NH0-052060216]

Control unit 1 for information electronics, Left aerial module, Digital radio aerial, Roof aerial

- J519 Onboard supply control unit
- J794 Control unit 1 for information electronics
- R11 Aerial
- R108 Left aerial module
- R183 Digital radio aerial
- R216 Roof aerial
- T1a 1-pin connector, on right in luggage compartment
- * Only models with no glass roof
- *2 Special equipment
- *3 Only models with glass roof
- *4 Left side window aerial
- *5 Only models with rear window aerial

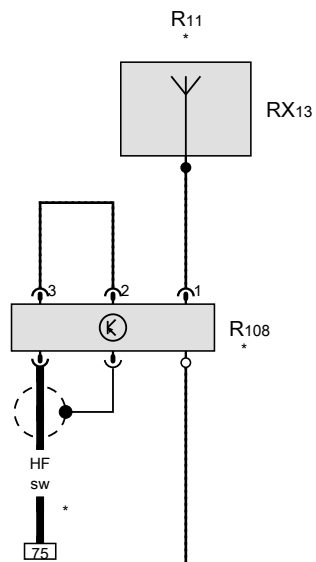
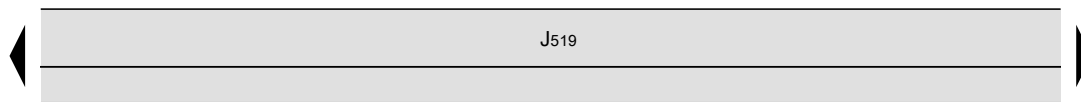


- ws = white
- sw = black
- ro = red
- rt = red
- br = brown
- gn = green
- bl = blue
- gr = grey
- li = purple
- vi = purple
- ge = yellow
- or = orange
- rs = pink

[NH0-052070216]

Aerial, Left aerial module

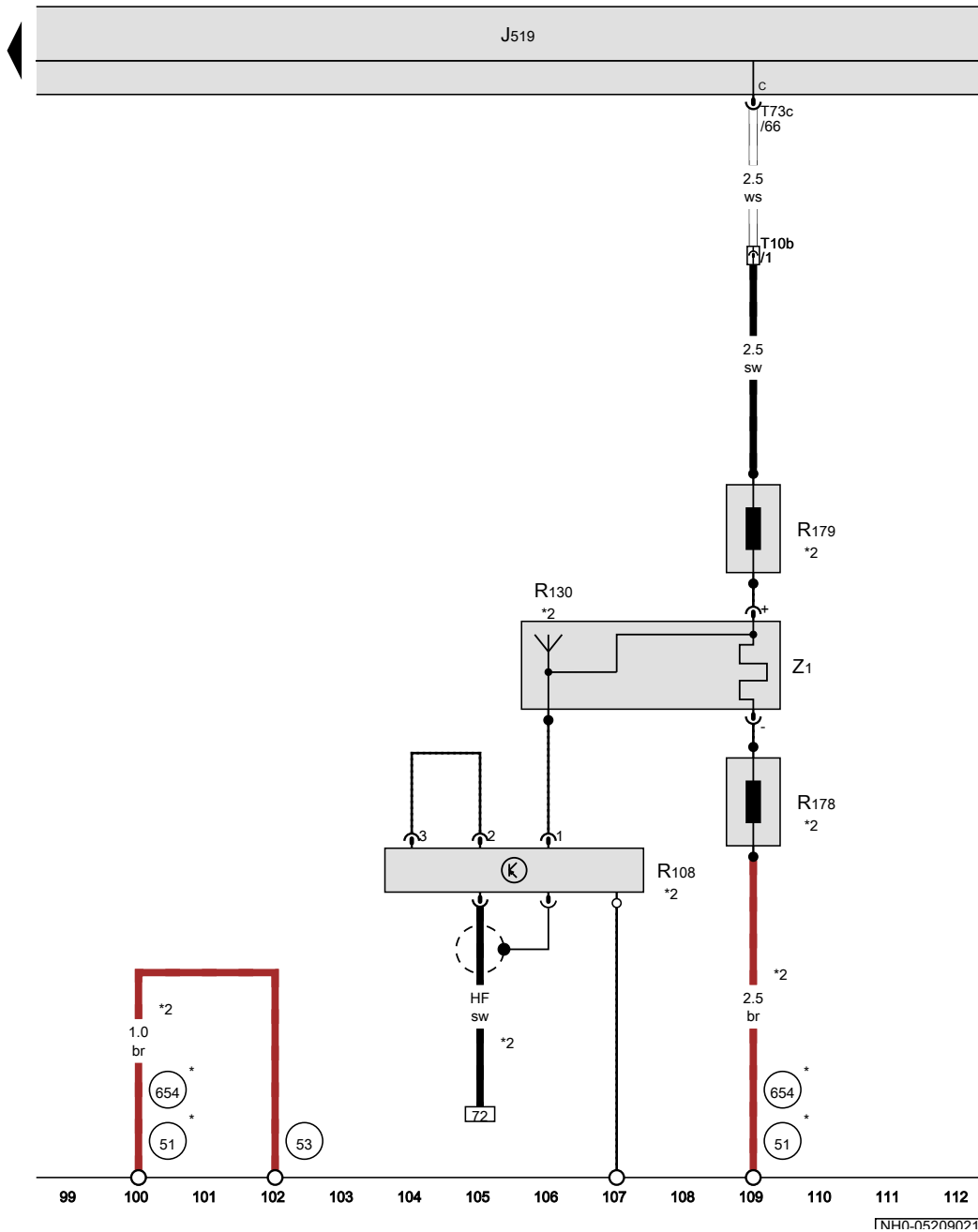
- J519 Onboard supply control unit
- R11 Aerial
- RX13 Glass roof
- R108 Left aerial module, under roof trim
- * Only models with glass roof



85 86 87 88 89 90 91 92 93 94 95 96 97 98

[NH0-052080216]

- ws = white
- sw = black
- ro = red
- rt = red
- br = brown
- gn = green
- bl = blue
- gr = grey
- li = purple
- vi = purple
- ge = yellow
- or = orange
- rs = pink



Left aerial module, Rear window aerial 1, Frequency modulation (FM) frequency filter in negative wire, Frequency modulation (FM) frequency filter in positive wire, Heated rear window

- J519 Onboard supply control unit
- R108 Left aerial module
- R130 Rear window aerial 1
- R178 Frequency modulation (FM) frequency filter in negative wire
- R179 Frequency modulation (FM) frequency filter in positive wire
- T10b 10-pin connector
- T73c 73-pin connector, black
- Z1 Heated rear window

- 51 Earth point, on right in luggage compartment
- 53 Earth point, on right in rear lid
- 654 Earth point, on right D-pillar

* see fitting locations
 *2 Only models with rear window aerial

- ws = white
- sw = black
- ro = red
- rt = red
- br = brown
- gn = green
- bl = blue
- gr = grey
- li = purple
- vi = purple
- ge = yellow
- or = orange
- rs = pink

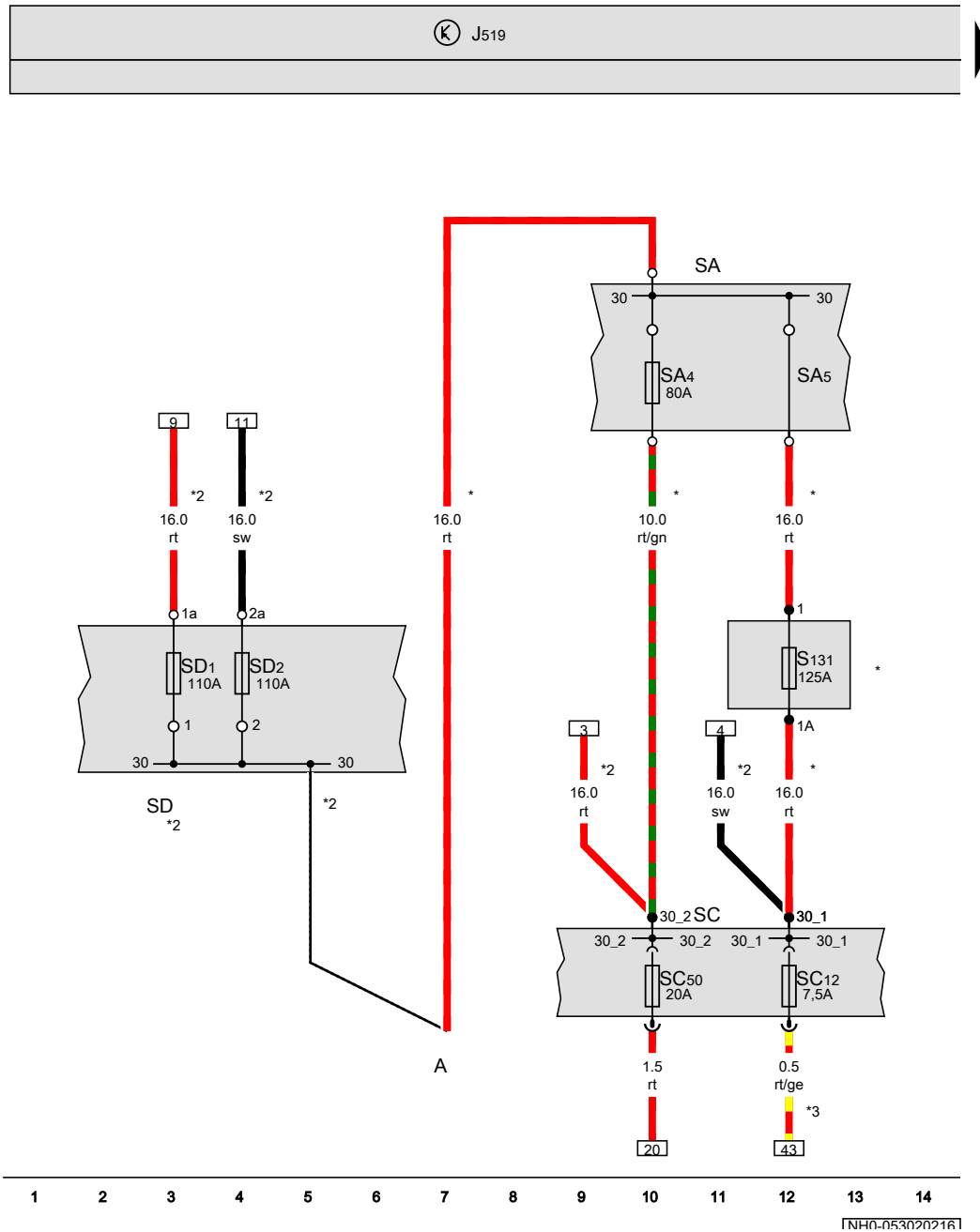
1NH0-0520902161

Radio navigation system , (L0L)

From May 2015

Battery, Fuse holder A, Fuse holder C, Fuse holder D

- A Battery
- J519 Onboard supply control unit
- SA Fuse holder A
- SC Fuse holder C
- SD1 Fuse 1 on fuse holder D
- SD2 Fuse 2 on fuse holder D
- SA4 Fuse 4 in fuse holder A
- SA5 Fuse 5 in fuse holder A
- SC12 Fuse 12 on fuse holder C
- SC50 Fuse 50 on fuse holder C
- S131 Fuse 1, in main wiring harness
- SD Fuse holder D
- * Only models with battery in engine compartment
- *2 Only models with battery in luggage compartment
- *3 According to equipment

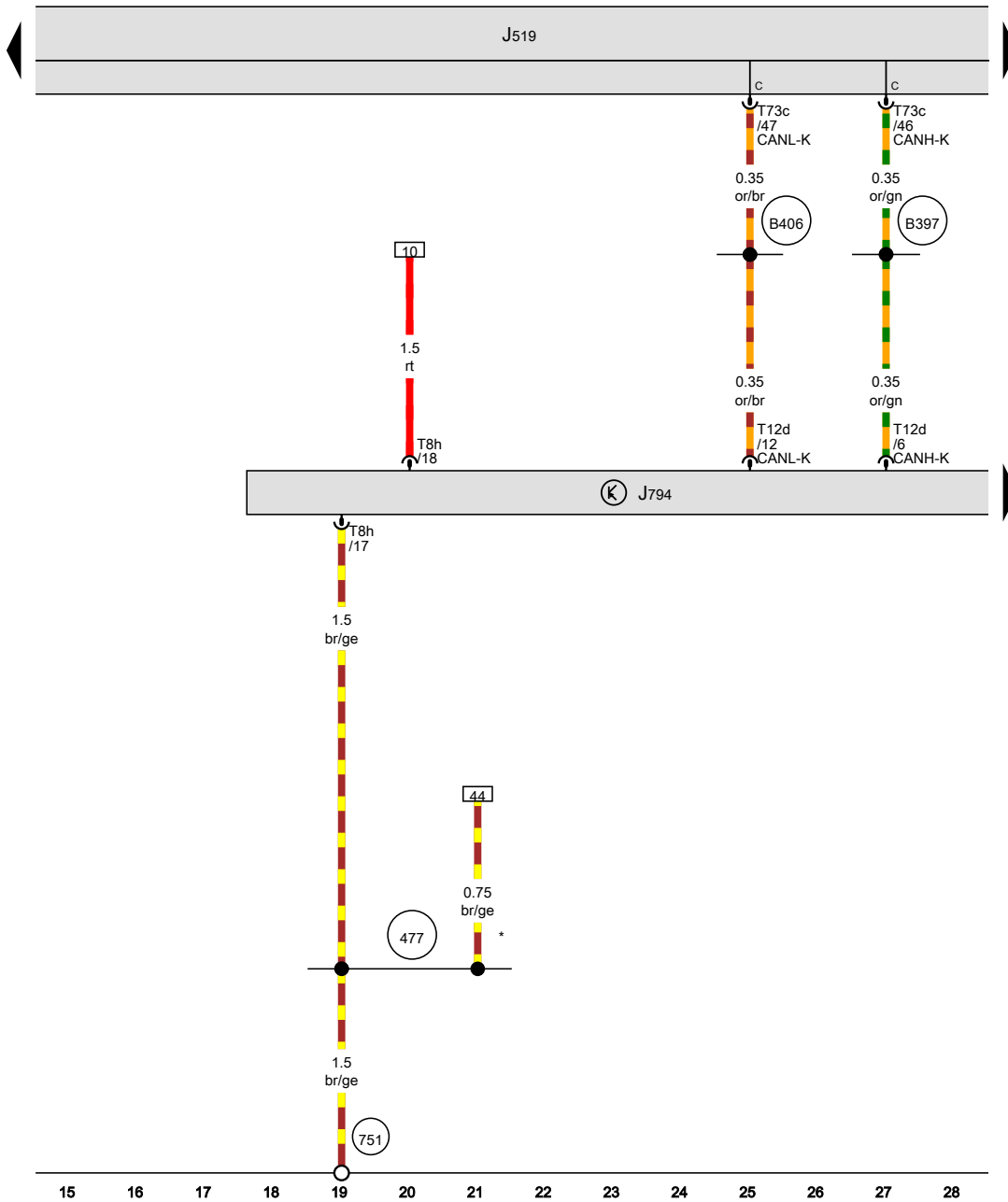


[NH0-053020216]

Control unit 1 for information electronics

- J519 Onboard supply control unit
- J794 Control unit 1 for information electronics
- T8h 8-pin connector, black
- T12d 12-pin connector, grey
- T73c 73-pin connector, black

- 477 Earth connection (audio), in main wiring harness
- 751 Earth point 2, on right A-pillar
- B397 Connection 1 (convenience CAN bus, high), in main wiring harness
- B406 Connection 1 (convenience CAN bus, low), in main wiring harness
- * According to equipment

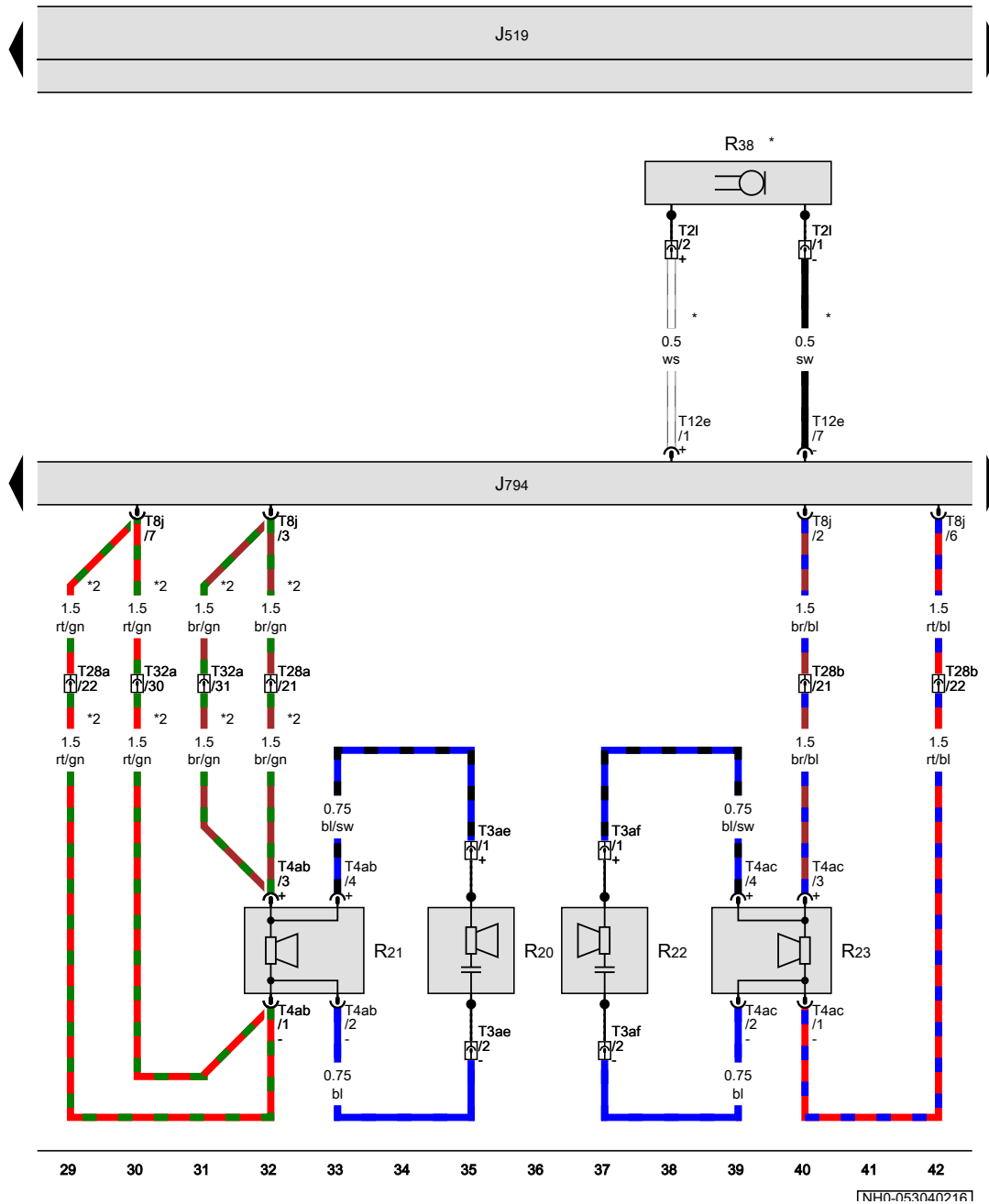


- ws = white
- sw = black
- ro = red
- rt = red
- br = brown
- gn = green
- bl = blue
- gr = grey
- li = purple
- vi = purple
- ge = yellow
- or = orange
- rs = pink

[NH0-053030216]

Control unit 1 for information electronics, Front left treble loudspeaker, Front left bass loudspeaker, Front right treble loudspeaker, Front right bass loudspeaker, Telephone microphone

- J519 Onboard supply control unit
- J794 Control unit 1 for information electronics
- R20 Front left treble loudspeaker
- R21 Front left bass loudspeaker
- R22 Front right treble loudspeaker
- R23 Front right bass loudspeaker
- R38 Telephone microphone
- T2l 2-pin connector
- T3ae 3-pin connector
- T3af 3-pin connector
- T4ab 4-pin connector
- T4ac 4-pin connector
- T8j 8-pin connector, brown
- T12e 12-pin connector, blue
- T28a 28-pin connector, on left A-pillar
- T28b 28-pin connector, on right A-pillar
- T32a 32-pin connector, on left A-pillar
- * Special equipment
- *2 According to equipment

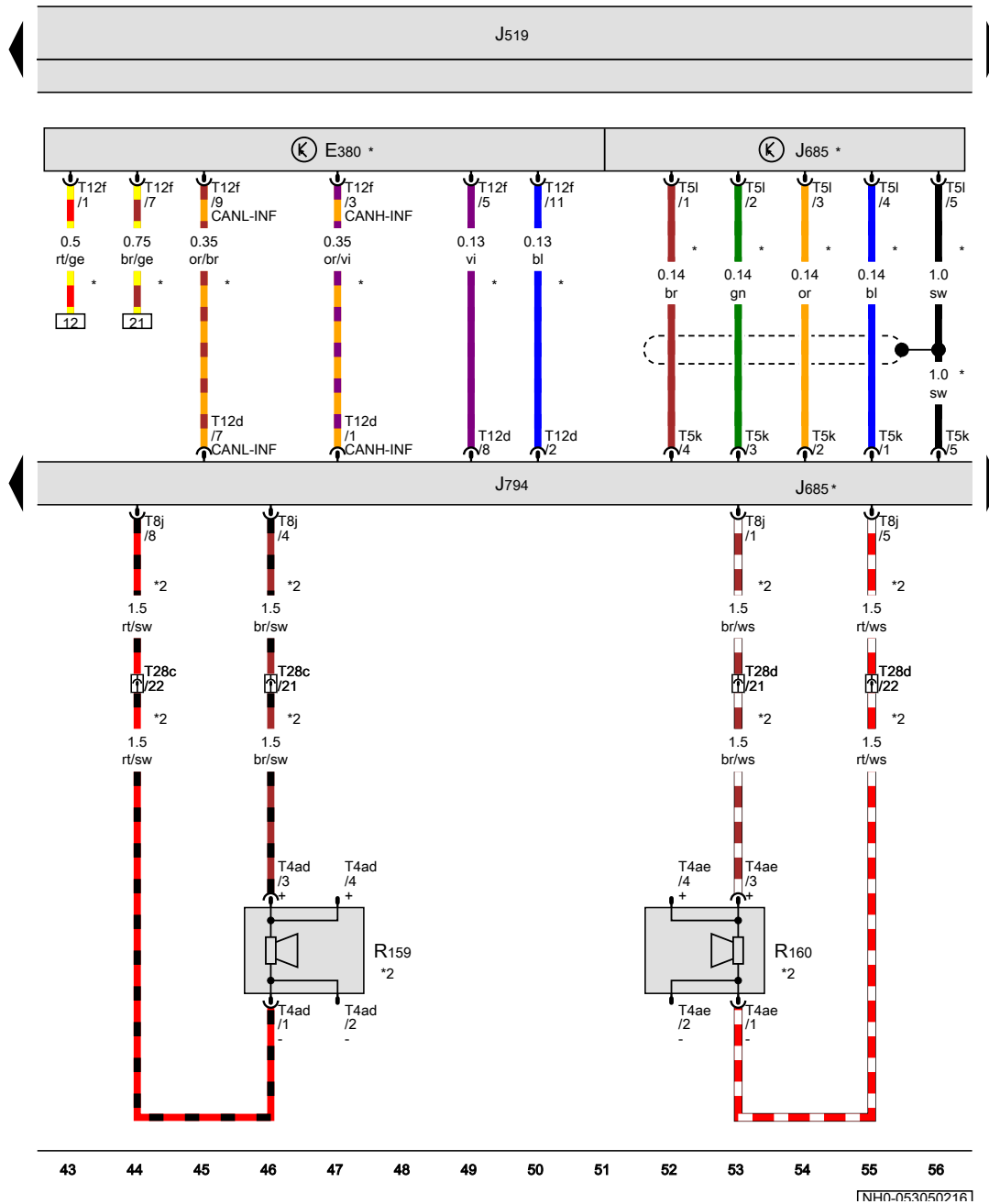


- ws = white
- sw = black
- ro = red
- rt = red
- br = brown
- gn = green
- bl = blue
- gr = grey
- li = purple
- vi = purple
- ge = yellow
- or = orange
- rs = pink

[NH0-053040216]

Multimedia system operating unit, Display unit for front information display and operating unit control unit, Control unit 1 for information electronics, Rear left mid-range and bass loudspeaker, Rear right mid-range and bass loudspeaker

- E380 Multimedia system operating unit
- J519 Onboard supply control unit
- J685 Display unit for front information display and operating unit control unit
- J794 Control unit 1 for information electronics
- R159 Rear left mid-range and bass loudspeaker
- R160 Rear right mid-range and bass loudspeaker
- T4ad 4-pin connector
- T4ae 4-pin connector
- T5k 5-pin connector, pink
- T5l 5-pin connector, blue
- T8j 8-pin connector, brown
- T12d 12-pin connector, grey
- T12f 12-pin connector, black
- T28c 28-pin connector, on left B-pillar
- T28d 28-pin connector, on right B-pillar
- * According to equipment
- *2 Only models with rear loudspeaker

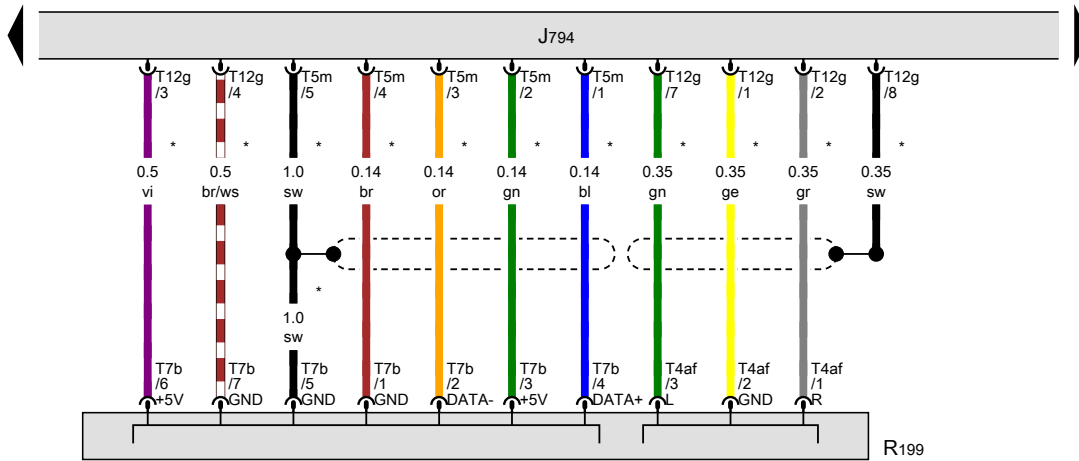
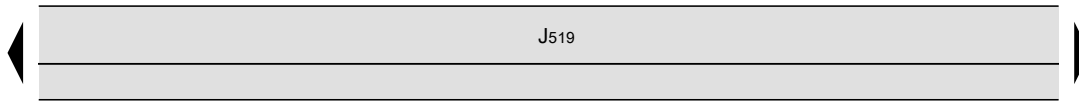


- ws = white
- sw = black
- ro = red
- rt = red
- br = brown
- gn = green
- bl = blue
- gr = grey
- li = purple
- vi = purple
- ge = yellow
- or = orange
- rs = pink

1NH0-0530502161

Control unit 1 for information electronics, Connection for external audio sources

- J519 Onboard supply control unit
- J794 Control unit 1 for information electronics
- R199 Connection for external audio sources
- T4af 4-pin connector
- T5m 5-pin connector, yellow
- T7b 7-pin connector
- T12g 12-pin connector, green
- * Special equipment



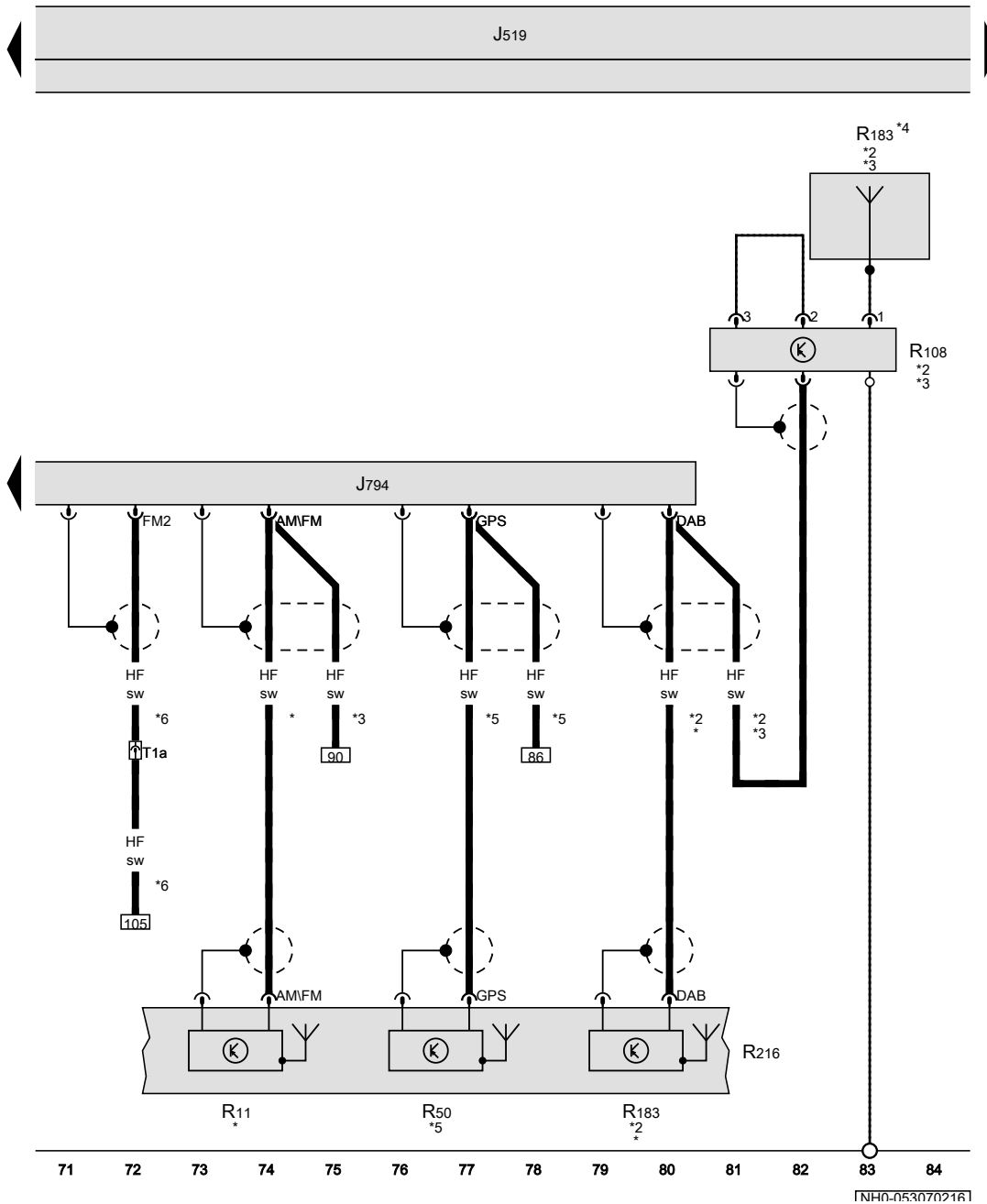
- ws = white
- sw = black
- ro = red
- rt = red
- br = brown
- gn = green
- bl = blue
- gr = grey
- li = purple
- vi = purple
- ge = yellow
- or = orange
- rs = pink

57 58 59 60 61 62 63 64 65 66 67 68 69 70

[NH0-053060216]

Control unit 1 for information electronics, Left aerial module, Digital radio aerial, Roof aerial

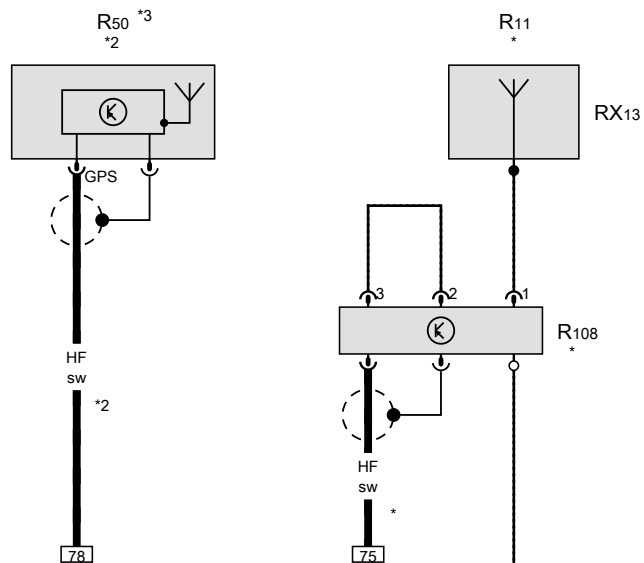
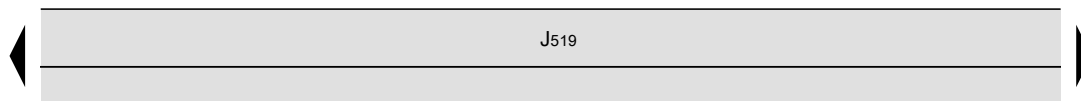
- J519 Onboard supply control unit
- J794 Control unit 1 for information electronics
- R11 Aerial
- R50 GPS aerial
- R108 Left aerial module
- R183 Digital radio aerial
- R216 Roof aerial
- T1a 1-pin connector, on right in luggage compartment
- * Only models with no glass roof
- *2 Special equipment
- *3 Only models with glass roof
- *4 Left side window aerial
- *5 According to equipment
- *6 Only models with rear window aerial



- ws = white
- sw = black
- ro = red
- rt = red
- br = brown
- gn = green
- bl = blue
- gr = grey
- li = purple
- vi = purple
- ge = yellow
- or = orange
- rs = pink

Aerial, GPS aerial, Left aerial module

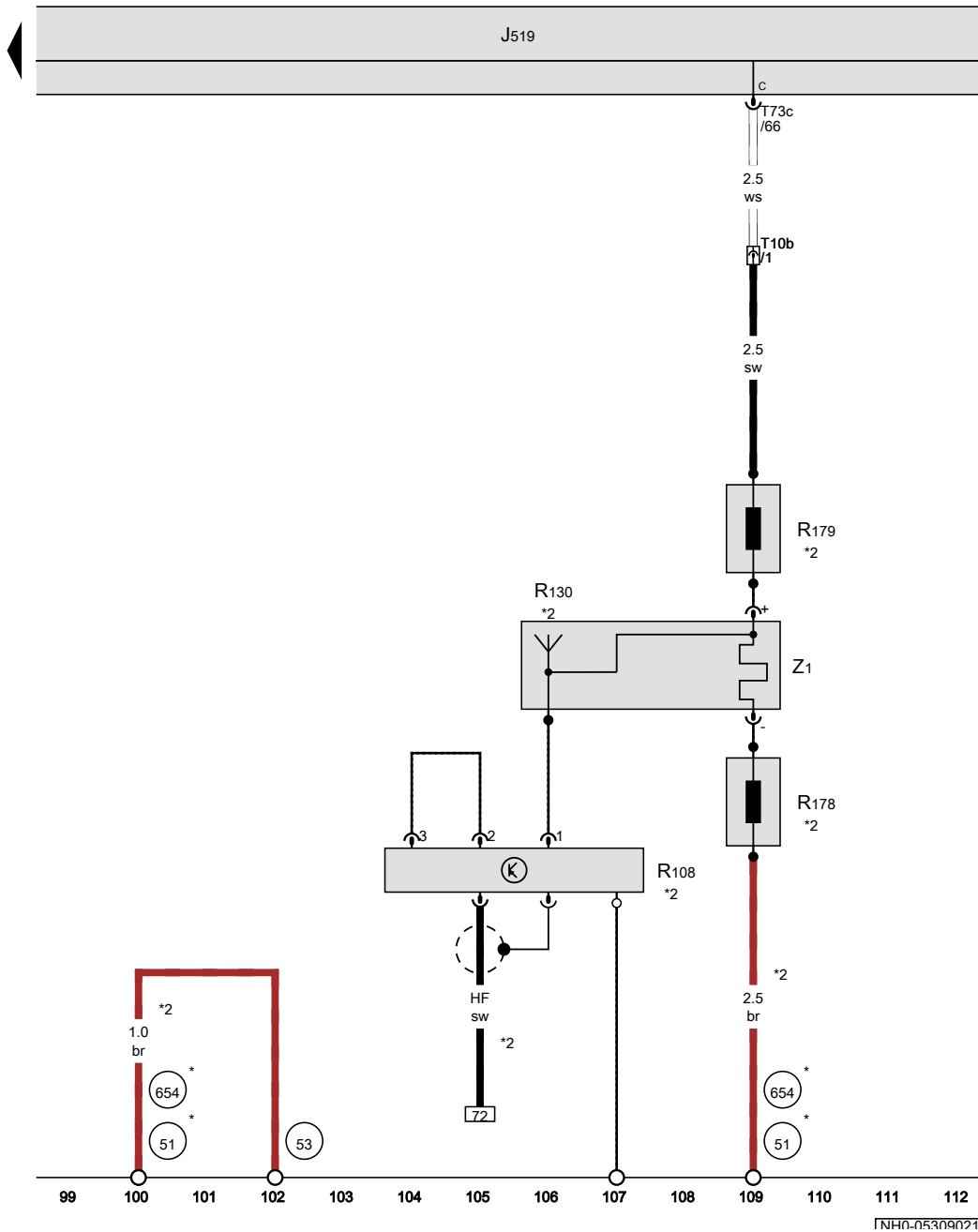
- J519 Onboard supply control unit
- R11 Aerial
- RX13 Glass roof
- R50 GPS aerial
- R108 Left aerial module, under roof trim
- * Only models with glass roof
- *2 According to equipment
- *3 Aerial, routed under dash panel



- ws = white
- sw = black
- ro = red
- rt = red
- br = brown
- gn = green
- bl = blue
- gr = grey
- li = purple
- vi = purple
- ge = yellow
- or = orange
- rs = pink

85 86 87 88 89 90 91 92 93 94 95 96 97 98

[NH0-053080216]



Left aerial module, Rear window aerial 1, Frequency modulation (FM) frequency filter in negative wire, Frequency modulation (FM) frequency filter in positive wire, Heated rear window

- J519 Onboard supply control unit
- R108 Left aerial module
- R130 Rear window aerial 1
- R178 Frequency modulation (FM) frequency filter in negative wire
- R179 Frequency modulation (FM) frequency filter in positive wire
- T10b 10-pin connector
- T73c 73-pin connector, black
- Z1 Heated rear window

- 51 Earth point, on right in luggage compartment
- 53 Earth point, on right in rear lid
- 654 Earth point, on right D-pillar

* see fitting locations
 *2 Only models with rear window aerial

- ws = white
- sw = black
- ro = red
- rt = red
- br = brown
- gn = green
- bl = blue
- gr = grey
- li = purple
- vi = purple
- ge = yellow
- or = orange
- rs = pink

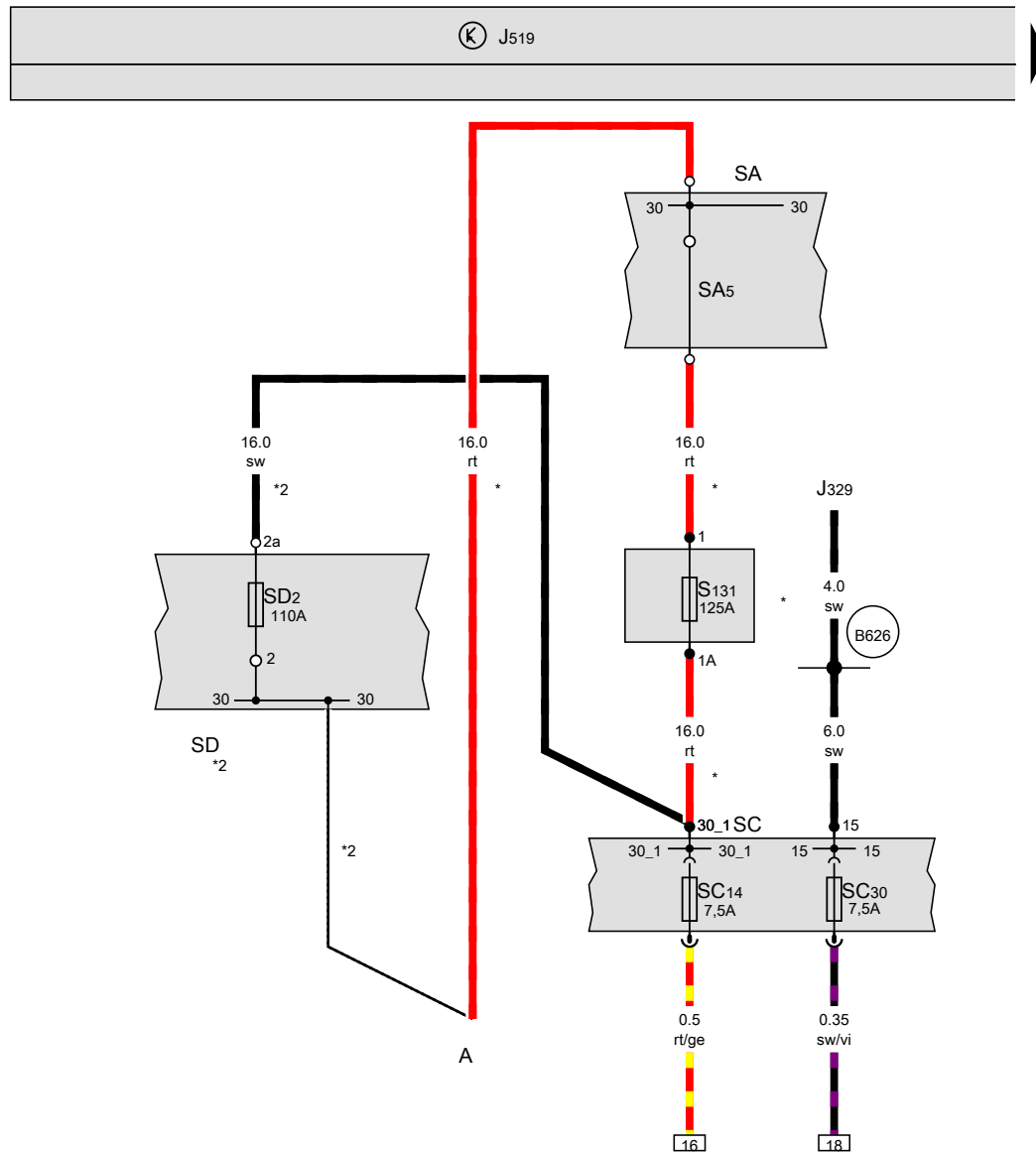
1NH0-0530902161

Preparation for mobile telephone

From May 2015

Battery, Fuse holder A, Fuse holder C, Fuse holder D

- A Battery
- J329 Terminal 15 voltage supply relay
- J519 Onboard supply control unit
- SA Fuse holder A
- SD2 Fuse 2 on fuse holder D
- SA5 Fuse 5 in fuse holder A
- SC Fuse holder C
- SC14 Fuse 14 on fuse holder C
- SC30 Fuse 30 on fuse holder C
- S131 Fuse 1, in main wiring harness
- SD Fuse holder D
- B626** Positive connection 2 (15), in main wiring harness
- * Only models with battery in engine compartment
- *2 Only models with battery in luggage compartment



- ws = white
- sw = black
- ro = red
- rt = red
- br = brown
- gn = green
- bl = blue
- gr = grey
- li = purple
- vi = purple
- ge = yellow
- or = orange
- rs = pink

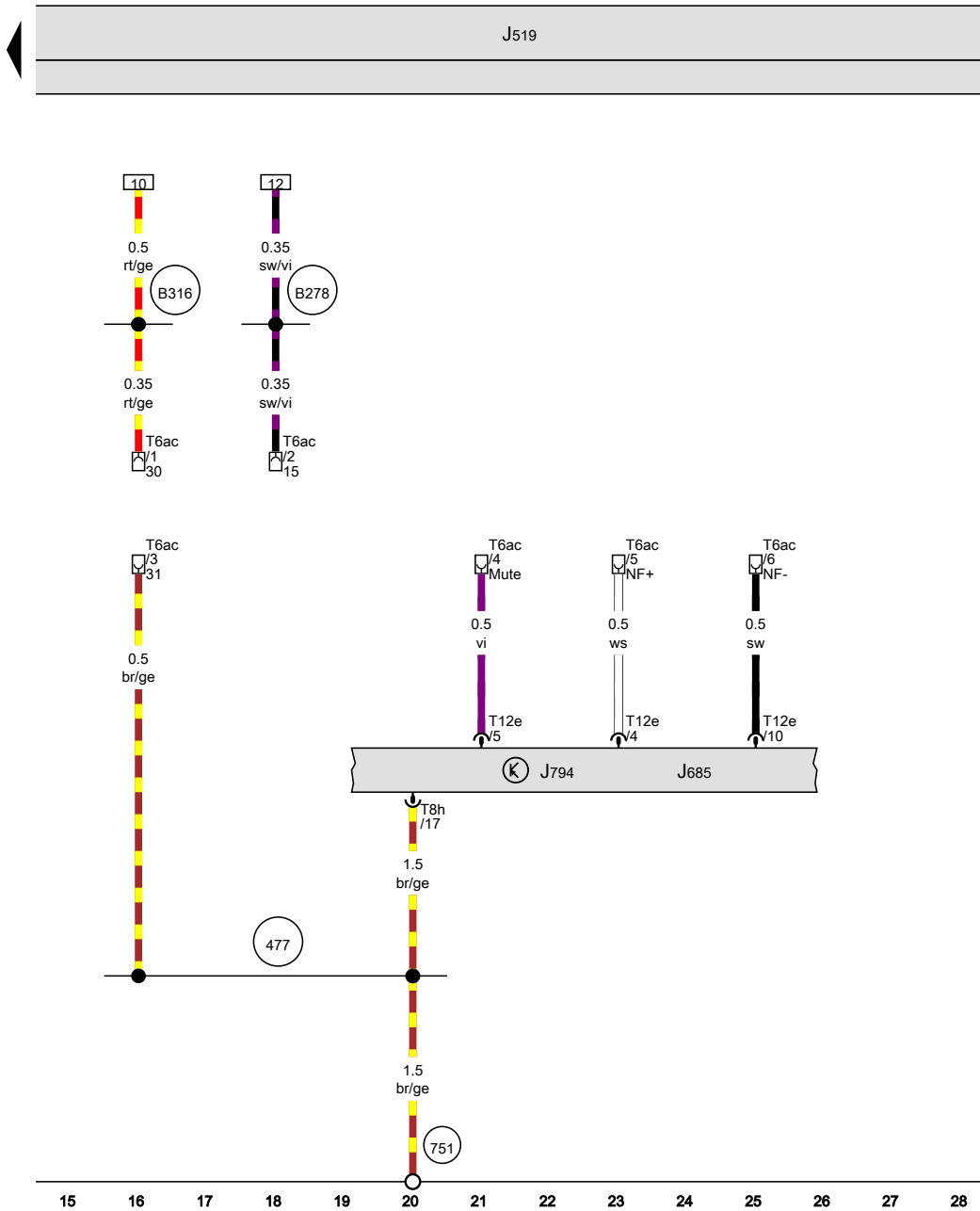
1 2 3 4 5 6 7 8 9 10 11 12 13 14

[NH0-054020216]

Control unit 1 for information electronics

- J519 Onboard supply control unit
- J685 Display unit for front information display and operating unit control unit
- J794 Control unit 1 for information electronics
- T6ac 6-pin connector, behind dash panel, centre
- T8h 8-pin connector, black
- T12e 12-pin connector, blue

- 477 Earth connection (audio), in main wiring harness
- 751 Earth point 2, on right A-pillar
- B278 Positive connection 2 (15a) in main wiring harness
- B316 Positive connection 2 (30a) in main wiring harness



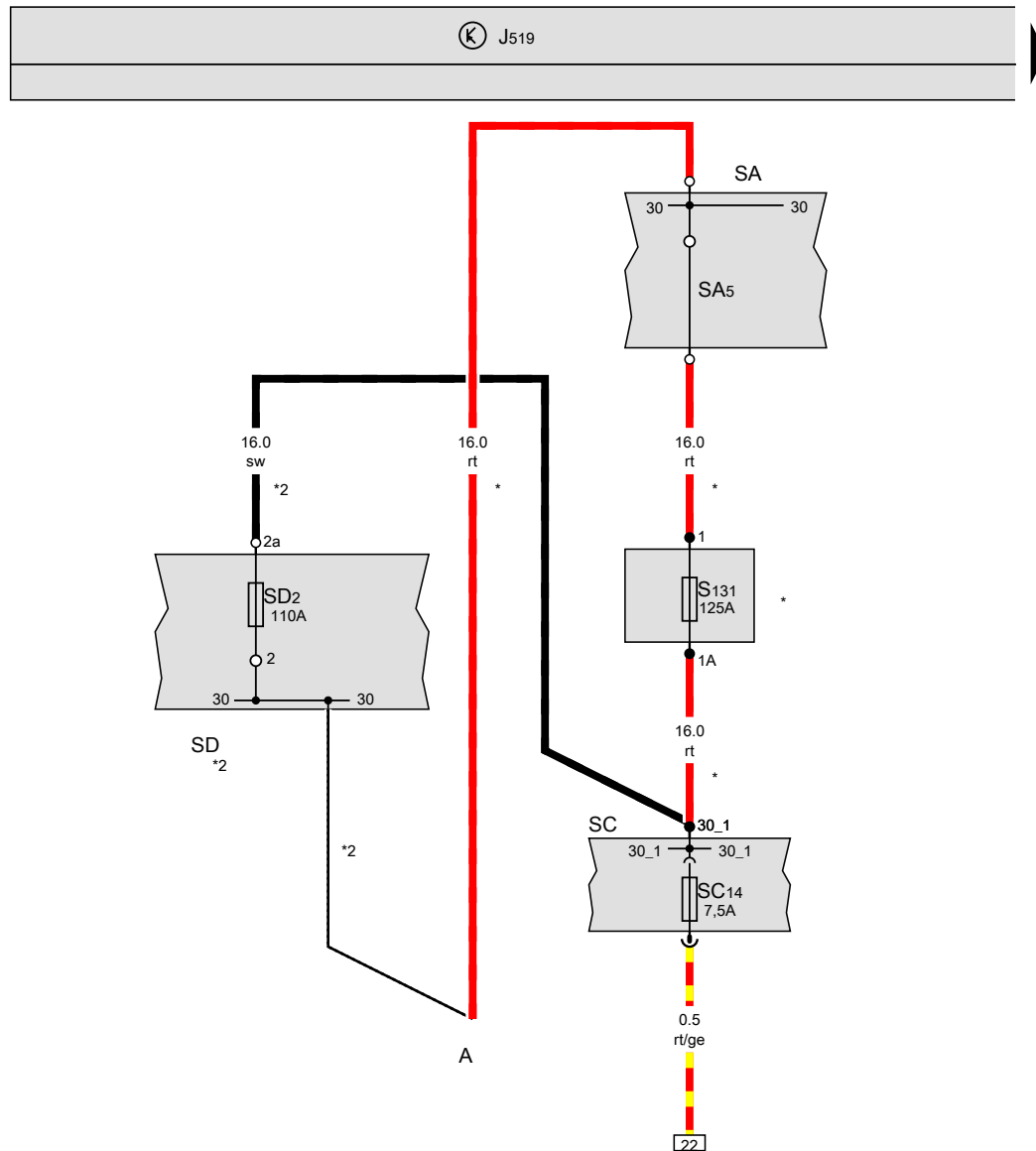
[NH0-054030216]

Multifunction steering wheel

From May 2015

Battery, Fuse holder A, Fuse holder C, Fuse holder D

- A Battery
- J519 Onboard supply control unit
- SA Fuse holder A
- SA5 Fuse 5 in fuse holder A
- S131 Fuse 1, in main wiring harness
- SC Fuse holder C
- SC14 Fuse 14 on fuse holder C
- SD Fuse holder D
- SD2 Fuse 2 on fuse holder D
- * Only models with battery in engine compartment
- *2 Only models with battery in luggage compartment



- ws = white
- sw = black
- ro = red
- rt = red
- br = brown
- gn = green
- bl = blue
- gr = grey
- li = purple
- vi = purple
- ge = yellow
- or = orange
- rs = pink

1 2 3 4 5 6 7 8 9 10 11 12 13 14

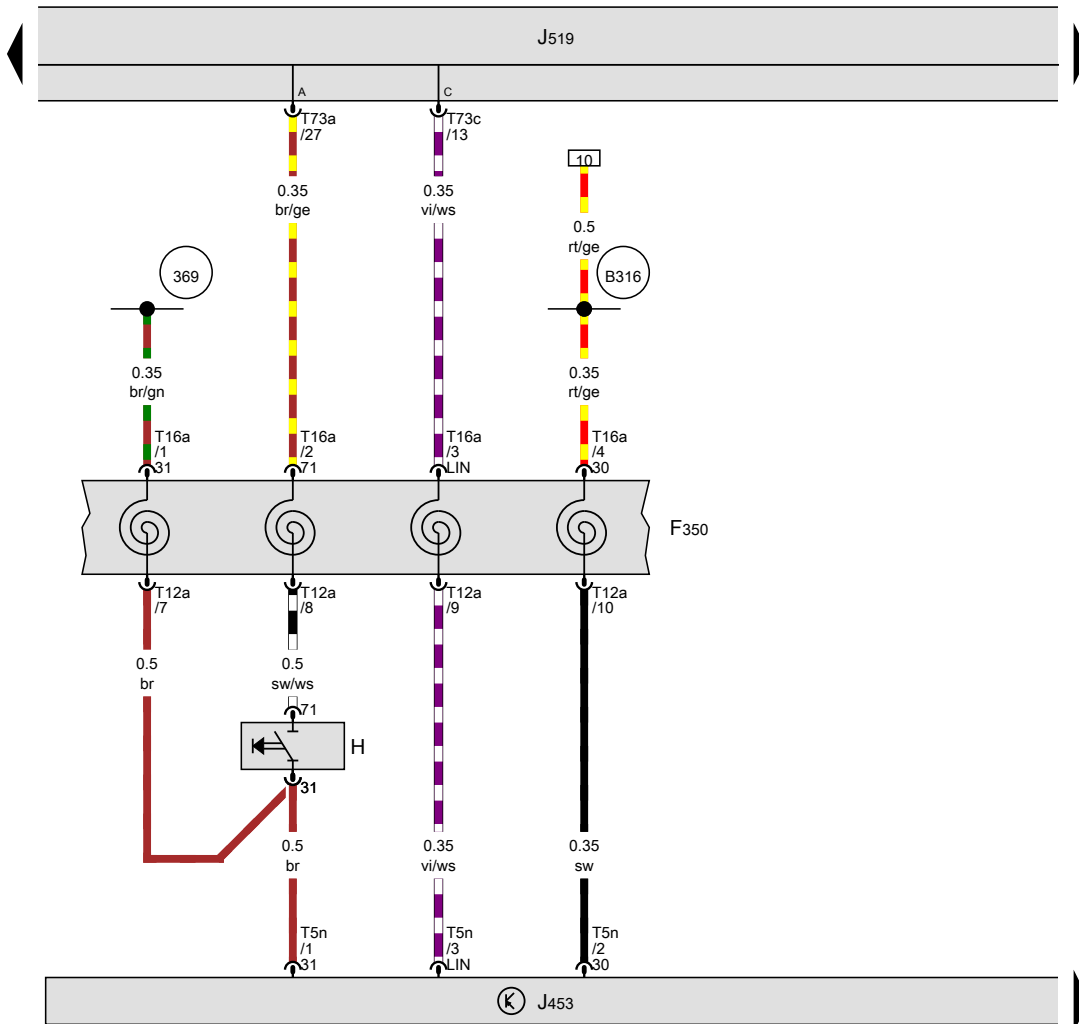
[NH0-055020515]

Coil connector, Horn plate, Multifunction steering wheel control unit

- F350 Coil connector
- H Horn plate
- J453 Multifunction steering wheel control unit
- J519 Onboard supply control unit
- T5n 5-pin connector
- T12a 12-pin connector
- T16a 16-pin connector
- T73a 73-pin connector, black
- T73c 73-pin connector, black

369 Earth connection 4, in main wiring harness

B316 Positive connection 2 (30a) in main wiring harness



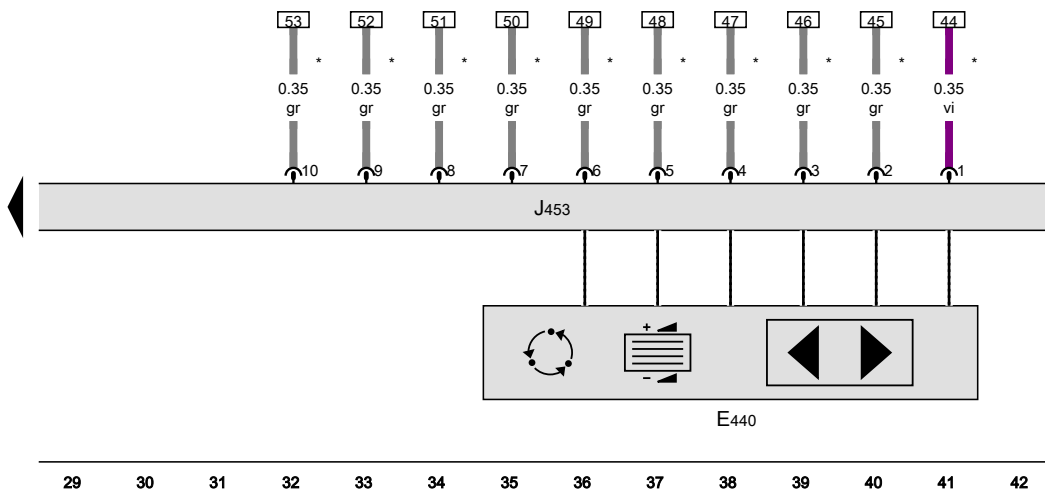
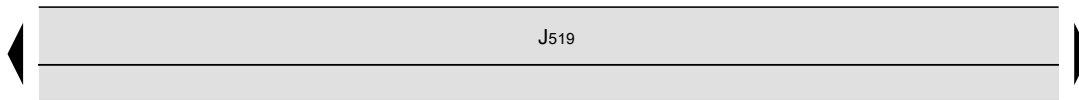
- ws = white
- sw = black
- ro = red
- rt = red
- br = brown
- gn = green
- bl = blue
- gr = grey
- li = purple
- vi = purple
- ge = yellow
- or = orange
- rs = pink

15 16 17 18 19 20 21 22 23 24 25 26 27 28

[NH0-055030515]

Multifunction buttons on left in steering wheel, Multifunction steering wheel control unit

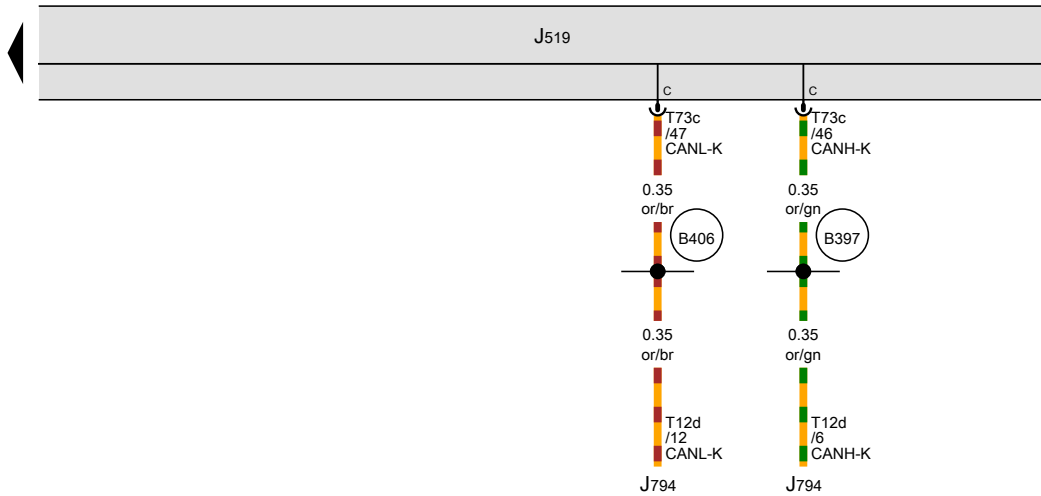
- E440 Multifunction buttons on left in steering wheel
- J453 Multifunction steering wheel control unit
- J519 Onboard supply control unit
- * According to equipment



- ws = white
- sw = black
- ro = red
- rt = red
- br = brown
- gn = green
- bl = blue
- gr = grey
- li = purple
- vi = purple
- ge = yellow
- or = orange
- rs = pink

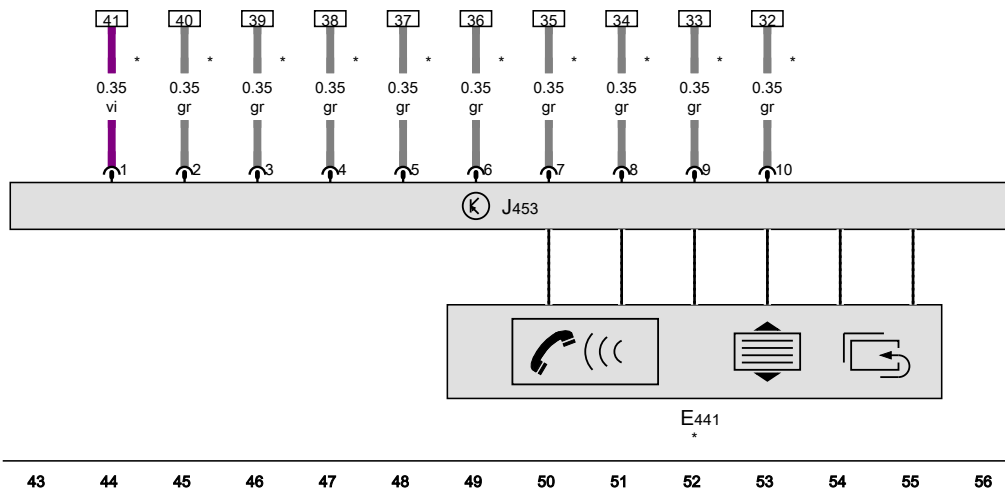
29 30 31 32 33 34 35 36 37 38 39 40 41 42

[NH0-055040515]



**Multifunction buttons on right in steering wheel,
Multifunction steering wheel control unit**

- E441 Multifunction buttons on right in steering wheel
- J453 Multifunction steering wheel control unit
- J519 Onboard supply control unit
- J794 Control unit 1 for information electronics
- T12d 12-pin connector, grey
- T73c 73-pin connector, black
- B397** Connection 1 (convenience CAN bus, high), in main wiring harness
- B406** Connection 1 (convenience CAN bus, low), in main wiring harness
- * According to equipment



- ws = white
- sw = black
- ro = red
- rt = red
- br = brown
- gn = green
- bl = blue
- gr = grey
- li = purple
- vi = purple
- ge = yellow
- or = orange
- rs = pink

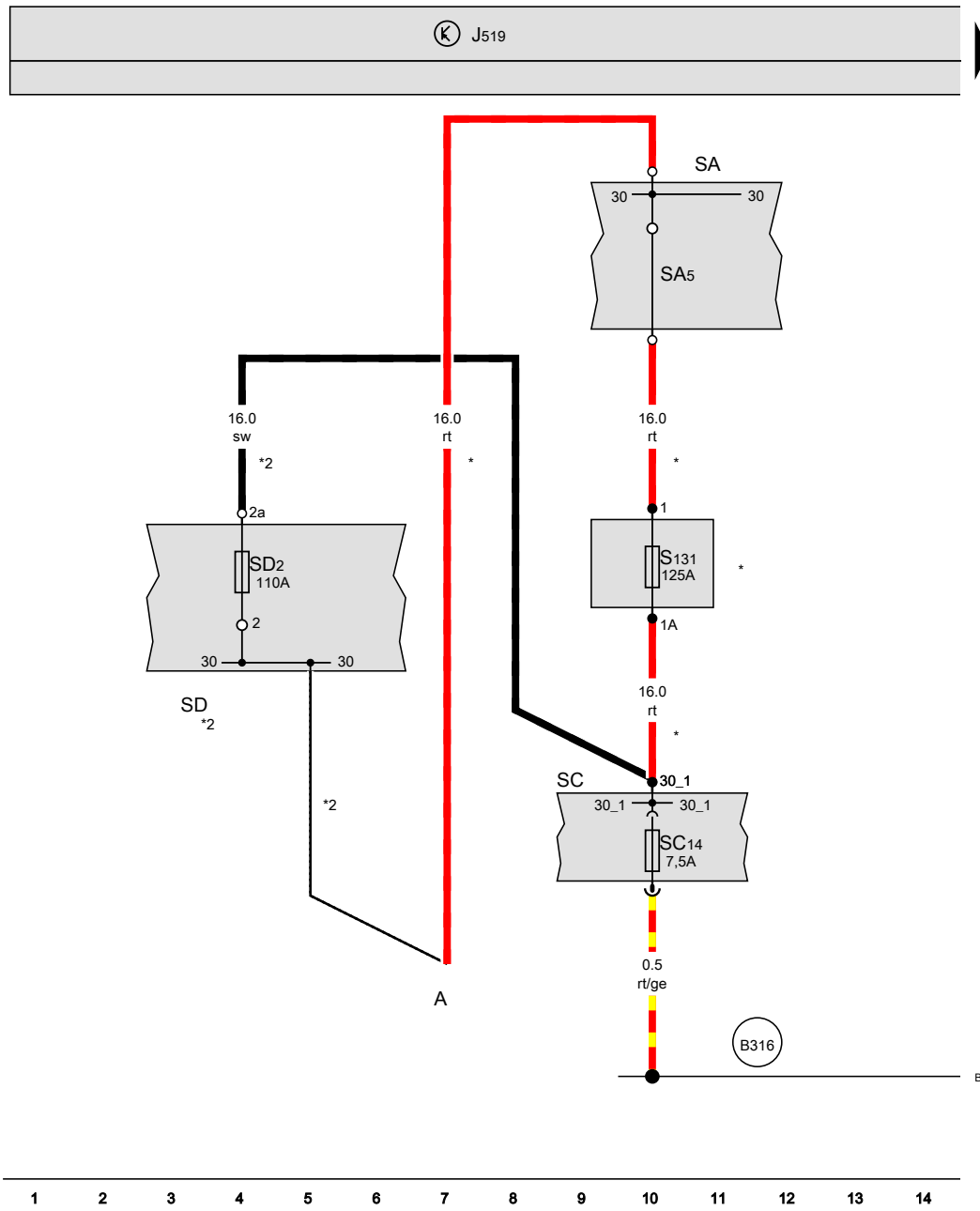
[NH0-055050515]

Wireless data transfer , (EI9),(L0L)

From May 2015

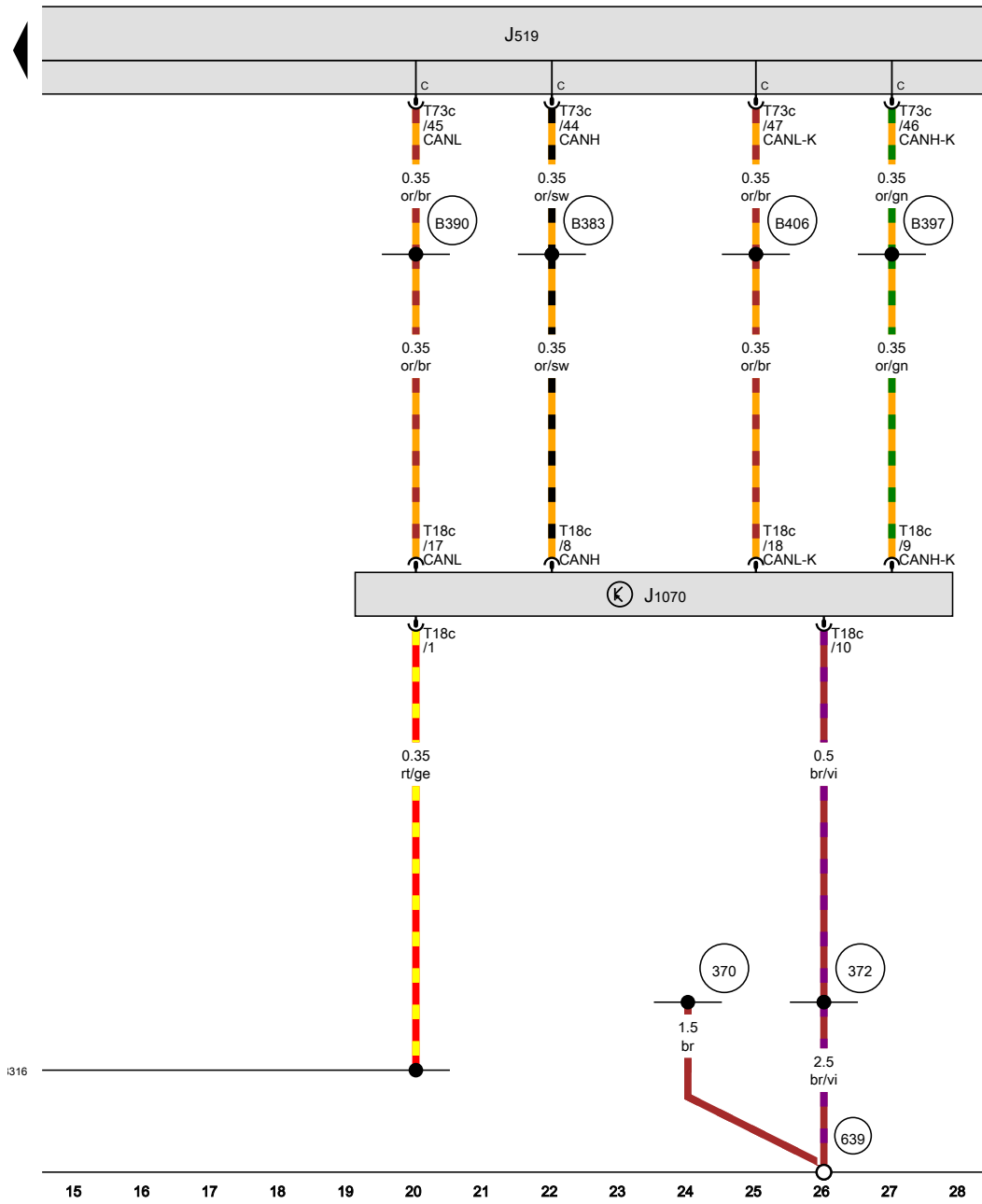
Battery, Fuse holder A, Fuse holder C, Fuse holder D

- A Battery
- J519 Onboard supply control unit
- S131 Fuse 1, in main wiring harness
- SA Fuse holder A
- SD2 Fuse 2 on fuse holder D
- SA5 Fuse 5 in fuse holder A
- SC Fuse holder C
- SC14 Fuse 14 on fuse holder C
- SD Fuse holder D
- B316** Positive connection 2 (30a) in main wiring harness
- * Only models with battery in engine compartment
- *2 Only models with battery in luggage compartment



- ws = white
- sw = black
- ro = red
- rt = red
- br = brown
- gn = green
- bl = blue
- gr = grey
- li = purple
- vi = purple
- ge = yellow
- or = orange
- rs = pink

[NH0-056020216]



Control unit for wireless data transfer

- J519 Onboard supply control unit
- J1070 Control unit for wireless data transfer, under seat on front left
- T18c 18-pin connector
- T73c 73-pin connector, black

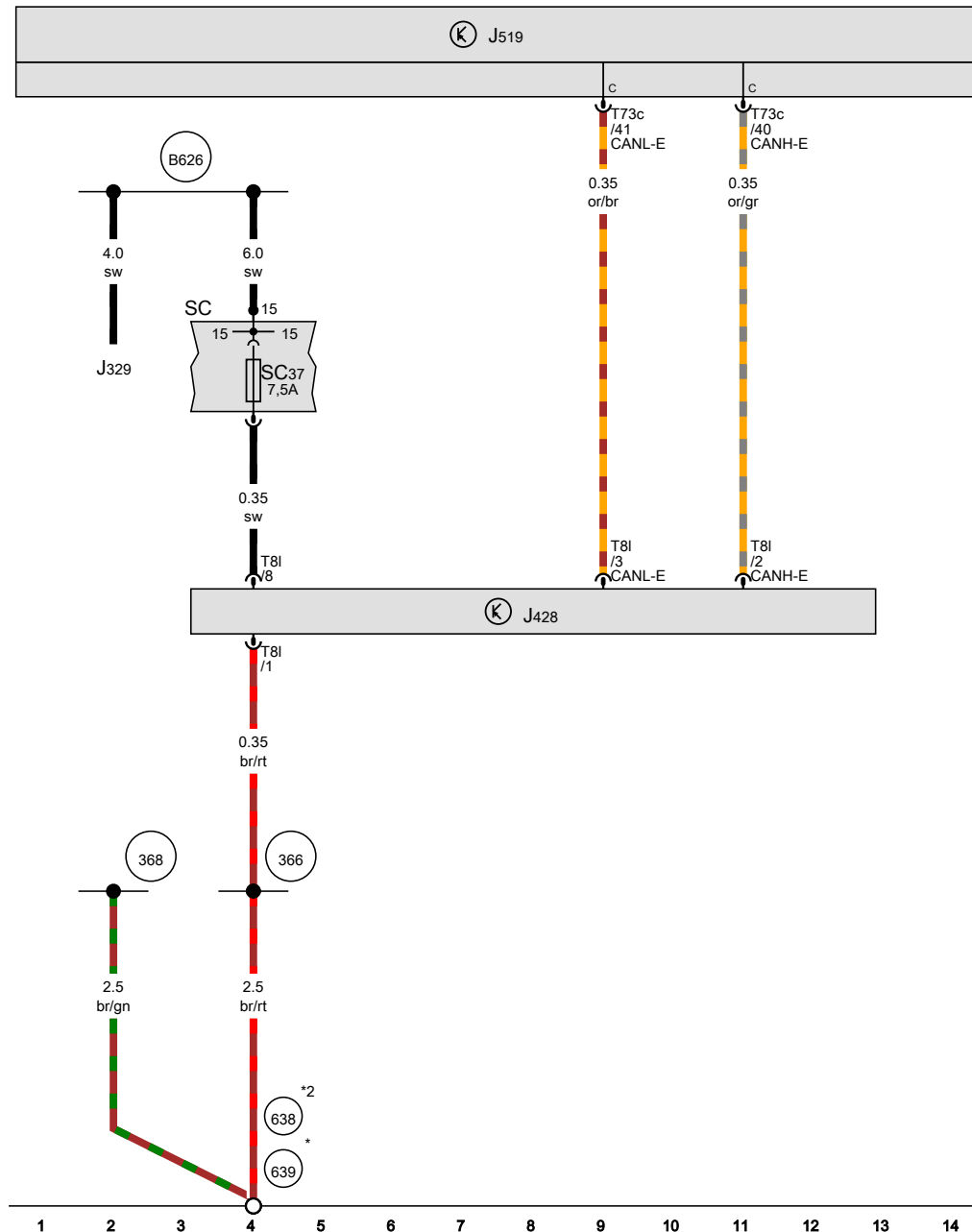
- (370) Earth connection 5, in main wiring harness
- (372) Earth connection 7, in main wiring harness
- (639) Earth point, left A-pillar
- (B316) Positive connection 2 (30a) in main wiring harness
- (B383) Connection 1 (powertrain CAN bus, high), in main wiring harness
- (B390) Connection 1 (powertrain CAN bus, low), in main wiring harness
- (B397) Connection 1 (convenience CAN bus, high), in main wiring harness
- (B406) Connection 1 (convenience CAN bus, low), in main wiring harness

- ws = white
- sw = black
- ro = red
- rt = red
- br = brown
- gn = green
- bl = blue
- gr = grey
- li = purple
- vi = purple
- ge = yellow
- or = orange
- rs = pink

[NH0-056030216]

Adaptive cruise control

From May 2015



Adaptive cruise control unit, Fuse holder C

- J329 Terminal 15 voltage supply relay
- J428 Adaptive cruise control unit
- J519 Onboard supply control unit
- SC Fuse holder C
- SC37 Fuse 37 on fuse holder C
- T81 8-pin connector
- T73c 73-pin connector, black

- 366 Earth connection 1, in main wiring harness
- 368 Earth connection 3, in main wiring harness
- 638 Earth point, on right A-pillar
- 639 Earth point, left A-pillar
- B626 Positive connection 2 (15), in main wiring harness

* Only left-hand drive models
 *2 Only right-hand drive models

- ws = white
- sw = black
- ro = red
- rt = red
- br = brown
- gn = green
- bl = blue
- gr = grey
- li = purple
- vi = purple
- ge = yellow
- or = orange
- rs = pink

[NH0-057020216]

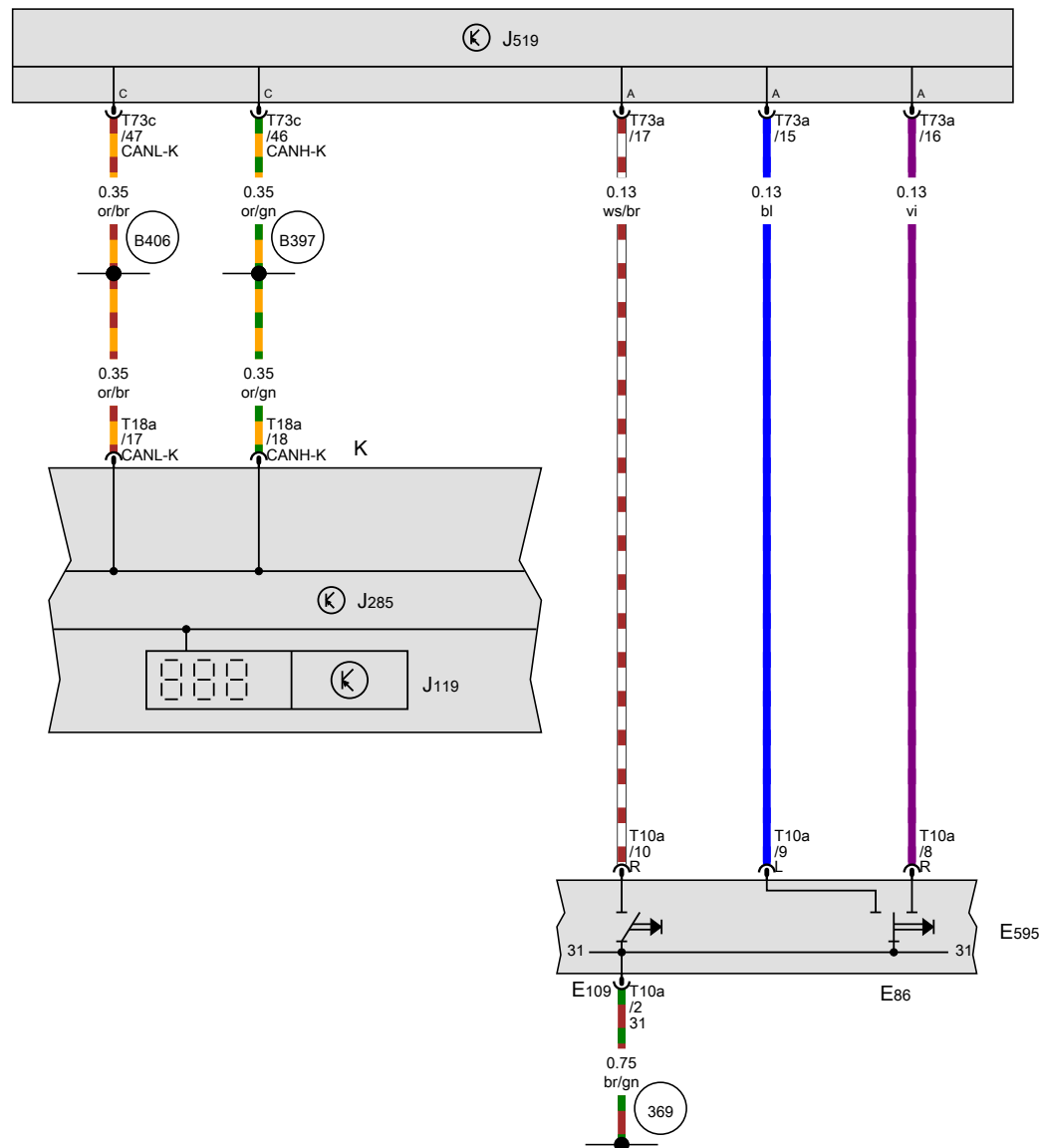
Multifunction display (MFI)

From May 2015

Multifunction display call-up button, Multifunction display memory switch, Steering column combination switch, Multifunction indicator, Dash panel insert

- E86 Multifunction display call-up button
- E109 Multifunction display memory switch
- E595 Steering column combination switch
- J119 Multifunction indicator
- J285 Control unit in dash panel insert
- J519 Onboard supply control unit
- K Dash panel insert
- T10a 10-pin connector
- T18a 18-pin connector
- T73a 73-pin connector, black
- T73c 73-pin connector, black

- 369 Earth connection 4, in main wiring harness
- B397 Connection 1 (convenience CAN bus, high), in main wiring harness
- B406 Connection 1 (convenience CAN bus, low), in main wiring harness



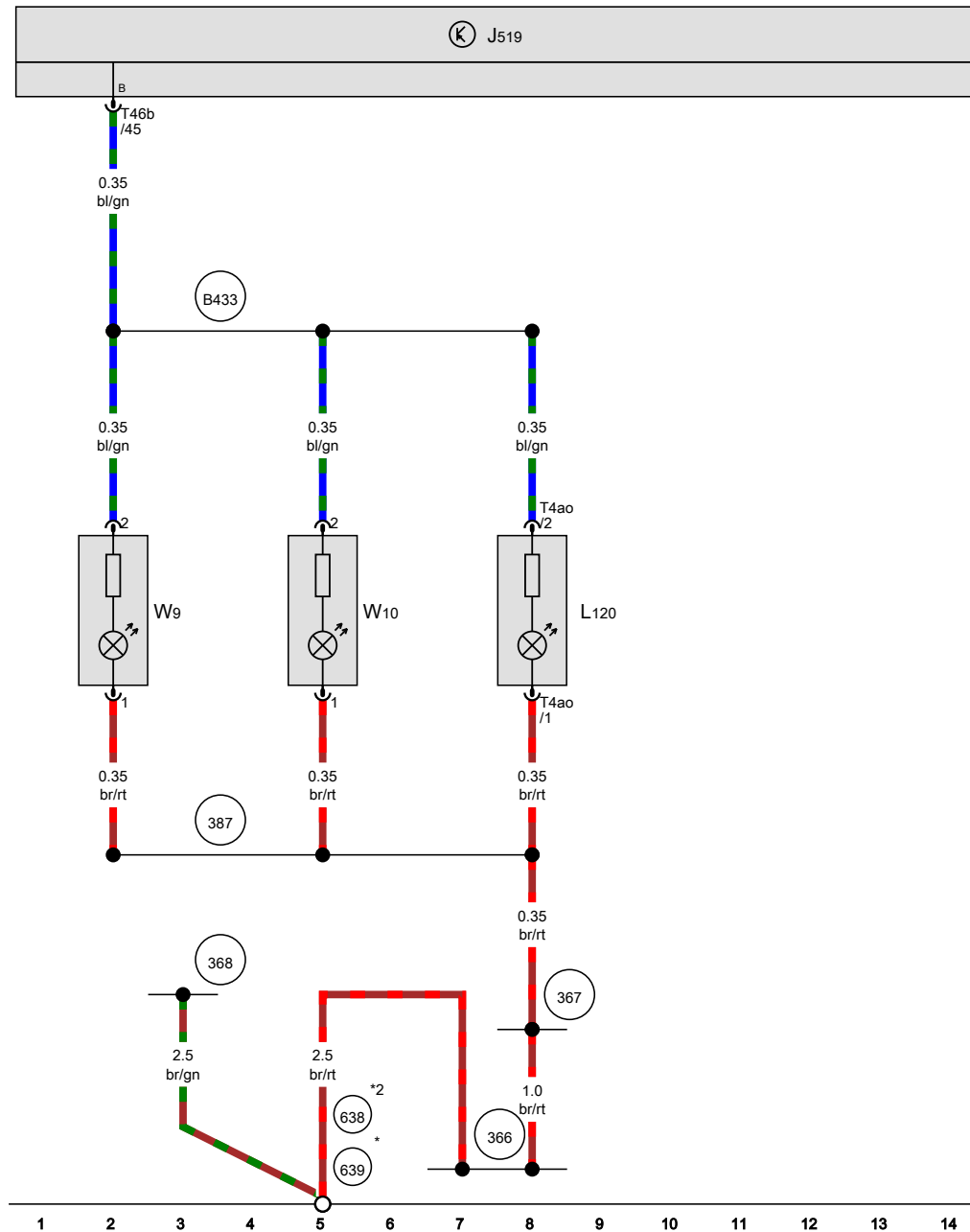
- ws = white
- sw = black
- ro = red
- rt = red
- br = brown
- gn = green
- bl = blue
- gr = grey
- li = purple
- vi = purple
- ge = yellow
- or = orange
- rs = pink

1 2 3 4 5 6 7 8 9 10 11 12 13 14

[NH0-058020515]

Ambient lighting

From May 2015



Storage compartment illumination bulb, Left footwell light, Right footwell light

- J519 Onboard supply control unit
- L120 Storage compartment illumination bulb, in front centre console
- T4ao 4-pin connector
- T46b 46-pin connector, brown
- W9 Left footwell light
- W10 Right footwell light

- 366 Earth connection 1, in main wiring harness
- 367 Earth connection 2, in main wiring harness
- 368 Earth connection 3, in main wiring harness
- 387 Earth connection 22, in main wiring harness
- 638 Earth point, on right A-pillar
- 639 Earth point, left A-pillar
- B433 Connection (footwell light), in main wiring harness

- * Only left-hand drive models
- *2 Only right-hand drive models

- ws = white
- sw = black
- ro = red
- rt = red
- br = brown
- gn = green
- bl = blue
- gr = grey
- li = purple
- vi = purple
- ge = yellow
- or = orange
- rs = pink

[NH0-059020516]

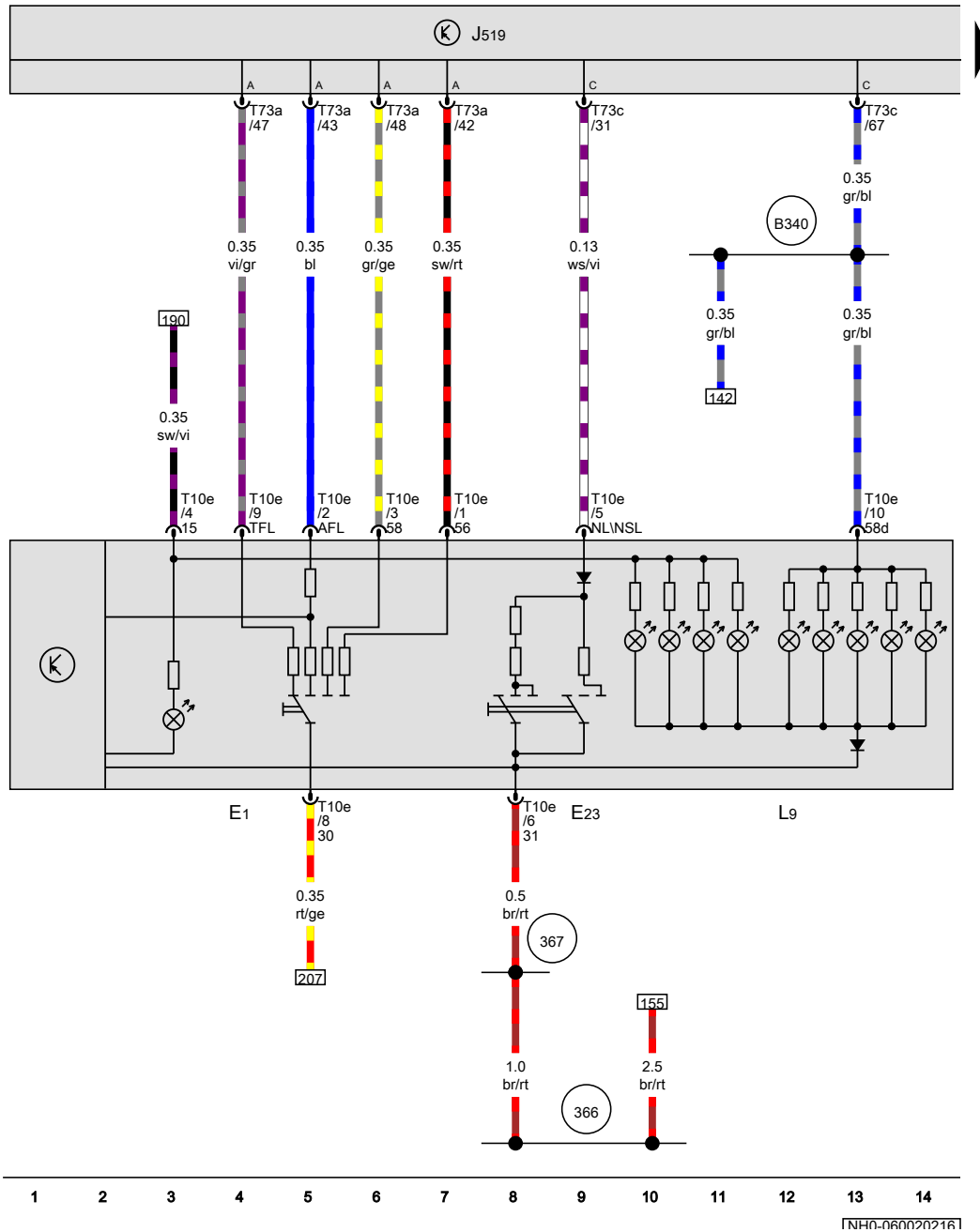
Exterior lighting , (K8B),(L0R)

From May 2015

Light switch

- E1 Light switch
- E23 Front and rear fog light switch
- J519 Onboard supply control unit
- L9 Light switch illumination bulb
- T10e 10-pin connector
- T73a 73-pin connector, black
- T73c 73-pin connector, black

- 366 Earth connection 1, in main wiring harness
- 367 Earth connection 2, in main wiring harness
- B340 Connection 1 (58d), in main wiring harness

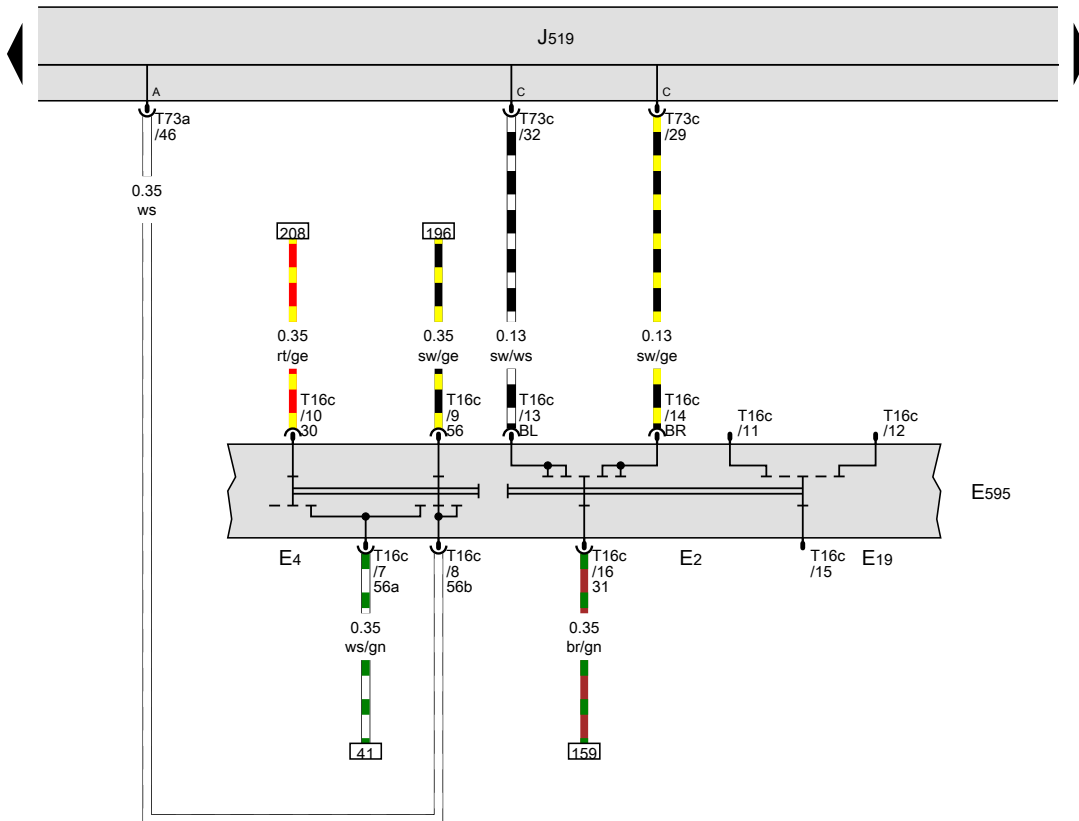


- ws = white
- sw = black
- ro = red
- rt = red
- br = brown
- gn = green
- bl = blue
- gr = grey
- li = purple
- vi = purple
- ge = yellow
- or = orange
- rs = pink

[NH0-060020216]

Turn signal switch, Headlight dipper and flasher switch, Parking light switch, Steering column combination switch

- E2 Turn signal switch
- E4 Headlight dipper and flasher switch
- E19 Parking light switch
- E595 Steering column combination switch
- J519 Onboard supply control unit
- T16c 16-pin connector
- T73a 73-pin connector, black
- T73c 73-pin connector, black

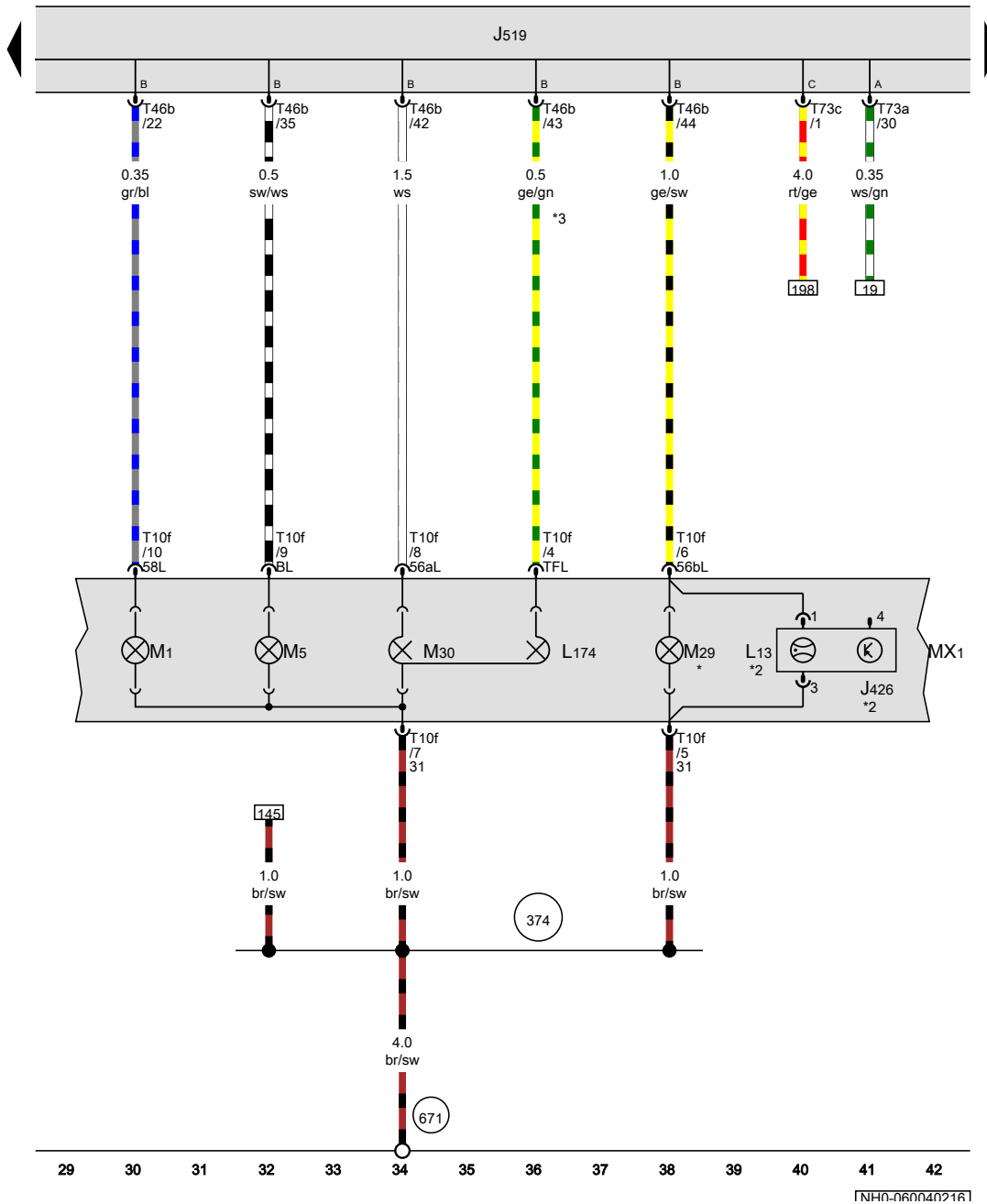


- ws = white
- sw = black
- ro = red
- rt = red
- br = brown
- gn = green
- bl = blue
- gr = grey
- li = purple
- vi = purple
- ge = yellow
- or = orange
- rs = pink

15 16 17 18 19 20 21 22 23 24 25 26 27 28

[NH0-060030216]

Front left headlight



- J426 Left headlight starter for gas discharge light
- J519 Onboard supply control unit
- L13 Left gas discharge (xenon) bulb
- L174 Left daytime running light bulb
- MX1 Front left headlight
- M1 Left side light bulb
- M5 Front left turn signal bulb
- M29 Left headlight dipped beam bulb
- M30 Left headlight main beam bulb
- T10f 10-pin connector
- T46b 46-pin connector, brown
- T73a 73-pin connector, black
- T73c 73-pin connector, black

- 374 Earth connection 9, in main wiring harness
- 671 Earth point 1, on front of left longitudinal member
- * Only models with halogen headlights
- *2 Only models with xenon headlights
- *3 Only models with daytime running lights

- ws = white
- sw = black
- ro = red
- rt = red
- br = brown
- gn = green
- bl = blue
- gr = grey
- li = purple
- vi = purple
- ge = yellow
- or = orange
- rs = pink

1NH0-0600402161

Front right headlight

- J427 Right headlight starter for gas discharge light
- J519 Onboard supply control unit
- L14 Right gas discharge (xenon) bulb
- L175 Right daytime running light bulb
- MX2 Front right headlight
- M3 Right side light bulb
- M7 Front right turn signal bulb
- M31 Right headlight dipped beam bulb
- M32 Right headlight main beam bulb
- T10g 10-pin connector
- T46b 46-pin connector, brown
- T73a 73-pin connector, black

12 Earth point, on left in engine compartment

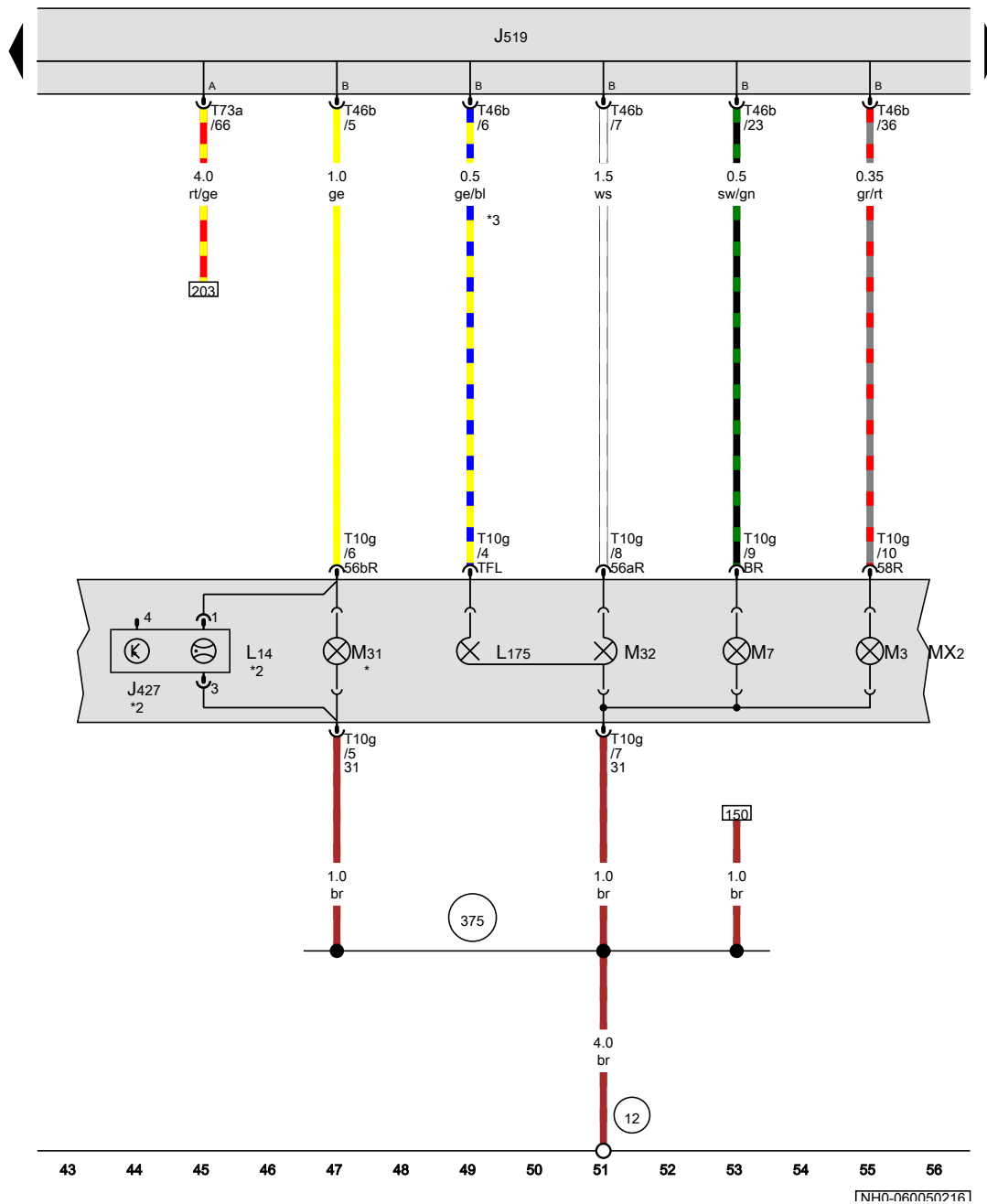
375 Earth connection 10, in main wiring harness

* Only models with halogen headlights

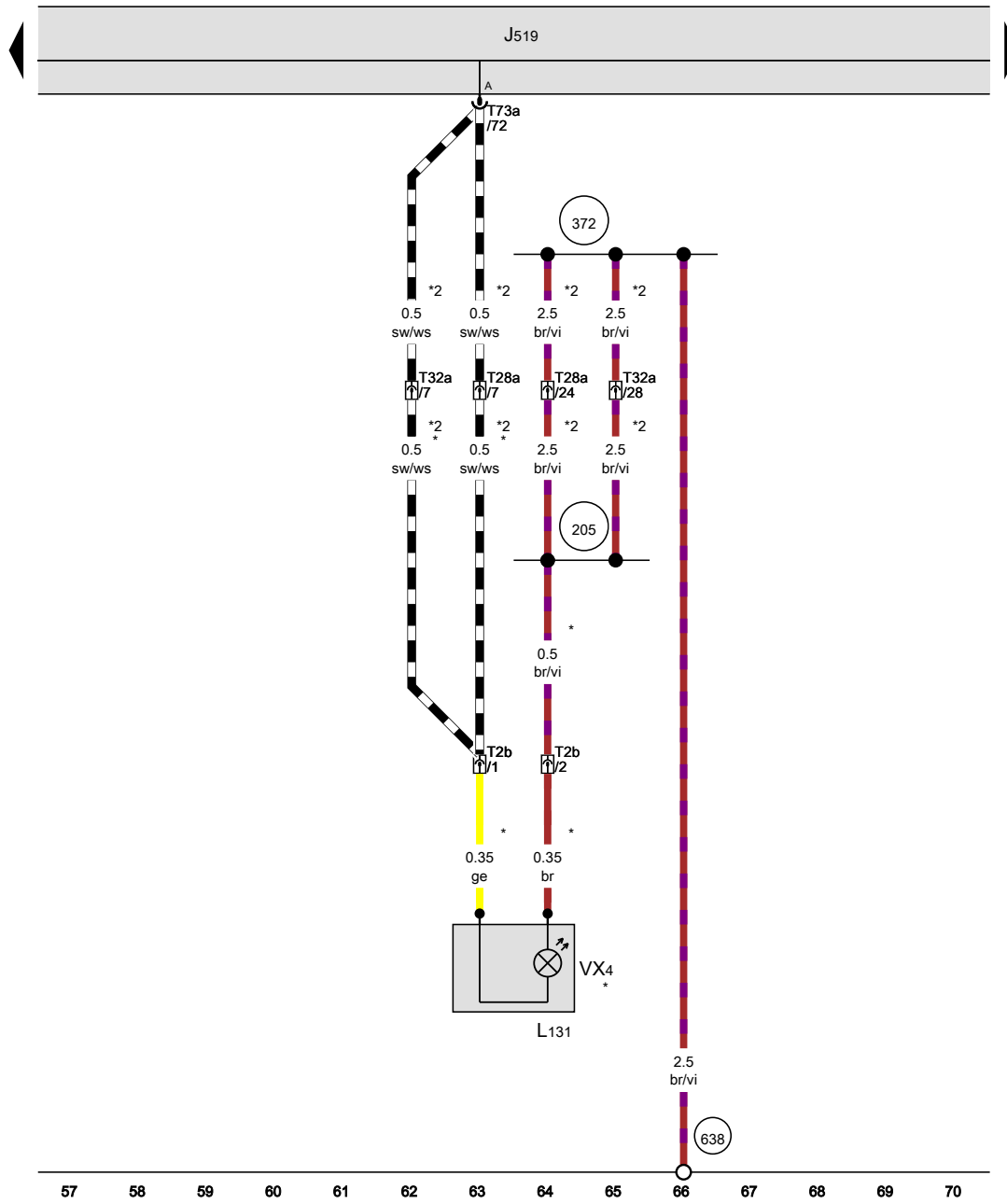
*2 Only models with xenon headlights

*3 Only models with daytime running lights

- ws = white
- sw = black
- ro = red
- rt = red
- br = brown
- gn = green
- bl = blue
- gr = grey
- li = purple
- vi = purple
- ge = yellow
- or = orange
- rs = pink



[NH0-060050216]



Driver side exterior mirror

- J519 Onboard supply control unit
- L131 Driver side turn signal repeater bulb
- T2b 2-pin connector
- T28a 28-pin connector, on right A-pillar
- T32a 32-pin connector, on right A-pillar
- T73a 73-pin connector, black
- VX4 Driver side exterior mirror

205 Earth connection, in driver door wiring harness

372 Earth connection 7, in main wiring harness

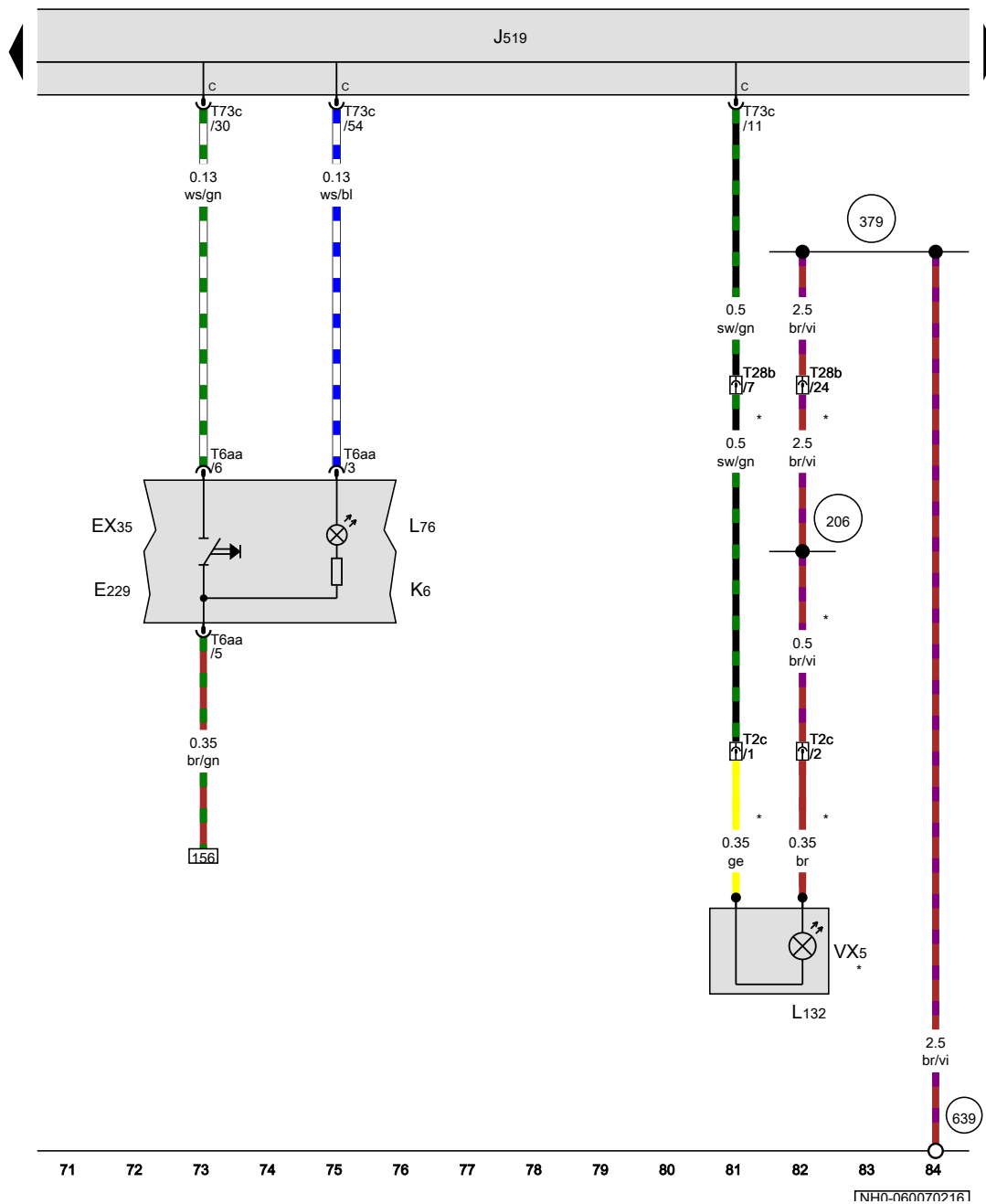
638 Earth point, on right A-pillar

* Only models with no electrically adjustable exterior mirrors

*2 According to equipment

- ws = white
- sw = black
- ro = red
- rt = red
- br = brown
- gn = green
- bl = blue
- gr = grey
- li = purple
- vi = purple
- ge = yellow
- or = orange
- rs = pink

1NH0-060060216



Centre switch module 2 in dash panel, Hazard warning lights button, Front passenger side exterior mirror

- EX35 Centre switch module 2 in dash panel
- E229 Hazard warning lights button
- J519 Onboard supply control unit
- K6 Indicator lamp for hazard warning light
- L76 Button illumination bulb
- L132 Front passenger side turn signal repeater bulb
- T2c 2-pin connector
- T6aa 6-pin connector
- T28b 28-pin connector, on left A-pillar
- T73c 73-pin connector, black
- VX5 Front passenger side exterior mirror
- 206 Earth connection, in front passenger door wiring harness
- 379 Earth connection 14, in main wiring harness
- 639 Earth point, left A-pillar
- * Only models with no electrically adjustable exterior mirrors

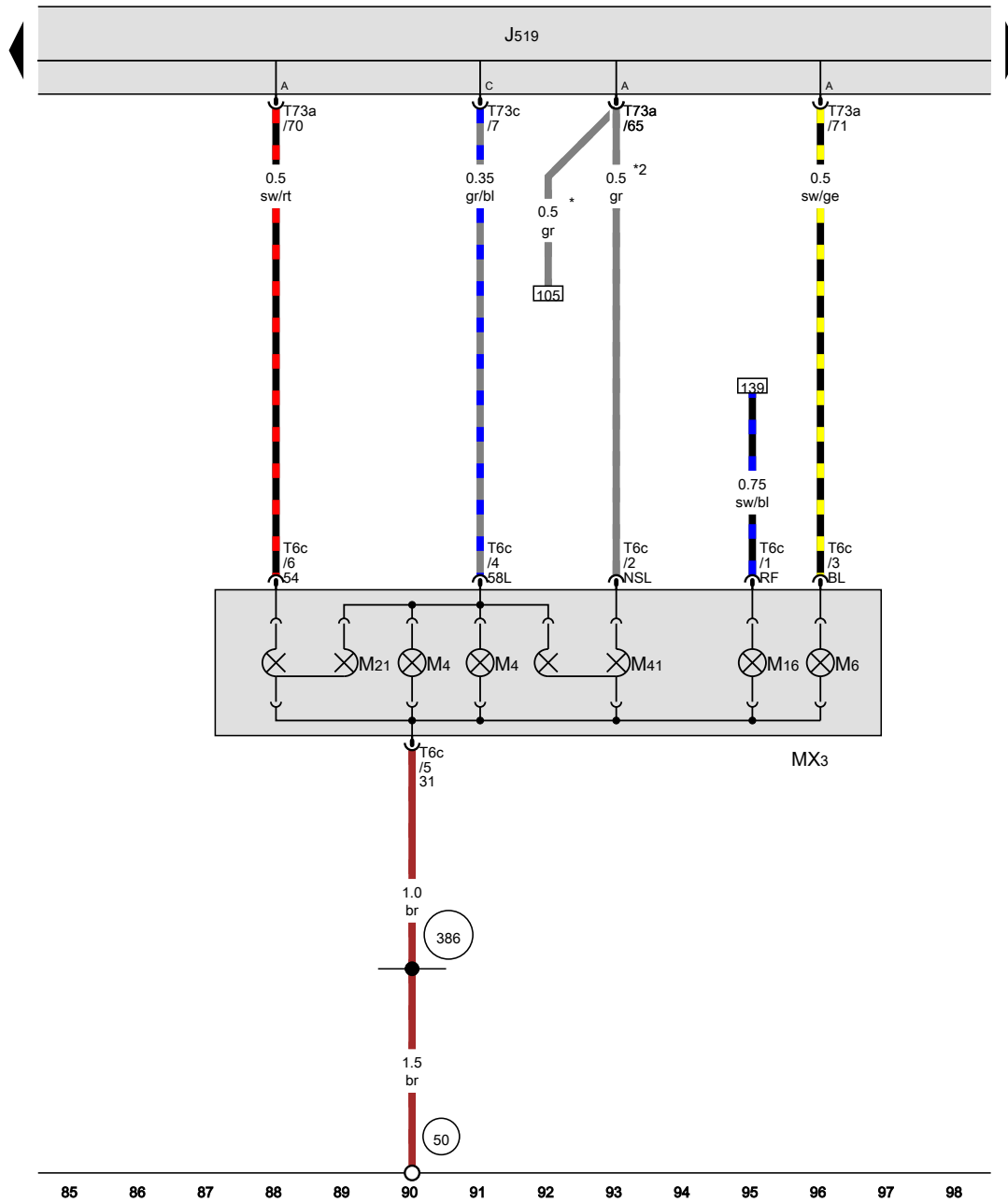
- ws = white
- sw = black
- ro = red
- rt = red
- br = brown
- gn = green
- bl = blue
- gr = grey
- li = purple
- vi = purple
- ge = yellow
- or = orange
- rs = pink

[NH0-060070216]

Left tail light

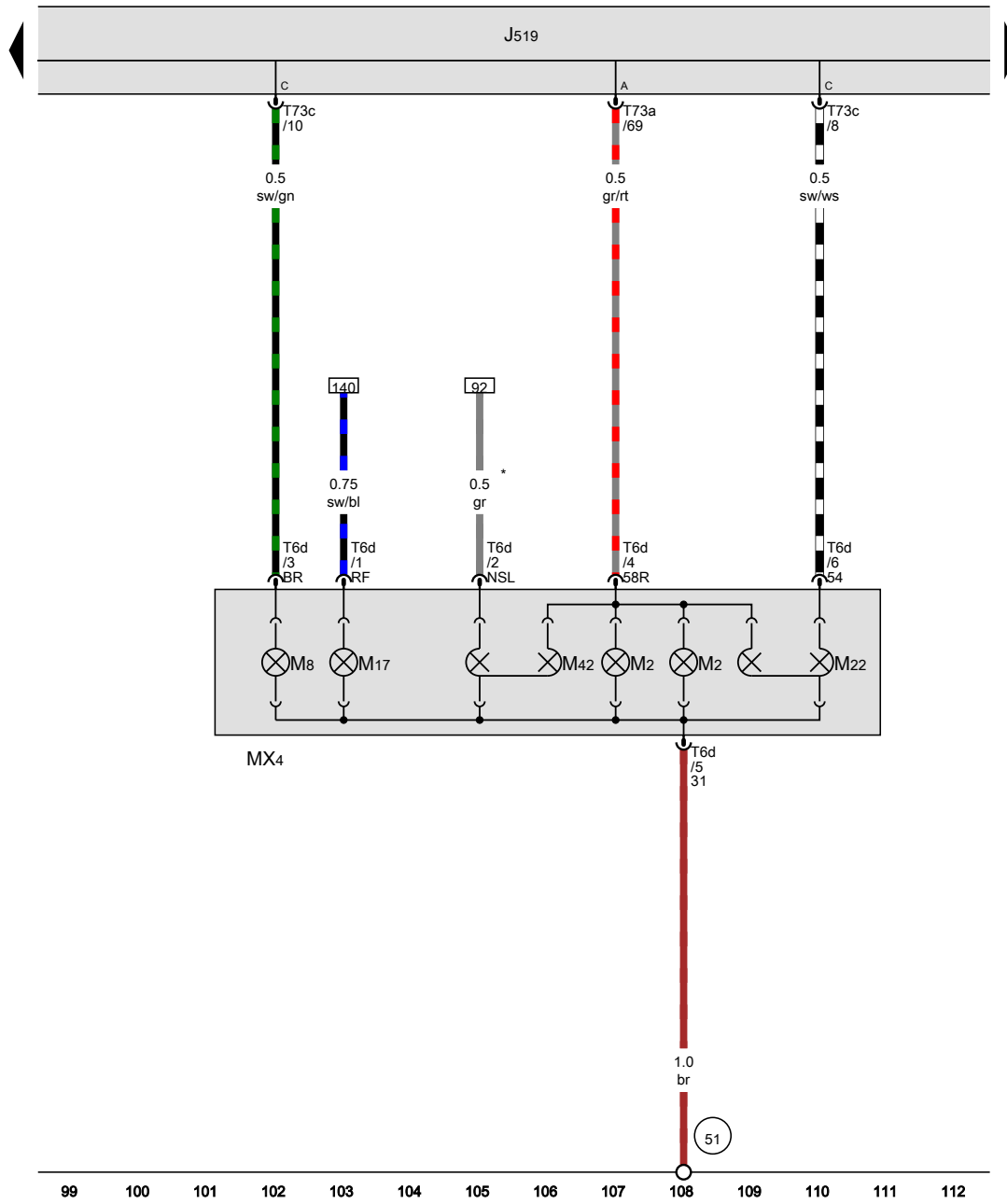
- J519 Onboard supply control unit
- MX3 Left tail light
- M4 Left tail light bulb
- M6 Rear left turn signal bulb
- M16 Left reversing light bulb
- M21 Left brake and tail light bulb
- M41 Left tail light and rear fog light bulb
- T6c 6-pin connector
- T73a 73-pin connector, black
- T73c 73-pin connector, black

- 50 Earth point, on left in luggage compartment
- 386 Earth connection 21, in main wiring harness
- * Only right-hand drive models
- *2 Only left-hand drive models



- ws = white
- sw = black
- ro = red
- rt = red
- br = brown
- gn = green
- bl = blue
- gr = grey
- li = purple
- vi = purple
- ge = yellow
- or = orange
- rs = pink

[NH0-060000216]



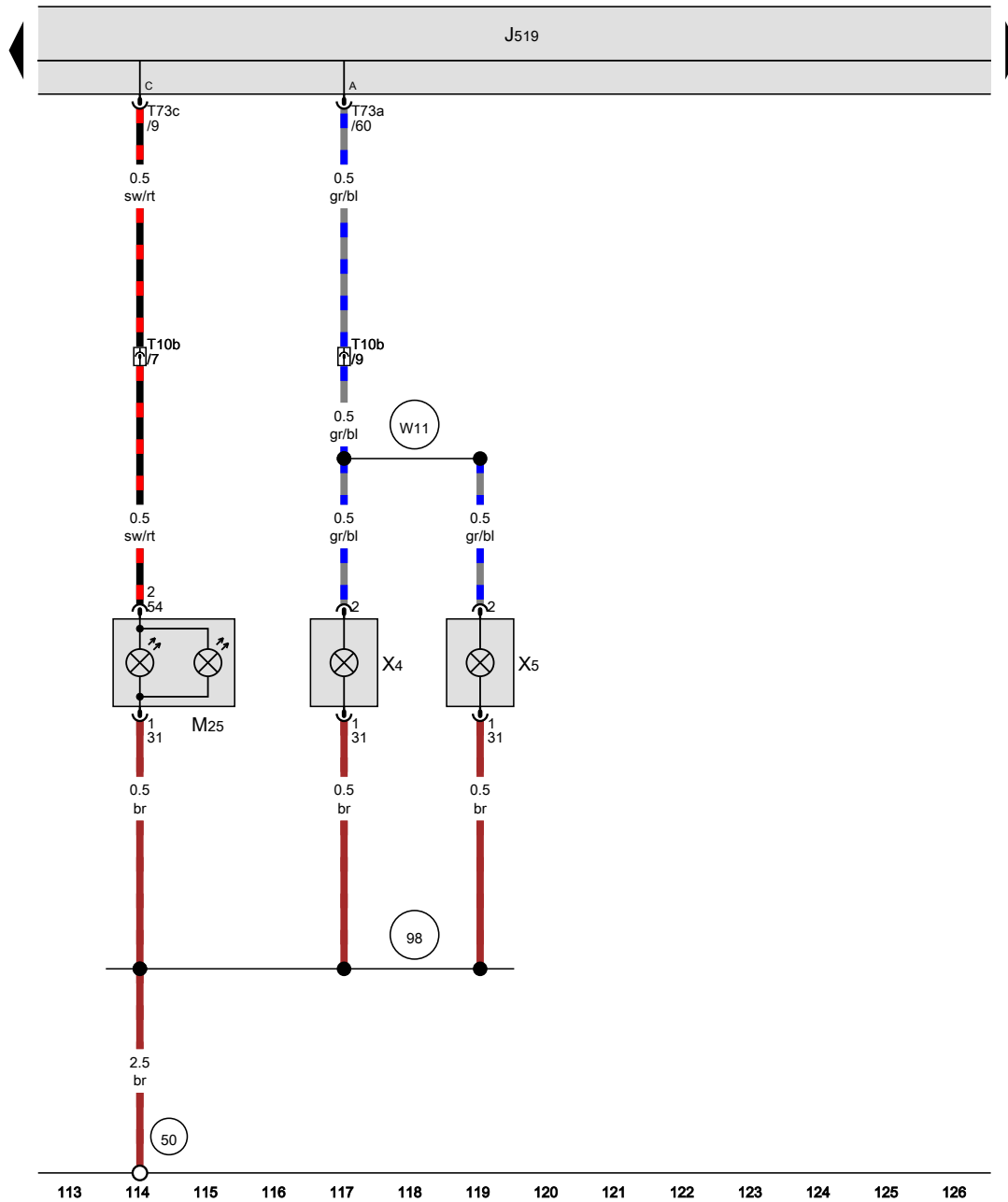
Right tail light

- J519 Onboard supply control unit
- M2 Right tail light bulb
- MX4 Right tail light
- M8 Rear right turn signal bulb
- M17 Right reversing light bulb
- M22 Right brake and tail light bulb
- M42 Right tail light and rear fog light bulb
- T6d 6-pin connector
- T73a 73-pin connector, black
- T73c 73-pin connector, black

51 Earth point, on right in luggage compartment

* Only right-hand drive models

- ws = white
- sw = black
- ro = red
- rt = red
- br = brown
- gn = green
- bl = blue
- gr = grey
- li = purple
- vi = purple
- ge = yellow
- or = orange
- rs = pink



High-level brake light bulb, Left number plate light, Right number plate light

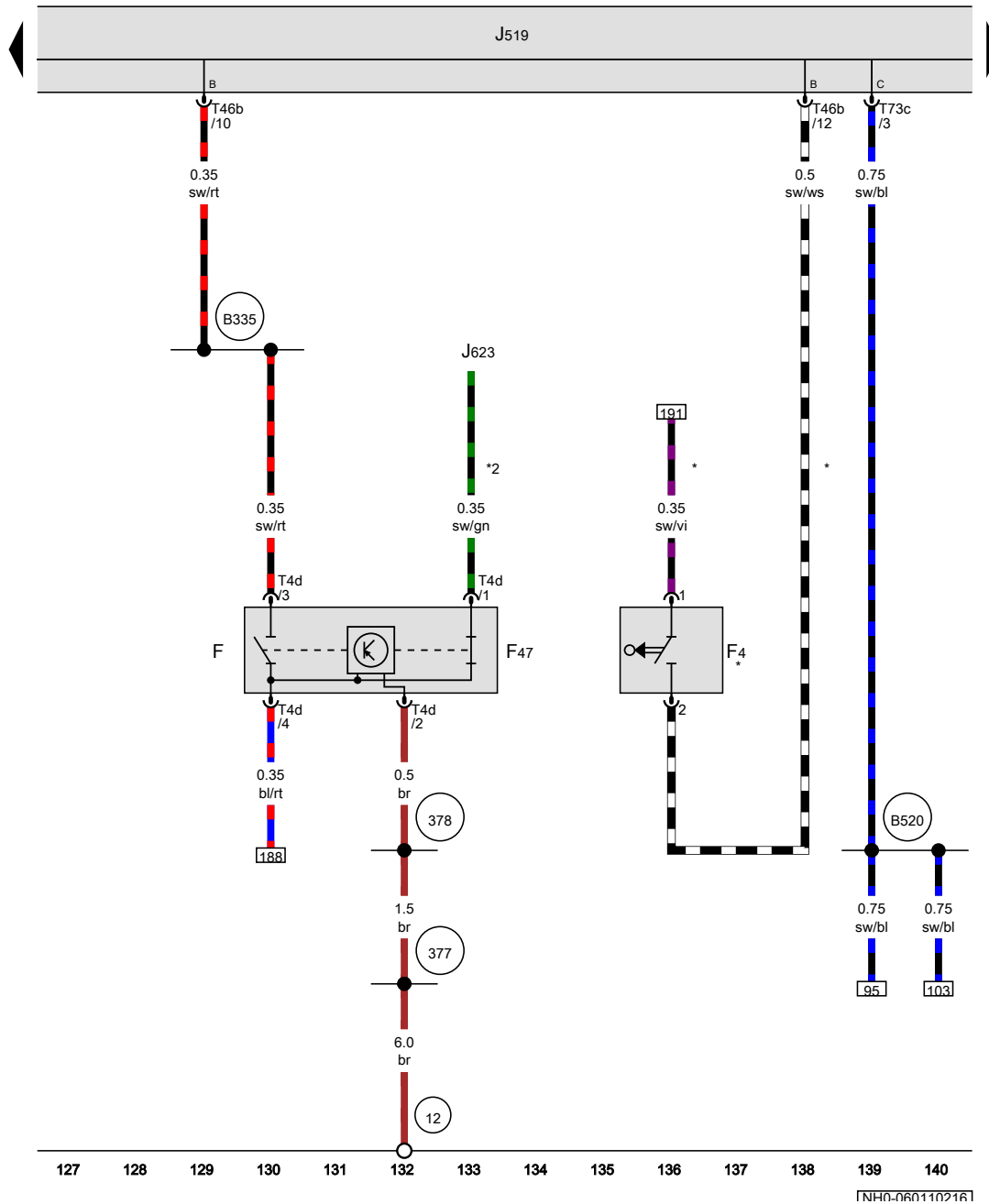
- J519 Onboard supply control unit
- M25 High-level brake light bulb
- T10b 10-pin connector
- T73a 73-pin connector, black
- T73c 73-pin connector, black
- X4 Left number plate light
- X5 Right number plate light

- (50) Earth point, on left in luggage compartment
- (98) Earth connection, in rear lid wiring harness
- (W11) Connection (58), in rear lid wiring harness

- ws = white
- sw = black
- ro = red
- rt = red
- br = brown
- gn = green
- bl = blue
- gr = grey
- li = purple
- vi = purple
- ge = yellow
- or = orange
- rs = pink

[NH0-060100216]

Reversing light switch, Brake pedal switch



- F Brake light switch
- F4 Reversing light switch
- F47 Brake pedal switch
- J519 Onboard supply control unit
- J623 Engine control unit
- T4d 4-pin connector
- T46b 46-pin connector, brown
- T73c 73-pin connector, black

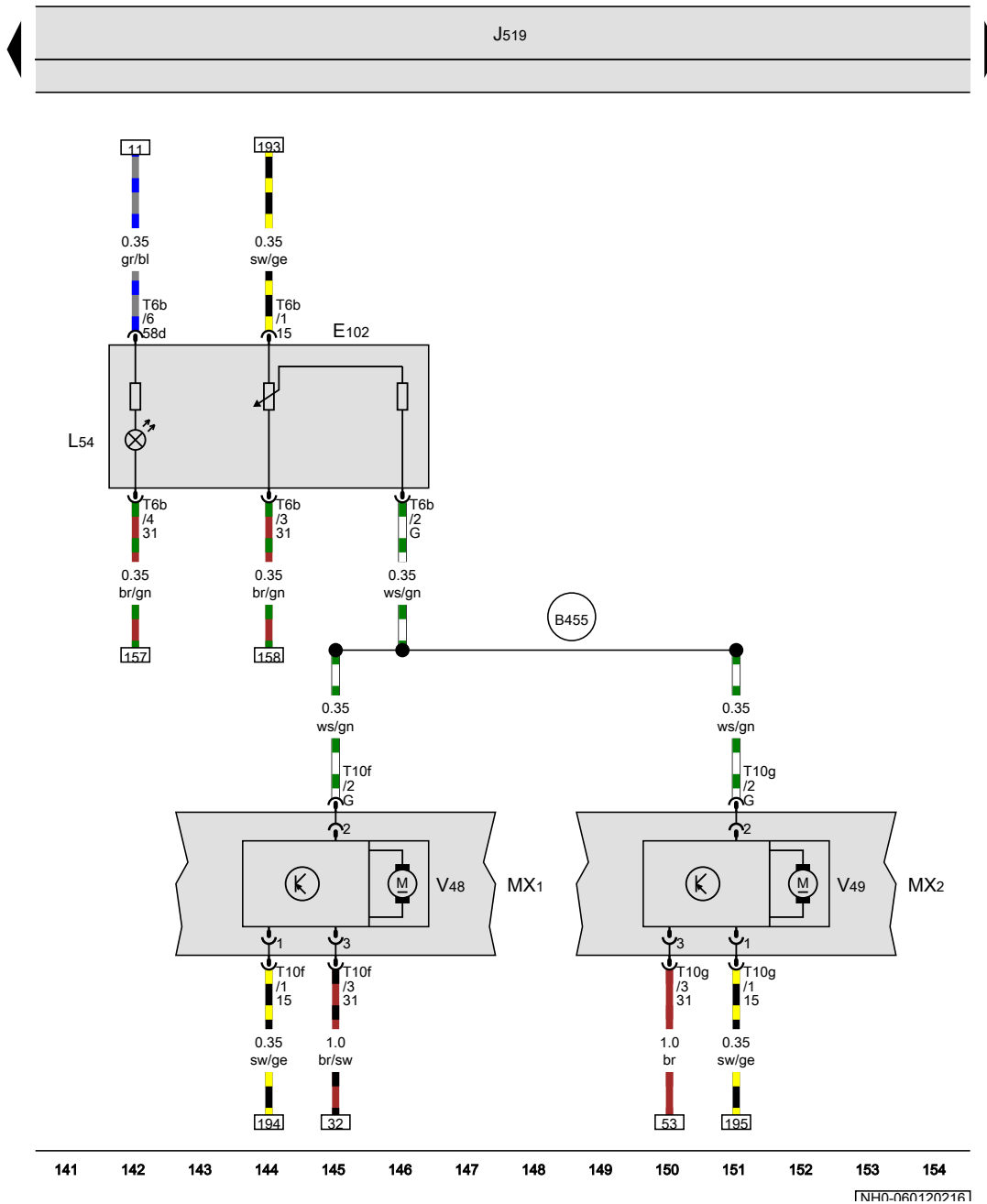
- 12 Earth point, on left in engine compartment
- 377 Earth connection 12, in main wiring harness
- 378 Earth connection 13, in main wiring harness
- B335 Connection 1 (54), in main wiring harness
- B520 Connection (RL), in main wiring harness
- * Only models with manual gearbox
- *2 see applicable current flow diagram for engine

- ws = white
- sw = black
- ro = red
- rt = red
- br = brown
- gn = green
- bl = blue
- gr = grey
- li = purple
- vi = purple
- ge = yellow
- or = orange
- rs = pink

[NH0-060110216]

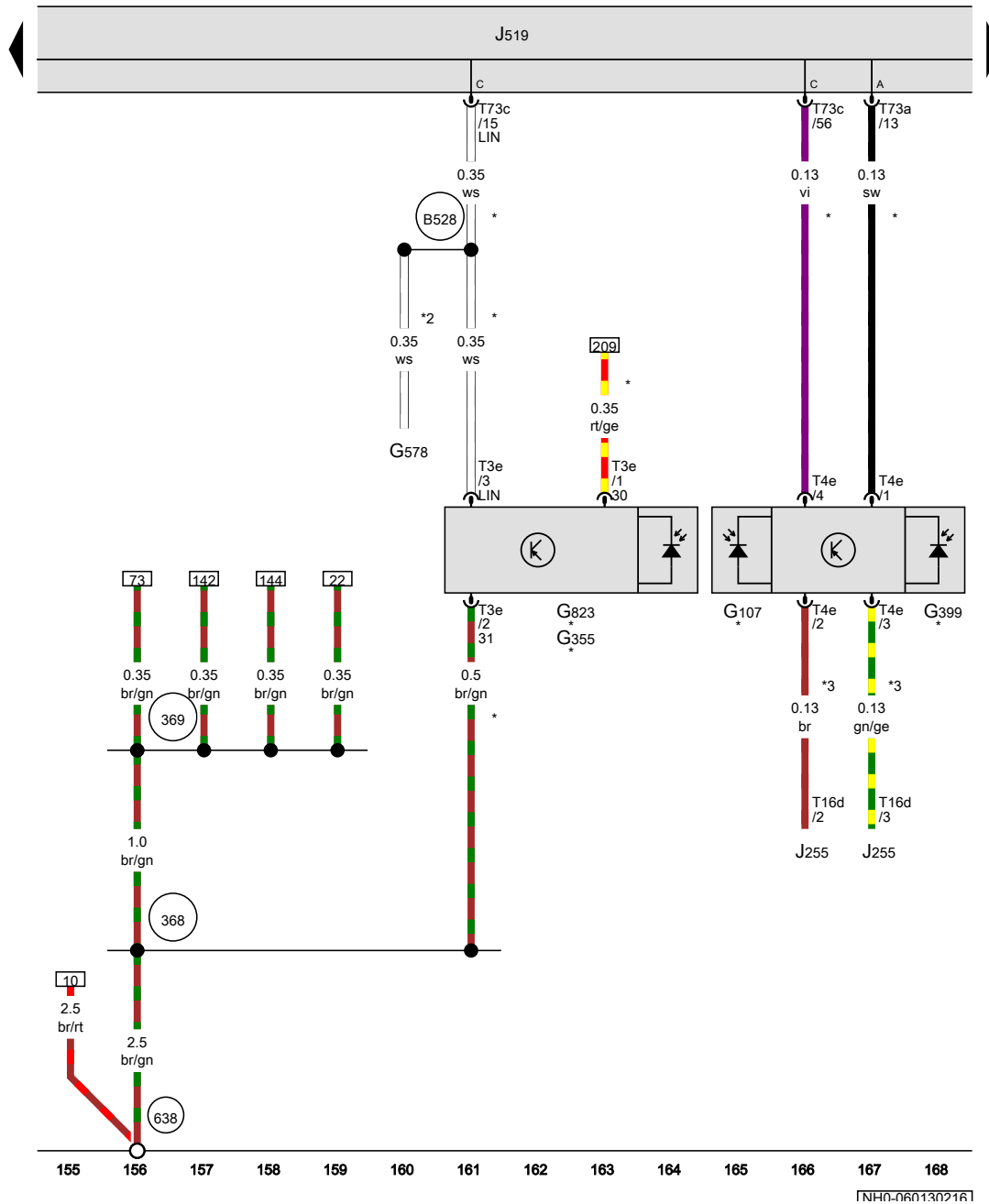
Headlight range control regulator, Left headlight range control motor, Right headlight range control motor

- E102 Headlight range control regulator
- J519 Onboard supply control unit
- L54 Headlight range control regulator illumination bulb
- MX1 Front left headlight
- MX2 Front right headlight
- T6b 6-pin connector
- T10f 10-pin connector
- T10g 10-pin connector
- V48 Left headlight range control motor
- V49 Right headlight range control motor
- B455 Connection (HRC), in main wiring harness



- ws = white
- sw = black
- ro = red
- rt = red
- br = brown
- gn = green
- bl = blue
- gr = grey
- li = purple
- vi = purple
- ge = yellow
- or = orange
- rs = pink

1NH0-060120216



Sunlight penetration photosensor, Humidity sender, Light sensor, Air humidity, rain and light sensor

- G107 Sunlight penetration photosensor
- G355 Humidity sender
- G399 Light sensor
- G578 Anti-theft alarm sensor
- G823 Air humidity, rain and light sensor
- J255 Climatronic control unit
- J519 Onboard supply control unit
- T3e 3-pin connector
- T4e 4-pin connector
- T16d 16-pin connector
- T73a 73-pin connector, black
- T73c 73-pin connector, black

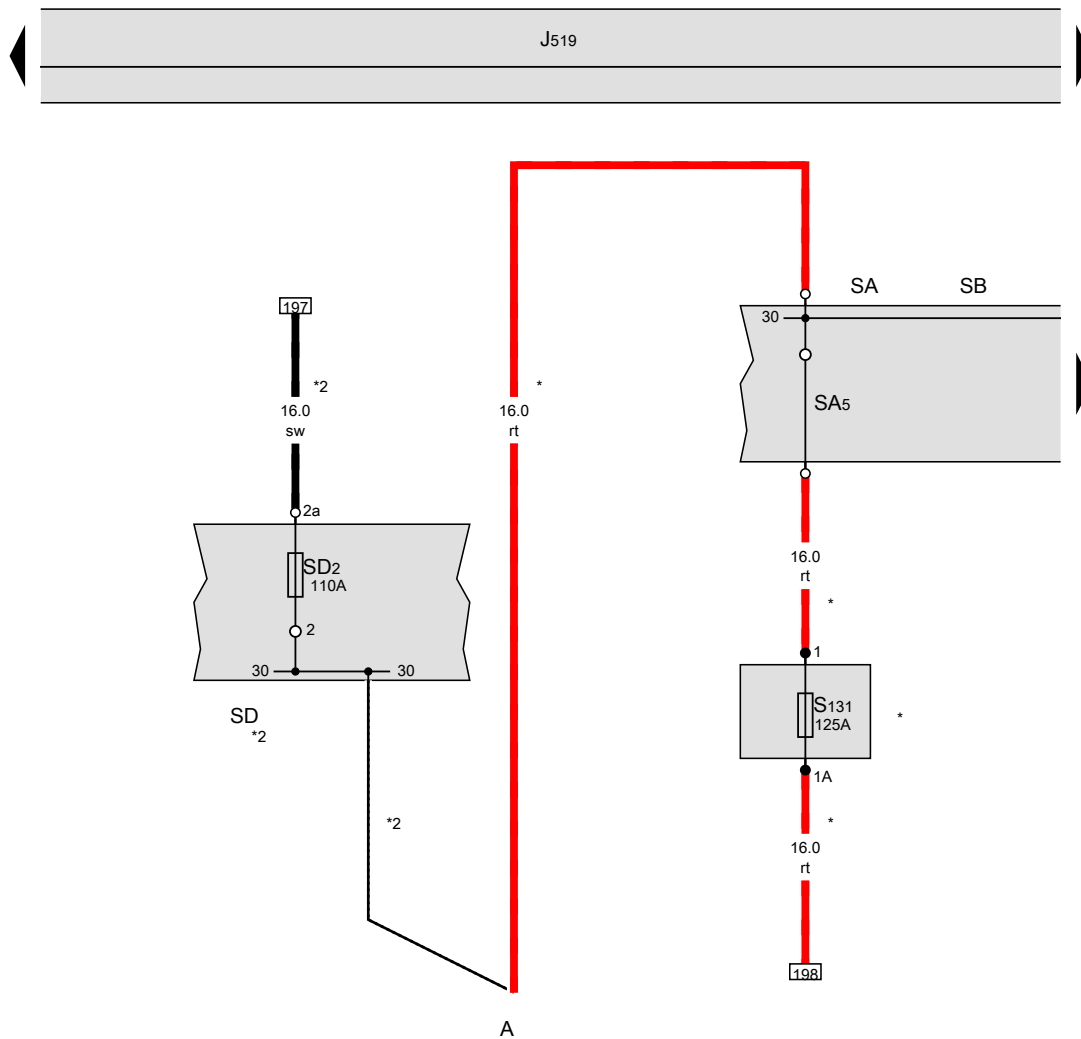
- 368 Earth connection 3, in main wiring harness
- 369 Earth connection 4, in main wiring harness
- 638 Earth point, on right A-pillar
- B528 Connection 1 (LIN bus) in main wiring harness

- * According to equipment
- *2 For models with anti-theft alarm system
- *3 Only models with Climatronic

- ws = white
- sw = black
- ro = red
- rt = red
- br = brown
- gn = green
- bl = blue
- gr = grey
- li = purple
- vi = purple
- ge = yellow
- or = orange
- rs = pink

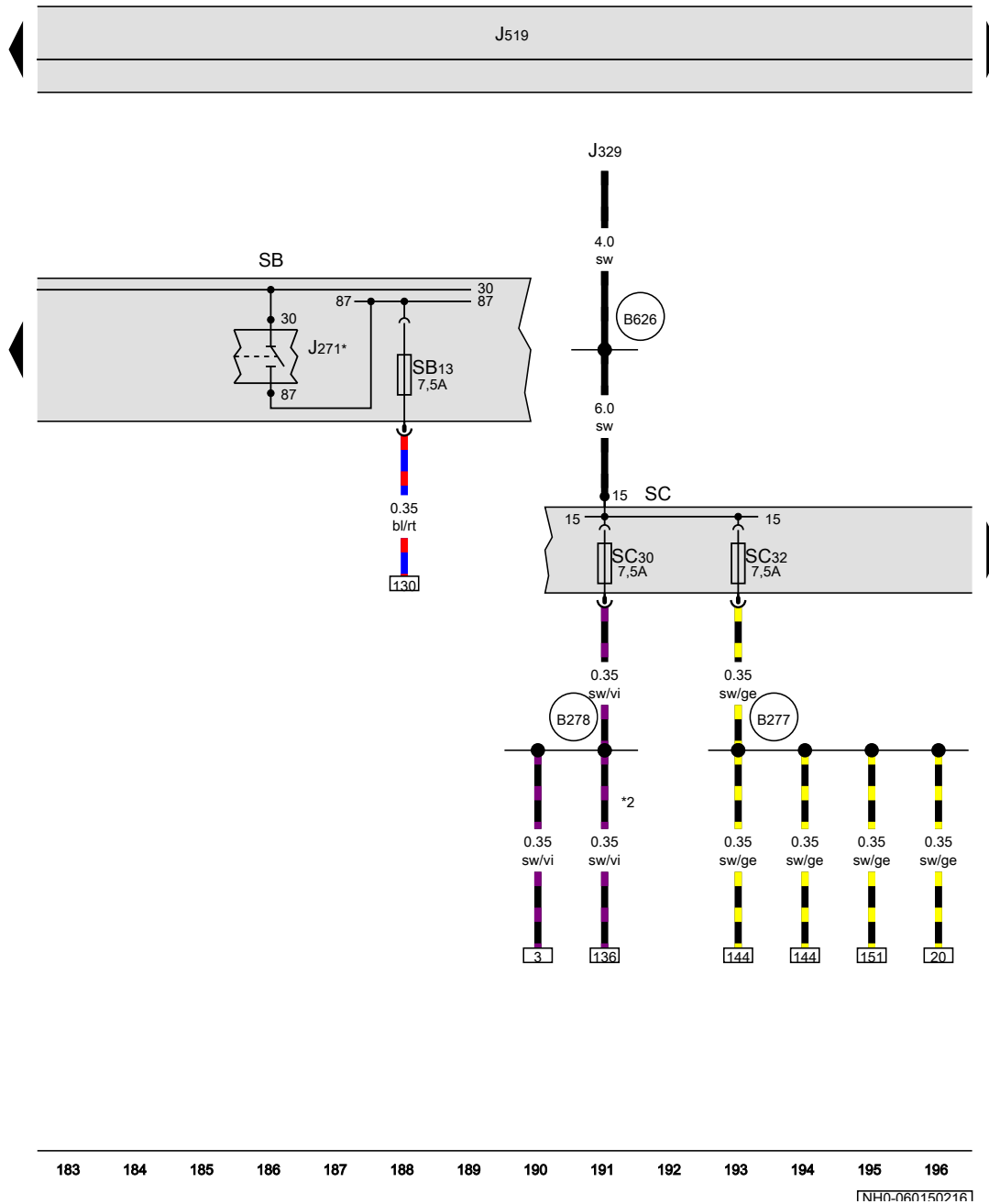
[NHN-060130216]

Battery, Fuse holder A, Fuse holder B, Fuse holder D



- A Battery
- J519 Onboard supply control unit
- SD2 Fuse 2 on fuse holder D
- SA5 Fuse 5 in fuse holder A
- S131 Fuse 1, in main wiring harness
- SA Fuse holder A
- SB Fuse holder B
- SD Fuse holder D
- * Only models with battery in engine compartment
- *2 Only models with battery in luggage compartment

- ws = white
- sw = black
- ro = red
- rt = red
- br = brown
- gn = green
- bl = blue
- gr = grey
- li = purple
- vi = purple
- ge = yellow
- or = orange
- rs = pink



Fuse holder B, Fuse holder C

- J271 Main relay
- J329 Terminal 15 voltage supply relay
- J519 Onboard supply control unit
- SB Fuse holder B
- SB13 Fuse 13 on fuse holder B
- SC Fuse holder C
- SC30 Fuse 30 on fuse holder C
- SC32 Fuse 32 on fuse holder C

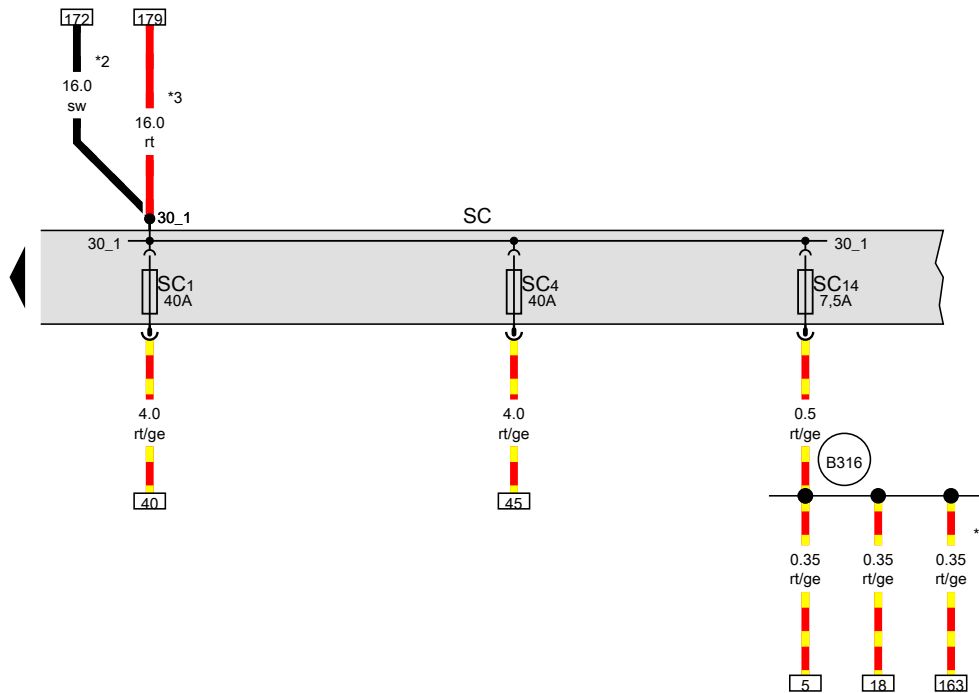
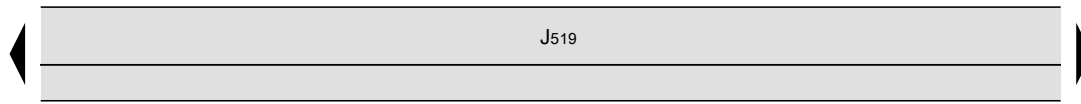
- B277 Positive connection 1 (15a) in main wiring harness
- B278 Positive connection 2 (15a) in main wiring harness
- B626 Positive connection 2 (15), in main wiring harness
- * see applicable current flow diagram for engine
- *2 Only models with manual gearbox

Fuse holder C

- J519 Onboard supply control unit
- SC Fuse holder C
- SC1 Fuse 1 on fuse holder C
- SC4 Fuse 4 on fuse holder C
- SC14 Fuse 14 on fuse holder C

B316 Positive connection 2 (30a) in main wiring harness

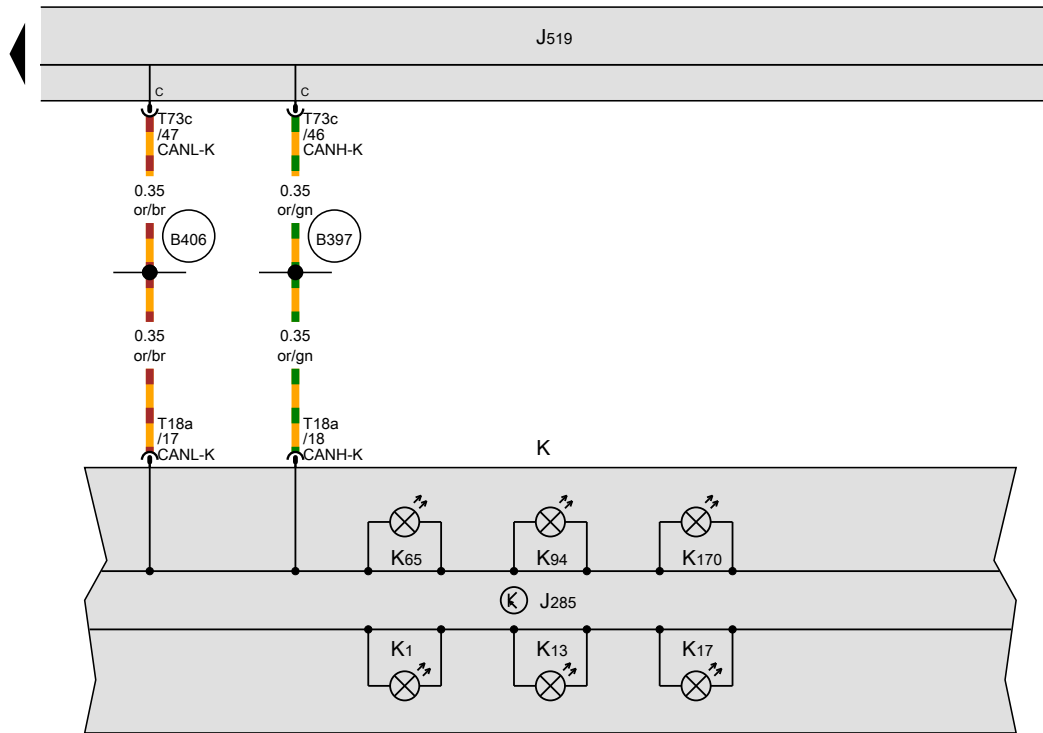
- * According to equipment
- *2 Only models with battery in luggage compartment
- *3 Only models with battery in engine compartment



- ws = white
- sw = black
- ro = red
- rt = red
- br = brown
- gn = green
- bl = blue
- gr = grey
- li = purple
- vi = purple
- ge = yellow
- or = orange
- rs = pink

197 198 199 200 201 202 203 204 205 206 207 208 209 210

[NH0-060160216]



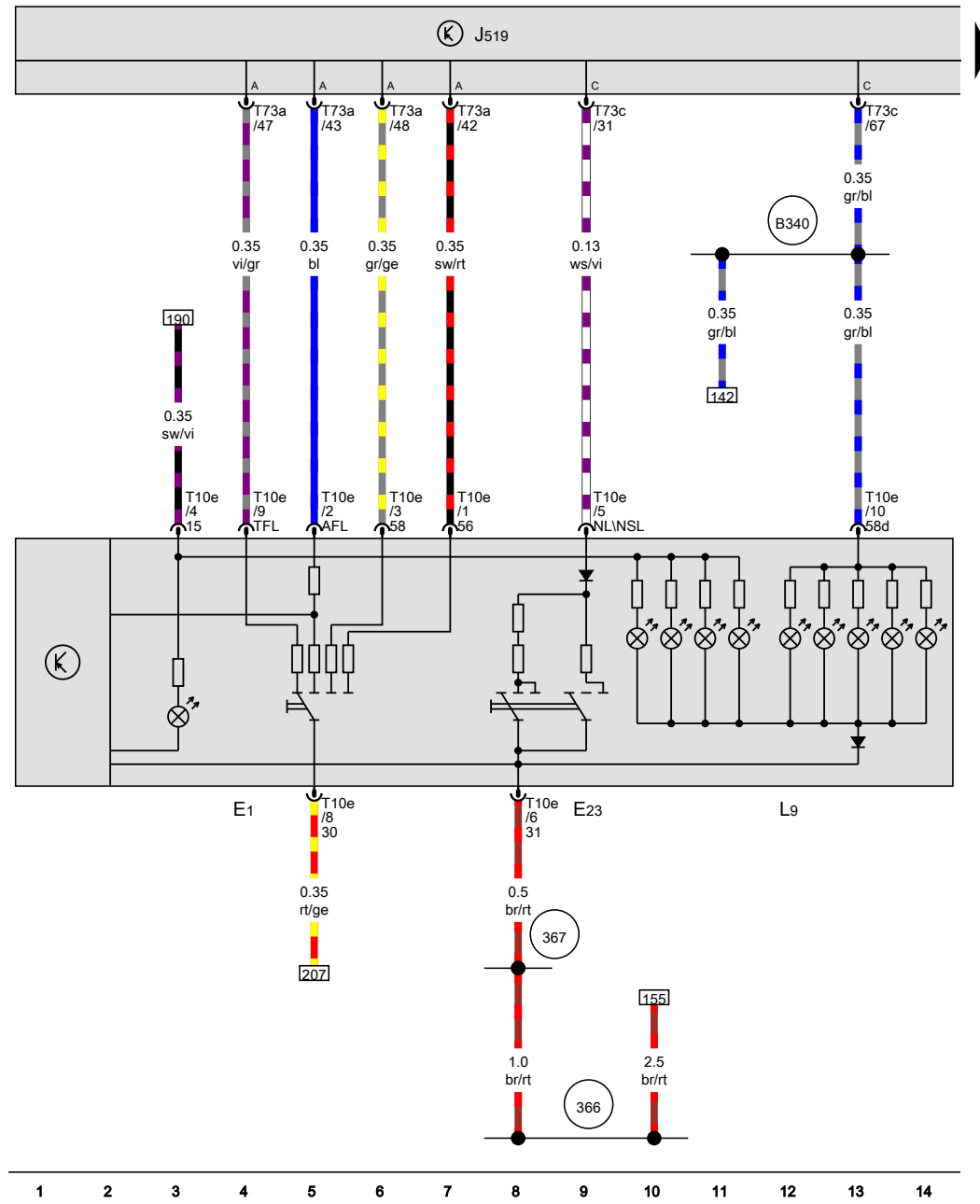
Dash panel insert

- J285 Control unit in dash panel insert
- J519 Onboard supply control unit
- K Dash panel insert
- K1 Main beam warning lamp
- K13 Rear fog light warning lamp
- K17 Fog light warning lamp
- K65 Left turn signal warning lamp
- K94 Right turn signal warning lamp
- K170 Bulb failure warning lamp
- T18a 18-pin connector
- T73c 73-pin connector, black
- B397** Connection 1 (convenience CAN bus, high), in main wiring harness
- B406** Connection 1 (convenience CAN bus, low), in main wiring harness

- ws = white
- sw = black
- ro = red
- rt = red
- br = brown
- gn = green
- bl = blue
- gr = grey
- li = purple
- vi = purple
- ge = yellow
- or = orange
- rs = pink

Exterior lighting , (K8R),(L0R)

From May 2015



Light switch

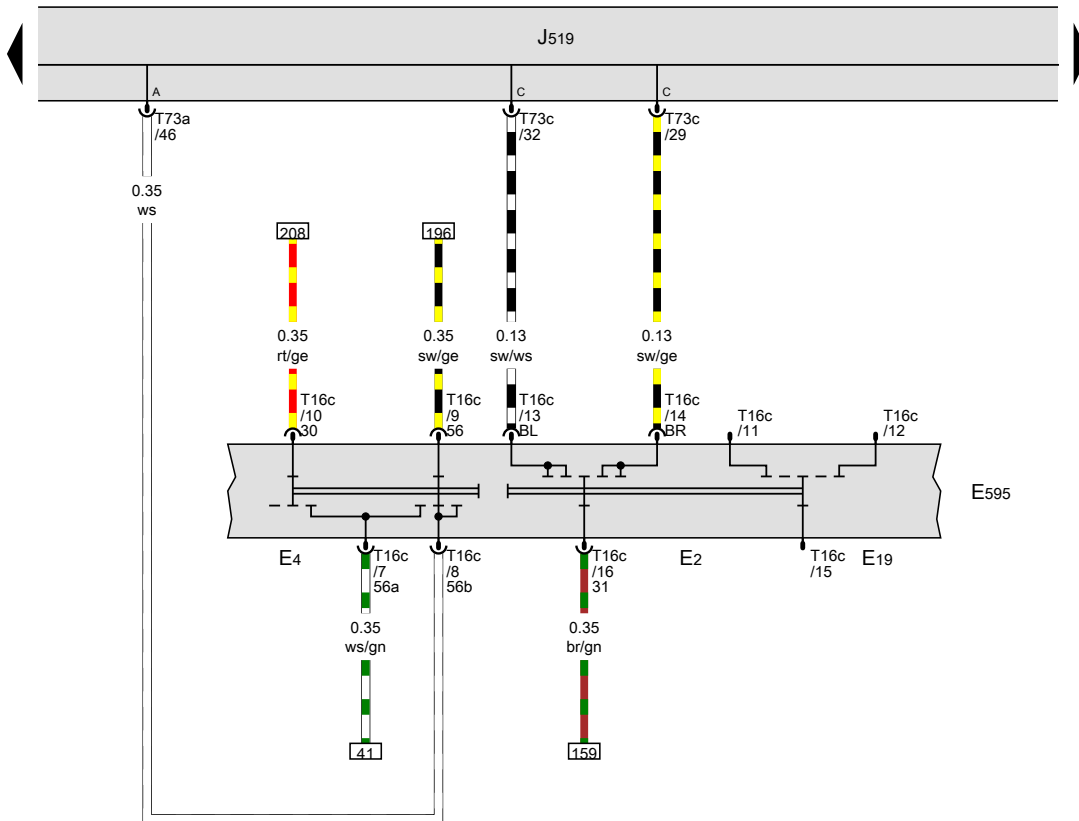
- E1 Light switch
- E23 Front and rear fog light switch
- J519 Onboard supply control unit
- L9 Light switch illumination bulb
- T10e 10-pin connector
- T73a 73-pin connector, black
- T73c 73-pin connector, black
- 366 Earth connection 1, in main wiring harness
- 367 Earth connection 2, in main wiring harness
- B340 Connection 1 (58d), in main wiring harness

- ws = white
- sw = black
- ro = red
- rt = red
- br = brown
- gn = green
- bl = blue
- gr = grey
- li = purple
- vi = purple
- ge = yellow
- or = orange
- rs = pink

[NH0-061020216]

Turn signal switch, Headlight dipper and flasher switch, Parking light switch, Steering column combination switch

- E2 Turn signal switch
- E4 Headlight dipper and flasher switch
- E19 Parking light switch
- E595 Steering column combination switch
- J519 Onboard supply control unit
- T16c 16-pin connector
- T73a 73-pin connector, black
- T73c 73-pin connector, black

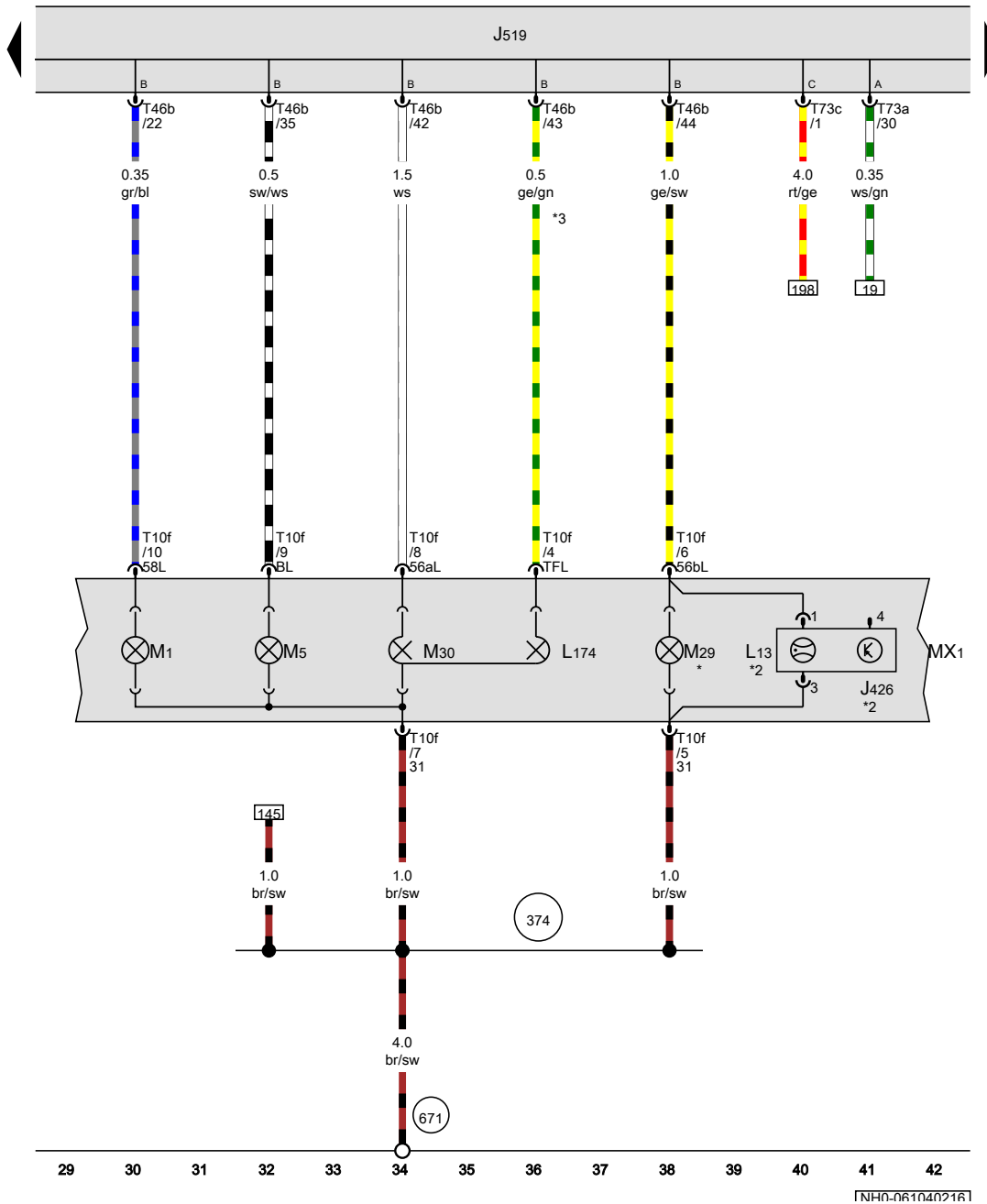


- ws = white
- sw = black
- ro = red
- rt = red
- br = brown
- gn = green
- bl = blue
- gr = grey
- li = purple
- vi = purple
- ge = yellow
- or = orange
- rs = pink

15 16 17 18 19 20 21 22 23 24 25 26 27 28

[NH0-061030216]

Front left headlight



- J426 Left headlight starter for gas discharge light
- J519 Onboard supply control unit
- L13 Left gas discharge (xenon) bulb
- L174 Left daytime running light bulb
- MX1 Front left headlight
- M1 Left side light bulb
- M5 Front left turn signal bulb
- M29 Left headlight dipped beam bulb
- M30 Left headlight main beam bulb
- T10f 10-pin connector
- T46b 46-pin connector, brown
- T73a 73-pin connector, black
- T73c 73-pin connector, black

- 374 Earth connection 9, in main wiring harness
- 671 Earth point 1, on front of left longitudinal member
- * Only models with halogen headlights
- *2 Only models with xenon headlights
- *3 Only models with daytime running lights

- ws = white
- sw = black
- ro = red
- rt = red
- br = brown
- gn = green
- bl = blue
- gr = grey
- li = purple
- vi = purple
- ge = yellow
- or = orange
- rs = pink

1NH0-061040216

Front right headlight

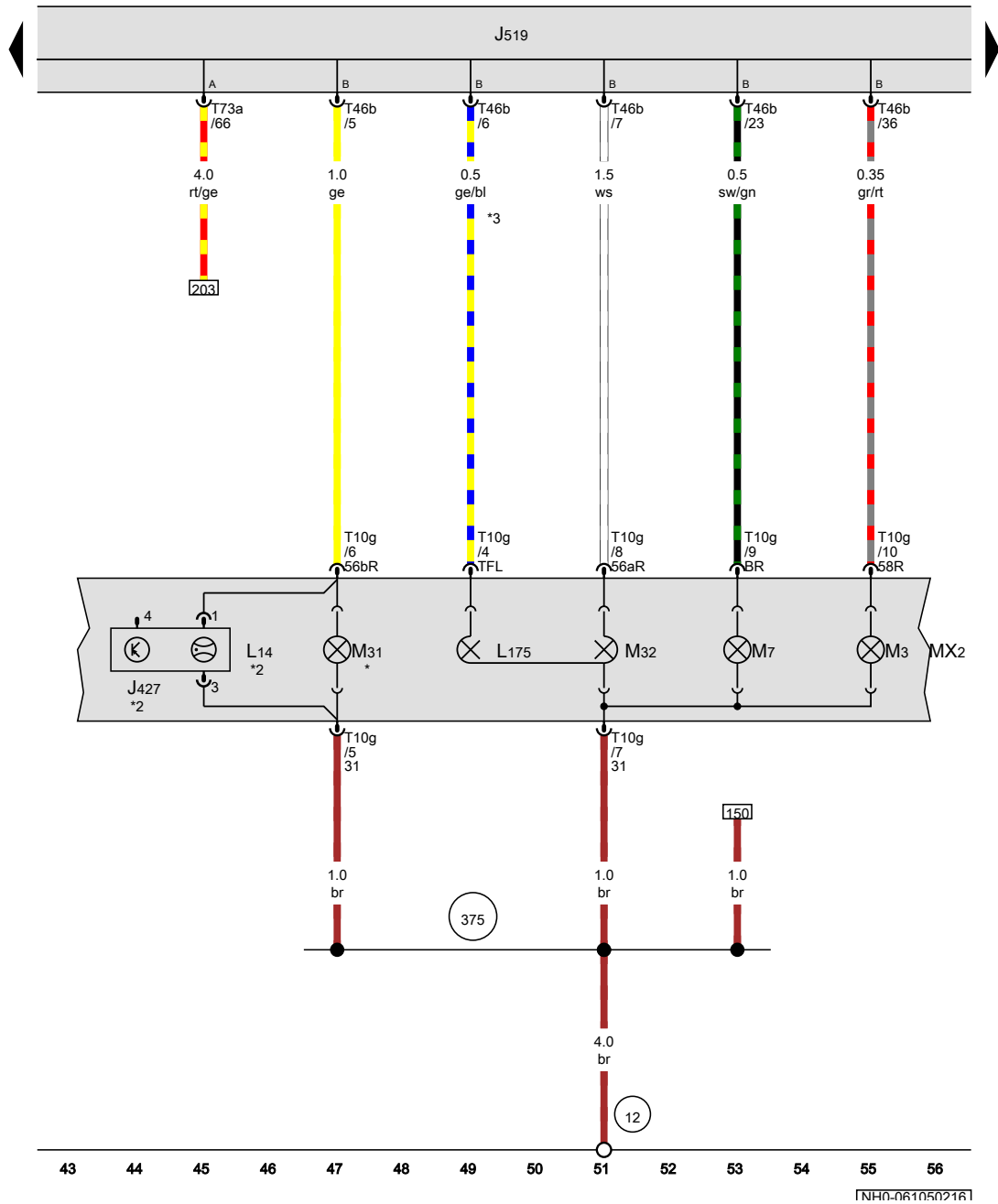
- J427 Right headlight starter for gas discharge light
- J519 Onboard supply control unit
- L14 Right gas discharge (xenon) bulb
- L175 Right daytime running light bulb
- MX2 Front right headlight
- M3 Right side light bulb
- M7 Front right turn signal bulb
- M31 Right headlight dipped beam bulb
- M32 Right headlight main beam bulb
- T10g 10-pin connector
- T46b 46-pin connector, brown
- T73a 73-pin connector, black

12 Earth point, on left in engine compartment

375 Earth connection 10, in main wiring harness

- * Only models with halogen headlights
- *2 Only models with xenon headlights
- *3 Only models with daytime running lights

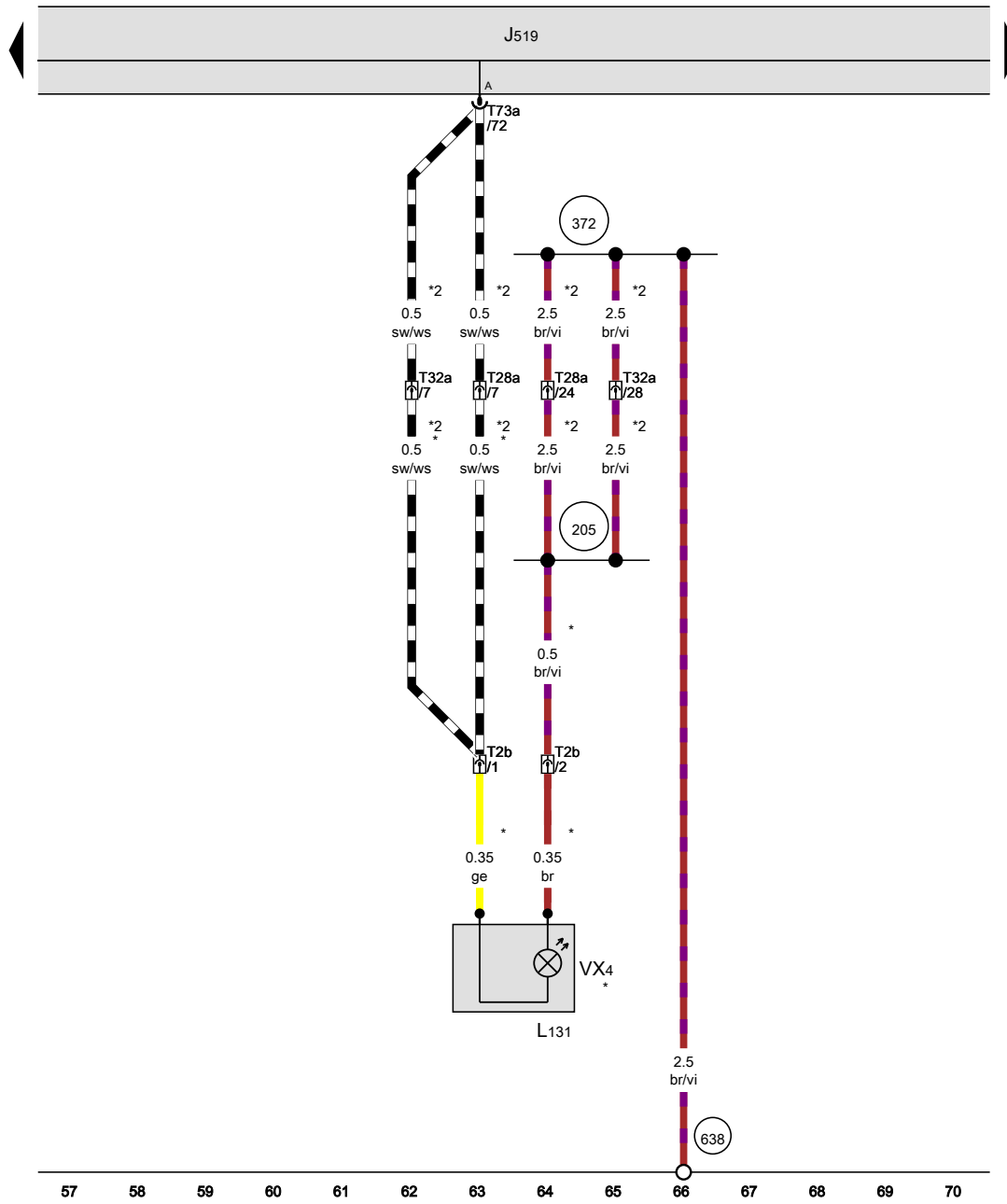
- ws = white
- sw = black
- ro = red
- rt = red
- br = brown
- gn = green
- bl = blue
- gr = grey
- li = purple
- vi = purple
- ge = yellow
- or = orange
- rs = pink



[NH0-061050216]

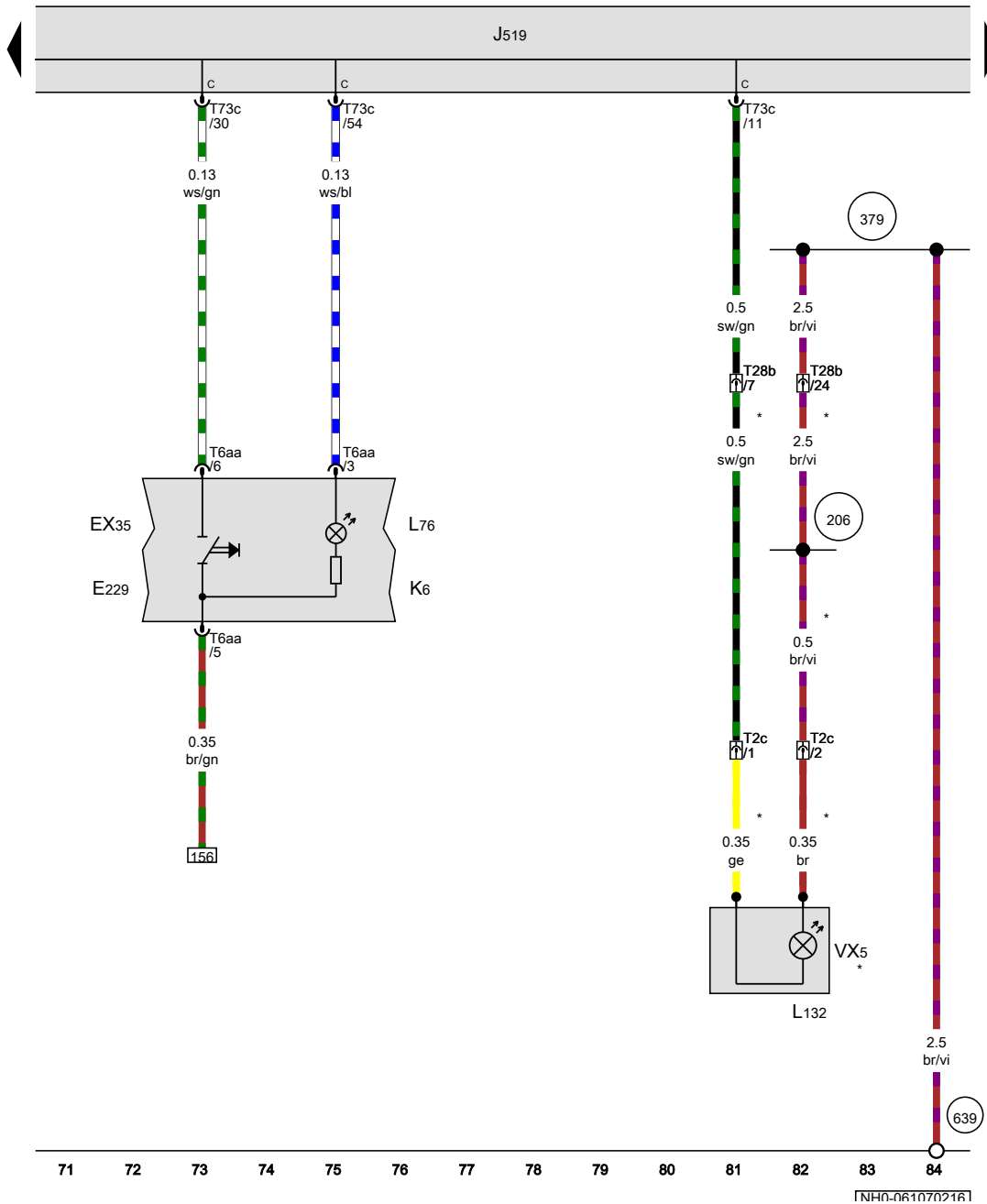
Driver side exterior mirror

- J519 Onboard supply control unit
- L131 Driver side turn signal repeater bulb
- T2b 2-pin connector
- T28a 28-pin connector, on right A-pillar
- T32a 32-pin connector, on right A-pillar
- T73a 73-pin connector, black
- VX4 Driver side exterior mirror
- 205 Earth connection, in driver door wiring harness
- 372 Earth connection 7, in main wiring harness
- 638 Earth point, on right A-pillar
- * Only models with no electrically adjustable exterior mirrors
- *2 According to equipment



- ws = white
- sw = black
- ro = red
- rt = red
- br = brown
- gn = green
- bl = blue
- gr = grey
- li = purple
- vi = purple
- ge = yellow
- or = orange
- rs = pink

1NH0-061060216



Centre switch module 2 in dash panel, Hazard warning lights button, Front passenger side exterior mirror

- EX35 Centre switch module 2 in dash panel
- E229 Hazard warning lights button
- J519 Onboard supply control unit
- K6 Indicator lamp for hazard warning light
- L76 Button illumination bulb
- L132 Front passenger side turn signal repeater bulb
- T2c 2-pin connector
- T6aa 6-pin connector
- T28b 28-pin connector, on left A-pillar
- T73c 73-pin connector, black
- VX5 Front passenger side exterior mirror
- 206 Earth connection, in front passenger door wiring harness
- 379 Earth connection 14, in main wiring harness
- 639 Earth point, left A-pillar
- * Only models with no electrically adjustable exterior mirrors

- ws = white
- sw = black
- ro = red
- rt = red
- br = brown
- gn = green
- bl = blue
- gr = grey
- li = purple
- vi = purple
- ge = yellow
- or = orange
- rs = pink

[NH0-061070216]

Left tail light

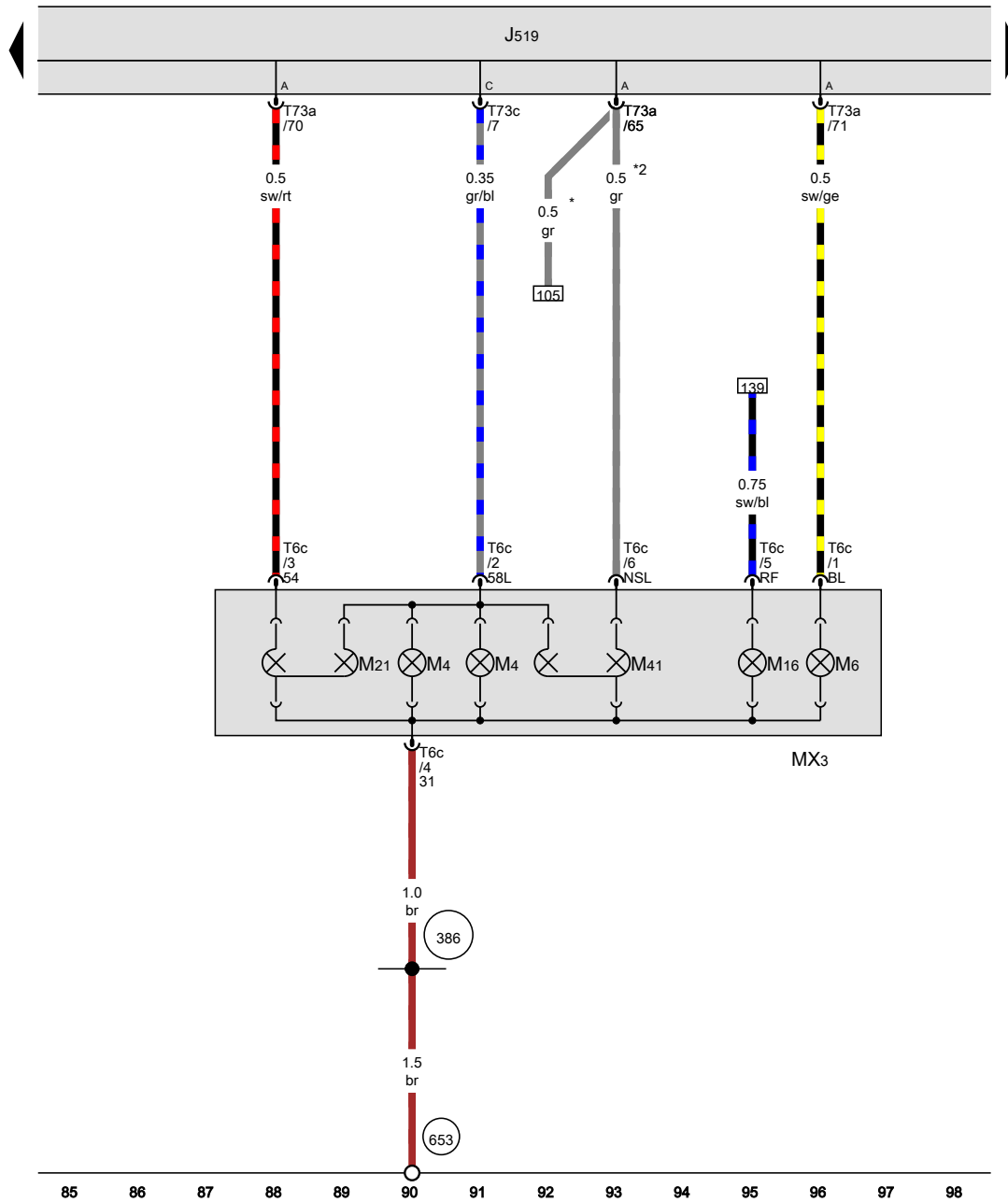
- J519 Onboard supply control unit
- MX3 Left tail light
- M4 Left tail light bulb
- M6 Rear left turn signal bulb
- M16 Left reversing light bulb
- M21 Left brake and tail light bulb
- M41 Left tail light and rear fog light bulb
- T6c 6-pin connector
- T73a 73-pin connector, black
- T73c 73-pin connector, black

386 Earth connection 21, in main wiring harness

653 Earth point, on left D-pillar

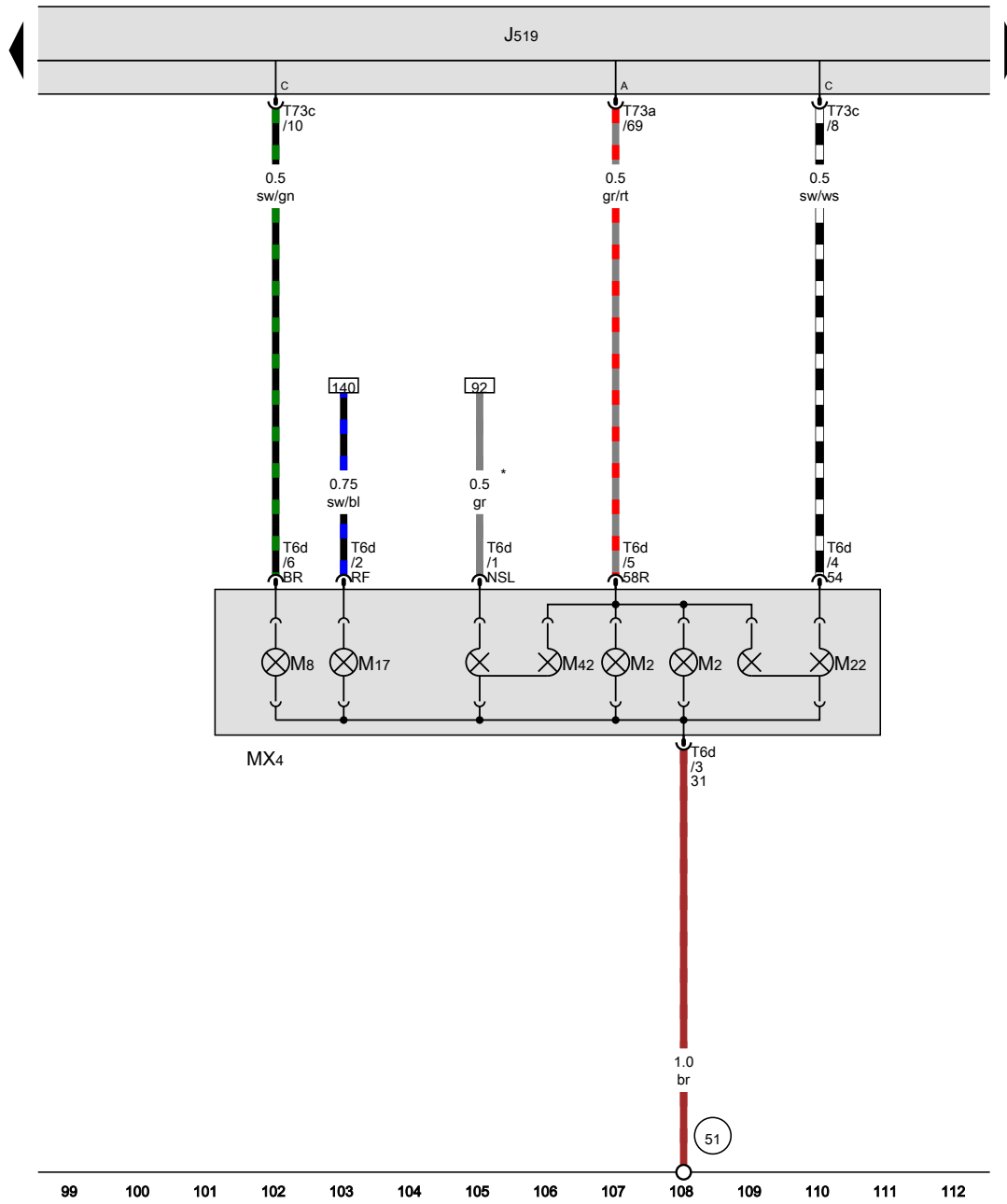
* Only right-hand drive models

*2 Only left-hand drive models



- ws = white
- sw = black
- ro = red
- rt = red
- br = brown
- gn = green
- bl = blue
- gr = grey
- li = purple
- vi = purple
- ge = yellow
- or = orange
- rs = pink

[NH0-0610R0216]



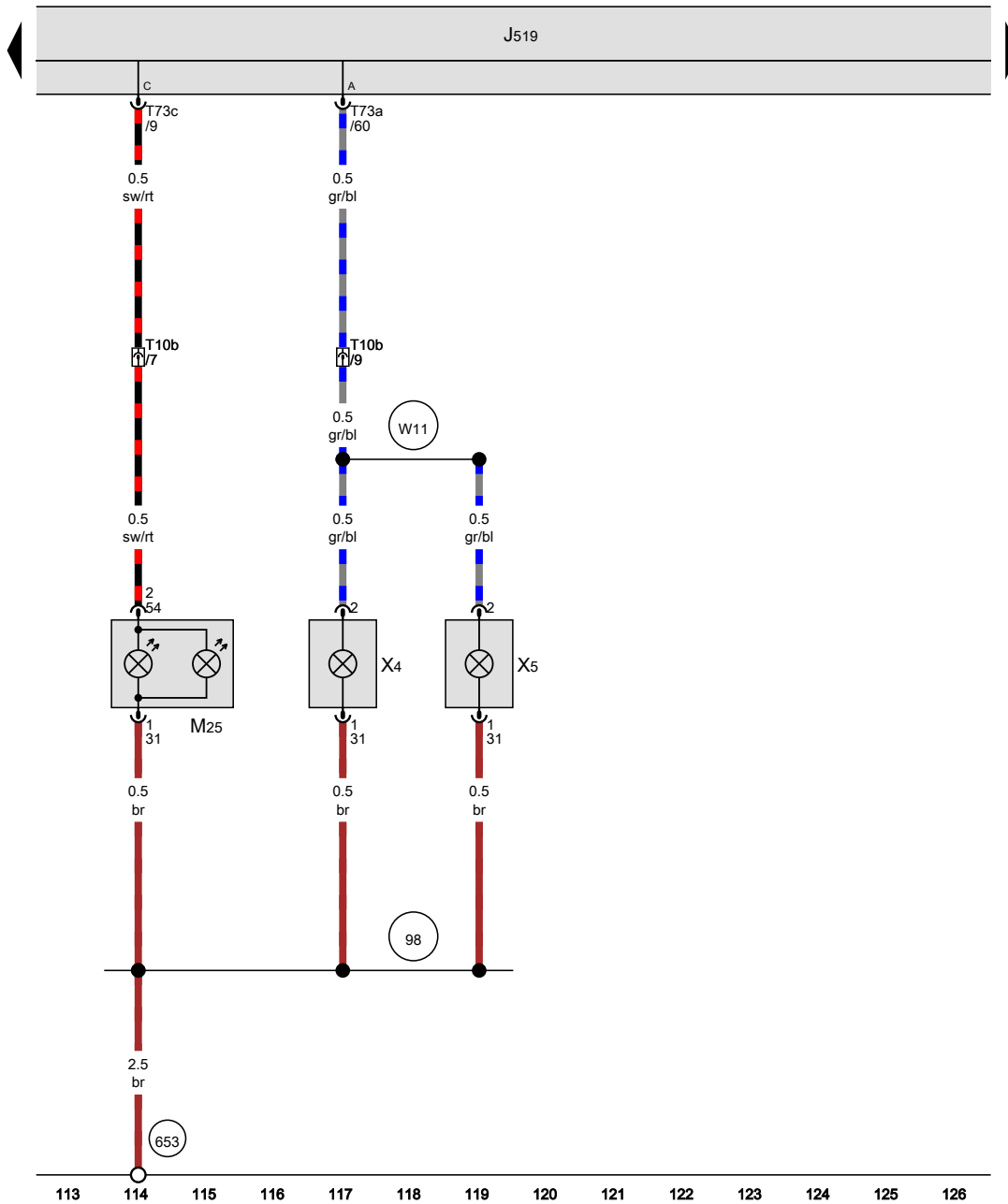
Right tail light

- J519 Onboard supply control unit
- M2 Right tail light bulb
- MX4 Right tail light
- M8 Rear right turn signal bulb
- M17 Right reversing light bulb
- M22 Right brake and tail light bulb
- M42 Right tail light and rear fog light bulb
- T6d 6-pin connector
- T73a 73-pin connector, black
- T73c 73-pin connector, black

51 Earth point, on right in luggage compartment

* Only right-hand drive models

- ws = white
- sw = black
- ro = red
- rt = red
- br = brown
- gn = green
- bl = blue
- gr = grey
- li = purple
- vi = purple
- ge = yellow
- or = orange
- rs = pink



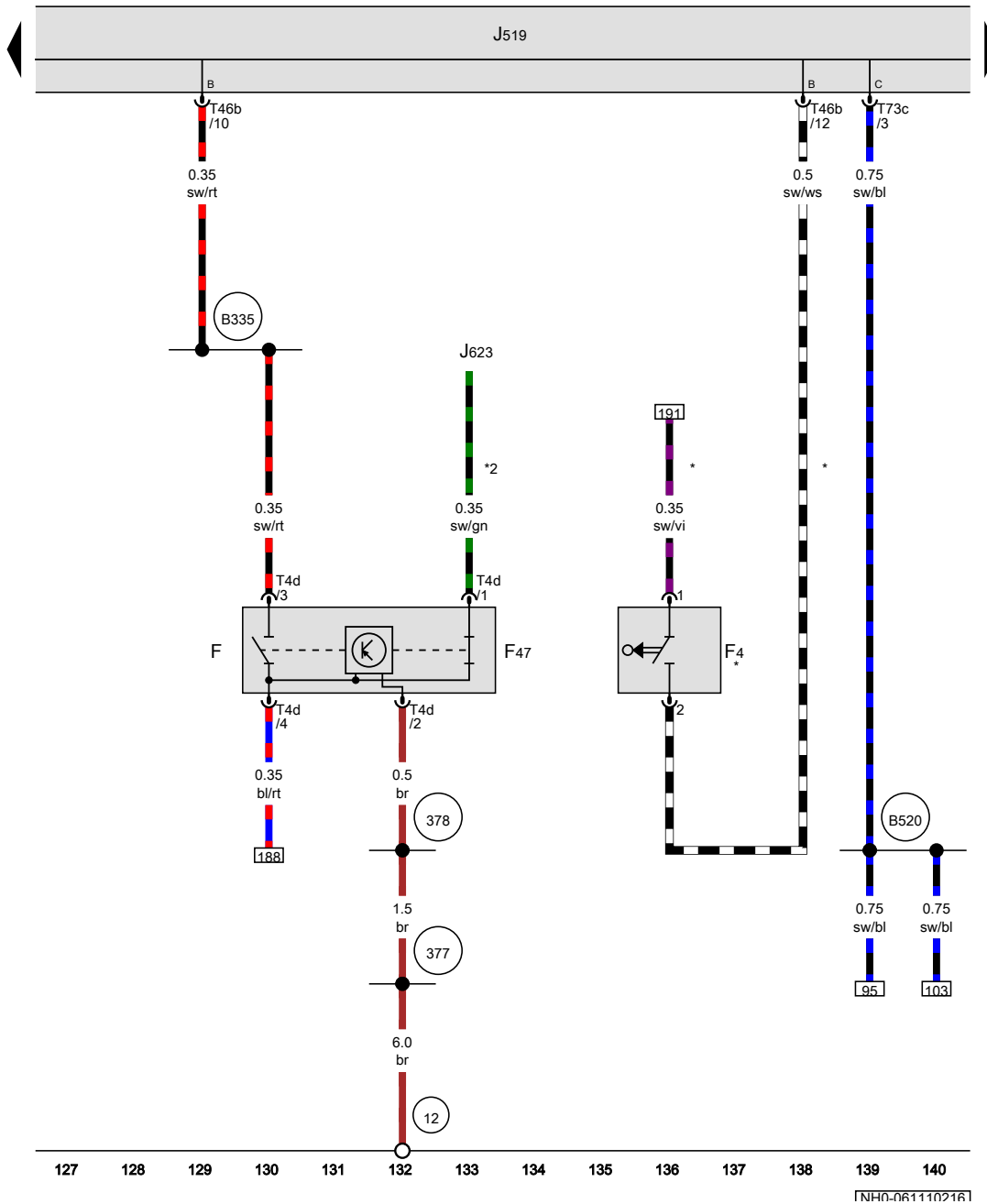
High-level brake light bulb, Left number plate light, Right number plate light

- J519 Onboard supply control unit
- M25 High-level brake light bulb
- T10b 10-pin connector
- T73a 73-pin connector, black
- T73c 73-pin connector, black
- X4 Left number plate light
- X5 Right number plate light
- 98 Earth connection, in rear lid wiring harness
- 653 Earth point, on left D-pillar
- W11 Connection (58), in rear lid wiring harness

- ws = white
- sw = black
- ro = red
- rt = red
- br = brown
- gn = green
- bl = blue
- gr = grey
- li = purple
- vi = purple
- ge = yellow
- or = orange
- rs = pink

NH0-0611002161

Reversing light switch, Brake pedal switch

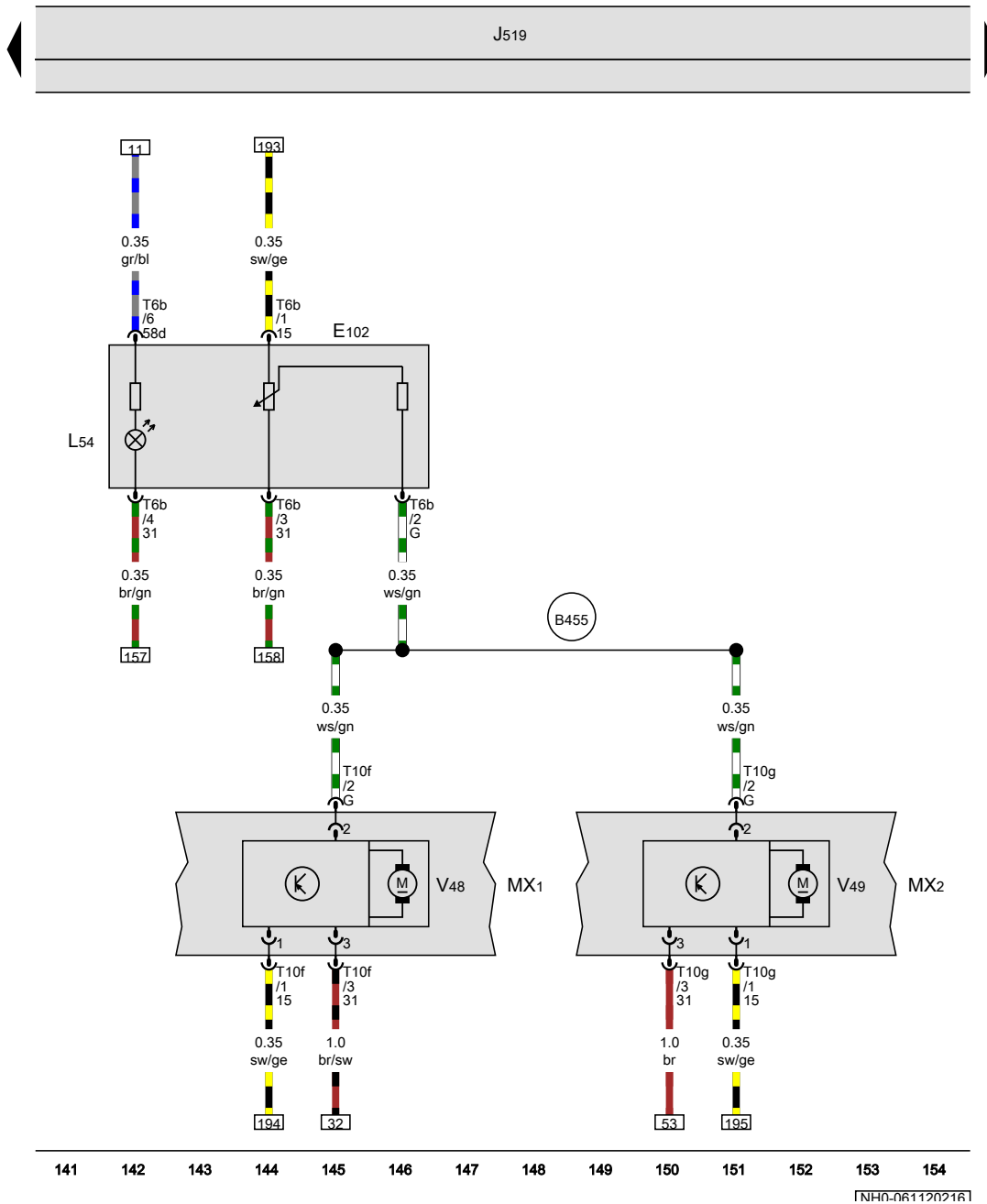


- F Brake light switch
 - F4 Reversing light switch
 - F47 Brake pedal switch
 - J519 Onboard supply control unit
 - J623 Engine control unit
 - T4d 4-pin connector
 - T46b 46-pin connector, brown
 - T73c 73-pin connector, black
- (12) Earth point, on left in engine compartment
 - (377) Earth connection 12, in main wiring harness
 - (378) Earth connection 13, in main wiring harness
 - (B335) Connection 1 (54), in main wiring harness
 - (B520) Connection (RL), in main wiring harness
- * Only models with manual gearbox
 *2 see applicable current flow diagram for engine

- ws = white
- sw = black
- ro = red
- rt = red
- br = brown
- gn = green
- bl = blue
- gr = grey
- li = purple
- vi = purple
- ge = yellow
- or = orange
- rs = pink

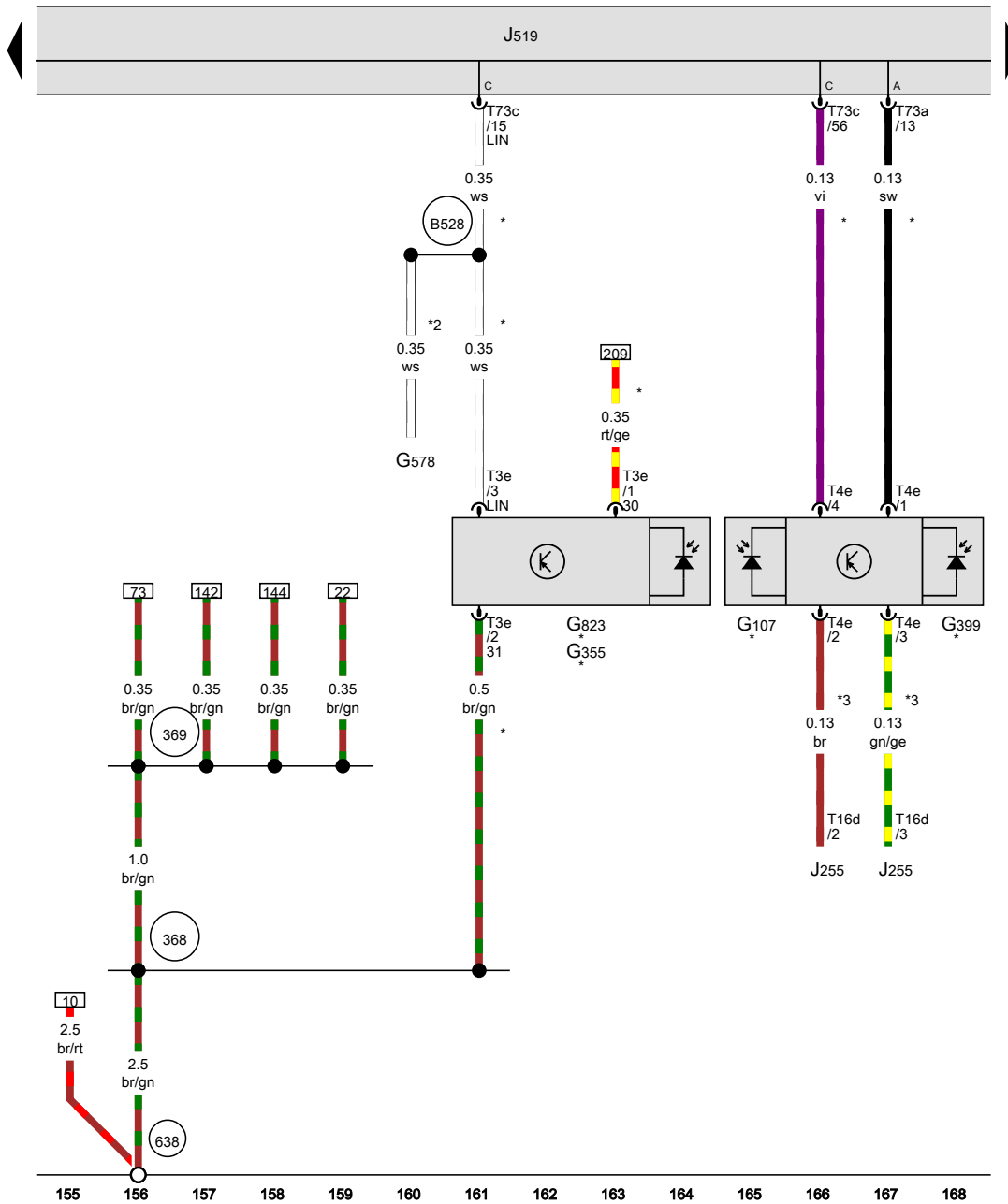
Headlight range control regulator, Left headlight range control motor, Right headlight range control motor

- E102 Headlight range control regulator
- J519 Onboard supply control unit
- L54 Headlight range control regulator illumination bulb
- MX1 Front left headlight
- MX2 Front right headlight
- T6b 6-pin connector
- T10f 10-pin connector
- T10g 10-pin connector
- V48 Left headlight range control motor
- V49 Right headlight range control motor
- B455 Connection (HRC), in main wiring harness



- ws = white
- sw = black
- ro = red
- rt = red
- br = brown
- gn = green
- bl = blue
- gr = grey
- li = purple
- vi = purple
- ge = yellow
- or = orange
- rs = pink

[NH0-061120216]



Sunlight penetration photosensor, Humidity sender, Light sensor, Air humidity, rain and light sensor

- G107 Sunlight penetration photosensor
- G355 Humidity sender
- G399 Light sensor
- G578 Anti-theft alarm sensor
- G823 Air humidity, rain and light sensor
- J255 Climatronic control unit
- J519 Onboard supply control unit
- T3e 3-pin connector
- T4e 4-pin connector
- T16d 16-pin connector
- T73a 73-pin connector, black
- T73c 73-pin connector, black

- 368 Earth connection 3, in main wiring harness
- 369 Earth connection 4, in main wiring harness
- 638 Earth point, on right A-pillar
- B528 Connection 1 (LIN bus) in main wiring harness

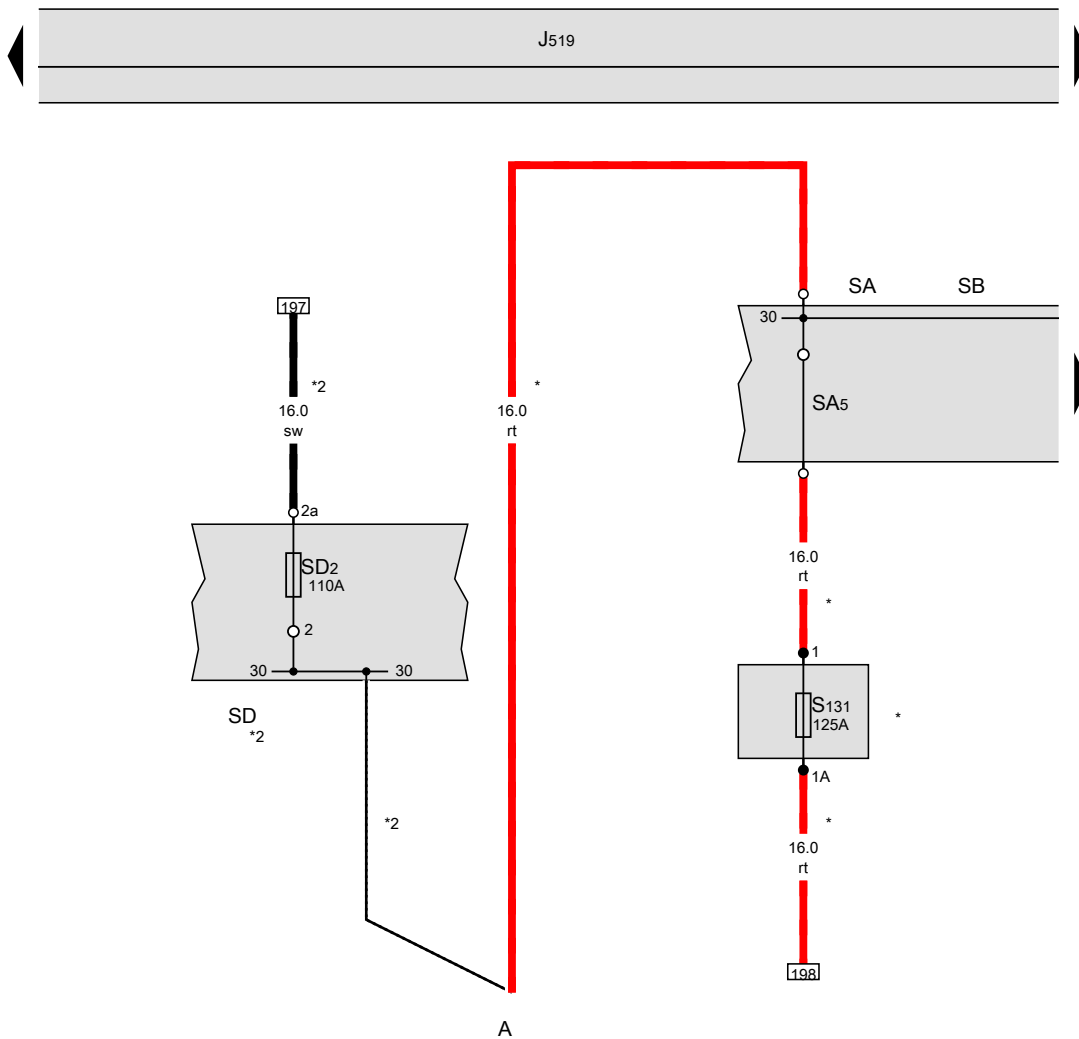
- * According to equipment
- *2 For models with anti-theft alarm system
- *3 Only models with Climatronic

- ws = white
- sw = black
- ro = red
- rt = red
- br = brown
- gn = green
- bl = blue
- gr = grey
- li = purple
- vi = purple
- ge = yellow
- or = orange
- rs = pink

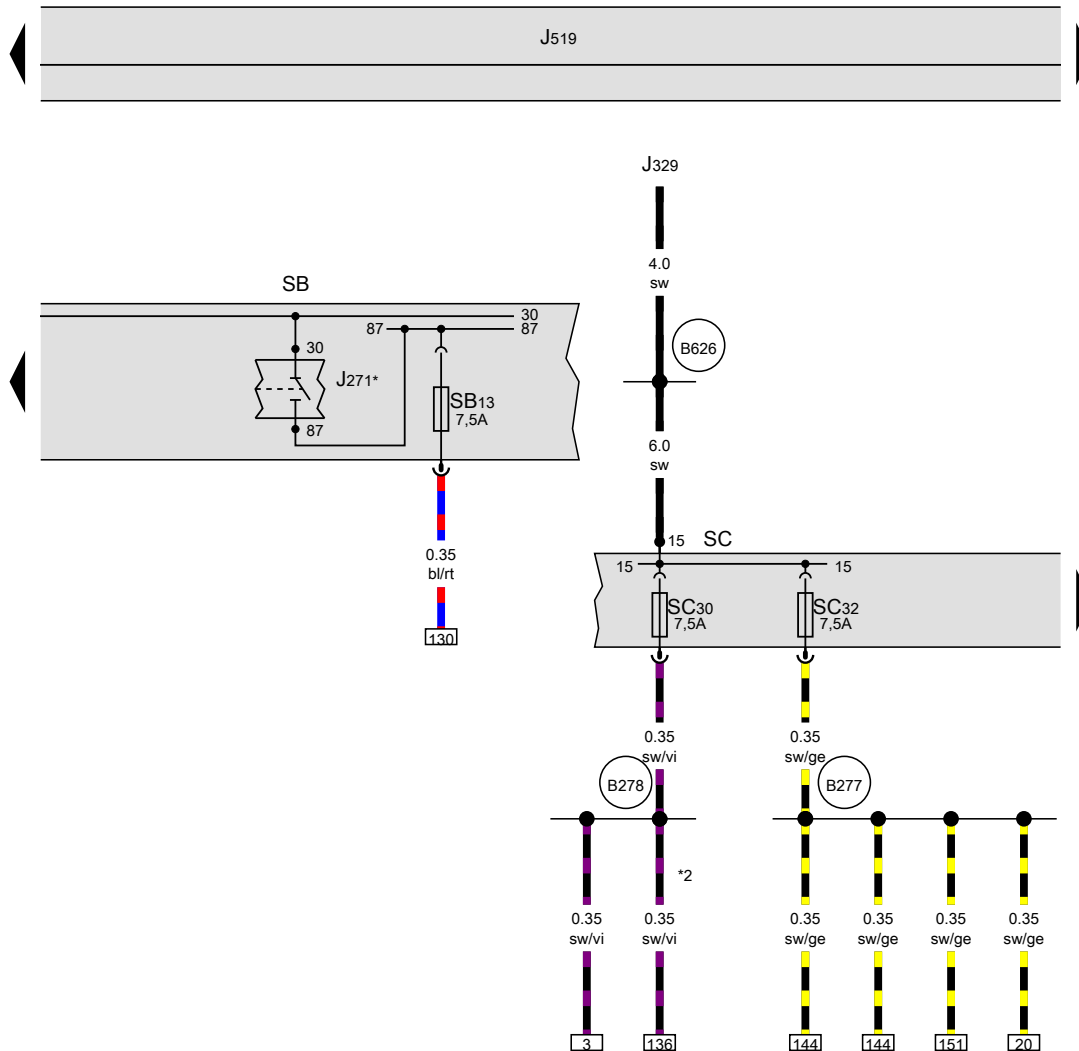
[NH0-061130216]

Battery, Fuse holder A, Fuse holder B, Fuse holder D

- A Battery
- J519 Onboard supply control unit
- SD2 Fuse 2 on fuse holder D
- SA5 Fuse 5 in fuse holder A
- S131 Fuse 1, in main wiring harness
- SA Fuse holder A
- SB Fuse holder B
- SD Fuse holder D
- * Only models with battery in engine compartment
- *2 Only models with battery in luggage compartment



- ws = white
- sw = black
- ro = red
- rt = red
- br = brown
- gn = green
- bl = blue
- gr = grey
- li = purple
- vi = purple
- ge = yellow
- or = orange
- rs = pink



Fuse holder B, Fuse holder C

- J271 Main relay
- J329 Terminal 15 voltage supply relay
- J519 Onboard supply control unit
- SB Fuse holder B
- SB13 Fuse 13 on fuse holder B
- SC Fuse holder C
- SC30 Fuse 30 on fuse holder C
- SC32 Fuse 32 on fuse holder C

B277 Positive connection 1 (15a) in main wiring harness

B278 Positive connection 2 (15a) in main wiring harness

B626 Positive connection 2 (15), in main wiring harness

* see applicable current flow diagram for engine

*2 Only models with manual gearbox

- ws = white
- sw = black
- ro = red
- rt = red
- br = brown
- gn = green
- bl = blue
- gr = grey
- li = purple
- vi = purple
- ge = yellow
- or = orange
- rs = pink

183 184 185 186 187 188 189 190 191 192 193 194 195 196

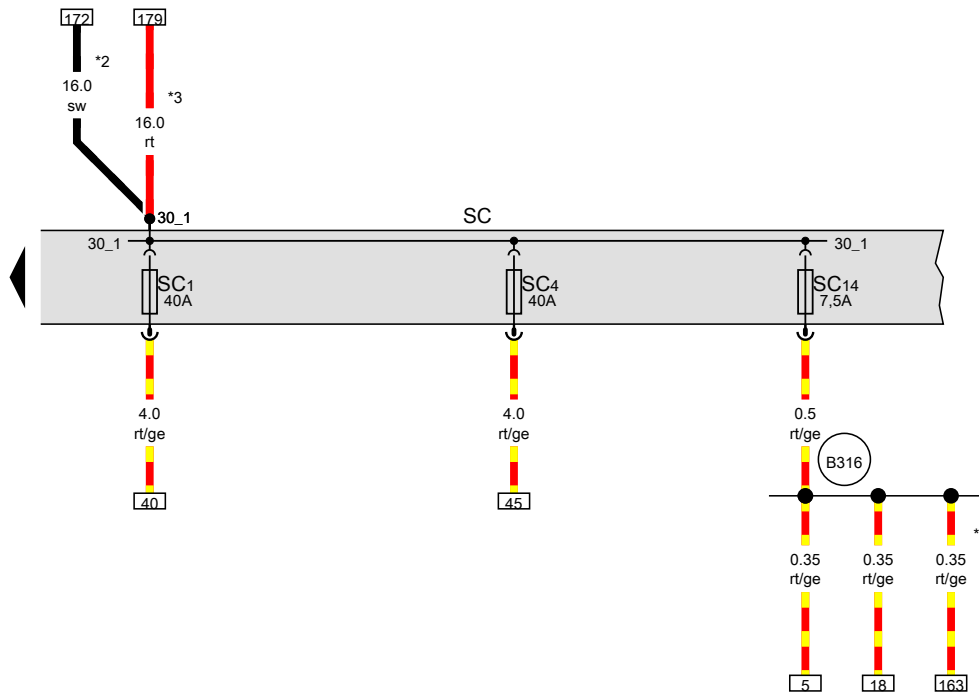
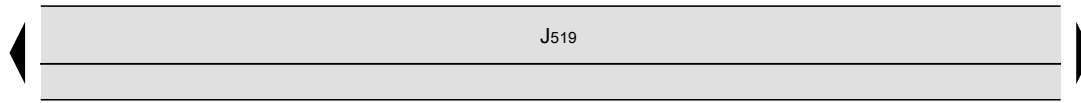
[NH0-061150216]

Fuse holder C

- J519 Onboard supply control unit
- SC Fuse holder C
- SC1 Fuse 1 on fuse holder C
- SC4 Fuse 4 on fuse holder C
- SC14 Fuse 14 on fuse holder C

B316 Positive connection 2 (30a) in main wiring harness

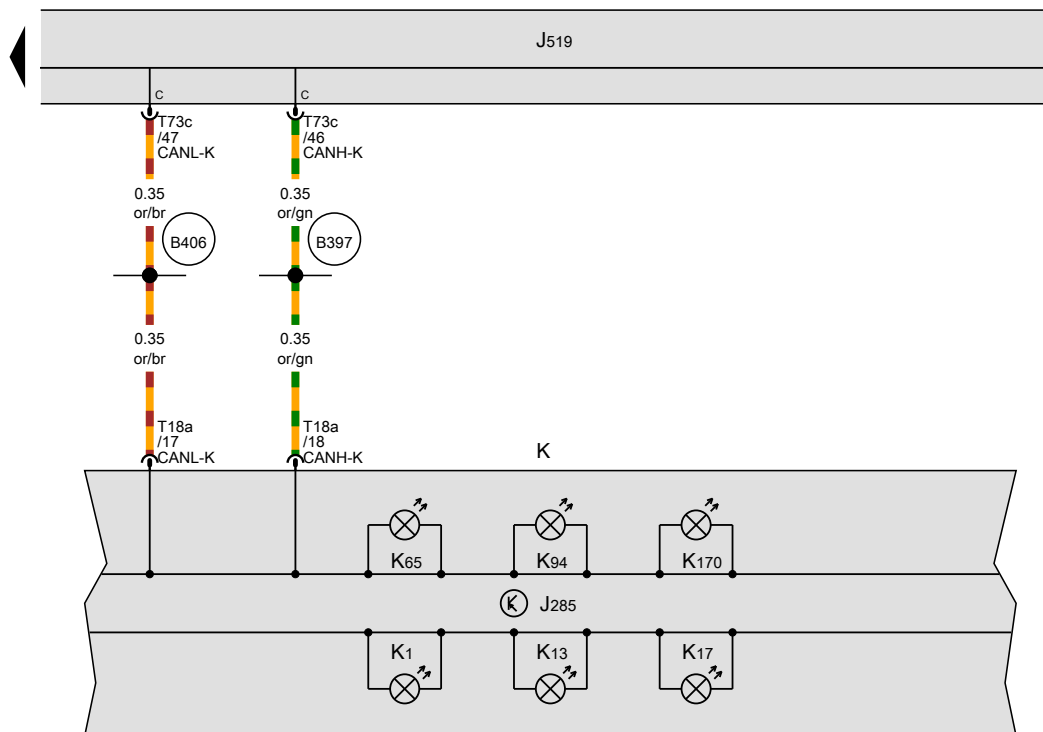
- * According to equipment
- *2 Only models with battery in luggage compartment
- *3 Only models with battery in engine compartment



- ws = white
- sw = black
- ro = red
- rt = red
- br = brown
- gn = green
- bl = blue
- gr = grey
- li = purple
- vi = purple
- ge = yellow
- or = orange
- rs = pink

197 198 199 200 201 202 203 204 205 206 207 208 209 210

[NH0-061160216]



Dash panel insert

- J285 Control unit in dash panel insert
- J519 Onboard supply control unit
- K Dash panel insert
- K1 Main beam warning lamp
- K13 Rear fog light warning lamp
- K17 Fog light warning lamp
- K65 Left turn signal warning lamp
- K94 Right turn signal warning lamp
- K170 Bulb failure warning lamp
- T18a 18-pin connector
- T73c 73-pin connector, black
- B397** Connection 1 (convenience CAN bus, high), in main wiring harness
- B406** Connection 1 (convenience CAN bus, low), in main wiring harness

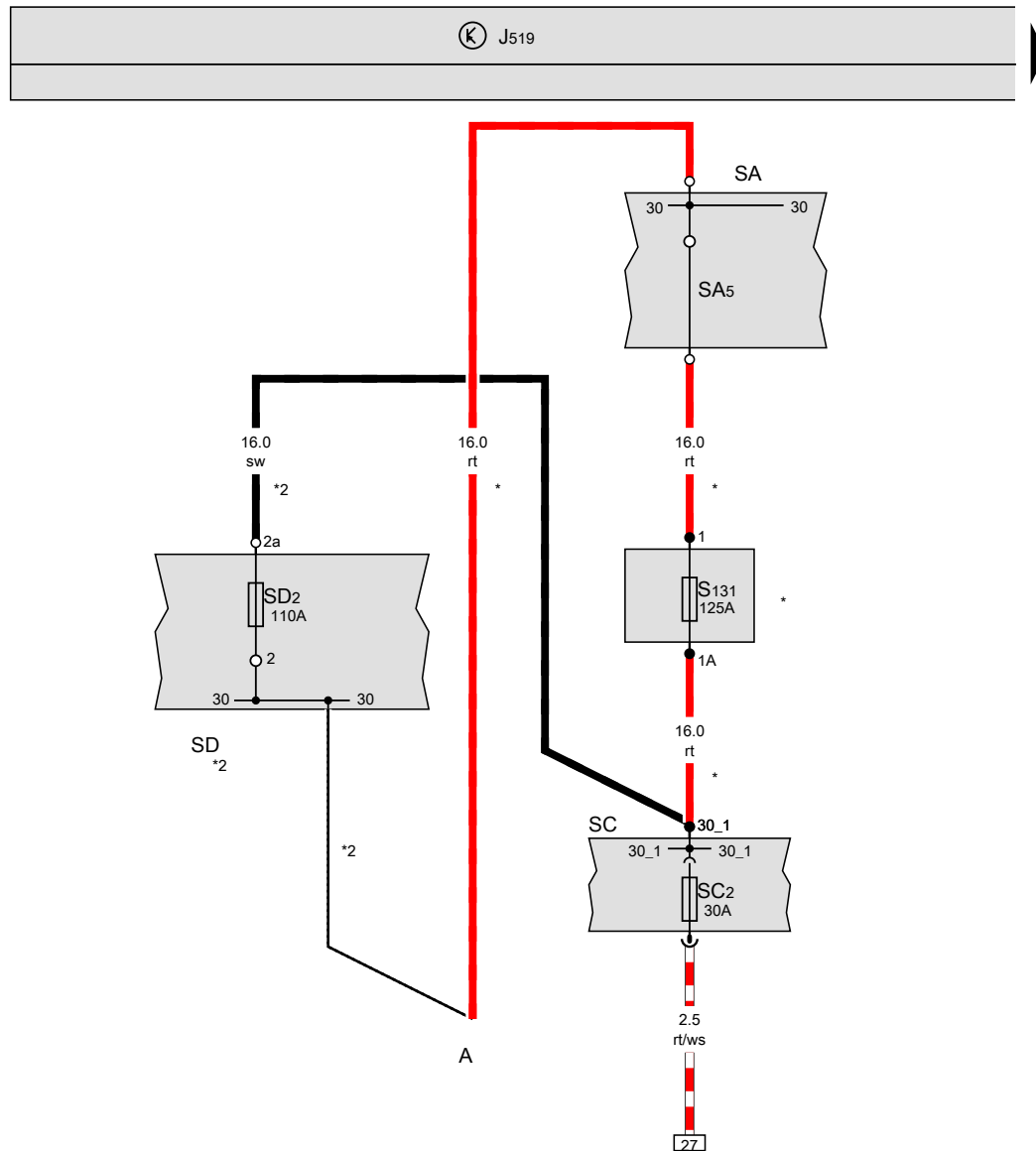
- ws = white
- sw = black
- ro = red
- rt = red
- br = brown
- gn = green
- bl = blue
- gr = grey
- li = purple
- vi = purple
- ge = yellow
- or = orange
- rs = pink

Central locking , (L0R)

From May 2015

Battery, Fuse holder A, Fuse holder C, Fuse holder D

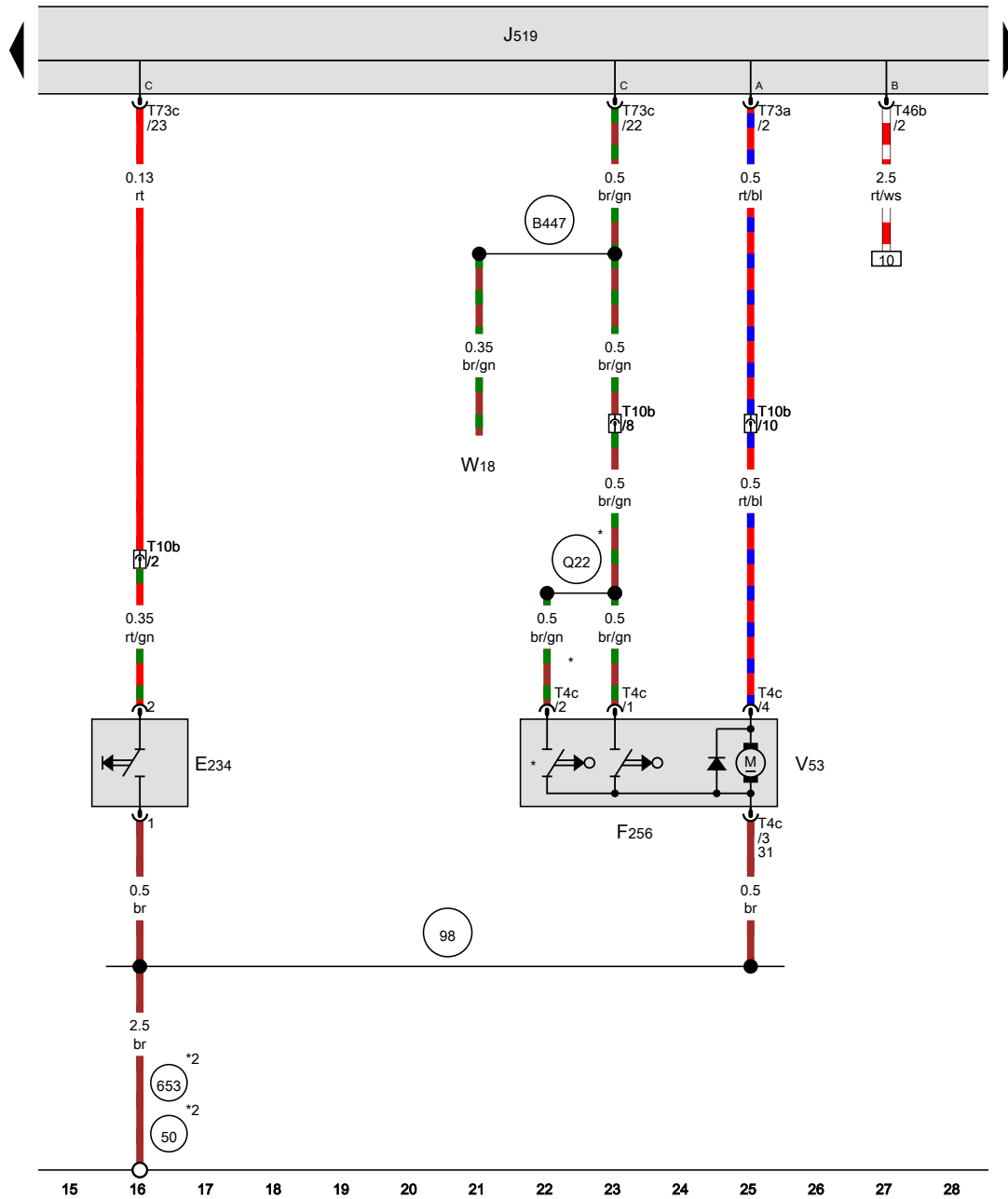
- A Battery
- J519 Onboard supply control unit
- SA Fuse holder A
- SC Fuse holder C
- SD2 Fuse 2 on fuse holder D
- SC2 Fuse 2 on fuse holder C
- SA5 Fuse 5 in fuse holder A
- S131 Fuse 1, in main wiring harness
- SD Fuse holder D
- * Only models with battery in engine compartment
- *2 Only models with battery in luggage compartment



- ws = white
- sw = black
- ro = red
- rt = red
- br = brown
- gn = green
- bl = blue
- gr = grey
- li = purple
- vi = purple
- ge = yellow
- or = orange
- rs = pink

1 2 3 4 5 6 7 8 9 10 11 12 13 14

[NH0-062020216]



Rear lid handle release button, Rear lid lock unit, Rear lid central locking motor

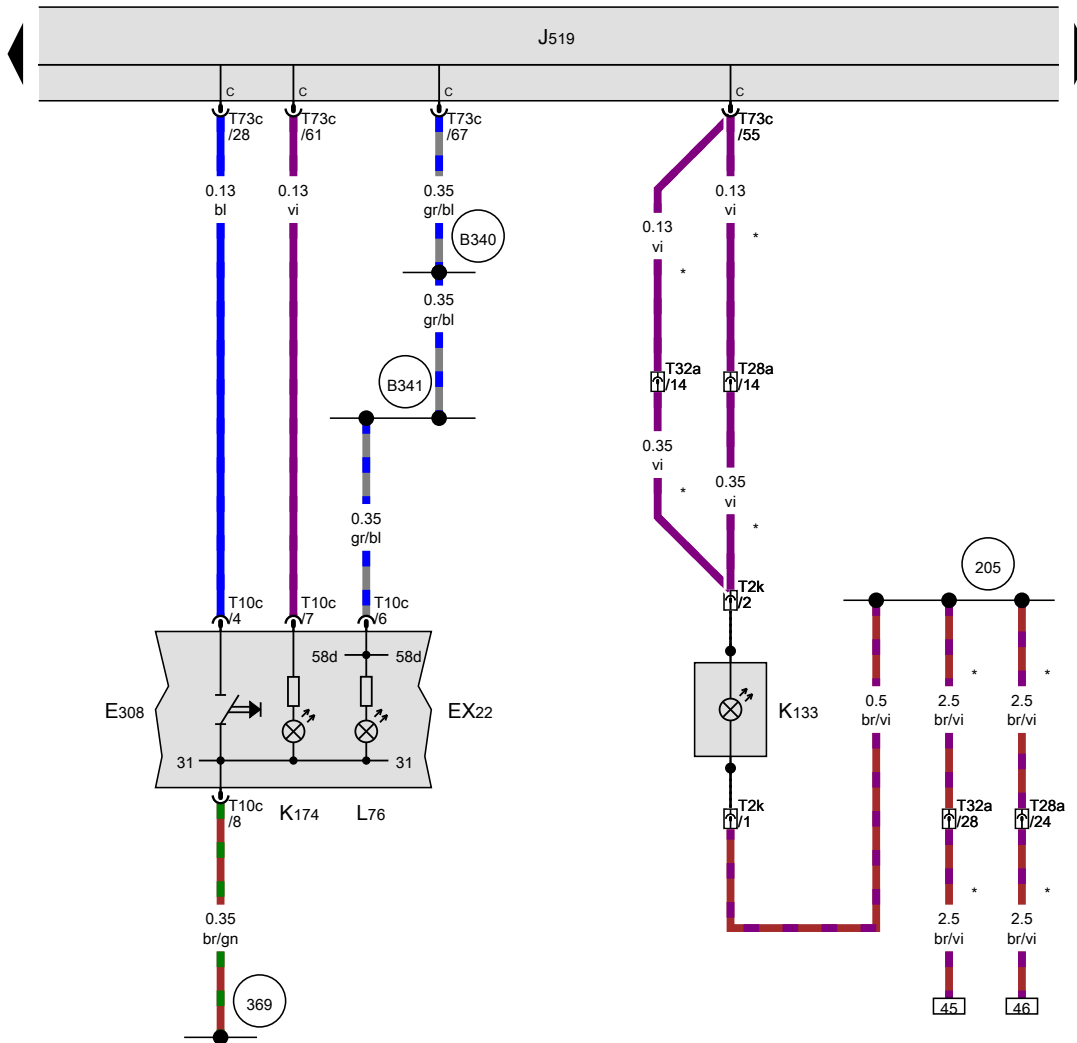
- E234 Rear lid handle release button
- F256 Rear lid lock unit
- J519 Onboard supply control unit
- T4c 4-pin connector
- T10b 10-pin connector
- T46b 46-pin connector, brown
- T73a 73-pin connector, black
- T73c 73-pin connector, black
- V53 Rear lid central locking motor
- W18 Luggage compartment light on left

- 50 Earth point, on left in luggage compartment
- 98 Earth connection, in rear lid wiring harness
- 653 Earth point, on left D-pillar
- B447 Connection (luggage compartment light), in main wiring harness
- Q22 Connection 1, in rear lid wiring harness

* According to equipment
 *2 see fitting locations

- ws = white
- sw = black
- ro = red
- rt = red
- br = brown
- gn = green
- bl = blue
- gr = grey
- li = purple
- vi = purple
- ge = yellow
- or = orange
- rs = pink

[NH0-062030216]



Centre switch module in dash panel, Driver side interior locking button for central locking system, Central locking SAFELOCK function warning lamp

- EX22 Centre switch module in dash panel
- E308 Driver side interior locking button for central locking system
- J519 Onboard supply control unit
- K133 Central locking SAFELOCK function warning lamp
- K174 Driver side interior locking warning lamp
- L76 Button illumination bulb
- T2k 2-pin connector, in driver door
- T10c 10-pin connector, black
- T28a 28-pin connector, on right A-pillar
- T32a 32-pin connector, on right A-pillar
- T73c 73-pin connector, black

205 Earth connection, in driver door wiring harness

369 Earth connection 4, in main wiring harness

B340 Connection 1 (58d), in main wiring harness

B341 Connection 2 (58d), in main wiring harness

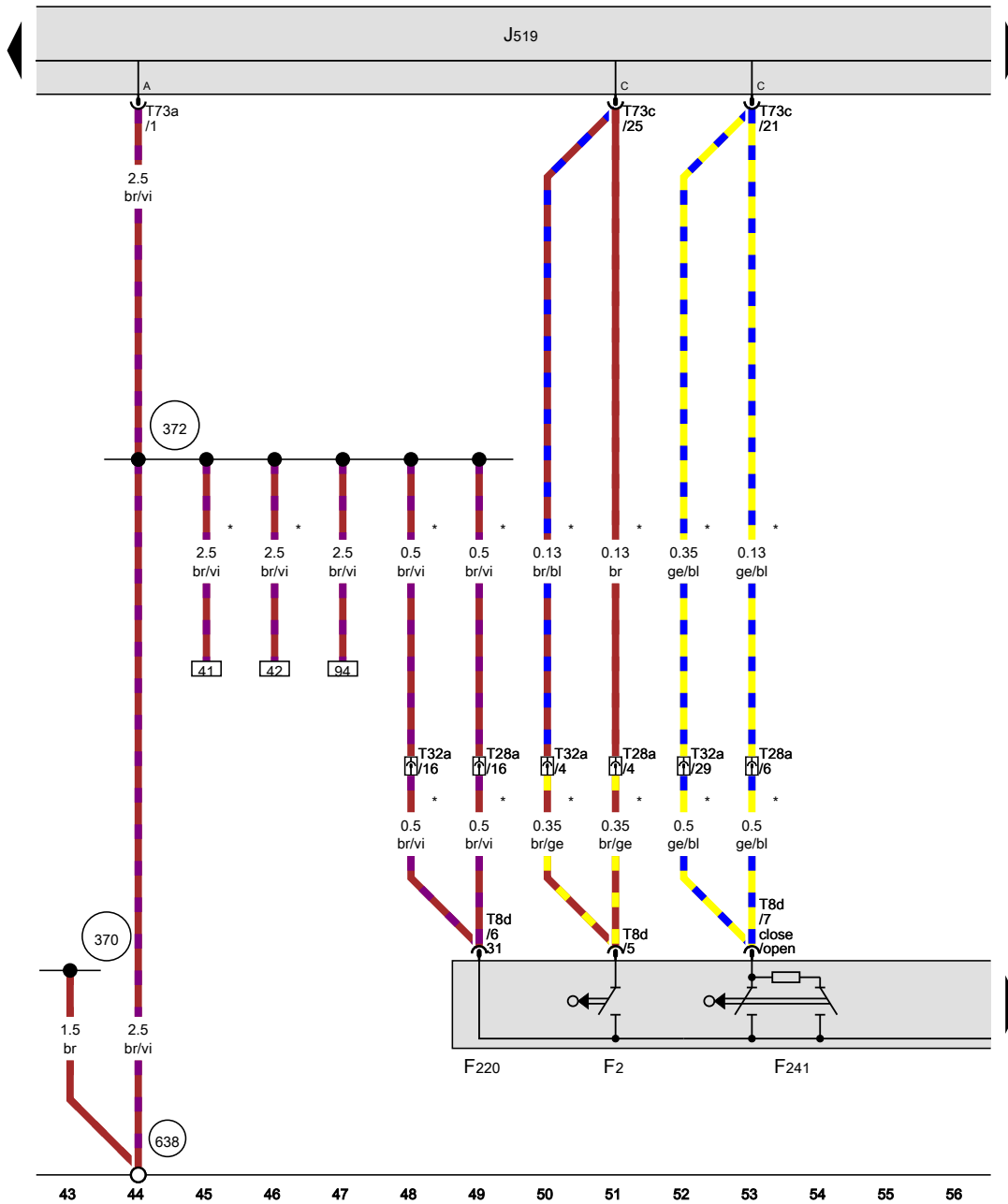
* According to equipment

- ws = white
- sw = black
- ro = red
- rt = red
- br = brown
- gn = green
- bl = blue
- gr = grey
- li = purple
- vi = purple
- ge = yellow
- or = orange
- rs = pink

29 30 31 32 33 34 35 36 37 38 39 40 41 42

1NH0-0620402161

Driver side central locking lock unit



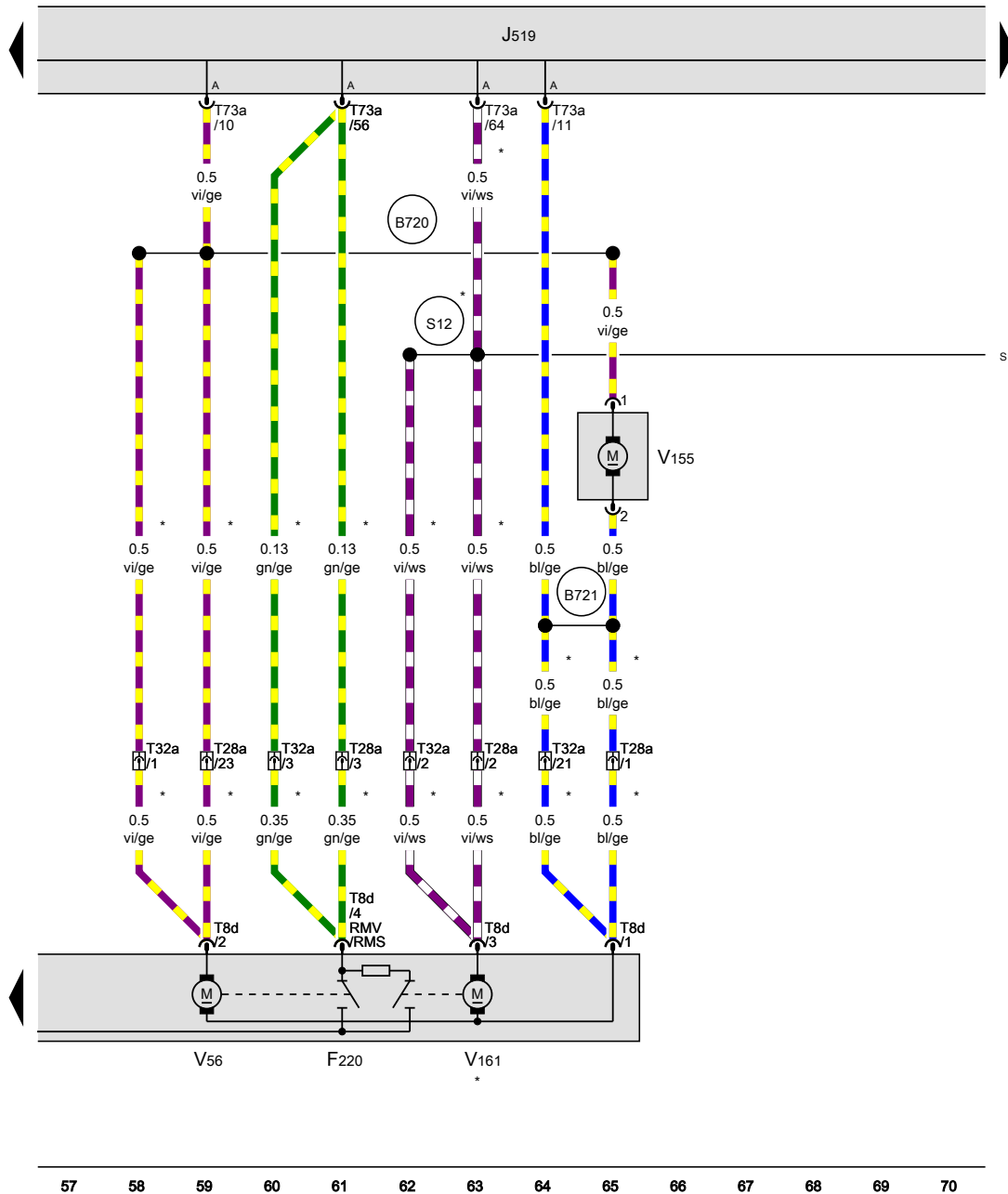
- F2 Driver door contact switch
- F220 Driver side central locking lock unit
- F241 Driver side contact switch in lock cylinder
- J519 Onboard supply control unit
- T8d 8-pin connector
- T28a 28-pin connector, on right A-pillar
- T32a 32-pin connector, on right A-pillar
- T73a 73-pin connector, black
- T73c 73-pin connector, black

- 370 Earth connection 5, in main wiring harness
- 372 Earth connection 7, in main wiring harness
- 638 Earth point, on right A-pillar
- * According to equipment

- ws = white
- sw = black
- ro = red
- rt = red
- br = brown
- gn = green
- bl = blue
- gr = grey
- li = purple
- vi = purple
- ge = yellow
- or = orange
- rs = pink

[NH0-062050216]

Driver side central locking lock unit, Tank filler flap locking motor

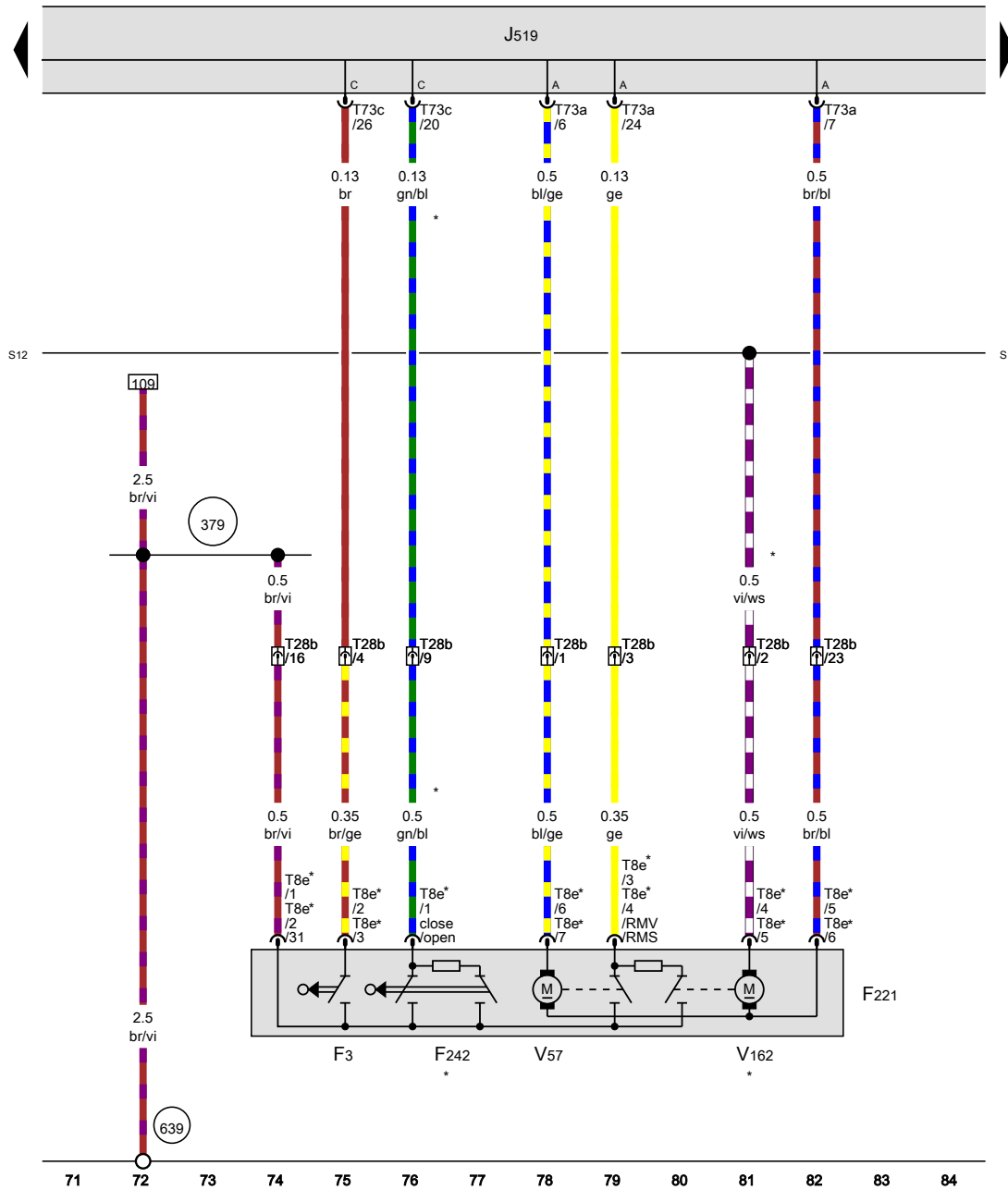


- F220 Driver side central locking lock unit
- J519 Onboard supply control unit
- T8d 8-pin connector
- T28a 28-pin connector, on right A-pillar
- T32a 32-pin connector, on right A-pillar
- T73a 73-pin connector, black
- V56 Driver door central locking motor
- V155 Tank filler flap locking motor
- V161 Driver door central locking SAFELock function motor

- B720 Connection 1 (central locking), in main wiring harness
- B721 Connection 2 (central locking), in main wiring harness
- S12 Connection (SAFE 1), in central locking wiring harness
- * According to equipment

- ws = white
- sw = black
- ro = red
- rt = red
- br = brown
- gn = green
- bl = blue
- gr = grey
- li = purple
- vi = purple
- ge = yellow
- or = orange
- rs = pink

Front passenger side central locking lock unit

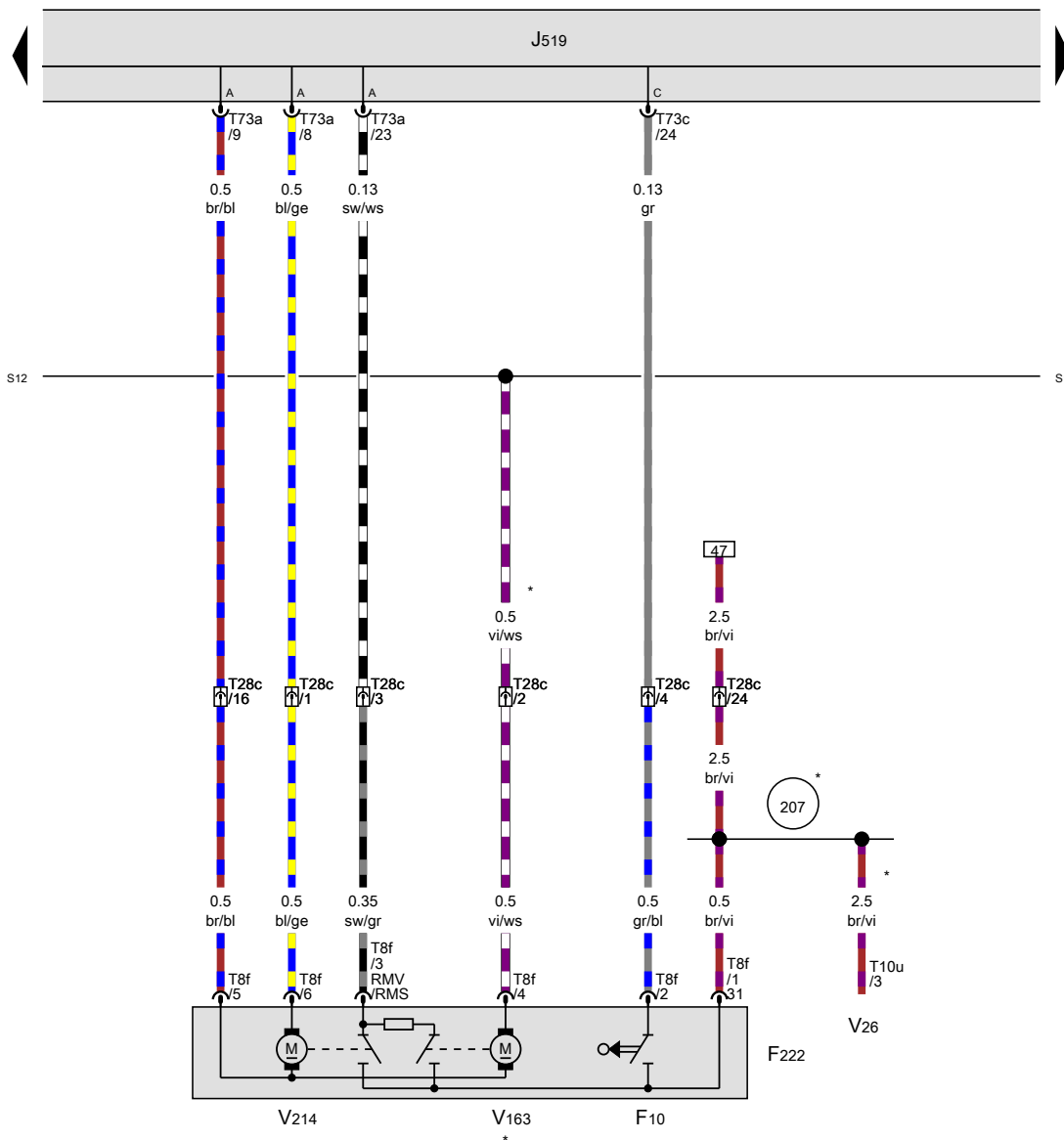


- F3 Front passenger door contact switch
- F221 Front passenger side central locking lock unit
- F242 Front passenger side contact switch in lock cylinder
- J519 Onboard supply control unit
- T8e 8-pin connector
- T28b 28-pin connector, on left A-pillar
- T73a 73-pin connector, black
- T73c 73-pin connector, black
- V57 Front passenger door central locking motor
- V162 Front passenger door central locking SAFELOCK function motor

- 379 Earth connection 14, in main wiring harness
- 639 Earth point, left A-pillar
- S12 Connection (SAFE 1), in central locking wiring harness
- * According to equipment

- ws = white
- sw = black
- ro = red
- rt = red
- br = brown
- gn = green
- bl = blue
- gr = grey
- li = purple
- vi = purple
- ge = yellow
- or = orange
- rs = pink

1NH0-0620702161



Rear left central locking lock unit

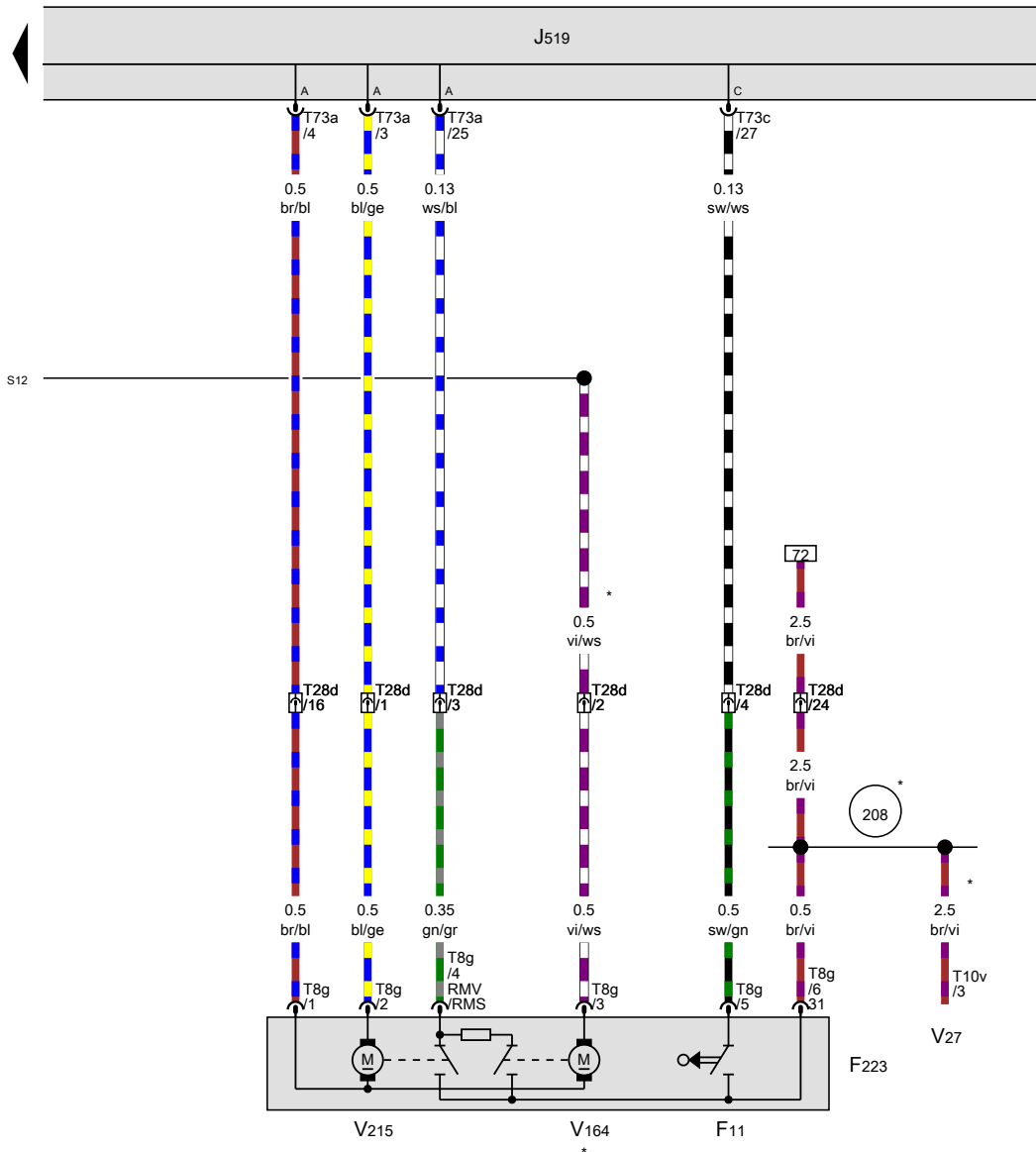
- F10 Rear left door contact switch
- F222 Rear left central locking lock unit
- J519 Onboard supply control unit
- T8f 8-pin connector
- T10u 10-pin connector
- T28c 28-pin connector, on left B-pillar
- T73a 73-pin connector, black
- T73c 73-pin connector, black
- V26 Rear left window regulator motor
- V163 Rear left door central locking SAFELOCK function motor
- V214 Rear left door central locking motor, lock

- (207) Earth connection, in rear left door wiring harness
- (S12) Connection (SAFE 1), in central locking wiring harness

* According to equipment

- ws = white
- ro = red
- rt = red
- br = brown
- gn = green
- bl = blue
- gr = grey
- li = purple
- vi = purple
- ge = yellow
- or = orange
- rs = pink

Rear right central locking lock unit



- F11 Rear right door contact switch
- F223 Rear right central locking lock unit
- J519 Onboard supply control unit
- T8g 8-pin connector
- T10v 10-pin connector
- T28d 28-pin connector, on right B-pillar
- T73a 73-pin connector, black
- T73c 73-pin connector, black
- V27 Rear right window regulator motor
- V164 Rear right door central SAFELOCK function locking motor
- V215 Rear right door central locking motor, lock
- 208 Earth connection, in rear right door wiring harness
- S12 Connection (SAFE 1), in central locking wiring harness
- * According to equipment

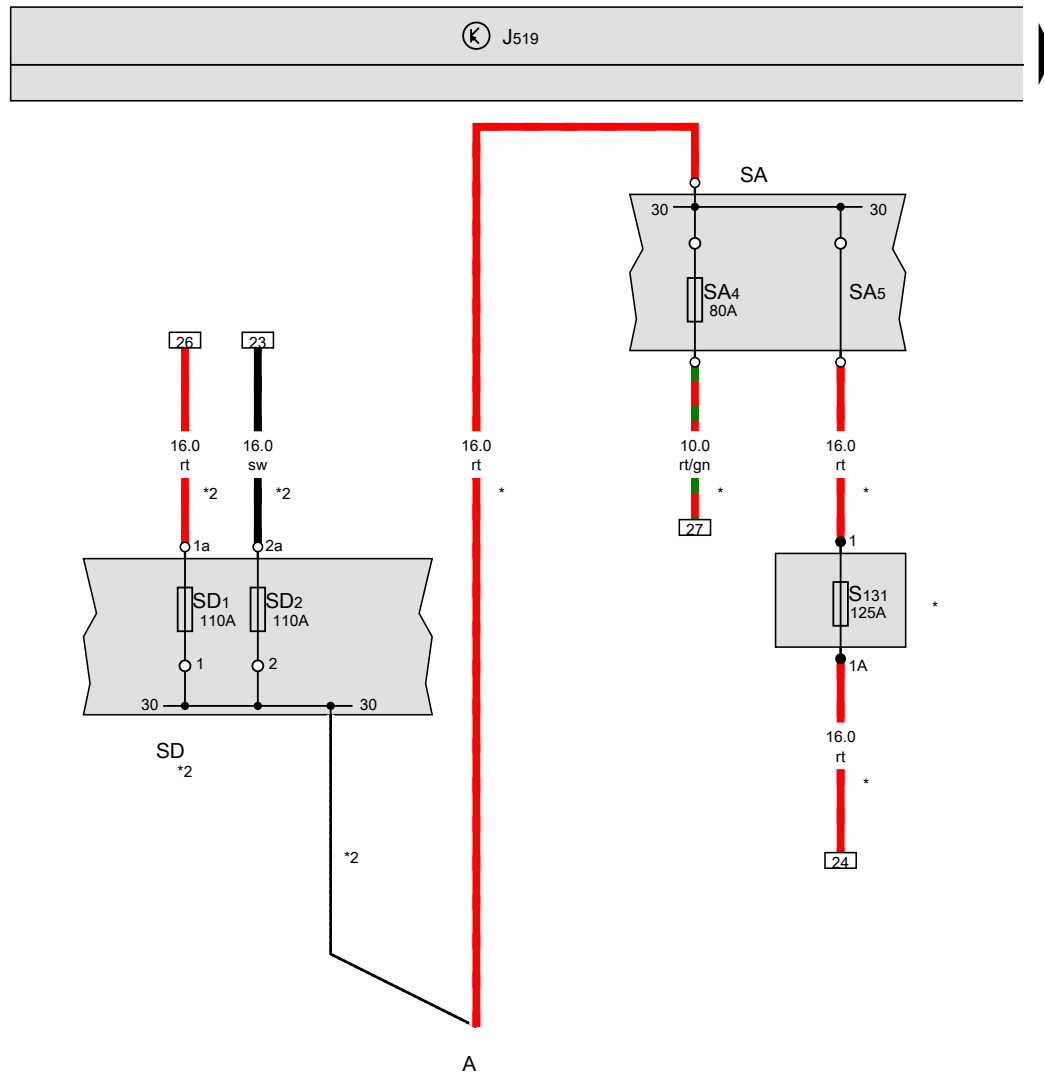
- ws = white
- sw = black
- ro = red
- rt = red
- br = brown
- gn = green
- bl = blue
- gr = grey
- li = purple
- vi = purple
- ge = yellow
- or = orange
- rs = pink

Convenience system with rear manually operated window regulators , (L0R)

From May 2015

Battery, Fuse holder A, Fuse holder D

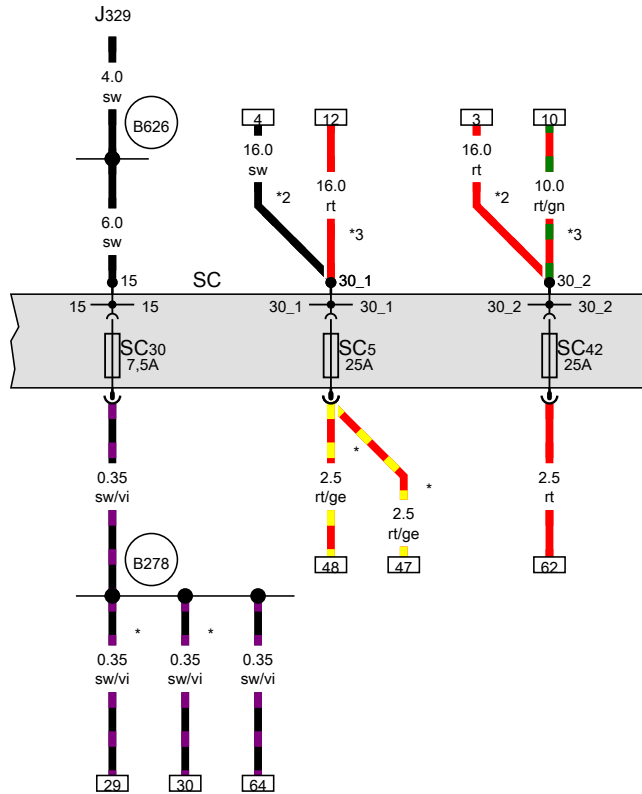
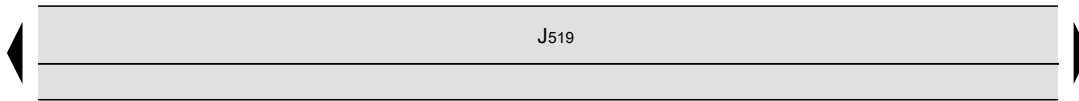
- A Battery
- J519 Onboard supply control unit
- SA Fuse holder A
- SD Fuse holder D
- SD1 Fuse 1 on fuse holder D
- SD2 Fuse 2 on fuse holder D
- SA4 Fuse 4 in fuse holder A
- SA5 Fuse 5 in fuse holder A
- S131 Fuse 1, in main wiring harness
- * Only models with battery in engine compartment
- *2 Only models with battery in luggage compartment



- ws = white
- sw = black
- ro = red
- rt = red
- br = brown
- gn = green
- bl = blue
- gr = grey
- li = purple
- vi = purple
- ge = yellow
- or = orange
- rs = pink

1 2 3 4 5 6 7 8 9 10 11 12 13 14

[NH0-063020216]



Fuse holder C

- J329 Terminal 15 voltage supply relay
- J519 Onboard supply control unit
- SC Fuse holder C
- SC5 Fuse 5 on fuse holder C
- SC30 Fuse 30 on fuse holder C
- SC42 Fuse 42 on fuse holder C

B278 Positive connection 2 (15a) in main wiring harness

B626 Positive connection 2 (15), in main wiring harness

* According to equipment

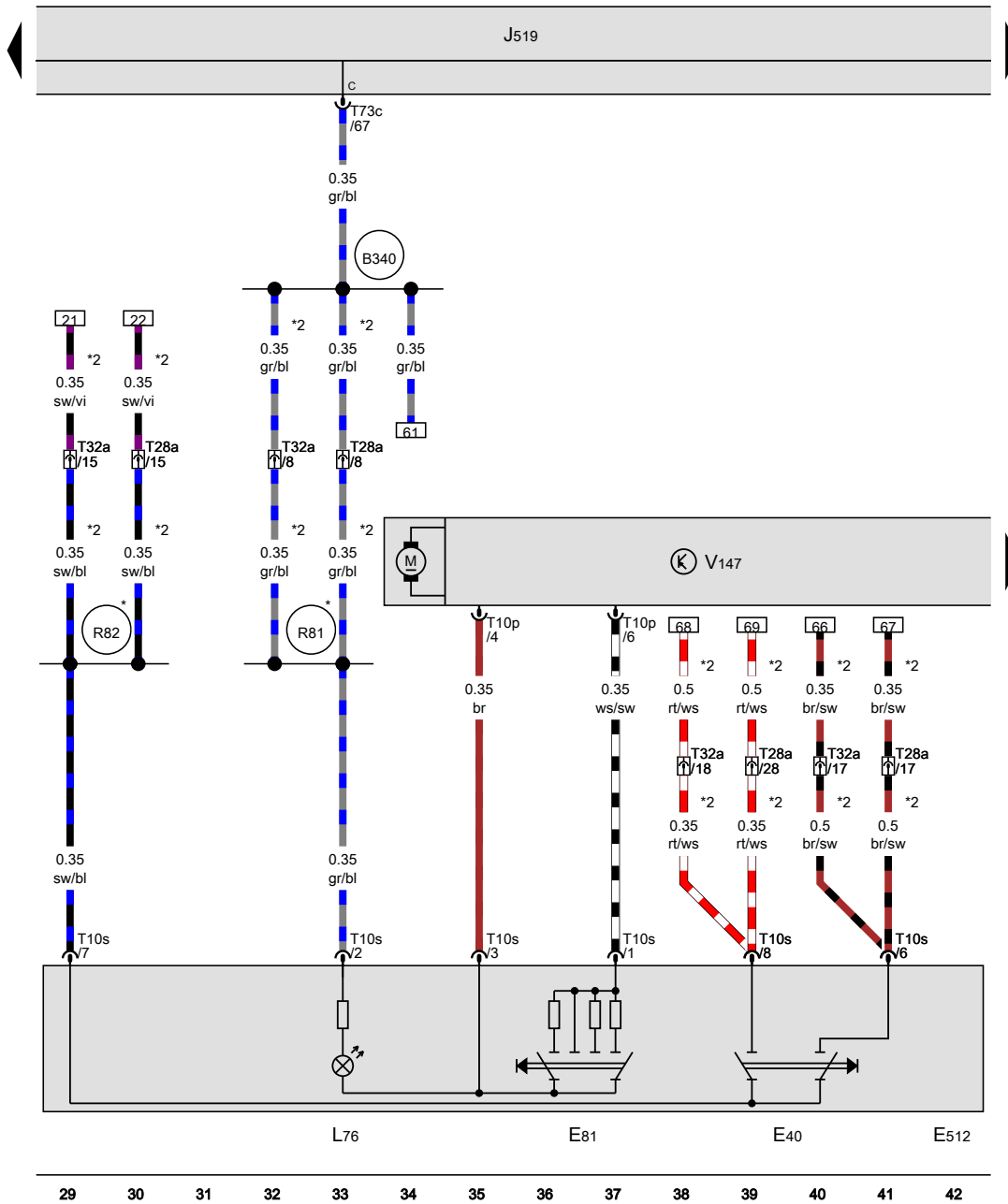
*2 Only models with battery in luggage compartment

*3 Only models with battery in engine compartment

- ws = white
- sw = black
- ro = red
- rt = red
- br = brown
- gn = green
- bl = blue
- gr = grey
- li = purple
- vi = purple
- ge = yellow
- or = orange
- rs = pink

15 16 17 18 19 20 21 22 23 24 25 26 27 28

[NH0-063030216]



Operating unit for window regulator in driver door, Driver side window regulator motor

- E40 Front left window regulator switch
- E81 Front right window regulator switch in driver door
- E512 Operating unit for window regulator in driver door
- J519 Onboard supply control unit
- L76 Button illumination bulb
- T10p 10-pin connector
- T10s 10-pin connector
- T28a 28-pin connector, on right A-pillar
- T32a 32-pin connector, on right A-pillar
- T73c 73-pin connector, black
- V147 Driver side window regulator motor

- B340** Connection 1 (58d), in main wiring harness
- R81** Connection 1 (58d), in driver side door wiring harness
- R82** Positive connection 1 (15a), in driver side door wiring harness
- * Only models with electrically adjustable exterior mirrors
- *2 According to equipment

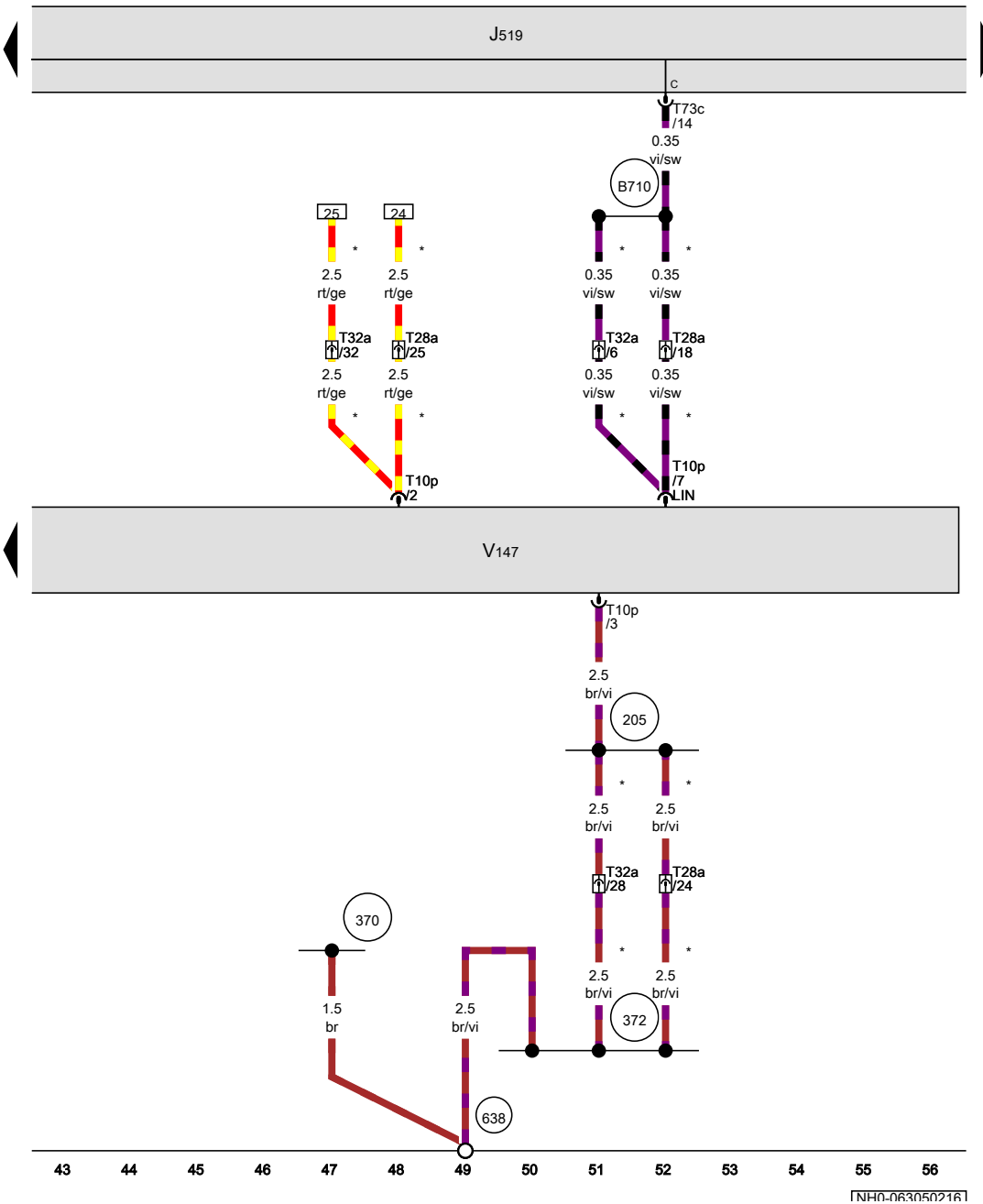
- ws = white
- sw = black
- ro = red
- rt = red
- br = brown
- gn = green
- bl = blue
- gr = grey
- li = purple
- vi = purple
- ge = yellow
- or = orange
- rs = pink

1NH0-0630402161

Driver side window regulator motor

- J519 Onboard supply control unit
- T10p 10-pin connector
- T28a 28-pin connector, on right A-pillar
- T32a 32-pin connector, on right A-pillar
- T73c 73-pin connector, black
- V147 Driver side window regulator motor

- (205) Earth connection, in driver door wiring harness
- (370) Earth connection 5, in main wiring harness
- (372) Earth connection 7, in main wiring harness
- (638) Earth point, on right A-pillar
- (B710) Connection 5 (LIN bus) in main wiring harness
- * According to equipment



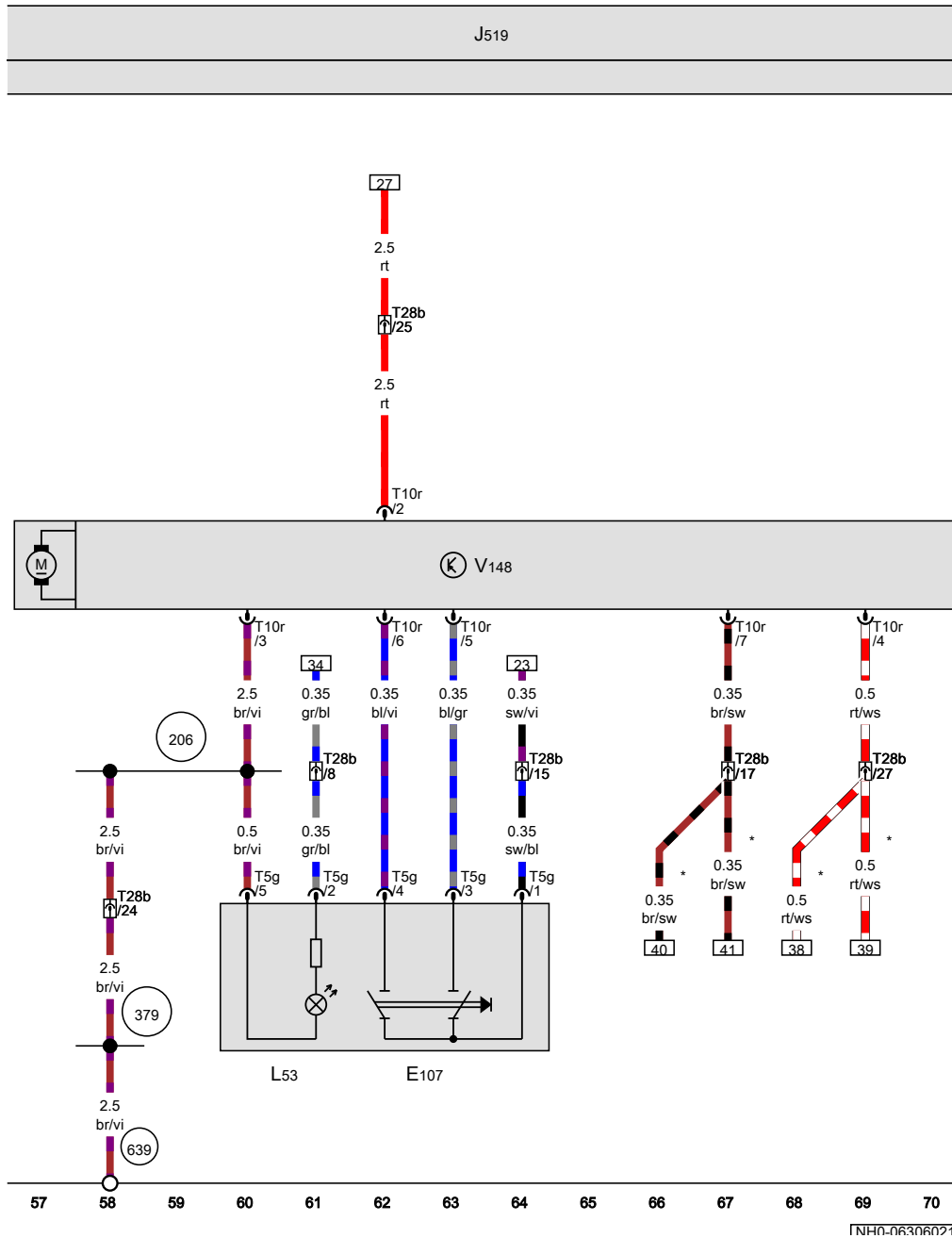
- ws = white
- sw = black
- ro = red
- rt = red
- br = brown
- gn = green
- bl = blue
- gr = grey
- li = purple
- vi = purple
- ge = yellow
- or = orange
- rs = pink

[NH0-063050216]

Window regulator switch in front passenger door, Front passenger side window regulator motor

- E107 Window regulator switch in front passenger door
- J519 Onboard supply control unit
- L53 Window regulator switch illumination bulb
- T5g 5-pin connector
- T10r 10-pin connector
- T28b 28-pin connector, on left A-pillar
- V148 Front passenger side window regulator motor

- 206 Earth connection, in front passenger door wiring harness
- 379 Earth connection 14, in main wiring harness
- 639 Earth point, left A-pillar
- * According to equipment



- ws = white
- sw = black
- ro = red
- rt = red
- br = brown
- gn = green
- bl = blue
- gr = grey
- li = purple
- vi = purple
- ge = yellow
- or = orange
- rs = pink

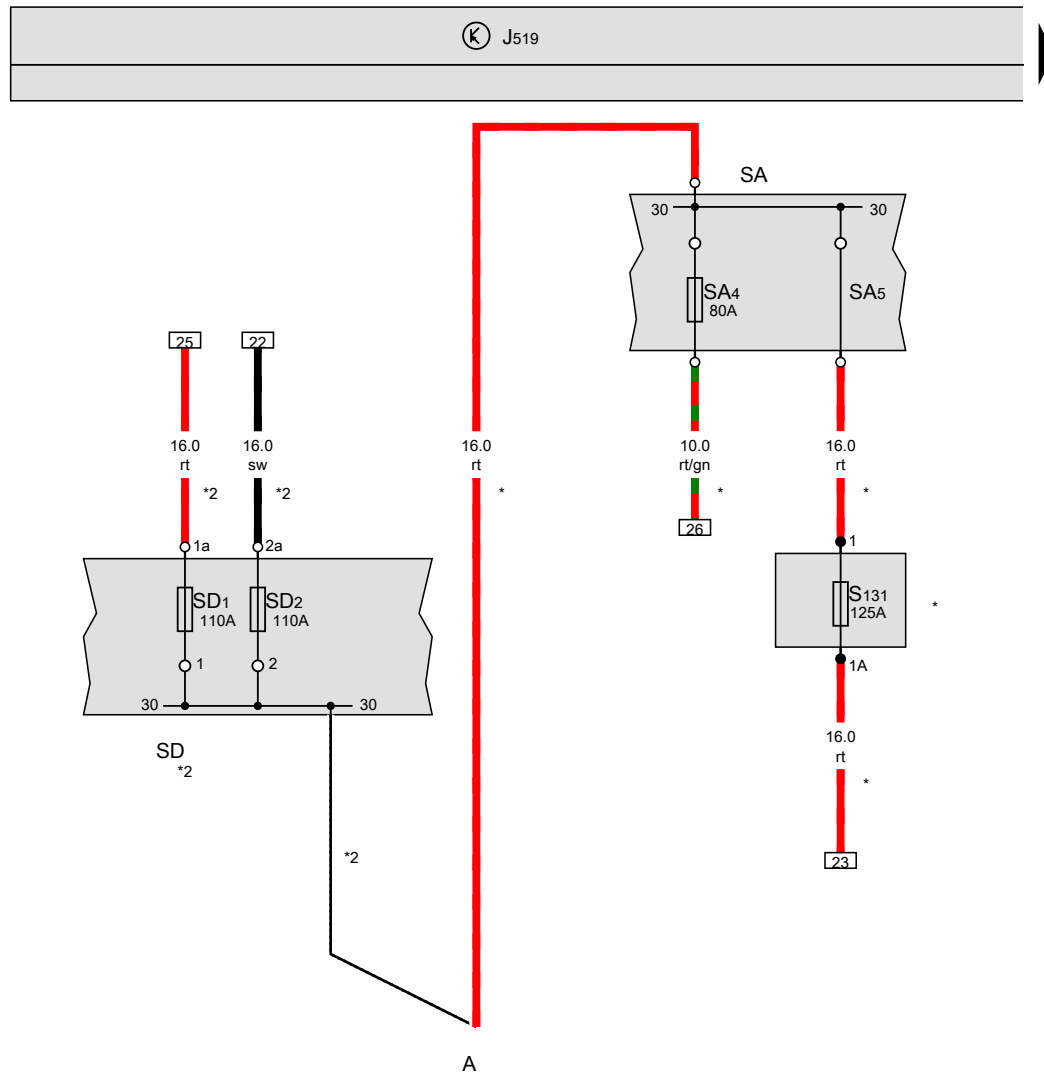
[NH0-063060216]

Convenience system with electric window regulators , (L0R)

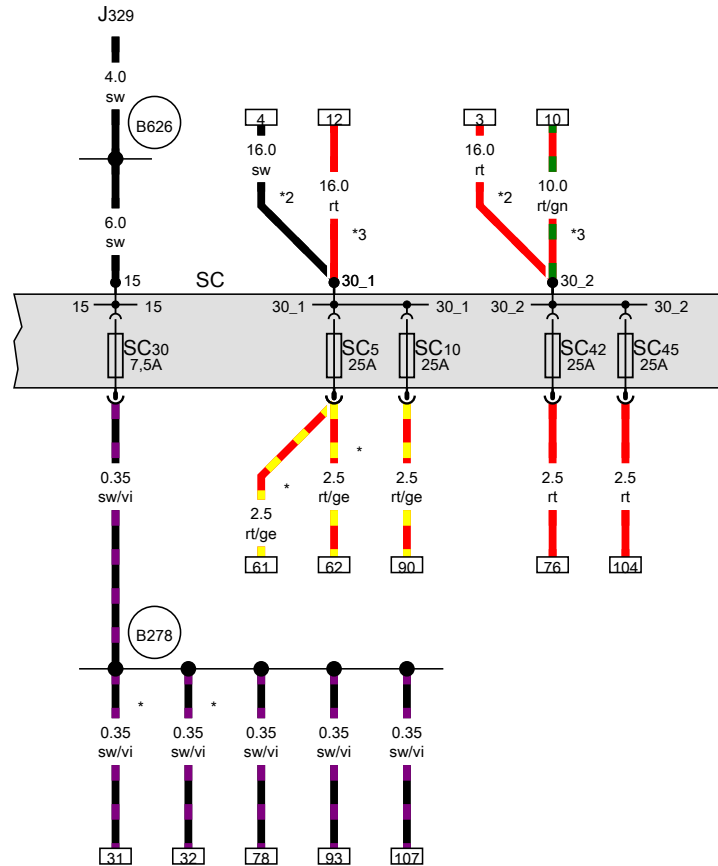
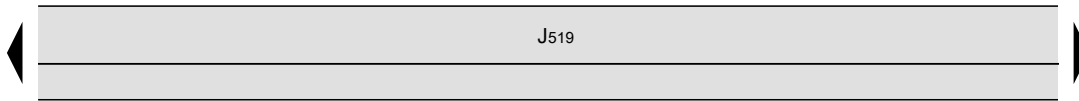
From May 2015

Battery, Fuse holder A, Fuse holder D

- A Battery
- J519 Onboard supply control unit
- SA Fuse holder A
- SD Fuse holder D
- SD1 Fuse 1 on fuse holder D
- SD2 Fuse 2 on fuse holder D
- SA4 Fuse 4 in fuse holder A
- SA5 Fuse 5 in fuse holder A
- S131 Fuse 1, in main wiring harness
- * Only models with battery in engine compartment
- *2 Only models with battery in luggage compartment



- ws = white
- sw = black
- ro = red
- rt = red
- br = brown
- gn = green
- bl = blue
- gr = grey
- li = purple
- vi = purple
- ge = yellow
- or = orange
- rs = pink



Fuse holder C

- J329 Terminal 15 voltage supply relay
- J519 Onboard supply control unit
- SC Fuse holder C
- SC5 Fuse 5 on fuse holder C
- SC10 Fuse 10 on fuse holder C
- SC30 Fuse 30 on fuse holder C
- SC42 Fuse 42 on fuse holder C
- SC45 Fuse 45 on fuse holder C

B278 Positive connection 2 (15a) in main wiring harness

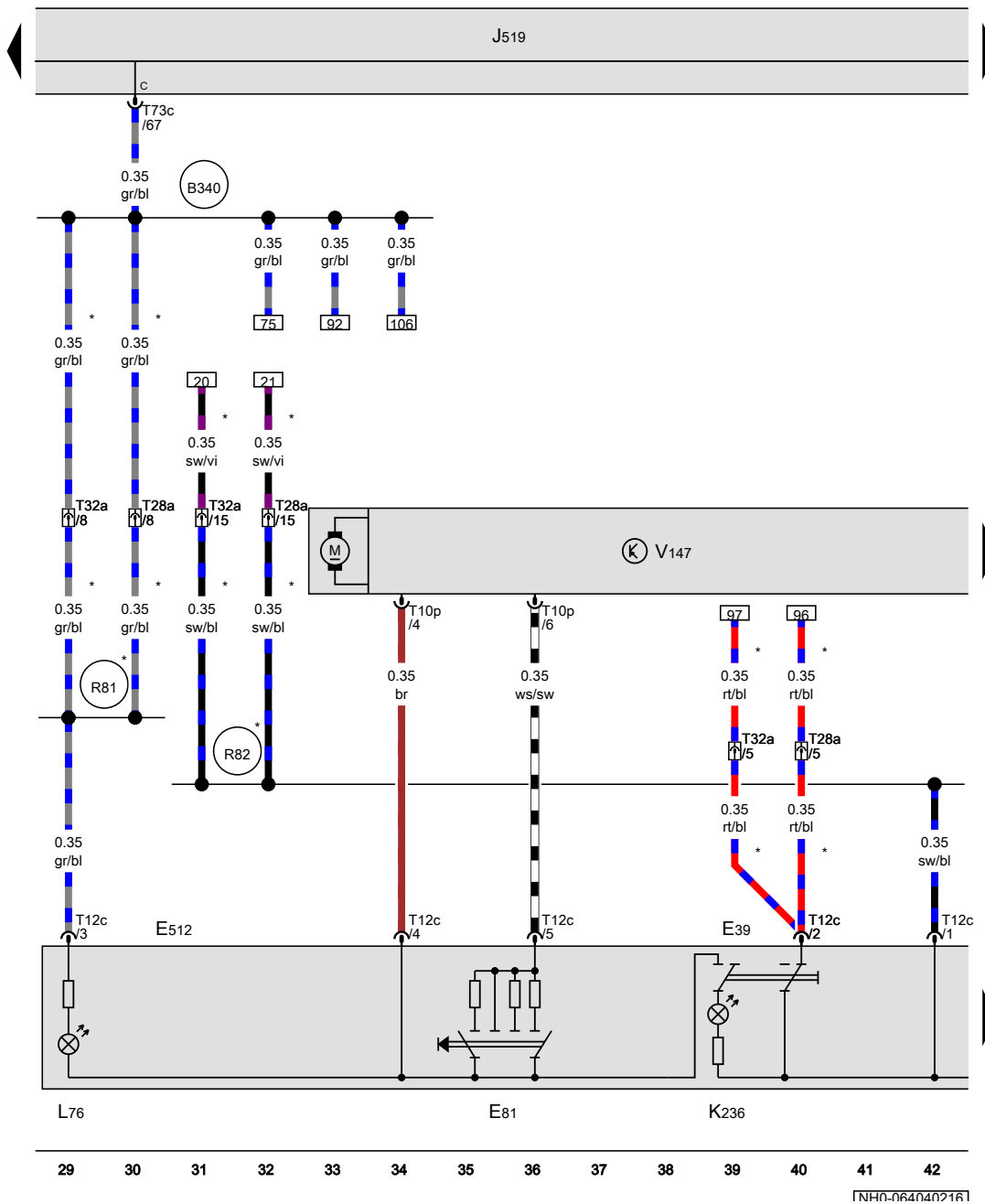
B626 Positive connection 2 (15), in main wiring harness

- * According to equipment
- *2 Only models with battery in luggage compartment
- *3 Only models with battery in engine compartment

- ws = white
- sw = black
- ro = red
- rt = red
- br = brown
- gn = green
- bl = blue
- gr = grey
- li = purple
- vi = purple
- ge = yellow
- or = orange
- rs = pink

15 16 17 18 19 20 21 22 23 24 25 26 27 28

[NH0-064030216]



Operating unit for window regulator in driver door, Driver side window regulator motor

- E39 Rear window regulator isolation switch
- E81 Front right window regulator switch in driver door
- E512 Operating unit for window regulator in driver door
- J519 Onboard supply control unit
- K236 Warning light for activated childproof lock
- L76 Button illumination bulb
- T10p 10-pin connector
- T12c 12-pin connector
- T28a 28-pin connector, on right A-pillar
- T32a 32-pin connector, on right A-pillar
- T73c 73-pin connector, black
- V147 Driver side window regulator motor

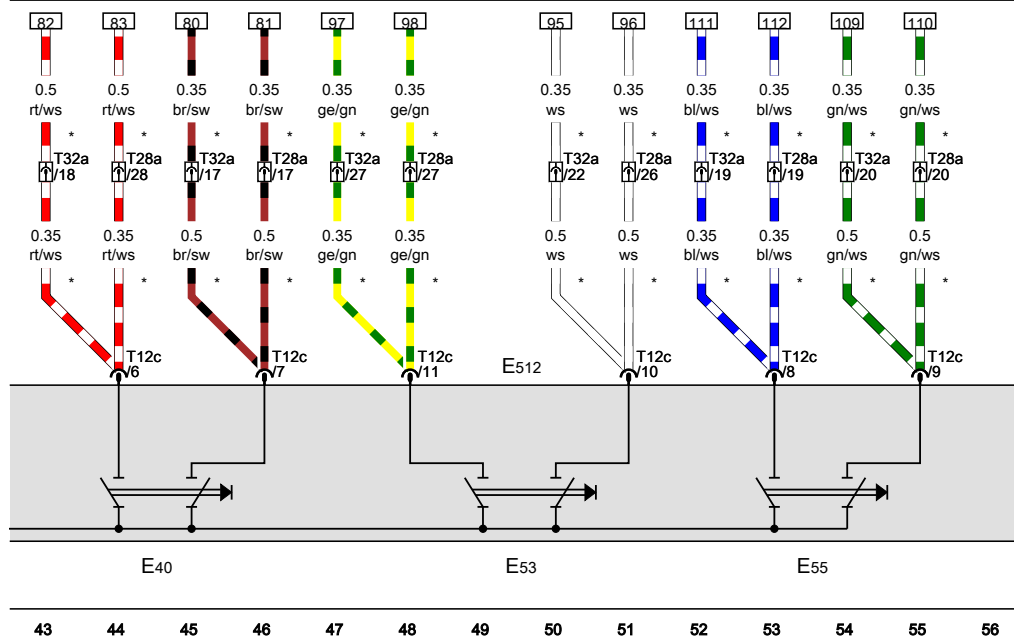
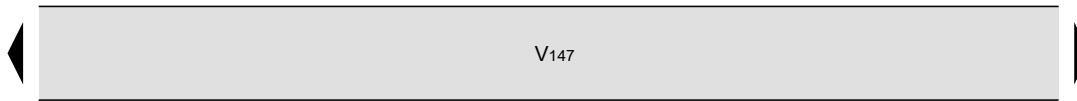
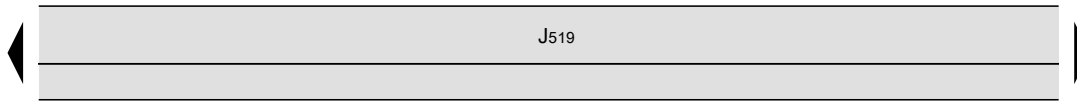
- (B340) Connection 1 (58d), in main wiring harness
- (R81) Connection 1 (58d), in driver side door wiring harness
- (R82) Positive connection 1 (15a), in driver side door wiring harness
- * According to equipment

- ws = white
- sw = black
- ro = red
- rt = red
- br = brown
- gn = green
- bl = blue
- gr = grey
- li = purple
- vi = purple
- ge = yellow
- or = orange
- rs = pink

1NH0-0640402161

Operating unit for window regulator in driver door, Driver side window regulator motor

- E40 Front left window regulator switch
- E53 Rear left window regulator switch, in driver door
- E55 Rear right window regulator switch, in driver door
- E512 Operating unit for window regulator in driver door
- J519 Onboard supply control unit
- T12c 12-pin connector
- T28a 28-pin connector, on right A-pillar
- T32a 32-pin connector, on right A-pillar
- V147 Driver side window regulator motor
- * According to equipment



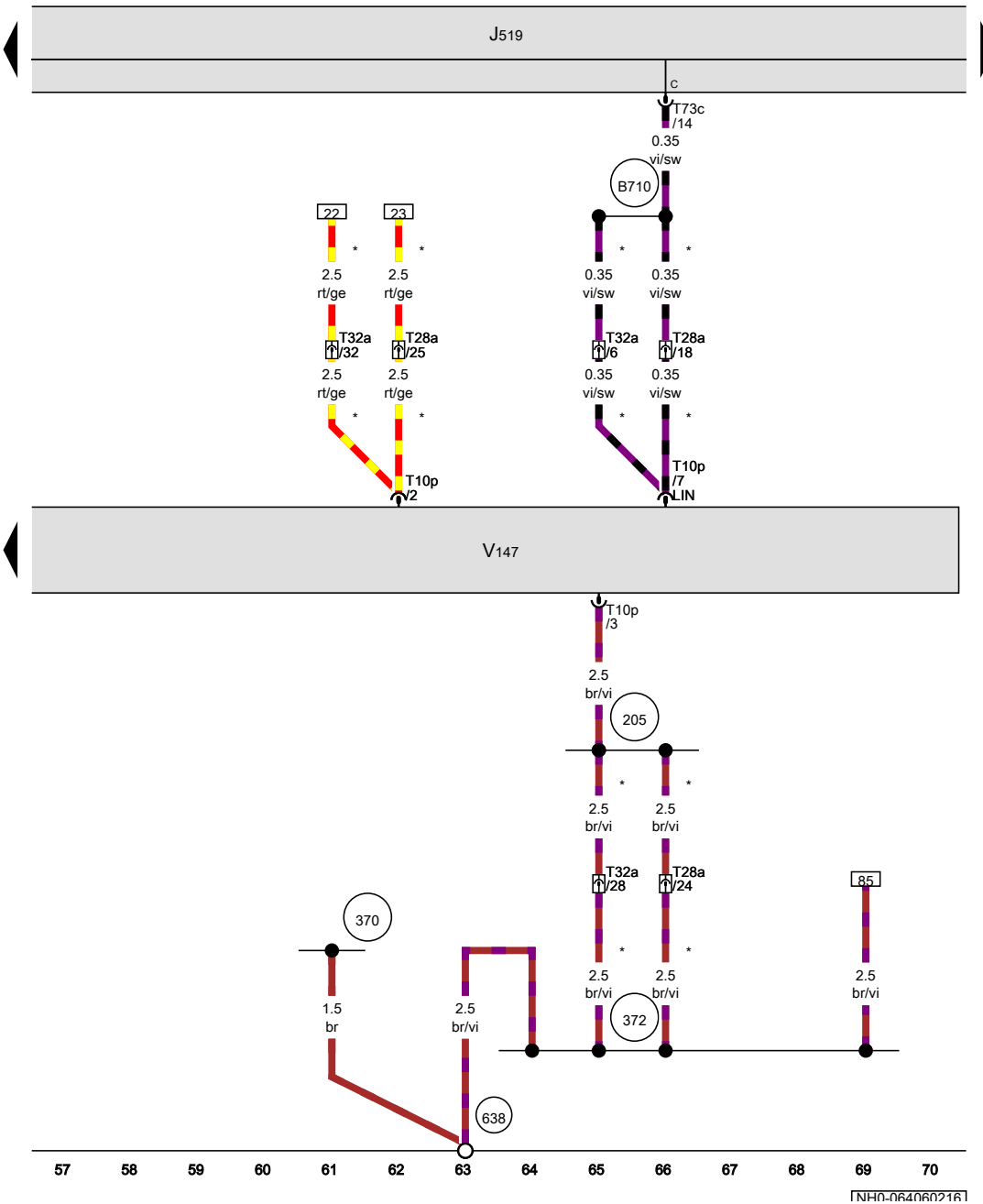
- ws = white
- sw = black
- ro = red
- rt = red
- br = brown
- gn = green
- bl = blue
- gr = grey
- li = purple
- vi = purple
- ge = yellow
- or = orange
- rs = pink

[NH0-064050216]

Driver side window regulator motor

- J519 Onboard supply control unit
- T10p 10-pin connector
- T28a 28-pin connector, on right A-pillar
- T32a 32-pin connector, on right A-pillar
- T73c 73-pin connector, black
- V147 Driver side window regulator motor

- (205) Earth connection, in driver door wiring harness
- (370) Earth connection 5, in main wiring harness
- (372) Earth connection 7, in main wiring harness
- (638) Earth point, on right A-pillar
- (B710) Connection 5 (LIN bus) in main wiring harness
- * According to equipment



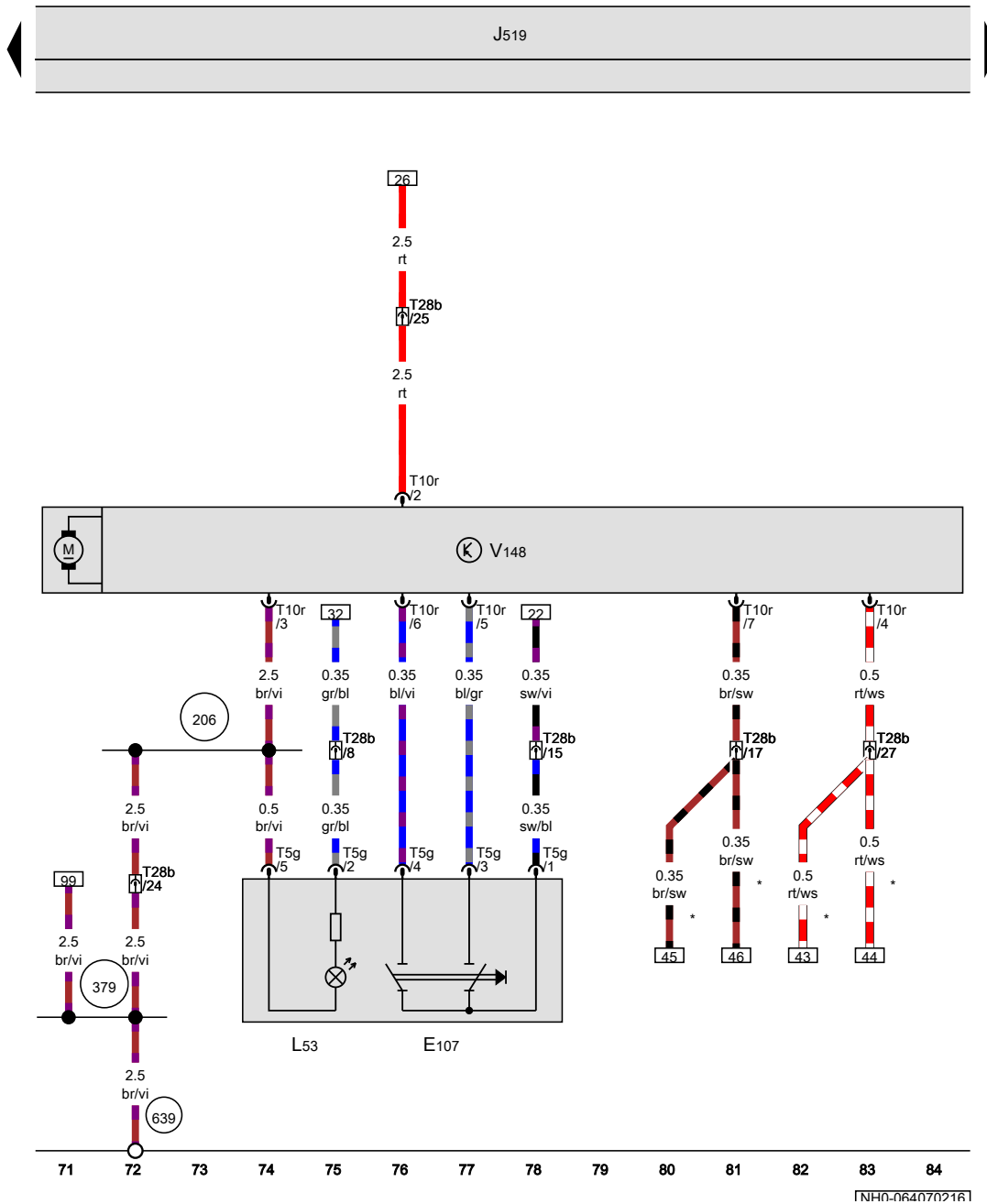
- ws = white
- sw = black
- ro = red
- rt = red
- br = brown
- gn = green
- bl = blue
- gr = grey
- li = purple
- vi = purple
- ge = yellow
- or = orange
- rs = pink

1NH0-064060216

Window regulator switch in front passenger door, Front passenger side window regulator motor

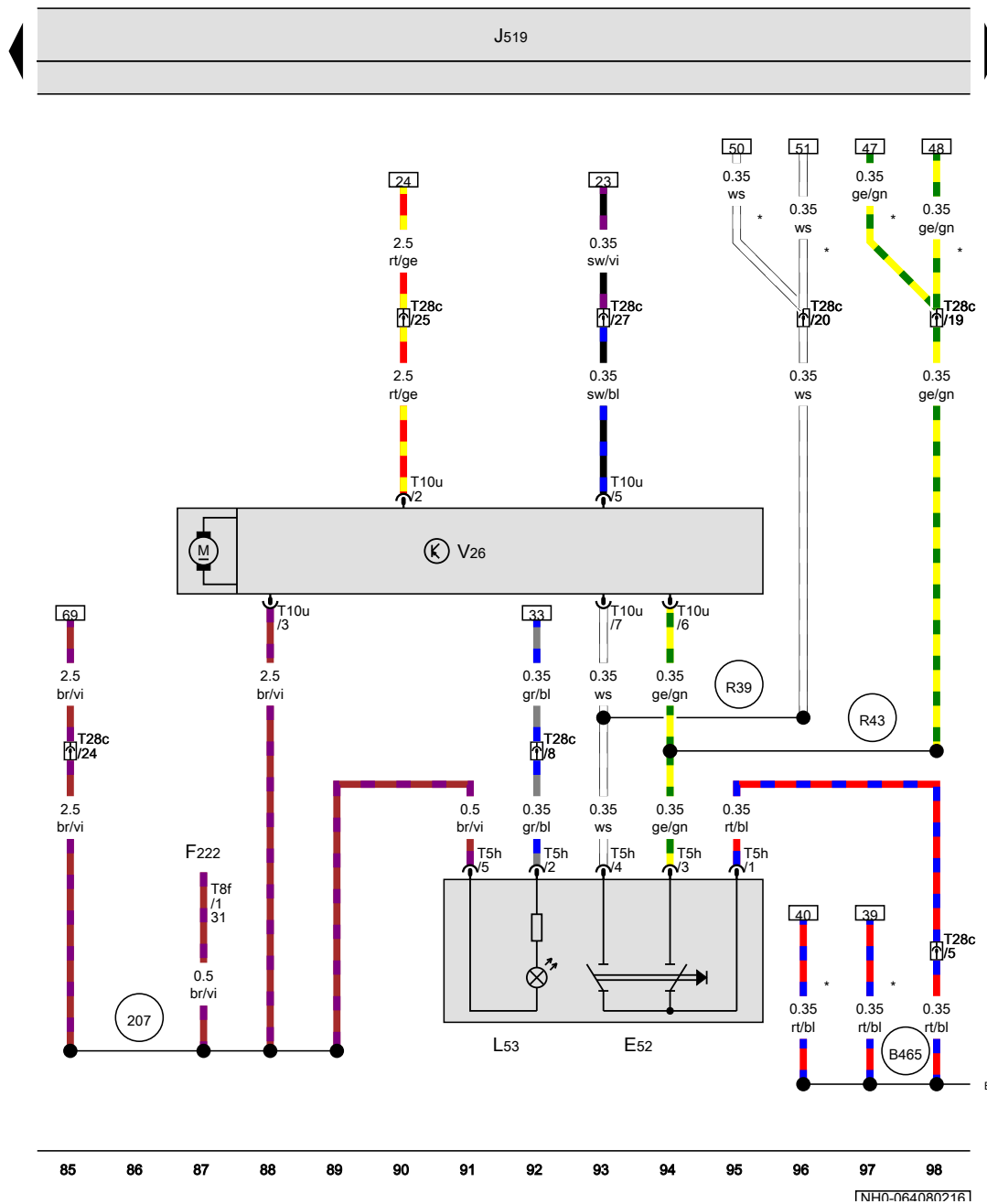
- E107 Window regulator switch in front passenger door
- J519 Onboard supply control unit
- L53 Window regulator switch illumination bulb
- T5g 5-pin connector
- T10r 10-pin connector
- T28b 28-pin connector, on left A-pillar
- V148 Front passenger side window regulator motor

- 206 Earth connection, in front passenger door wiring harness
- 379 Earth connection 14, in main wiring harness
- 639 Earth point, left A-pillar
- * According to equipment



- ws = white
- sw = black
- ro = red
- rt = red
- br = brown
- gn = green
- bl = blue
- gr = grey
- li = purple
- vi = purple
- ge = yellow
- or = orange
- rs = pink

[NHN-064070216]



Rear left window regulator switch, in door, Rear left window regulator motor

- E52 Rear left window regulator switch, in door
- F222 Rear left central locking lock unit
- J519 Onboard supply control unit
- L53 Window regulator switch illumination bulb
- T5h 5-pin connector
- T8f 8-pin connector
- T10u 10-pin connector
- T28c 28-pin connector, on left B-pillar
- V26 Rear left window regulator motor

- (207) Earth connection, in rear left door wiring harness
- (B465) Connection 1, in main wiring harness
- (R39) Connection 1 (window regulator), in rear left door wiring harness
- (R43) Connection 2 (window regulator), in rear left door wiring harness

* According to equipment

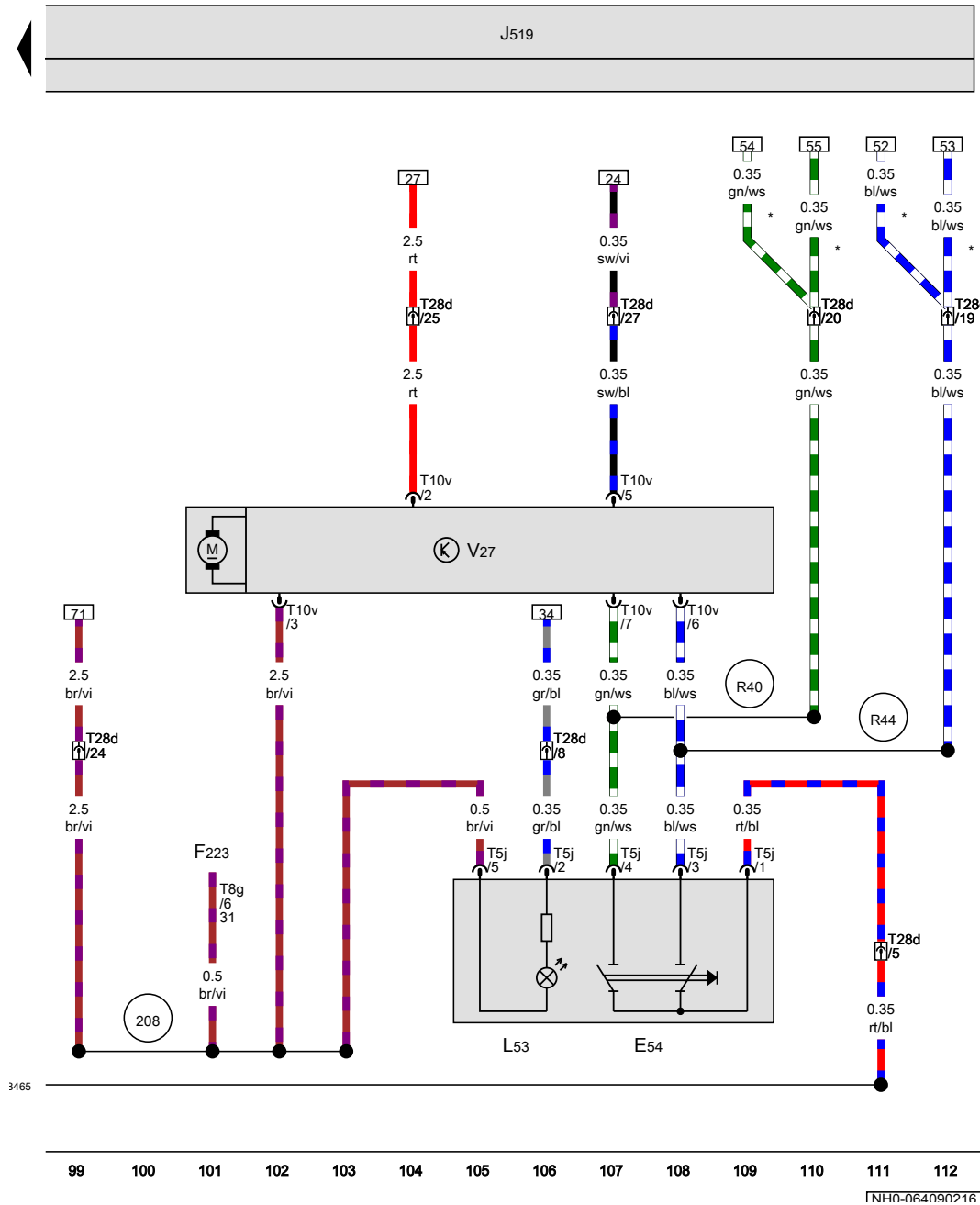
- ws = white
- sw = black
- ro = red
- rt = red
- br = brown
- gn = green
- bl = blue
- gr = grey
- li = purple
- vi = purple
- ge = yellow
- or = orange
- rs = pink

Rear right window regulator switch, in door, Rear right window regulator motor

- E54 Rear right window regulator switch, in door
- F223 Rear right central locking lock unit
- J519 Onboard supply control unit
- L53 Window regulator switch illumination bulb
- T5j 5-pin connector
- T8g 8-pin connector
- T10v 10-pin connector
- T28d 28-pin connector, on right B-pillar
- V27 Rear right window regulator motor

- (208) Earth connection, in rear right door wiring harness
- (B465) Connection 1, in main wiring harness
- (R40) Connection 1 (window regulator), in rear right door wiring harness
- (R44) Connection 2 (window regulator), in rear right door wiring harness

* According to equipment



- ws = white
- sw = black
- ro = red
- rt = red
- br = brown
- gn = green
- bl = blue
- gr = grey
- li = purple
- vi = purple
- ge = yellow
- or = orange
- rs = pink

3465

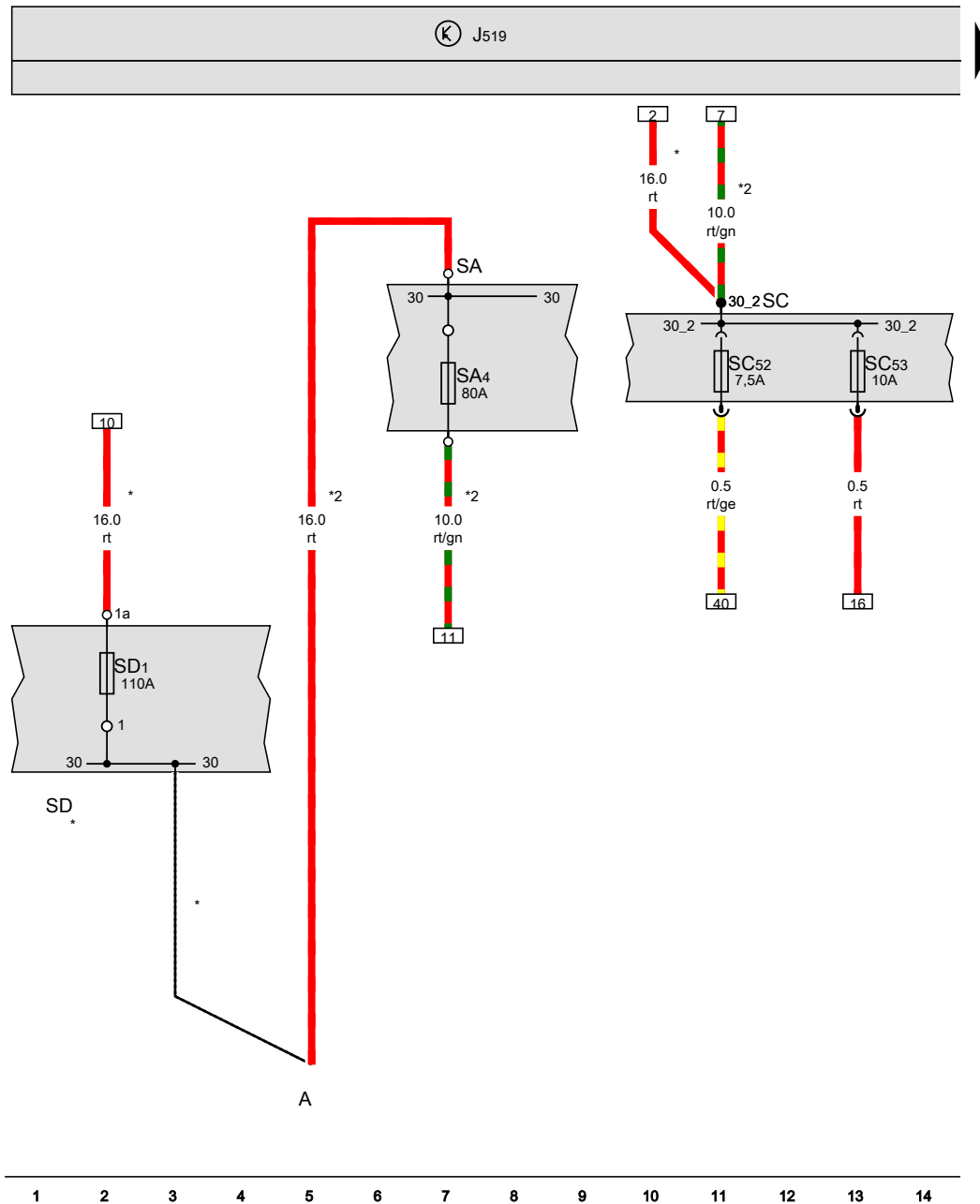
1NH0-064090216

Entry and start authorisation , (L0R)

From May 2015

Battery, Fuse holder A, Fuse holder C, Fuse holder D

- A Battery
- J519 Onboard supply control unit
- SA Fuse holder A
- SD1 Fuse 1 on fuse holder D
- SA4 Fuse 4 in fuse holder A
- SC Fuse holder C
- SC52 Fuse 52 on fuse holder C
- SC53 Fuse 53 on fuse holder C
- SD Fuse holder D
- * Only models with battery in luggage compartment
- *2 Only models with battery in engine compartment

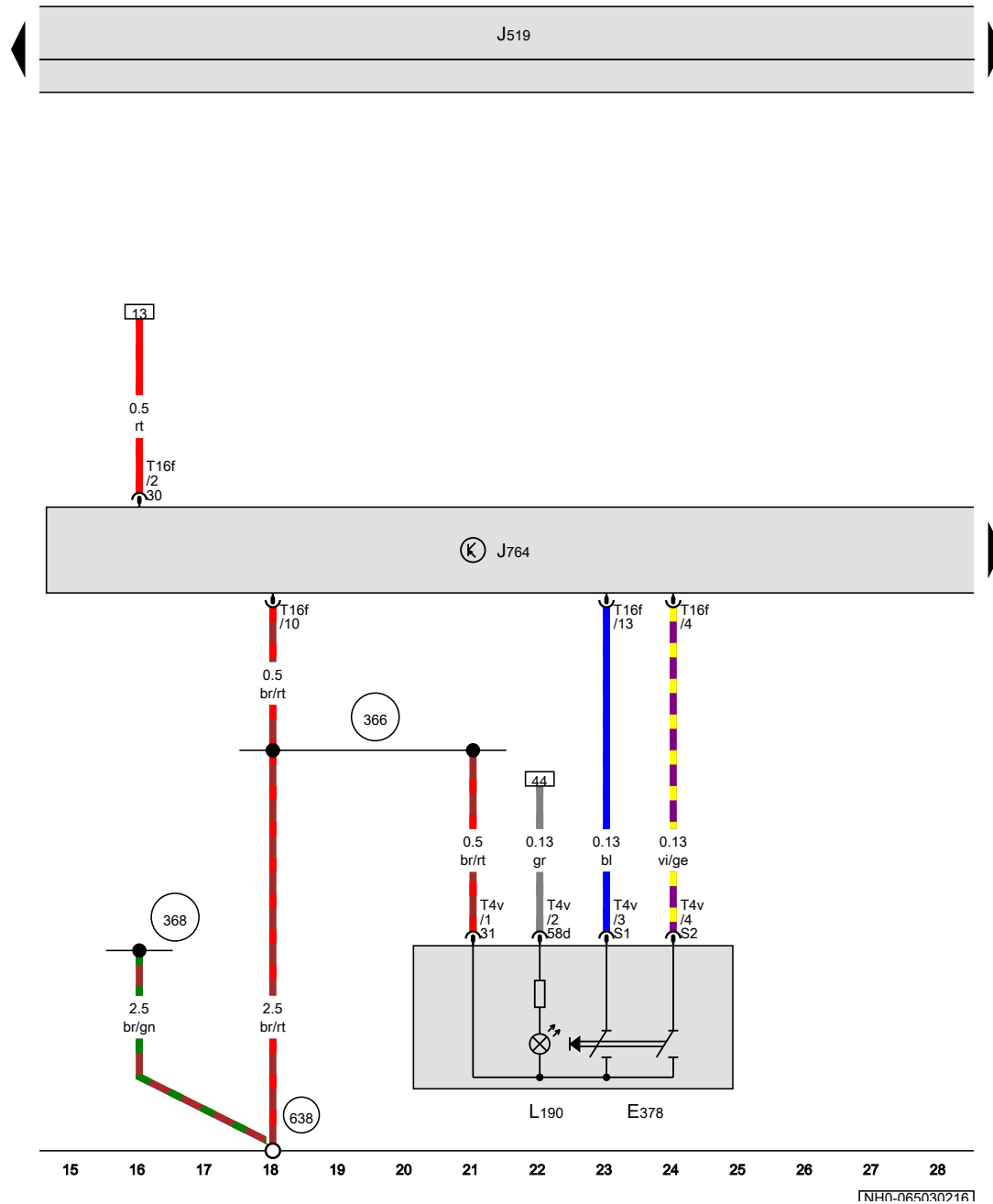


[NH0-065020216]

Starter button, Control unit for electronic steering column lock

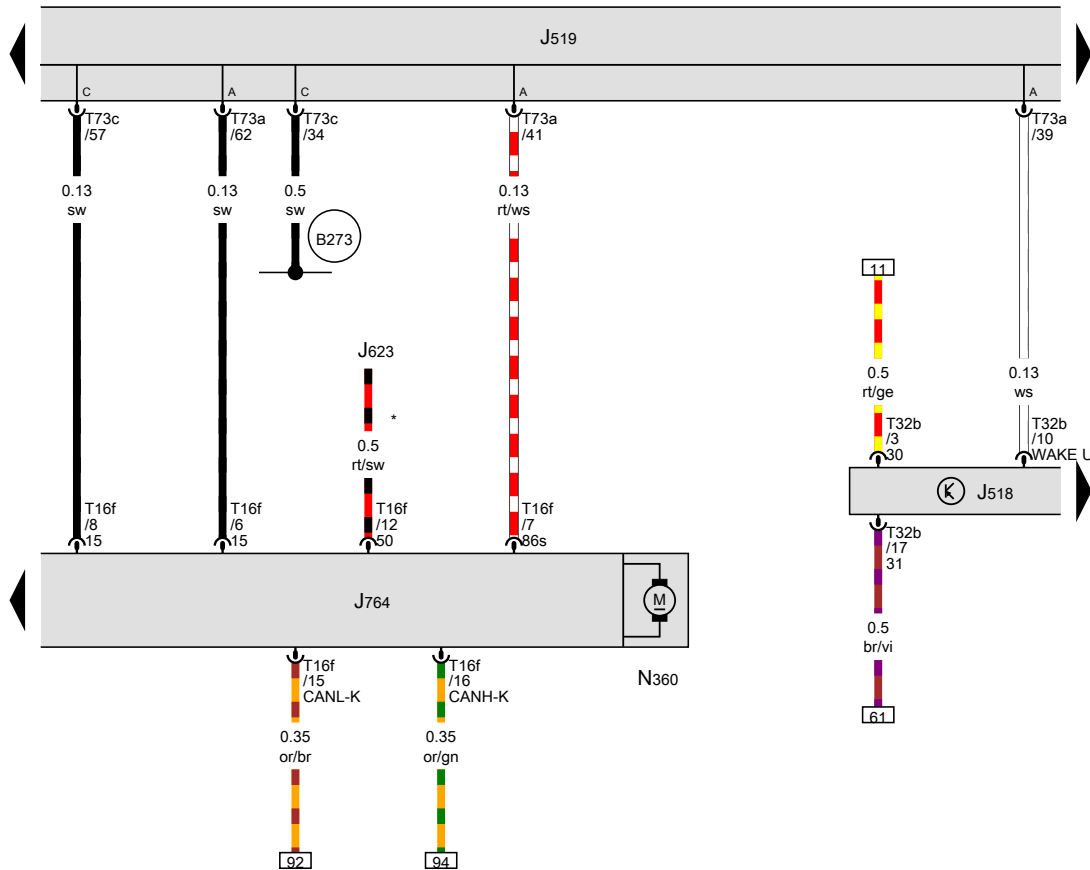
- E378 Starter button
- J519 Onboard supply control unit
- J764 Control unit for electronic steering column lock
- L190 Ignition and starter button illumination bulb
- T4v 4-pin connector
- T16f 16-pin connector

- 366 Earth connection 1, in main wiring harness
- 368 Earth connection 3, in main wiring harness
- 638 Earth point, on right A-pillar



- ws = white
- sw = black
- ro = red
- rt = red
- br = brown
- gn = green
- bl = blue
- gr = grey
- li = purple
- vi = purple
- ge = yellow
- or = orange
- rs = pink

[NH0-0650302161]



Entry and start authorisation control unit, Control unit for electronic steering column lock, Steering column lock control element

- J518 Entry and start authorisation control unit
- J519 Onboard supply control unit
- J623 Engine control unit
- J764 Control unit for electronic steering column lock
- N360 Steering column lock control element
- T16f 16-pin connector
- T32b 32-pin connector
- T73a 73-pin connector, black
- T73c 73-pin connector, black
- B273** Positive connection (15), in main wiring harness
- * see applicable current flow diagram for engine

- ws = white
- sw = black
- ro = red
- rt = red
- br = brown
- gn = green
- bl = blue
- gr = grey
- li = purple
- vi = purple
- ge = yellow
- or = orange
- rs = pink

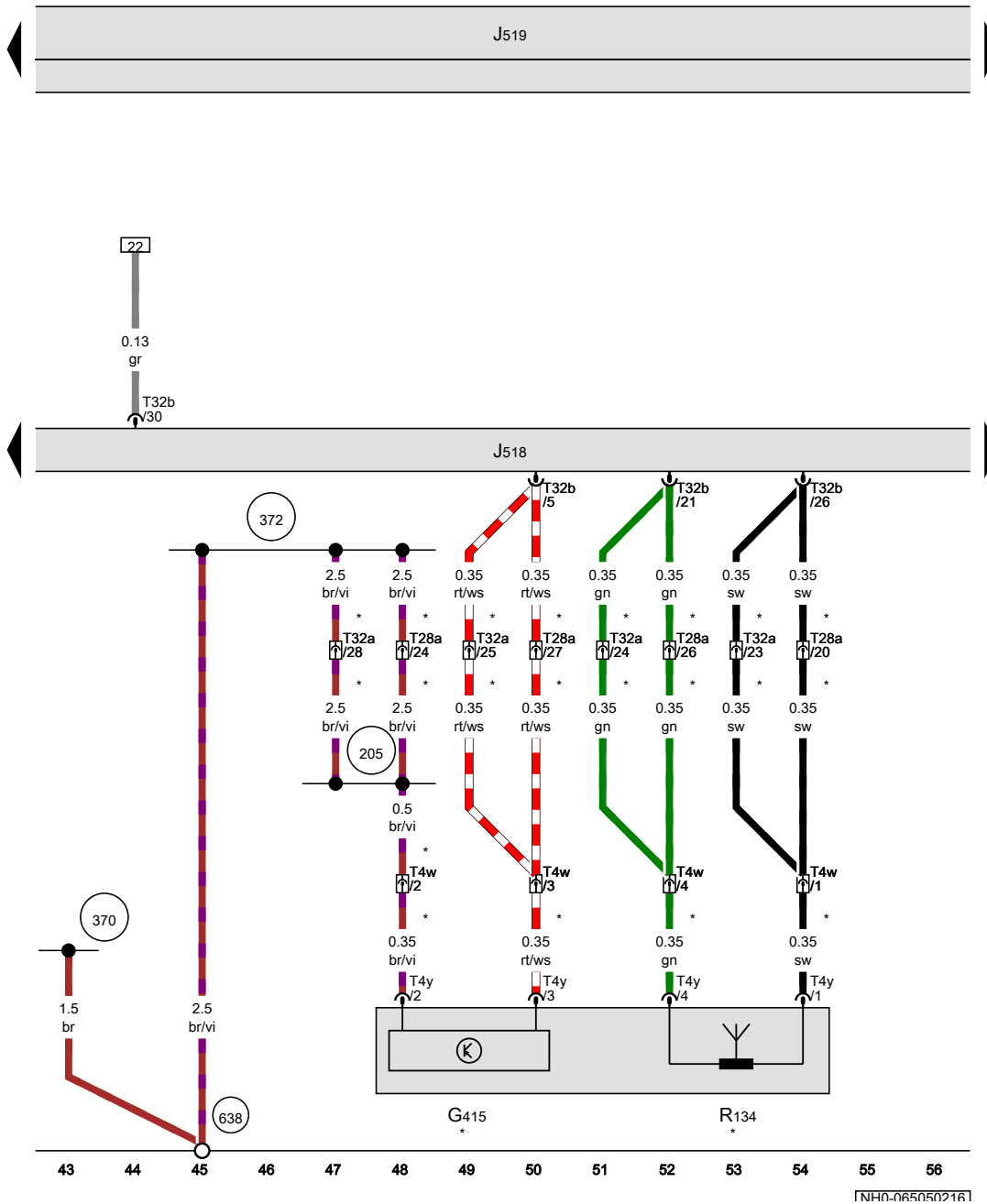
29 30 31 32 33 34 35 36 37 38 39 40 41 42

[NH0-065040216]

Driver door exterior handle contact sensor, Entry and start authorisation control unit, Driver side aerial for entry and start system

- G415 Driver door exterior handle contact sensor
- J518 Entry and start authorisation control unit
- J519 Onboard supply control unit
- R134 Driver side aerial for entry and start system
- T4w 4-pin connector, in driver door
- T4y 4-pin connector
- T28a 28-pin connector, on right A-pillar
- T32a 32-pin connector, on right A-pillar
- T32b 32-pin connector

- 205 Earth connection, in driver door wiring harness
- 370 Earth connection 5, in main wiring harness
- 372 Earth connection 7, in main wiring harness
- 638 Earth point, on right A-pillar
- * According to equipment



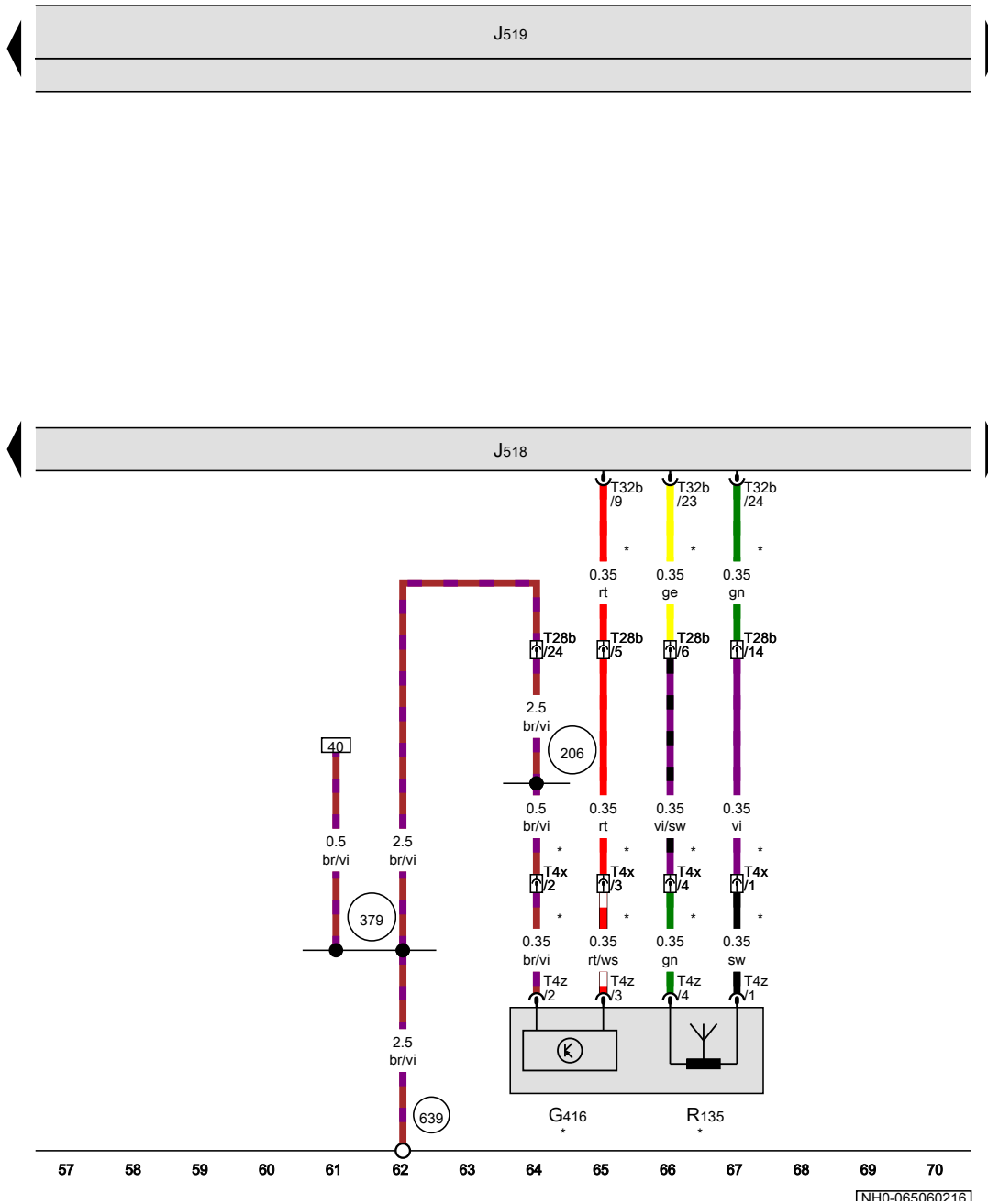
- ws = white
- sw = black
- ro = red
- rt = red
- br = brown
- gn = green
- bl = blue
- gr = grey
- li = purple
- vi = purple
- ge = yellow
- or = orange
- rs = pink

[NH0-065050216]

Front passenger door exterior handle contact sensor, Entry and start authorisation control unit, Passenger side aerial for entry and start system

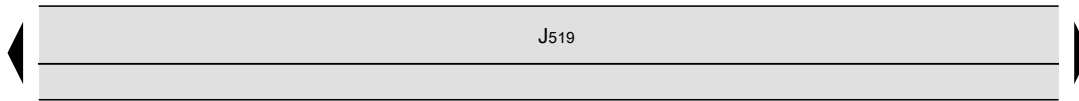
- G416 Front passenger door exterior handle contact sensor
- J518 Entry and start authorisation control unit
- J519 Onboard supply control unit
- R135 Passenger side aerial for entry and start system
- T4x 4-pin connector, in front passenger door
- T4z 4-pin connector
- T28b 28-pin connector, on left A-pillar
- T32b 32-pin connector

- 206 Earth connection, in front passenger door wiring harness
- 379 Earth connection 14, in main wiring harness
- 639 Earth point, left A-pillar
- * According to equipment



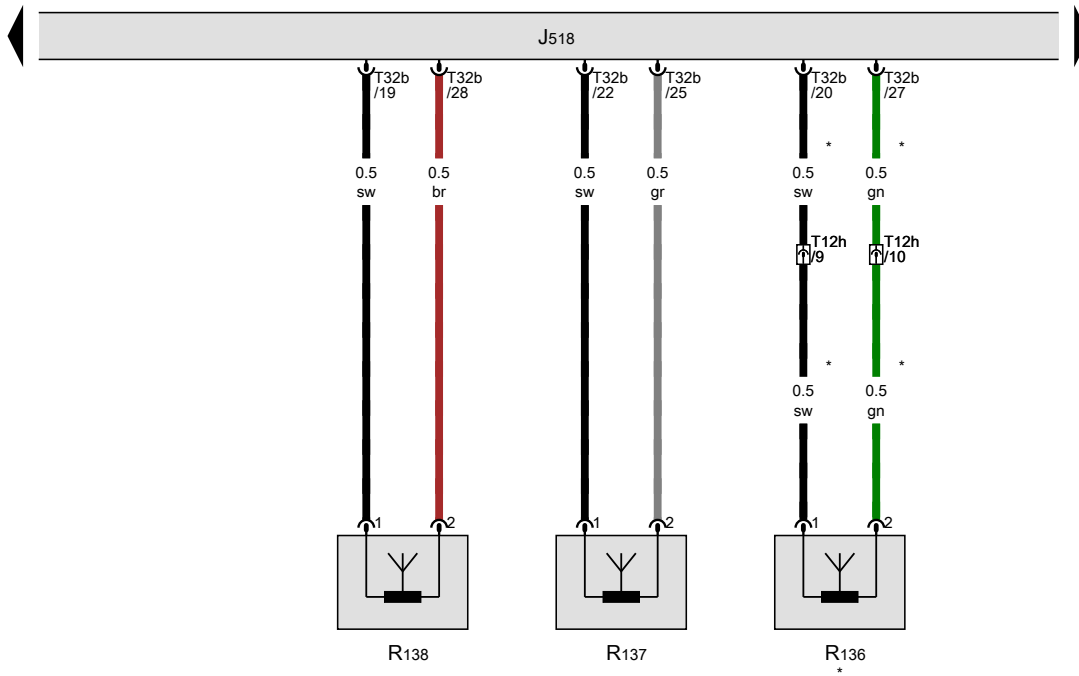
- ws = white
- sw = black
- ro = red
- rt = red
- br = brown
- gn = green
- bl = blue
- gr = grey
- li = purple
- vi = purple
- ge = yellow
- or = orange
- rs = pink

[NH0-065060216]



Entry and start authorisation control unit, Rear bumper aerial for entry and start system, Luggage compartment aerial for entry and start system, Interior aerial 1 for entry and start system

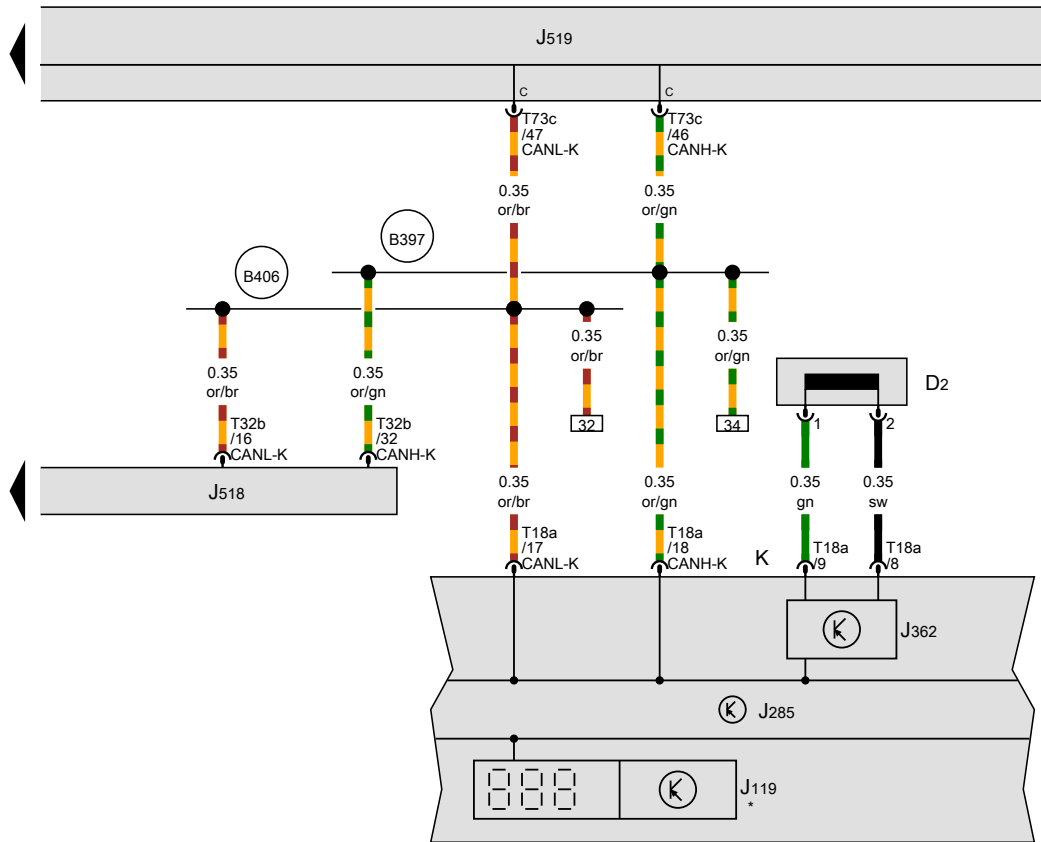
- J518 Entry and start authorisation control unit
- J519 Onboard supply control unit
- R136 Rear bumper aerial for entry and start system
- R137 Luggage compartment aerial for entry and start system
- R138 Interior aerial 1 for entry and start system
- T12h 12-pin connector, in luggage compartment, rear left
- T32b 32-pin connector
- * According to equipment



- ws = white
- sw = black
- ro = red
- rt = red
- br = brown
- gn = green
- bl = blue
- gr = grey
- li = purple
- vi = purple
- ge = yellow
- or = orange
- rs = pink

71 72 73 74 75 76 77 78 79 80 81 82 83 84

[NH0-065070216]



Immobiliser reader coil, Multifunction indicator, Immobiliser control unit, Entry and start authorisation control unit, Dash panel insert

- D2 Immobiliser reader coil
- J119 Multifunction indicator
- J285 Control unit in dash panel insert
- J362 Immobiliser control unit
- J518 Entry and start authorisation control unit
- J519 Onboard supply control unit
- K Dash panel insert
- T18a 18-pin connector
- T32b 32-pin connector
- T73c 73-pin connector, black
- B397 Connection 1 (convenience CAN bus, high), in main wiring harness
- B406 Connection 1 (convenience CAN bus, low), in main wiring harness
- * Only models with multifunction display

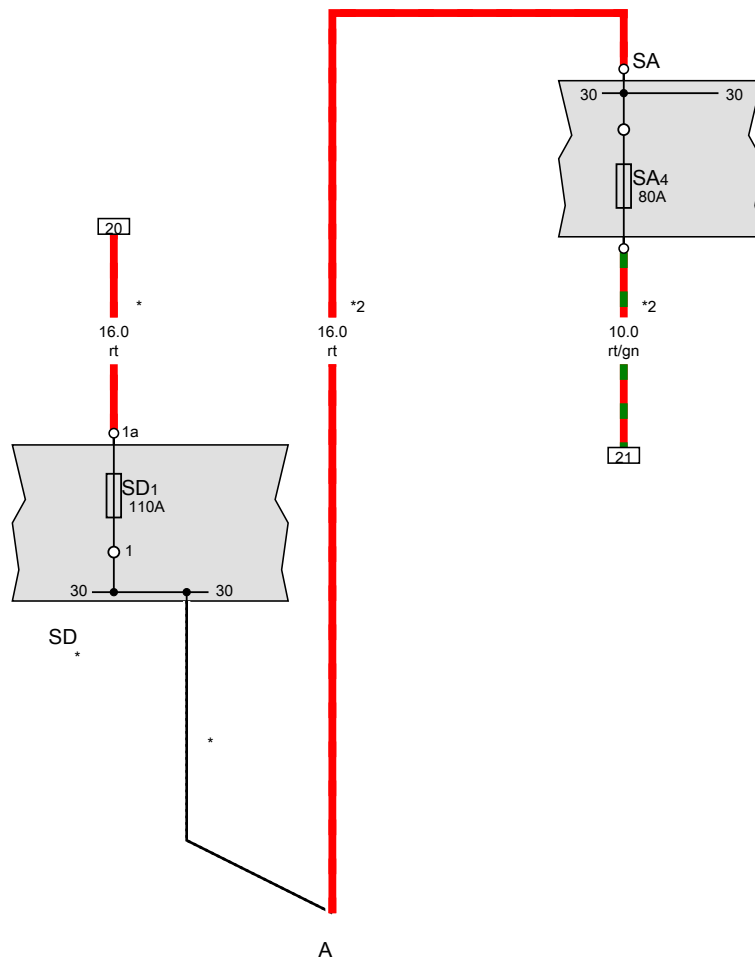
- ws = white
- sw = black
- ro = red
- rt = red
- br = brown
- gn = green
- bl = blue
- gr = grey
- li = purple
- vi = purple
- ge = yellow
- or = orange
- rs = pink

Electrically adjustable and heated exterior mirror , (LOR)

From May 2015

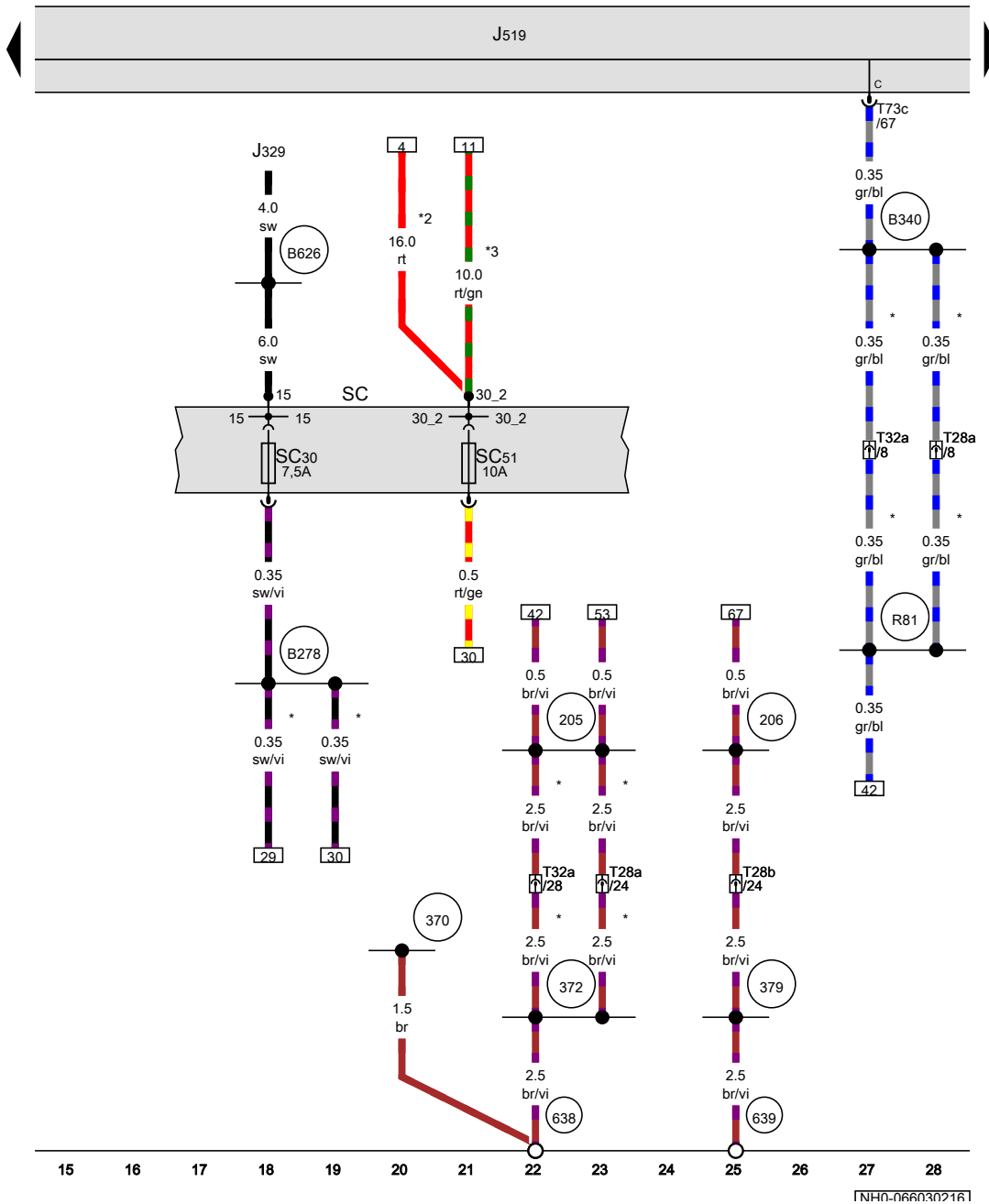
Battery, Fuse holder A, Fuse holder D

- A Battery
- J519 Onboard supply control unit
- SA Fuse holder A
- SD Fuse holder D
- SD1 Fuse 1 on fuse holder D
- SA4 Fuse 4 in fuse holder A
- * Only models with battery in luggage compartment
- *2 Only models with battery in engine compartment



- ws = white
- sw = black
- ro = red
- rt = red
- br = brown
- gn = green
- bl = blue
- gr = grey
- li = purple
- vi = purple
- ge = yellow
- or = orange
- rs = pink

[NH0-066020216]



Fuse holder C

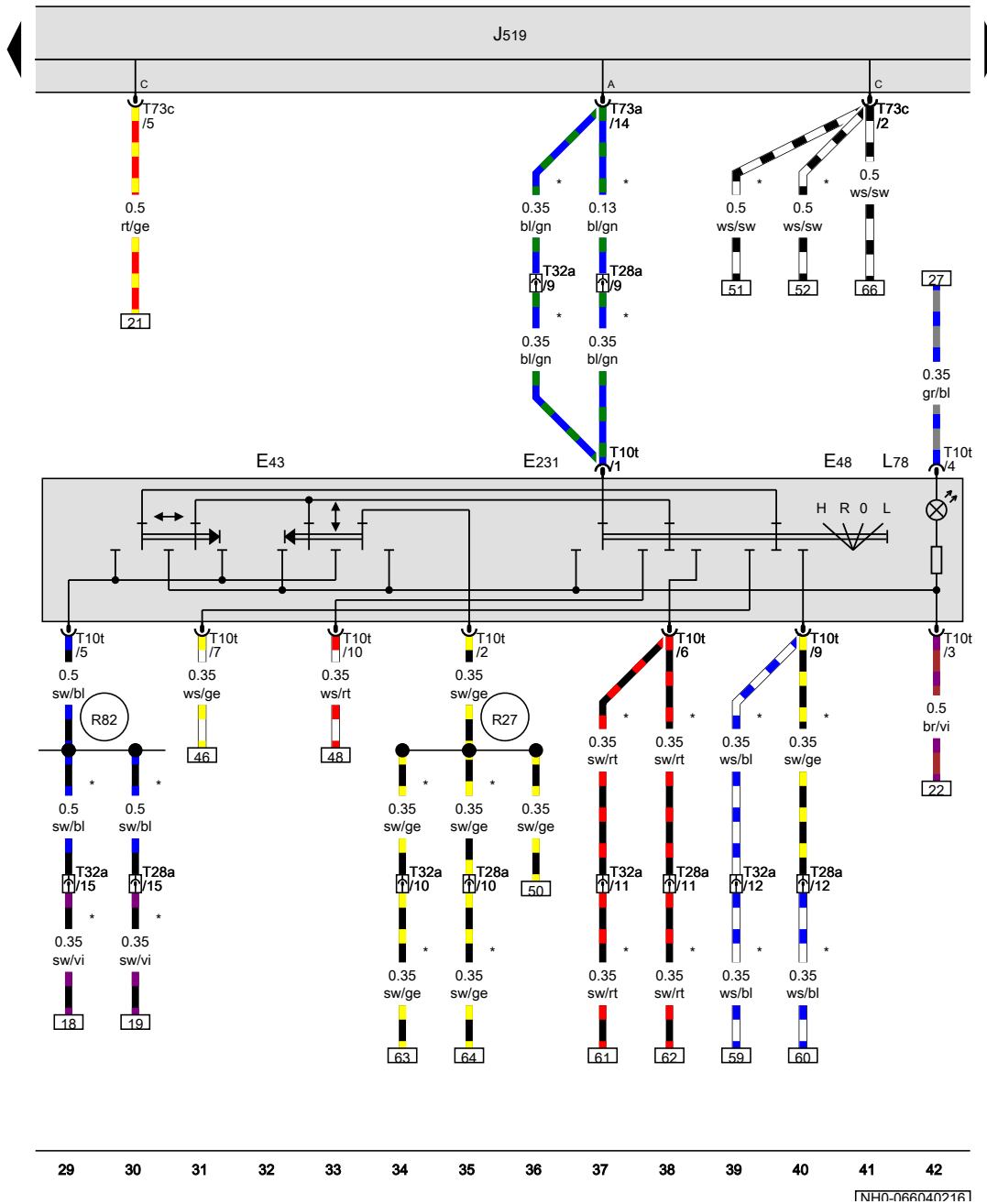
- J329 Terminal 15 voltage supply relay
- J519 Onboard supply control unit
- SC Fuse holder C
- SC30 Fuse 30 on fuse holder C
- SC51 Fuse 51 on fuse holder C
- T28a 28-pin connector, on right A-pillar
- T28b 28-pin connector, on left A-pillar
- T32a 32-pin connector, on right A-pillar
- T73c 73-pin connector, black

- 205 Earth connection, in driver door wiring harness
- 206 Earth connection, in front passenger door wiring harness
- 370 Earth connection 5, in main wiring harness
- 372 Earth connection 7, in main wiring harness
- 379 Earth connection 14, in main wiring harness
- 638 Earth point, on right A-pillar
- 639 Earth point, left A-pillar
- B278 Positive connection 2 (15a) in main wiring harness
- B340 Connection 1 (58d), in main wiring harness
- B626 Positive connection 2 (15), in main wiring harness
- R81 Connection 1 (58d), in driver side door wiring harness

- ws = white
- sw = black
- ro = red
- rt = red
- br = brown
- gn = green
- bl = blue
- gr = grey
- li = purple
- vi = purple
- ge = yellow
- or = orange
- rs = pink

- * According to equipment
- *2 Only models with battery in luggage compartment
- *3 Only models with battery in engine compartment

[NH0-066030216]



Mirror adjustment switch

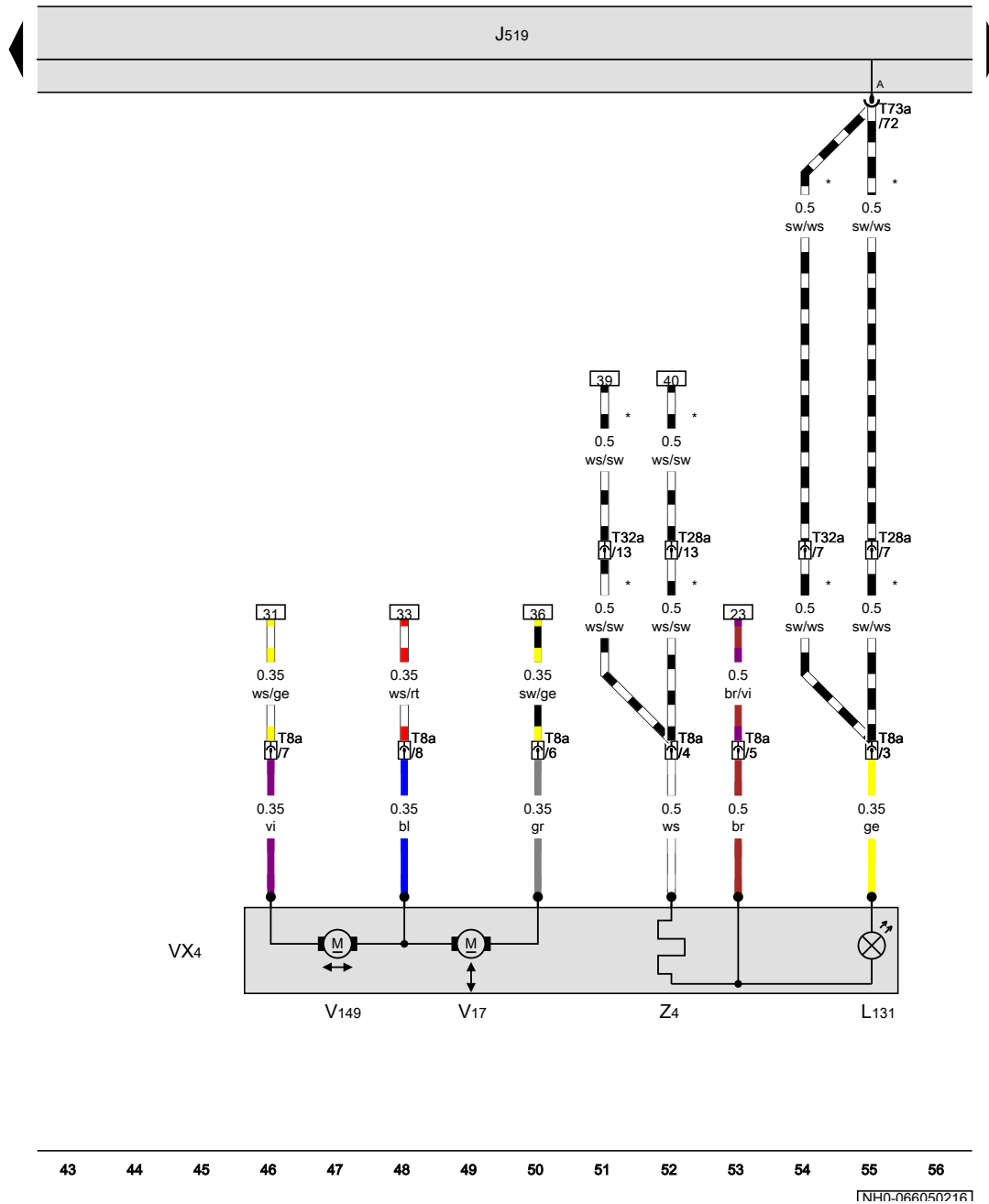
- E43 Mirror adjustment switch
- E48 Mirror adjustment changeover switch
- E231 Exterior mirror heater button
- J519 Onboard supply control unit
- L78 Mirror adjustment switch illumination bulb
- T10t 10-pin connector
- T28a 28-pin connector, on right A-pillar
- T32a 32-pin connector, on right A-pillar
- T73a 73-pin connector, black
- T73c 73-pin connector, black

- R27 Connection (mirror adjustment), in driver door wiring harness
- R82 Positive connection 1 (15a), in driver side door wiring harness
- * According to equipment

- ws = white
- sw = black
- ro = red
- rt = red
- br = brown
- gn = green
- bl = blue
- gr = grey
- li = purple
- vi = purple
- ge = yellow
- or = orange
- rs = pink

Driver side exterior mirror

- J519 Onboard supply control unit
- L131 Driver side turn signal repeater bulb
- T8a 8-pin connector
- T28a 28-pin connector, on right A-pillar
- T32a 32-pin connector, on right A-pillar
- T73a 73-pin connector, black
- VX4 Driver side exterior mirror
- V17 Driver side mirror adjustment motor 2
- V149 Driver side mirror adjustment motor
- Z4 Heated exterior mirror on driver side
- * According to equipment

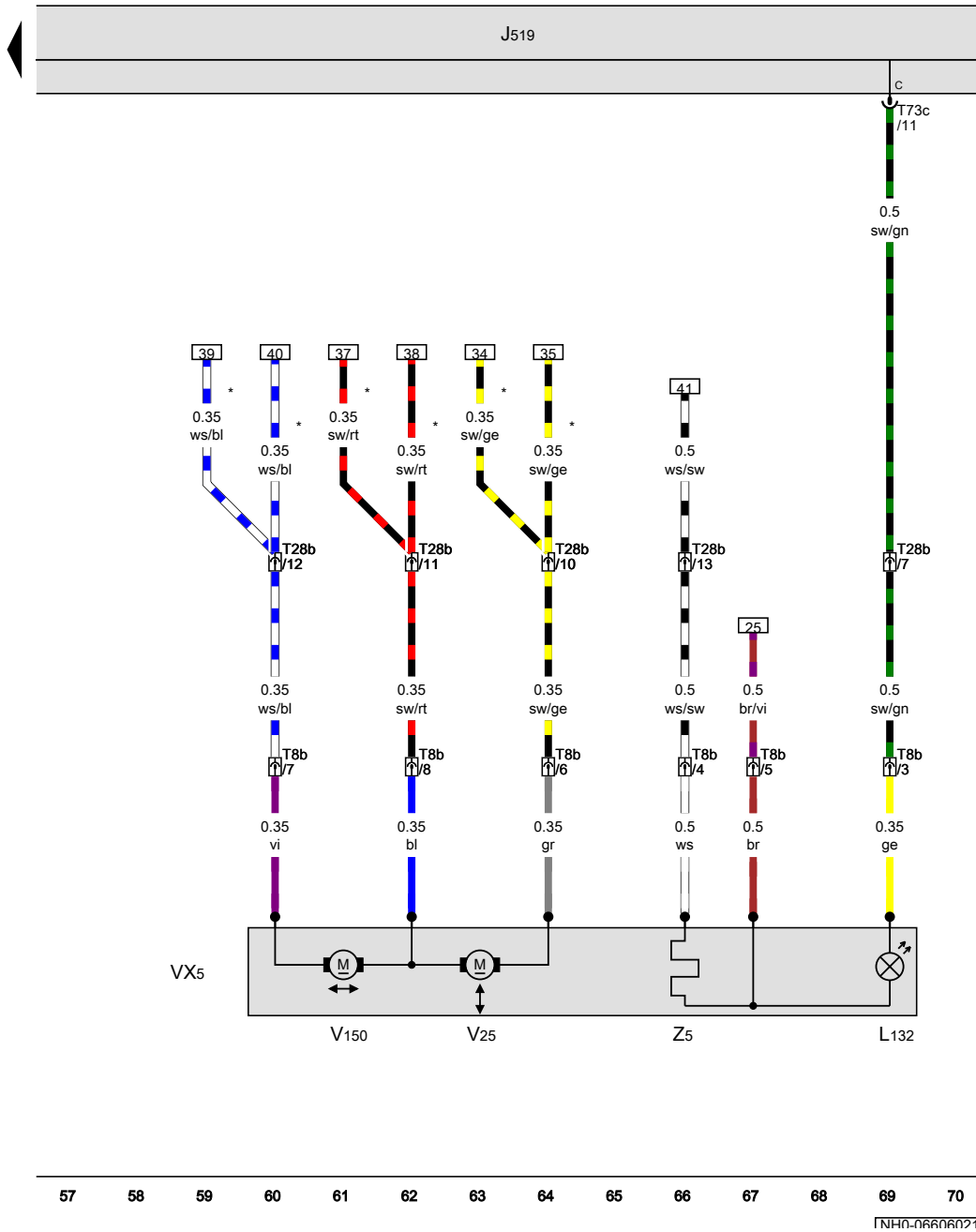


43 44 45 46 47 48 49 50 51 52 53 54 55 56

[NH0-066050216]

Front passenger side exterior mirror

- J519 Onboard supply control unit
- L132 Front passenger side turn signal repeater bulb
- T8b 8-pin connector
- T28b 28-pin connector, on left A-pillar
- T73c 73-pin connector, black
- VX5 Front passenger side exterior mirror
- V25 Front passenger side mirror adjustment motor 2
- V150 Front passenger side mirror adjustment motor
- Z5 Heated exterior mirror on front passenger side
- * According to equipment



- ws = white
- sw = black
- ro = red
- rt = red
- br = brown
- gn = green
- bl = blue
- gr = grey
- li = purple
- vi = purple
- ge = yellow
- or = orange
- rs = pink

57 58 59 60 61 62 63 64 65 66 67 68 69 70

[NH0-066060216]

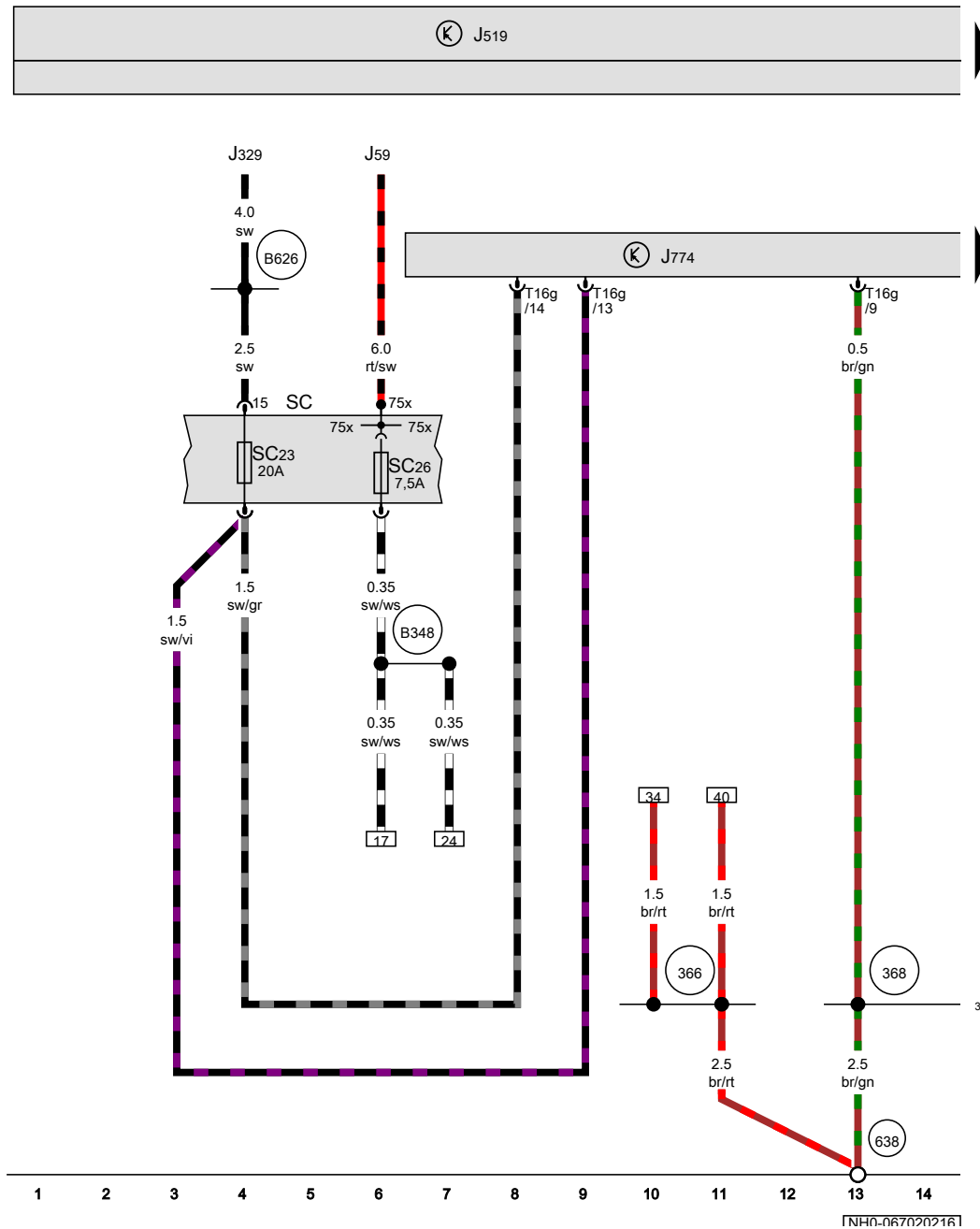
Seat heating , (L0R)

From May 2015

Heated front seats control unit, Fuse holder C

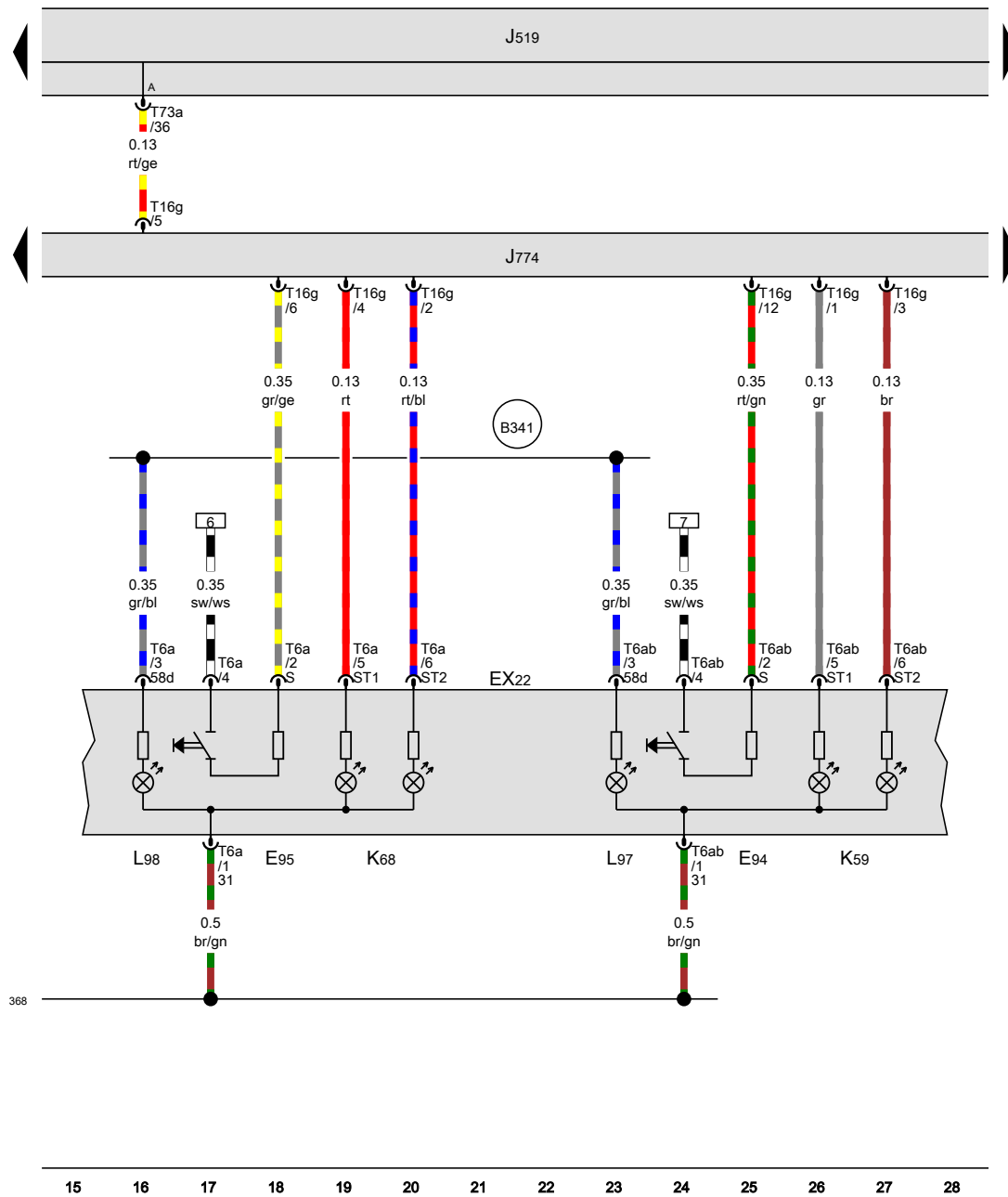
- J59 X-contact relief relay
- J329 Terminal 15 voltage supply relay
- J519 Onboard supply control unit
- J774 Heated front seats control unit, behind dash panel, centre
- SC Fuse holder C
- SC23 Fuse 23 on fuse holder C
- SC26 Fuse 26 on fuse holder C
- T16g 16-pin connector

- 366 Earth connection 1, in main wiring harness
- 368 Earth connection 3, in main wiring harness
- 638 Earth point, on right A-pillar
- B348 Connection 1 (75a), in main wiring harness
- B626 Positive connection 2 (15), in main wiring harness



- ws = white
- sw = black
- ro = red
- rt = red
- br = brown
- gn = green
- bl = blue
- gr = grey
- li = purple
- vi = purple
- ge = yellow
- or = orange
- rs = pink

[NH0-067020216]



Centre switch module in dash panel, Heated driver seat regulator, Heated front passenger seat regulator, Heated front seats control unit

- EX22 Centre switch module in dash panel
- E94 Heated driver seat regulator
- E95 Heated front passenger seat regulator
- J519 Onboard supply control unit
- J774 Heated front seats control unit, behind dash panel, centre
- K59 Heated driver seat warning lamp
- K68 Heated front passenger seat warning lamp
- L97 Heated driver seat switch illumination bulb
- L98 Heated front passenger seat switch illumination bulb
- T6a 6-pin connector, red
- T6ab 6-pin connector, blue
- T16g 16-pin connector
- T73a 73-pin connector, black

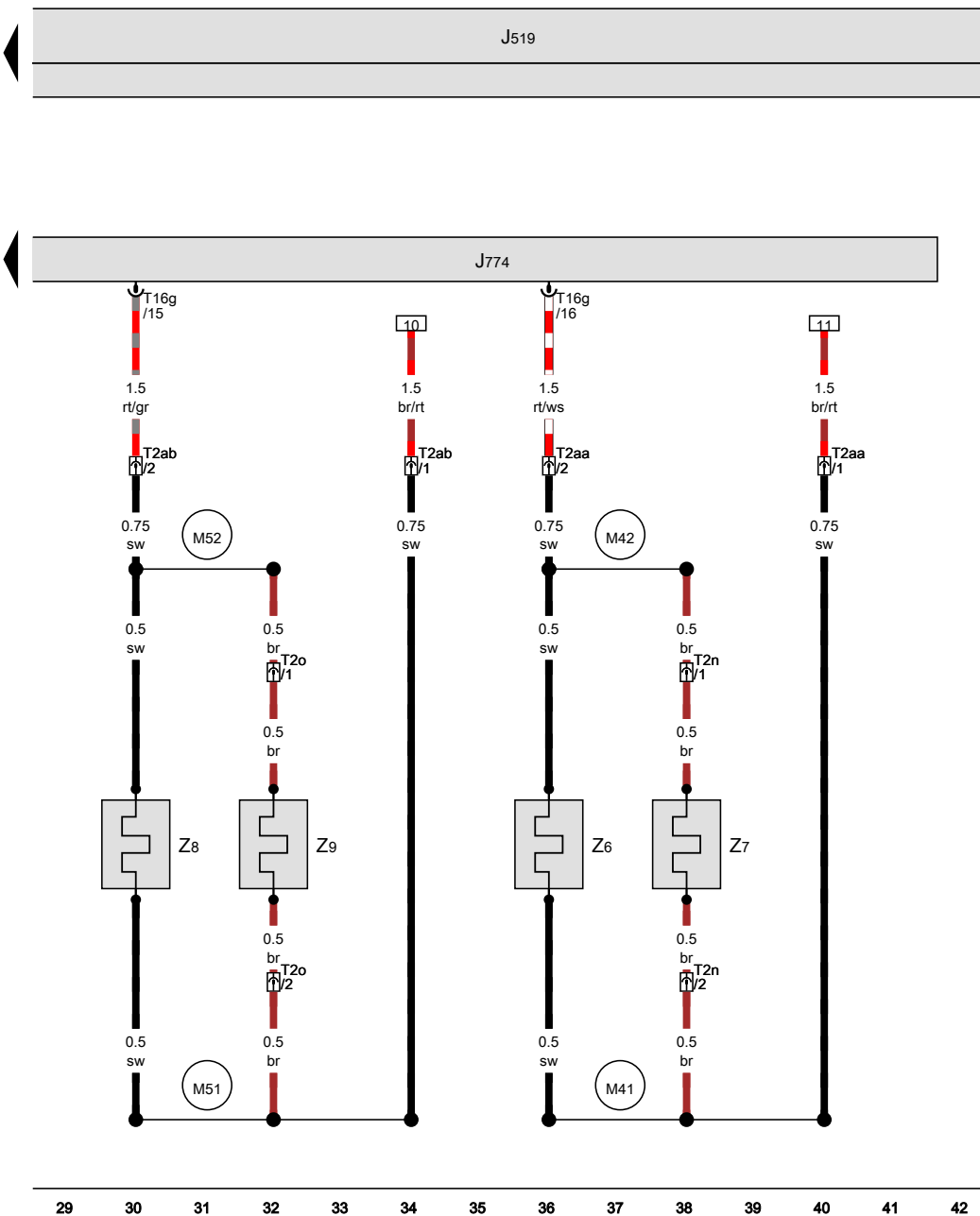
- 368 Earth connection 3, in main wiring harness
- B341 Connection 2 (58d), in main wiring harness

- ws = white
- sw = black
- ro = red
- rt = red
- br = brown
- gn = green
- bl = blue
- gr = grey
- li = purple
- vi = purple
- ge = yellow
- or = orange
- rs = pink

Heated front seats control unit, Heated seat cushion for driver seat, Heated backrest for driver seat, Heated seat cushion for front passenger seat, Heated backrest for front passenger seat

- J519 Onboard supply control unit
- J774 Heated front seats control unit, behind dash panel, centre
- T2aa 2-pin connector, under driver seat, red
- T2ab 2-pin connector, under front passenger seat, red
- T2n 2-pin connector, under driver seat
- T2o 2-pin connector, under front passenger seat
- T16g 16-pin connector
- Z6 Heated seat cushion for driver seat
- Z7 Heated backrest for driver seat
- Z8 Heated seat cushion for front passenger seat
- Z9 Heated backrest for front passenger seat

- M41 Connection 1, in driver seat wiring harness
- M42 Connection 2, in driver seat wiring harness
- M51 Connection 1, in front passenger seat wiring harness
- M52 Connection 2, in front passenger seat wiring harness



- ws = white
- sw = black
- ro = red
- rt = red
- br = brown
- gn = green
- bl = blue
- gr = grey
- li = purple
- vi = purple
- ge = yellow
- or = orange
- rs = pink

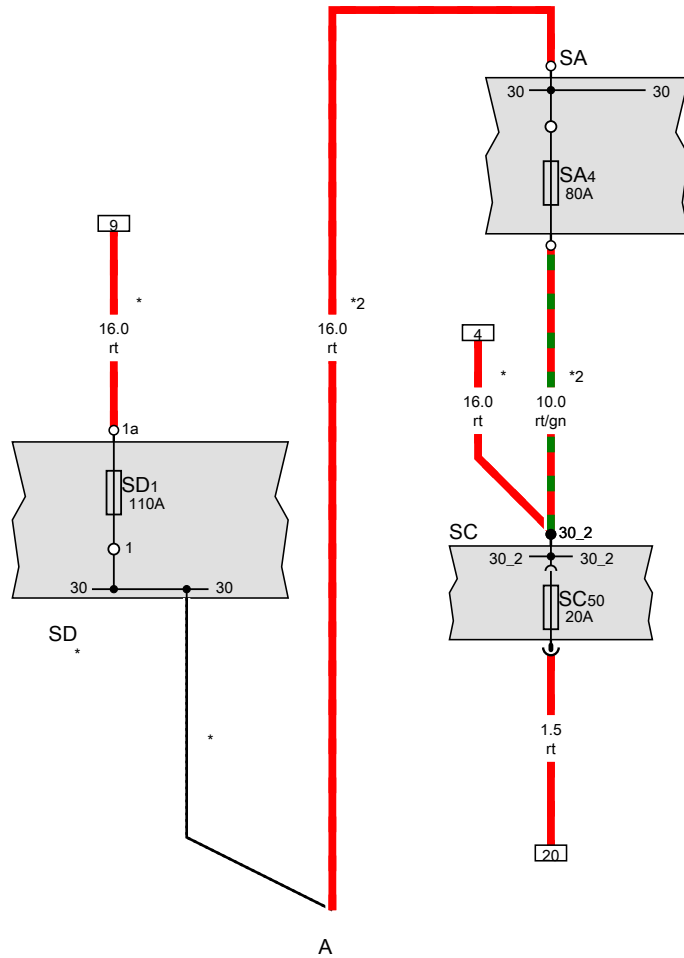
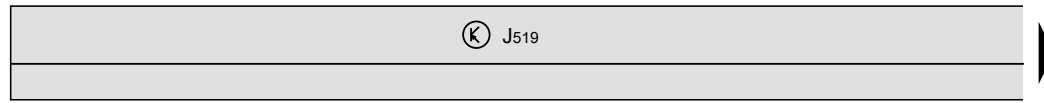
1NH0-0670402161

Preparation for radio , (L0R)

From May 2015

Battery, Fuse holder A, Fuse holder C, Fuse holder D

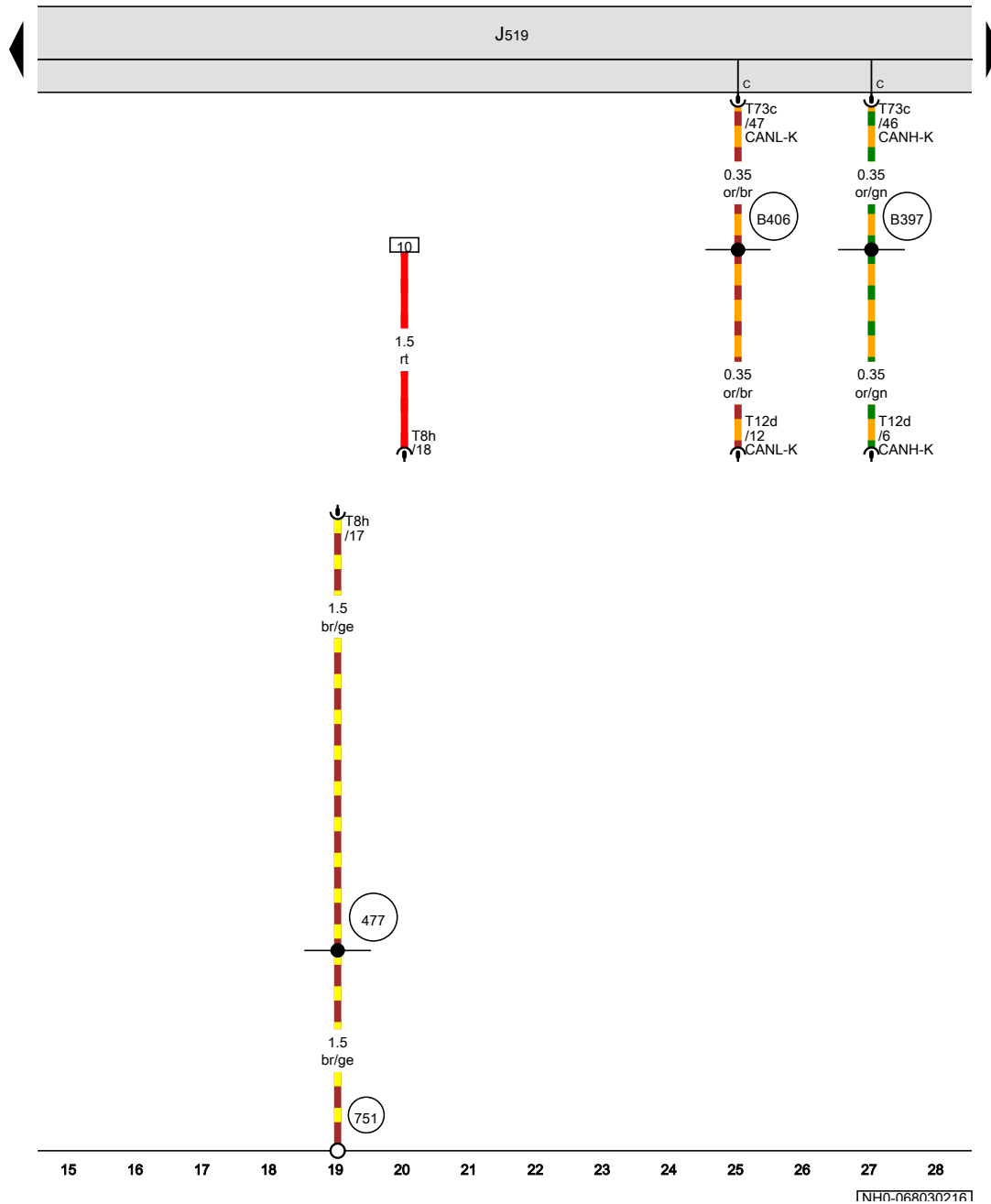
- A Battery
- J519 Onboard supply control unit
- SA Fuse holder A
- SD1 Fuse 1 on fuse holder D
- SA4 Fuse 4 in fuse holder A
- SC Fuse holder C
- SC50 Fuse 50 on fuse holder C
- SD Fuse holder D
- * Only models with battery in luggage compartment
- *2 Only models with battery in engine compartment



- ws = white
- sw = black
- ro = red
- rt = red
- br = brown
- gn = green
- bl = blue
- gr = grey
- li = purple
- vi = purple
- ge = yellow
- or = orange
- rs = pink

1 2 3 4 5 6 7 8 9 10 11 12 13 14

[NH0-068020216]

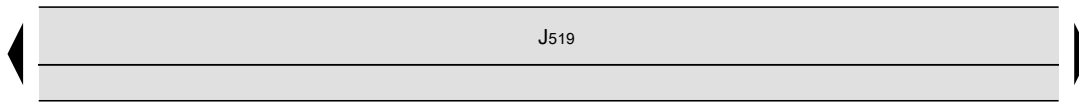


- J519 Onboard supply control unit
- T8h 8-pin connector, black
- T12d 12-pin connector, grey
- T73c 73-pin connector, black

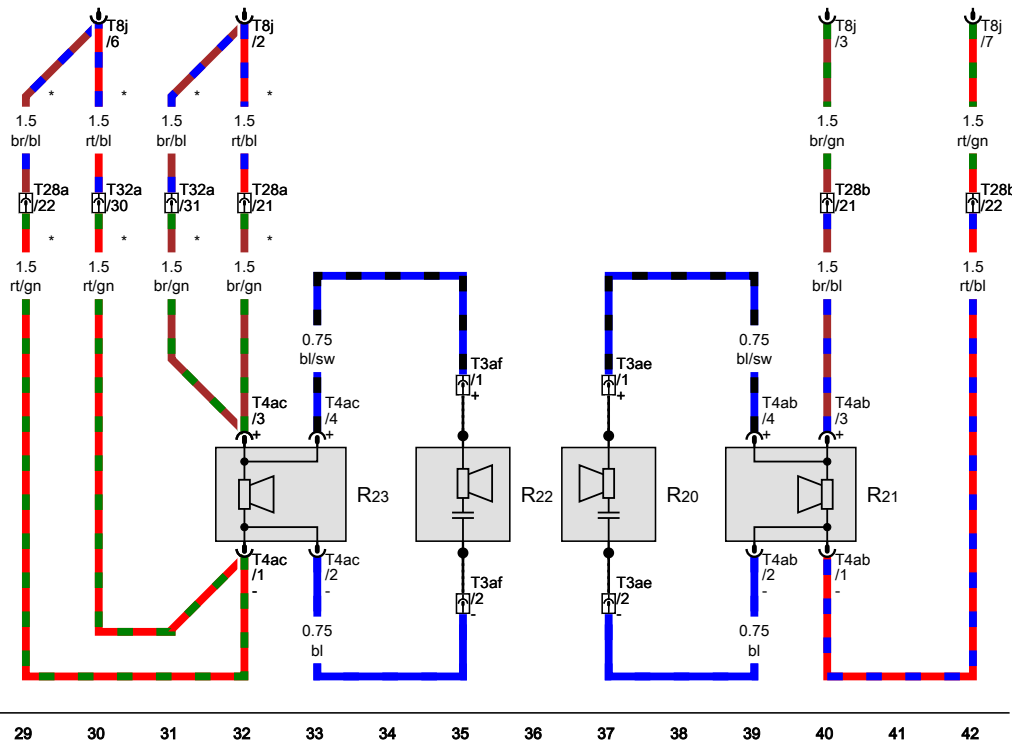
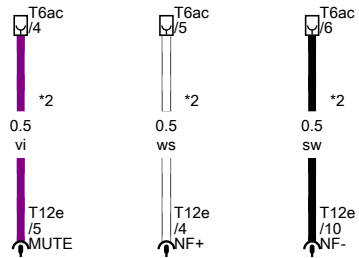
- 477 Earth connection (audio), in main wiring harness
- 751 Earth point 2, on right A-pillar
- B397 Connection 1 (convenience CAN bus, high), in main wiring harness
- B406 Connection 1 (convenience CAN bus, low), in main wiring harness

- ws = white
- sw = black
- ro = red
- rt = red
- br = brown
- gn = green
- bl = blue
- gr = grey
- li = purple
- vi = purple
- ge = yellow
- or = orange
- rs = pink

Front left treble loudspeaker, Front left bass loudspeaker,
Front right treble loudspeaker, Front right bass loudspeaker

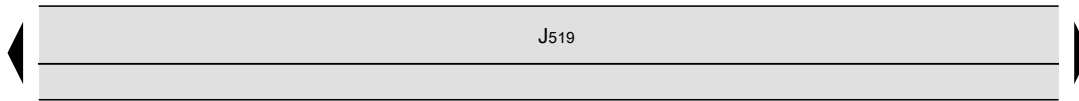


- J519 Onboard supply control unit
- R20 Front left treble loudspeaker
- R21 Front left bass loudspeaker
- R22 Front right treble loudspeaker
- R23 Front right bass loudspeaker
- T3ae 3-pin connector
- T3af 3-pin connector
- T4ab 4-pin connector
- T4ac 4-pin connector
- T6ac 6-pin connector, behind dash panel, centre
- T8j 8-pin connector, brown
- T12e 12-pin connector, blue
- T28a 28-pin connector, on right A-pillar
- T28b 28-pin connector, on left A-pillar
- T32a 32-pin connector, on right A-pillar
- * According to equipment
- *2 Only models with preparation for mobile telephone



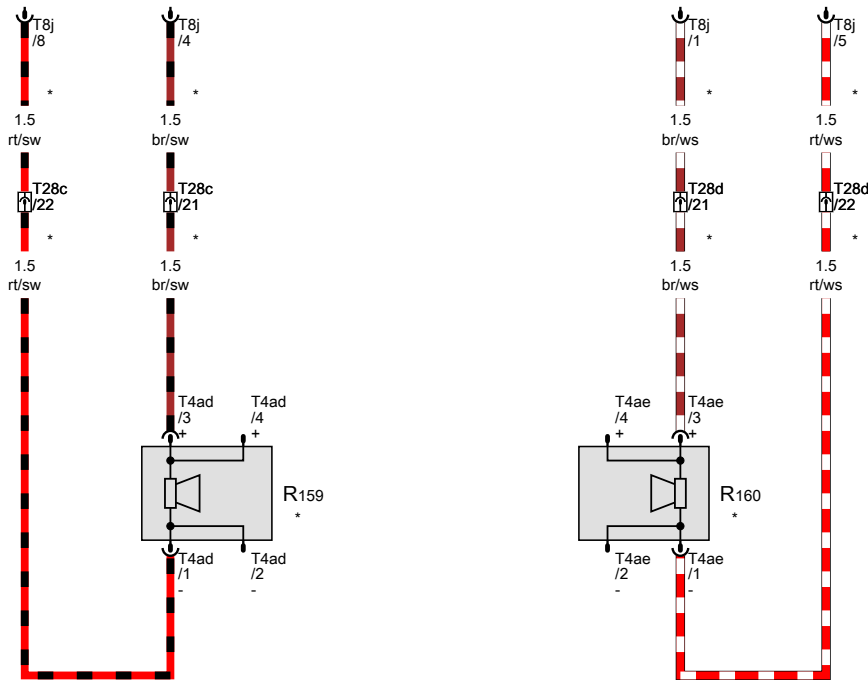
- ws = white
- sw = black
- ro = red
- rt = red
- br = brown
- gn = green
- bl = blue
- gr = grey
- li = purple
- vi = purple
- ge = yellow
- or = orange
- rs = pink

[NH0-068040216]



Rear left mid-range and bass loudspeaker, Rear right mid-range and bass loudspeaker

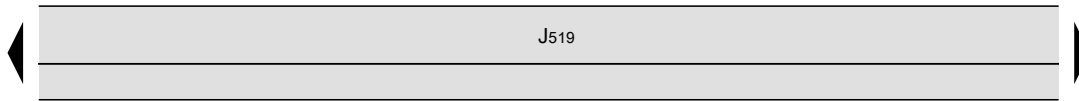
- J519 Onboard supply control unit
- R159 Rear left mid-range and bass loudspeaker
- R160 Rear right mid-range and bass loudspeaker
- T4ad 4-pin connector
- T4ae 4-pin connector
- T8j 8-pin connector, brown
- T28c 28-pin connector, on left B-pillar
- T28d 28-pin connector, on right B-pillar
- * Only models with rear loudspeaker



- ws = white
- sw = black
- ro = red
- rt = red
- br = brown
- gn = green
- bl = blue
- gr = grey
- li = purple
- vi = purple
- ge = yellow
- or = orange
- rs = pink

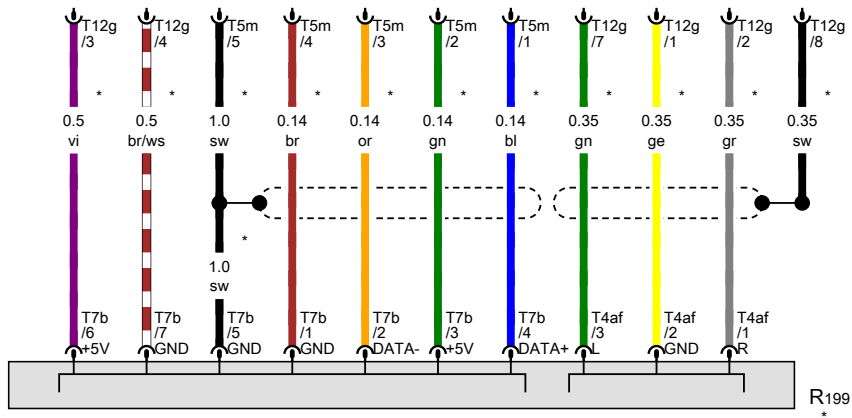
43 44 45 46 47 48 49 50 51 52 53 54 55 56

[NH0-068050216]



Connection for external audio sources

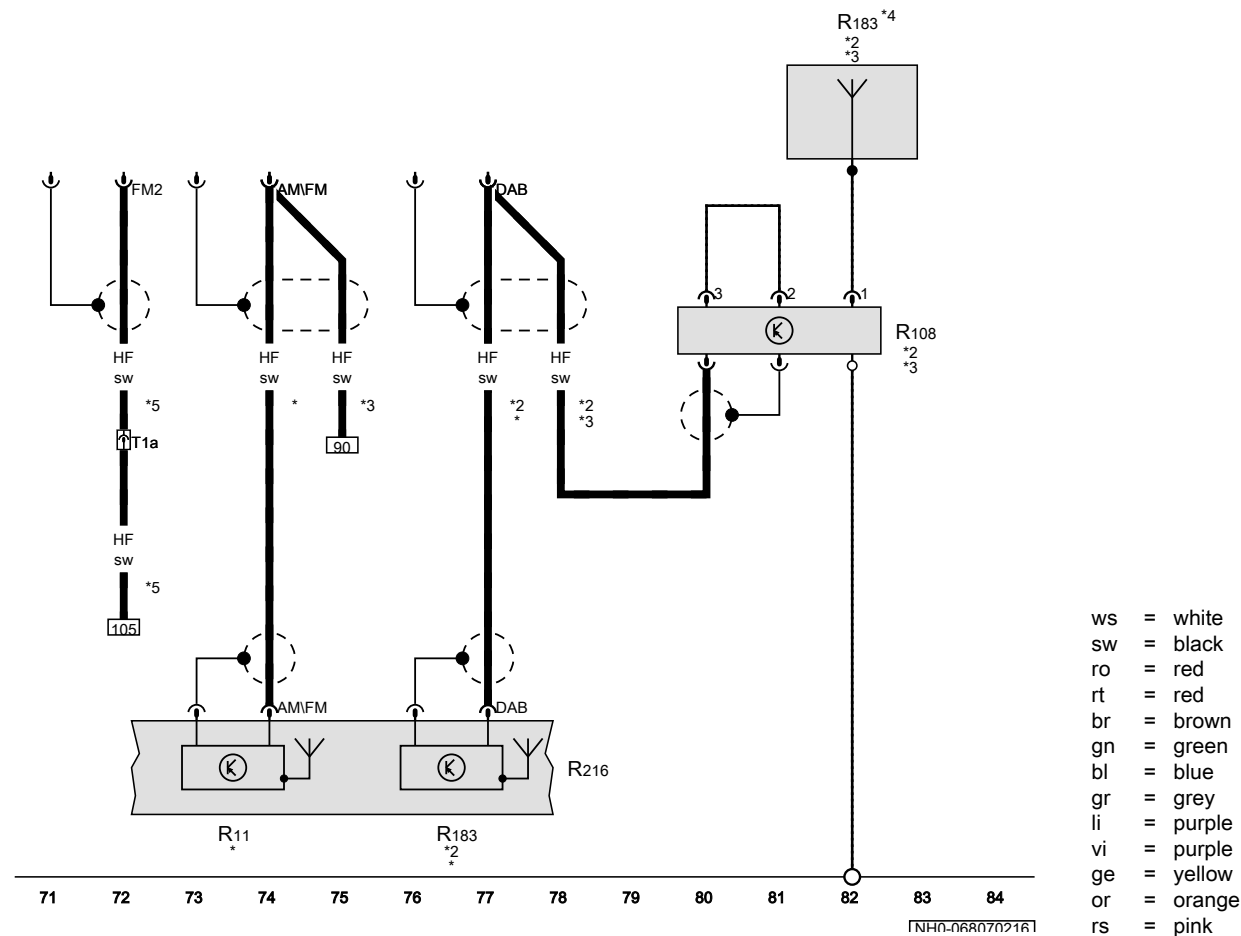
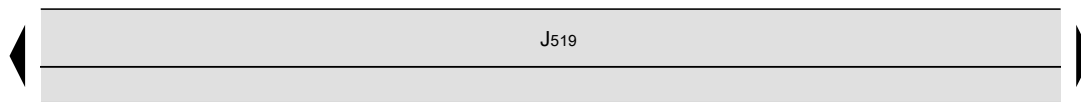
- J519 Onboard supply control unit
- R199 Connection for external audio sources
- T4af 4-pin connector
- T5m 5-pin connector, yellow
- T7b 7-pin connector
- T12g 12-pin connector, green
- * Special equipment



- ws = white
- sw = black
- ro = red
- rt = red
- br = brown
- gn = green
- bl = blue
- gr = grey
- li = purple
- vi = purple
- ge = yellow
- or = orange
- rs = pink

Left aerial module, Digital radio aerial, Roof aerial

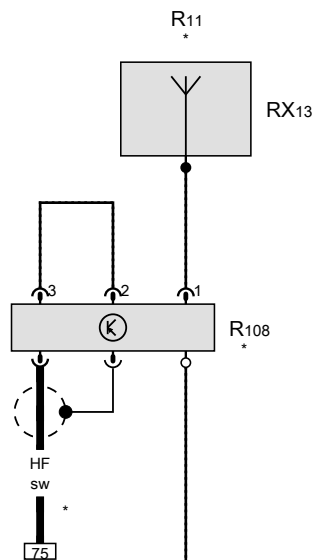
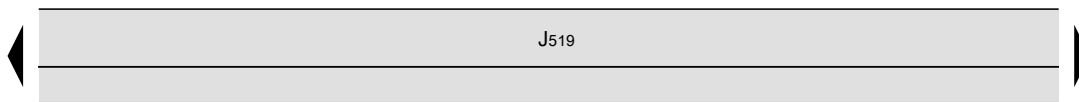
- J519 Onboard supply control unit
- R11 Aerial
- R108 Left aerial module
- R183 Digital radio aerial
- R216 Roof aerial
- T1a 1-pin connector, on right in luggage compartment
- * Only models with no glass roof
- *2 Special equipment
- *3 Only models with glass roof
- *4 Left side window aerial
- *5 Only models with rear window aerial



[NH0-068070216]

Aerial, Left aerial module

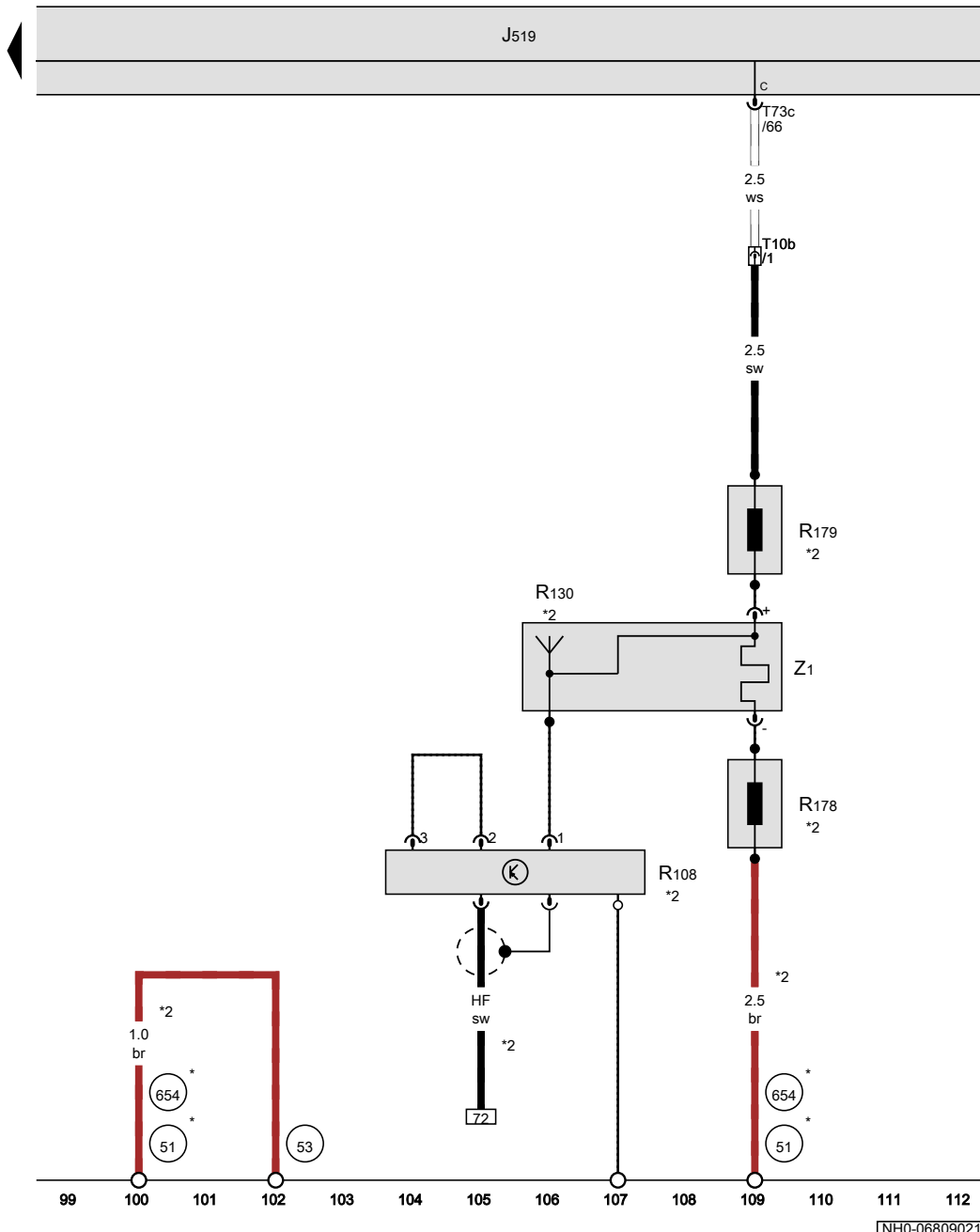
- J519 Onboard supply control unit
- R11 Aerial
- RX13 Glass roof
- R108 Left aerial module, under roof trim
- * Only models with glass roof



85 86 87 88 89 90 91 92 93 94 95 96 97 98

[NH0-068000216]

- ws = white
- sw = black
- ro = red
- rt = red
- br = brown
- gn = green
- bl = blue
- gr = grey
- li = purple
- vi = purple
- ge = yellow
- or = orange
- rs = pink



Left aerial module, Rear window aerial 1, Frequency modulation (FM) frequency filter in negative wire, Frequency modulation (FM) frequency filter in positive wire, Heated rear window

- J519 Onboard supply control unit
- R108 Left aerial module
- R130 Rear window aerial 1
- R178 Frequency modulation (FM) frequency filter in negative wire
- R179 Frequency modulation (FM) frequency filter in positive wire
- T10b 10-pin connector
- T73c 73-pin connector, black
- Z1 Heated rear window

- 51 Earth point, on right in luggage compartment
- 53 Earth point, on right in rear lid
- 654 Earth point, on right D-pillar

* see fitting locations
 *2 Only models with rear window aerial

- ws = white
- sw = black
- ro = red
- rt = red
- br = brown
- gn = green
- bl = blue
- gr = grey
- li = purple
- vi = purple
- ge = yellow
- or = orange
- rs = pink

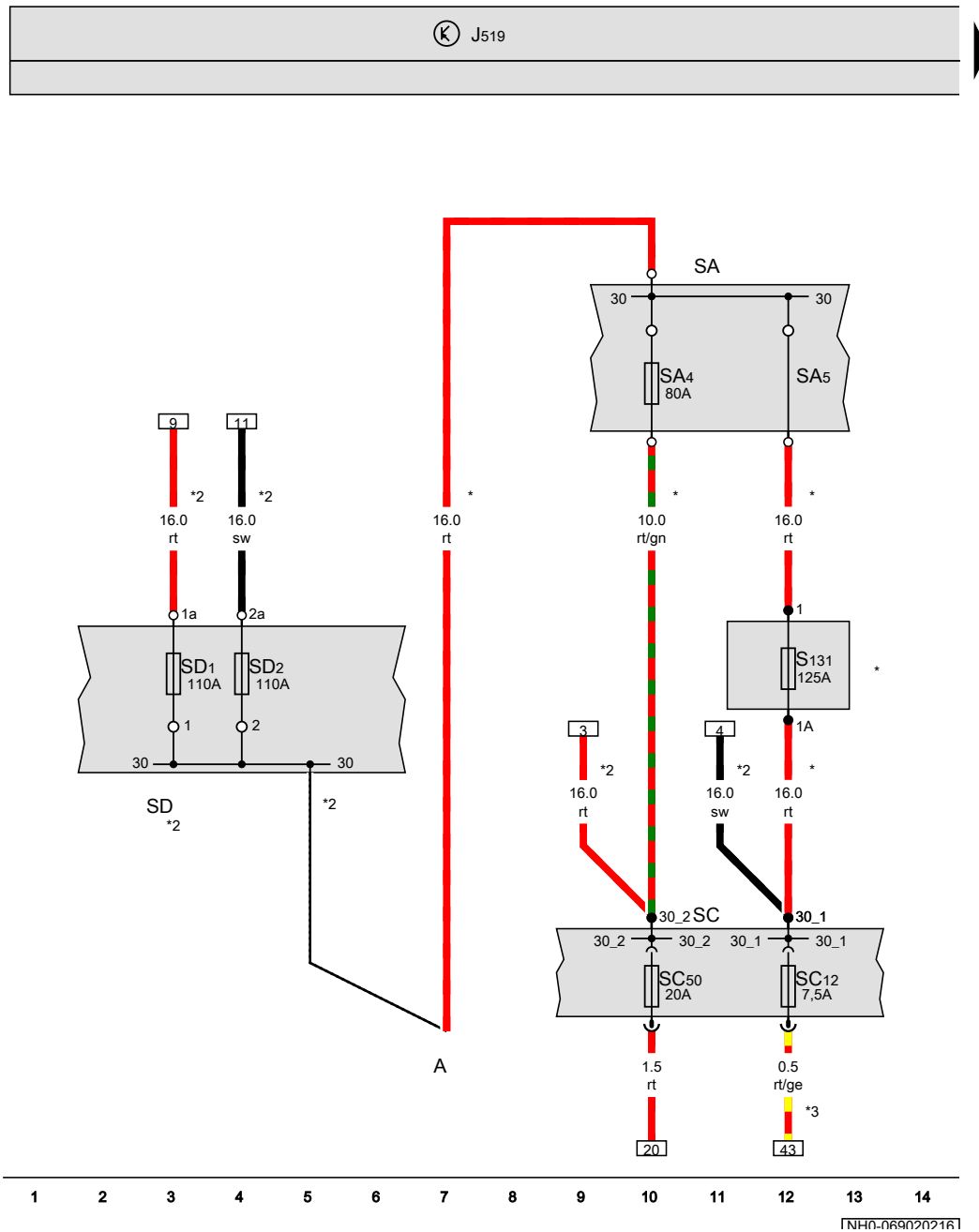
1NH0-068090216

Radio system , (L0R)

From May 2015

Battery, Fuse holder A, Fuse holder C, Fuse holder D

- A Battery
- J519 Onboard supply control unit
- SA Fuse holder A
- SC Fuse holder C
- SD1 Fuse 1 on fuse holder D
- SD2 Fuse 2 on fuse holder D
- SA4 Fuse 4 in fuse holder A
- SA5 Fuse 5 in fuse holder A
- SC12 Fuse 12 on fuse holder C
- SC50 Fuse 50 on fuse holder C
- S131 Fuse 1, in main wiring harness
- SD Fuse holder D
- * Only models with battery in engine compartment
- *2 Only models with battery in luggage compartment
- *3 According to equipment



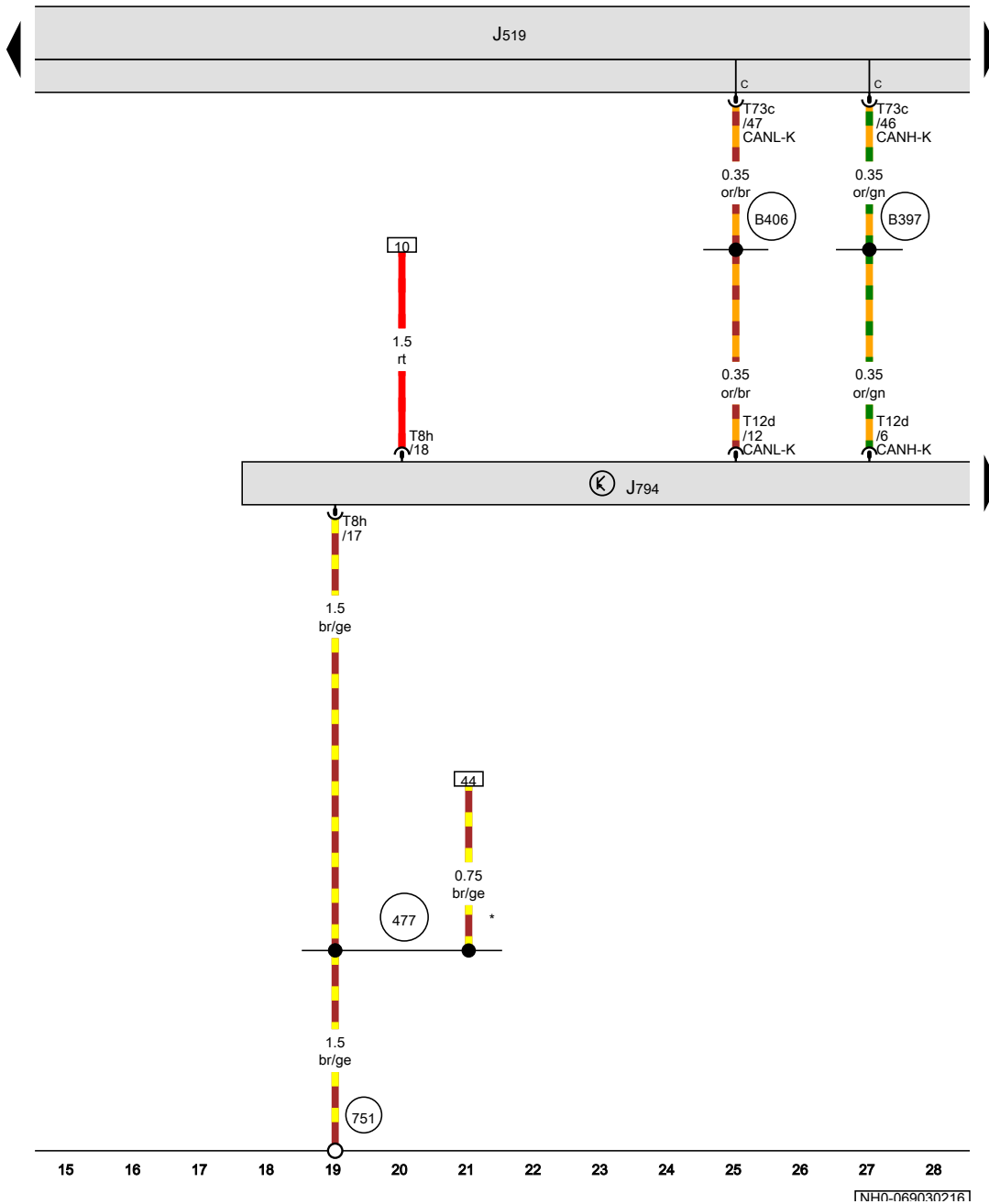
- ws = white
- sw = black
- ro = red
- rt = red
- br = brown
- gn = green
- bl = blue
- gr = grey
- li = purple
- vi = purple
- ge = yellow
- or = orange
- rs = pink

[NH0-069020216]

Control unit 1 for information electronics

- J519 Onboard supply control unit
- J794 Control unit 1 for information electronics
- T8h 8-pin connector, black
- T12d 12-pin connector, grey
- T73c 73-pin connector, black

- 477 Earth connection (audio), in main wiring harness
- 751 Earth point 2, on right A-pillar
- B397 Connection 1 (convenience CAN bus, high), in main wiring harness
- B406 Connection 1 (convenience CAN bus, low), in main wiring harness
- * According to equipment

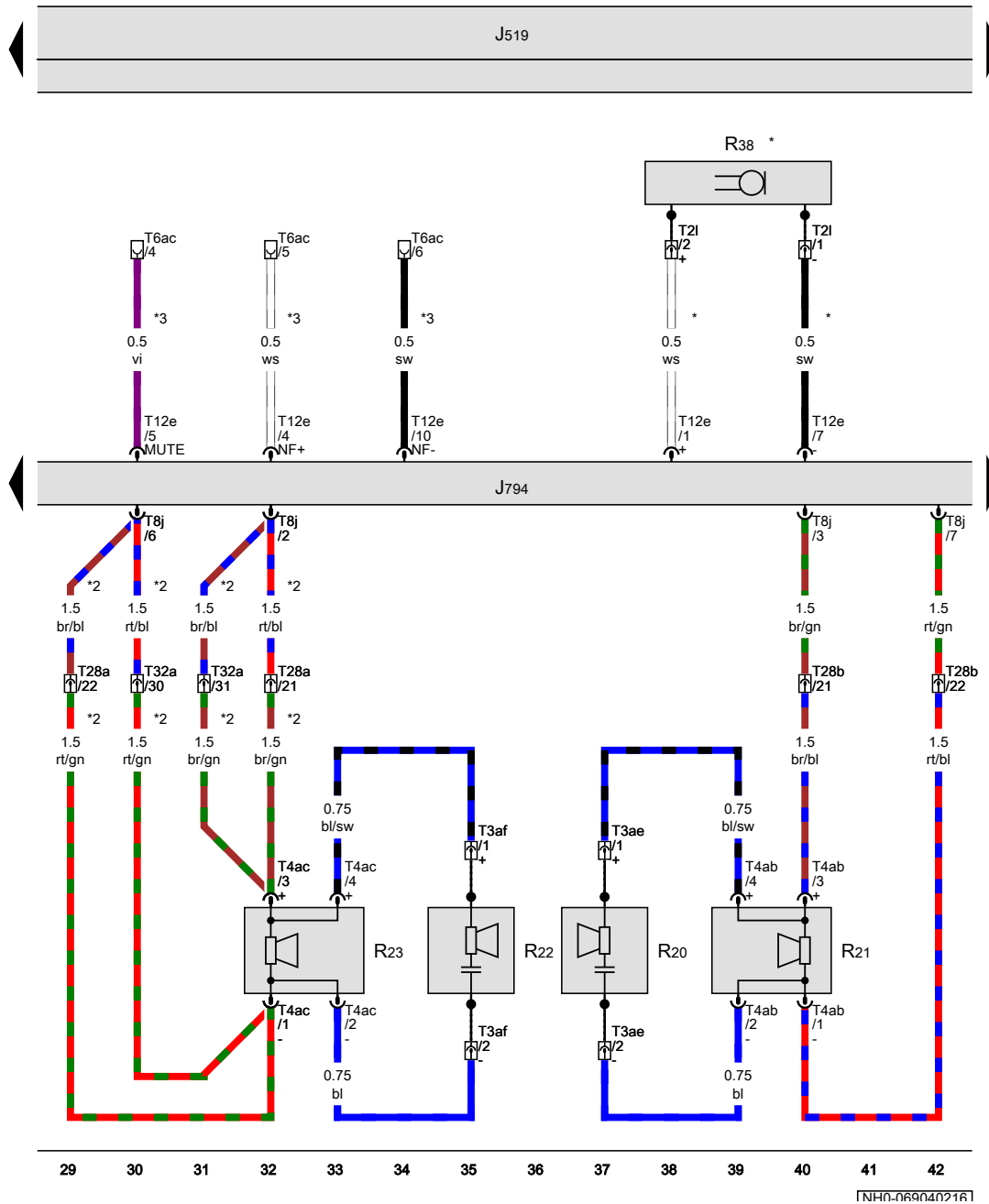


- ws = white
- sw = black
- ro = red
- rt = red
- br = brown
- gn = green
- bl = blue
- gr = grey
- li = purple
- vi = purple
- ge = yellow
- or = orange
- rs = pink

[NH0-069030216]

Control unit 1 for information electronics, Front left treble loudspeaker, Front left bass loudspeaker, Front right treble loudspeaker, Front right bass loudspeaker, Telephone microphone

- J519 Onboard supply control unit
- J794 Control unit 1 for information electronics
- R20 Front left treble loudspeaker
- R21 Front left bass loudspeaker
- R22 Front right treble loudspeaker
- R23 Front right bass loudspeaker
- R38 Telephone microphone
- T2l 2-pin connector
- T3ae 3-pin connector
- T3af 3-pin connector
- T4ab 4-pin connector
- T4ac 4-pin connector
- T6ac 6-pin connector, behind dash panel, centre
- T8j 8-pin connector, brown
- T12e 12-pin connector, blue
- T28a 28-pin connector, on right A-pillar
- T28b 28-pin connector, on left A-pillar
- T32a 32-pin connector, on right A-pillar
- * Special equipment
- *2 According to equipment
- *3 Only models with preparation for mobile telephone

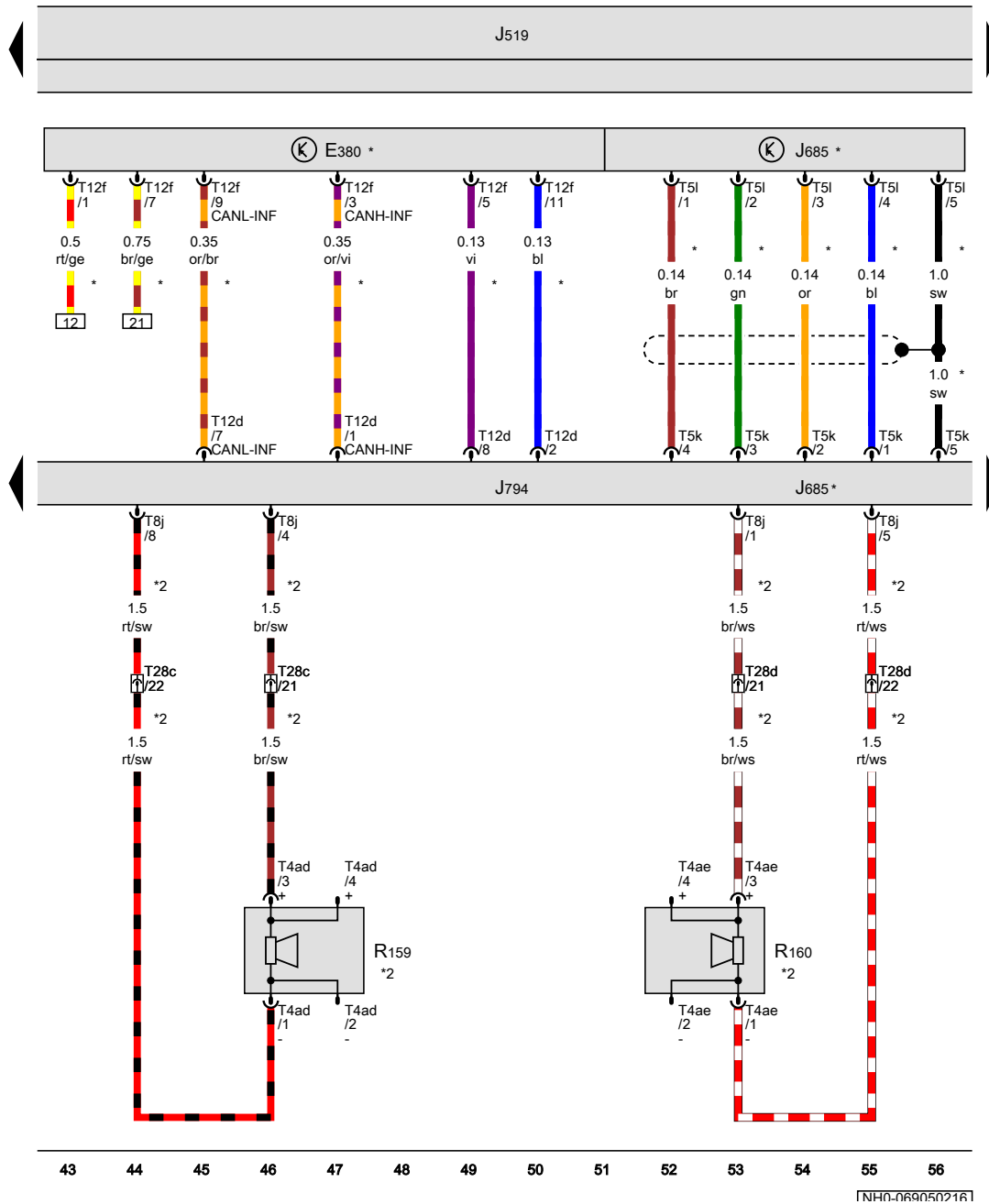


- ws = white
- sw = black
- ro = red
- rt = red
- br = brown
- gn = green
- bl = blue
- gr = grey
- li = purple
- vi = purple
- ge = yellow
- or = orange
- rs = pink

1NH0-0690402161

Multimedia system operating unit, Display unit for front information display and operating unit control unit, Control unit 1 for information electronics, Rear left mid-range and bass loudspeaker, Rear right mid-range and bass loudspeaker

- E380 Multimedia system operating unit
- J519 Onboard supply control unit
- J685 Display unit for front information display and operating unit control unit
- J794 Control unit 1 for information electronics
- R159 Rear left mid-range and bass loudspeaker
- R160 Rear right mid-range and bass loudspeaker
- T4ad 4-pin connector
- T4ae 4-pin connector
- T5k 5-pin connector, pink
- T5l 5-pin connector, blue
- T8j 8-pin connector, brown
- T12d 12-pin connector, grey
- T12f 12-pin connector, black
- T28c 28-pin connector, on left B-pillar
- T28d 28-pin connector, on right B-pillar
- * According to equipment
- *2 Only models with rear loudspeaker

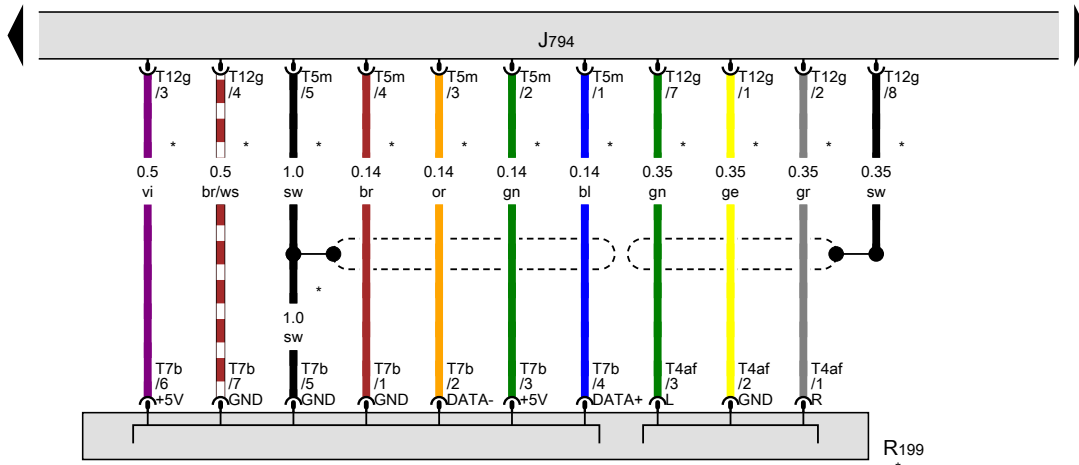
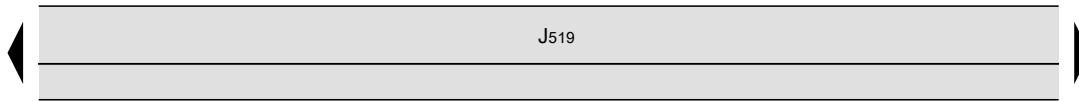


- ws = white
- sw = black
- ro = red
- rt = red
- br = brown
- gn = green
- bl = blue
- gr = grey
- li = purple
- vi = purple
- ge = yellow
- or = orange
- rs = pink

1NH0-0690502161

Control unit 1 for information electronics, Connection for external audio sources

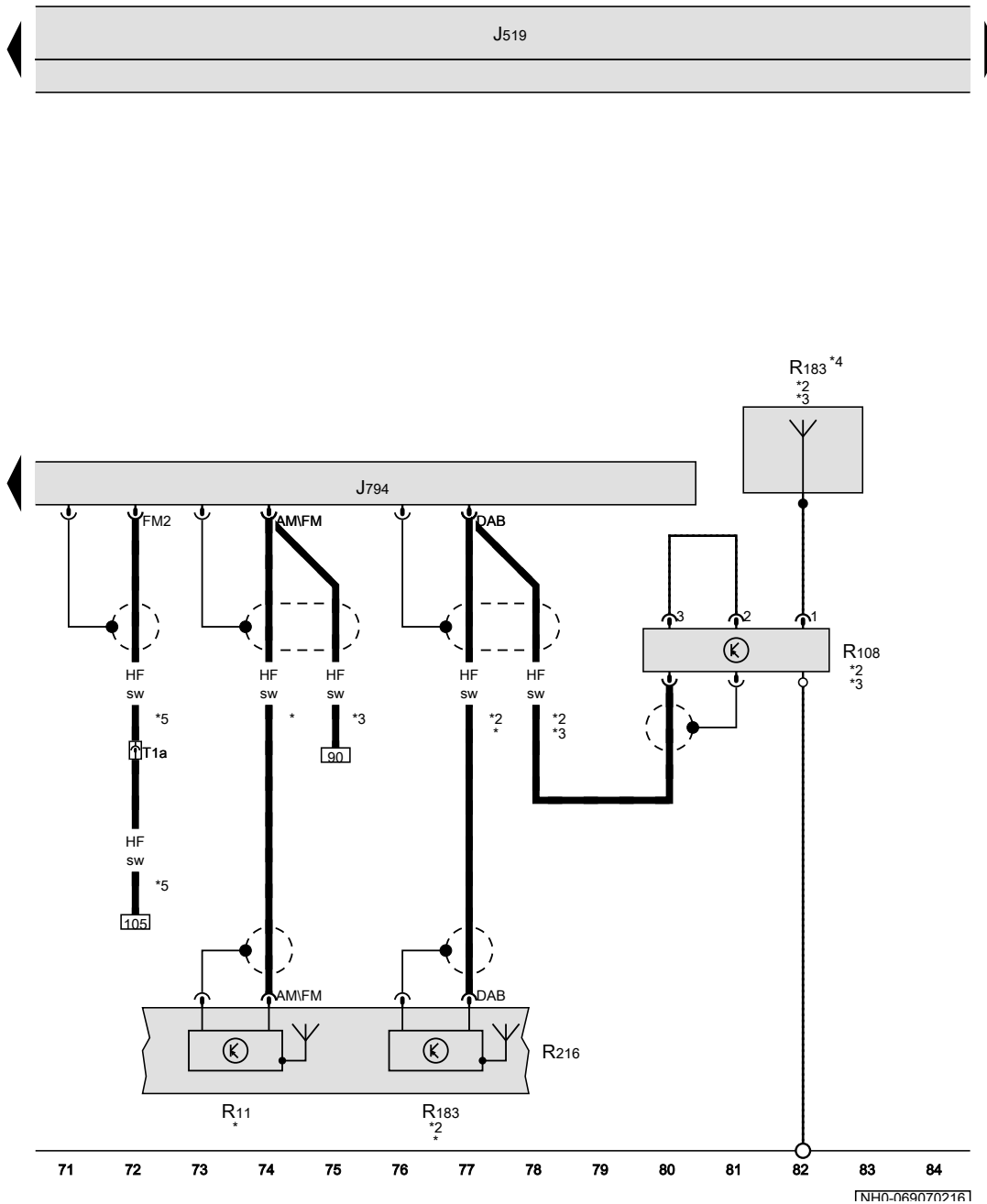
- J519 Onboard supply control unit
- J794 Control unit 1 for information electronics
- R199 Connection for external audio sources
- T4af 4-pin connector
- T5m 5-pin connector, yellow
- T7b 7-pin connector
- T12g 12-pin connector, green
- * Special equipment



- ws = white
- sw = black
- ro = red
- rt = red
- br = brown
- gn = green
- bl = blue
- gr = grey
- li = purple
- vi = purple
- ge = yellow
- or = orange
- rs = pink

Control unit 1 for information electronics, Left aerial module, Digital radio aerial, Roof aerial

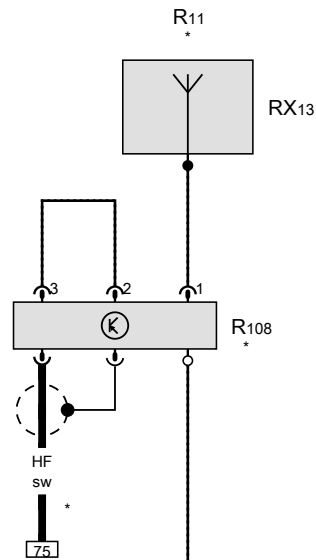
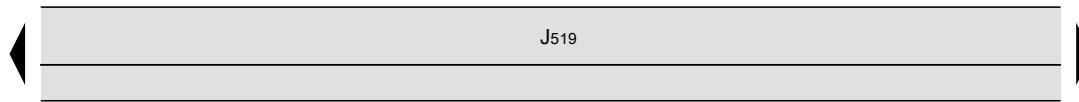
- J519 Onboard supply control unit
- J794 Control unit 1 for information electronics
- R11 Aerial
- R108 Left aerial module
- R183 Digital radio aerial
- R216 Roof aerial
- T1a 1-pin connector, on right in luggage compartment
- * Only models with no glass roof
- *2 Special equipment
- *3 Only models with glass roof
- *4 Left side window aerial
- *5 Only models with rear window aerial



- ws = white
- sw = black
- ro = red
- rt = red
- br = brown
- gn = green
- bl = blue
- gr = grey
- li = purple
- vi = purple
- ge = yellow
- or = orange
- rs = pink

Aerial, Left aerial module

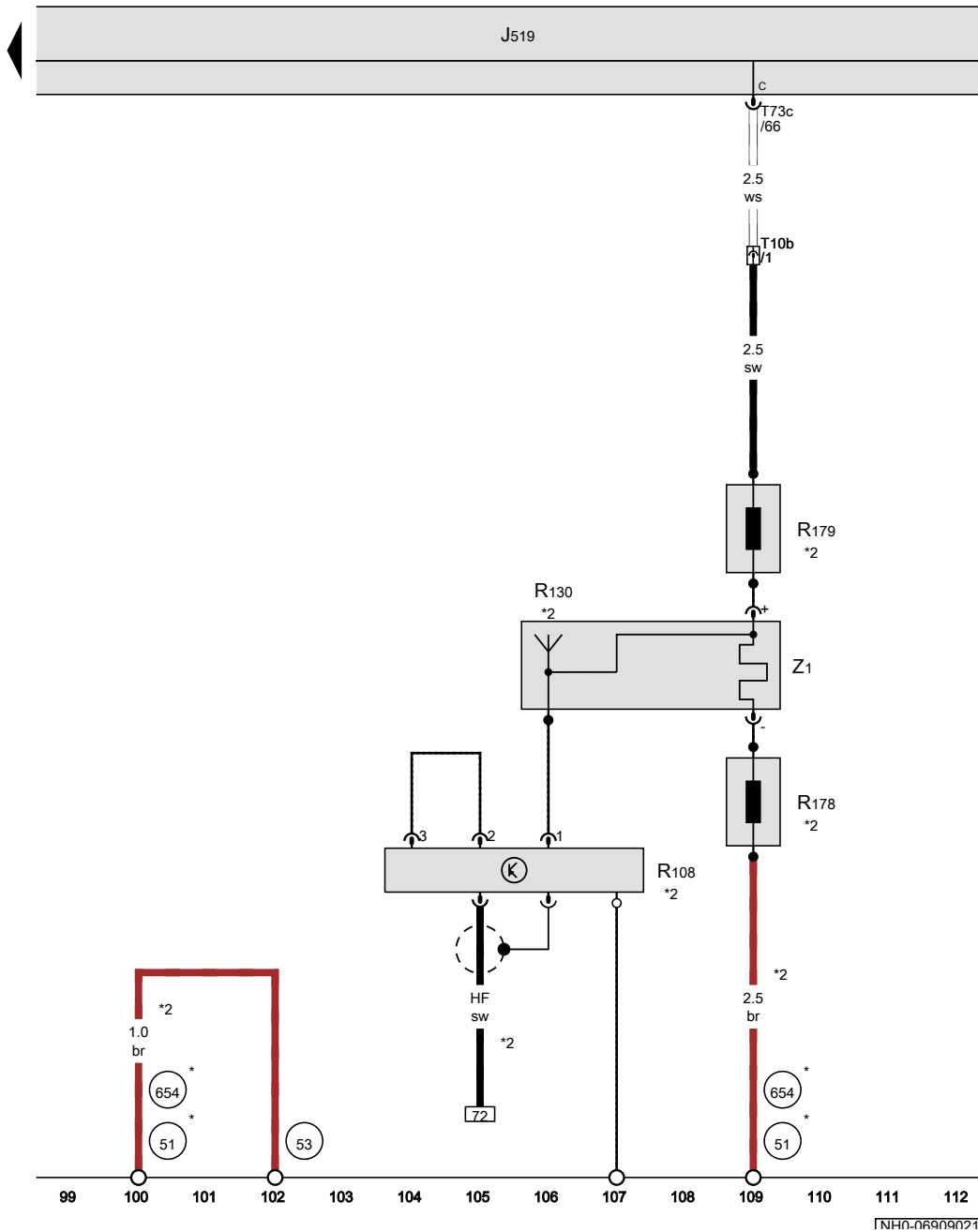
- J519 Onboard supply control unit
- R11 Aerial
- RX13 Glass roof
- R108 Left aerial module, under roof trim
- * Only models with glass roof



85 86 87 88 89 90 91 92 93 94 95 96 97 98

[NH0-069000216]

- ws = white
- sw = black
- ro = red
- rt = red
- br = brown
- gn = green
- bl = blue
- gr = grey
- li = purple
- vi = purple
- ge = yellow
- or = orange
- rs = pink



Left aerial module, Rear window aerial 1, Frequency modulation (FM) frequency filter in negative wire, Frequency modulation (FM) frequency filter in positive wire, Heated rear window

- J519 Onboard supply control unit
- R108 Left aerial module
- R130 Rear window aerial 1
- R178 Frequency modulation (FM) frequency filter in negative wire
- R179 Frequency modulation (FM) frequency filter in positive wire
- T10b 10-pin connector
- T73c 73-pin connector, black
- Z1 Heated rear window

- 51 Earth point, on right in luggage compartment
- 53 Earth point, on right in rear lid
- 654 Earth point, on right D-pillar

* see fitting locations
 *2 Only models with rear window aerial

- ws = white
- sw = black
- ro = red
- rt = red
- br = brown
- gn = green
- bl = blue
- gr = grey
- li = purple
- vi = purple
- ge = yellow
- or = orange
- rs = pink

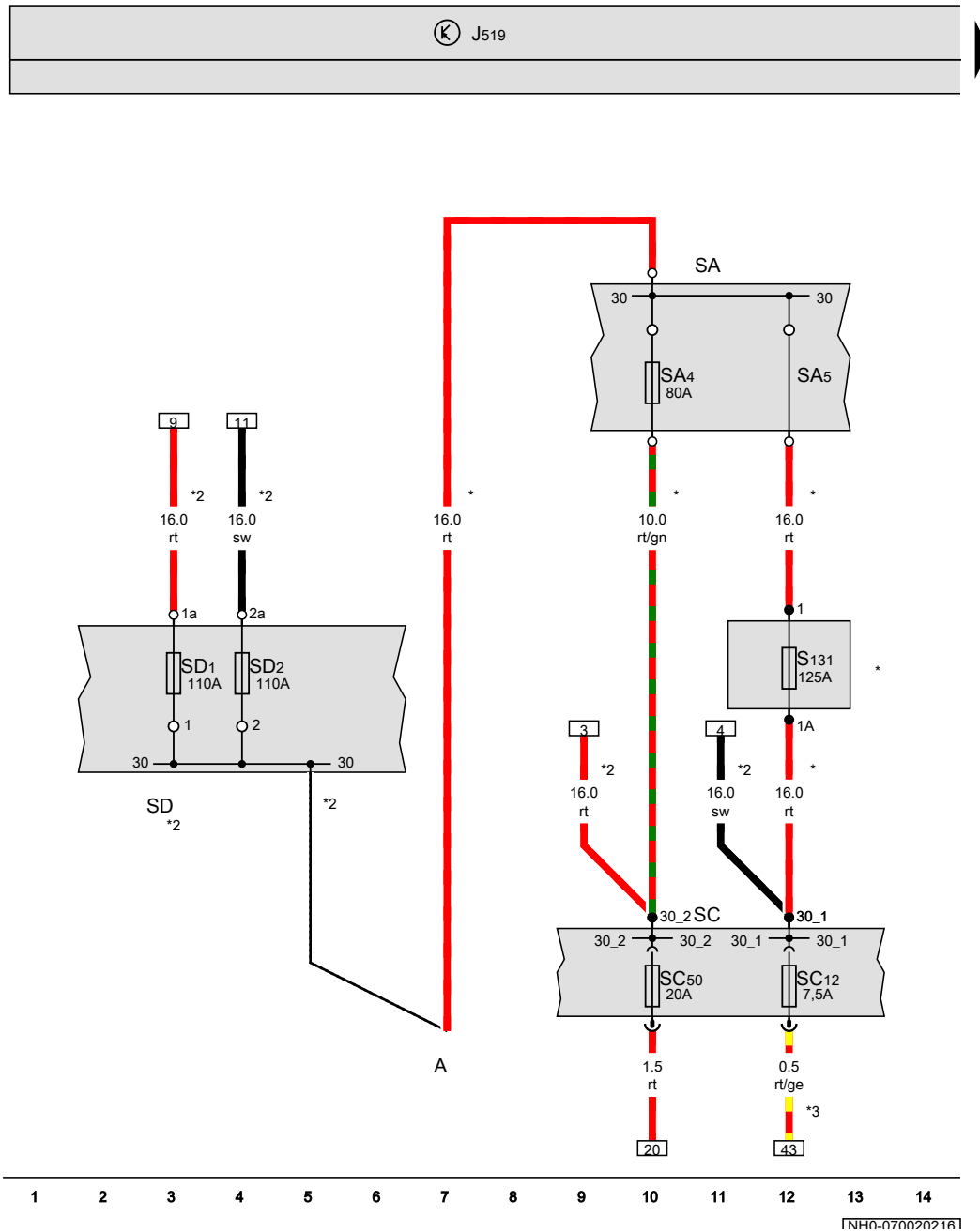
1NH0-069000216

Radio navigation system , (L0R)

From May 2015

Battery, Fuse holder A, Fuse holder C, Fuse holder D

- A Battery
- J519 Onboard supply control unit
- SA Fuse holder A
- SC Fuse holder C
- SD1 Fuse 1 on fuse holder D
- SD2 Fuse 2 on fuse holder D
- SA4 Fuse 4 in fuse holder A
- SA5 Fuse 5 in fuse holder A
- SC12 Fuse 12 on fuse holder C
- SC50 Fuse 50 on fuse holder C
- S131 Fuse 1, in main wiring harness
- SD Fuse holder D
- * Only models with battery in engine compartment
- *2 Only models with battery in luggage compartment
- *3 According to equipment

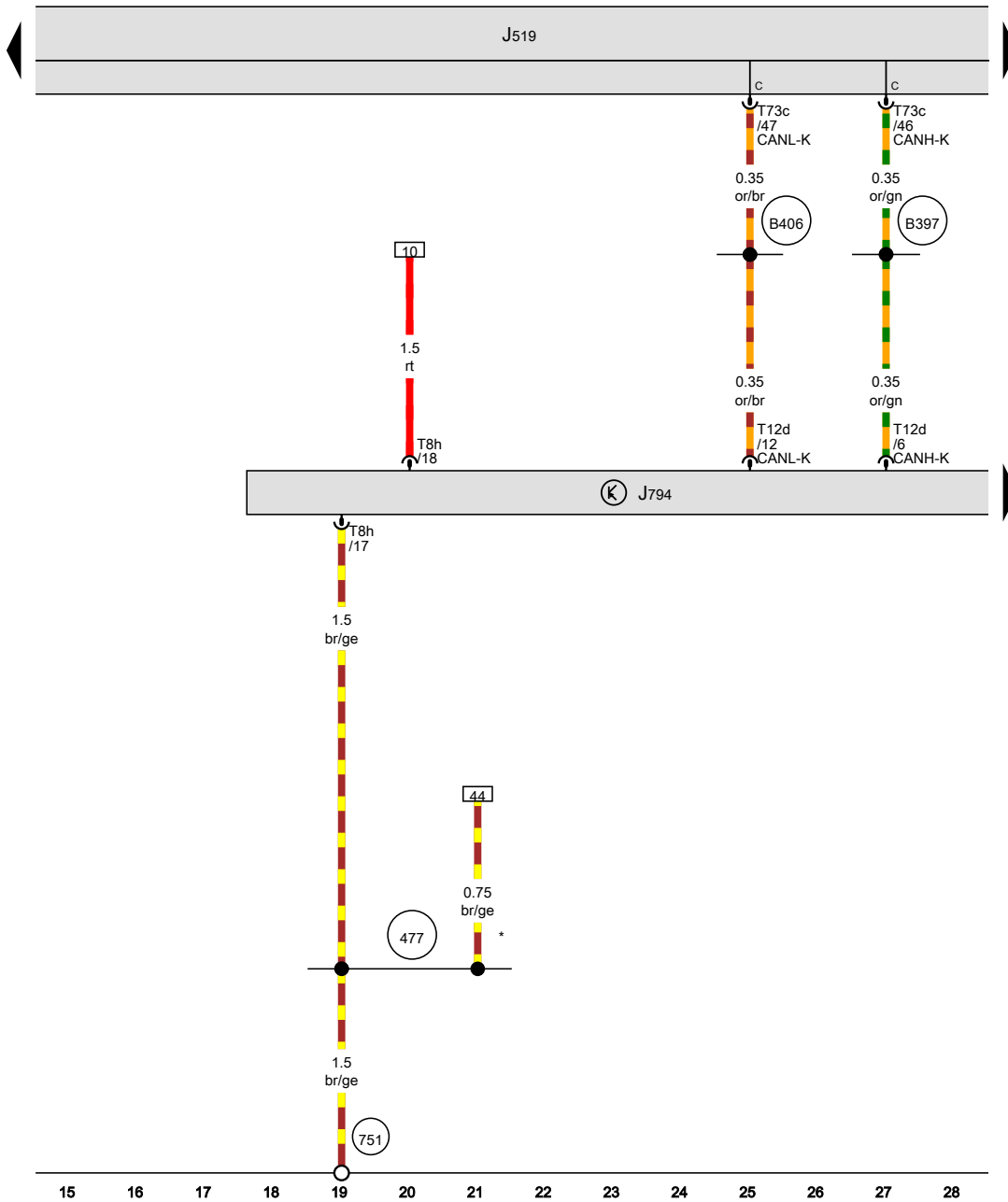


[NH0-070020216]

Control unit 1 for information electronics

- J519 Onboard supply control unit
- J794 Control unit 1 for information electronics
- T8h 8-pin connector, black
- T12d 12-pin connector, grey
- T73c 73-pin connector, black

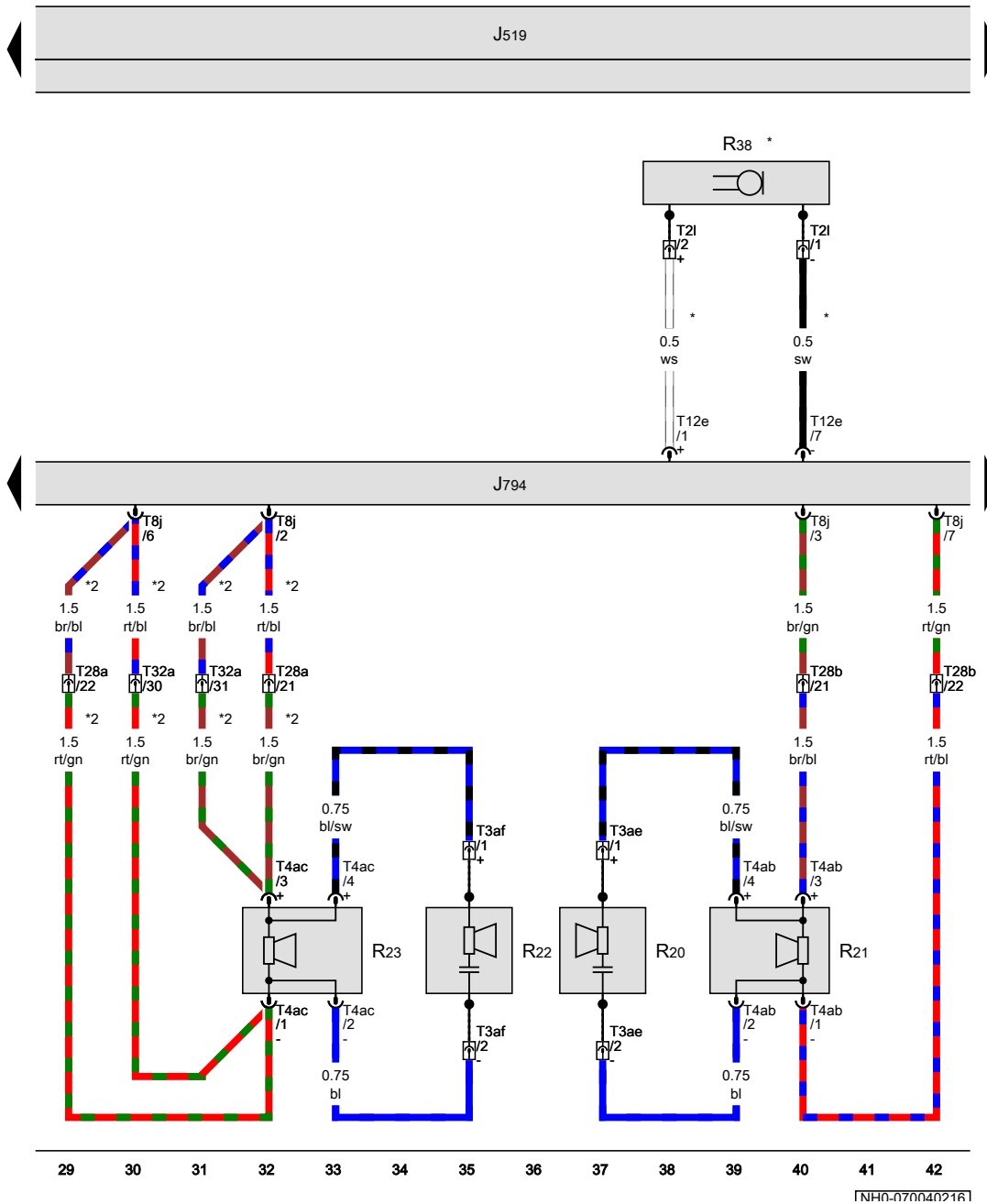
- 477 Earth connection (audio), in main wiring harness
- 751 Earth point 2, on right A-pillar
- B397 Connection 1 (convenience CAN bus, high), in main wiring harness
- B406 Connection 1 (convenience CAN bus, low), in main wiring harness
- * According to equipment



- ws = white
- sw = black
- ro = red
- rt = red
- br = brown
- gn = green
- bl = blue
- gr = grey
- li = purple
- vi = purple
- ge = yellow
- or = orange
- rs = pink

[NH0-070030216]

Control unit 1 for information electronics, Front left treble loudspeaker, Front left bass loudspeaker, Front right treble loudspeaker, Front right bass loudspeaker, Telephone microphone



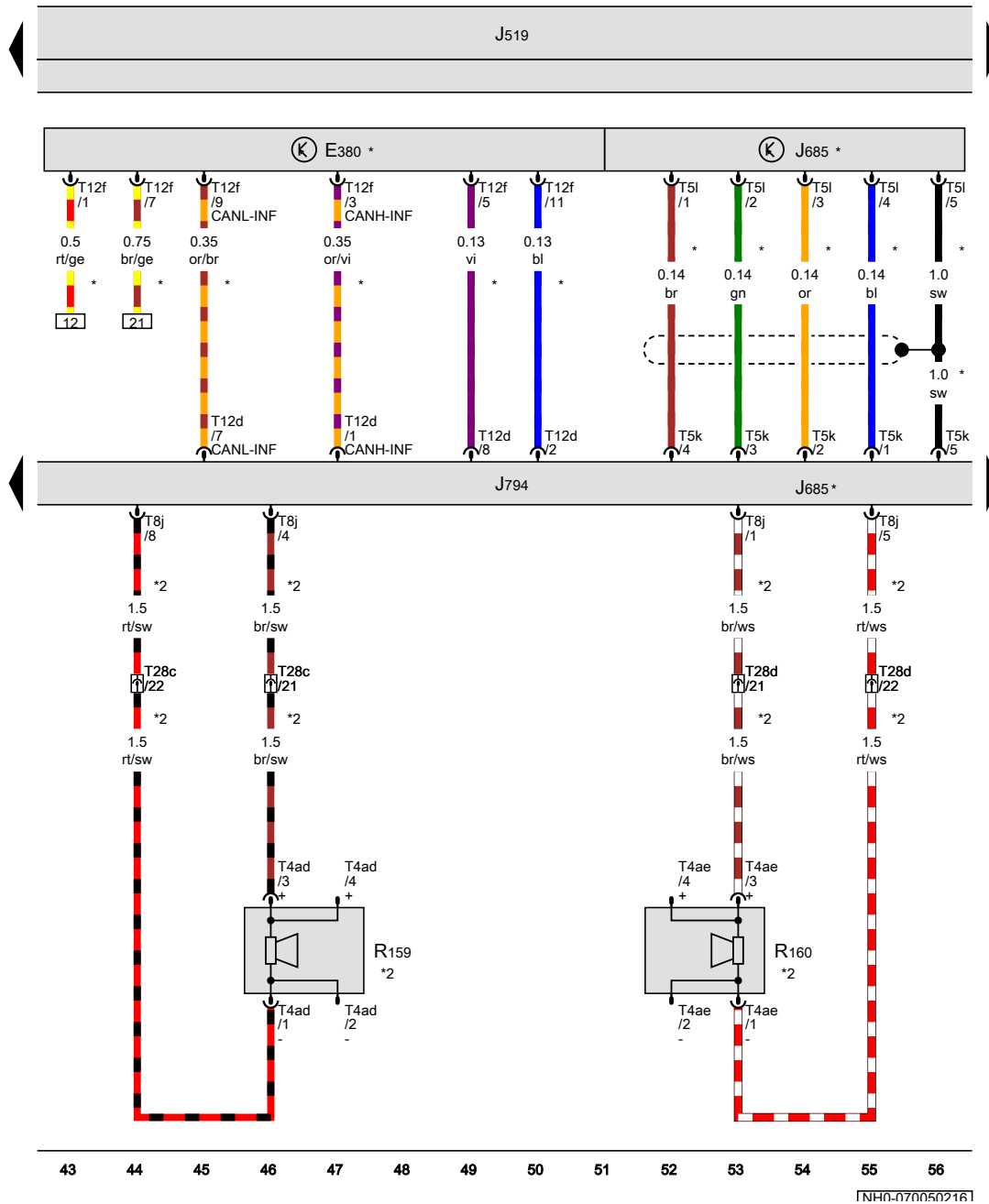
- J519 Onboard supply control unit
- J794 Control unit 1 for information electronics
- R20 Front left treble loudspeaker
- R21 Front left bass loudspeaker
- R22 Front right treble loudspeaker
- R23 Front right bass loudspeaker
- R38 Telephone microphone
- T21 2-pin connector
- T3ae 3-pin connector
- T3af 3-pin connector
- T4ab 4-pin connector
- T4ac 4-pin connector
- T8j 8-pin connector, brown
- T12e 12-pin connector, blue
- T28a 28-pin connector, on right A-pillar
- T28b 28-pin connector, on left A-pillar
- T32a 32-pin connector, on right A-pillar
- * Special equipment
- *2 According to equipment

- ws = white
- sw = black
- ro = red
- rt = red
- br = brown
- gn = green
- bl = blue
- gr = grey
- li = purple
- vi = purple
- ge = yellow
- or = orange
- rs = pink

1NH0-0700402161

Multimedia system operating unit, Display unit for front information display and operating unit control unit, Control unit 1 for information electronics, Rear left mid-range and bass loudspeaker, Rear right mid-range and bass loudspeaker

- E380 Multimedia system operating unit
- J519 Onboard supply control unit
- J685 Display unit for front information display and operating unit control unit
- J794 Control unit 1 for information electronics
- R159 Rear left mid-range and bass loudspeaker
- R160 Rear right mid-range and bass loudspeaker
- T4ad 4-pin connector
- T4ae 4-pin connector
- T5k 5-pin connector, pink
- T5l 5-pin connector, blue
- T8j 8-pin connector, brown
- T12d 12-pin connector, grey
- T12f 12-pin connector, black
- T28c 28-pin connector, on left B-pillar
- T28d 28-pin connector, on right B-pillar
- * According to equipment
- *2 Only models with rear loudspeaker

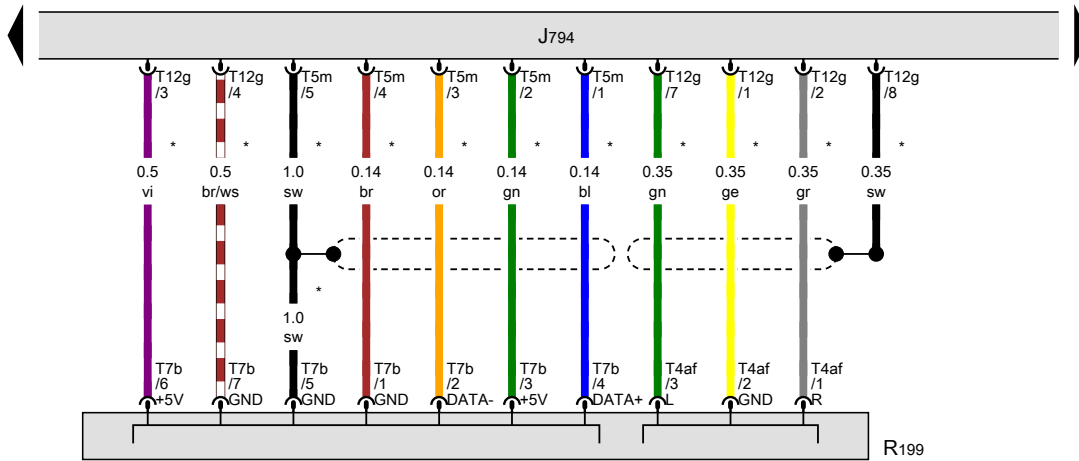
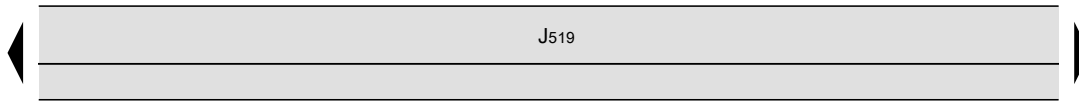


- ws = white
- sw = black
- ro = red
- rt = red
- br = brown
- gn = green
- bl = blue
- gr = grey
- li = purple
- vi = purple
- ge = yellow
- or = orange
- rs = pink

[NH0-070050216]

Control unit 1 for information electronics, Connection for external audio sources

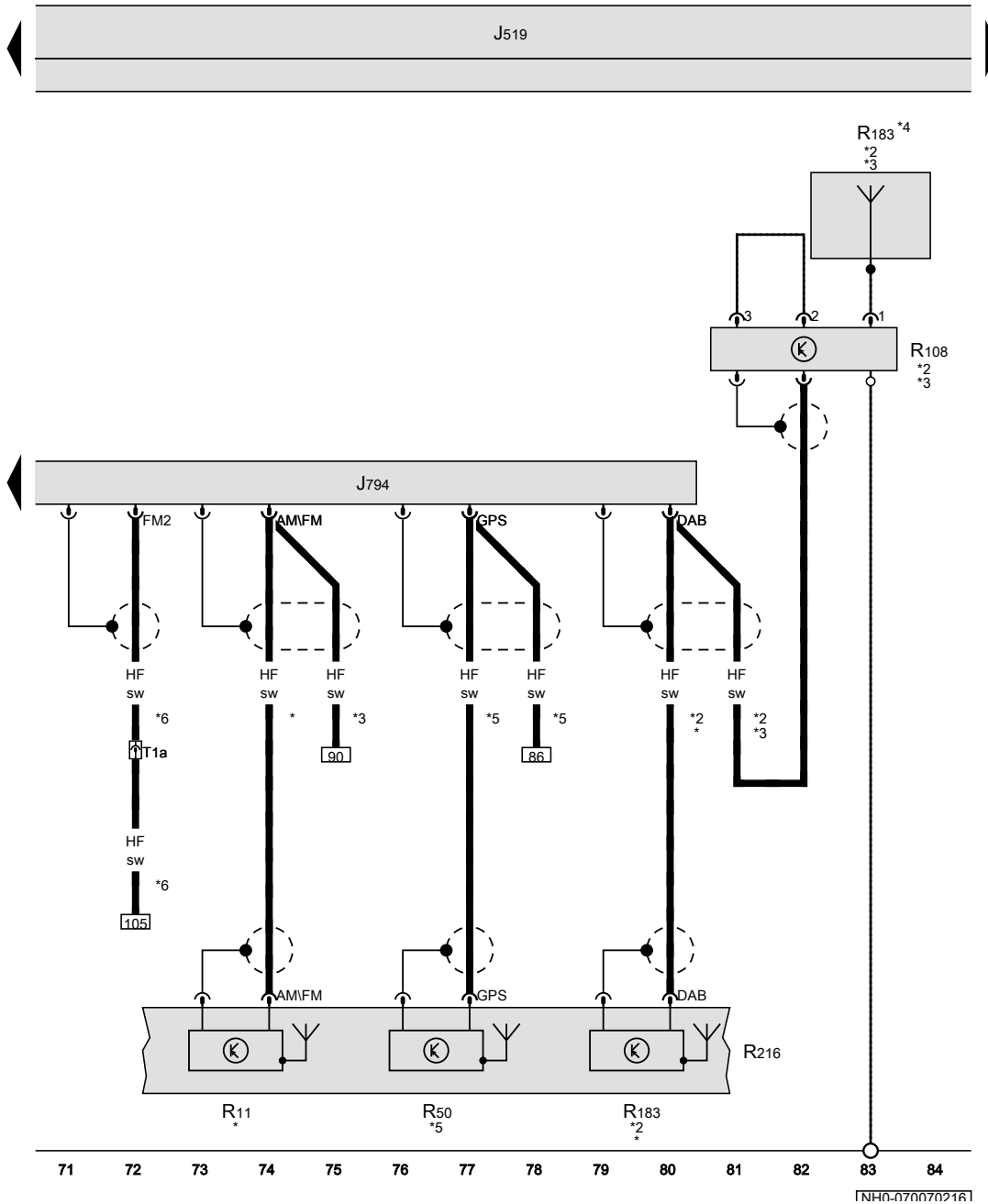
- J519 Onboard supply control unit
- J794 Control unit 1 for information electronics
- R199 Connection for external audio sources
- T4af 4-pin connector
- T5m 5-pin connector, yellow
- T7b 7-pin connector
- T12g 12-pin connector, green
- * Special equipment



- ws = white
- sw = black
- ro = red
- rt = red
- br = brown
- gn = green
- bl = blue
- gr = grey
- li = purple
- vi = purple
- ge = yellow
- or = orange
- rs = pink

Control unit 1 for information electronics, Left aerial module, Digital radio aerial, Roof aerial

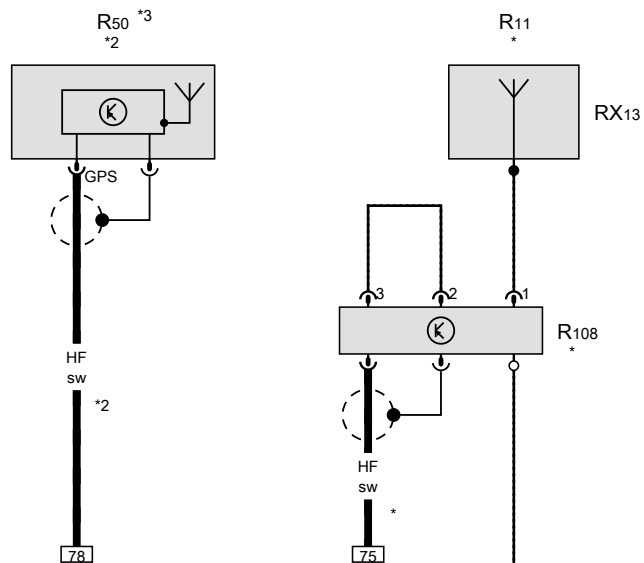
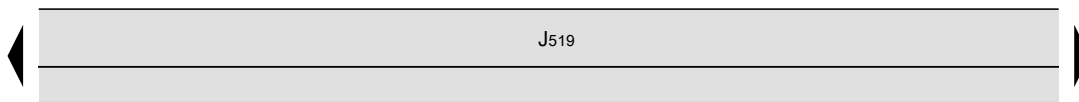
- J519 Onboard supply control unit
- J794 Control unit 1 for information electronics
- R11 Aerial
- R50 GPS aerial
- R108 Left aerial module
- R183 Digital radio aerial
- R216 Roof aerial
- T1a 1-pin connector, on right in luggage compartment
- * Only models with no glass roof
- *2 Special equipment
- *3 Only models with glass roof
- *4 Left side window aerial
- *5 According to equipment
- *6 Only models with rear window aerial



- ws = white
- sw = black
- ro = red
- rt = red
- br = brown
- gn = green
- bl = blue
- gr = grey
- li = purple
- vi = purple
- ge = yellow
- or = orange
- rs = pink

Aerial, GPS aerial, Left aerial module

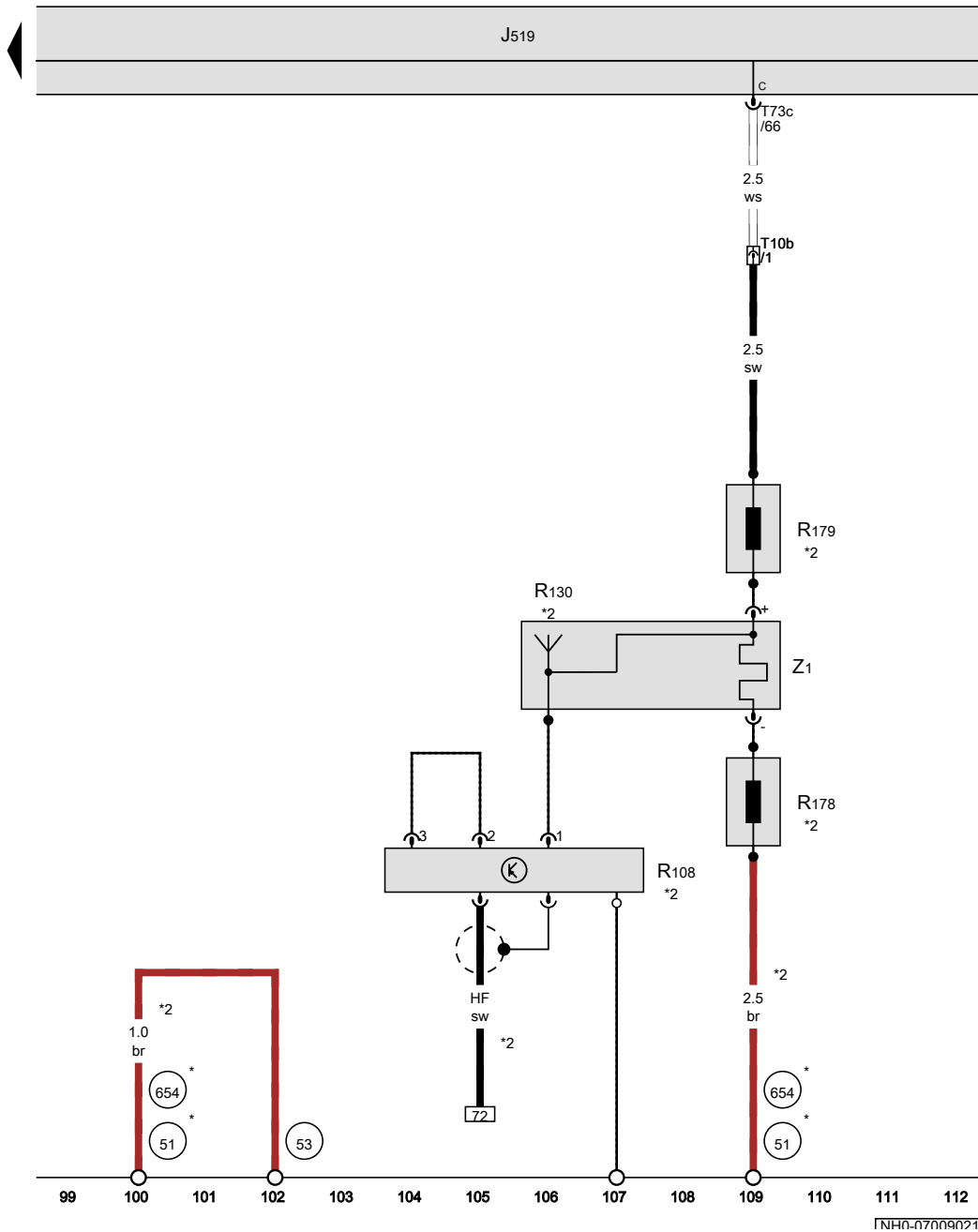
- J519 Onboard supply control unit
- R11 Aerial
- RX13 Glass roof
- R50 GPS aerial
- R108 Left aerial module, under roof trim
- * Only models with glass roof
- *2 According to equipment
- *3 Aerial, routed under dash panel



- ws = white
- sw = black
- ro = red
- rt = red
- br = brown
- gn = green
- bl = blue
- gr = grey
- li = purple
- vi = purple
- ge = yellow
- or = orange
- rs = pink

85 86 87 88 89 90 91 92 93 94 95 96 97 98

[NH0-070080216]



Left aerial module, Rear window aerial 1, Frequency modulation (FM) frequency filter in negative wire, Frequency modulation (FM) frequency filter in positive wire, Heated rear window

- J519 Onboard supply control unit
- R108 Left aerial module
- R130 Rear window aerial 1
- R178 Frequency modulation (FM) frequency filter in negative wire
- R179 Frequency modulation (FM) frequency filter in positive wire
- T10b 10-pin connector
- T73c 73-pin connector, black
- Z1 Heated rear window

- 51 Earth point, on right in luggage compartment
- 53 Earth point, on right in rear lid
- 654 Earth point, on right D-pillar

* see fitting locations
 *2 Only models with rear window aerial

- ws = white
- sw = black
- ro = red
- rt = red
- br = brown
- gn = green
- bl = blue
- gr = grey
- li = purple
- vi = purple
- ge = yellow
- or = orange
- rs = pink

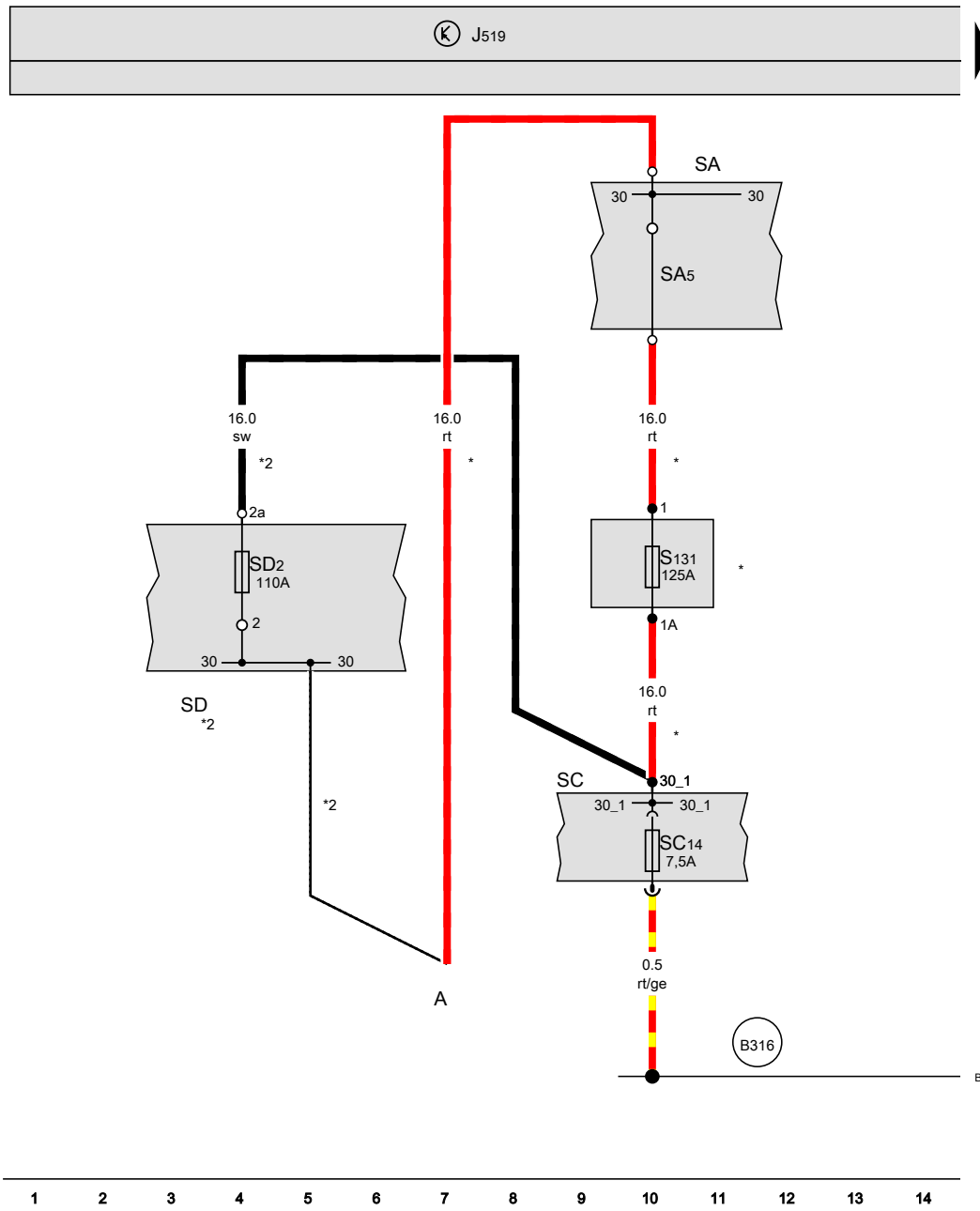
1NH0-0700902161

Wireless data transfer , (EI9),(L0R)

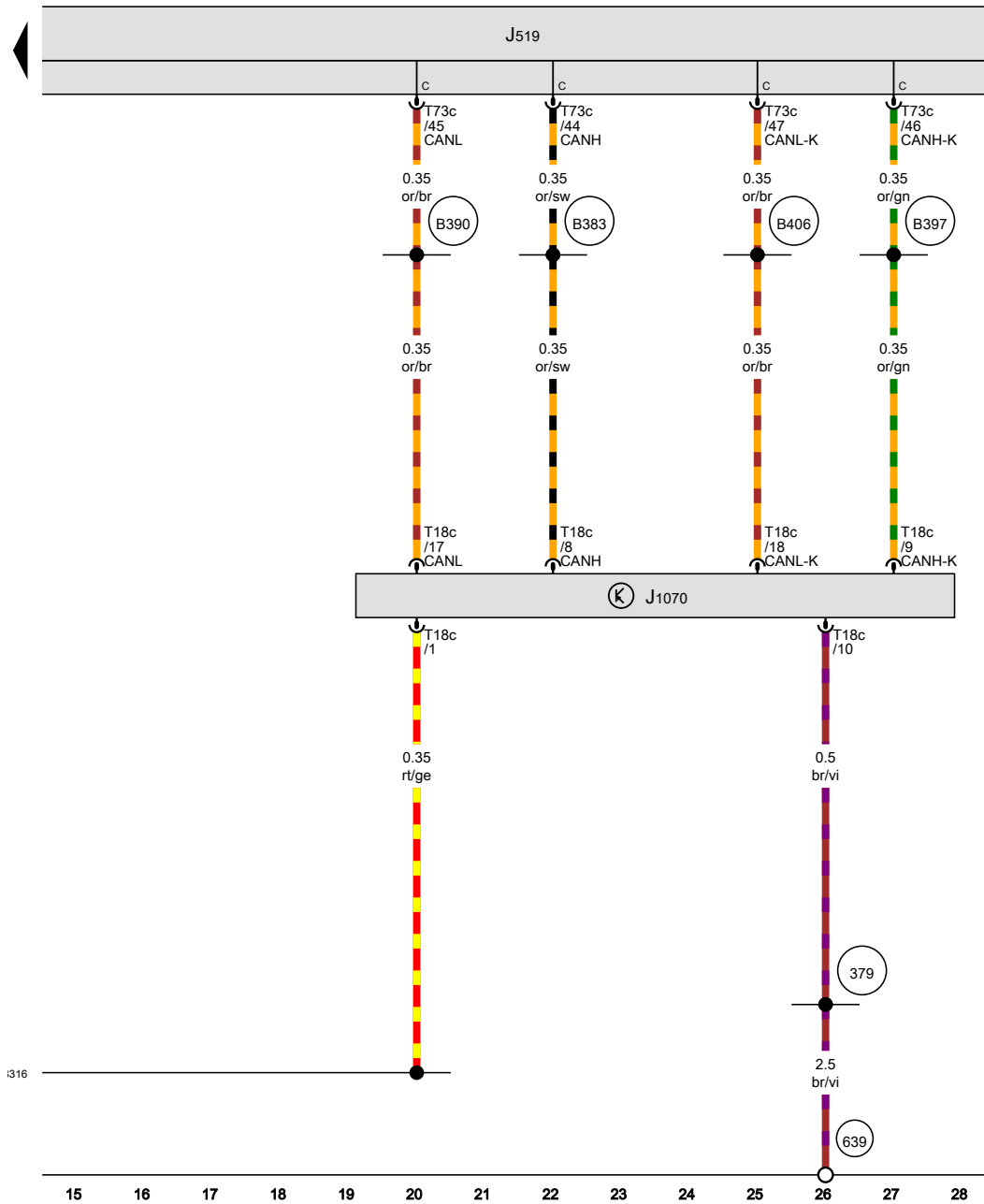
From May 2015

Battery, Fuse holder A, Fuse holder C, Fuse holder D

- A Battery
- J519 Onboard supply control unit
- S131 Fuse 1, in main wiring harness
- SA Fuse holder A
- SD2 Fuse 2 on fuse holder D
- SA5 Fuse 5 in fuse holder A
- SC Fuse holder C
- SC14 Fuse 14 on fuse holder C
- SD Fuse holder D
- B316** Positive connection 2 (30a) in main wiring harness
- * Only models with battery in engine compartment
- *2 Only models with battery in luggage compartment



- ws = white
- sw = black
- ro = red
- rt = red
- br = brown
- gn = green
- bl = blue
- gr = grey
- li = purple
- vi = purple
- ge = yellow
- or = orange
- rs = pink



Control unit for wireless data transfer

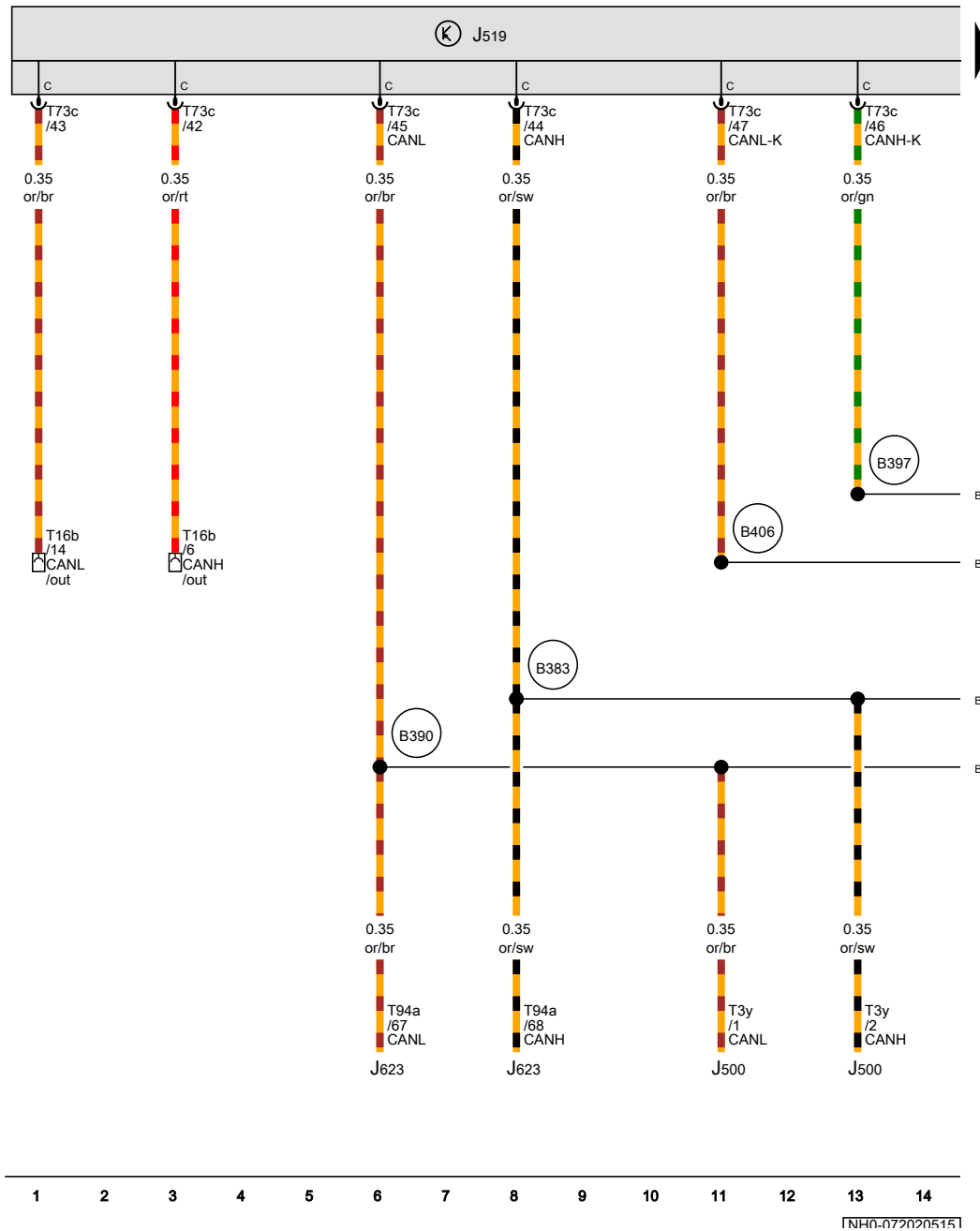
- J519 Onboard supply control unit
- J1070 Control unit for wireless data transfer, under seat on front left
- T18c 18-pin connector
- T73c 73-pin connector, black

- 379 Earth connection 14, in main wiring harness
- 639 Earth point, left A-pillar
- B316 Positive connection 2 (30a) in main wiring harness
- B383 Connection 1 (powertrain CAN bus, high), in main wiring harness
- B390 Connection 1 (powertrain CAN bus, low), in main wiring harness
- B397 Connection 1 (convenience CAN bus, high), in main wiring harness
- B406 Connection 1 (convenience CAN bus, low), in main wiring harness

[NH0-071030216]

Data bus network

From May 2015

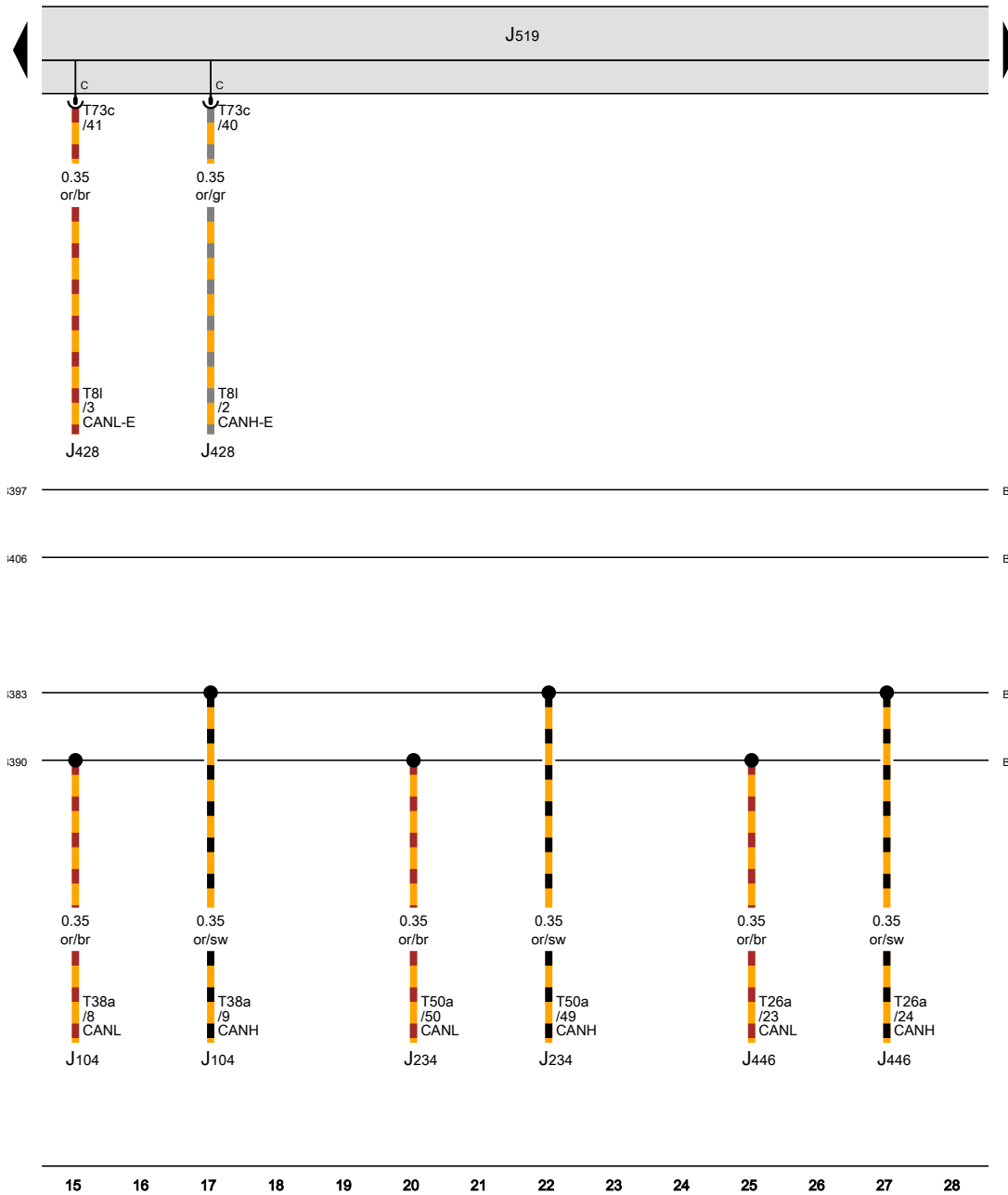


16-pin connector

- J500 Power steering control unit
- J519 Onboard supply control unit
- J623 Engine control unit
- T3y 3-pin connector
- T16b 16-pin connector, on diagnostic connection
- T73c 73-pin connector, black
- T94a 94-pin connector

- B383 Connection 1 (powertrain CAN bus, high), in main wiring harness
- B390 Connection 1 (powertrain CAN bus, low), in main wiring harness
- B397 Connection 1 (convenience CAN bus, high), in main wiring harness
- B406 Connection 1 (convenience CAN bus, low), in main wiring harness

- ws = white
- sw = black
- ro = red
- rt = red
- br = brown
- gn = green
- bl = blue
- gr = grey
- li = purple
- vi = purple
- ge = yellow
- or = orange
- rs = pink

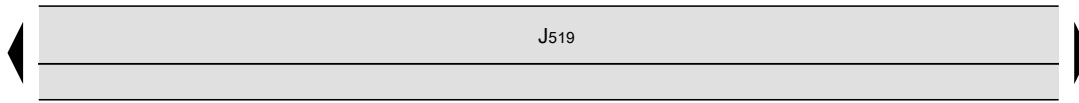


- J104 ABS control unit
- J234 Airbag control unit
- J428 Adaptive cruise control unit
- J446 Parking aid control unit
- J519 Onboard supply control unit
- T81 8-pin connector
- T26a 26-pin connector
- T38a 38-pin connector
- T50a 50-pin connector
- T73c 73-pin connector, black

- B383** Connection 1 (powertrain CAN bus, high), in main wiring harness
- B390** Connection 1 (powertrain CAN bus, low), in main wiring harness
- B397** Connection 1 (convenience CAN bus, high), in main wiring harness
- B406** Connection 1 (convenience CAN bus, low), in main wiring harness

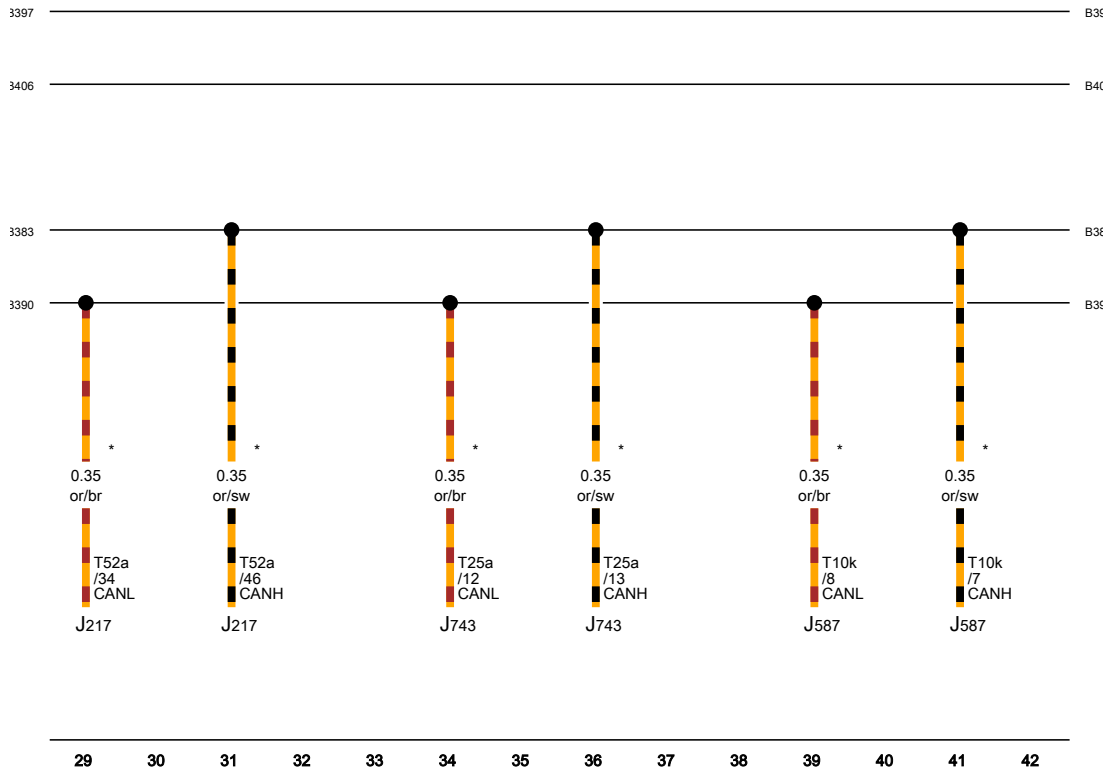
- ws = white
- sw = black
- ro = red
- rt = red
- br = brown
- gn = green
- bl = blue
- gr = grey
- li = purple
- vi = purple
- ge = yellow
- or = orange
- rs = pink

[NH0-072030515]



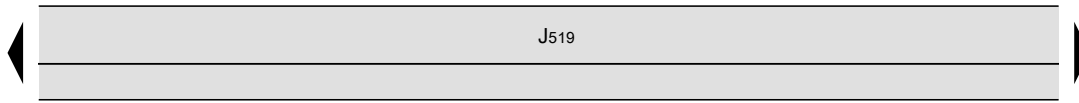
- J217 Automatic gearbox control unit
- J519 Onboard supply control unit
- J587 Selector lever sensors control unit
- J743 Mechatronic unit for dual clutch gearbox
- T10k 10-pin connector
- T25a 25-pin connector
- T52a 52-pin connector

- B383 Connection 1 (powertrain CAN bus, high), in main wiring harness
- B390 Connection 1 (powertrain CAN bus, low), in main wiring harness
- B397 Connection 1 (convenience CAN bus, high), in main wiring harness
- B406 Connection 1 (convenience CAN bus, low), in main wiring harness
- * According to equipment



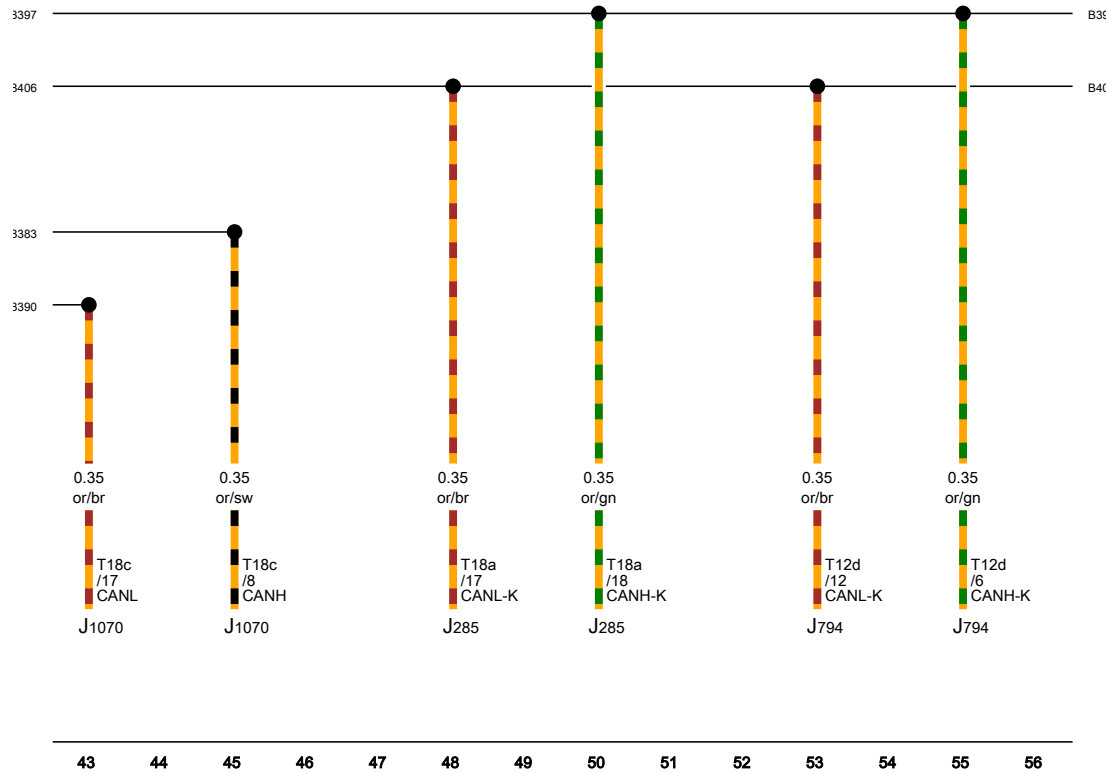
- ws = white
- sw = black
- ro = red
- rt = red
- br = brown
- gn = green
- bl = blue
- gr = grey
- li = purple
- vi = purple
- ge = yellow
- or = orange
- rs = pink

[NH0-072040515]



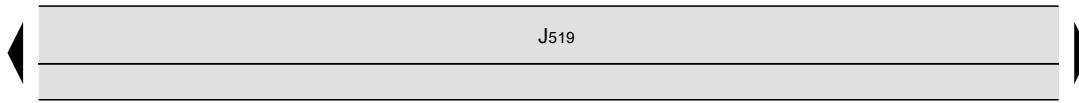
- J285 Control unit in dash panel insert
- J519 Onboard supply control unit
- J794 Control unit 1 for information electronics
- J1070 Control unit for wireless data transfer, under seat on front left
- T12d 12-pin connector, grey
- T18a 18-pin connector
- T18c 18-pin connector

- B383 Connection 1 (powertrain CAN bus, high), in main wiring harness
- B390 Connection 1 (powertrain CAN bus, low), in main wiring harness
- B397 Connection 1 (convenience CAN bus, high), in main wiring harness
- B406 Connection 1 (convenience CAN bus, low), in main wiring harness

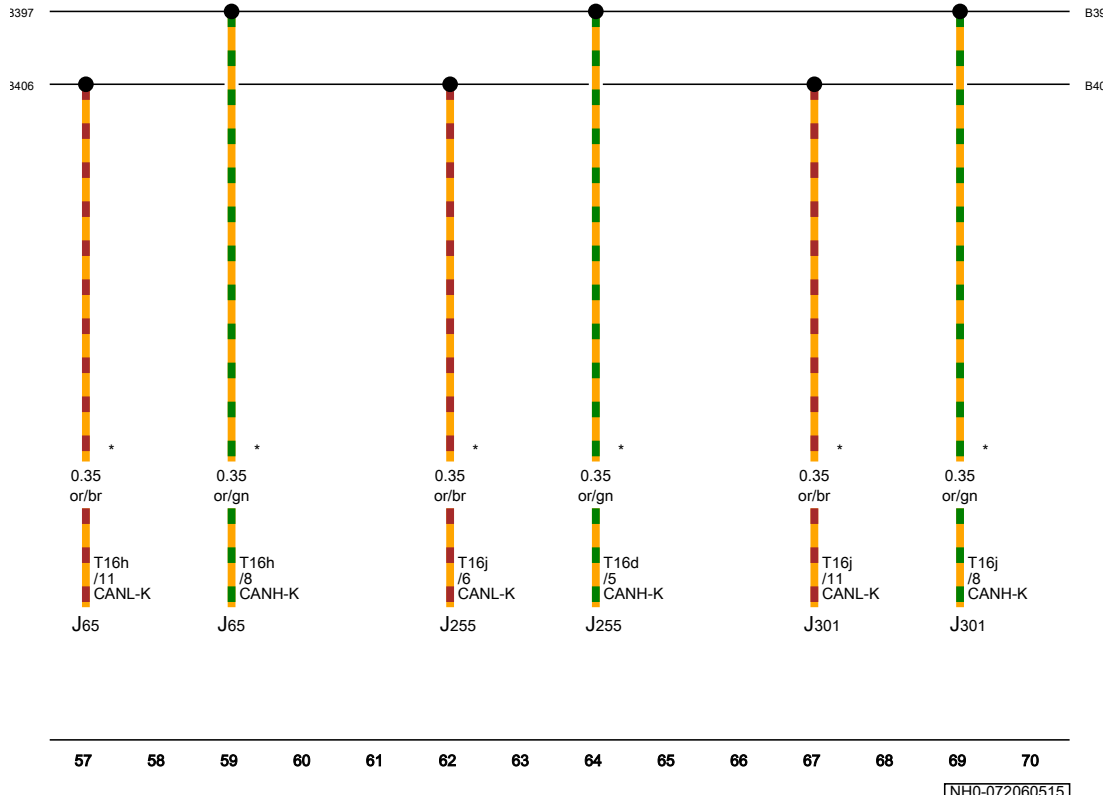


- ws = white
- sw = black
- ro = red
- rt = red
- br = brown
- gn = green
- bl = blue
- gr = grey
- li = purple
- vi = purple
- ge = yellow
- or = orange
- rs = pink

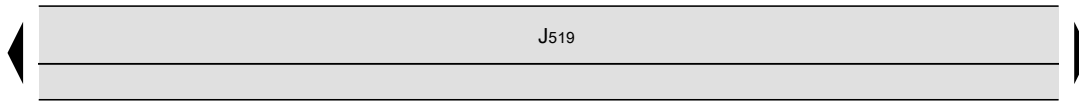
[NH0-072050515]



- J65 Heater control unit
- J255 Climatronic control unit
- J301 Air conditioning system control unit
- J519 Onboard supply control unit
- T16d 16-pin connector
- T16h 16-pin connector
- T16j 16-pin connector
- B397 Connection 1 (convenience CAN bus, high), in main wiring harness
- B406 Connection 1 (convenience CAN bus, low), in main wiring harness
- * According to equipment



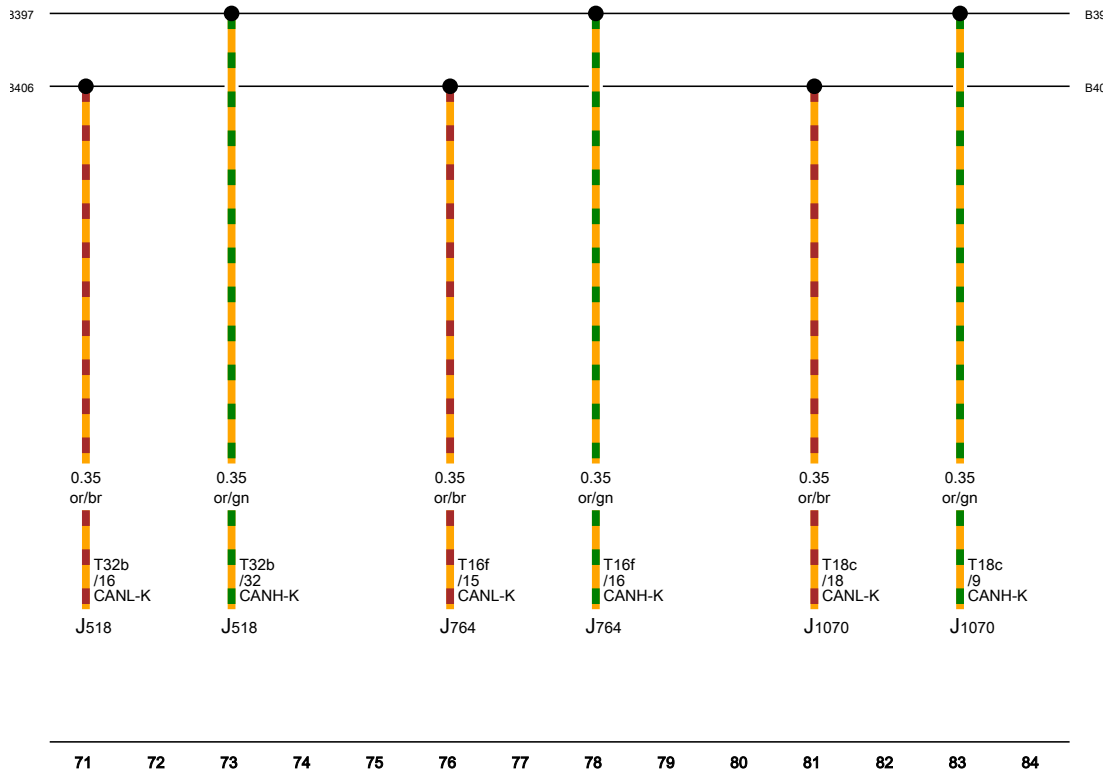
- ws = white
- sw = black
- ro = red
- rt = red
- br = brown
- gn = green
- bl = blue
- gr = grey
- li = purple
- vi = purple
- ge = yellow
- or = orange
- rs = pink



- J518 Entry and start authorisation control unit
- J519 Onboard supply control unit
- J764 Control unit for electronic steering column lock
- J1070 Control unit for wireless data transfer, under seat on front left
- T16f 16-pin connector
- T18c 18-pin connector
- T32b 32-pin connector

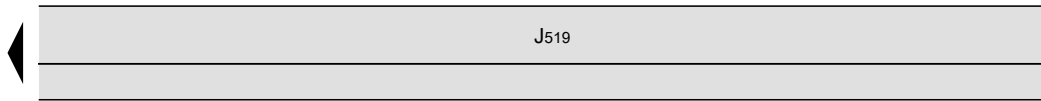
B397 Connection 1 (convenience CAN bus, high), in main wiring harness

B406 Connection 1 (convenience CAN bus, low), in main wiring harness



- ws = white
- sw = black
- ro = red
- rt = red
- br = brown
- gn = green
- bl = blue
- gr = grey
- li = purple
- vi = purple
- ge = yellow
- or = orange
- rs = pink

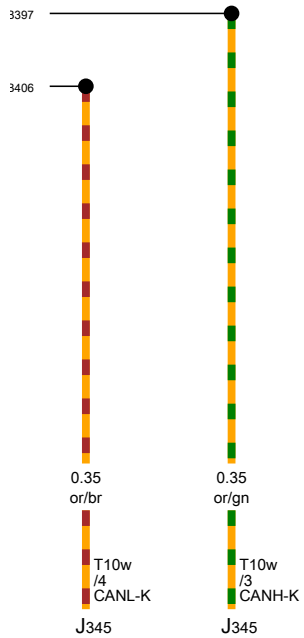
[NH0-072070515]



- J345 Trailer detector control unit, on right in luggage compartment
- J519 Onboard supply control unit
- T10w 10-pin connector

B397 Connection 1 (convenience CAN bus, high), in main wiring harness

B406 Connection 1 (convenience CAN bus, low), in main wiring harness



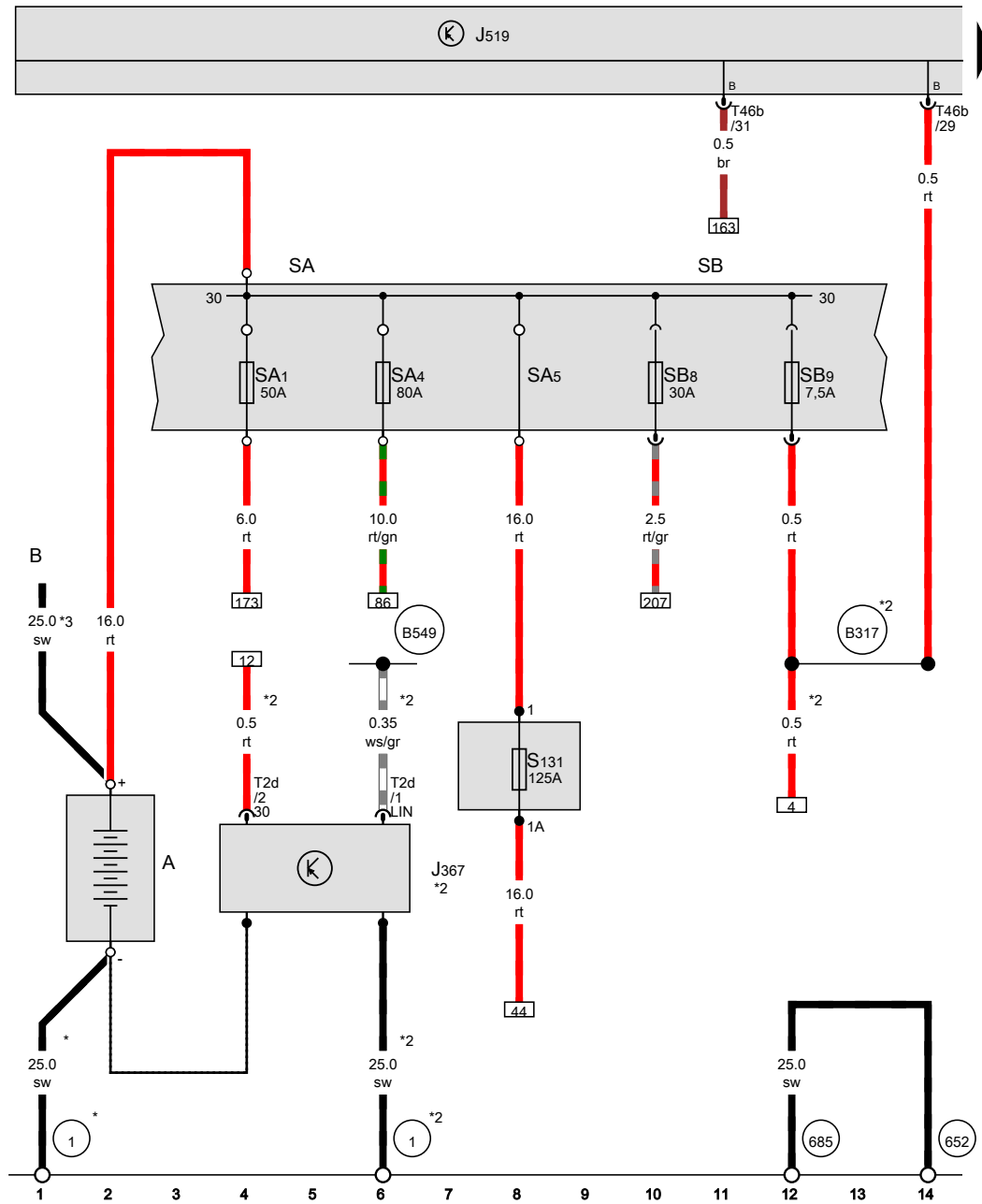
- ws = white
- sw = black
- ro = red
- rt = red
- br = brown
- gn = green
- bl = blue
- gr = grey
- li = purple
- vi = purple
- ge = yellow
- or = orange
- rs = pink

85 86 87 88 89 90 91 92 93 94 95 96 97 98

[NH0-072080515]

Basic equipment

From November 2015



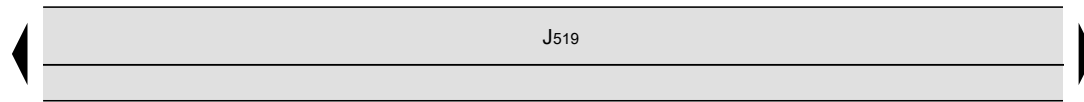
Battery, Battery monitor control unit, Fuse holder A, Fuse holder B

- A Battery
- B Starter
- J367 Battery monitor control unit
- J519 Onboard supply control unit
- SA Fuse holder A
- SA1 Fuse 1 in fuse holder A
- SA4 Fuse 4 in fuse holder A
- SA5 Fuse 5 in fuse holder A
- SB Fuse holder B
- SB8 Fuse 8 on fuse holder B
- SB9 Fuse 9 on fuse holder B
- S131 Fuse 1, in main wiring harness
- T2d 2-pin connector
- T46b 46-pin connector, brown

- 1 Earth strap, battery - body
- 652 Earth point, engine and gearbox earth
- 685 Earth point 1 at front of right longitudinal member
- B317 Positive connection 3 (30a) in main wiring harness
- B549 Connection 2 (LIN bus) in main wiring harness
- * Only models with no start/stop system
- *2 Only models with start/stop system
- *3 see applicable current flow diagram for engine

- ws = white
- sw = black
- ro = red
- rt = red
- br = brown
- gn = green
- bl = blue
- gr = grey
- li = purple
- vi = purple
- ge = yellow
- or = orange
- rs = pink

[NH0-073020516]



Fuse holder C

- E1 Light switch
- E45 Cruise control system switch
- J234 Airbag control unit
- J293 Radiator fan control unit
- J519 Onboard supply control unit
- SC Fuse holder C
- SC29 Fuse 29 on fuse holder C
- SC30 Fuse 30 on fuse holder C
- SC31 Fuse 31 on fuse holder C
- SC32 Fuse 32 on fuse holder C
- T10e 10-pin connector

B277 Positive connection 1 (15a) in main wiring harness

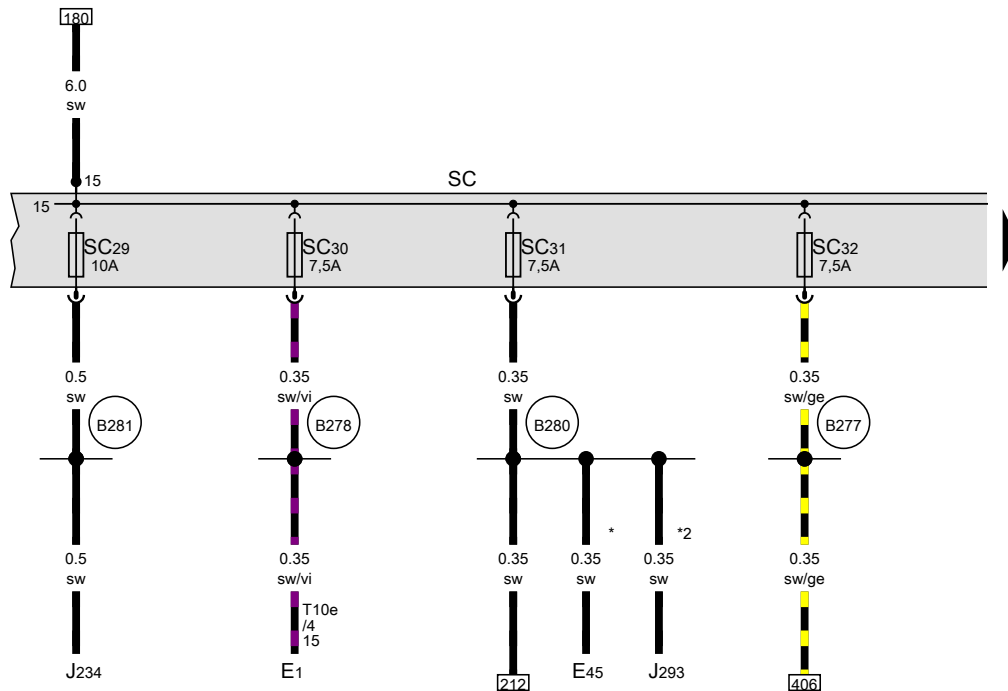
B278 Positive connection 2 (15a) in main wiring harness

B280 Positive connection 4 (15a) in main wiring harness

B281 Positive connection 5 (15a) in main wiring harness

* Only models with cruise control system (CCS)

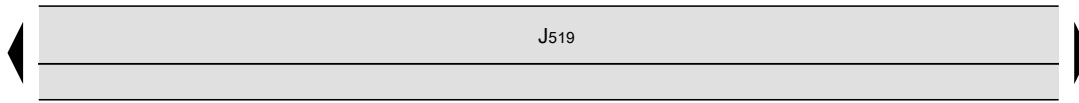
*2 According to equipment



- ws = white
- sw = black
- ro = red
- rt = red
- br = brown
- gn = green
- bl = blue
- gr = grey
- li = purple
- vi = purple
- ge = yellow
- or = orange
- rs = pink

15 16 17 18 19 20 21 22 23 24 25 26 27 28

[NH0-073030516]

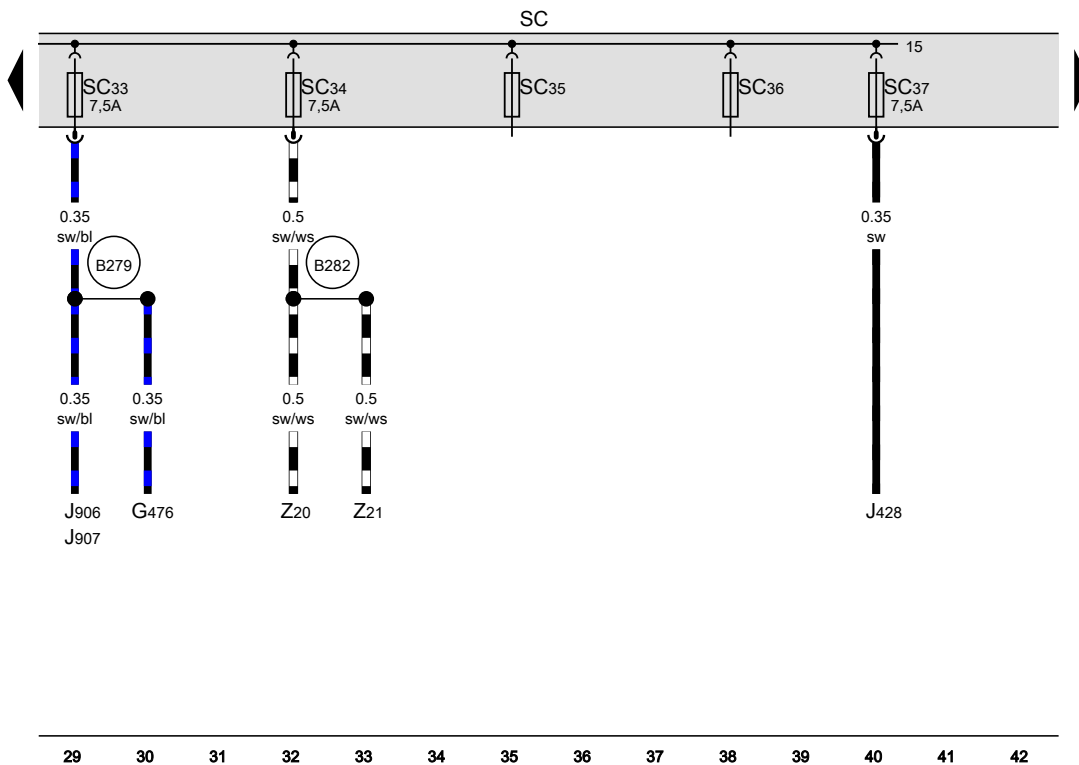


Fuse holder C

- G476 Clutch position sender
- J428 Adaptive cruise control unit
- J519 Onboard supply control unit
- J906 Starter relay 1
- J907 Starter relay 2
- SC Fuse holder C
- SC33 Fuse 33 on fuse holder C
- SC34 Fuse 34 on fuse holder C
- SC35 Fuse 35 on fuse holder C
- SC36 Fuse 36 on fuse holder C
- SC37 Fuse 37 on fuse holder C
- Z20 Left washer jet heater element
- Z21 Right washer jet heater element

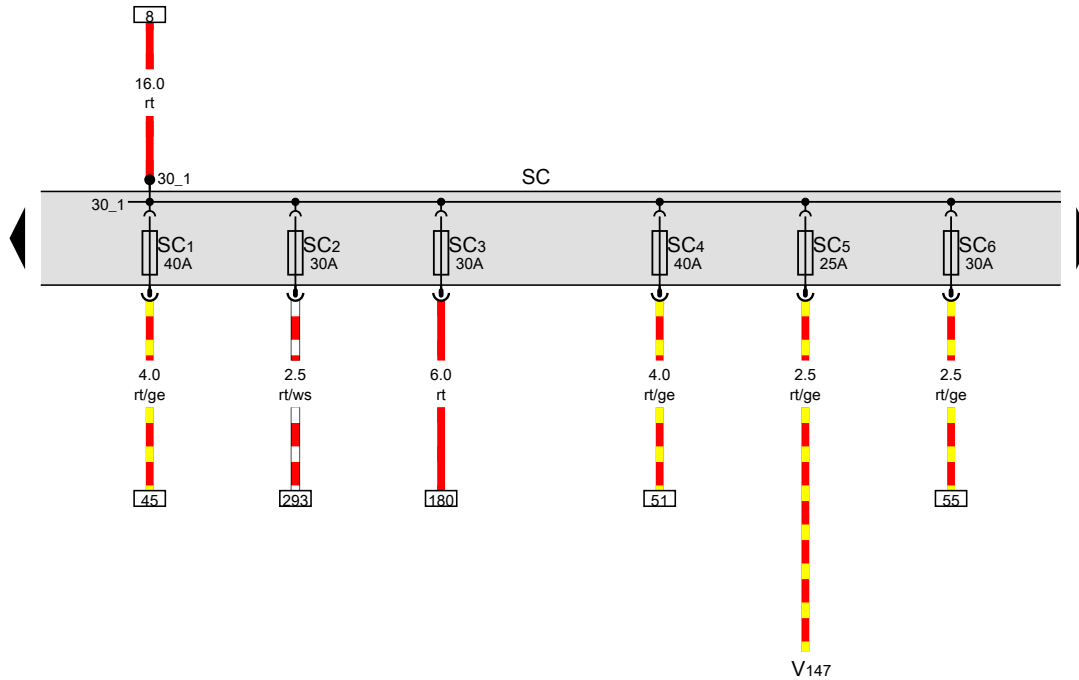
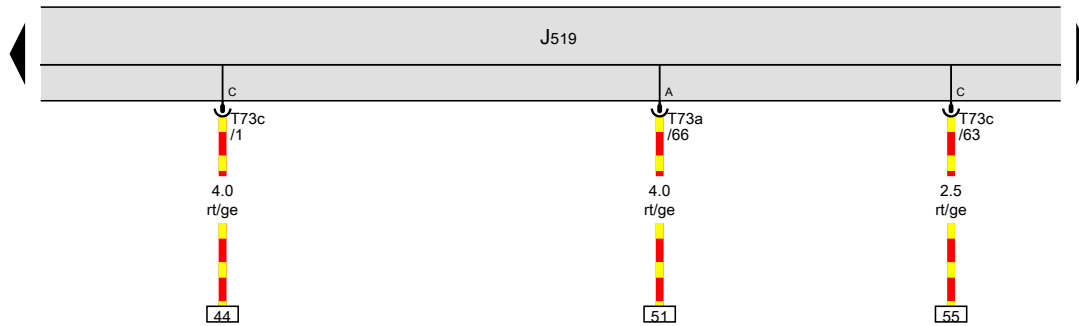
B279 Positive connection 3 (15a) in main wiring harness

B282 Positive connection 6 (15a) in main wiring harness



- ws = white
- sw = black
- ro = red
- rt = red
- br = brown
- gn = green
- bl = blue
- gr = grey
- li = purple
- vi = purple
- ge = yellow
- or = orange
- rs = pink

[NH0-073040516]



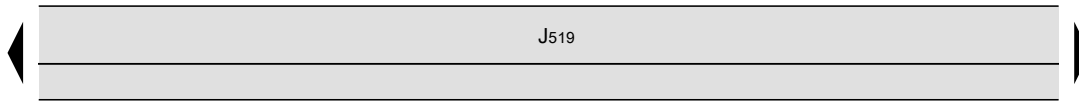
Fuse holder C

- J519 Onboard supply control unit
- SC Fuse holder C
- SC1 Fuse 1 on fuse holder C
- SC2 Fuse 2 on fuse holder C
- SC3 Fuse 3 on fuse holder C
- SC4 Fuse 4 on fuse holder C
- SC5 Fuse 5 on fuse holder C
- SC6 Fuse 6 on fuse holder C
- T73a 73-pin connector, black
- T73c 73-pin connector, black
- V147 Driver side window regulator motor

- ws = white
- sw = black
- ro = red
- rt = red
- br = brown
- gn = green
- bl = blue
- gr = grey
- li = purple
- vi = purple
- ge = yellow
- or = orange
- rs = pink

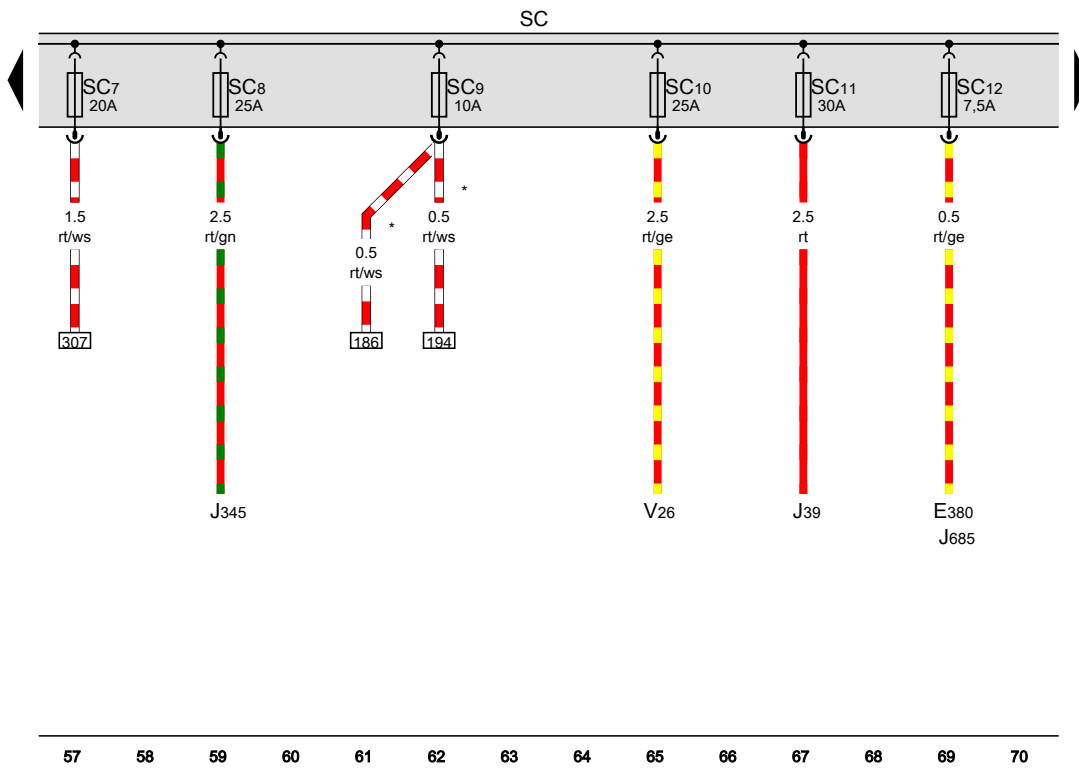
43 44 45 46 47 48 49 50 51 52 53 54 55 56

[NH0-073050516]



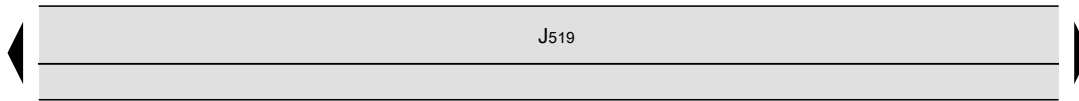
Fuse holder C

- E380 Multimedia system operating unit
- J39 Headlight washer system relay
- J345 Trailer detector control unit, on right in luggage compartment
- J519 Onboard supply control unit
- J685 Display unit for front information display and operating unit control unit
- SC Fuse holder C
- SC7 Fuse 7 on fuse holder C
- SC8 Fuse 8 on fuse holder C
- SC9 Fuse 9 on fuse holder C
- SC10 Fuse 10 on fuse holder C
- SC11 Fuse 11 on fuse holder C
- SC12 Fuse 12 on fuse holder C
- V26 Rear left window regulator motor
- * Only models with no entry and start authorisation



- ws = white
- sw = black
- ro = red
- rt = red
- br = brown
- gn = green
- bl = blue
- gr = grey
- li = purple
- vi = purple
- ge = yellow
- or = orange
- rs = pink

[NH0-073060516]



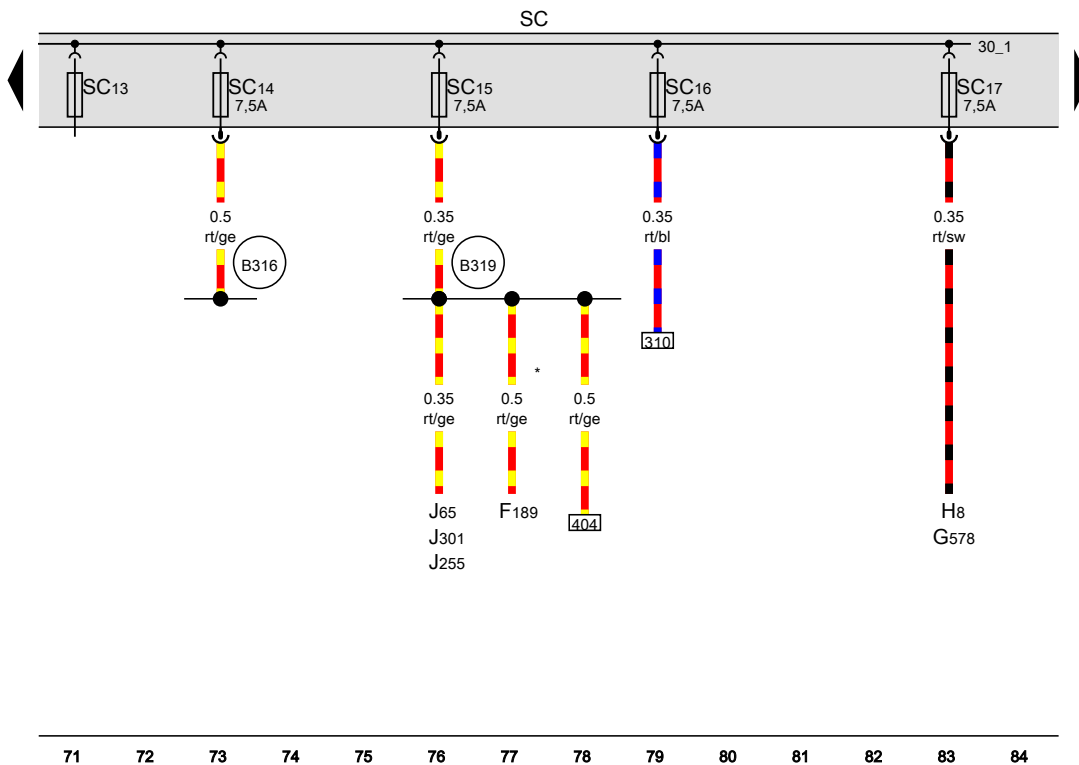
Fuse holder C

- F189 Tiptronic switch
- G578 Anti-theft alarm sensor
- H8 Anti-theft alarm system horn
- J65 Heater control unit
- J255 Climatronic control unit
- J301 Air conditioning system control unit
- J519 Onboard supply control unit
- SC Fuse holder C
- SC13 Fuse 13 on fuse holder C
- SC14 Fuse 14 on fuse holder C
- SC15 Fuse 15 on fuse holder C
- SC16 Fuse 16 on fuse holder C
- SC17 Fuse 17 on fuse holder C

B316 Positive connection 2 (30a) in main wiring harness

B319 Positive connection 5 (30a) in main wiring harness

* Only models with automatic gearbox



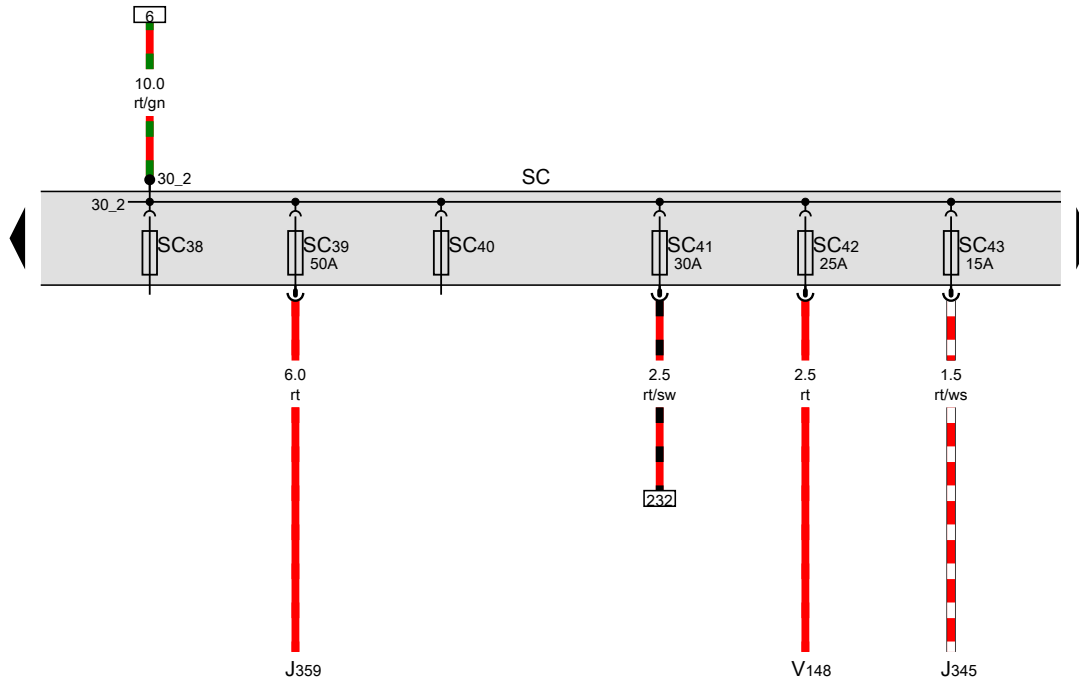
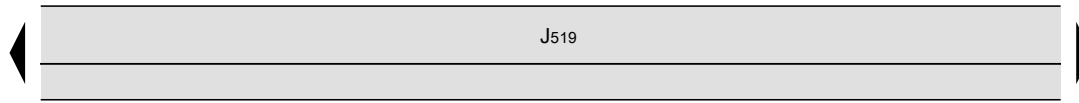
- ws = white
- sw = black
- ro = red
- rt = red
- br = brown
- gn = green
- bl = blue
- gr = grey
- li = purple
- vi = purple
- ge = yellow
- or = orange
- rs = pink

71 72 73 74 75 76 77 78 79 80 81 82 83 84

[NH0-073070516]

Fuse holder C

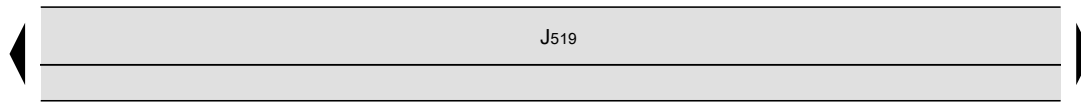
- J345 Trailer detector control unit, on right in luggage compartment
- J359 Low heat output relay
- J519 Onboard supply control unit
- SC Fuse holder C
- SC38 Fuse 38 on fuse holder C
- SC39 Fuse 39 on fuse holder C
- SC40 Fuse 40 on fuse holder C
- SC41 Fuse 41 on fuse holder C
- SC42 Fuse 42 on fuse holder C
- SC43 Fuse 43 on fuse holder C
- V148 Front passenger side window regulator motor



- ws = white
- sw = black
- ro = red
- rt = red
- br = brown
- gn = green
- bl = blue
- gr = grey
- li = purple
- vi = purple
- ge = yellow
- or = orange
- rs = pink

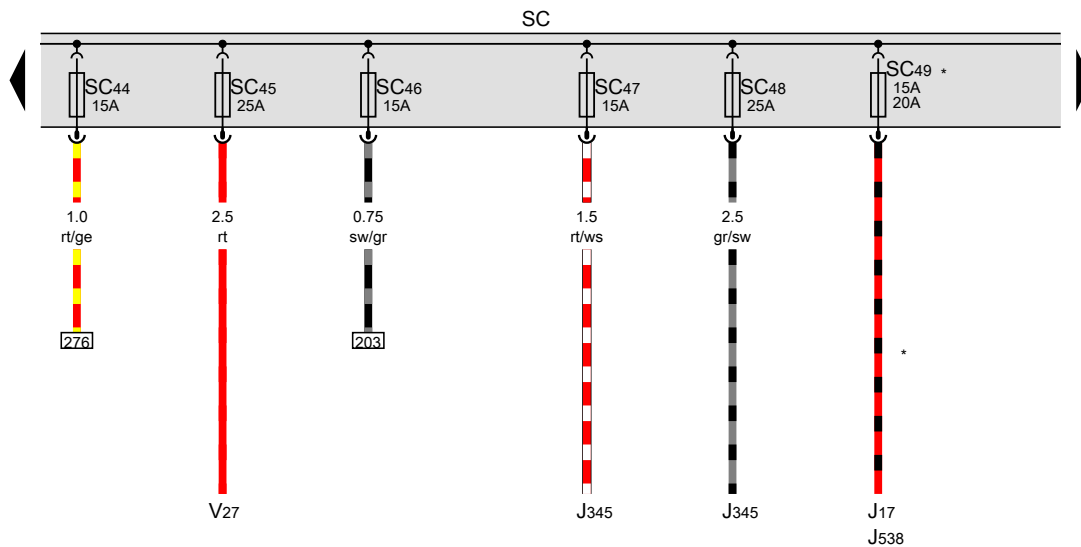
85 86 87 88 89 90 91 92 93 94 95 96 97 98

[NH0-073080516]



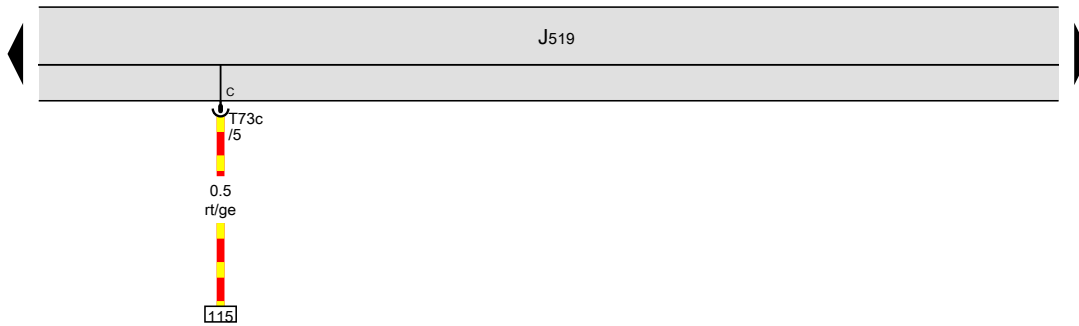
Fuse holder C

- J17 Fuel pump relay
- J345 Trailer detector control unit, on right in luggage compartment
- J519 Onboard supply control unit
- J538 Fuel pump control unit
- SC Fuse holder C
- SC44 Fuse 44 on fuse holder C
- SC45 Fuse 45 on fuse holder C
- SC46 Fuse 46 on fuse holder C
- SC47 Fuse 47 on fuse holder C
- SC48 Fuse 48 on fuse holder C
- SC49 Fuse 49 on fuse holder C
- V27 Rear right window regulator motor
- * see applicable current flow diagram for engine



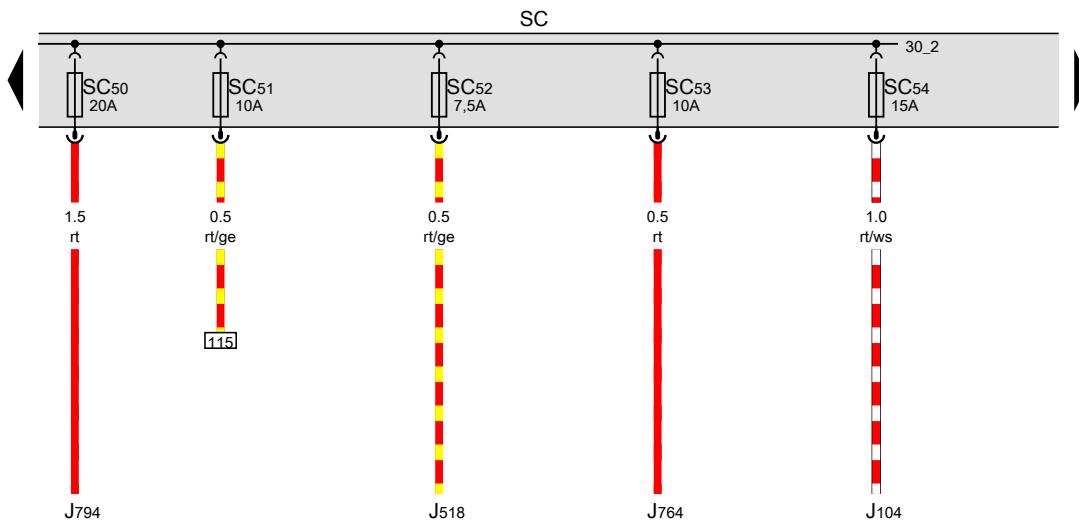
99 100 101 102 103 104 105 106 107 108 109 110 111 112

[NH0-073090516]



Fuse holder C

- J104 ABS control unit
- J518 Entry and start authorisation control unit
- J519 Onboard supply control unit
- J764 Control unit for electronic steering column lock
- J794 Control unit 1 for information electronics
- SC Fuse holder C
- SC50 Fuse 50 on fuse holder C
- SC51 Fuse 51 on fuse holder C
- SC52 Fuse 52 on fuse holder C
- SC53 Fuse 53 on fuse holder C
- SC54 Fuse 54 on fuse holder C
- T73c 73-pin connector, black



- ws = white
- sw = black
- ro = red
- rt = red
- br = brown
- gn = green
- bl = blue
- gr = grey
- li = purple
- vi = purple
- ge = yellow
- or = orange
- rs = pink

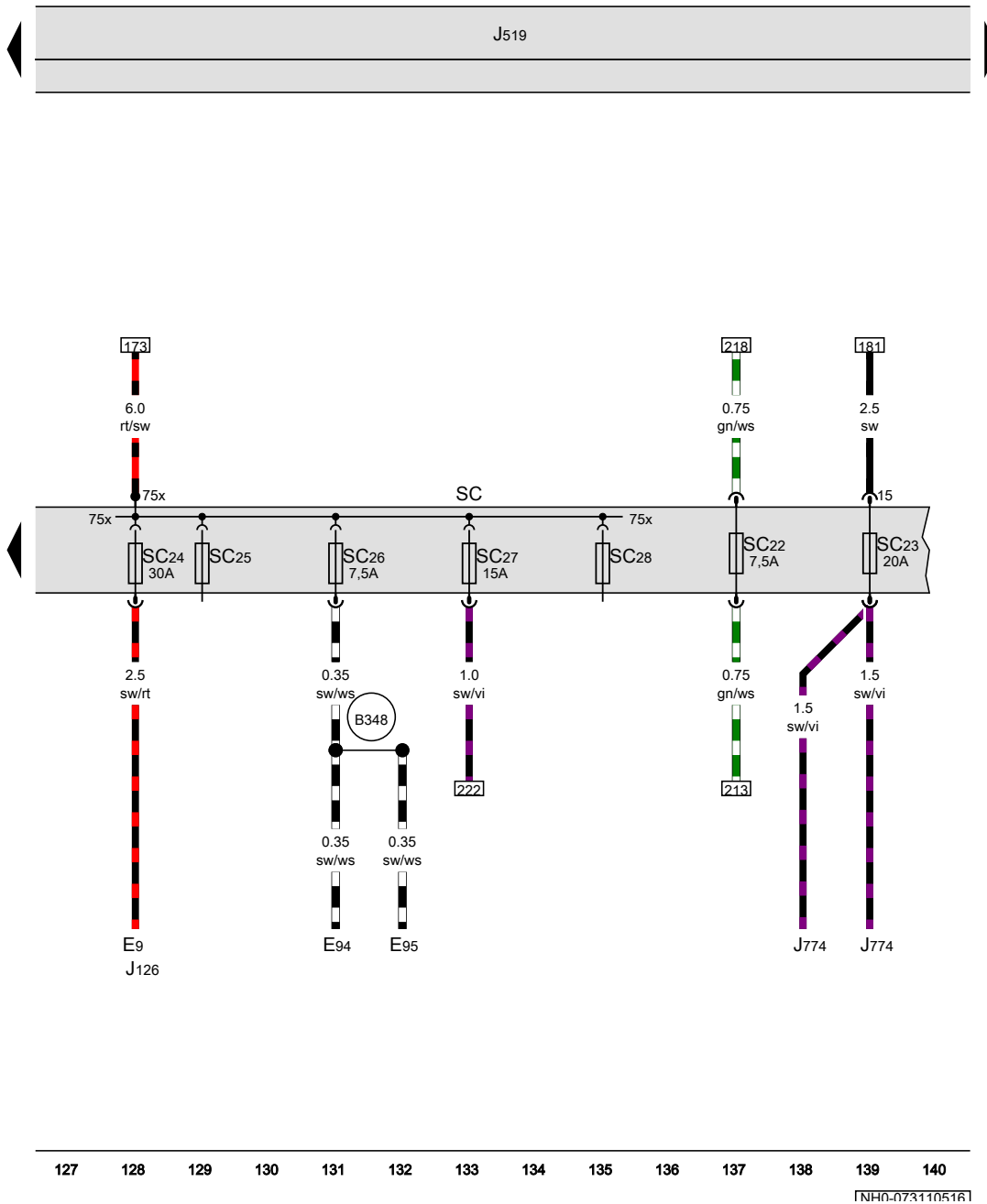
113 114 115 116 117 118 119 120 121 122 123 124 125 126

[NH0-073100516]

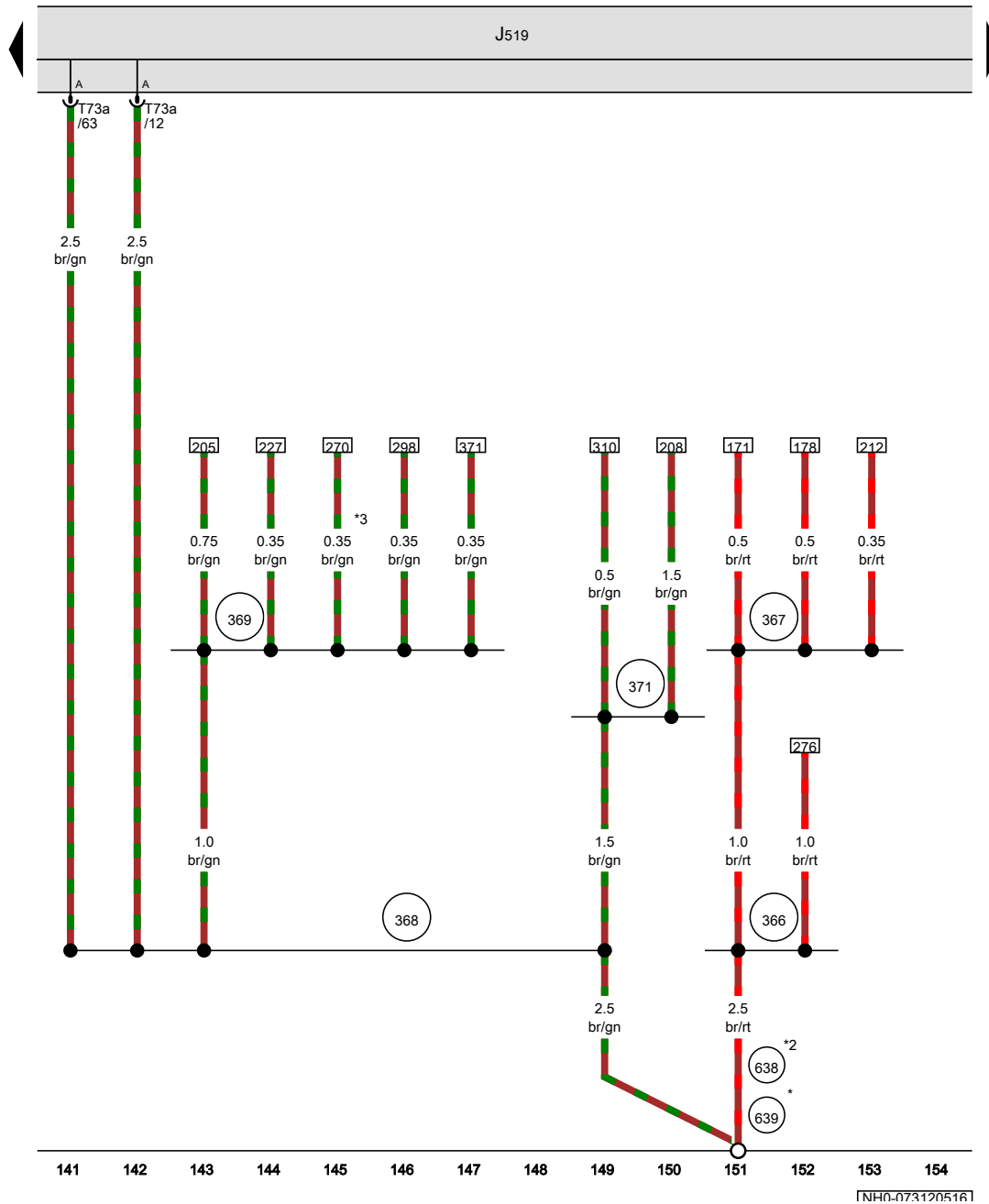
Fuse holder C

- E9 Fresh air blower switch
- E94 Heated driver seat regulator
- E95 Heated front passenger seat regulator
- J126 Fresh air blower control unit
- J519 Onboard supply control unit
- J774 Heated front seats control unit, behind dash panel, centre
- SC Fuse holder C
- SC22 Fuse 22 on fuse holder C
- SC23 Fuse 23 on fuse holder C
- SC24 Fuse 24 on fuse holder C
- SC25 Fuse 25 on fuse holder C
- SC26 Fuse 26 on fuse holder C
- SC27 Fuse 27 on fuse holder C
- SC28 Fuse 28 on fuse holder C

B348 Connection 1 (75a), in main wiring harness



[NH0-073110516]

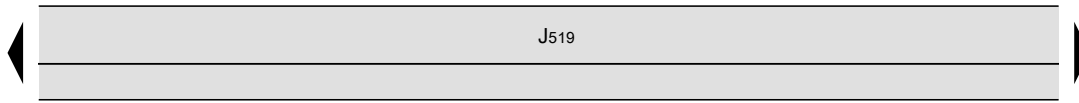


- J519 Onboard supply control unit
- T73a 73-pin connector, black
- 366 Earth connection 1, in main wiring harness
- 367 Earth connection 2, in main wiring harness
- 368 Earth connection 3, in main wiring harness
- 369 Earth connection 4, in main wiring harness
- 371 Earth connection 6, in main wiring harness
- 638 Earth point, on right A-pillar
- 639 Earth point, left A-pillar

* Only left-hand drive models
 *2 Only right-hand drive models
 *3 Special equipment

ws = white
 sw = black
 ro = red
 rt = red
 br = brown
 gn = green
 bl = blue
 gr = grey
 li = purple
 vi = purple
 ge = yellow
 or = orange
 rs = pink

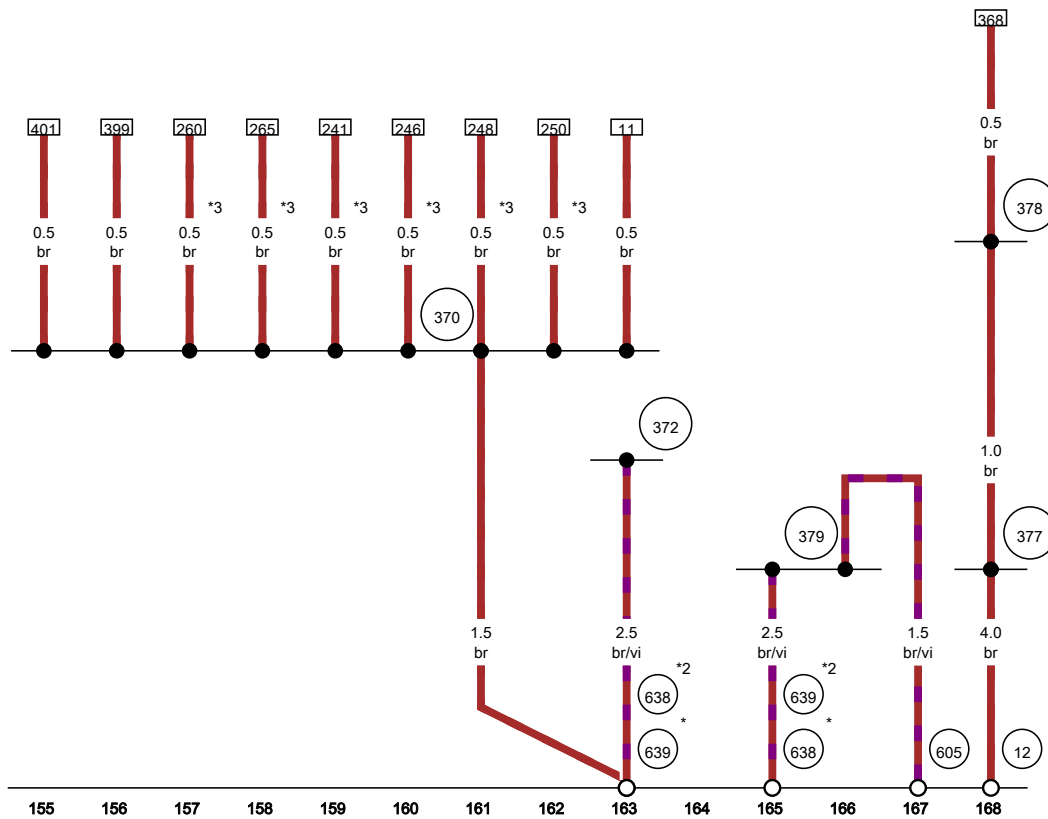
[NH0-073120516]



J519 Onboard supply control unit

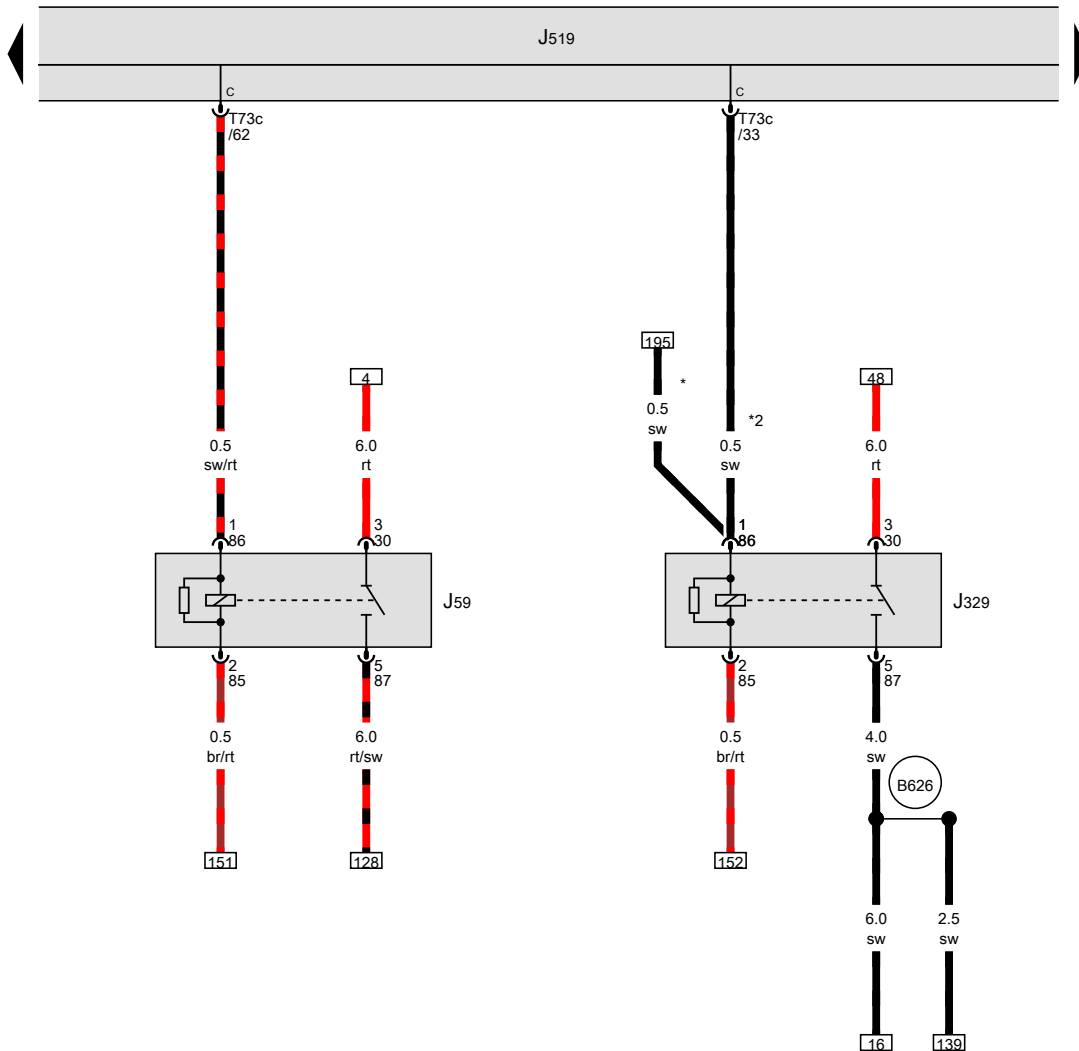
- 12 Earth point, on left in engine compartment
- 370 Earth connection 5, in main wiring harness
- 372 Earth connection 7, in main wiring harness
- 377 Earth connection 12, in main wiring harness
- 378 Earth connection 13, in main wiring harness
- 379 Earth connection 14, in main wiring harness
- 605 Earth point, on top end of steering column
- 638 Earth point, on right A-pillar
- 639 Earth point, left A-pillar

- * Only left-hand drive models
- *2 Only right-hand drive models
- *3 According to equipment



- ws = white
- sw = black
- ro = red
- rt = red
- br = brown
- gn = green
- bl = blue
- gr = grey
- li = purple
- vi = purple
- ge = yellow
- or = orange
- rs = pink

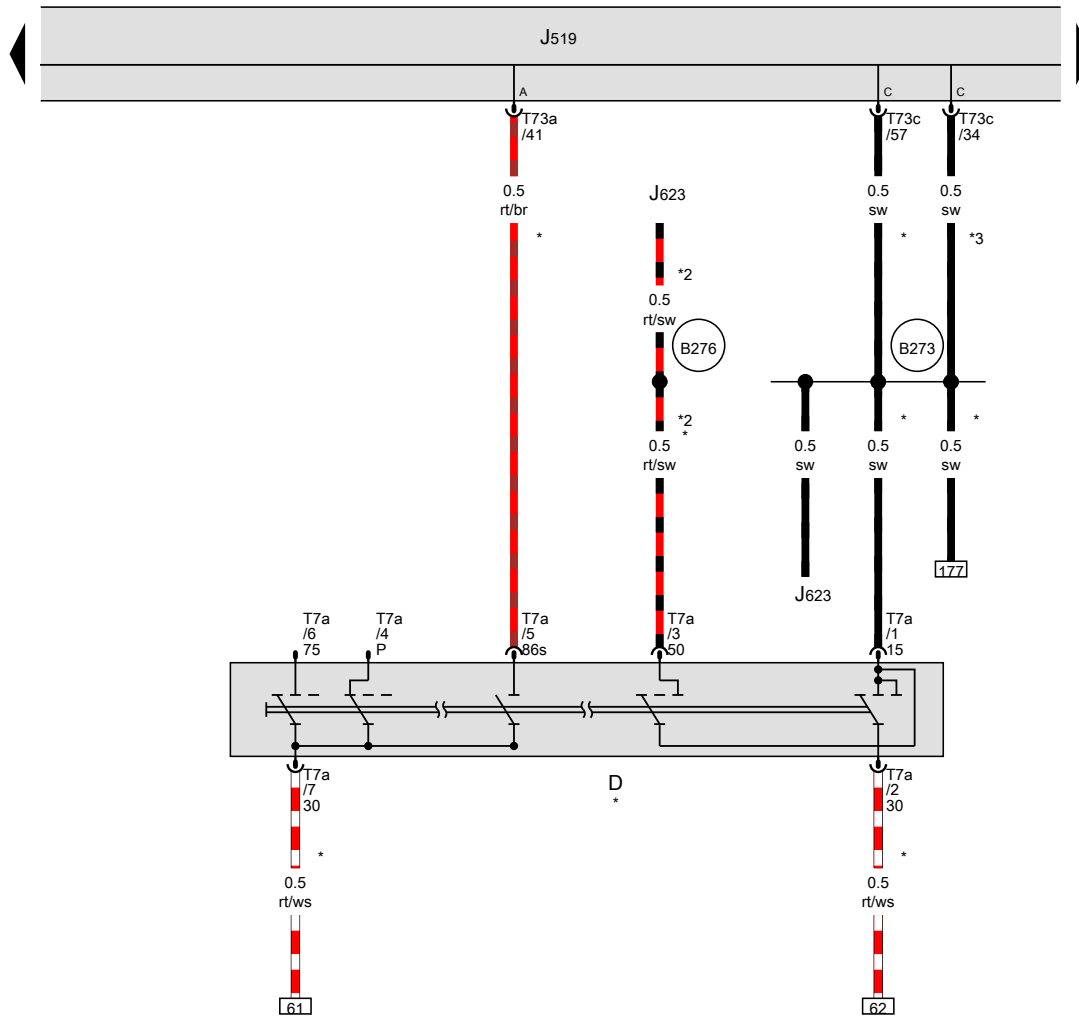
[NH0-073130516]



X-contact relief relay, Terminal 15 voltage supply relay

- J59 X-contact relief relay
- J329 Terminal 15 voltage supply relay
- J519 Onboard supply control unit
- T73c 73-pin connector, black
- B626** Positive connection 2 (15), in main wiring harness
- * Only models with no entry and start authorisation
- *2 Only models with entry and start authorisation

- ws = white
- sw = black
- ro = red
- rt = red
- br = brown
- gn = green
- bl = blue
- gr = grey
- li = purple
- vi = purple
- ge = yellow
- or = orange
- rs = pink



Ignition/starter switch

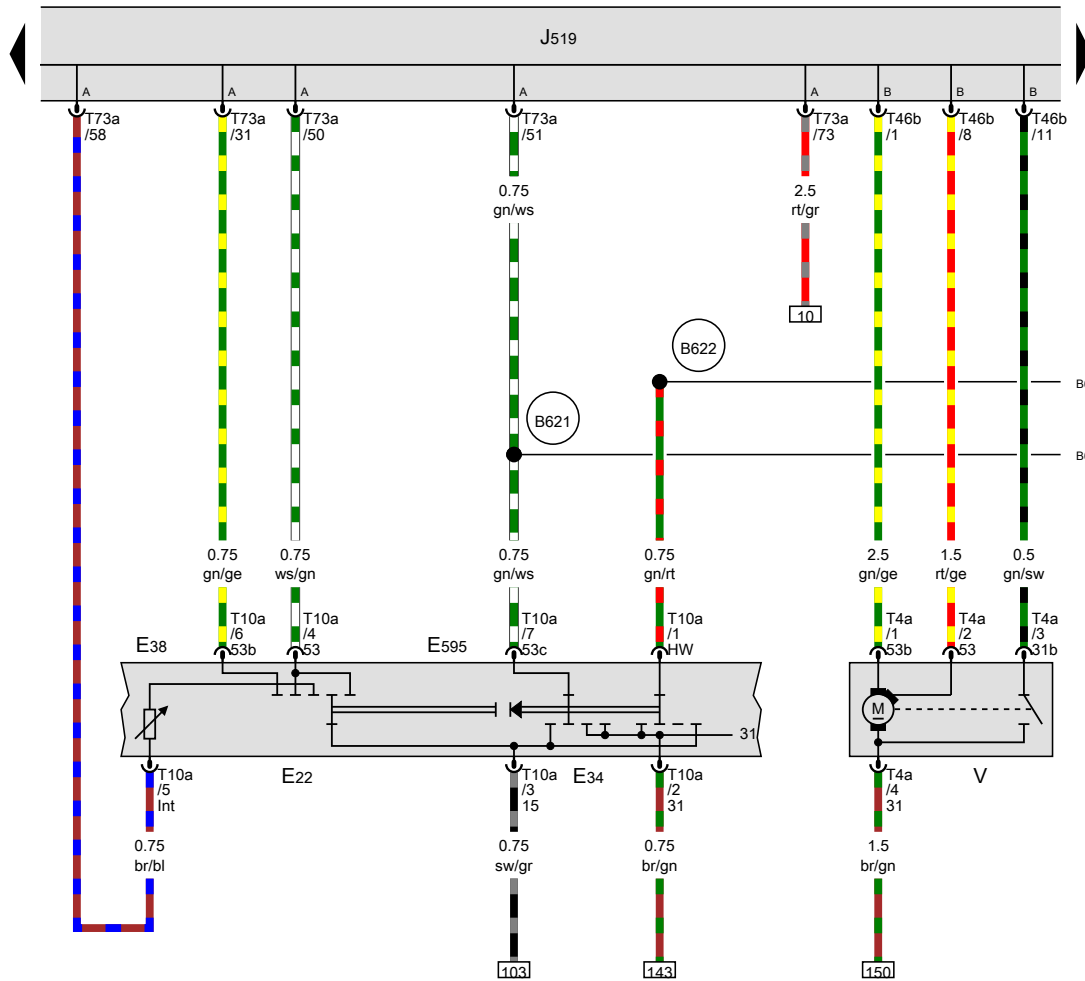
- D Ignition/starter switch
- J519 Onboard supply control unit
- J623 Engine control unit
- T7a 7-pin connector
- T73a 73-pin connector, black
- T73c 73-pin connector, black

(B273) Positive connection (15), in main wiring harness

(B276) Positive connection (50), in main wiring harness

- * Only models with no entry and start authorisation see applicable current flow diagram for engine
- *2 Only models with entry and start authorisation
- *3 Only models with entry and start authorisation

- ws = white
- sw = black
- ro = red
- rt = red
- br = brown
- gn = green
- bl = blue
- gr = grey
- li = purple
- vi = purple
- ge = yellow
- or = orange
- rs = pink



Intermittent wiper switch, Rear wiper switch, Intermittent wiper regulator, Steering column combination switch, Windscreen wiper motor

- E22 Intermittent wiper switch
- E34 Rear wiper switch
- E38 Intermittent wiper regulator
- E595 Steering column combination switch
- J519 Onboard supply control unit
- T4a 4-pin connector
- T10a 10-pin connector
- T46b 46-pin connector, brown
- T73a 73-pin connector, black
- V Windscreen wiper motor

- B621 Connection 1 (53c), in main wiring harness
- B622 Connection (windscreen wiper), in main wiring harness

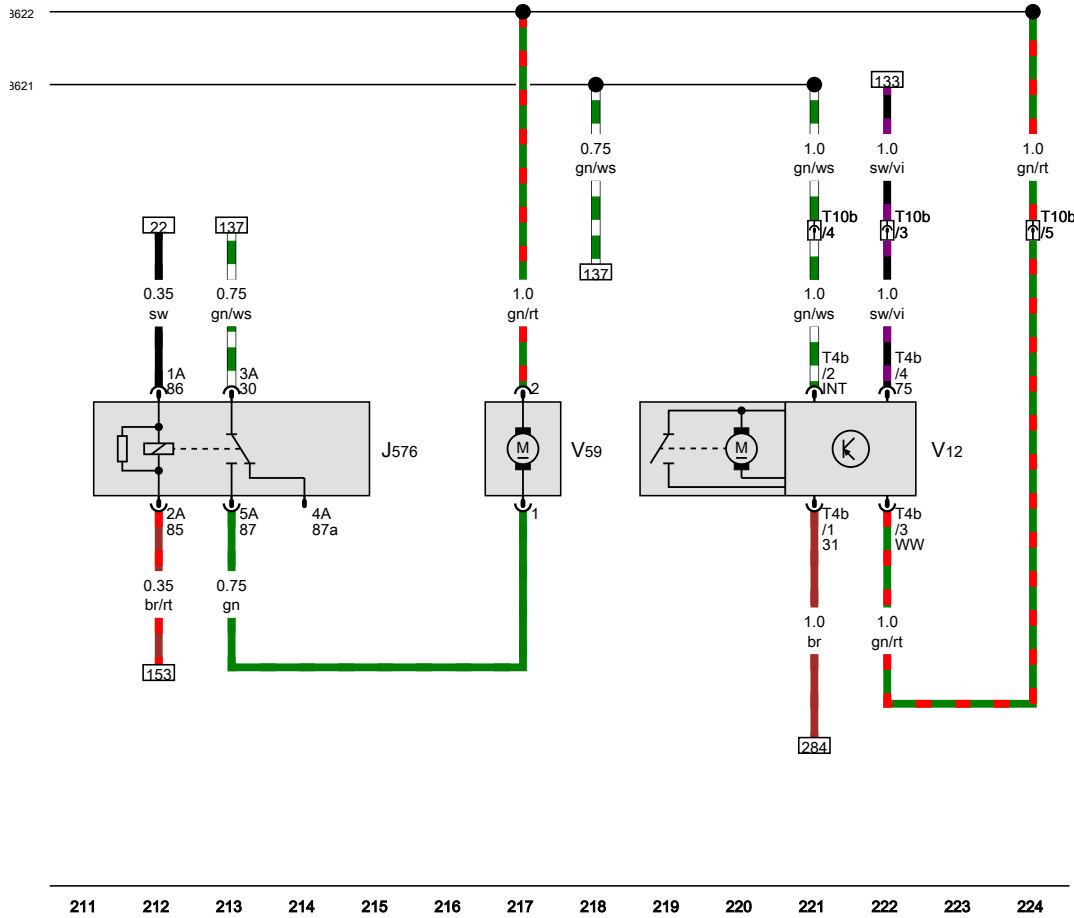
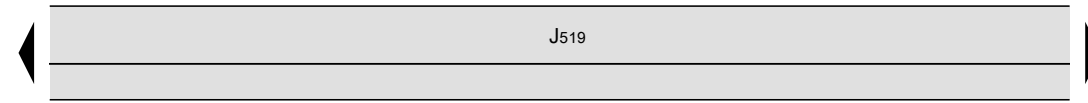
- ws = white
- sw = black
- ro = red
- rt = red
- br = brown
- gn = green
- bl = blue
- gr = grey
- li = purple
- vi = purple
- ge = yellow
- or = orange
- rs = pink

Washer pump relay, Rear window wiper motor, Windscreen and rear window washer pump

- J519 Onboard supply control unit
- J576 Washer pump relay
- T4b 4-pin connector
- T10b 10-pin connector
- V12 Rear window wiper motor
- V59 Windscreen and rear window washer pump

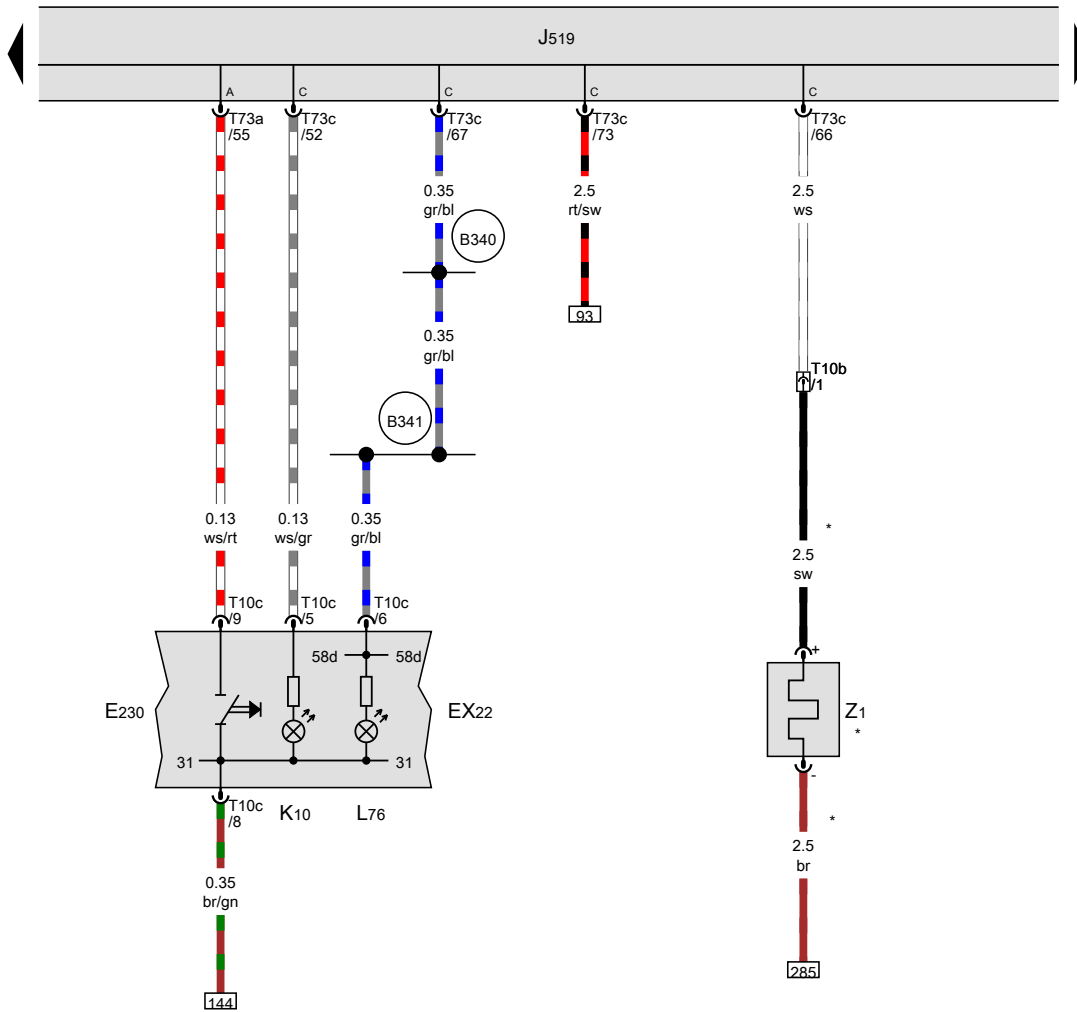
B621 Connection 1 (53c), in main wiring harness

B622 Connection (windscreen wiper), in main wiring harness



- ws = white
- sw = black
- ro = red
- rt = red
- br = brown
- gn = green
- bl = blue
- gr = grey
- li = purple
- vi = purple
- ge = yellow
- or = orange
- rs = pink

[NH0-073170516]



Centre switch module in dash panel, Heated rear window button, Heated rear window

- EX22 Centre switch module in dash panel
- E230 Heated rear window button
- J519 Onboard supply control unit
- K10 Heated rear window warning lamp
- L76 Button illumination bulb
- T10b 10-pin connector
- T10c 10-pin connector, black
- T73a 73-pin connector, black
- T73c 73-pin connector, black
- Z1 Heated rear window

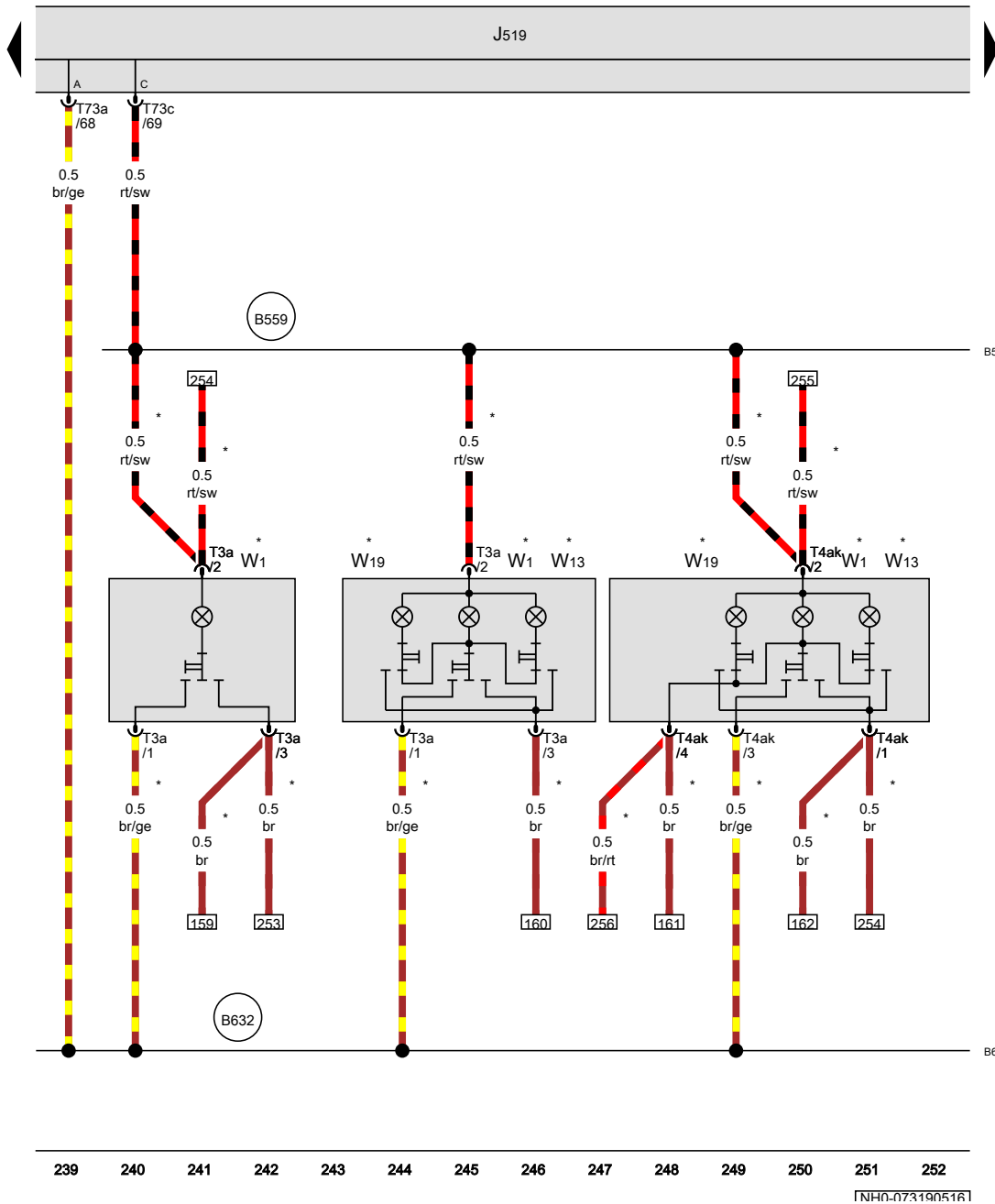
B340 Connection 1 (58d), in main wiring harness

B341 Connection 2 (58d), in main wiring harness

* Only models with no rear window aerial

- ws = white
- sw = black
- ro = red
- rt = red
- br = brown
- gn = green
- bl = blue
- gr = grey
- li = purple
- vi = purple
- ge = yellow
- or = orange
- rs = pink

Front interior light, Front passenger reading light, Driver side reading light



- J519 Onboard supply control unit
- T3a 3-pin connector
- T4ak 4-pin connector
- T73a 73-pin connector, black
- T73c 73-pin connector, black
- W1 Front interior light
- W13 Front passenger reading light
- W19 Driver side reading light
- B559 Positive connection 1 (30g), in main wiring harness
- B632 Connection (interior light, 31), in main wiring harness
- * According to equipment

- ws = white
- sw = black
- ro = red
- rt = red
- br = brown
- gn = green
- bl = blue
- gr = grey
- li = purple
- vi = purple
- ge = yellow
- or = orange
- rs = pink

[NH0-073190516]

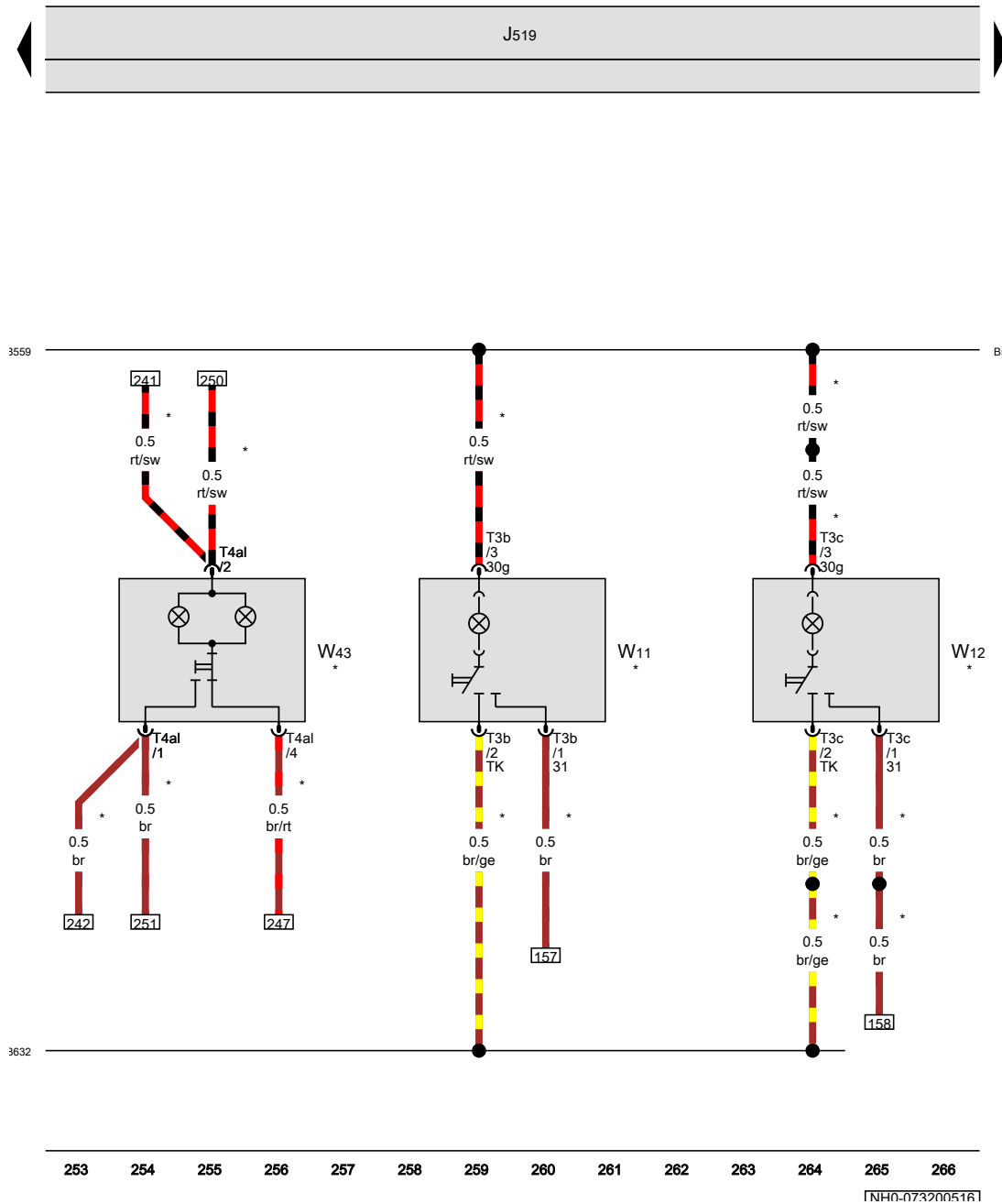
Rear left reading light, Rear right reading light, Rear interior light

- J519 Onboard supply control unit
- T3b 3-pin connector
- T3c 3-pin connector
- T4al 4-pin connector
- W11 Rear left reading light
- W12 Rear right reading light
- W43 Rear interior light

B559 Positive connection 1 (30g), in main wiring harness

B632 Connection (interior light, 31), in main wiring harness

* According to equipment



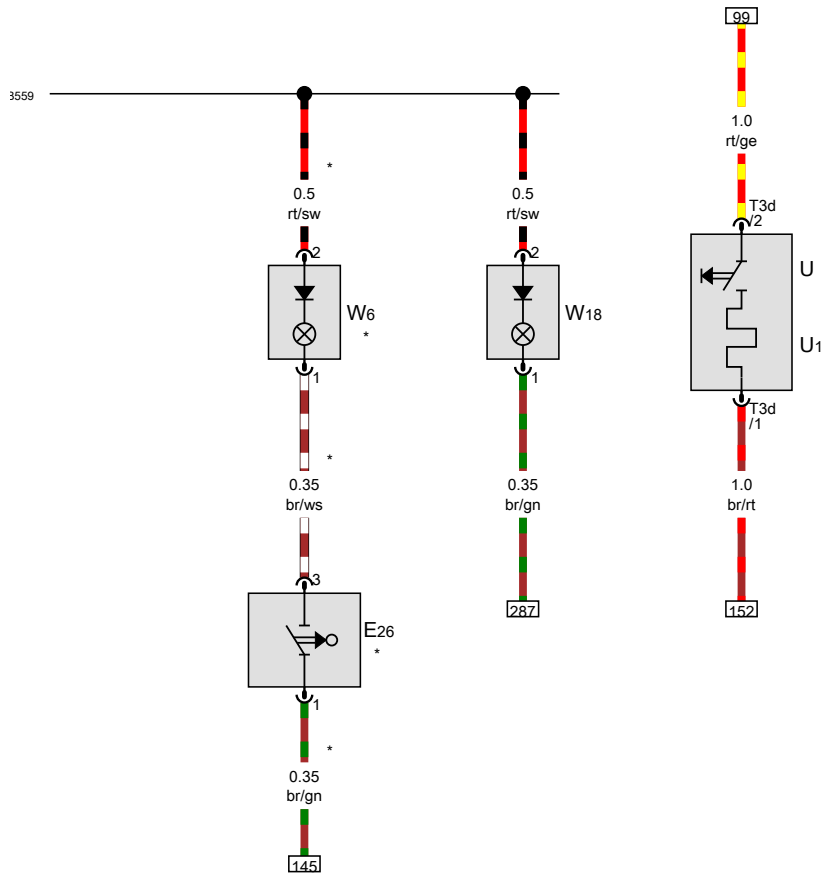
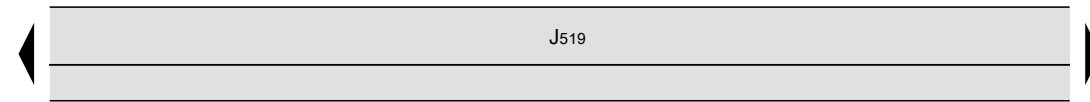
- ws = white
- sw = black
- ro = red
- rt = red
- br = brown
- gn = green
- bl = blue
- gr = grey
- li = purple
- vi = purple
- ge = yellow
- or = orange
- rs = pink

Glove compartment light switch, Electric socket, Cigarette lighter, Glove compartment light, Luggage compartment light on left

- E26 Glove compartment light switch
- J519 Onboard supply control unit
- T3d 3-pin connector
- U Electric socket
- U1 Cigarette lighter
- W6 Glove compartment light
- W18 Luggage compartment light on left

B559 Positive connection 1 (30g), in main wiring harness

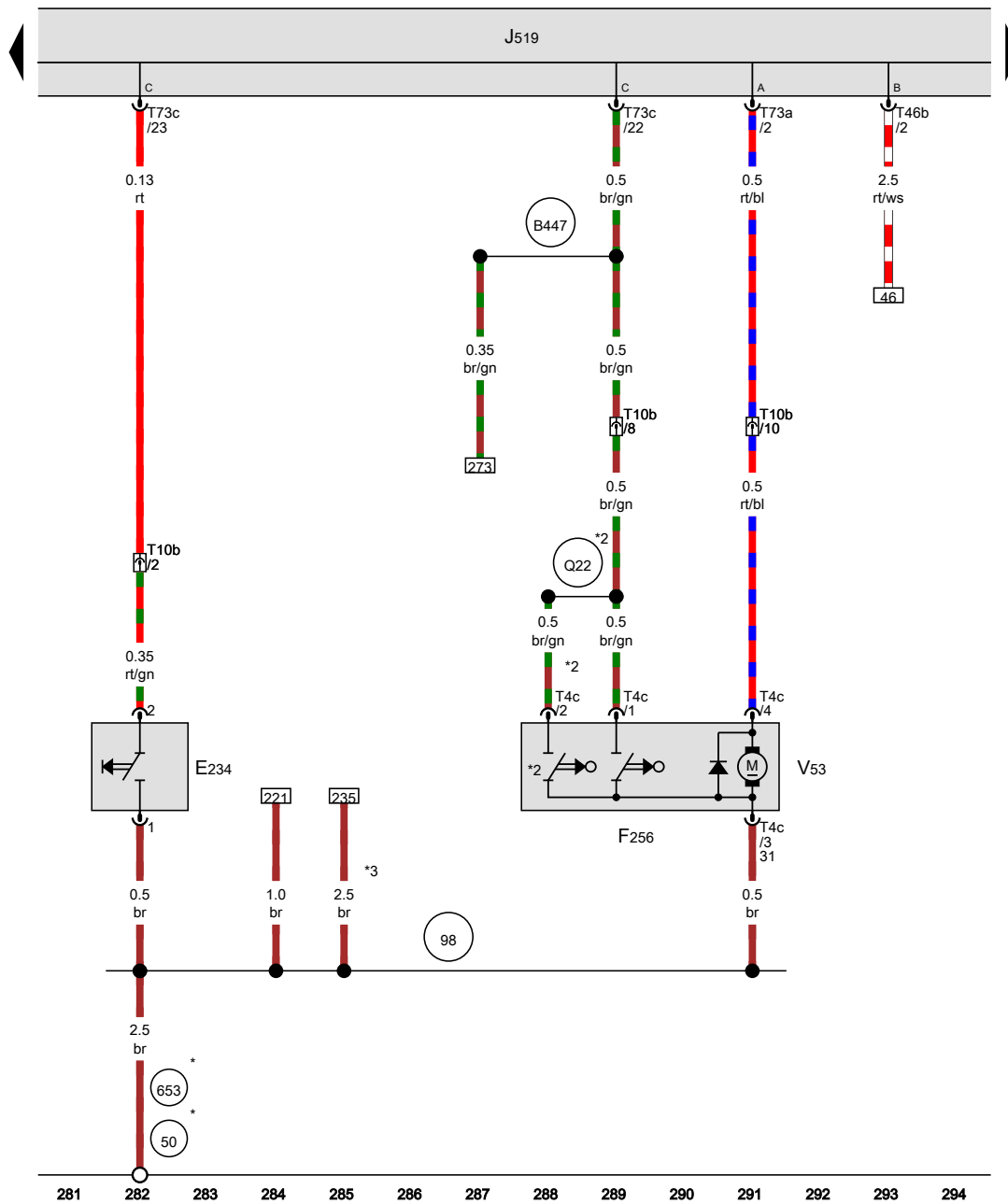
* Special equipment



- ws = white
- sw = black
- ro = red
- rt = red
- br = brown
- gn = green
- bl = blue
- gr = grey
- li = purple
- vi = purple
- ge = yellow
- or = orange
- rs = pink

267 268 269 270 271 272 273 274 275 276 277 278 279 280

[NH0-073210516]



Rear lid handle release button, Rear lid lock unit, Rear lid central locking motor

- E234 Rear lid handle release button
- F256 Rear lid lock unit
- J519 Onboard supply control unit
- T4c 4-pin connector
- T10b 10-pin connector
- T46b 46-pin connector, brown
- T73a 73-pin connector, black
- T73c 73-pin connector, black
- V53 Rear lid central locking motor

- 50 Earth point, on left in luggage compartment
- 98 Earth connection, in rear lid wiring harness
- 653 Earth point, on left D-pillar
- B447 Connection (luggage compartment light), in main wiring harness
- Q22 Connection 1, in rear lid wiring harness
- * see fitting locations
- *2 According to equipment
- *3 Only models with no rear window aerial

- ws = white
- sw = black
- ro = red
- rt = red
- br = brown
- gn = green
- bl = blue
- gr = grey
- li = purple
- vi = purple
- ge = yellow
- or = orange
- rs = pink

[NH0-073220516]

Coil connector, Horn plate, Treble horn, Bass horn

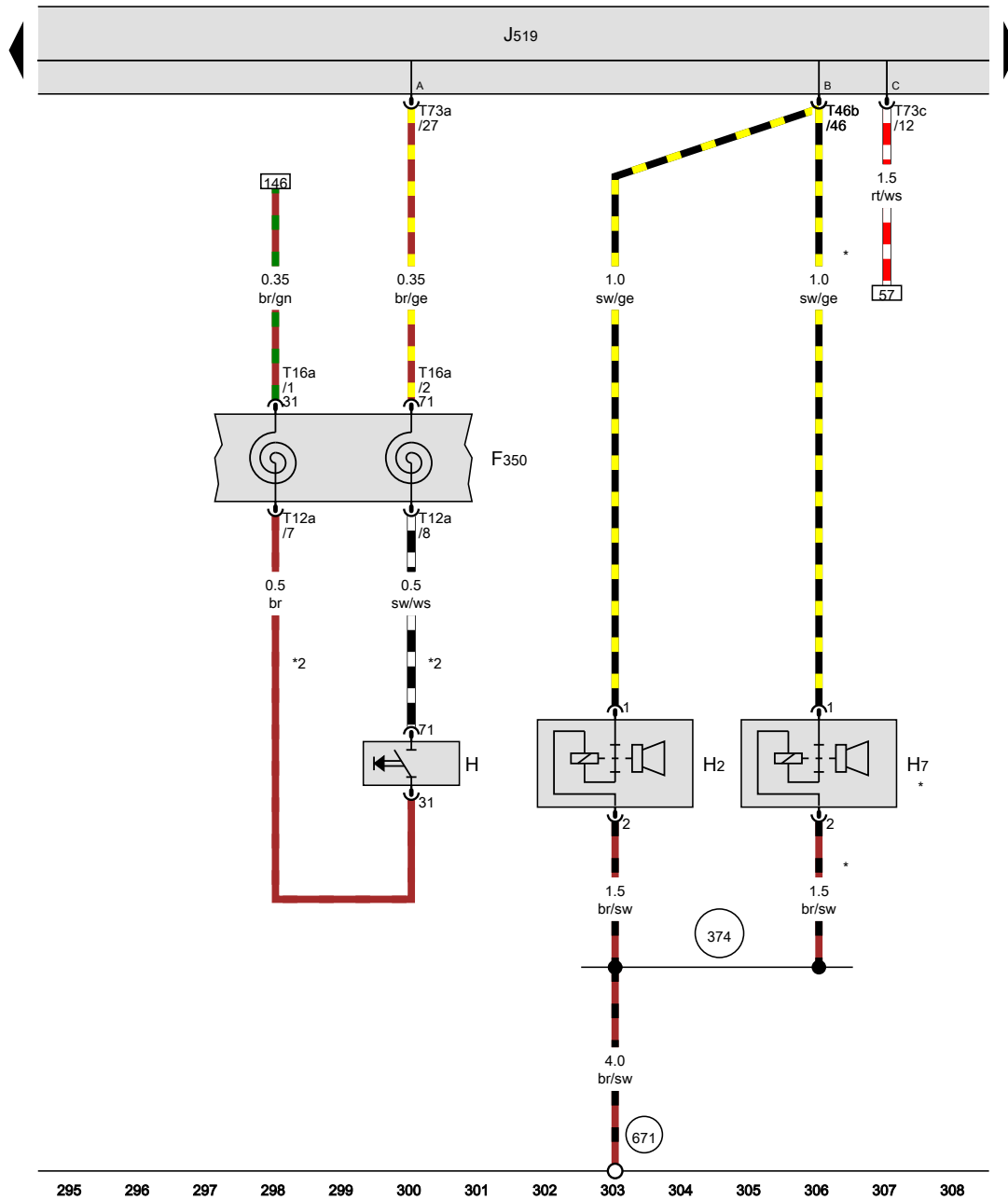
- F350 Coil connector
- H Horn plate
- H2 Treble horn
- H7 Bass horn
- J519 Onboard supply control unit
- T12a 12-pin connector
- T16a 16-pin connector
- T46b 46-pin connector, brown
- T73a 73-pin connector, black
- T73c 73-pin connector, black

374 Earth connection 9, in main wiring harness

671 Earth point 1, on front of left longitudinal member

* Only models with dual tone horn

*2 Only models with no multifunction steering wheel

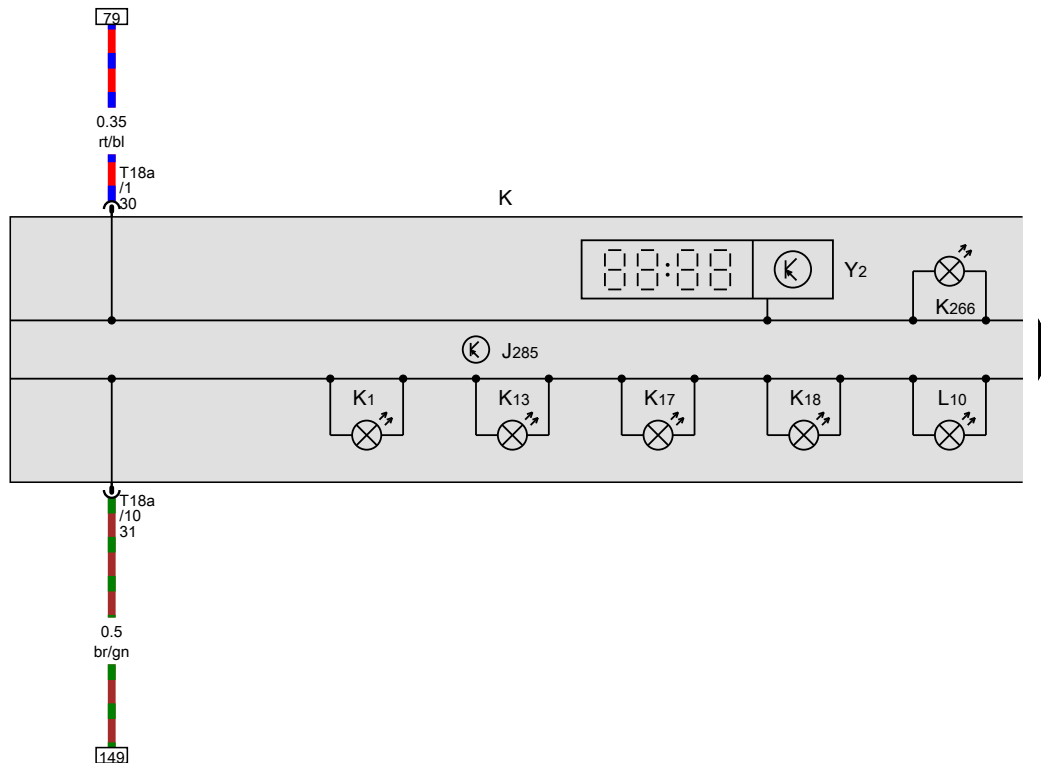
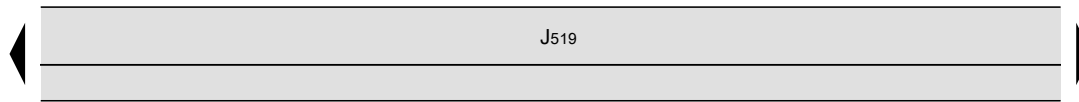


- ws = white
- sw = black
- ro = red
- rt = red
- br = brown
- gn = green
- bl = blue
- gr = grey
- li = purple
- vi = purple
- ge = yellow
- or = orange
- rs = pink

[NH0-073230516]

Dash panel insert, Digital clock

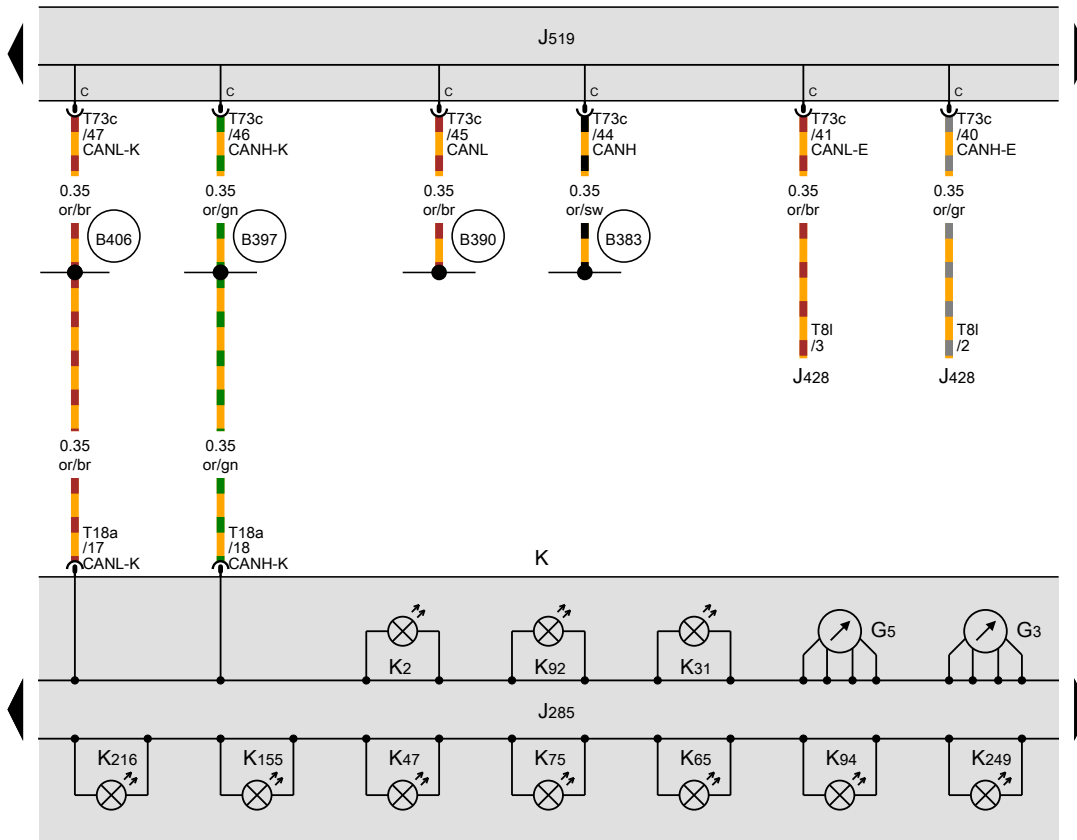
- J285 Control unit in dash panel insert
- J519 Onboard supply control unit
- K Dash panel insert
- K1 Main beam warning lamp
- K13 Rear fog light warning lamp
- K17 Fog light warning lamp
- K18 Trailer operation warning lamp
- K266 Warning lamp for dipped beams
- L10 Dash panel insert illumination bulb
- T18a 18-pin connector
- Y2 Digital clock



- ws = white
- sw = black
- ro = red
- rt = red
- br = brown
- gn = green
- bl = blue
- gr = grey
- li = purple
- vi = purple
- ge = yellow
- or = orange
- rs = pink

309 310 311 312 313 314 315 316 317 318 319 320 321 322

[NH0-073240516]



Coolant temperature gauge, Rev. counter, Dash panel insert

- G3 Coolant temperature gauge
- G5 Rev. counter
- J285 Control unit in dash panel insert
- J428 Adaptive cruise control unit
- J519 Onboard supply control unit
- K Dash panel insert
- K2 Alternator warning lamp
- K31 Cruise control system warning lamp
- K47 ABS warning lamp
- K65 Left turn signal warning lamp
- K75 Airbag warning lamp
- K92 Servotronic warning lamp
- K94 Right turn signal warning lamp
- K155 Warning lamp for electronic stabilisation program and TCS
- K216 Warning lamp 2 for electronic stabilisation program and TCS
- K249 Cold engine warning light
- T81 8-pin connector
- T18a 18-pin connector
- T73c 73-pin connector, black

- B383 Connection 1 (powertrain CAN bus, high), in main wiring harness
- B390 Connection 1 (powertrain CAN bus, low), in main wiring harness
- B397 Connection 1 (convenience CAN bus, high), in main wiring harness
- B406 Connection 1 (convenience CAN bus, low), in main wiring harness

- ws = white
- sw = black
- ro = red
- rt = red
- br = brown
- gn = green
- bl = blue
- gr = grey
- li = purple
- vi = purple
- ge = yellow
- or = orange
- rs = pink

323 324 325 326 327 328 329 330 331 332 333 334 335 336

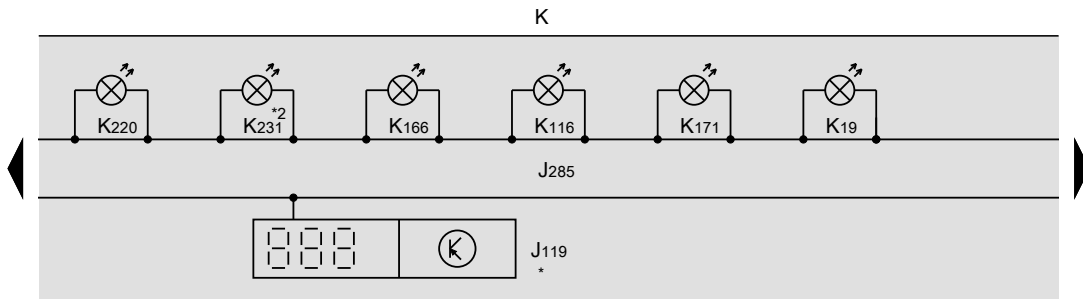
[NH0-073250516]

Ambient temperature sensor, Multifunction indicator, Dash panel insert

- G17 Ambient temperature sensor
- J119 Multifunction indicator
- J285 Control unit in dash panel insert
- J519 Onboard supply control unit
- K Dash panel insert
- K19 Seat belt warning system warning lamp
- K116 Rear lid open warning lamp
- K166 Door open warning lamp
- K171 Bonnet open warning lamp
- K220 Tyre Pressure Loss Indicator warning lamp
- K231 Diesel particulate filter warning lamp
- T46b 46-pin connector, brown

410 Earth connection 1 (sender earth) in main wiring harness

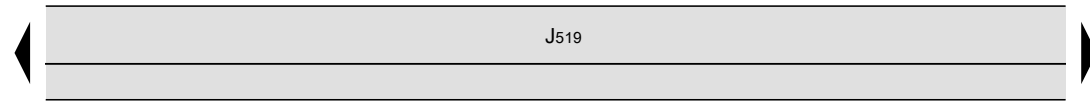
- * Only models with multifunction display
- *2 Only models with diesel particulate filter



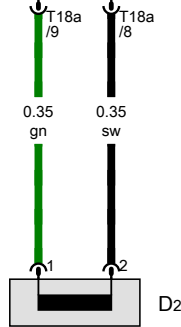
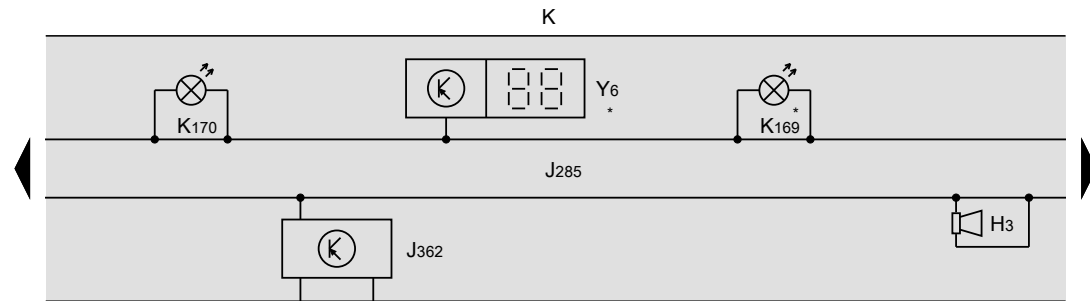
- ws = white
- sw = black
- ro = red
- rt = red
- br = brown
- gn = green
- bl = blue
- gr = grey
- li = purple
- vi = purple
- ge = yellow
- or = orange
- rs = pink

Immobiliser reader coil, Buzzer and gong, Immobiliser control unit, Dash panel insert, Selector lever position display

- D2 Immobiliser reader coil
 - H3 Buzzer and gong
 - J285 Control unit in dash panel insert
 - J362 Immobiliser control unit
 - J519 Onboard supply control unit
 - K Dash panel insert
 - K169 Selector lever lock warning lamp
 - K170 Bulb failure warning lamp
 - T18a 18-pin connector
 - Y6 Selector lever position display
- 410 Earth connection 1 (sender earth) in main wiring harness
- * Only models with automatic gearbox



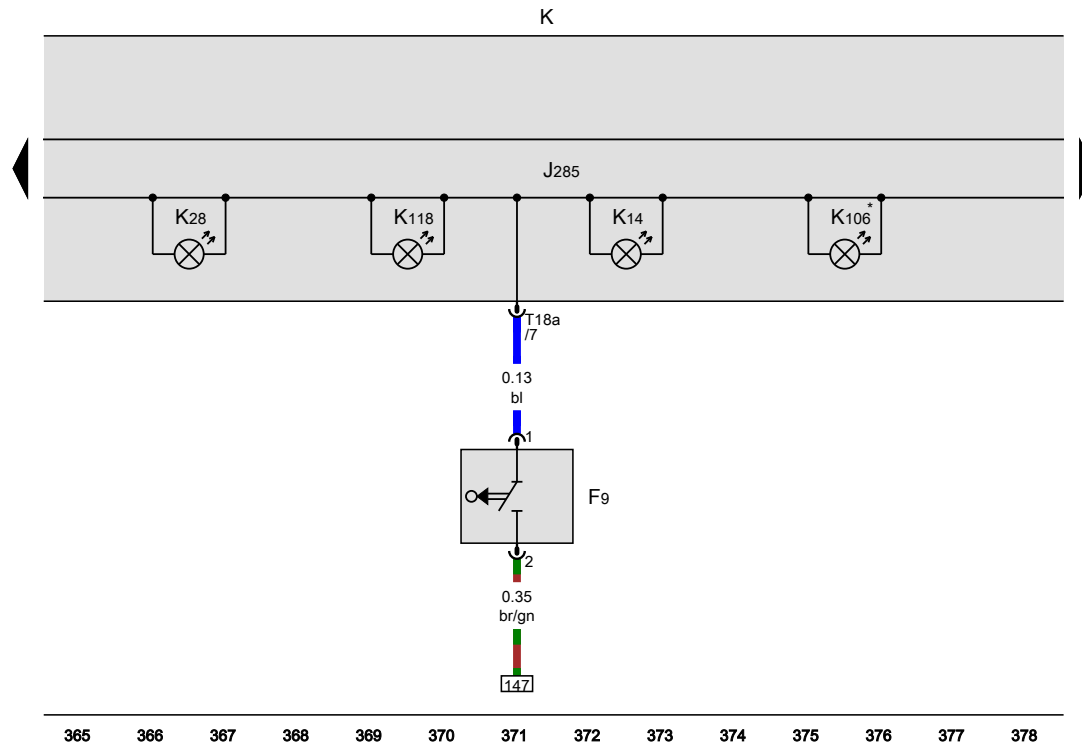
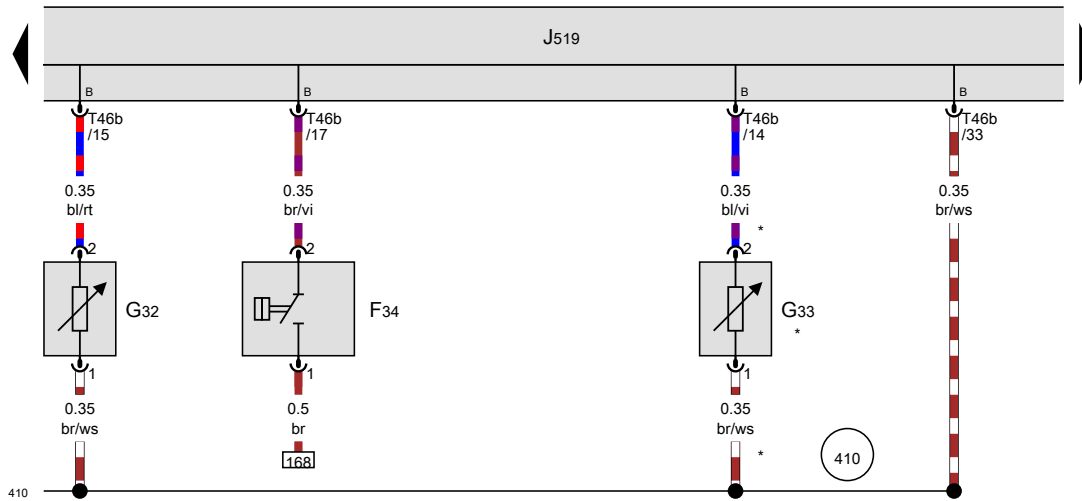
410



- ws = white
- sw = black
- ro = red
- rt = red
- br = brown
- gn = green
- bl = blue
- gr = grey
- li = purple
- vi = purple
- ge = yellow
- or = orange
- rs = pink

351 352 353 354 355 356 357 358 359 360 361 362 363 364

[NH0-073270516]



- ws = white
- sw = black
- ro = red
- rt = red
- br = brown
- gn = green
- bl = blue
- gr = grey
- li = purple
- vi = purple
- ge = yellow
- or = orange
- rs = pink

Handbrake warning switch, Brake fluid level warning contact, Coolant shortage indicator sender, Windscreen washer fluid level sender, Dash panel insert

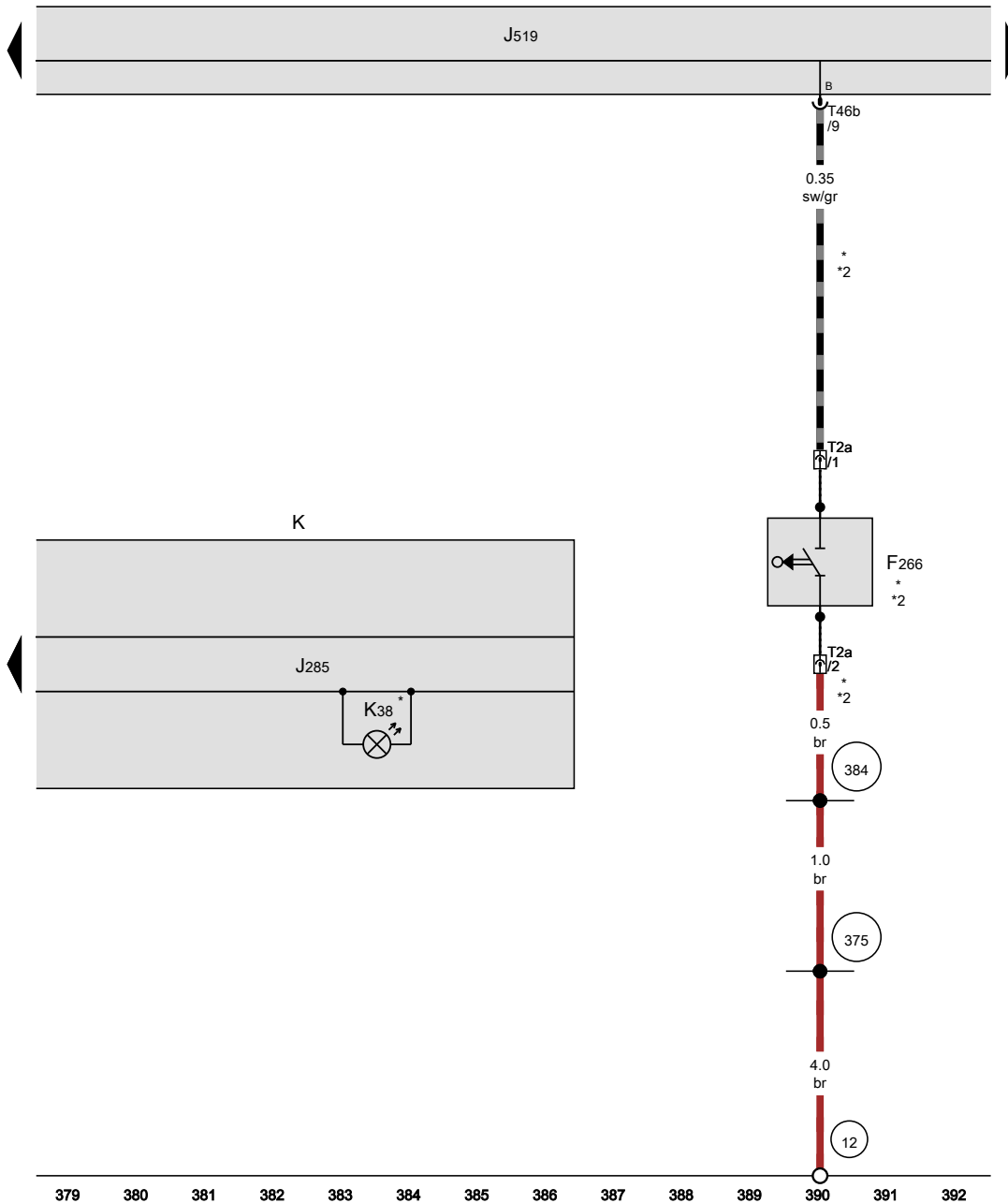
- F9 Handbrake warning switch
- F34 Brake fluid level warning contact
- G32 Coolant shortage indicator sender
- G33 Windscreen washer fluid level sender
- J285 Control unit in dash panel insert
- J519 Onboard supply control unit
- K Dash panel insert
- K14 Handbrake warning lamp
- K28 Coolant temperature and coolant shortage warning lamp
- K106 Washer fluid low warning lamp
- K118 Brake system warning lamp
- T18a 18-pin connector
- T46b 46-pin connector, brown
- 410 Earth connection 1 (sender earth) in main wiring harness
- * Special equipment

Bonnet contact switch, Dash panel insert

- F266 Bonnet contact switch
- J285 Control unit in dash panel insert
- J519 Onboard supply control unit
- K Dash panel insert
- K38 Oil level warning lamp
- T2a 2-pin connector
- T46b 46-pin connector, brown

- 12 Earth point, on left in engine compartment
- 375 Earth connection 10, in main wiring harness
- 384 Earth connection 19, in main wiring harness

- * Only models with extended servicing intervals (ESI)
- *2 For models with anti-theft alarm system



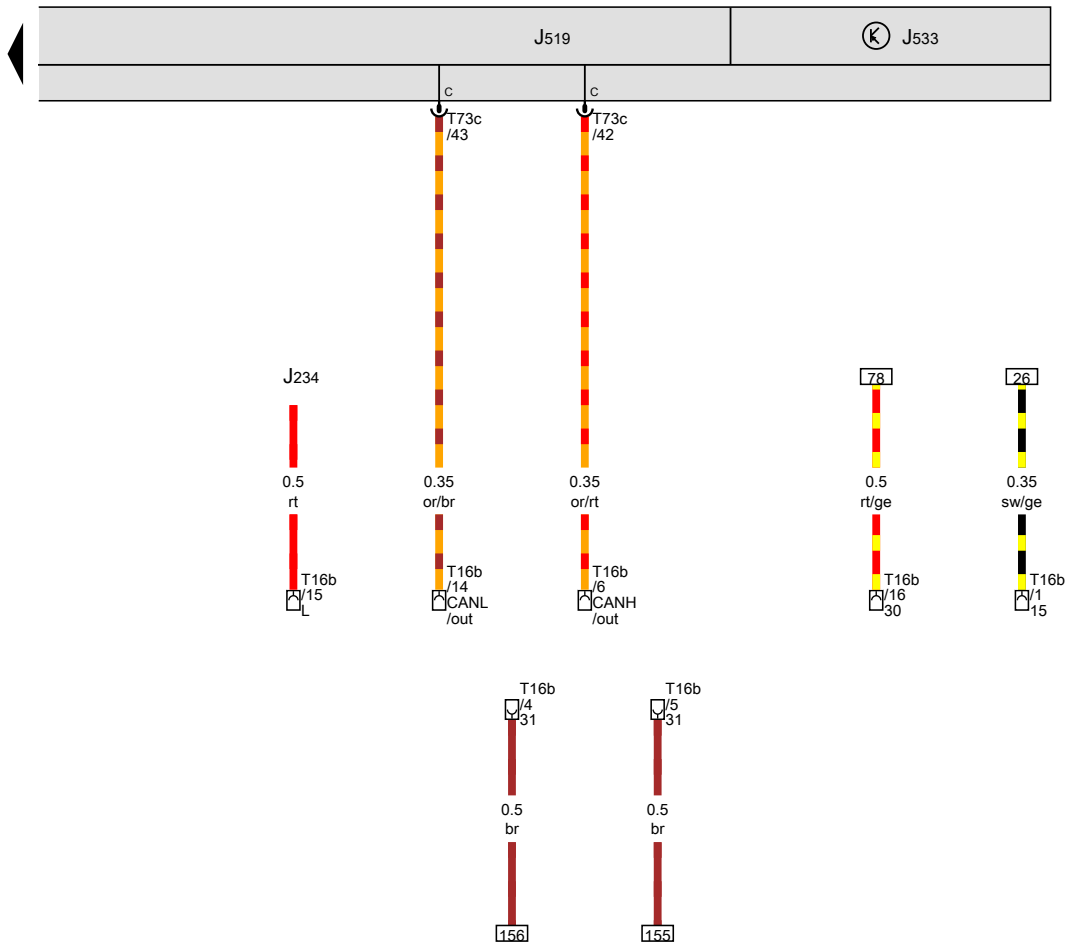
- ws = white
- sw = black
- ro = red
- rt = red
- br = brown
- gn = green
- bl = blue
- gr = grey
- li = purple
- vi = purple
- ge = yellow
- or = orange
- rs = pink

379 380 381 382 383 384 385 386 387 388 389 390 391 392

[NH0-073290516]

Data bus diagnostic interface, 16-pin connector

- J234 Airbag control unit
- J519 Onboard supply control unit
- J533 Data bus diagnostic interface
- T16b 16-pin connector, on diagnostic connection
- T73c 73-pin connector, black



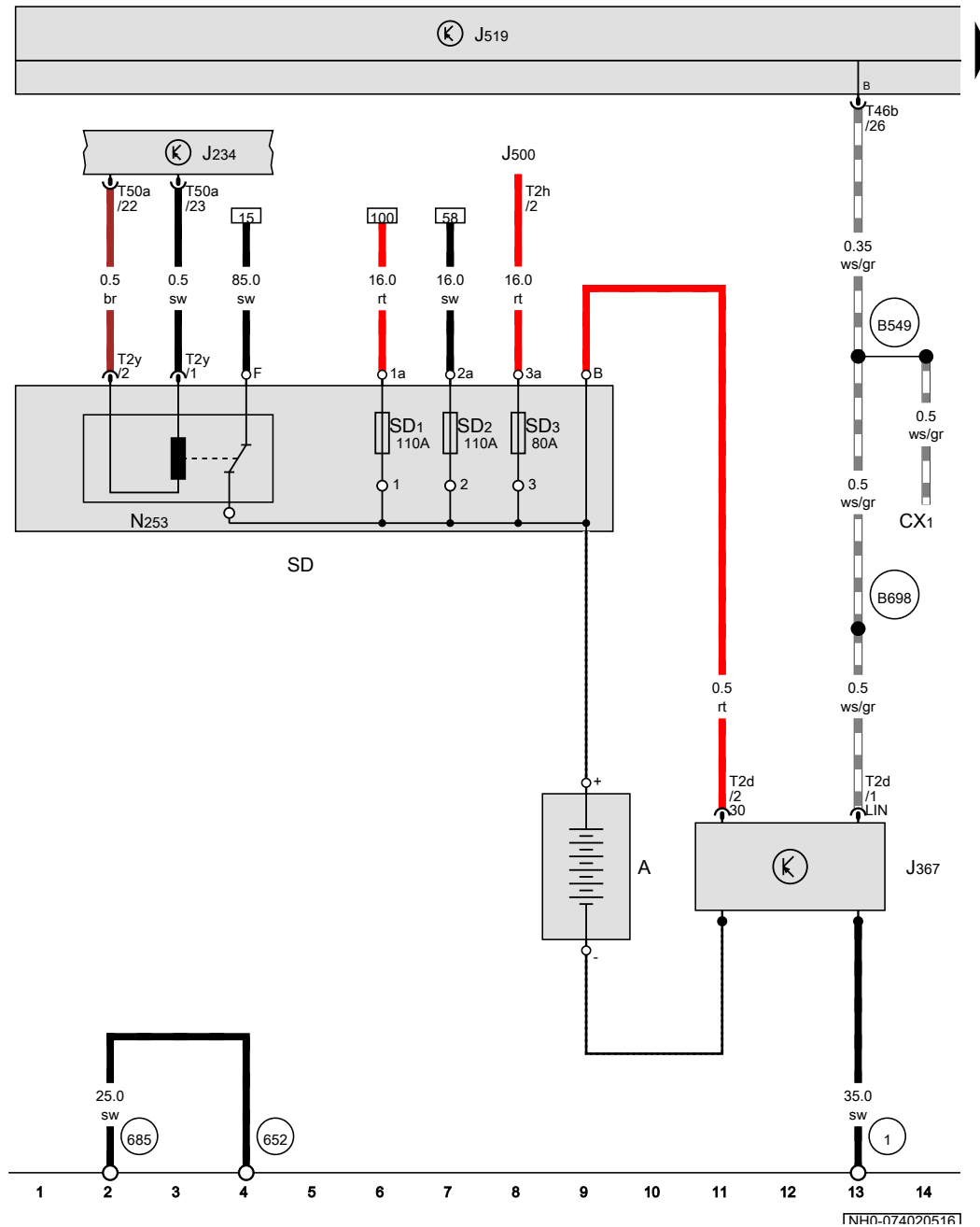
- ws = white
- sw = black
- ro = red
- rt = red
- br = brown
- gn = green
- bl = blue
- gr = grey
- li = purple
- vi = purple
- ge = yellow
- or = orange
- rs = pink

393 394 395 396 397 398 399 400 401 402 403 404 405 406

[NH0-073300516]

Basic equipment , CXMA

From November 2015



Battery, Airbag control unit, Battery monitor control unit, Battery isolation igniter, Fuse holder D

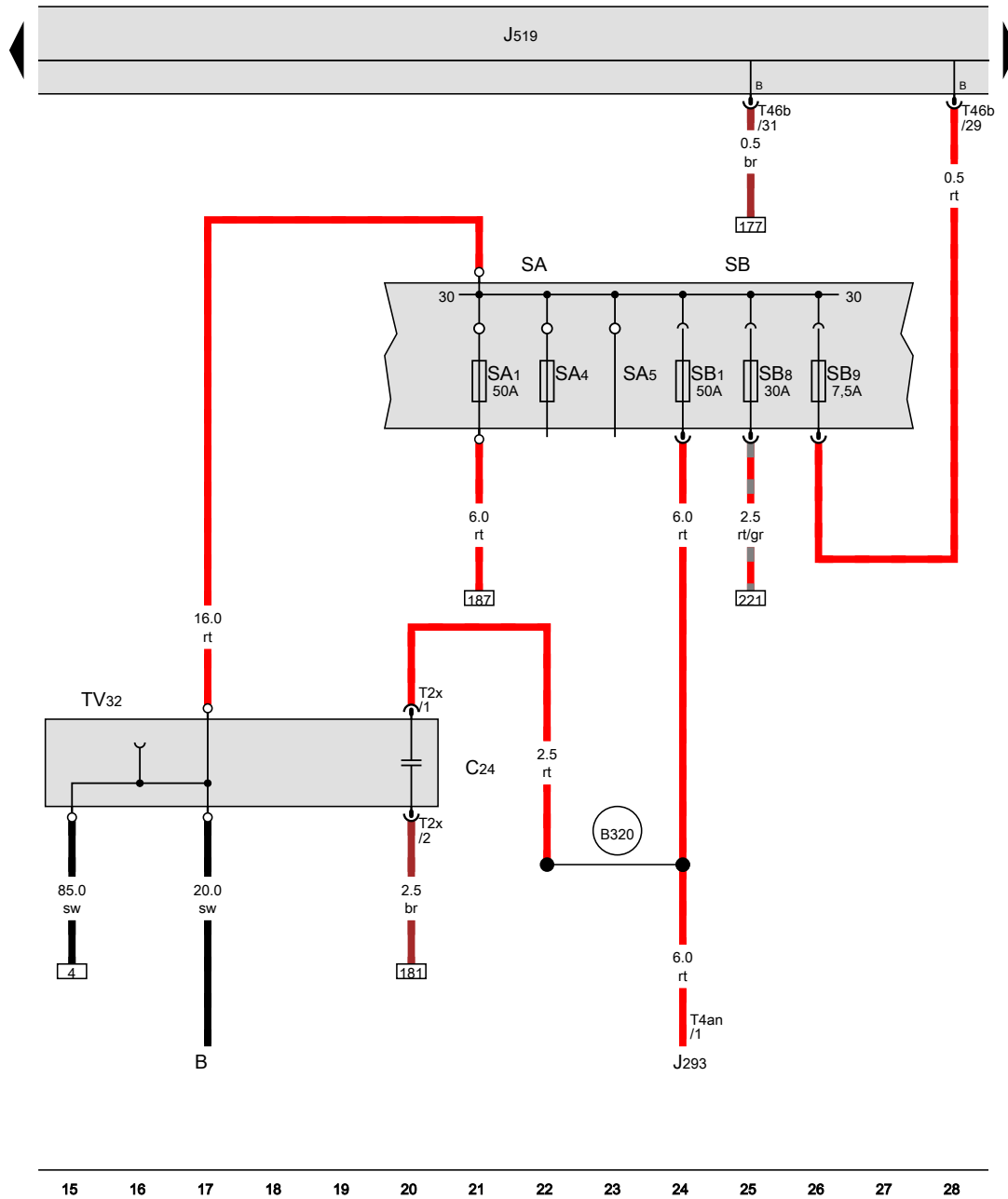
- A Battery
- CX1 Alternator with voltage regulator
- J234 Airbag control unit
- J367 Battery monitor control unit
- J500 Power steering control unit
- J519 Onboard supply control unit
- N253 Battery isolation igniter
- SD Fuse holder D
- SD1 Fuse 1 on fuse holder D
- SD2 Fuse 2 on fuse holder D
- SD3 Fuse 3 on fuse holder D
- T2d 2-pin connector
- T2h 2-pin connector
- T2y 2-pin connector
- T46b 46-pin connector, brown
- T50a 50-pin connector

- 1 Earth strap, battery - body
- 652 Earth point, engine and gearbox earth
- 685 Earth point 1 at front of right longitudinal member
- B549 Connection 2 (LIN bus) in main wiring harness
- B698 Connection 3 (LIN bus) in main wiring harness

- ws = white
- sw = black
- ro = red
- rt = red
- br = brown
- gn = green
- bl = blue
- gr = grey
- li = purple
- vi = purple
- ge = yellow
- or = orange
- rs = pink

[NH0-0740205161]

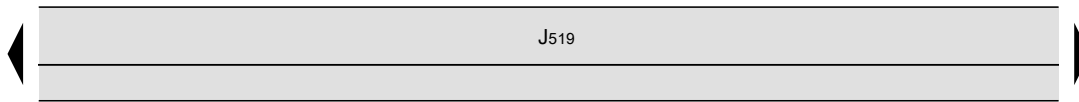
Fuse holder A, Fuse holder B, Jump start connection



- B Starter
- C24 Suppression filter
- J293 Radiator fan control unit
- J519 Onboard supply control unit
- SA Fuse holder A
- SA1 Fuse 1 in fuse holder A
- SA4 Fuse 4 in fuse holder A
- SA5 Fuse 5 in fuse holder A
- SB Fuse holder B
- SB1 Fuse 1 on fuse holder B
- SB8 Fuse 8 on fuse holder B
- SB9 Fuse 9 on fuse holder B
- T2x 2-pin connector
- T4an 4-pin connector
- T46b 46-pin connector, brown
- TV32 Jump start connection
- B320** Positive connection 6 (30a) in main wiring harness

- ws = white
- sw = black
- ro = red
- rt = red
- br = brown
- gn = green
- bl = blue
- gr = grey
- li = purple
- vi = purple
- ge = yellow
- or = orange
- rs = pink

[NH0-074030516]



Fuse holder C

- E1 Light switch
- E45 Cruise control system switch
- J234 Airbag control unit
- J293 Radiator fan control unit
- J519 Onboard supply control unit
- SC Fuse holder C
- SC29 Fuse 29 on fuse holder C
- SC30 Fuse 30 on fuse holder C
- SC31 Fuse 31 on fuse holder C
- SC32 Fuse 32 on fuse holder C
- T10e 10-pin connector

(B277) Positive connection 1 (15a) in main wiring harness

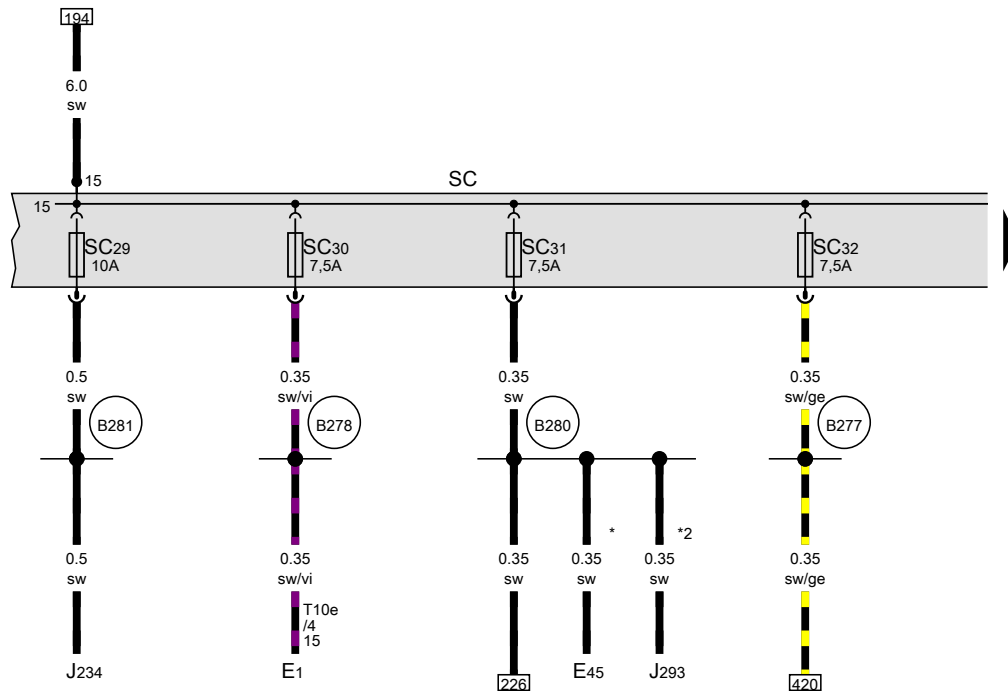
(B278) Positive connection 2 (15a) in main wiring harness

(B280) Positive connection 4 (15a) in main wiring harness

(B281) Positive connection 5 (15a) in main wiring harness

* Only models with cruise control system (CCS)

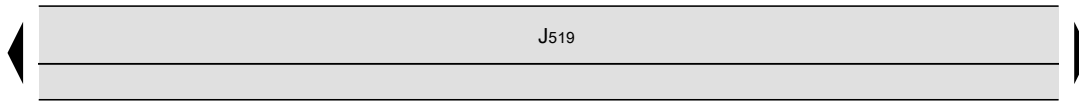
*2 According to equipment



- ws = white
- sw = black
- ro = red
- rt = red
- br = brown
- gn = green
- bl = blue
- gr = grey
- li = purple
- vi = purple
- ge = yellow
- or = orange
- rs = pink

29 30 31 32 33 34 35 36 37 38 39 40 41 42

[NH0-074040516]

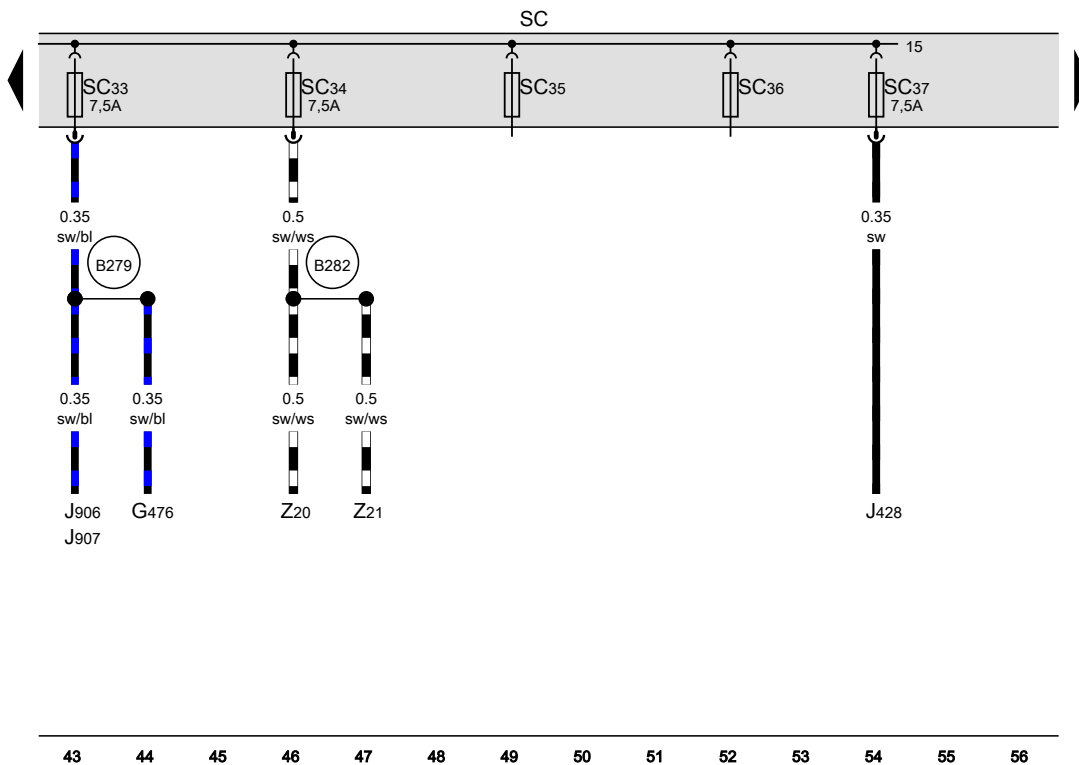


Fuse holder C

- G476 Clutch position sender
- J428 Adaptive cruise control unit
- J519 Onboard supply control unit
- J906 Starter relay 1
- J907 Starter relay 2
- SC Fuse holder C
- SC33 Fuse 33 on fuse holder C
- SC34 Fuse 34 on fuse holder C
- SC35 Fuse 35 on fuse holder C
- SC36 Fuse 36 on fuse holder C
- SC37 Fuse 37 on fuse holder C
- Z20 Left washer jet heater element
- Z21 Right washer jet heater element

B279 Positive connection 3 (15a) in main wiring harness

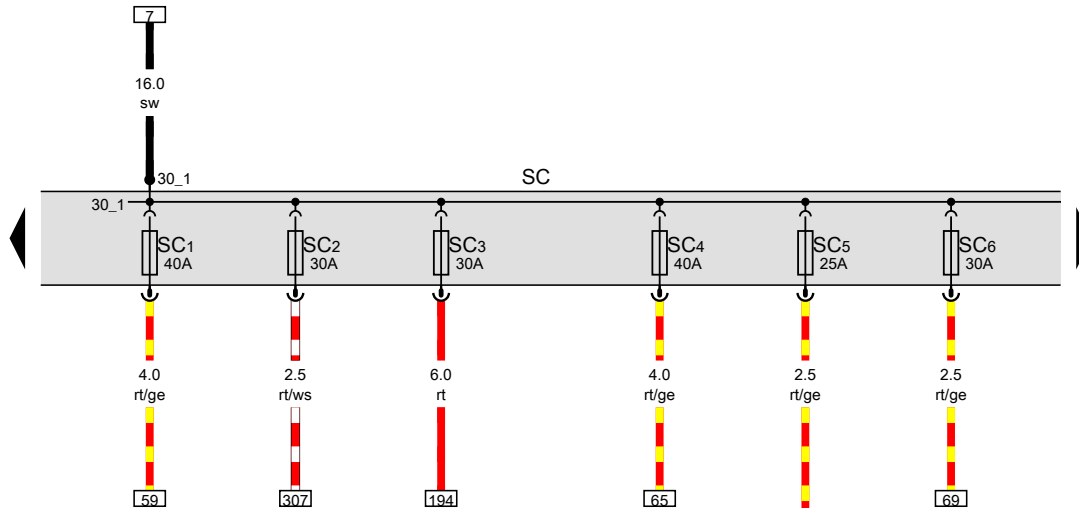
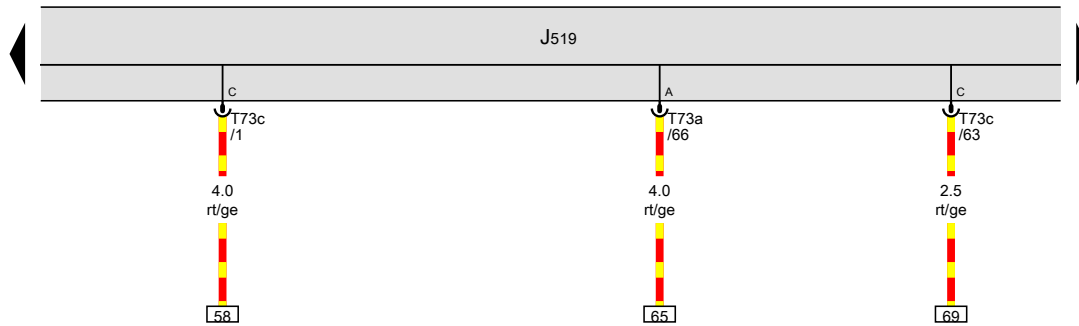
B282 Positive connection 6 (15a) in main wiring harness



- ws = white
- sw = black
- ro = red
- rt = red
- br = brown
- gn = green
- bl = blue
- gr = grey
- li = purple
- vi = purple
- ge = yellow
- or = orange
- rs = pink

43 44 45 46 47 48 49 50 51 52 53 54 55 56

[NH0-074050516]



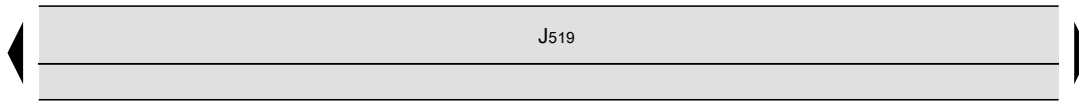
Fuse holder C

- J519 Onboard supply control unit
- SC Fuse holder C
- SC1 Fuse 1 on fuse holder C
- SC2 Fuse 2 on fuse holder C
- SC3 Fuse 3 on fuse holder C
- SC4 Fuse 4 on fuse holder C
- SC5 Fuse 5 on fuse holder C
- SC6 Fuse 6 on fuse holder C
- T73a 73-pin connector, black
- T73c 73-pin connector, black
- V147 Driver side window regulator motor

- ws = white
- sw = black
- ro = red
- rt = red
- br = brown
- gn = green
- bl = blue
- gr = grey
- li = purple
- vi = purple
- ge = yellow
- or = orange
- rs = pink

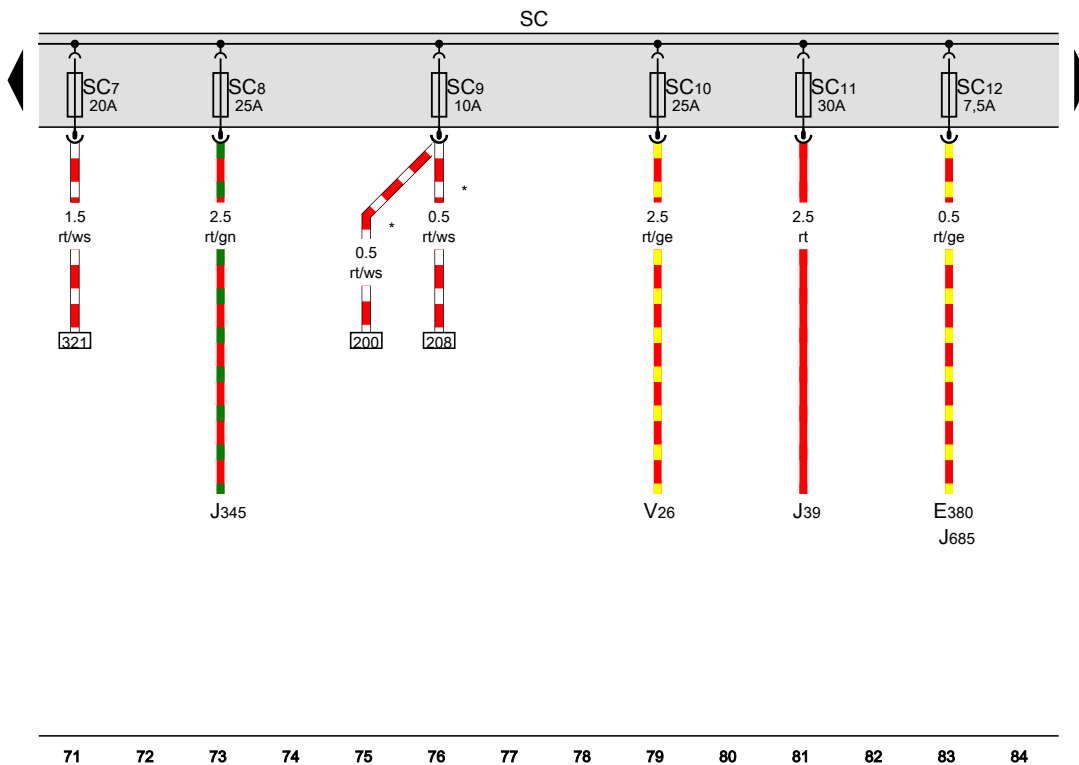
57 58 59 60 61 62 63 64 65 66 67 68 69 70

[NH0-074060516]



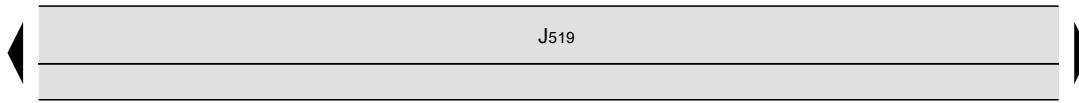
Fuse holder C

- E380 Multimedia system operating unit
- J39 Headlight washer system relay
- J345 Trailer detector control unit, on right in luggage compartment
- J519 Onboard supply control unit
- J685 Display unit for front information display and operating unit control unit
- SC Fuse holder C
- SC7 Fuse 7 on fuse holder C
- SC8 Fuse 8 on fuse holder C
- SC9 Fuse 9 on fuse holder C
- SC10 Fuse 10 on fuse holder C
- SC11 Fuse 11 on fuse holder C
- SC12 Fuse 12 on fuse holder C
- V26 Rear left window regulator motor
- * Only models with no entry and start authorisation



- ws = white
- sw = black
- ro = red
- rt = red
- br = brown
- gn = green
- bl = blue
- gr = grey
- li = purple
- vi = purple
- ge = yellow
- or = orange
- rs = pink

[NH0-074070516]



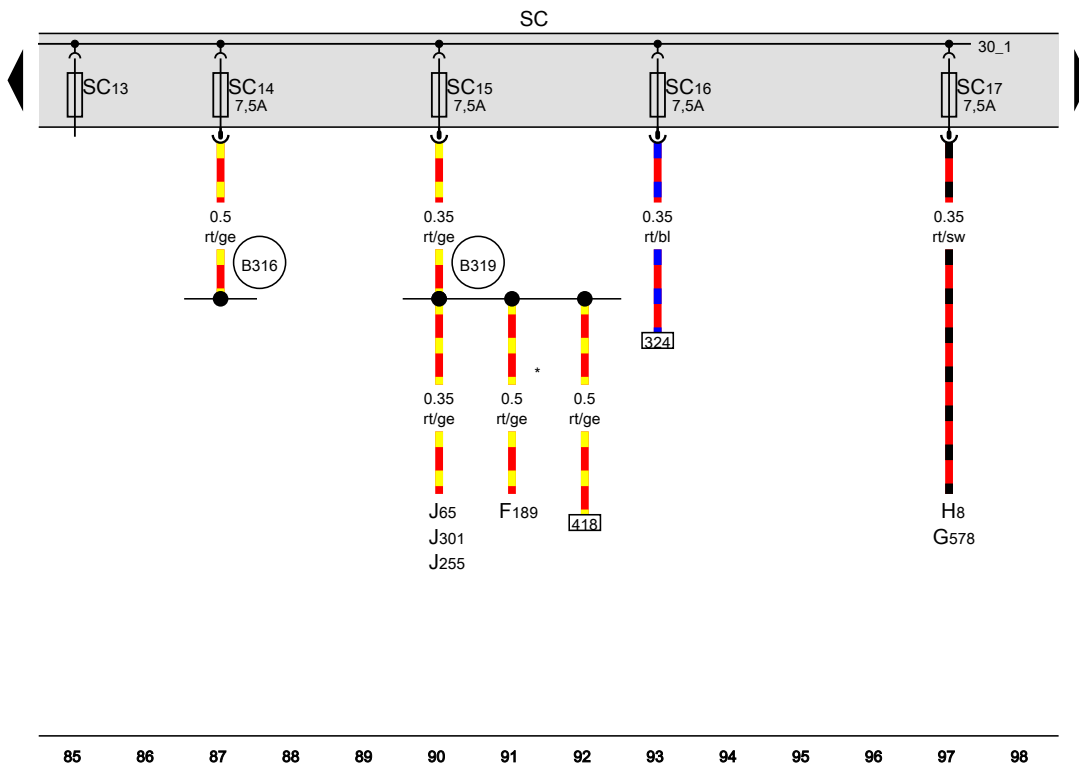
Fuse holder C

- F189 Tiptronic switch
- G578 Anti-theft alarm sensor
- H8 Anti-theft alarm system horn
- J65 Heater control unit
- J255 Climatronic control unit
- J301 Air conditioning system control unit
- J519 Onboard supply control unit
- SC Fuse holder C
- SC13 Fuse 13 on fuse holder C
- SC14 Fuse 14 on fuse holder C
- SC15 Fuse 15 on fuse holder C
- SC16 Fuse 16 on fuse holder C
- SC17 Fuse 17 on fuse holder C

B316 Positive connection 2 (30a) in main wiring harness

B319 Positive connection 5 (30a) in main wiring harness

* Only models with automatic gearbox



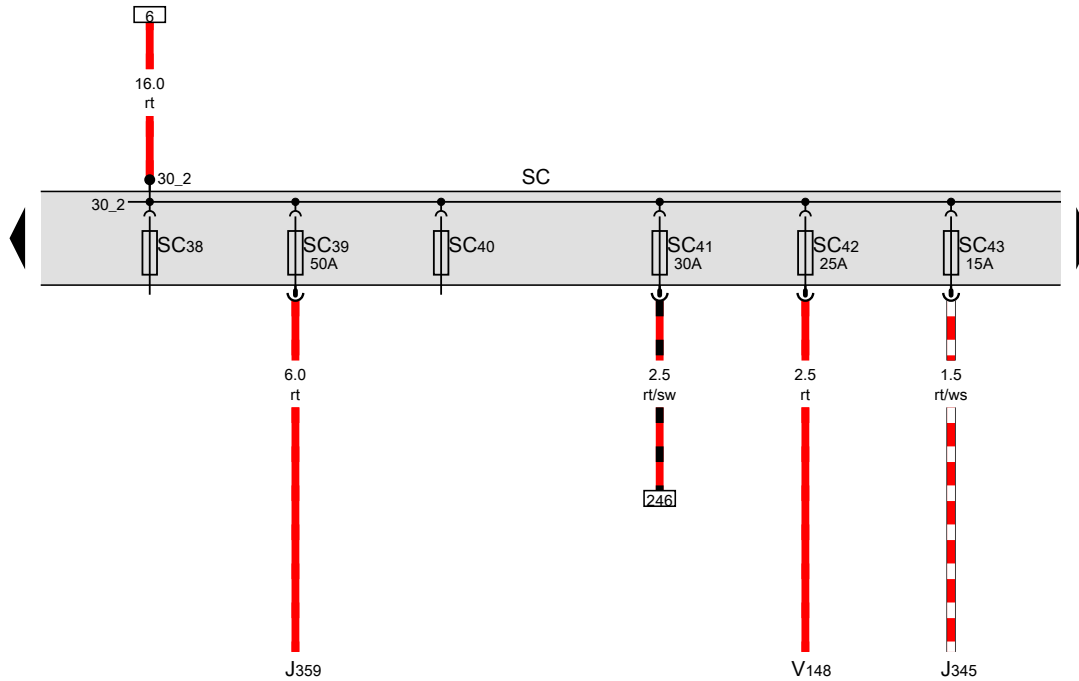
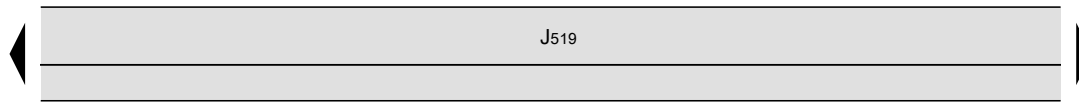
- ws = white
- sw = black
- ro = red
- rt = red
- br = brown
- gn = green
- bl = blue
- gr = grey
- li = purple
- vi = purple
- ge = yellow
- or = orange
- rs = pink

85 86 87 88 89 90 91 92 93 94 95 96 97 98

[NH0-074080516]

Fuse holder C

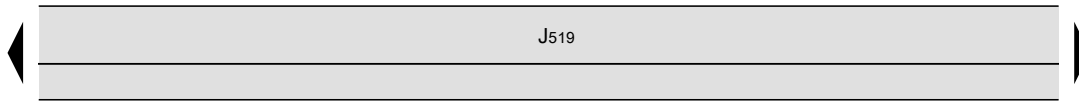
- J345 Trailer detector control unit, on right in luggage compartment
- J359 Low heat output relay
- J519 Onboard supply control unit
- SC Fuse holder C
- SC38 Fuse 38 on fuse holder C
- SC39 Fuse 39 on fuse holder C
- SC40 Fuse 40 on fuse holder C
- SC41 Fuse 41 on fuse holder C
- SC42 Fuse 42 on fuse holder C
- SC43 Fuse 43 on fuse holder C
- V148 Front passenger side window regulator motor



- ws = white
- sw = black
- ro = red
- rt = red
- br = brown
- gn = green
- bl = blue
- gr = grey
- li = purple
- vi = purple
- ge = yellow
- or = orange
- rs = pink

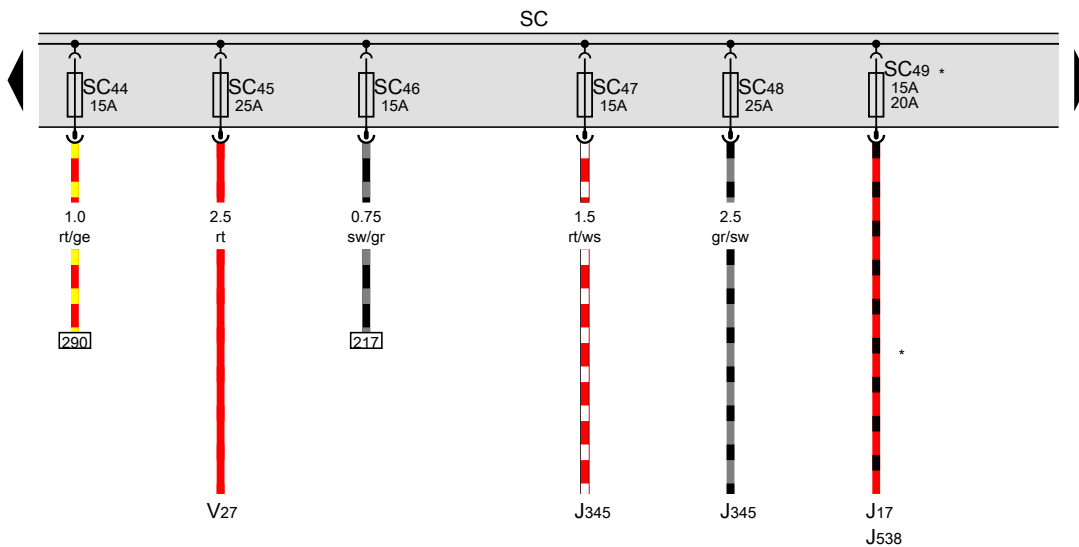
99 100 101 102 103 104 105 106 107 108 109 110 111 112

[NH0-074090516]



Fuse holder C

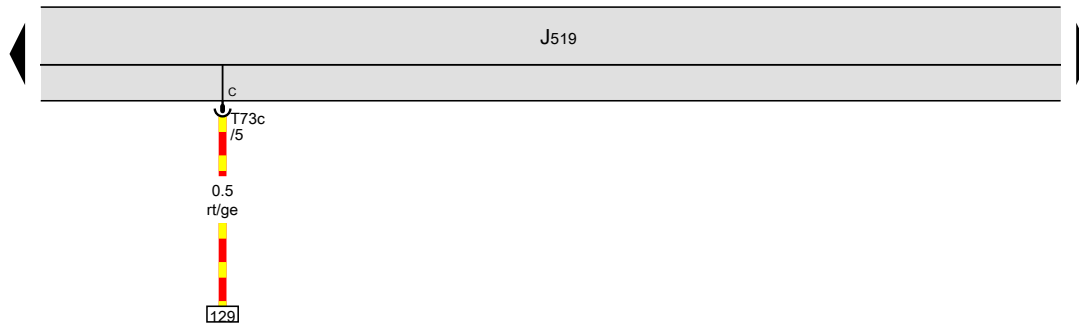
- J17 Fuel pump relay
- J345 Trailer detector control unit, on right in luggage compartment
- J519 Onboard supply control unit
- J538 Fuel pump control unit
- SC Fuse holder C
- SC44 Fuse 44 on fuse holder C
- SC45 Fuse 45 on fuse holder C
- SC46 Fuse 46 on fuse holder C
- SC47 Fuse 47 on fuse holder C
- SC48 Fuse 48 on fuse holder C
- SC49 Fuse 49 on fuse holder C
- V27 Rear right window regulator motor
- * see applicable current flow diagram for engine



- ws = white
- sw = black
- ro = red
- rt = red
- br = brown
- gn = green
- bl = blue
- gr = grey
- li = purple
- vi = purple
- ge = yellow
- or = orange
- rs = pink

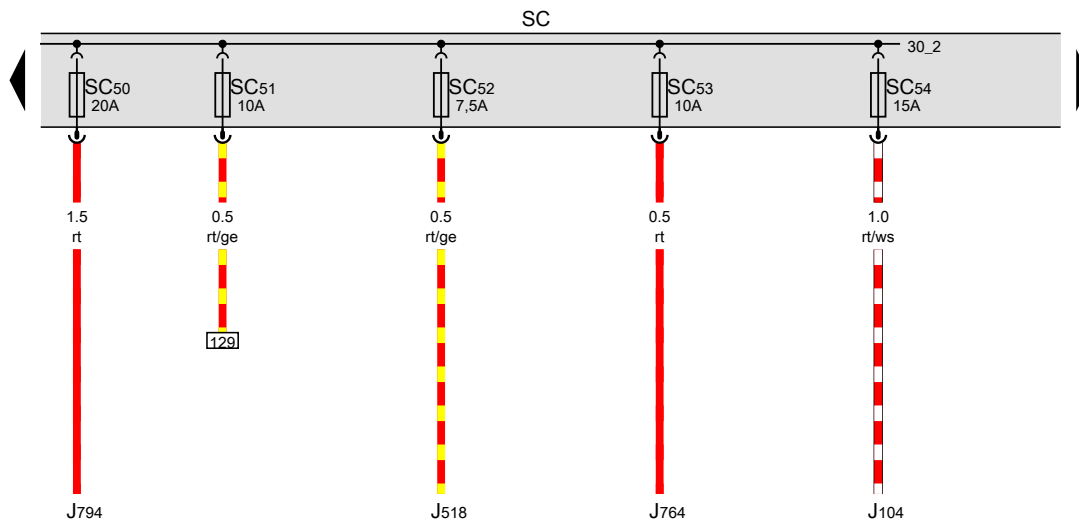
113 114 115 116 117 118 119 120 121 122 123 124 125 126

[NH0-074100516]



Fuse holder C

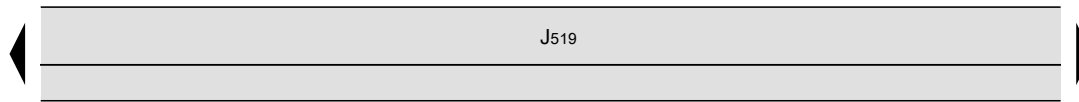
- J104 ABS control unit
- J518 Entry and start authorisation control unit
- J519 Onboard supply control unit
- J764 Control unit for electronic steering column lock
- J794 Control unit 1 for information electronics
- SC Fuse holder C
- SC50 Fuse 50 on fuse holder C
- SC51 Fuse 51 on fuse holder C
- SC52 Fuse 52 on fuse holder C
- SC53 Fuse 53 on fuse holder C
- SC54 Fuse 54 on fuse holder C
- T73c 73-pin connector, black



- ws = white
- sw = black
- ro = red
- rt = red
- br = brown
- gn = green
- bl = blue
- gr = grey
- li = purple
- vi = purple
- ge = yellow
- or = orange
- rs = pink

127 128 129 130 131 132 133 134 135 136 137 138 139 140

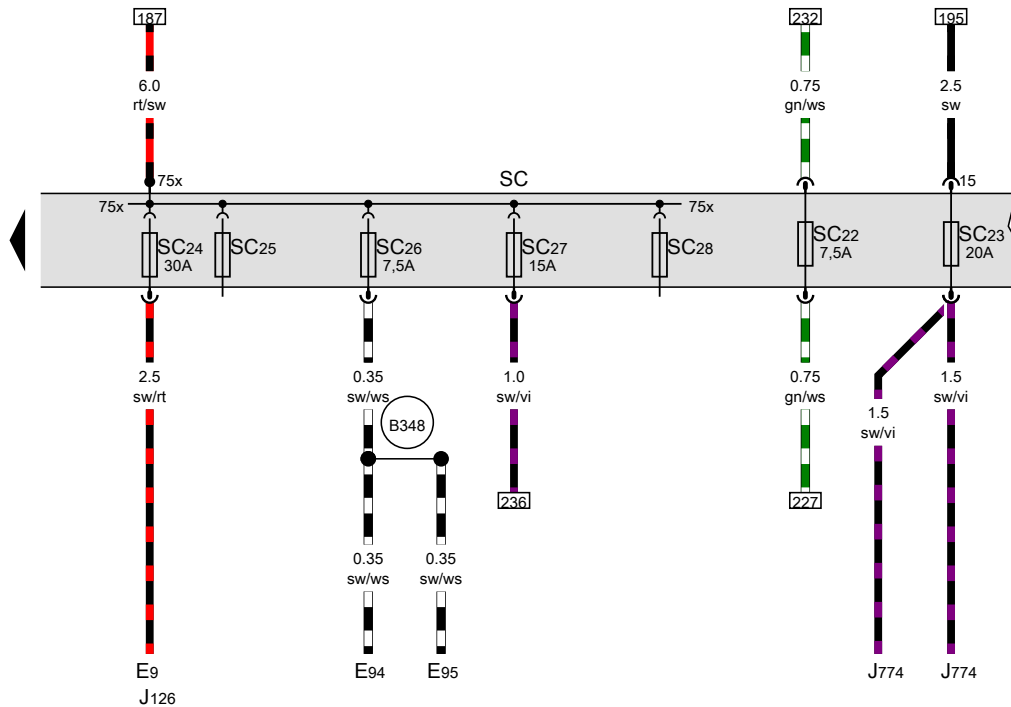
[NH0-074110516]



Fuse holder C

- E9 Fresh air blower switch
- E94 Heated driver seat regulator
- E95 Heated front passenger seat regulator
- J126 Fresh air blower control unit
- J519 Onboard supply control unit
- J774 Heated front seats control unit, behind dash panel, centre
- SC Fuse holder C
- SC22 Fuse 22 on fuse holder C
- SC23 Fuse 23 on fuse holder C
- SC24 Fuse 24 on fuse holder C
- SC25 Fuse 25 on fuse holder C
- SC26 Fuse 26 on fuse holder C
- SC27 Fuse 27 on fuse holder C
- SC28 Fuse 28 on fuse holder C

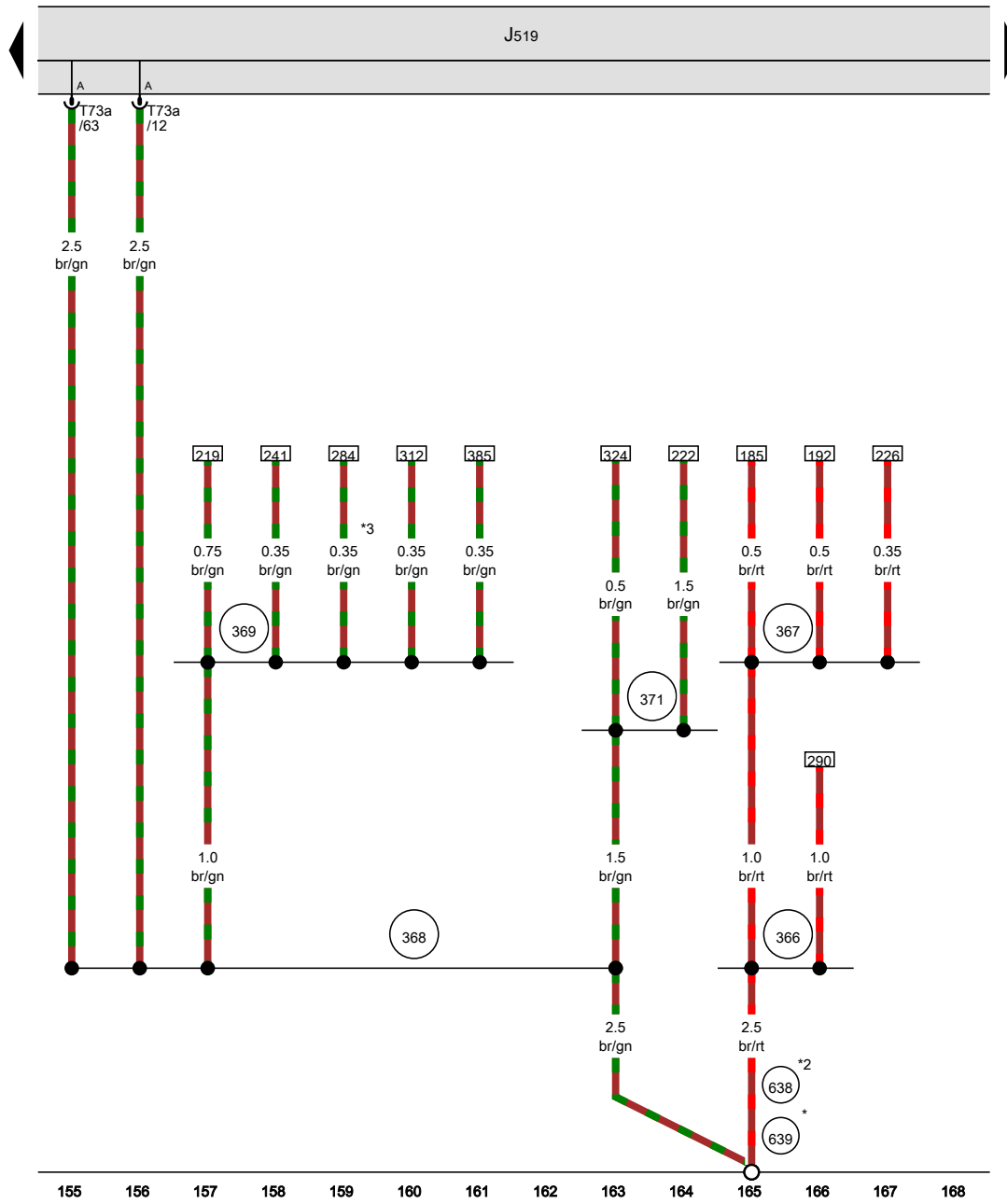
B348 Connection 1 (75a), in main wiring harness



- ws = white
- sw = black
- ro = red
- rt = red
- br = brown
- gn = green
- bl = blue
- gr = grey
- li = purple
- vi = purple
- ge = yellow
- or = orange
- rs = pink

141 142 143 144 145 146 147 148 149 150 151 152 153 154

[NH0-074120516]

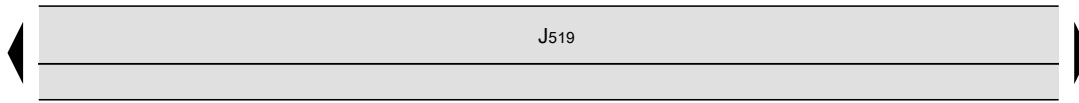


- J519 Onboard supply control unit
- T73a 73-pin connector, black
- 366 Earth connection 1, in main wiring harness
- 367 Earth connection 2, in main wiring harness
- 368 Earth connection 3, in main wiring harness
- 369 Earth connection 4, in main wiring harness
- 371 Earth connection 6, in main wiring harness
- 638 Earth point, on right A-pillar
- 639 Earth point, left A-pillar

* Only left-hand drive models
 *2 Only right-hand drive models
 *3 Special equipment

ws = white
 sw = black
 ro = red
 rt = red
 br = brown
 gn = green
 bl = blue
 gr = grey
 li = purple
 vi = purple
 ge = yellow
 or = orange
 rs = pink

[NH0-074130516]



J519 Onboard supply control unit

12 Earth point, on left in engine compartment

370 Earth connection 5, in main wiring harness

372 Earth connection 7, in main wiring harness

377 Earth connection 12, in main wiring harness

378 Earth connection 13, in main wiring harness

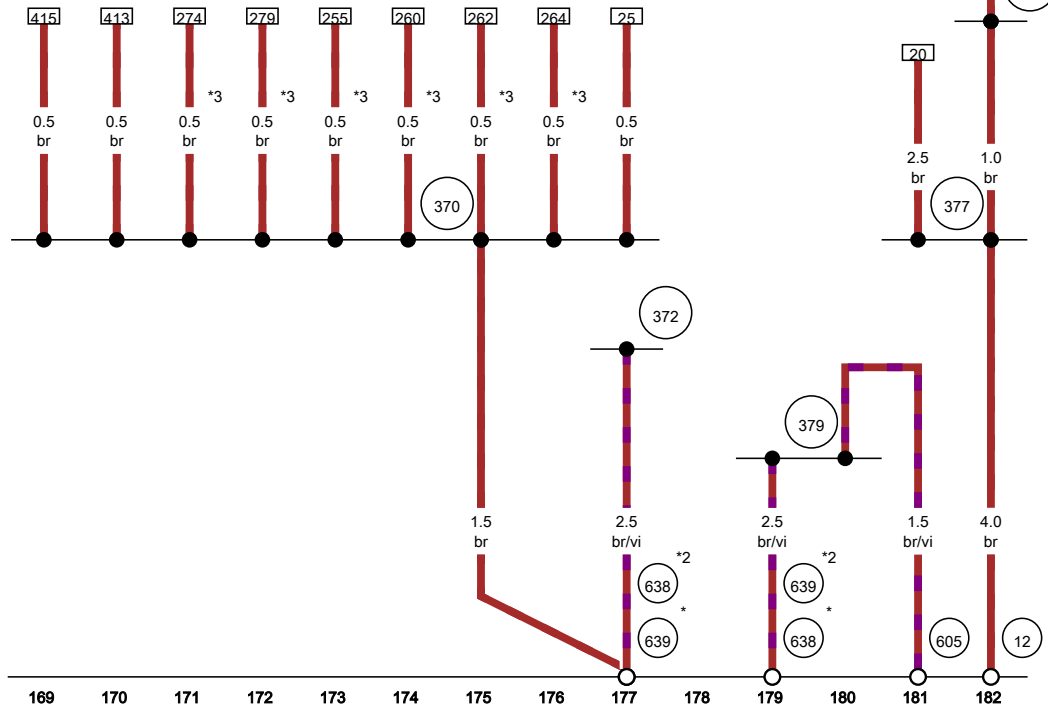
379 Earth connection 14, in main wiring harness

605 Earth point, on top end of steering column

638 Earth point, on right A-pillar

639 Earth point, left A-pillar

- * Only left-hand drive models
- *2 Only right-hand drive models
- *3 According to equipment



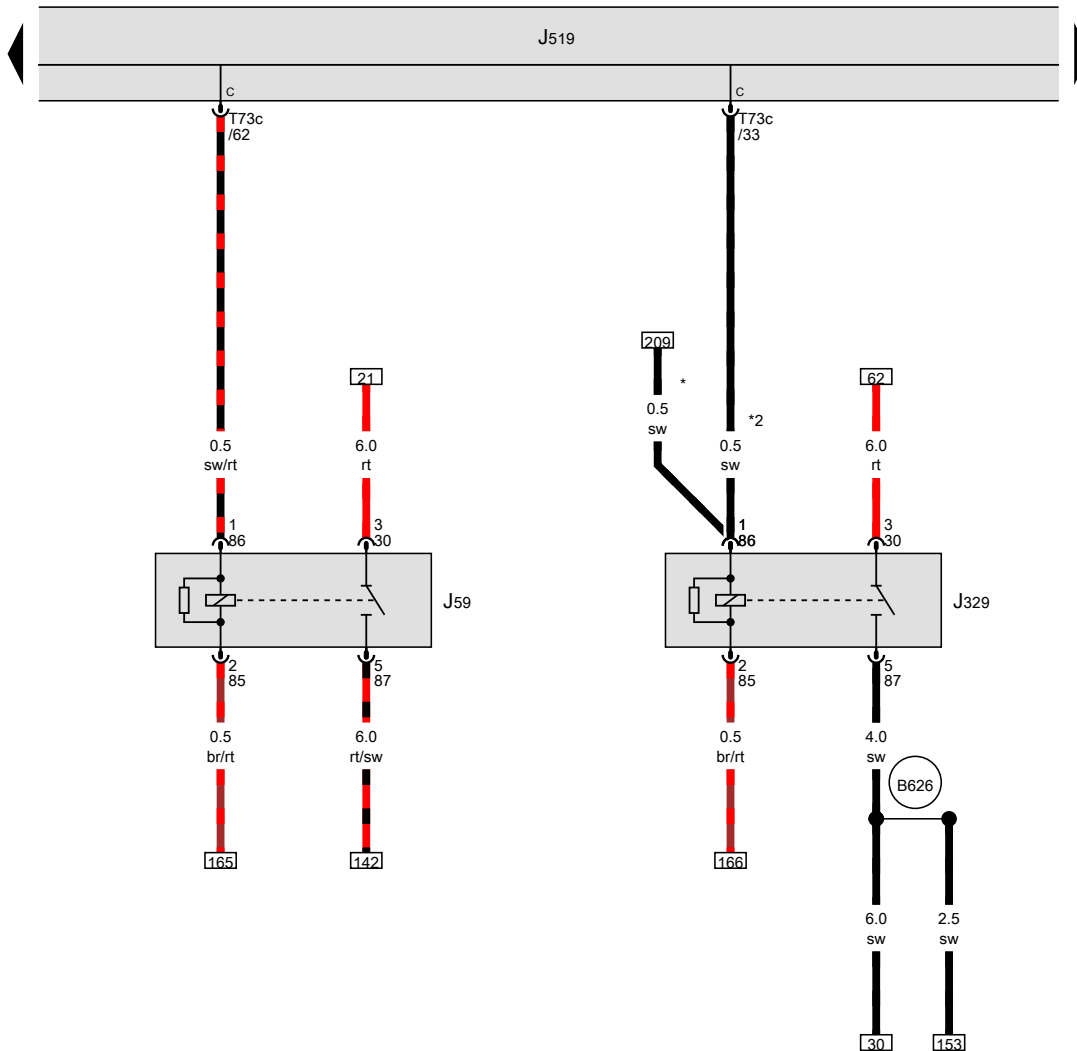
- ws = white
- sw = black
- ro = red
- rt = red
- br = brown
- gn = green
- bl = blue
- gr = grey
- li = purple
- vi = purple
- ge = yellow
- or = orange
- rs = pink

[NH0-074140516]

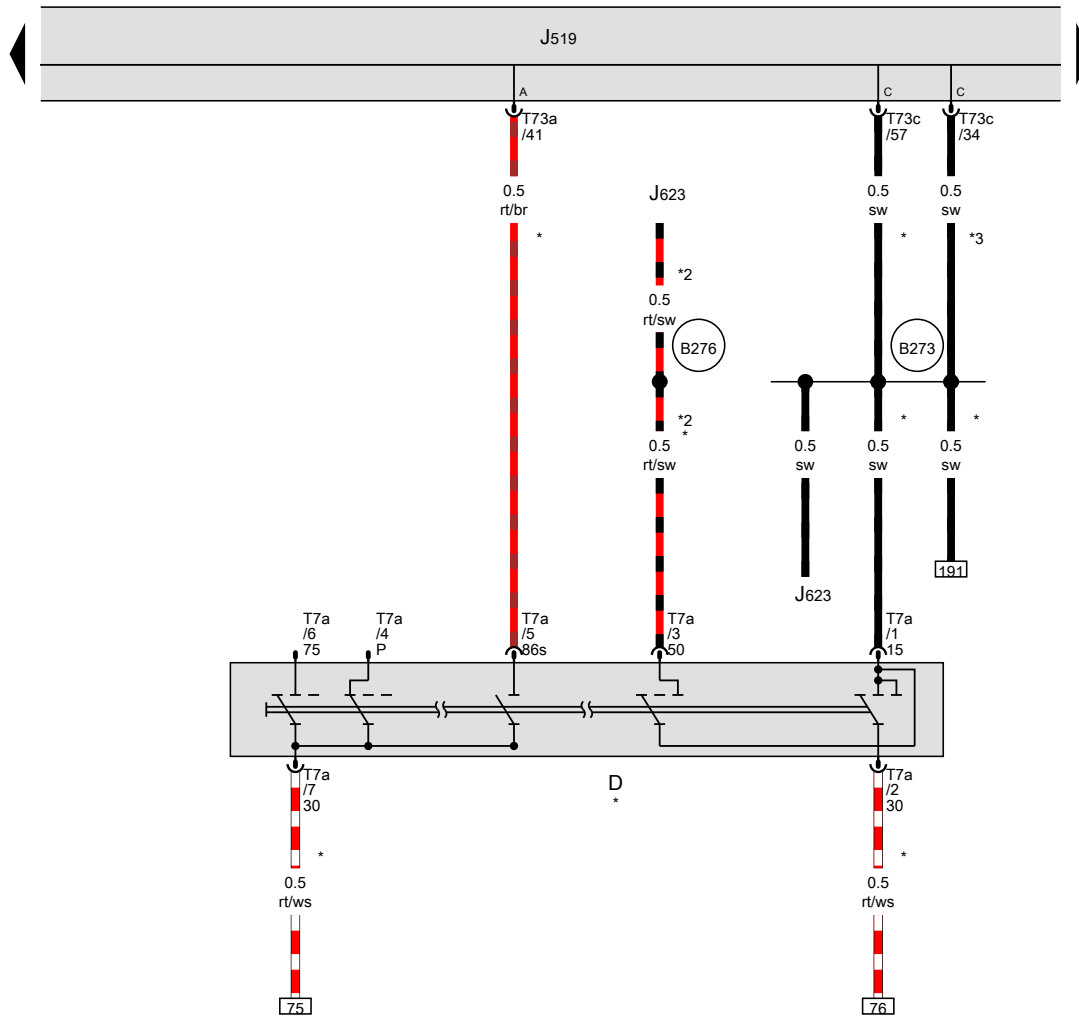
X-contact relief relay, Terminal 15 voltage supply relay

- J59 X-contact relief relay
- J329 Terminal 15 voltage supply relay
- J519 Onboard supply control unit
- T73c 73-pin connector, black

- B626 Positive connection 2 (15), in main wiring harness
- * Only models with no entry and start authorisation
- *2 Only models with entry and start authorisation



- ws = white
- sw = black
- ro = red
- rt = red
- br = brown
- gn = green
- bl = blue
- gr = grey
- li = purple
- vi = purple
- ge = yellow
- or = orange
- rs = pink



Ignition/starter switch

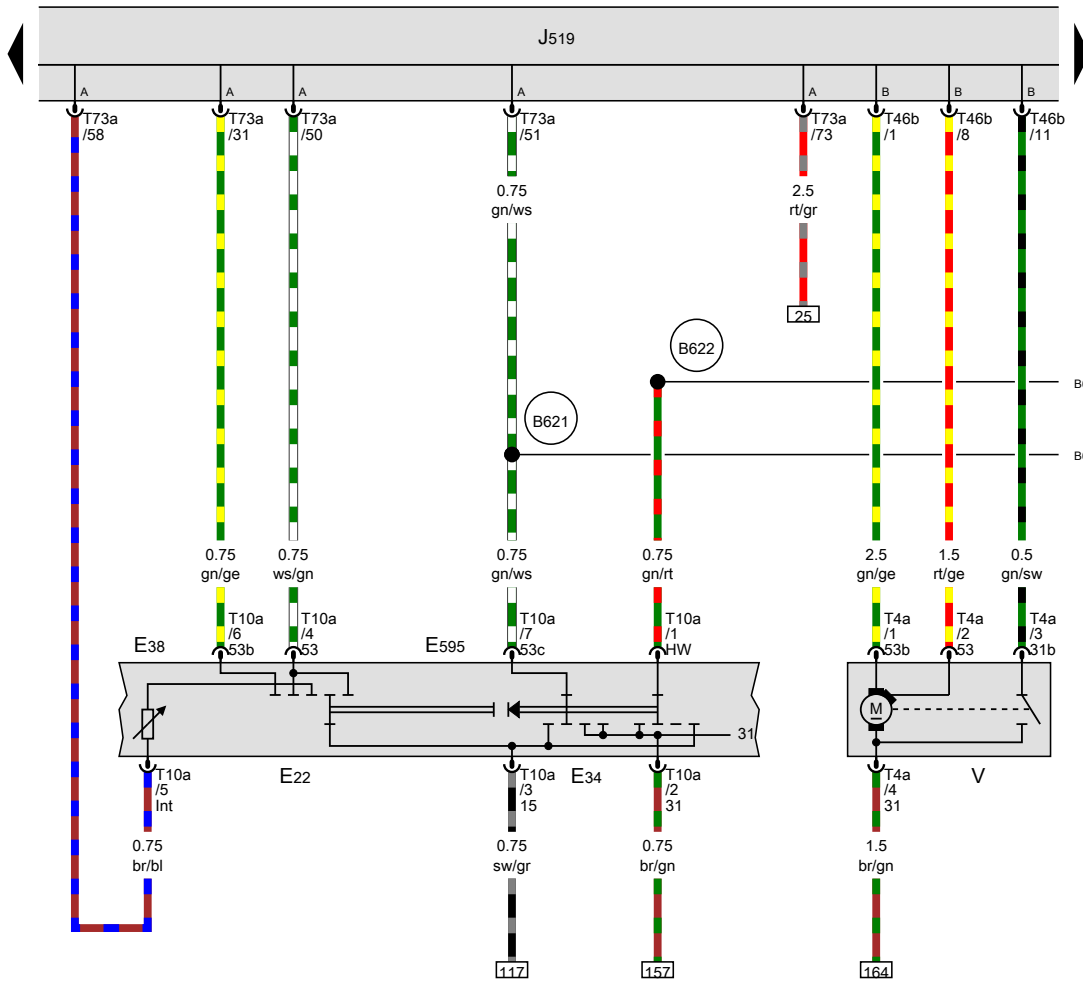
- D Ignition/starter switch
- J519 Onboard supply control unit
- J623 Engine control unit
- T7a 7-pin connector
- T73a 73-pin connector, black
- T73c 73-pin connector, black

(B273) Positive connection (15), in main wiring harness

(B276) Positive connection (50), in main wiring harness

- * Only models with no entry and start authorisation see applicable current flow diagram for engine
- *2 Only models with entry and start authorisation
- *3 Only models with entry and start authorisation

- ws = white
- sw = black
- ro = red
- rt = red
- br = brown
- gn = green
- bl = blue
- gr = grey
- li = purple
- vi = purple
- ge = yellow
- or = orange
- rs = pink



Intermittent wiper switch, Rear wiper switch, Intermittent wiper regulator, Steering column combination switch, Windscreen wiper motor

- E22 Intermittent wiper switch
- E34 Rear wiper switch
- E38 Intermittent wiper regulator
- E595 Steering column combination switch
- J519 Onboard supply control unit
- T4a 4-pin connector
- T10a 10-pin connector
- T46b 46-pin connector, brown
- T73a 73-pin connector, black
- V Windscreen wiper motor

B621 Connection 1 (53c), in main wiring harness

B622 Connection (windscreen wiper), in main wiring harness

- ws = white
- sw = black
- ro = red
- rt = red
- br = brown
- gn = green
- bl = blue
- gr = grey
- li = purple
- vi = purple
- ge = yellow
- or = orange
- rs = pink

211 212 213 214 215 216 217 218 219 220 221 222 223 224

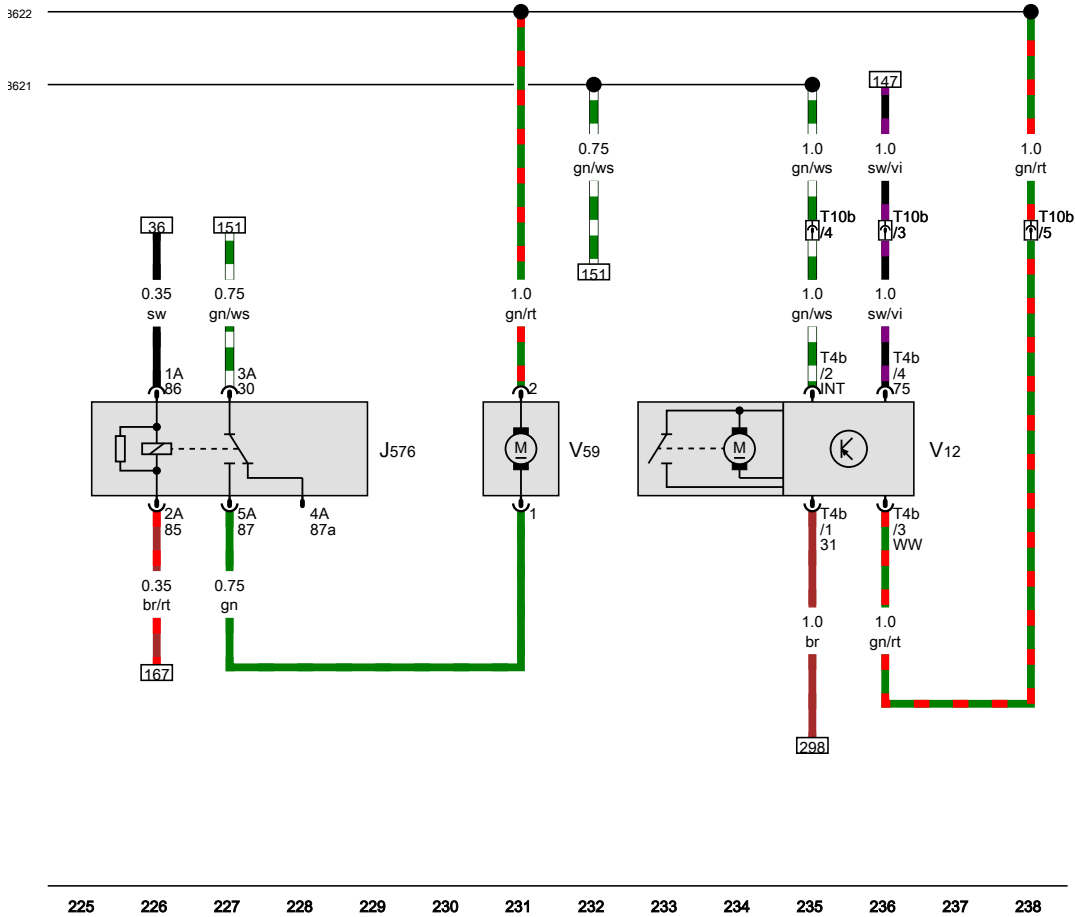
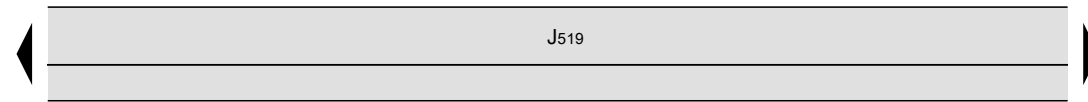
[NH0-074170516]

Washer pump relay, Rear window wiper motor, Windscreen and rear window washer pump

- J519 Onboard supply control unit
- J576 Washer pump relay
- T4b 4-pin connector
- T10b 10-pin connector
- V12 Rear window wiper motor
- V59 Windscreen and rear window washer pump

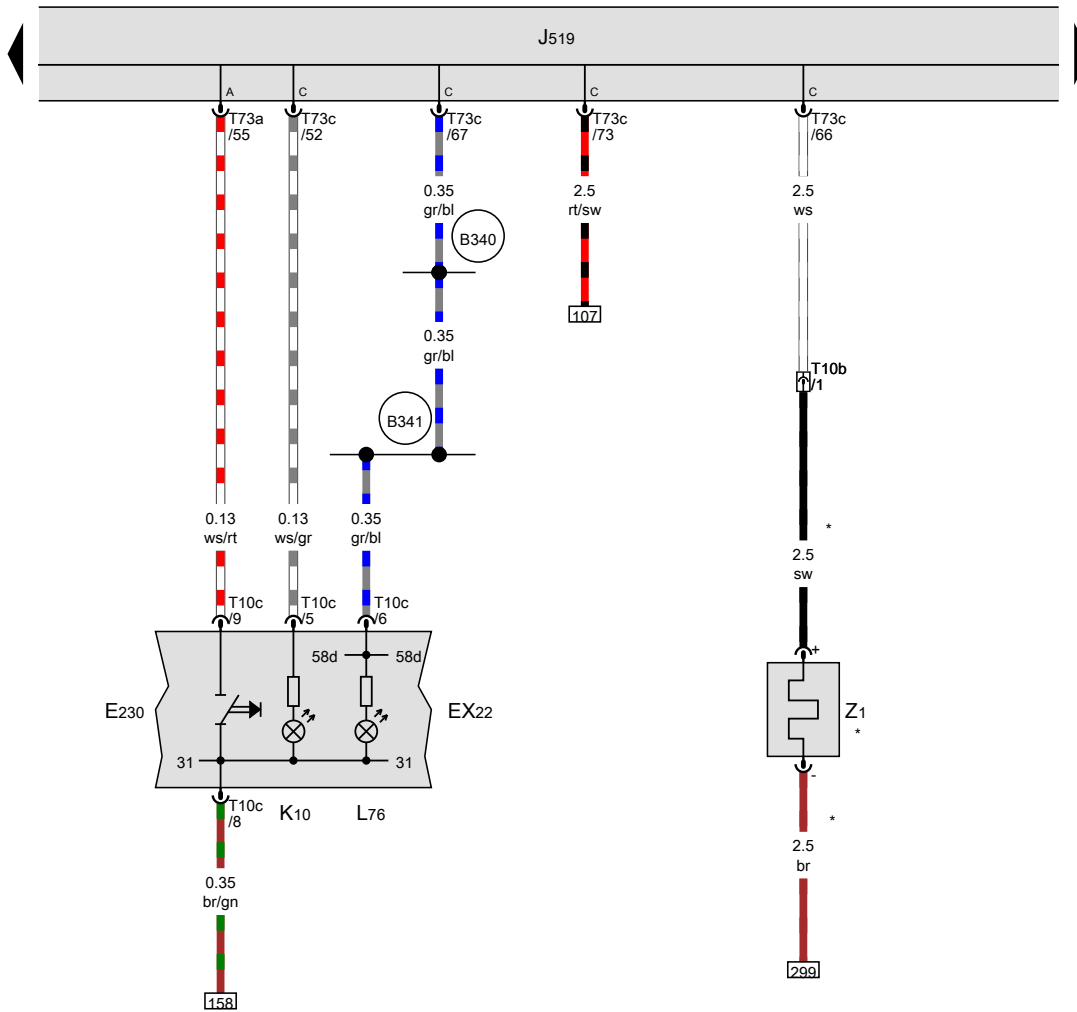
B621 Connection 1 (53c), in main wiring harness

B622 Connection (windscreen wiper), in main wiring harness



- ws = white
- sw = black
- ro = red
- rt = red
- br = brown
- gn = green
- bl = blue
- gr = grey
- li = purple
- vi = purple
- ge = yellow
- or = orange
- rs = pink

[NH0-074180516]



Centre switch module in dash panel, Heated rear window button, Heated rear window

- EX22 Centre switch module in dash panel
- E230 Heated rear window button
- J519 Onboard supply control unit
- K10 Heated rear window warning lamp
- L76 Button illumination bulb
- T10b 10-pin connector
- T10c 10-pin connector, black
- T73a 73-pin connector, black
- T73c 73-pin connector, black
- Z1 Heated rear window

B340 Connection 1 (58d), in main wiring harness

B341 Connection 2 (58d), in main wiring harness

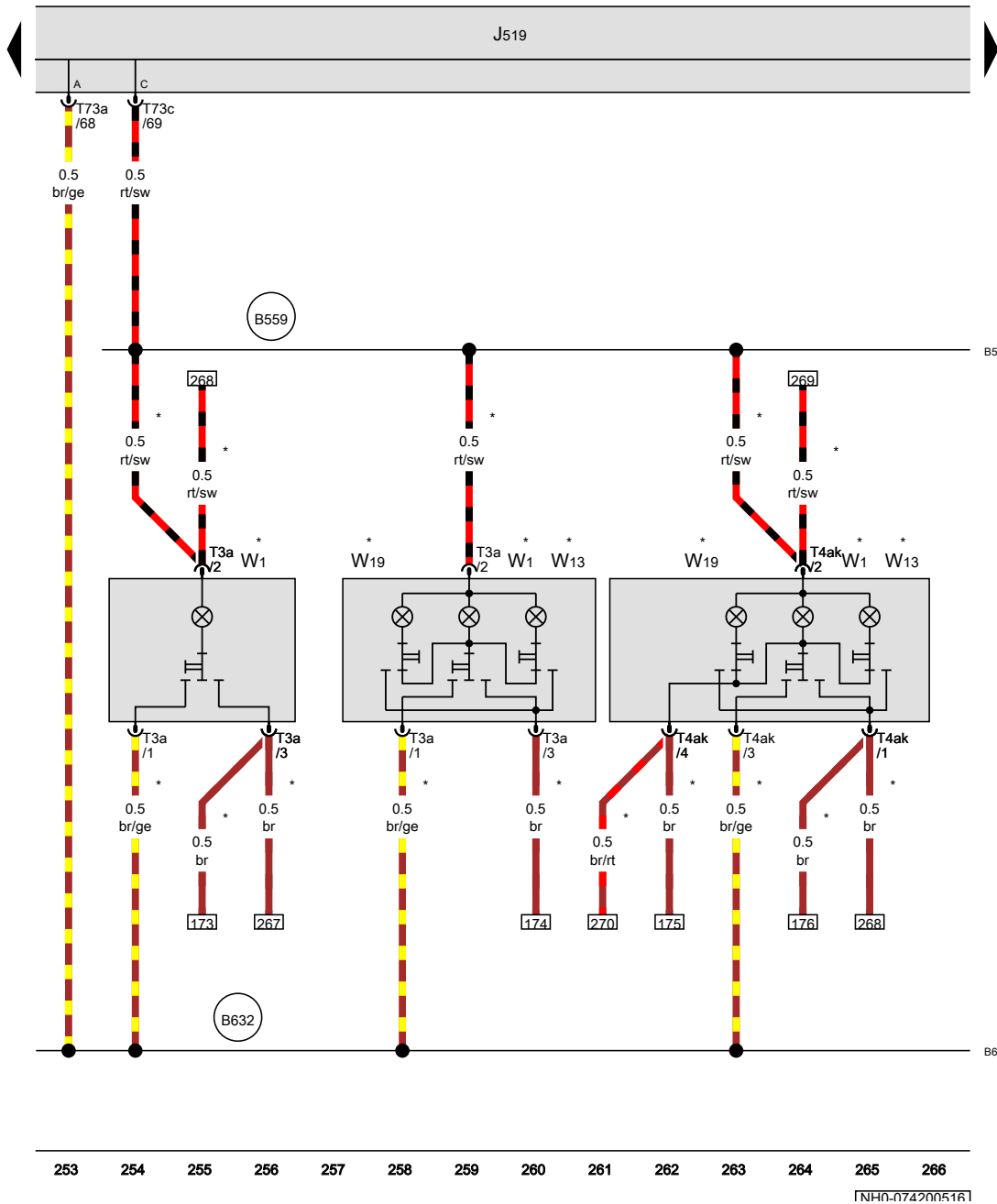
* Only models with no rear window aerial

- ws = white
- sw = black
- ro = red
- rt = red
- br = brown
- gn = green
- bl = blue
- gr = grey
- li = purple
- vi = purple
- ge = yellow
- or = orange
- rs = pink

Front interior light, Front passenger reading light, Driver side reading light

- J519 Onboard supply control unit
- T3a 3-pin connector
- T4ak 4-pin connector
- T73a 73-pin connector, black
- T73c 73-pin connector, black
- W1 Front interior light
- W13 Front passenger reading light
- W19 Driver side reading light

- B559 Positive connection 1 (30g), in main wiring harness
- B632 Connection (interior light, 31), in main wiring harness
- * According to equipment



- ws = white
- sw = black
- ro = red
- rt = red
- br = brown
- gn = green
- bl = blue
- gr = grey
- li = purple
- vi = purple
- ge = yellow
- or = orange
- rs = pink

[NH0-074200516]

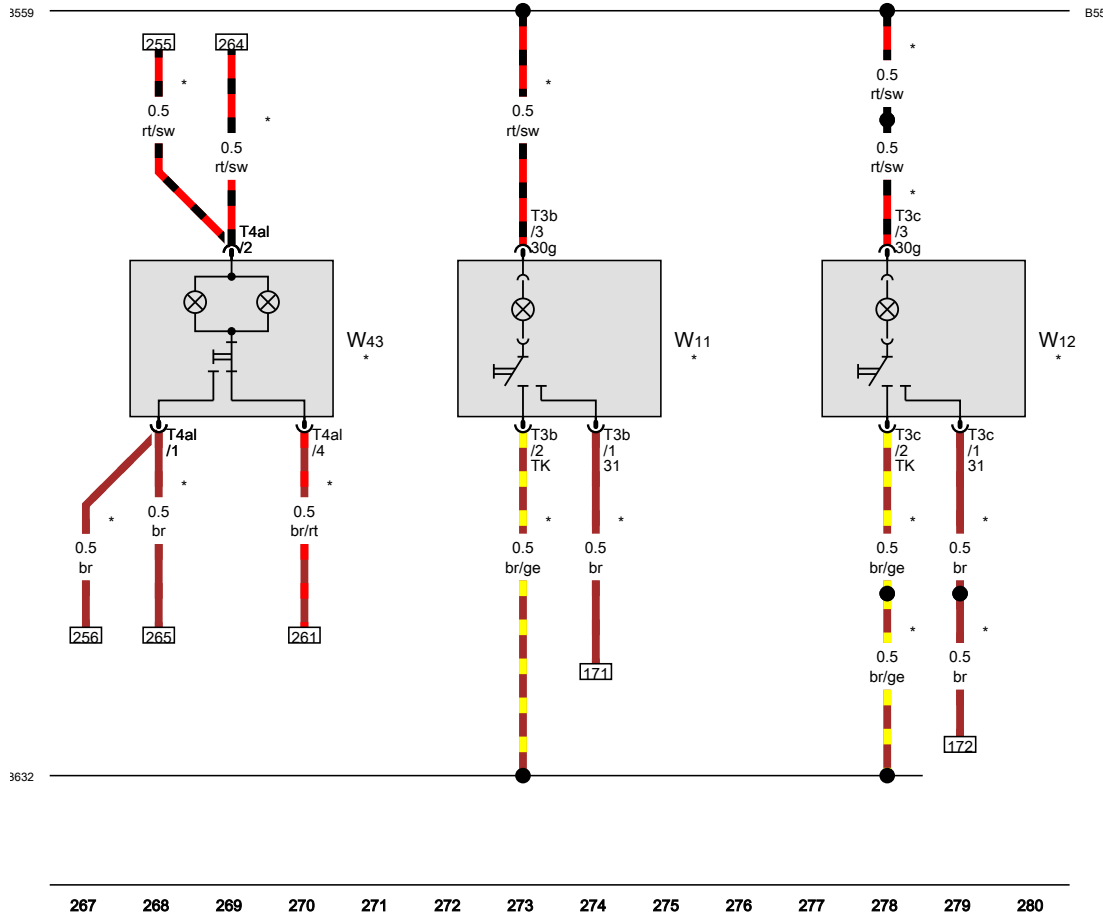
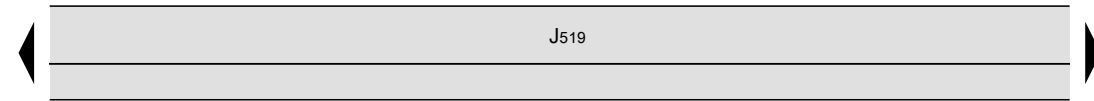
Rear left reading light, Rear right reading light, Rear interior light

- J519 Onboard supply control unit
- T3b 3-pin connector
- T3c 3-pin connector
- T4al 4-pin connector
- W11 Rear left reading light
- W12 Rear right reading light
- W43 Rear interior light

B559 Positive connection 1 (30g), in main wiring harness

B632 Connection (interior light, 31), in main wiring harness

* According to equipment

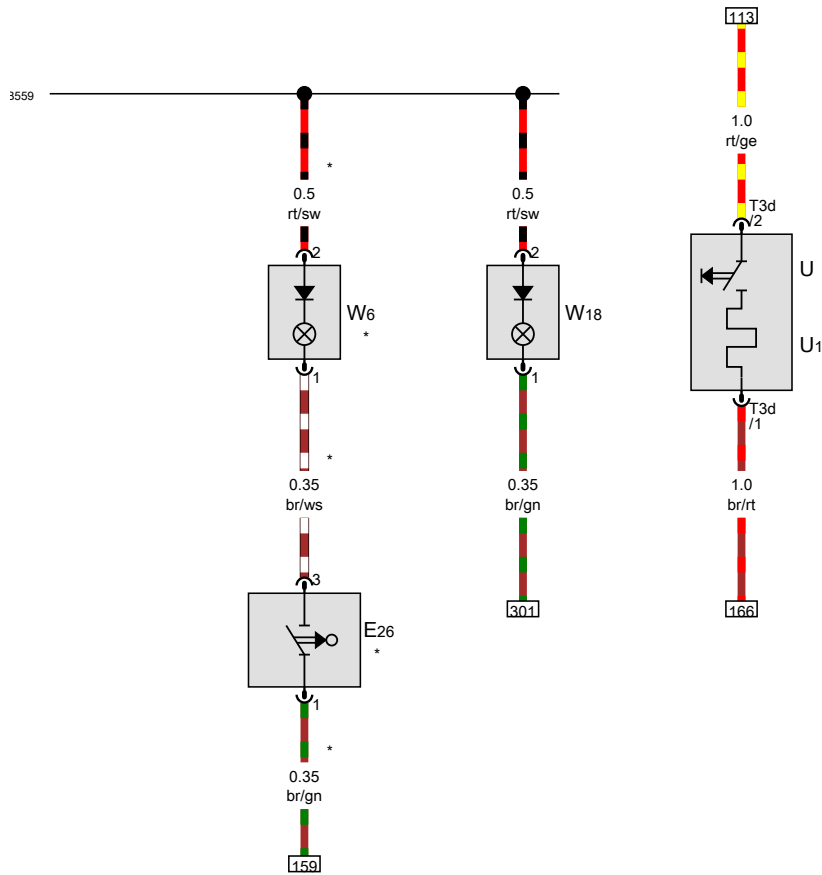
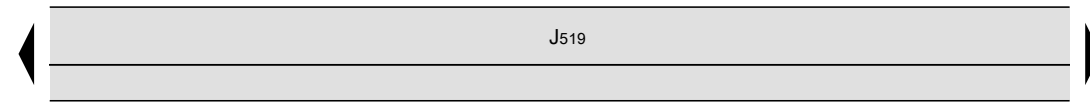


- ws = white
- sw = black
- ro = red
- rt = red
- br = brown
- gn = green
- bl = blue
- gr = grey
- li = purple
- vi = purple
- ge = yellow
- or = orange
- rs = pink

Glove compartment light switch, Electric socket, Cigarette lighter, Glove compartment light, Luggage compartment light on left

- E26 Glove compartment light switch
- J519 Onboard supply control unit
- T3d 3-pin connector
- U Electric socket
- U1 Cigarette lighter
- W6 Glove compartment light
- W18 Luggage compartment light on left

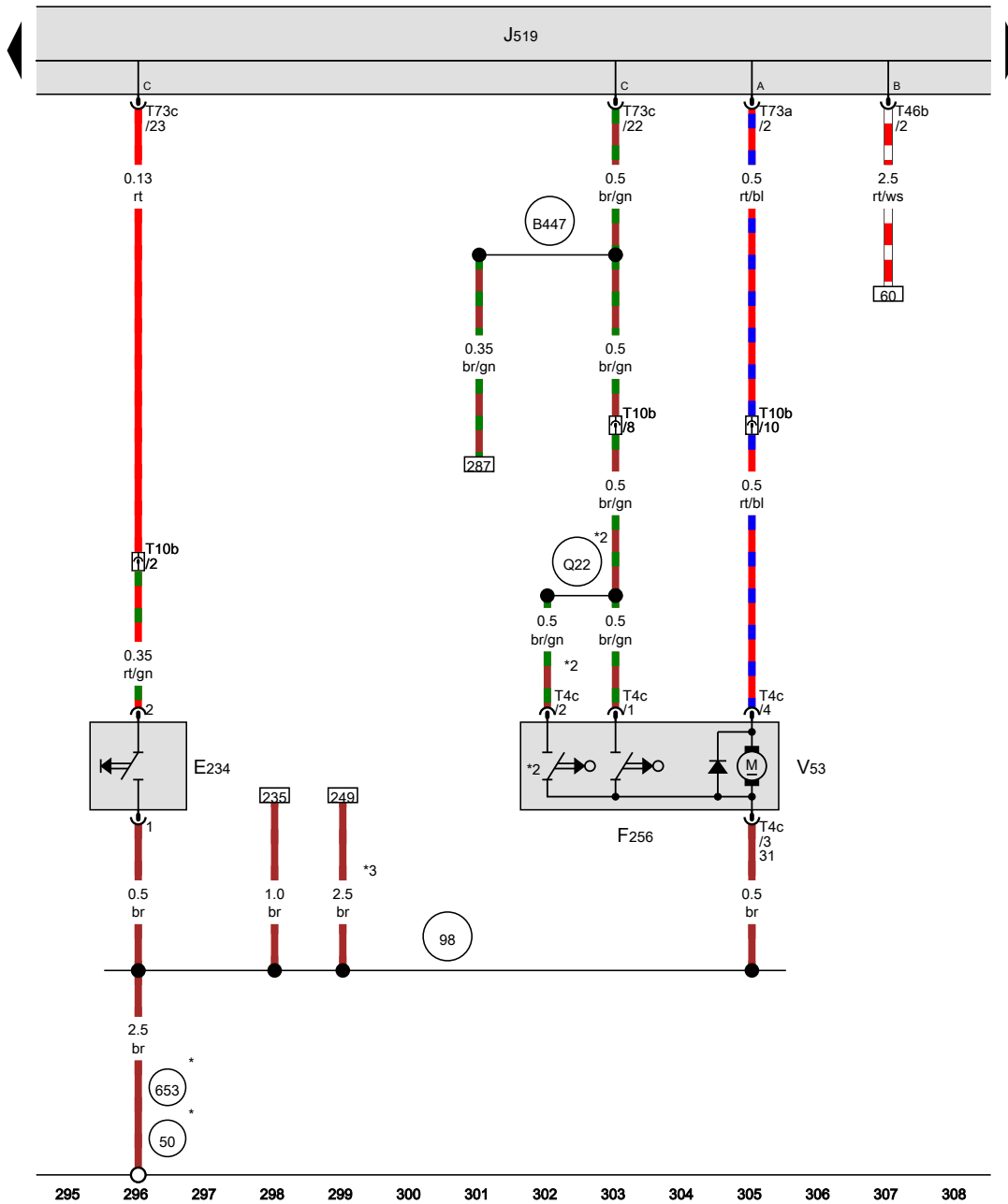
- B559 Positive connection 1 (30g), in main wiring harness
- * Special equipment



- ws = white
- sw = black
- ro = red
- rt = red
- br = brown
- gn = green
- bl = blue
- gr = grey
- li = purple
- vi = purple
- ge = yellow
- or = orange
- rs = pink

281 282 283 284 285 286 287 288 289 290 291 292 293 294

[NH0-074220516]



Rear lid handle release button, Rear lid lock unit, Rear lid central locking motor

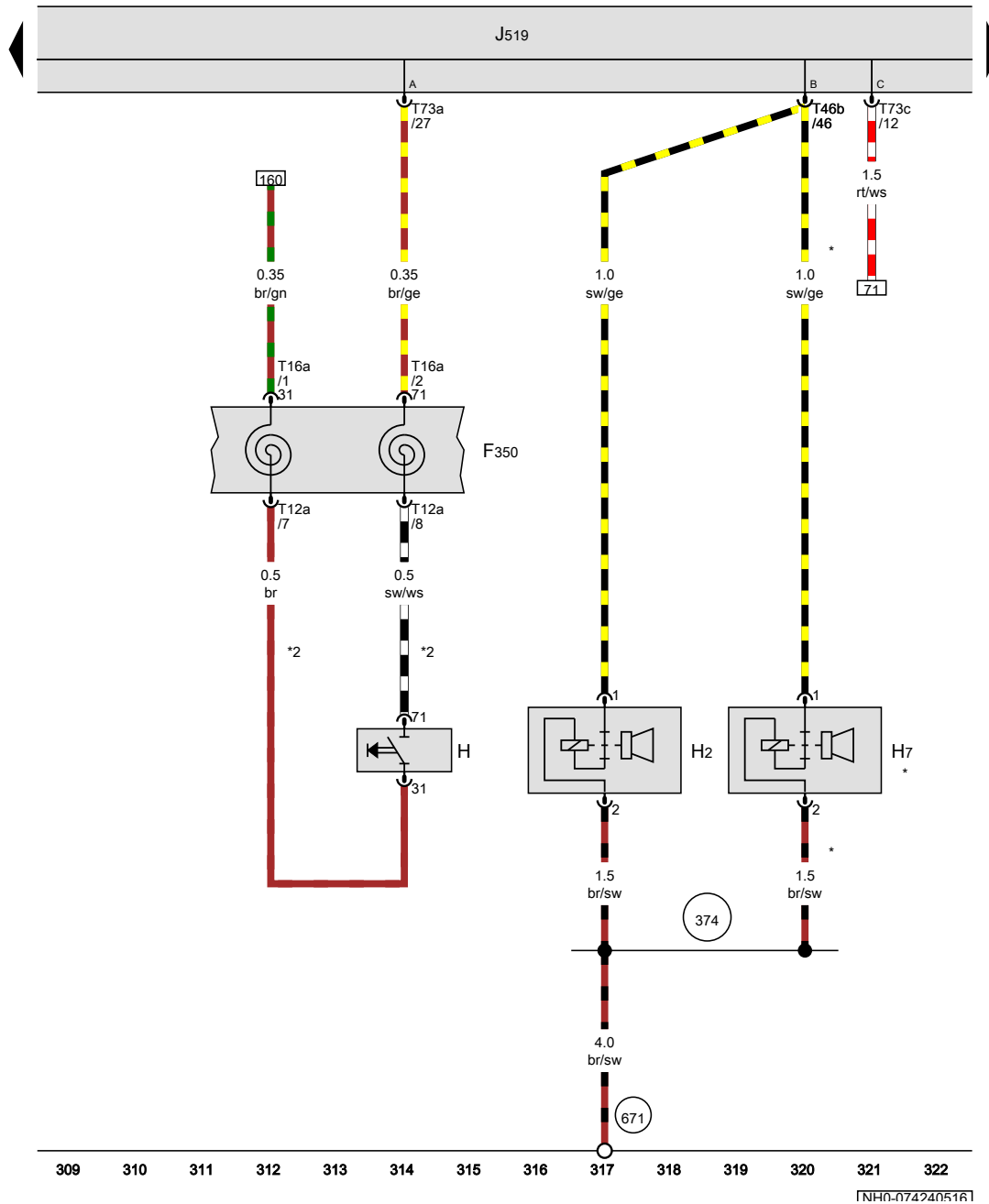
- E234 Rear lid handle release button
- F256 Rear lid lock unit
- J519 Onboard supply control unit
- T4c 4-pin connector
- T10b 10-pin connector
- T46b 46-pin connector, brown
- T73a 73-pin connector, black
- T73c 73-pin connector, black
- V53 Rear lid central locking motor

- 50 Earth point, on left in luggage compartment
- 98 Earth connection, in rear lid wiring harness
- 653 Earth point, on left D-pillar
- B447 Connection (luggage compartment light), in main wiring harness
- Q22 Connection 1, in rear lid wiring harness
- * see fitting locations
- *2 According to equipment
- *3 Only models with no rear window aerial

- ws = white
- sw = black
- ro = red
- rt = red
- br = brown
- gn = green
- bl = blue
- gr = grey
- li = purple
- vi = purple
- ge = yellow
- or = orange
- rs = pink

[NH0-074230516]

Coil connector, Horn plate, Treble horn, Bass horn



- F350 Coil connector
- H Horn plate
- H2 Treble horn
- H7 Bass horn
- J519 Onboard supply control unit
- T12a 12-pin connector
- T16a 16-pin connector
- T46b 46-pin connector, brown
- T73a 73-pin connector, black
- T73c 73-pin connector, black

- 374 Earth connection 9, in main wiring harness
- 671 Earth point 1, on front of left longitudinal member
- * Only models with dual tone horn
- *2 Only models with no multifunction steering wheel

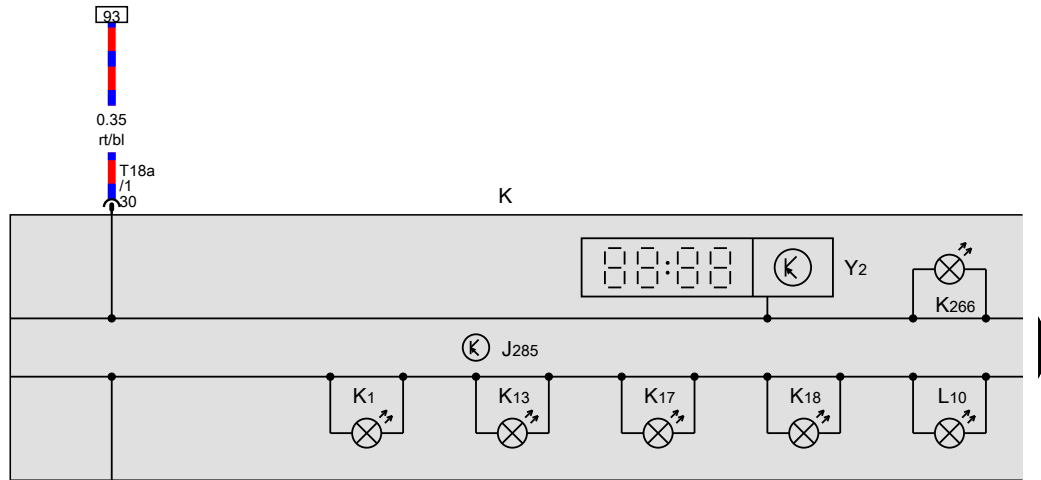
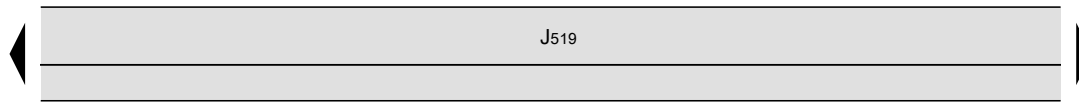
- ws = white
- sw = black
- ro = red
- rt = red
- br = brown
- gn = green
- bl = blue
- gr = grey
- li = purple
- vi = purple
- ge = yellow
- or = orange
- rs = pink

309 310 311 312 313 314 315 316 317 318 319 320 321 322

[NH0-074240516]

Dash panel insert, Digital clock

- J285 Control unit in dash panel insert
- J519 Onboard supply control unit
- K Dash panel insert
- K1 Main beam warning lamp
- K13 Rear fog light warning lamp
- K17 Fog light warning lamp
- K18 Trailer operation warning lamp
- K266 Warning lamp for dipped beams
- L10 Dash panel insert illumination bulb
- T18a 18-pin connector
- Y2 Digital clock



93

0.35
rt/bl
T18a
/1
30

K

J285

Y2

K266

K1

K13

K17

K18

L10

T18a
/10
31

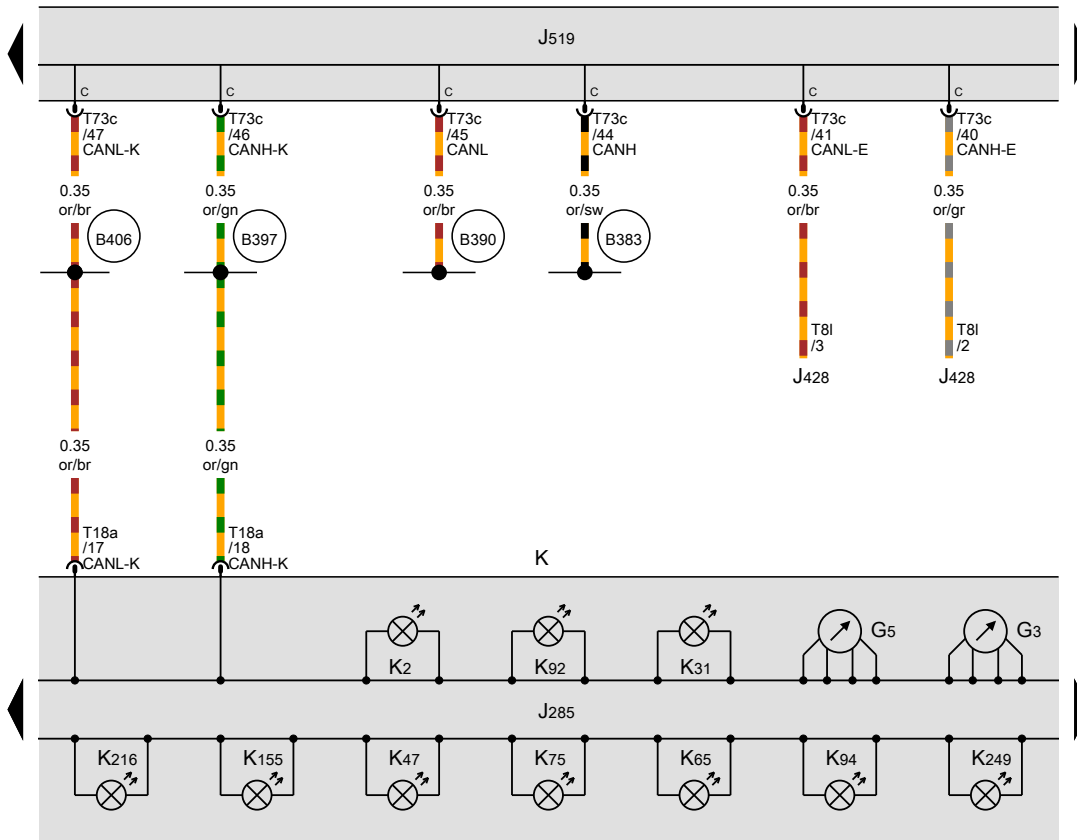
0.5
br/gn

163

- ws = white
- sw = black
- ro = red
- rt = red
- br = brown
- gn = green
- bl = blue
- gr = grey
- li = purple
- vi = purple
- ge = yellow
- or = orange
- rs = pink

323 324 325 326 327 328 329 330 331 332 333 334 335 336

[NH0-074250516]



Coolant temperature gauge, Rev. counter, Dash panel insert

- G3 Coolant temperature gauge
- G5 Rev. counter
- J285 Control unit in dash panel insert
- J428 Adaptive cruise control unit
- J519 Onboard supply control unit
- K Dash panel insert
- K2 Alternator warning lamp
- K31 Cruise control system warning lamp
- K47 ABS warning lamp
- K65 Left turn signal warning lamp
- K75 Airbag warning lamp
- K92 Servotronic warning lamp
- K94 Right turn signal warning lamp
- K155 Warning lamp for electronic stabilisation program and TCS
- K216 Warning lamp 2 for electronic stabilisation program and TCS
- K249 Cold engine warning light
- T81 8-pin connector
- T18a 18-pin connector
- T73c 73-pin connector, black

- B383 Connection 1 (powertrain CAN bus, high), in main wiring harness
- B390 Connection 1 (powertrain CAN bus, low), in main wiring harness
- B397 Connection 1 (convenience CAN bus, high), in main wiring harness
- B406 Connection 1 (convenience CAN bus, low), in main wiring harness

- ws = white
- sw = black
- ro = red
- rt = red
- br = brown
- gn = green
- bl = blue
- gr = grey
- li = purple
- vi = purple
- ge = yellow
- or = orange
- rs = pink

337 338 339 340 341 342 343 344 345 346 347 348 349 350

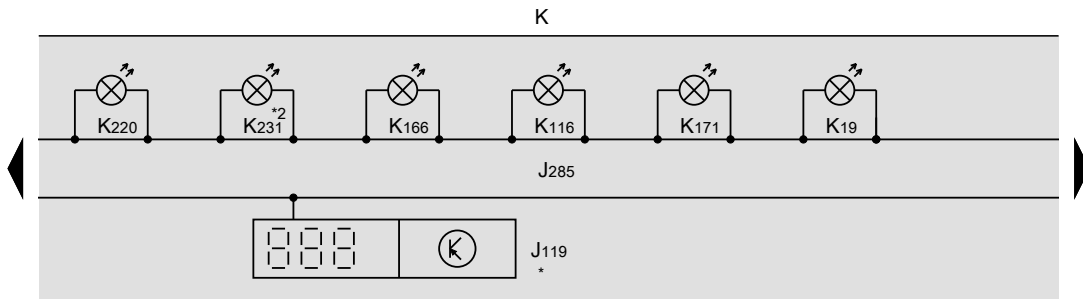
1NH0-0742605161

Ambient temperature sensor, Multifunction indicator, Dash panel insert

- G17 Ambient temperature sensor
- J119 Multifunction indicator
- J285 Control unit in dash panel insert
- J519 Onboard supply control unit
- K Dash panel insert
- K19 Seat belt warning system warning lamp
- K116 Rear lid open warning lamp
- K166 Door open warning lamp
- K171 Bonnet open warning lamp
- K220 Tyre Pressure Loss Indicator warning lamp
- K231 Diesel particulate filter warning lamp
- T46b 46-pin connector, brown

410 Earth connection 1 (sender earth) in main wiring harness

- * Only models with multifunction display
- *2 Only models with diesel particulate filter



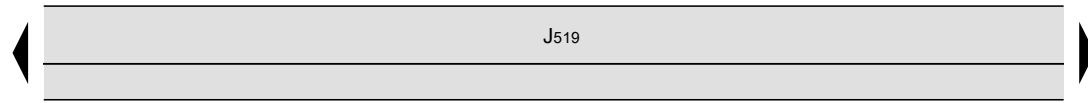
- ws = white
- sw = black
- ro = red
- rt = red
- br = brown
- gn = green
- bl = blue
- gr = grey
- li = purple
- vi = purple
- ge = yellow
- or = orange
- rs = pink

351 352 353 354 355 356 357 358 359 360 361 362 363 364

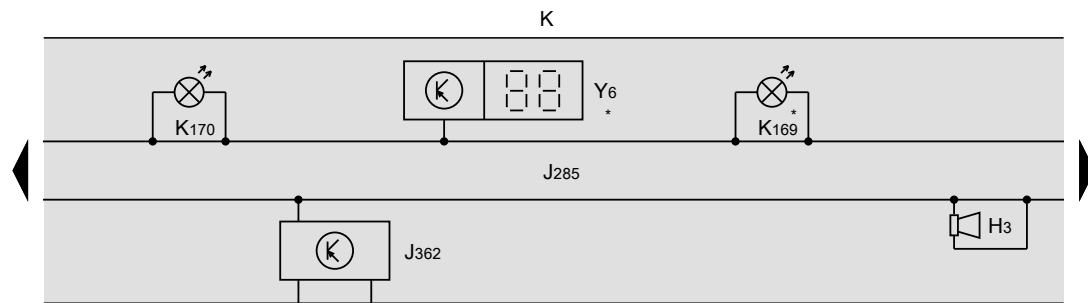
[NH0-074270516]

Immobiliser reader coil, Buzzer and gong, Immobiliser control unit, Dash panel insert, Selector lever position display

- D2 Immobiliser reader coil
 - H3 Buzzer and gong
 - J285 Control unit in dash panel insert
 - J362 Immobiliser control unit
 - J519 Onboard supply control unit
 - K Dash panel insert
 - K169 Selector lever lock warning lamp
 - K170 Bulb failure warning lamp
 - T18a 18-pin connector
 - Y6 Selector lever position display
- 410 Earth connection 1 (sender earth) in main wiring harness
- * Only models with automatic gearbox



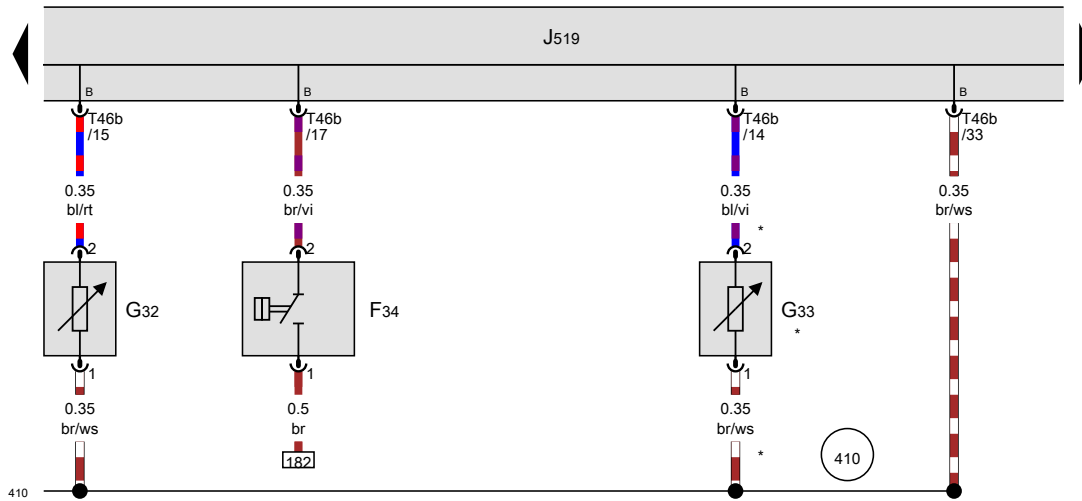
410



365 366 367 368 369 370 371 372 373 374 375 376 377 378

[NH0-074280516]

- ws = white
- sw = black
- ro = red
- rt = red
- br = brown
- gn = green
- bl = blue
- gr = grey
- li = purple
- vi = purple
- ge = yellow
- or = orange
- rs = pink

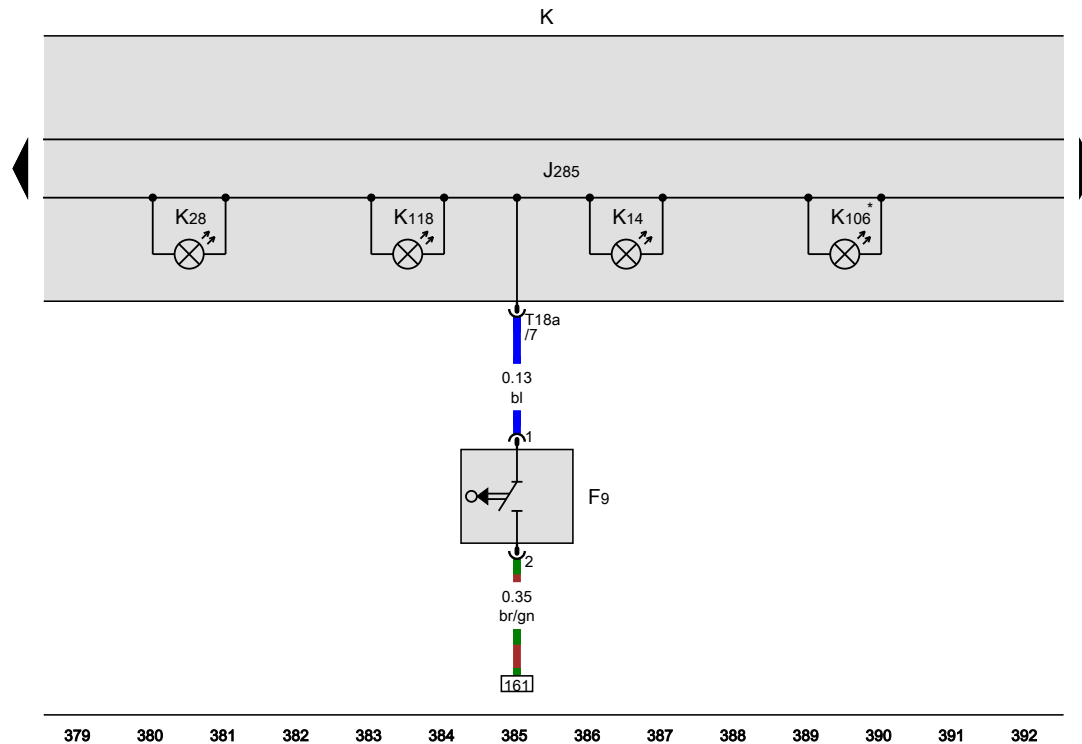


Handbrake warning switch, Brake fluid level warning contact, Coolant shortage indicator sender, Windscreen washer fluid level sender, Dash panel insert

- F9 Handbrake warning switch
- F34 Brake fluid level warning contact
- G32 Coolant shortage indicator sender
- G33 Windscreen washer fluid level sender
- J285 Control unit in dash panel insert
- J519 Onboard supply control unit
- K Dash panel insert
- K14 Handbrake warning lamp
- K28 Coolant temperature and coolant shortage warning lamp
- K106 Washer fluid low warning lamp
- K118 Brake system warning lamp
- T18a 18-pin connector
- T46b 46-pin connector, brown

410 Earth connection 1 (sender earth) in main wiring harness

* Special equipment



- ws = white
- sw = black
- ro = red
- rt = red
- br = brown
- gn = green
- bl = blue
- gr = grey
- li = purple
- vi = purple
- ge = yellow
- or = orange
- rs = pink

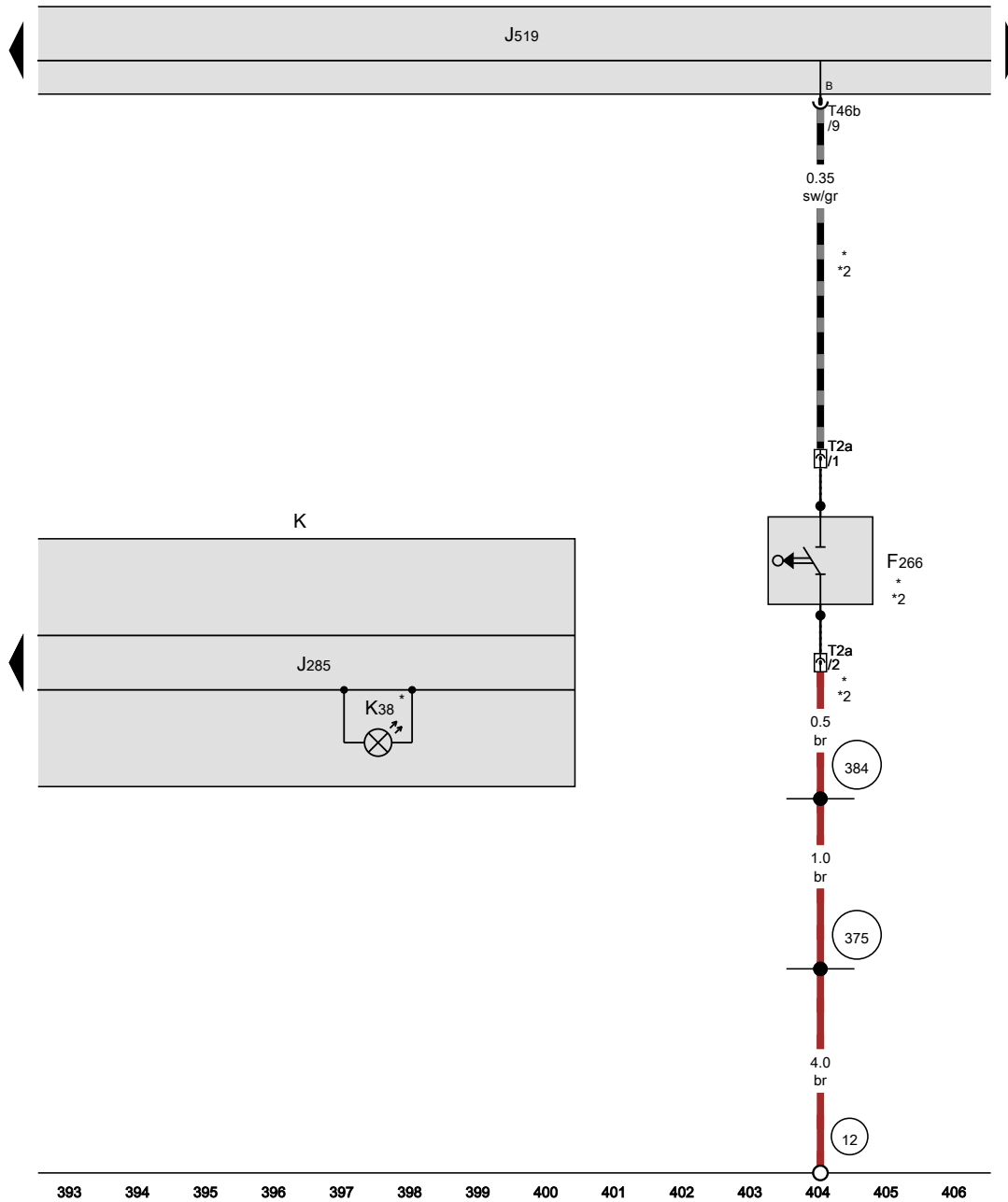
[NH0-074290516]

Bonnet contact switch, Dash panel insert

- F266 Bonnet contact switch
- J285 Control unit in dash panel insert
- J519 Onboard supply control unit
- K Dash panel insert
- K38 Oil level warning lamp
- T2a 2-pin connector
- T46b 46-pin connector, brown

- 12 Earth point, on left in engine compartment
- 375 Earth connection 10, in main wiring harness
- 384 Earth connection 19, in main wiring harness

- * Only models with extended servicing intervals (ESI)
- *2 For models with anti-theft alarm system

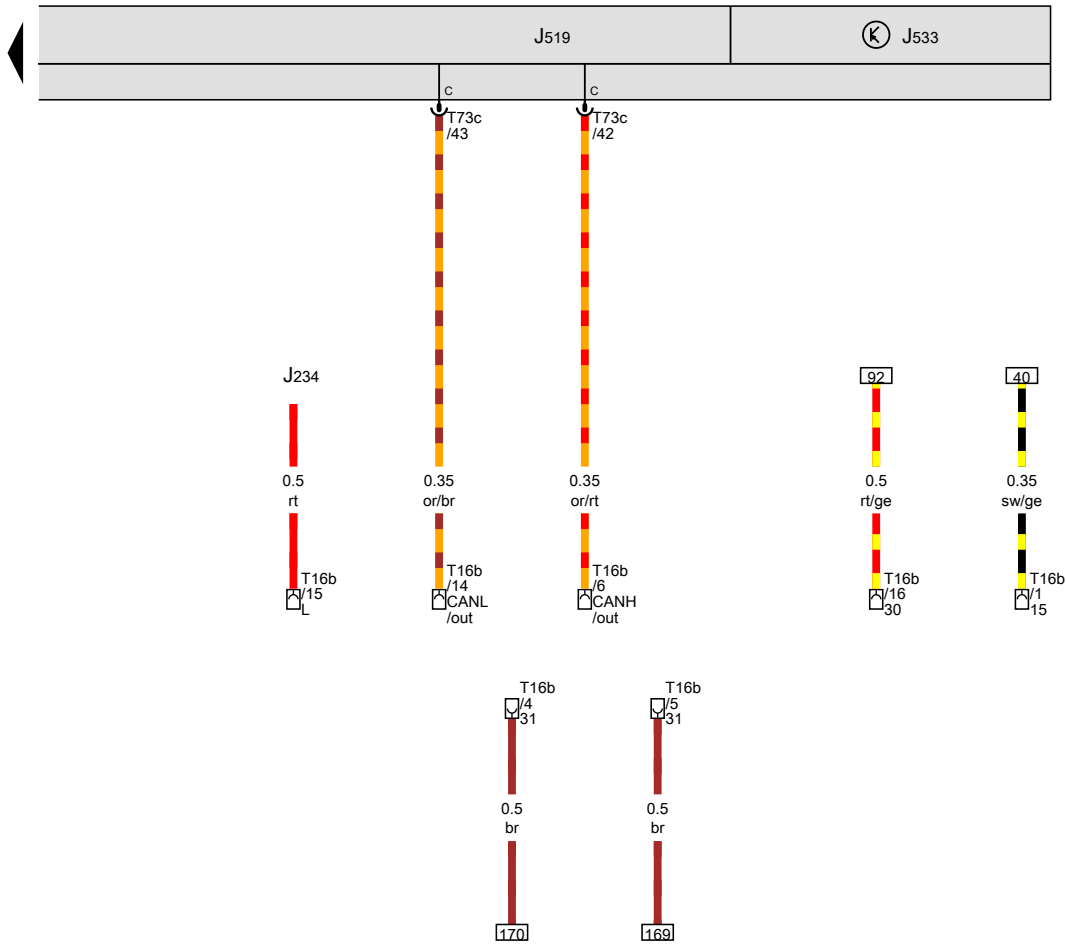


- ws = white
- sw = black
- ro = red
- rt = red
- br = brown
- gn = green
- bl = blue
- gr = grey
- li = purple
- vi = purple
- ge = yellow
- or = orange
- rs = pink

[NH0-074300516]

Data bus diagnostic interface, 16-pin connector

- J234 Airbag control unit
- J519 Onboard supply control unit
- J533 Data bus diagnostic interface
- T16b 16-pin connector, on diagnostic connection
- T73c 73-pin connector, black



- ws = white
- sw = black
- ro = red
- rt = red
- br = brown
- gn = green
- bl = blue
- gr = grey
- li = purple
- vi = purple
- ge = yellow
- or = orange
- rs = pink

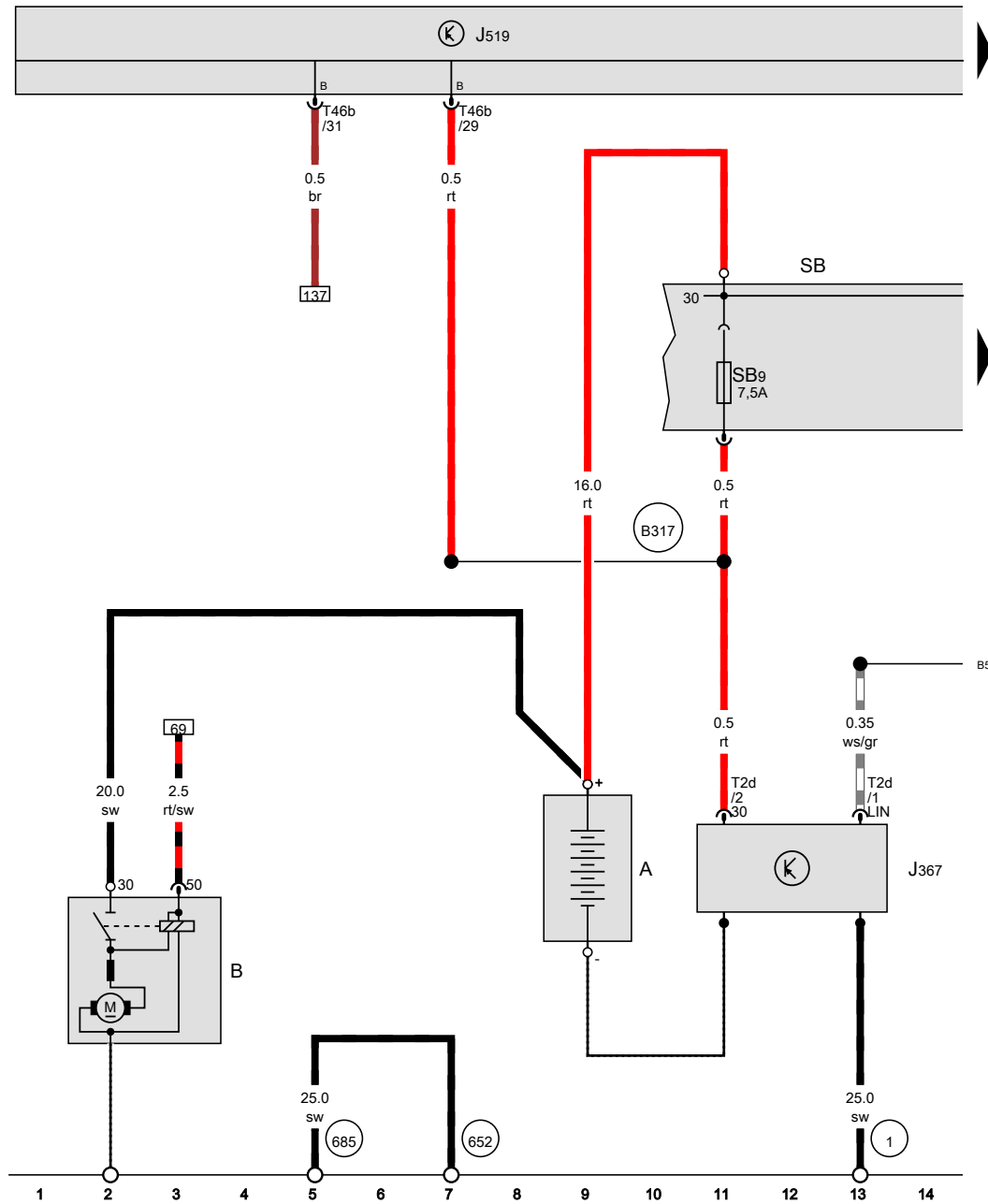
407 408 409 410 411 412 413 414 415 416 417 418 419 420

[NH0-074310516]

1.2l petrol engine with start/stop system , CJZC,CJZD,(7L6)

From November 2015

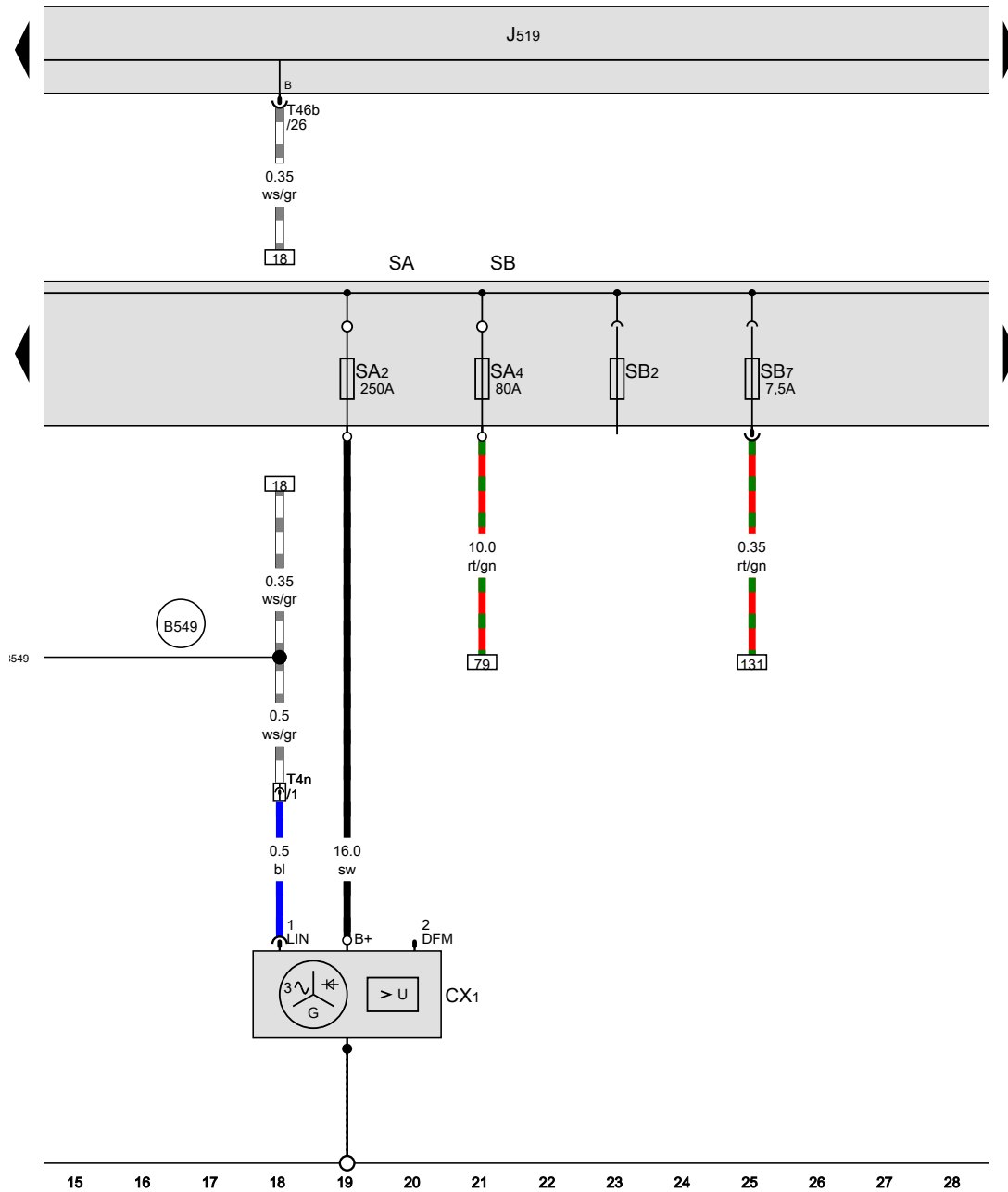
Battery, Starter, Battery monitor control unit, Fuse holder B



- A Battery
- B Starter
- J367 Battery monitor control unit
- J519 Onboard supply control unit
- SB Fuse holder B
- SB9 Fuse 9 on fuse holder B
- T2d 2-pin connector
- T46b 46-pin connector, brown
- 1 Earth strap, battery - body
- 652 Earth point, engine and gearbox earth
- 685 Earth point 1 at front of right longitudinal member
- B317 Positive connection 3 (30a) in main wiring harness
- B549 Connection 2 (LIN bus) in main wiring harness

- ws = white
- sw = black
- ro = red
- rt = red
- br = brown
- gn = green
- bl = blue
- gr = grey
- li = purple
- vi = purple
- ge = yellow
- or = orange
- rs = pink

[NH0-075020516]



Alternator with voltage regulator, Fuse holder A, Fuse holder B

- CX1 Alternator with voltage regulator
- J519 Onboard supply control unit
- SA Fuse holder A
- SA2 Fuse 2 in fuse holder A
- SB2 Fuse 2 on fuse holder B
- SA4 Fuse 4 in fuse holder A
- SB Fuse holder B
- SB7 Fuse 7 on fuse holder B
- T4n 4-pin connector, front left in engine compartment
- T46b 46-pin connector, brown

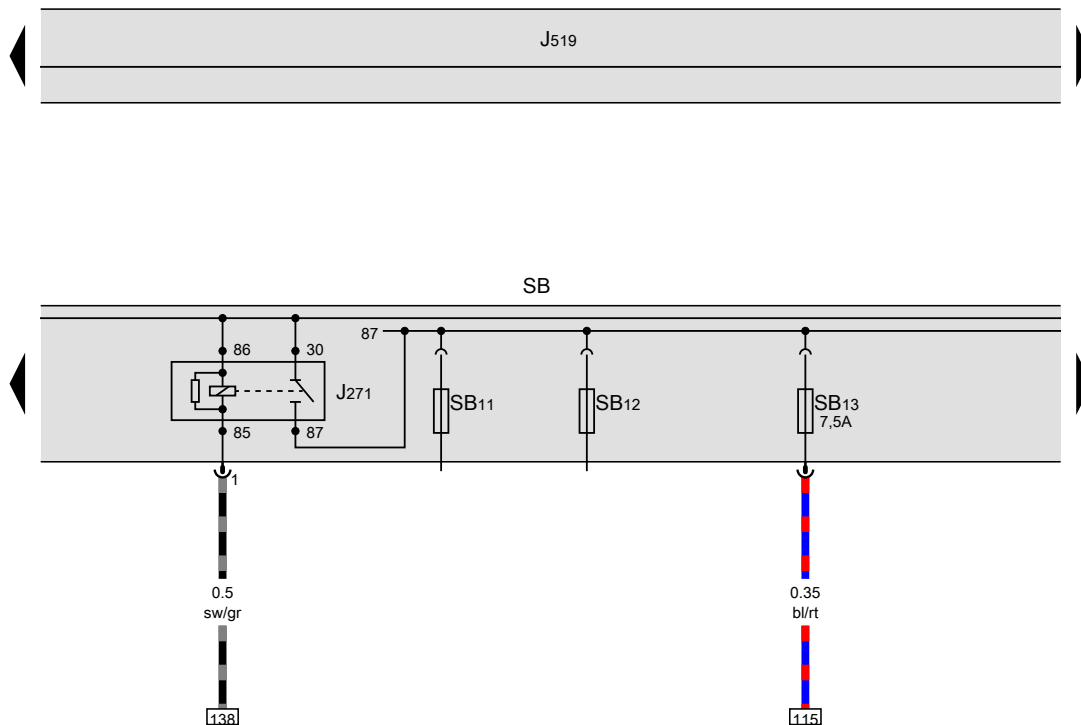
B549 Connection 2 (LIN bus) in main wiring harness

- ws = white
- sw = black
- ro = red
- rt = red
- br = brown
- gn = green
- bl = blue
- gr = grey
- li = purple
- vi = purple
- ge = yellow
- or = orange
- rs = pink

[NH0-075030516]

Main relay, Fuse holder B

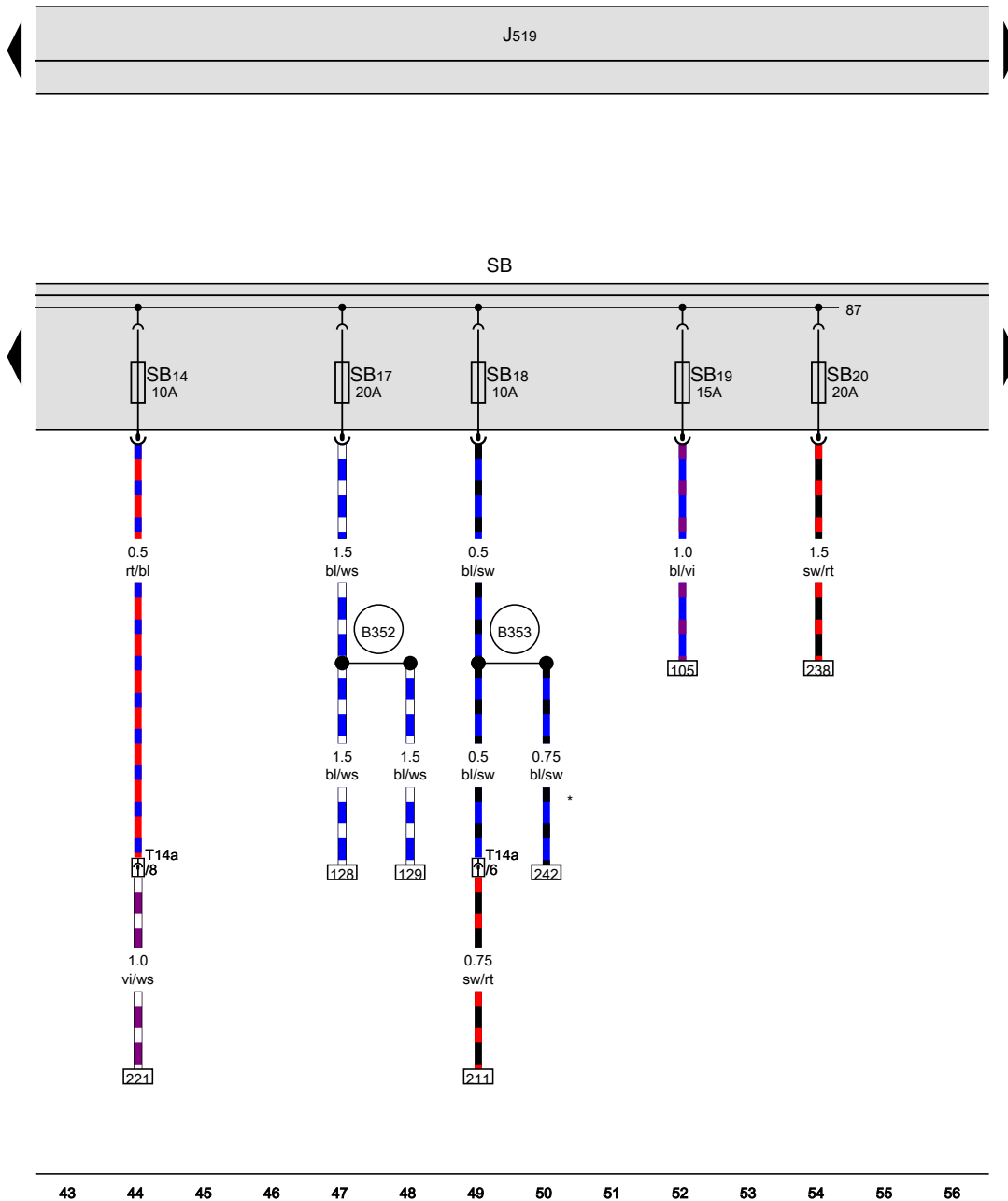
- J271 Main relay
- J519 Onboard supply control unit
- SB Fuse holder B
- SB11 Fuse 11 on fuse holder B
- SB12 Fuse 12 on fuse holder B
- SB13 Fuse 13 on fuse holder B



- ws = white
- sw = black
- ro = red
- rt = red
- br = brown
- gn = green
- bl = blue
- gr = grey
- li = purple
- vi = purple
- ge = yellow
- or = orange
- rs = pink

29 30 31 32 33 34 35 36 37 38 39 40 41 42

[NH0-075040516]



Fuse holder B

- J519 Onboard supply control unit
- SB Fuse holder B
- SB14 Fuse 14 on fuse holder B
- SB17 Fuse 17 on fuse holder B
- SB18 Fuse 18 on fuse holder B
- SB19 Fuse 19 on fuse holder B
- SB20 Fuse 20 on fuse holder B
- T14a 14-pin connector, front left in engine compartment

B352 Positive connection 3 (87a) in main wiring harness

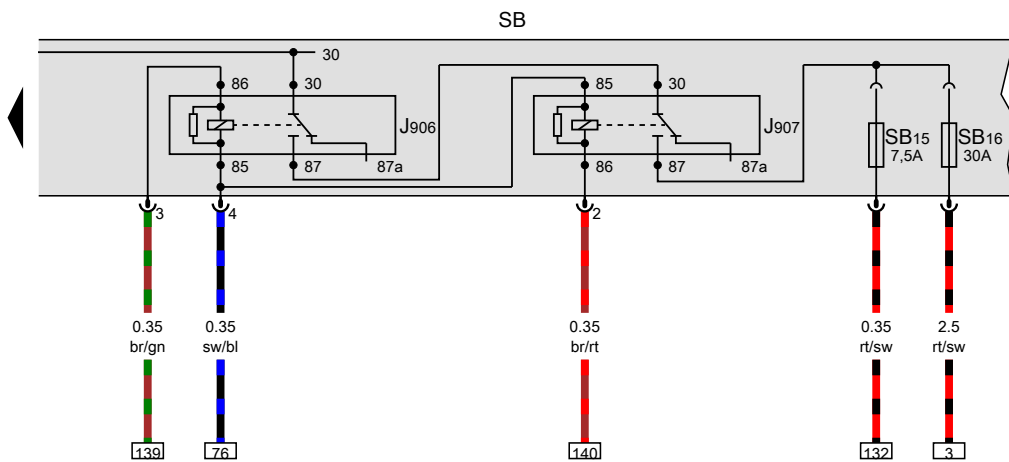
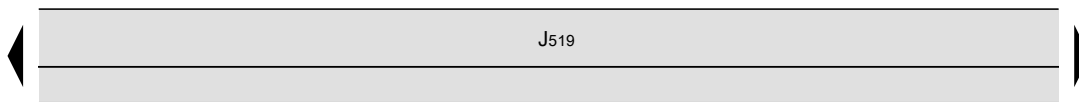
B353 Positive connection 4 (87a) in main wiring harness

* Only models with extended servicing intervals (ESI)

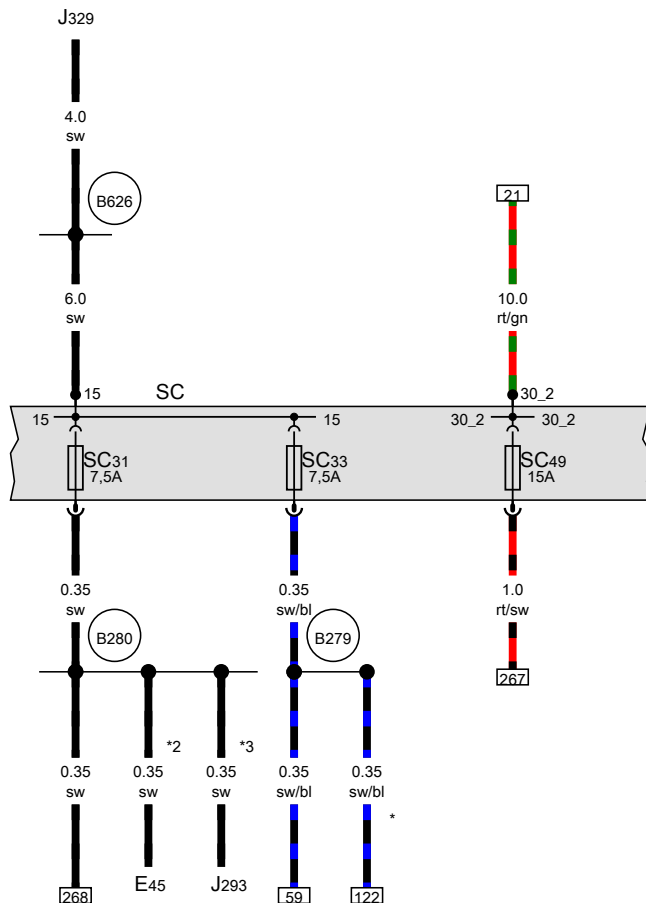
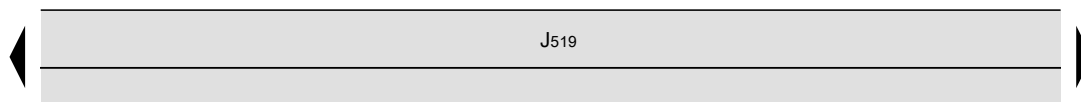
- ws = white
- sw = black
- ro = red
- rt = red
- br = brown
- gn = green
- bl = blue
- gr = grey
- li = purple
- vi = purple
- ge = yellow
- or = orange
- rs = pink

Starter relay 1, Starter relay 2, Fuse holder B

- J519 Onboard supply control unit
- J906 Starter relay 1
- J907 Starter relay 2
- SB Fuse holder B
- SB15 Fuse 15 on fuse holder B
- SB16 Fuse 16 on fuse holder B



- ws = white
- sw = black
- ro = red
- rt = red
- br = brown
- gn = green
- bl = blue
- gr = grey
- li = purple
- vi = purple
- ge = yellow
- or = orange
- rs = pink



Fuse holder C

- E45 Cruise control system switch
- J293 Radiator fan control unit
- J329 Terminal 15 voltage supply relay
- J519 Onboard supply control unit
- SC Fuse holder C
- SC31 Fuse 31 on fuse holder C
- SC33 Fuse 33 on fuse holder C
- SC49 Fuse 49 on fuse holder C

B279 Positive connection 3 (15a) in main wiring harness

B280 Positive connection 4 (15a) in main wiring harness

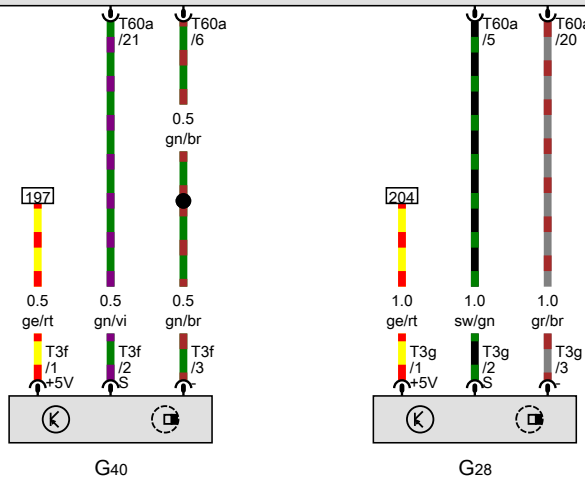
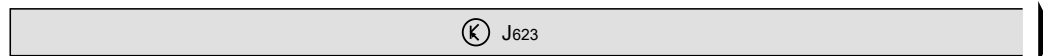
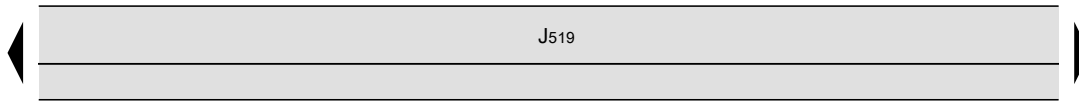
B626 Positive connection 2 (15), in main wiring harness

- * Only models with manual gearbox
- *2 Only models with cruise control system (CCS)
- *3 Only models with air conditioning system/ Climatronic

- ws = white
- sw = black
- ro = red
- rt = red
- br = brown
- gn = green
- bl = blue
- gr = grey
- li = purple
- vi = purple
- ge = yellow
- or = orange
- rs = pink

Engine speed sender, Hall sender, Engine control unit

- G28 Engine speed sender
- G40 Hall sender
- J519 Onboard supply control unit
- J623 Engine control unit
- T3f 3-pin connector
- T3g 3-pin connector
- T60a 60-pin connector



- ws = white
- sw = black
- ro = red
- rt = red
- br = brown
- gn = green
- bl = blue
- gr = grey
- li = purple
- vi = purple
- ge = yellow
- or = orange
- rs = pink

85 86 87 88 89 90 91 92 93 94 95 96 97 98

[NH0-075080516]

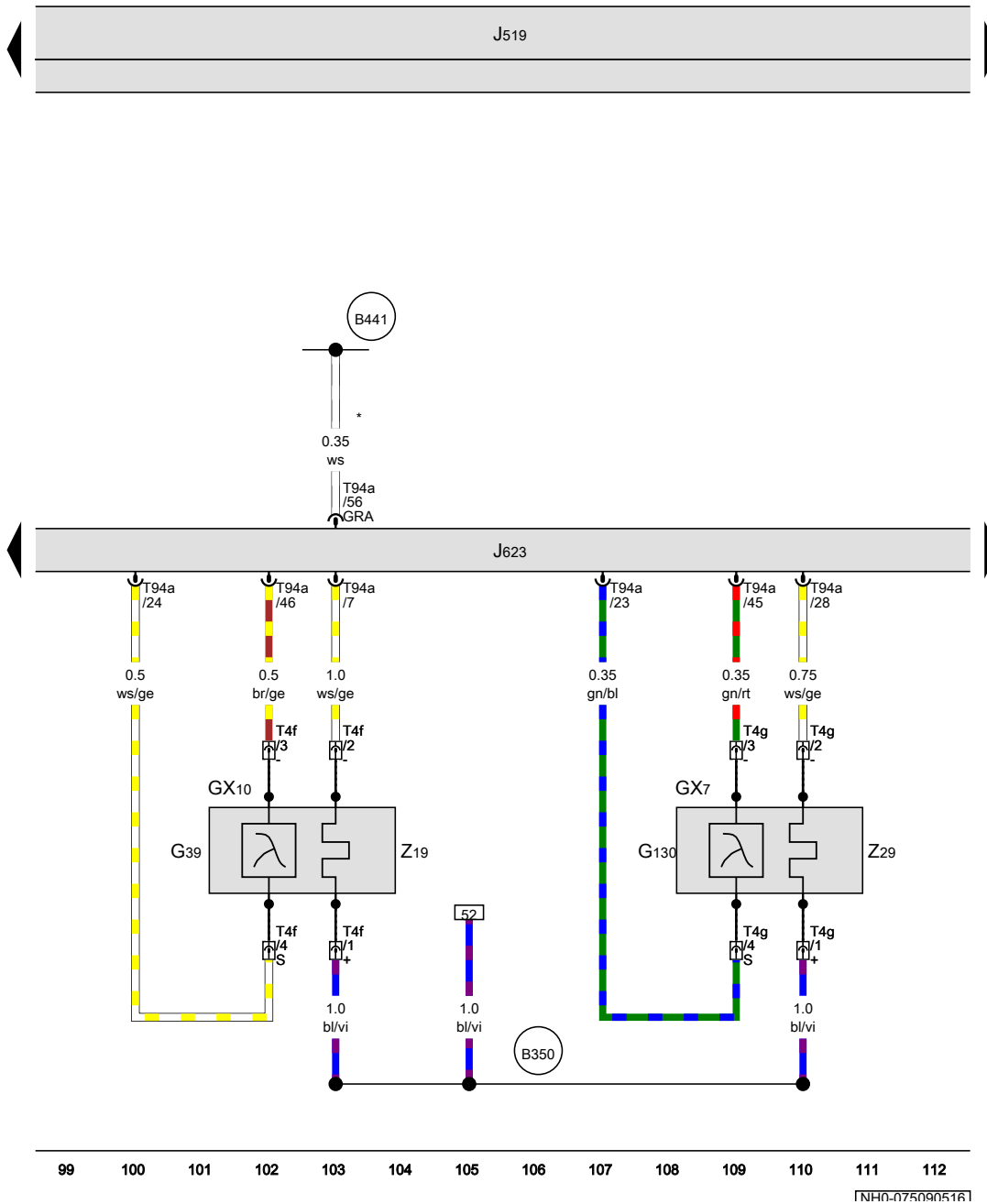
Lambda probe 1 after catalytic converter, Lambda probe 1 before catalytic converter, Engine control unit

- GX7 Lambda probe 1 after catalytic converter
- GX10 Lambda probe 1 before catalytic converter
- G39 Lambda probe
- G130 Lambda probe after catalytic converter
- J519 Onboard supply control unit
- J623 Engine control unit
- T4f 4-pin connector, brown
- T4g 4-pin connector, black
- T94a 94-pin connector
- Z19 Lambda probe heater
- Z29 Lambda probe 1 heater after catalytic converter

B350 Positive connection 1 (87a) in main wiring harness

B441 Connection (CCS), in main wiring harness

* Only models with cruise control system (CCS)



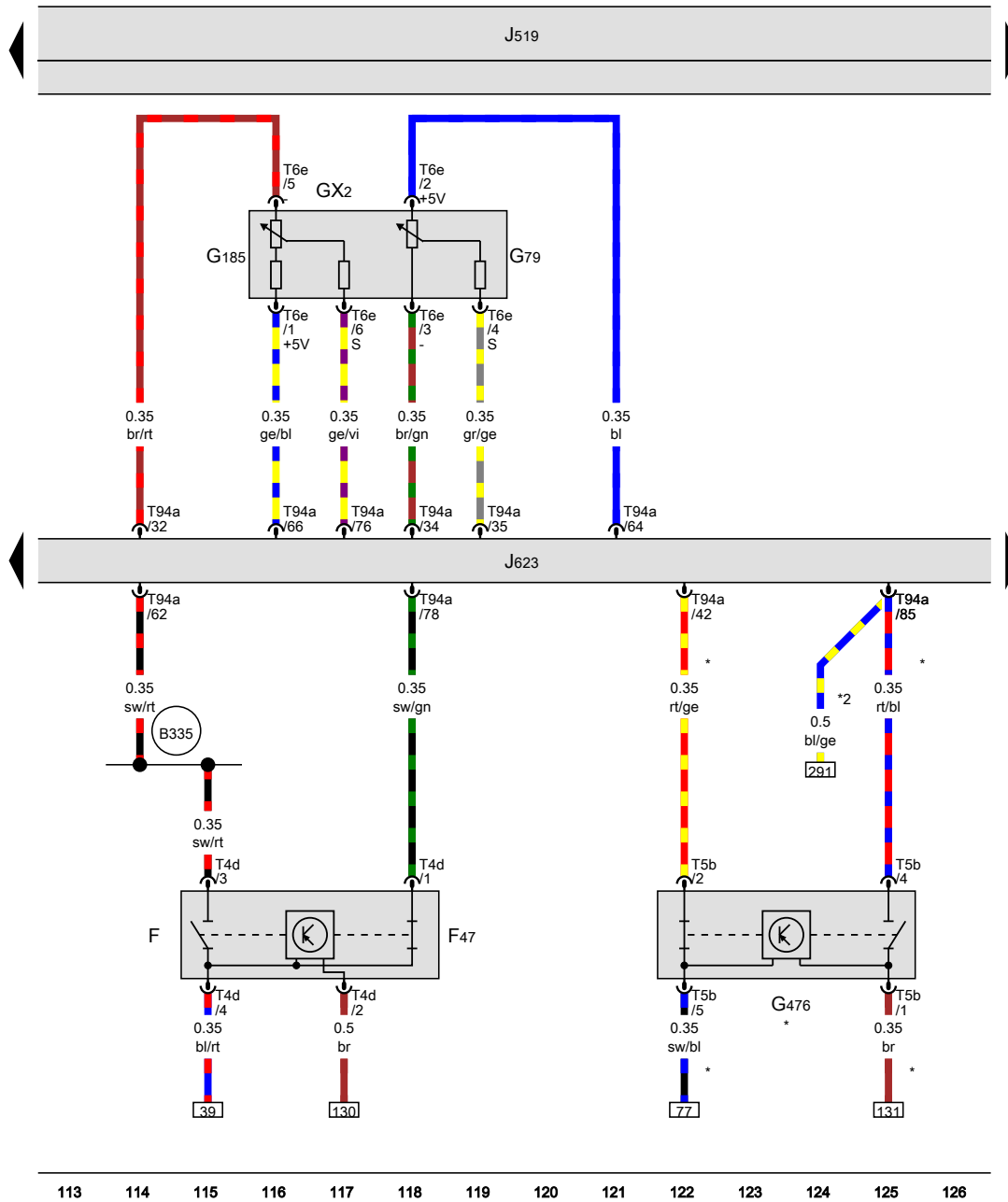
- ws = white
- sw = black
- ro = red
- rt = red
- br = brown
- gn = green
- bl = blue
- gr = grey
- li = purple
- vi = purple
- ge = yellow
- or = orange
- rs = pink

1NH0-0750905161

Brake pedal switch, Accelerator pedal module, Clutch position sender, Engine control unit

- F Brake light switch
- F47 Brake pedal switch
- GX2 Accelerator pedal module
- G79 Accelerator position sender
- G185 Accelerator position sender 2
- G476 Clutch position sender
- J519 Onboard supply control unit
- J623 Engine control unit
- T4d 4-pin connector
- T5b 5-pin connector
- T6e 6-pin connector
- T94a 94-pin connector
- B335 Connection 1 (54), in main wiring harness

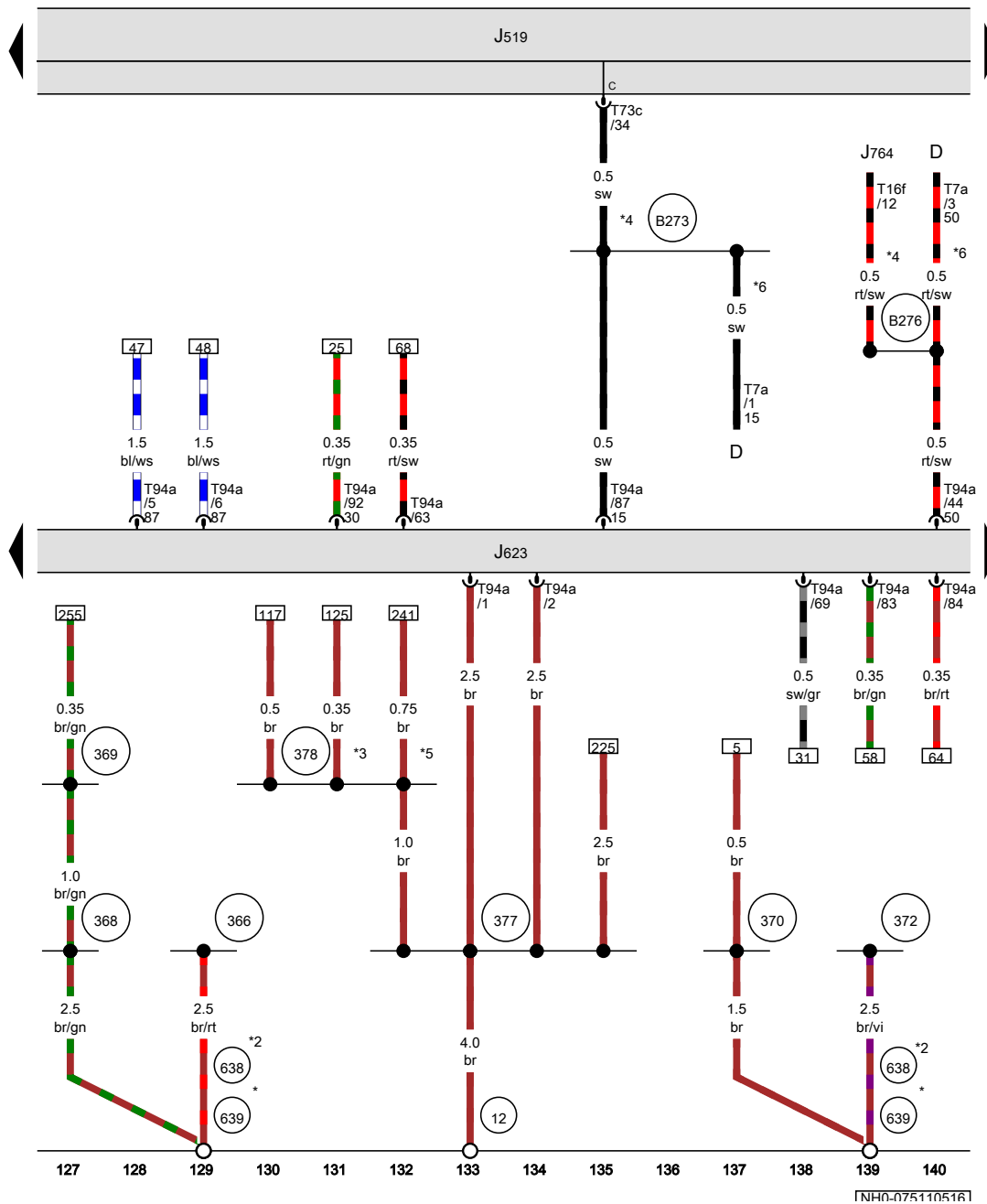
- * Only models with manual gearbox
- *2 Only models with automatic gearbox



- ws = white
- sw = black
- ro = red
- rt = red
- br = brown
- gn = green
- bl = blue
- gr = grey
- li = purple
- vi = purple
- ge = yellow
- or = orange
- rs = pink

113 114 115 116 117 118 119 120 121 122 123 124 125 126

[NH0-075100516]



[NH0-075110516]

Engine control unit

- D Ignition/starter switch
- J519 Onboard supply control unit
- J623 Engine control unit
- J764 Control unit for electronic steering column lock
- T7a 7-pin connector
- T16f 16-pin connector
- T73c 73-pin connector, black
- T94a 94-pin connector

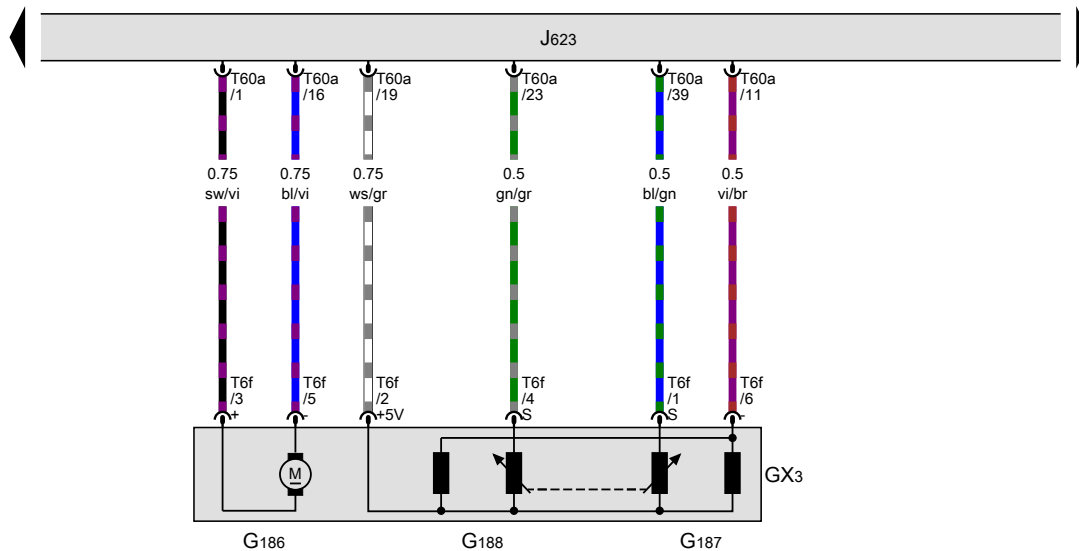
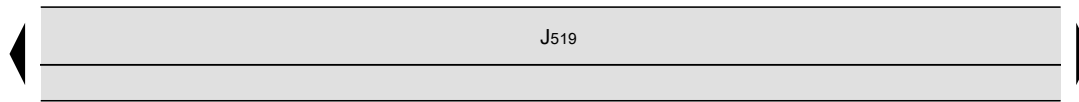
- 12 Earth point, on left in engine compartment
- 366 Earth connection 1, in main wiring harness
- 368 Earth connection 3, in main wiring harness
- 369 Earth connection 4, in main wiring harness
- 370 Earth connection 5, in main wiring harness
- 372 Earth connection 7, in main wiring harness
- 377 Earth connection 12, in main wiring harness
- 378 Earth connection 13, in main wiring harness
- 638 Earth point, on right A-pillar
- 639 Earth point, left A-pillar
- B273 Positive connection (15), in main wiring harness
- B276 Positive connection (50), in main wiring harness

- ws = white
- sw = black
- ro = red
- rt = red
- br = brown
- gn = green
- bl = blue
- gr = grey
- li = purple
- vi = purple
- ge = yellow
- or = orange
- rs = pink

- * Only left-hand drive models
- *2 Only right-hand drive models
- *3 Only models with manual gearbox
- *4 Only models with entry and start authorisation
- *5 Only models with extended servicing intervals (ESI)
- *6 Only models with no entry and start authorisation

Throttle valve module, Engine control unit

- GX3 Throttle valve module
- G186 Throttle valve drive for electric throttle
- G187 Throttle valve drive angle sender 1 for electric throttle
- G188 Throttle valve drive angle sender 2 for electric throttle
- J519 Onboard supply control unit
- J623 Engine control unit
- T6f 6-pin connector
- T60a 60-pin connector



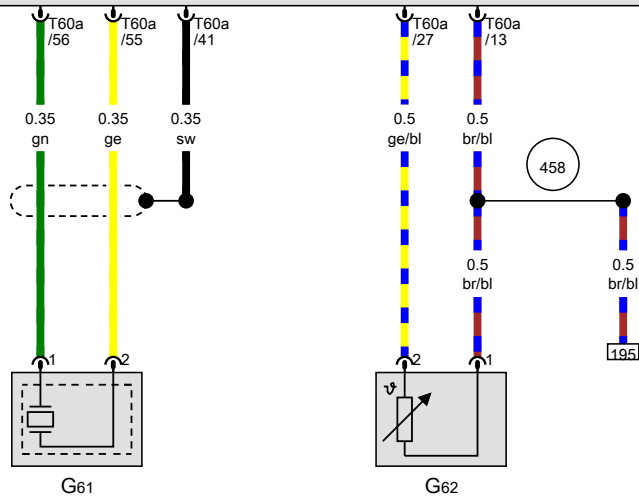
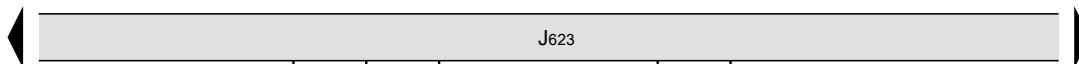
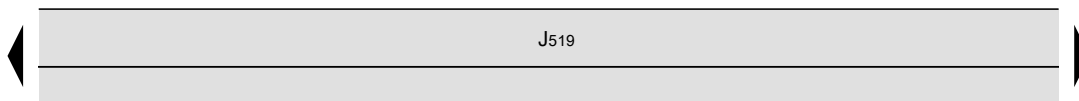
- ws = white
- sw = black
- ro = red
- rt = red
- br = brown
- gn = green
- bl = blue
- gr = grey
- li = purple
- vi = purple
- ge = yellow
- or = orange
- rs = pink

141 142 143 144 145 146 147 148 149 150 151 152 153 154

[NH0-075120516]

Knock sensor 1, Coolant temperature sender, Engine control unit

- G61 Knock sensor 1
- G62 Coolant temperature sender
- J519 Onboard supply control unit
- J623 Engine control unit
- T60a 60-pin connector
- 458 Earth point 3, engine prewiring harness



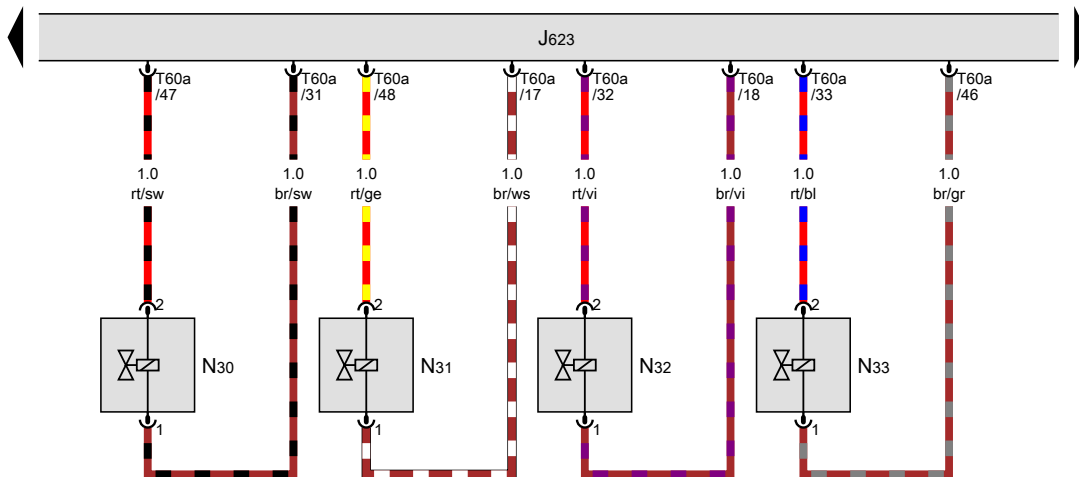
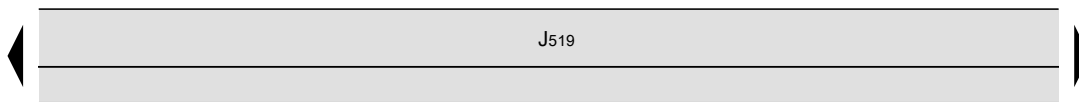
- ws = white
- sw = black
- ro = red
- rt = red
- br = brown
- gn = green
- bl = blue
- gr = grey
- li = purple
- vi = purple
- ge = yellow
- or = orange
- rs = pink

155 156 157 158 159 160 161 162 163 164 165 166 167 168

[NH0-075130516]

Engine control unit, Injector, cylinder 1, Injector, cylinder 2, Injector, cylinder 3, Injector, cylinder 4

- J519 Onboard supply control unit
- J623 Engine control unit
- N30 Injector, cylinder 1
- N31 Injector, cylinder 2
- N32 Injector, cylinder 3
- N33 Injector, cylinder 4
- T60a 60-pin connector



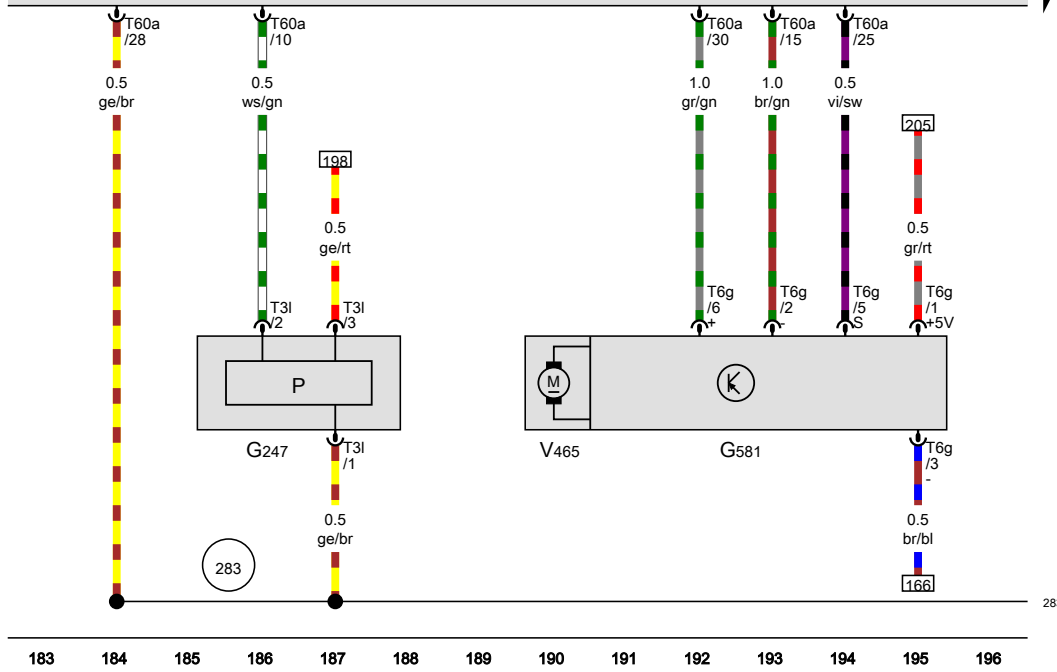
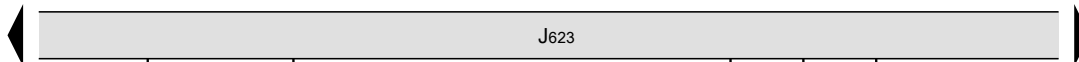
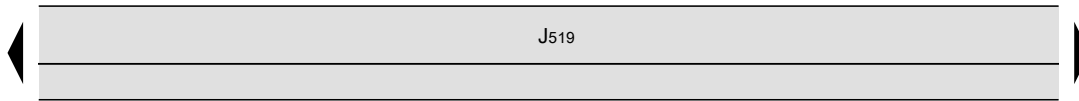
- ws = white
- sw = black
- ro = red
- rt = red
- br = brown
- gn = green
- bl = blue
- gr = grey
- li = purple
- vi = purple
- ge = yellow
- or = orange
- rs = pink

169 170 171 172 173 174 175 176 177 178 179 180 181 182

[NH0-075140516]

Fuel pressure sender, Position sender for charge pressure positioner, Engine control unit, Charge pressure positioner

- G247 Fuel pressure sender
- G581 Position sender for charge pressure positioner
- J519 Onboard supply control unit
- J623 Engine control unit
- T3I 3-pin connector
- T6g 6-pin connector
- T60a 60-pin connector
- V465 Charge pressure positioner
- 283 Earth point 2, engine prewiring harness



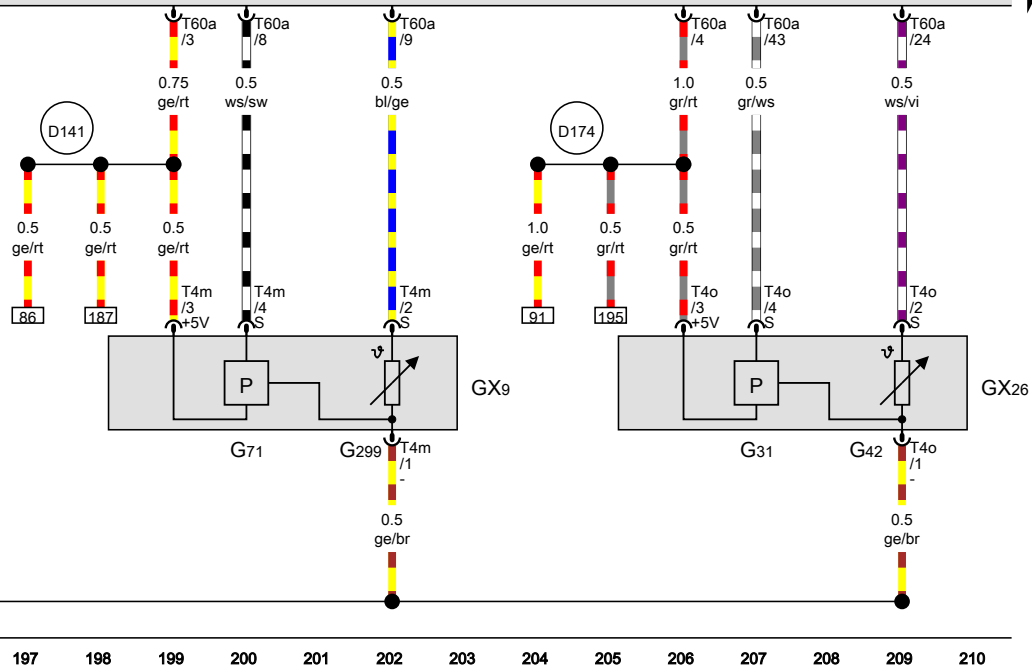
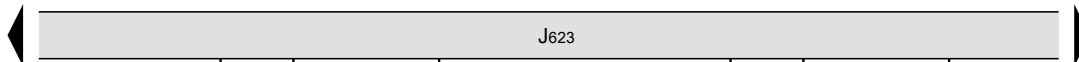
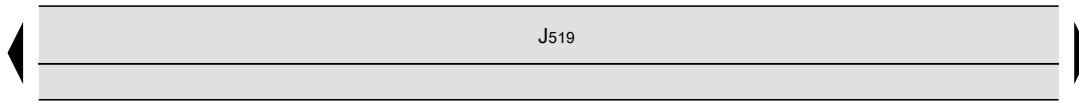
- ws = white
- sw = black
- ro = red
- rt = red
- br = brown
- gn = green
- bl = blue
- gr = grey
- li = purple
- vi = purple
- ge = yellow
- or = orange
- rs = pink

[NH0-075150516]

Intake manifold sender, Charge pressure sender, Engine control unit

- GX9 Intake manifold sender
- GX26 Charge pressure sender
- G31 Charge pressure sender
- G42 Intake air temperature sender
- G71 Intake manifold pressure sender
- G299 Intake air temperature sender 2
- J519 Onboard supply control unit
- J623 Engine control unit
- T4m 4-pin connector
- T4o 4-pin connector
- T60a 60-pin connector

- 283 Earth point 2, engine prewiring harness
- D141 Connection (5V) in engine prewiring harness
- D174 Connection 2 (5V) in engine prewiring harness



- ws = white
- sw = black
- ro = red
- rt = red
- br = brown
- gn = green
- bl = blue
- gr = grey
- li = purple
- vi = purple
- ge = yellow
- or = orange
- rs = pink

283

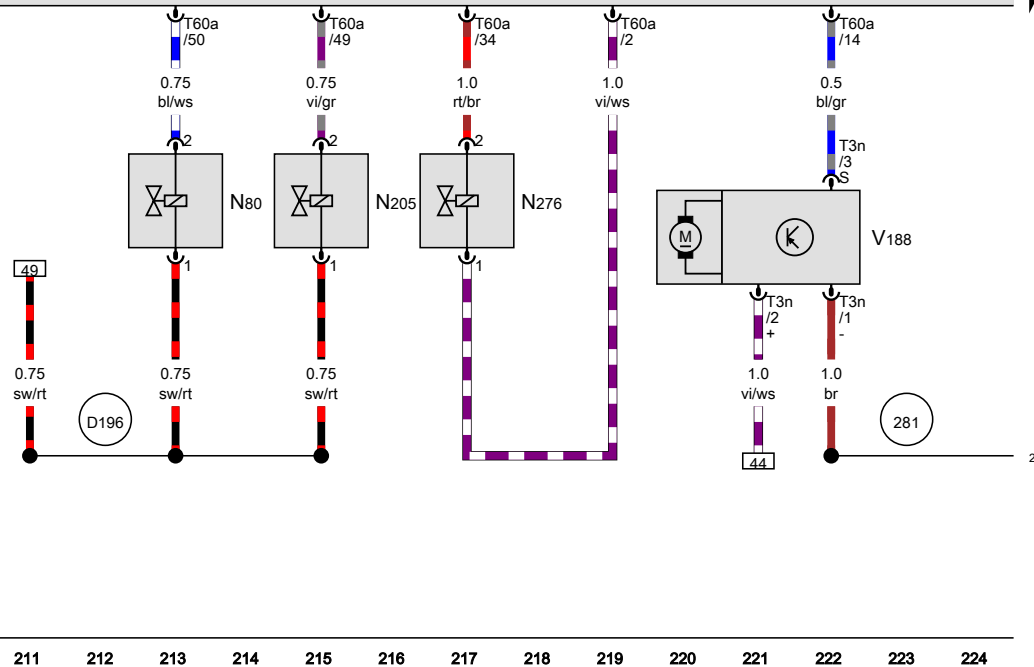
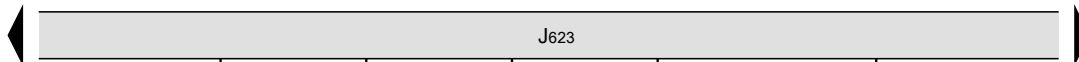
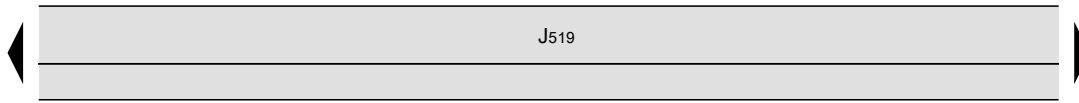
[NH0-075160516]

Engine control unit, Activated charcoal filter solenoid valve 1, Camshaft control valve 1, Fuel pressure regulating valve, Charge air cooling pump

- J519 Onboard supply control unit
- J623 Engine control unit
- N80 Activated charcoal filter solenoid valve 1
- N205 Camshaft control valve 1
- N276 Fuel pressure regulating valve
- T3n 3-pin connector
- T60a 60-pin connector
- V188 Charge air cooling pump

281 Earth point 1, engine prewiring harness

D196 Connection 2 (87a) in engine prewiring harness



- ws = white
- sw = black
- ro = red
- rt = red
- br = brown
- gn = green
- bl = blue
- gr = grey
- li = purple
- vi = purple
- ge = yellow
- or = orange
- rs = pink

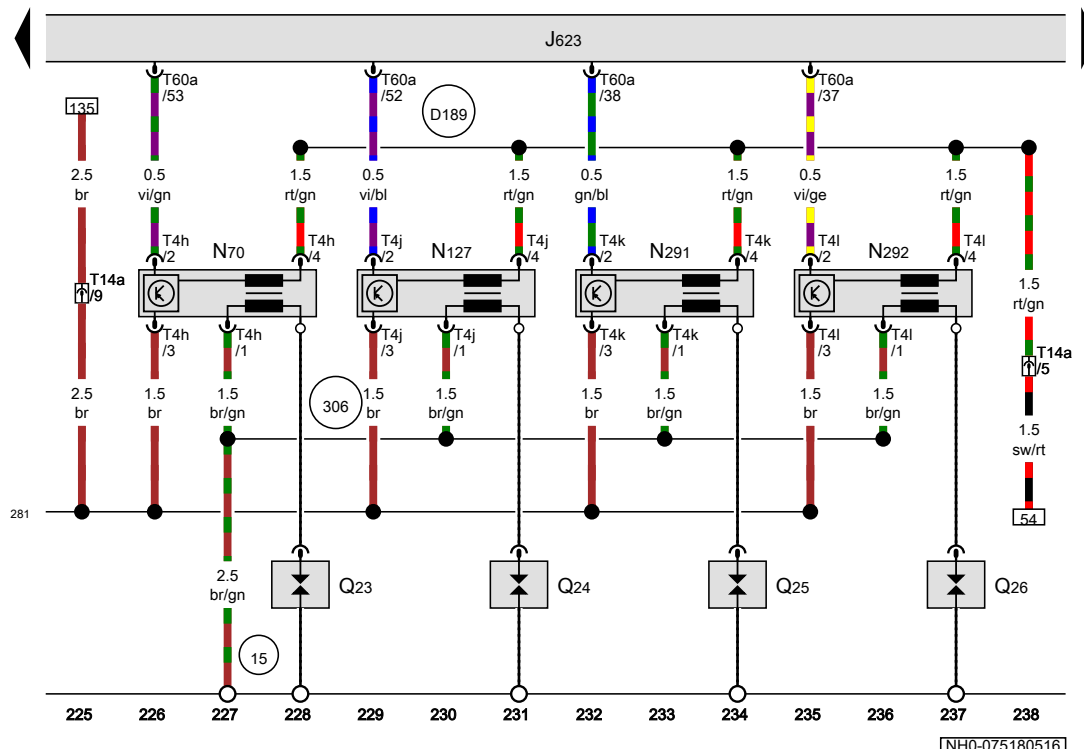
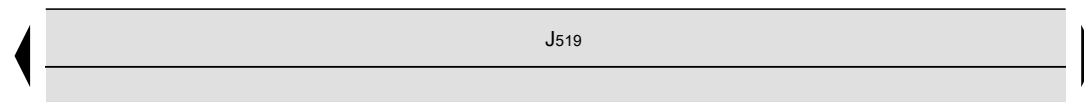
211 212 213 214 215 216 217 218 219 220 221 222 223 224

[NH0-075170516]

Engine control unit, Ignition coil 1 with output stage, Ignition coil 2 with output stage, Ignition coil 3 with output stage, Ignition coil 4 with output stage

- J519 Onboard supply control unit
- J623 Engine control unit
- N70 Ignition coil 1 with output stage
- N127 Ignition coil 2 with output stage
- N291 Ignition coil 3 with output stage
- N292 Ignition coil 4 with output stage
- Q23 Spark plug 1
- Q24 Spark plug 2
- Q25 Spark plug 3
- Q26 Spark plug 4
- T4h 4-pin connector
- T4j 4-pin connector
- T4k 4-pin connector
- T4l 4-pin connector
- T14a 14-pin connector, front left in engine compartment
- T60a 60-pin connector

- 15 Earth point, on cylinder head
- 281 Earth point 1, engine prewiring harness
- 306 Earth connection (ignition coils), in engine prewiring harness
- D189 Connection (87a) in engine prewiring harness

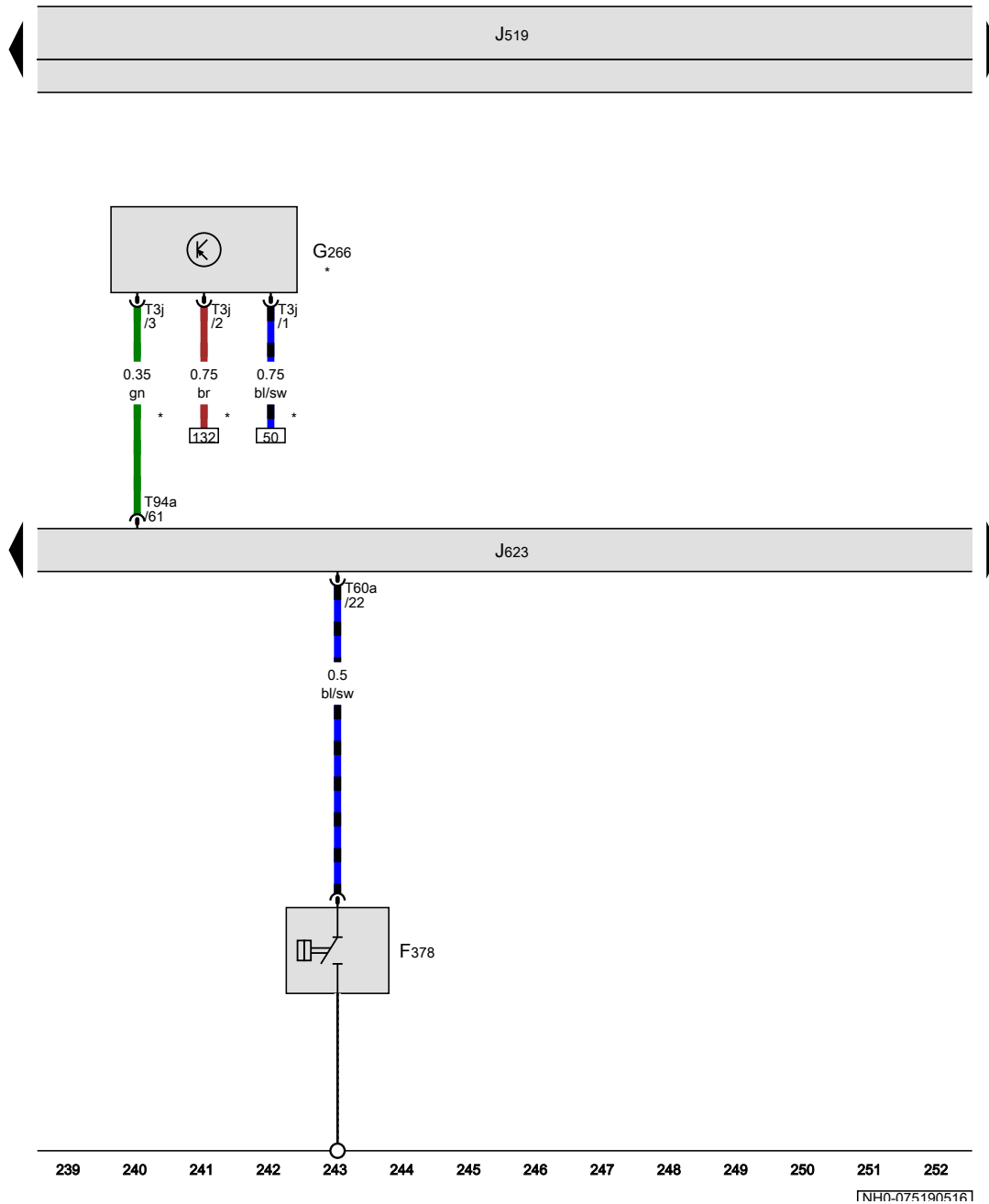


- ws = white
- sw = black
- ro = red
- rt = red
- br = brown
- gn = green
- bl = blue
- gr = grey
- li = purple
- vi = purple
- ge = yellow
- or = orange
- rs = pink

[NHN-075180516]

Oil pressure switch for reduced oil pressure, Oil level and oil temperature sender, Engine control unit

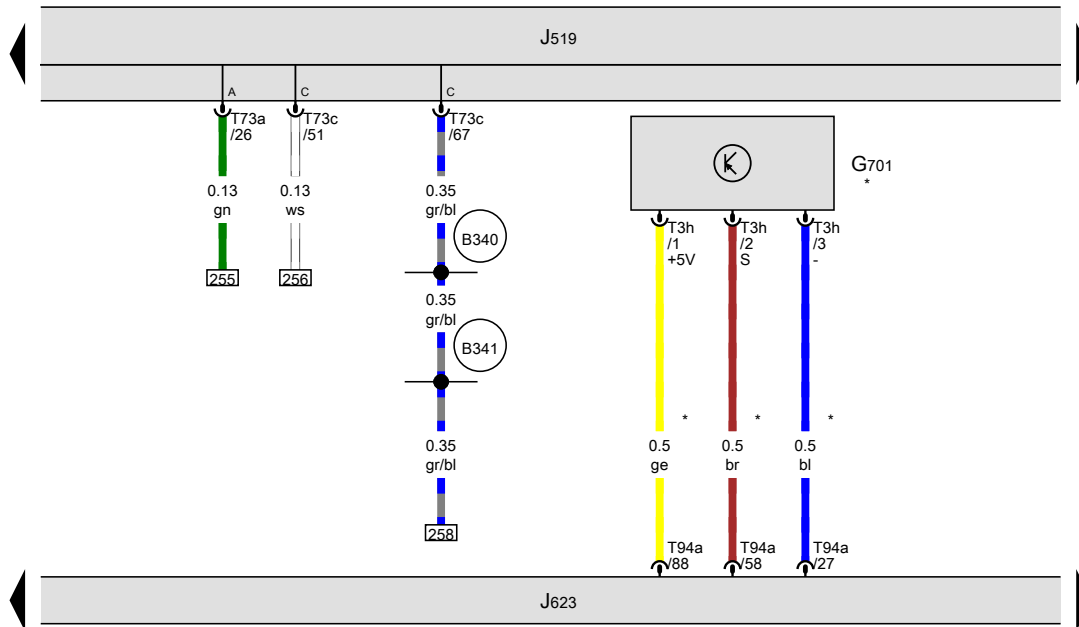
- F378 Oil pressure switch for reduced oil pressure
- G266 Oil level and oil temperature sender
- J519 Onboard supply control unit
- J623 Engine control unit
- T3j 3-pin connector
- T60a 60-pin connector
- T94a 94-pin connector
- * Only models with extended servicing intervals (ESI)



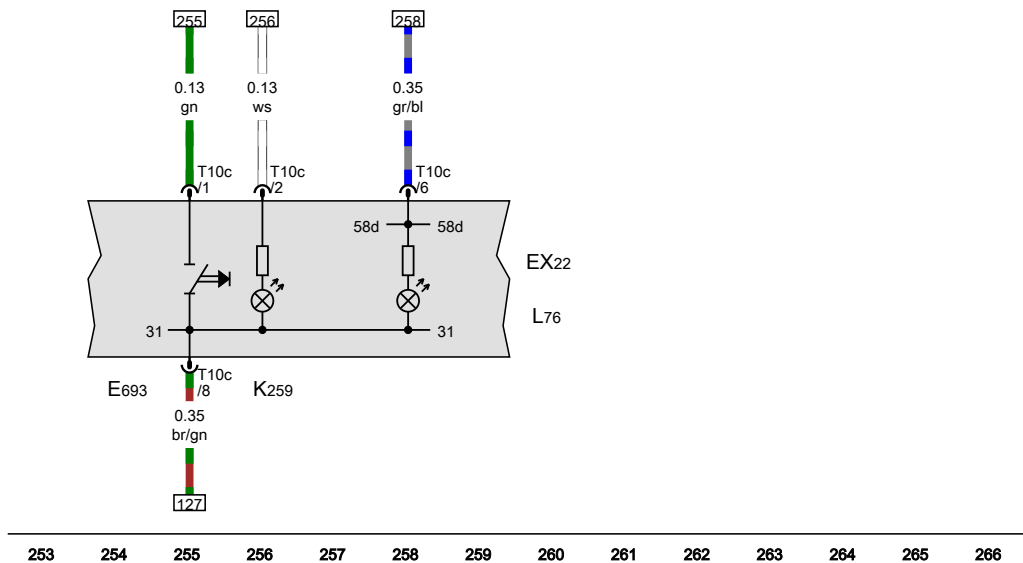
- ws = white
- sw = black
- ro = red
- rt = red
- br = brown
- gn = green
- bl = blue
- gr = grey
- li = purple
- vi = purple
- ge = yellow
- or = orange
- rs = pink

[NH0-075190516]

Centre switch module in dash panel, Start/Stop operation button, Gearbox neutral position sender, Engine control unit



- EX22 Centre switch module in dash panel
 - E693 Start/Stop operation button
 - G701 Gearbox neutral position sender
 - J519 Onboard supply control unit
 - J623 Engine control unit
 - K259 Start/Stop operation warning lamp
 - L76 Button illumination bulb
 - T3h 3-pin connector
 - T10c 10-pin connector, black
 - T73a 73-pin connector, black
 - T73c 73-pin connector, black
 - T94a 94-pin connector
- B340 Connection 1 (58d), in main wiring harness
B341 Connection 2 (58d), in main wiring harness
 * Only models with manual gearbox



- ws = white
- sw = black
- ro = red
- rt = red
- br = brown
- gn = green
- bl = blue
- gr = grey
- li = purple
- vi = purple
- ge = yellow
- or = orange
- rs = pink

253 254 255 256 257 258 259 260 261 262 263 264 265 266

[NH0-075200516]

Fuel delivery unit, Fuel pump control unit, Engine control unit

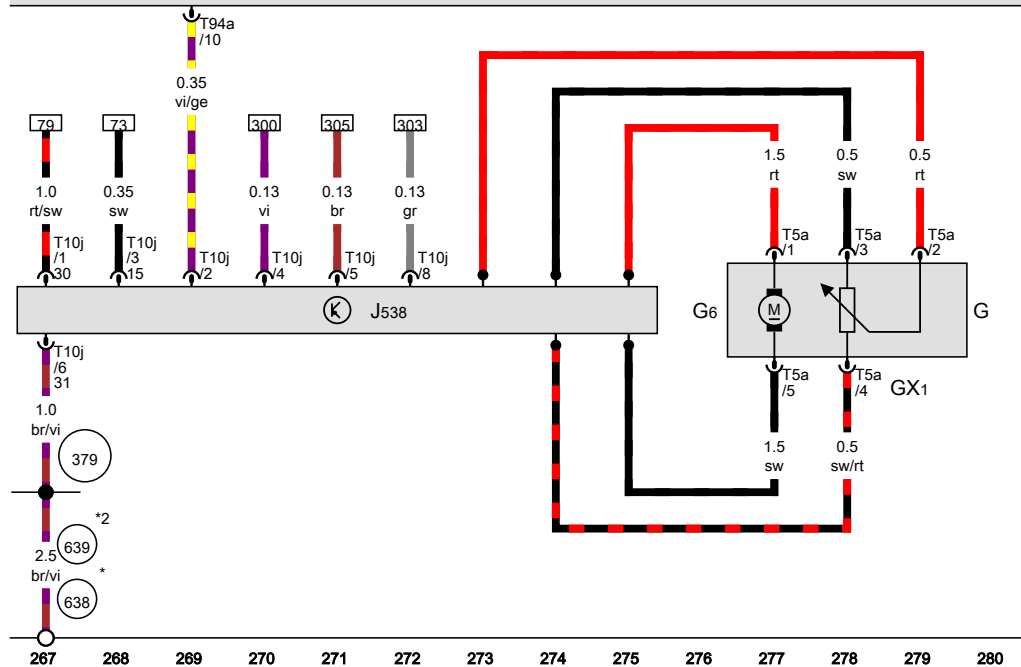
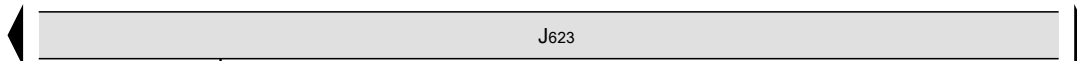
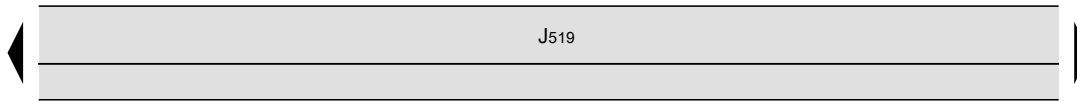
- G Fuel gauge sender
- GX1 Fuel delivery unit
- G6 Fuel system pressurisation pump
- J519 Onboard supply control unit
- J538 Fuel pump control unit
- J623 Engine control unit
- T5a 5-pin connector
- T10j 10-pin connector
- T94a 94-pin connector

379 Earth connection 14, in main wiring harness

638 Earth point, on right A-pillar

639 Earth point, left A-pillar

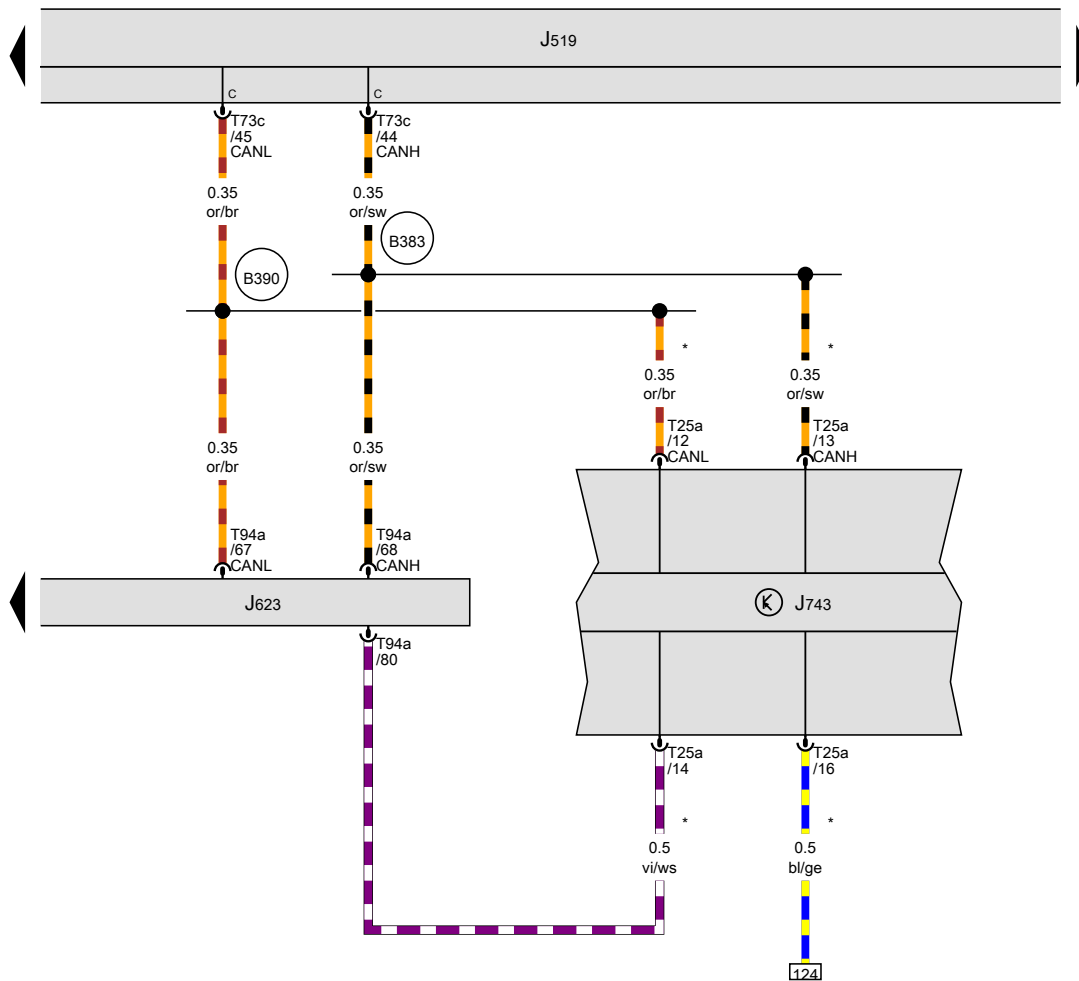
- * Only left-hand drive models
- *2 Only right-hand drive models



- ws = white
- sw = black
- ro = red
- rt = red
- br = brown
- gn = green
- bl = blue
- gr = grey
- li = purple
- vi = purple
- ge = yellow
- or = orange
- rs = pink

[NH0-075210516]

Engine control unit, Mechatronic unit for dual clutch gearbox



- J519 Onboard supply control unit
- J623 Engine control unit
- J743 Mechatronic unit for dual clutch gearbox
- T25a 25-pin connector
- T73c 73-pin connector, black
- T94a 94-pin connector

B383 Connection 1 (powertrain CAN bus, high), in main wiring harness

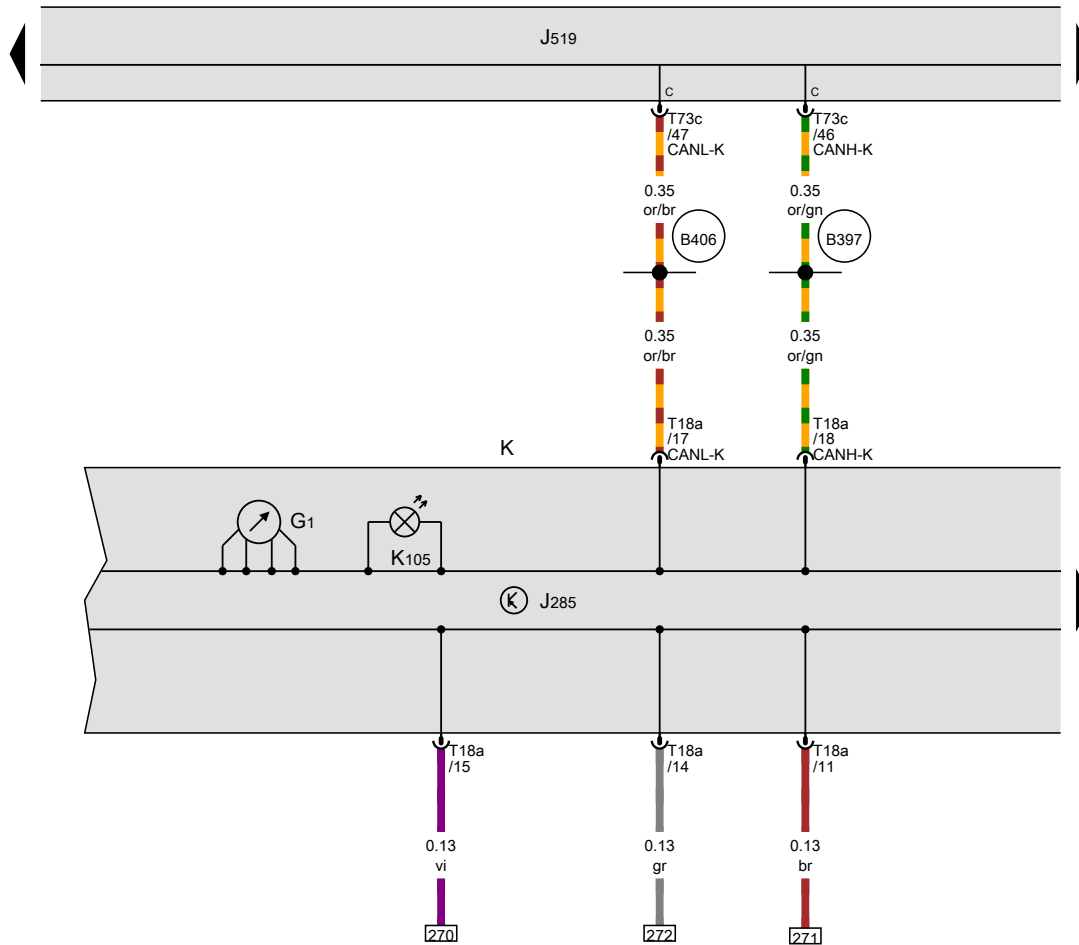
B390 Connection 1 (powertrain CAN bus, low), in main wiring harness

* Only models with automatic gearbox

- ws = white
- sw = black
- ro = red
- rt = red
- br = brown
- gn = green
- bl = blue
- gr = grey
- li = purple
- vi = purple
- ge = yellow
- or = orange
- rs = pink

Fuel gauge, Dash panel insert

- G1 Fuel gauge
- J285 Control unit in dash panel insert
- J519 Onboard supply control unit
- K Dash panel insert
- K105 Reserve fuel warning lamp
- T18a 18-pin connector
- T73c 73-pin connector, black
- B397** Connection 1 (convenience CAN bus, high), in main wiring harness
- B406** Connection 1 (convenience CAN bus, low), in main wiring harness



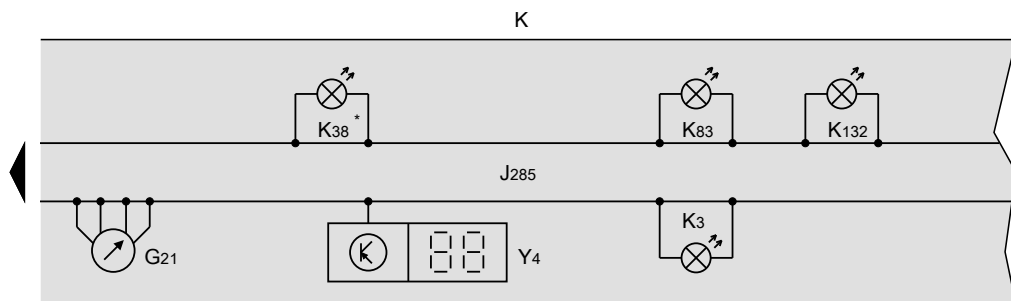
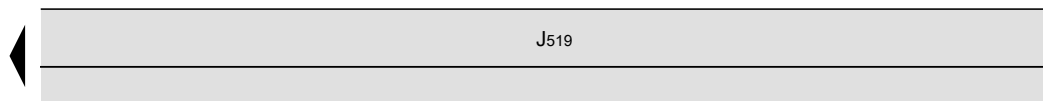
- ws = white
- sw = black
- ro = red
- rt = red
- br = brown
- gn = green
- bl = blue
- gr = grey
- li = purple
- vi = purple
- ge = yellow
- or = orange
- rs = pink

295 296 297 298 299 300 301 302 303 304 305 306 307 308

[NH0-075230516]

Speedometer, Dash panel insert, Trip counter

- G21 Speedometer
- J285 Control unit in dash panel insert
- J519 Onboard supply control unit
- K Dash panel insert
- K3 Oil pressure warning lamp
- K38 Oil level warning lamp
- K83 Exhaust emissions warning lamp
- K132 Electronic power control fault lamp
- Y4 Trip counter
- * Only models with extended servicing intervals (ESI)



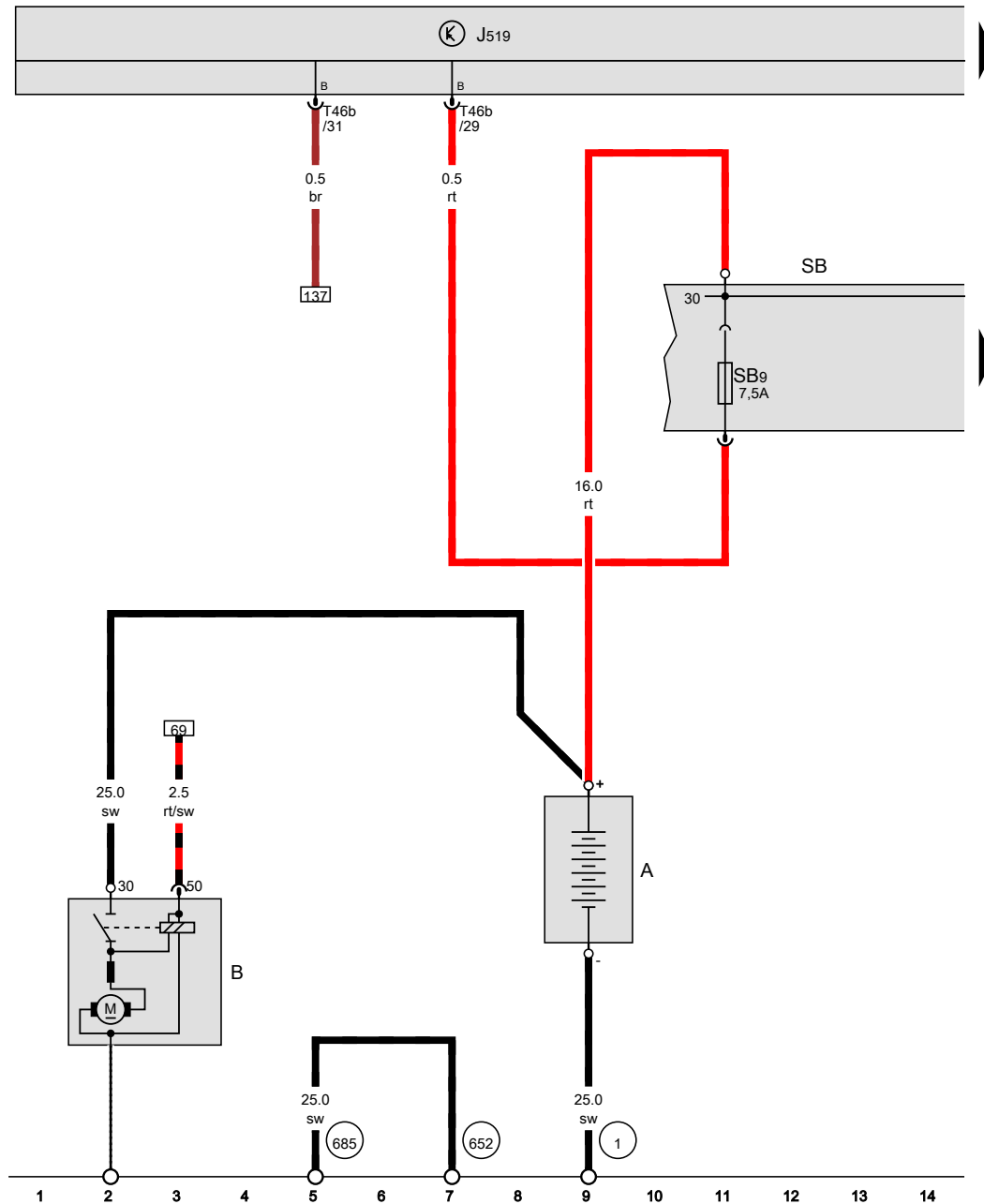
309 310 311 312 313 314 315 316 317 318 319 320 321 322

[NH0-075240516]

- ws = white
- sw = black
- ro = red
- rt = red
- br = brown
- gn = green
- bl = blue
- gr = grey
- li = purple
- vi = purple
- ge = yellow
- or = orange
- rs = pink

1.4l petrol engine , CZCA,(7L3)

From November 2015



Battery, Starter, Fuse holder B

- A Battery
- B Starter
- J519 Onboard supply control unit
- SB Fuse holder B
- SB9 Fuse 9 on fuse holder B
- T46b 46-pin connector, brown
- 1 Earth strap, battery - body
- 652 Earth point, engine and gearbox earth
- 685 Earth point 1 at front of right longitudinal member

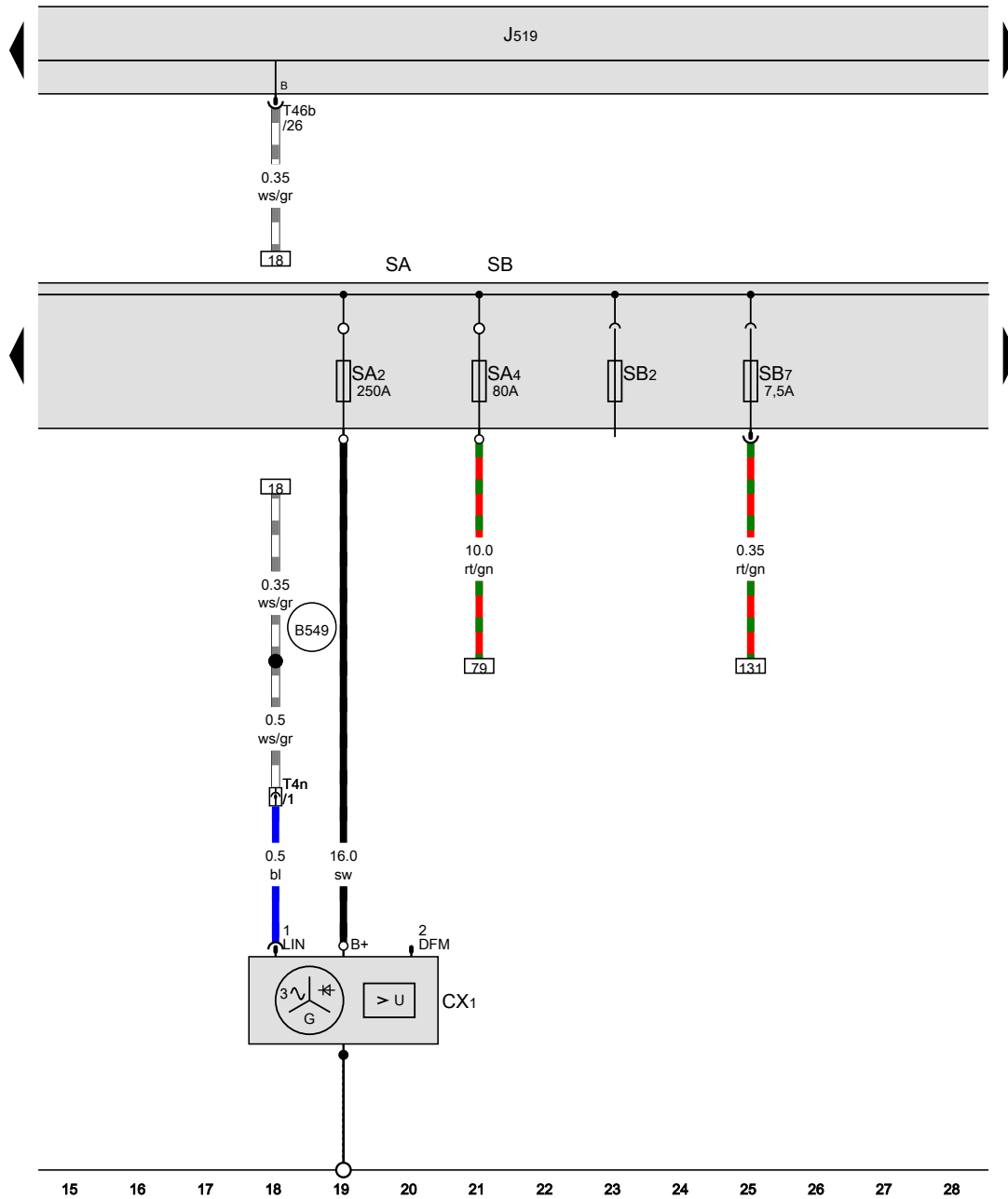
- ws = white
- sw = black
- ro = red
- rt = red
- br = brown
- gn = green
- bl = blue
- gr = grey
- li = purple
- vi = purple
- ge = yellow
- or = orange
- rs = pink

[NH0-076020516]

Alternator with voltage regulator, Fuse holder A, Fuse holder B

- CX1 Alternator with voltage regulator
- J519 Onboard supply control unit
- SA Fuse holder A
- SA2 Fuse 2 in fuse holder A
- SB2 Fuse 2 on fuse holder B
- SA4 Fuse 4 in fuse holder A
- SB Fuse holder B
- SB7 Fuse 7 on fuse holder B
- T4n 4-pin connector, front left in engine compartment
- T46b 46-pin connector, brown

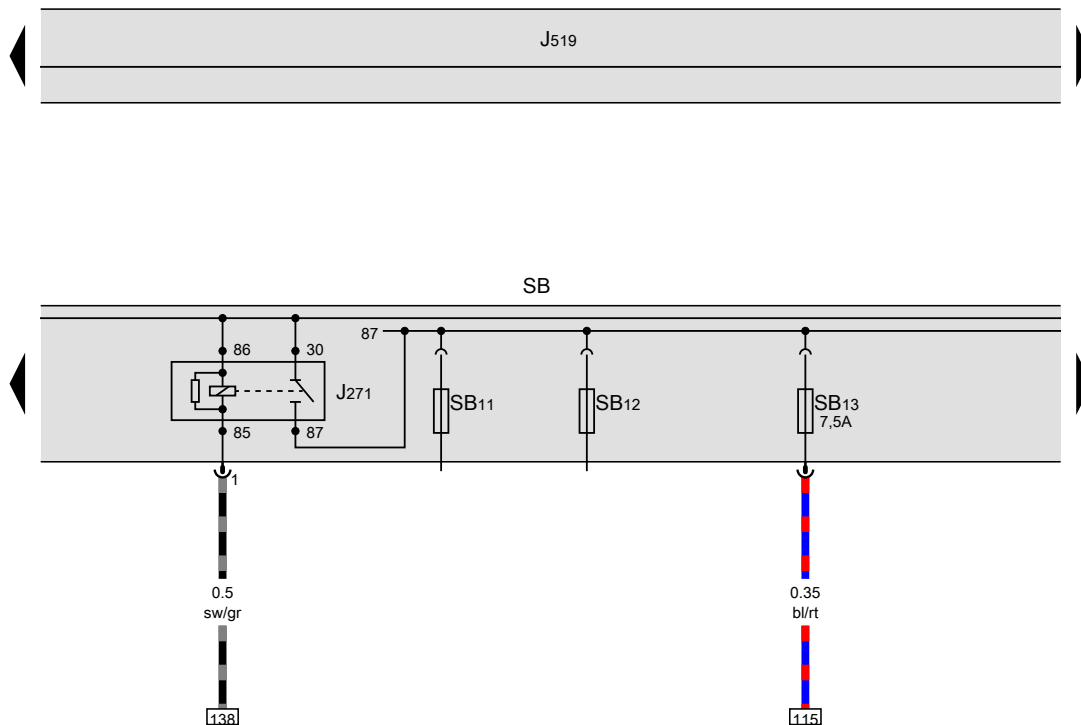
B549 Connection 2 (LIN bus) in main wiring harness



- ws = white
- sw = black
- ro = red
- rt = red
- br = brown
- gn = green
- bl = blue
- gr = grey
- li = purple
- vi = purple
- ge = yellow
- or = orange
- rs = pink

Main relay, Fuse holder B

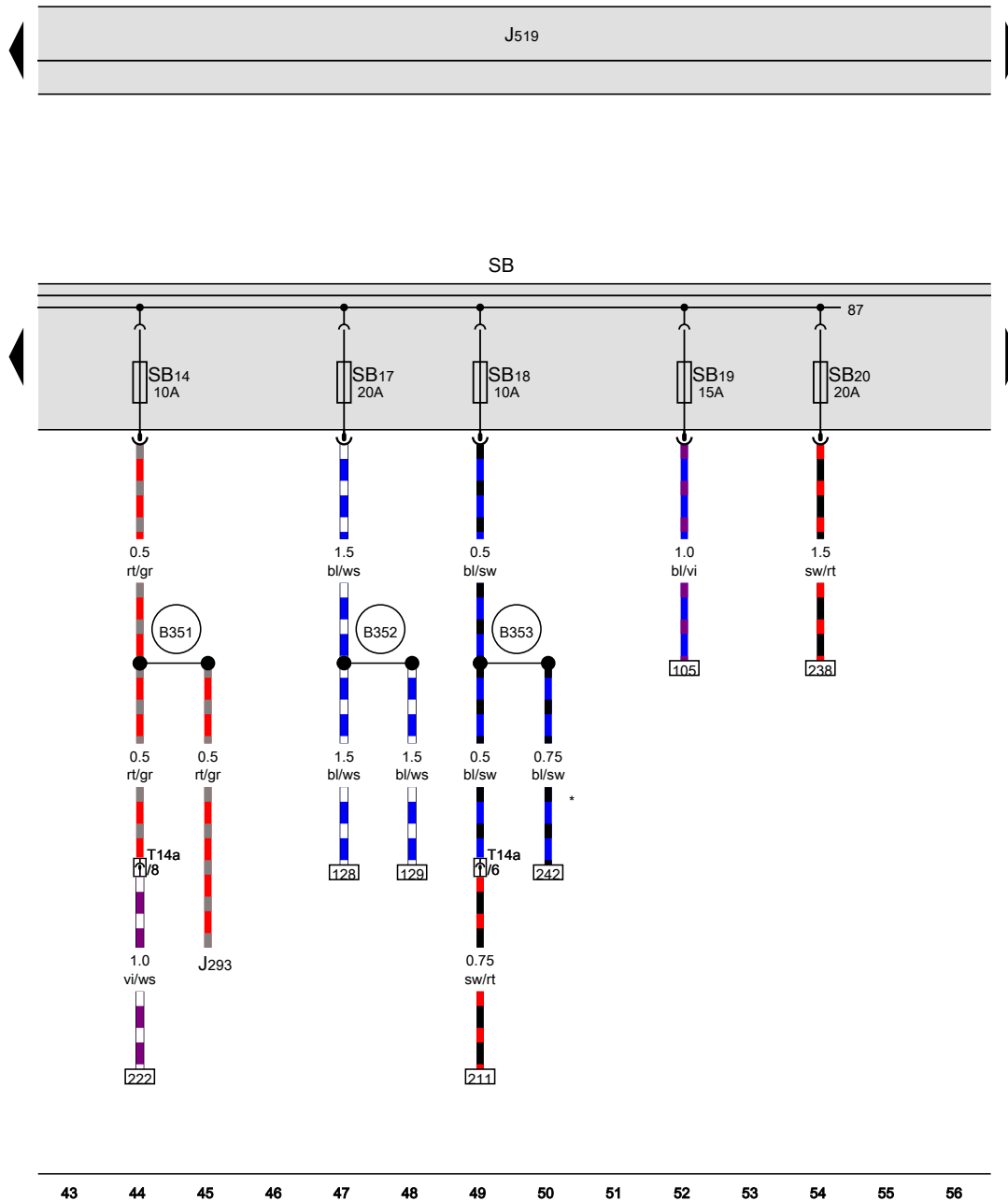
- J271 Main relay
- J519 Onboard supply control unit
- SB Fuse holder B
- SB11 Fuse 11 on fuse holder B
- SB12 Fuse 12 on fuse holder B
- SB13 Fuse 13 on fuse holder B



- ws = white
- sw = black
- ro = red
- rt = red
- br = brown
- gn = green
- bl = blue
- gr = grey
- li = purple
- vi = purple
- ge = yellow
- or = orange
- rs = pink

29 30 31 32 33 34 35 36 37 38 39 40 41 42

[NH0-076040516]



Fuse holder B

- J293 Radiator fan control unit
- J519 Onboard supply control unit
- SB Fuse holder B
- SB14 Fuse 14 on fuse holder B
- SB17 Fuse 17 on fuse holder B
- SB18 Fuse 18 on fuse holder B
- SB19 Fuse 19 on fuse holder B
- SB20 Fuse 20 on fuse holder B
- T14a 14-pin connector, front left in engine compartment

B351 Positive connection 2 (87a) in main wiring harness

B352 Positive connection 3 (87a) in main wiring harness

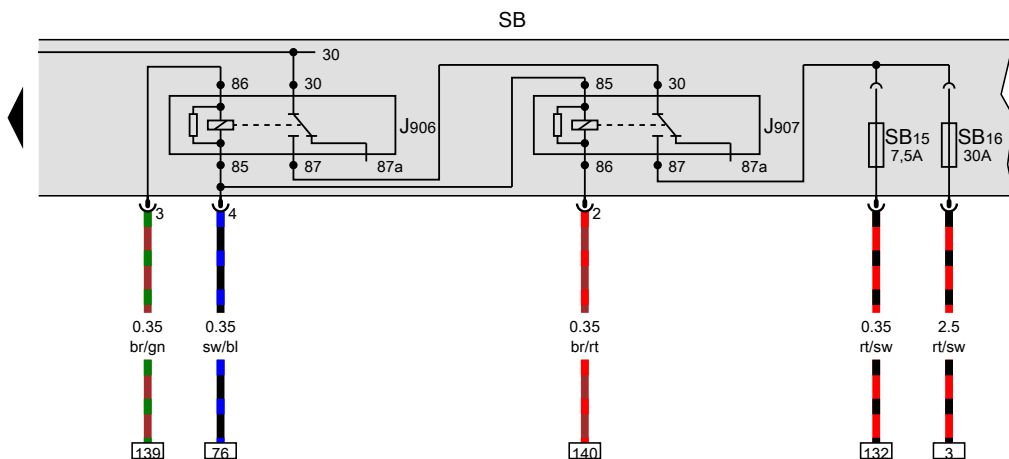
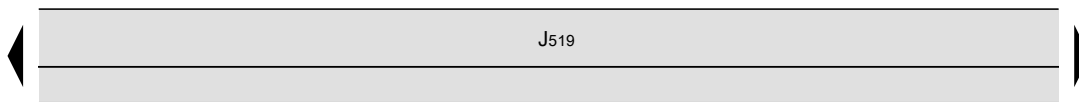
B353 Positive connection 4 (87a) in main wiring harness

* Only models with extended servicing intervals (ESI)

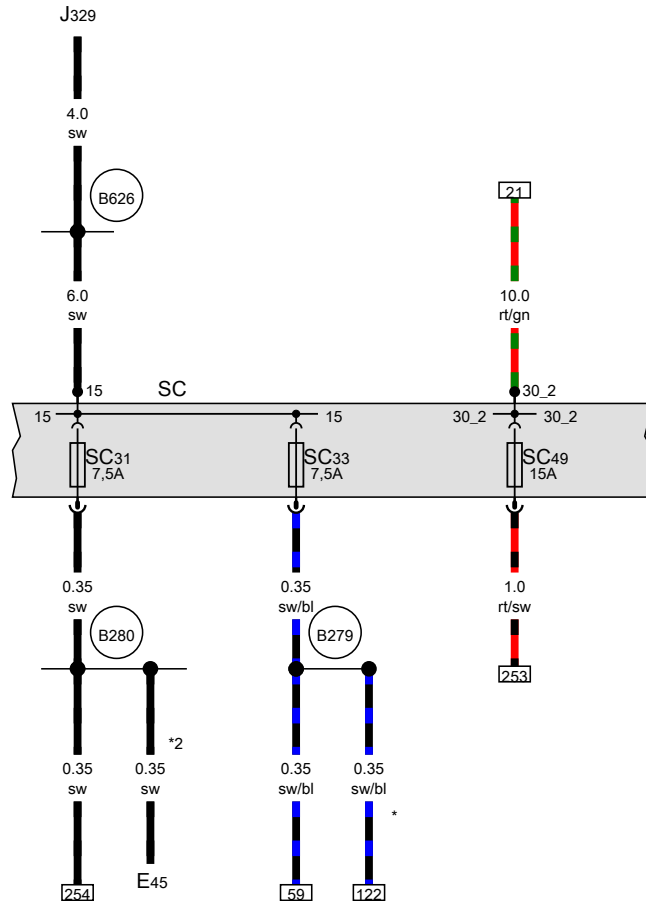
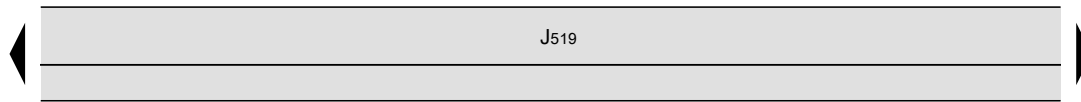
- ws = white
- sw = black
- ro = red
- rt = red
- br = brown
- gn = green
- bl = blue
- gr = grey
- li = purple
- vi = purple
- ge = yellow
- or = orange
- rs = pink

Starter relay 1, Starter relay 2, Fuse holder B

- J519 Onboard supply control unit
- J906 Starter relay 1
- J907 Starter relay 2
- SB Fuse holder B
- SB15 Fuse 15 on fuse holder B
- SB16 Fuse 16 on fuse holder B



- ws = white
- sw = black
- ro = red
- rt = red
- br = brown
- gn = green
- bl = blue
- gr = grey
- li = purple
- vi = purple
- ge = yellow
- or = orange
- rs = pink



Fuse holder C

- E45 Cruise control system switch
- J329 Terminal 15 voltage supply relay
- J519 Onboard supply control unit
- SC Fuse holder C
- SC31 Fuse 31 on fuse holder C
- SC33 Fuse 33 on fuse holder C
- SC49 Fuse 49 on fuse holder C

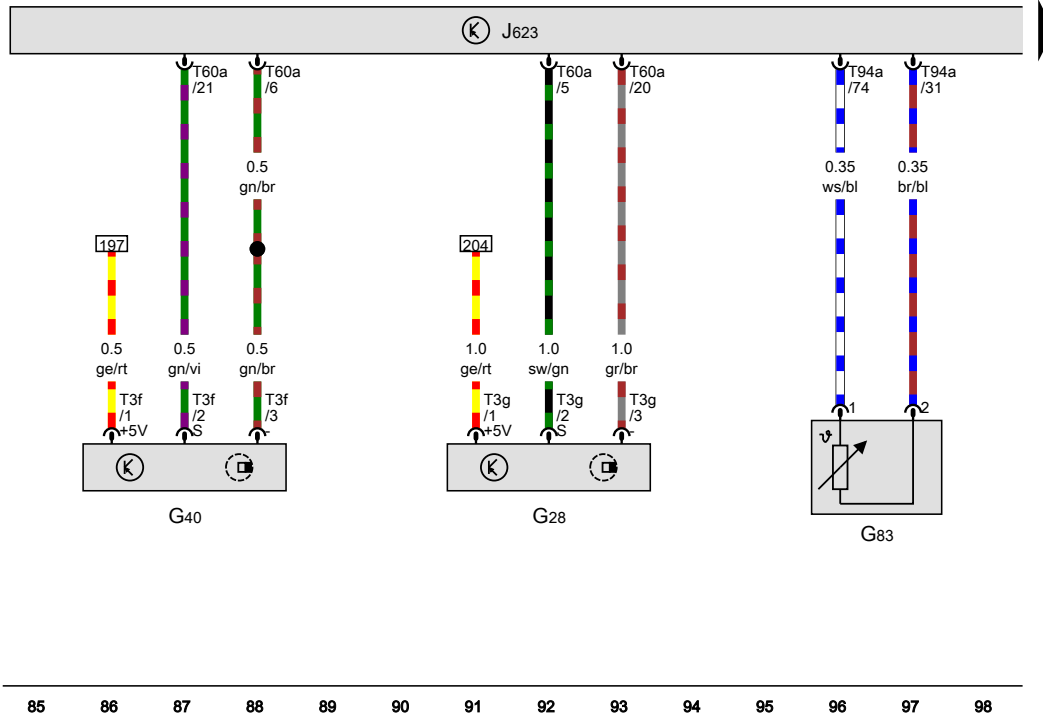
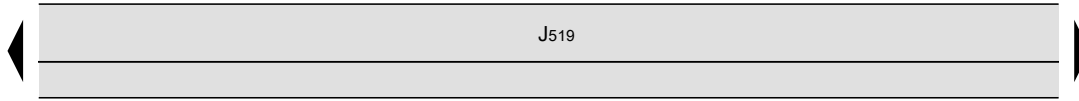
- B279 Positive connection 3 (15a) in main wiring harness
- B280 Positive connection 4 (15a) in main wiring harness
- B626 Positive connection 2 (15), in main wiring harness

- * Only models with manual gearbox
- *2 Only models with cruise control system (CCS)

- ws = white
- sw = black
- ro = red
- rt = red
- br = brown
- gn = green
- bl = blue
- gr = grey
- li = purple
- vi = purple
- ge = yellow
- or = orange
- rs = pink

Engine speed sender, Hall sender, Radiator outlet coolant temperature sender, Engine control unit

- G28 Engine speed sender
- G40 Hall sender
- G83 Radiator outlet coolant temperature sender
- J519 Onboard supply control unit
- J623 Engine control unit
- T3f 3-pin connector
- T3g 3-pin connector
- T60a 60-pin connector
- T94a 94-pin connector



- ws = white
- sw = black
- ro = red
- rt = red
- br = brown
- gn = green
- bl = blue
- gr = grey
- li = purple
- vi = purple
- ge = yellow
- or = orange
- rs = pink

[NH0-076080516]

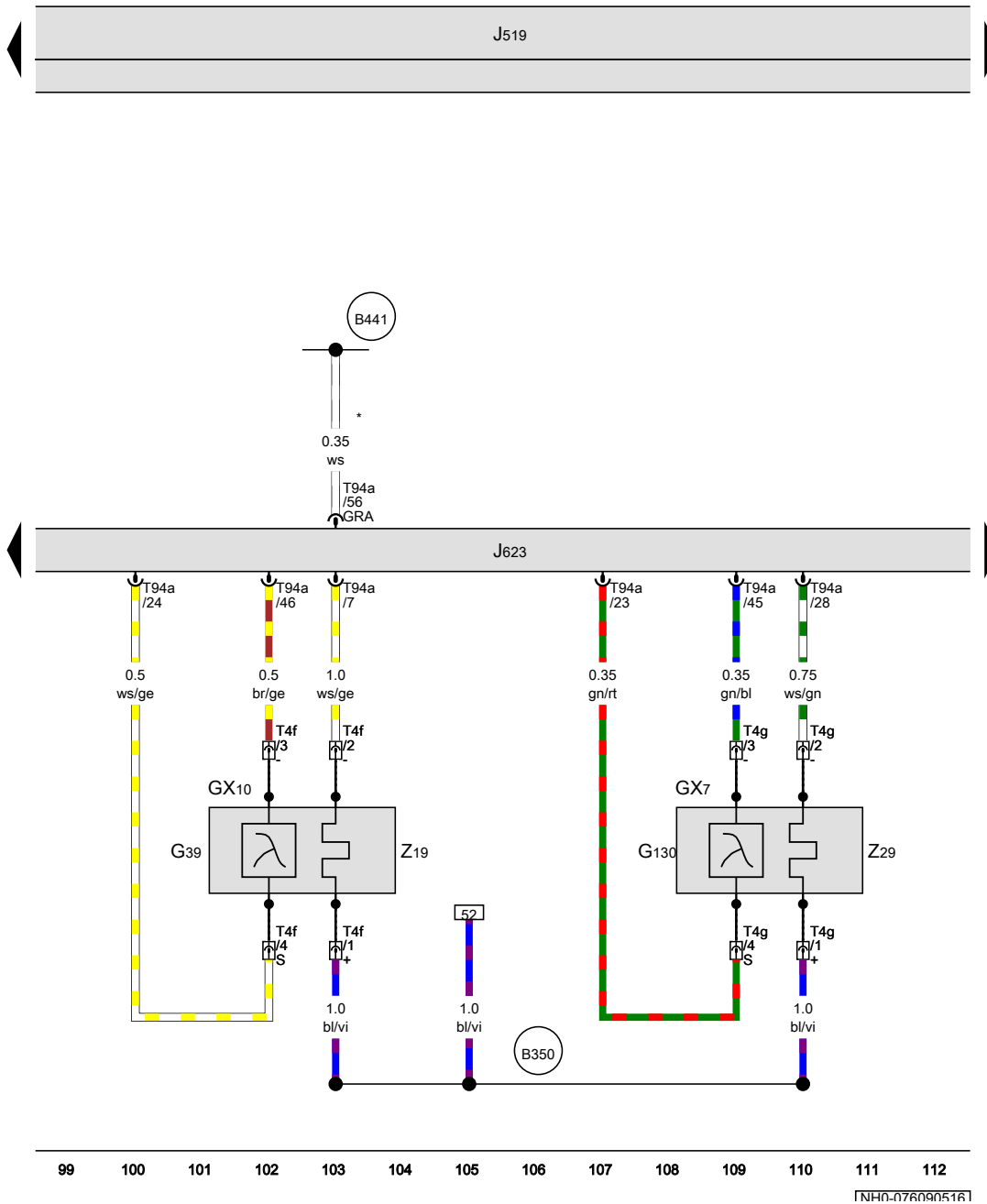
Lambda probe 1 after catalytic converter, Lambda probe 1 before catalytic converter, Engine control unit

- GX7 Lambda probe 1 after catalytic converter
- GX10 Lambda probe 1 before catalytic converter
- G39 Lambda probe
- G130 Lambda probe after catalytic converter
- J519 Onboard supply control unit
- J623 Engine control unit
- T4f 4-pin connector, brown
- T4g 4-pin connector, black
- T94a 94-pin connector
- Z19 Lambda probe heater
- Z29 Lambda probe 1 heater after catalytic converter

B350 Positive connection 1 (87a) in main wiring harness

B441 Connection (CCS), in main wiring harness

* Only models with cruise control system (CCS)



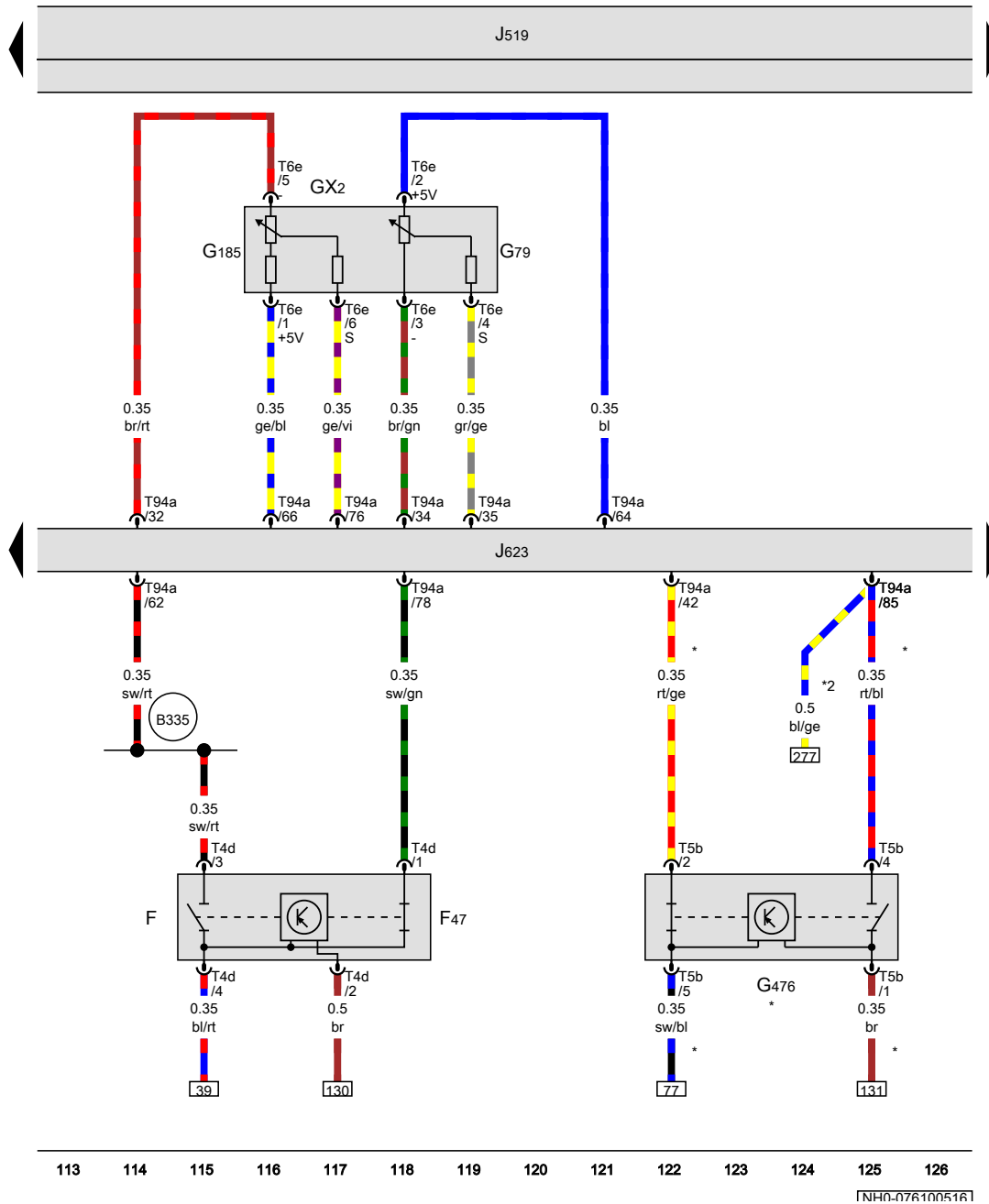
- ws = white
- sw = black
- ro = red
- rt = red
- br = brown
- gn = green
- bl = blue
- gr = grey
- li = purple
- vi = purple
- ge = yellow
- or = orange
- rs = pink

99 100 101 102 103 104 105 106 107 108 109 110 111 112

1NH0-0760905161

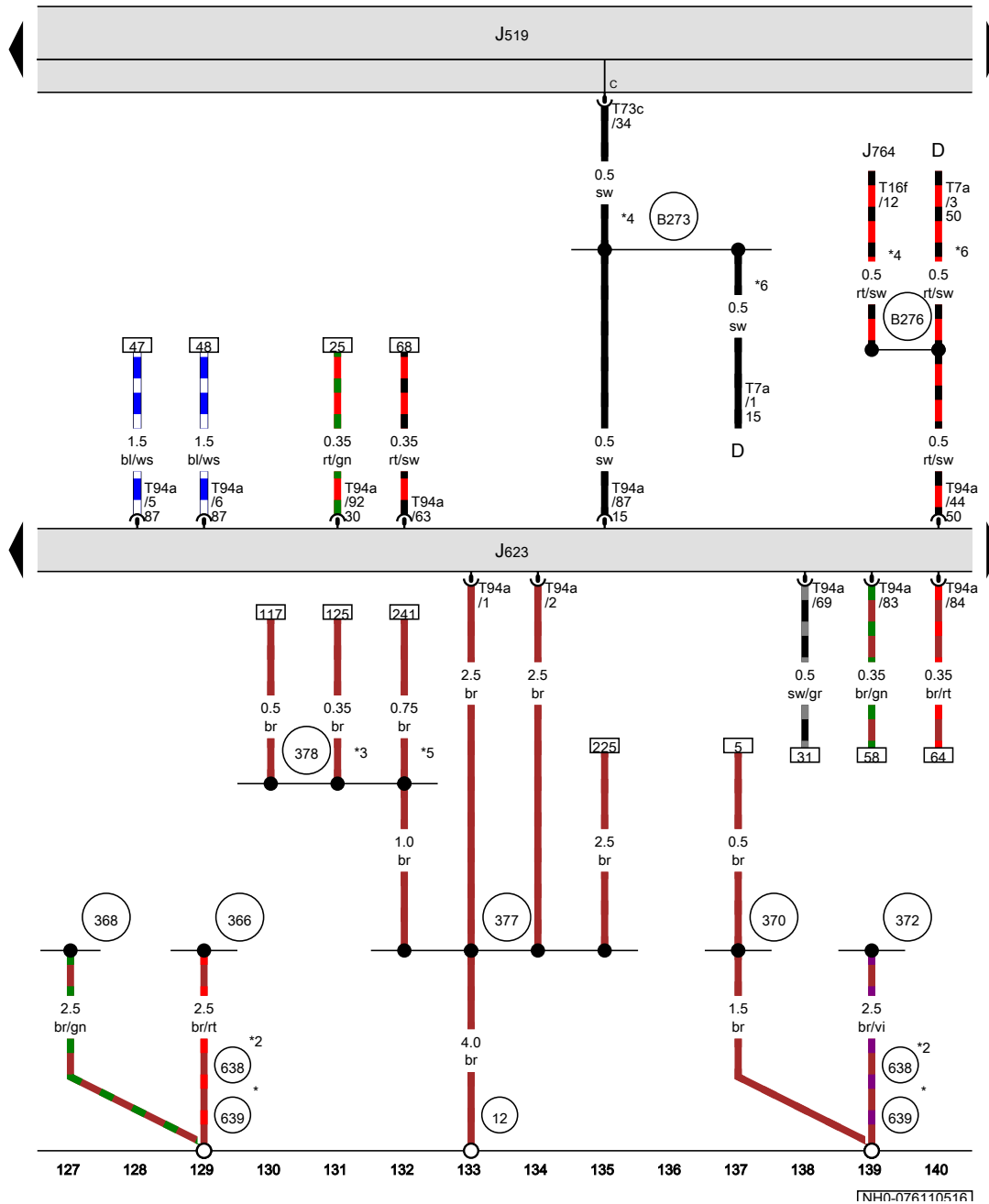
Brake pedal switch, Accelerator pedal module, Clutch position sender, Engine control unit

- F Brake light switch
- F47 Brake pedal switch
- GX2 Accelerator pedal module
- G79 Accelerator position sender
- G185 Accelerator position sender 2
- G476 Clutch position sender
- J519 Onboard supply control unit
- J623 Engine control unit
- T4d 4-pin connector
- T5b 5-pin connector
- T6e 6-pin connector
- T94a 94-pin connector
- B335 Connection 1 (54), in main wiring harness
- * Only models with manual gearbox
- *2 Only models with automatic gearbox



- ws = white
- sw = black
- ro = red
- rt = red
- br = brown
- gn = green
- bl = blue
- gr = grey
- li = purple
- vi = purple
- ge = yellow
- or = orange
- rs = pink

[NH0-076100516]



[NH0-076110516]

Engine control unit

- D Ignition/starter switch
- J519 Onboard supply control unit
- J623 Engine control unit
- J764 Control unit for electronic steering column lock
- T7a 7-pin connector
- T16f 16-pin connector
- T73c 73-pin connector, black
- T94a 94-pin connector

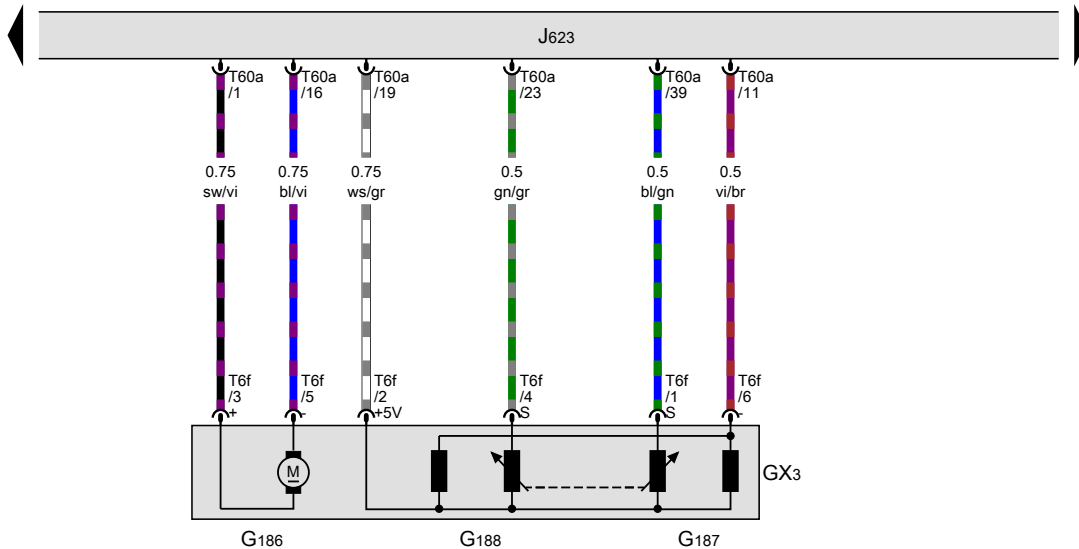
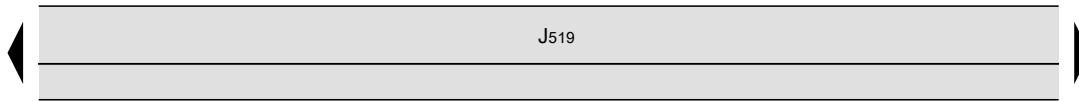
- 12 Earth point, on left in engine compartment
- 366 Earth connection 1, in main wiring harness
- 368 Earth connection 3, in main wiring harness
- 370 Earth connection 5, in main wiring harness
- 372 Earth connection 7, in main wiring harness
- 377 Earth connection 12, in main wiring harness
- 378 Earth connection 13, in main wiring harness
- 638 Earth point, on right A-pillar
- 639 Earth point, left A-pillar
- B273 Positive connection (15), in main wiring harness
- B276 Positive connection (50), in main wiring harness

- ws = white
- sw = black
- ro = red
- rt = red
- br = brown
- gn = green
- bl = blue
- gr = grey
- li = purple
- vi = purple
- ge = yellow
- or = orange
- rs = pink

- * Only left-hand drive models
- *2 Only right-hand drive models
- *3 Only models with manual gearbox
- *4 Only models with entry and start authorisation
- *5 Only models with extended servicing intervals (ESI)
- *6 Only models with no entry and start authorisation

Throttle valve module, Engine control unit

- GX3 Throttle valve module
- G186 Throttle valve drive for electric throttle
- G187 Throttle valve drive angle sender 1 for electric throttle
- G188 Throttle valve drive angle sender 2 for electric throttle
- J519 Onboard supply control unit
- J623 Engine control unit
- T6f 6-pin connector
- T60a 60-pin connector



- ws = white
- sw = black
- ro = red
- rt = red
- br = brown
- gn = green
- bl = blue
- gr = grey
- li = purple
- vi = purple
- ge = yellow
- or = orange
- rs = pink

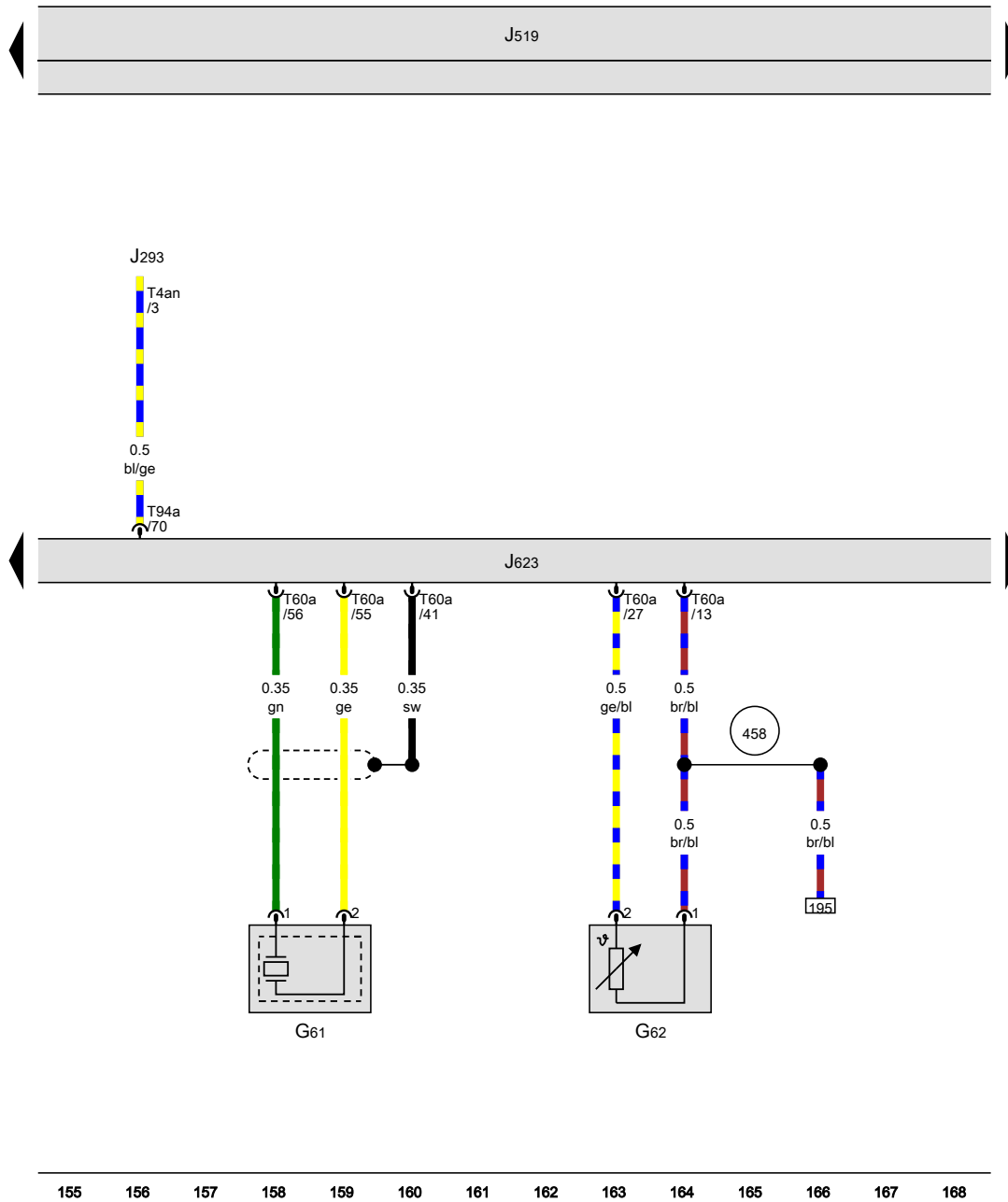
141 142 143 144 145 146 147 148 149 150 151 152 153 154

[NH0-076120516]

Knock sensor 1, Coolant temperature sender, Engine control unit

- G61 Knock sensor 1
- G62 Coolant temperature sender
- J293 Radiator fan control unit
- J519 Onboard supply control unit
- J623 Engine control unit
- T4an 4-pin connector
- T60a 60-pin connector
- T94a 94-pin connector

458 Earth point 3, engine prewiring harness



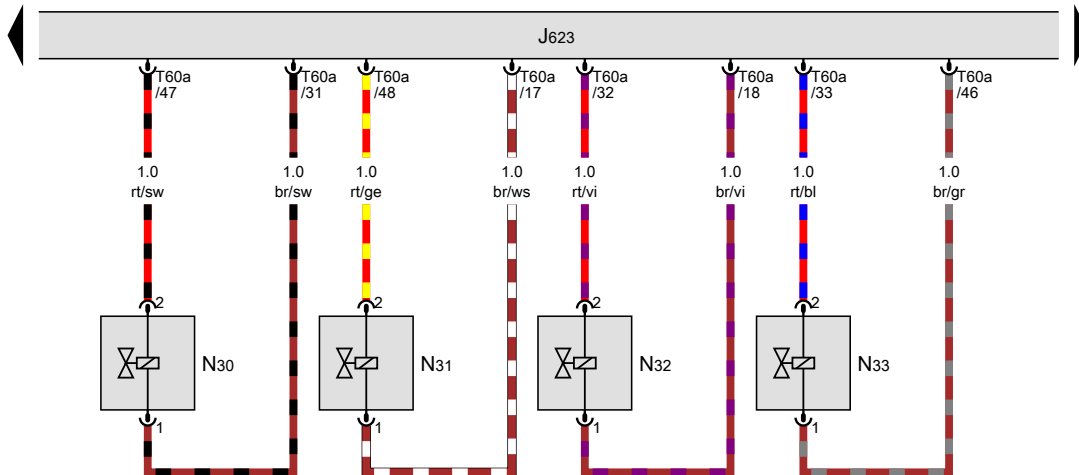
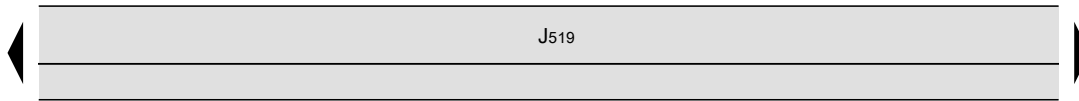
- ws = white
- sw = black
- ro = red
- rt = red
- br = brown
- gn = green
- bl = blue
- gr = grey
- li = purple
- vi = purple
- ge = yellow
- or = orange
- rs = pink

155 156 157 158 159 160 161 162 163 164 165 166 167 168

[NH0-076130516]

Engine control unit, Injector, cylinder 1, Injector, cylinder 2, Injector, cylinder 3, Injector, cylinder 4

- J519 Onboard supply control unit
- J623 Engine control unit
- N30 Injector, cylinder 1
- N31 Injector, cylinder 2
- N32 Injector, cylinder 3
- N33 Injector, cylinder 4
- T60a 60-pin connector



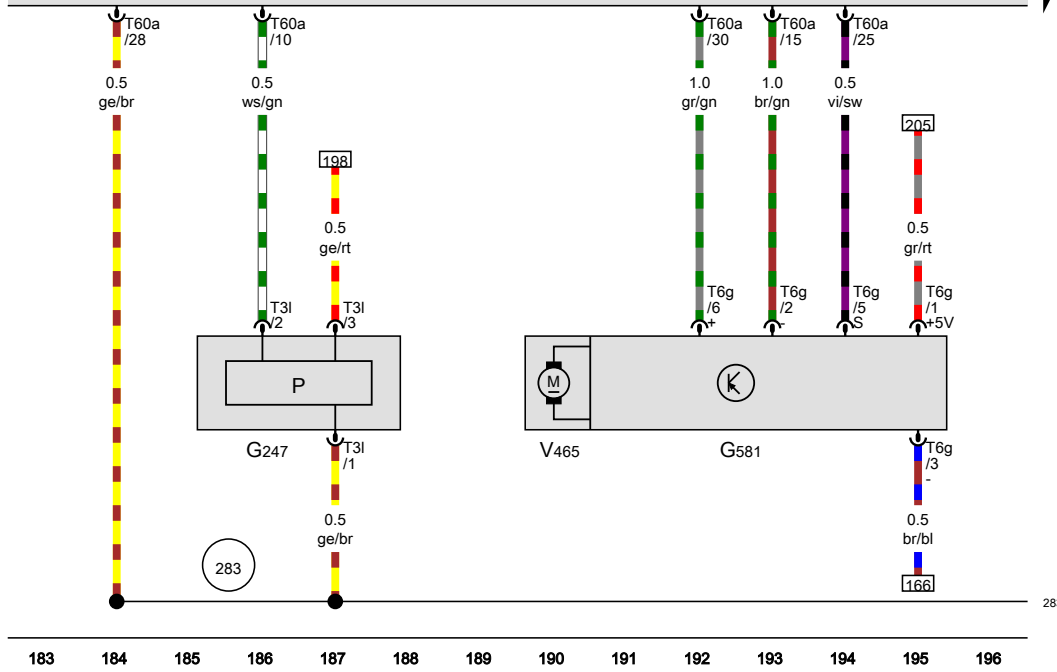
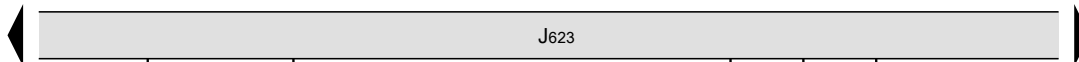
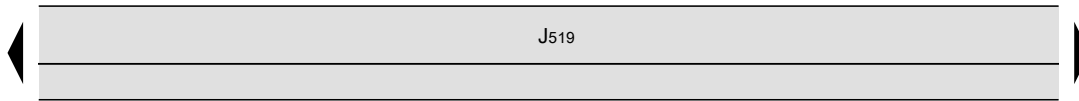
- ws = white
- sw = black
- ro = red
- rt = red
- br = brown
- gn = green
- bl = blue
- gr = grey
- li = purple
- vi = purple
- ge = yellow
- or = orange
- rs = pink

169 170 171 172 173 174 175 176 177 178 179 180 181 182

[NH0-076140516]

Fuel pressure sender, Position sender for charge pressure positioner, Engine control unit, Charge pressure positioner

- G247 Fuel pressure sender
- G581 Position sender for charge pressure positioner
- J519 Onboard supply control unit
- J623 Engine control unit
- T3I 3-pin connector
- T6g 6-pin connector
- T60a 60-pin connector
- V465 Charge pressure positioner
- 283 Earth point 2, engine prewiring harness

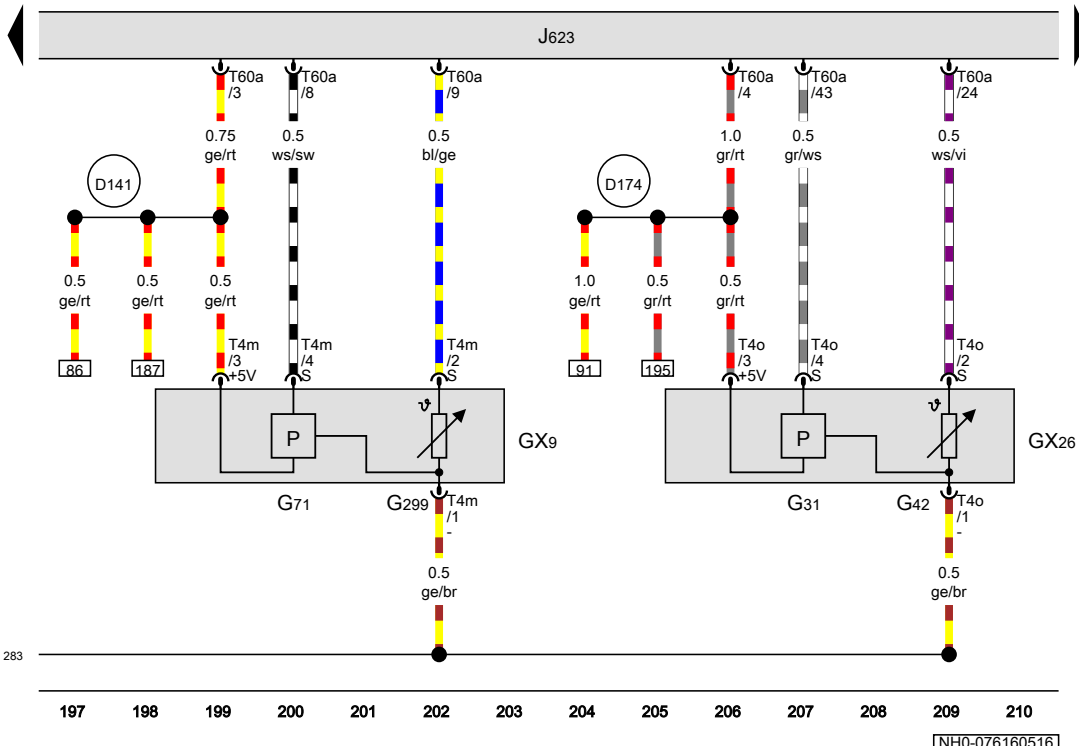
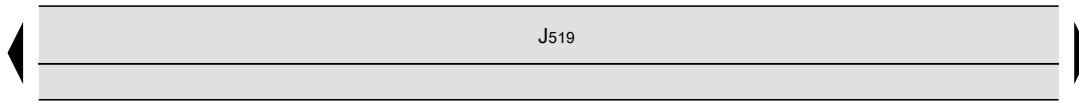


[NH0-076150516]

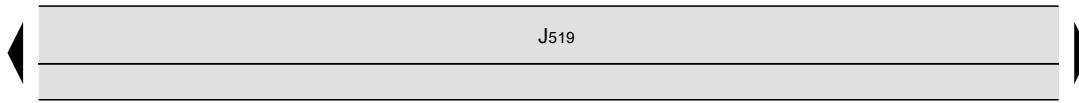
Intake manifold sender, Charge pressure sender, Engine control unit

- GX9 Intake manifold sender
- GX26 Charge pressure sender
- G31 Charge pressure sender
- G42 Intake air temperature sender
- G71 Intake manifold pressure sender
- G299 Intake air temperature sender 2
- J519 Onboard supply control unit
- J623 Engine control unit
- T4m 4-pin connector
- T4o 4-pin connector
- T60a 60-pin connector

- 283 Earth point 2, engine prewiring harness
- D141 Connection (5V) in engine prewiring harness
- D174 Connection 2 (5V) in engine prewiring harness



- ws = white
- sw = black
- ro = red
- rt = red
- br = brown
- gn = green
- bl = blue
- gr = grey
- li = purple
- vi = purple
- ge = yellow
- or = orange
- rs = pink

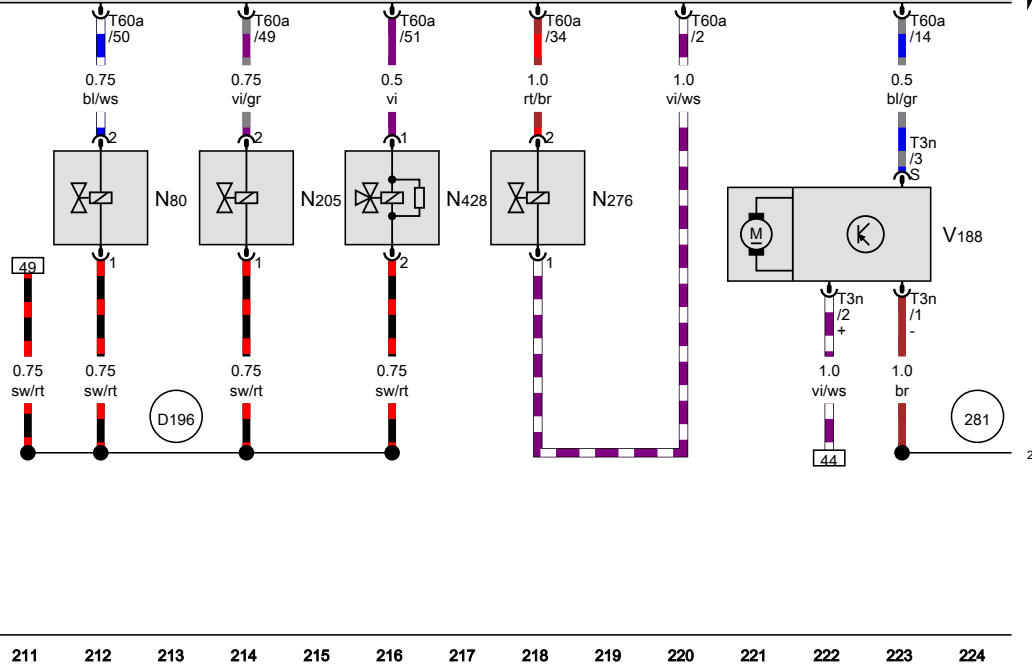
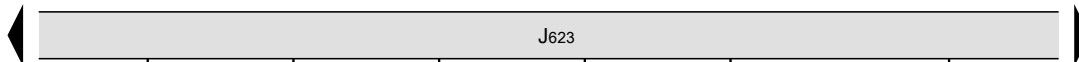


Engine control unit, Activated charcoal filter solenoid valve 1, Camshaft control valve 1, Fuel pressure regulating valve, Valve for oil pressure control, Charge air cooling pump

- J519 Onboard supply control unit
- J623 Engine control unit
- N80 Activated charcoal filter solenoid valve 1
- N205 Camshaft control valve 1
- N276 Fuel pressure regulating valve
- N428 Valve for oil pressure control
- T3n 3-pin connector
- T60a 60-pin connector
- V188 Charge air cooling pump

281 Earth point 1, engine prewiring harness

D196 Connection 2 (87a) in engine prewiring harness



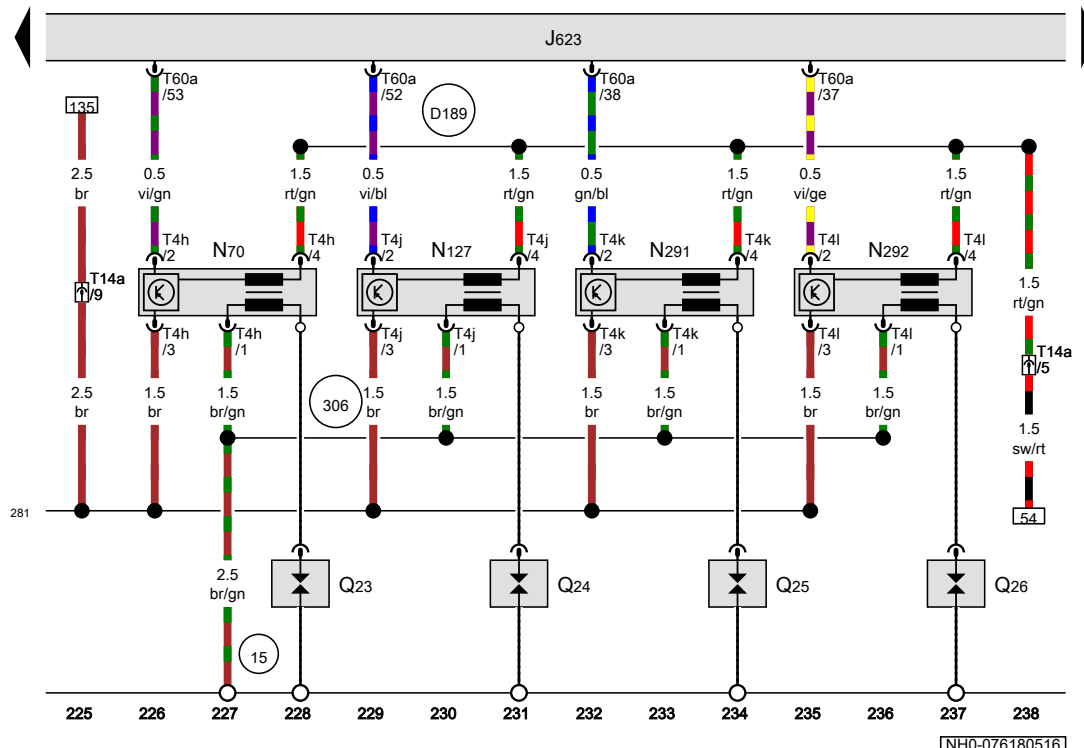
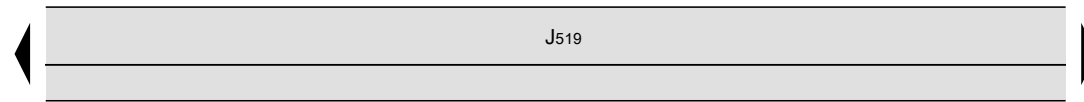
- ws = white
- sw = black
- ro = red
- rt = red
- br = brown
- gn = green
- bl = blue
- gr = grey
- li = purple
- vi = purple
- ge = yellow
- or = orange
- rs = pink

[NH0-076170516]

Engine control unit, Ignition coil 1 with output stage, Ignition coil 2 with output stage, Ignition coil 3 with output stage, Ignition coil 4 with output stage

- J519 Onboard supply control unit
- J623 Engine control unit
- N70 Ignition coil 1 with output stage
- N127 Ignition coil 2 with output stage
- N291 Ignition coil 3 with output stage
- N292 Ignition coil 4 with output stage
- Q23 Spark plug 1
- Q24 Spark plug 2
- Q25 Spark plug 3
- Q26 Spark plug 4
- T4h 4-pin connector
- T4j 4-pin connector
- T4k 4-pin connector
- T4l 4-pin connector
- T14a 14-pin connector, front left in engine compartment
- T60a 60-pin connector

- 15 Earth point, on cylinder head
- 281 Earth point 1, engine prewiring harness
- 306 Earth connection (ignition coils), in engine prewiring harness
- D189 Connection (87a) in engine prewiring harness

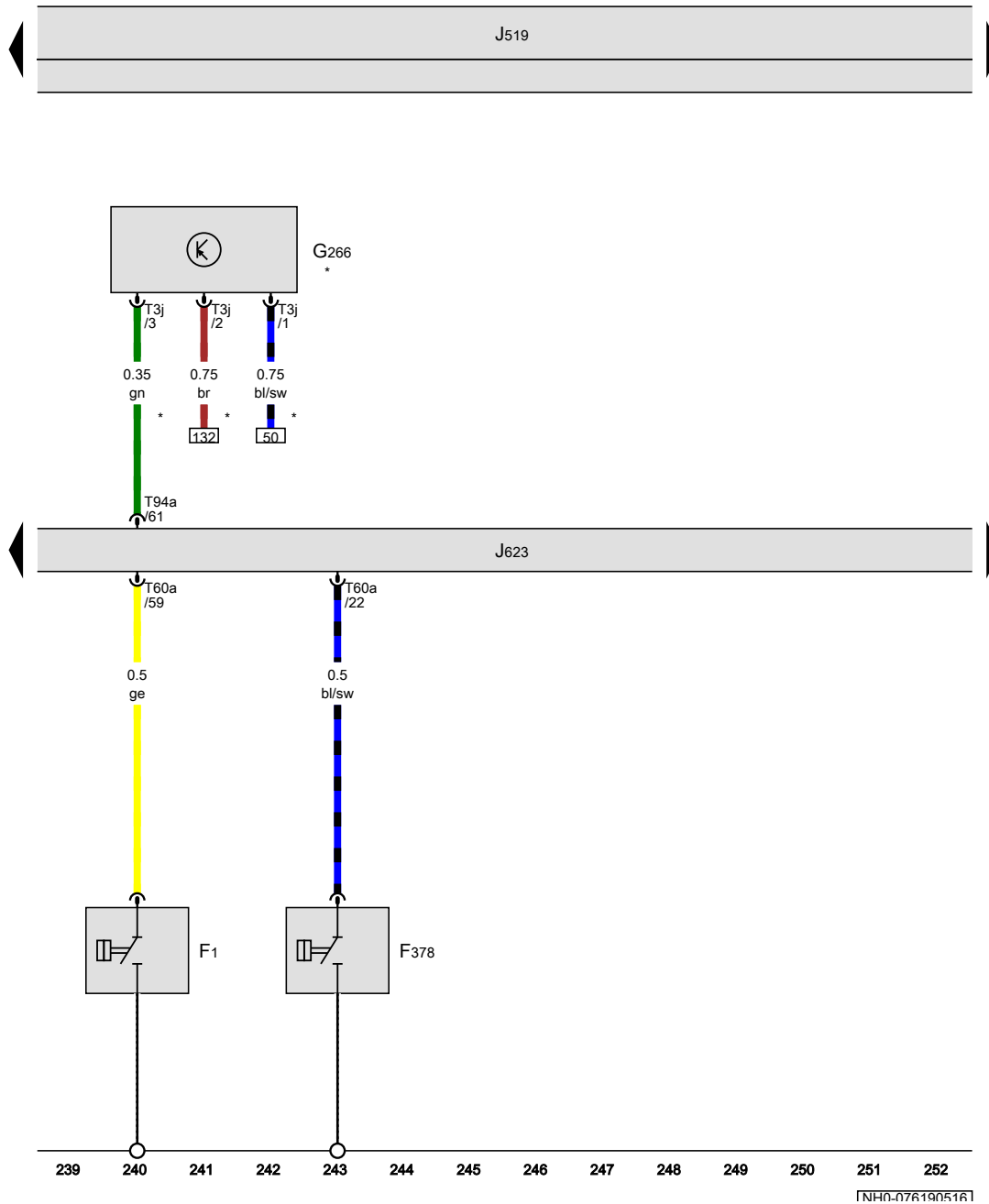


- ws = white
- sw = black
- ro = red
- rt = red
- br = brown
- gn = green
- bl = blue
- gr = grey
- li = purple
- vi = purple
- ge = yellow
- or = orange
- rs = pink

[NHN-076180516]

Oil pressure switch, Oil pressure switch for reduced oil pressure, Oil level and oil temperature sender, Engine control unit

- F1 Oil pressure switch
- F378 Oil pressure switch for reduced oil pressure
- G266 Oil level and oil temperature sender
- J519 Onboard supply control unit
- J623 Engine control unit
- T3j 3-pin connector
- T60a 60-pin connector
- T94a 94-pin connector
- * Only models with extended servicing intervals (ESI)



- ws = white
- sw = black
- ro = red
- rt = red
- br = brown
- gn = green
- bl = blue
- gr = grey
- li = purple
- vi = purple
- ge = yellow
- or = orange
- rs = pink

[NH0-076190516]

Fuel delivery unit, Fuel pump control unit, Engine control unit

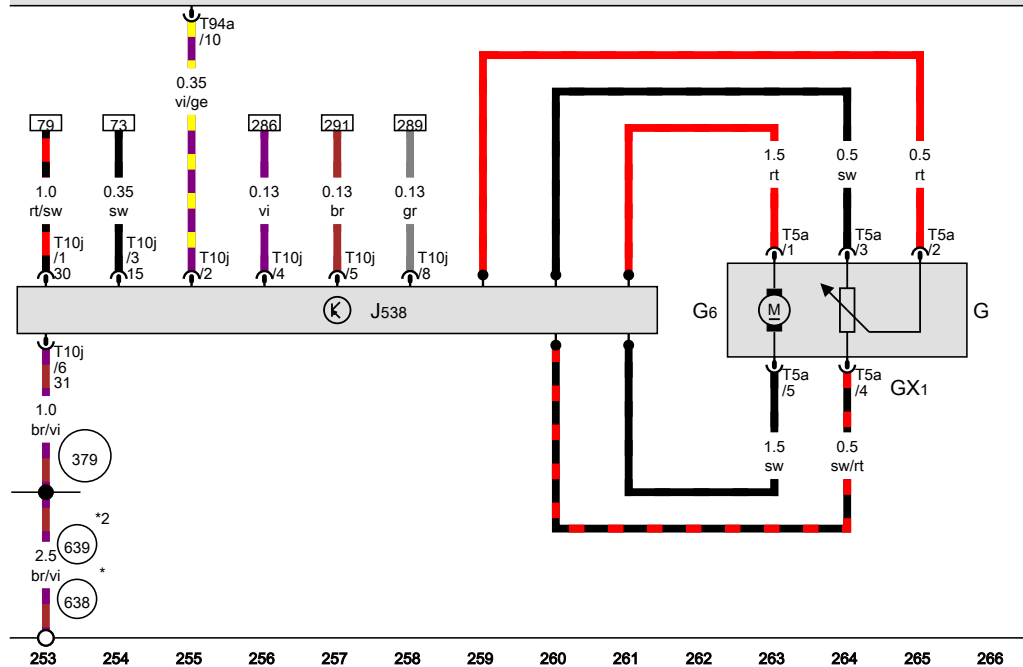
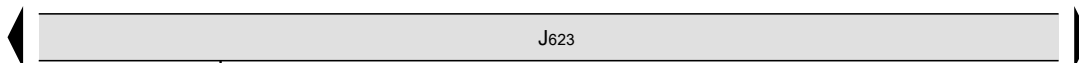
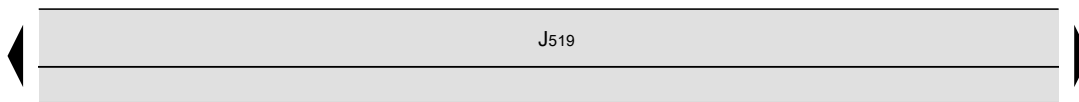
- G Fuel gauge sender
- GX1 Fuel delivery unit
- G6 Fuel system pressurisation pump
- J519 Onboard supply control unit
- J538 Fuel pump control unit
- J623 Engine control unit
- T5a 5-pin connector
- T10j 10-pin connector
- T94a 94-pin connector

379 Earth connection 14, in main wiring harness

638 Earth point, on right A-pillar

639 Earth point, left A-pillar

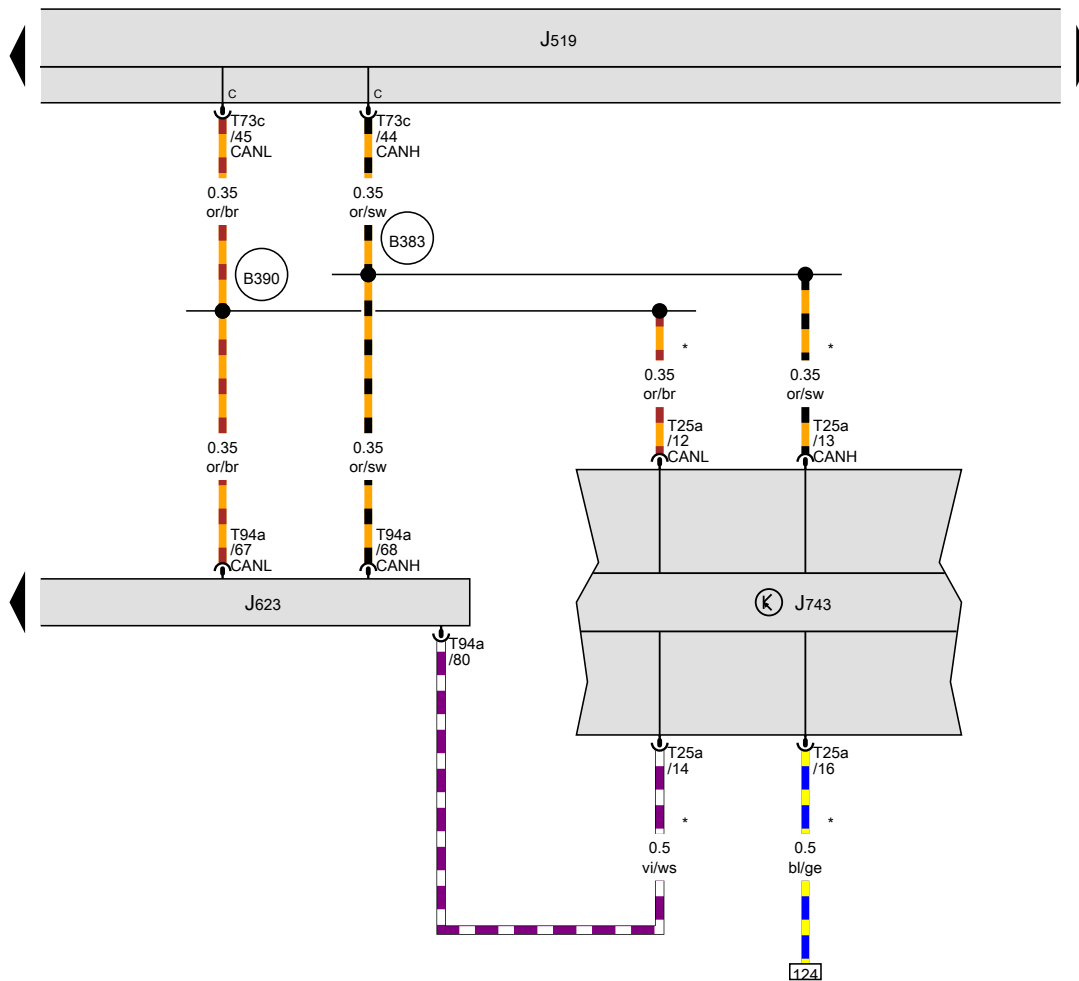
- * Only left-hand drive models
- *2 Only right-hand drive models



- ws = white
- sw = black
- ro = red
- rt = red
- br = brown
- gn = green
- bl = blue
- gr = grey
- li = purple
- vi = purple
- ge = yellow
- or = orange
- rs = pink

[NH0-076200516]

Engine control unit, Mechatronic unit for dual clutch gearbox

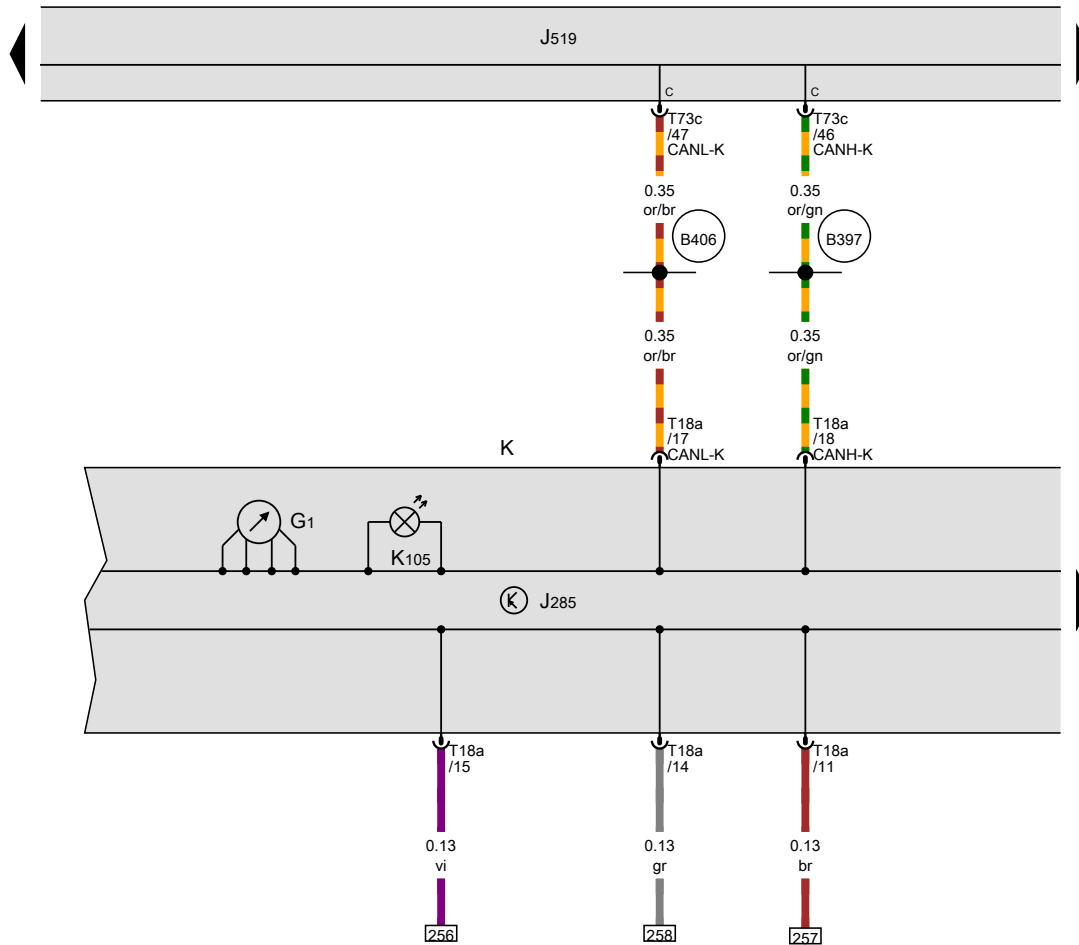


- J519 Onboard supply control unit
- J623 Engine control unit
- J743 Mechatronic unit for dual clutch gearbox
- T25a 25-pin connector
- T73c 73-pin connector, black
- T94a 94-pin connector
- B383 Connection 1 (powertrain CAN bus, high), in main wiring harness
- B390 Connection 1 (powertrain CAN bus, low), in main wiring harness
- * Only models with automatic gearbox

- ws = white
- sw = black
- ro = red
- rt = red
- br = brown
- gn = green
- bl = blue
- gr = grey
- li = purple
- vi = purple
- ge = yellow
- or = orange
- rs = pink

Fuel gauge, Dash panel insert

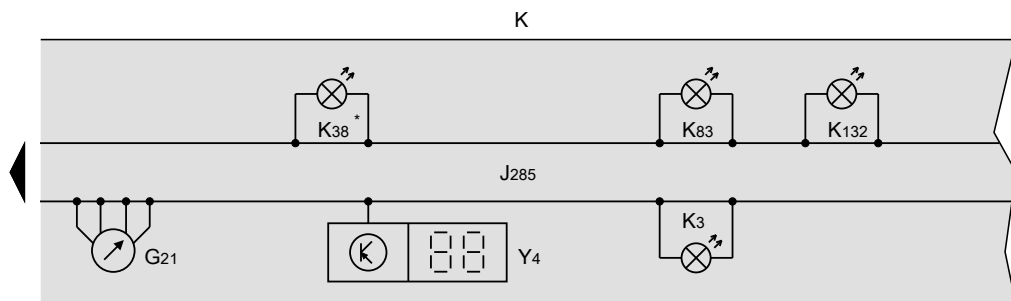
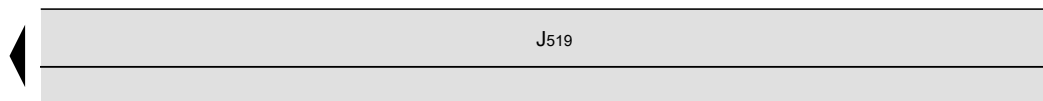
- G1 Fuel gauge
- J285 Control unit in dash panel insert
- J519 Onboard supply control unit
- K Dash panel insert
- K105 Reserve fuel warning lamp
- T18a 18-pin connector
- T73c 73-pin connector, black
- B397** Connection 1 (convenience CAN bus, high), in main wiring harness
- B406** Connection 1 (convenience CAN bus, low), in main wiring harness



- ws = white
- sw = black
- ro = red
- rt = red
- br = brown
- gn = green
- bl = blue
- gr = grey
- li = purple
- vi = purple
- ge = yellow
- or = orange
- rs = pink

Speedometer, Dash panel insert, Trip counter

- G21 Speedometer
- J285 Control unit in dash panel insert
- J519 Onboard supply control unit
- K Dash panel insert
- K3 Oil pressure warning lamp
- K38 Oil level warning lamp
- K83 Exhaust emissions warning lamp
- K132 Electronic power control fault lamp
- Y4 Trip counter
- * Only models with extended servicing intervals (ESI)



- ws = white
- sw = black
- ro = red
- rt = red
- br = brown
- gn = green
- bl = blue
- gr = grey
- li = purple
- vi = purple
- ge = yellow
- or = orange
- rs = pink

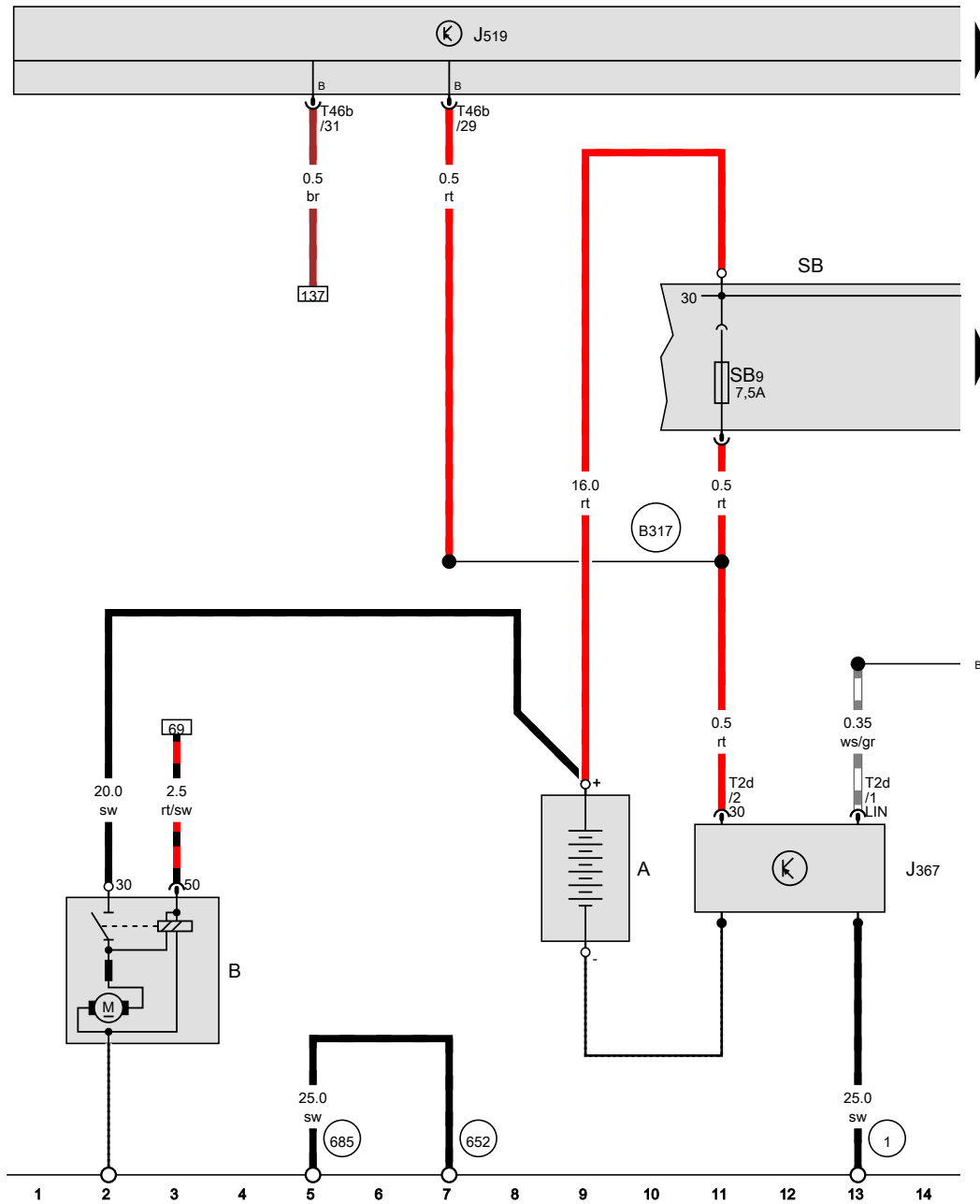
295 296 297 298 299 300 301 302 303 304 305 306 307 308

[NH0-076230516]

1.4l petrol engine with start/stop system , CZCA,(7L6)

From November 2015

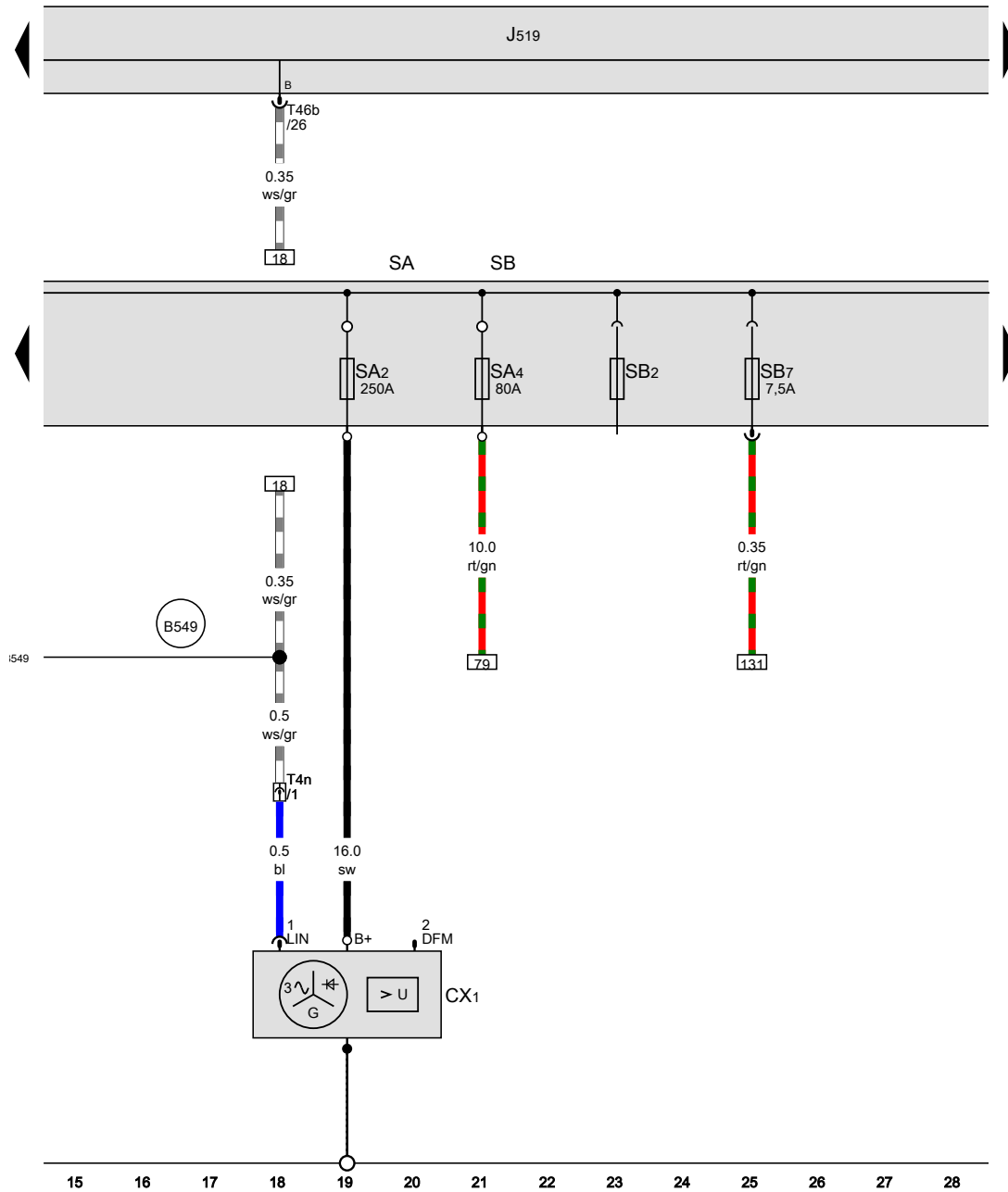
Battery, Starter, Battery monitor control unit, Fuse holder B



- A Battery
 - B Starter
 - J367 Battery monitor control unit
 - J519 Onboard supply control unit
 - SB Fuse holder B
 - SB9 Fuse 9 on fuse holder B
 - T2d 2-pin connector
 - T46b 46-pin connector, brown
- 1 Earth strap, battery - body
 - 652 Earth point, engine and gearbox earth
 - 685 Earth point 1 at front of right longitudinal member
 - B317 Positive connection 3 (30a) in main wiring harness
 - B549 Connection 2 (LIN bus) in main wiring harness

- ws = white
- sw = black
- ro = red
- rt = red
- br = brown
- gn = green
- bl = blue
- gr = grey
- li = purple
- vi = purple
- ge = yellow
- or = orange
- rs = pink

[NH0-077020516]



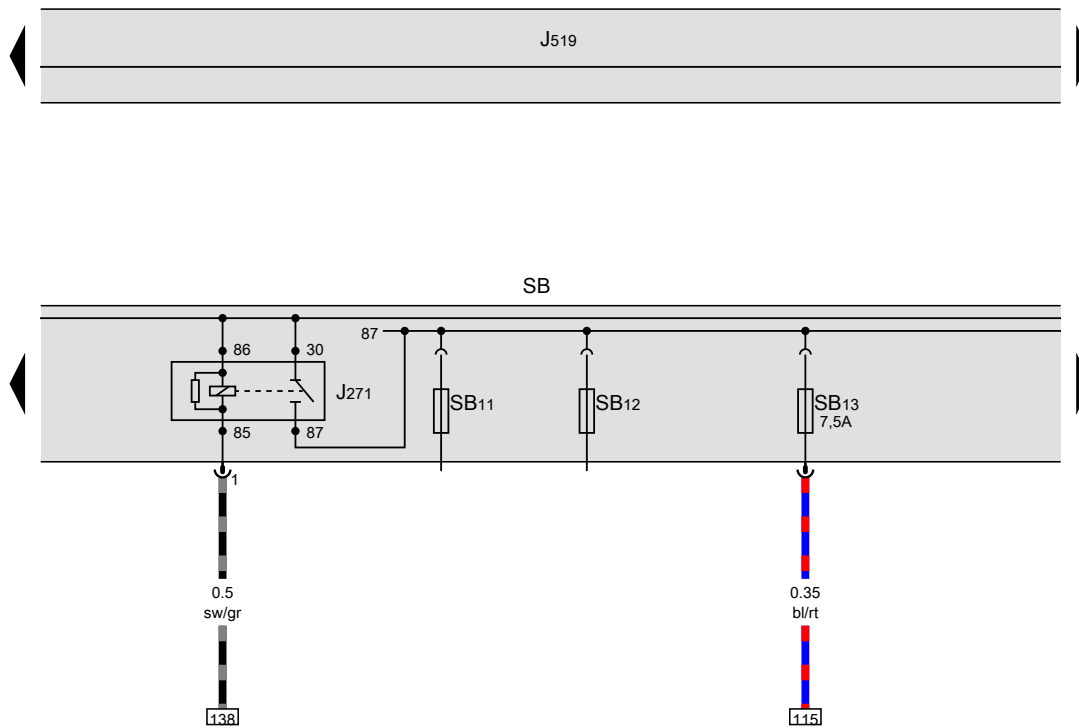
Alternator with voltage regulator, Fuse holder A, Fuse holder B

- CX1 Alternator with voltage regulator
- J519 Onboard supply control unit
- SA Fuse holder A
- SA2 Fuse 2 in fuse holder A
- SB2 Fuse 2 on fuse holder B
- SA4 Fuse 4 in fuse holder A
- SB Fuse holder B
- SB7 Fuse 7 on fuse holder B
- T4n 4-pin connector, front left in engine compartment
- T46b 46-pin connector, brown
- B549 Connection 2 (LIN bus) in main wiring harness

- ws = white
- sw = black
- ro = red
- rt = red
- br = brown
- gn = green
- bl = blue
- gr = grey
- li = purple
- vi = purple
- ge = yellow
- or = orange
- rs = pink

Main relay, Fuse holder B

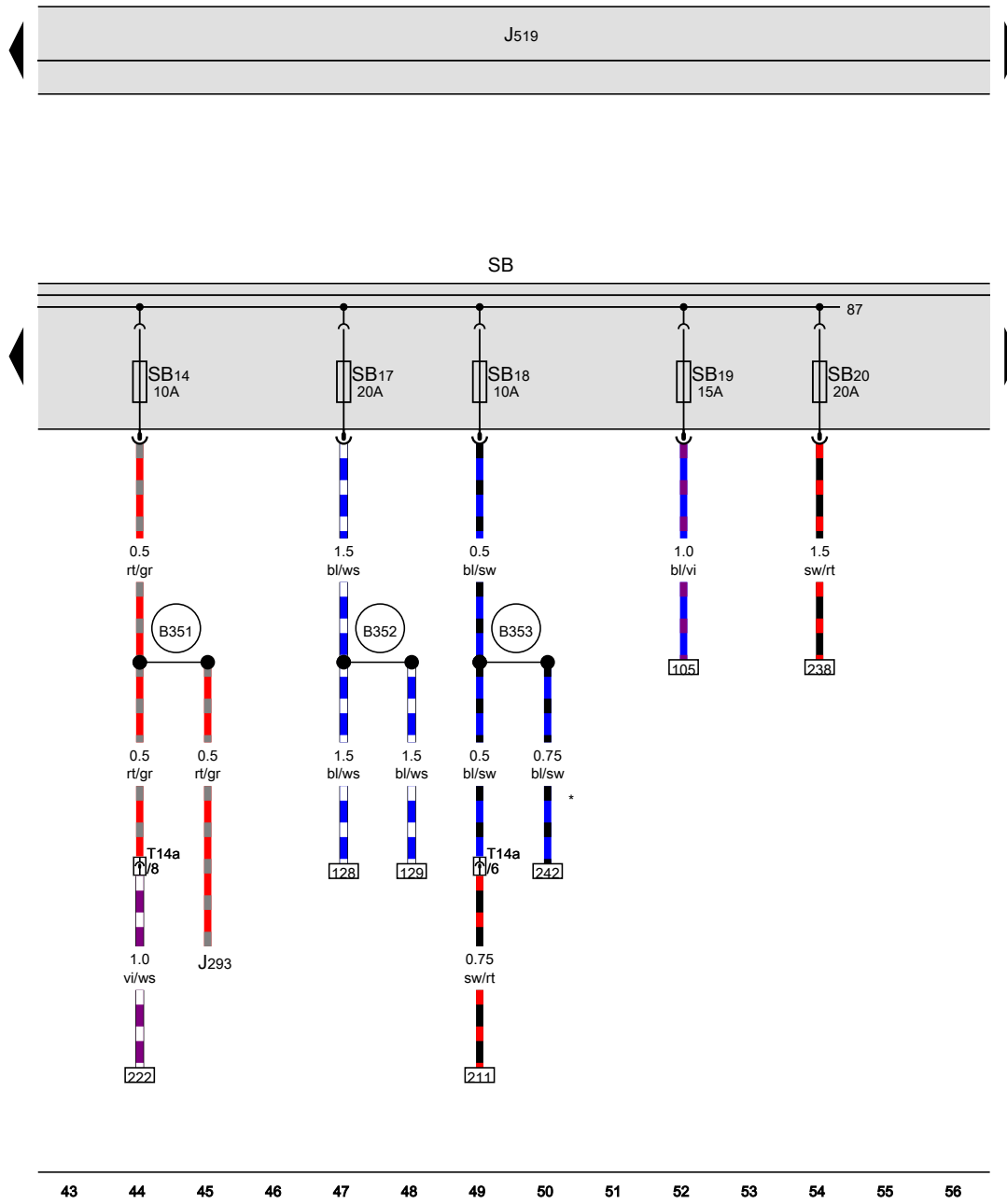
- J271 Main relay
- J519 Onboard supply control unit
- SB Fuse holder B
- SB11 Fuse 11 on fuse holder B
- SB12 Fuse 12 on fuse holder B
- SB13 Fuse 13 on fuse holder B



- ws = white
- sw = black
- ro = red
- rt = red
- br = brown
- gn = green
- bl = blue
- gr = grey
- li = purple
- vi = purple
- ge = yellow
- or = orange
- rs = pink

29 30 31 32 33 34 35 36 37 38 39 40 41 42

[NH0-077040516]



Fuse holder B

- J293 Radiator fan control unit
- J519 Onboard supply control unit
- SB Fuse holder B
- SB14 Fuse 14 on fuse holder B
- SB17 Fuse 17 on fuse holder B
- SB18 Fuse 18 on fuse holder B
- SB19 Fuse 19 on fuse holder B
- SB20 Fuse 20 on fuse holder B
- T14a 14-pin connector, front left in engine compartment

B351 Positive connection 2 (87a) in main wiring harness

B352 Positive connection 3 (87a) in main wiring harness

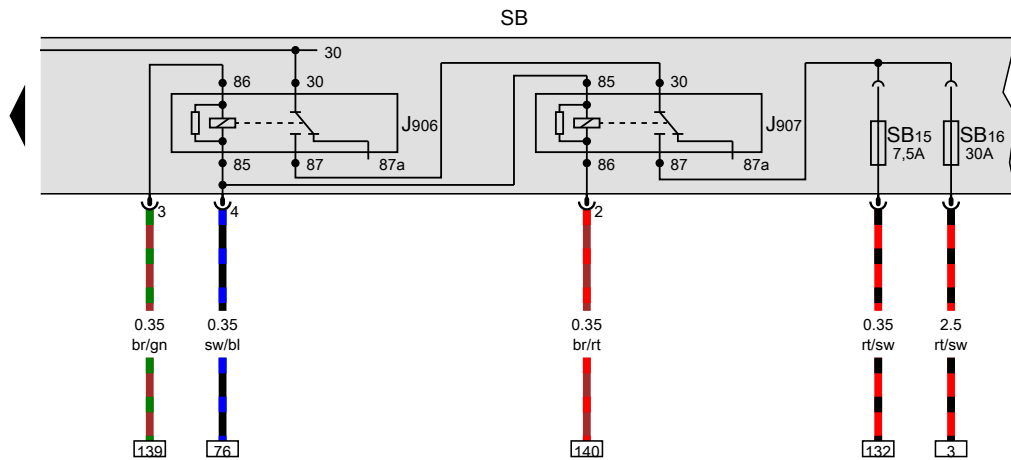
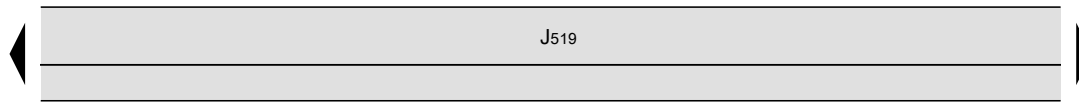
B353 Positive connection 4 (87a) in main wiring harness

* Only models with extended servicing intervals (ESI)

- ws = white
- sw = black
- ro = red
- rt = red
- br = brown
- gn = green
- bl = blue
- gr = grey
- li = purple
- vi = purple
- ge = yellow
- or = orange
- rs = pink

Starter relay 1, Starter relay 2, Fuse holder B

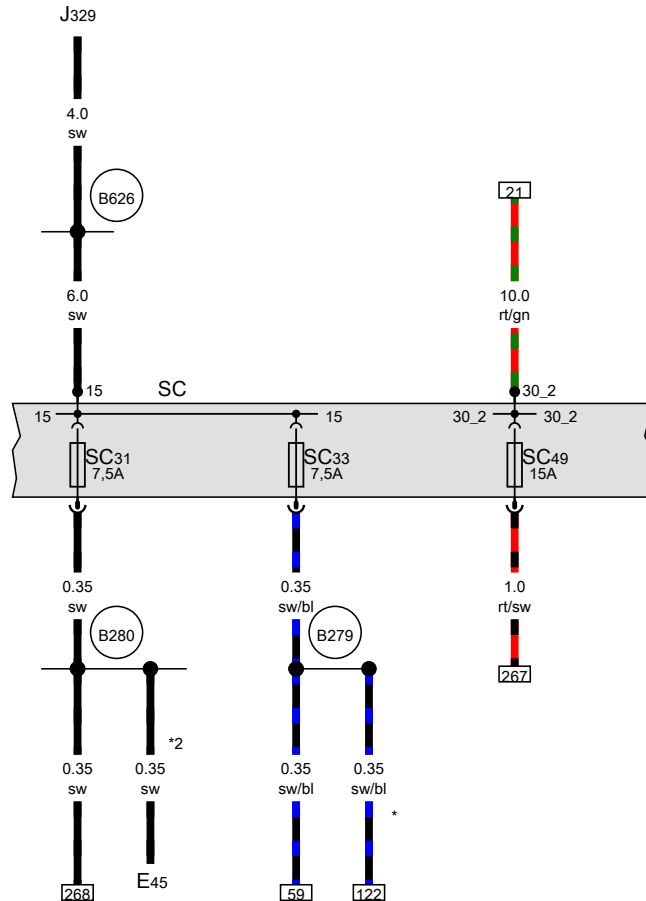
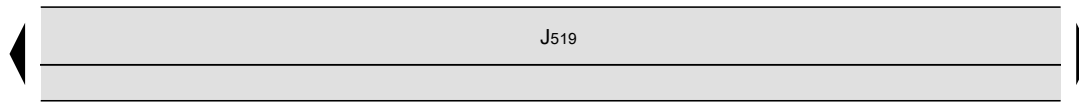
- J519 Onboard supply control unit
- J906 Starter relay 1
- J907 Starter relay 2
- SB Fuse holder B
- SB15 Fuse 15 on fuse holder B
- SB16 Fuse 16 on fuse holder B



- ws = white
- sw = black
- ro = red
- rt = red
- br = brown
- gn = green
- bl = blue
- gr = grey
- li = purple
- vi = purple
- ge = yellow
- or = orange
- rs = pink

57 58 59 60 61 62 63 64 65 66 67 68 69 70

[NH0-077060516]



Fuse holder C

- E45 Cruise control system switch
- J329 Terminal 15 voltage supply relay
- J519 Onboard supply control unit
- SC Fuse holder C
- SC31 Fuse 31 on fuse holder C
- SC33 Fuse 33 on fuse holder C
- SC49 Fuse 49 on fuse holder C

- B279 Positive connection 3 (15a) in main wiring harness
- B280 Positive connection 4 (15a) in main wiring harness
- B626 Positive connection 2 (15), in main wiring harness

- * Only models with manual gearbox
- *2 Only models with cruise control system (CCS)

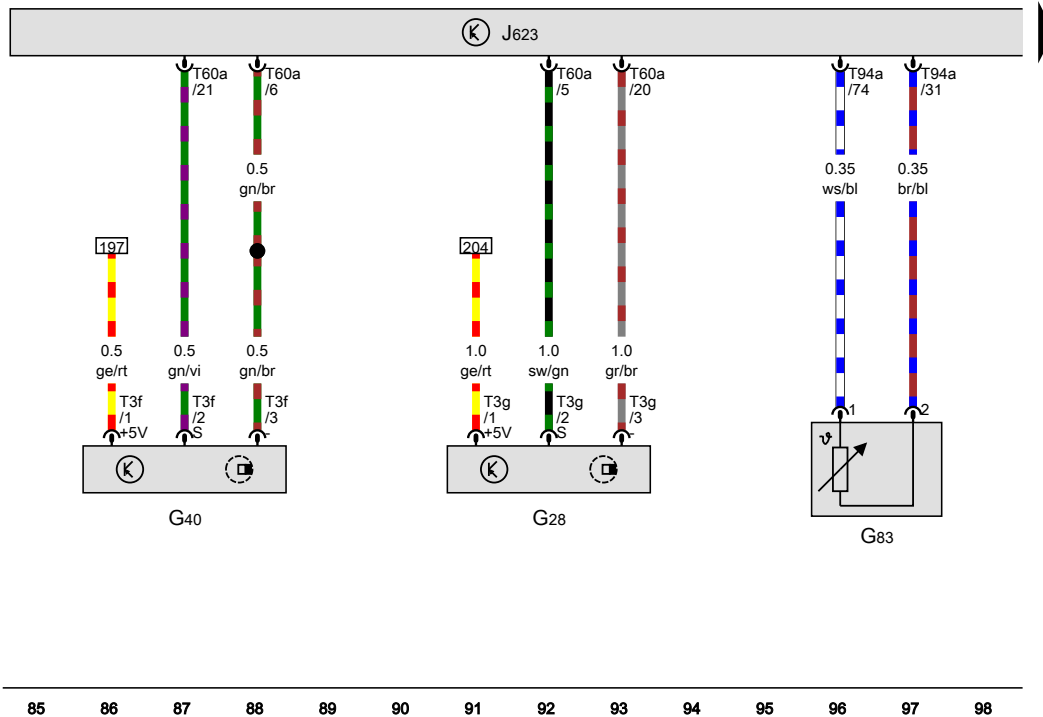
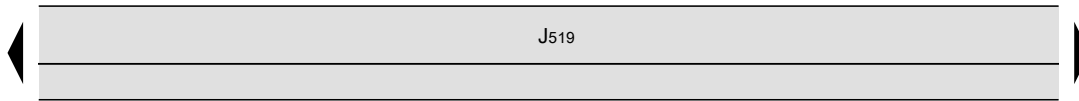
- ws = white
- sw = black
- ro = red
- rt = red
- br = brown
- gn = green
- bl = blue
- gr = grey
- li = purple
- vi = purple
- ge = yellow
- or = orange
- rs = pink

71 72 73 74 75 76 77 78 79 80 81 82 83 84

[NH0-077070516]

Engine speed sender, Hall sender, Radiator outlet coolant temperature sender, Engine control unit

- G28 Engine speed sender
- G40 Hall sender
- G83 Radiator outlet coolant temperature sender
- J519 Onboard supply control unit
- J623 Engine control unit
- T3f 3-pin connector
- T3g 3-pin connector
- T60a 60-pin connector
- T94a 94-pin connector



85 86 87 88 89 90 91 92 93 94 95 96 97 98

[NH0-077080516]

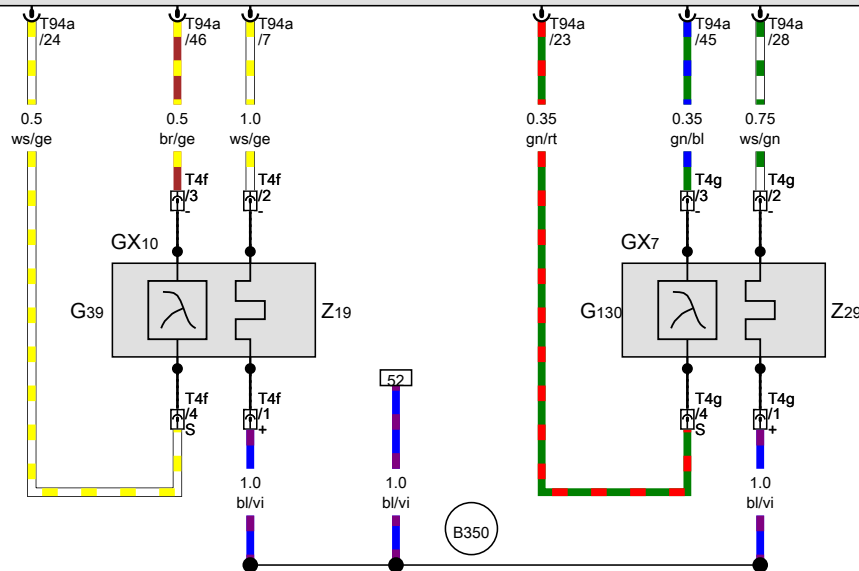
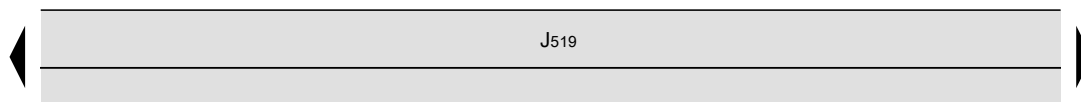
Lambda probe 1 after catalytic converter, Lambda probe 1 before catalytic converter, Engine control unit

- GX7 Lambda probe 1 after catalytic converter
- GX10 Lambda probe 1 before catalytic converter
- G39 Lambda probe
- G130 Lambda probe after catalytic converter
- J519 Onboard supply control unit
- J623 Engine control unit
- T4f 4-pin connector, brown
- T4g 4-pin connector, black
- T94a 94-pin connector
- Z19 Lambda probe heater
- Z29 Lambda probe 1 heater after catalytic converter

B350 Positive connection 1 (87a) in main wiring harness

B441 Connection (CCS), in main wiring harness

* Only models with cruise control system (CCS)



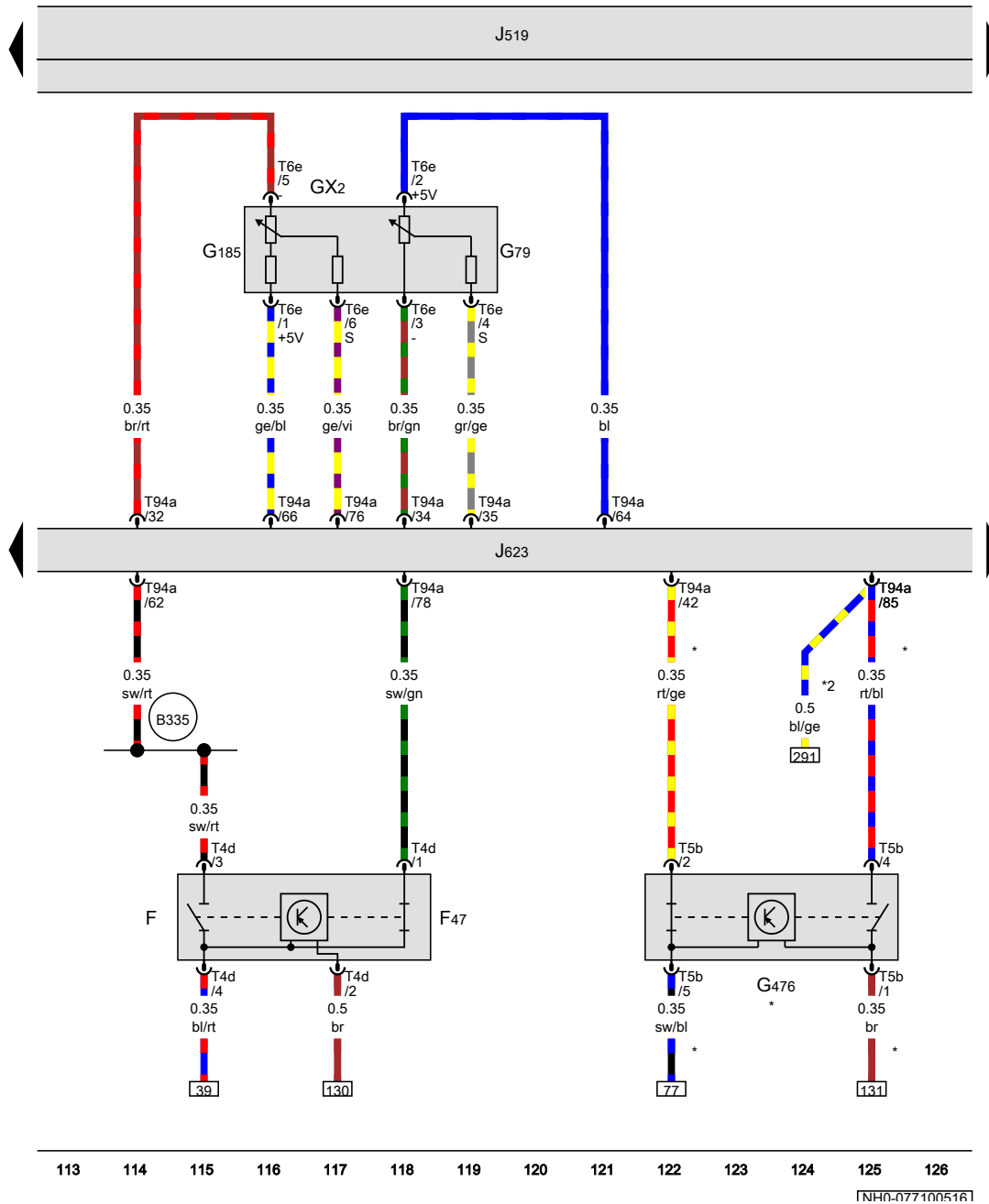
- ws = white
- sw = black
- ro = red
- rt = red
- br = brown
- gn = green
- bl = blue
- gr = grey
- li = purple
- vi = purple
- ge = yellow
- or = orange
- rs = pink

99 100 101 102 103 104 105 106 107 108 109 110 111 112

1NH0-0770905161

Brake pedal switch, Accelerator pedal module, Clutch position sender, Engine control unit

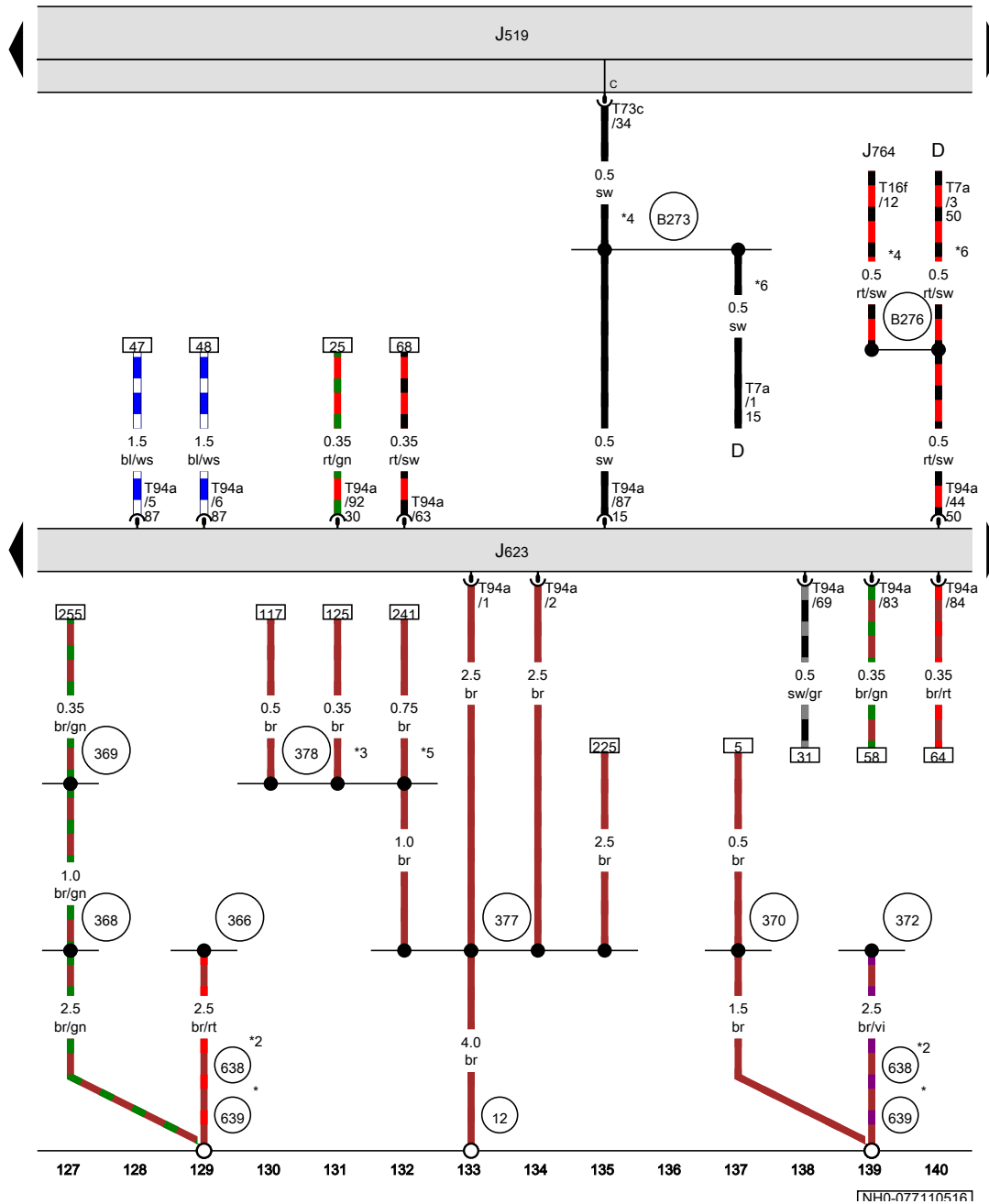
- F Brake light switch
- F47 Brake pedal switch
- GX2 Accelerator pedal module
- G79 Accelerator position sender
- G185 Accelerator position sender 2
- G476 Clutch position sender
- J519 Onboard supply control unit
- J623 Engine control unit
- T4d 4-pin connector
- T5b 5-pin connector
- T6e 6-pin connector
- T94a 94-pin connector
- B335 Connection 1 (54), in main wiring harness
- * Only models with manual gearbox
- *2 Only models with automatic gearbox



- ws = white
- sw = black
- ro = red
- rt = red
- br = brown
- gn = green
- bl = blue
- gr = grey
- li = purple
- vi = purple
- ge = yellow
- or = orange
- rs = pink

113 114 115 116 117 118 119 120 121 122 123 124 125 126

[NH0-077100516]



Engine control unit

- D Ignition/starter switch
- J519 Onboard supply control unit
- J623 Engine control unit
- J764 Control unit for electronic steering column lock
- T7a 7-pin connector
- T16f 16-pin connector
- T73c 73-pin connector, black
- T94a 94-pin connector

- (12) Earth point, on left in engine compartment
- (366) Earth connection 1, in main wiring harness
- (368) Earth connection 3, in main wiring harness
- (369) Earth connection 4, in main wiring harness
- (370) Earth connection 5, in main wiring harness
- (372) Earth connection 7, in main wiring harness
- (377) Earth connection 12, in main wiring harness
- (378) Earth connection 13, in main wiring harness
- (638) Earth point, on right A-pillar
- (639) Earth point, left A-pillar
- (B273) Positive connection (15), in main wiring harness
- (B276) Positive connection (50), in main wiring harness

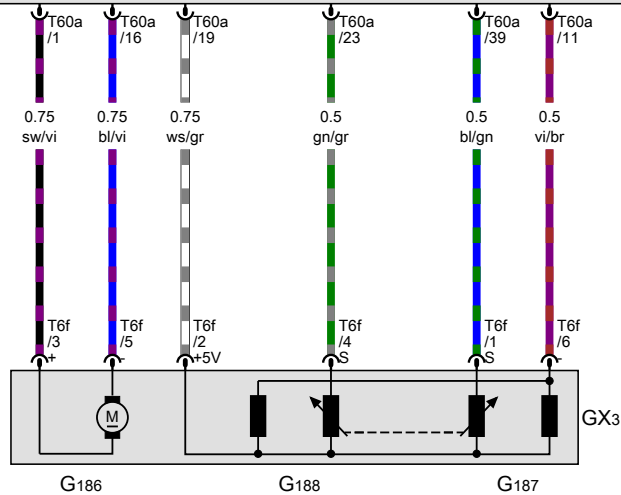
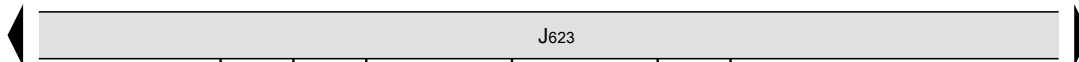
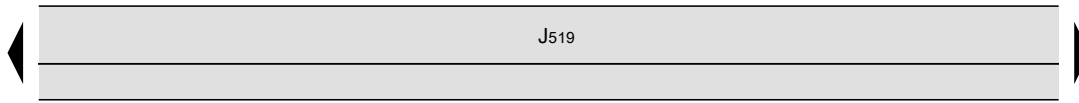
- ws = white
- sw = black
- ro = red
- rt = red
- br = brown
- gn = green
- bl = blue
- gr = grey
- li = purple
- vi = purple
- ge = yellow
- or = orange
- rs = pink

- * Only left-hand drive models
- *2 Only right-hand drive models
- *3 Only models with manual gearbox
- *4 Only models with entry and start authorisation
- *5 Only models with extended servicing intervals (ESI)
- *6 Only models with no entry and start authorisation

[NH0-077110516]

Throttle valve module, Engine control unit

- GX3 Throttle valve module
- G186 Throttle valve drive for electric throttle
- G187 Throttle valve drive angle sender 1 for electric throttle
- G188 Throttle valve drive angle sender 2 for electric throttle
- J519 Onboard supply control unit
- J623 Engine control unit
- T6f 6-pin connector
- T60a 60-pin connector



- ws = white
- sw = black
- ro = red
- rt = red
- br = brown
- gn = green
- bl = blue
- gr = grey
- li = purple
- vi = purple
- ge = yellow
- or = orange
- rs = pink

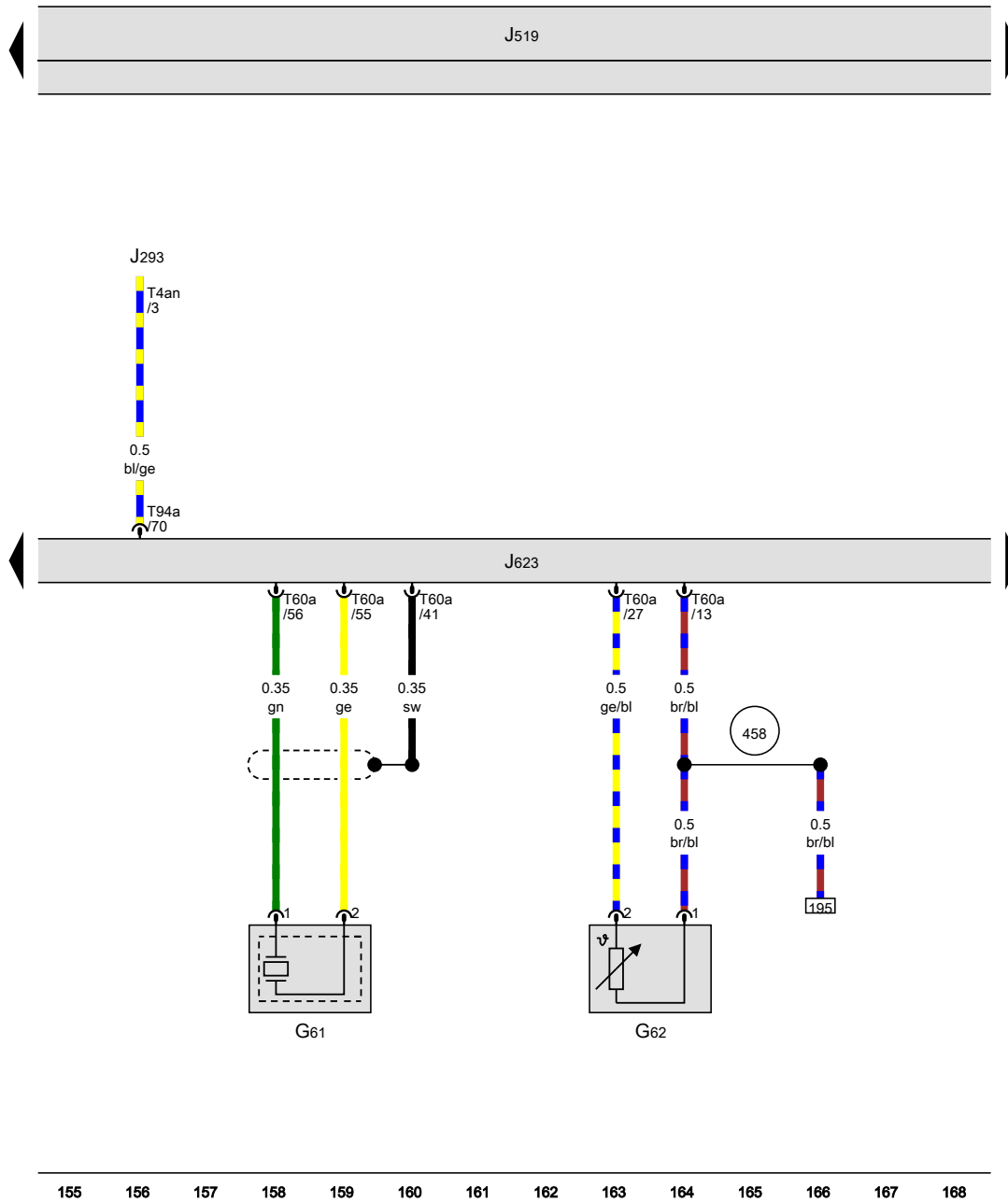
141 142 143 144 145 146 147 148 149 150 151 152 153 154

[NH0-077120516]

Knock sensor 1, Coolant temperature sender, Engine control unit

- G61 Knock sensor 1
- G62 Coolant temperature sender
- J293 Radiator fan control unit
- J519 Onboard supply control unit
- J623 Engine control unit
- T4an 4-pin connector
- T60a 60-pin connector
- T94a 94-pin connector

458 Earth point 3, engine prewiring harness

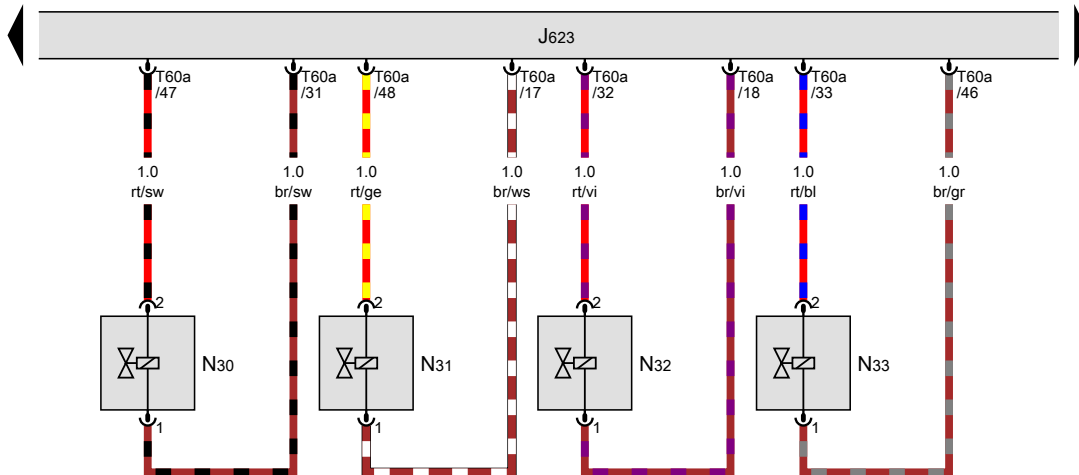
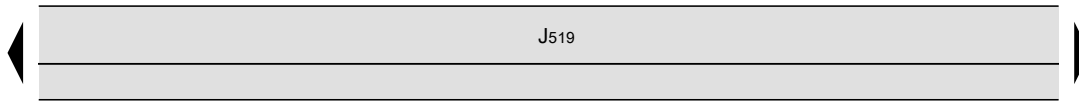


- ws = white
- sw = black
- ro = red
- rt = red
- br = brown
- gn = green
- bl = blue
- gr = grey
- li = purple
- vi = purple
- ge = yellow
- or = orange
- rs = pink

[NH0-077130516]

Engine control unit, Injector, cylinder 1, Injector, cylinder 2, Injector, cylinder 3, Injector, cylinder 4

- J519 Onboard supply control unit
- J623 Engine control unit
- N30 Injector, cylinder 1
- N31 Injector, cylinder 2
- N32 Injector, cylinder 3
- N33 Injector, cylinder 4
- T60a 60-pin connector



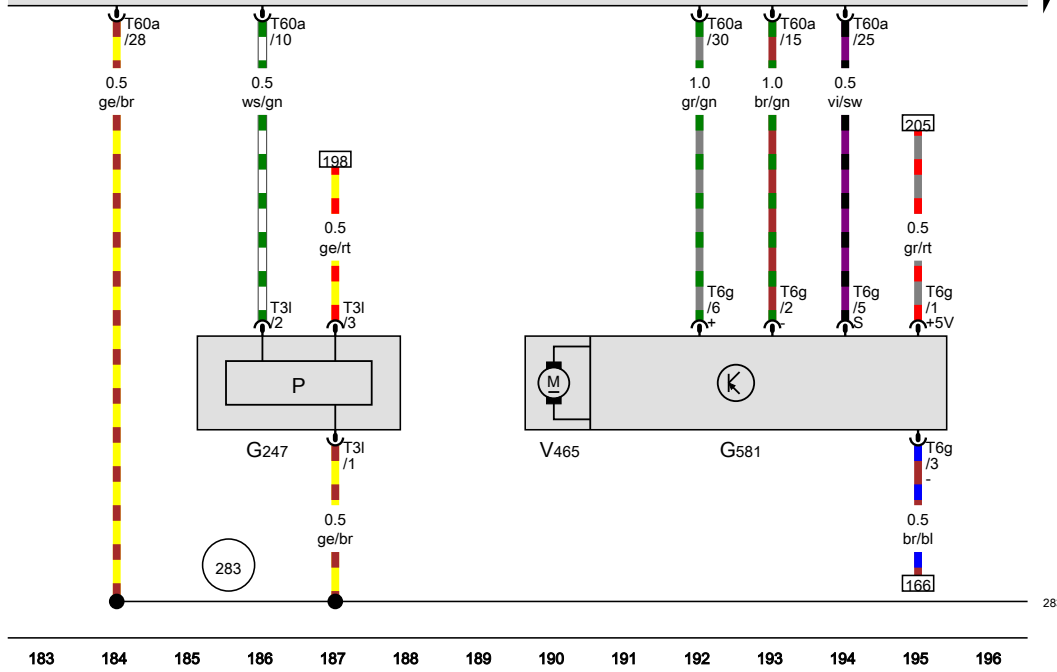
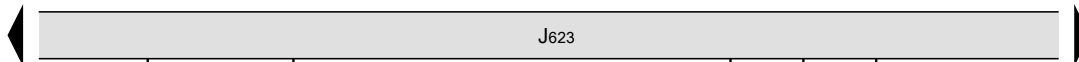
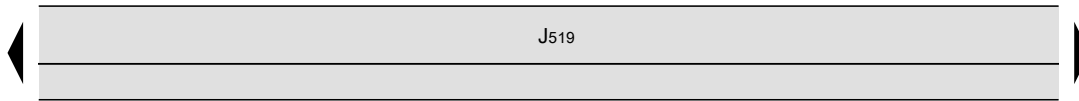
- ws = white
- sw = black
- ro = red
- rt = red
- br = brown
- gn = green
- bl = blue
- gr = grey
- li = purple
- vi = purple
- ge = yellow
- or = orange
- rs = pink

169 170 171 172 173 174 175 176 177 178 179 180 181 182

[NH0-077140516]

Fuel pressure sender, Position sender for charge pressure positioner, Engine control unit, Charge pressure positioner

- G247 Fuel pressure sender
- G581 Position sender for charge pressure positioner
- J519 Onboard supply control unit
- J623 Engine control unit
- T3I 3-pin connector
- T6g 6-pin connector
- T60a 60-pin connector
- V465 Charge pressure positioner
- 283 Earth point 2, engine prewiring harness

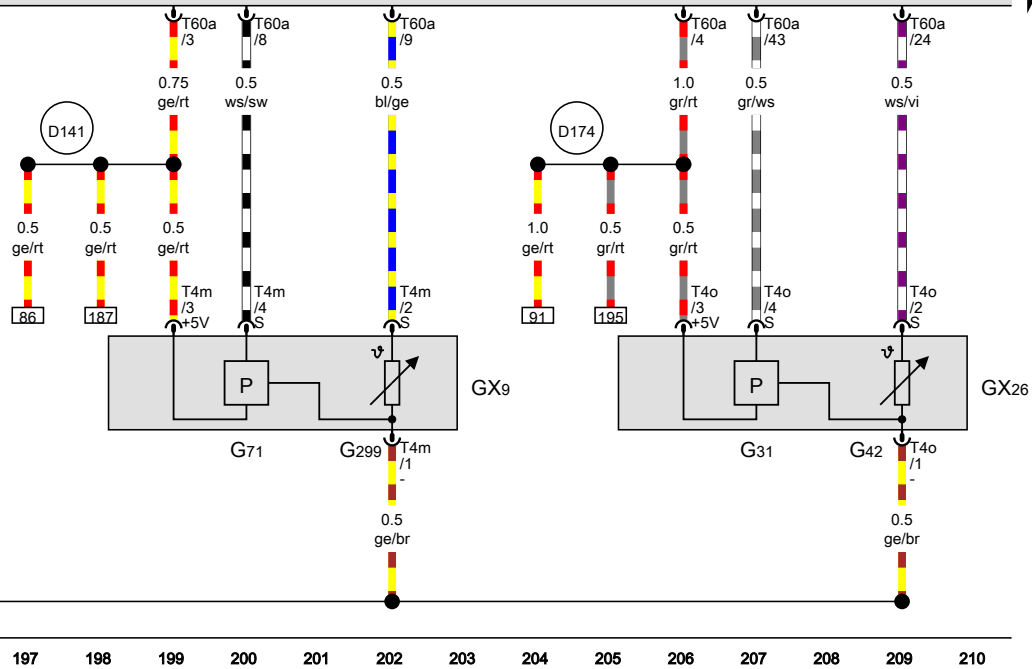
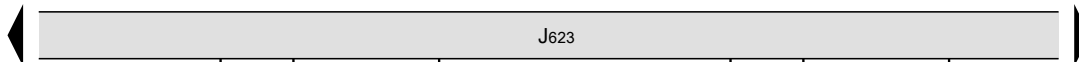
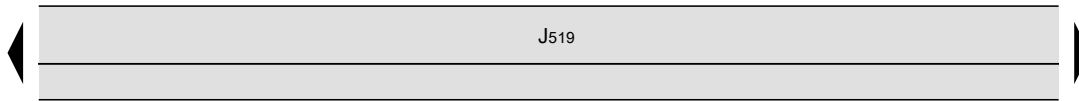


[NH0-077150516]

Intake manifold sender, Charge pressure sender, Engine control unit

- GX9 Intake manifold sender
- GX26 Charge pressure sender
- G31 Charge pressure sender
- G42 Intake air temperature sender
- G71 Intake manifold pressure sender
- G299 Intake air temperature sender 2
- J519 Onboard supply control unit
- J623 Engine control unit
- T4m 4-pin connector
- T4o 4-pin connector
- T60a 60-pin connector

- 283 Earth point 2, engine prewiring harness
- D141 Connection (5V) in engine prewiring harness
- D174 Connection 2 (5V) in engine prewiring harness



- ws = white
- sw = black
- ro = red
- rt = red
- br = brown
- gn = green
- bl = blue
- gr = grey
- li = purple
- vi = purple
- ge = yellow
- or = orange
- rs = pink

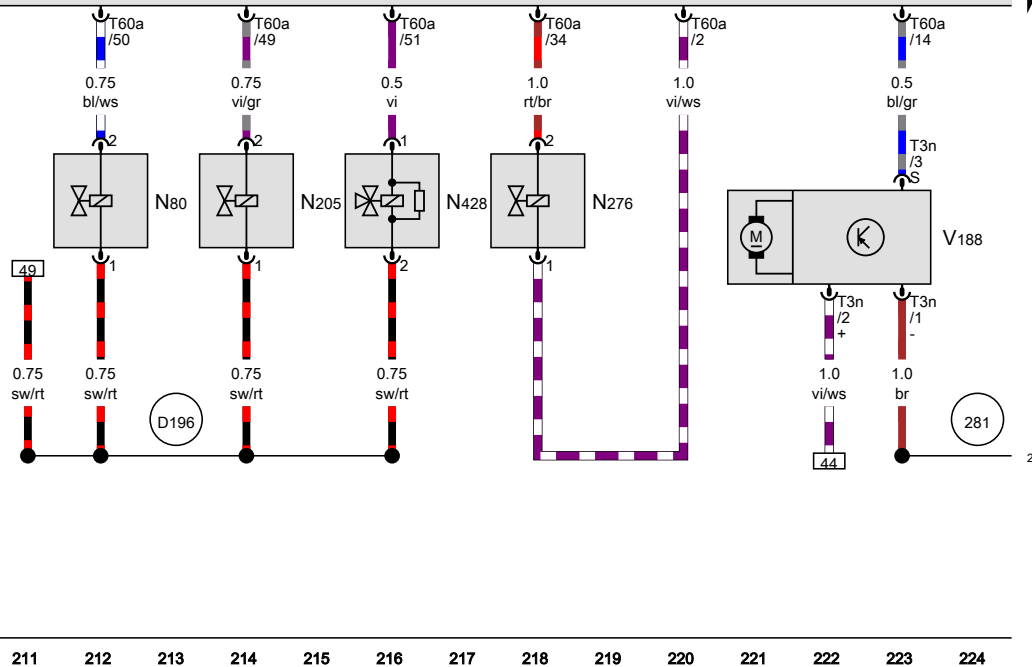
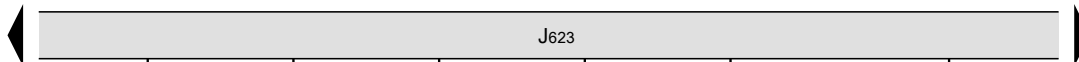
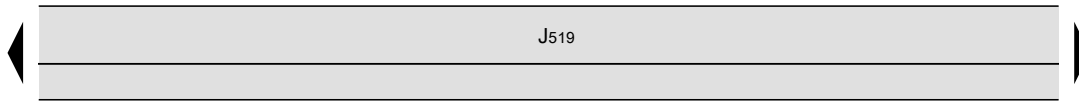
[NH0-077160516]

Engine control unit, Activated charcoal filter solenoid valve 1, Camshaft control valve 1, Fuel pressure regulating valve, Valve for oil pressure control, Charge air cooling pump

- J519 Onboard supply control unit
- J623 Engine control unit
- N80 Activated charcoal filter solenoid valve 1
- N205 Camshaft control valve 1
- N276 Fuel pressure regulating valve
- N428 Valve for oil pressure control
- T3n 3-pin connector
- T60a 60-pin connector
- V188 Charge air cooling pump

281 Earth point 1, engine prewiring harness

D196 Connection 2 (87a) in engine prewiring harness



- ws = white
- sw = black
- ro = red
- rt = red
- br = brown
- gn = green
- bl = blue
- gr = grey
- li = purple
- vi = purple
- ge = yellow
- or = orange
- rs = pink

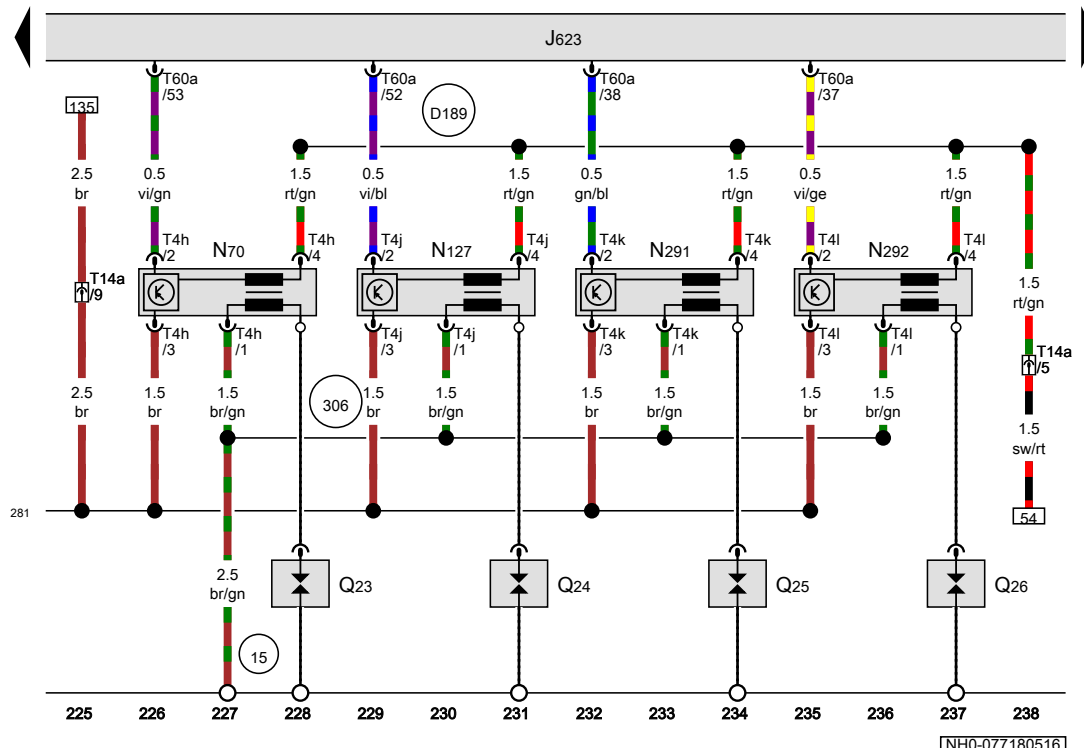
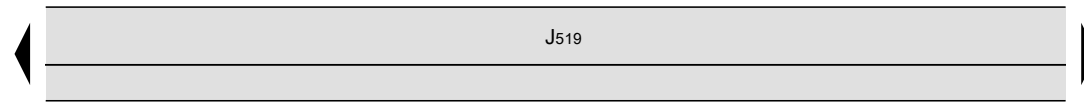
211 212 213 214 215 216 217 218 219 220 221 222 223 224

[NH0-077170516]

Engine control unit, Ignition coil 1 with output stage, Ignition coil 2 with output stage, Ignition coil 3 with output stage, Ignition coil 4 with output stage

- J519 Onboard supply control unit
- J623 Engine control unit
- N70 Ignition coil 1 with output stage
- N127 Ignition coil 2 with output stage
- N291 Ignition coil 3 with output stage
- N292 Ignition coil 4 with output stage
- Q23 Spark plug 1
- Q24 Spark plug 2
- Q25 Spark plug 3
- Q26 Spark plug 4
- T4h 4-pin connector
- T4j 4-pin connector
- T4k 4-pin connector
- T4l 4-pin connector
- T14a 14-pin connector, front left in engine compartment
- T60a 60-pin connector

- 15 Earth point, on cylinder head
- 281 Earth point 1, engine prewiring harness
- 306 Earth connection (ignition coils), in engine prewiring harness
- D189 Connection (87a) in engine prewiring harness

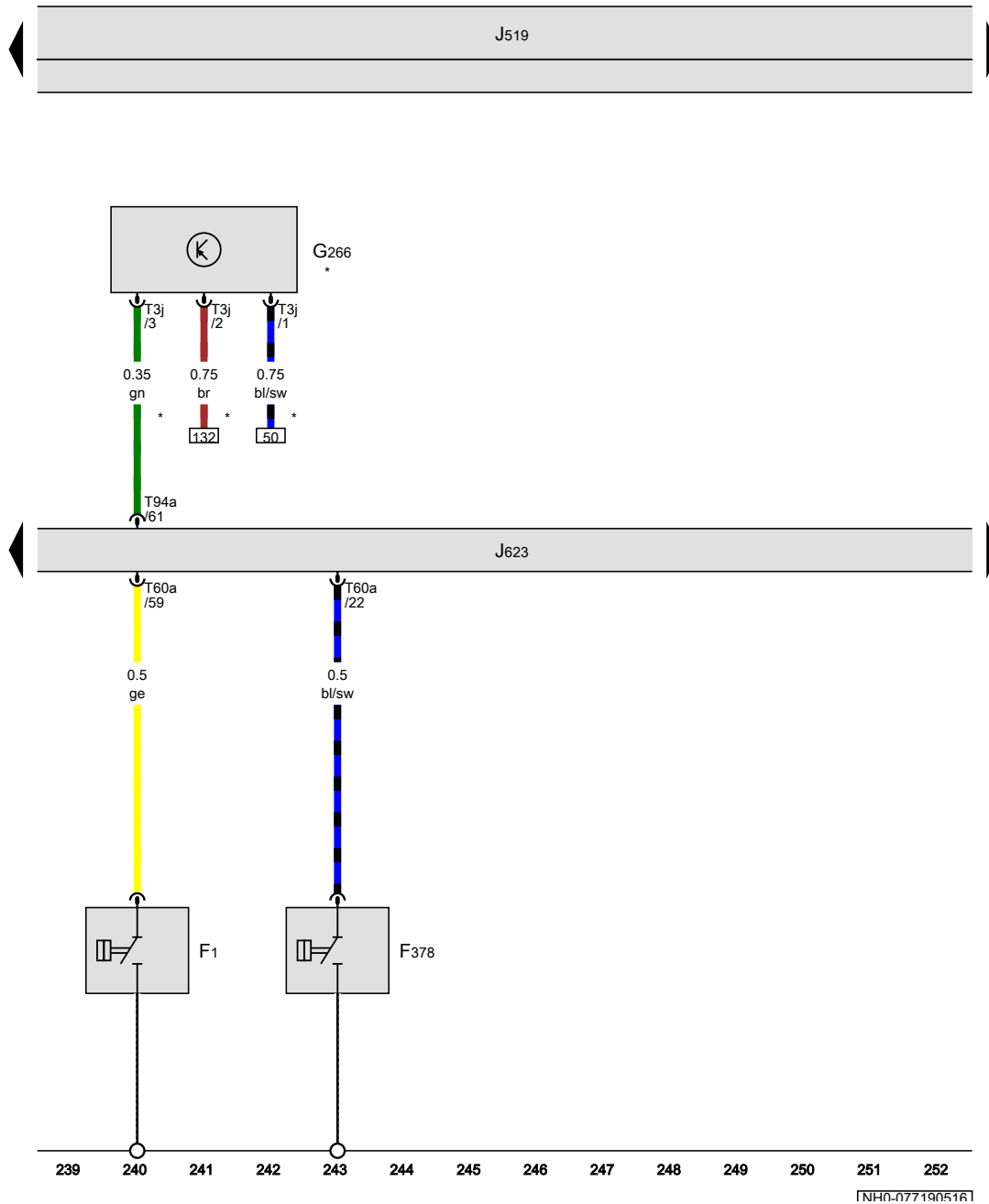


- ws = white
- sw = black
- ro = red
- rt = red
- br = brown
- gn = green
- bl = blue
- gr = grey
- li = purple
- vi = purple
- ge = yellow
- or = orange
- rs = pink

[NH0-077180516]

Oil pressure switch, Oil pressure switch for reduced oil pressure, Oil level and oil temperature sender, Engine control unit

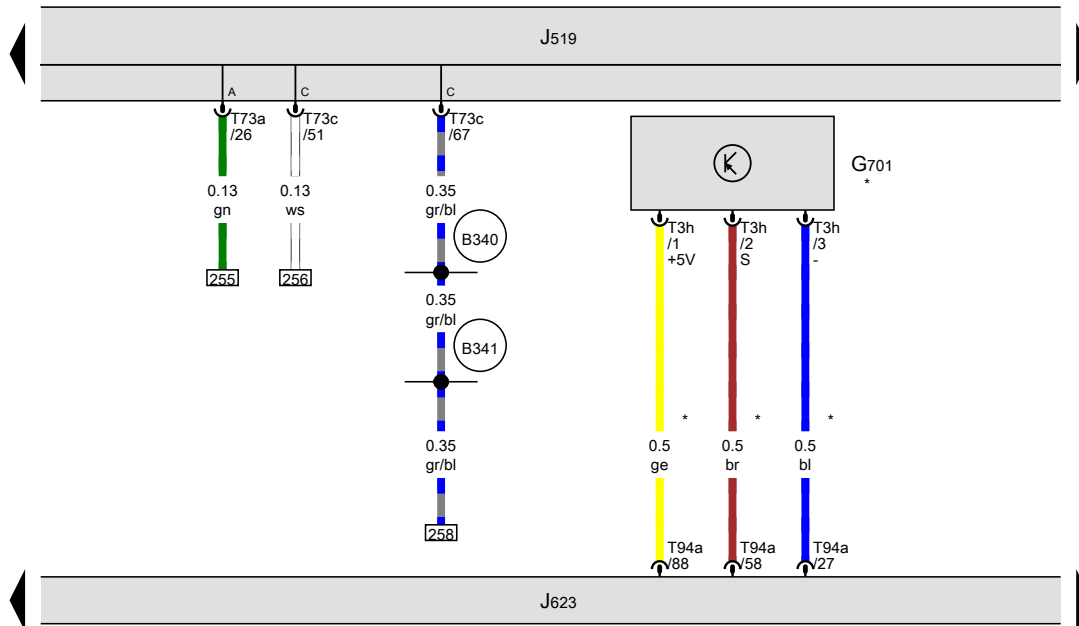
- F1 Oil pressure switch
- F378 Oil pressure switch for reduced oil pressure
- G266 Oil level and oil temperature sender
- J519 Onboard supply control unit
- J623 Engine control unit
- T3j 3-pin connector
- T60a 60-pin connector
- T94a 94-pin connector
- * Only models with extended servicing intervals (ESI)



- ws = white
- sw = black
- ro = red
- rt = red
- br = brown
- gn = green
- bl = blue
- gr = grey
- li = purple
- vi = purple
- ge = yellow
- or = orange
- rs = pink

[NH0-077190516]

Centre switch module in dash panel, Start/Stop operation button, Gearbox neutral position sender, Engine control unit

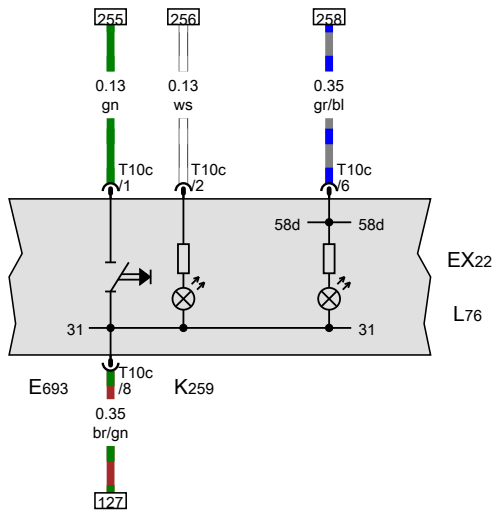


- EX22 Centre switch module in dash panel
- E693 Start/Stop operation button
- G701 Gearbox neutral position sender
- J519 Onboard supply control unit
- J623 Engine control unit
- K259 Start/Stop operation warning lamp
- L76 Button illumination bulb
- T3h 3-pin connector
- T10c 10-pin connector, black
- T73a 73-pin connector, black
- T73c 73-pin connector, black
- T94a 94-pin connector

B340 Connection 1 (58d), in main wiring harness

B341 Connection 2 (58d), in main wiring harness

* Only models with manual gearbox



- ws = white
- sw = black
- ro = red
- rt = red
- br = brown
- gn = green
- bl = blue
- gr = grey
- li = purple
- vi = purple
- ge = yellow
- or = orange
- rs = pink

253 254 255 256 257 258 259 260 261 262 263 264 265 266

[NH0-077200516]

Fuel delivery unit, Fuel pump control unit, Engine control unit

- G Fuel gauge sender
- GX1 Fuel delivery unit
- G6 Fuel system pressurisation pump
- J519 Onboard supply control unit
- J538 Fuel pump control unit
- J623 Engine control unit
- T5a 5-pin connector
- T10j 10-pin connector
- T94a 94-pin connector

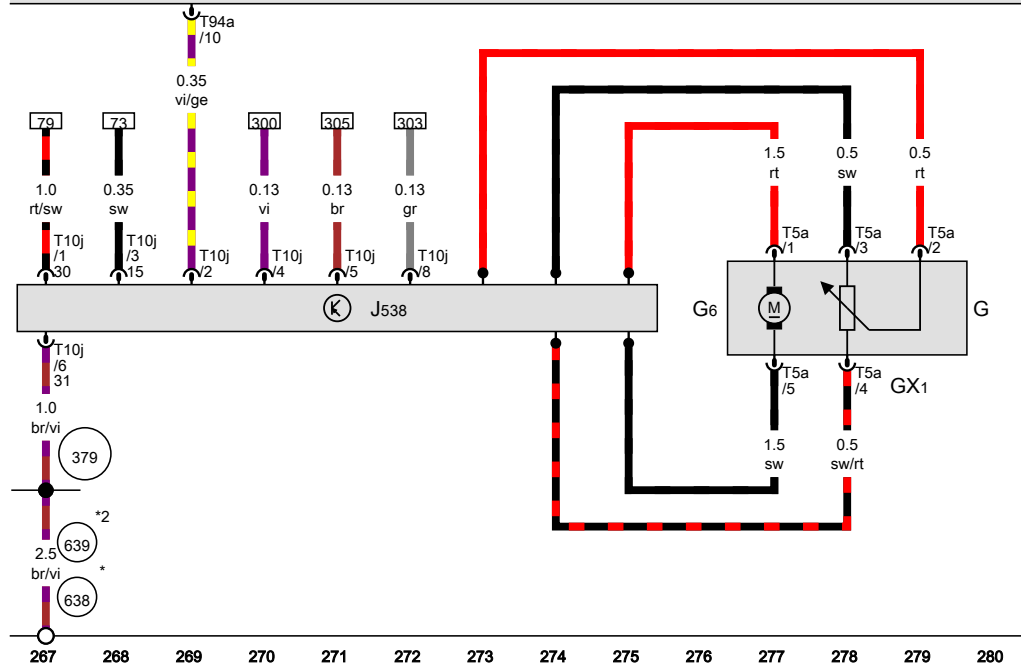
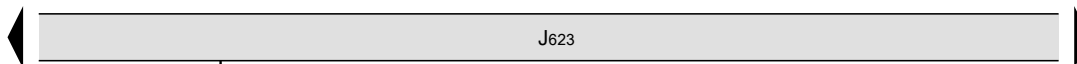
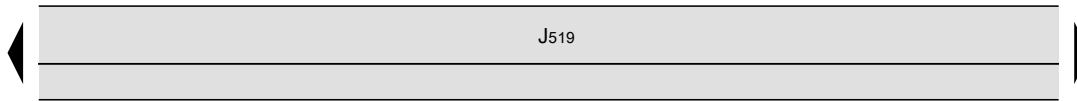
379 Earth connection 14, in main wiring harness

638 Earth point, on right A-pillar

639 Earth point, left A-pillar

* Only left-hand drive models

*2 Only right-hand drive models



- ws = white
- sw = black
- ro = red
- rt = red
- br = brown
- gn = green
- bl = blue
- gr = grey
- li = purple
- vi = purple
- ge = yellow
- or = orange
- rs = pink

[NH0-077210516]

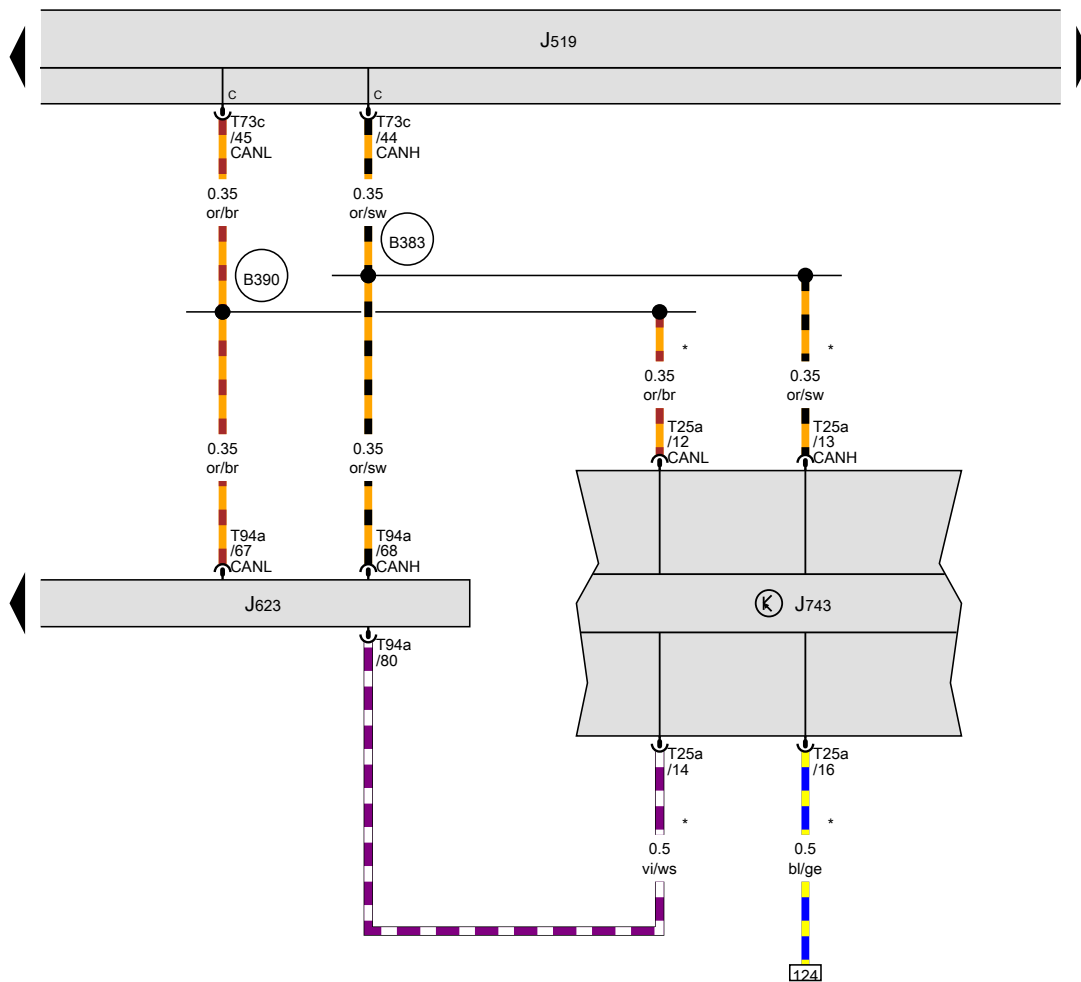
Engine control unit, Mechatronic unit for dual clutch gearbox

- J519 Onboard supply control unit
- J623 Engine control unit
- J743 Mechatronic unit for dual clutch gearbox
- T25a 25-pin connector
- T73c 73-pin connector, black
- T94a 94-pin connector

B383 Connection 1 (powertrain CAN bus, high), in main wiring harness

B390 Connection 1 (powertrain CAN bus, low), in main wiring harness

* Only models with automatic gearbox



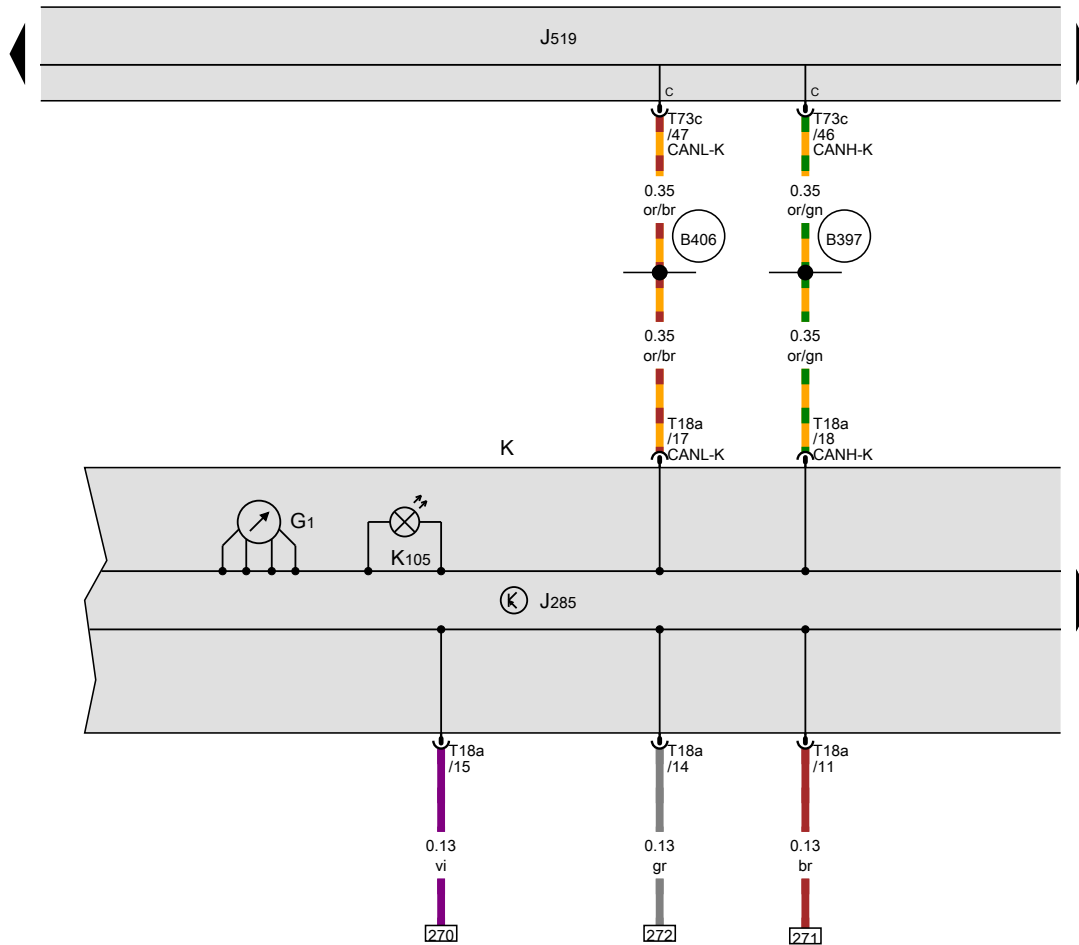
- ws = white
- sw = black
- ro = red
- rt = red
- br = brown
- gn = green
- bl = blue
- gr = grey
- li = purple
- vi = purple
- ge = yellow
- or = orange
- rs = pink

281 282 283 284 285 286 287 288 289 290 291 292 293 294

[NH0-077220516]

Fuel gauge, Dash panel insert

- G1 Fuel gauge
- J285 Control unit in dash panel insert
- J519 Onboard supply control unit
- K Dash panel insert
- K105 Reserve fuel warning lamp
- T18a 18-pin connector
- T73c 73-pin connector, black
- B397 Connection 1 (convenience CAN bus, high), in main wiring harness
- B406 Connection 1 (convenience CAN bus, low), in main wiring harness



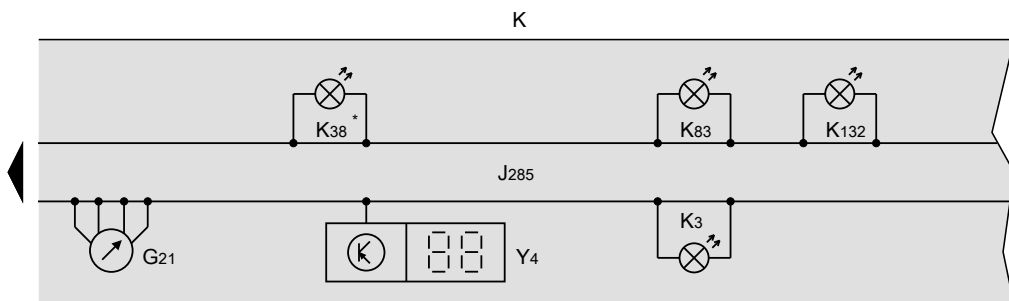
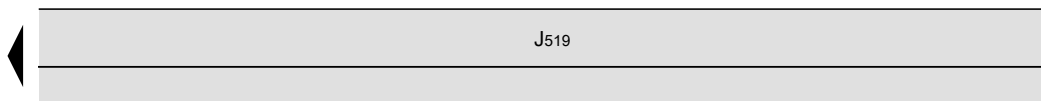
- ws = white
- sw = black
- ro = red
- rt = red
- br = brown
- gn = green
- bl = blue
- gr = grey
- li = purple
- vi = purple
- ge = yellow
- or = orange
- rs = pink

295 296 297 298 299 300 301 302 303 304 305 306 307 308

[NH0-077230516]

Speedometer, Dash panel insert, Trip counter

- G21 Speedometer
- J285 Control unit in dash panel insert
- J519 Onboard supply control unit
- K Dash panel insert
- K3 Oil pressure warning lamp
- K38 Oil level warning lamp
- K83 Exhaust emissions warning lamp
- K132 Electronic power control fault lamp
- Y4 Trip counter
- * Only models with extended servicing intervals (ESI)



- ws = white
- sw = black
- ro = red
- rt = red
- br = brown
- gn = green
- bl = blue
- gr = grey
- li = purple
- vi = purple
- ge = yellow
- or = orange
- rs = pink

309 310 311 312 313 314 315 316 317 318 319 320 321 322

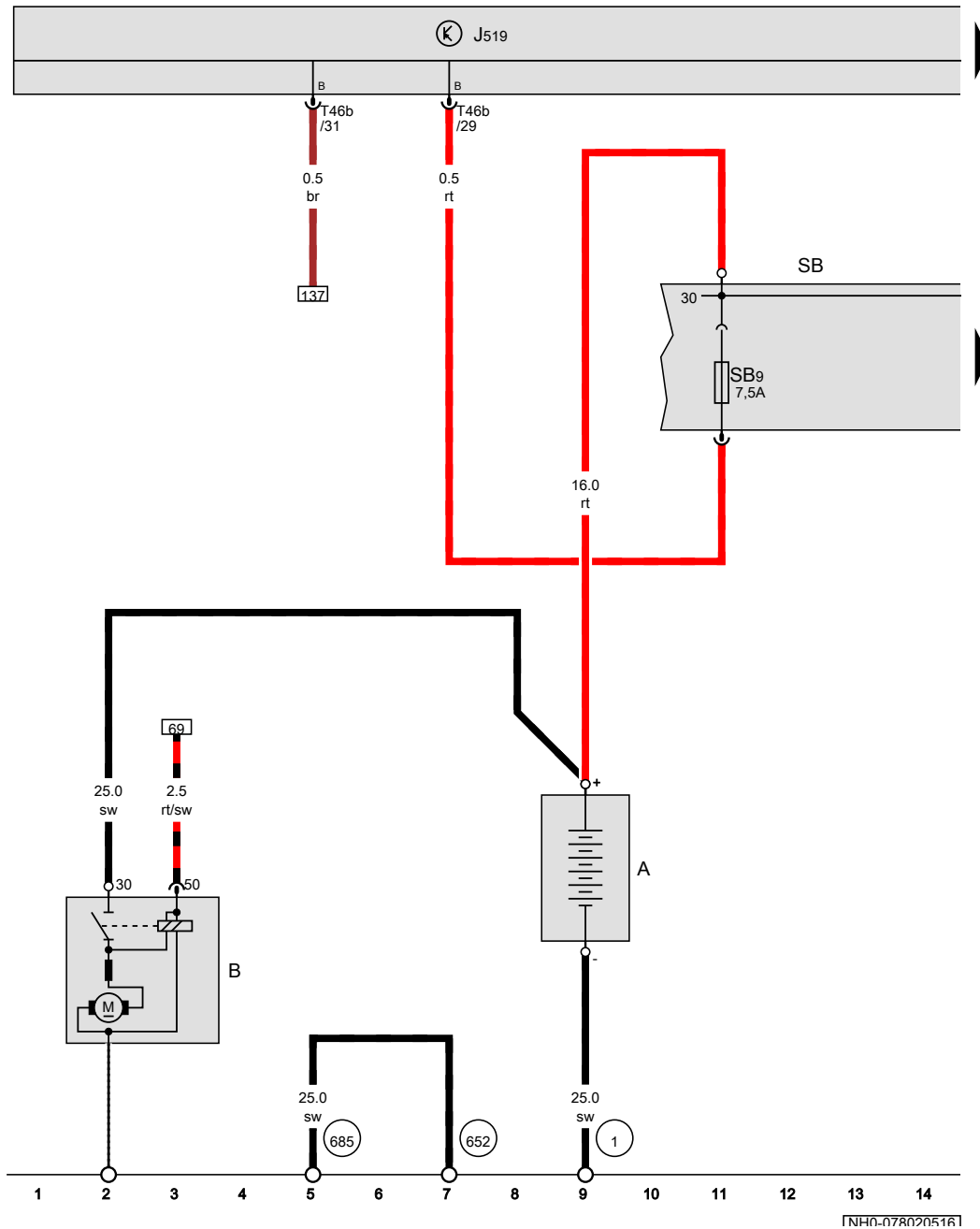
[NH0-077240516]

1.6l petrol engine , CWVB,CWVA,(7L3)

From November 2015

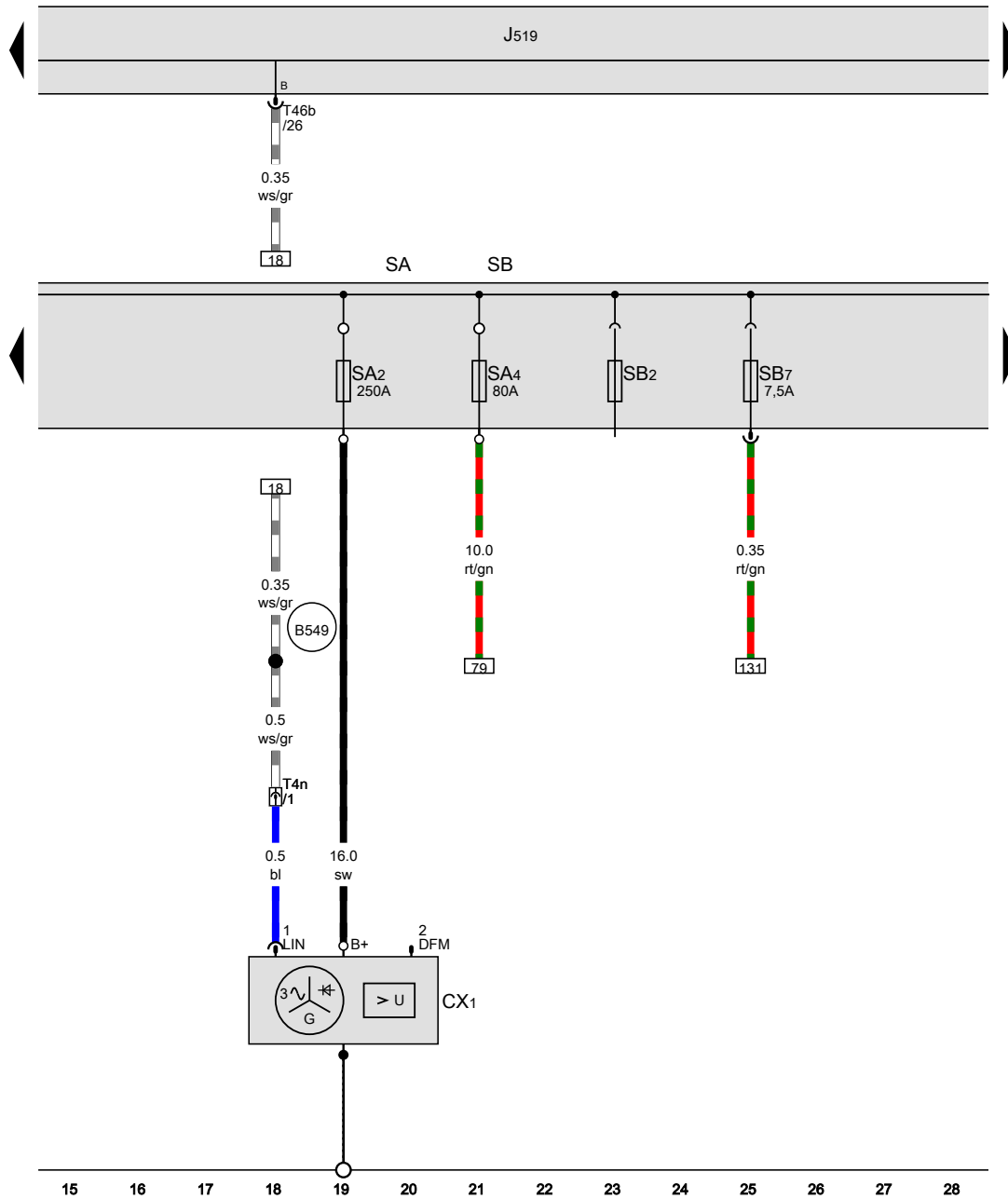
Battery, Starter, Fuse holder B

- A Battery
 - B Starter
 - J519 Onboard supply control unit
 - SB Fuse holder B
 - SB9 Fuse 9 on fuse holder B
 - T46b 46-pin connector, brown
- 1 Earth strap, battery - body
 - 652 Earth point, engine and gearbox earth
 - 685 Earth point 1 at front of right longitudinal member



- ws = white
- sw = black
- ro = red
- rt = red
- br = brown
- gn = green
- bl = blue
- gr = grey
- li = purple
- vi = purple
- ge = yellow
- or = orange
- rs = pink

[NH0-078020516]



Alternator with voltage regulator, Fuse holder A, Fuse holder B

- CX1 Alternator with voltage regulator
- J519 Onboard supply control unit
- SA Fuse holder A
- SA2 Fuse 2 in fuse holder A
- SB2 Fuse 2 on fuse holder B
- SA4 Fuse 4 in fuse holder A
- SB Fuse holder B
- SB7 Fuse 7 on fuse holder B
- T4n 4-pin connector, front left in engine compartment
- T46b 46-pin connector, brown

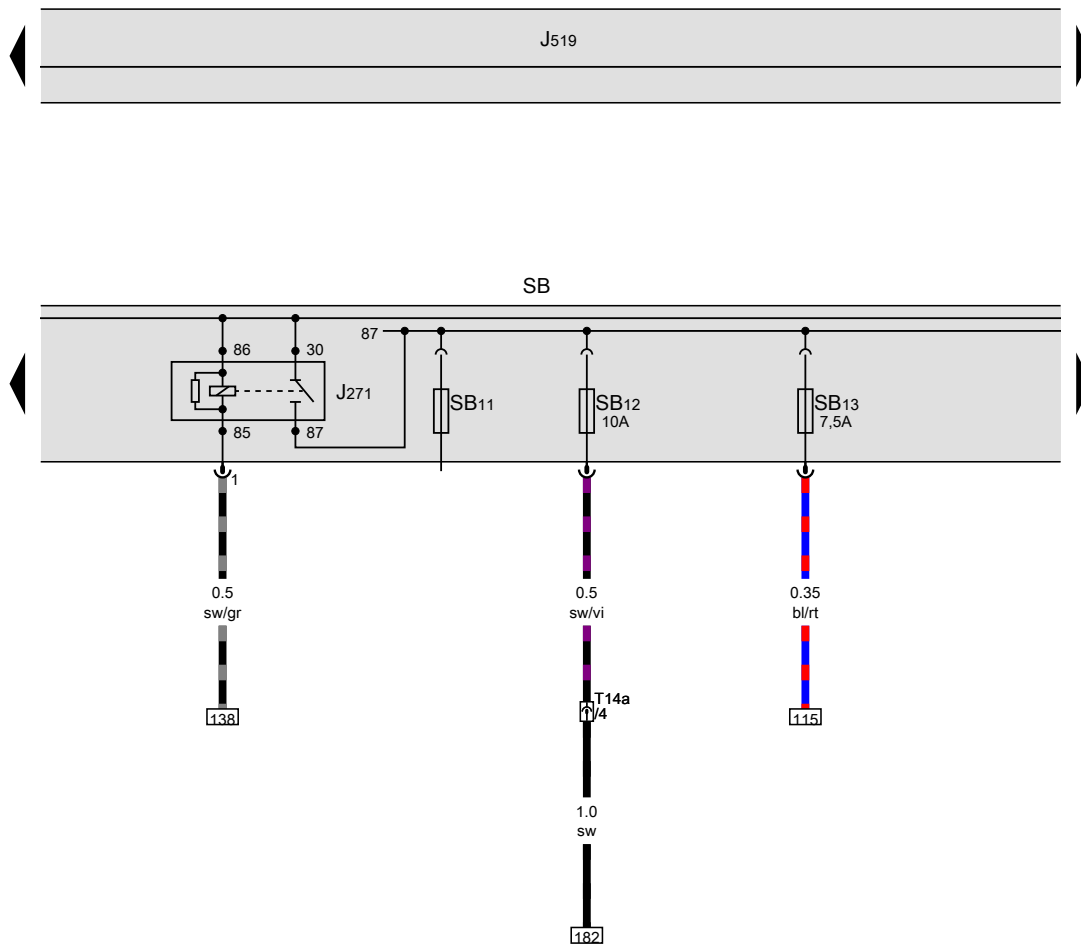
B549 Connection 2 (LIN bus) in main wiring harness

- ws = white
- sw = black
- ro = red
- rt = red
- br = brown
- gn = green
- bl = blue
- gr = grey
- li = purple
- vi = purple
- ge = yellow
- or = orange
- rs = pink

[NH0-078030516]

Main relay, Fuse holder B

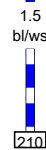
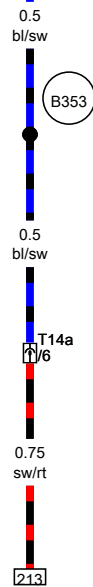
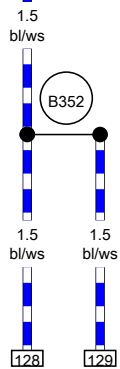
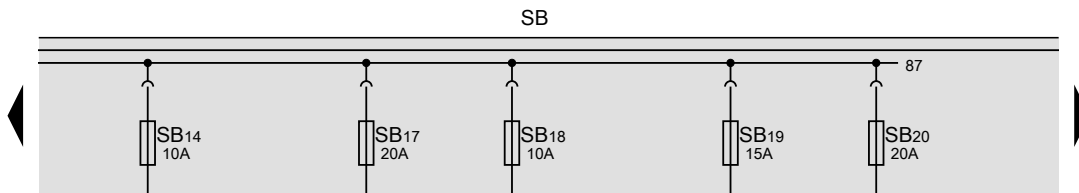
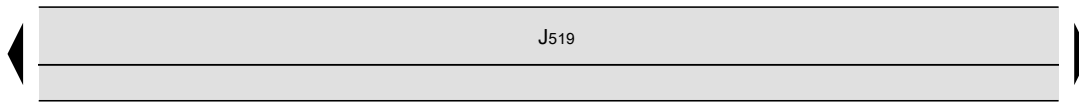
- J271 Main relay
- J519 Onboard supply control unit
- SB Fuse holder B
- SB11 Fuse 11 on fuse holder B
- SB12 Fuse 12 on fuse holder B
- SB13 Fuse 13 on fuse holder B
- T14a 14-pin connector, front left in engine compartment



- ws = white
- sw = black
- ro = red
- rt = red
- br = brown
- gn = green
- bl = blue
- gr = grey
- li = purple
- vi = purple
- ge = yellow
- or = orange
- rs = pink

29 30 31 32 33 34 35 36 37 38 39 40 41 42

[NH0-078040516]



Fuse holder B

- J519 Onboard supply control unit
- SB Fuse holder B
- SB14 Fuse 14 on fuse holder B
- SB17 Fuse 17 on fuse holder B
- SB18 Fuse 18 on fuse holder B
- SB19 Fuse 19 on fuse holder B
- SB20 Fuse 20 on fuse holder B
- T14a 14-pin connector, front left in engine compartment

B352 Positive connection 3 (87a) in main wiring harness

B353 Positive connection 4 (87a) in main wiring harness

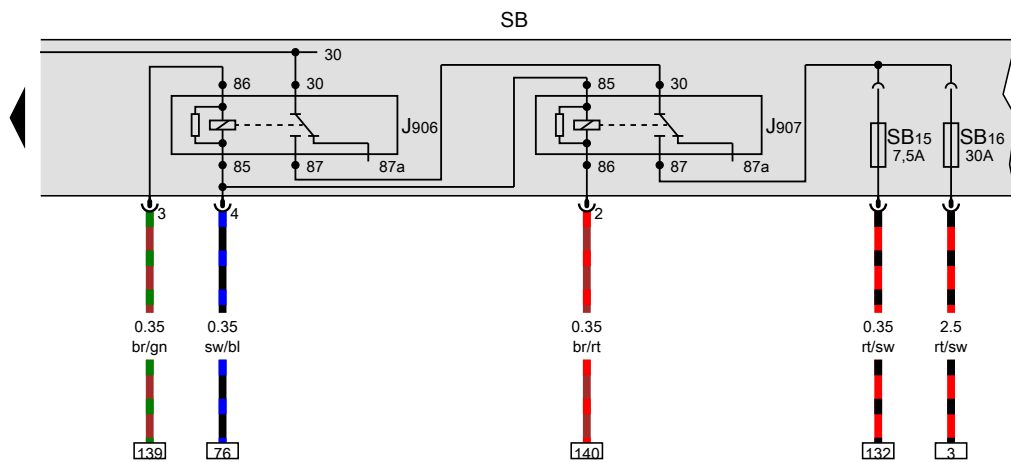
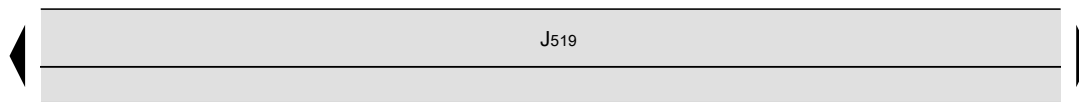
- ws = white
- sw = black
- ro = red
- rt = red
- br = brown
- gn = green
- bl = blue
- gr = grey
- li = purple
- vi = purple
- ge = yellow
- or = orange
- rs = pink

43 44 45 46 47 48 49 50 51 52 53 54 55 56

[NH0-078050516]

Starter relay 1, Starter relay 2, Fuse holder B

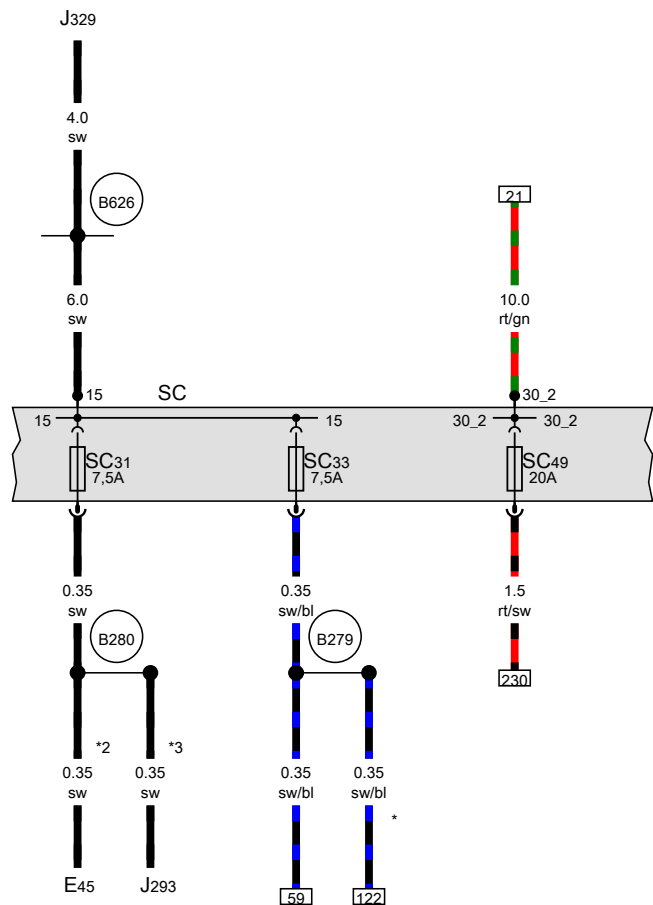
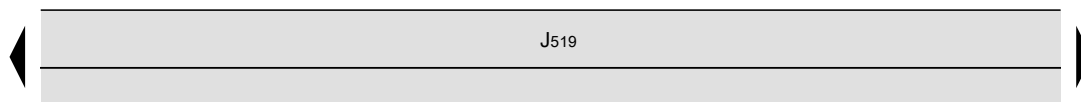
- J519 Onboard supply control unit
- J906 Starter relay 1
- J907 Starter relay 2
- SB Fuse holder B
- SB15 Fuse 15 on fuse holder B
- SB16 Fuse 16 on fuse holder B



- ws = white
- sw = black
- ro = red
- rt = red
- br = brown
- gn = green
- bl = blue
- gr = grey
- li = purple
- vi = purple
- ge = yellow
- or = orange
- rs = pink

57 58 59 60 61 62 63 64 65 66 67 68 69 70

[NH0-078060516]



Fuse holder C

- E45 Cruise control system switch
- J293 Radiator fan control unit
- J329 Terminal 15 voltage supply relay
- J519 Onboard supply control unit
- SC Fuse holder C
- SC31 Fuse 31 on fuse holder C
- SC33 Fuse 33 on fuse holder C
- SC49 Fuse 49 on fuse holder C

B279 Positive connection 3 (15a) in main wiring harness

B280 Positive connection 4 (15a) in main wiring harness

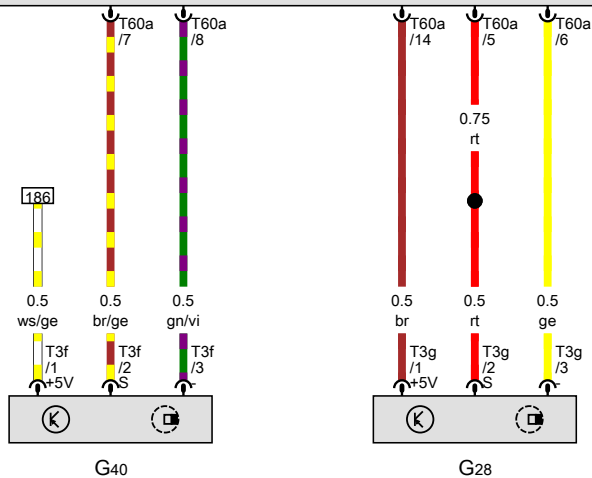
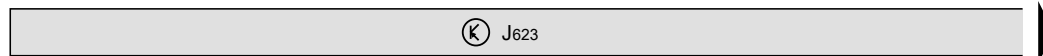
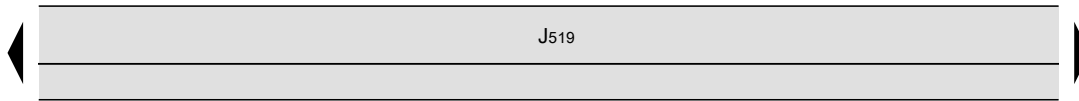
B626 Positive connection 2 (15), in main wiring harness

- * Only models with manual gearbox
- *2 Only models with cruise control system (CCS)
- *3 Only models with air conditioning system/ Climatronic

- ws = white
- sw = black
- ro = red
- rt = red
- br = brown
- gn = green
- bl = blue
- gr = grey
- li = purple
- vi = purple
- ge = yellow
- or = orange
- rs = pink

Engine speed sender, Hall sender, Engine control unit

- G28 Engine speed sender
- G40 Hall sender
- J519 Onboard supply control unit
- J623 Engine control unit
- T3f 3-pin connector
- T3g 3-pin connector
- T60a 60-pin connector



- ws = white
- sw = black
- ro = red
- rt = red
- br = brown
- gn = green
- bl = blue
- gr = grey
- li = purple
- vi = purple
- ge = yellow
- or = orange
- rs = pink

85 86 87 88 89 90 91 92 93 94 95 96 97 98

[NH0-078080516]

Lambda probe 1 after catalytic converter, Lambda probe 1 before catalytic converter, Engine control unit

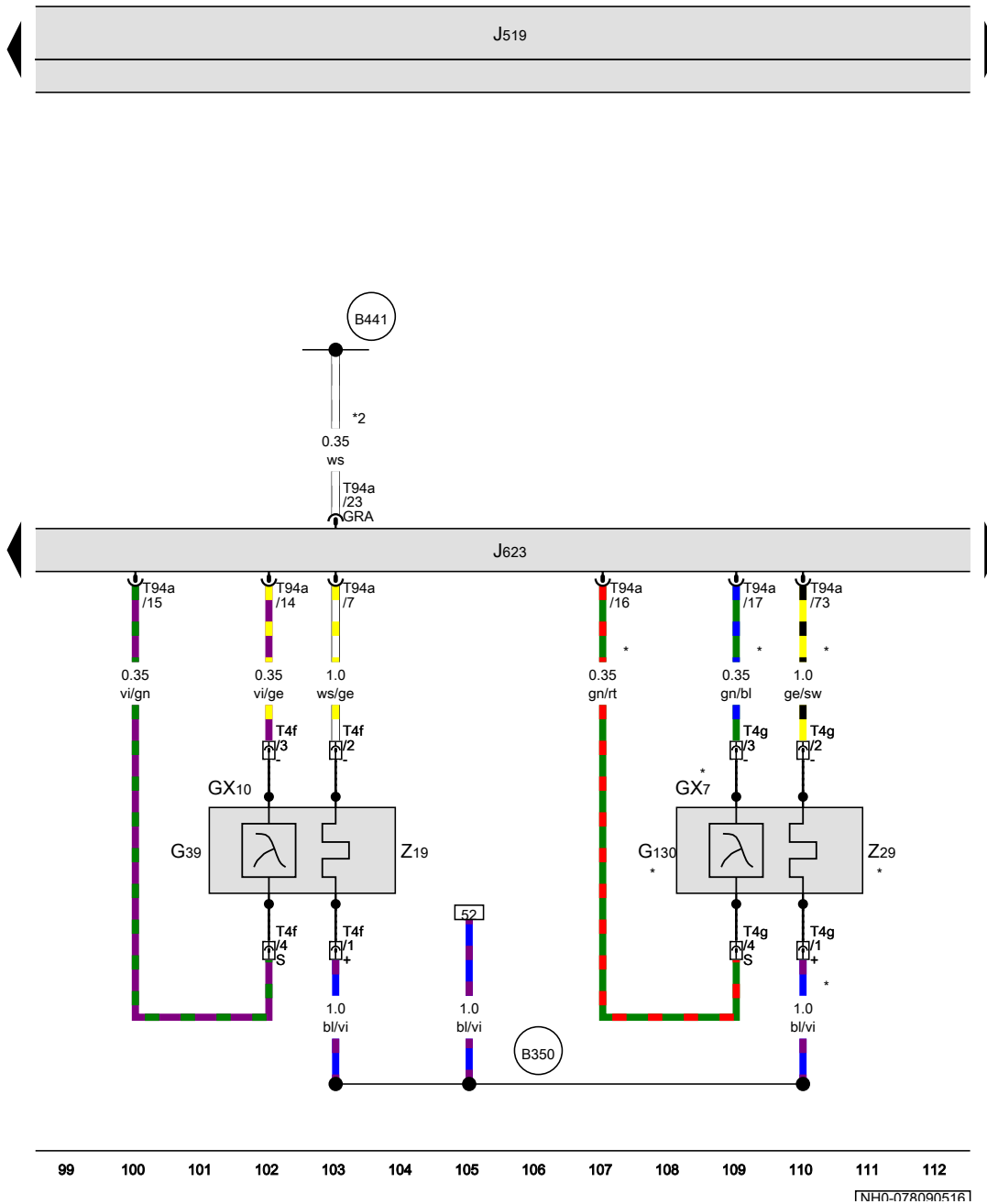
- GX7 Lambda probe 1 after catalytic converter
- GX10 Lambda probe 1 before catalytic converter
- G39 Lambda probe
- G130 Lambda probe after catalytic converter
- J519 Onboard supply control unit
- J623 Engine control unit
- T4f 4-pin connector, brown
- T4g 4-pin connector, black
- T94a 94-pin connector
- Z19 Lambda probe heater
- Z29 Lambda probe 1 heater after catalytic converter

B350 Positive connection 1 (87a) in main wiring harness

B441 Connection (CCS), in main wiring harness

* According to equipment

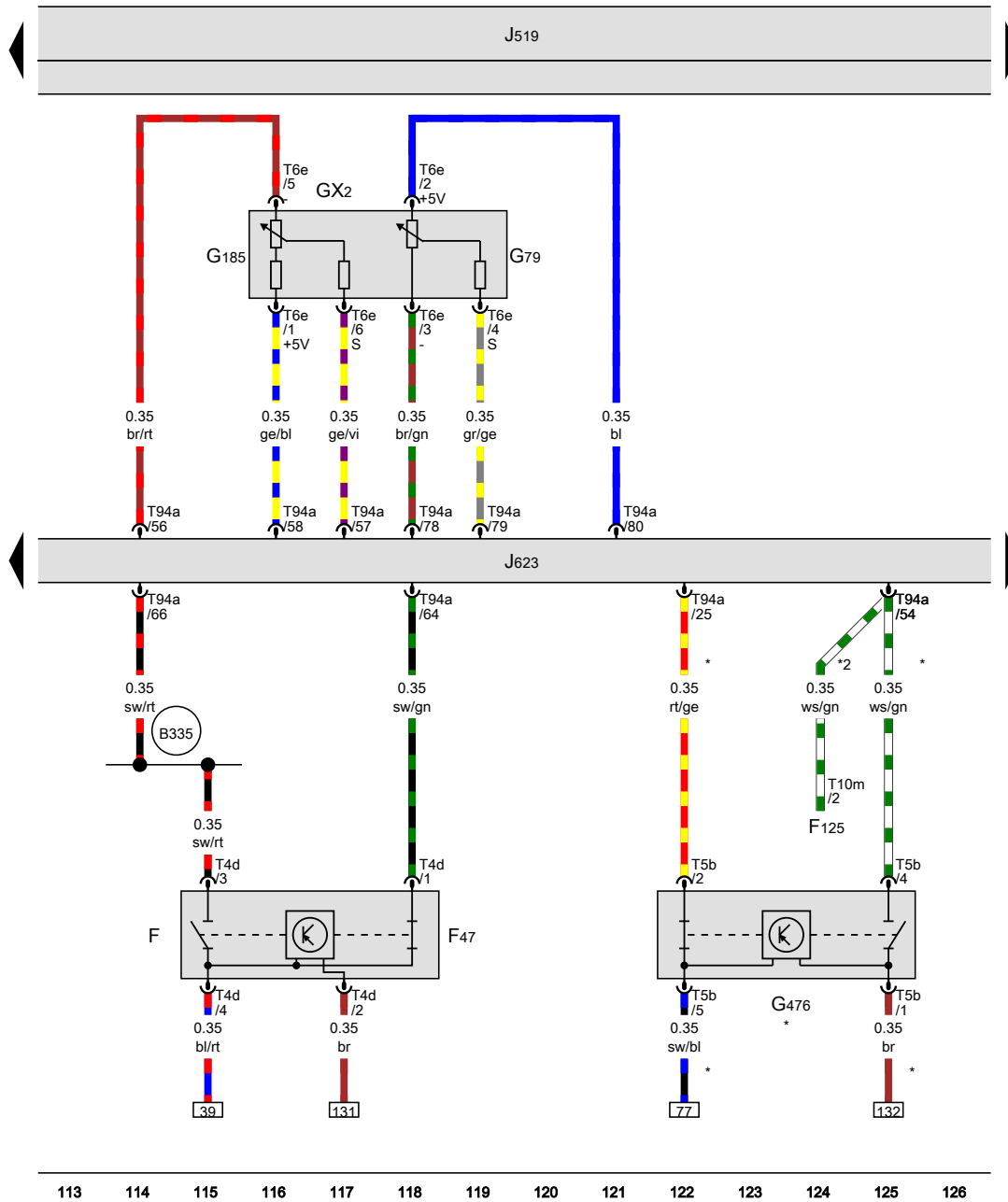
*2 Only models with cruise control system (CCS)



1NH0-0780905161

Brake pedal switch, Accelerator pedal module, Clutch position sender, Engine control unit

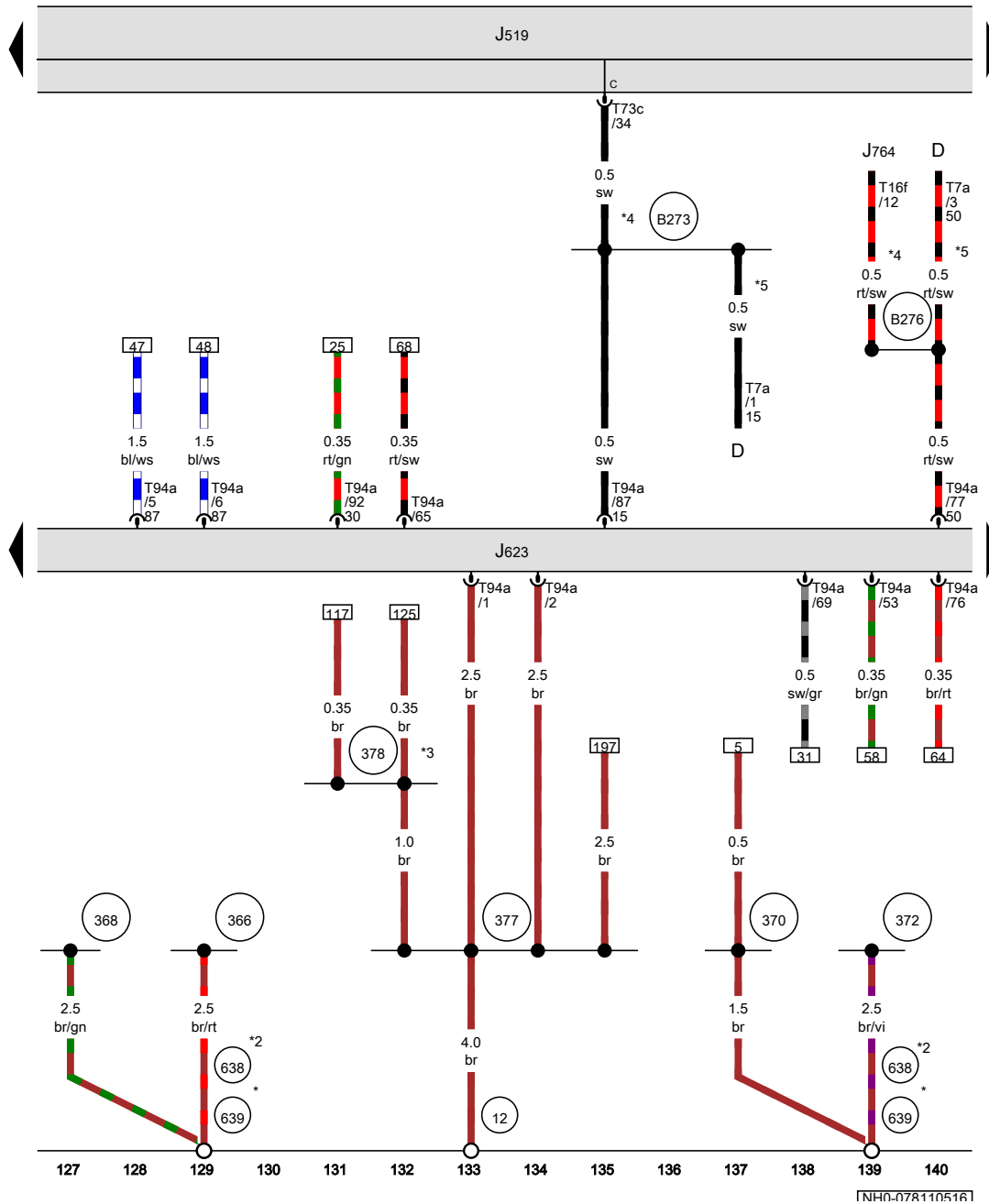
- F Brake light switch
- F47 Brake pedal switch
- F125 Multifunction switch
- GX2 Accelerator pedal module
- G79 Accelerator position sender
- G185 Accelerator position sender 2
- G476 Clutch position sender
- J519 Onboard supply control unit
- J623 Engine control unit
- T4d 4-pin connector
- T5b 5-pin connector
- T6e 6-pin connector
- T10m 10-pin connector
- T94a 94-pin connector
- B335** Connection 1 (54), in main wiring harness
- * Only models with manual gearbox
- *2 Only models with automatic gearbox



- ws = white
- sw = black
- ro = red
- rt = red
- br = brown
- gn = green
- bl = blue
- gr = grey
- li = purple
- vi = purple
- ge = yellow
- or = orange
- rs = pink

113 114 115 116 117 118 119 120 121 122 123 124 125 126

[NH0-078100516]



[NH0-078110516]

Engine control unit

- D Ignition/starter switch
- J519 Onboard supply control unit
- J623 Engine control unit
- J764 Control unit for electronic steering column lock
- T7a 7-pin connector
- T16f 16-pin connector
- T73c 73-pin connector, black
- T94a 94-pin connector

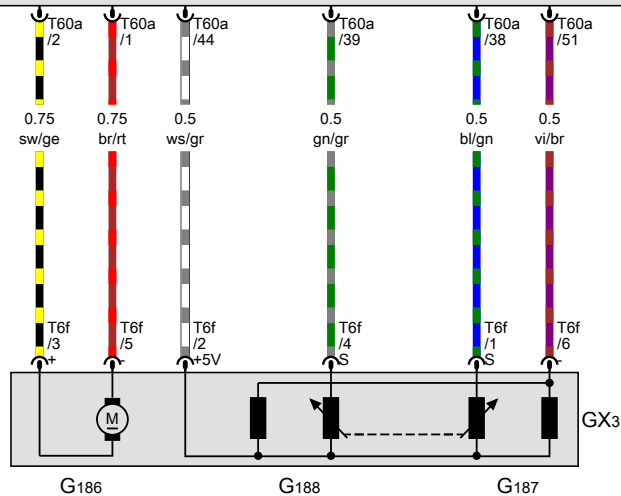
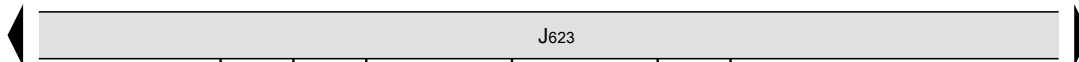
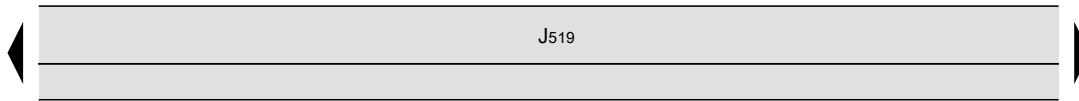
- 12 Earth point, on left in engine compartment
- 366 Earth connection 1, in main wiring harness
- 368 Earth connection 3, in main wiring harness
- 370 Earth connection 5, in main wiring harness
- 372 Earth connection 7, in main wiring harness
- 377 Earth connection 12, in main wiring harness
- 378 Earth connection 13, in main wiring harness
- 638 Earth point, on right A-pillar
- 639 Earth point, left A-pillar
- B273 Positive connection (15), in main wiring harness
- B276 Positive connection (50), in main wiring harness

- ws = white
- sw = black
- ro = red
- rt = red
- br = brown
- gn = green
- bl = blue
- gr = grey
- li = purple
- vi = purple
- ge = yellow
- or = orange
- rs = pink

- * Only left-hand drive models
- *2 Only right-hand drive models
- *3 Only models with manual gearbox
- *4 Only models with entry and start authorisation
- *5 Only models with no entry and start authorisation

Throttle valve module, Engine control unit

- GX3 Throttle valve module
- G186 Throttle valve drive for electric throttle
- G187 Throttle valve drive angle sender 1 for electric throttle
- G188 Throttle valve drive angle sender 2 for electric throttle
- J519 Onboard supply control unit
- J623 Engine control unit
- T6f 6-pin connector
- T60a 60-pin connector



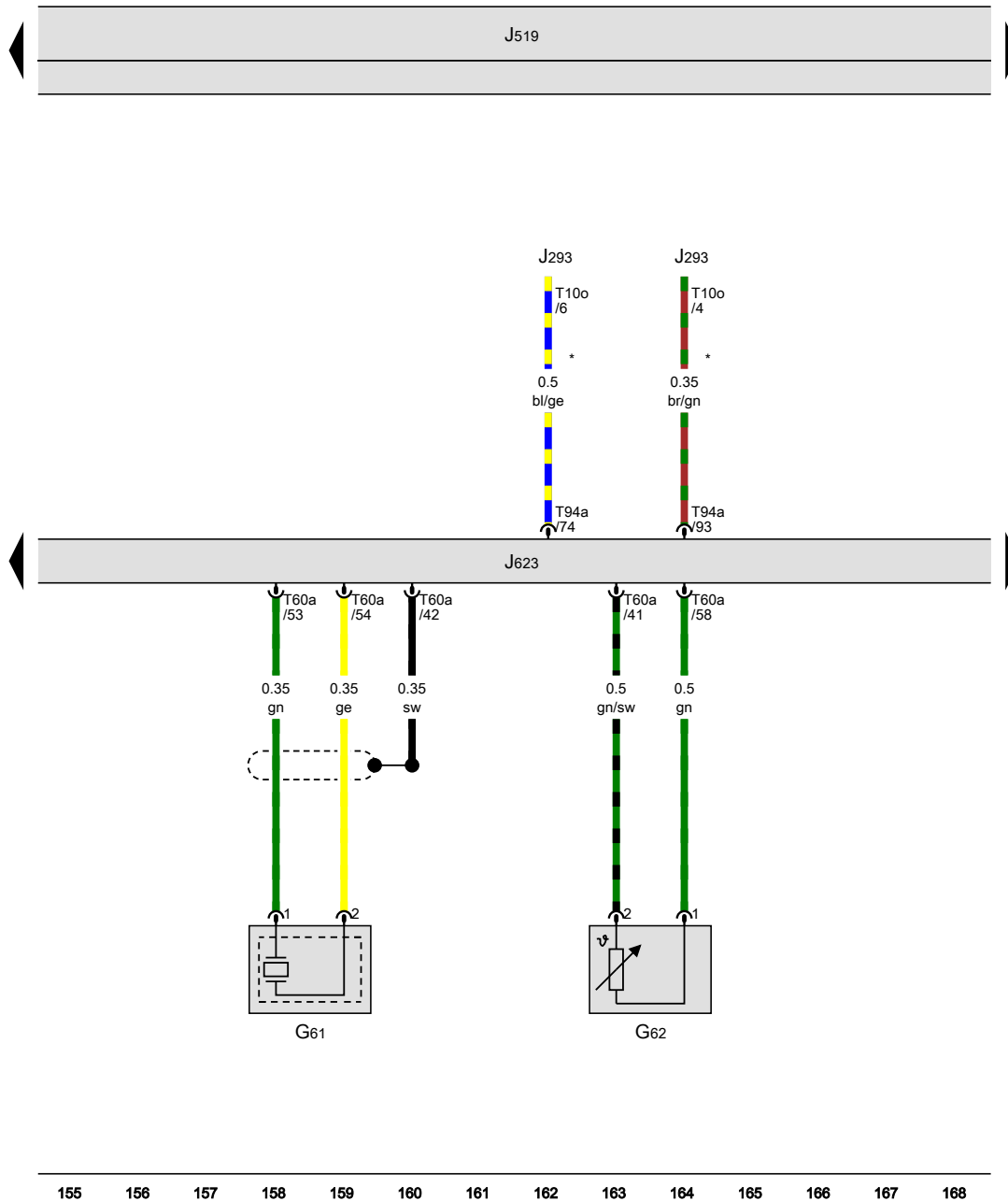
- ws = white
- sw = black
- ro = red
- rt = red
- br = brown
- gn = green
- bl = blue
- gr = grey
- li = purple
- vi = purple
- ge = yellow
- or = orange
- rs = pink

141 142 143 144 145 146 147 148 149 150 151 152 153 154

[NH0-078120516]

Knock sensor 1, Coolant temperature sender, Engine control unit

- G61 Knock sensor 1
- G62 Coolant temperature sender
- J293 Radiator fan control unit
- J519 Onboard supply control unit
- J623 Engine control unit
- T10o 10-pin connector
- T60a 60-pin connector
- T94a 94-pin connector
- * Only models with air conditioning system/ Climatronic



- ws = white
- sw = black
- ro = red
- rt = red
- br = brown
- gn = green
- bl = blue
- gr = grey
- li = purple
- vi = purple
- ge = yellow
- or = orange
- rs = pink

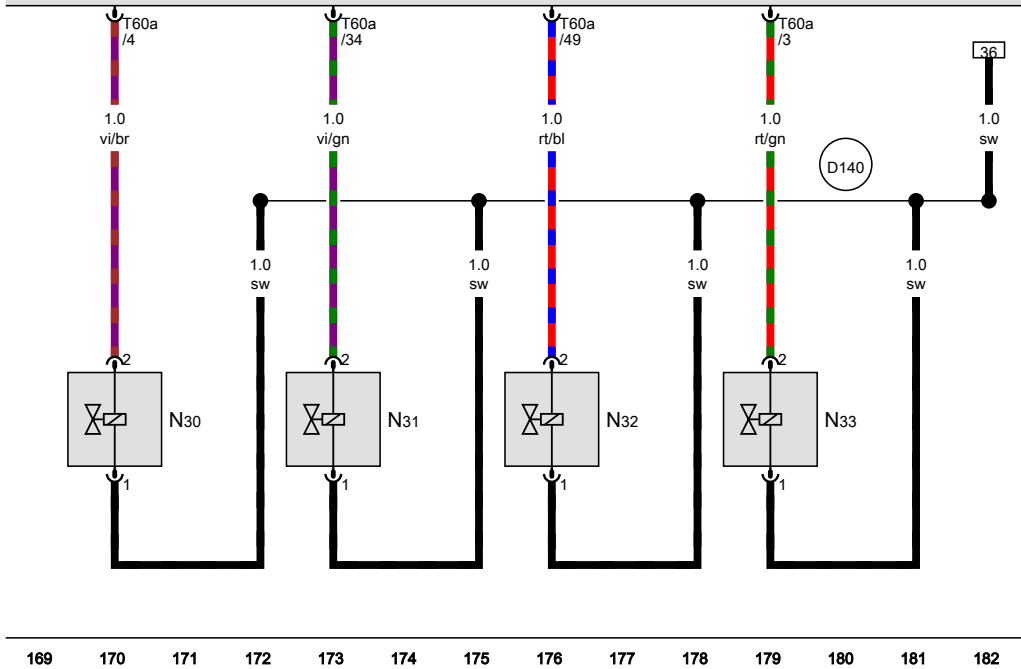
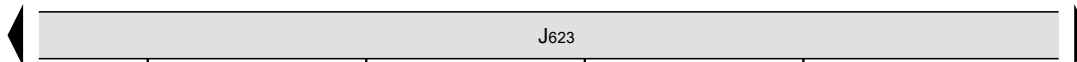
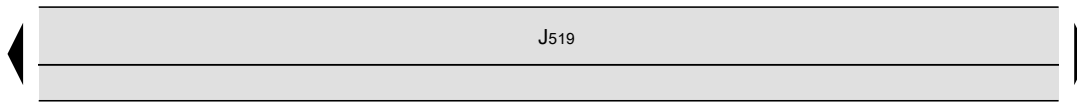
155 156 157 158 159 160 161 162 163 164 165 166 167 168

[NH0-078130516]

Engine control unit, Injector, cylinder 1, Injector, cylinder 2, Injector, cylinder 3, Injector, cylinder 4

- J519 Onboard supply control unit
- J623 Engine control unit
- N30 Injector, cylinder 1
- N31 Injector, cylinder 2
- N32 Injector, cylinder 3
- N33 Injector, cylinder 4
- T60a 60-pin connector

D140 Connection (injectors), in engine prewiring harness

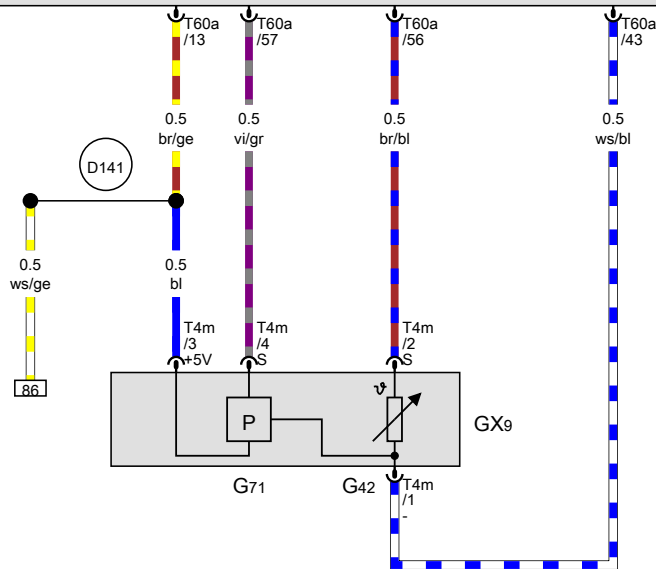
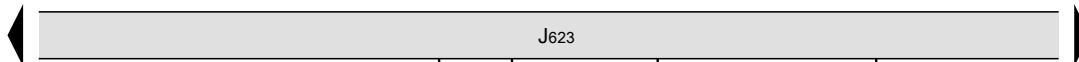
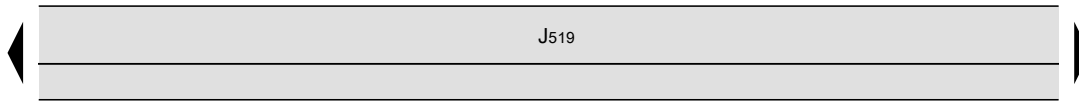


- ws = white
- sw = black
- ro = red
- rt = red
- br = brown
- gn = green
- bl = blue
- gr = grey
- li = purple
- vi = purple
- ge = yellow
- or = orange
- rs = pink

[NH0-078140516]

Intake manifold sender, Engine control unit

- GX9 Intake manifold sender
- G42 Intake air temperature sender
- G71 Intake manifold pressure sender
- J519 Onboard supply control unit
- J623 Engine control unit
- T4m 4-pin connector
- T60a 60-pin connector
- D141 Connection (5V) in engine prewiring harness



- ws = white
- sw = black
- ro = red
- rt = red
- br = brown
- gn = green
- bl = blue
- gr = grey
- li = purple
- vi = purple
- ge = yellow
- or = orange
- rs = pink

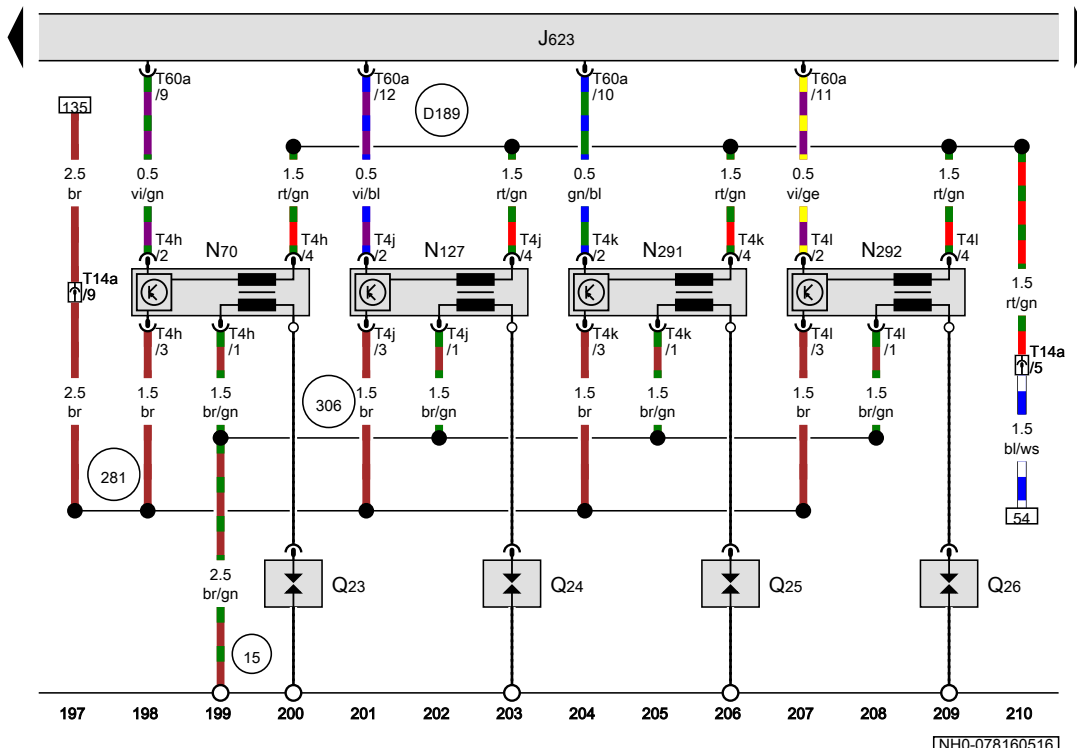
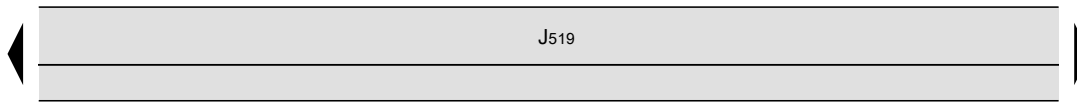
183 184 185 186 187 188 189 190 191 192 193 194 195 196

[NH0-078150516]

Engine control unit, Ignition coil 1 with output stage, Ignition coil 2 with output stage, Ignition coil 3 with output stage, Ignition coil 4 with output stage

- J519 Onboard supply control unit
- J623 Engine control unit
- N70 Ignition coil 1 with output stage
- N127 Ignition coil 2 with output stage
- N291 Ignition coil 3 with output stage
- N292 Ignition coil 4 with output stage
- Q23 Spark plug 1
- Q24 Spark plug 2
- Q25 Spark plug 3
- Q26 Spark plug 4
- T4h 4-pin connector
- T4j 4-pin connector
- T4k 4-pin connector
- T4l 4-pin connector
- T14a 14-pin connector, front left in engine compartment
- T60a 60-pin connector

- 15 Earth point, on cylinder head
- 281 Earth point 1, engine prewiring harness
- 306 Earth connection (ignition coils), in engine prewiring harness
- D189 Connection (87a) in engine prewiring harness



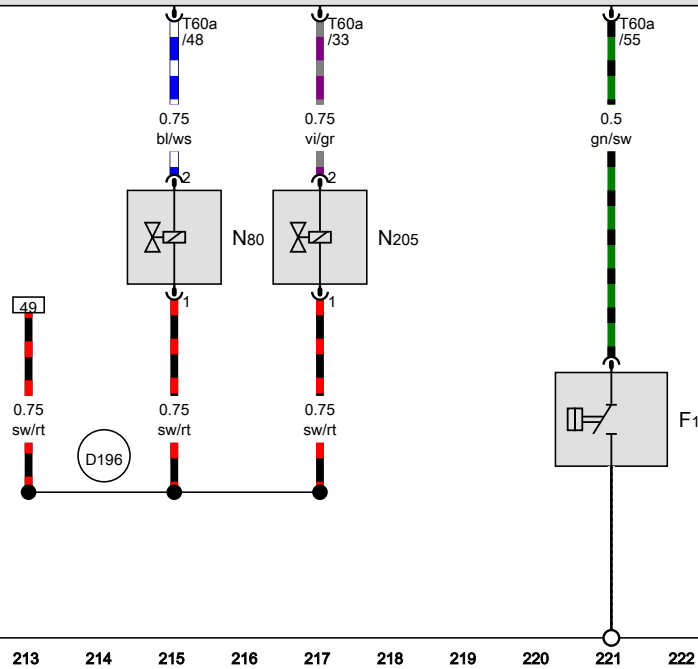
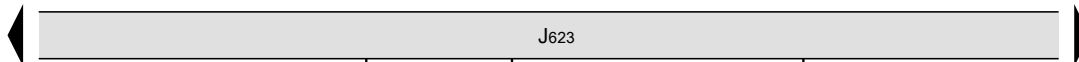
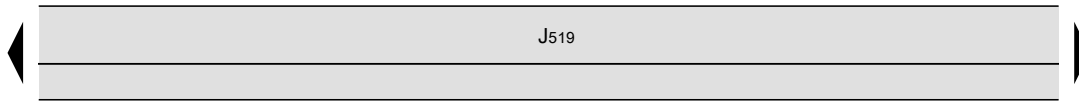
- ws = white
- sw = black
- ro = red
- rt = red
- br = brown
- gn = green
- bl = blue
- gr = grey
- li = purple
- vi = purple
- ge = yellow
- or = orange
- rs = pink

1NH0-078160516

Oil pressure switch, Engine control unit, Activated charcoal filter solenoid valve 1, Camshaft control valve 1

- F1 Oil pressure switch
- J519 Onboard supply control unit
- J623 Engine control unit
- N80 Activated charcoal filter solenoid valve 1
- N205 Camshaft control valve 1
- T60a 60-pin connector

D196 Connection 2 (87a) in engine prewiring harness



[NH0-078170516]

Fuel delivery unit, Fuel pump relay, Engine control unit

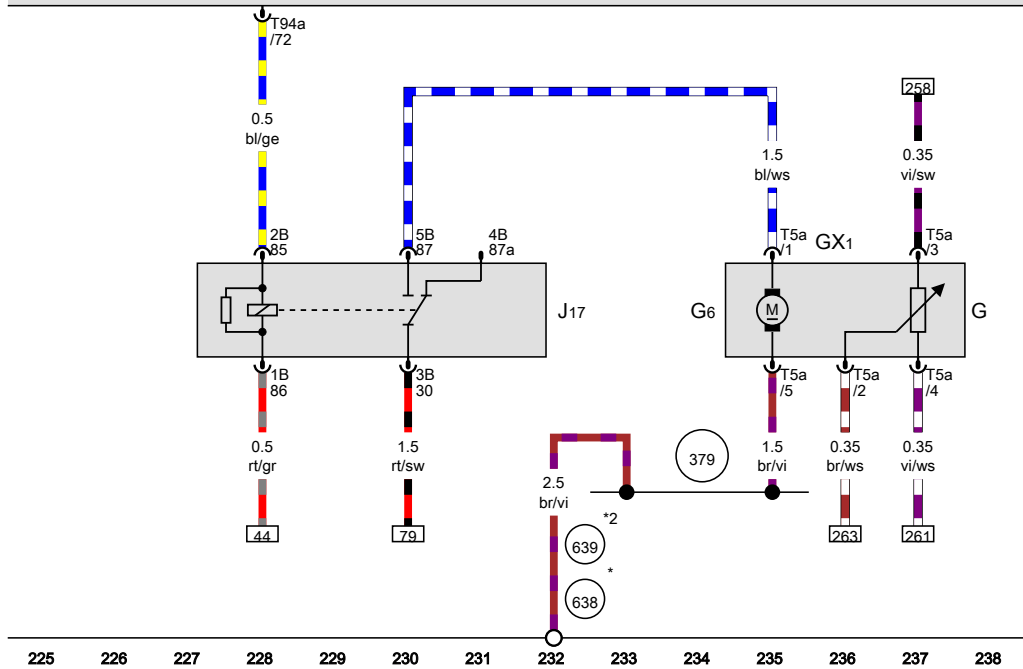
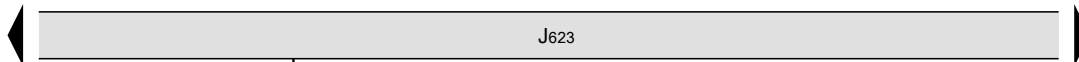
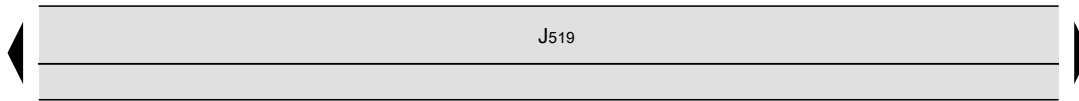
- G Fuel gauge sender
- GX1 Fuel delivery unit
- G6 Fuel system pressurisation pump
- J17 Fuel pump relay
- J519 Onboard supply control unit
- J623 Engine control unit
- T5a 5-pin connector
- T94a 94-pin connector

379 Earth connection 14, in main wiring harness

638 Earth point, on right A-pillar

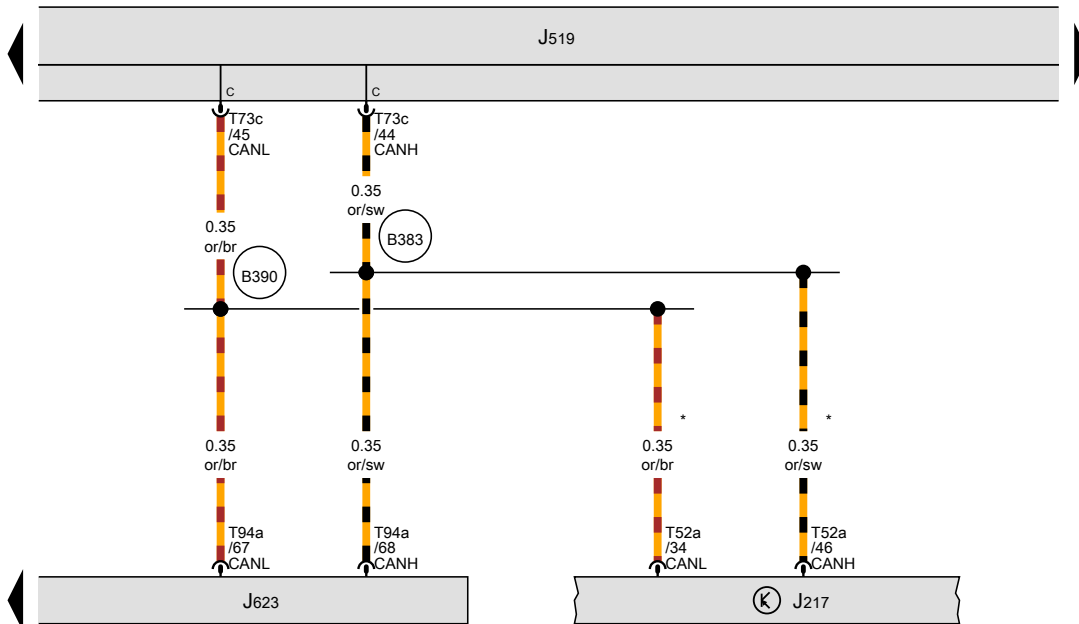
639 Earth point, left A-pillar

* Only left-hand drive models
 *2 Only right-hand drive models



- ws = white
- sw = black
- ro = red
- rt = red
- br = brown
- gn = green
- bl = blue
- gr = grey
- li = purple
- vi = purple
- ge = yellow
- or = orange
- rs = pink

[NH0-078180516]



Automatic gearbox control unit, Engine control unit

- J217 Automatic gearbox control unit
- J519 Onboard supply control unit
- J623 Engine control unit
- T52a 52-pin connector
- T73c 73-pin connector, black
- T94a 94-pin connector

B383 Connection 1 (powertrain CAN bus, high), in main wiring harness

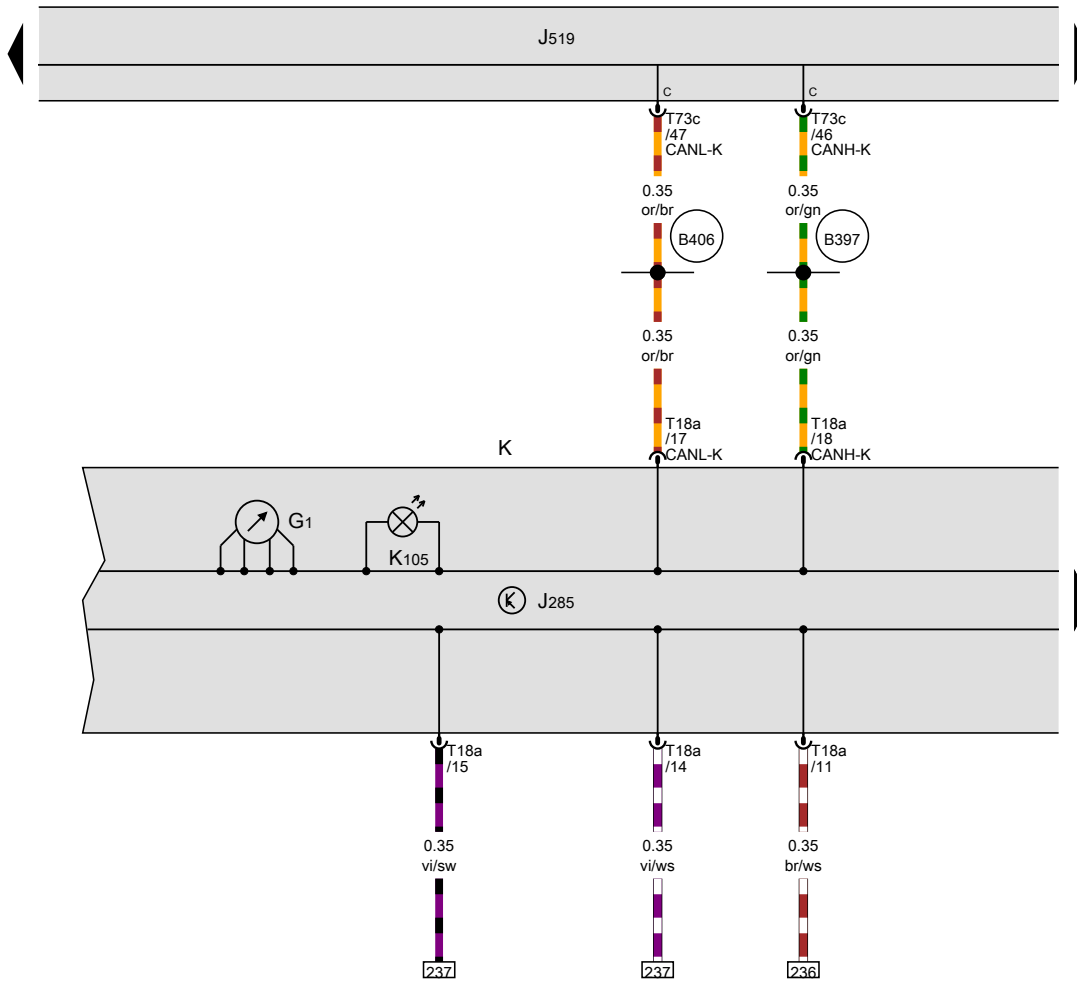
B390 Connection 1 (powertrain CAN bus, low), in main wiring harness

* Only models with automatic gearbox

- ws = white
- sw = black
- ro = red
- rt = red
- br = brown
- gn = green
- bl = blue
- gr = grey
- li = purple
- vi = purple
- ge = yellow
- or = orange
- rs = pink

Fuel gauge, Dash panel insert

- G1 Fuel gauge
- J285 Control unit in dash panel insert
- J519 Onboard supply control unit
- K Dash panel insert
- K105 Reserve fuel warning lamp
- T18a 18-pin connector
- T73c 73-pin connector, black
- B397** Connection 1 (convenience CAN bus, high), in main wiring harness
- B406** Connection 1 (convenience CAN bus, low), in main wiring harness



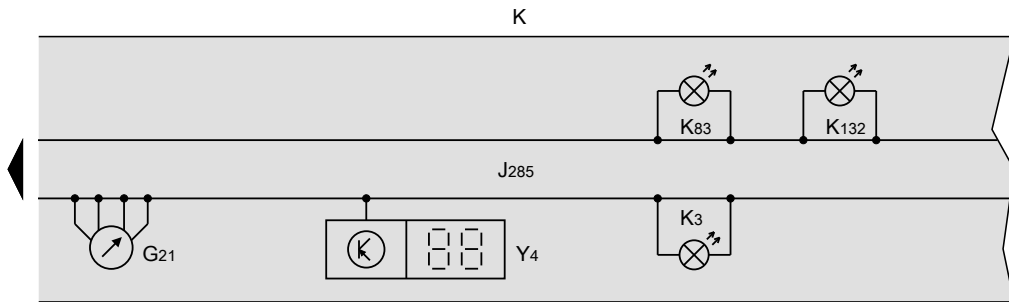
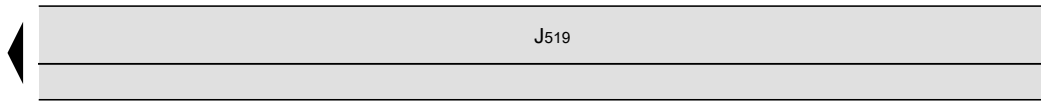
- ws = white
- sw = black
- ro = red
- rt = red
- br = brown
- gn = green
- bl = blue
- gr = grey
- li = purple
- vi = purple
- ge = yellow
- or = orange
- rs = pink

253 254 255 256 257 258 259 260 261 262 263 264 265 266

[NH0-078200516]

Speedometer, Dash panel insert, Trip counter

- G21 Speedometer
- J285 Control unit in dash panel insert
- J519 Onboard supply control unit
- K Dash panel insert
- K3 Oil pressure warning lamp
- K83 Exhaust emissions warning lamp
- K132 Electronic power control fault lamp
- Y4 Trip counter



- ws = white
- sw = black
- ro = red
- rt = red
- br = brown
- gn = green
- bl = blue
- gr = grey
- li = purple
- vi = purple
- ge = yellow
- or = orange
- rs = pink

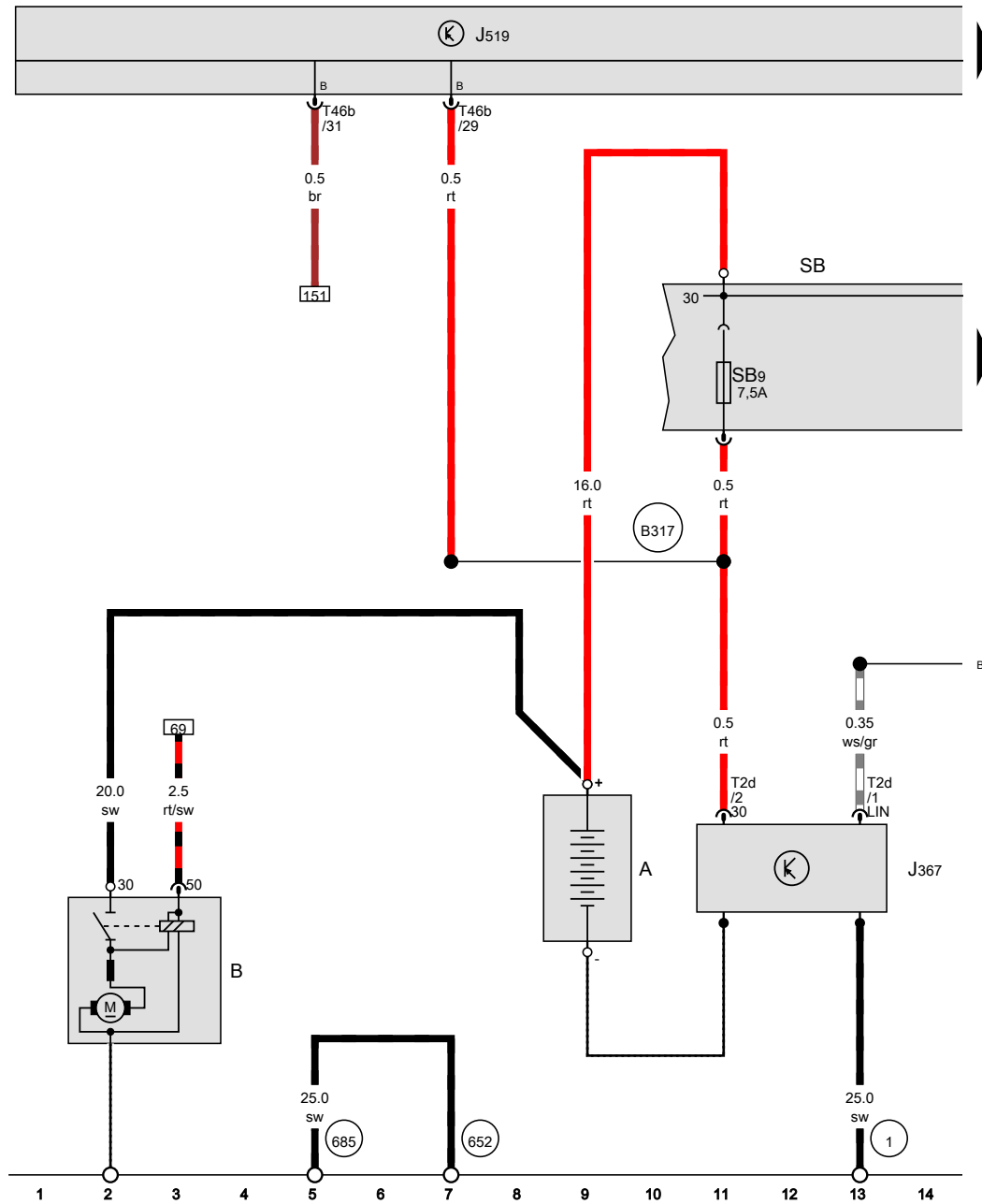
267 268 269 270 271 272 273 274 275 276 277 278 279 280

[NH0-078210516]

1.4l diesel engine , CUSB,(7L6)

From November 2015

Battery, Starter, Battery monitor control unit, Fuse holder B

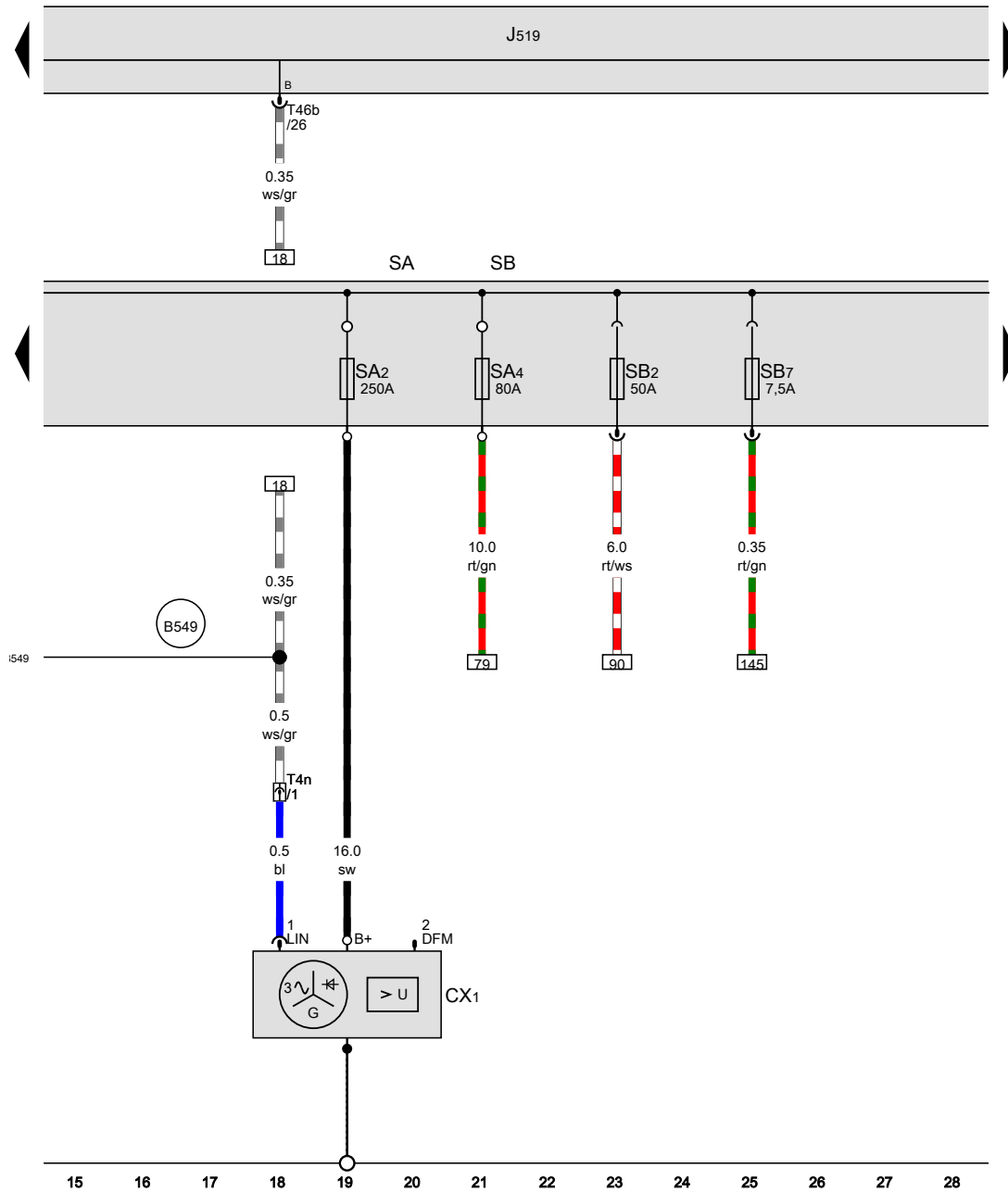


- A Battery
- B Starter
- J367 Battery monitor control unit
- J519 Onboard supply control unit
- SB Fuse holder B
- SB9 Fuse 9 on fuse holder B
- T2d 2-pin connector
- T46b 46-pin connector, brown

- 1 Earth strap, battery - body
- 652 Earth point, engine and gearbox earth
- 685 Earth point 1 at front of right longitudinal member
- B317 Positive connection 3 (30a) in main wiring harness
- B549 Connection 2 (LIN bus) in main wiring harness

- ws = white
- sw = black
- ro = red
- rt = red
- br = brown
- gn = green
- bl = blue
- gr = grey
- li = purple
- vi = purple
- ge = yellow
- or = orange
- rs = pink

[NH0-079020516]

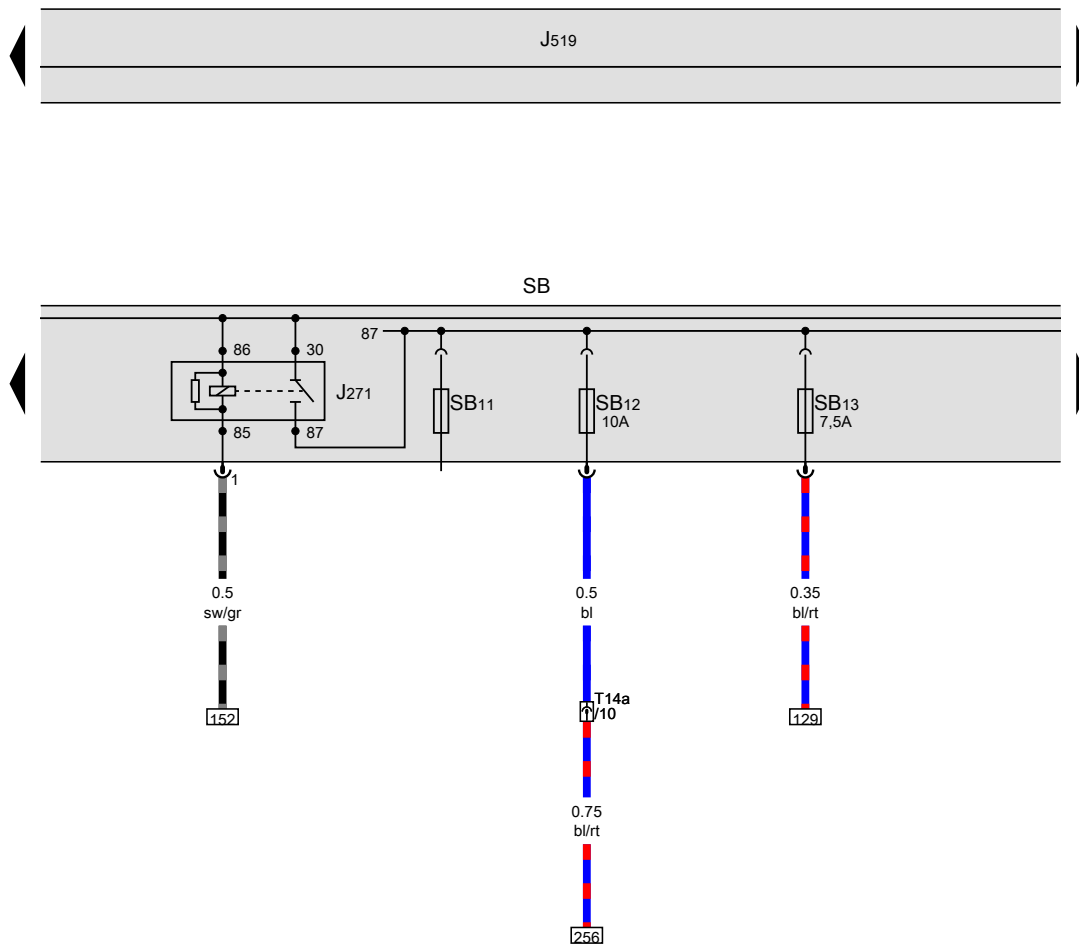


Alternator with voltage regulator, Fuse holder A, Fuse holder B

- CX1 Alternator with voltage regulator
- J519 Onboard supply control unit
- SA Fuse holder A
- SA2 Fuse 2 in fuse holder A
- SB2 Fuse 2 on fuse holder B
- SA4 Fuse 4 in fuse holder A
- SB Fuse holder B
- SB7 Fuse 7 on fuse holder B
- T4n 4-pin connector, front left in engine compartment
- T46b 46-pin connector, brown
- B549 Connection 2 (LIN bus) in main wiring harness

Main relay, Fuse holder B

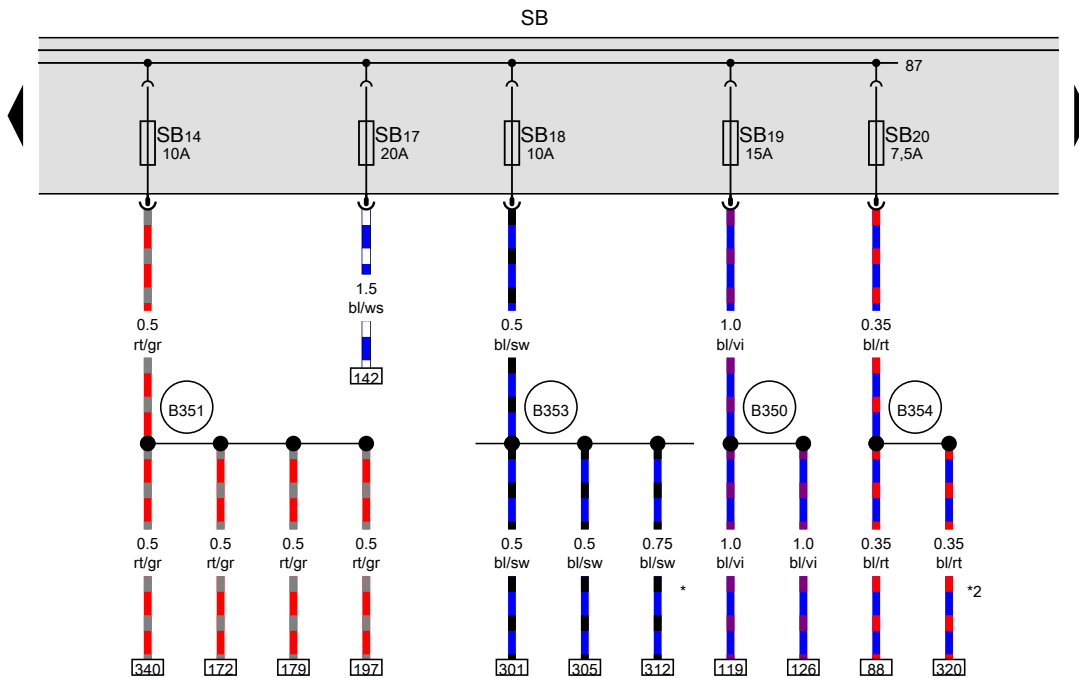
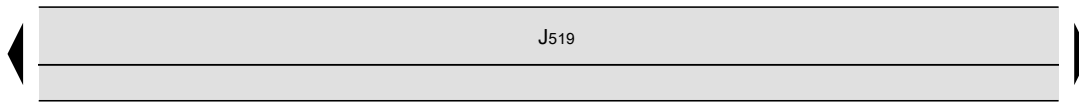
- J271 Main relay
- J519 Onboard supply control unit
- SB Fuse holder B
- SB11 Fuse 11 on fuse holder B
- SB12 Fuse 12 on fuse holder B
- SB13 Fuse 13 on fuse holder B
- T14a 14-pin connector, front left in engine compartment



- ws = white
- sw = black
- ro = red
- rt = red
- br = brown
- gn = green
- bl = blue
- gr = grey
- li = purple
- vi = purple
- ge = yellow
- or = orange
- rs = pink

29 30 31 32 33 34 35 36 37 38 39 40 41 42

[NH0-079040516]



Fuse holder B

- J519 Onboard supply control unit
- SB Fuse holder B
- SB14 Fuse 14 on fuse holder B
- SB17 Fuse 17 on fuse holder B
- SB18 Fuse 18 on fuse holder B
- SB19 Fuse 19 on fuse holder B
- SB20 Fuse 20 on fuse holder B

- B350 Positive connection 1 (87a) in main wiring harness
- B351 Positive connection 2 (87a) in main wiring harness
- B353 Positive connection 4 (87a) in main wiring harness
- B354 Positive connection 5 (87a) in main wiring harness
- * Only models with extended servicing intervals (ESI)
- *2 Special equipment

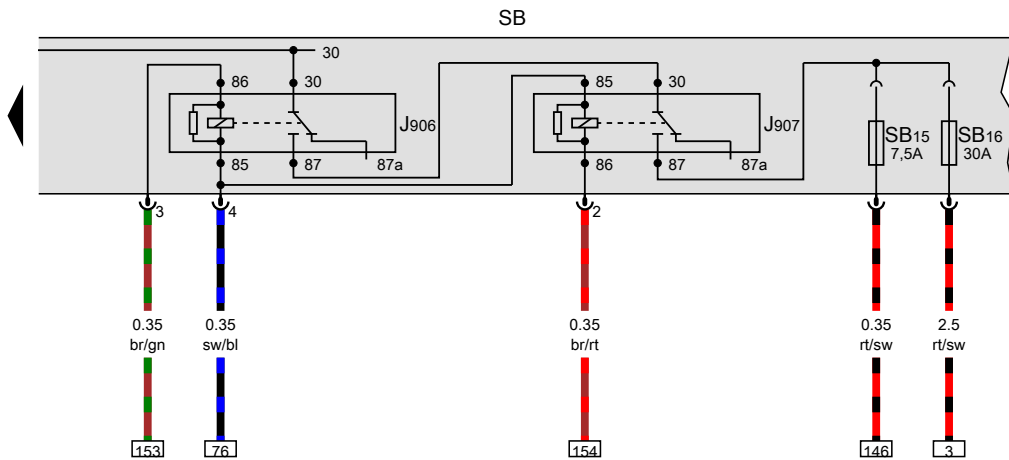
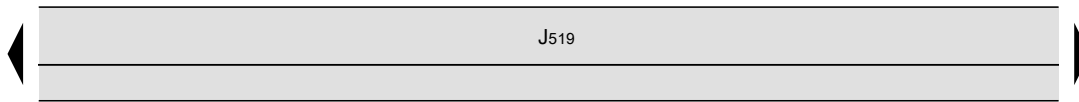
- ws = white
- sw = black
- ro = red
- rt = red
- br = brown
- gn = green
- bl = blue
- gr = grey
- li = purple
- vi = purple
- ge = yellow
- or = orange
- rs = pink

43 44 45 46 47 48 49 50 51 52 53 54 55 56

[NH0-079050516]

Starter relay 1, Starter relay 2, Fuse holder B

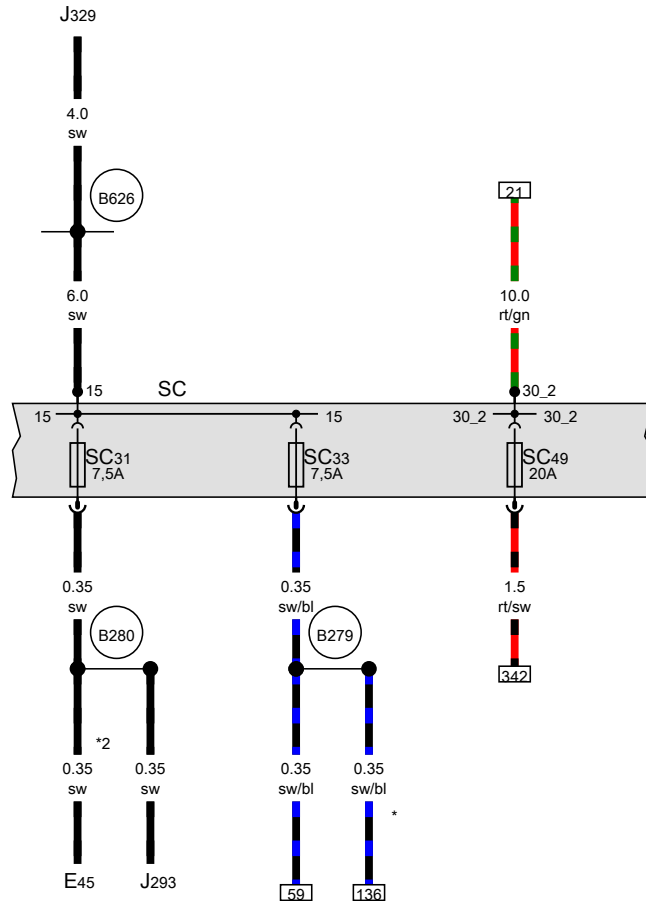
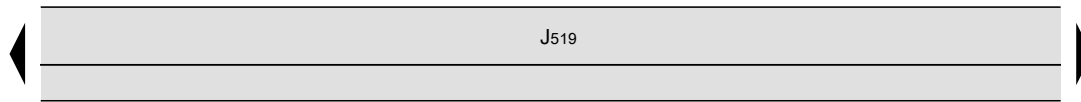
- J519 Onboard supply control unit
- J906 Starter relay 1
- J907 Starter relay 2
- SB Fuse holder B
- SB15 Fuse 15 on fuse holder B
- SB16 Fuse 16 on fuse holder B



- ws = white
- sw = black
- ro = red
- rt = red
- br = brown
- gn = green
- bl = blue
- gr = grey
- li = purple
- vi = purple
- ge = yellow
- or = orange
- rs = pink

57 58 59 60 61 62 63 64 65 66 67 68 69 70

[NH0-079060516]



Fuse holder C

- E45 Cruise control system switch
- J293 Radiator fan control unit
- J329 Terminal 15 voltage supply relay
- J519 Onboard supply control unit
- SC Fuse holder C
- SC31 Fuse 31 on fuse holder C
- SC33 Fuse 33 on fuse holder C
- SC49 Fuse 49 on fuse holder C

B279 Positive connection 3 (15a) in main wiring harness

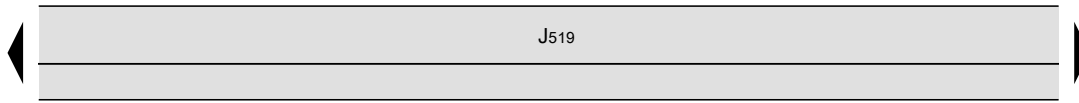
B280 Positive connection 4 (15a) in main wiring harness

B626 Positive connection 2 (15), in main wiring harness

* Only models with manual gearbox

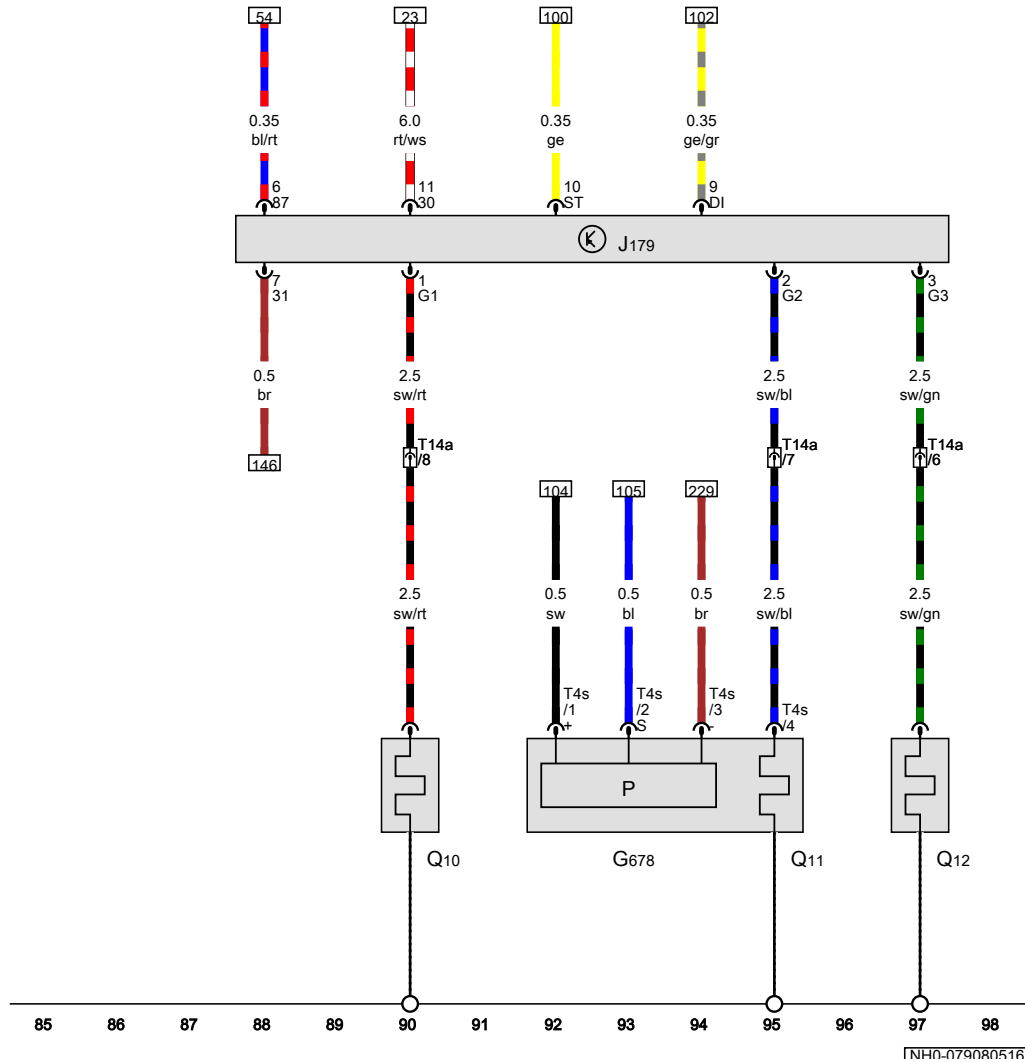
*2 Only models with cruise control system (CCS)

- ws = white
- sw = black
- ro = red
- rt = red
- br = brown
- gn = green
- bl = blue
- gr = grey
- li = purple
- vi = purple
- ge = yellow
- or = orange
- rs = pink



Cylinder 2 combustion chamber pressure sender,
Automatic glow period control unit, Glow plug 1, Glow plug 2,
Glow plug 3

- G678 Cylinder 2 combustion chamber pressure sender
- J179 Automatic glow period control unit
- J519 Onboard supply control unit
- Q10 Glow plug 1
- Q11 Glow plug 2
- Q12 Glow plug 3
- T4s 4-pin connector
- T14a 14-pin connector, front left in engine compartment

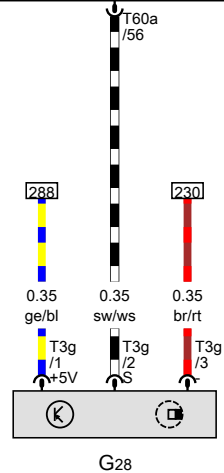
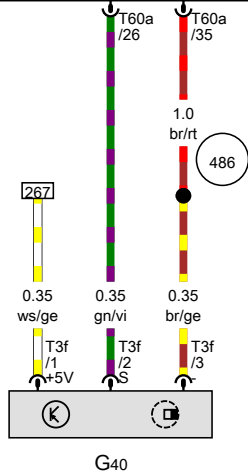
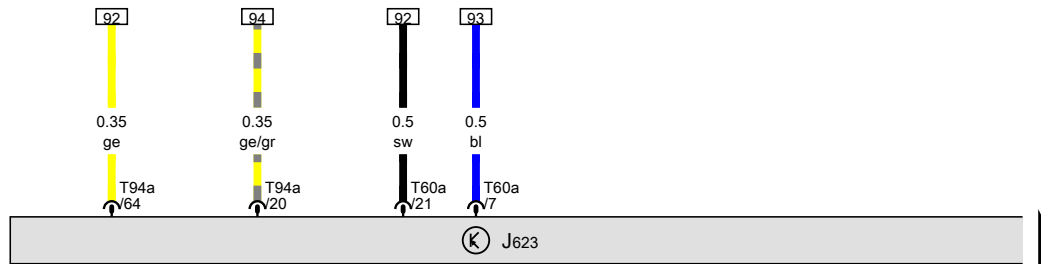
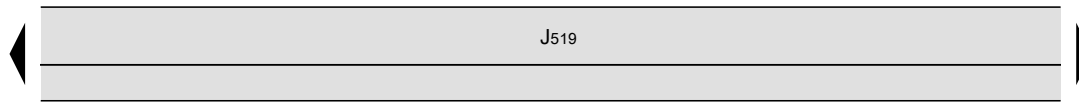


- ws = white
- sw = black
- ro = red
- rt = red
- br = brown
- gn = green
- bl = blue
- gr = grey
- li = purple
- vi = purple
- ge = yellow
- or = orange
- rs = pink

[NH0-079080516]

Engine speed sender, Hall sender, Engine control unit

- G28 Engine speed sender
- G40 Hall sender
- J519 Onboard supply control unit
- J623 Engine control unit
- T3f 3-pin connector
- T3g 3-pin connector
- T60a 60-pin connector
- T94a 94-pin connector
- 486 Earth point 4, engine prewiring harness



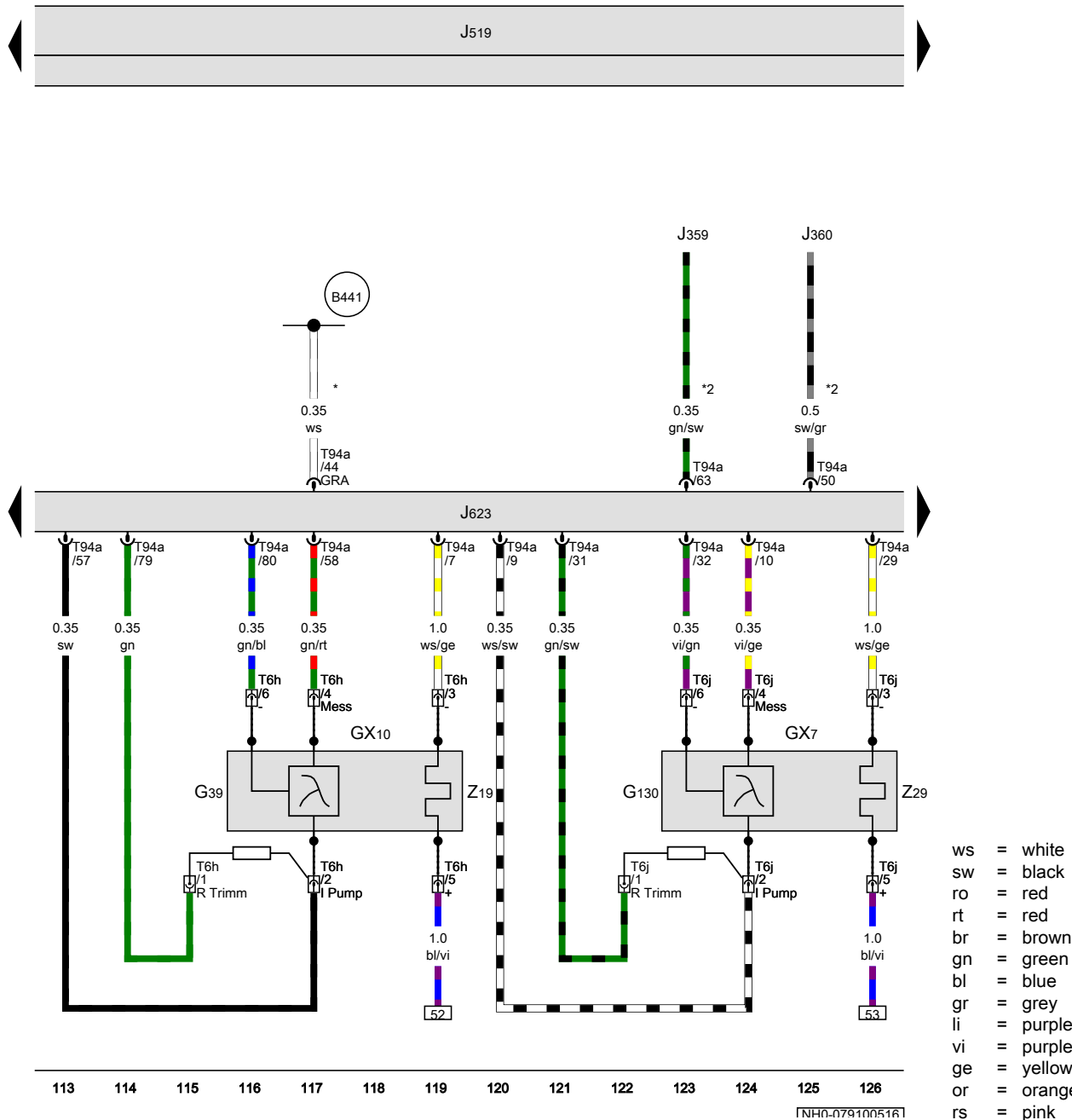
- ws = white
- sw = black
- ro = red
- rt = red
- br = brown
- gn = green
- bl = blue
- gr = grey
- li = purple
- vi = purple
- ge = yellow
- or = orange
- rs = pink

Lambda probe 1 after catalytic converter, Lambda probe 1 before catalytic converter, Engine control unit

- GX7 Lambda probe 1 after catalytic converter
- GX10 Lambda probe 1 before catalytic converter
- G39 Lambda probe
- G130 Lambda probe after catalytic converter
- J359 Low heat output relay
- J360 High heat output relay
- J519 Onboard supply control unit
- J623 Engine control unit
- T6h 6-pin connector, black
- T6j 6-pin connector, brown
- T94a 94-pin connector
- Z19 Lambda probe heater
- Z29 Lambda probe 1 heater after catalytic converter

B441 Connection (CCS), in main wiring harness

- * Only models with cruise control system (CCS)
- *2 Only models with auxiliary air heater



- ws = white
- sw = black
- ro = red
- rt = red
- br = brown
- gn = green
- bl = blue
- gr = grey
- li = purple
- vi = purple
- ge = yellow
- or = orange
- rs = pink

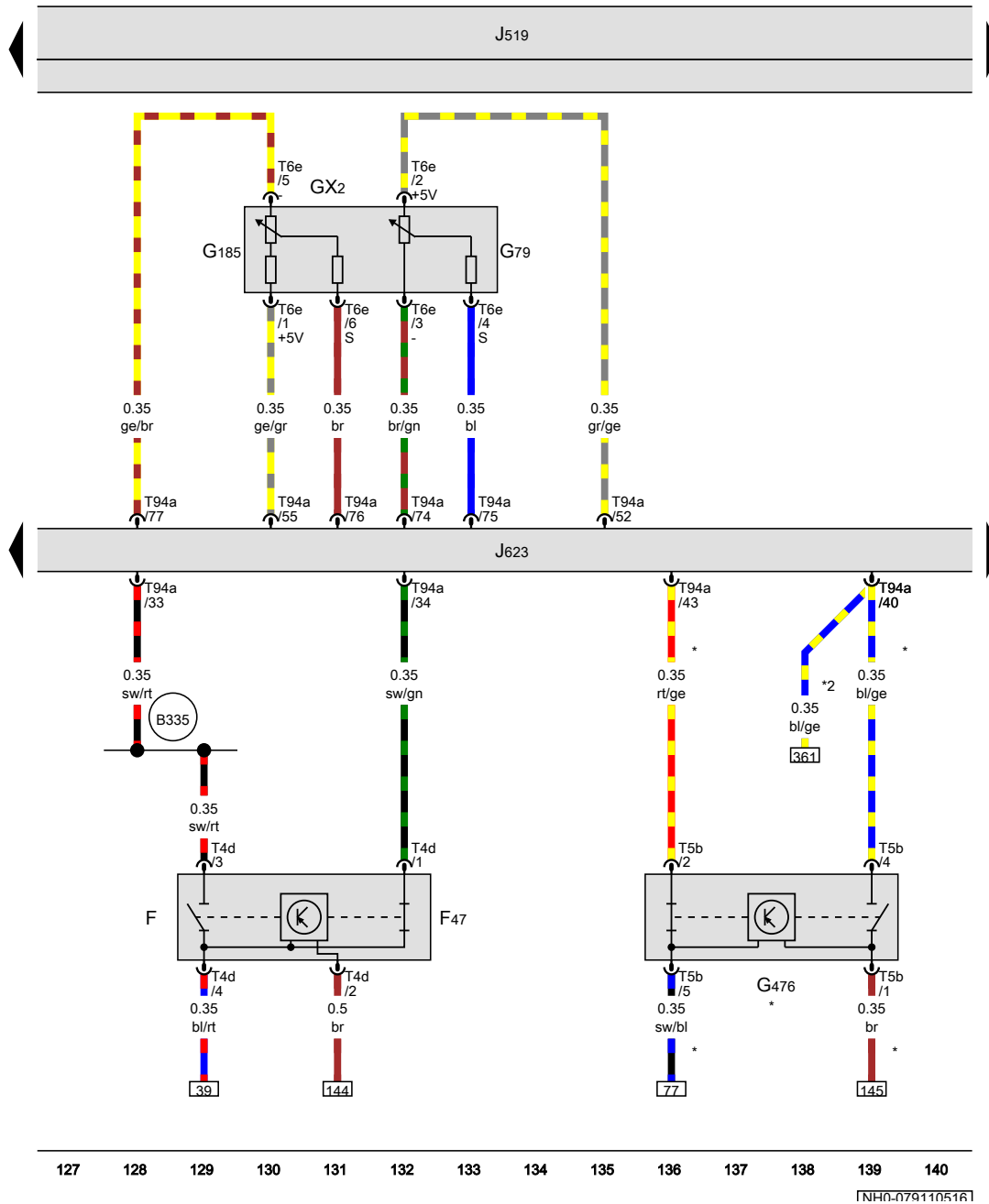
[NH0-0791000516]

Brake pedal switch, Accelerator pedal module, Clutch position sender, Engine control unit

- F Brake light switch
- F47 Brake pedal switch
- GX2 Accelerator pedal module
- G79 Accelerator position sender
- G185 Accelerator position sender 2
- G476 Clutch position sender
- J519 Onboard supply control unit
- J623 Engine control unit
- T4d 4-pin connector
- T5b 5-pin connector
- T6e 6-pin connector
- T94a 94-pin connector

B335 Connection 1 (54), in main wiring harness

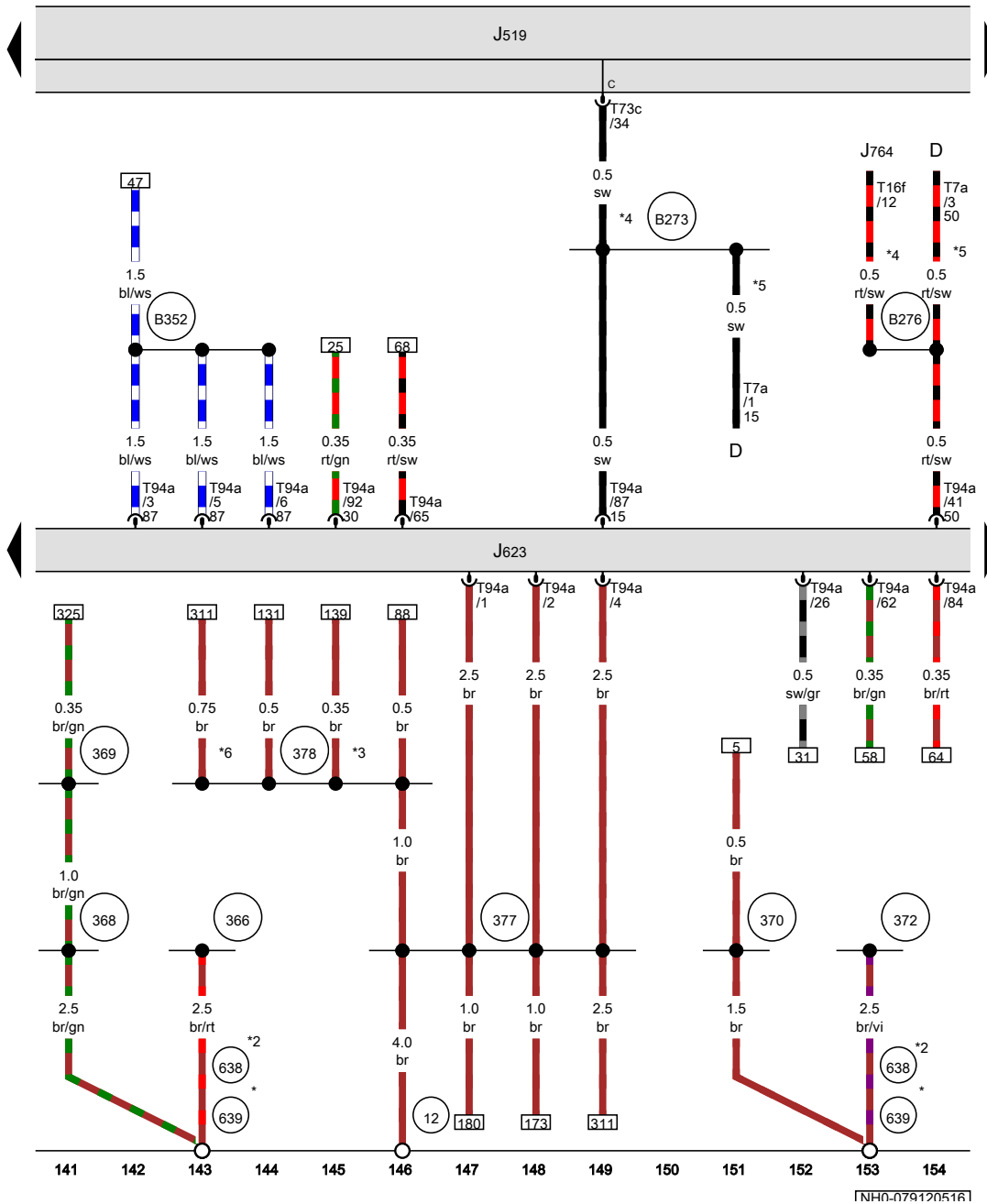
- * Only models with manual gearbox
- *2 Only models with automatic gearbox



- ws = white
- sw = black
- ro = red
- rt = red
- br = brown
- gn = green
- bl = blue
- gr = grey
- li = purple
- vi = purple
- ge = yellow
- or = orange
- rs = pink

127 128 129 130 131 132 133 134 135 136 137 138 139 140

[NH0-079110516]



Engine control unit

- D Ignition/starter switch
- J519 Onboard supply control unit
- J623 Engine control unit
- J764 Control unit for electronic steering column lock
- T7a 7-pin connector
- T16f 16-pin connector
- T73c 73-pin connector, black
- T94a 94-pin connector

- 12 Earth point, on left in engine compartment
- 366 Earth connection 1, in main wiring harness
- 368 Earth connection 3, in main wiring harness
- 369 Earth connection 4, in main wiring harness
- 370 Earth connection 5, in main wiring harness
- 372 Earth connection 7, in main wiring harness
- 377 Earth connection 12, in main wiring harness
- 378 Earth connection 13, in main wiring harness

- 638 Earth point, on right A-pillar
- 639 Earth point, left A-pillar
- B273 Positive connection (15), in main wiring harness
- B276 Positive connection (50), in main wiring harness
- B352 Positive connection 3 (87a) in main wiring harness

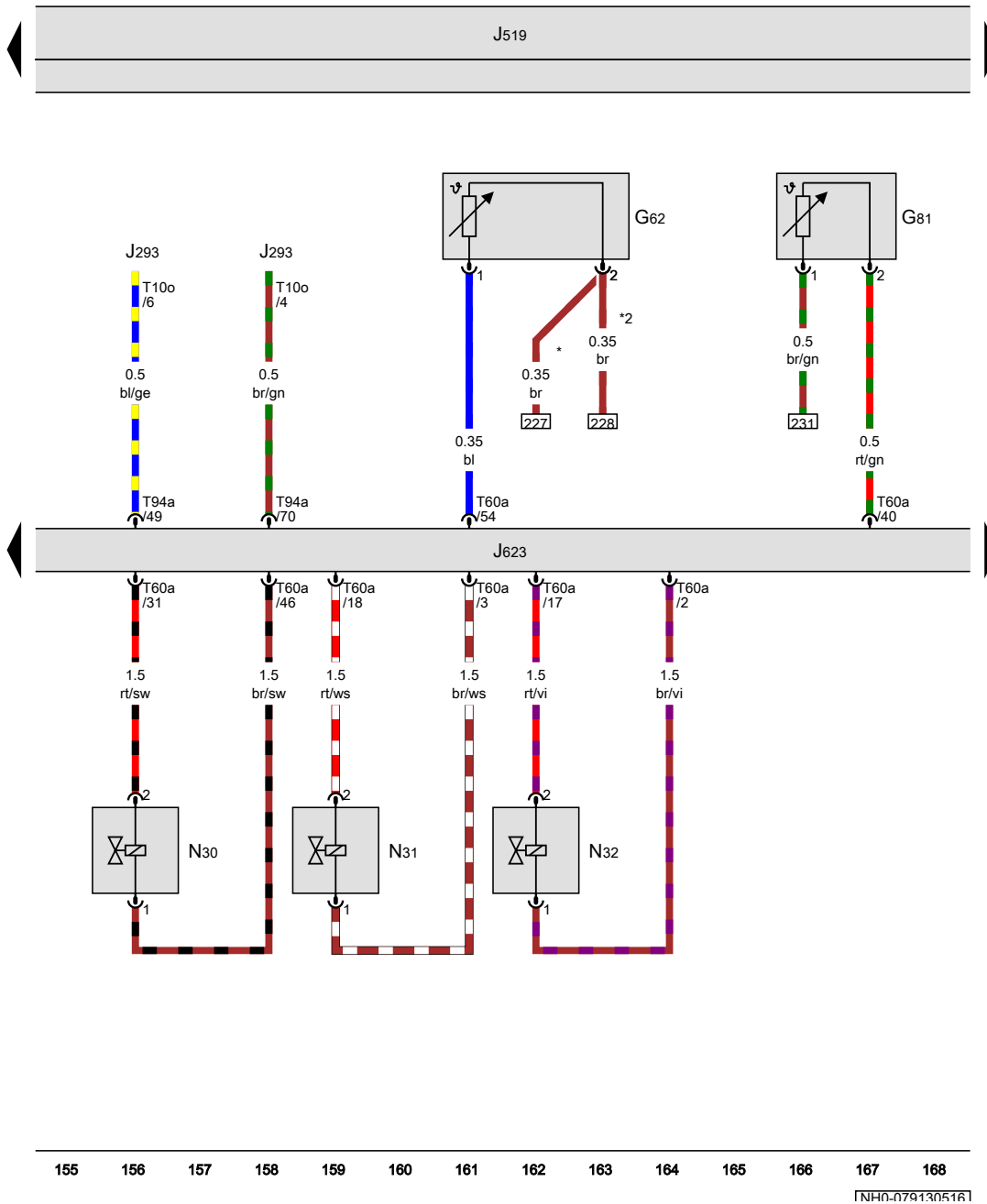
- ws = white
- sw = black
- ro = red
- rt = red
- br = brown
- gn = green
- bl = blue
- gr = grey
- li = purple
- vi = purple
- ge = yellow
- or = orange
- rs = pink

- * Only left-hand drive models
- *2 Only right-hand drive models
- *3 Only models with manual gearbox
- *4 Only models with entry and start authorisation
- *5 Only models with no entry and start authorisation
- *6 Only models with extended servicing intervals (ESI)

[NHN-079120516]

Coolant temperature sender, Fuel temperature sender, Engine control unit, Injector, cylinder 1, Injector, cylinder 2, Injector, cylinder 3

- G62 Coolant temperature sender
- G81 Fuel temperature sender
- J293 Radiator fan control unit
- J519 Onboard supply control unit
- J623 Engine control unit
- N30 Injector, cylinder 1
- N31 Injector, cylinder 2
- N32 Injector, cylinder 3
- T10o 10-pin connector
- T60a 60-pin connector
- T94a 94-pin connector
- * Only models with automatic gearbox
- *2 Only models with manual gearbox

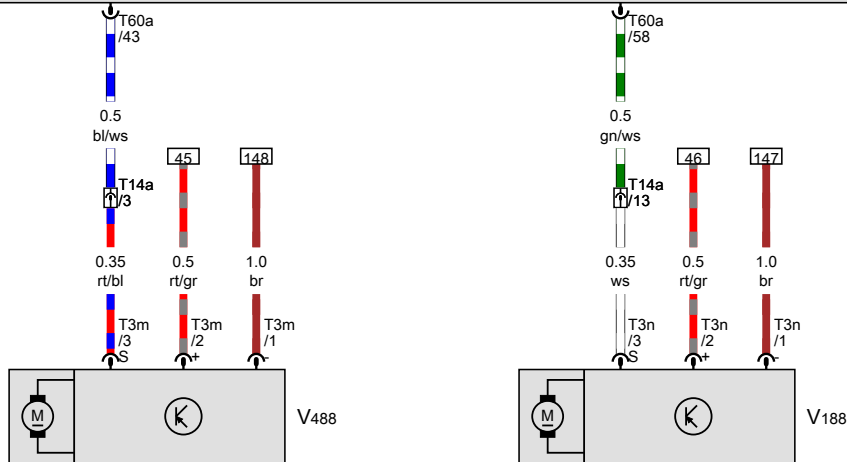
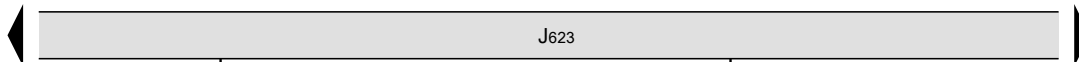
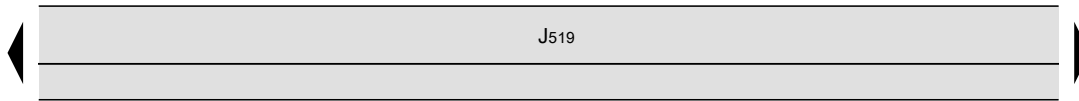


155 156 157 158 159 160 161 162 163 164 165 166 167 168

[NH0-079130516]

Engine control unit, Charge air cooling pump, Auxiliary pump for heating

- J519 Onboard supply control unit
- J623 Engine control unit
- T3m 3-pin connector
- T3n 3-pin connector
- T14a 14-pin connector, front left in engine compartment
- T60a 60-pin connector
- V188 Charge air cooling pump
- V488 Auxiliary pump for heating



- ws = white
- sw = black
- ro = red
- rt = red
- br = brown
- gn = green
- bl = blue
- gr = grey
- li = purple
- vi = purple
- ge = yellow
- or = orange
- rs = pink

169 170 171 172 173 174 175 176 177 178 179 180 181 182

[NH0-079140516]

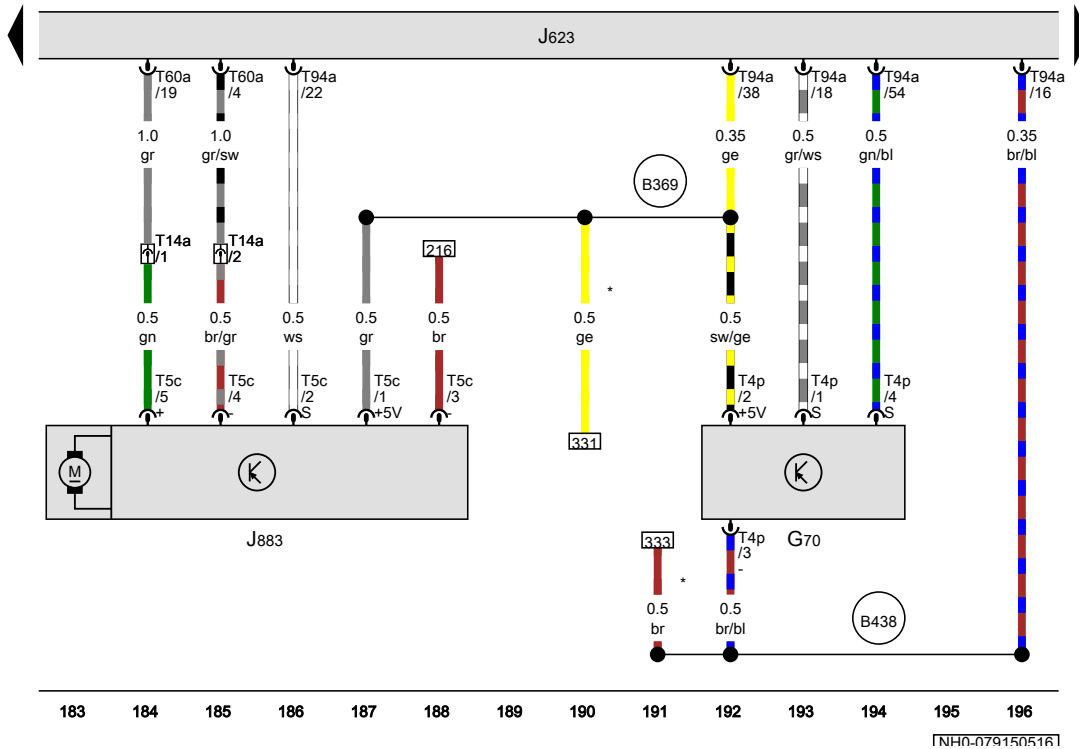
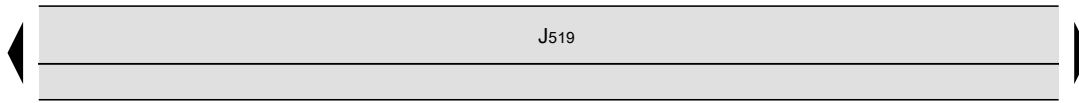
Air mass meter, Engine control unit, Exhaust flap control unit

- G70 Air mass meter
- J519 Onboard supply control unit
- J623 Engine control unit
- J883 Exhaust flap control unit
- T4p 4-pin connector
- T5c 5-pin connector
- T14a 14-pin connector, front left in engine compartment
- T60a 60-pin connector
- T94a 94-pin connector

B369 Connection 1 (5V), in main wiring harness

B438 Connection 2 (GND (earth)), in main wiring harness

* Only models with manual gearbox

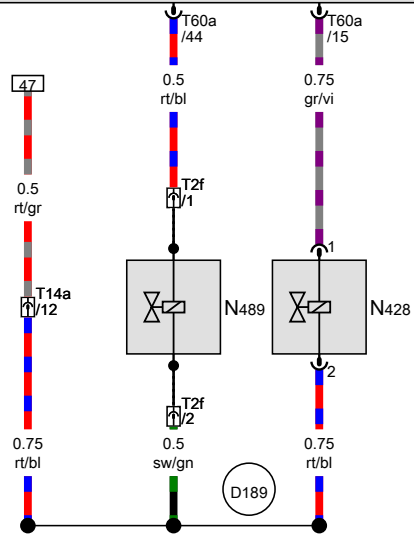
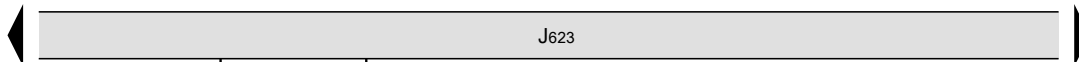
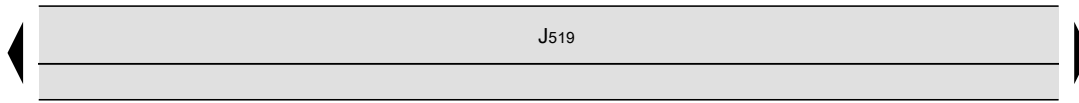


[NH0-079150516]

Engine control unit, Valve for oil pressure control, Coolant valve for cylinder head

- J519 Onboard supply control unit
- J623 Engine control unit
- N428 Valve for oil pressure control
- N489 Coolant valve for cylinder head
- T2f 2-pin connector
- T14a 14-pin connector, front left in engine compartment
- T60a 60-pin connector

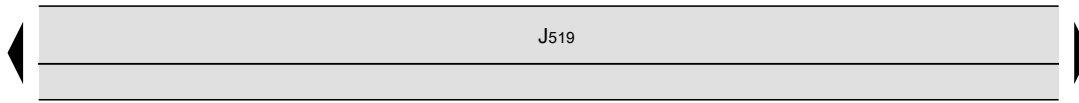
D189 Connection (87a) in engine prewiring harness



- ws = white
- sw = black
- ro = red
- rt = red
- br = brown
- gn = green
- bl = blue
- gr = grey
- li = purple
- vi = purple
- ge = yellow
- or = orange
- rs = pink

197 198 199 200 201 202 203 204 205 206 207 208 209 210

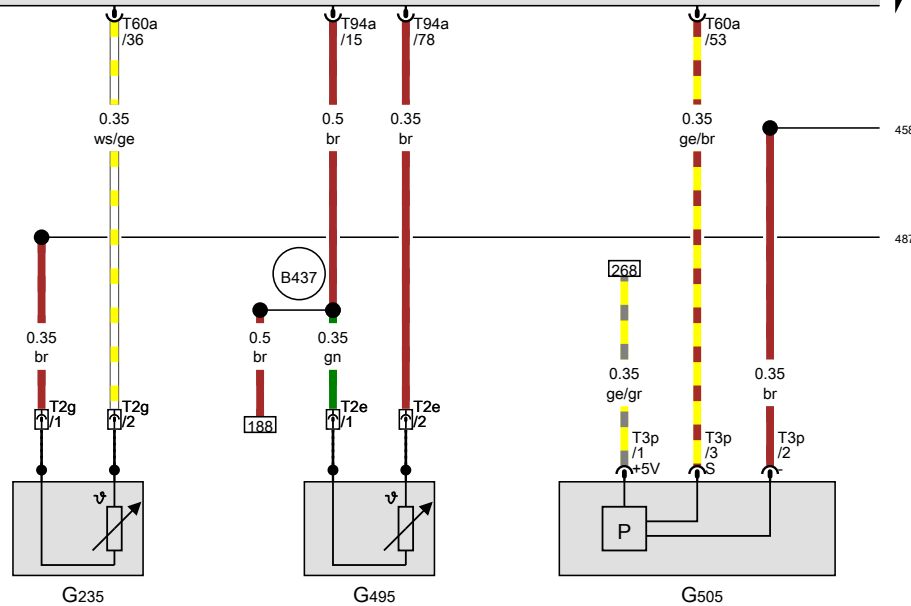
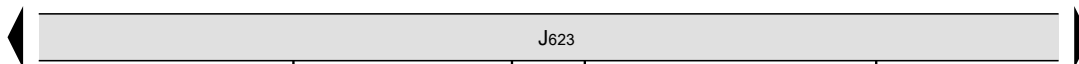
[NH0-079160516]



Exhaust gas temperature sender 1, Exhaust gas temperature sender 3, Pressure differential sender, Engine control unit

- G235 Exhaust gas temperature sender 1
- G495 Exhaust gas temperature sender 3
- G505 Pressure differential sender
- J519 Onboard supply control unit
- J623 Engine control unit
- T2e 2-pin connector, brown
- T2g 2-pin connector
- T3p 3-pin connector
- T60a 60-pin connector
- T94a 94-pin connector

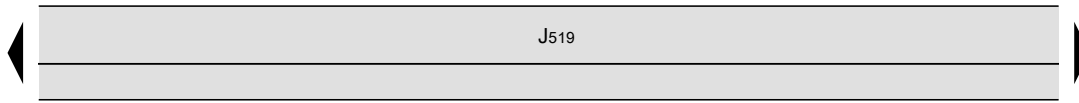
- 458 Earth point 3, engine prewiring harness
- 487 Earth point 5, engine prewiring harness
- B437 Connection 1 (GND (earth)), in main wiring harness



- ws = white
- sw = black
- ro = red
- rt = red
- br = brown
- gn = green
- bl = blue
- gr = grey
- li = purple
- vi = purple
- ge = yellow
- or = orange
- rs = pink

211 212 213 214 215 216 217 218 219 220 221 222 223 224

[NH0-079170516]



**Charge air temperature sender before charge air cooler,
Charge air temperature sender after charge air cooler,
Engine control unit**

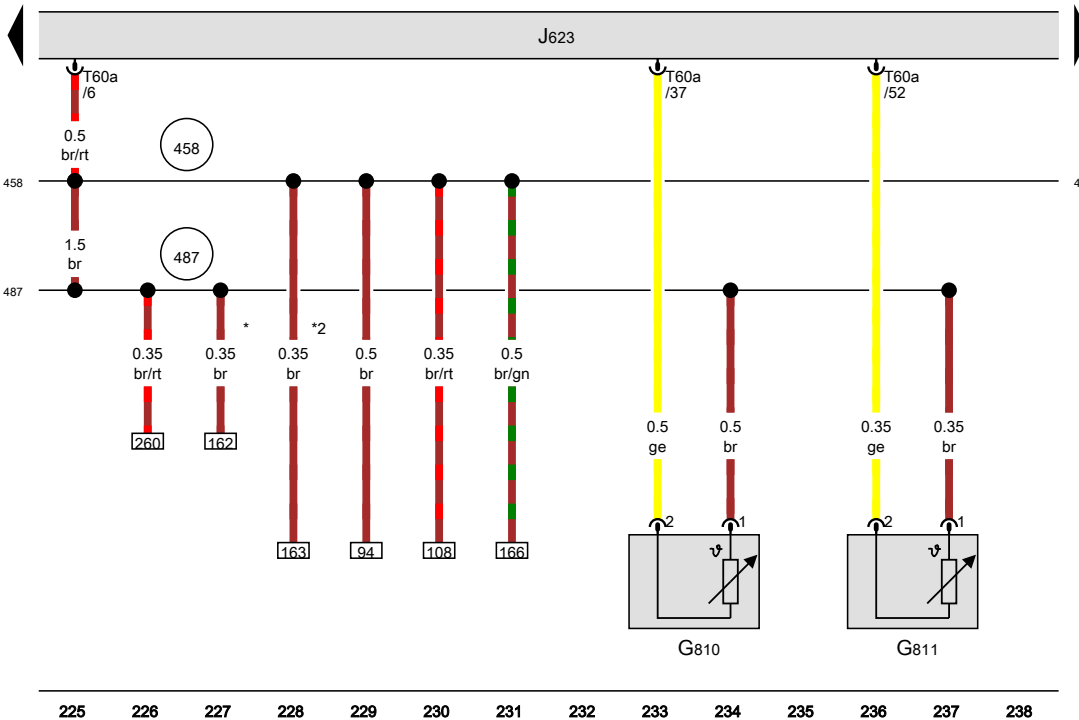
- G810 Charge air temperature sender before charge air cooler
- G811 Charge air temperature sender after charge air cooler
- J519 Onboard supply control unit
- J623 Engine control unit
- T60a 60-pin connector

458 Earth point 3, engine prewiring harness

487 Earth point 5, engine prewiring harness

* Only models with automatic gearbox

*2 Only models with manual gearbox



- ws = white
- sw = black
- ro = red
- rt = red
- br = brown
- gn = green
- bl = blue
- gr = grey
- li = purple
- vi = purple
- ge = yellow
- or = orange
- rs = pink

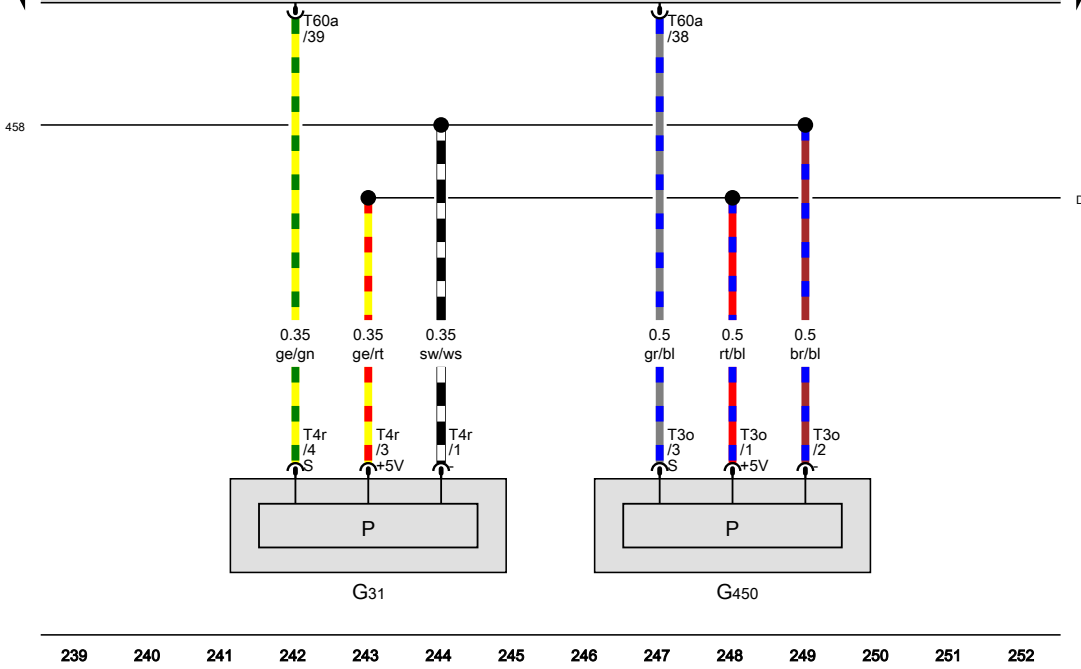
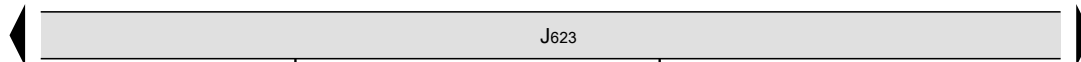
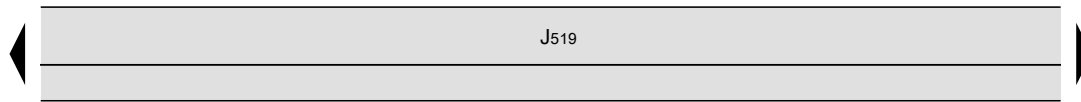
[NH0-079180516]

Charge pressure sender, Exhaust gas pressure sensor 1, Engine control unit

- G31 Charge pressure sender
- G450 Exhaust gas pressure sensor 1
- J519 Onboard supply control unit
- J623 Engine control unit
- T3o 3-pin connector
- T4r 4-pin connector
- T60a 60-pin connector

458 Earth point 3, engine prewiring harness

D174 Connection 2 (5V) in engine prewiring harness



- ws = white
- sw = black
- ro = red
- rt = red
- br = brown
- gn = green
- bl = blue
- gr = grey
- li = purple
- vi = purple
- ge = yellow
- or = orange
- rs = pink

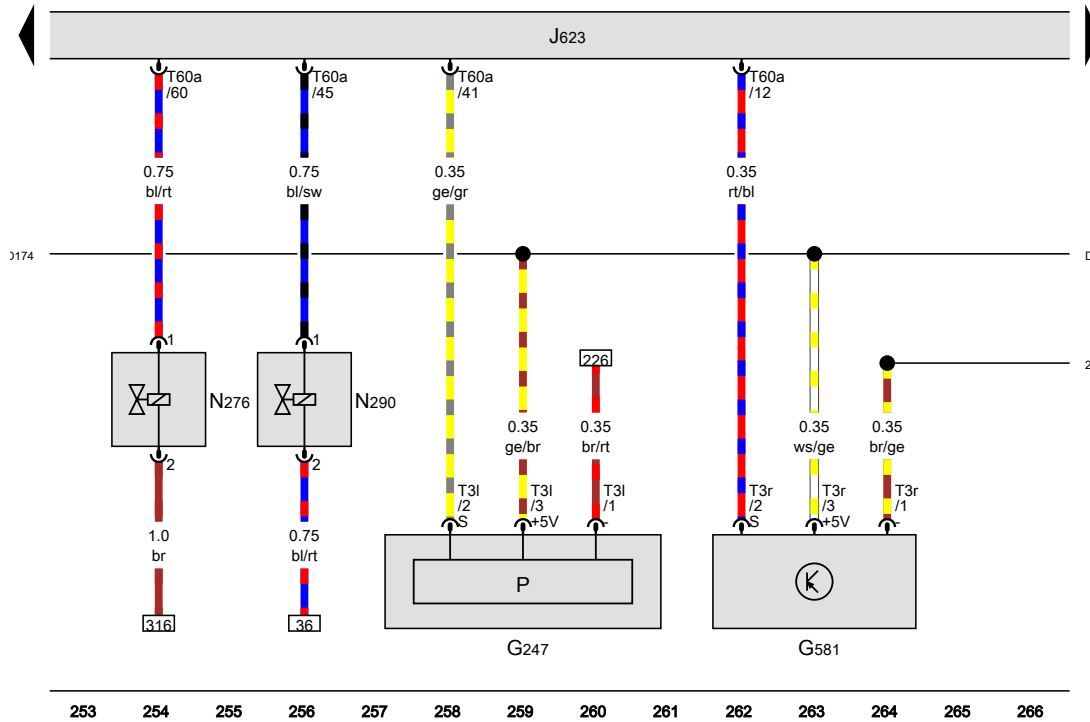
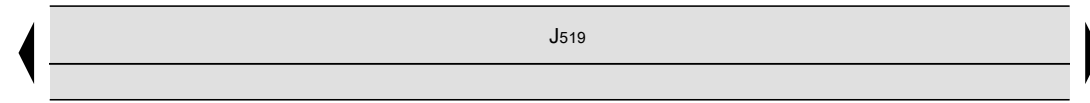
[NH0-079190516]

Fuel pressure sender, Position sender for charge pressure positioner, Engine control unit, Fuel pressure regulating valve, Fuel metering valve

- G247 Fuel pressure sender
- G581 Position sender for charge pressure positioner
- J519 Onboard supply control unit
- J623 Engine control unit
- N276 Fuel pressure regulating valve
- N290 Fuel metering valve
- T3l 3-pin connector
- T3r 3-pin connector
- T60a 60-pin connector

281 Earth point 1, engine prewiring harness

D174 Connection 2 (5V) in engine prewiring harness



- ws = white
- sw = black
- ro = red
- rt = red
- br = brown
- gn = green
- bl = blue
- gr = grey
- li = purple
- vi = purple
- ge = yellow
- or = orange
- rs = pink

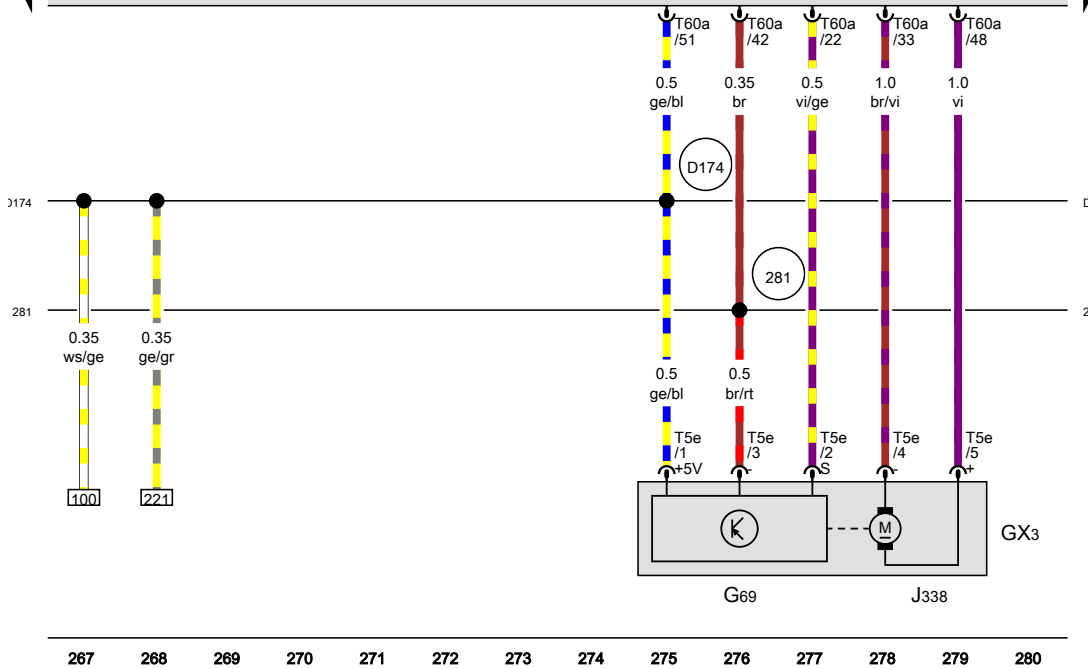
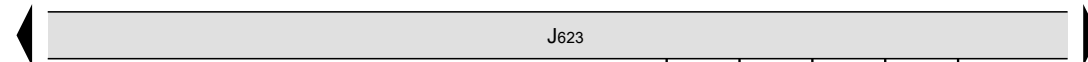
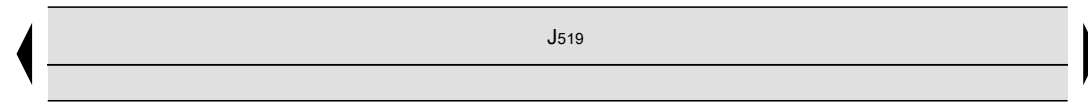
[NH0-079200516]

Throttle valve module, Engine control unit

- GX3 Throttle valve module
- G69 Throttle valve potentiometer
- J338 Throttle valve module
- J519 Onboard supply control unit
- J623 Engine control unit
- T5e 5-pin connector
- T60a 60-pin connector

(281) Earth point 1, engine prewiring harness

(D174) Connection 2 (5V) in engine prewiring harness



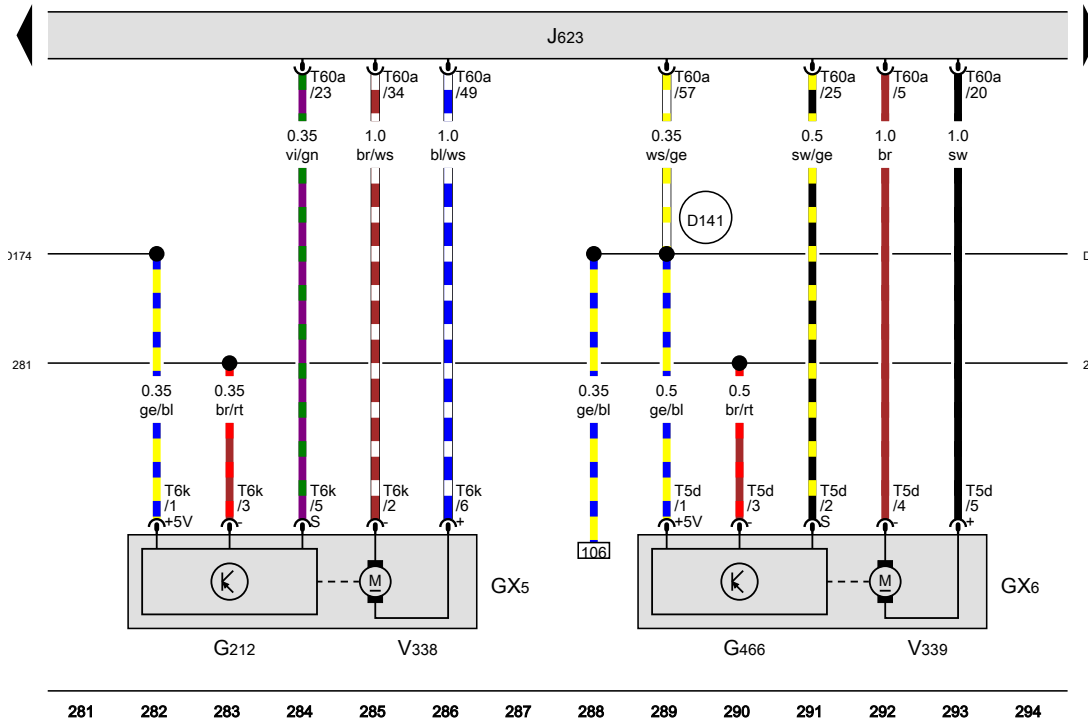
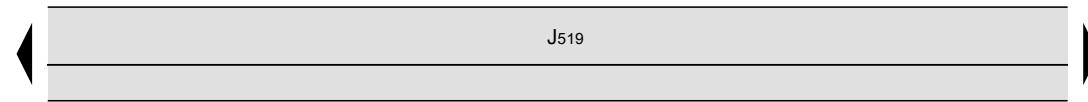
- ws = white
- sw = black
- ro = red
- rt = red
- br = brown
- gn = green
- bl = blue
- gr = grey
- li = purple
- vi = purple
- ge = yellow
- or = orange
- rs = pink

[NH0-079210516]

Exhaust gas recirculation valve 1, Exhaust gas recirculation valve 2, Engine control unit

- GX5 Exhaust gas recirculation valve 1
- GX6 Exhaust gas recirculation valve 2
- G212 Exhaust gas recirculation potentiometer
- G466 Exhaust gas recirculation potentiometer 2
- J519 Onboard supply control unit
- J623 Engine control unit
- T5d 5-pin connector
- T6k 6-pin connector
- T60a 60-pin connector
- V338 Exhaust gas recirculation control motor
- V339 Exhaust gas recirculation control motor 2

- 281 Earth point 1, engine prewiring harness
- D141 Connection (5V) in engine prewiring harness
- D174 Connection 2 (5V) in engine prewiring harness



- ws = white
- sw = black
- ro = red
- rt = red
- br = brown
- gn = green
- bl = blue
- gr = grey
- li = purple
- vi = purple
- ge = yellow
- or = orange
- rs = pink

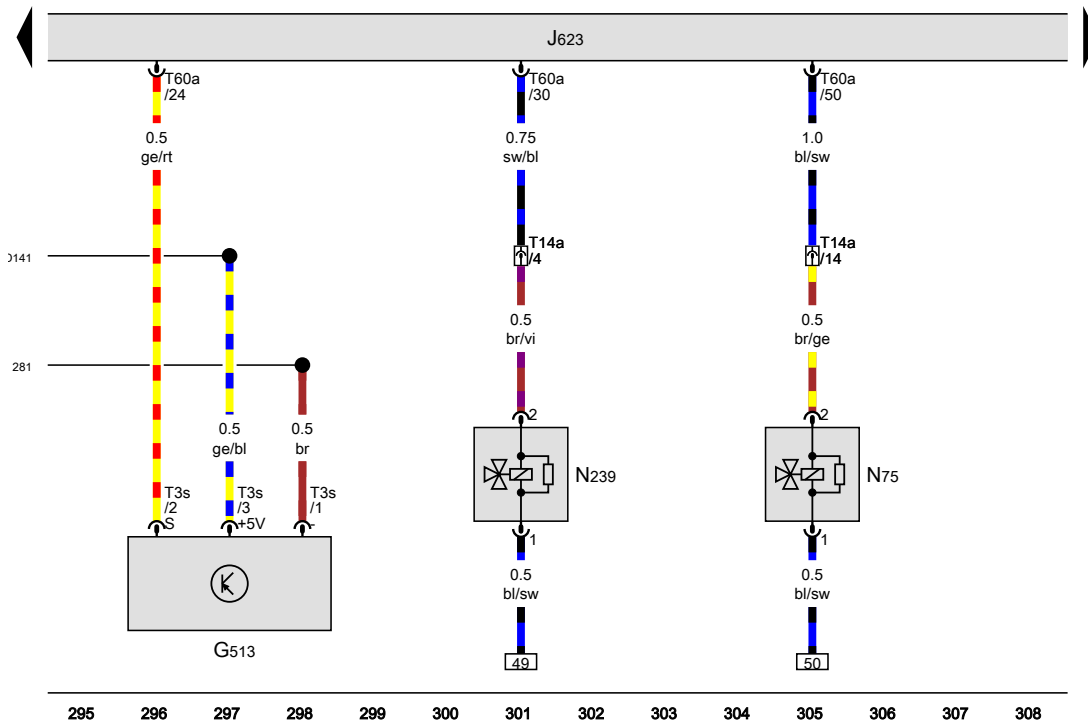
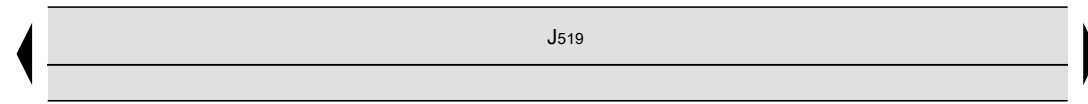
[NH0-079220516]

Variable intake manifold position sender, Engine control unit, Charge pressure control solenoid valve, Variable intake manifold flap changeover valve

- G513 Variable intake manifold position sender
- J519 Onboard supply control unit
- J623 Engine control unit
- N75 Charge pressure control solenoid valve
- N239 Variable intake manifold flap changeover valve
- T3s 3-pin connector
- T14a 14-pin connector, front left in engine compartment
- T60a 60-pin connector

281 Earth point 1, engine prewiring harness

D141 Connection (5V) in engine prewiring harness

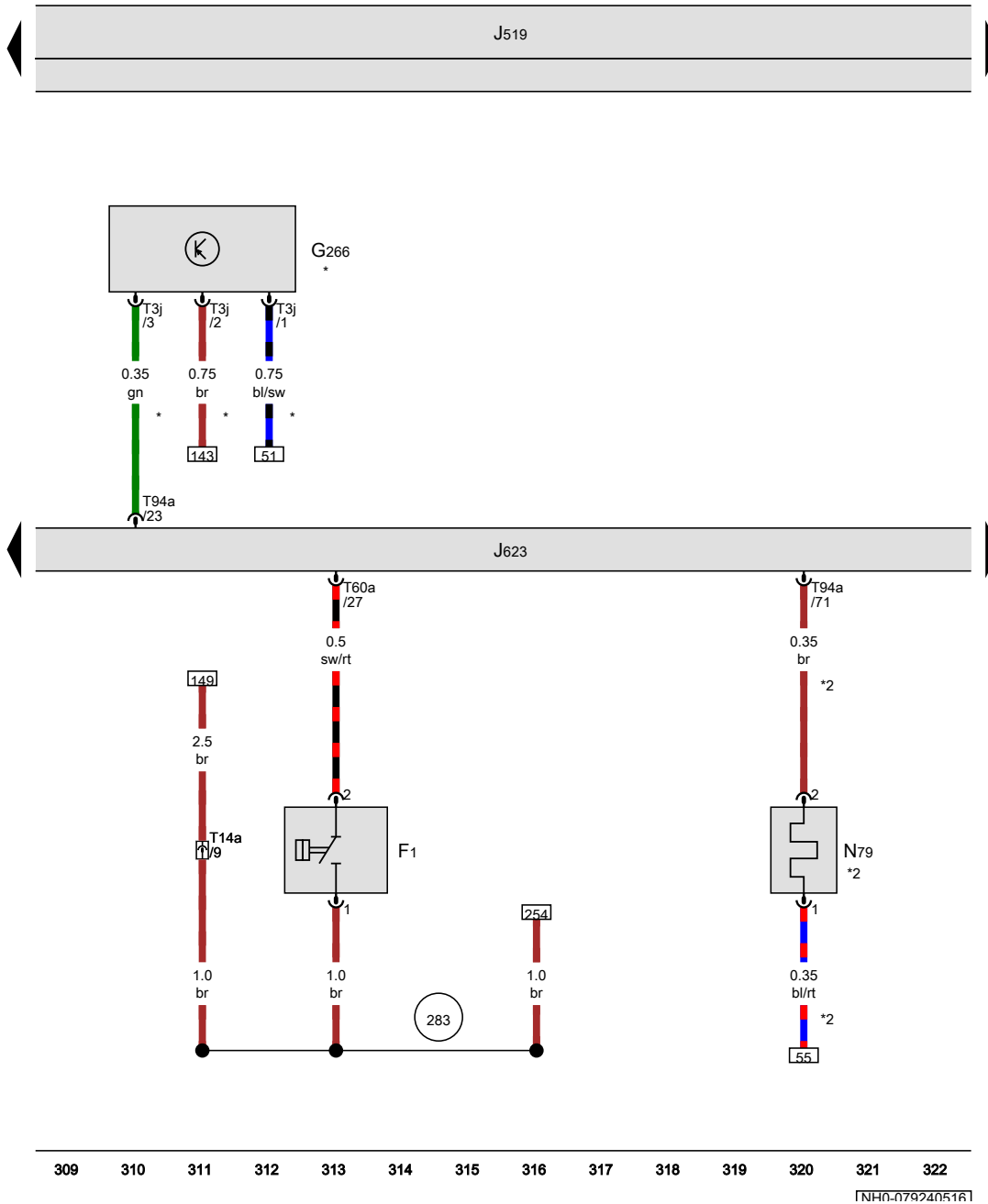


- ws = white
- sw = black
- ro = red
- rt = red
- br = brown
- gn = green
- bl = blue
- gr = grey
- li = purple
- vi = purple
- ge = yellow
- or = orange
- rs = pink

[NH0-079230516]

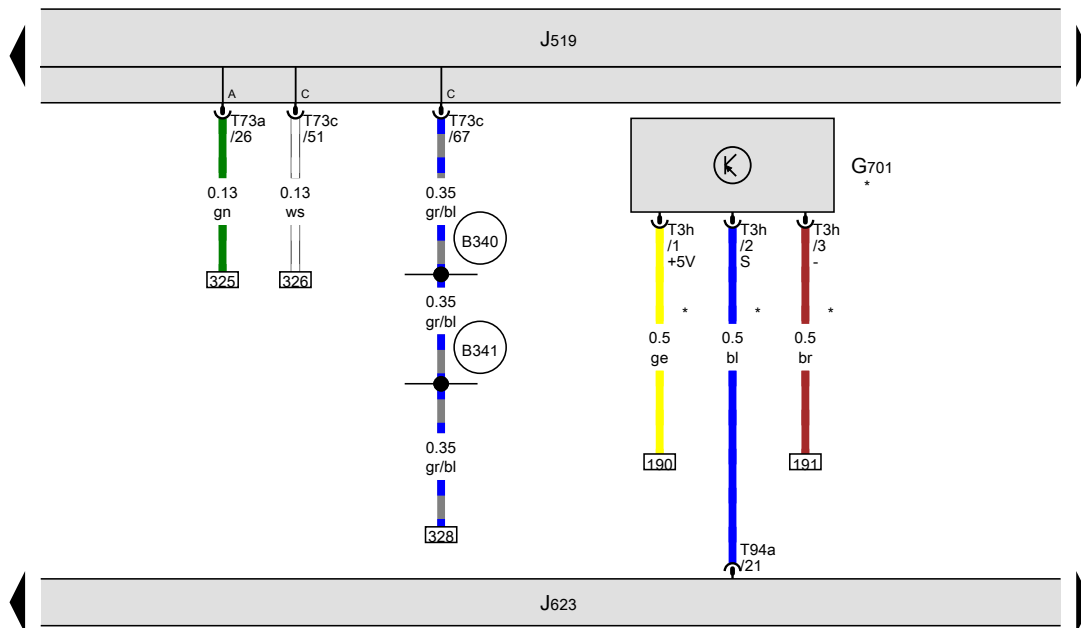
Oil pressure switch, Oil level and oil temperature sender, Engine control unit, Heater element for crankcase breather

- F1 Oil pressure switch
- G266 Oil level and oil temperature sender
- J519 Onboard supply control unit
- J623 Engine control unit
- N79 Heater element for crankcase breather
- T3j 3-pin connector
- T14a 14-pin connector, front left in engine compartment
- T60a 60-pin connector
- T94a 94-pin connector
- 283 Earth point 2, engine prewiring harness
- * Only models with extended servicing intervals (ESI)
- *2 Special equipment



- ws = white
- sw = black
- ro = red
- rt = red
- br = brown
- gn = green
- bl = blue
- gr = grey
- li = purple
- vi = purple
- ge = yellow
- or = orange
- rs = pink

Centre switch module in dash panel, Start/Stop operation button, Gearbox neutral position sender, Engine control unit

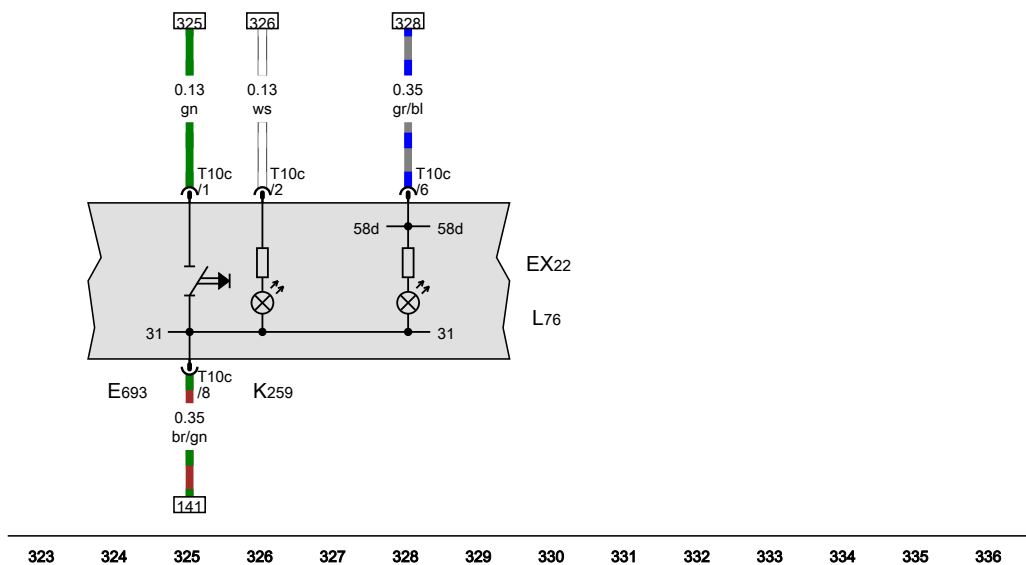


- EX22 Centre switch module in dash panel
- E693 Start/Stop operation button
- G701 Gearbox neutral position sender
- J519 Onboard supply control unit
- J623 Engine control unit
- K259 Start/Stop operation warning lamp
- L76 Button illumination bulb
- T3h 3-pin connector
- T10c 10-pin connector, black
- T73a 73-pin connector, black
- T73c 73-pin connector, black
- T94a 94-pin connector

B340 Connection 1 (58d), in main wiring harness

B341 Connection 2 (58d), in main wiring harness

* Only models with manual gearbox



- ws = white
- sw = black
- ro = red
- rt = red
- br = brown
- gn = green
- bl = blue
- gr = grey
- li = purple
- vi = purple
- ge = yellow
- or = orange
- rs = pink

323 324 325 326 327 328 329 330 331 332 333 334 335 336

[NH0-079250516]

Fuel delivery unit, Fuel pump relay, Engine control unit

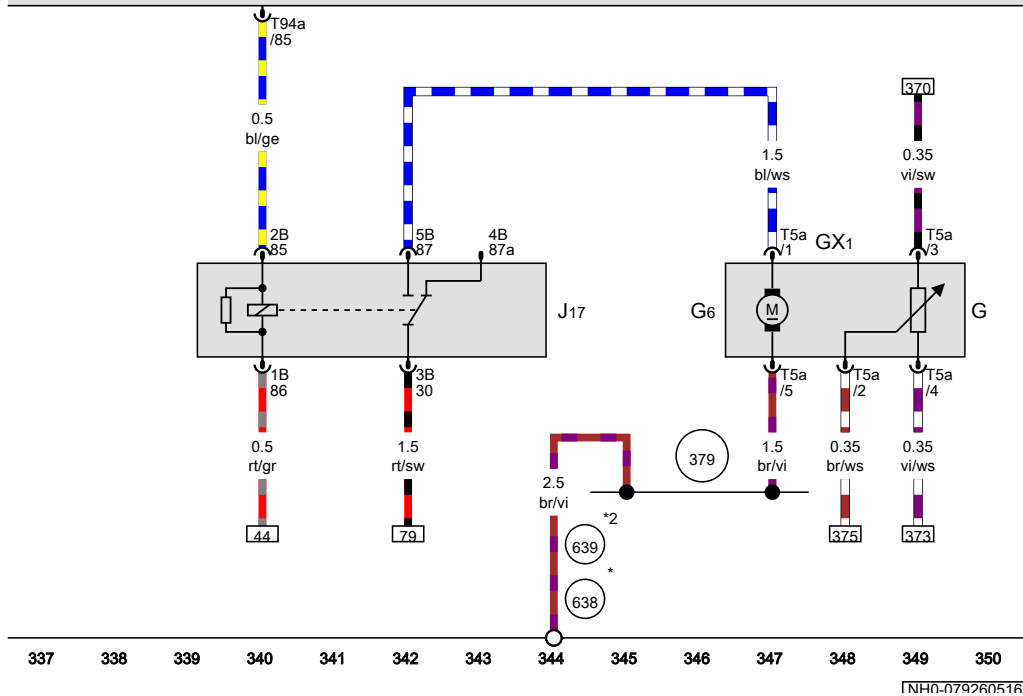
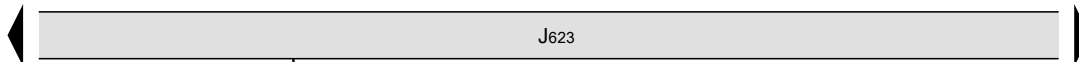
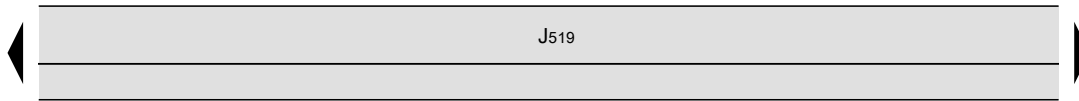
- G Fuel gauge sender
- GX1 Fuel delivery unit
- G6 Fuel system pressurisation pump
- J17 Fuel pump relay
- J519 Onboard supply control unit
- J623 Engine control unit
- T5a 5-pin connector
- T94a 94-pin connector

379 Earth connection 14, in main wiring harness

638 Earth point, on right A-pillar

639 Earth point, left A-pillar

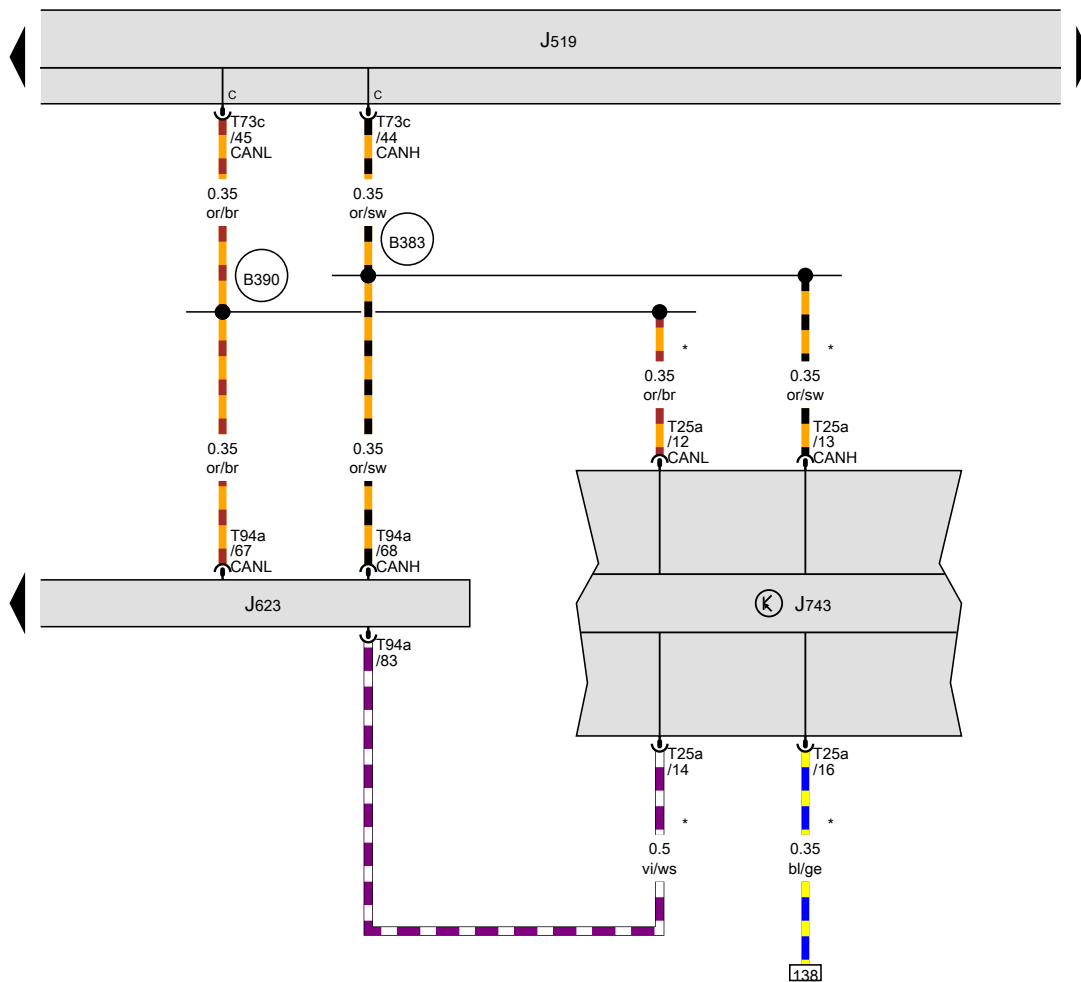
- * Only left-hand drive models
- *2 Only right-hand drive models



- ws = white
- sw = black
- ro = red
- rt = red
- br = brown
- gn = green
- bl = blue
- gr = grey
- li = purple
- vi = purple
- ge = yellow
- or = orange
- rs = pink

[NH0-079260516]

Engine control unit, Mechatronic unit for dual clutch gearbox



- J519 Onboard supply control unit
- J623 Engine control unit
- J743 Mechatronic unit for dual clutch gearbox
- T25a 25-pin connector
- T73c 73-pin connector, black
- T94a 94-pin connector

B383 Connection 1 (powertrain CAN bus, high), in main wiring harness

B390 Connection 1 (powertrain CAN bus, low), in main wiring harness

* Only models with automatic gearbox

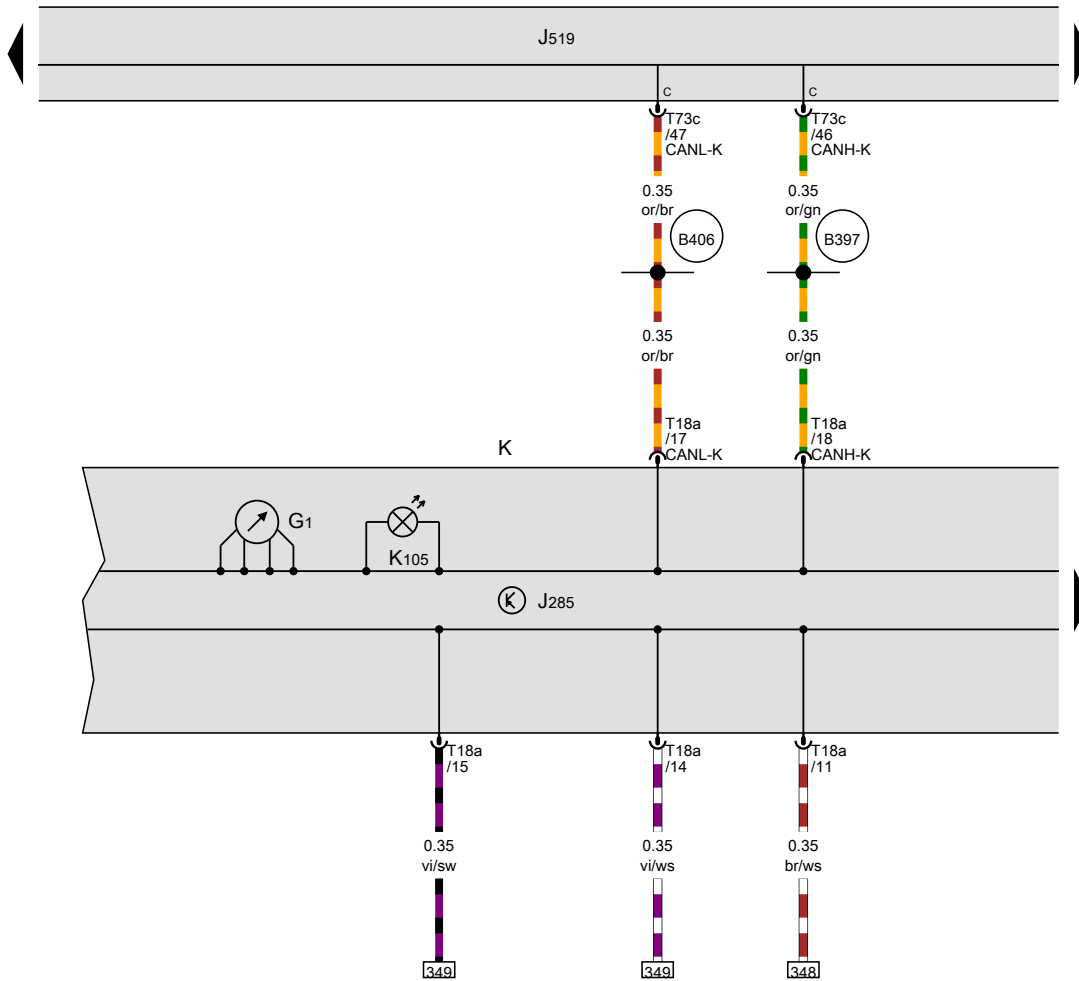
- ws = white
- sw = black
- ro = red
- rt = red
- br = brown
- gn = green
- bl = blue
- gr = grey
- li = purple
- vi = purple
- ge = yellow
- or = orange
- rs = pink

351 352 353 354 355 356 357 358 359 360 361 362 363 364

[NH0-079270516]

Fuel gauge, Dash panel insert

- G1 Fuel gauge
- J285 Control unit in dash panel insert
- J519 Onboard supply control unit
- K Dash panel insert
- K105 Reserve fuel warning lamp
- T18a 18-pin connector
- T73c 73-pin connector, black
- B397** Connection 1 (convenience CAN bus, high), in main wiring harness
- B406** Connection 1 (convenience CAN bus, low), in main wiring harness



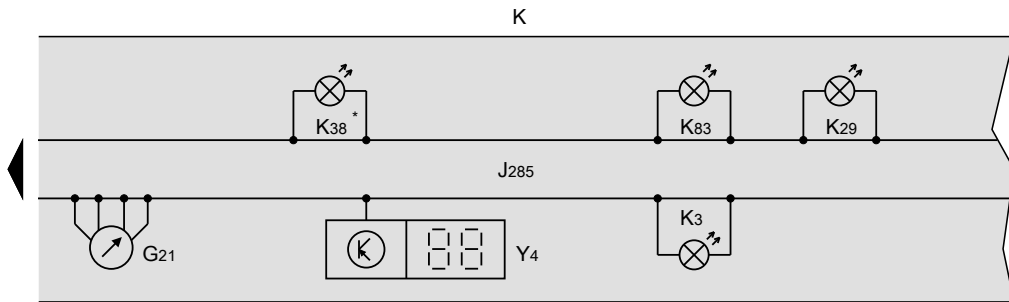
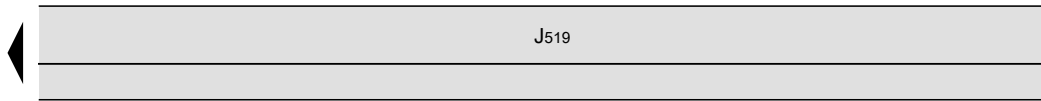
- ws = white
- sw = black
- ro = red
- rt = red
- br = brown
- gn = green
- bl = blue
- gr = grey
- li = purple
- vi = purple
- ge = yellow
- or = orange
- rs = pink

365 366 367 368 369 370 371 372 373 374 375 376 377 378

[NH0-079280516]

Speedometer, Dash panel insert, Trip counter

- G21 Speedometer
- J285 Control unit in dash panel insert
- J519 Onboard supply control unit
- K Dash panel insert
- K3 Oil pressure warning lamp
- K29 Glow period warning lamp
- K38 Oil level warning lamp
- K83 Exhaust emissions warning lamp
- Y4 Trip counter
- * Only models with extended servicing intervals (ESI)



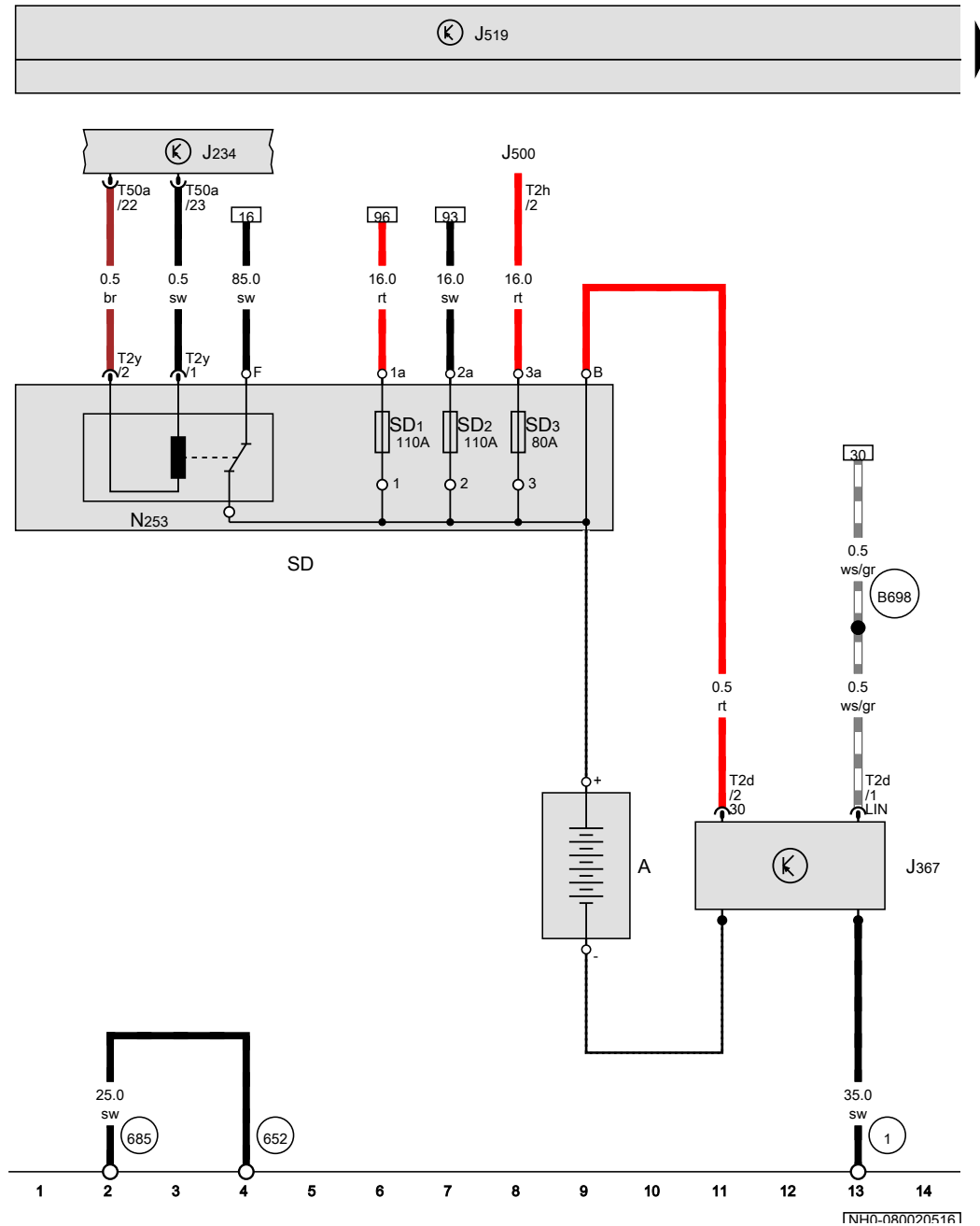
379 380 381 382 383 384 385 386 387 388 389 390 391 392

[NH0-079290516]

- ws = white
- sw = black
- ro = red
- rt = red
- br = brown
- gn = green
- bl = blue
- gr = grey
- li = purple
- vi = purple
- ge = yellow
- or = orange
- rs = pink

1.6l diesel engine with start/stop system , CXMA,(7L6)

From November 2015



Battery, Airbag control unit, Battery monitor control unit, Battery isolation igniter, Fuse holder D

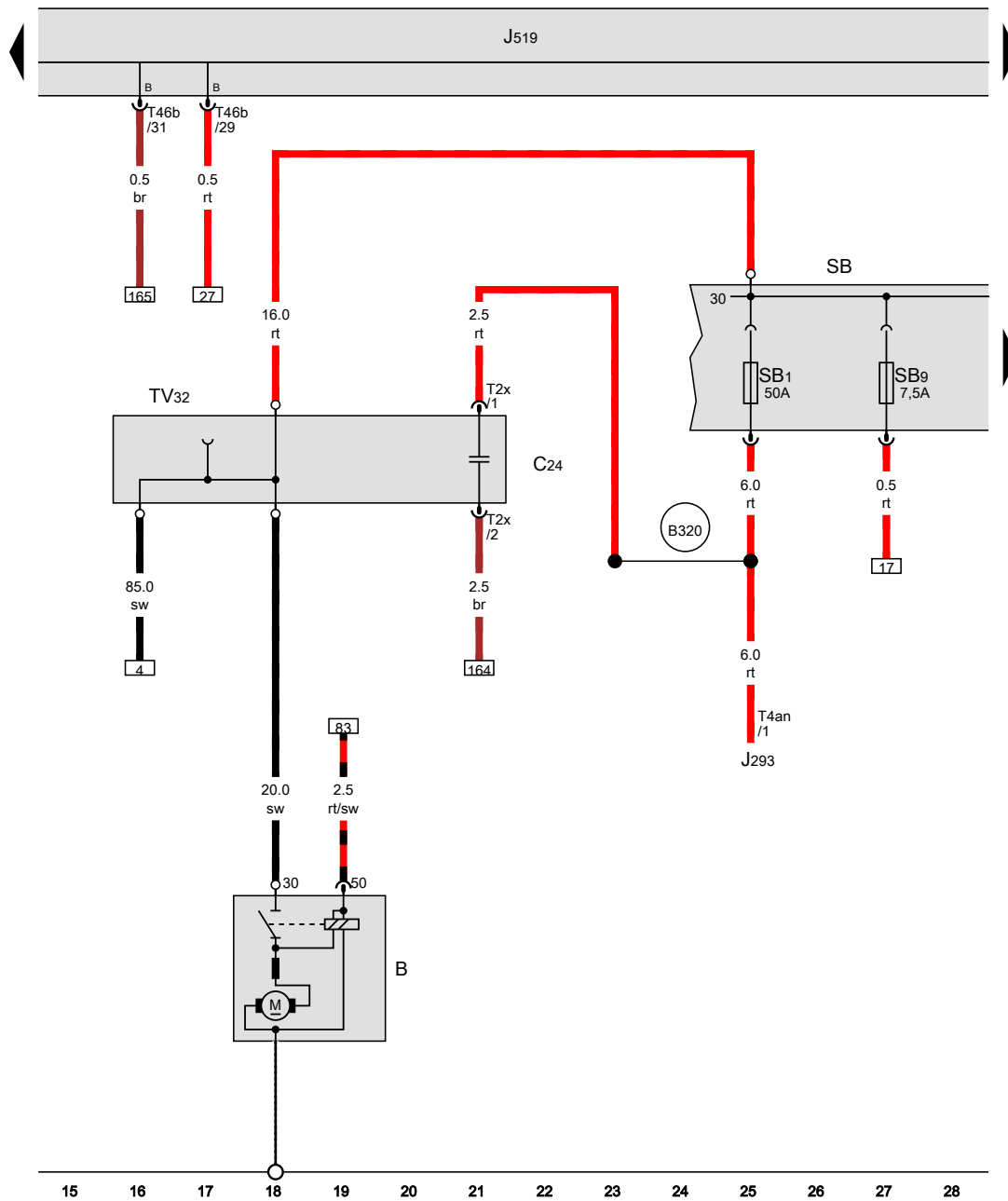
- A Battery
- J234 Airbag control unit
- J367 Battery monitor control unit
- J500 Power steering control unit
- J519 Onboard supply control unit
- N253 Battery isolation igniter
- SD Fuse holder D
- SD1 Fuse 1 on fuse holder D
- SD2 Fuse 2 on fuse holder D
- SD3 Fuse 3 on fuse holder D
- T2d 2-pin connector
- T2h 2-pin connector
- T2y 2-pin connector
- T50a 50-pin connector

- 1 Earth strap, battery - body
- 652 Earth point, engine and gearbox earth
- 685 Earth point 1 at front of right longitudinal member
- B698 Connection 3 (LIN bus) in main wiring harness

- ws = white
- sw = black
- ro = red
- rt = red
- br = brown
- gn = green
- bl = blue
- gr = grey
- li = purple
- vi = purple
- ge = yellow
- or = orange
- rs = pink

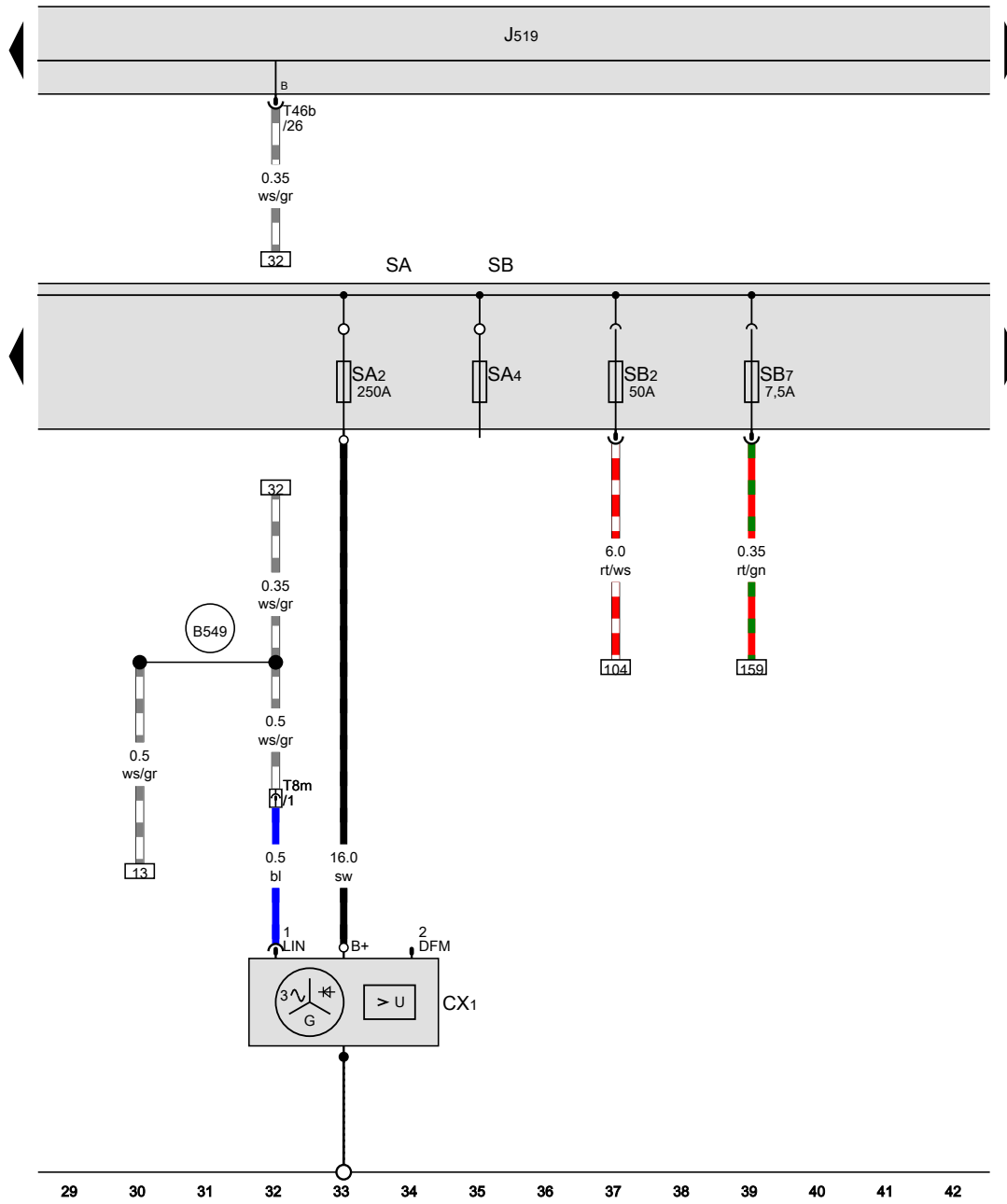
[NH0-080020516]

Starter, Fuse holder B, Jump start connection



- B Starter
- C24 Suppression filter
- J293 Radiator fan control unit
- J519 Onboard supply control unit
- SB Fuse holder B
- SB1 Fuse 1 on fuse holder B
- SB9 Fuse 9 on fuse holder B
- T2x 2-pin connector
- T4an 4-pin connector
- T46b 46-pin connector, brown
- TV32 Jump start connection
- B320** Positive connection 6 (30a) in main wiring harness

[NH0-080030516]



Alternator with voltage regulator, Fuse holder A, Fuse holder B

- CX1 Alternator with voltage regulator
- J519 Onboard supply control unit
- SA Fuse holder A
- SA2 Fuse 2 in fuse holder A
- SB2 Fuse 2 on fuse holder B
- SA4 Fuse 4 in fuse holder A
- SB Fuse holder B
- SB7 Fuse 7 on fuse holder B
- T8m 8-pin connector, front left in engine compartment
- T46b 46-pin connector, brown

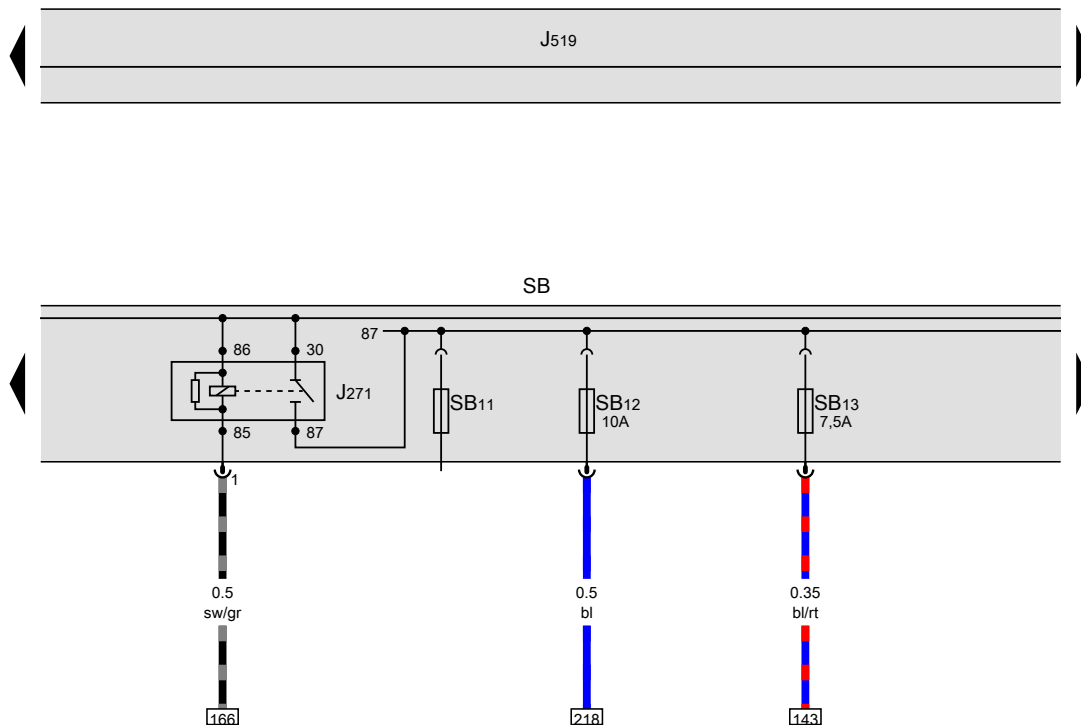
B549 Connection 2 (LIN bus) in main wiring harness

- ws = white
- sw = black
- ro = red
- rt = red
- br = brown
- gn = green
- bl = blue
- gr = grey
- li = purple
- vi = purple
- ge = yellow
- or = orange
- rs = pink

[NH0-080040516]

Main relay, Fuse holder B

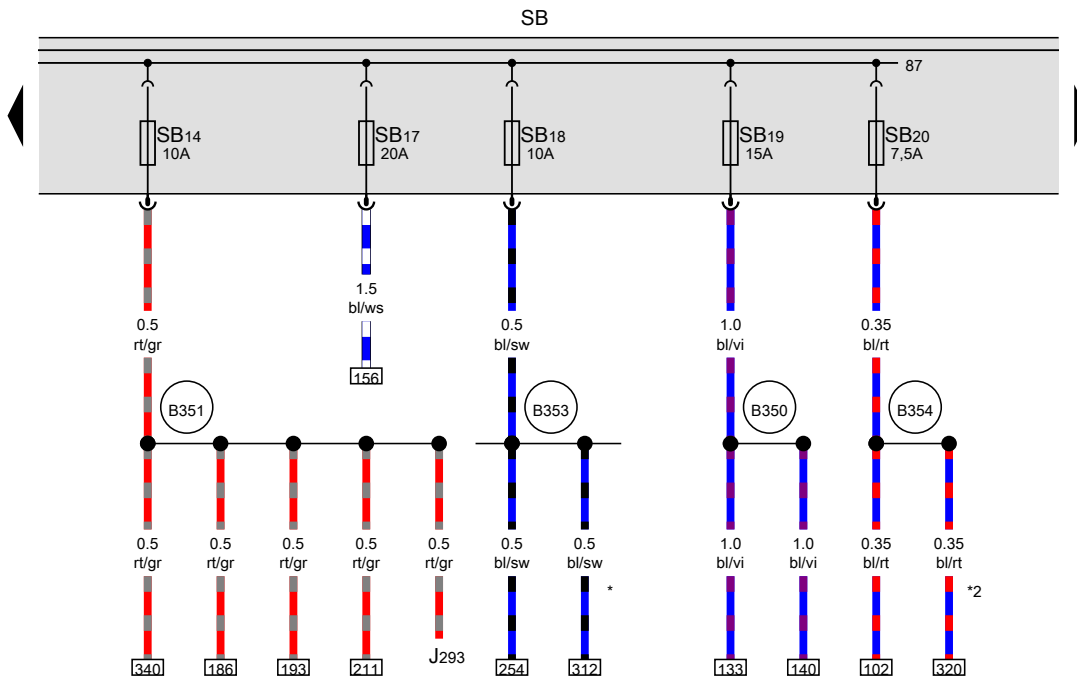
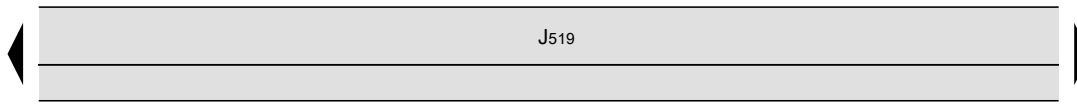
- J271 Main relay
- J519 Onboard supply control unit
- SB Fuse holder B
- SB11 Fuse 11 on fuse holder B
- SB12 Fuse 12 on fuse holder B
- SB13 Fuse 13 on fuse holder B



- ws = white
- sw = black
- ro = red
- rt = red
- br = brown
- gn = green
- bl = blue
- gr = grey
- li = purple
- vi = purple
- ge = yellow
- or = orange
- rs = pink

43 44 45 46 47 48 49 50 51 52 53 54 55 56

[NH0-080050516]



Fuse holder B

- J293 Radiator fan control unit
- J519 Onboard supply control unit
- SB Fuse holder B
- SB14 Fuse 14 on fuse holder B
- SB17 Fuse 17 on fuse holder B
- SB18 Fuse 18 on fuse holder B
- SB19 Fuse 19 on fuse holder B
- SB20 Fuse 20 on fuse holder B

- B350 Positive connection 1 (87a) in main wiring harness
- B351 Positive connection 2 (87a) in main wiring harness
- B353 Positive connection 4 (87a) in main wiring harness
- B354 Positive connection 5 (87a) in main wiring harness
- * Only models with extended servicing intervals (ESI)
- *2 Special equipment

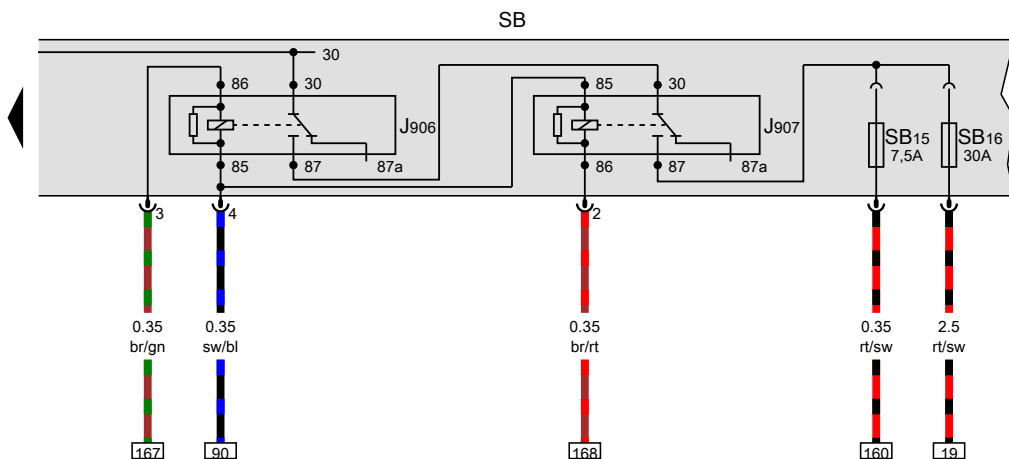
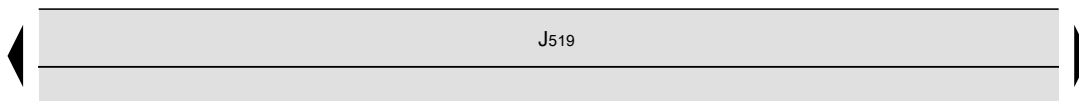
- ws = white
- sw = black
- ro = red
- rt = red
- br = brown
- gn = green
- bl = blue
- gr = grey
- li = purple
- vi = purple
- ge = yellow
- or = orange
- rs = pink

57 58 59 60 61 62 63 64 65 66 67 68 69 70

[NH0-080060516]

Starter relay 1, Starter relay 2, Fuse holder B

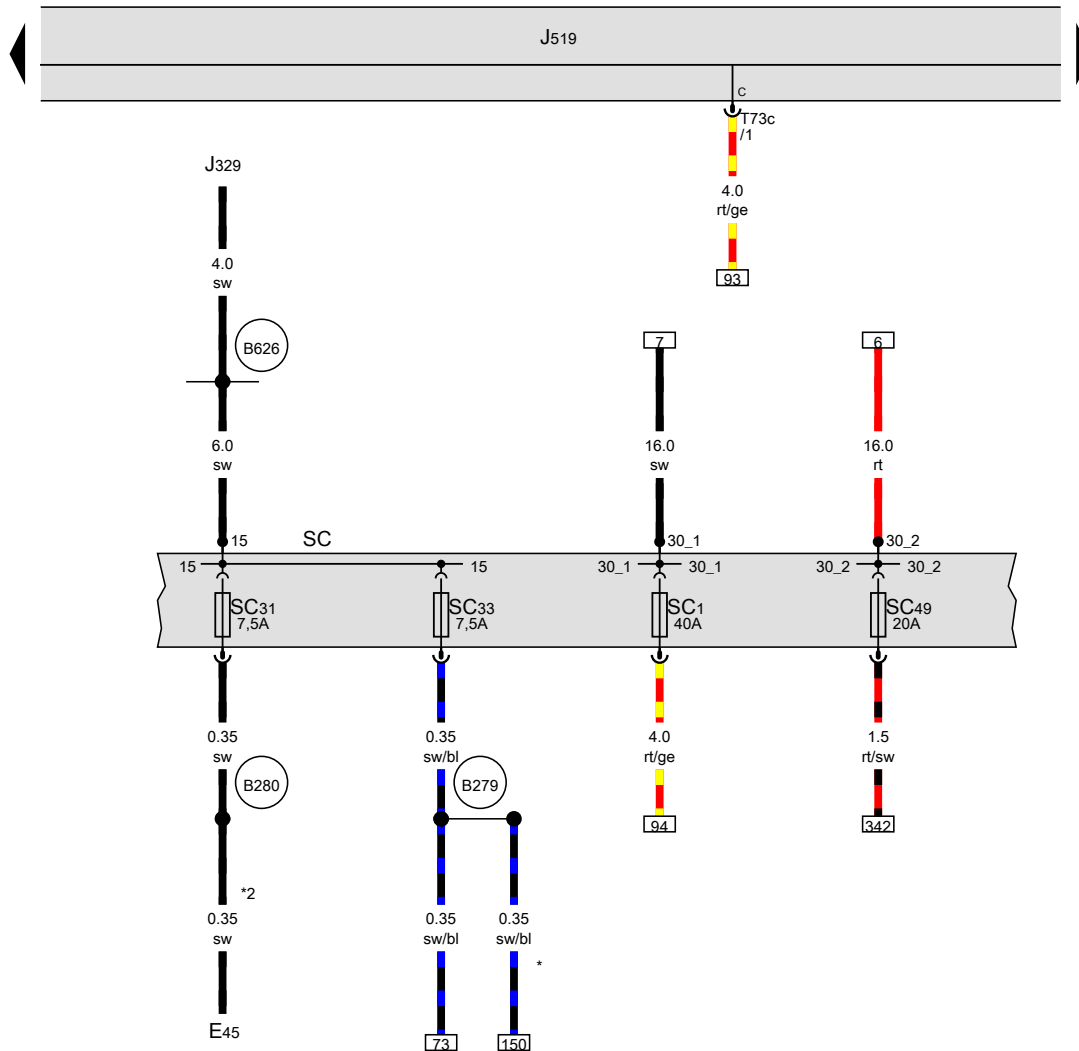
- J519 Onboard supply control unit
- J906 Starter relay 1
- J907 Starter relay 2
- SB Fuse holder B
- SB15 Fuse 15 on fuse holder B
- SB16 Fuse 16 on fuse holder B



- ws = white
- sw = black
- ro = red
- rt = red
- br = brown
- gn = green
- bl = blue
- gr = grey
- li = purple
- vi = purple
- ge = yellow
- or = orange
- rs = pink

71 72 73 74 75 76 77 78 79 80 81 82 83 84

[NH0-080070516]



Fuse holder C

- E45 Cruise control system switch
- J329 Terminal 15 voltage supply relay
- J519 Onboard supply control unit
- SC Fuse holder C
- SC1 Fuse 1 on fuse holder C
- SC31 Fuse 31 on fuse holder C
- SC33 Fuse 33 on fuse holder C
- SC49 Fuse 49 on fuse holder C
- T73c 73-pin connector, black

B279 Positive connection 3 (15a) in main wiring harness

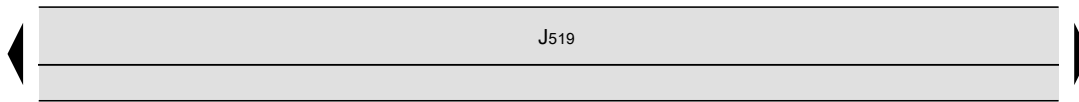
B280 Positive connection 4 (15a) in main wiring harness

B626 Positive connection 2 (15), in main wiring harness

* Only models with manual gearbox

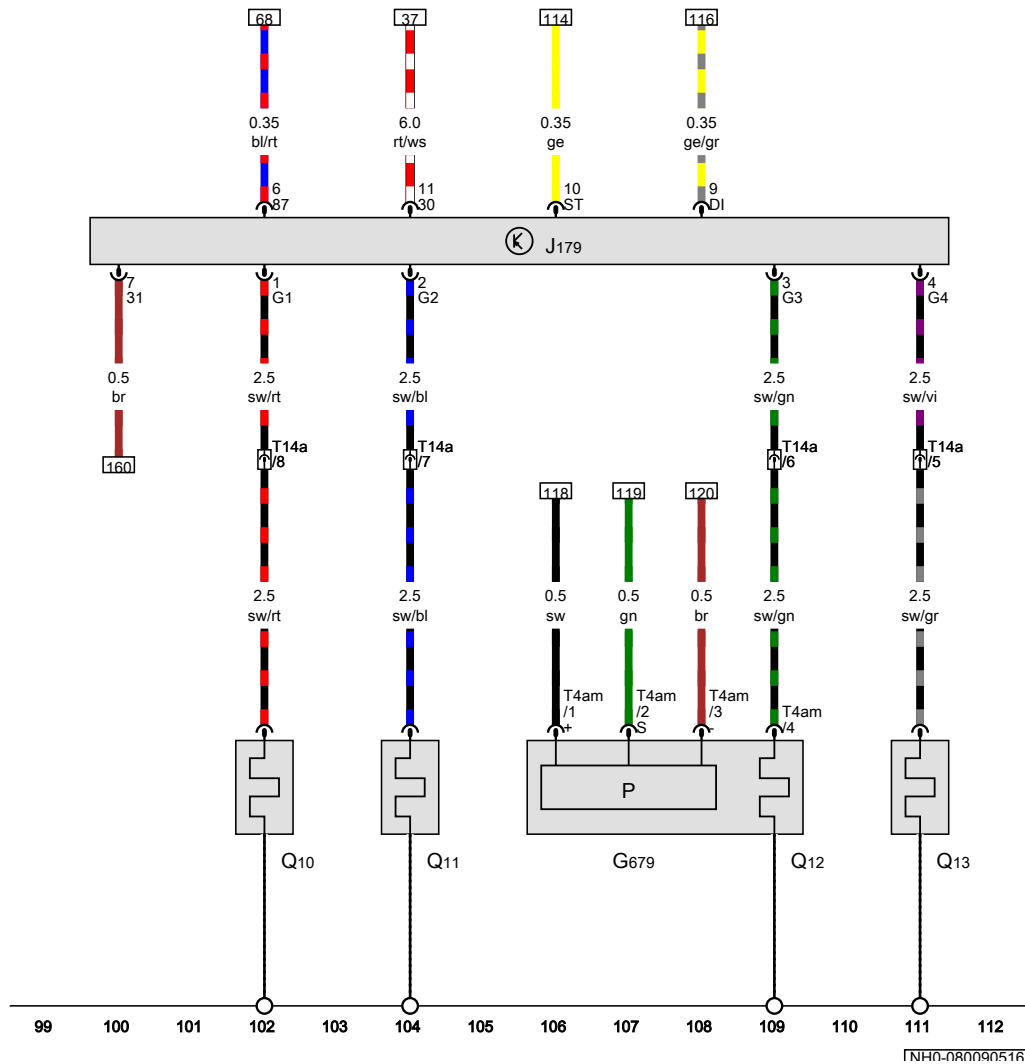
*2 Only models with cruise control system (CCS)

- ws = white
- sw = black
- ro = red
- rt = red
- br = brown
- gn = green
- bl = blue
- gr = grey
- li = purple
- vi = purple
- ge = yellow
- or = orange
- rs = pink



Cylinder 3 combustion chamber pressure sender,
Automatic glow period control unit, Glow plug 1, Glow plug 2,
Glow plug 3, Glow plug 4

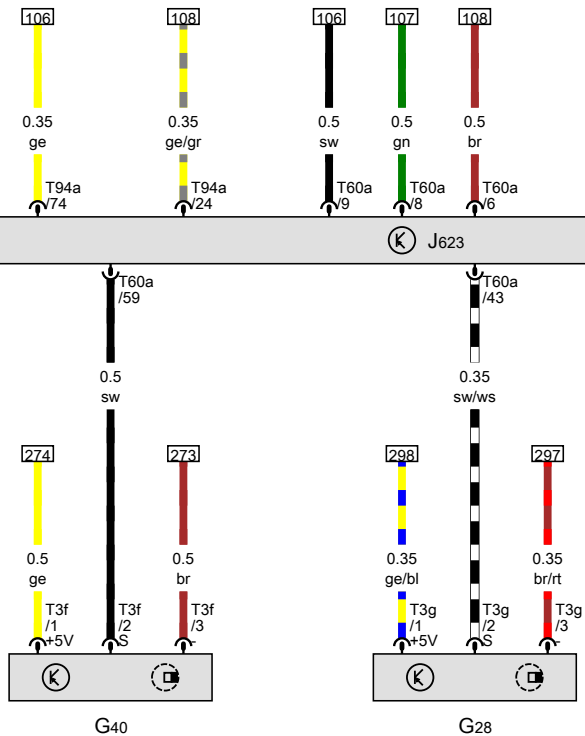
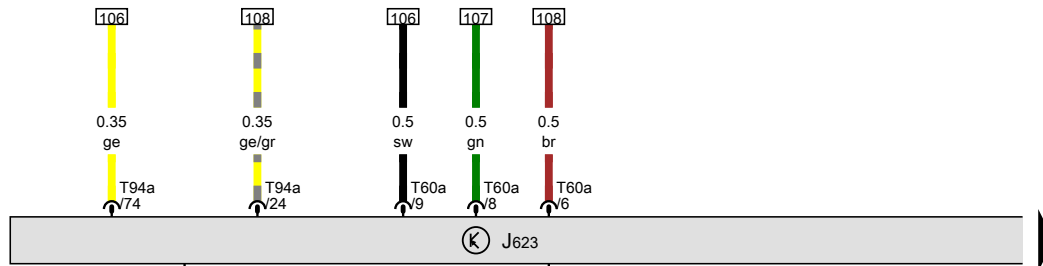
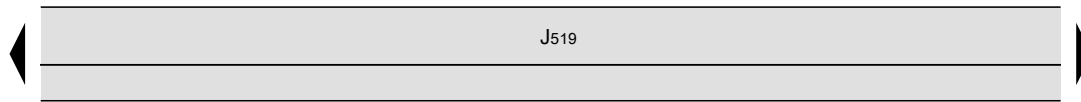
- G679 Cylinder 3 combustion chamber pressure sender
- J179 Automatic glow period control unit
- J519 Onboard supply control unit
- Q10 Glow plug 1
- Q11 Glow plug 2
- Q12 Glow plug 3
- Q13 Glow plug 4
- T4am 4-pin connector
- T14a 14-pin connector, front left in engine compartment



- ws = white
- sw = black
- ro = red
- rt = red
- br = brown
- gn = green
- bl = blue
- gr = grey
- li = purple
- vi = purple
- ge = yellow
- or = orange
- rs = pink

Engine speed sender, Hall sender, Engine control unit

- G28 Engine speed sender
- G40 Hall sender
- J519 Onboard supply control unit
- J623 Engine control unit
- T3f 3-pin connector
- T3g 3-pin connector
- T60a 60-pin connector
- T94a 94-pin connector



- ws = white
- sw = black
- ro = red
- rt = red
- br = brown
- gn = green
- bl = blue
- gr = grey
- li = purple
- vi = purple
- ge = yellow
- or = orange
- rs = pink

113 114 115 116 117 118 119 120 121 122 123 124 125 126

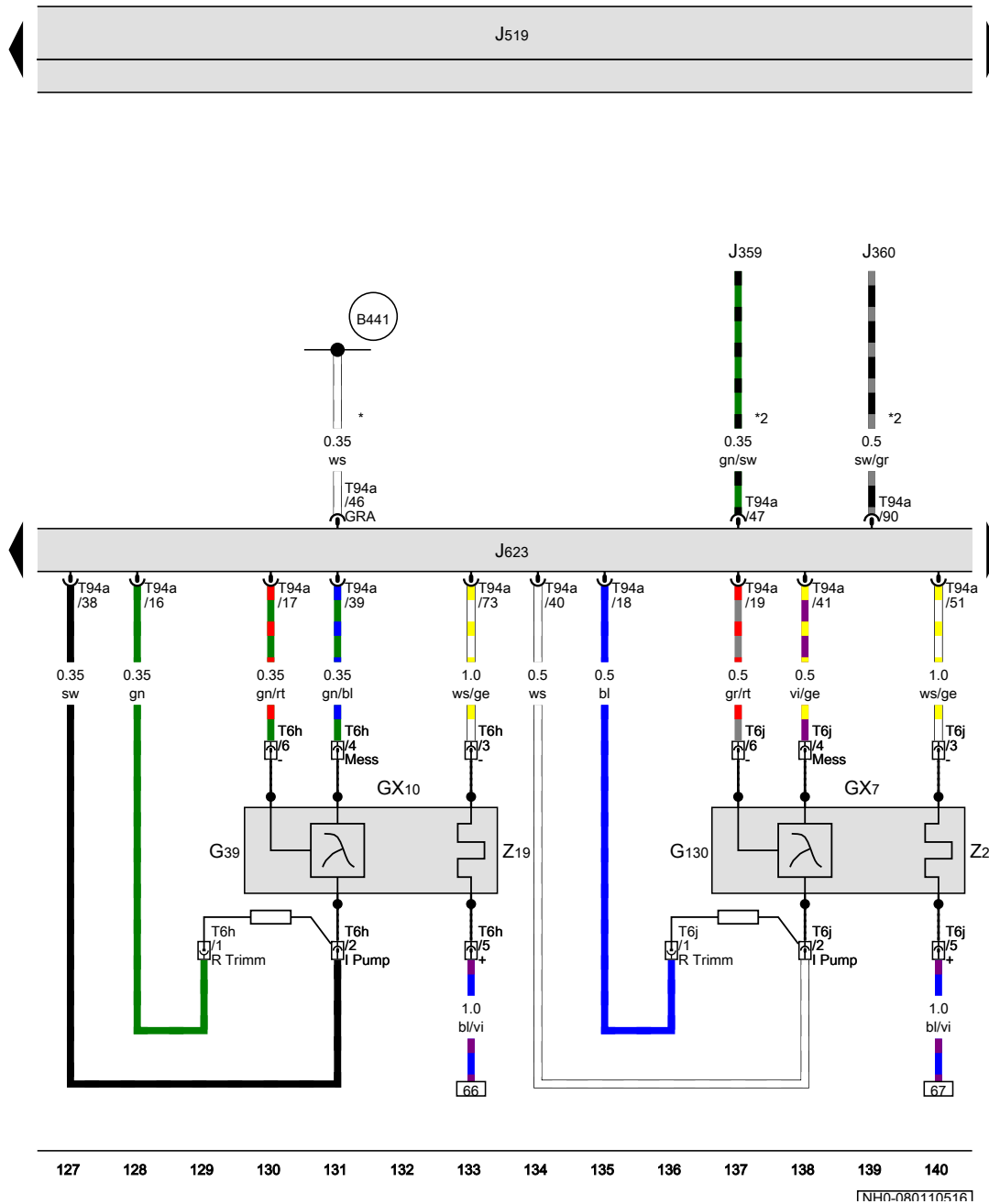
[NH0-080100516]

Lambda probe 1 after catalytic converter, Lambda probe 1 before catalytic converter, Engine control unit

- GX7 Lambda probe 1 after catalytic converter
- GX10 Lambda probe 1 before catalytic converter
- G39 Lambda probe
- G130 Lambda probe after catalytic converter
- J359 Low heat output relay
- J360 High heat output relay
- J519 Onboard supply control unit
- J623 Engine control unit
- T6h 6-pin connector, black
- T6j 6-pin connector, brown
- T94a 94-pin connector
- Z19 Lambda probe heater
- Z29 Lambda probe 1 heater after catalytic converter

B441 Connection (CCS), in main wiring harness

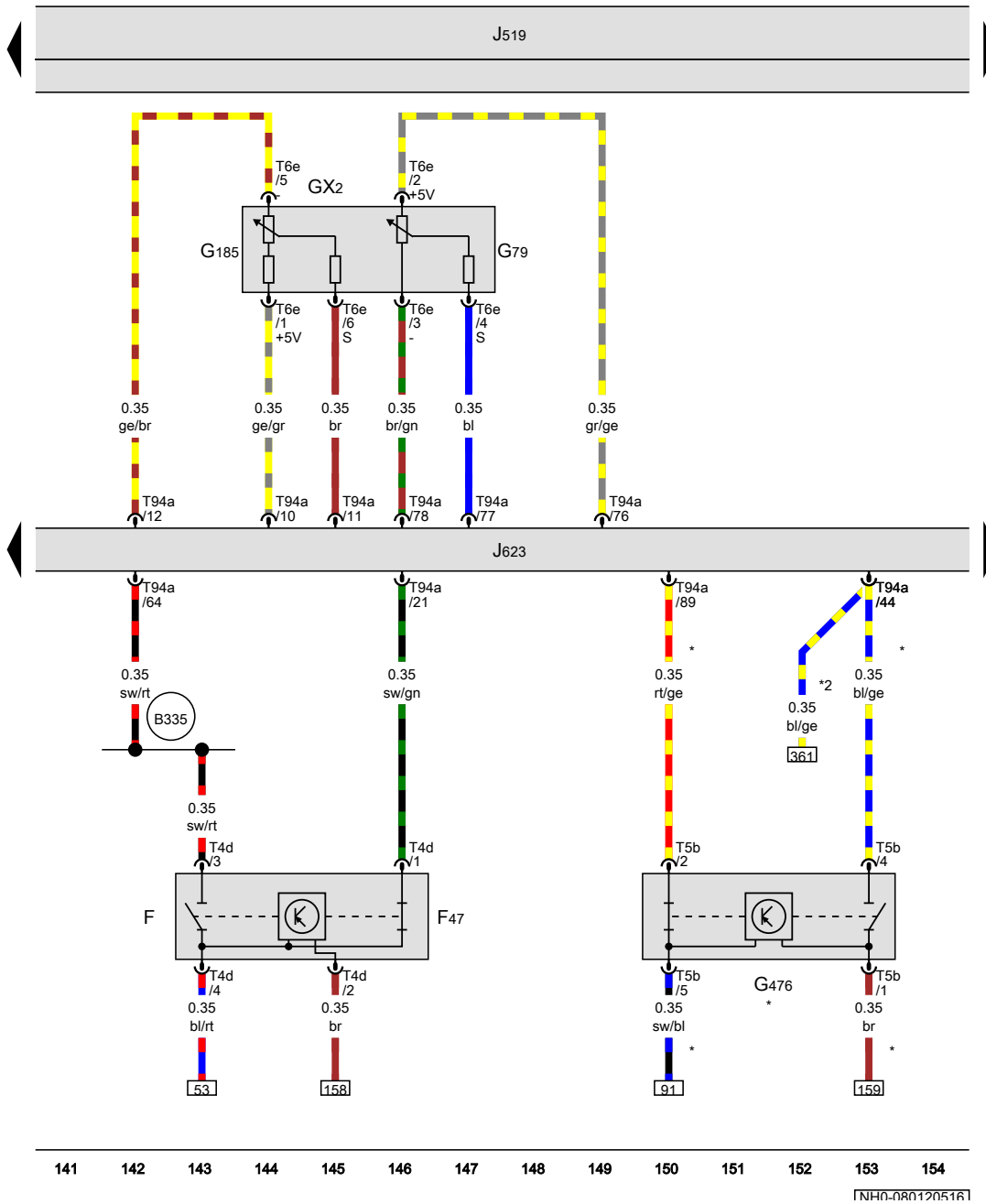
- * Only models with cruise control system (CCS)
- *2 Only models with auxiliary air heater



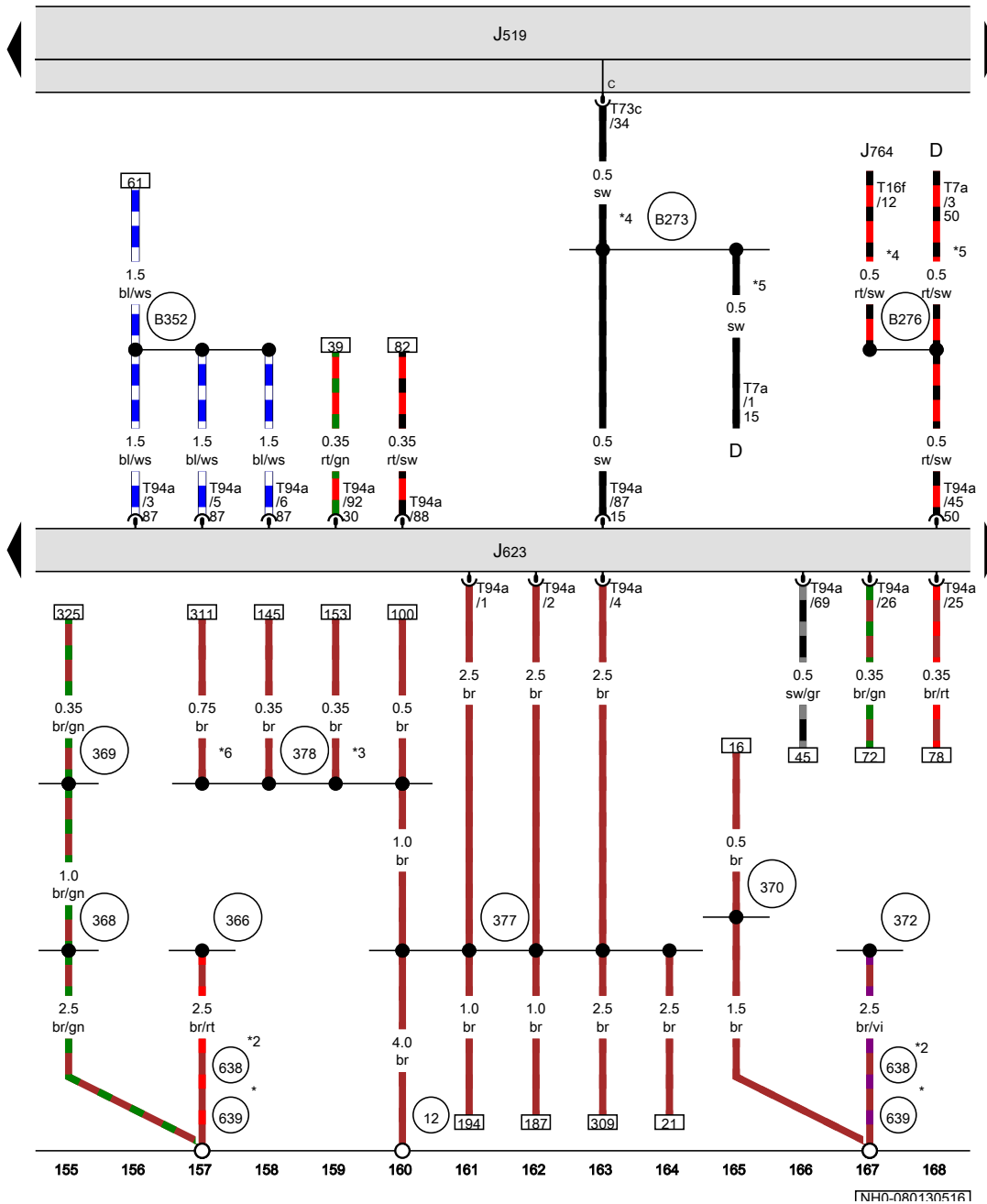
[NH0-080110516]

Brake pedal switch, Accelerator pedal module, Clutch position sender, Engine control unit

- F Brake light switch
 - F47 Brake pedal switch
 - GX2 Accelerator pedal module
 - G79 Accelerator position sender
 - G185 Accelerator position sender 2
 - G476 Clutch position sender
 - J519 Onboard supply control unit
 - J623 Engine control unit
 - T4d 4-pin connector
 - T5b 5-pin connector
 - T6e 6-pin connector
 - T94a 94-pin connector
- B335 Connection 1 (54), in main wiring harness
 * Only models with manual gearbox
 *2 Only models with automatic gearbox



ws = white
 sw = black
 ro = red
 rt = red
 br = brown
 gn = green
 bl = blue
 gr = grey
 li = purple
 vi = purple
 ge = yellow
 or = orange
 rs = pink



Engine control unit

- D Ignition/starter switch
- J519 Onboard supply control unit
- J623 Engine control unit
- J764 Control unit for electronic steering column lock
- T7a 7-pin connector
- T16f 16-pin connector
- T73c 73-pin connector, black
- T94a 94-pin connector

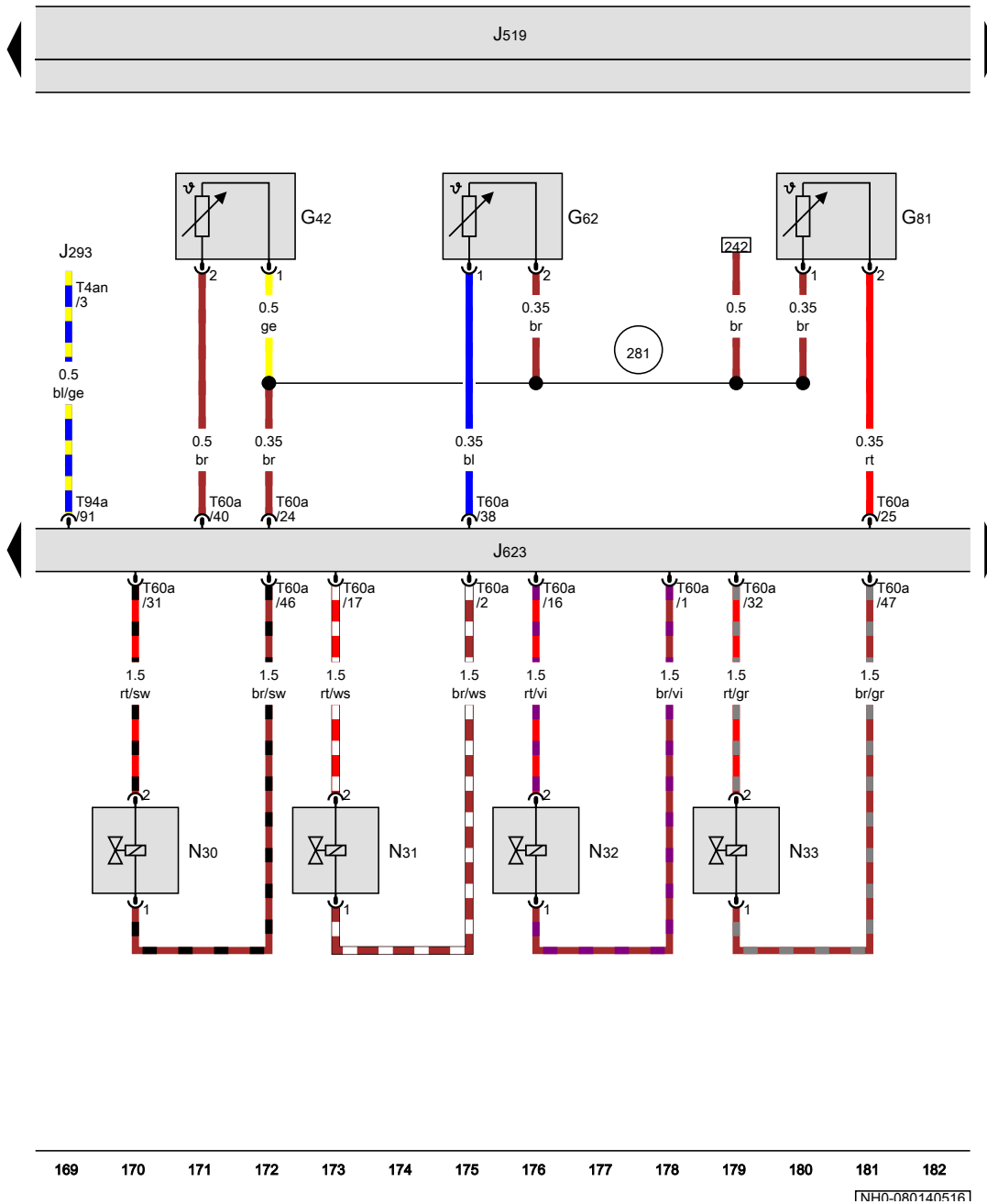
- 12 Earth point, on left in engine compartment
- 366 Earth connection 1, in main wiring harness
- 368 Earth connection 3, in main wiring harness
- 369 Earth connection 4, in main wiring harness
- 370 Earth connection 5, in main wiring harness
- 372 Earth connection 7, in main wiring harness
- 377 Earth connection 12, in main wiring harness
- 378 Earth connection 13, in main wiring harness
- 638 Earth point, on right A-pillar
- 639 Earth point, left A-pillar
- B273 Positive connection (15), in main wiring harness
- B276 Positive connection (50), in main wiring harness
- B352 Positive connection 3 (87a) in main wiring harness

- ws = white
- sw = black
- ro = red
- rt = red
- br = brown
- gn = green
- bl = blue
- gr = grey
- li = purple
- vi = purple
- ge = yellow
- or = orange
- rs = pink

Intake air temperature sender, Coolant temperature sender, Fuel temperature sender, Engine control unit, Injector, cylinder 1, Injector, cylinder 2, Injector, cylinder 3, Injector, cylinder 4

- G42 Intake air temperature sender
- G62 Coolant temperature sender
- G81 Fuel temperature sender
- J293 Radiator fan control unit
- J519 Onboard supply control unit
- J623 Engine control unit
- N30 Injector, cylinder 1
- N31 Injector, cylinder 2
- N32 Injector, cylinder 3
- N33 Injector, cylinder 4
- T4an 4-pin connector
- T60a 60-pin connector
- T94a 94-pin connector

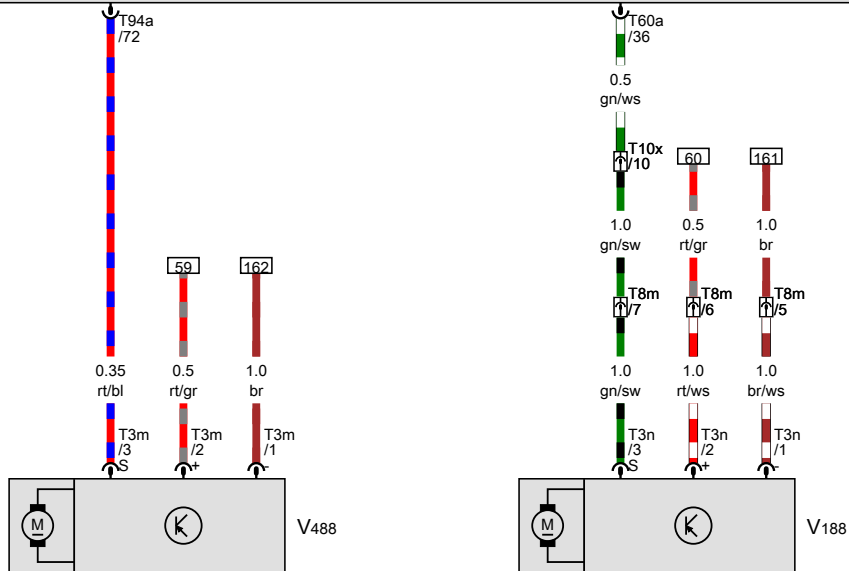
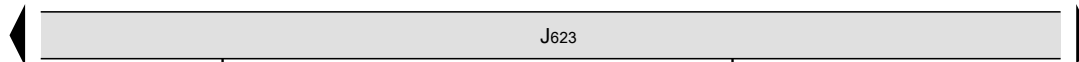
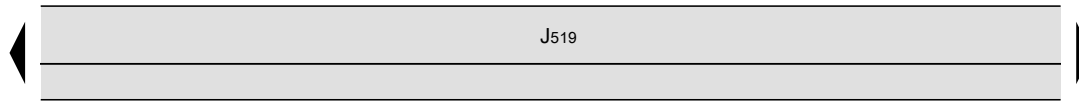
281 Earth point 1, engine prewiring harness



[NH0-080140516]

Engine control unit, Charge air cooling pump, Auxiliary pump for heating

- J519 Onboard supply control unit
- J623 Engine control unit
- T3m 3-pin connector
- T3n 3-pin connector
- T8m 8-pin connector, front left in engine compartment
- T10x 10-pin connector, front left in engine compartment
- T60a 60-pin connector
- T94a 94-pin connector
- V188 Charge air cooling pump
- V488 Auxiliary pump for heating



- ws = white
- sw = black
- ro = red
- rt = red
- br = brown
- gn = green
- bl = blue
- gr = grey
- li = purple
- vi = purple
- ge = yellow
- or = orange
- rs = pink

183 184 185 186 187 188 189 190 191 192 193 194 195 196

[NH0-080150516]

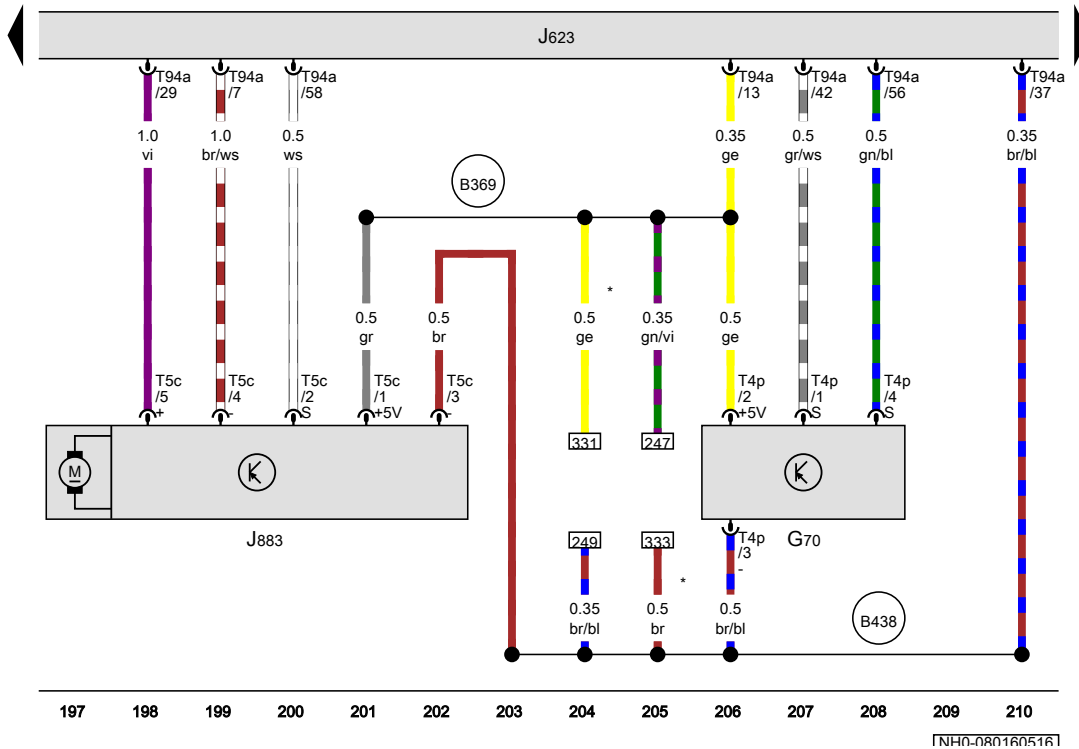
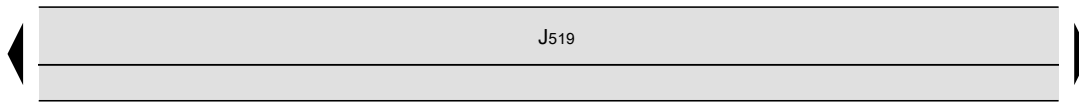
Air mass meter, Engine control unit, Exhaust flap control unit

- G70 Air mass meter
- J519 Onboard supply control unit
- J623 Engine control unit
- J883 Exhaust flap control unit
- T4p 4-pin connector
- T5c 5-pin connector
- T94a 94-pin connector

B369 Connection 1 (5V), in main wiring harness

B438 Connection 2 (GND (earth)), in main wiring harness

* Only models with manual gearbox



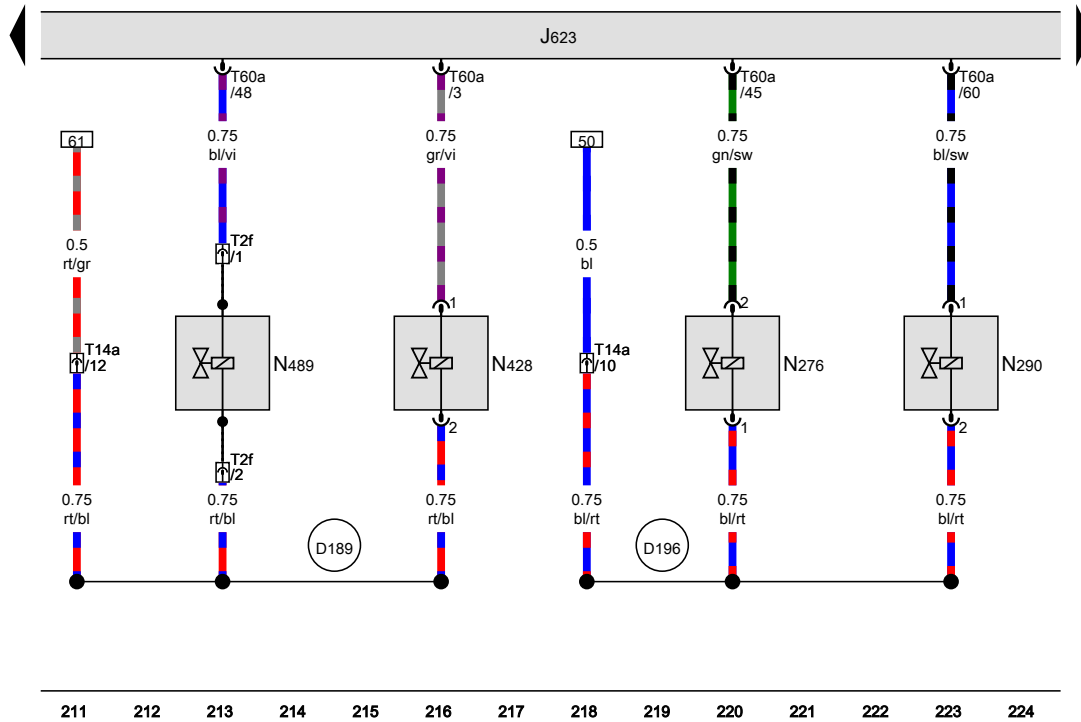
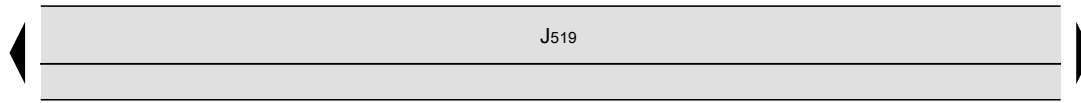
- ws = white
- sw = black
- ro = red
- rt = red
- br = brown
- gn = green
- bl = blue
- gr = grey
- li = purple
- vi = purple
- ge = yellow
- or = orange
- rs = pink

Engine control unit, Fuel pressure regulating valve, Fuel metering valve, Valve for oil pressure control, Coolant valve for cylinder head

- J519 Onboard supply control unit
- J623 Engine control unit
- N276 Fuel pressure regulating valve
- N290 Fuel metering valve
- N428 Valve for oil pressure control
- N489 Coolant valve for cylinder head
- T2f 2-pin connector
- T14a 14-pin connector, front left in engine compartment
- T60a 60-pin connector

D189 Connection (87a) in engine prewiring harness

D196 Connection 2 (87a) in engine prewiring harness

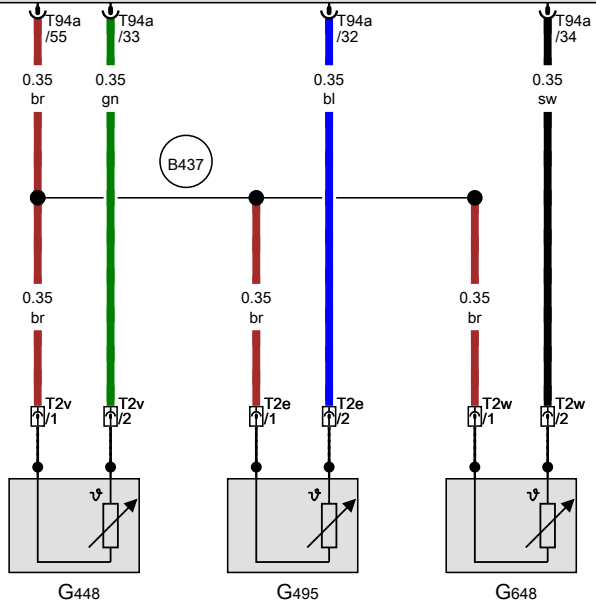
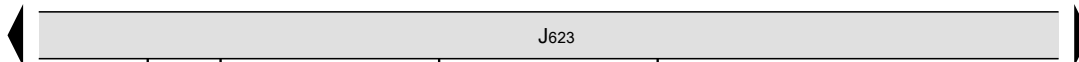
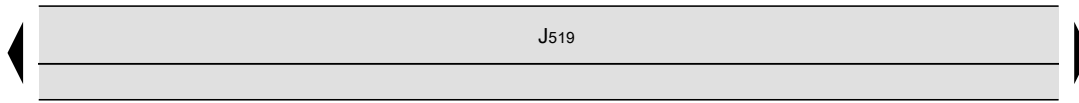


[NH0-080170516]

Exhaust gas temperature sender 2, Exhaust gas temperature sender 3, Exhaust gas temperature sender 4, Engine control unit

- G448 Exhaust gas temperature sender 2
- G495 Exhaust gas temperature sender 3
- G648 Exhaust gas temperature sender 4
- J519 Onboard supply control unit
- J623 Engine control unit
- T2e 2-pin connector, brown
- T2v 2-pin connector, black
- T2w 2-pin connector, orange
- T94a 94-pin connector

B437 Connection 1 (GND (earth)), in main wiring harness



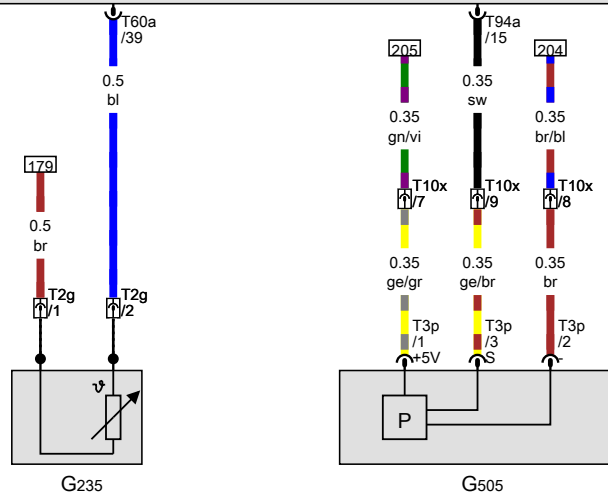
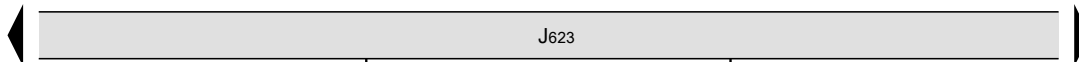
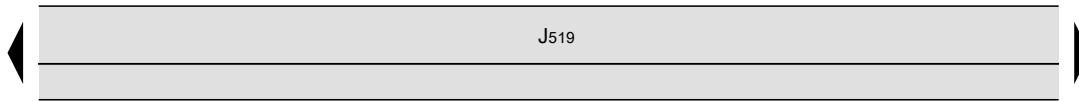
225 226 227 228 229 230 231 232 233 234 235 236 237 238

[NH0-080180516]

- ws = white
- sw = black
- ro = red
- rt = red
- br = brown
- gn = green
- bl = blue
- gr = grey
- li = purple
- vi = purple
- ge = yellow
- or = orange
- rs = pink

Exhaust gas temperature sender 1, Pressure differential sender, Engine control unit

- G235 Exhaust gas temperature sender 1
- G505 Pressure differential sender
- J519 Onboard supply control unit
- J623 Engine control unit
- T2g 2-pin connector
- T3p 3-pin connector
- T10x 10-pin connector, front left in engine compartment
- T60a 60-pin connector
- T94a 94-pin connector



239 240 241 242 243 244 245 246 247 248 249 250 251 252

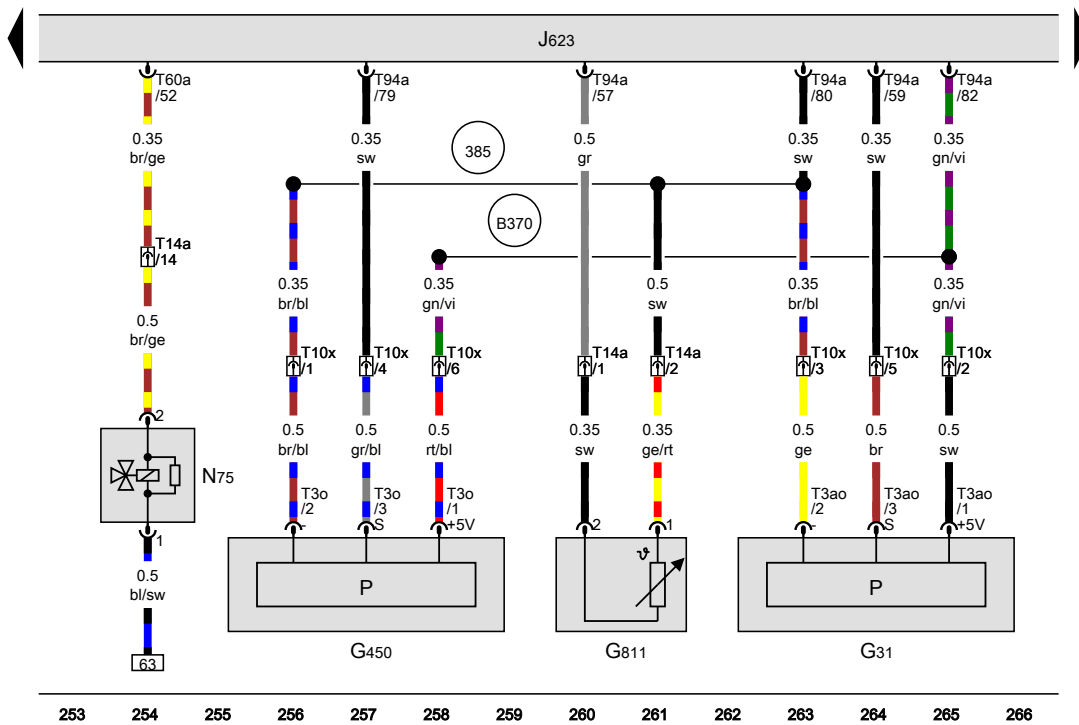
[NH0-080190516]

Charge pressure sender, Exhaust gas pressure sensor 1,
 Charge air temperature sender after charge air cooler,
 Engine control unit, Charge pressure control solenoid valve

- G31 Charge pressure sender
- G450 Exhaust gas pressure sensor 1
- G811 Charge air temperature sender after charge air cooler
- J519 Onboard supply control unit
- J623 Engine control unit
- N75 Charge pressure control solenoid valve
- T3ao 3-pin connector
- T3o 3-pin connector
- T10x 10-pin connector, front left in engine compartment
- T14a 14-pin connector, front left in engine compartment
- T60a 60-pin connector
- T94a 94-pin connector

385 Earth connection 20, in main wiring harness

B370 Connection 2 (5V), in main wiring harness



- ws = white
- sw = black
- ro = red
- rt = red
- br = brown
- gn = green
- bl = blue
- gr = grey
- li = purple
- vi = purple
- ge = yellow
- or = orange
- rs = pink

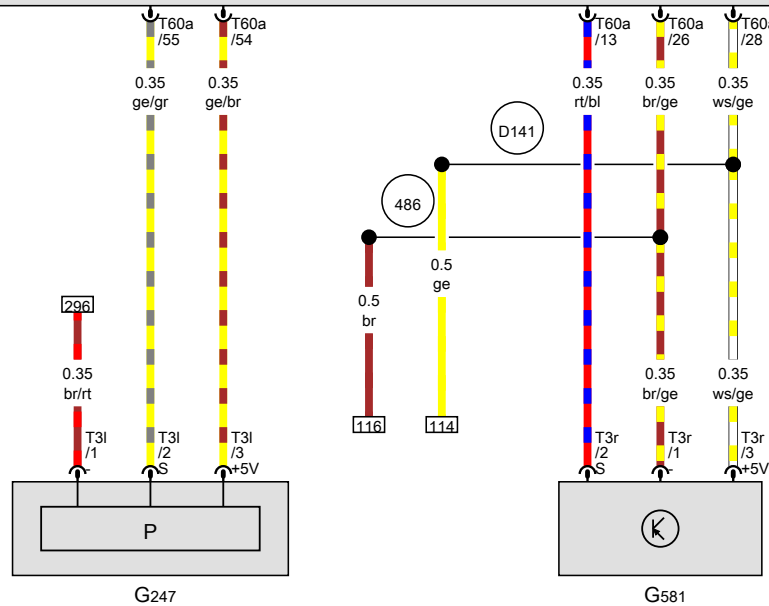
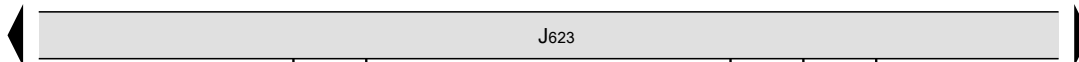
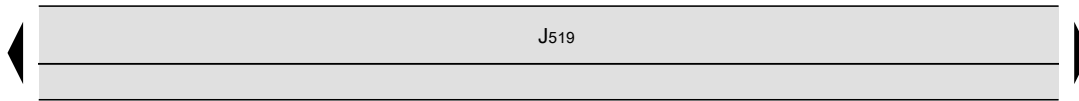
1NH0-0802005161

Fuel pressure sender, Position sender for charge pressure positioner, Engine control unit

- G247 Fuel pressure sender
- G581 Position sender for charge pressure positioner
- J519 Onboard supply control unit
- J623 Engine control unit
- T3l 3-pin connector
- T3r 3-pin connector
- T60a 60-pin connector

486 Earth point 4, engine prewiring harness

D141 Connection (5V) in engine prewiring harness



- ws = white
- sw = black
- ro = red
- rt = red
- br = brown
- gn = green
- bl = blue
- gr = grey
- li = purple
- vi = purple
- ge = yellow
- or = orange
- rs = pink

267 268 269 270 271 272 273 274 275 276 277 278 279 280

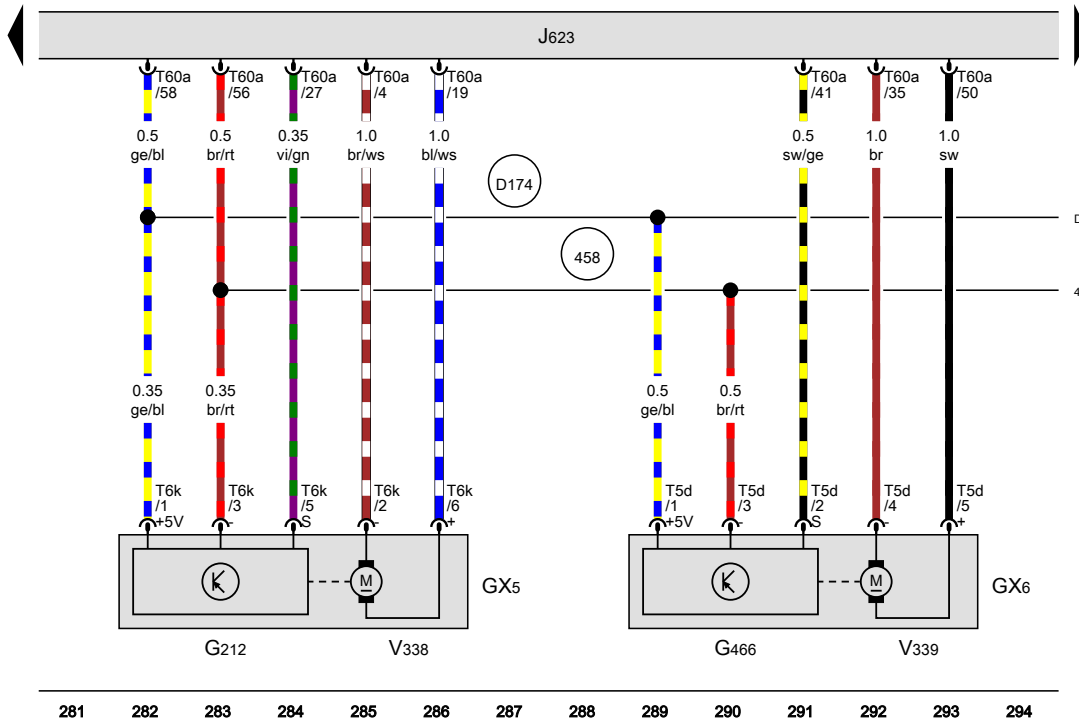
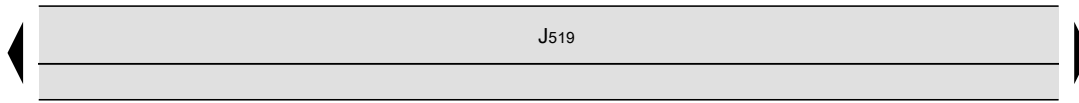
[NH0-080210516]

Exhaust gas recirculation valve 1, Exhaust gas recirculation valve 2, Engine control unit

- GX5 Exhaust gas recirculation valve 1
- GX6 Exhaust gas recirculation valve 2
- G212 Exhaust gas recirculation potentiometer
- G466 Exhaust gas recirculation potentiometer 2
- J519 Onboard supply control unit
- J623 Engine control unit
- T5d 5-pin connector
- T6k 6-pin connector
- T60a 60-pin connector
- V338 Exhaust gas recirculation control motor
- V339 Exhaust gas recirculation control motor 2

458 Earth point 3, engine prewiring harness

D174 Connection 2 (5V) in engine prewiring harness



- ws = white
- sw = black
- ro = red
- rt = red
- br = brown
- gn = green
- bl = blue
- gr = grey
- li = purple
- vi = purple
- ge = yellow
- or = orange
- rs = pink

281 282 283 284 285 286 287 288 289 290 291 292 293 294

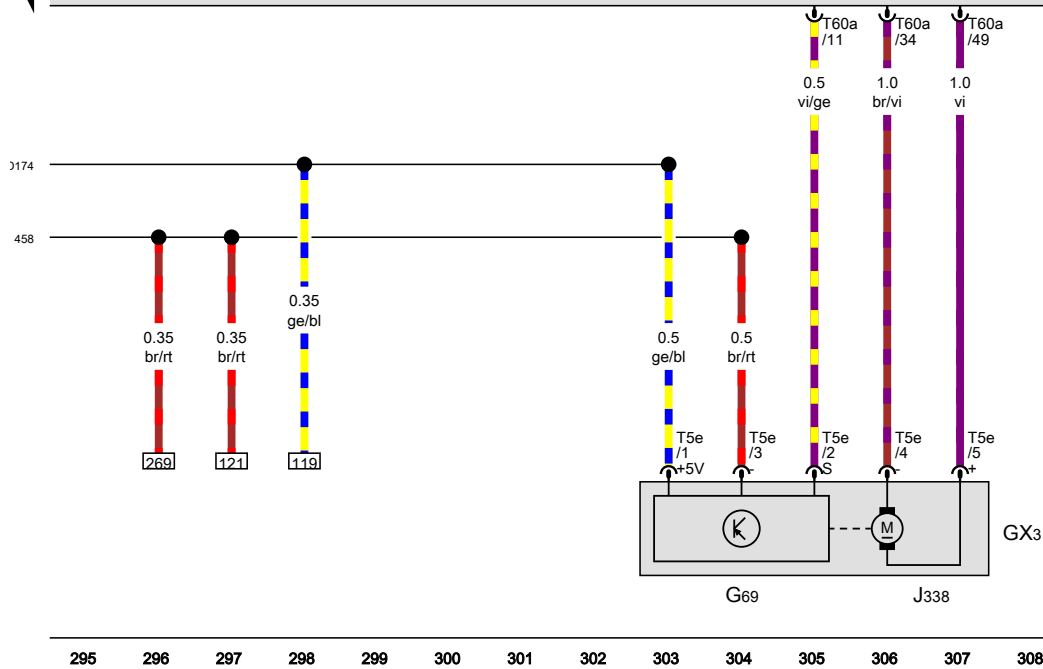
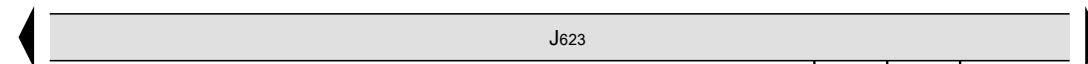
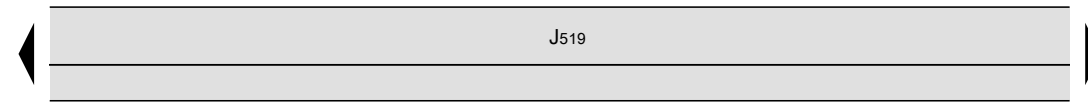
[NH0-080220516]

Throttle valve module, Engine control unit

- GX3 Throttle valve module
- G69 Throttle valve potentiometer
- J338 Throttle valve module
- J519 Onboard supply control unit
- J623 Engine control unit
- T5e 5-pin connector
- T60a 60-pin connector

458 Earth point 3, engine prewiring harness

D174 Connection 2 (5V) in engine prewiring harness



[NH0-080230516]

Oil pressure switch, Oil pressure switch for reduced oil pressure, Oil level and oil temperature sender, Engine control unit, Heater element for crankcase breather

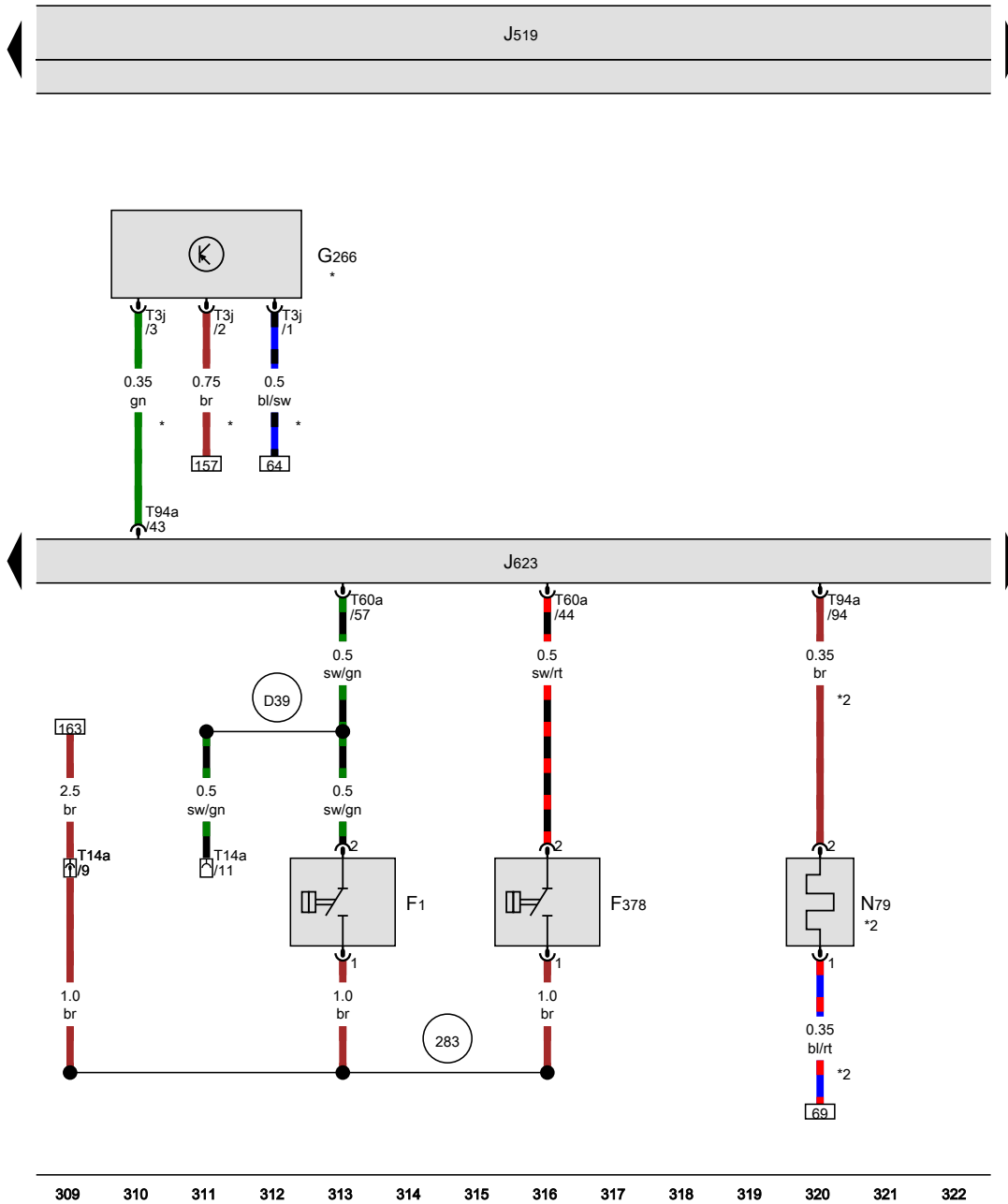
- F1 Oil pressure switch
- F378 Oil pressure switch for reduced oil pressure
- G266 Oil level and oil temperature sender
- J519 Onboard supply control unit
- J623 Engine control unit
- N79 Heater element for crankcase breather
- T3j 3-pin connector
- T14a 14-pin connector, front left in engine compartment
- T60a 60-pin connector
- T94a 94-pin connector

283 Earth point 2, engine prewiring harness

D39 Connection 1, in engine prewiring harness

* Only models with extended servicing intervals (ESI)

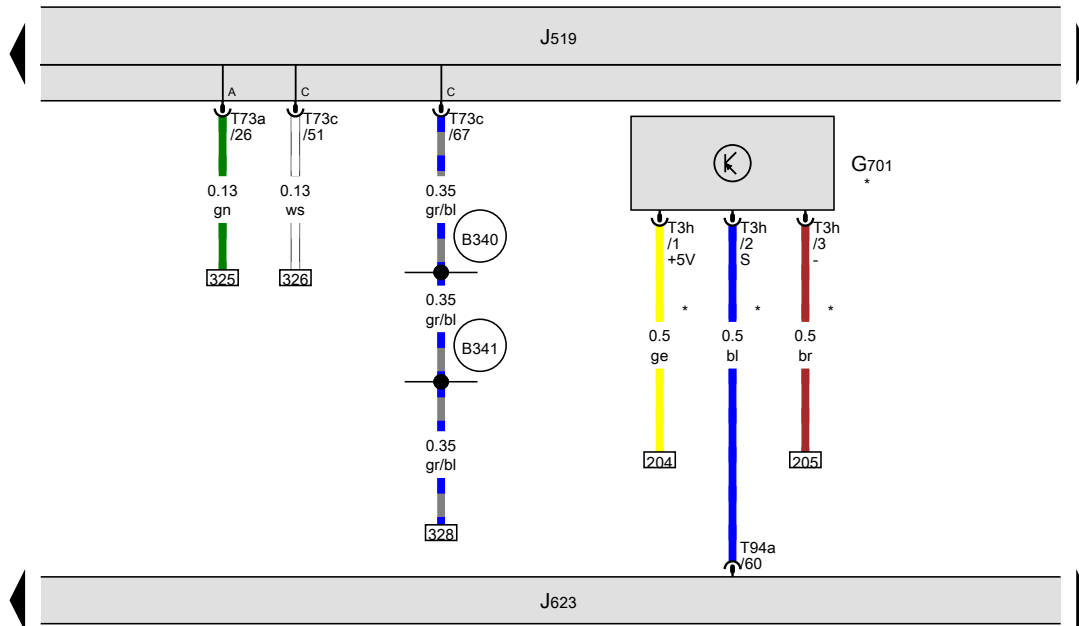
*2 Special equipment



- ws = white
- sw = black
- ro = red
- rt = red
- br = brown
- gn = green
- bl = blue
- gr = grey
- li = purple
- vi = purple
- ge = yellow
- or = orange
- rs = pink

[NH0-080240516]

Centre switch module in dash panel, Start/Stop operation button, Gearbox neutral position sender, Engine control unit

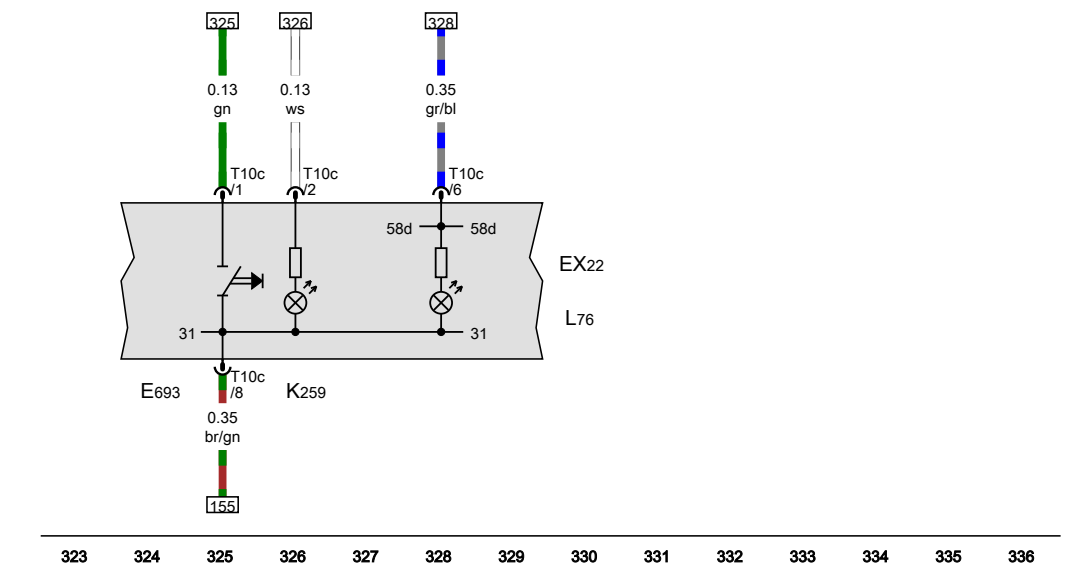


- EX22 Centre switch module in dash panel
- E693 Start/Stop operation button
- G701 Gearbox neutral position sender
- J519 Onboard supply control unit
- J623 Engine control unit
- K259 Start/Stop operation warning lamp
- L76 Button illumination bulb
- T3h 3-pin connector
- T10c 10-pin connector, black
- T73a 73-pin connector, black
- T73c 73-pin connector, black
- T94a 94-pin connector

B340 Connection 1 (58d), in main wiring harness

B341 Connection 2 (58d), in main wiring harness

* Only models with manual gearbox



- ws = white
- sw = black
- ro = red
- rt = red
- br = brown
- gn = green
- bl = blue
- gr = grey
- li = purple
- vi = purple
- ge = yellow
- or = orange
- rs = pink

323 324 325 326 327 328 329 330 331 332 333 334 335 336

[NH0-080250516]

Fuel delivery unit, Fuel pump relay, Engine control unit

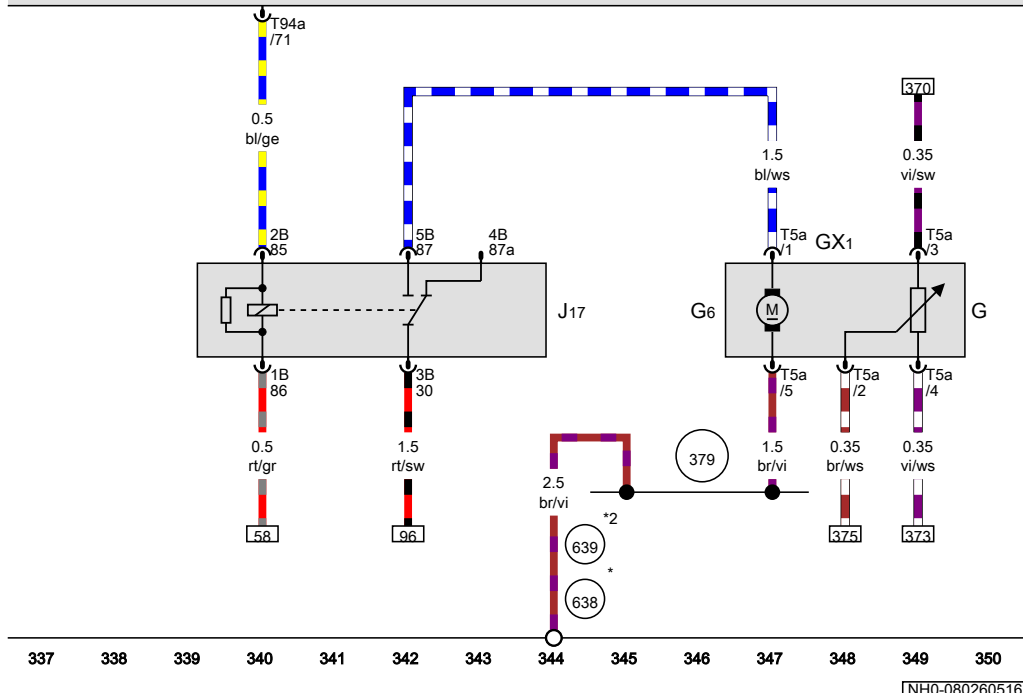
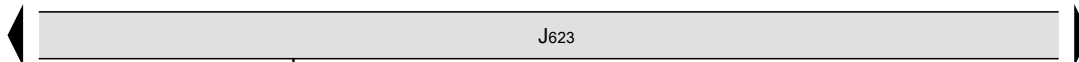
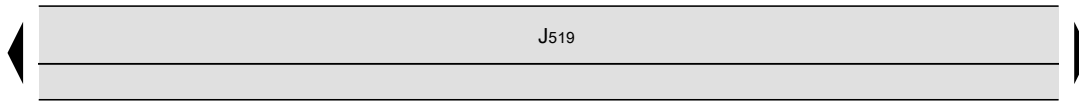
- G Fuel gauge sender
- GX1 Fuel delivery unit
- G6 Fuel system pressurisation pump
- J17 Fuel pump relay
- J519 Onboard supply control unit
- J623 Engine control unit
- T5a 5-pin connector
- T94a 94-pin connector

379 Earth connection 14, in main wiring harness

638 Earth point, on right A-pillar

639 Earth point, left A-pillar

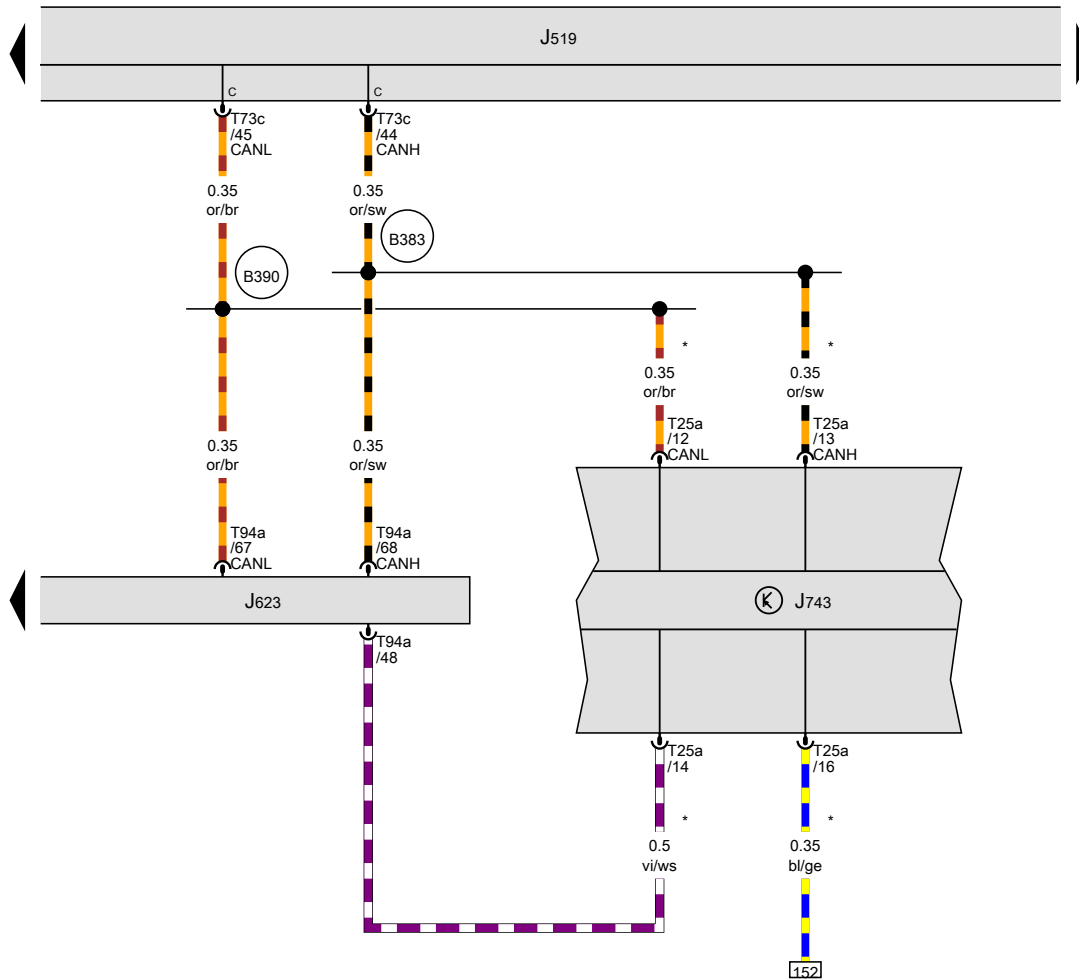
* Only left-hand drive models
 *2 Only right-hand drive models



- ws = white
- sw = black
- ro = red
- rt = red
- br = brown
- gn = green
- bl = blue
- gr = grey
- li = purple
- vi = purple
- ge = yellow
- or = orange
- rs = pink

[NHN-080260516]

Engine control unit, Mechatronic unit for dual clutch gearbox



- J519 Onboard supply control unit
- J623 Engine control unit
- J743 Mechatronic unit for dual clutch gearbox
- T25a 25-pin connector
- T73c 73-pin connector, black
- T94a 94-pin connector

B383 Connection 1 (powertrain CAN bus, high), in main wiring harness

B390 Connection 1 (powertrain CAN bus, low), in main wiring harness

* Only models with automatic gearbox

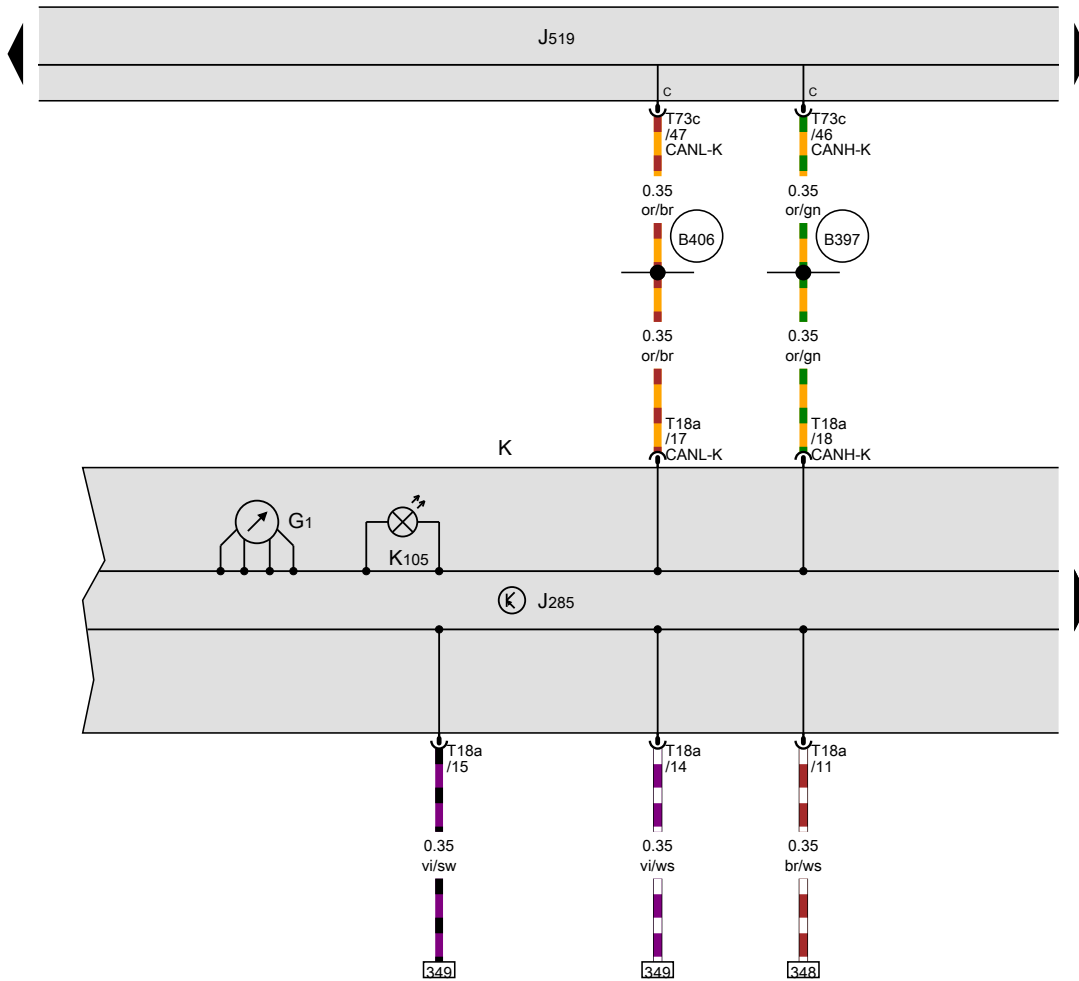
- ws = white
- sw = black
- ro = red
- rt = red
- br = brown
- gn = green
- bl = blue
- gr = grey
- li = purple
- vi = purple
- ge = yellow
- or = orange
- rs = pink

351 352 353 354 355 356 357 358 359 360 361 362 363 364

[NH0-080270516]

Fuel gauge, Dash panel insert

- G1 Fuel gauge
- J285 Control unit in dash panel insert
- J519 Onboard supply control unit
- K Dash panel insert
- K105 Reserve fuel warning lamp
- T18a 18-pin connector
- T73c 73-pin connector, black
- B397** Connection 1 (convenience CAN bus, high), in main wiring harness
- B406** Connection 1 (convenience CAN bus, low), in main wiring harness



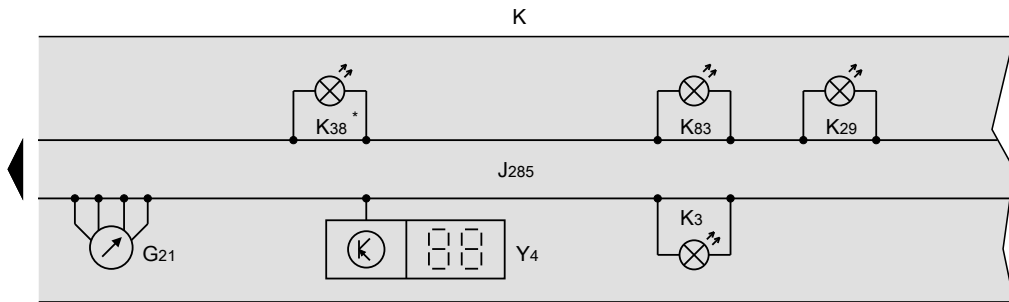
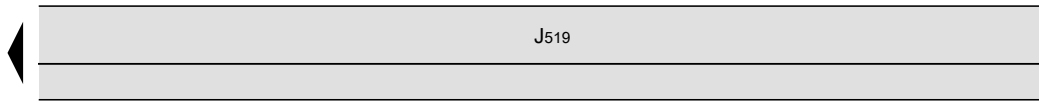
- ws = white
- sw = black
- ro = red
- rt = red
- br = brown
- gn = green
- bl = blue
- gr = grey
- li = purple
- vi = purple
- ge = yellow
- or = orange
- rs = pink

365 366 367 368 369 370 371 372 373 374 375 376 377 378

[NH0-080280516]

Speedometer, Dash panel insert, Trip counter

- G21 Speedometer
- J285 Control unit in dash panel insert
- J519 Onboard supply control unit
- K Dash panel insert
- K3 Oil pressure warning lamp
- K29 Glow period warning lamp
- K38 Oil level warning lamp
- K83 Exhaust emissions warning lamp
- Y4 Trip counter
- * Only models with extended servicing intervals (ESI)



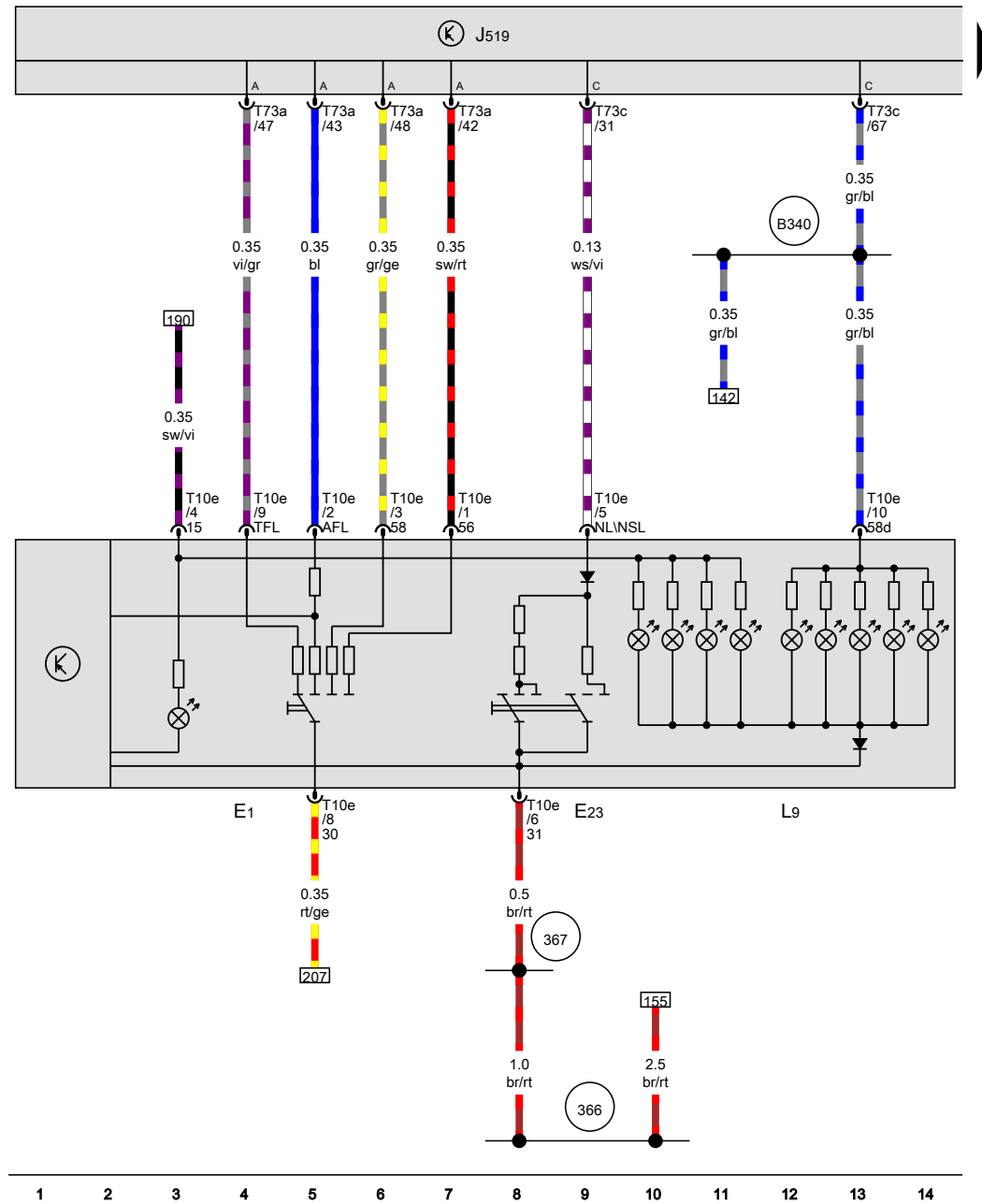
- ws = white
- sw = black
- ro = red
- rt = red
- br = brown
- gn = green
- bl = blue
- gr = grey
- li = purple
- vi = purple
- ge = yellow
- or = orange
- rs = pink

379 380 381 382 383 384 385 386 387 388 389 390 391 392

[NH0-080290516]

Exterior lighting , (K8B),(L0L)

From November 2015



Light switch

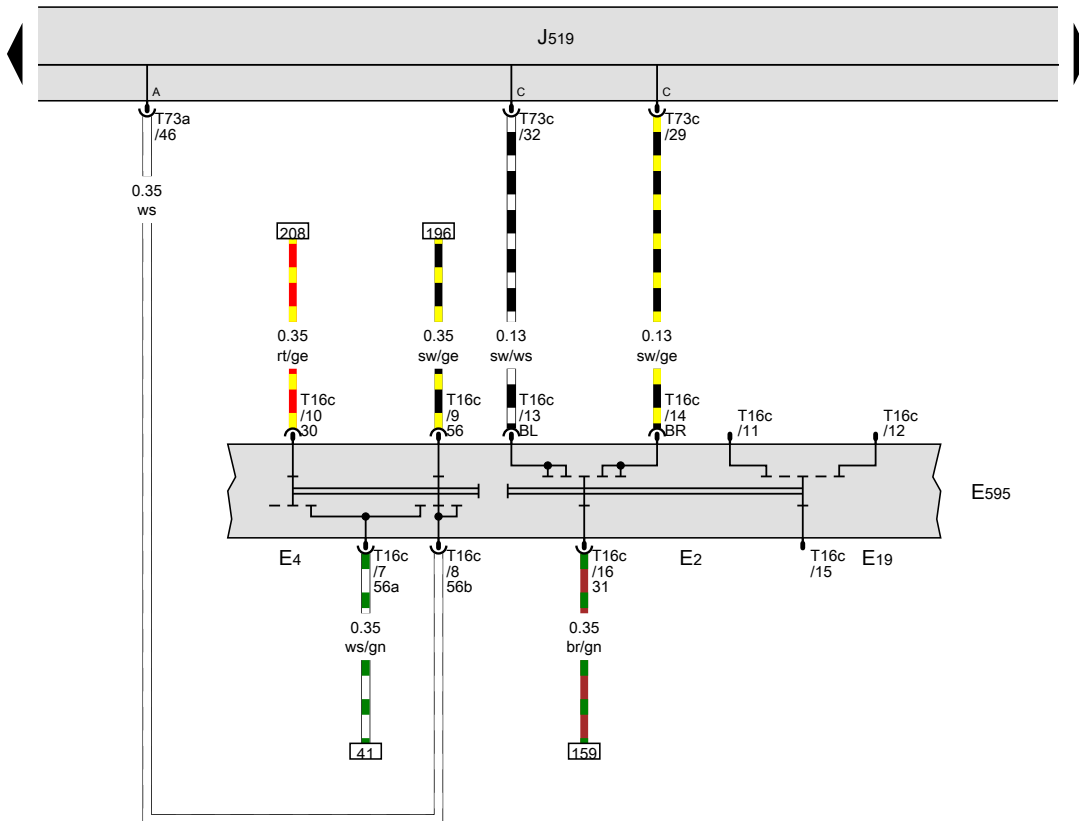
- E1 Light switch
- E23 Front and rear fog light switch
- J519 Onboard supply control unit
- L9 Light switch illumination bulb
- T10e 10-pin connector
- T73a 73-pin connector, black
- T73c 73-pin connector, black
- 366 Earth connection 1, in main wiring harness
- 367 Earth connection 2, in main wiring harness
- B340 Connection 1 (58d), in main wiring harness

- ws = white
- sw = black
- ro = red
- rt = red
- br = brown
- gn = green
- bl = blue
- gr = grey
- li = purple
- vi = purple
- ge = yellow
- or = orange
- rs = pink

[NH0-081020516]

Turn signal switch, Headlight dipper and flasher switch, Parking light switch, Steering column combination switch

- E2 Turn signal switch
- E4 Headlight dipper and flasher switch
- E19 Parking light switch
- E595 Steering column combination switch
- J519 Onboard supply control unit
- T16c 16-pin connector
- T73a 73-pin connector, black
- T73c 73-pin connector, black

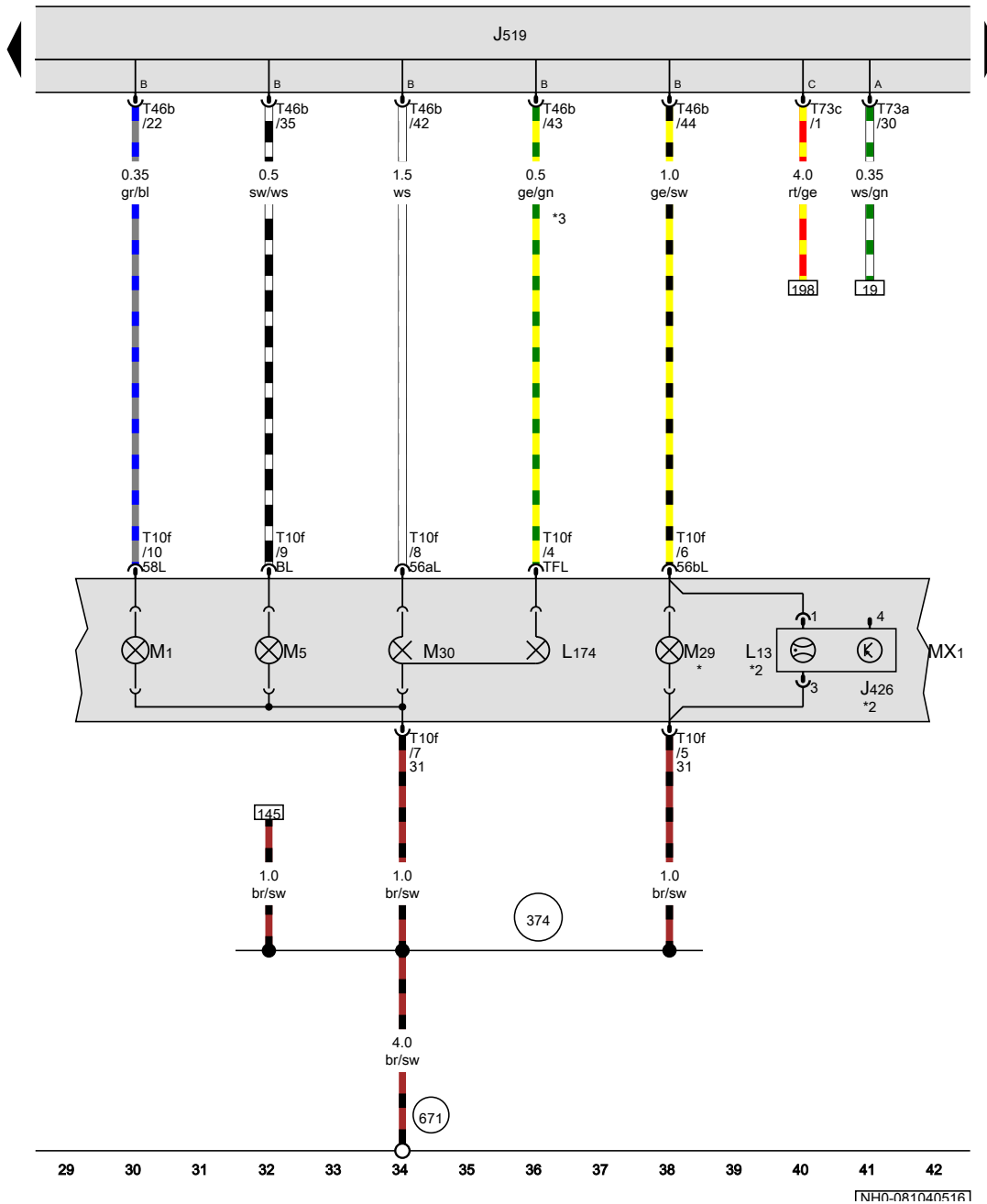


- ws = white
- sw = black
- ro = red
- rt = red
- br = brown
- gn = green
- bl = blue
- gr = grey
- li = purple
- vi = purple
- ge = yellow
- or = orange
- rs = pink

15 16 17 18 19 20 21 22 23 24 25 26 27 28

[NH0-081030516]

Front left headlight



- J426 Left headlight starter for gas discharge light
- J519 Onboard supply control unit
- L13 Left gas discharge (xenon) bulb
- L174 Left daytime running light bulb
- MX1 Front left headlight
- M1 Left side light bulb
- M5 Front left turn signal bulb
- M29 Left headlight dipped beam bulb
- M30 Left headlight main beam bulb
- T10f 10-pin connector
- T46b 46-pin connector, brown
- T73a 73-pin connector, black
- T73c 73-pin connector, black

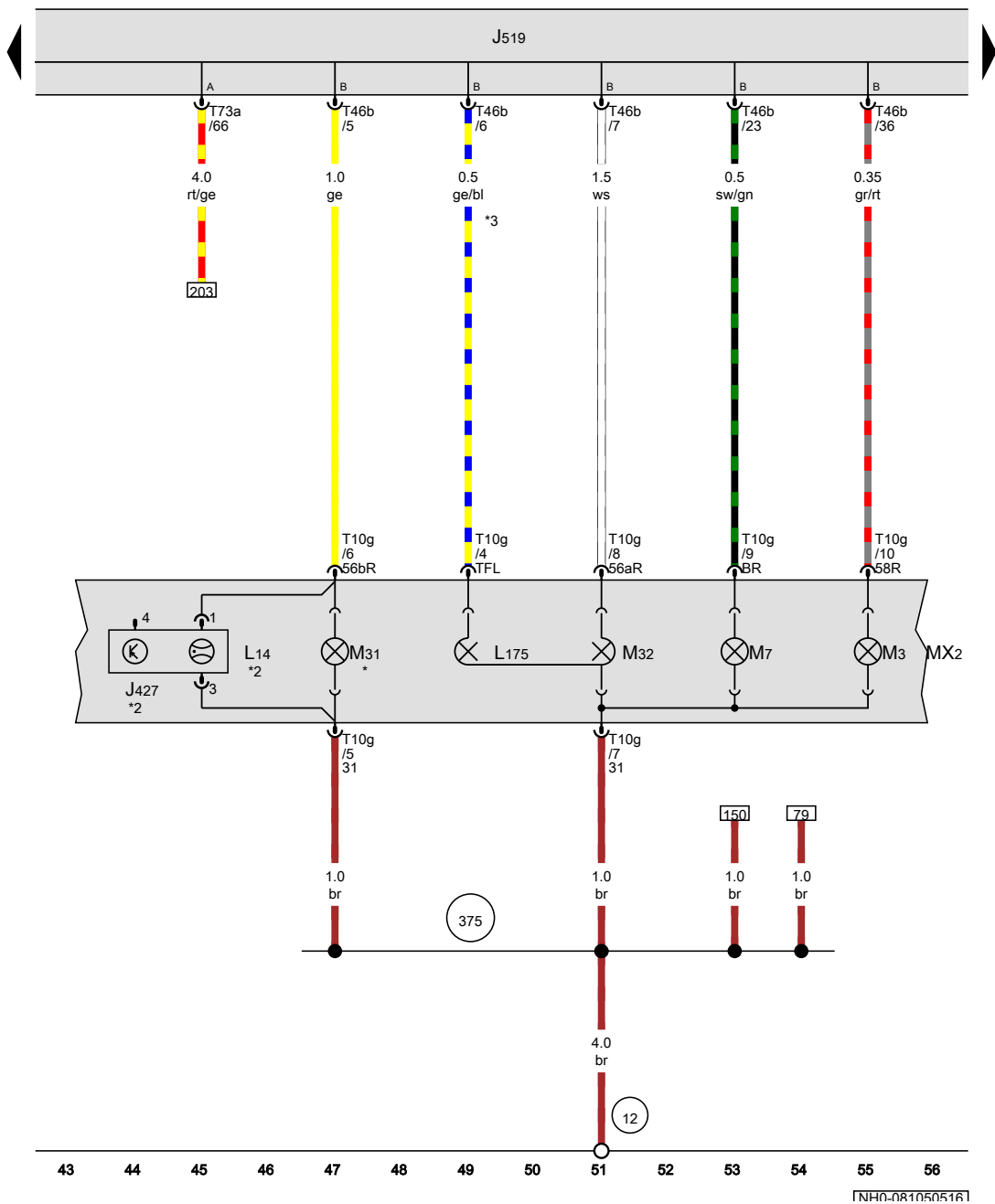
- 374 Earth connection 9, in main wiring harness
- 671 Earth point 1, on front of left longitudinal member
- * Only models with halogen headlights
- *2 Only models with xenon headlights
- *3 Only models with daytime running lights

- ws = white
- sw = black
- ro = red
- rt = red
- br = brown
- gn = green
- bl = blue
- gr = grey
- li = purple
- vi = purple
- ge = yellow
- or = orange
- rs = pink

Front right headlight

- J427 Right headlight starter for gas discharge light
- J519 Onboard supply control unit
- L14 Right gas discharge (xenon) bulb
- L175 Right daytime running light bulb
- MX2 Front right headlight
- M3 Right side light bulb
- M7 Front right turn signal bulb
- M31 Right headlight dipped beam bulb
- M32 Right headlight main beam bulb
- T10g 10-pin connector
- T46b 46-pin connector, brown
- T73a 73-pin connector, black

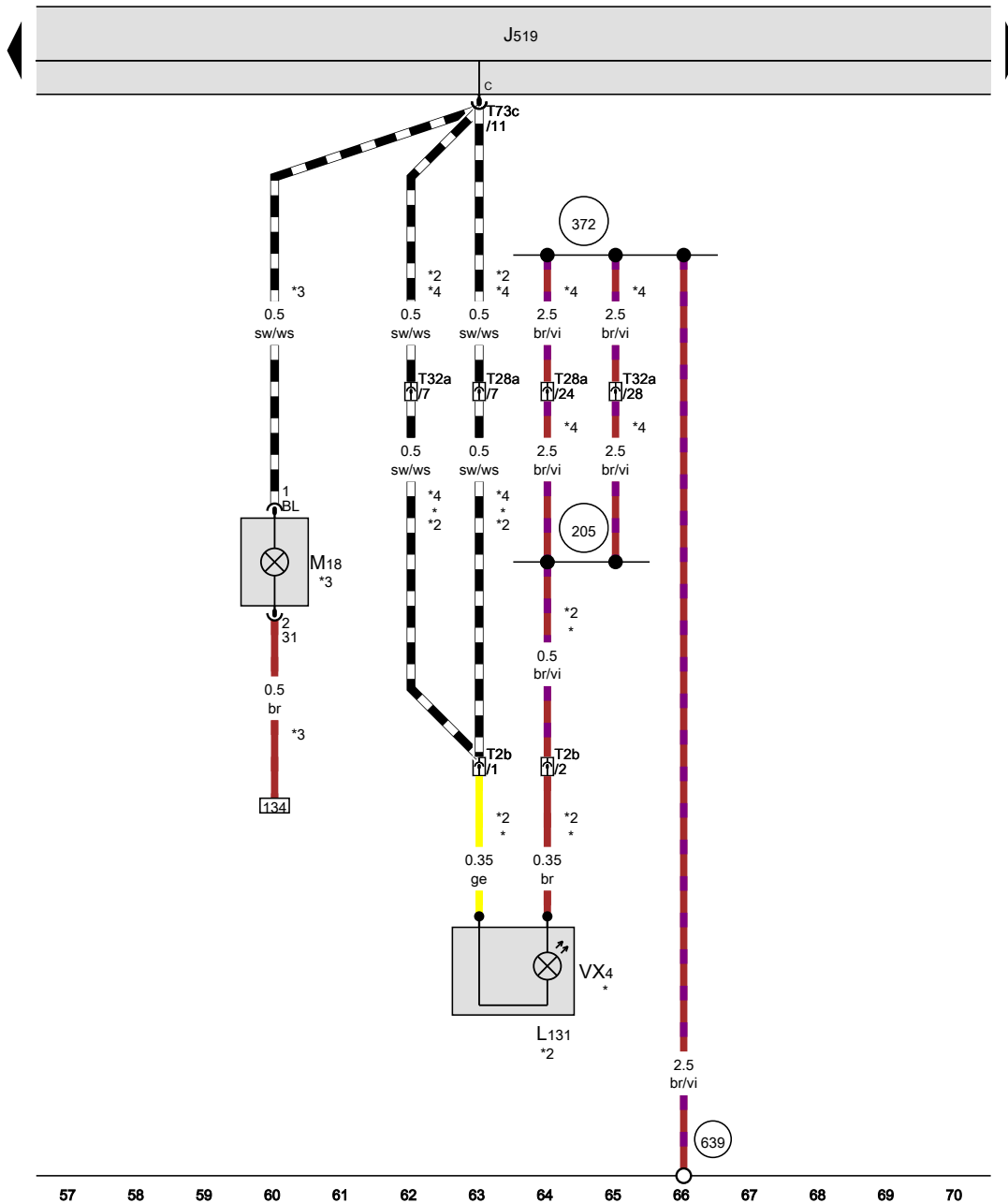
- 12 Earth point, on left in engine compartment
- 375 Earth connection 10, in main wiring harness
- * Only models with halogen headlights
- *2 Only models with xenon headlights
- *3 Only models with daytime running lights



- ws = white
- sw = black
- ro = red
- rt = red
- br = brown
- gn = green
- bl = blue
- gr = grey
- li = purple
- vi = purple
- ge = yellow
- or = orange
- rs = pink

[NH0-081050516]

Left turn signal repeater bulb, Driver side exterior mirror



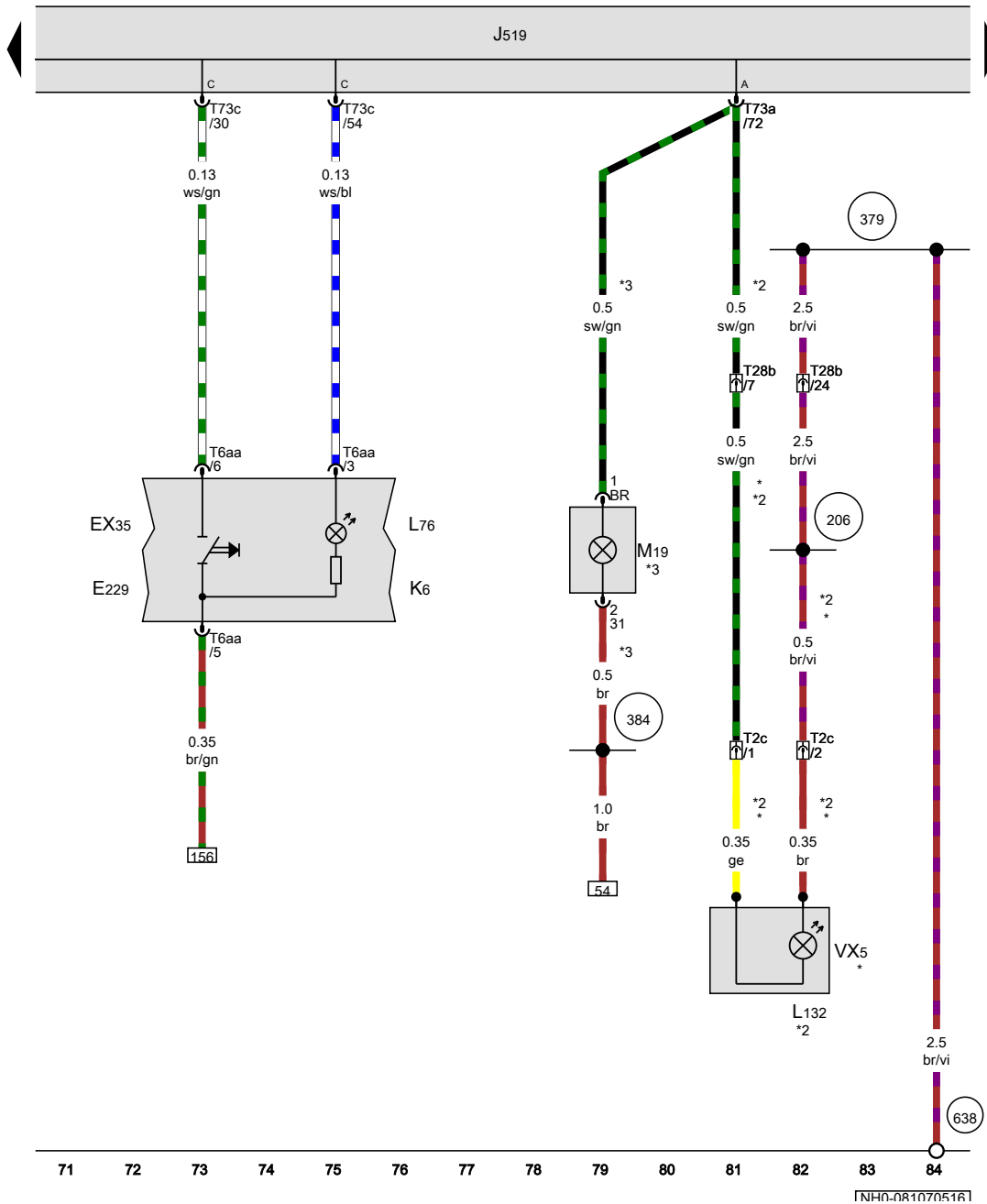
- J519 Onboard supply control unit
- L131 Driver side turn signal repeater bulb
- M18 Left turn signal repeater bulb
- T2b 2-pin connector
- T28a 28-pin connector, on left A-pillar
- T32a 32-pin connector, on left A-pillar
- T73c 73-pin connector, black
- VX4 Driver side exterior mirror

- 205 Earth connection, in driver door wiring harness
- 372 Earth connection 7, in main wiring harness
- 639 Earth point, left A-pillar

- * Only models with no electrically adjustable exterior mirrors
- *2 Not for models with equipment for Russia
- *3 Only models with equipment for Russia
- *4 According to equipment

- ws = white
- sw = black
- ro = red
- rt = red
- br = brown
- gn = green
- bl = blue
- gr = grey
- li = purple
- vi = purple
- ge = yellow
- or = orange
- rs = pink

1NH0-081060516



Centre switch module 2 in dash panel, Hazard warning lights button, Right turn signal repeater bulb, Front passenger side exterior mirror

- EX35 Centre switch module 2 in dash panel
 - E229 Hazard warning lights button
 - J519 Onboard supply control unit
 - K6 Indicator lamp for hazard warning light
 - L76 Button illumination bulb
 - L132 Front passenger side turn signal repeater bulb
 - M19 Right turn signal repeater bulb
 - T2c 2-pin connector
 - T6aa 6-pin connector
 - T28b 28-pin connector, on right A-pillar
 - T73a 73-pin connector, black
 - T73c 73-pin connector, black
 - VX5 Front passenger side exterior mirror
- 206 Earth connection, in front passenger door wiring harness
 - 379 Earth connection 14, in main wiring harness
 - 384 Earth connection 19, in main wiring harness
 - 638 Earth point, on right A-pillar
- * Only models with no electrically adjustable exterior mirrors
 - *2 Not for models with equipment for Russia
 - *3 Only models with equipment for Russia

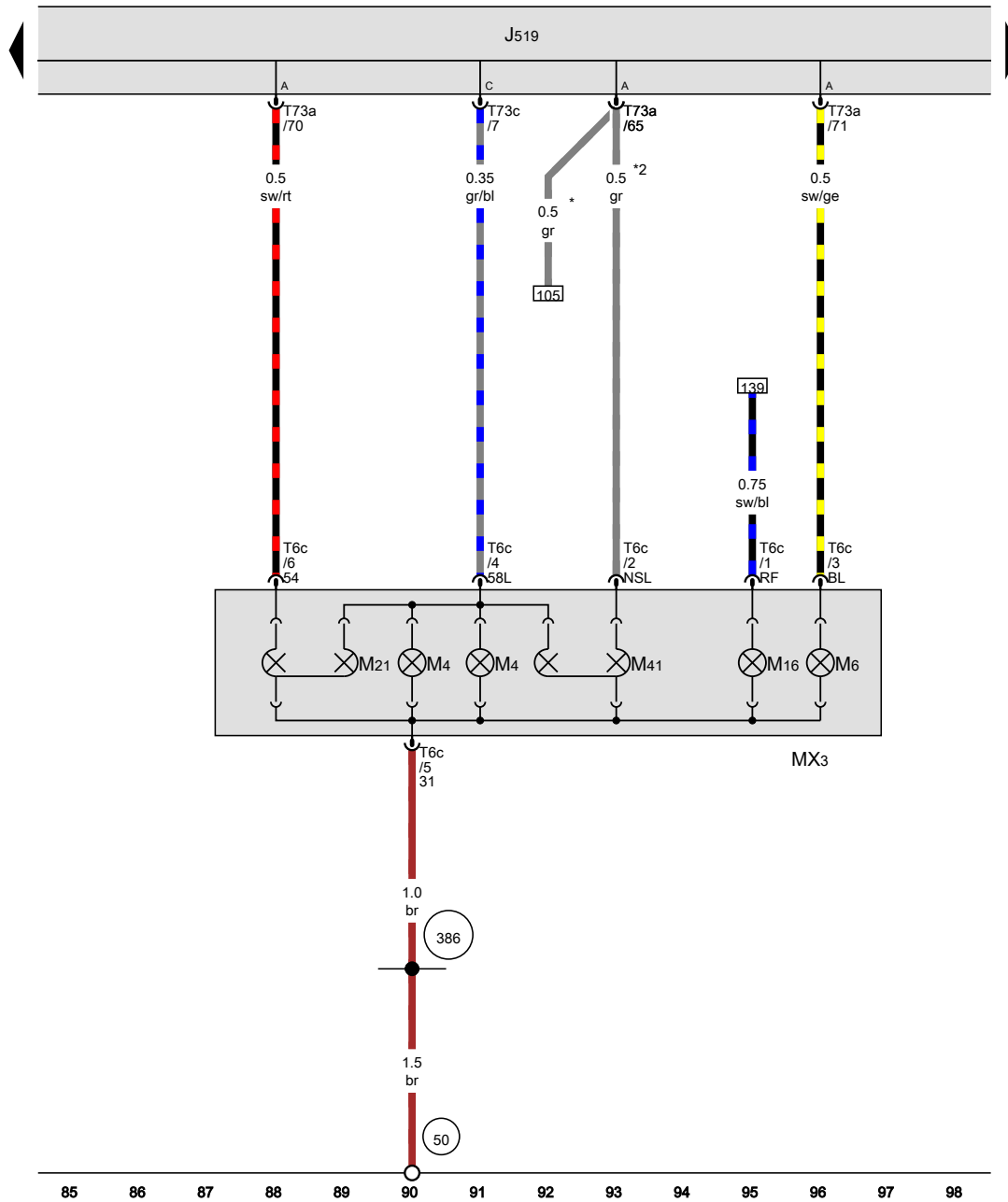
- ws = white
- sw = black
- ro = red
- rt = red
- br = brown
- gn = green
- bl = blue
- gr = grey
- li = purple
- vi = purple
- ge = yellow
- or = orange
- rs = pink

[NH0-081070516]

Left tail light

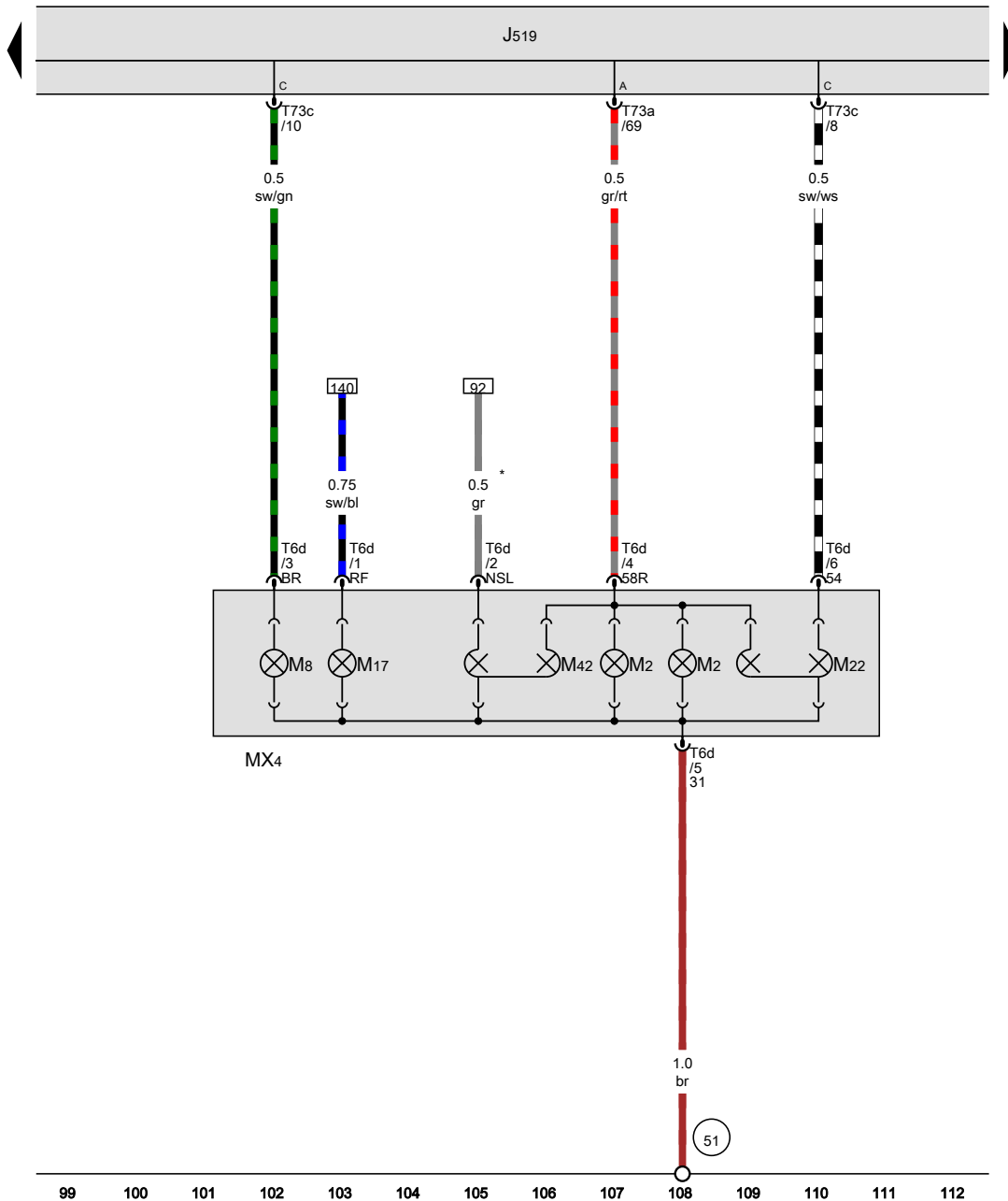
- J519 Onboard supply control unit
- MX3 Left tail light
- M4 Left tail light bulb
- M6 Rear left turn signal bulb
- M16 Left reversing light bulb
- M21 Left brake and tail light bulb
- M41 Left tail light and rear fog light bulb
- T6c 6-pin connector
- T73a 73-pin connector, black
- T73c 73-pin connector, black

- 50 Earth point, on left in luggage compartment
- 386 Earth connection 21, in main wiring harness
- * Only right-hand drive models
- *2 Only left-hand drive models



- ws = white
- sw = black
- ro = red
- rt = red
- br = brown
- gn = green
- bl = blue
- gr = grey
- li = purple
- vi = purple
- ge = yellow
- or = orange
- rs = pink

[NH0-081080516]



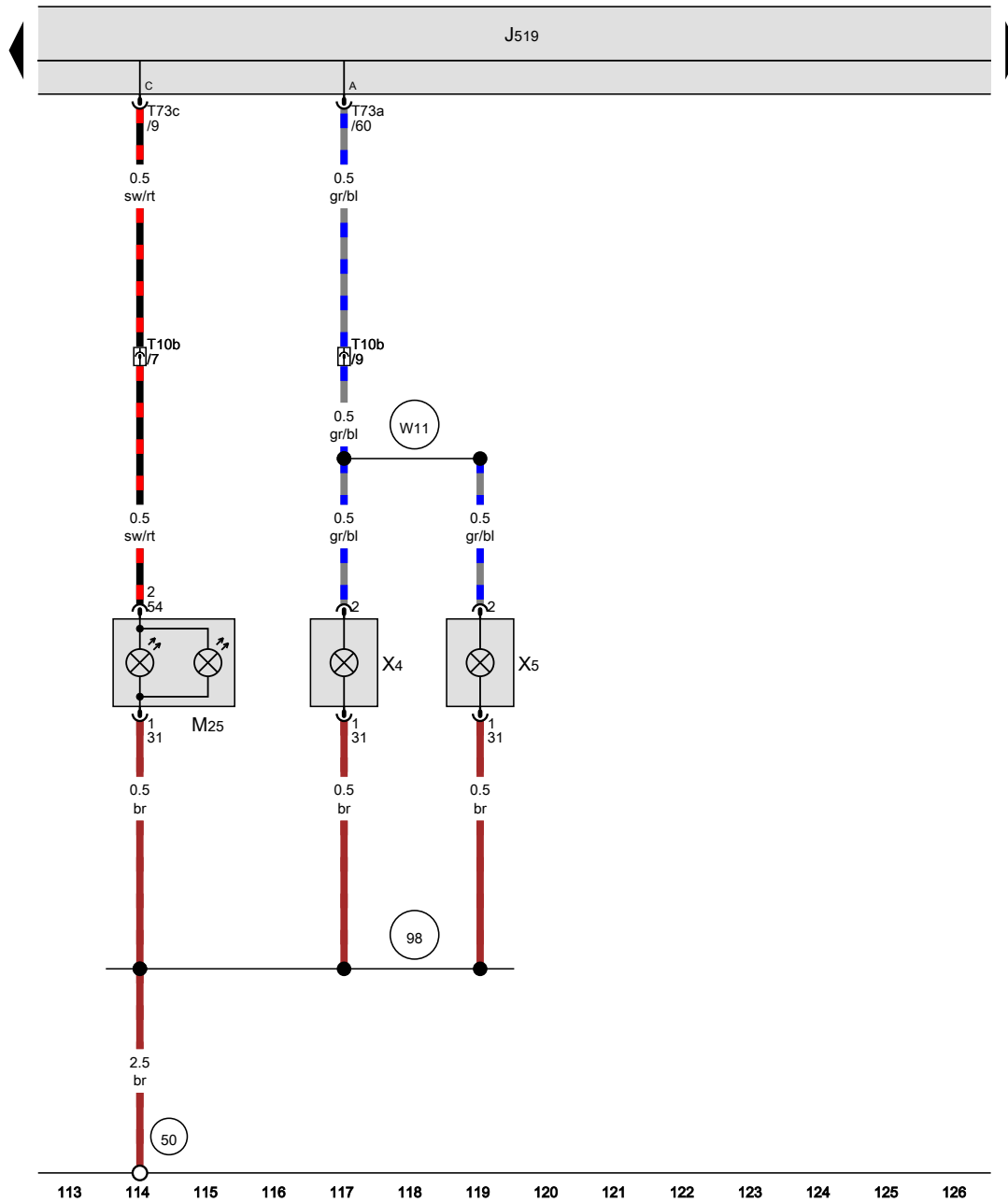
Right tail light

- J519 Onboard supply control unit
- M2 Right tail light bulb
- MX4 Right tail light
- M8 Rear right turn signal bulb
- M17 Right reversing light bulb
- M22 Right brake and tail light bulb
- M42 Right tail light and rear fog light bulb
- T6d 6-pin connector
- T73a 73-pin connector, black
- T73c 73-pin connector, black

51 Earth point, on right in luggage compartment

* Only right-hand drive models

- ws = white
- sw = black
- ro = red
- rt = red
- br = brown
- gn = green
- bl = blue
- gr = grey
- li = purple
- vi = purple
- ge = yellow
- or = orange
- rs = pink



High-level brake light bulb, Left number plate light, Right number plate light

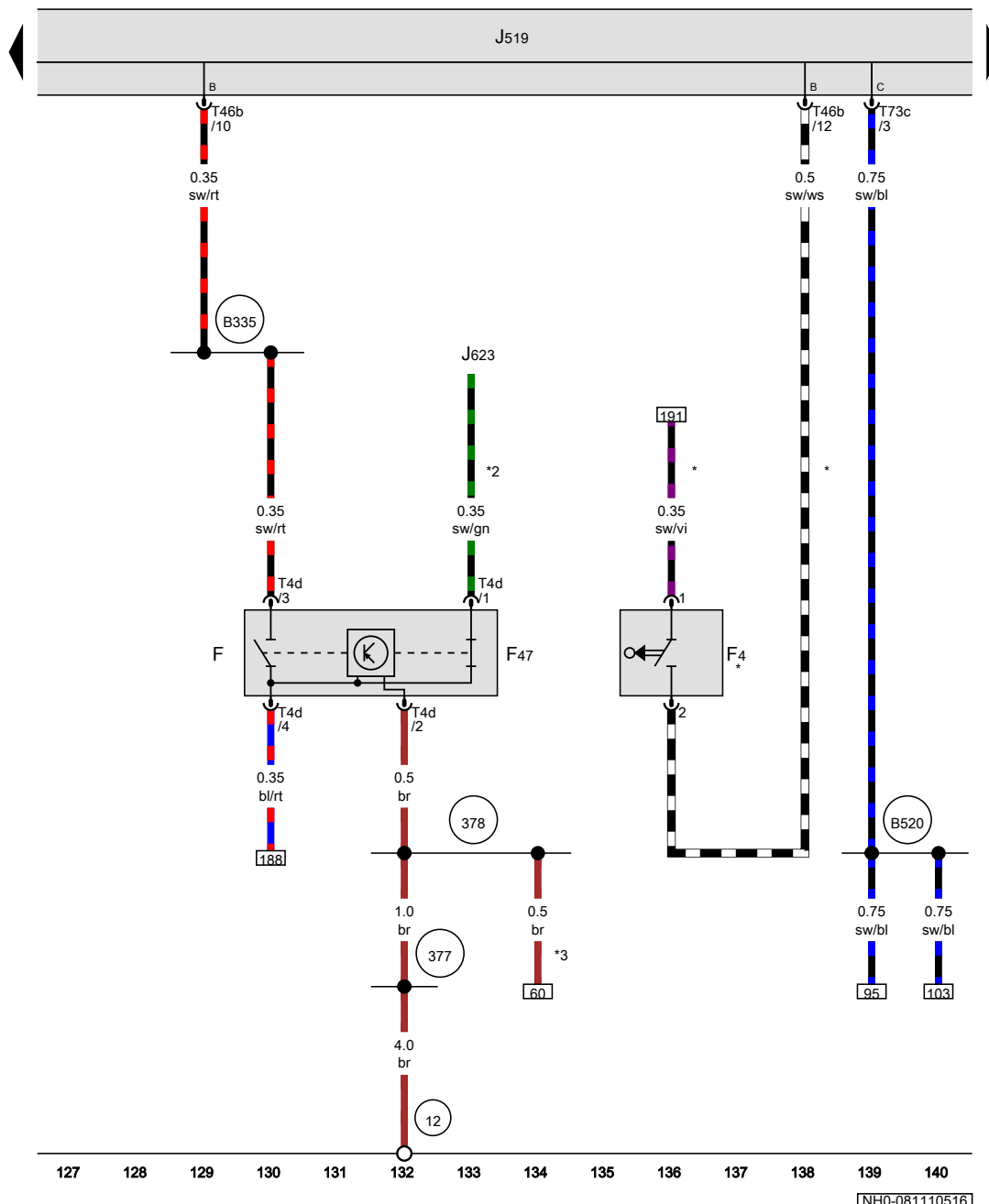
- J519 Onboard supply control unit
- M25 High-level brake light bulb
- T10b 10-pin connector
- T73a 73-pin connector, black
- T73c 73-pin connector, black
- X4 Left number plate light
- X5 Right number plate light

- (50) Earth point, on left in luggage compartment
- (98) Earth connection, in rear lid wiring harness
- (W11) Connection (58), in rear lid wiring harness

- ws = white
- sw = black
- ro = red
- rt = red
- br = brown
- gn = green
- bl = blue
- gr = grey
- li = purple
- vi = purple
- ge = yellow
- or = orange
- rs = pink

[NH0-081100516]

Reversing light switch, Brake pedal switch



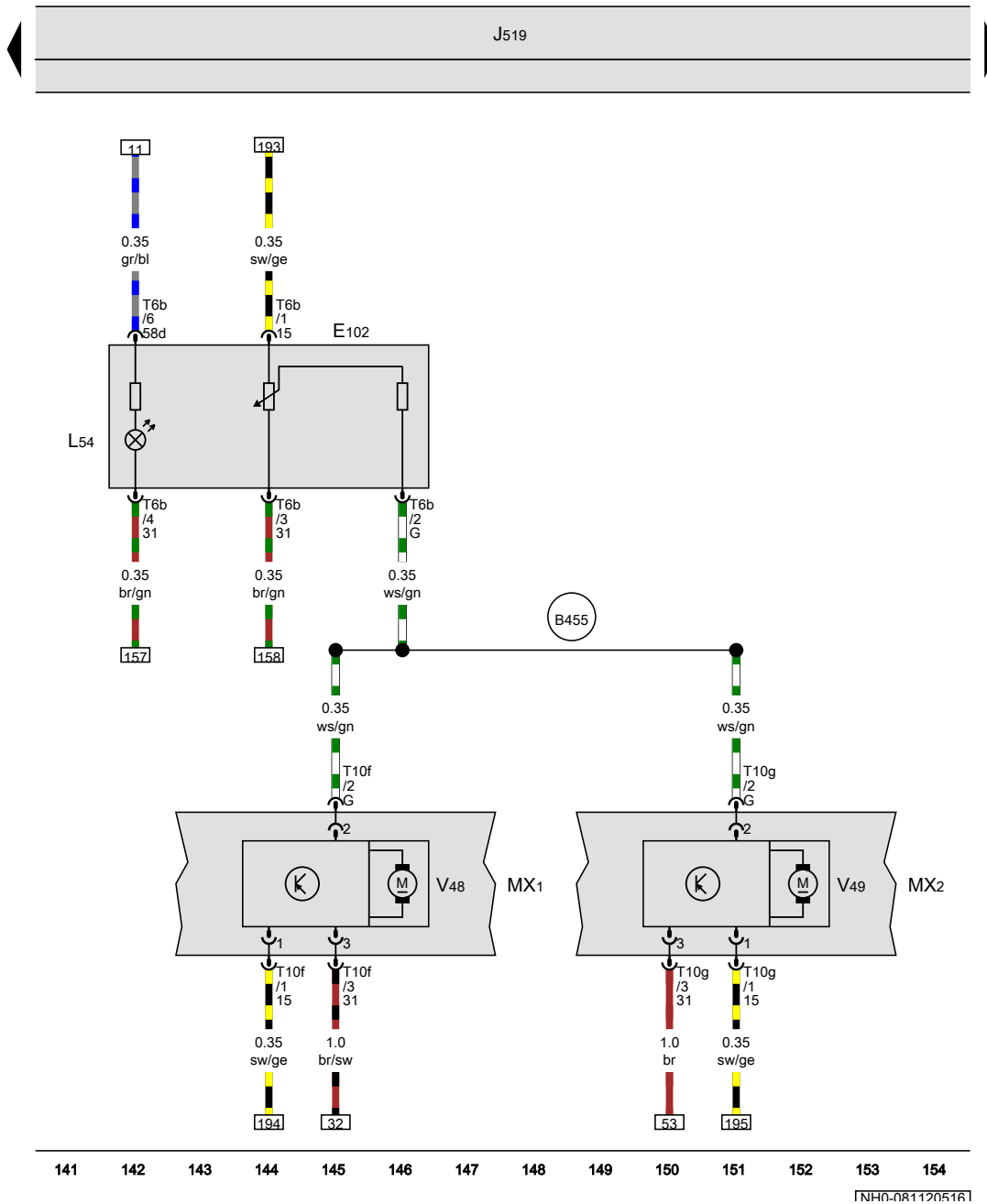
- F Brake light switch
- F4 Reversing light switch
- F47 Brake pedal switch
- J519 Onboard supply control unit
- J623 Engine control unit
- T4d 4-pin connector
- T46b 46-pin connector, brown
- T73c 73-pin connector, black
- 12 Earth point, on left in engine compartment
- 377 Earth connection 12, in main wiring harness
- 378 Earth connection 13, in main wiring harness
- B335 Connection 1 (54), in main wiring harness
- B520 Connection (RL), in main wiring harness
- * Only models with manual gearbox
- *2 see applicable current flow diagram for engine
- *3 Only models with equipment for Russia

- ws = white
- sw = black
- ro = red
- rt = red
- br = brown
- gn = green
- bl = blue
- gr = grey
- li = purple
- vi = purple
- ge = yellow
- or = orange
- rs = pink

[NH0-081110516]

Headlight range control regulator, Left headlight range control motor, Right headlight range control motor

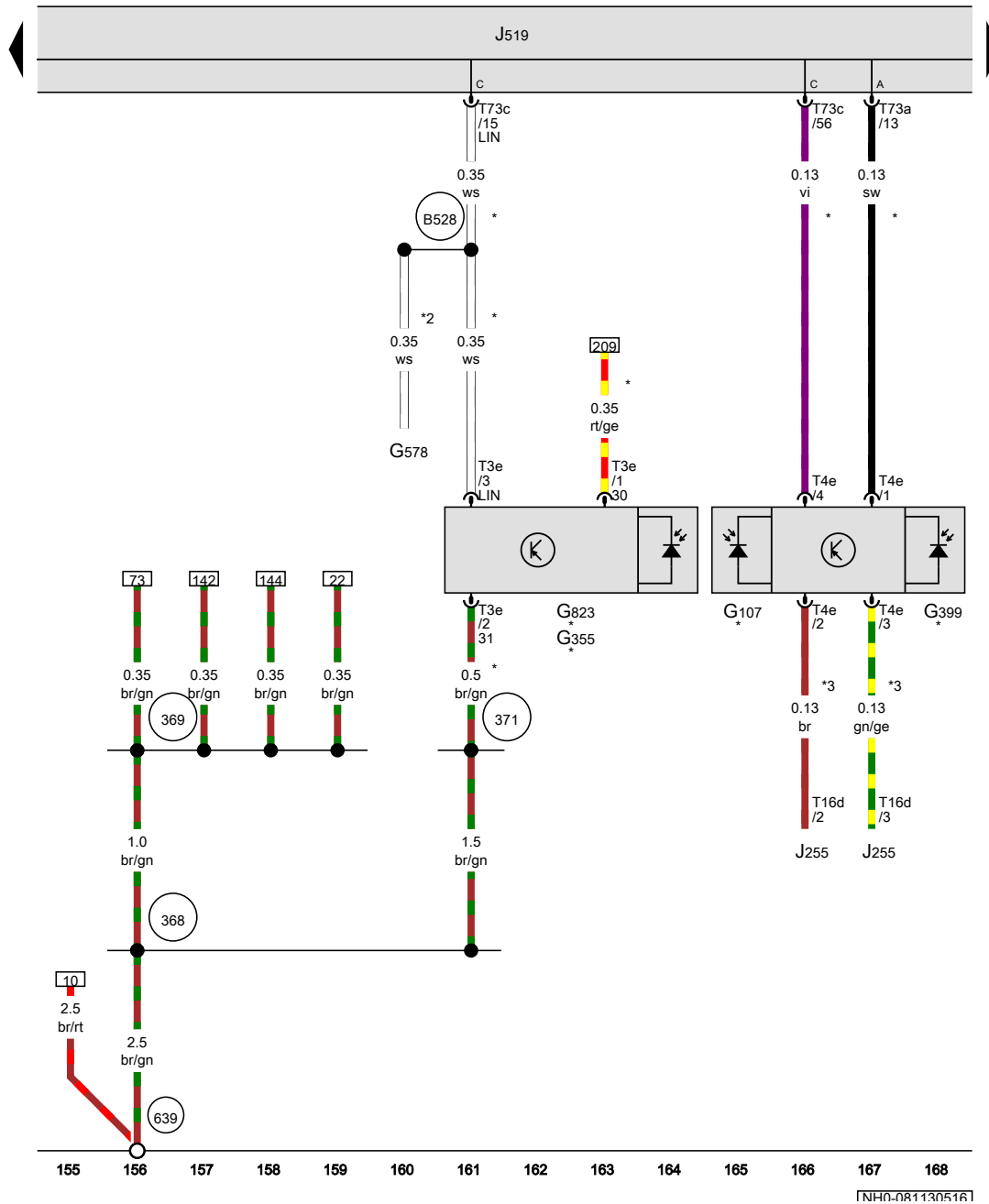
- E102 Headlight range control regulator
- J519 Onboard supply control unit
- L54 Headlight range control regulator illumination bulb
- MX1 Front left headlight
- MX2 Front right headlight
- T6b 6-pin connector
- T10f 10-pin connector
- T10g 10-pin connector
- V48 Left headlight range control motor
- V49 Right headlight range control motor
- B455 Connection (HRC), in main wiring harness



- ws = white
- sw = black
- ro = red
- rt = red
- br = brown
- gn = green
- bl = blue
- gr = grey
- li = purple
- vi = purple
- ge = yellow
- or = orange
- rs = pink

[NH0-081120516]

Sunlight penetration photosensor, Humidity sender, Light sensor, Air humidity, rain and light sensor



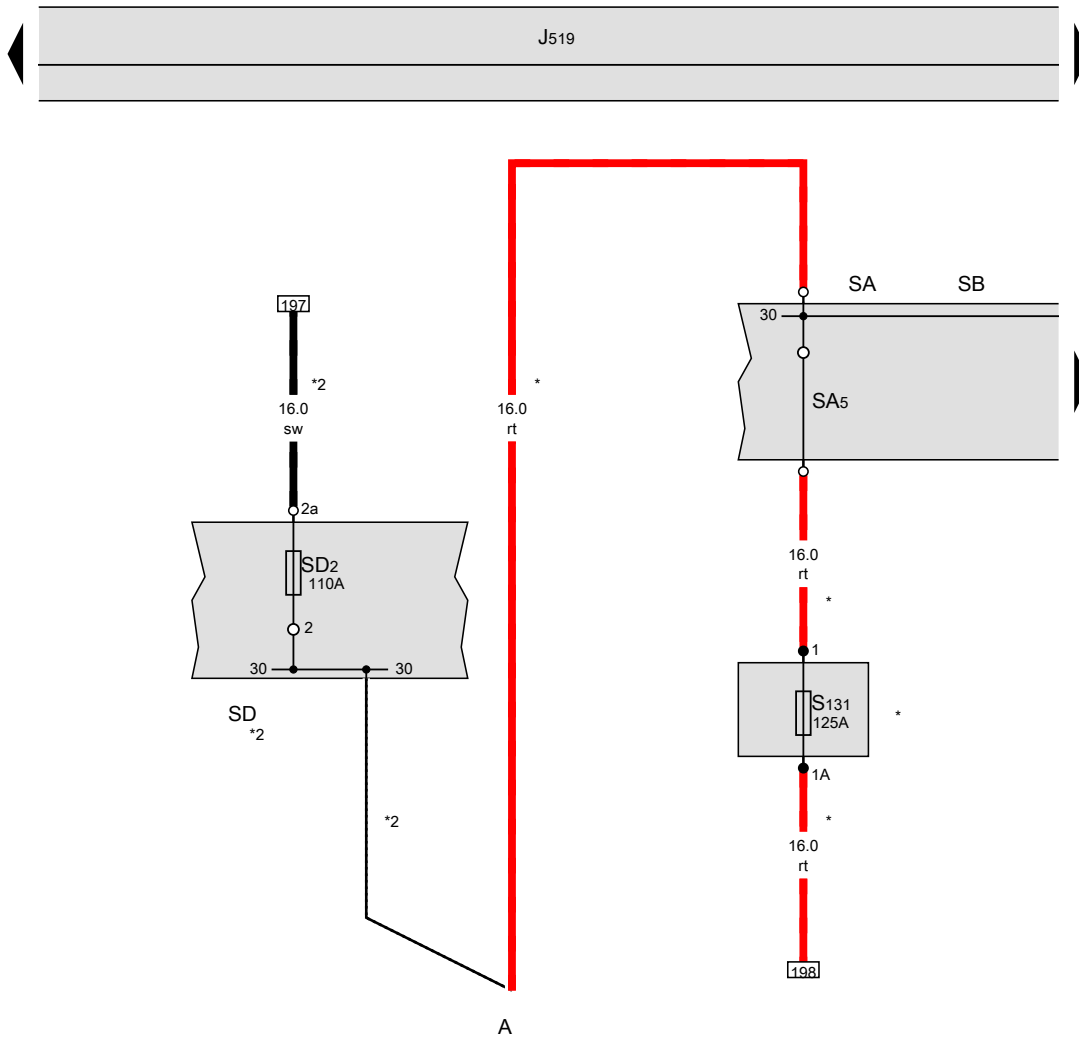
- G107 Sunlight penetration photosensor
- G355 Humidity sender
- G399 Light sensor
- G578 Anti-theft alarm sensor
- G823 Air humidity, rain and light sensor
- J255 Climatronic control unit
- J519 Onboard supply control unit
- T3e 3-pin connector
- T4e 4-pin connector
- T16d 16-pin connector
- T73a 73-pin connector, black
- T73c 73-pin connector, black
- 368 Earth connection 3, in main wiring harness
- 369 Earth connection 4, in main wiring harness
- 371 Earth connection 6, in main wiring harness
- 639 Earth point, left A-pillar
- B528 Connection 1 (LIN bus) in main wiring harness
- * According to equipment
- *2 For models with anti-theft alarm system
- *3 Only models with Climatronic

- ws = white
- sw = black
- ro = red
- rt = red
- br = brown
- gn = green
- bl = blue
- gr = grey
- li = purple
- vi = purple
- ge = yellow
- or = orange
- rs = pink

[NH0-081130516]

Battery, Fuse holder A, Fuse holder B, Fuse holder D

- A Battery
- J519 Onboard supply control unit
- SD2 Fuse 2 on fuse holder D
- SA5 Fuse 5 in fuse holder A
- S131 Fuse 1, in main wiring harness
- SA Fuse holder A
- SB Fuse holder B
- SD Fuse holder D
- * Only models with battery in engine compartment
- *2 Only models with battery in luggage compartment



169 170 171 172 173 174 175 176 177 178 179 180 181 182

[NH0-081140516]

Fuse holder B, Fuse holder C

- J271 Main relay
- J329 Terminal 15 voltage supply relay
- J519 Onboard supply control unit
- SB Fuse holder B
- SB13 Fuse 13 on fuse holder B
- SC Fuse holder C
- SC30 Fuse 30 on fuse holder C
- SC32 Fuse 32 on fuse holder C

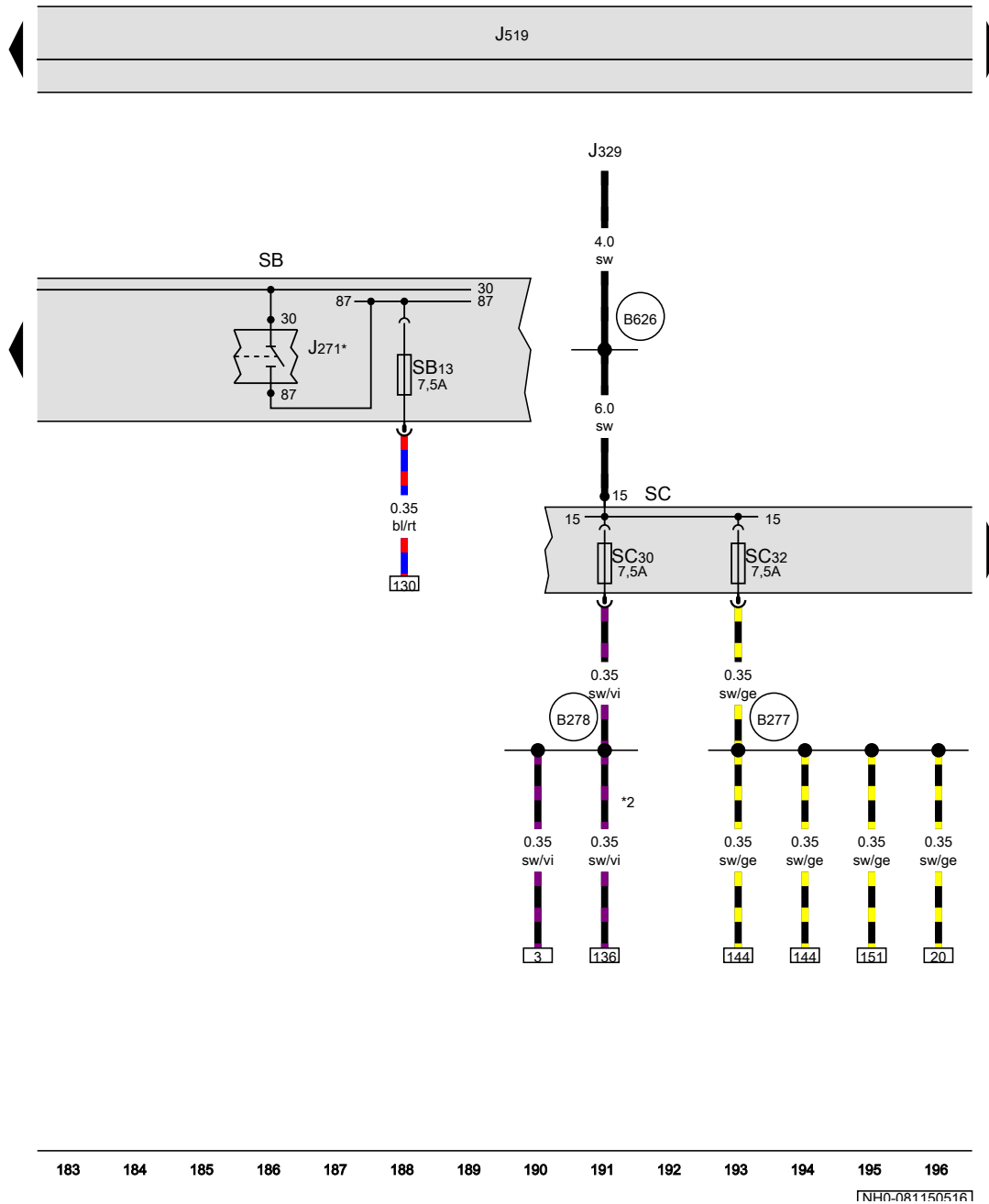
B277 Positive connection 1 (15a) in main wiring harness

B278 Positive connection 2 (15a) in main wiring harness

B626 Positive connection 2 (15), in main wiring harness

* see applicable current flow diagram for engine

*2 Only models with manual gearbox



- ws = white
- sw = black
- ro = red
- rt = red
- br = brown
- gn = green
- bl = blue
- gr = grey
- li = purple
- vi = purple
- ge = yellow
- or = orange
- rs = pink

183 184 185 186 187 188 189 190 191 192 193 194 195 196

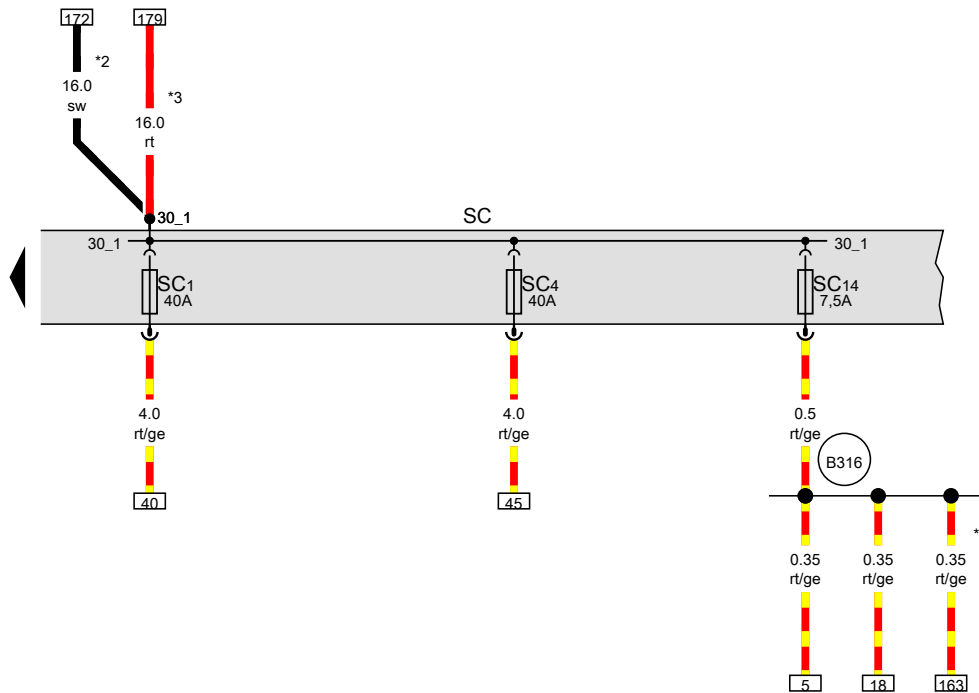
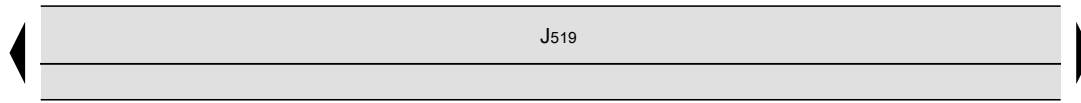
[NH0-081150516]

Fuse holder C

- J519 Onboard supply control unit
- SC Fuse holder C
- SC1 Fuse 1 on fuse holder C
- SC4 Fuse 4 on fuse holder C
- SC14 Fuse 14 on fuse holder C

B316 Positive connection 2 (30a) in main wiring harness

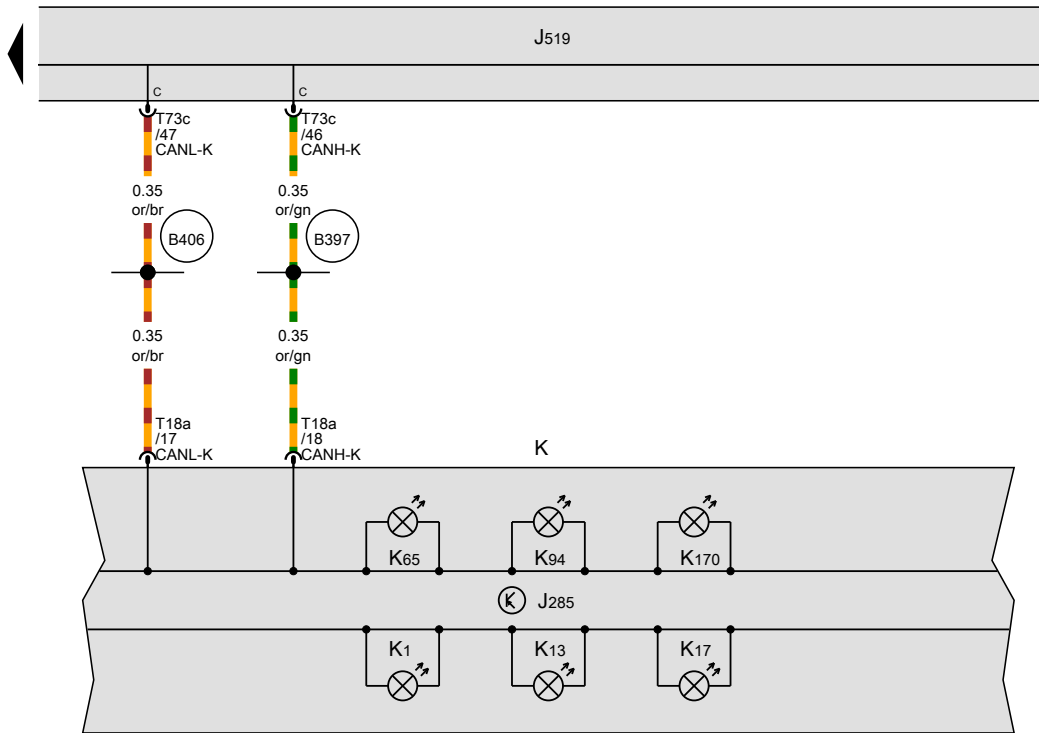
- * According to equipment
- *2 Only models with battery in luggage compartment
- *3 Only models with battery in engine compartment



- ws = white
- sw = black
- ro = red
- rt = red
- br = brown
- gn = green
- bl = blue
- gr = grey
- li = purple
- vi = purple
- ge = yellow
- or = orange
- rs = pink

197 198 199 200 201 202 203 204 205 206 207 208 209 210

[NH0-081160516]



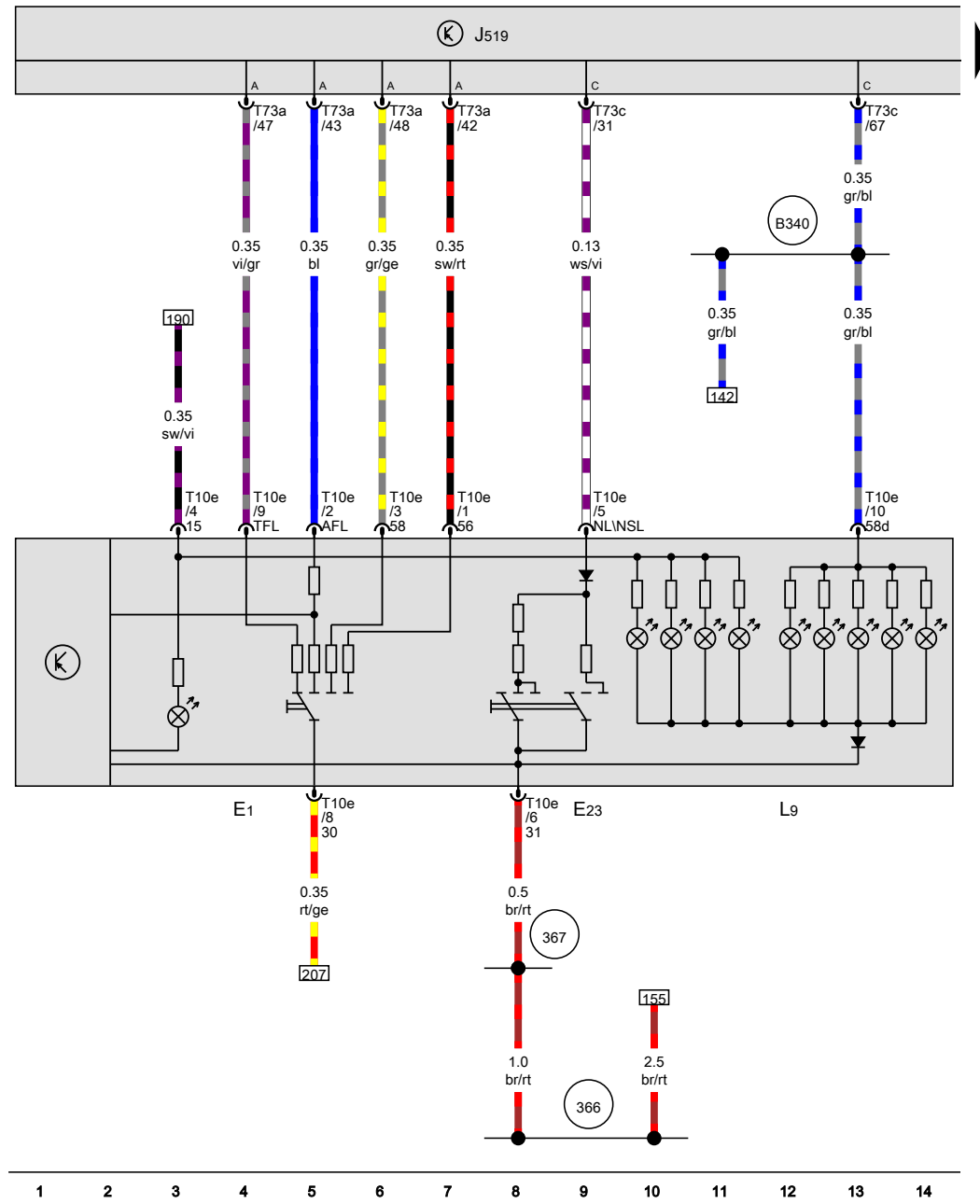
Dash panel insert

- J285 Control unit in dash panel insert
- J519 Onboard supply control unit
- K Dash panel insert
- K1 Main beam warning lamp
- K13 Rear fog light warning lamp
- K17 Fog light warning lamp
- K65 Left turn signal warning lamp
- K94 Right turn signal warning lamp
- K170 Bulb failure warning lamp
- T18a 18-pin connector
- T73c 73-pin connector, black
- B397** Connection 1 (convenience CAN bus, high), in main wiring harness
- B406** Connection 1 (convenience CAN bus, low), in main wiring harness

- ws = white
- sw = black
- ro = red
- rt = red
- br = brown
- gn = green
- bl = blue
- gr = grey
- li = purple
- vi = purple
- ge = yellow
- or = orange
- rs = pink

Exterior lighting , (K8B),(L0R)

From November 2015



Light switch

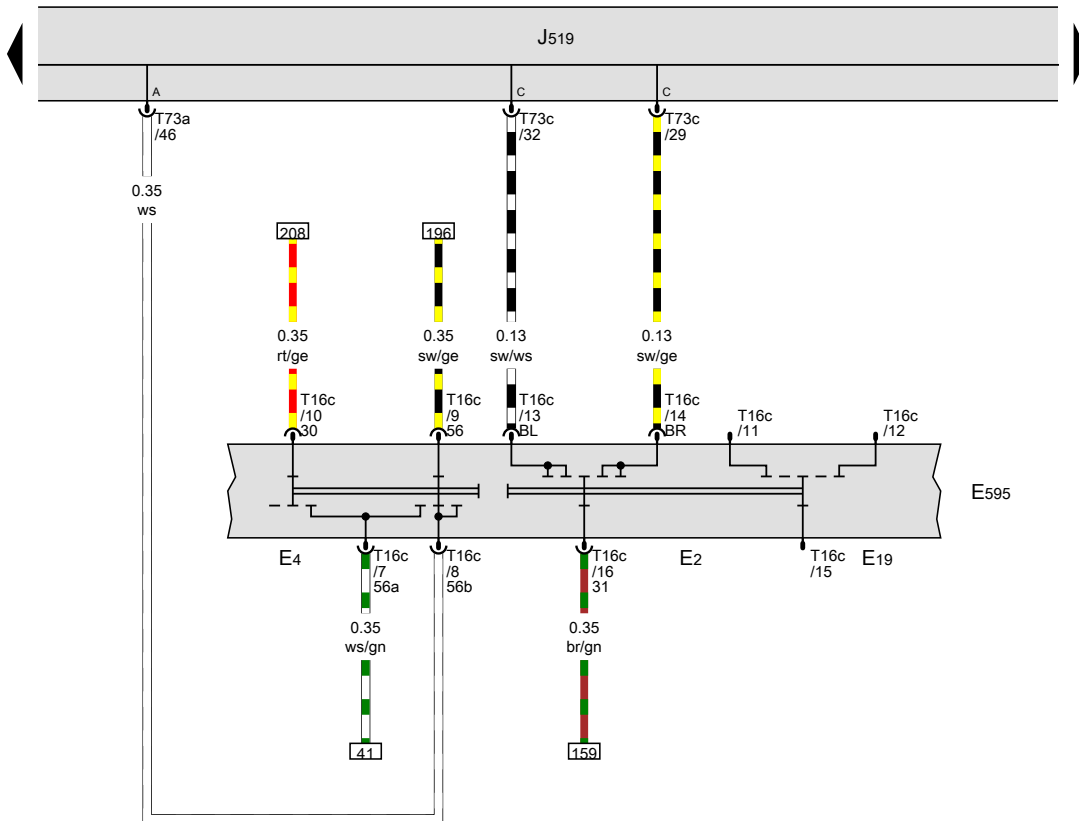
- E1 Light switch
- E23 Front and rear fog light switch
- J519 Onboard supply control unit
- L9 Light switch illumination bulb
- T10e 10-pin connector
- T73a 73-pin connector, black
- T73c 73-pin connector, black
- 366 Earth connection 1, in main wiring harness
- 367 Earth connection 2, in main wiring harness
- B340 Connection 1 (58d), in main wiring harness

- ws = white
- sw = black
- ro = red
- rt = red
- br = brown
- gn = green
- bl = blue
- gr = grey
- li = purple
- vi = purple
- ge = yellow
- or = orange
- rs = pink

[NH0-082020516]

Turn signal switch, Headlight dipper and flasher switch, Parking light switch, Steering column combination switch

- E2 Turn signal switch
- E4 Headlight dipper and flasher switch
- E19 Parking light switch
- E595 Steering column combination switch
- J519 Onboard supply control unit
- T16c 16-pin connector
- T73a 73-pin connector, black
- T73c 73-pin connector, black

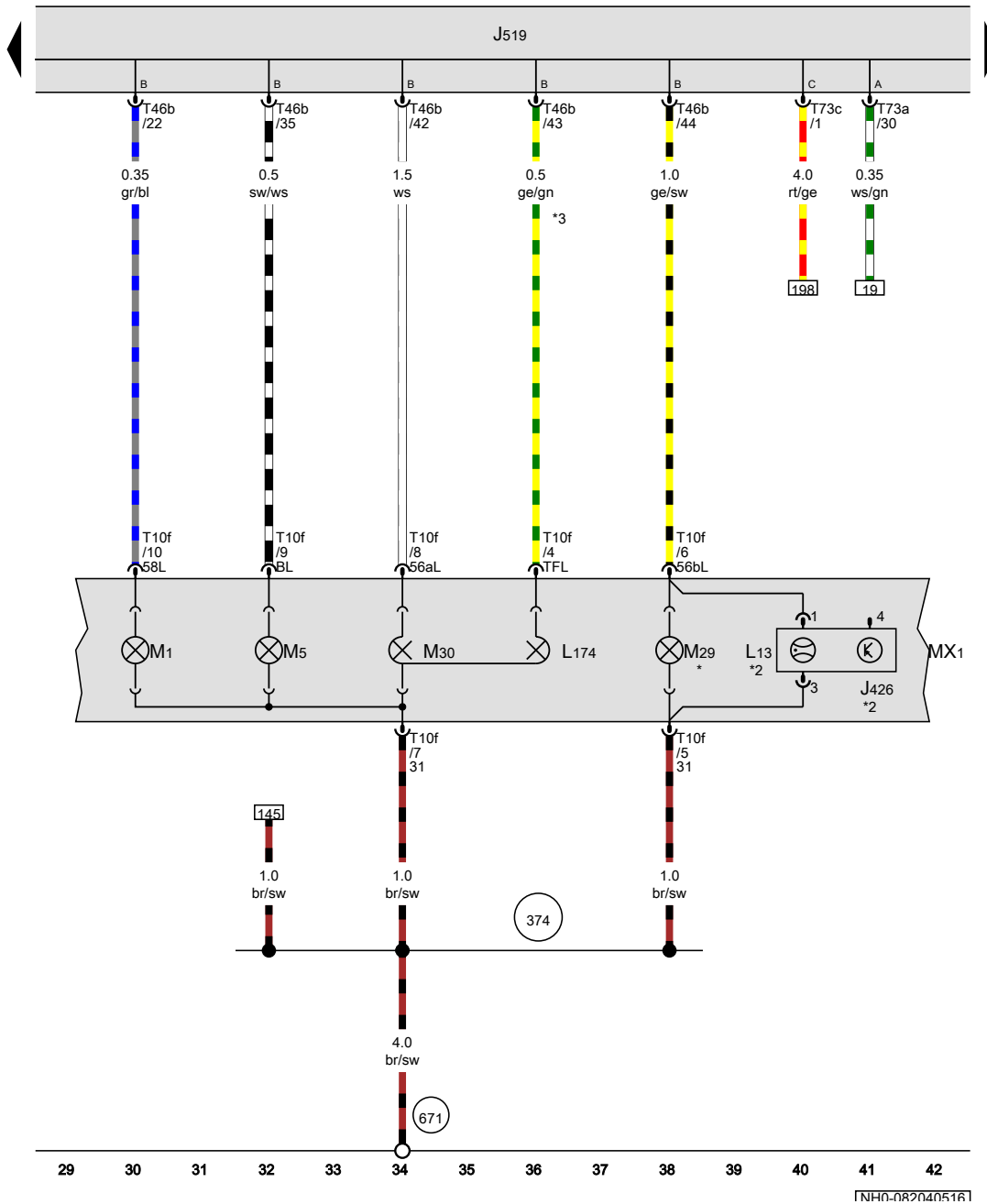


- ws = white
- sw = black
- ro = red
- rt = red
- br = brown
- gn = green
- bl = blue
- gr = grey
- li = purple
- vi = purple
- ge = yellow
- or = orange
- rs = pink

15 16 17 18 19 20 21 22 23 24 25 26 27 28

[NH0-082030516]

Front left headlight



- J426 Left headlight starter for gas discharge light
- J519 Onboard supply control unit
- L13 Left gas discharge (xenon) bulb
- L174 Left daytime running light bulb
- MX1 Front left headlight
- M1 Left side light bulb
- M5 Front left turn signal bulb
- M29 Left headlight dipped beam bulb
- M30 Left headlight main beam bulb
- T10f 10-pin connector
- T46b 46-pin connector, brown
- T73a 73-pin connector, black
- T73c 73-pin connector, black

- 374 Earth connection 9, in main wiring harness
- 671 Earth point 1, on front of left longitudinal member

- * Only models with halogen headlights
- *2 Only models with xenon headlights
- *3 Only models with daytime running lights

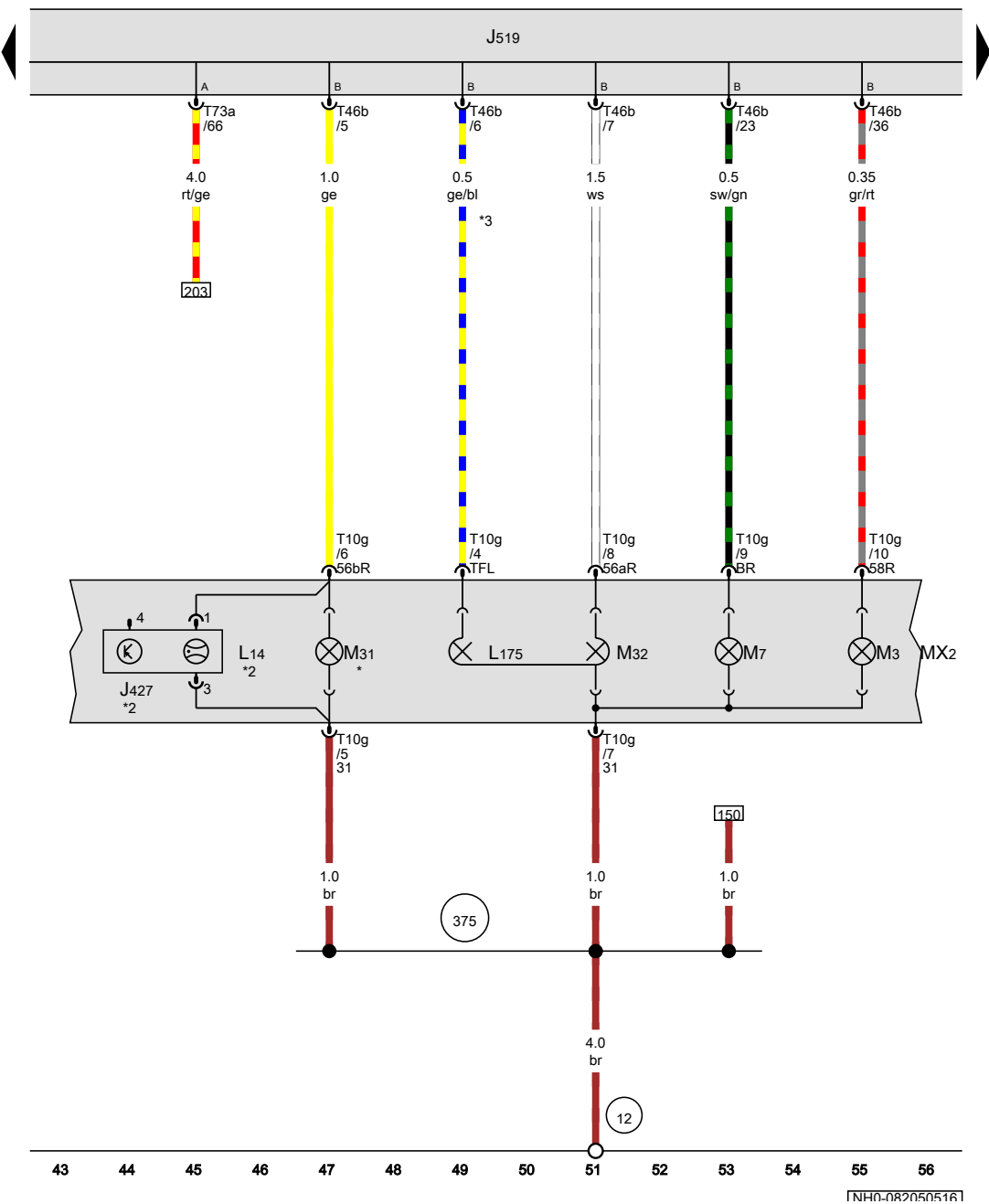
- ws = white
- sw = black
- ro = red
- rt = red
- br = brown
- gn = green
- bl = blue
- gr = grey
- li = purple
- vi = purple
- ge = yellow
- or = orange
- rs = pink

[NH0-082040516]

Front right headlight

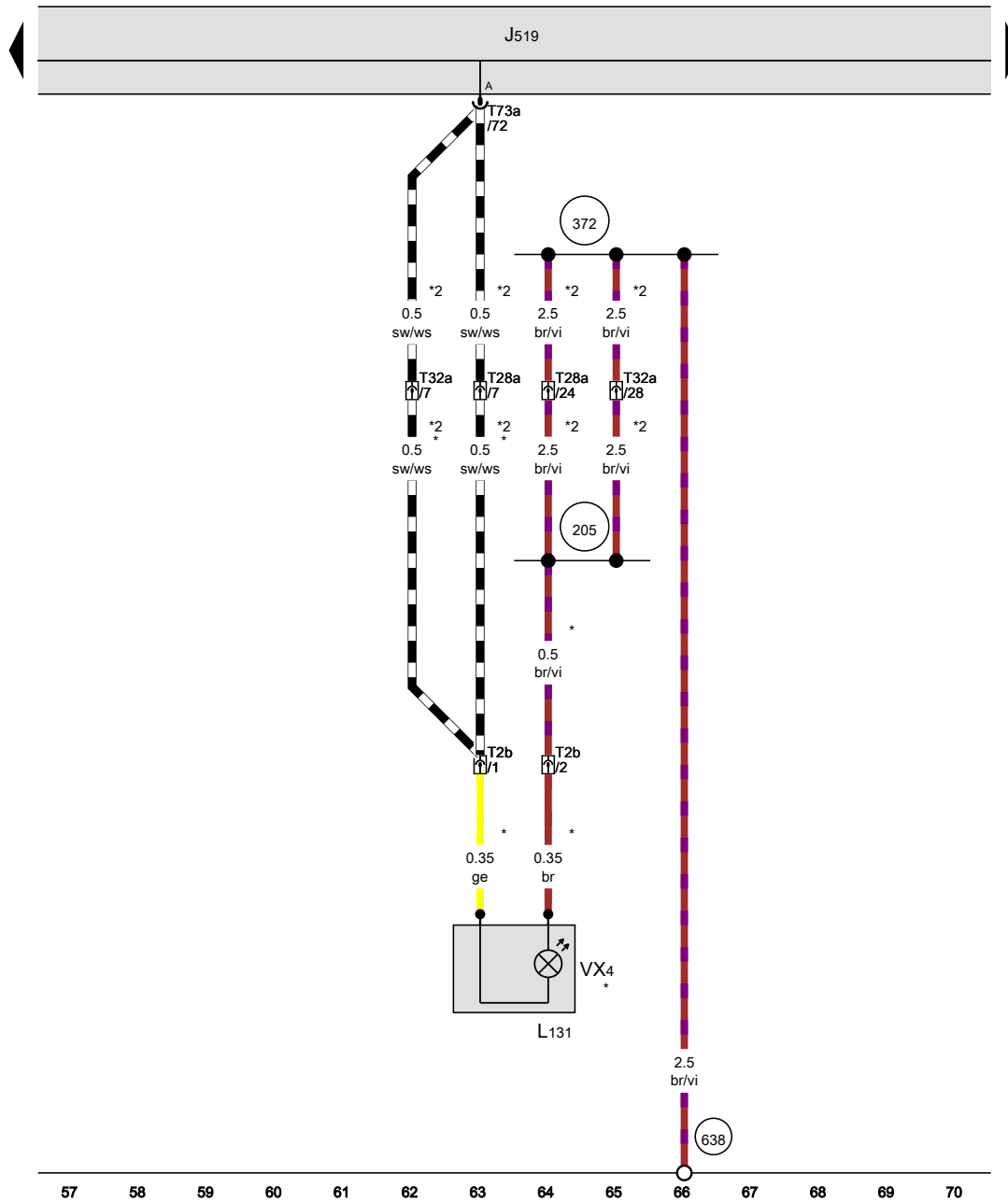
- J427 Right headlight starter for gas discharge light
- J519 Onboard supply control unit
- L14 Right gas discharge (xenon) bulb
- L175 Right daytime running light bulb
- MX2 Front right headlight
- M3 Right side light bulb
- M7 Front right turn signal bulb
- M31 Right headlight dipped beam bulb
- M32 Right headlight main beam bulb
- T10g 10-pin connector
- T46b 46-pin connector, brown
- T73a 73-pin connector, black

- 12 Earth point, on left in engine compartment
- 375 Earth connection 10, in main wiring harness
- * Only models with halogen headlights
- *2 Only models with xenon headlights
- *3 Only models with daytime running lights



- ws = white
- sw = black
- ro = red
- rt = red
- br = brown
- gn = green
- bl = blue
- gr = grey
- li = purple
- vi = purple
- ge = yellow
- or = orange
- rs = pink

[NH0-082050516]



Driver side exterior mirror

- J519 Onboard supply control unit
- L131 Driver side turn signal repeater bulb
- T2b 2-pin connector
- T28a 28-pin connector, on right A-pillar
- T32a 32-pin connector, on right A-pillar
- T73a 73-pin connector, black
- VX4 Driver side exterior mirror

205 Earth connection, in driver door wiring harness

372 Earth connection 7, in main wiring harness

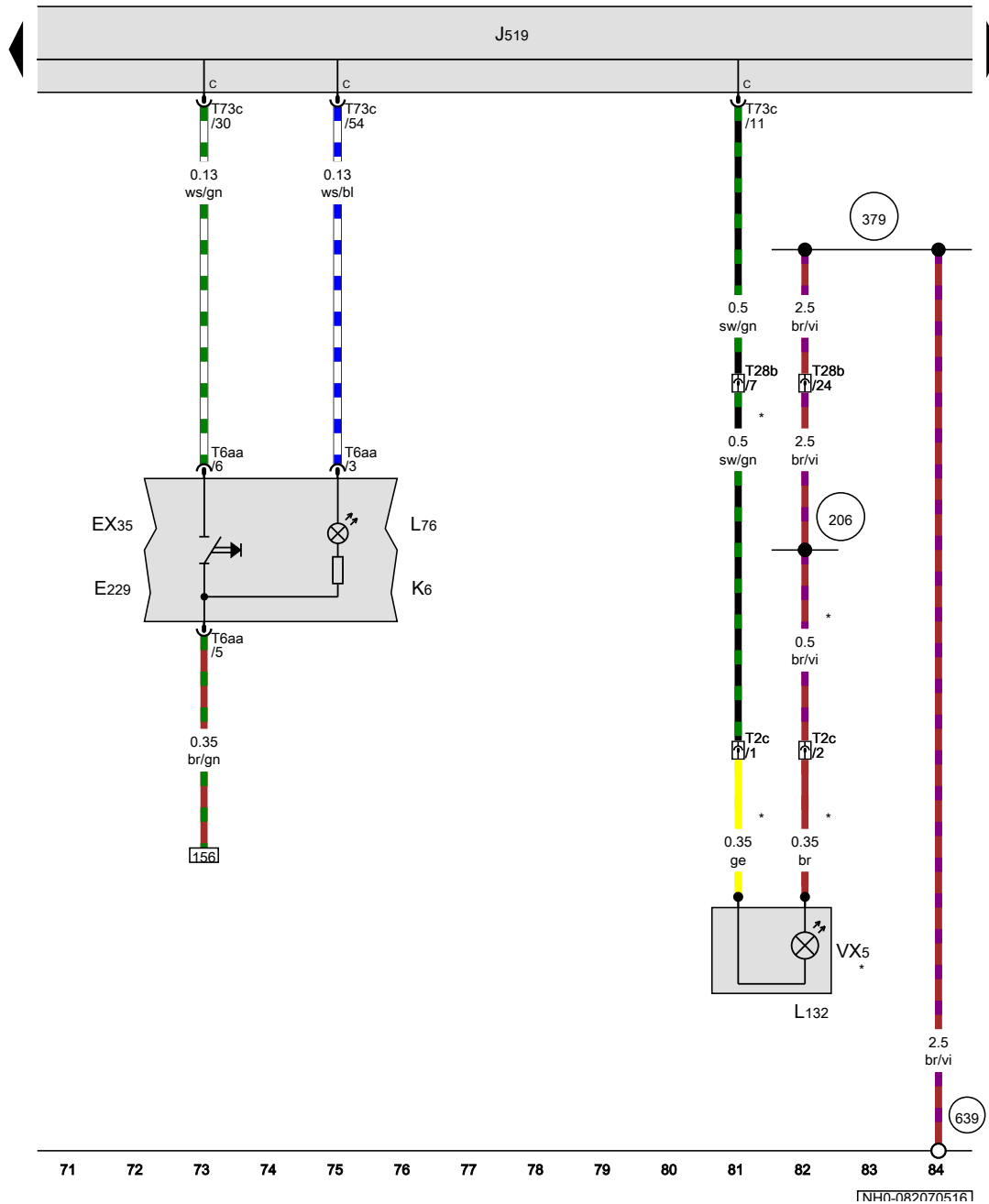
638 Earth point, on right A-pillar

* Only models with no electrically adjustable exterior mirrors

*2 According to equipment

- ws = white
- sw = black
- ro = red
- rt = red
- br = brown
- gn = green
- bl = blue
- gr = grey
- li = purple
- vi = purple
- ge = yellow
- or = orange
- rs = pink

1NH0-082060516



Centre switch module 2 in dash panel, Hazard warning lights button, Front passenger side exterior mirror

- EX35 Centre switch module 2 in dash panel
- E229 Hazard warning lights button
- J519 Onboard supply control unit
- K6 Indicator lamp for hazard warning light
- L76 Button illumination bulb
- L132 Front passenger side turn signal repeater bulb
- T2c 2-pin connector
- T6aa 6-pin connector
- T28b 28-pin connector, on left A-pillar
- T73c 73-pin connector, black
- VX5 Front passenger side exterior mirror
- 206 Earth connection, in front passenger door wiring harness
- 379 Earth connection 14, in main wiring harness
- 639 Earth point, left A-pillar
- * Only models with no electrically adjustable exterior mirrors

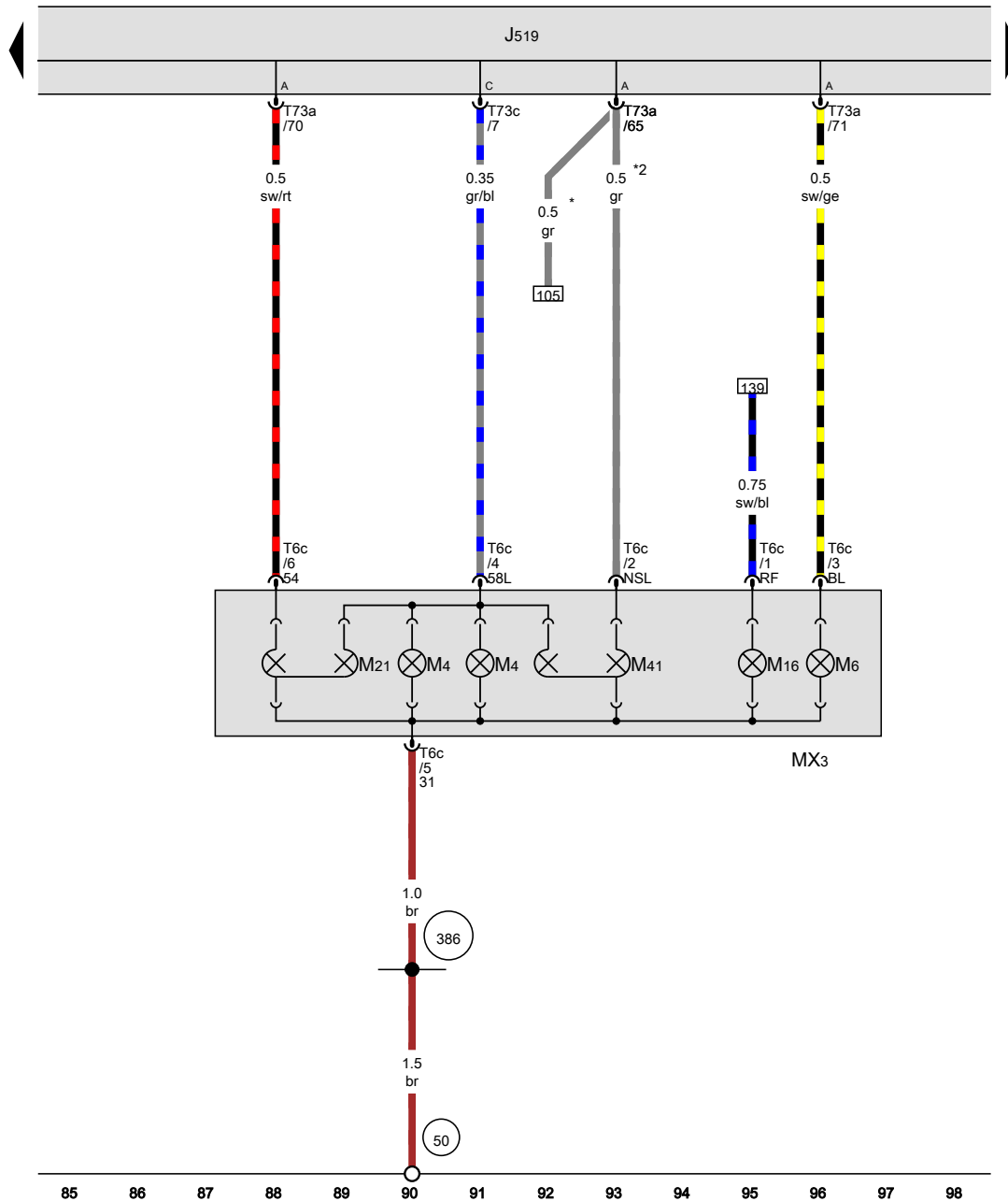
- ws = white
- sw = black
- ro = red
- rt = red
- br = brown
- gn = green
- bl = blue
- gr = grey
- li = purple
- vi = purple
- ge = yellow
- or = orange
- rs = pink

[NH0-082070516]

Left tail light

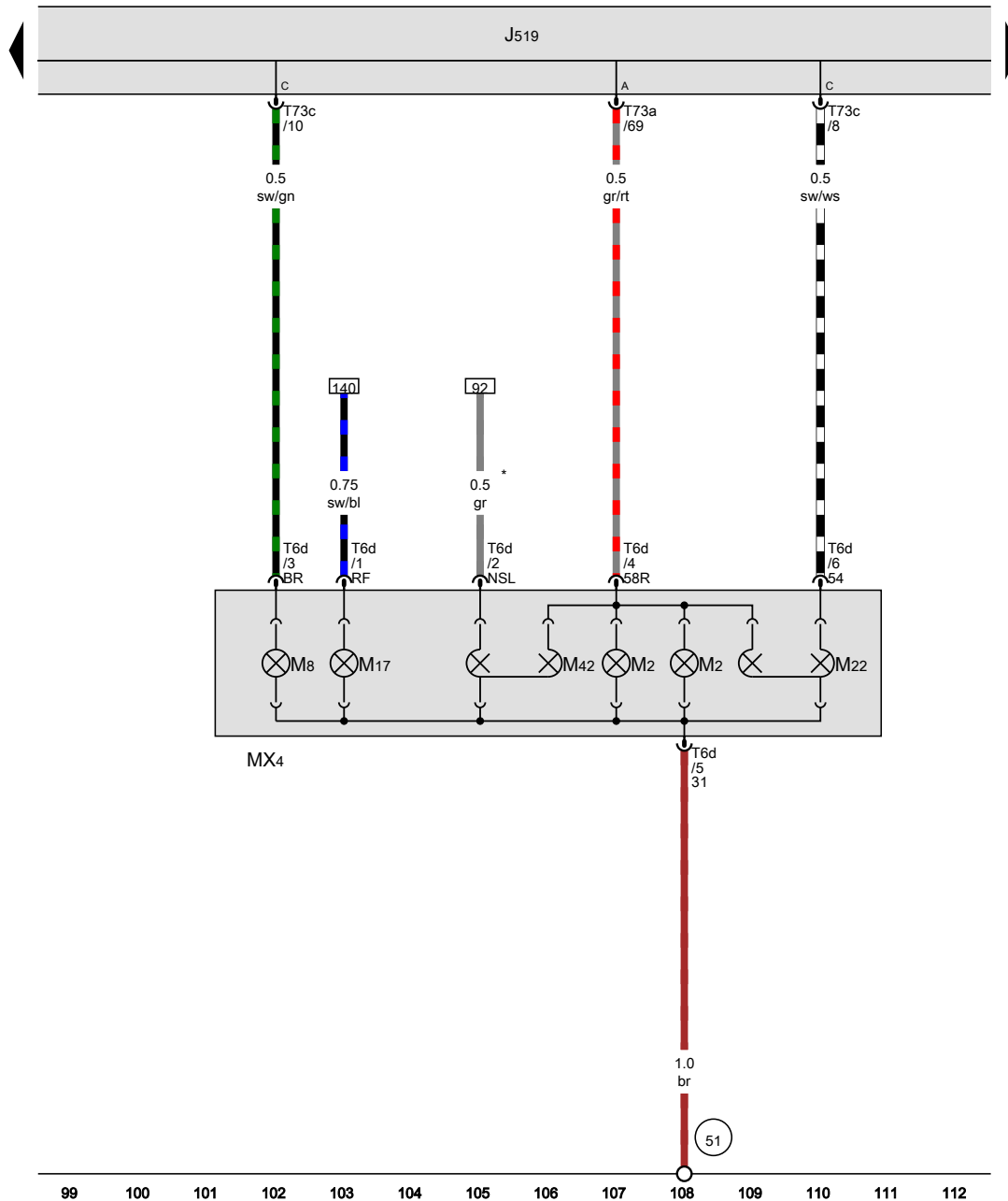
- J519 Onboard supply control unit
- MX3 Left tail light
- M4 Left tail light bulb
- M6 Rear left turn signal bulb
- M16 Left reversing light bulb
- M21 Left brake and tail light bulb
- M41 Left tail light and rear fog light bulb
- T6c 6-pin connector
- T73a 73-pin connector, black
- T73c 73-pin connector, black

- 50 Earth point, on left in luggage compartment
- 386 Earth connection 21, in main wiring harness
- * Only right-hand drive models
- *2 Only left-hand drive models



- ws = white
- sw = black
- ro = red
- rt = red
- br = brown
- gn = green
- bl = blue
- gr = grey
- li = purple
- vi = purple
- ge = yellow
- or = orange
- rs = pink

[NH0-082080516]



Right tail light

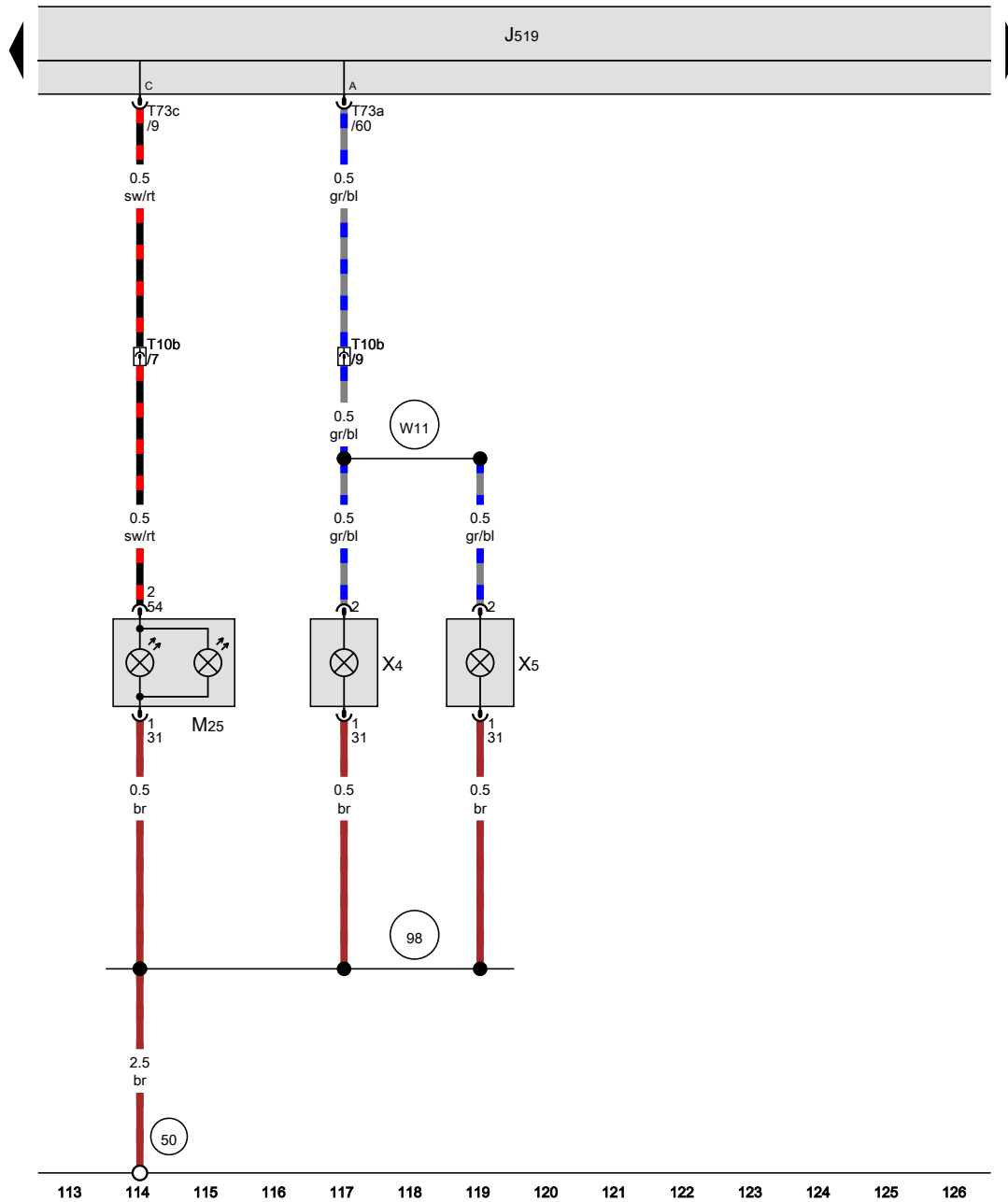
- J519 Onboard supply control unit
- M2 Right tail light bulb
- MX4 Right tail light
- M8 Rear right turn signal bulb
- M17 Right reversing light bulb
- M22 Right brake and tail light bulb
- M42 Right tail light and rear fog light bulb
- T6d 6-pin connector
- T73a 73-pin connector, black
- T73c 73-pin connector, black

51 Earth point, on right in luggage compartment

* Only right-hand drive models

- ws = white
- sw = black
- ro = red
- rt = red
- br = brown
- gn = green
- bl = blue
- gr = grey
- li = purple
- vi = purple
- ge = yellow
- or = orange
- rs = pink

1NH0-082090516



High-level brake light bulb, Left number plate light, Right number plate light

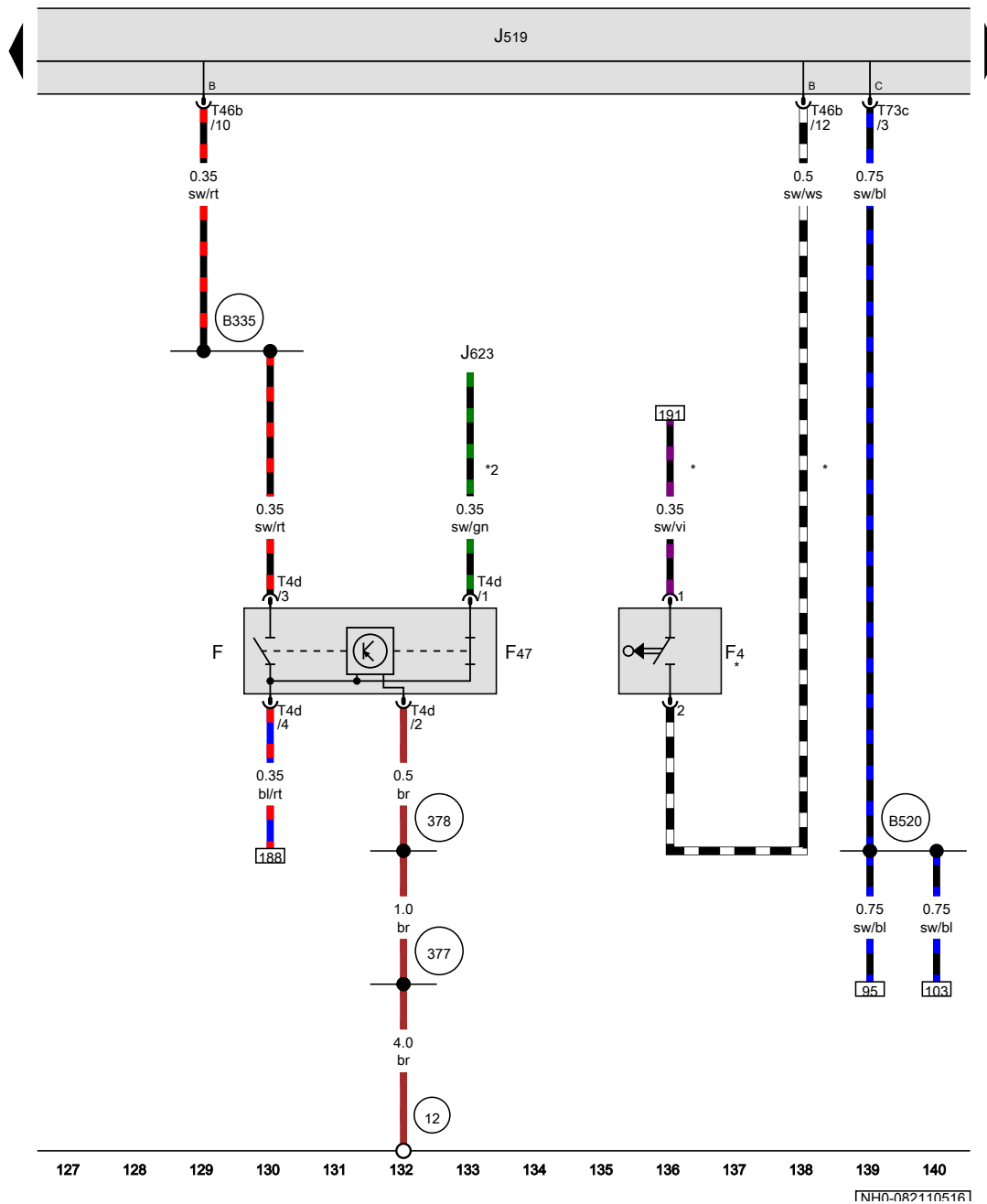
- J519 Onboard supply control unit
- M25 High-level brake light bulb
- T10b 10-pin connector
- T73a 73-pin connector, black
- T73c 73-pin connector, black
- X4 Left number plate light
- X5 Right number plate light

- 50 Earth point, on left in luggage compartment
- 98 Earth connection, in rear lid wiring harness
- W11 Connection (58), in rear lid wiring harness

- ws = white
- sw = black
- ro = red
- rt = red
- br = brown
- gn = green
- bl = blue
- gr = grey
- li = purple
- vi = purple
- ge = yellow
- or = orange
- rs = pink

[NH0-082100516]

Reversing light switch, Brake pedal switch



- F Brake light switch
- F4 Reversing light switch
- F47 Brake pedal switch
- J519 Onboard supply control unit
- J623 Engine control unit
- T4d 4-pin connector
- T46b 46-pin connector, brown
- T73c 73-pin connector, black

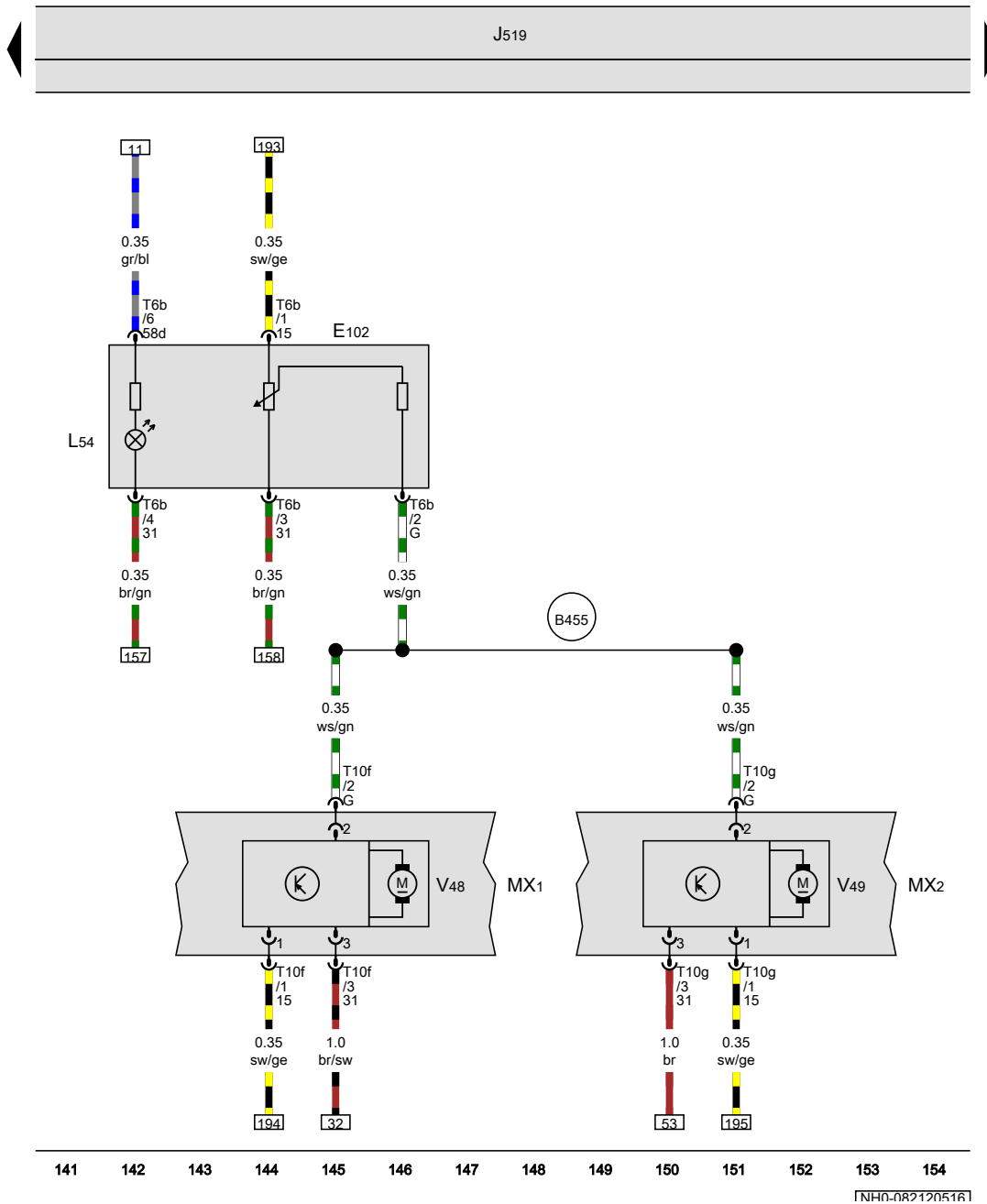
- (12) Earth point, on left in engine compartment
- (377) Earth connection 12, in main wiring harness
- (378) Earth connection 13, in main wiring harness
- (B335) Connection 1 (54), in main wiring harness
- (B520) Connection (RL), in main wiring harness
- * Only models with manual gearbox
- *2 see applicable current flow diagram for engine

- ws = white
- sw = black
- ro = red
- rt = red
- br = brown
- gn = green
- bl = blue
- gr = grey
- li = purple
- vi = purple
- ge = yellow
- or = orange
- rs = pink

[NH0-082110516]

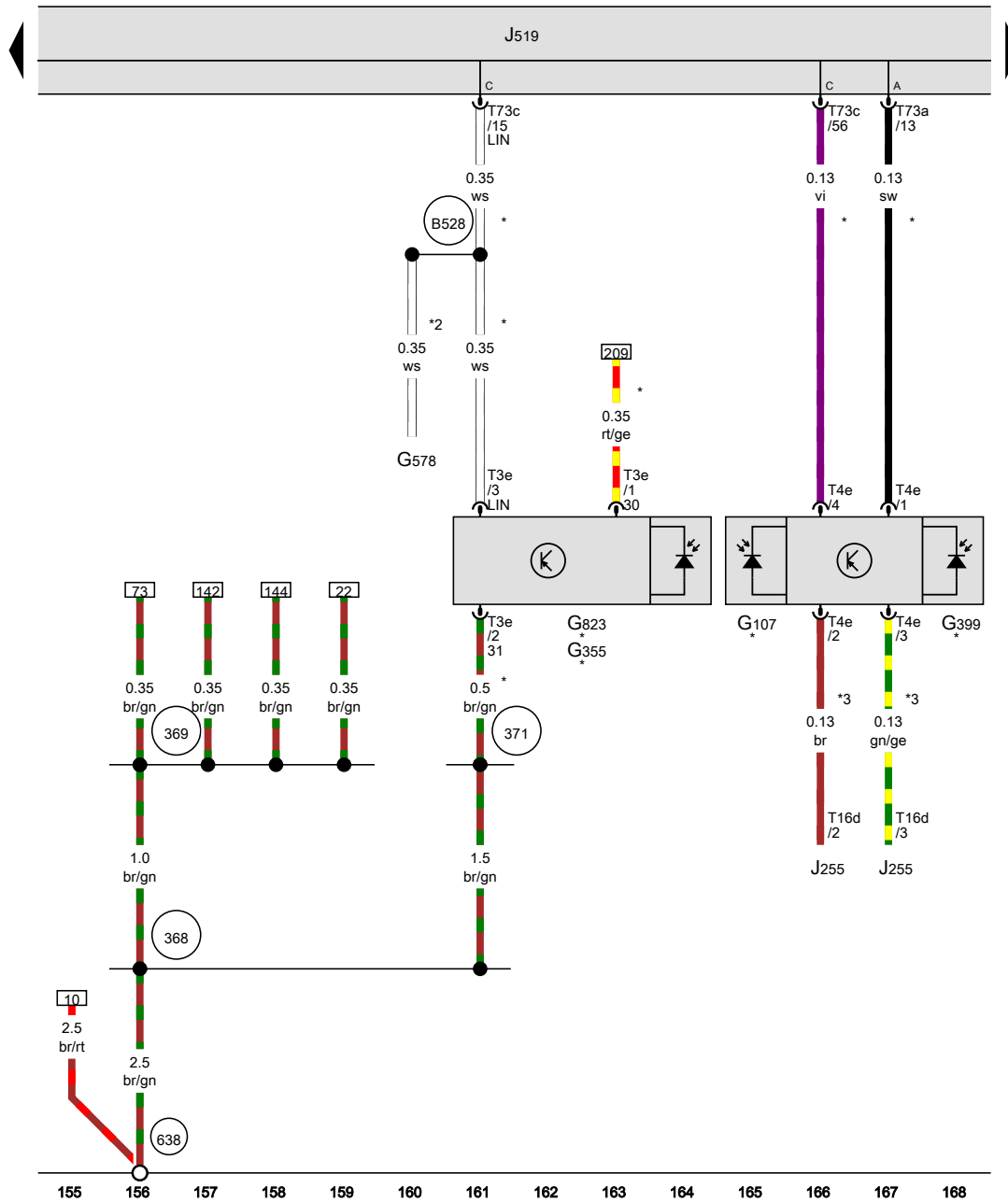
Headlight range control regulator, Left headlight range control motor, Right headlight range control motor

- E102 Headlight range control regulator
- J519 Onboard supply control unit
- L54 Headlight range control regulator illumination bulb
- MX1 Front left headlight
- MX2 Front right headlight
- T6b 6-pin connector
- T10f 10-pin connector
- T10g 10-pin connector
- V48 Left headlight range control motor
- V49 Right headlight range control motor
- B455 Connection (HRC), in main wiring harness



[NH0-082120516]

Sunlight penetration photosensor, Humidity sender, Light sensor, Air humidity, rain and light sensor



- G107 Sunlight penetration photosensor
- G355 Humidity sender
- G399 Light sensor
- G578 Anti-theft alarm sensor
- G823 Air humidity, rain and light sensor
- J255 Climatronic control unit
- J519 Onboard supply control unit
- T3e 3-pin connector
- T4e 4-pin connector
- T16d 16-pin connector
- T73a 73-pin connector, black
- T73c 73-pin connector, black

- 368 Earth connection 3, in main wiring harness
- 369 Earth connection 4, in main wiring harness
- 371 Earth connection 6, in main wiring harness
- 638 Earth point, on right A-pillar
- B528 Connection 1 (LIN bus) in main wiring harness

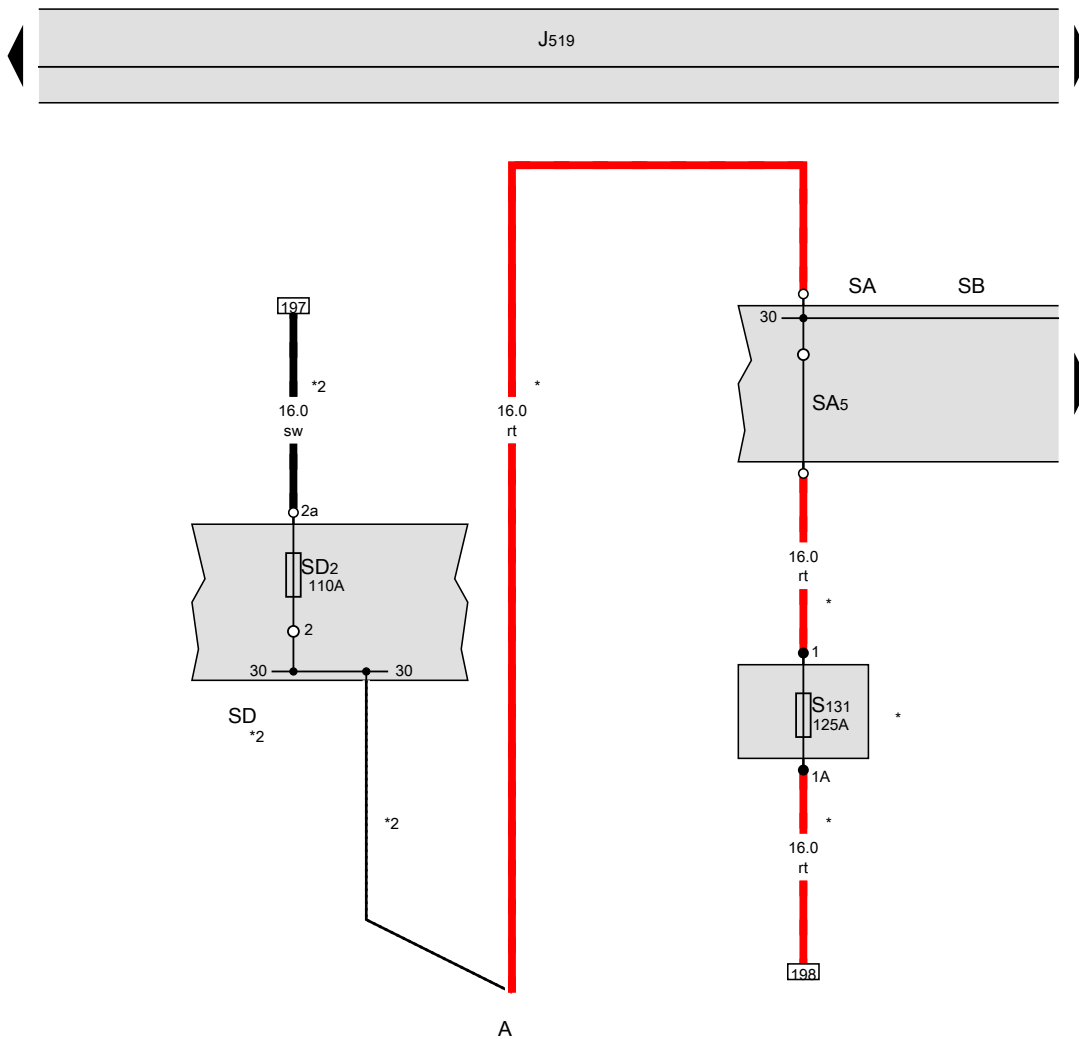
- * According to equipment
- *2 For models with anti-theft alarm system
- *3 Only models with Climatronic

- ws = white
- sw = black
- ro = red
- rt = red
- br = brown
- gn = green
- bl = blue
- gr = grey
- li = purple
- vi = purple
- ge = yellow
- or = orange
- rs = pink

[NH0-082130516]

Battery, Fuse holder A, Fuse holder B, Fuse holder D

- A Battery
- J519 Onboard supply control unit
- SD2 Fuse 2 on fuse holder D
- SA5 Fuse 5 in fuse holder A
- S131 Fuse 1, in main wiring harness
- SA Fuse holder A
- SB Fuse holder B
- SD Fuse holder D
- * Only models with battery in engine compartment
- *2 Only models with battery in luggage compartment



- ws = white
- sw = black
- ro = red
- rt = red
- br = brown
- gn = green
- bl = blue
- gr = grey
- li = purple
- vi = purple
- ge = yellow
- or = orange
- rs = pink

169 170 171 172 173 174 175 176 177 178 179 180 181 182

[NH0-082140516]

Fuse holder B, Fuse holder C

- J271 Main relay
- J329 Terminal 15 voltage supply relay
- J519 Onboard supply control unit
- SB Fuse holder B
- SB13 Fuse 13 on fuse holder B
- SC Fuse holder C
- SC30 Fuse 30 on fuse holder C
- SC32 Fuse 32 on fuse holder C

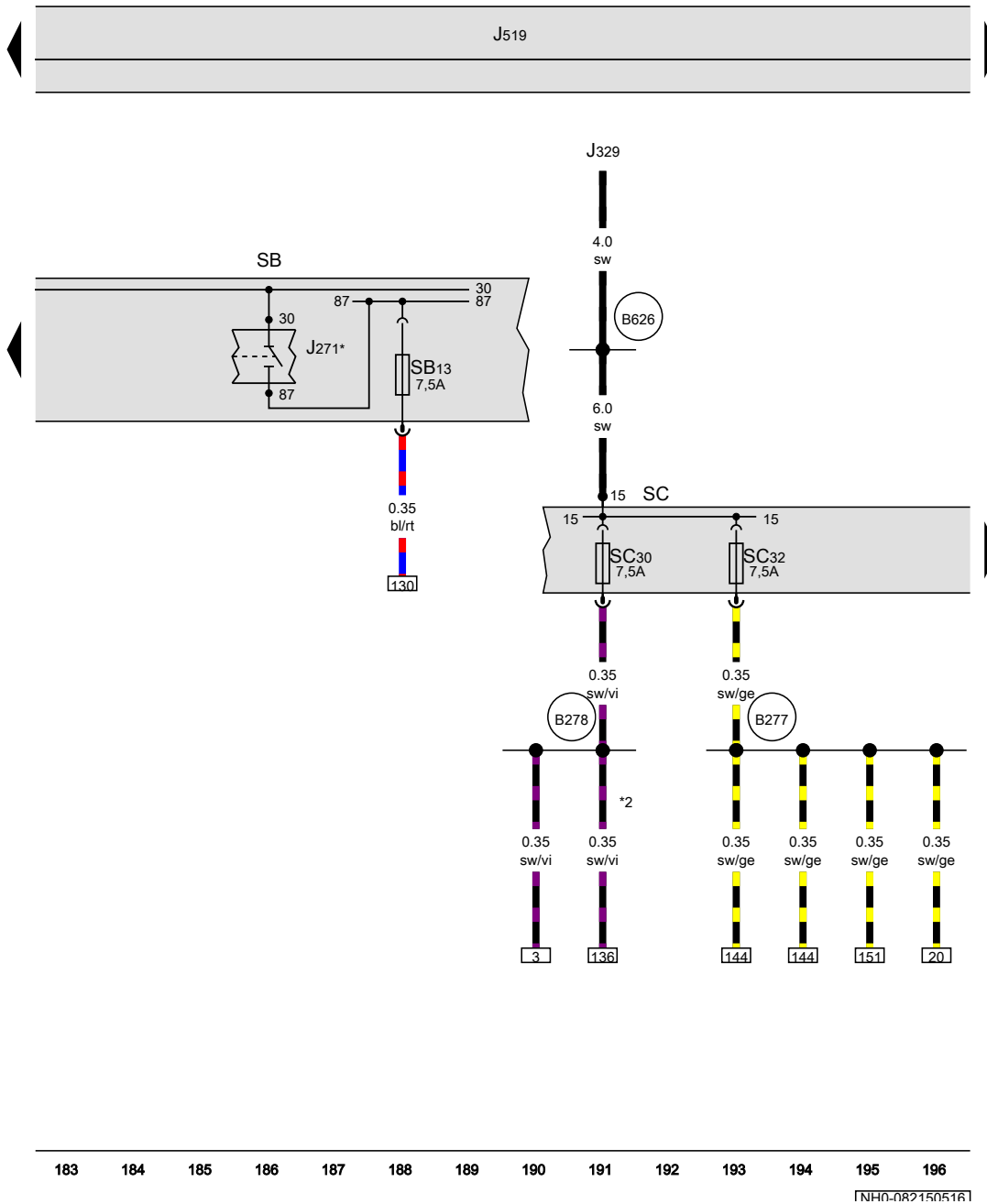
B277 Positive connection 1 (15a) in main wiring harness

B278 Positive connection 2 (15a) in main wiring harness

B626 Positive connection 2 (15), in main wiring harness

* see applicable current flow diagram for engine

*2 Only models with manual gearbox



- ws = white
- sw = black
- ro = red
- rt = red
- br = brown
- gn = green
- bl = blue
- gr = grey
- li = purple
- vi = purple
- ge = yellow
- or = orange
- rs = pink

183 184 185 186 187 188 189 190 191 192 193 194 195 196

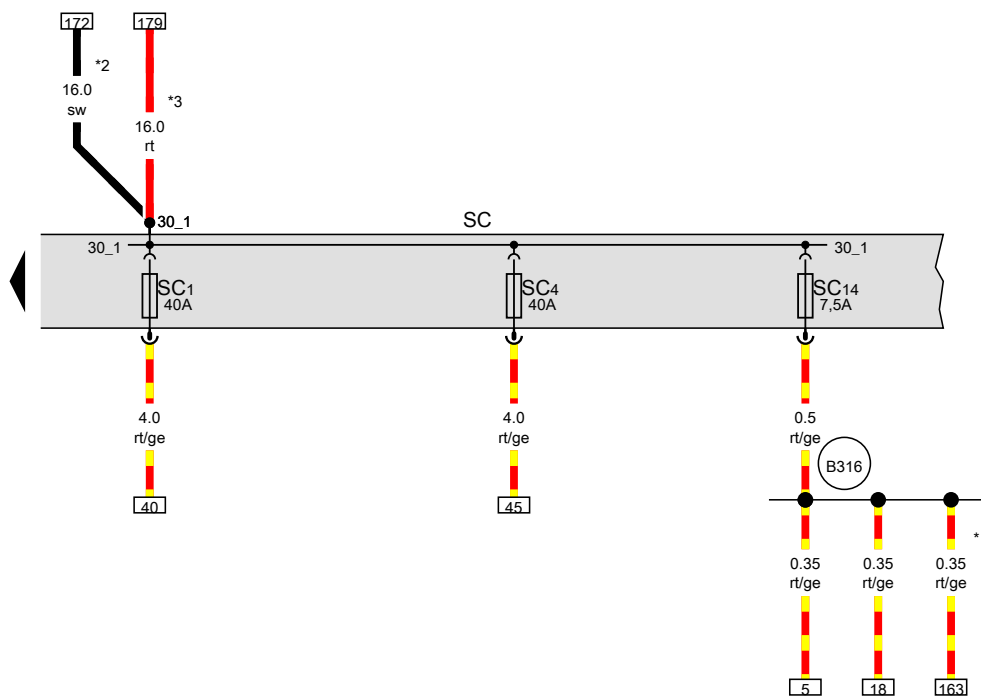
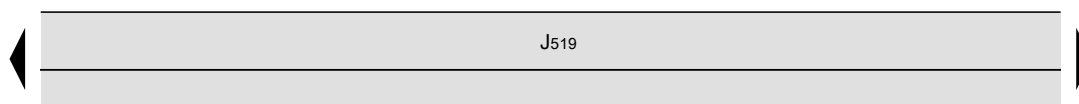
[NH0-082150516]

Fuse holder C

- J519 Onboard supply control unit
- SC Fuse holder C
- SC1 Fuse 1 on fuse holder C
- SC4 Fuse 4 on fuse holder C
- SC14 Fuse 14 on fuse holder C

B316 Positive connection 2 (30a) in main wiring harness

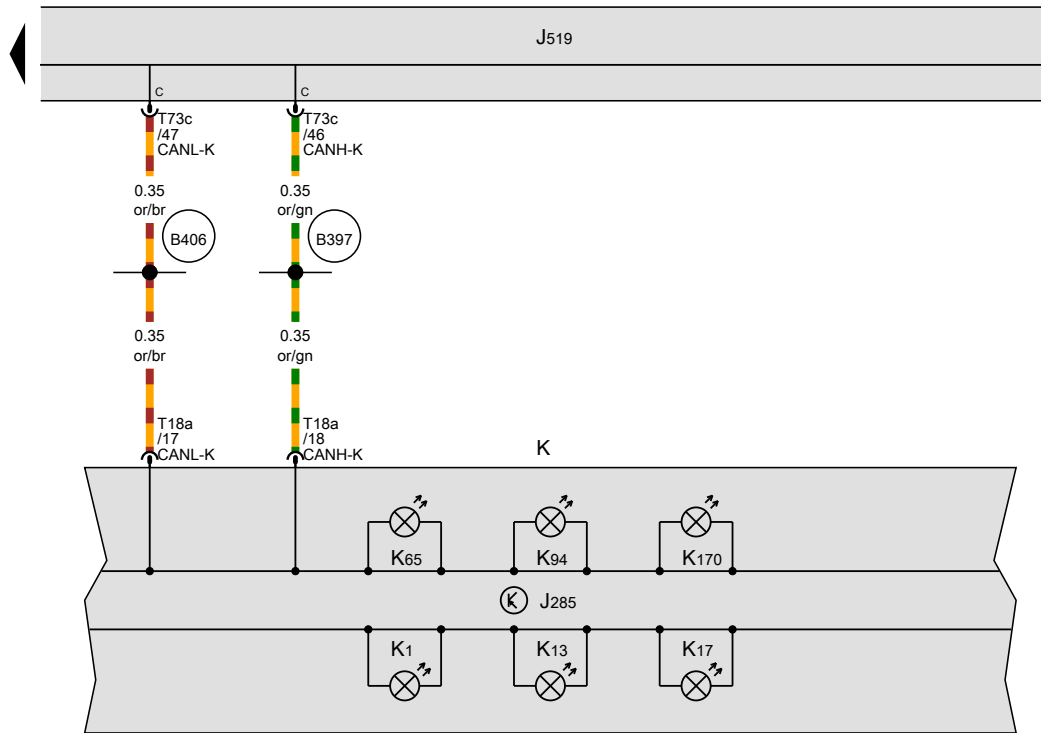
- * According to equipment
- *2 Only models with battery in luggage compartment
- *3 Only models with battery in engine compartment



- ws = white
- sw = black
- ro = red
- rt = red
- br = brown
- gn = green
- bl = blue
- gr = grey
- li = purple
- vi = purple
- ge = yellow
- or = orange
- rs = pink

197 198 199 200 201 202 203 204 205 206 207 208 209 210

[NH0-082160516]



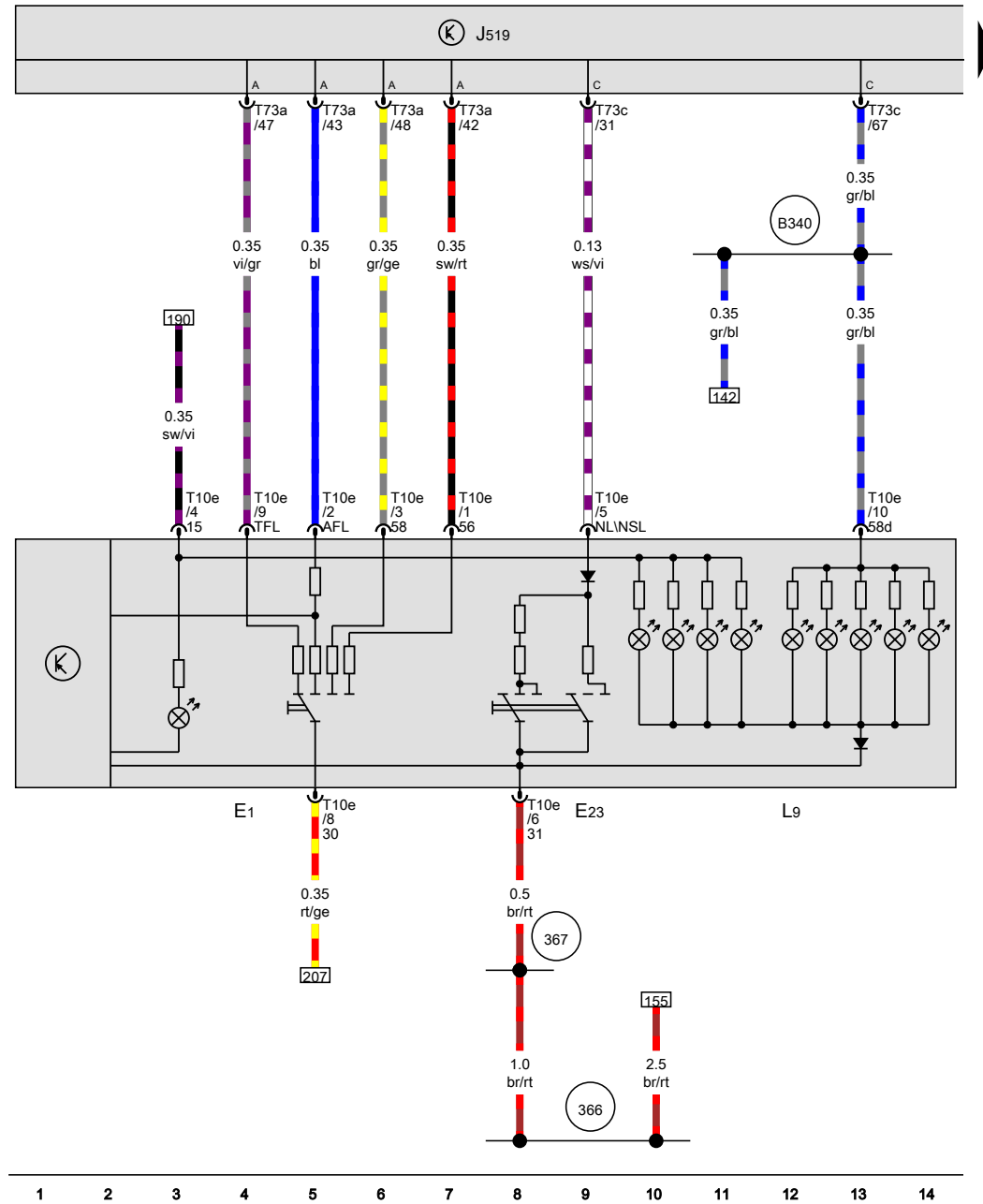
Dash panel insert

- J285 Control unit in dash panel insert
- J519 Onboard supply control unit
- K Dash panel insert
- K1 Main beam warning lamp
- K13 Rear fog light warning lamp
- K17 Fog light warning lamp
- K65 Left turn signal warning lamp
- K94 Right turn signal warning lamp
- K170 Bulb failure warning lamp
- T18a 18-pin connector
- T73c 73-pin connector, black
- B397** Connection 1 (convenience CAN bus, high), in main wiring harness
- B406** Connection 1 (convenience CAN bus, low), in main wiring harness

- ws = white
- sw = black
- ro = red
- rt = red
- br = brown
- gn = green
- bl = blue
- gr = grey
- li = purple
- vi = purple
- ge = yellow
- or = orange
- rs = pink

Exterior lighting , (K8R),(L0L)

From November 2015



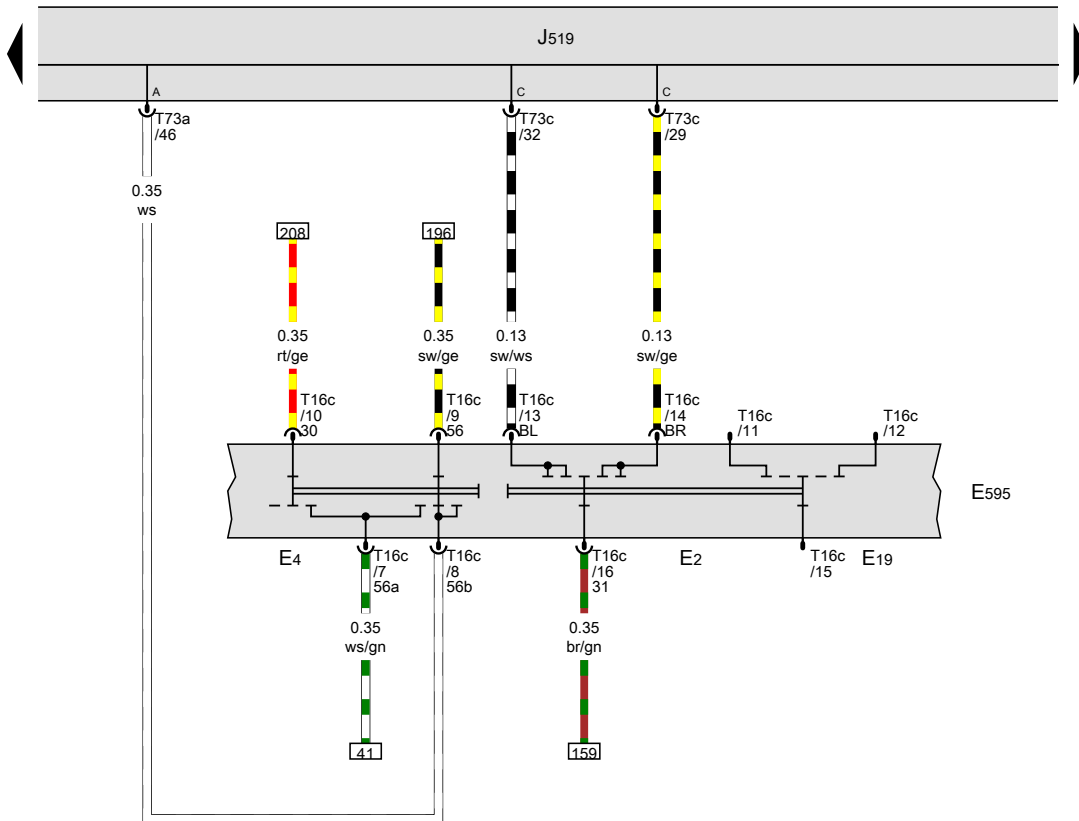
Light switch

- E1 Light switch
- E23 Front and rear fog light switch
- J519 Onboard supply control unit
- L9 Light switch illumination bulb
- T10e 10-pin connector
- T73a 73-pin connector, black
- T73c 73-pin connector, black
- 366 Earth connection 1, in main wiring harness
- 367 Earth connection 2, in main wiring harness
- B340 Connection 1 (58d), in main wiring harness

- ws = white
- sw = black
- ro = red
- rt = red
- br = brown
- gn = green
- bl = blue
- gr = grey
- li = purple
- vi = purple
- ge = yellow
- or = orange
- rs = pink

Turn signal switch, Headlight dipper and flasher switch, Parking light switch, Steering column combination switch

- E2 Turn signal switch
- E4 Headlight dipper and flasher switch
- E19 Parking light switch
- E595 Steering column combination switch
- J519 Onboard supply control unit
- T16c 16-pin connector
- T73a 73-pin connector, black
- T73c 73-pin connector, black

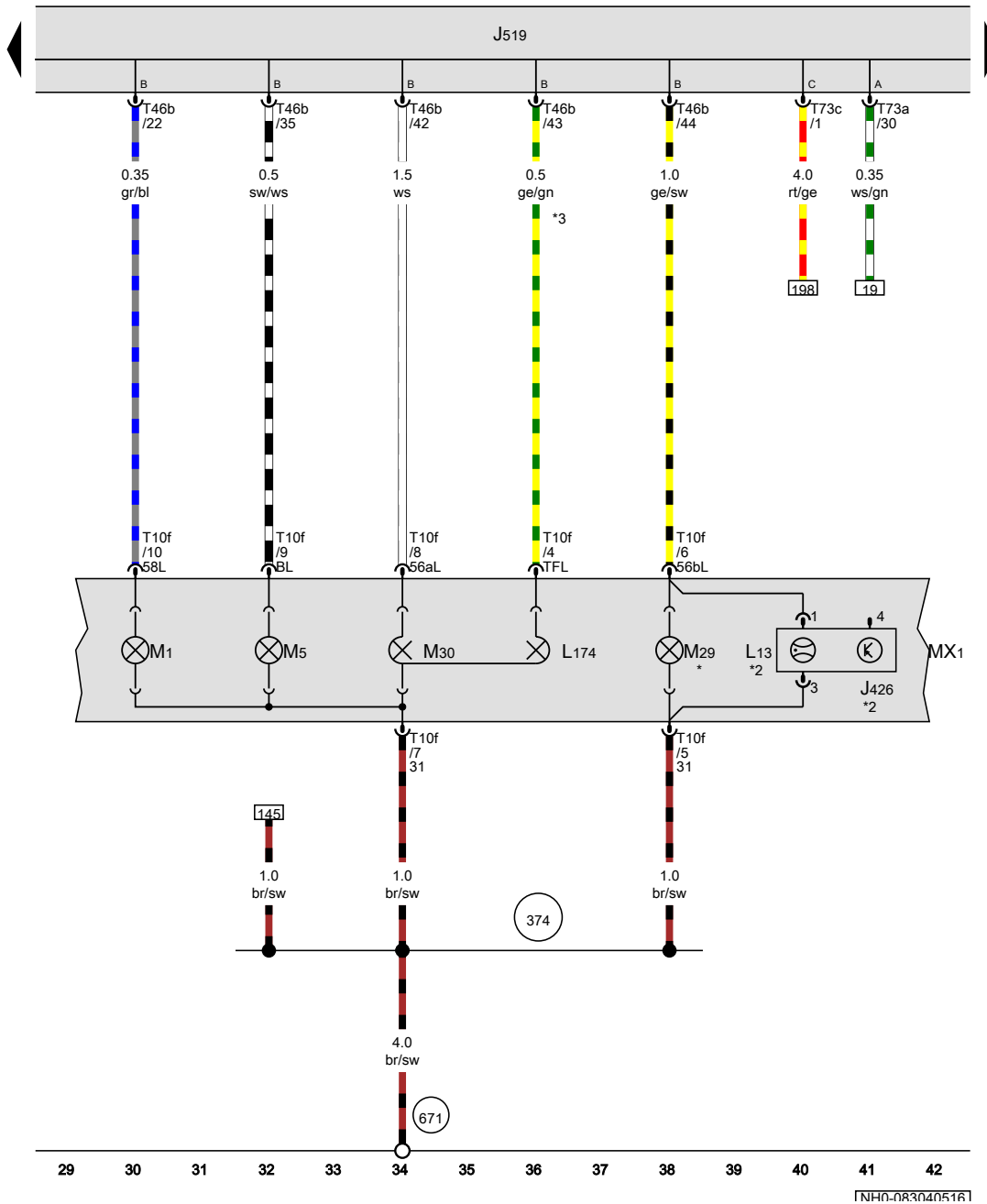


15 16 17 18 19 20 21 22 23 24 25 26 27 28

[NH0-083030516]

- ws = white
- sw = black
- ro = red
- rt = red
- br = brown
- gn = green
- bl = blue
- gr = grey
- li = purple
- vi = purple
- ge = yellow
- or = orange
- rs = pink

Front left headlight



- J426 Left headlight starter for gas discharge light
- J519 Onboard supply control unit
- L13 Left gas discharge (xenon) bulb
- L174 Left daytime running light bulb
- MX1 Front left headlight
- M1 Left side light bulb
- M5 Front left turn signal bulb
- M29 Left headlight dipped beam bulb
- M30 Left headlight main beam bulb
- T10f 10-pin connector
- T46b 46-pin connector, brown
- T73a 73-pin connector, black
- T73c 73-pin connector, black

- 374 Earth connection 9, in main wiring harness
- 671 Earth point 1, on front of left longitudinal member
- * Only models with halogen headlights
- *2 Only models with xenon headlights
- *3 Only models with daytime running lights

- ws = white
- sw = black
- ro = red
- rt = red
- br = brown
- gn = green
- bl = blue
- gr = grey
- li = purple
- vi = purple
- ge = yellow
- or = orange
- rs = pink

[NH0-083040516]

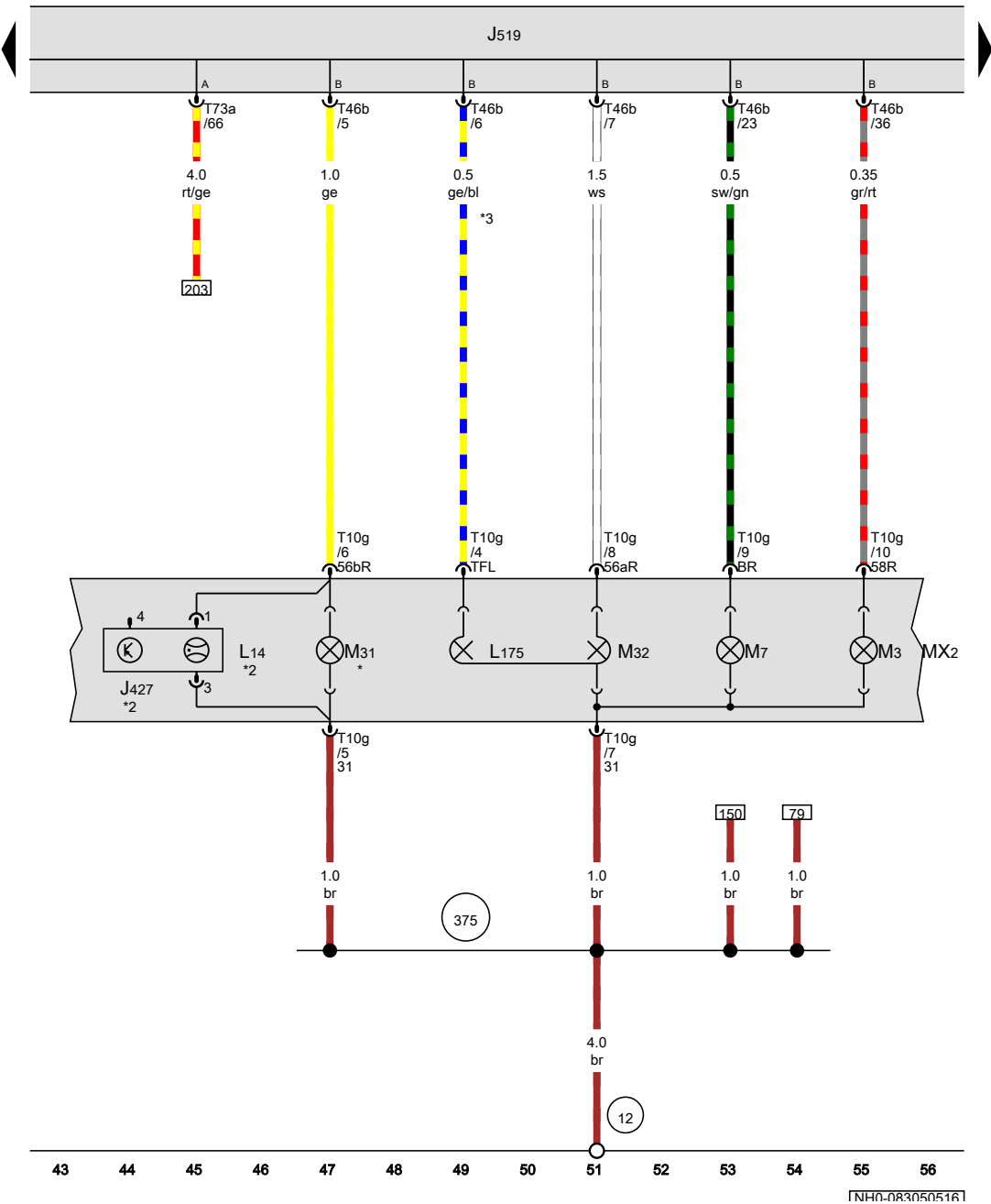
Front right headlight

- J427 Right headlight starter for gas discharge light
- J519 Onboard supply control unit
- L14 Right gas discharge (xenon) bulb
- L175 Right daytime running light bulb
- MX2 Front right headlight
- M3 Right side light bulb
- M7 Front right turn signal bulb
- M31 Right headlight dipped beam bulb
- M32 Right headlight main beam bulb
- T10g 10-pin connector
- T46b 46-pin connector, brown
- T73a 73-pin connector, black

12 Earth point, on left in engine compartment

375 Earth connection 10, in main wiring harness

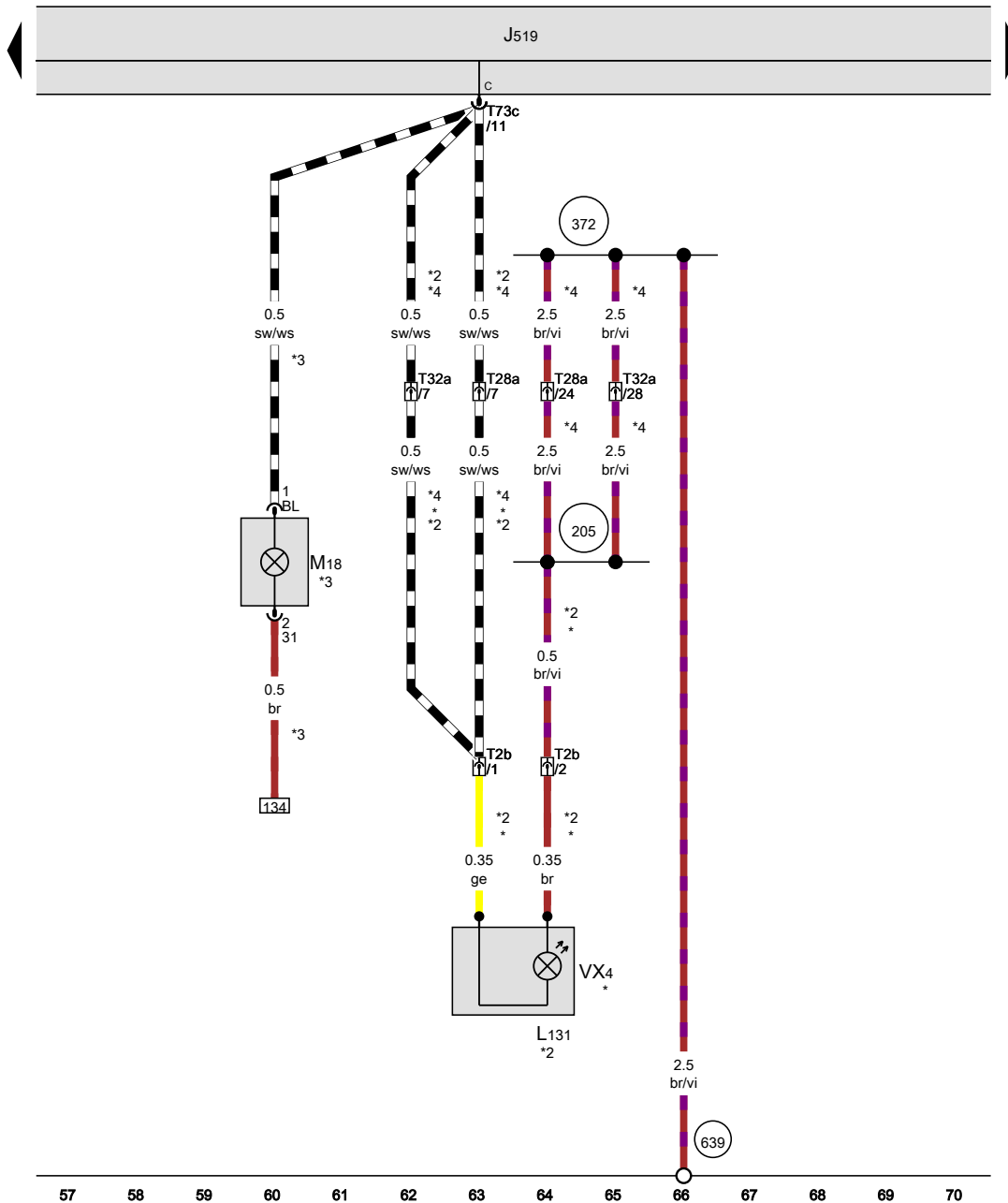
- * Only models with halogen headlights
- *2 Only models with xenon headlights
- *3 Only models with daytime running lights



- ws = white
- sw = black
- ro = red
- rt = red
- br = brown
- gn = green
- bl = blue
- gr = grey
- li = purple
- vi = purple
- ge = yellow
- or = orange
- rs = pink

[NH0-083050516]

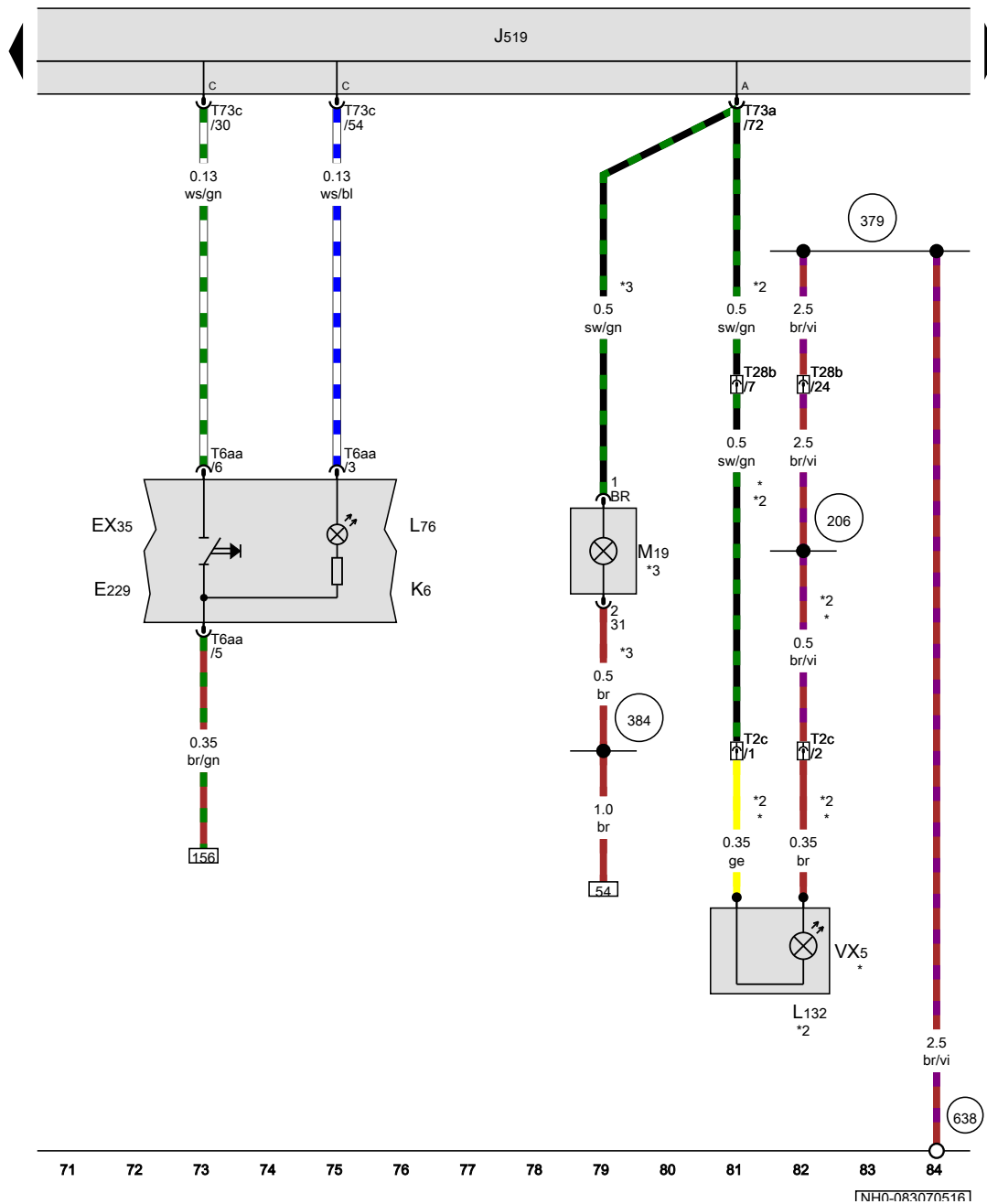
Left turn signal repeater bulb, Driver side exterior mirror



- J519 Onboard supply control unit
- L131 Driver side turn signal repeater bulb
- M18 Left turn signal repeater bulb
- T2b 2-pin connector
- T28a 28-pin connector, on left A-pillar
- T32a 32-pin connector, on left A-pillar
- T73c 73-pin connector, black
- VX4 Driver side exterior mirror
- 205 Earth connection, in driver door wiring harness
- 372 Earth connection 7, in main wiring harness
- 639 Earth point, left A-pillar
- * Only models with no electrically adjustable exterior mirrors
- *2 Not for models with equipment for Russia
- *3 Only models with equipment for Russia
- *4 According to equipment

- ws = white
- sw = black
- ro = red
- rt = red
- br = brown
- gn = green
- bl = blue
- gr = grey
- li = purple
- vi = purple
- ge = yellow
- or = orange
- rs = pink

1NH0-083060516



Centre switch module 2 in dash panel, Hazard warning lights button, Right turn signal repeater bulb, Front passenger side exterior mirror

- EX35 Centre switch module 2 in dash panel
 - E229 Hazard warning lights button
 - J519 Onboard supply control unit
 - K6 Indicator lamp for hazard warning light
 - L76 Button illumination bulb
 - L132 Front passenger side turn signal repeater bulb
 - M19 Right turn signal repeater bulb
 - T2c 2-pin connector
 - T6aa 6-pin connector
 - T28b 28-pin connector, on right A-pillar
 - T73a 73-pin connector, black
 - T73c 73-pin connector, black
 - VX5 Front passenger side exterior mirror
- 206 Earth connection, in front passenger door wiring harness
 - 379 Earth connection 14, in main wiring harness
 - 384 Earth connection 19, in main wiring harness
 - 638 Earth point, on right A-pillar
- * Only models with no electrically adjustable exterior mirrors
 - *2 Not for models with equipment for Russia
 - *3 Only models with equipment for Russia

- ws = white
- sw = black
- ro = red
- rt = red
- br = brown
- gn = green
- bl = blue
- gr = grey
- li = purple
- vi = purple
- ge = yellow
- or = orange
- rs = pink

[NH0-083070516]

Left tail light

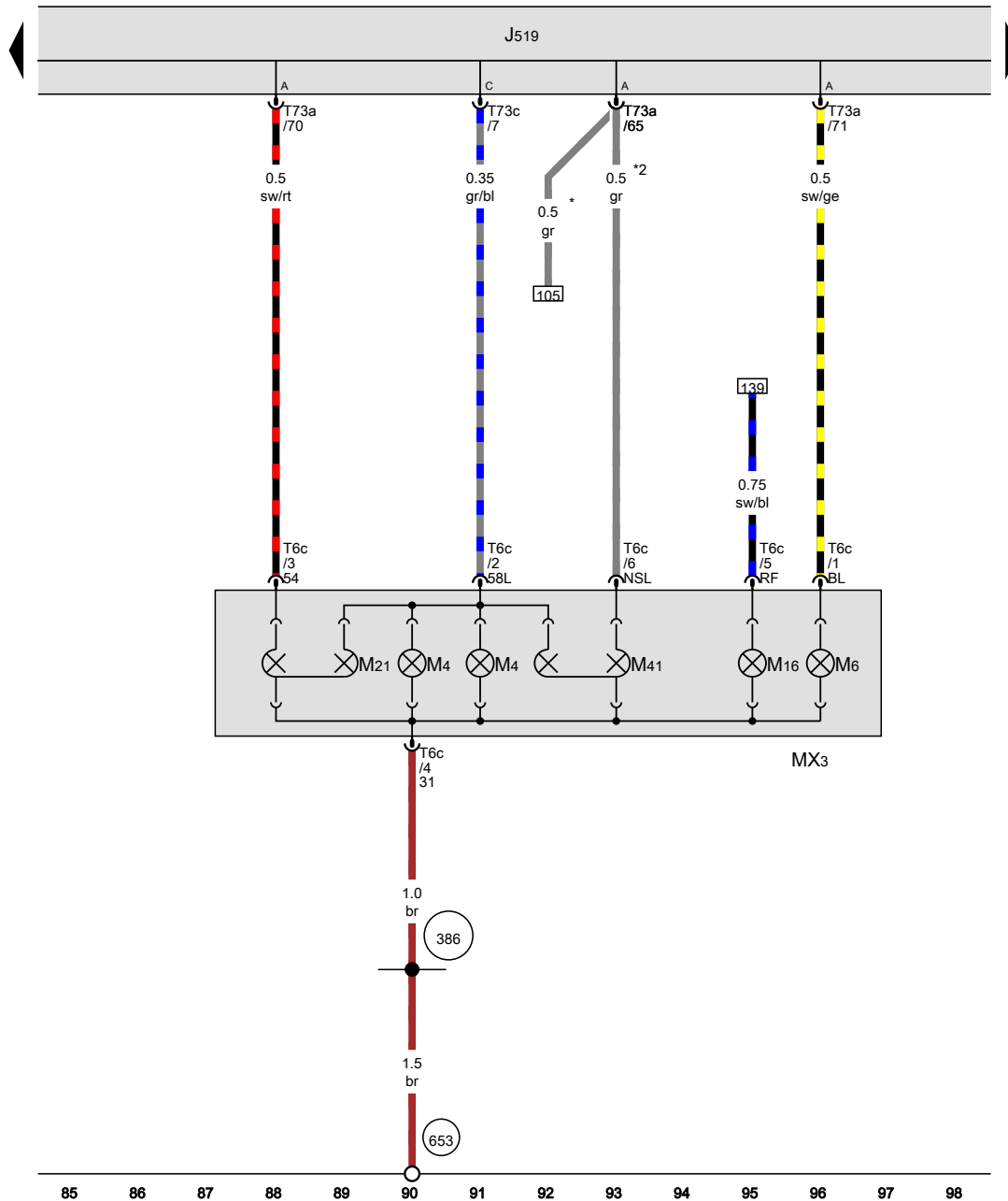
- J519 Onboard supply control unit
- MX3 Left tail light
- M4 Left tail light bulb
- M6 Rear left turn signal bulb
- M16 Left reversing light bulb
- M21 Left brake and tail light bulb
- M41 Left tail light and rear fog light bulb
- T6c 6-pin connector
- T73a 73-pin connector, black
- T73c 73-pin connector, black

386 Earth connection 21, in main wiring harness

653 Earth point, on left D-pillar

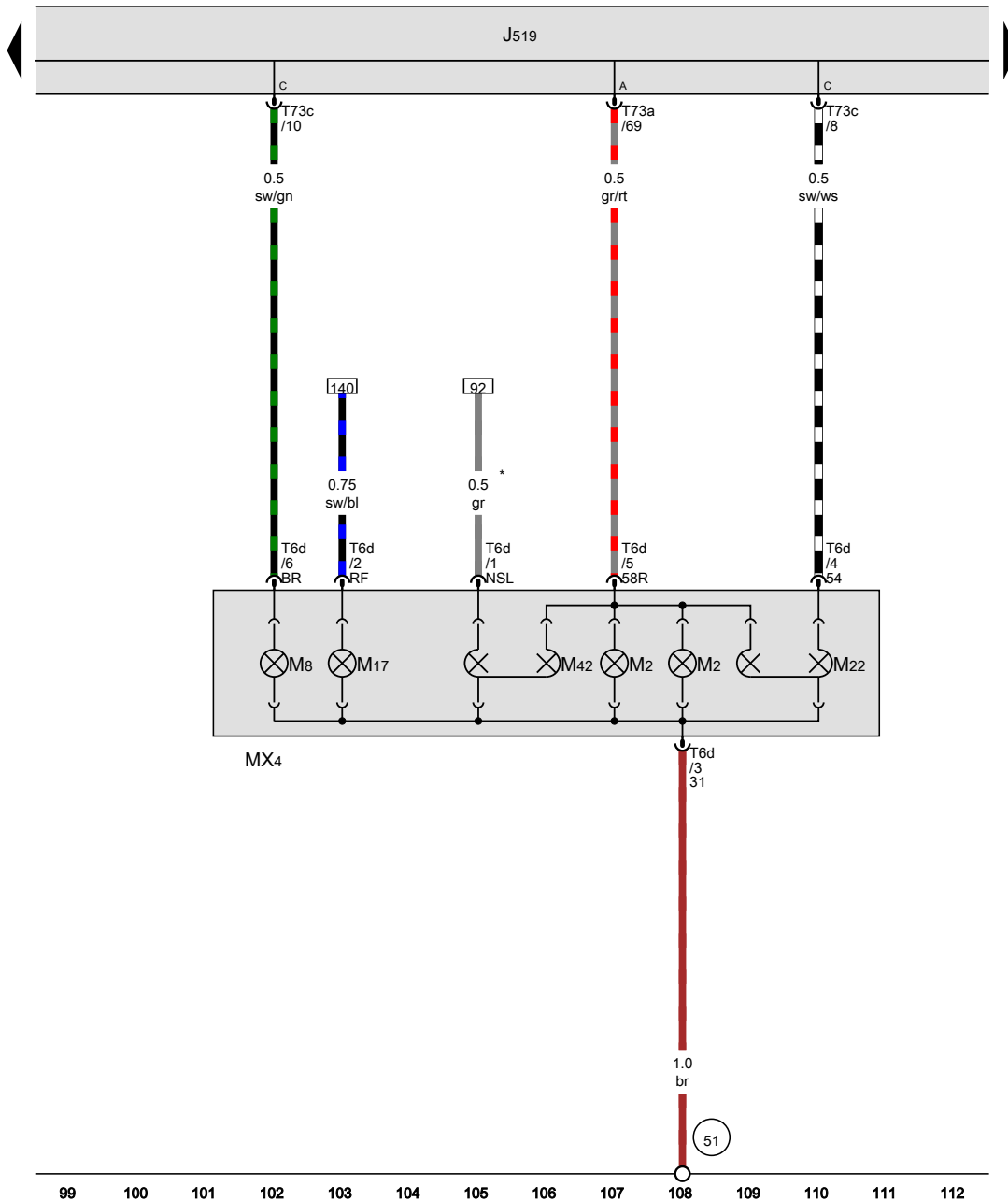
* Only right-hand drive models

*2 Only left-hand drive models



- ws = white
- sw = black
- ro = red
- rt = red
- br = brown
- gn = green
- bl = blue
- gr = grey
- li = purple
- vi = purple
- ge = yellow
- or = orange
- rs = pink

[NH0-083080516]



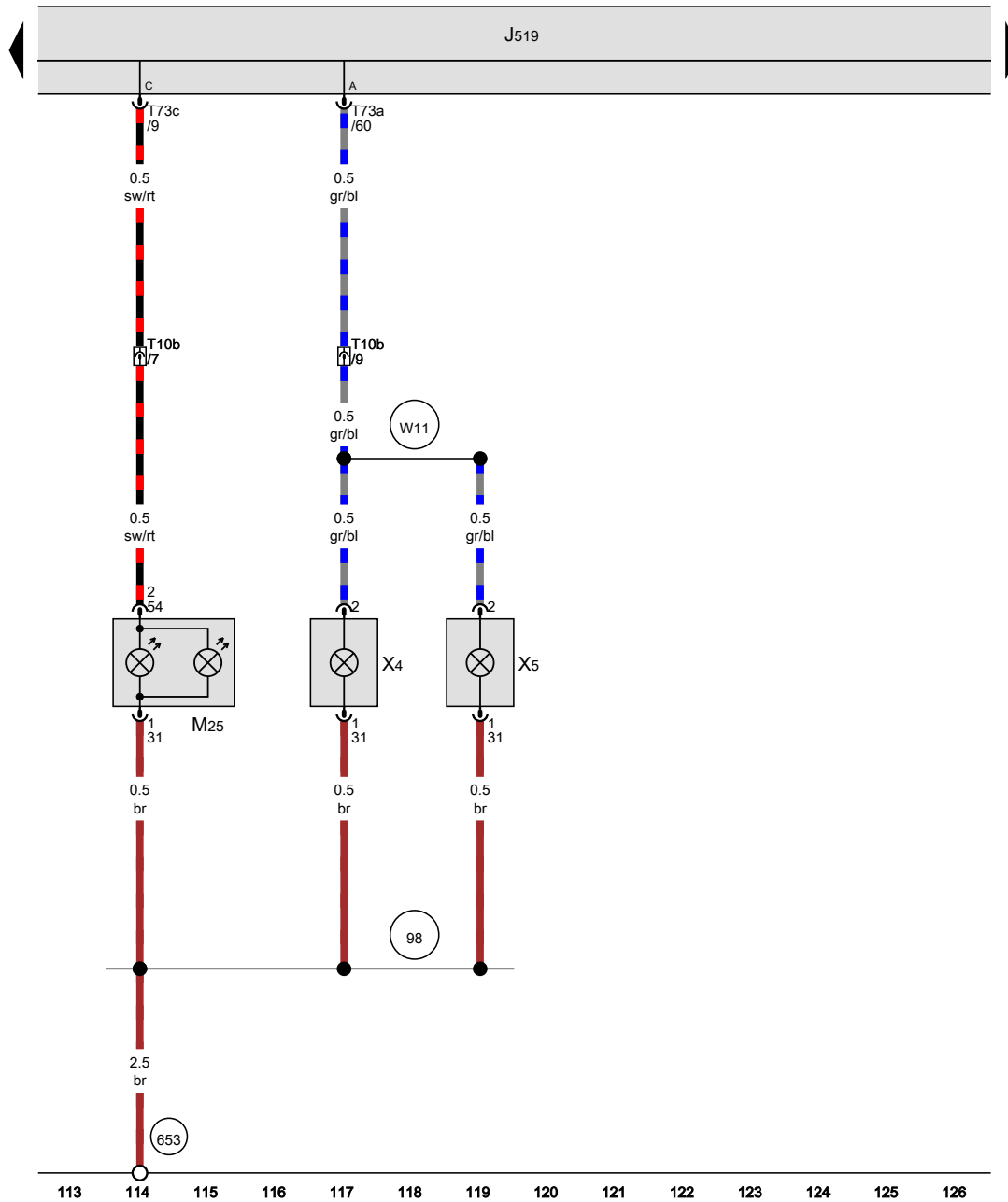
Right tail light

- J519 Onboard supply control unit
- M2 Right tail light bulb
- MX4 Right tail light
- M8 Rear right turn signal bulb
- M17 Right reversing light bulb
- M22 Right brake and tail light bulb
- M42 Right tail light and rear fog light bulb
- T6d 6-pin connector
- T73a 73-pin connector, black
- T73c 73-pin connector, black

51 Earth point, on right in luggage compartment

* Only right-hand drive models

- ws = white
- sw = black
- ro = red
- rt = red
- br = brown
- gn = green
- bl = blue
- gr = grey
- li = purple
- vi = purple
- ge = yellow
- or = orange
- rs = pink



High-level brake light bulb, Left number plate light, Right number plate light

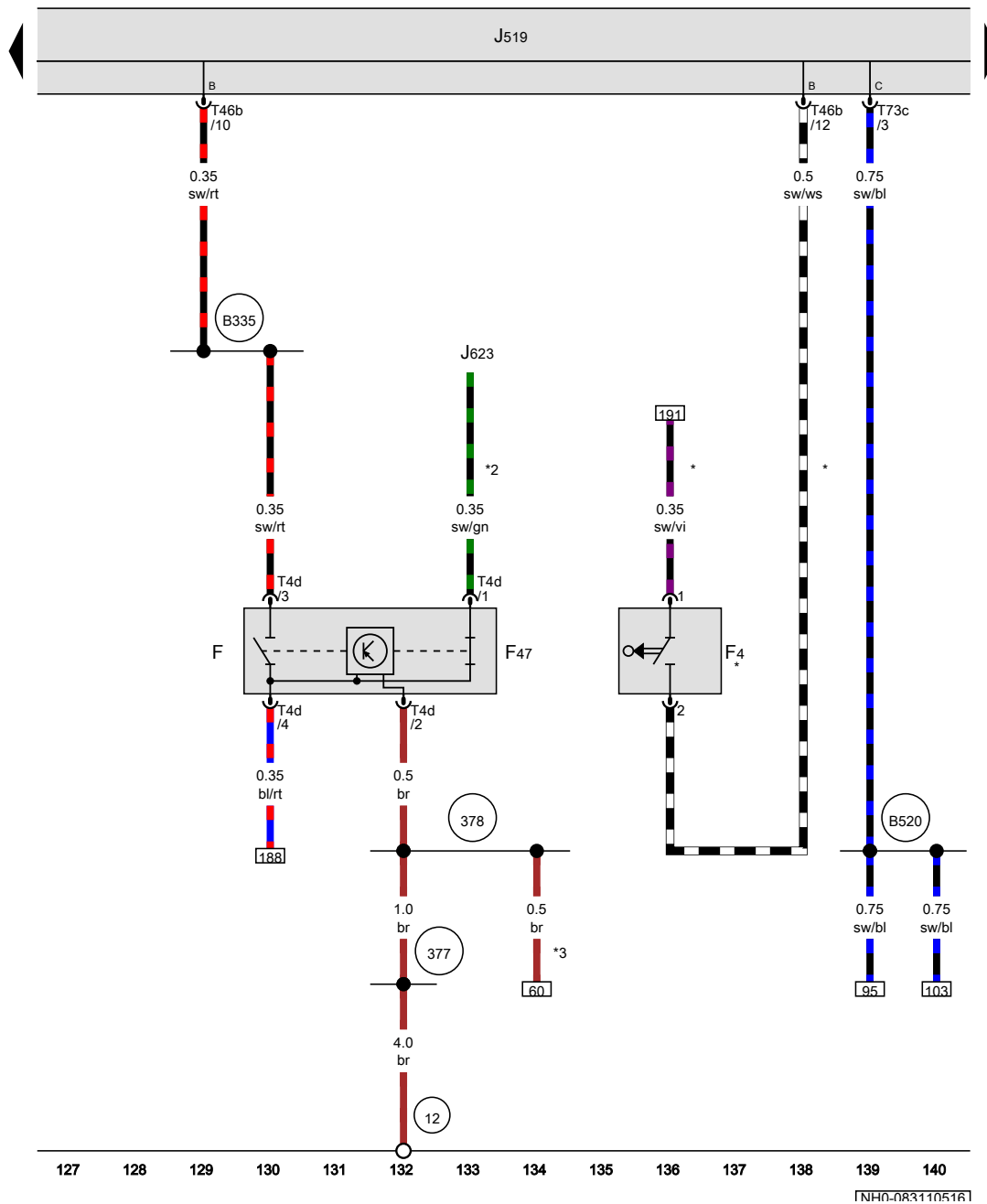
- J519 Onboard supply control unit
- M25 High-level brake light bulb
- T10b 10-pin connector
- T73a 73-pin connector, black
- T73c 73-pin connector, black
- X4 Left number plate light
- X5 Right number plate light

- 98 Earth connection, in rear lid wiring harness
- 653 Earth point, on left D-pillar
- W11 Connection (58), in rear lid wiring harness

- ws = white
- sw = black
- ro = red
- rt = red
- br = brown
- gn = green
- bl = blue
- gr = grey
- li = purple
- vi = purple
- ge = yellow
- or = orange
- rs = pink

[NH0-083100516]

Reversing light switch, Brake pedal switch



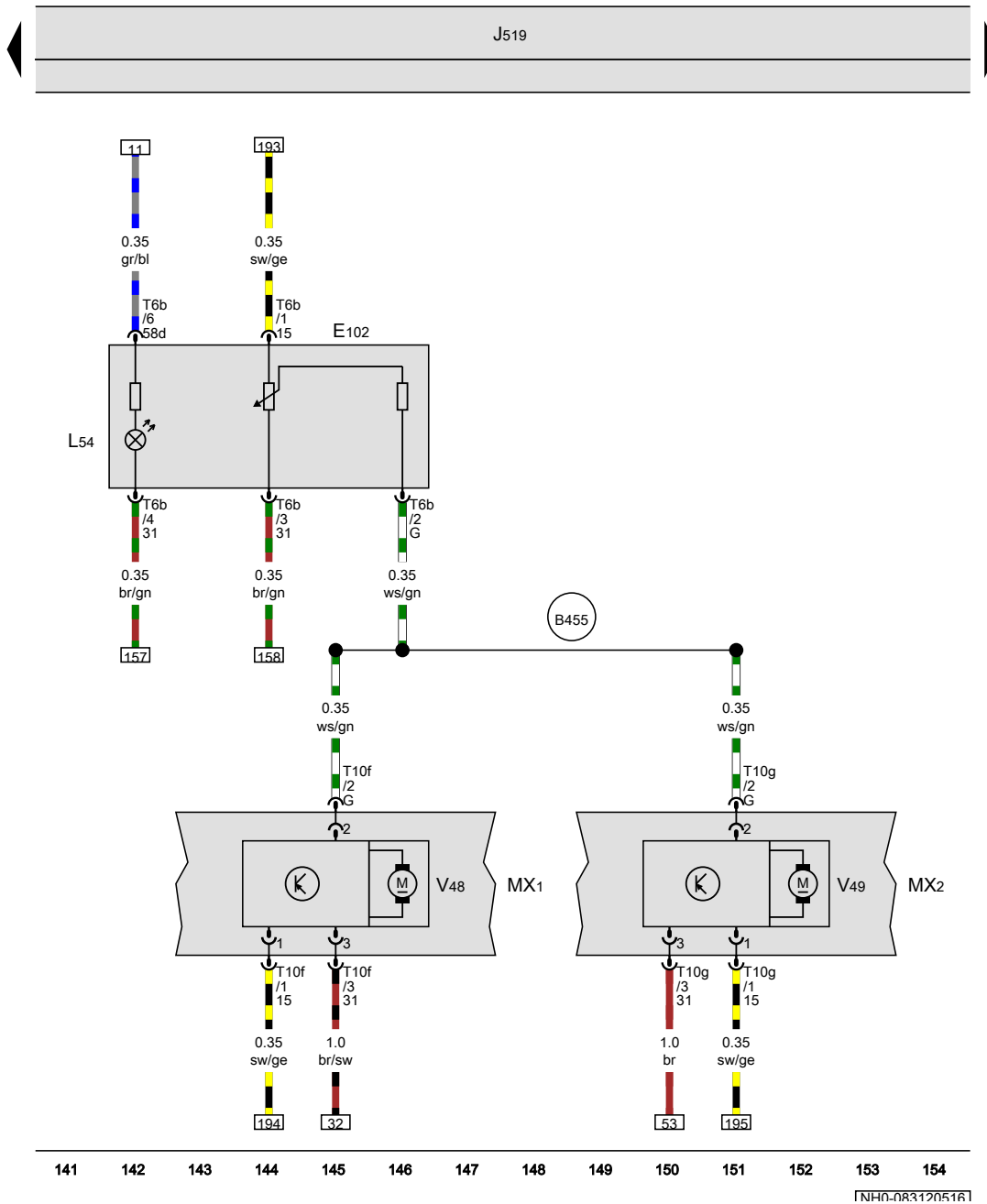
- F Brake light switch
- F4 Reversing light switch
- F47 Brake pedal switch
- J519 Onboard supply control unit
- J623 Engine control unit
- T4d 4-pin connector
- T46b 46-pin connector, brown
- T73c 73-pin connector, black
- 12 Earth point, on left in engine compartment
- 377 Earth connection 12, in main wiring harness
- 378 Earth connection 13, in main wiring harness
- B335 Connection 1 (54), in main wiring harness
- B520 Connection (RL), in main wiring harness
- * Only models with manual gearbox
- *2 see applicable current flow diagram for engine
- *3 Only models with equipment for Russia

ws = white
 sw = black
 ro = red
 rt = red
 br = brown
 gn = green
 bl = blue
 gr = grey
 li = purple
 vi = purple
 ge = yellow
 or = orange
 rs = pink

[NH0-083110516]

Headlight range control regulator, Left headlight range control motor, Right headlight range control motor

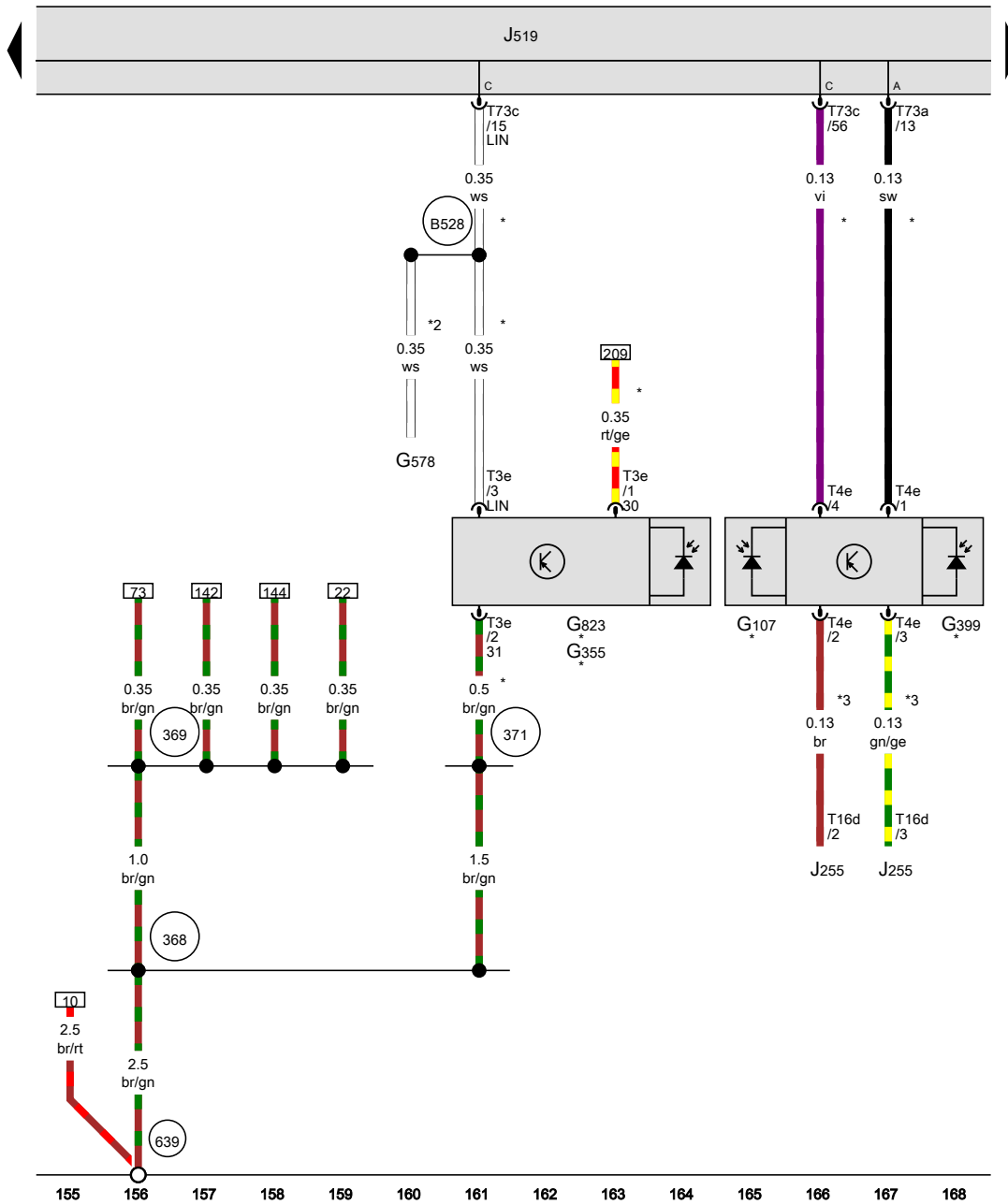
- E102 Headlight range control regulator
- J519 Onboard supply control unit
- L54 Headlight range control regulator illumination bulb
- MX1 Front left headlight
- MX2 Front right headlight
- T6b 6-pin connector
- T10f 10-pin connector
- T10g 10-pin connector
- V48 Left headlight range control motor
- V49 Right headlight range control motor
- B455 Connection (HRC), in main wiring harness



- ws = white
- sw = black
- ro = red
- rt = red
- br = brown
- gn = green
- bl = blue
- gr = grey
- li = purple
- vi = purple
- ge = yellow
- or = orange
- rs = pink

[NH0-083120516]

Sunlight penetration photosensor, Humidity sender, Light sensor, Air humidity, rain and light sensor



- G107 Sunlight penetration photosensor
- G355 Humidity sender
- G399 Light sensor
- G578 Anti-theft alarm sensor
- G823 Air humidity, rain and light sensor
- J255 Climatronic control unit
- J519 Onboard supply control unit
- T3e 3-pin connector
- T4e 4-pin connector
- T16d 16-pin connector
- T73a 73-pin connector, black
- T73c 73-pin connector, black

- 368 Earth connection 3, in main wiring harness
- 369 Earth connection 4, in main wiring harness
- 371 Earth connection 6, in main wiring harness
- 639 Earth point, left A-pillar
- B528 Connection 1 (LIN bus) in main wiring harness

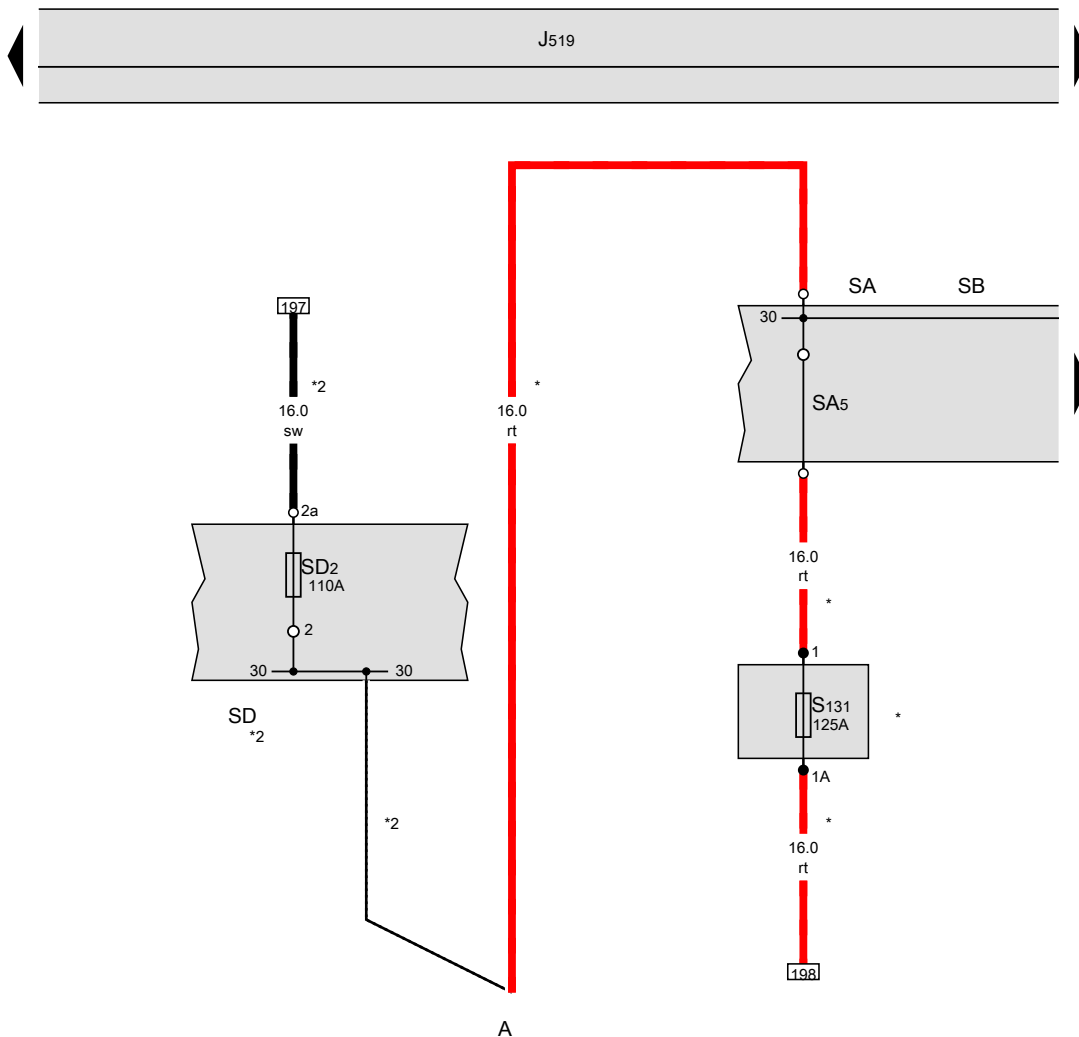
- * According to equipment
- *2 For models with anti-theft alarm system
- *3 Only models with Climatronic

- ws = white
- sw = black
- ro = red
- rt = red
- br = brown
- gn = green
- bl = blue
- gr = grey
- li = purple
- vi = purple
- ge = yellow
- or = orange
- rs = pink

[NH0-083130516]

Battery, Fuse holder A, Fuse holder B, Fuse holder D

- A Battery
- J519 Onboard supply control unit
- SD2 Fuse 2 on fuse holder D
- SA5 Fuse 5 in fuse holder A
- S131 Fuse 1, in main wiring harness
- SA Fuse holder A
- SB Fuse holder B
- SD Fuse holder D
- * Only models with battery in engine compartment
- *2 Only models with battery in luggage compartment



169 170 171 172 173 174 175 176 177 178 179 180 181 182

[NH0-083140516]

Fuse holder B, Fuse holder C

- J271 Main relay
- J329 Terminal 15 voltage supply relay
- J519 Onboard supply control unit
- SB Fuse holder B
- SB13 Fuse 13 on fuse holder B
- SC Fuse holder C
- SC30 Fuse 30 on fuse holder C
- SC32 Fuse 32 on fuse holder C

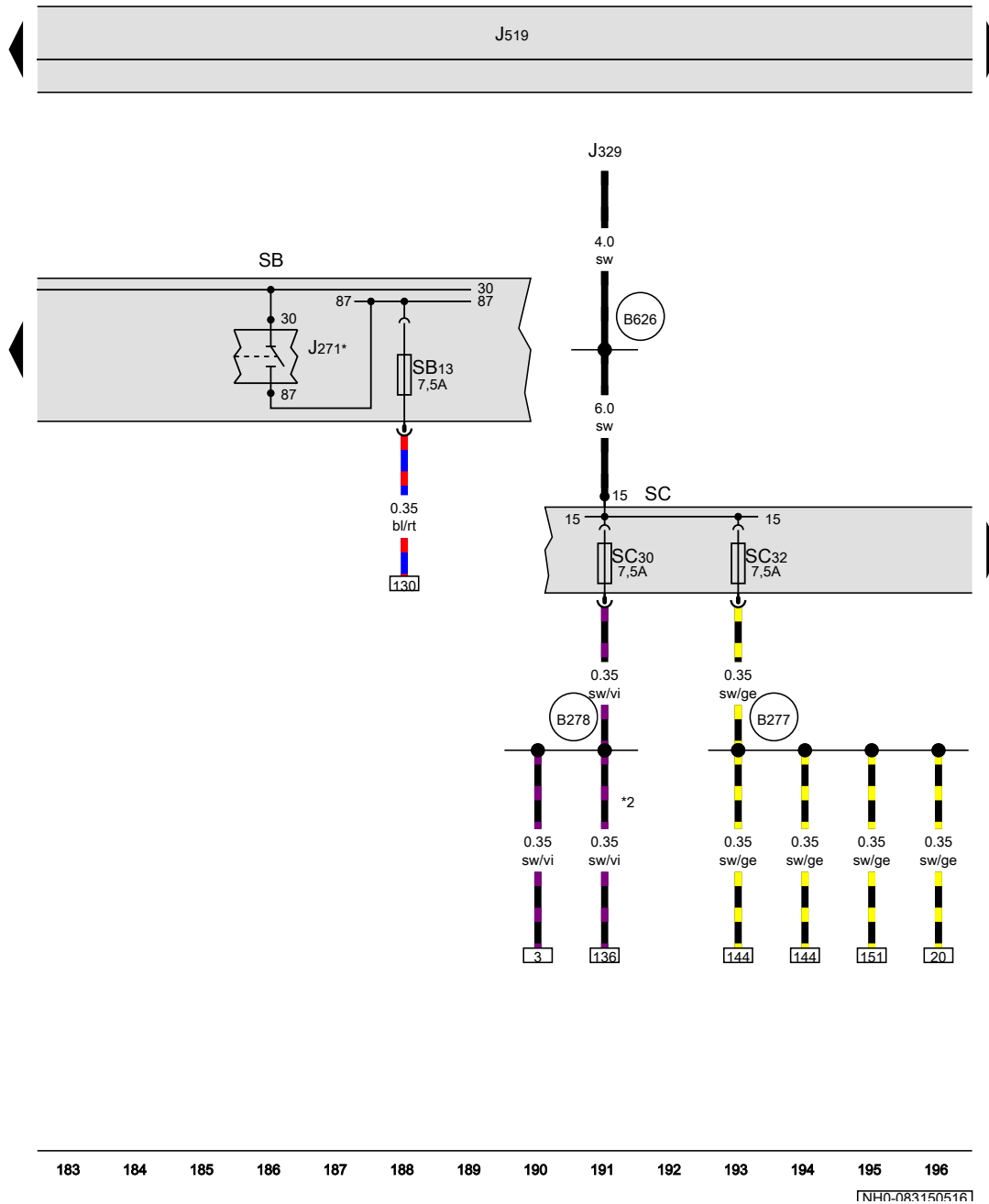
B277 Positive connection 1 (15a) in main wiring harness

B278 Positive connection 2 (15a) in main wiring harness

B626 Positive connection 2 (15), in main wiring harness

* see applicable current flow diagram for engine

*2 Only models with manual gearbox



- ws = white
- sw = black
- ro = red
- rt = red
- br = brown
- gn = green
- bl = blue
- gr = grey
- li = purple
- vi = purple
- ge = yellow
- or = orange
- rs = pink

183 184 185 186 187 188 189 190 191 192 193 194 195 196

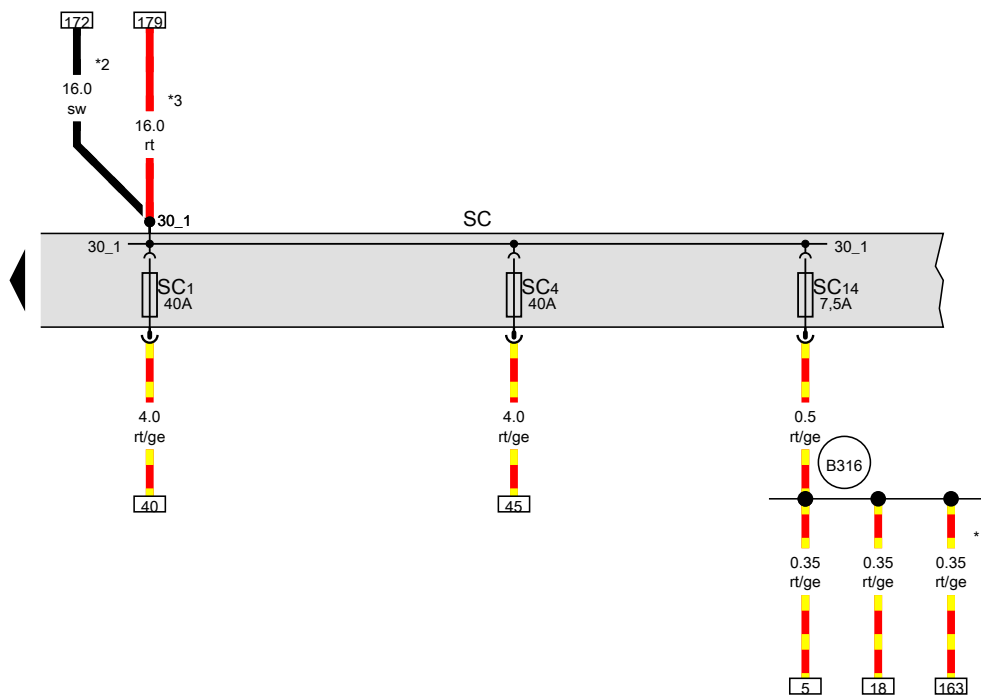
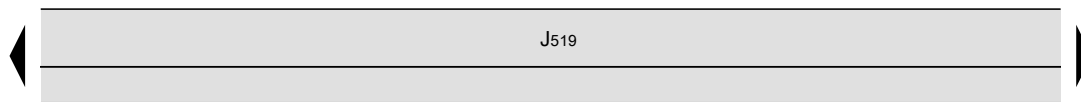
[NH0-083150516]

Fuse holder C

- J519 Onboard supply control unit
- SC Fuse holder C
- SC1 Fuse 1 on fuse holder C
- SC4 Fuse 4 on fuse holder C
- SC14 Fuse 14 on fuse holder C

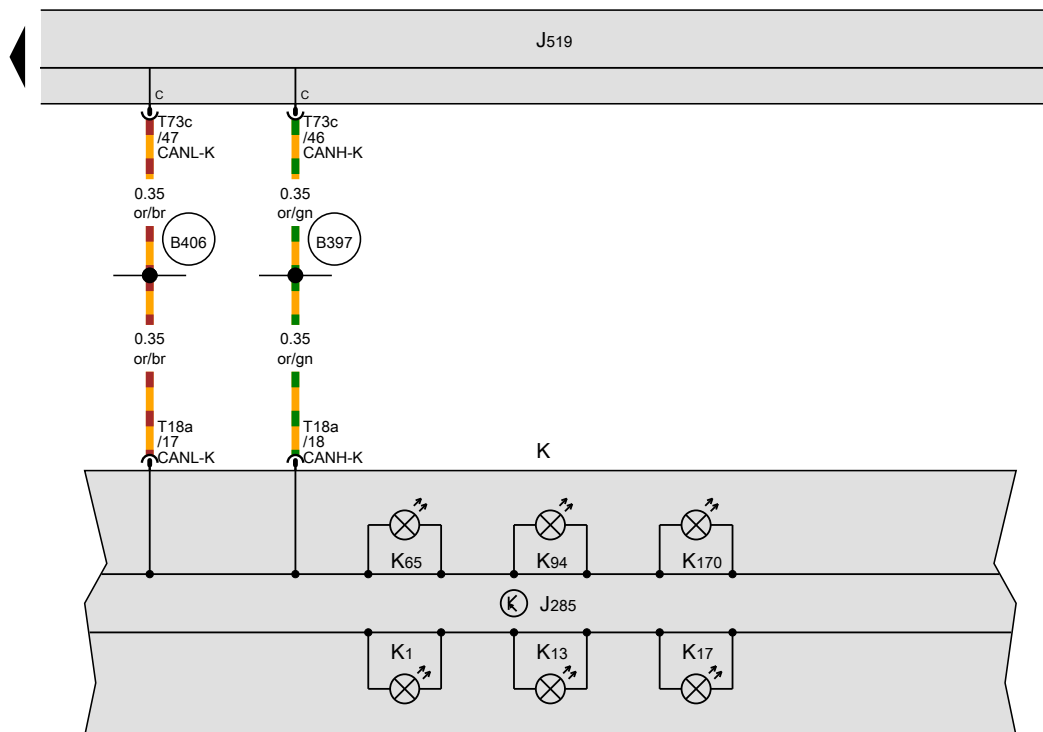
B316 Positive connection 2 (30a) in main wiring harness

- * According to equipment
- *2 Only models with battery in luggage compartment
- *3 Only models with battery in engine compartment



197 198 199 200 201 202 203 204 205 206 207 208 209 210

[NH0-083160516]



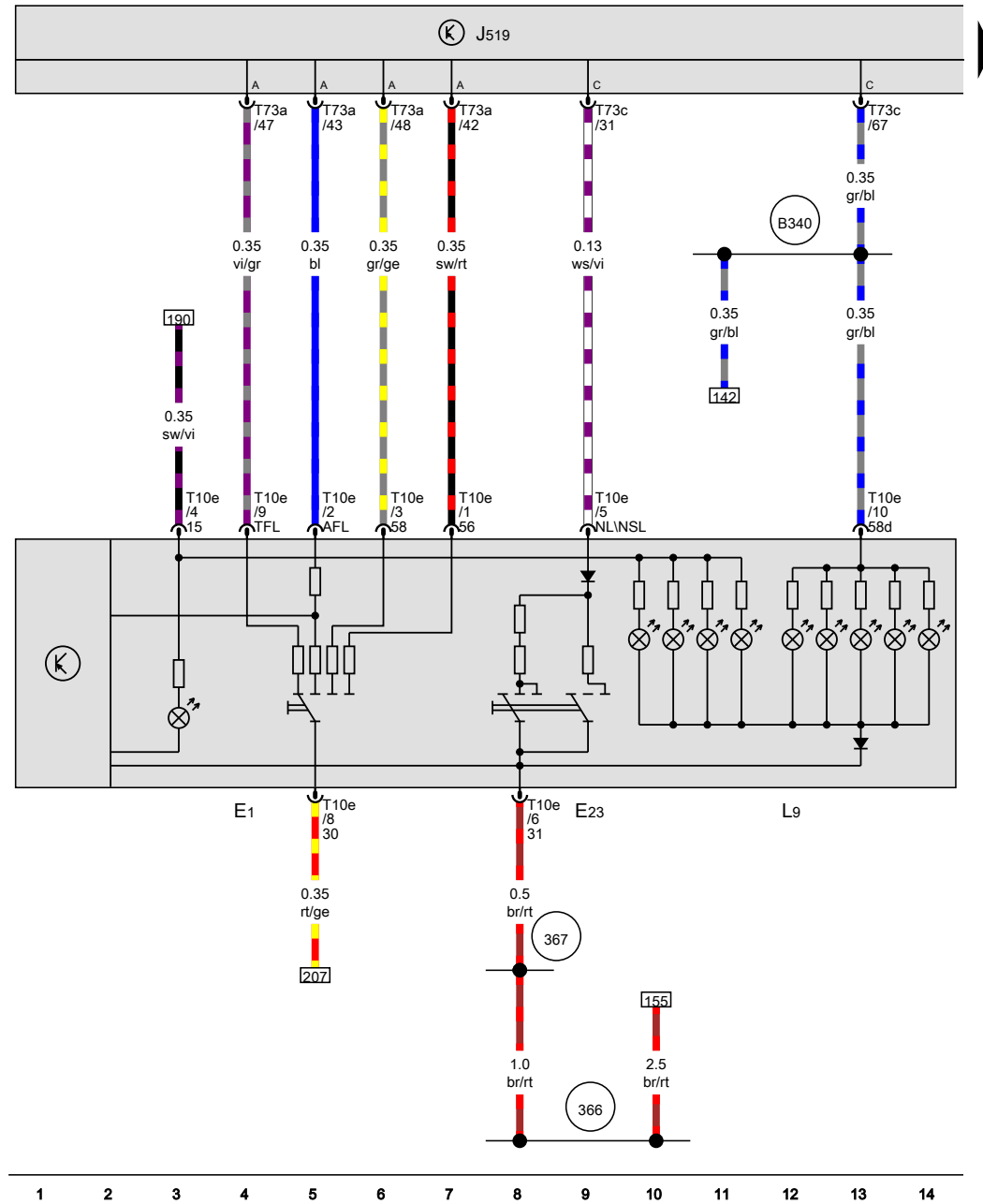
Dash panel insert

- J285 Control unit in dash panel insert
- J519 Onboard supply control unit
- K Dash panel insert
- K1 Main beam warning lamp
- K13 Rear fog light warning lamp
- K17 Fog light warning lamp
- K65 Left turn signal warning lamp
- K94 Right turn signal warning lamp
- K170 Bulb failure warning lamp
- T18a 18-pin connector
- T73c 73-pin connector, black
- B397 Connection 1 (convenience CAN bus, high), in main wiring harness
- B406 Connection 1 (convenience CAN bus, low), in main wiring harness

- ws = white
- sw = black
- ro = red
- rt = red
- br = brown
- gn = green
- bl = blue
- gr = grey
- li = purple
- vi = purple
- ge = yellow
- or = orange
- rs = pink

Exterior lighting , (K8R),(L0R)

From November 2015



Light switch

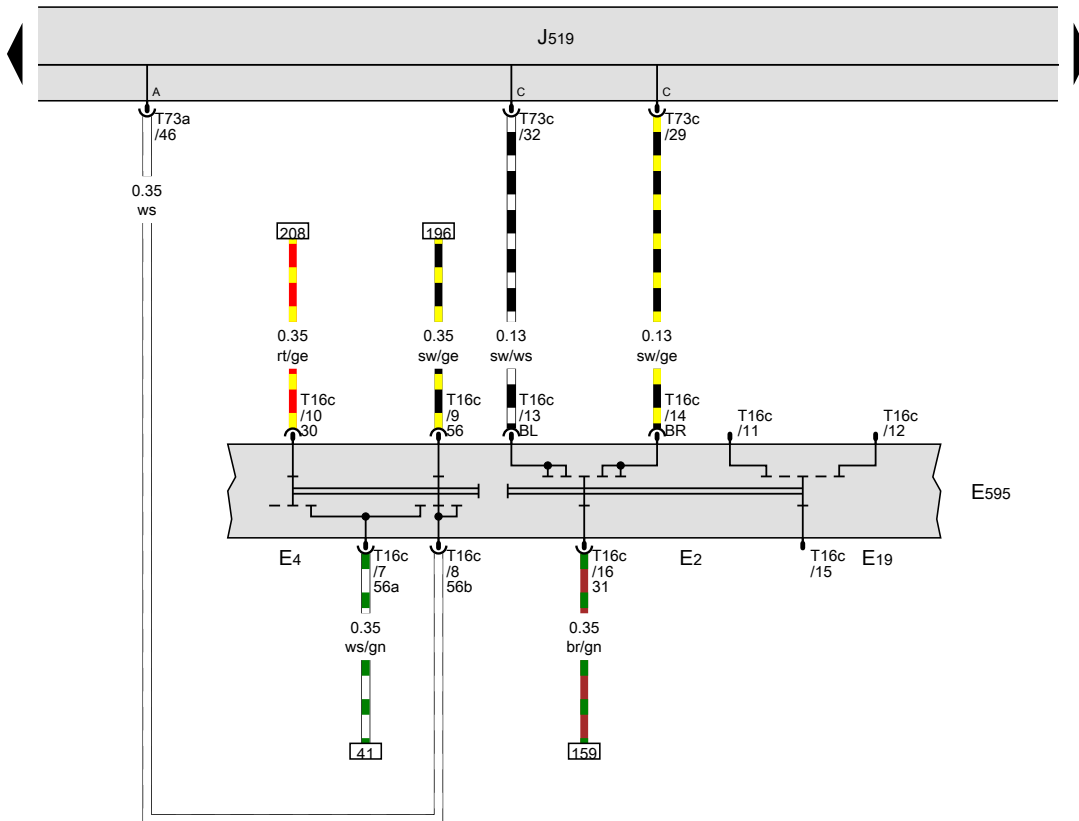
- E1 Light switch
- E23 Front and rear fog light switch
- J519 Onboard supply control unit
- L9 Light switch illumination bulb
- T10e 10-pin connector
- T73a 73-pin connector, black
- T73c 73-pin connector, black
- 366 Earth connection 1, in main wiring harness
- 367 Earth connection 2, in main wiring harness
- B340 Connection 1 (58d), in main wiring harness

- ws = white
- sw = black
- ro = red
- rt = red
- br = brown
- gn = green
- bl = blue
- gr = grey
- li = purple
- vi = purple
- ge = yellow
- or = orange
- rs = pink

[NH0-084020516]

Turn signal switch, Headlight dipper and flasher switch, Parking light switch, Steering column combination switch

- E2 Turn signal switch
- E4 Headlight dipper and flasher switch
- E19 Parking light switch
- E595 Steering column combination switch
- J519 Onboard supply control unit
- T16c 16-pin connector
- T73a 73-pin connector, black
- T73c 73-pin connector, black



- ws = white
- sw = black
- ro = red
- rt = red
- br = brown
- gn = green
- bl = blue
- gr = grey
- li = purple
- vi = purple
- ge = yellow
- or = orange
- rs = pink

15 16 17 18 19 20 21 22 23 24 25 26 27 28

[NH0-084030516]

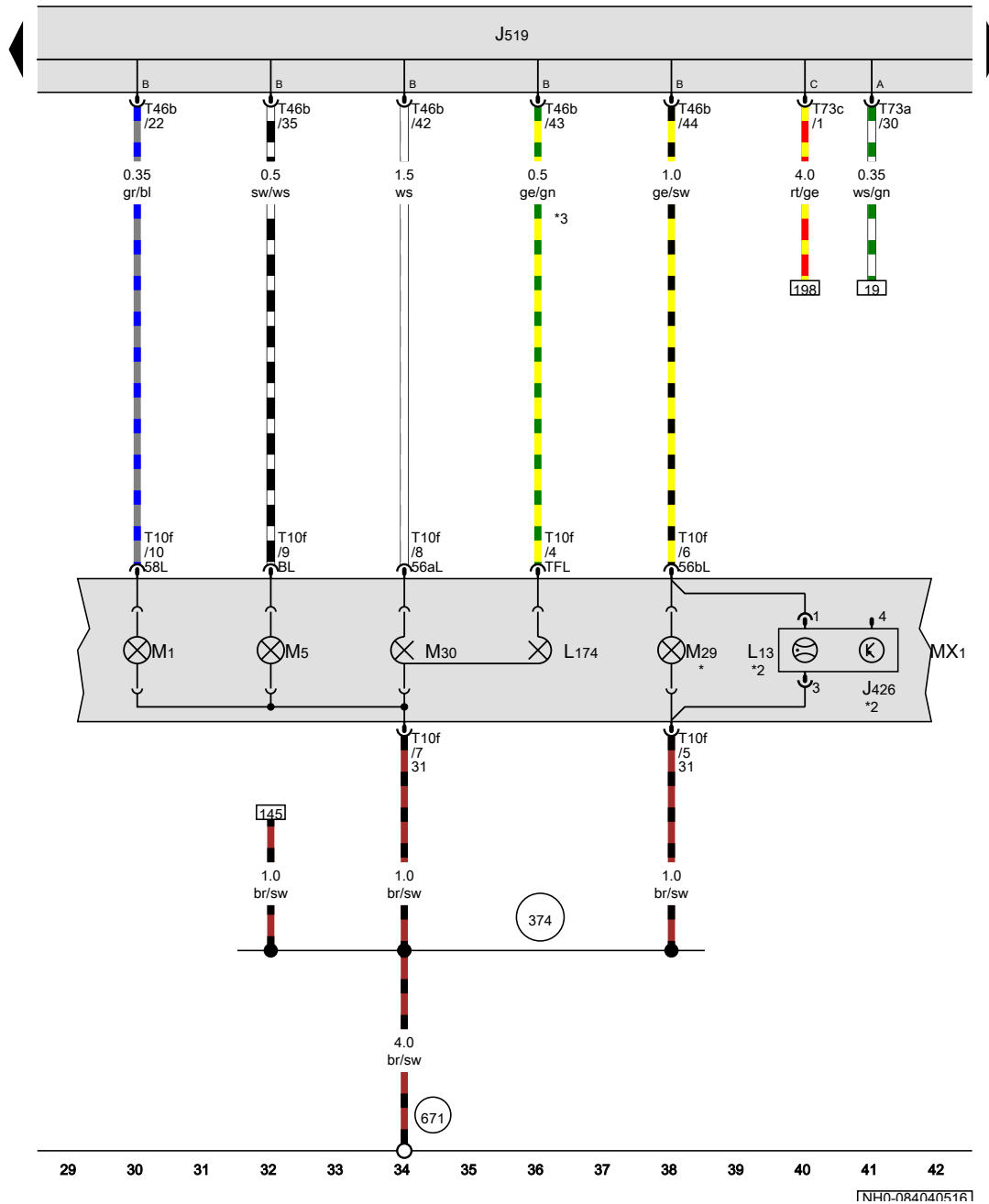
Front left headlight

- J426 Left headlight starter for gas discharge light
- J519 Onboard supply control unit
- L13 Left gas discharge (xenon) bulb
- L174 Left daytime running light bulb
- MX1 Front left headlight
- M1 Left side light bulb
- M5 Front left turn signal bulb
- M29 Left headlight dipped beam bulb
- M30 Left headlight main beam bulb
- T10f 10-pin connector
- T46b 46-pin connector, brown
- T73a 73-pin connector, black
- T73c 73-pin connector, black

374 Earth connection 9, in main wiring harness

671 Earth point 1, on front of left longitudinal member

- * Only models with halogen headlights
- *2 Only models with xenon headlights
- *3 Only models with daytime running lights



- ws = white
- sw = black
- ro = red
- rt = red
- br = brown
- gn = green
- bl = blue
- gr = grey
- li = purple
- vi = purple
- ge = yellow
- or = orange
- rs = pink

1NH0-084040516

Front right headlight

- J427 Right headlight starter for gas discharge light
- J519 Onboard supply control unit
- L14 Right gas discharge (xenon) bulb
- L175 Right daytime running light bulb
- MX2 Front right headlight
- M3 Right side light bulb
- M7 Front right turn signal bulb
- M31 Right headlight dipped beam bulb
- M32 Right headlight main beam bulb
- T10g 10-pin connector
- T46b 46-pin connector, brown
- T73a 73-pin connector, black

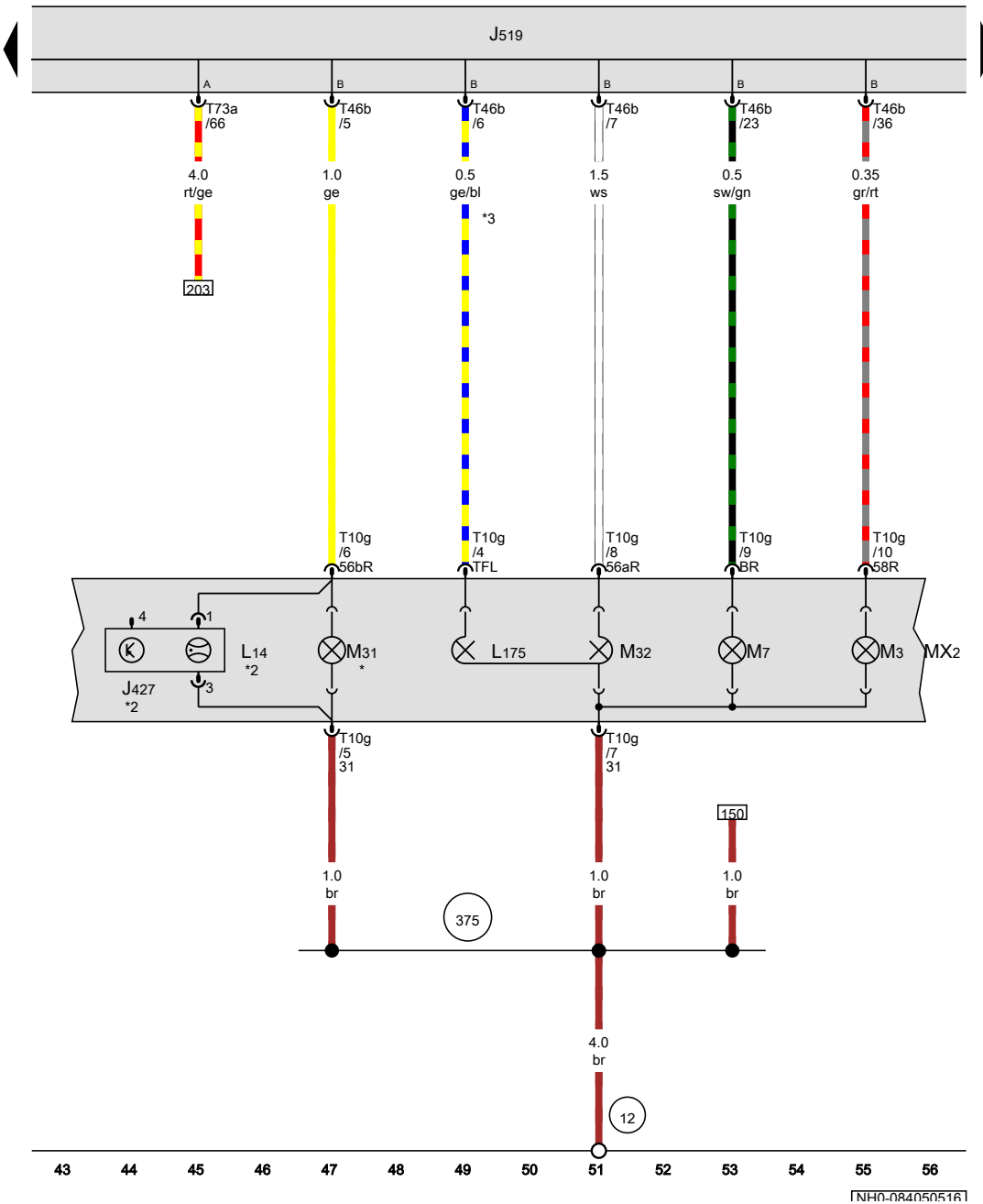
12 Earth point, on left in engine compartment

375 Earth connection 10, in main wiring harness

* Only models with halogen headlights

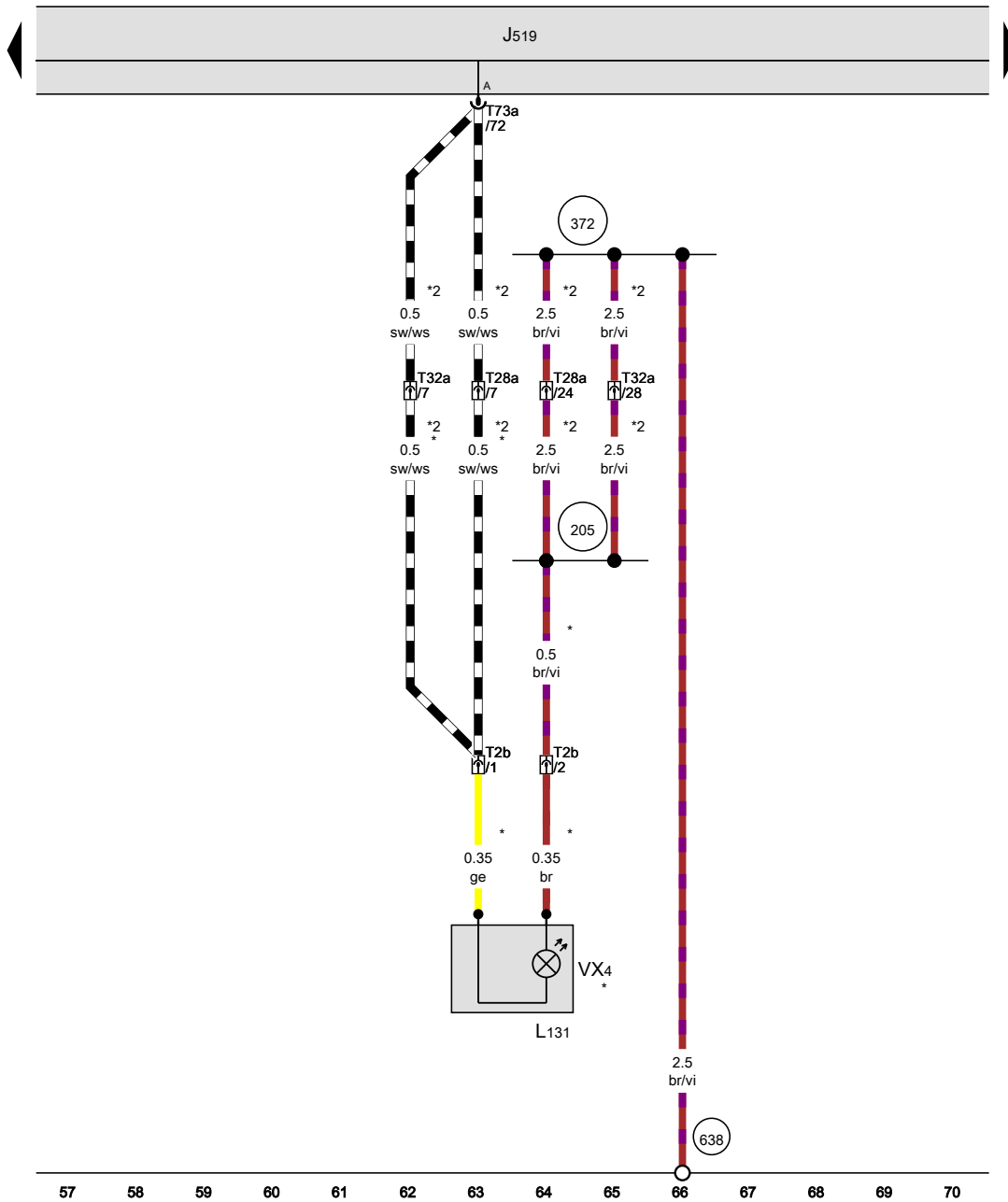
*2 Only models with xenon headlights

*3 Only models with daytime running lights



- ws = white
- sw = black
- ro = red
- rt = red
- br = brown
- gn = green
- bl = blue
- gr = grey
- li = purple
- vi = purple
- ge = yellow
- or = orange
- rs = pink

[NH0-084050516]



Driver side exterior mirror

- J519 Onboard supply control unit
- L131 Driver side turn signal repeater bulb
- T2b 2-pin connector
- T28a 28-pin connector, on right A-pillar
- T32a 32-pin connector, on right A-pillar
- T73a 73-pin connector, black
- VX4 Driver side exterior mirror

205 Earth connection, in driver door wiring harness

372 Earth connection 7, in main wiring harness

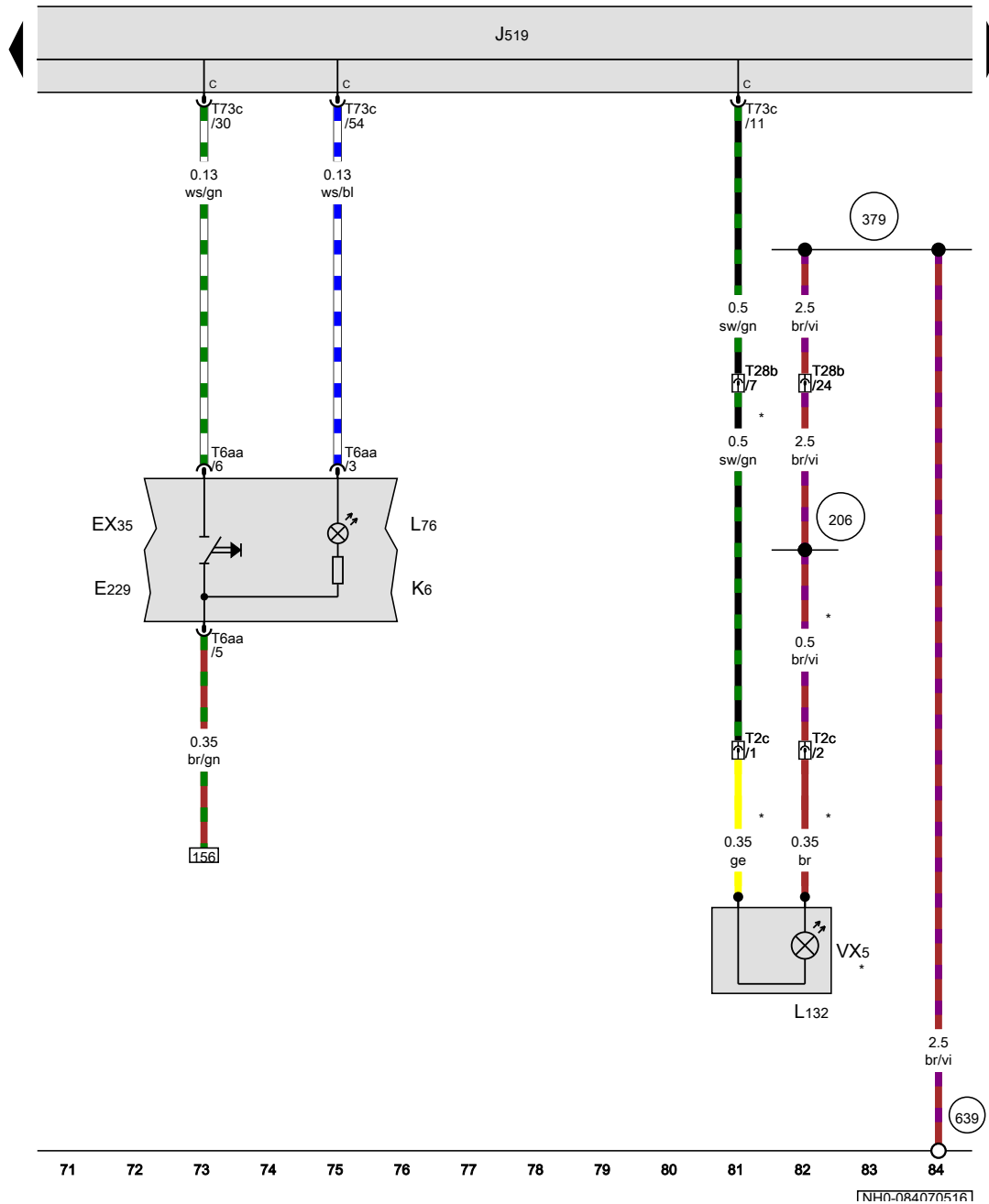
638 Earth point, on right A-pillar

* Only models with no electrically adjustable exterior mirrors

*2 According to equipment

- ws = white
- sw = black
- ro = red
- rt = red
- br = brown
- gn = green
- bl = blue
- gr = grey
- li = purple
- vi = purple
- ge = yellow
- or = orange
- rs = pink

1NH0-084060516



Centre switch module 2 in dash panel, Hazard warning lights button, Front passenger side exterior mirror

- EX35 Centre switch module 2 in dash panel
- E229 Hazard warning lights button
- J519 Onboard supply control unit
- K6 Indicator lamp for hazard warning light
- L76 Button illumination bulb
- L132 Front passenger side turn signal repeater bulb
- T2c 2-pin connector
- T6aa 6-pin connector
- T28b 28-pin connector, on left A-pillar
- T73c 73-pin connector, black
- VX5 Front passenger side exterior mirror
- 206 Earth connection, in front passenger door wiring harness
- 379 Earth connection 14, in main wiring harness
- 639 Earth point, left A-pillar
- * Only models with no electrically adjustable exterior mirrors

- ws = white
- sw = black
- ro = red
- rt = red
- br = brown
- gn = green
- bl = blue
- gr = grey
- li = purple
- vi = purple
- ge = yellow
- or = orange
- rs = pink

[NH0-084070516]

Left tail light

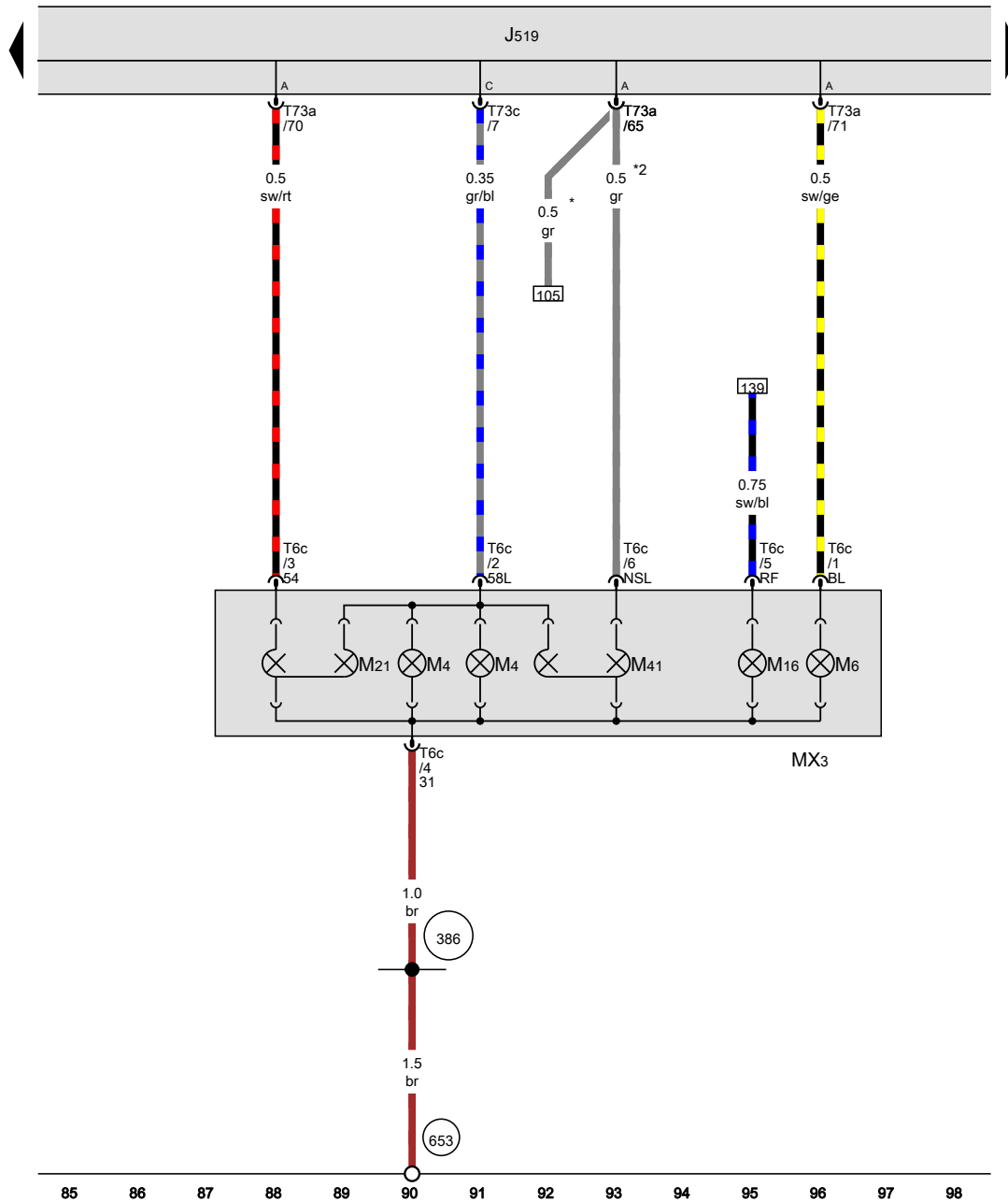
- J519 Onboard supply control unit
- MX3 Left tail light
- M4 Left tail light bulb
- M6 Rear left turn signal bulb
- M16 Left reversing light bulb
- M21 Left brake and tail light bulb
- M41 Left tail light and rear fog light bulb
- T6c 6-pin connector
- T73a 73-pin connector, black
- T73c 73-pin connector, black

386 Earth connection 21, in main wiring harness

653 Earth point, on left D-pillar

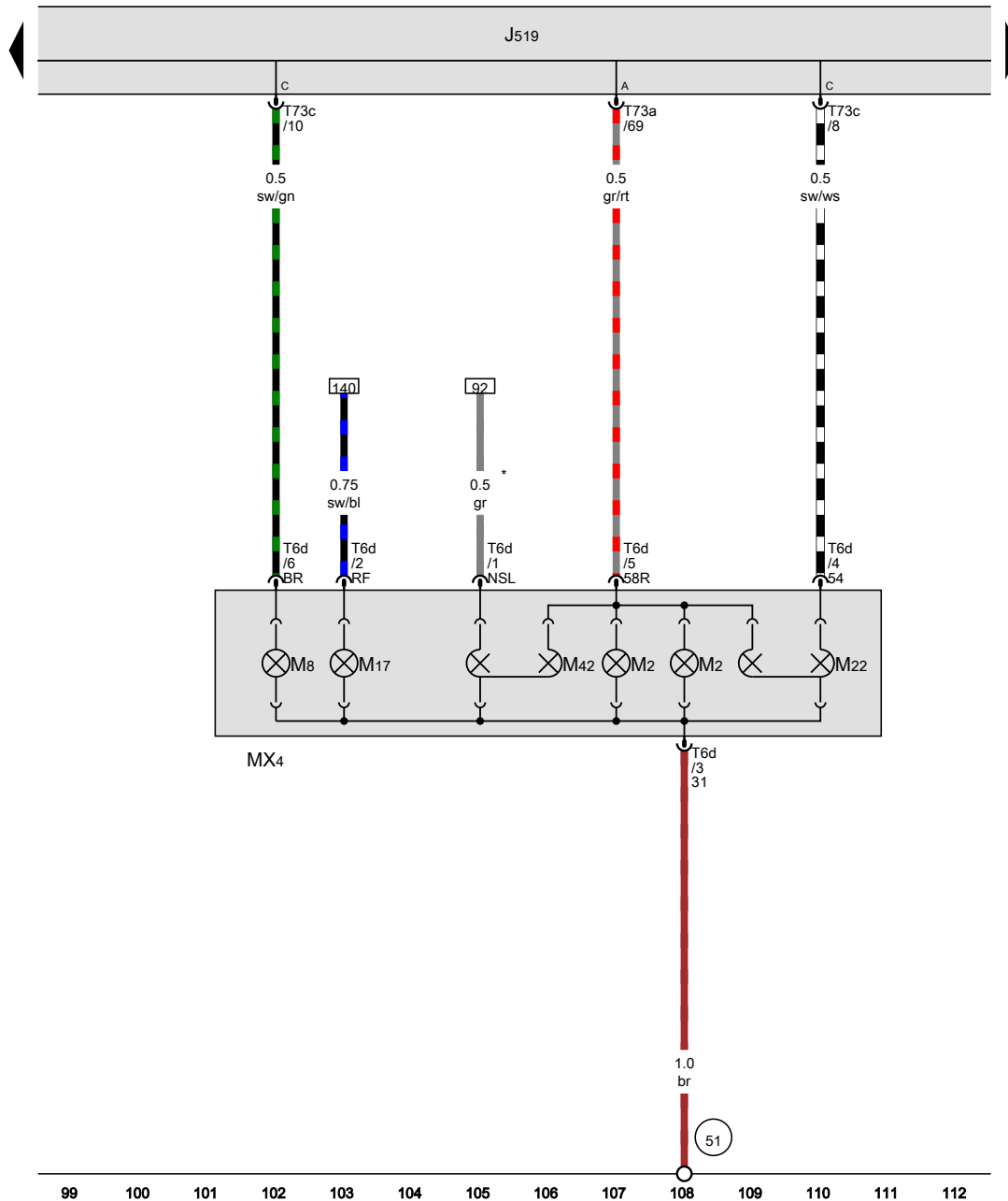
* Only right-hand drive models

*2 Only left-hand drive models



- ws = white
- sw = black
- ro = red
- rt = red
- br = brown
- gn = green
- bl = blue
- gr = grey
- li = purple
- vi = purple
- ge = yellow
- or = orange
- rs = pink

[NH0-084080516]



Right tail light

- J519 Onboard supply control unit
- M2 Right tail light bulb
- MX4 Right tail light
- M8 Rear right turn signal bulb
- M17 Right reversing light bulb
- M22 Right brake and tail light bulb
- M42 Right tail light and rear fog light bulb
- T6d 6-pin connector
- T73a 73-pin connector, black
- T73c 73-pin connector, black

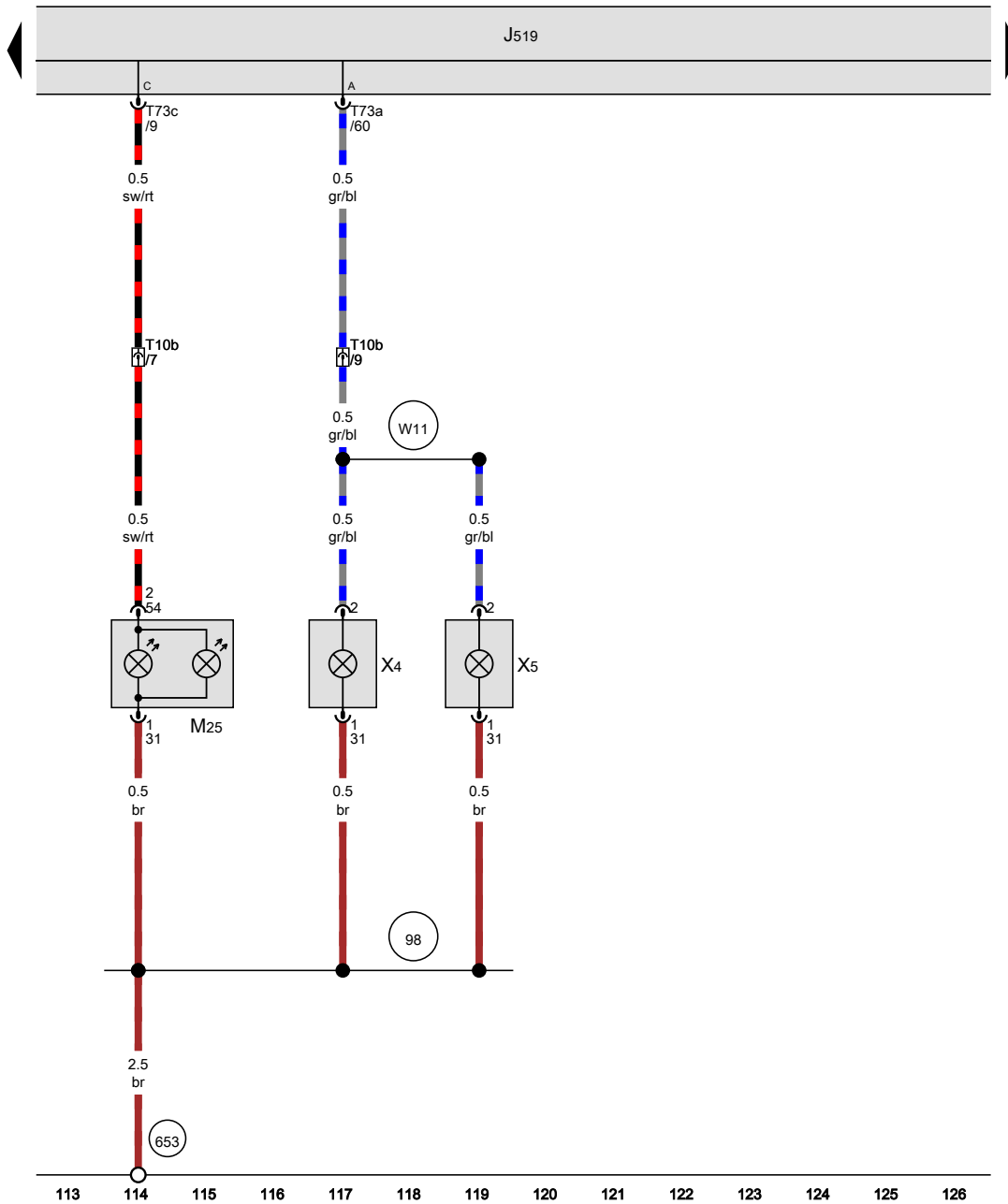
51 Earth point, on right in luggage compartment

* Only right-hand drive models

- ws = white
- sw = black
- ro = red
- rt = red
- br = brown
- gn = green
- bl = blue
- gr = grey
- li = purple
- vi = purple
- ge = yellow
- or = orange
- rs = pink

99 100 101 102 103 104 105 106 107 108 109 110 111 112

1NH0-084090516



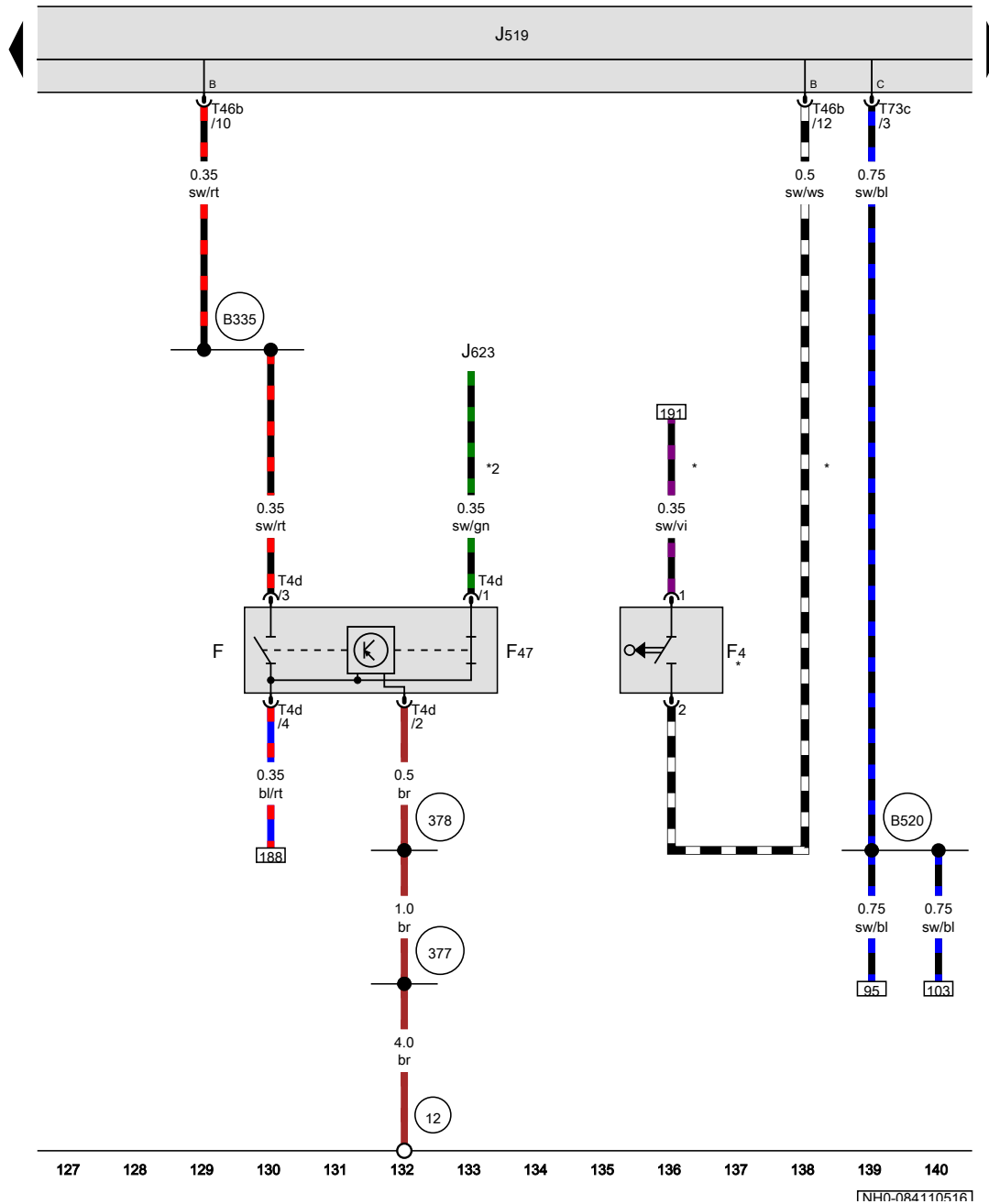
High-level brake light bulb, Left number plate light, Right number plate light

- J519 Onboard supply control unit
- M25 High-level brake light bulb
- T10b 10-pin connector
- T73a 73-pin connector, black
- T73c 73-pin connector, black
- X4 Left number plate light
- X5 Right number plate light
- 98 Earth connection, in rear lid wiring harness
- 653 Earth point, on left D-pillar
- W11 Connection (58), in rear lid wiring harness

- ws = white
- sw = black
- ro = red
- rt = red
- br = brown
- gn = green
- bl = blue
- gr = grey
- li = purple
- vi = purple
- ge = yellow
- or = orange
- rs = pink

[NH0-084100516]

Reversing light switch, Brake pedal switch



- F Brake light switch
- F4 Reversing light switch
- F47 Brake pedal switch
- J519 Onboard supply control unit
- J623 Engine control unit
- T4d 4-pin connector
- T46b 46-pin connector, brown
- T73c 73-pin connector, black

- 12 Earth point, on left in engine compartment
- 377 Earth connection 12, in main wiring harness
- 378 Earth connection 13, in main wiring harness
- B335 Connection 1 (54), in main wiring harness
- B520 Connection (RL), in main wiring harness
- * Only models with manual gearbox
- *2 see applicable current flow diagram for engine

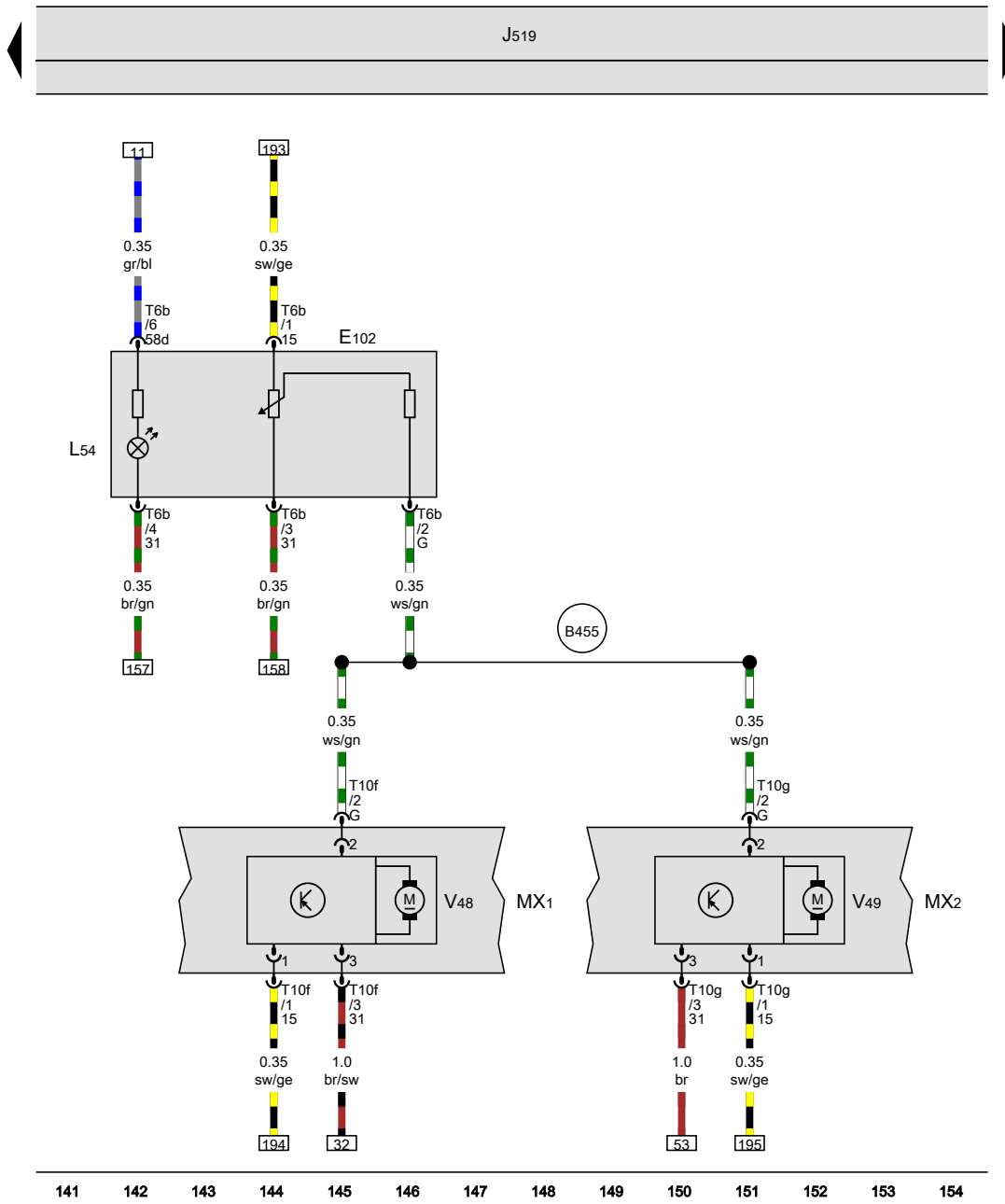
- ws = white
- sw = black
- ro = red
- rt = red
- br = brown
- gn = green
- bl = blue
- gr = grey
- li = purple
- vi = purple
- ge = yellow
- or = orange
- rs = pink

[NH0-084110516]

Headlight range control regulator, Left headlight range control motor, Right headlight range control motor

- E102 Headlight range control regulator
- J519 Onboard supply control unit
- L54 Headlight range control regulator illumination bulb
- MX1 Front left headlight
- MX2 Front right headlight
- T6b 6-pin connector
- T10f 10-pin connector
- T10g 10-pin connector
- V48 Left headlight range control motor
- V49 Right headlight range control motor

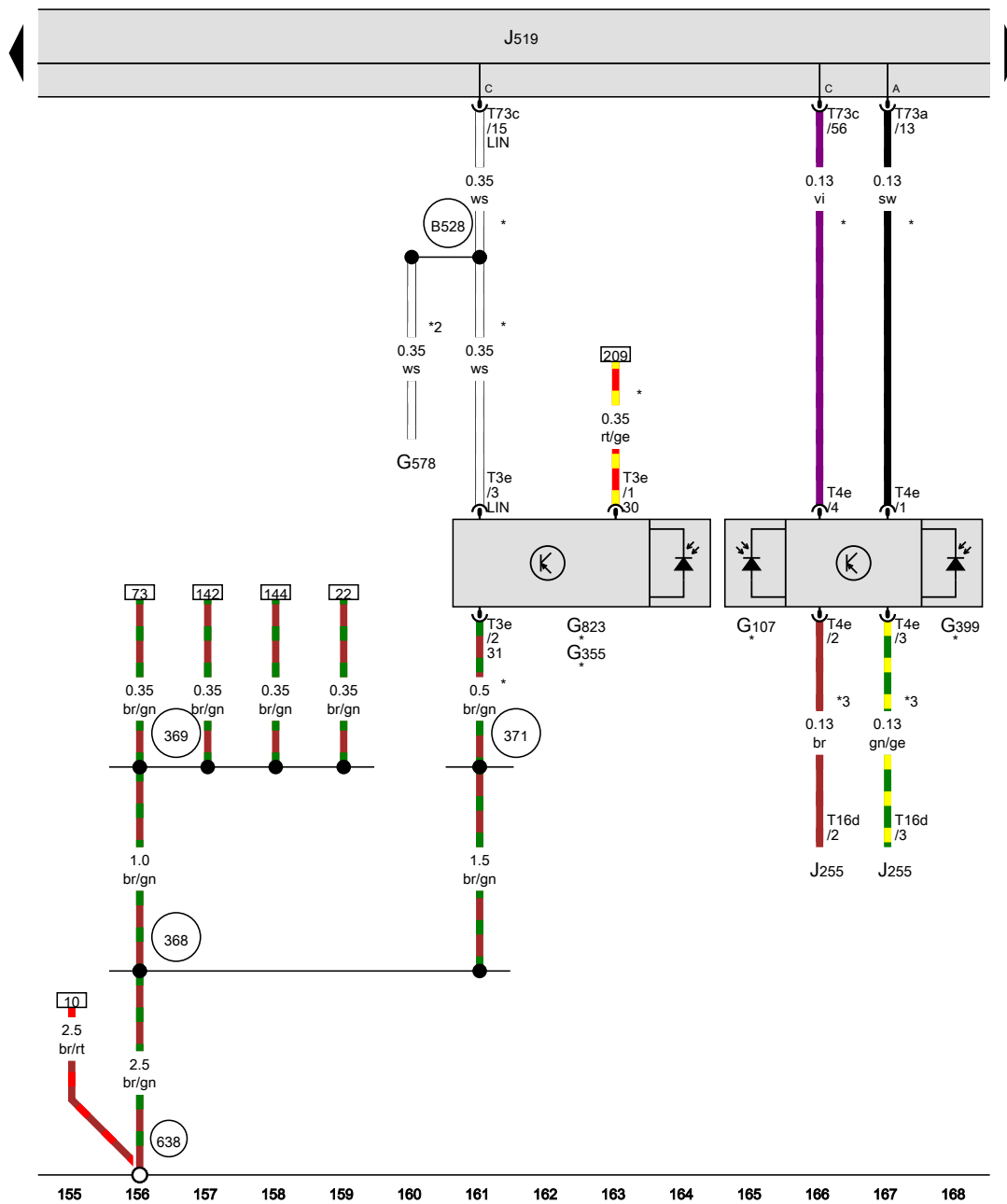
B455 Connection (HRC), in main wiring harness



- ws = white
- sw = black
- ro = red
- rt = red
- br = brown
- gn = green
- bl = blue
- gr = grey
- li = purple
- vi = purple
- ge = yellow
- or = orange
- rs = pink

141 142 143 144 145 146 147 148 149 150 151 152 153 154

[NH0-084120516]



Sunlight penetration photosensor, Humidity sender, Light sensor, Air humidity, rain and light sensor

- G107 Sunlight penetration photosensor
- G355 Humidity sender
- G399 Light sensor
- G578 Anti-theft alarm sensor
- G823 Air humidity, rain and light sensor
- J255 Climatronic control unit
- J519 Onboard supply control unit
- T3e 3-pin connector
- T4e 4-pin connector
- T16d 16-pin connector
- T73a 73-pin connector, black
- T73c 73-pin connector, black

- 368 Earth connection 3, in main wiring harness
- 369 Earth connection 4, in main wiring harness
- 371 Earth connection 6, in main wiring harness
- 638 Earth point, on right A-pillar
- B528 Connection 1 (LIN bus) in main wiring harness

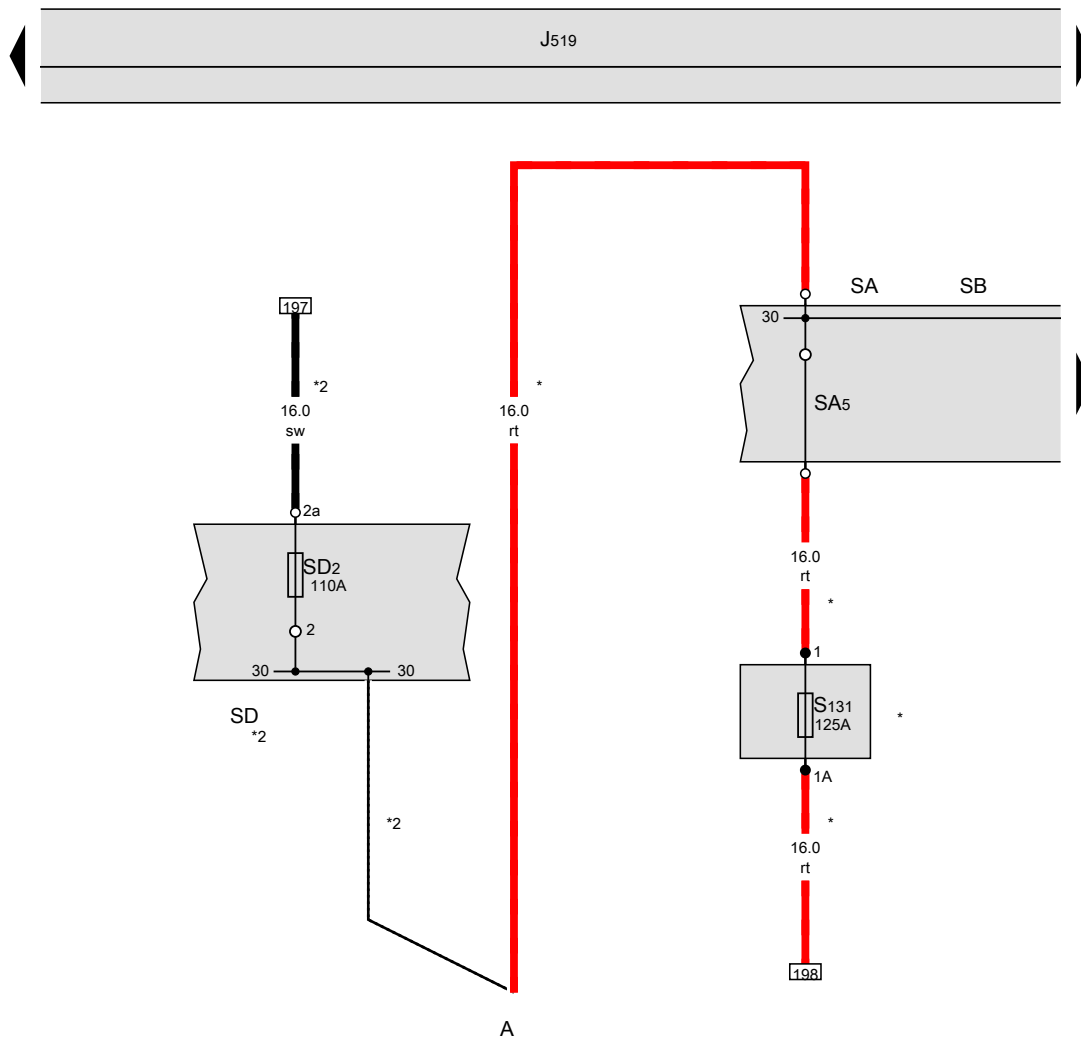
- * According to equipment
- *2 For models with anti-theft alarm system
- *3 Only models with Climatronic

- ws = white
- sw = black
- ro = red
- rt = red
- br = brown
- gn = green
- bl = blue
- gr = grey
- li = purple
- vi = purple
- ge = yellow
- or = orange
- rs = pink

[NH0-084130516]

Battery, Fuse holder A, Fuse holder B, Fuse holder D

- A Battery
- J519 Onboard supply control unit
- SD2 Fuse 2 on fuse holder D
- SA5 Fuse 5 in fuse holder A
- S131 Fuse 1, in main wiring harness
- SA Fuse holder A
- SB Fuse holder B
- SD Fuse holder D
- * Only models with battery in engine compartment
- *2 Only models with battery in luggage compartment



- ws = white
- sw = black
- ro = red
- rt = red
- br = brown
- gn = green
- bl = blue
- gr = grey
- li = purple
- vi = purple
- ge = yellow
- or = orange
- rs = pink

Fuse holder B, Fuse holder C

- J271 Main relay
- J329 Terminal 15 voltage supply relay
- J519 Onboard supply control unit
- SB Fuse holder B
- SB13 Fuse 13 on fuse holder B
- SC Fuse holder C
- SC30 Fuse 30 on fuse holder C
- SC32 Fuse 32 on fuse holder C

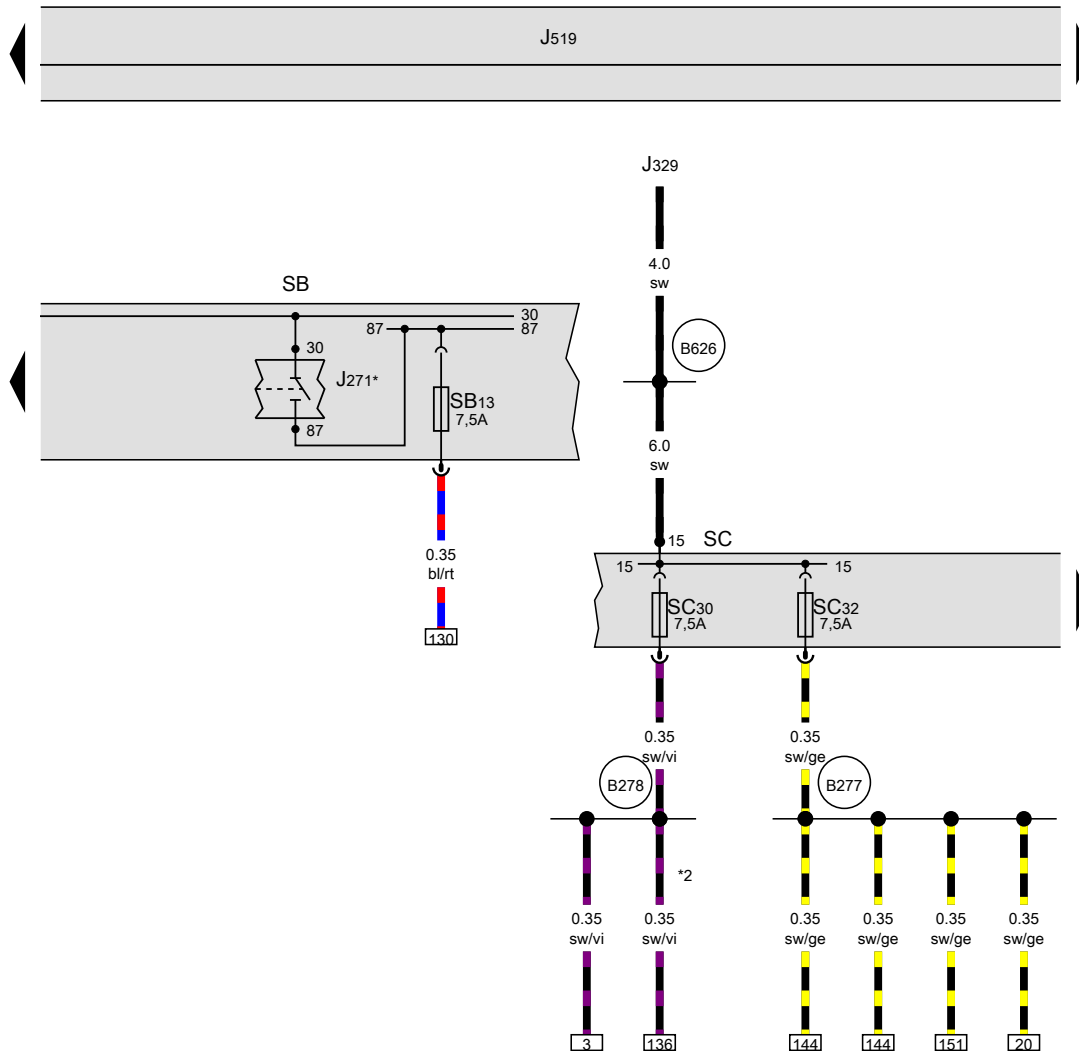
B277 Positive connection 1 (15a) in main wiring harness

B278 Positive connection 2 (15a) in main wiring harness

B626 Positive connection 2 (15), in main wiring harness

* see applicable current flow diagram for engine

*2 Only models with manual gearbox



- ws = white
- sw = black
- ro = red
- rt = red
- br = brown
- gn = green
- bl = blue
- gr = grey
- li = purple
- vi = purple
- ge = yellow
- or = orange
- rs = pink

183 184 185 186 187 188 189 190 191 192 193 194 195 196

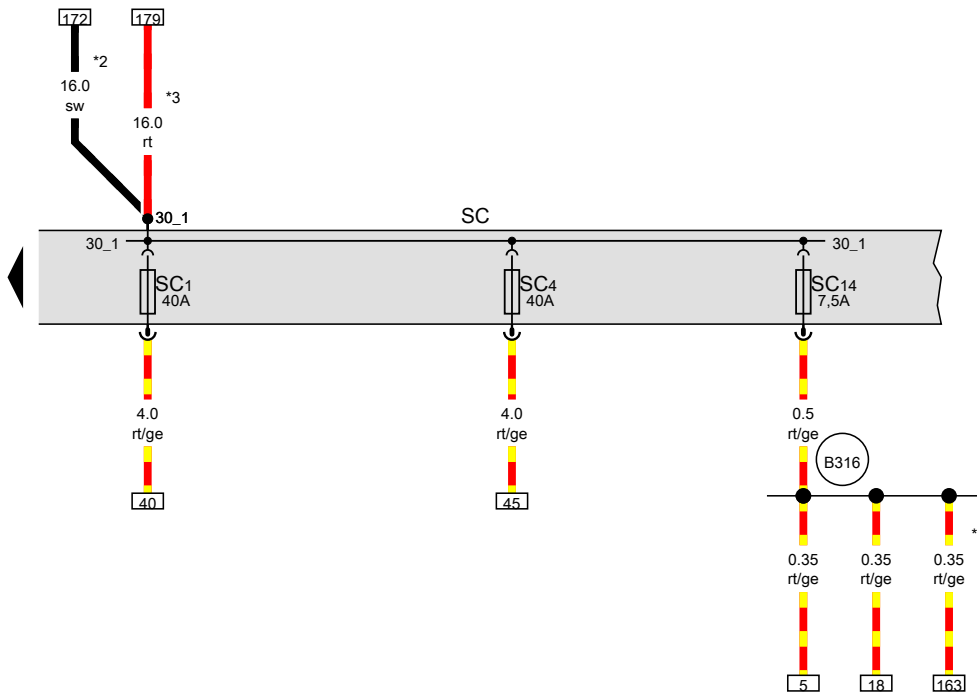
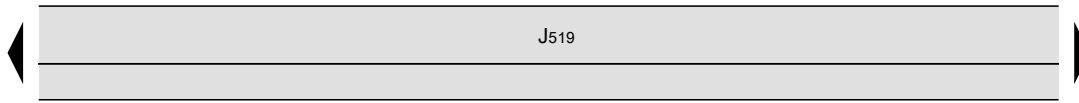
[NH0-084150516]

Fuse holder C

- J519 Onboard supply control unit
- SC Fuse holder C
- SC1 Fuse 1 on fuse holder C
- SC4 Fuse 4 on fuse holder C
- SC14 Fuse 14 on fuse holder C

B316 Positive connection 2 (30a) in main wiring harness

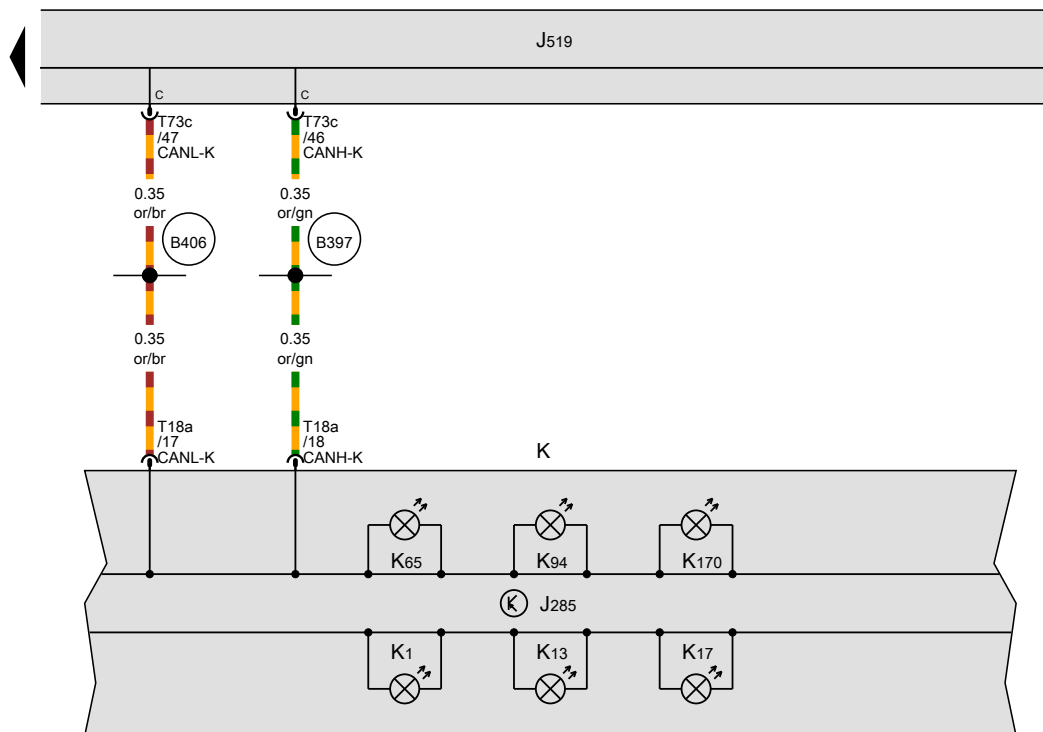
- * According to equipment
- *2 Only models with battery in luggage compartment
- *3 Only models with battery in engine compartment



- ws = white
- sw = black
- ro = red
- rt = red
- br = brown
- gn = green
- bl = blue
- gr = grey
- li = purple
- vi = purple
- ge = yellow
- or = orange
- rs = pink

197 198 199 200 201 202 203 204 205 206 207 208 209 210

[NH0-084160516]



Dash panel insert

- J285 Control unit in dash panel insert
- J519 Onboard supply control unit
- K Dash panel insert
- K1 Main beam warning lamp
- K13 Rear fog light warning lamp
- K17 Fog light warning lamp
- K65 Left turn signal warning lamp
- K94 Right turn signal warning lamp
- K170 Bulb failure warning lamp
- T18a 18-pin connector
- T73c 73-pin connector, black
- B397** Connection 1 (convenience CAN bus, high), in main wiring harness
- B406** Connection 1 (convenience CAN bus, low), in main wiring harness

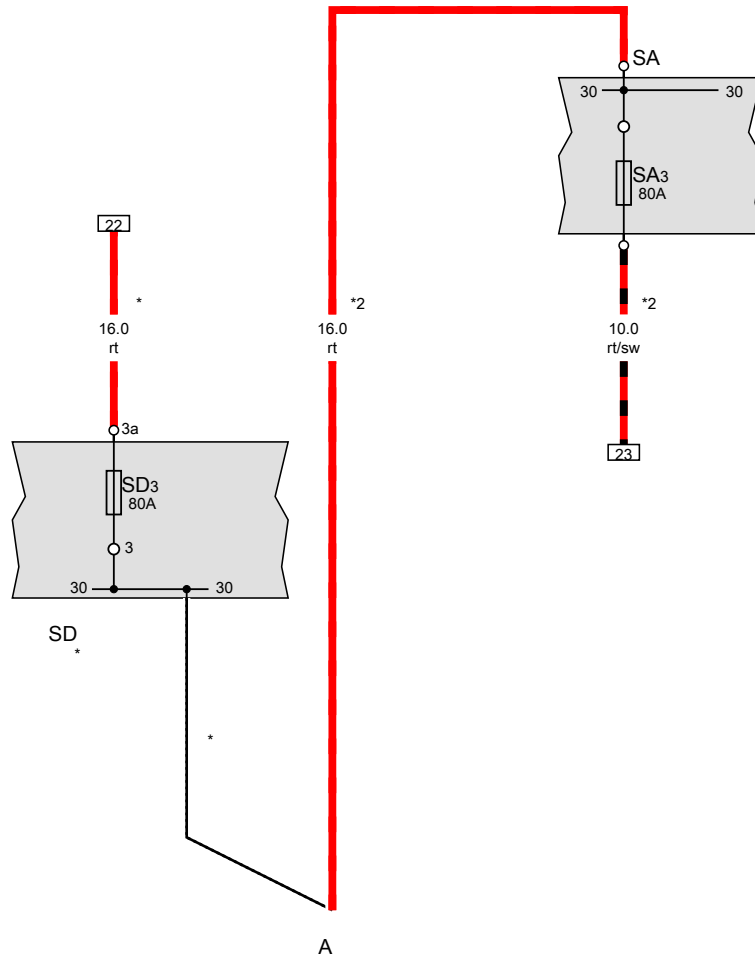
- ws = white
- sw = black
- ro = red
- rt = red
- br = brown
- gn = green
- bl = blue
- gr = grey
- li = purple
- vi = purple
- ge = yellow
- or = orange
- rs = pink

Electromechanical power steering

From November 2015

Battery, Fuse holder A, Fuse holder D

- A Battery
- J519 Onboard supply control unit
- SA Fuse holder A
- SD3 Fuse 3 on fuse holder D
- SA3 Fuse 3 in fuse holder A
- SD Fuse holder D
- * Only models with battery in luggage compartment
- *2 Only models with battery in engine compartment



- ws = white
- sw = black
- ro = red
- rt = red
- br = brown
- gn = green
- bl = blue
- gr = grey
- li = purple
- vi = purple
- ge = yellow
- or = orange
- rs = pink

1 2 3 4 5 6 7 8 9 10 11 12 13 14

[NH0-085020216]

Steering angle sender, Steering moment sender, Power steering control unit, Electromechanical power steering motor

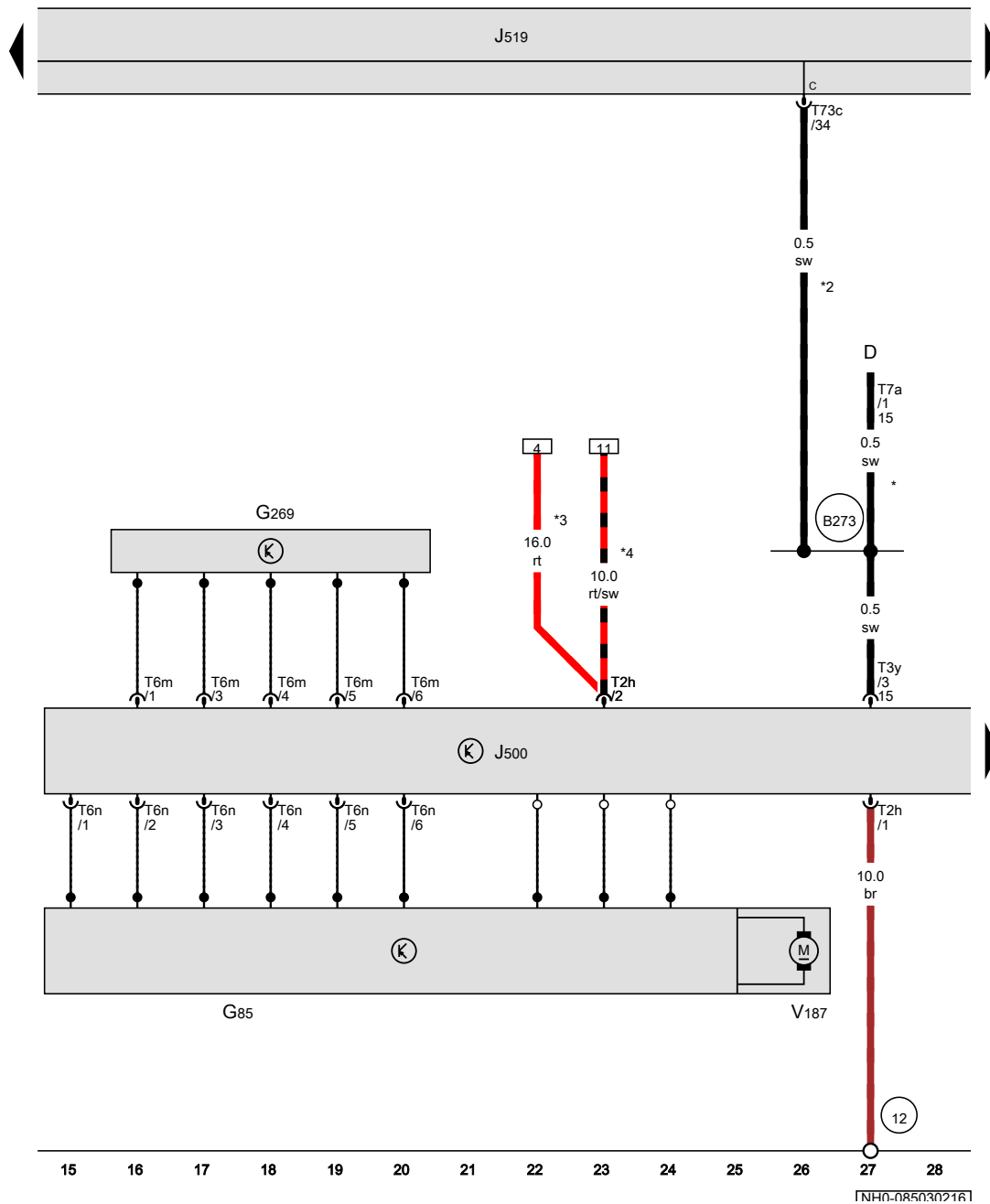
- D Ignition/starter switch
- G85 Steering angle sender
- G269 Steering moment sender
- J500 Power steering control unit
- J519 Onboard supply control unit
- T2h 2-pin connector
- T3y 3-pin connector
- T6m 6-pin connector
- T6n 6-pin connector
- T7a 7-pin connector
- T73c 73-pin connector, black
- V187 Electromechanical power steering motor

12 Earth point, on left in engine compartment

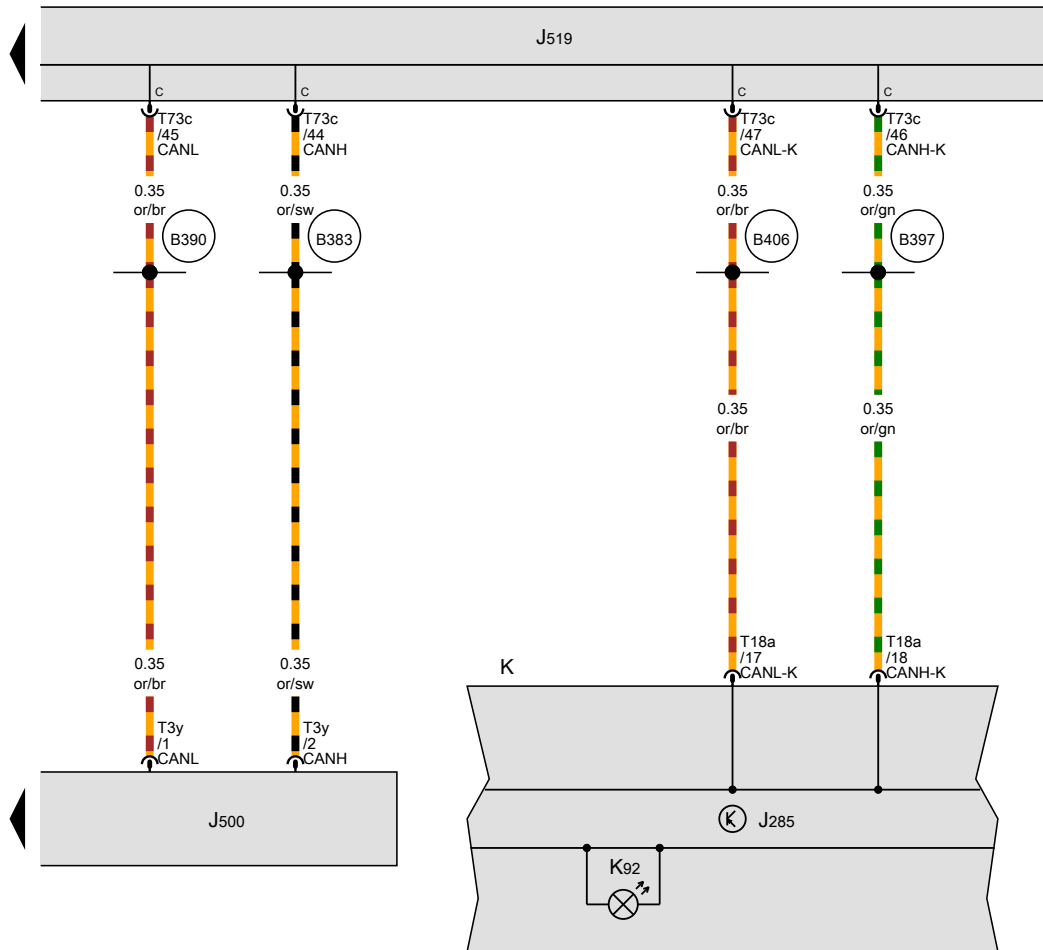
B273 Positive connection (15), in main wiring harness

- * Only models with no entry and start authorisation
- *2 Only models with entry and start authorisation
- *3 Only models with battery in luggage compartment
- *4 Only models with battery in engine compartment

- ws = white
- sw = black
- ro = red
- rt = red
- br = brown
- gn = green
- bl = blue
- gr = grey
- li = purple
- vi = purple
- ge = yellow
- or = orange
- rs = pink



[NH0-085030216]



Power steering control unit, Dash panel insert

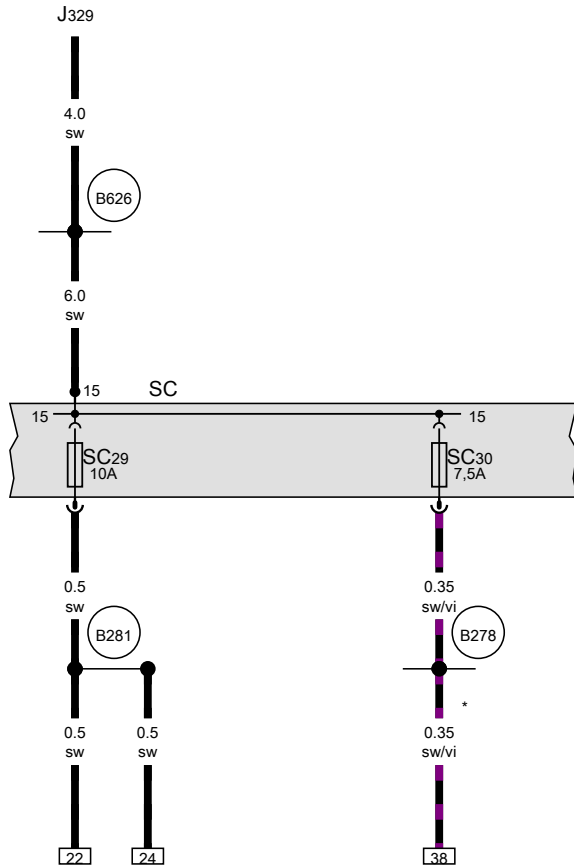
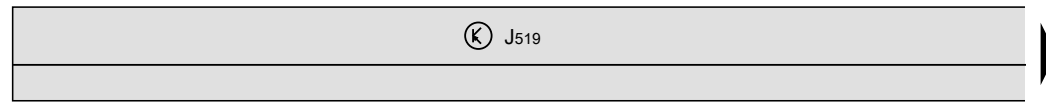
- J285 Control unit in dash panel insert
- J500 Power steering control unit
- J519 Onboard supply control unit
- K Dash panel insert
- K92 Servotronic warning lamp
- T3y 3-pin connector
- T18a 18-pin connector
- T73c 73-pin connector, black

- B383 Connection 1 (powertrain CAN bus, high), in main wiring harness
- B390 Connection 1 (powertrain CAN bus, low), in main wiring harness
- B397 Connection 1 (convenience CAN bus, high), in main wiring harness
- B406 Connection 1 (convenience CAN bus, low), in main wiring harness

- ws = white
- sw = black
- ro = red
- rt = red
- br = brown
- gn = green
- bl = blue
- gr = grey
- li = purple
- vi = purple
- ge = yellow
- or = orange
- rs = pink

Airbag systems

From November 2015



Fuse holder C

- J329 Terminal 15 voltage supply relay
- J519 Onboard supply control unit
- SC Fuse holder C
- SC29 Fuse 29 on fuse holder C
- SC30 Fuse 30 on fuse holder C

B278 Positive connection 2 (15a) in main wiring harness

B281 Positive connection 5 (15a) in main wiring harness

B626 Positive connection 2 (15), in main wiring harness

* Only models with key operated switch to deactivate front passenger airbag

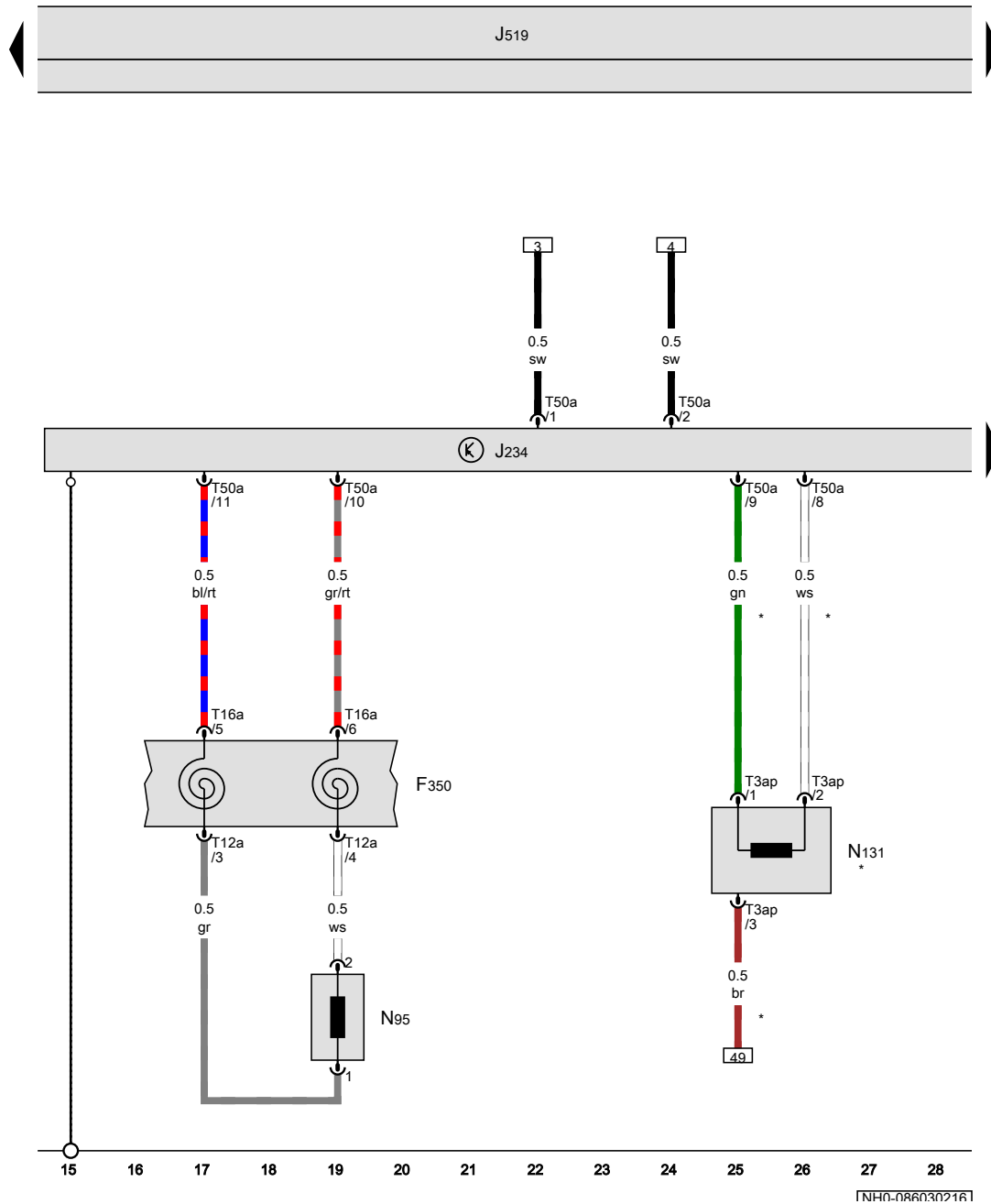
- ws = white
- sw = black
- ro = red
- rt = red
- br = brown
- gn = green
- bl = blue
- gr = grey
- li = purple
- vi = purple
- ge = yellow
- or = orange
- rs = pink

1 2 3 4 5 6 7 8 9 10 11 12 13 14

[NH0-086020216]

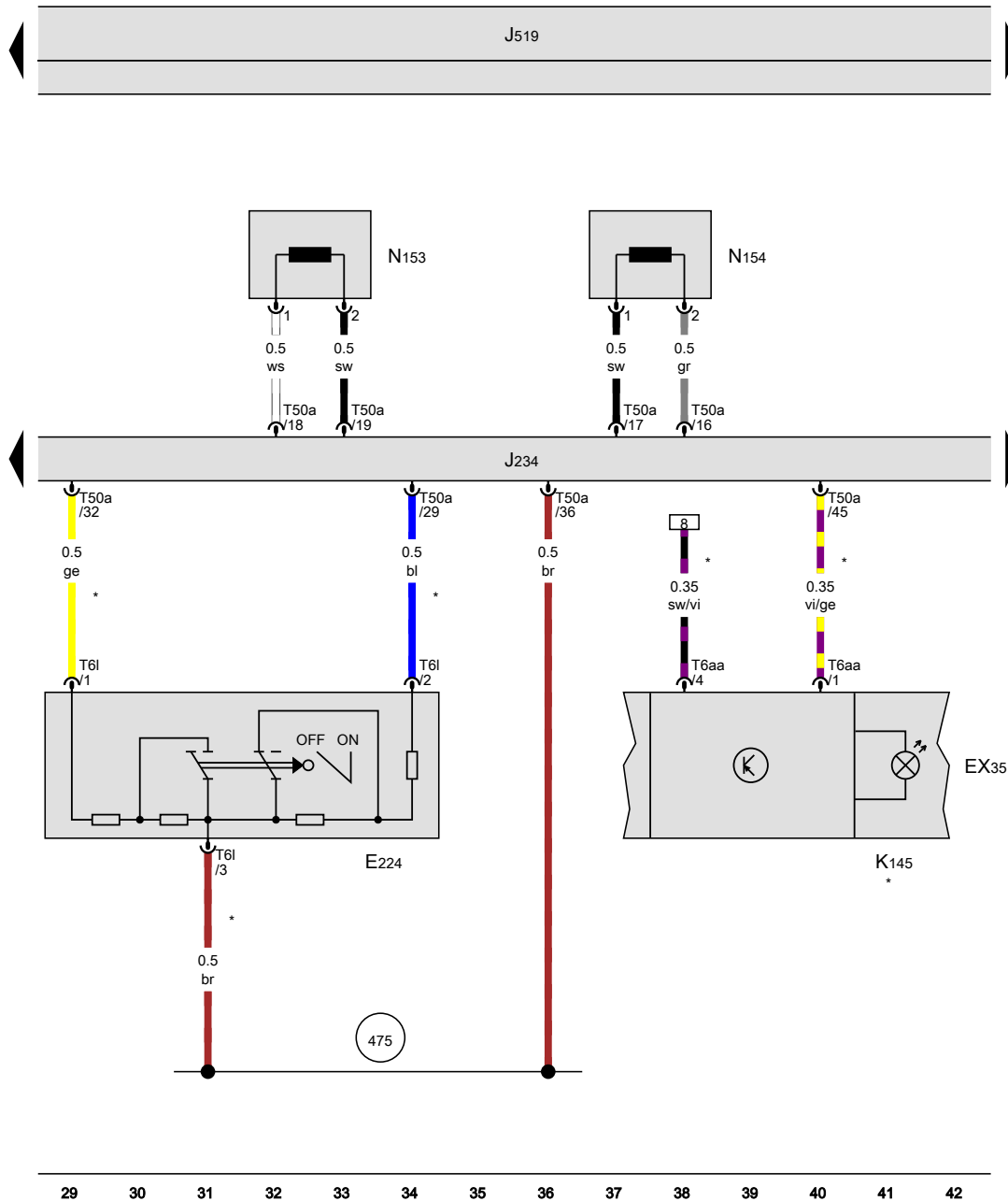
Coil connector, Airbag control unit, Driver side airbag igniter, Front passenger side airbag igniter 1

- F350 Coil connector
- J234 Airbag control unit
- J519 Onboard supply control unit
- N95 Driver side airbag igniter
- N131 Front passenger side airbag igniter 1
- T3ap 3-pin connector
- T12a 12-pin connector
- T16a 16-pin connector
- T50a 50-pin connector
- * Only models with front passenger airbag



- ws = white
- sw = black
- ro = red
- rt = red
- br = brown
- gn = green
- bl = blue
- gr = grey
- li = purple
- vi = purple
- ge = yellow
- or = orange
- rs = pink

[NH0-086030216]



Centre switch module 2 in dash panel, Key operated switch to deactivate front passenger side airbag, Airbag control unit, Front passenger side airbag deactivated warning lamp, Driver seat belt tensioner igniter 1, Front passenger seat belt tensioner igniter 1

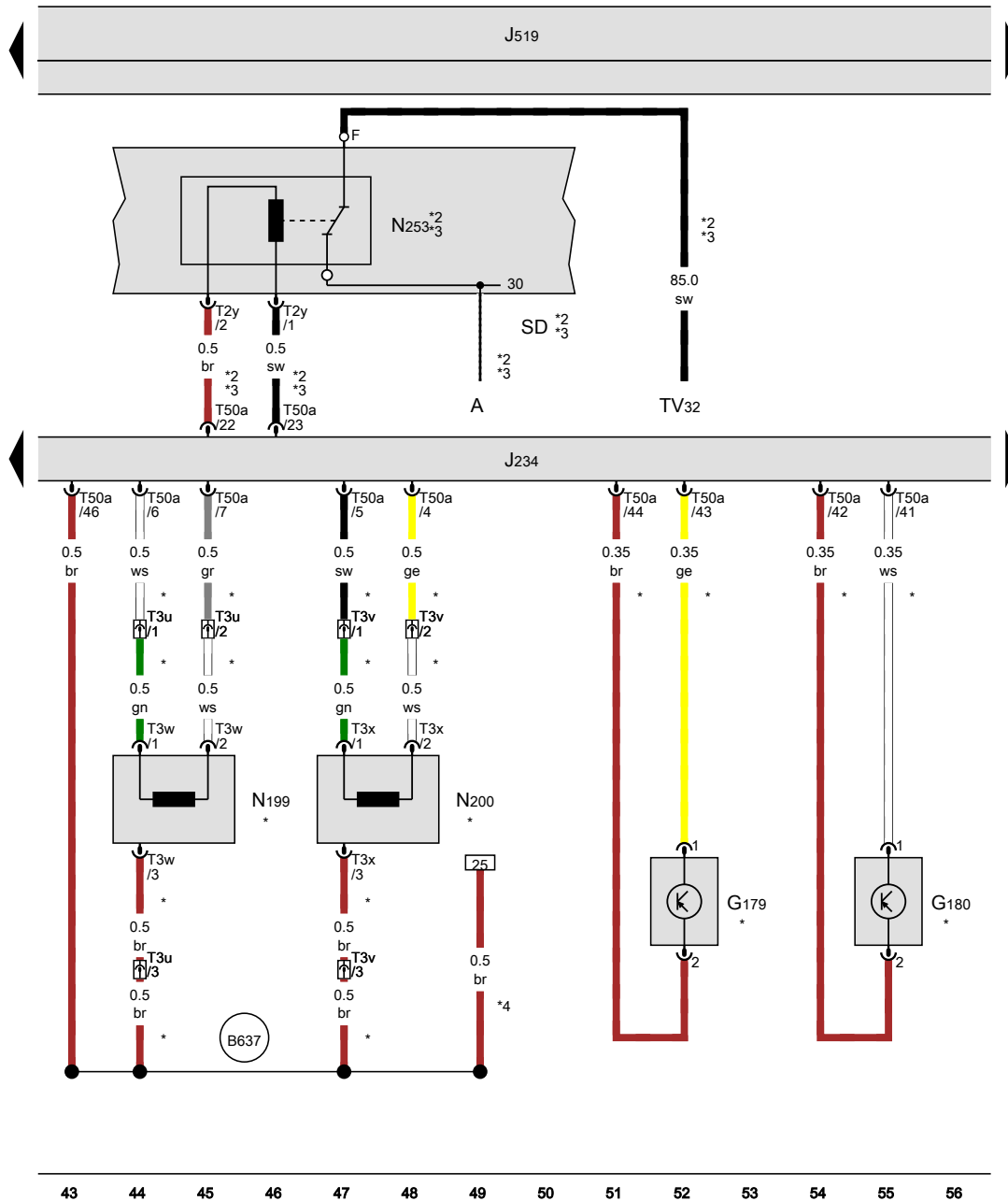
- EX35 Centre switch module 2 in dash panel
- E224 Key operated switch to deactivate front passenger side airbag
- J234 Airbag control unit
- J519 Onboard supply control unit
- K145 Front passenger side airbag deactivated warning lamp
- N153 Driver seat belt tensioner igniter 1
- N154 Front passenger seat belt tensioner igniter 1
- T6aa 6-pin connector
- T6I 6-pin connector
- T50a 50-pin connector

475 Earth connection (airbag), in main wiring harness

* Only models with key operated switch to deactivate front passenger airbag

- ws = white
- sw = black
- ro = red
- rt = red
- br = brown
- gn = green
- bl = blue
- gr = grey
- li = purple
- vi = purple
- ge = yellow
- or = orange
- rs = pink

Battery, Side airbag crash sensor on driver side, Side airbag crash sensor on front passenger side, Airbag control unit, Side airbag igniter on driver side, Side airbag igniter on front passenger side, Battery isolation igniter, Fuse holder D, Jump start connection



- A Battery
- G179 Side airbag crash sensor on driver side
- G180 Side airbag crash sensor on front passenger side
- J234 Airbag control unit
- J519 Onboard supply control unit
- N199 Side airbag igniter on driver side
- N200 Side airbag igniter on front passenger side
- N253 Battery isolation igniter
- SD Fuse holder D
- T2y 2-pin connector
- T3u 3-pin connector, under driver seat, yellow
- T3v 3-pin connector, under front passenger seat, yellow
- T3w 3-pin connector
- T3x 3-pin connector
- T50a 50-pin connector
- TV32 Jump start connection

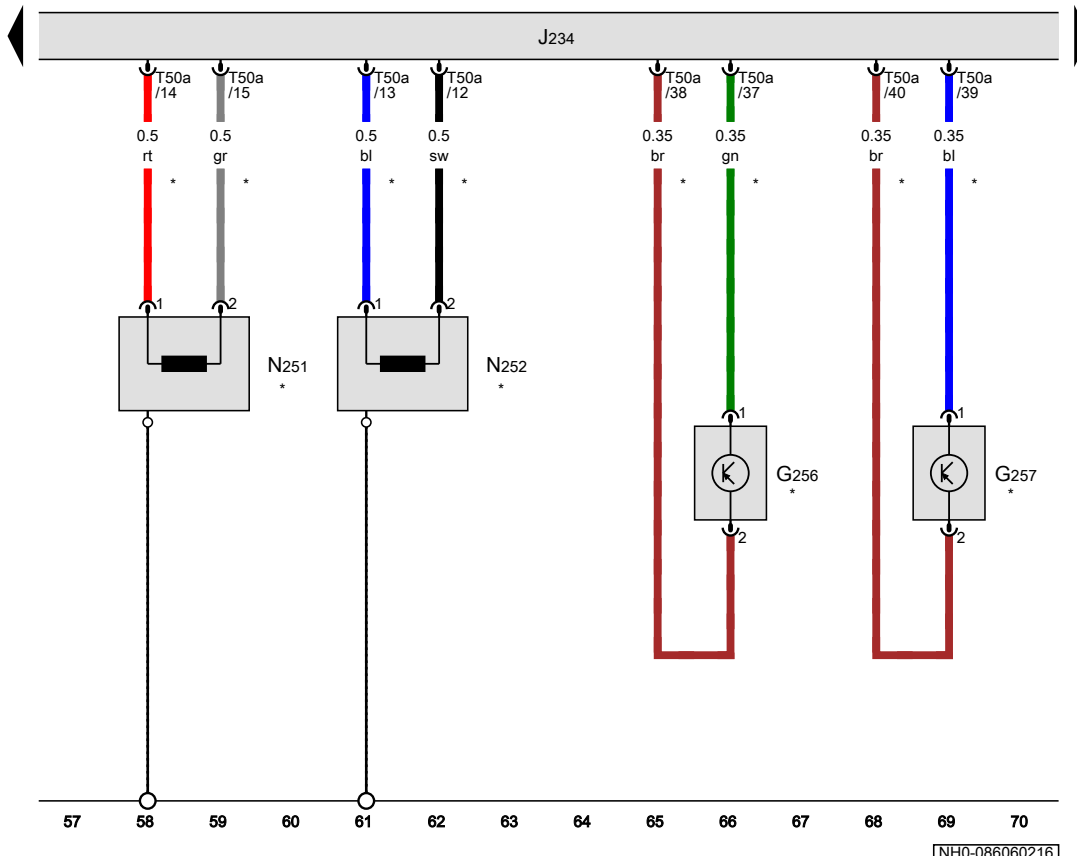
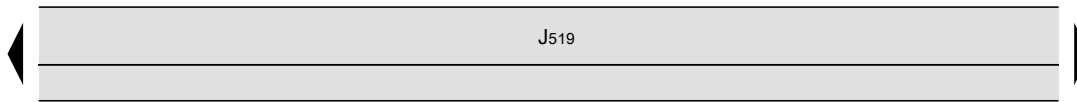
B637 Connection 1 (airbag), in main wiring harness

- * Only models with side airbags
- *2 see applicable current flow diagram for engine
- *3 Only models with battery in luggage compartment
- *4 Only models with front passenger airbag

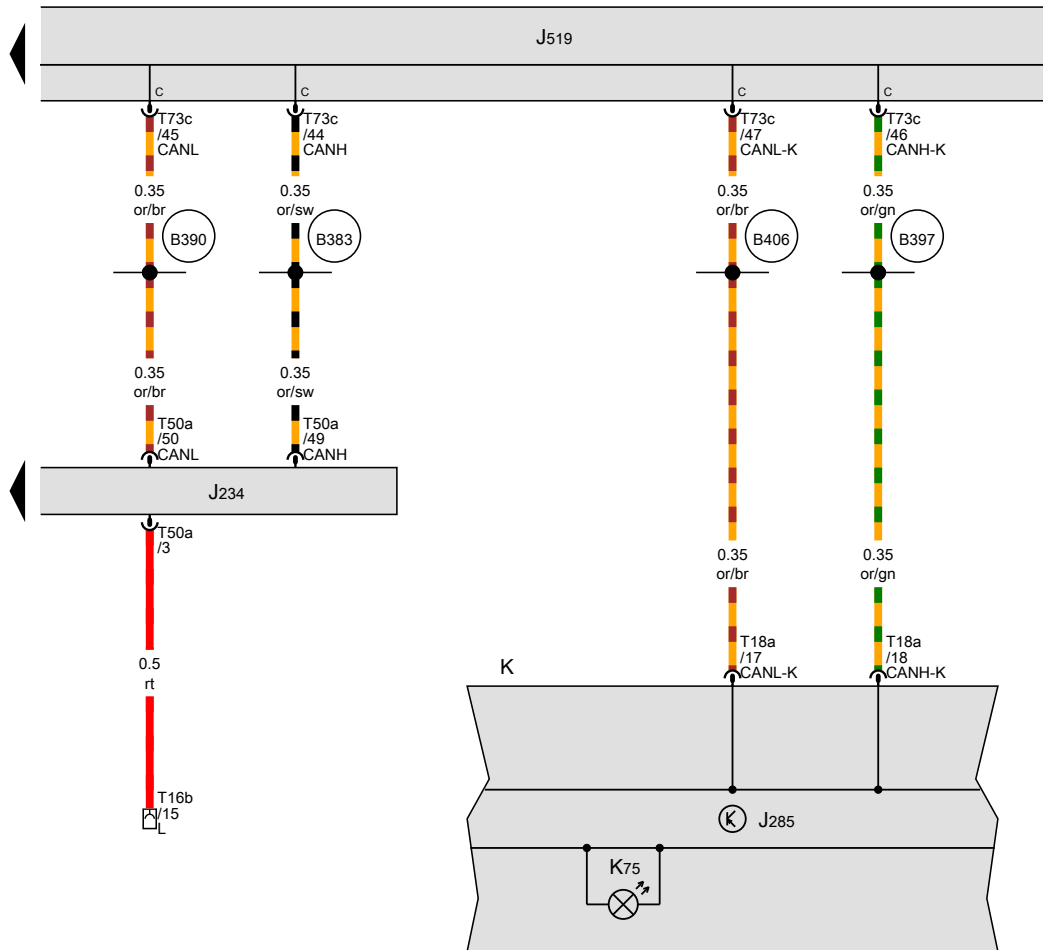
- ws = white
- sw = black
- ro = red
- rt = red
- br = brown
- gn = green
- bl = blue
- gr = grey
- li = purple
- vi = purple
- ge = yellow
- or = orange
- rs = pink

Rear side airbag crash sensor on driver side, Rear side airbag crash sensor on front passenger side, Airbag control unit, Driver side curtain airbag igniter, Front passenger side curtain airbag igniter

- G256 Rear side airbag crash sensor on driver side
- G257 Rear side airbag crash sensor on front passenger side
- J234 Airbag control unit
- J519 Onboard supply control unit
- N251 Driver side curtain airbag igniter
- N252 Front passenger side curtain airbag igniter
- T50a 50-pin connector
- * Only models with curtain/head airbag



- ws = white
- sw = black
- ro = red
- rt = red
- br = brown
- gn = green
- bl = blue
- gr = grey
- li = purple
- vi = purple
- ge = yellow
- or = orange
- rs = pink



Airbag control unit, Dash panel insert

- J234 Airbag control unit
- J285 Control unit in dash panel insert
- J519 Onboard supply control unit
- K Dash panel insert
- K75 Airbag warning lamp
- T16b 16-pin connector, on diagnostic connection
- T18a 18-pin connector
- T50a 50-pin connector
- T73c 73-pin connector, black

- B383 Connection 1 (powertrain CAN bus, high), in main wiring harness
- B390 Connection 1 (powertrain CAN bus, low), in main wiring harness
- B397 Connection 1 (convenience CAN bus, high), in main wiring harness
- B406 Connection 1 (convenience CAN bus, low), in main wiring harness

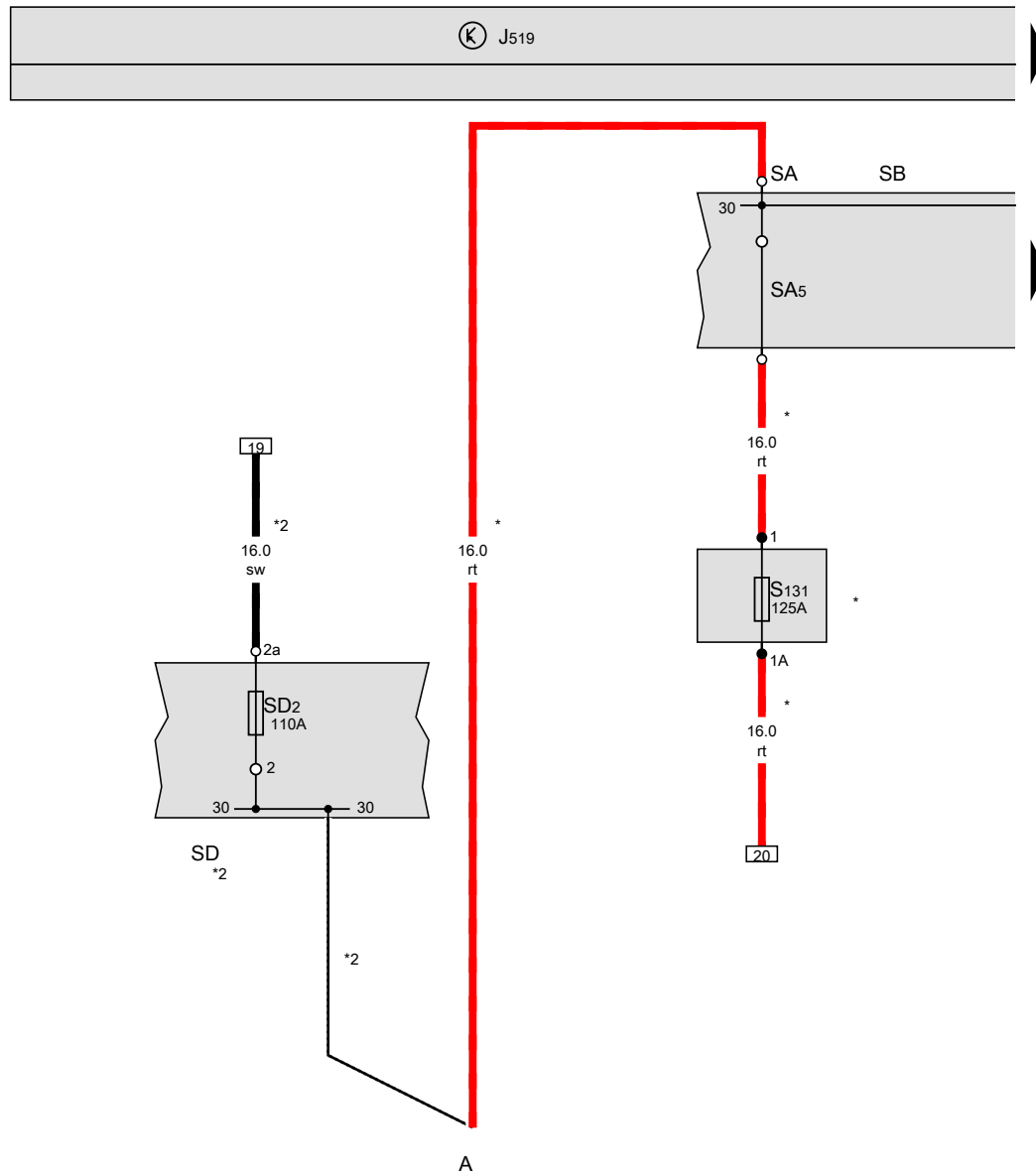
- ws = white
- sw = black
- ro = red
- rt = red
- br = brown
- gn = green
- bl = blue
- gr = grey
- li = purple
- vi = purple
- ge = yellow
- or = orange
- rs = pink

6-speed automatic gearbox 09G

From November 2015

Battery, Fuse holder A, Fuse holder B, Fuse holder D

- A Battery
- J519 Onboard supply control unit
- SD2 Fuse 2 on fuse holder D
- SA5 Fuse 5 in fuse holder A
- S131 Fuse 1, in main wiring harness
- SA Fuse holder A
- SB Fuse holder B
- SD Fuse holder D
- * Only models with battery in engine compartment
- *2 Only models with battery in luggage compartment

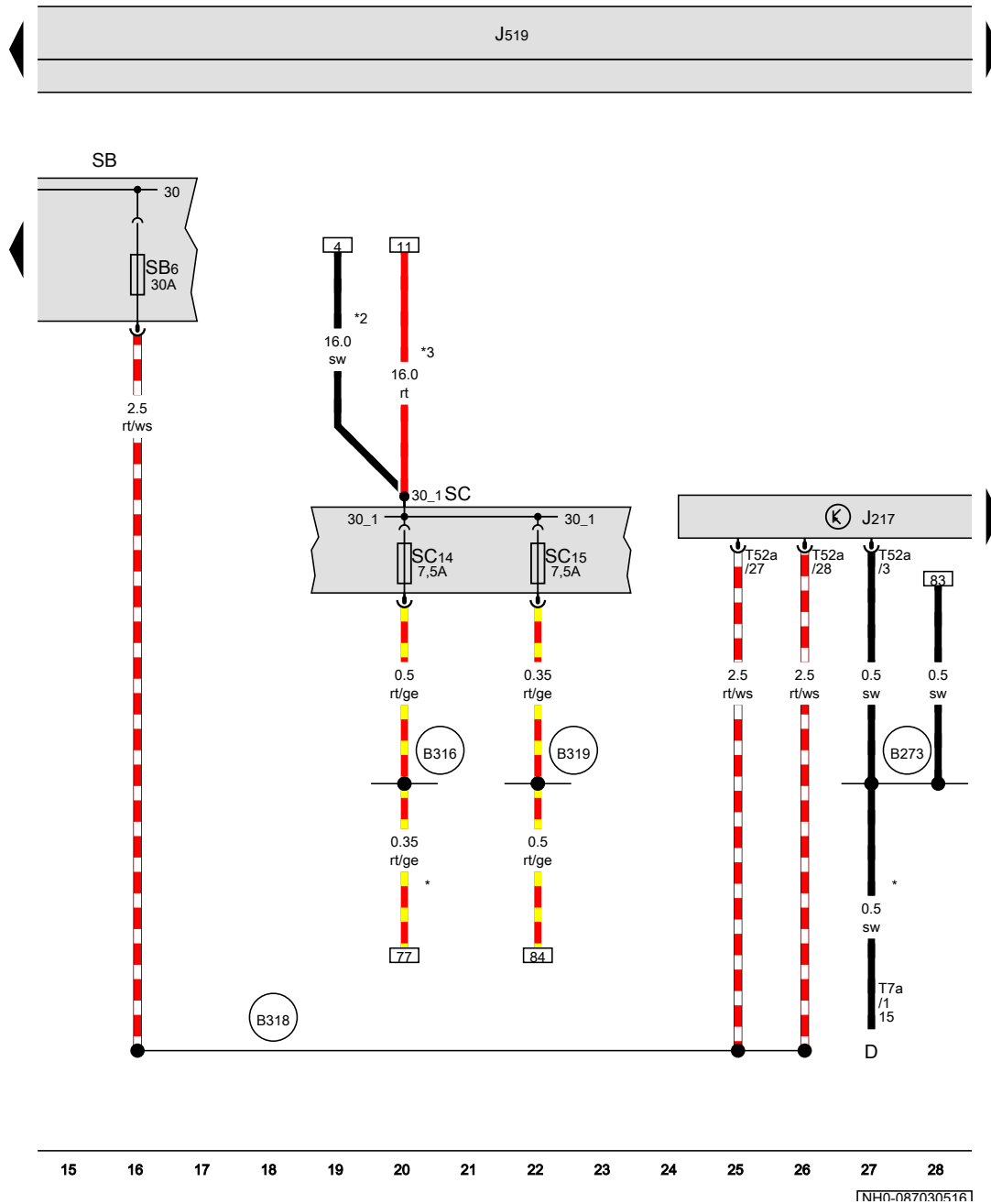


- ws = white
- sw = black
- ro = red
- rt = red
- br = brown
- gn = green
- bl = blue
- gr = grey
- li = purple
- vi = purple
- ge = yellow
- or = orange
- rs = pink

1 2 3 4 5 6 7 8 9 10 11 12 13 14

[NH0-087020516]

Automatic gearbox control unit, Fuse holder B, Fuse holder C



- D Ignition/starter switch
- J217 Automatic gearbox control unit
- J519 Onboard supply control unit
- SB Fuse holder B
- SB6 Fuse 6 on fuse holder B
- SC Fuse holder C
- SC14 Fuse 14 on fuse holder C
- SC15 Fuse 15 on fuse holder C
- T7a 7-pin connector
- T52a 52-pin connector

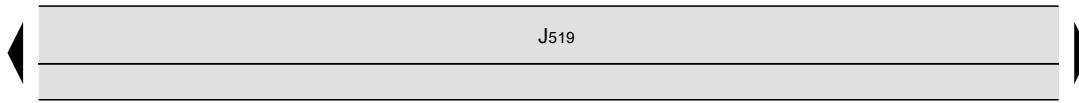
- B273 Positive connection (15), in main wiring harness
- B316 Positive connection 2 (30a) in main wiring harness
- B318 Positive connection 4 (30a) in main wiring harness
- B319 Positive connection 5 (30a) in main wiring harness

- * Only models with no entry and start authorisation
- *2 Only models with battery in luggage compartment
- *3 Only models with battery in engine compartment

- ws = white
- sw = black
- ro = red
- rt = red
- br = brown
- gn = green
- bl = blue
- gr = grey
- li = purple
- vi = purple
- ge = yellow
- or = orange
- rs = pink

15 16 17 18 19 20 21 22 23 24 25 26 27 28

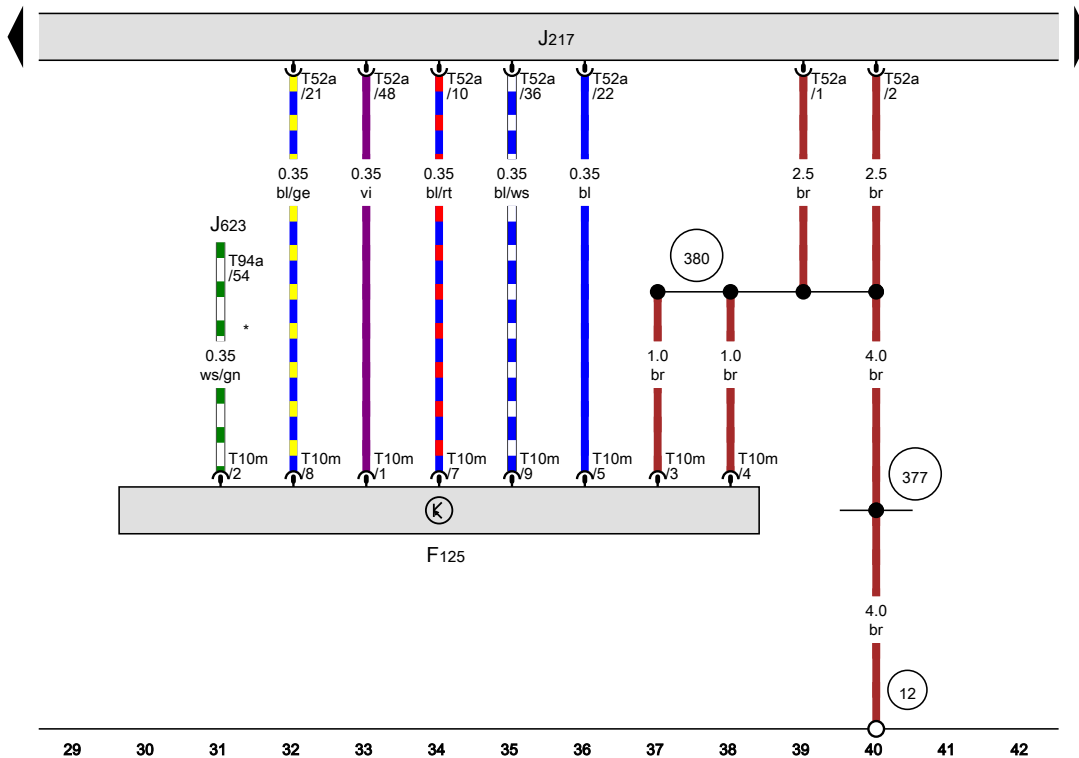
[NH0-087030516]



Multifunction switch, Automatic gearbox control unit

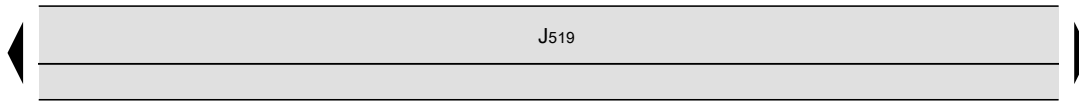
- F125 Multifunction switch
- J217 Automatic gearbox control unit
- J519 Onboard supply control unit
- J623 Engine control unit
- T10m 10-pin connector
- T52a 52-pin connector
- T94a 94-pin connector

- 12 Earth point, on left in engine compartment
- 377 Earth connection 12, in main wiring harness
- 380 Earth connection 15, in main wiring harness
- * see applicable current flow diagram for engine



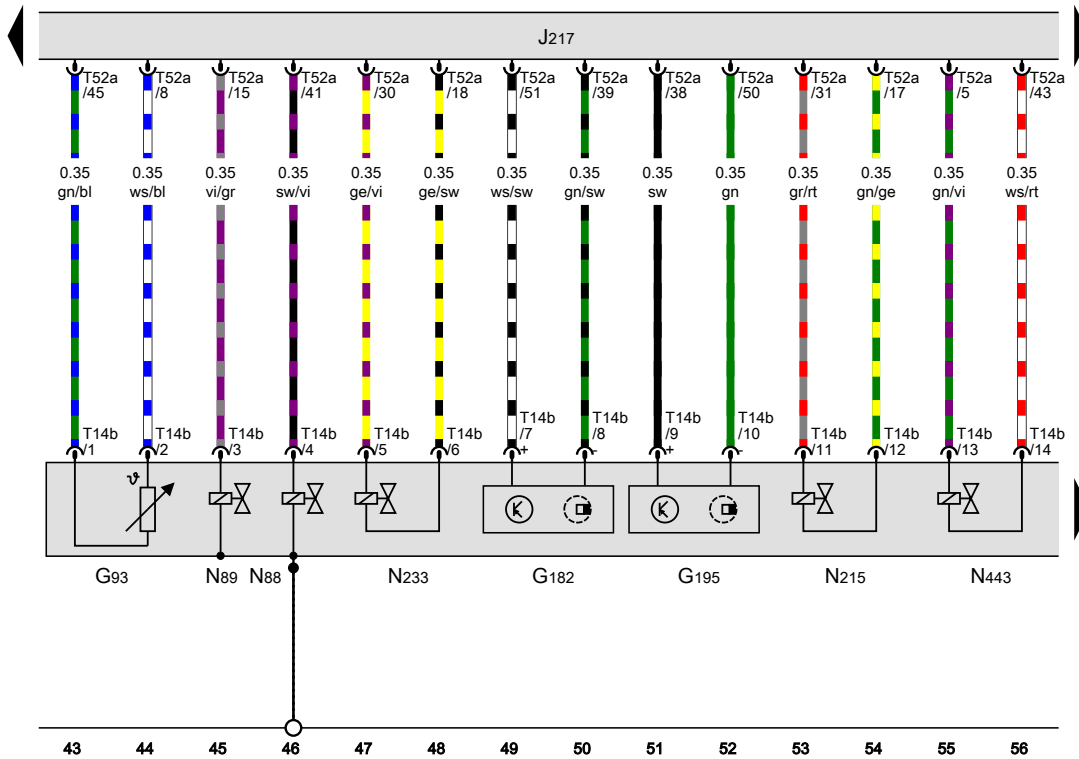
- ws = white
- sw = black
- ro = red
- rt = red
- br = brown
- gn = green
- bl = blue
- gr = grey
- li = purple
- vi = purple
- ge = yellow
- or = orange
- rs = pink

[NH0-087040516]



Gearbox oil temperature sender, Gearbox input speed sender, Gearbox output speed sender, Automatic gearbox control unit, Solenoid valve 1, Solenoid valve 2, Automatic gearbox pressure regulating valve 1, Automatic gearbox pressure regulating valve 5, Automatic gearbox pressure regulating valve 7

- G93 Gearbox oil temperature sender
- G182 Gearbox input speed sender
- G195 Gearbox output speed sender
- J217 Automatic gearbox control unit
- J519 Onboard supply control unit
- N88 Solenoid valve 1
- N89 Solenoid valve 2
- N215 Automatic gearbox pressure regulating valve 1
- N233 Automatic gearbox pressure regulating valve 5
- N443 Automatic gearbox pressure regulating valve 7
- T14b 14-pin connector
- T52a 52-pin connector

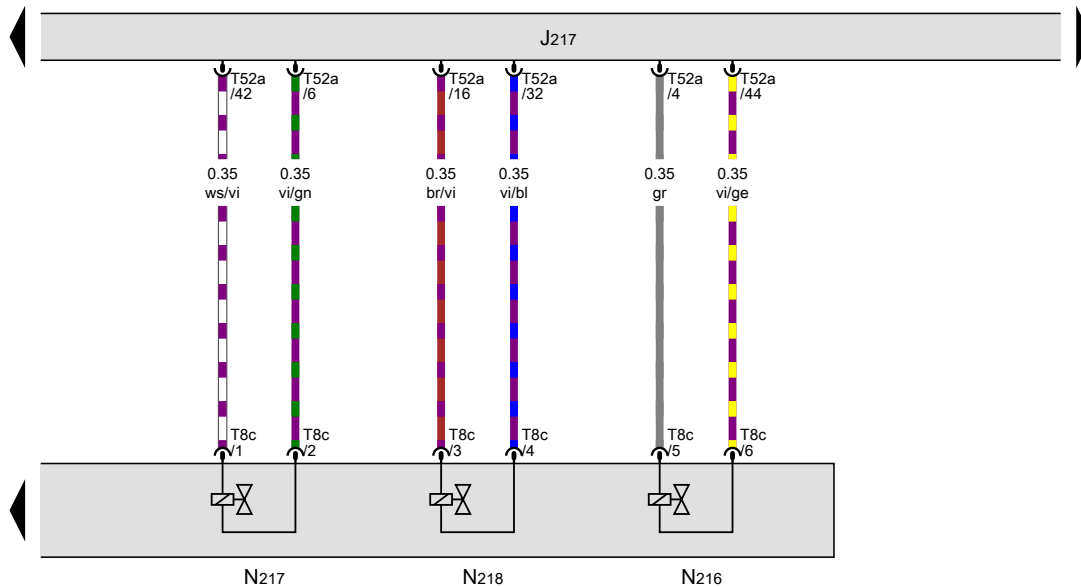
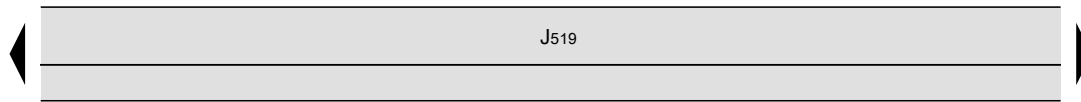


- ws = white
- sw = black
- ro = red
- rt = red
- br = brown
- gn = green
- bl = blue
- gr = grey
- li = purple
- vi = purple
- ge = yellow
- or = orange
- rs = pink

[NH0-087050516]

Automatic gearbox control unit, Automatic gearbox pressure regulating valve 2, Automatic gearbox pressure regulating valve 3, Automatic gearbox pressure regulating valve 4

- J217 Automatic gearbox control unit
- J519 Onboard supply control unit
- N216 Automatic gearbox pressure regulating valve 2
- N217 Automatic gearbox pressure regulating valve 3
- N218 Automatic gearbox pressure regulating valve 4
- T8c 8-pin connector
- T52a 52-pin connector



- ws = white
- sw = black
- ro = red
- rt = red
- br = brown
- gn = green
- bl = blue
- gr = grey
- li = purple
- vi = purple
- ge = yellow
- or = orange
- rs = pink

Tiptronic switch, Selector lever locked in position P switch, Automatic gearbox control unit, Ignition key withdrawal lock solenoid

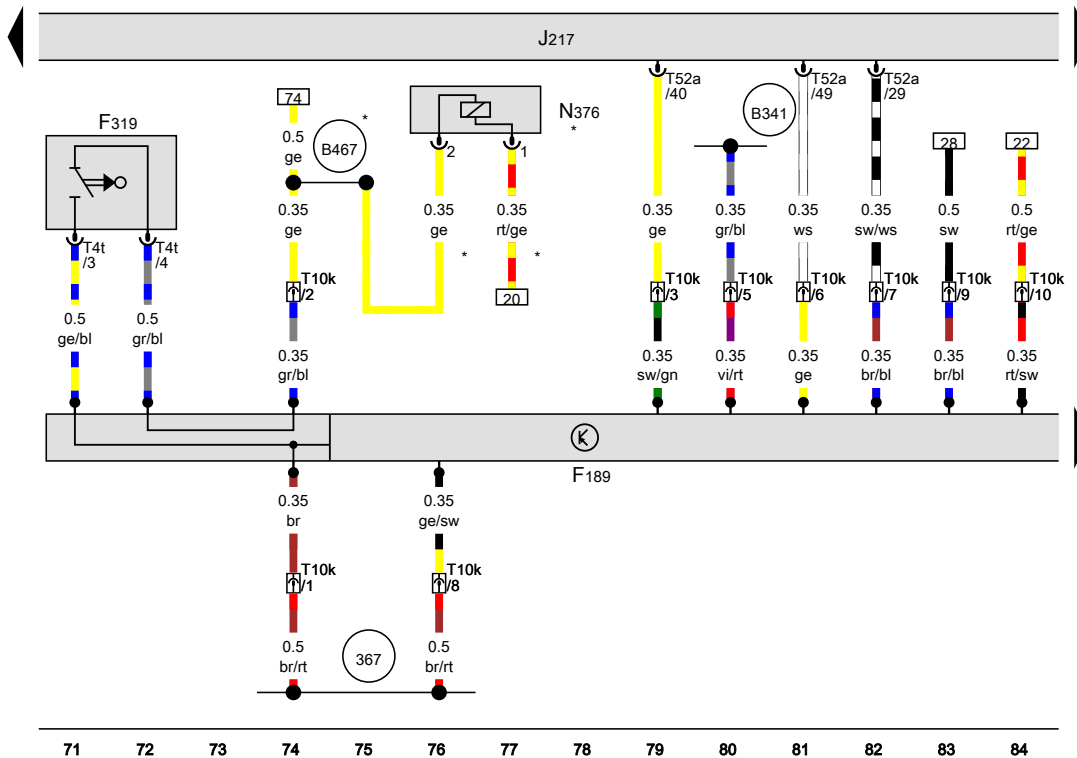
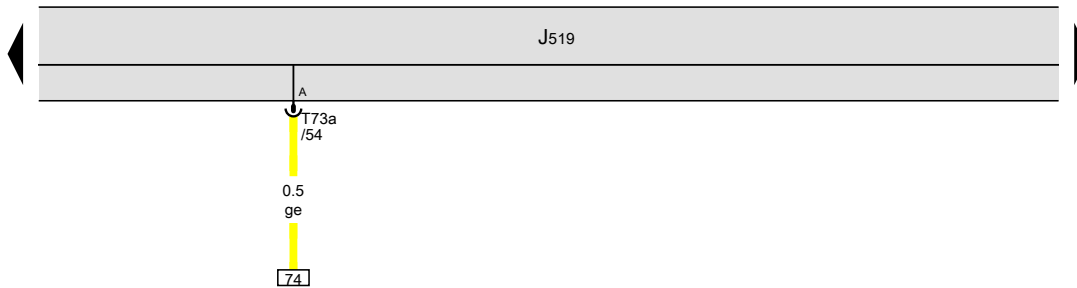
- F189 Tiptronic switch
- F319 Selector lever locked in position P switch
- J217 Automatic gearbox control unit
- J519 Onboard supply control unit
- N376 Ignition key withdrawal lock solenoid
- T4t 4-pin connector
- T10k 10-pin connector
- T52a 52-pin connector
- T73a 73-pin connector, black

(367) Earth connection 2, in main wiring harness

(B341) Connection 2 (58d), in main wiring harness

(B467) Connection 3, in main wiring harness

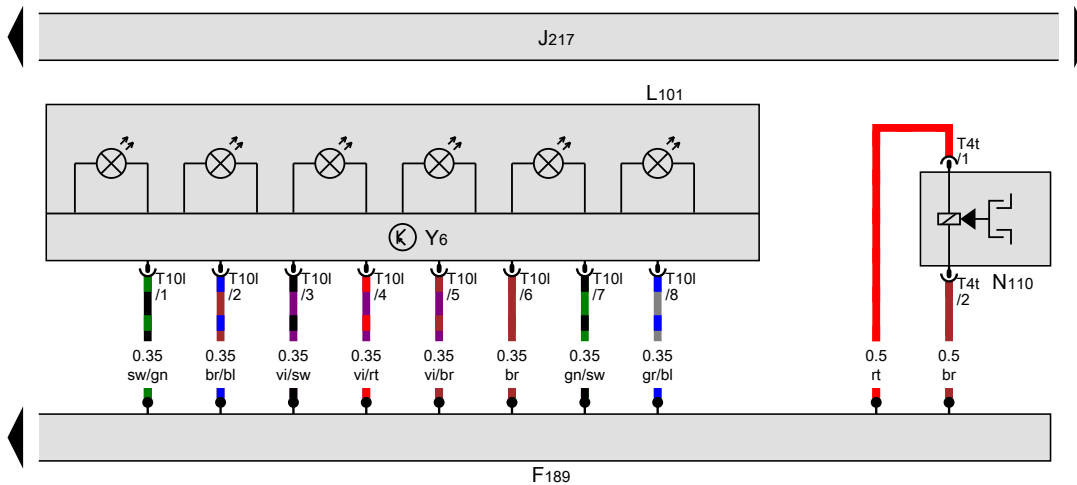
* Only models with no entry and start authorisation



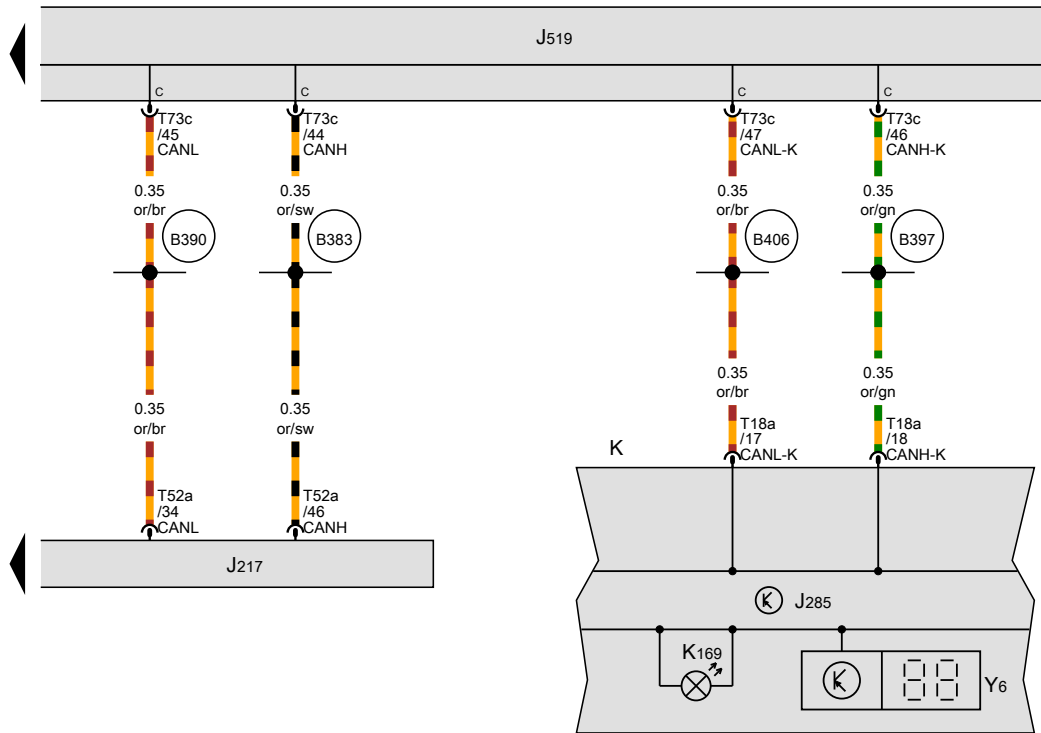
- ws = white
- sw = black
- ro = red
- rt = red
- br = brown
- gn = green
- bl = blue
- gr = grey
- li = purple
- vi = purple
- ge = yellow
- or = orange
- rs = pink

Tiptronic switch, Automatic gearbox control unit, Selector lever lock solenoid, Selector lever position display

- F189 Tiptronic switch
- J217 Automatic gearbox control unit
- J519 Onboard supply control unit
- L101 Selector lever display illumination bulb
- M16 Left reversing light bulb
- M17 Right reversing light bulb
- N110 Selector lever lock solenoid
- T4t 4-pin connector
- T101 10-pin connector
- T73c 73-pin connector, black
- Y6 Selector lever position display
- B520 Connection (RL), in main wiring harness



- ws = white
- sw = black
- ro = red
- rt = red
- br = brown
- gn = green
- bl = blue
- gr = grey
- li = purple
- vi = purple
- ge = yellow
- or = orange
- rs = pink



Automatic gearbox control unit, Dash panel insert

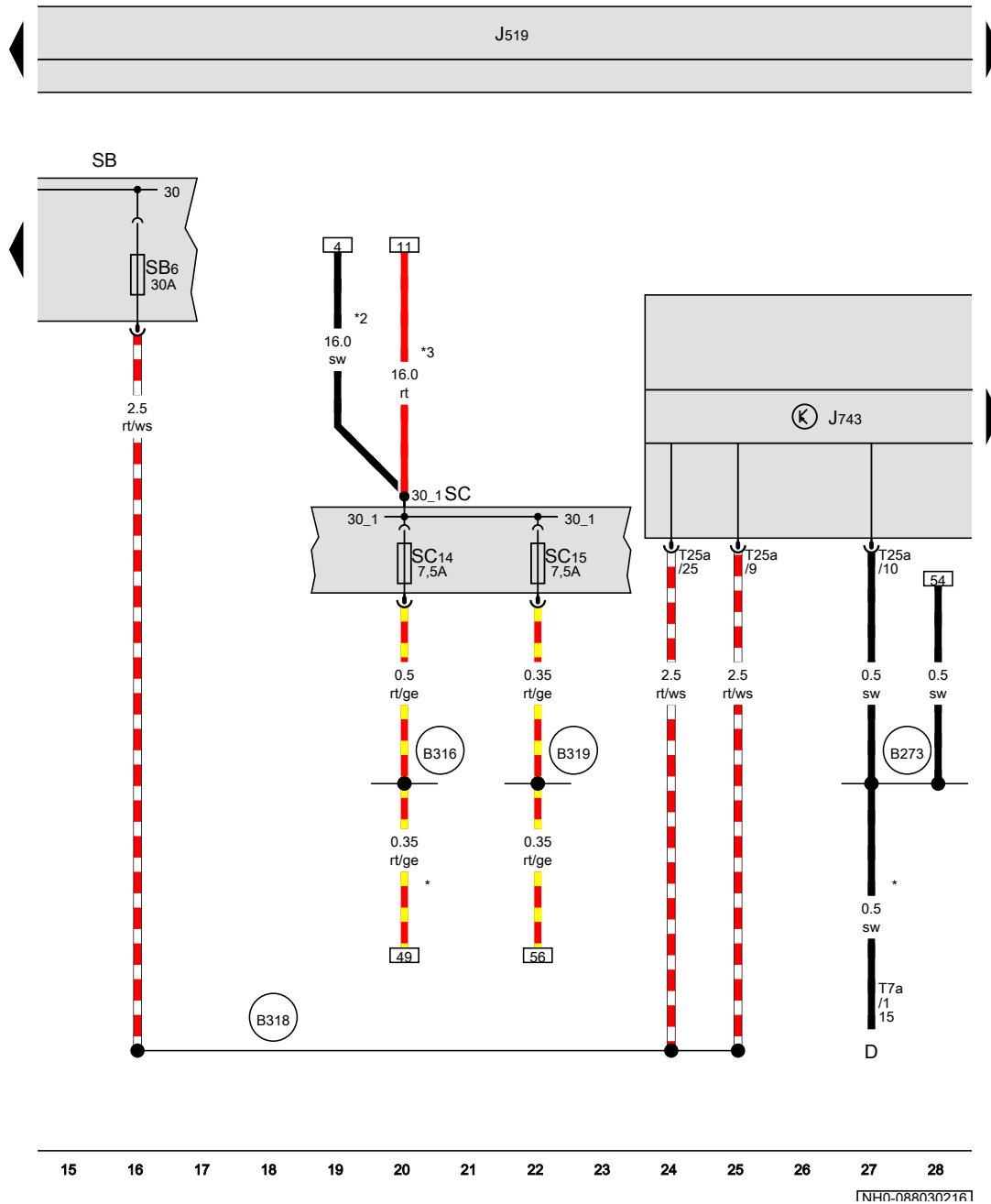
- J217 Automatic gearbox control unit
- J285 Control unit in dash panel insert
- J519 Onboard supply control unit
- K Dash panel insert
- K169 Selector lever lock warning lamp
- T18a 18-pin connector
- T52a 52-pin connector
- T73c 73-pin connector, black
- Y6 Selector lever position display

- B383** Connection 1 (powertrain CAN bus, high), in main wiring harness
- B390** Connection 1 (powertrain CAN bus, low), in main wiring harness
- B397** Connection 1 (convenience CAN bus, high), in main wiring harness
- B406** Connection 1 (convenience CAN bus, low), in main wiring harness

- ws = white
- sw = black
- ro = red
- rt = red
- br = brown
- gn = green
- bl = blue
- gr = grey
- li = purple
- vi = purple
- ge = yellow
- or = orange
- rs = pink

Dual clutch gearbox 0CW

From November 2015



Mechatronic unit for dual clutch gearbox, Fuse holder B, Fuse holder C

- D Ignition/starter switch
- J519 Onboard supply control unit
- J743 Mechatronic unit for dual clutch gearbox
- SB Fuse holder B
- SB6 Fuse 6 on fuse holder B
- SC Fuse holder C
- SC14 Fuse 14 on fuse holder C
- SC15 Fuse 15 on fuse holder C
- T7a 7-pin connector
- T25a 25-pin connector

- (B273) Positive connection (15), in main wiring harness
- (B316) Positive connection 2 (30a) in main wiring harness
- (B318) Positive connection 4 (30a) in main wiring harness
- (B319) Positive connection 5 (30a) in main wiring harness

- * Only models with no entry and start authorisation
- *2 Only models with battery in luggage compartment
- *3 Only models with battery in engine compartment

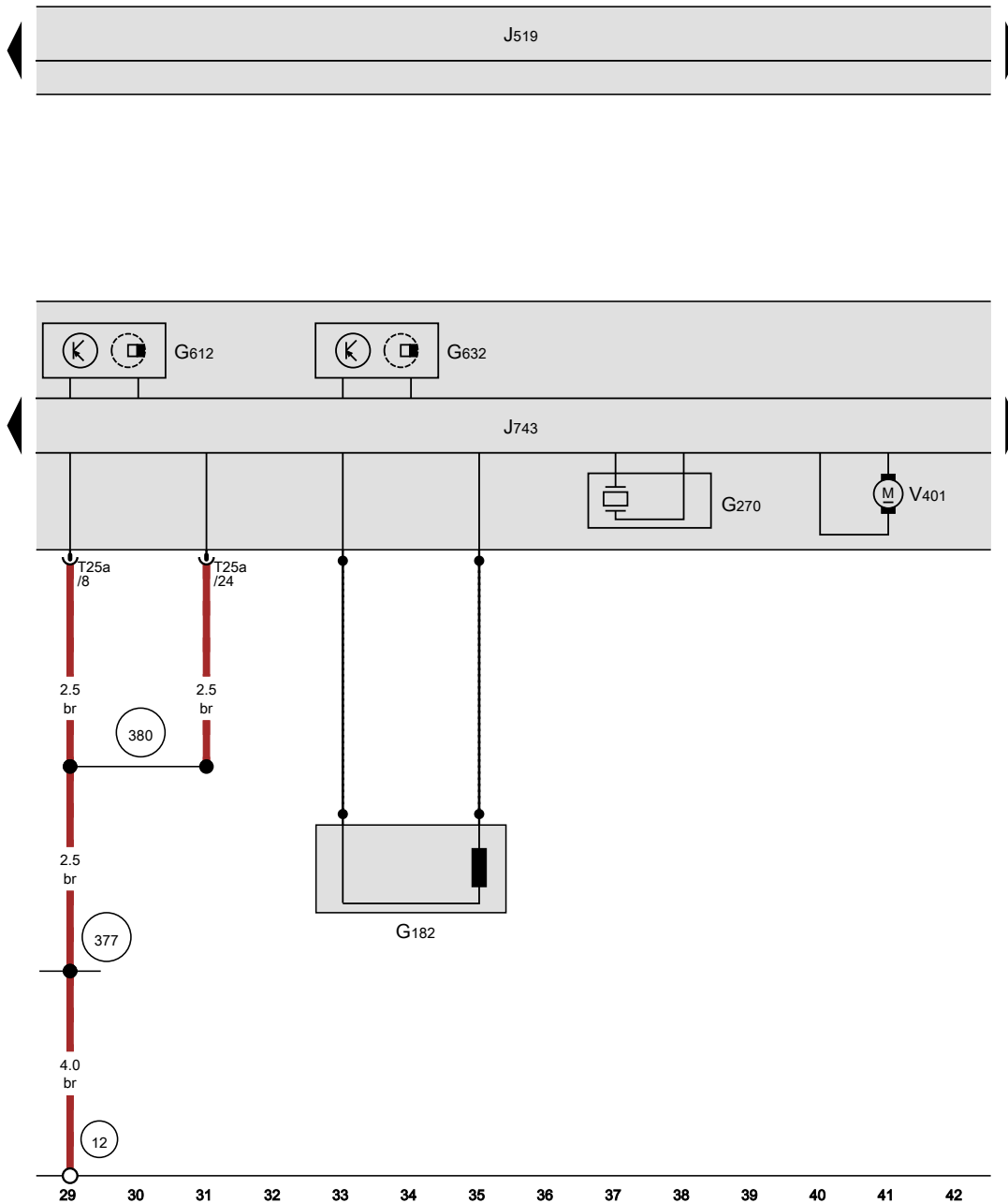
- ws = white
- sw = black
- ro = red
- rt = red
- br = brown
- gn = green
- bl = blue
- gr = grey
- li = purple
- vi = purple
- ge = yellow
- or = orange
- rs = pink

[NH0-088030216]

Gearbox input speed sender, Gearbox hydraulic pressure sender, Mechatronic unit for dual clutch gearbox, Hydraulic pump motor

- G182 Gearbox input speed sender
- G270 Gearbox hydraulic pressure sender
- G612 Gearbox input speed sender 2
- G632 Gearbox input speed sender 1
- J519 Onboard supply control unit
- J743 Mechatronic unit for dual clutch gearbox
- T25a 25-pin connector
- V401 Hydraulic pump motor

- 12 Earth point, on left in engine compartment
- 377 Earth connection 12, in main wiring harness
- 380 Earth connection 15, in main wiring harness



- ws = white
- sw = black
- ro = red
- rt = red
- br = brown
- gn = green
- bl = blue
- gr = grey
- li = purple
- vi = purple
- ge = yellow
- or = orange
- rs = pink

[NH0-088040216]

Selector lever, Selector lever locked in position P switch, Mechatronic unit for dual clutch gearbox, Ignition key withdrawal lock solenoid

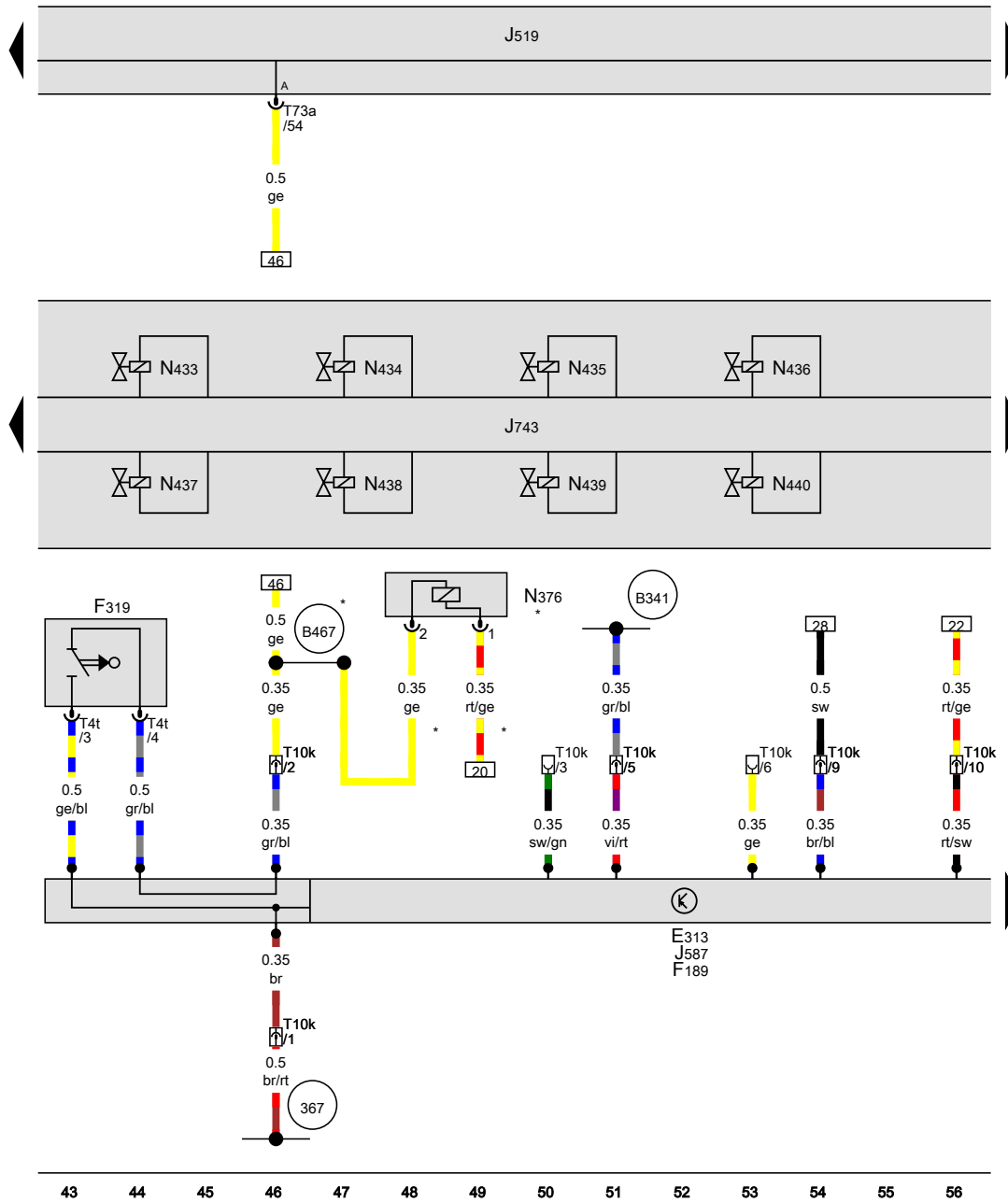
- E313 Selector lever
- F189 Tiptronic switch
- F319 Selector lever locked in position P switch
- J519 Onboard supply control unit
- J587 Selector lever sensors control unit
- J743 Mechatronic unit for dual clutch gearbox
- N376 Ignition key withdrawal lock solenoid
- N433 Valve 1 in sub-gearbox 1
- N434 Valve 2 in sub-gearbox 1
- N435 Valve 3 in sub-gearbox 1
- N436 Valve 4 in sub-gearbox 1
- N437 Valve 1 in sub-gearbox 2
- N438 Valve 2 in sub-gearbox 2
- N439 Valve 3 in sub-gearbox 2
- N440 Valve 4 in sub-gearbox 2
- T4t 4-pin connector
- T10k 10-pin connector
- T73a 73-pin connector, black

367 Earth connection 2, in main wiring harness

B341 Connection 2 (58d), in main wiring harness

B467 Connection 3, in main wiring harness

* Only models with no entry and start authorisation

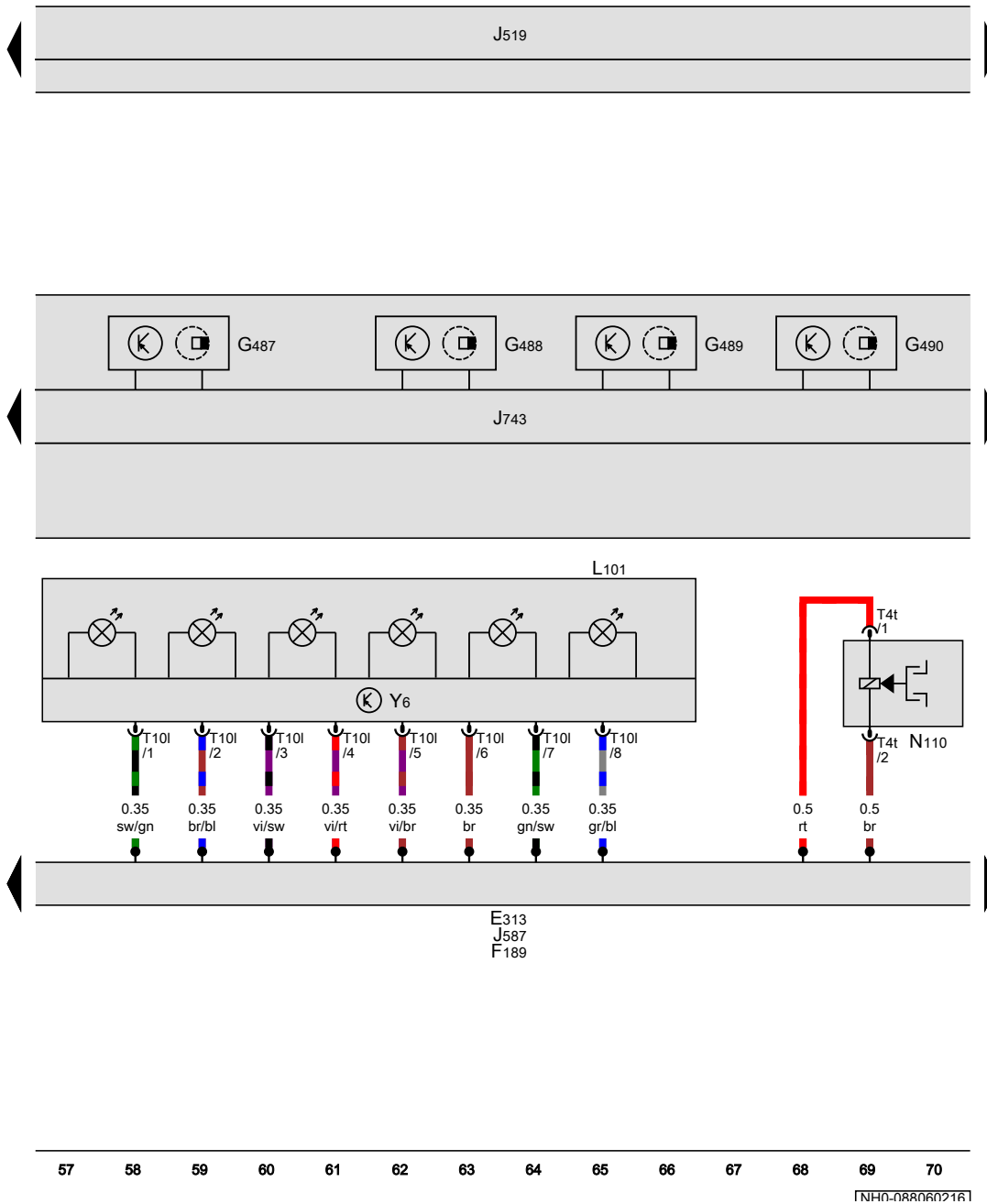


- ws = white
- sw = black
- ro = red
- rt = red
- br = brown
- gn = green
- bl = blue
- gr = grey
- li = purple
- vi = purple
- ge = yellow
- or = orange
- rs = pink

1NH0-088050216

Selector lever, Mechatronic unit for dual clutch gearbox, Selector lever lock solenoid, Selector lever position display

- E313 Selector lever
- F189 Tiptronic switch
- G487 Gear selector movement sensor 1
- G488 Gear selector movement sensor 2
- G489 Gear selector movement sensor 3
- G490 Gear selector movement sensor 4
- J519 Onboard supply control unit
- J587 Selector lever sensors control unit
- J743 Mechatronic unit for dual clutch gearbox
- L101 Selector lever display illumination bulb
- N110 Selector lever lock solenoid
- T4t 4-pin connector
- T10l 10-pin connector
- Y6 Selector lever position display



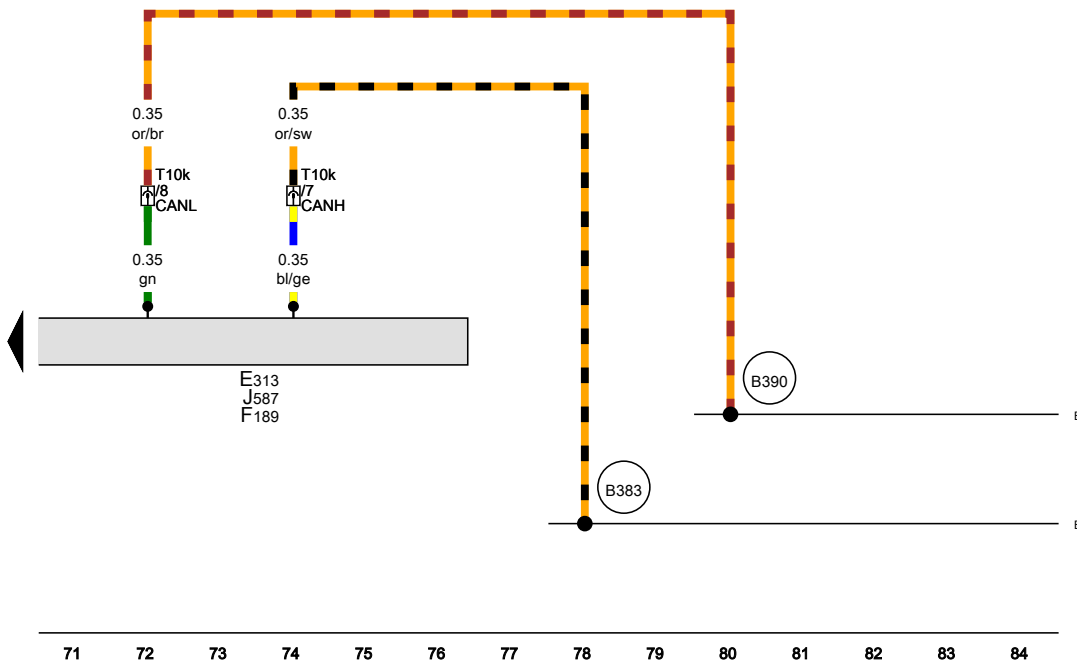
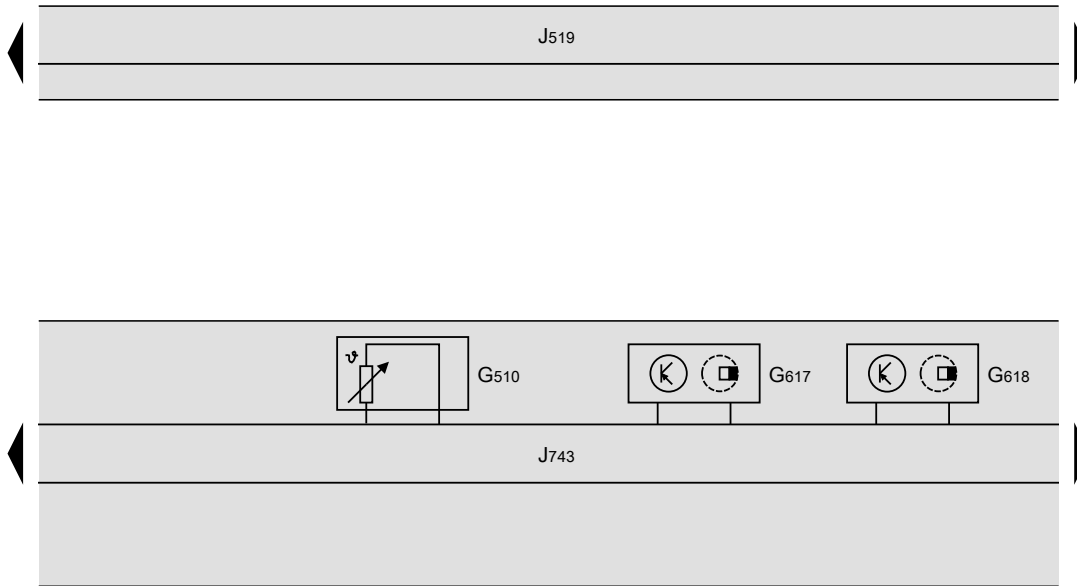
1NH0-088060216

**Selector lever, Temperature sender in control unit,
Mechatronic unit for dual clutch gearbox**

- E313 Selector lever
- F189 Tiptronic switch
- G510 Temperature sender in control unit
- G617 Clutch travel sender 1
- G618 Clutch travel sender 2
- J519 Onboard supply control unit
- J587 Selector lever sensors control unit
- J743 Mechatronic unit for dual clutch gearbox
- T10k 10-pin connector

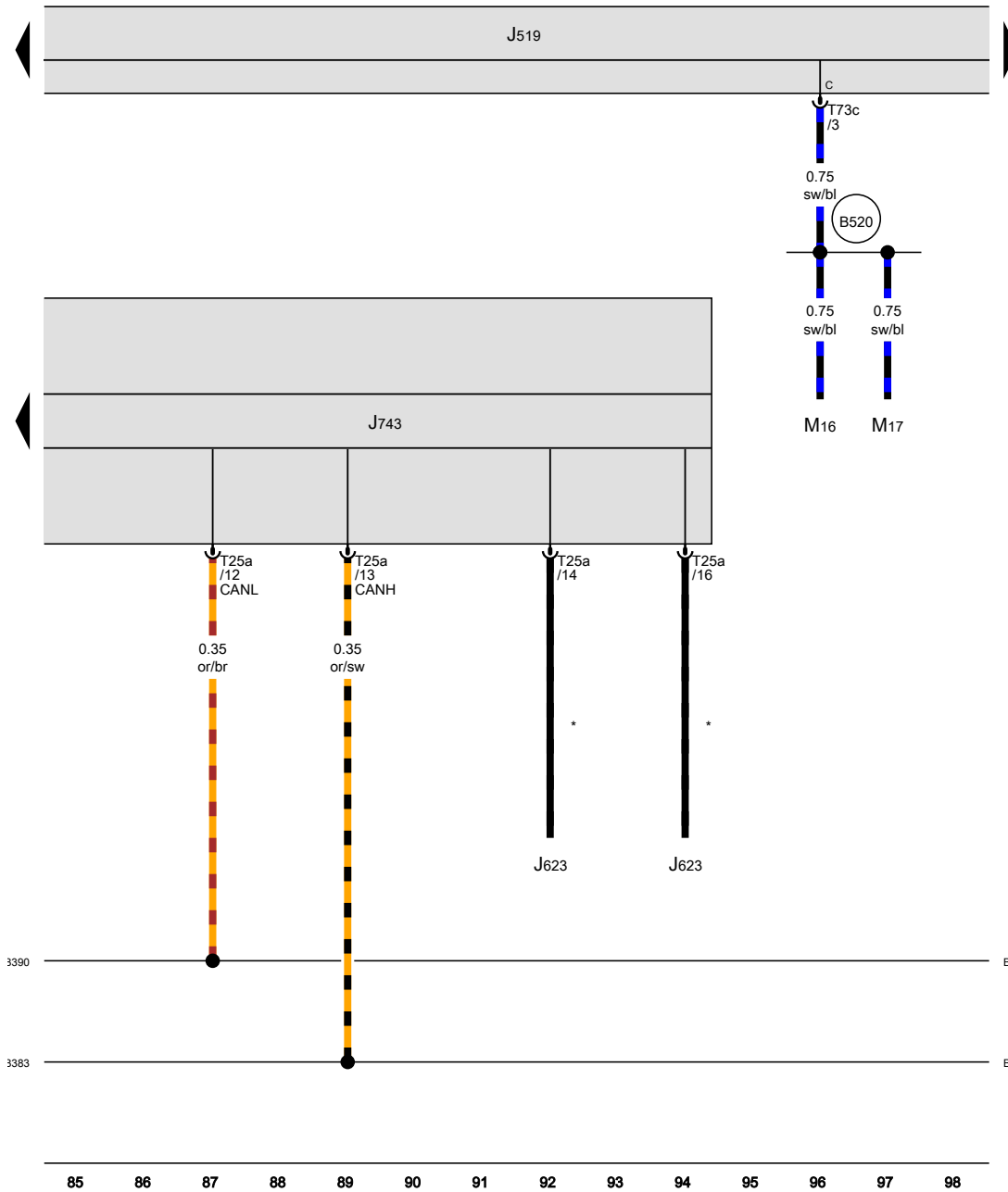
B383 Connection 1 (powertrain CAN bus, high), in main wiring harness

B390 Connection 1 (powertrain CAN bus, low), in main wiring harness



- ws = white
- sw = black
- ro = red
- rt = red
- br = brown
- gn = green
- bl = blue
- gr = grey
- li = purple
- vi = purple
- ge = yellow
- or = orange
- rs = pink

[NH0-088070216]



Mechatronic unit for dual clutch gearbox

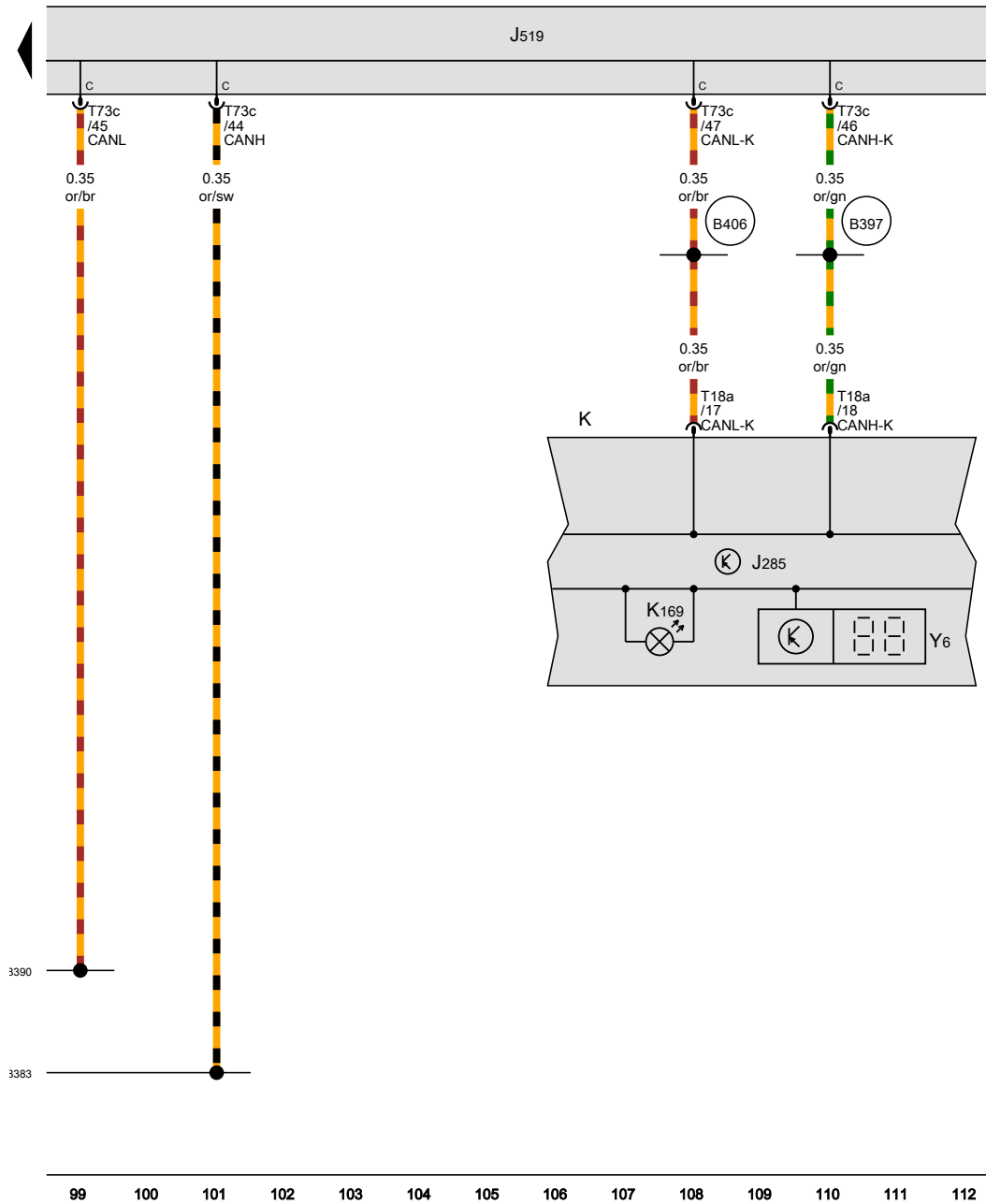
- J519 Onboard supply control unit
- J623 Engine control unit
- J743 Mechatronic unit for dual clutch gearbox
- M16 Left reversing light bulb
- M17 Right reversing light bulb
- T25a 25-pin connector
- T73c 73-pin connector, black

- B383** Connection 1 (powertrain CAN bus, high), in main wiring harness
- B390** Connection 1 (powertrain CAN bus, low), in main wiring harness
- B520** Connection (RL), in main wiring harness

* see applicable current flow diagram for engine

- ws = white
- sw = black
- ro = red
- rt = red
- br = brown
- gn = green
- bl = blue
- gr = grey
- li = purple
- vi = purple
- ge = yellow
- or = orange
- rs = pink

[NH0-088000216]



Dash panel insert

- J285 Control unit in dash panel insert
- J519 Onboard supply control unit
- K Dash panel insert
- K169 Selector lever lock warning lamp
- T18a 18-pin connector
- T73c 73-pin connector, black
- Y6 Selector lever position display

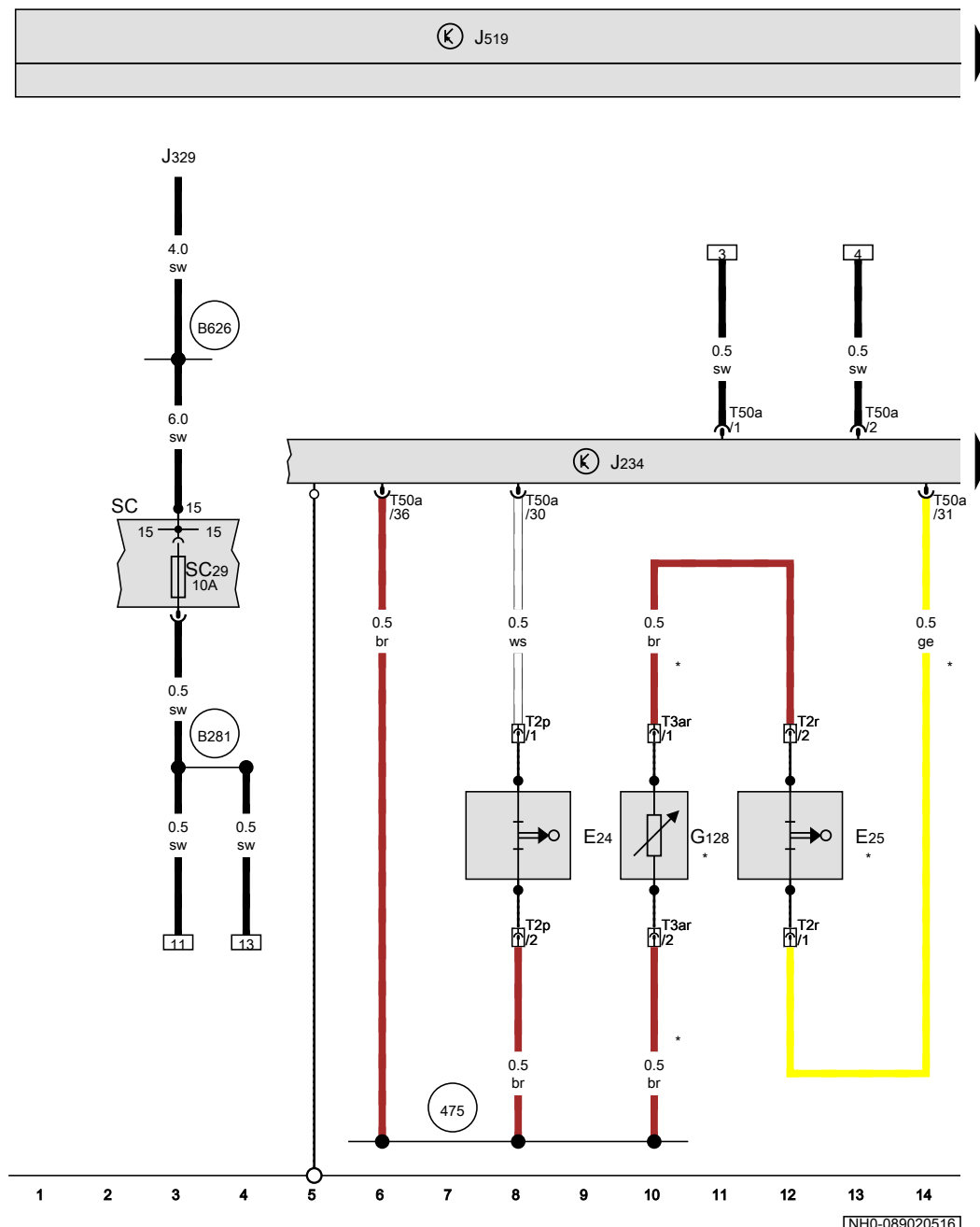
- B383 Connection 1 (powertrain CAN bus, high), in main wiring harness
- B390 Connection 1 (powertrain CAN bus, low), in main wiring harness
- B397 Connection 1 (convenience CAN bus, high), in main wiring harness
- B406 Connection 1 (convenience CAN bus, low), in main wiring harness

- ws = white
- sw = black
- ro = red
- rt = red
- br = brown
- gn = green
- bl = blue
- gr = grey
- li = purple
- vi = purple
- ge = yellow
- or = orange
- rs = pink

[NH0-088090216]

Seat belt warning system

From November 2015



Driver side belt switch, Front passenger side belt switch, Seat occupied sensor, front passenger side, Airbag control unit, Fuse holder C

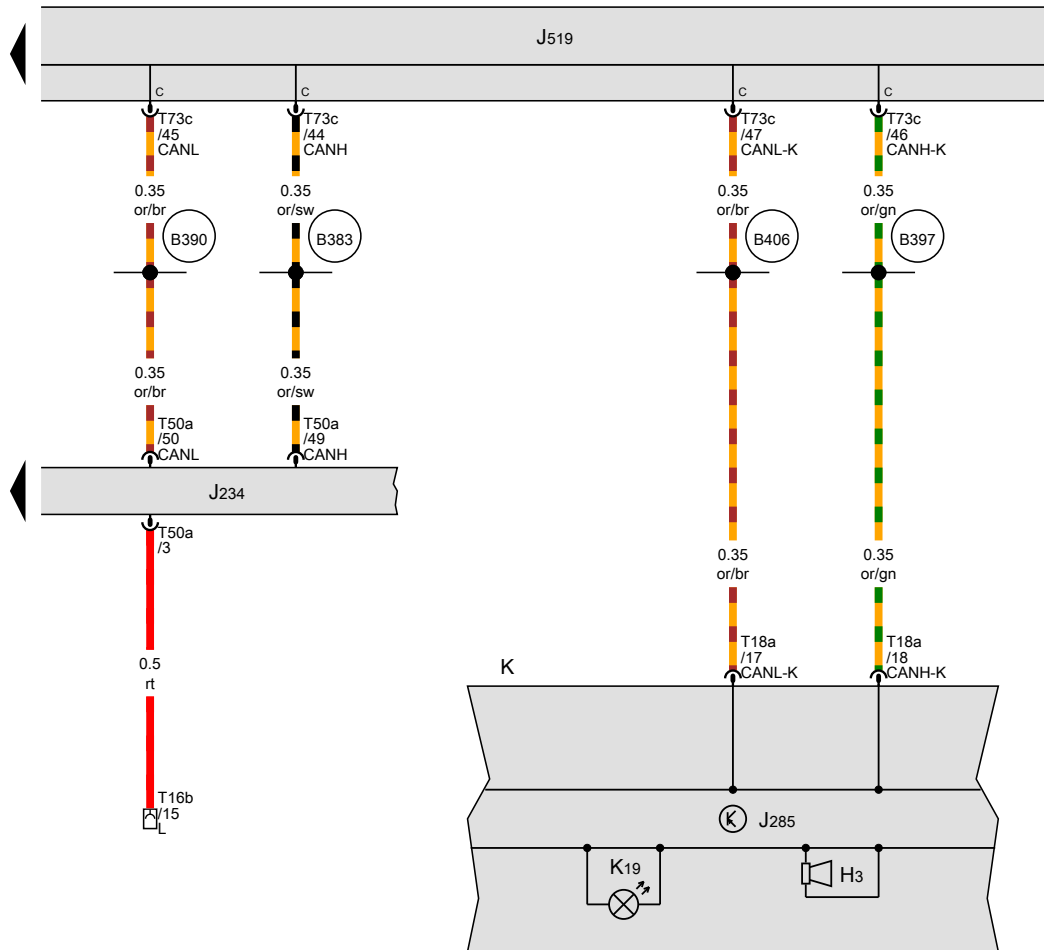
- E24 Driver side belt switch
- E25 Front passenger side belt switch
- G128 Seat occupied sensor, front passenger side
- J234 Airbag control unit
- J329 Terminal 15 voltage supply relay
- J519 Onboard supply control unit
- SC Fuse holder C
- SC29 Fuse 29 on fuse holder C
- T2p 2-pin connector, under driver seat, black
- T2r 2-pin connector, under front passenger seat, black
- T3ar 3-pin connector
- T50a 50-pin connector

- 475 Earth connection (airbag), in main wiring harness
- B281 Positive connection 5 (15a) in main wiring harness
- B626 Positive connection 2 (15), in main wiring harness
- * Only models with passenger side belt switch

- ws = white
- sw = black
- ro = red
- rt = red
- br = brown
- gn = green
- bl = blue
- gr = grey
- li = purple
- vi = purple
- ge = yellow
- or = orange
- rs = pink

[NH0-089020516]

Airbag control unit, Dash panel insert



- H3 Buzzer and gong
- J234 Airbag control unit
- J285 Control unit in dash panel insert
- J519 Onboard supply control unit
- K Dash panel insert
- K19 Seat belt warning system warning lamp
- T16b 16-pin connector, on diagnostic connection
- T18a 18-pin connector
- T50a 50-pin connector
- T73c 73-pin connector, black

- B383 Connection 1 (powertrain CAN bus, high), in main wiring harness
- B390 Connection 1 (powertrain CAN bus, low), in main wiring harness
- B397 Connection 1 (convenience CAN bus, high), in main wiring harness
- B406 Connection 1 (convenience CAN bus, low), in main wiring harness

- ws = white
- sw = black
- ro = red
- rt = red
- br = brown
- gn = green
- bl = blue
- gr = grey
- li = purple
- vi = purple
- ge = yellow
- or = orange
- rs = pink

15 16 17 18 19 20 21 22 23 24 25 26 27 28

[NH0-089030516]

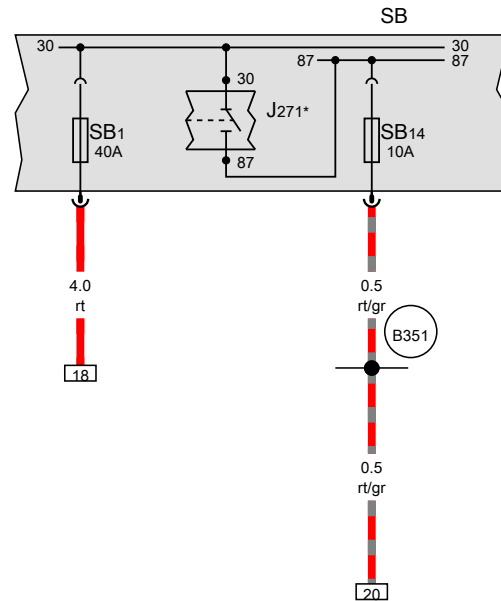
Radiator fan with no air conditioning system , CZCA

From November 2015



Fuse holder B

- J271 Main relay
- J519 Onboard supply control unit
- SB Fuse holder B
- SB1 Fuse 1 on fuse holder B
- SB14 Fuse 14 on fuse holder B
- B351** Positive connection 2 (87a) in main wiring harness
- * see applicable current flow diagram for engine



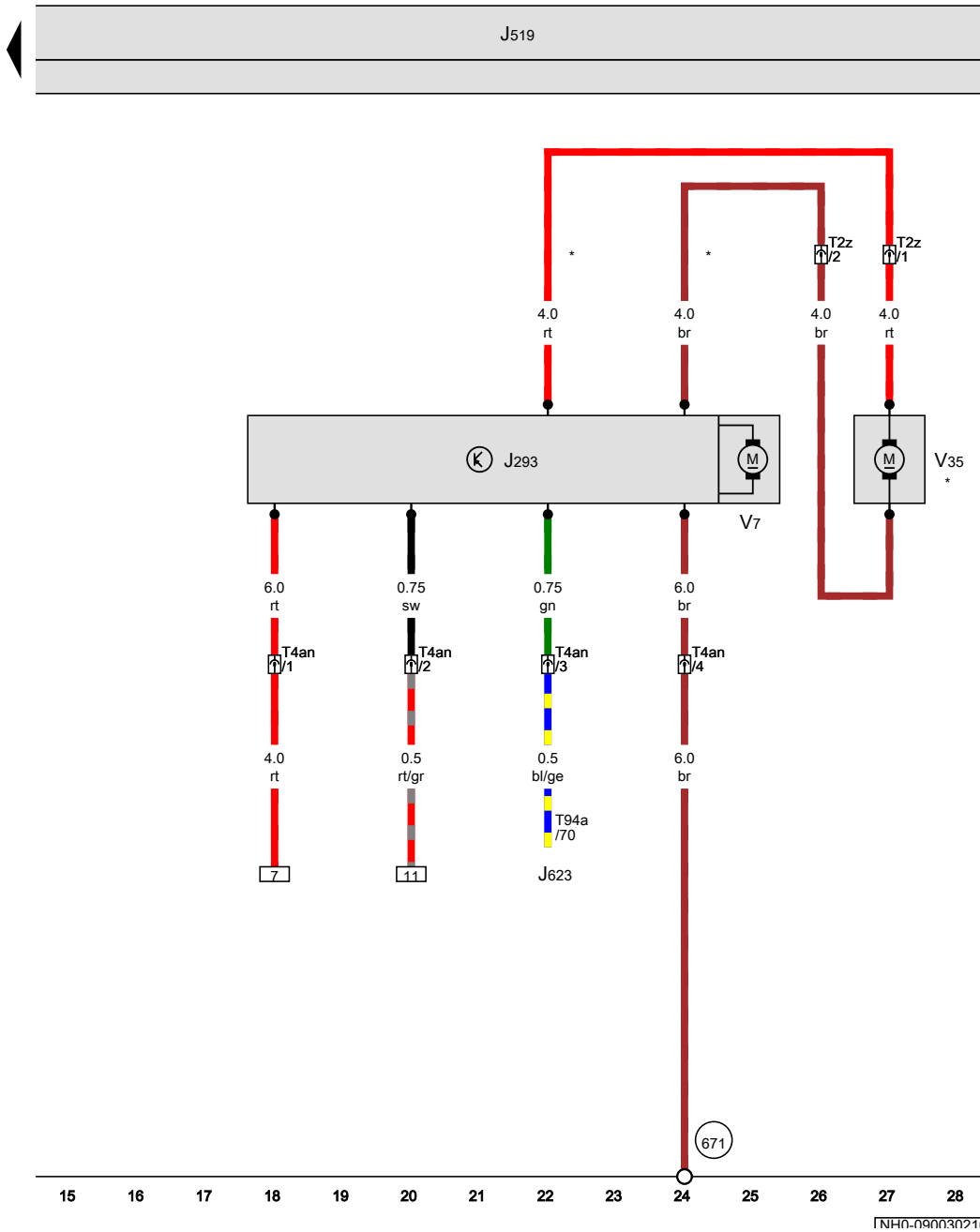
- ws = white
- sw = black
- ro = red
- rt = red
- br = brown
- gn = green
- bl = blue
- gr = grey
- li = purple
- vi = purple
- ge = yellow
- or = orange
- rs = pink

1 2 3 4 5 6 7 8 9 10 11 12 13 14

[NH0-090020216]

Radiator fan control unit, Radiator fan, Right radiator fan

- J293 Radiator fan control unit
- J519 Onboard supply control unit
- J623 Engine control unit
- T2z 2-pin connector, on radiator fan
- T4an 4-pin connector
- T94a 94-pin connector
- V7 Radiator fan
- V35 Right radiator fan
- 671 Earth point 1, on front of left longitudinal member
- * Only models with two radiator fans



[NH0-090030216]

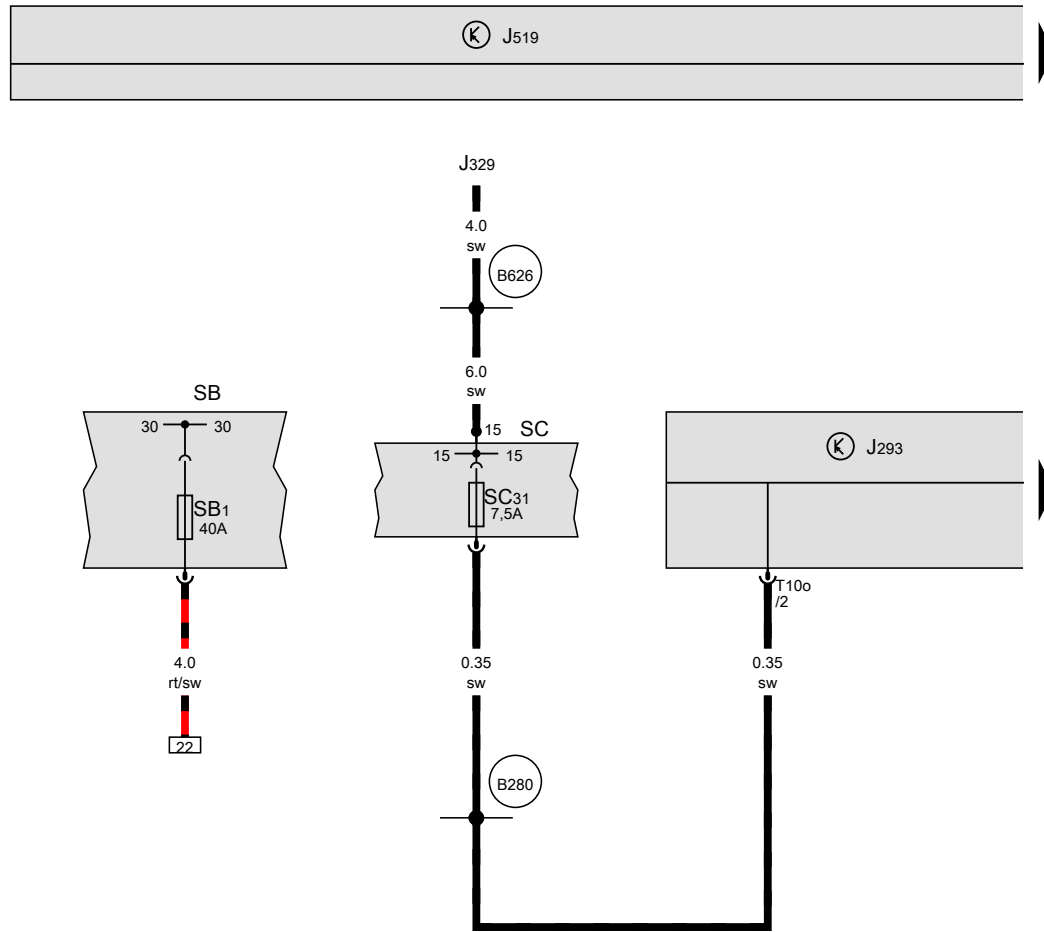
Radiator fan with no air conditioning system , CUSB

From November 2015

Radiator fan control unit, Fuse holder B, Fuse holder C

- J293 Radiator fan control unit
- J329 Terminal 15 voltage supply relay
- J519 Onboard supply control unit
- SB Fuse holder B
- SB1 Fuse 1 on fuse holder B
- SC Fuse holder C
- SC31 Fuse 31 on fuse holder C
- T10o 10-pin connector

- B280 Positive connection 4 (15a) in main wiring harness
- B626 Positive connection 2 (15), in main wiring harness



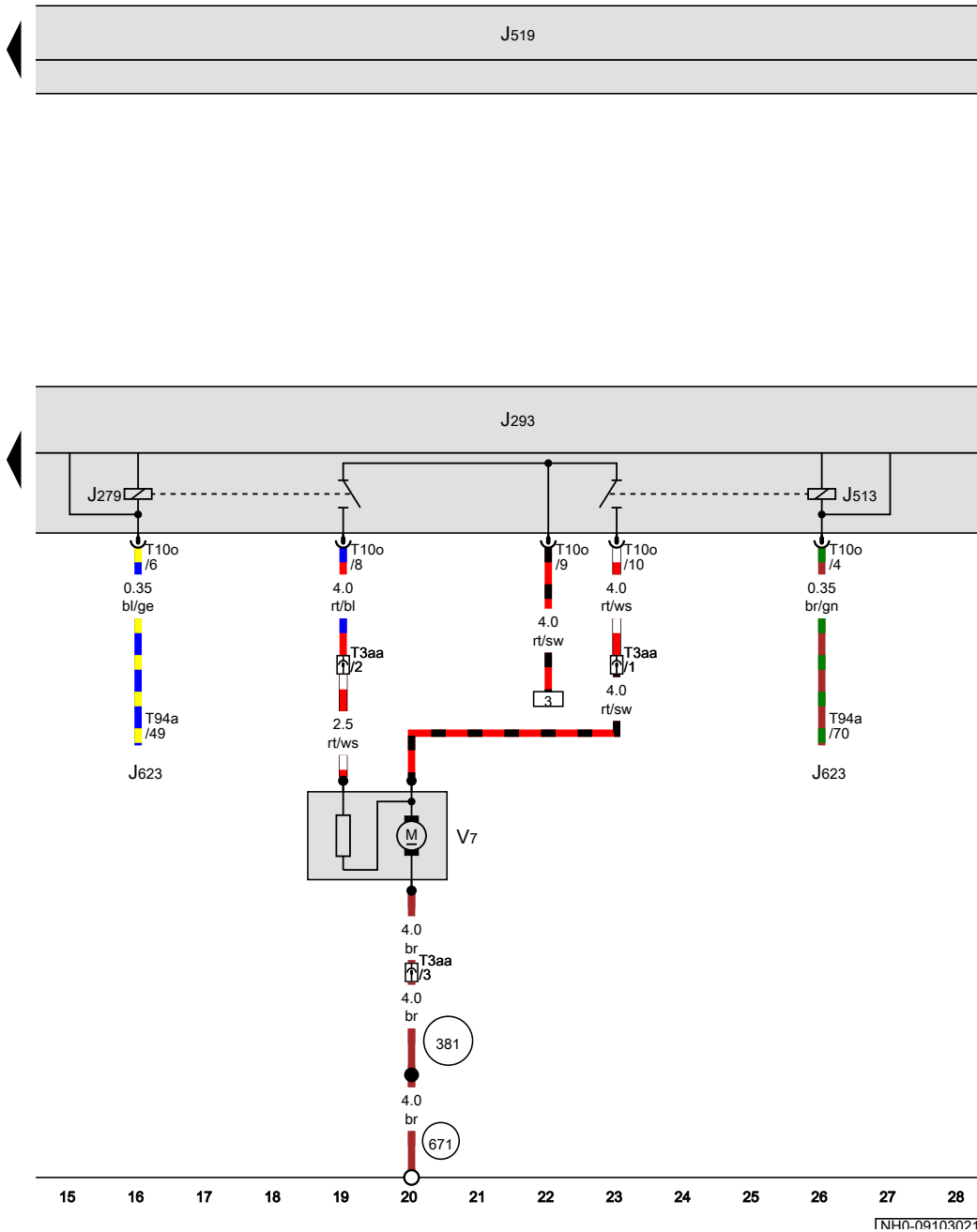
- ws = white
- sw = black
- ro = red
- rt = red
- br = brown
- gn = green
- bl = blue
- gr = grey
- li = purple
- vi = purple
- ge = yellow
- or = orange
- rs = pink

Radiator fan control unit, Radiator fan

- J279 Radiator fan V7 and V35 relay - 1st speed
- J293 Radiator fan control unit
- J513 Radiator fan V7 and V35 relay, 2nd speed
- J519 Onboard supply control unit
- J623 Engine control unit
- T3aa 3-pin connector, on radiator fan
- T10o 10-pin connector
- T94a 94-pin connector
- V7 Radiator fan

381 Earth connection 16, in main wiring harness

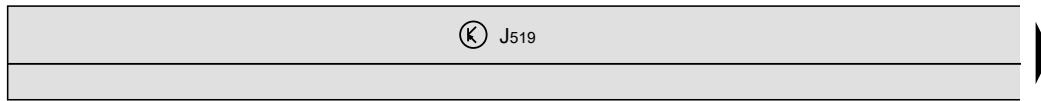
671 Earth point 1, on front of left longitudinal member



[NH0-0910302161]

Radiator fan with no air conditioning system , CXMA

From November 2015



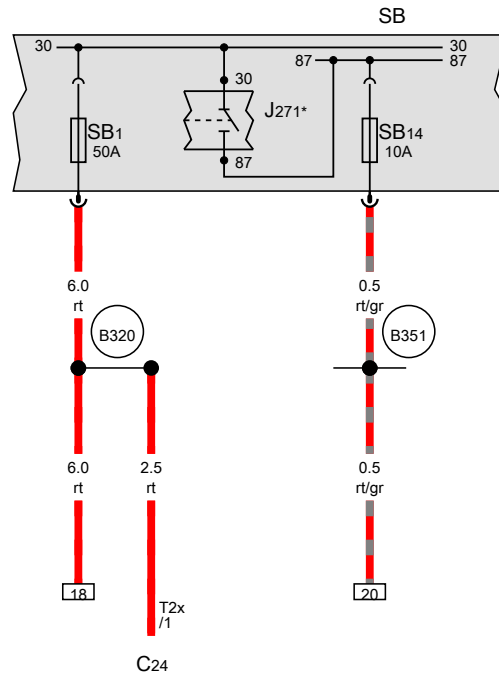
Fuse holder B

- C24 Suppression filter
- J271 Main relay
- J519 Onboard supply control unit
- SB Fuse holder B
- SB1 Fuse 1 on fuse holder B
- SB14 Fuse 14 on fuse holder B
- T2x 2-pin connector

B320 Positive connection 6 (30a) in main wiring harness

B351 Positive connection 2 (87a) in main wiring harness

* see applicable current flow diagram for engine



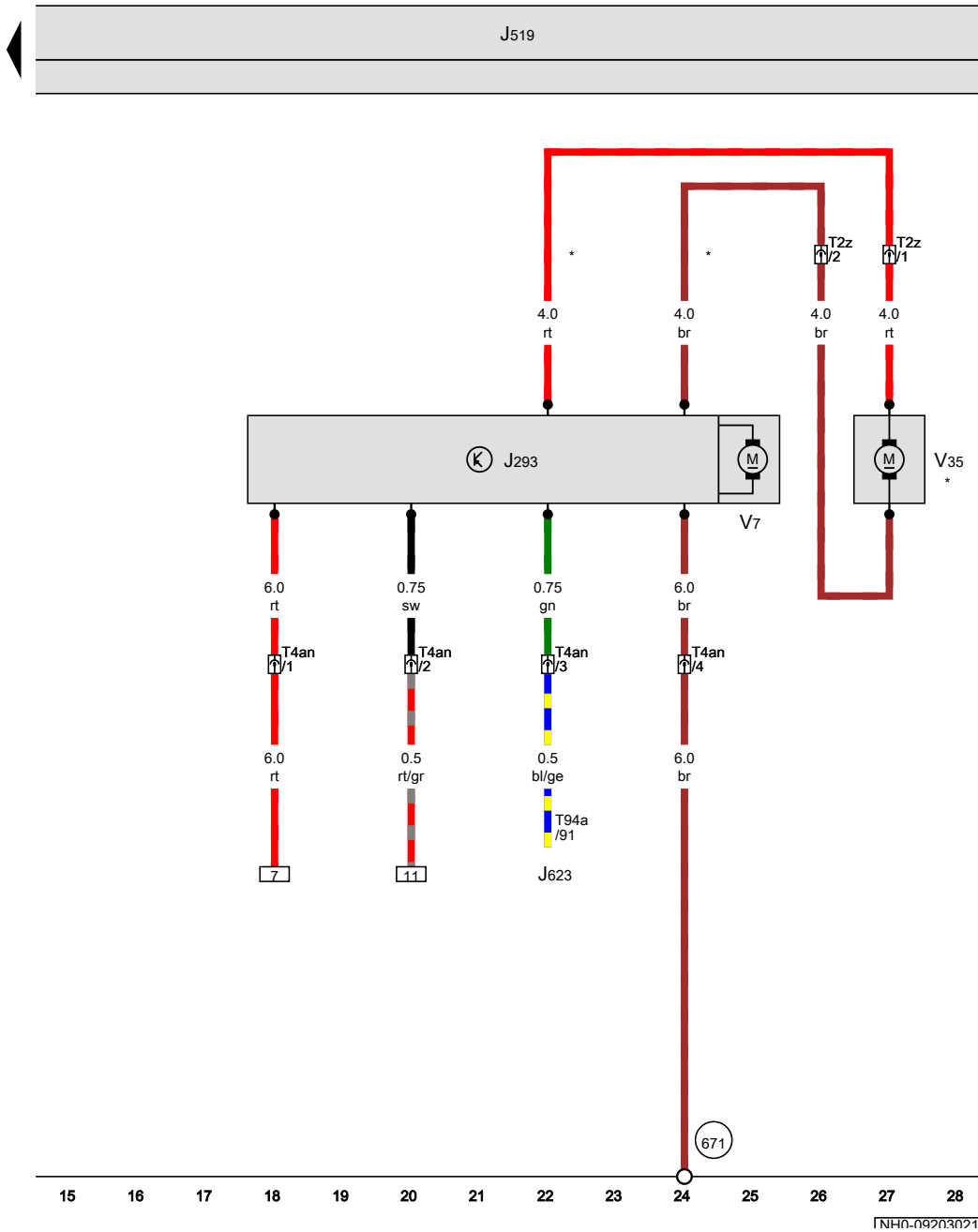
- ws = white
- sw = black
- ro = red
- rt = red
- br = brown
- gn = green
- bl = blue
- gr = grey
- li = purple
- vi = purple
- ge = yellow
- or = orange
- rs = pink

1 2 3 4 5 6 7 8 9 10 11 12 13 14

[NH0-092020216]

Radiator fan control unit, Radiator fan, Right radiator fan

- J293 Radiator fan control unit
- J519 Onboard supply control unit
- J623 Engine control unit
- T2z 2-pin connector, on radiator fan
- T4an 4-pin connector
- T94a 94-pin connector
- V7 Radiator fan
- V35 Right radiator fan
- 671 Earth point 1, on front of left longitudinal member
- * Only models with two radiator fans



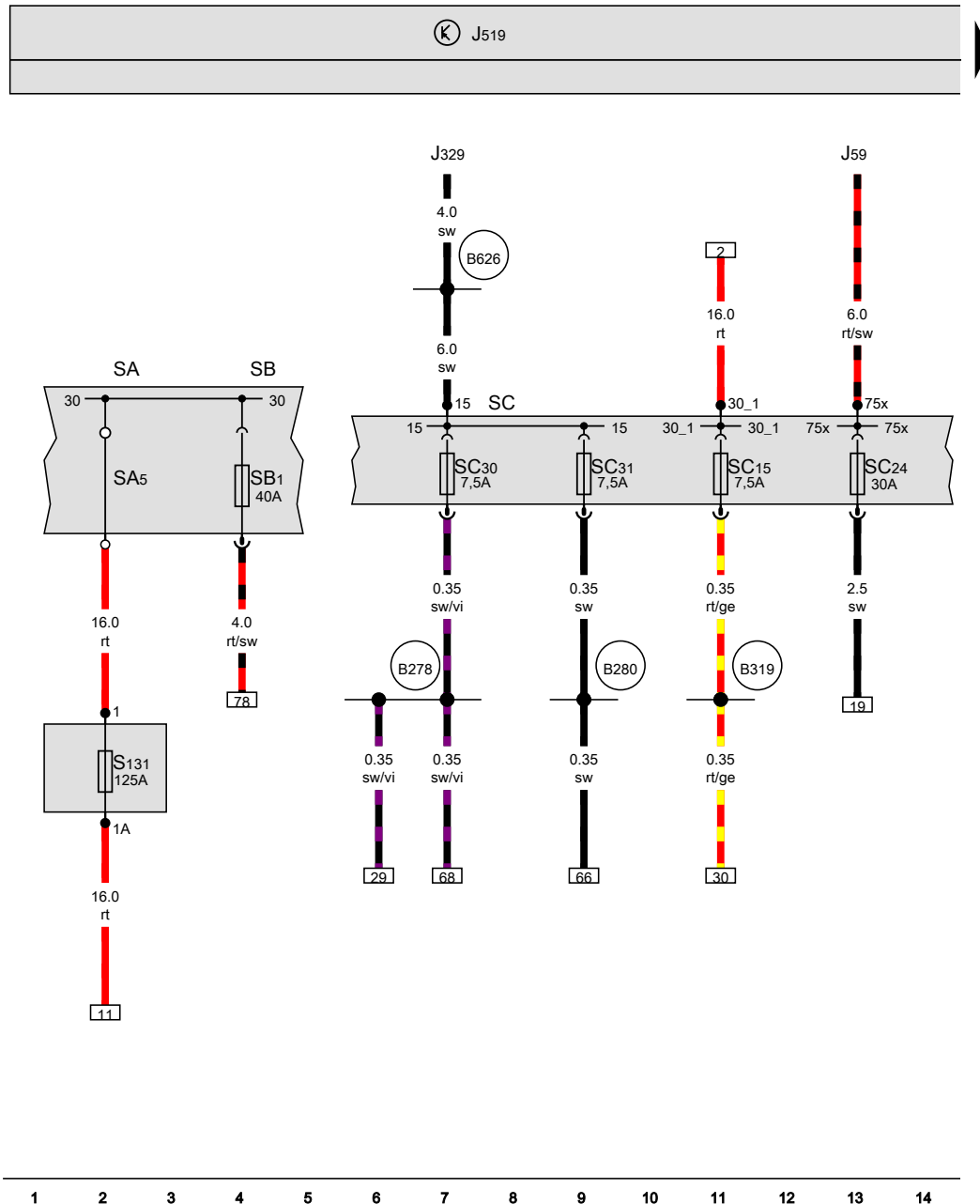
[NH0-092030216]

Climatic , CJZC,CJZD
From November 2015

Fuse holder A, Fuse holder B, Fuse holder C

- J59 X-contact relief relay
- J329 Terminal 15 voltage supply relay
- J519 Onboard supply control unit
- SA Fuse holder A
- SB Fuse holder B
- SB1 Fuse 1 on fuse holder B
- SA5 Fuse 5 in fuse holder A
- S131 Fuse 1, in main wiring harness
- SC Fuse holder C
- SC15 Fuse 15 on fuse holder C
- SC24 Fuse 24 on fuse holder C
- SC30 Fuse 30 on fuse holder C
- SC31 Fuse 31 on fuse holder C

- (B278) Positive connection 2 (15a) in main wiring harness
- (B280) Positive connection 4 (15a) in main wiring harness
- (B319) Positive connection 5 (30a) in main wiring harness
- (B626) Positive connection 2 (15), in main wiring harness

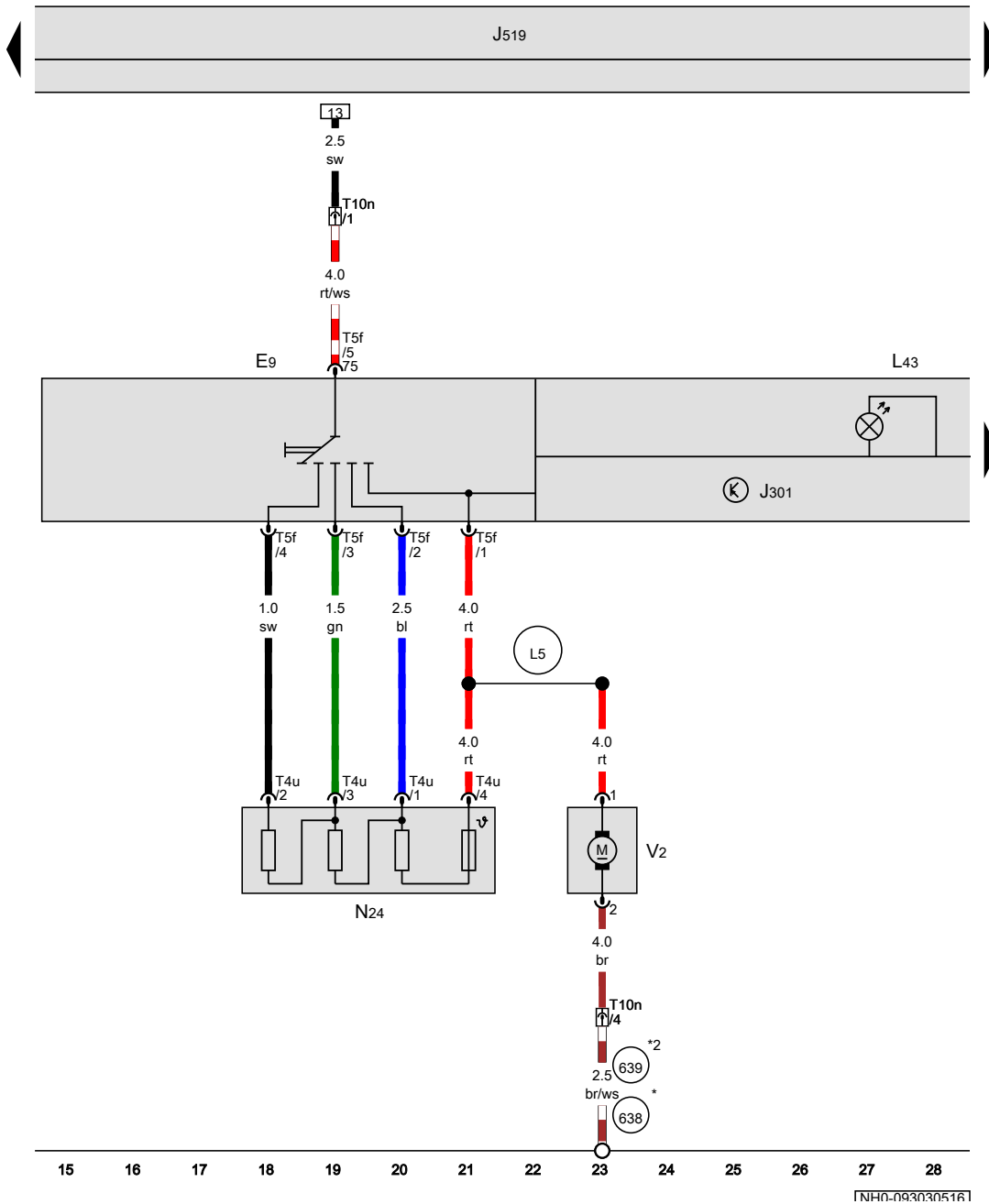


- ws = white
- sw = black
- ro = red
- rt = red
- br = brown
- gn = green
- bl = blue
- gr = grey
- li = purple
- vi = purple
- ge = yellow
- or = orange
- rs = pink

Air conditioning system control unit, Fresh air blower series resistor with overheating fuse, Fresh air blower

- E9 Fresh air blower switch
- J301 Air conditioning system control unit
- J519 Onboard supply control unit
- L43 Air conditioning system switch illumination bulb
- N24 Fresh air blower series resistor with overheating fuse
- T4u 4-pin connector
- T5f 5-pin connector
- T10n 10-pin connector, behind dash panel
- V2 Fresh air blower

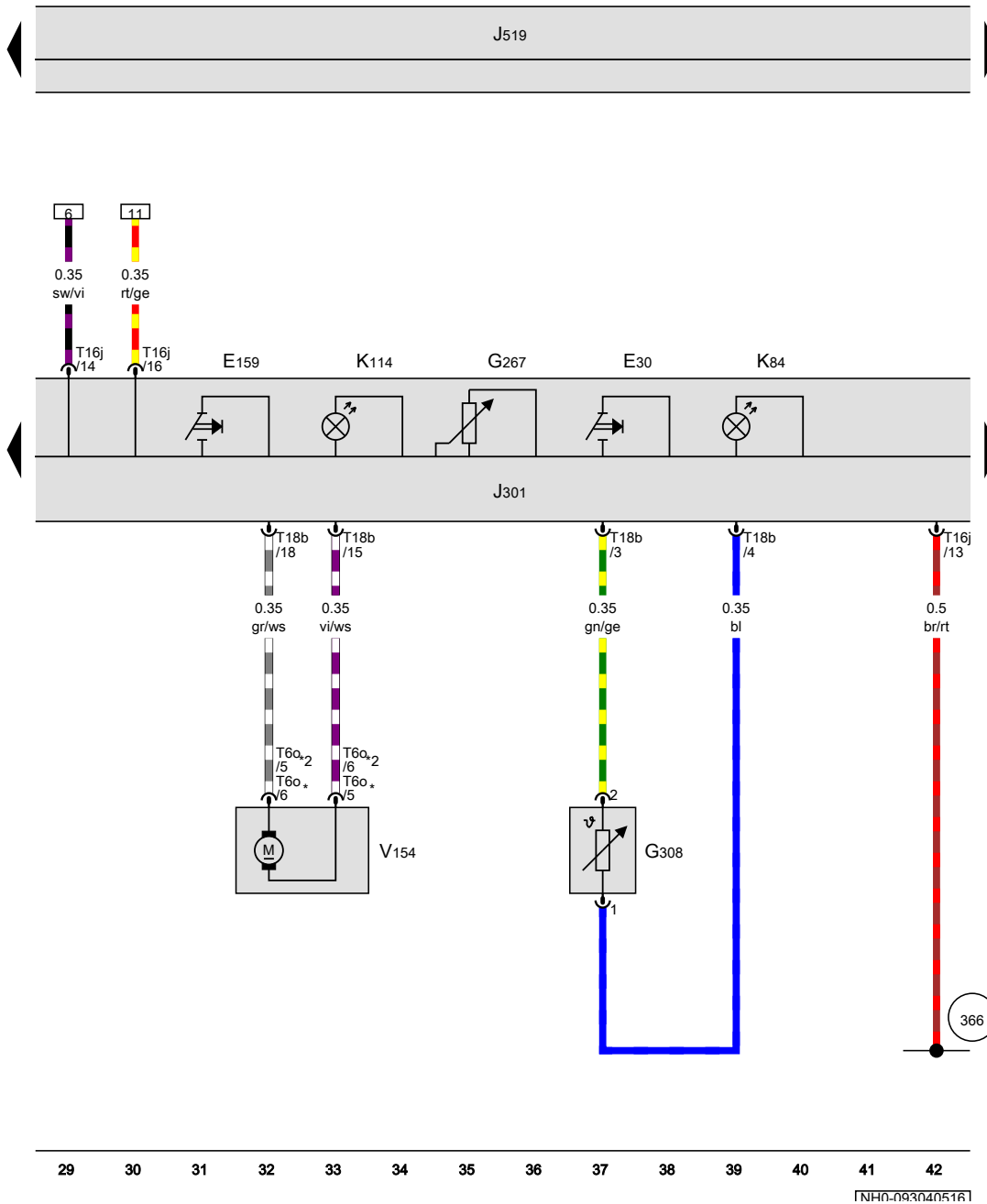
- 638 Earth point, on right A-pillar
- 639 Earth point, left A-pillar
- L5 Connection 1, in evaporator housing unit wiring harness
- * Only left-hand drive models
- *2 Only right-hand drive models



- ws = white
- sw = black
- ro = red
- rt = red
- br = brown
- gn = green
- bl = blue
- gr = grey
- li = purple
- vi = purple
- ge = yellow
- or = orange
- rs = pink

[NH0-093030516]

Evaporator temperature sensor, Air conditioning system control unit, Fresh air and air recirculation flap control motor



- E30 Air conditioning system switch
- E159 Fresh air and air recirculation flap switch
- G267 Potentiometer for temperature selection rotary knob
- G308 Evaporator temperature sensor
- J301 Air conditioning system control unit
- J519 Onboard supply control unit
- K84 Air conditioning system warning lamp
- K114 Fresh air and air recirculation warning lamp
- T6o 6-pin connector
- T16j 16-pin connector
- T18b 18-pin connector
- V154 Fresh air and air recirculation flap control motor

366 Earth connection 1, in main wiring harness

- * Only left-hand drive models
- *2 Only right-hand drive models

- ws = white
- sw = black
- ro = red
- rt = red
- br = brown
- gn = green
- bl = blue
- gr = grey
- li = purple
- vi = purple
- ge = yellow
- or = orange
- rs = pink

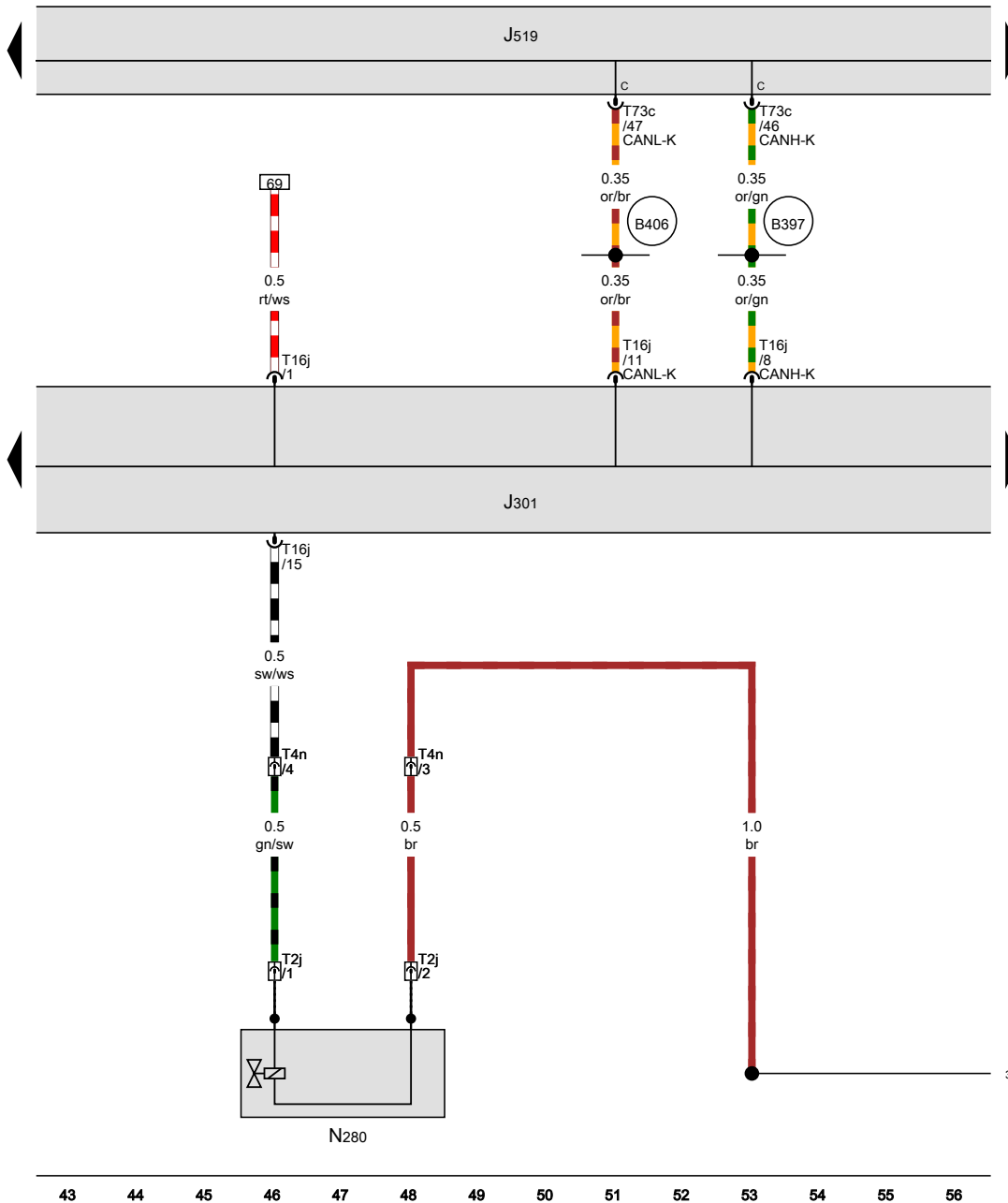
29 30 31 32 33 34 35 36 37 38 39 40 41 42

[NH0-093040516]

Air conditioning system control unit, Air conditioner compressor regulating valve

- J301 Air conditioning system control unit
- J519 Onboard supply control unit
- N280 Air conditioner compressor regulating valve
- T2j 2-pin connector
- T4n 4-pin connector, front left in engine compartment
- T16j 16-pin connector
- T73c 73-pin connector, black

- 381 Earth connection 16, in main wiring harness
- B397 Connection 1 (convenience CAN bus, high), in main wiring harness
- B406 Connection 1 (convenience CAN bus, low), in main wiring harness



- ws = white
- sw = black
- ro = red
- rt = red
- br = brown
- gn = green
- bl = blue
- gr = grey
- li = purple
- vi = purple
- ge = yellow
- or = orange
- rs = pink

[NH0-093050516]

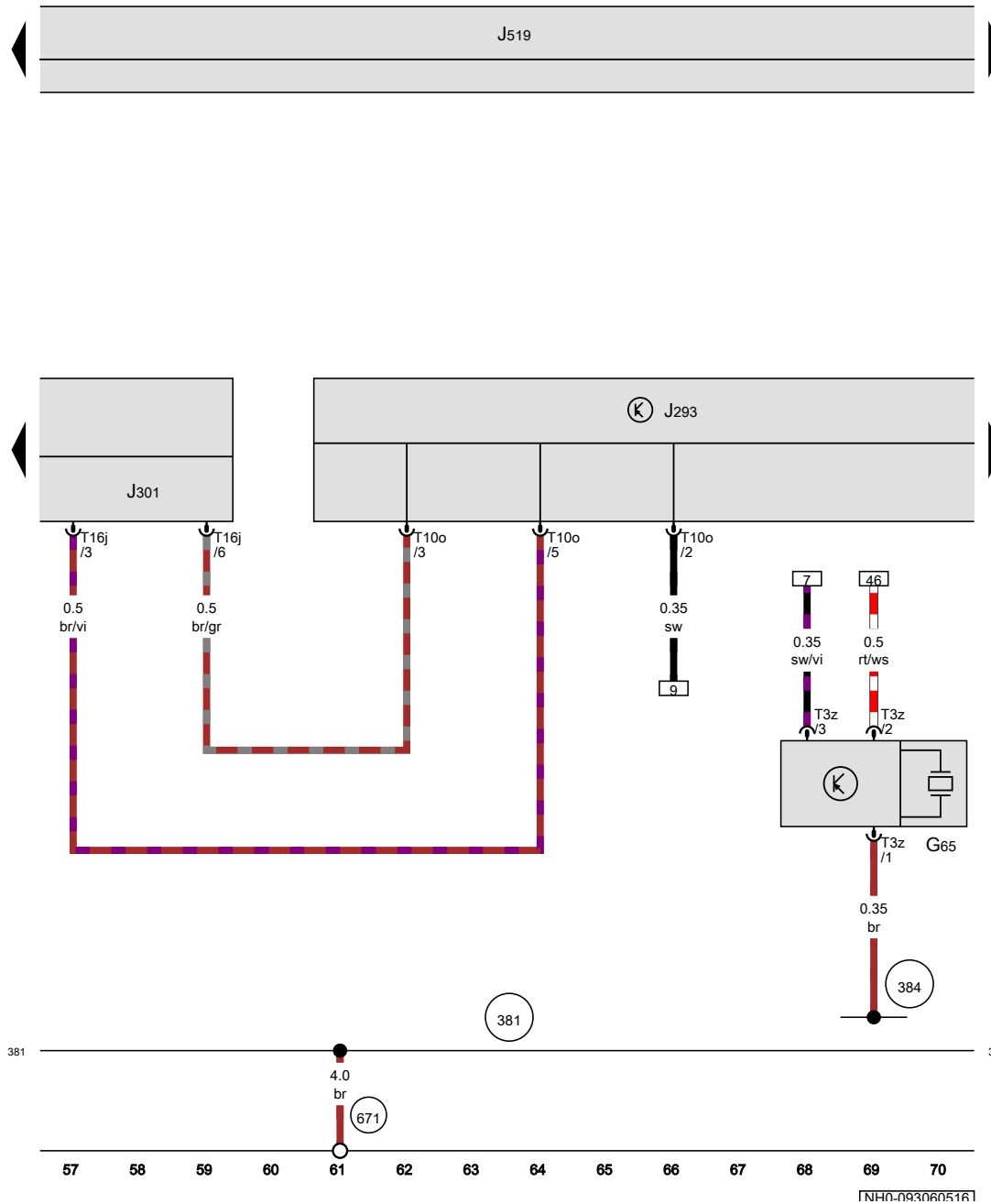
High-pressure sender, Radiator fan control unit, Air conditioning system control unit

- G65 High-pressure sender
- J293 Radiator fan control unit
- J301 Air conditioning system control unit
- J519 Onboard supply control unit
- T3z 3-pin connector
- T10o 10-pin connector
- T16j 16-pin connector

381 Earth connection 16, in main wiring harness

384 Earth connection 19, in main wiring harness

671 Earth point 1, on front of left longitudinal member

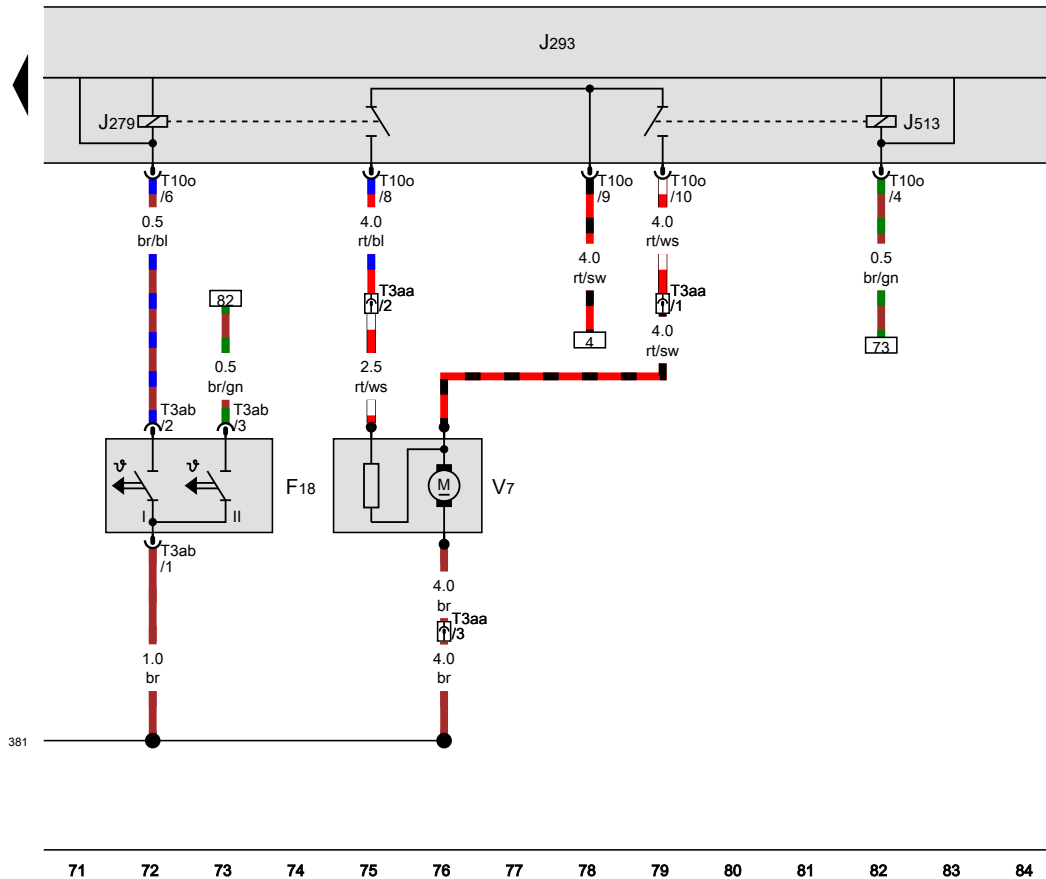
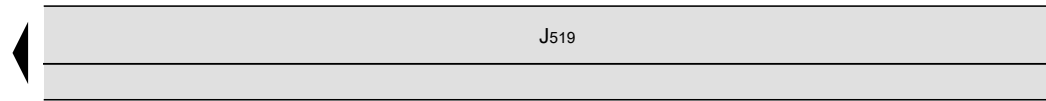


[NH0-093060516]

Radiator fan thermal switch, Radiator fan control unit, Radiator fan

- F18 Radiator fan thermal switch
- J279 Radiator fan V7 and V35 relay - 1st speed
- J293 Radiator fan control unit
- J513 Radiator fan V7 and V35 relay, 2nd speed
- J519 Onboard supply control unit
- T3aa 3-pin connector, on radiator fan
- T3ab 3-pin connector
- T10o 10-pin connector
- V7 Radiator fan

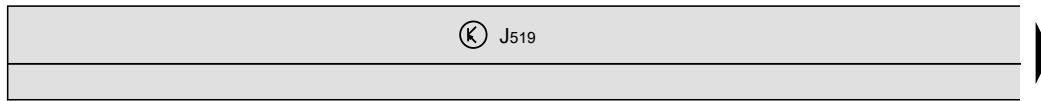
381 Earth connection 16, in main wiring harness



- ws = white
- sw = black
- ro = red
- rt = red
- br = brown
- gn = green
- bl = blue
- gr = grey
- li = purple
- vi = purple
- ge = yellow
- or = orange
- rs = pink

[NH0-093070516]

Climatic , CZCA
From November 2015

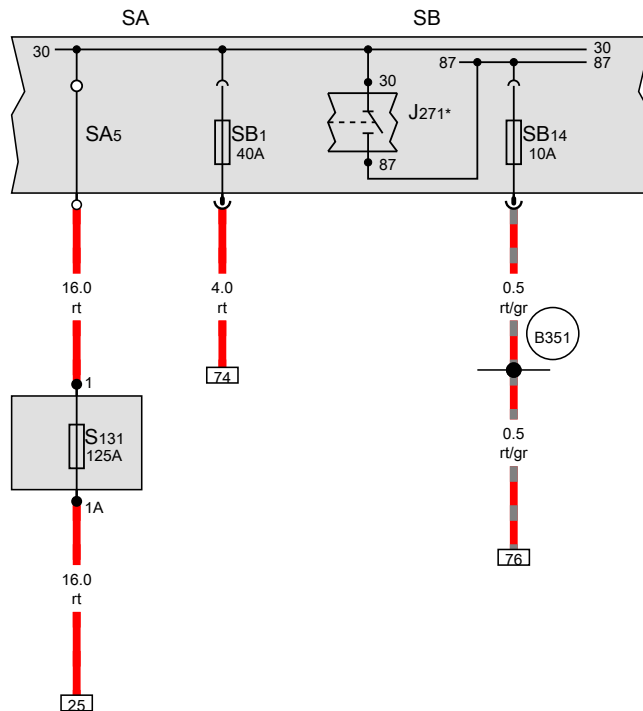


Fuse holder A, Fuse holder B

- J271 Main relay
- J519 Onboard supply control unit
- SA Fuse holder A
- SB1 Fuse 1 on fuse holder B
- SA5 Fuse 5 in fuse holder A
- S131 Fuse 1, in main wiring harness
- SB Fuse holder B
- SB14 Fuse 14 on fuse holder B

B351 Positive connection 2 (87a) in main wiring harness

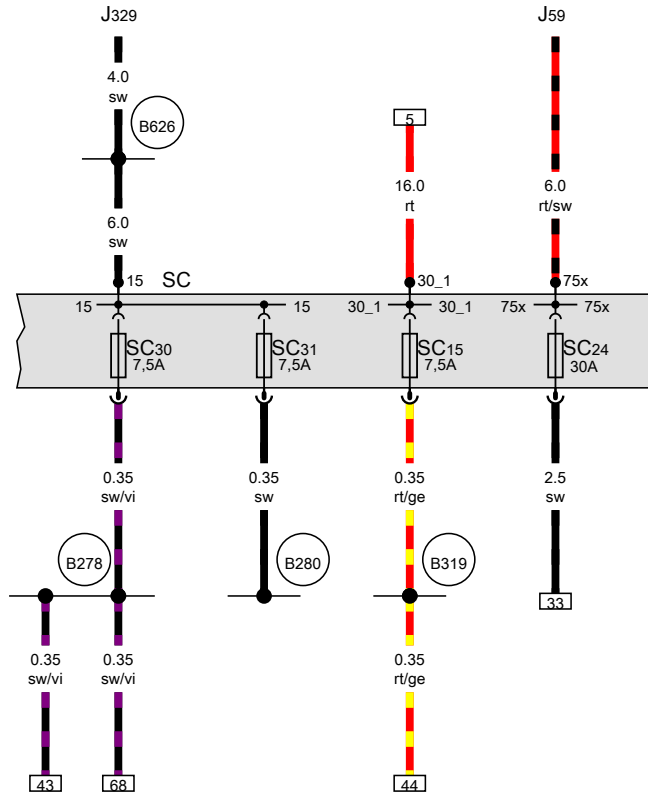
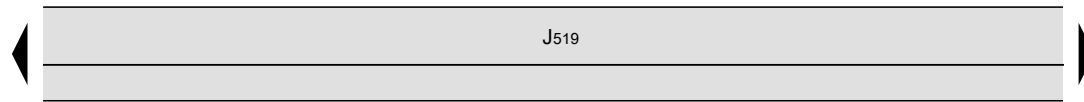
* see applicable current flow diagram for engine



- ws = white
- sw = black
- ro = red
- rt = red
- br = brown
- gn = green
- bl = blue
- gr = grey
- li = purple
- vi = purple
- ge = yellow
- or = orange
- rs = pink

1 2 3 4 5 6 7 8 9 10 11 12 13 14

[NH0-094020516]



Fuse holder C

- J59 X-contact relief relay
- J329 Terminal 15 voltage supply relay
- J519 Onboard supply control unit
- SC Fuse holder C
- SC15 Fuse 15 on fuse holder C
- SC24 Fuse 24 on fuse holder C
- SC30 Fuse 30 on fuse holder C
- SC31 Fuse 31 on fuse holder C

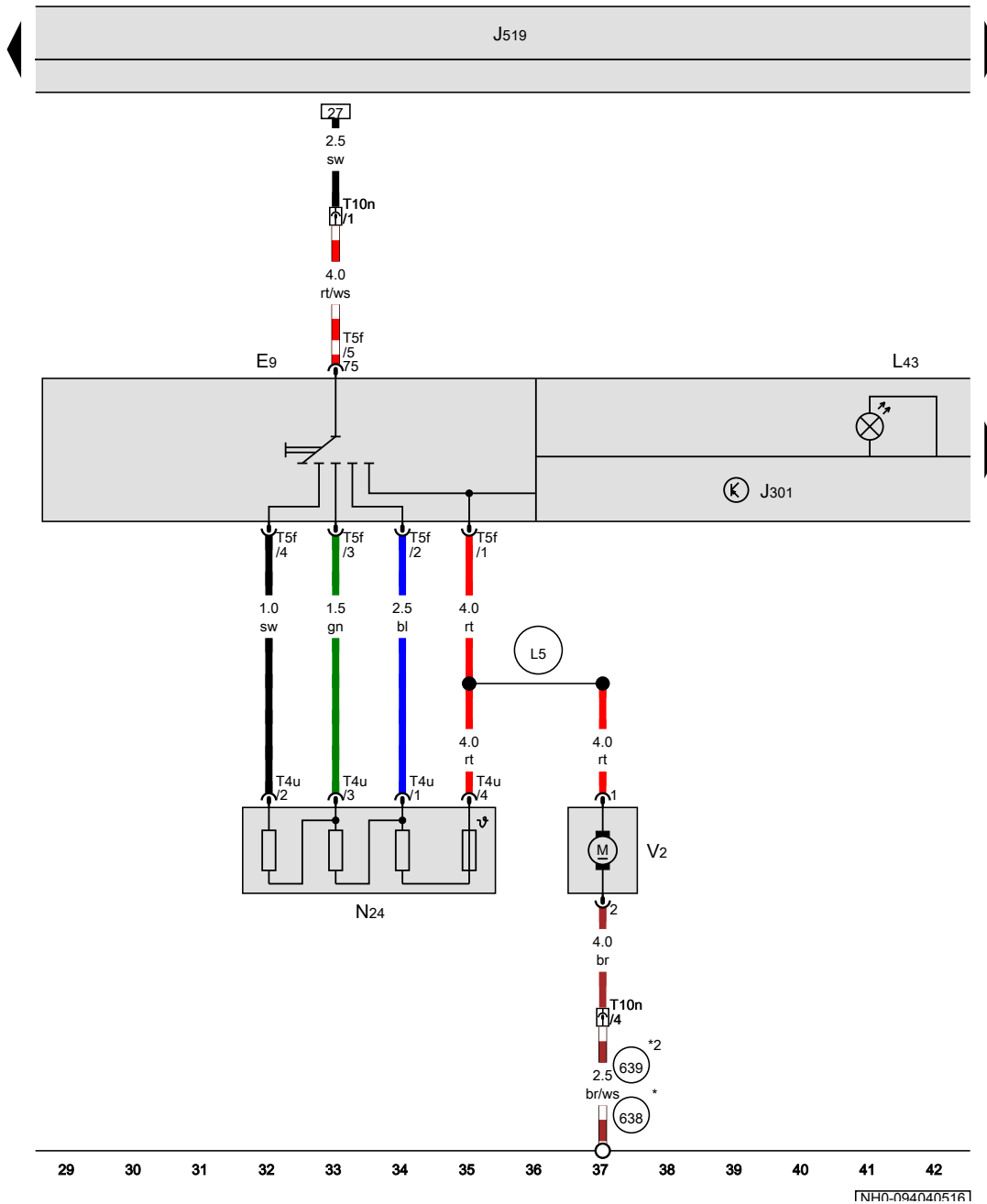
- (B278) Positive connection 2 (15a) in main wiring harness
- (B280) Positive connection 4 (15a) in main wiring harness
- (B319) Positive connection 5 (30a) in main wiring harness
- (B626) Positive connection 2 (15), in main wiring harness

- ws = white
- sw = black
- ro = red
- rt = red
- br = brown
- gn = green
- bl = blue
- gr = grey
- li = purple
- vi = purple
- ge = yellow
- or = orange
- rs = pink

15 16 17 18 19 20 21 22 23 24 25 26 27 28

[NH0-094030516]

Air conditioning system control unit, Fresh air blower series resistor with overheating fuse, Fresh air blower

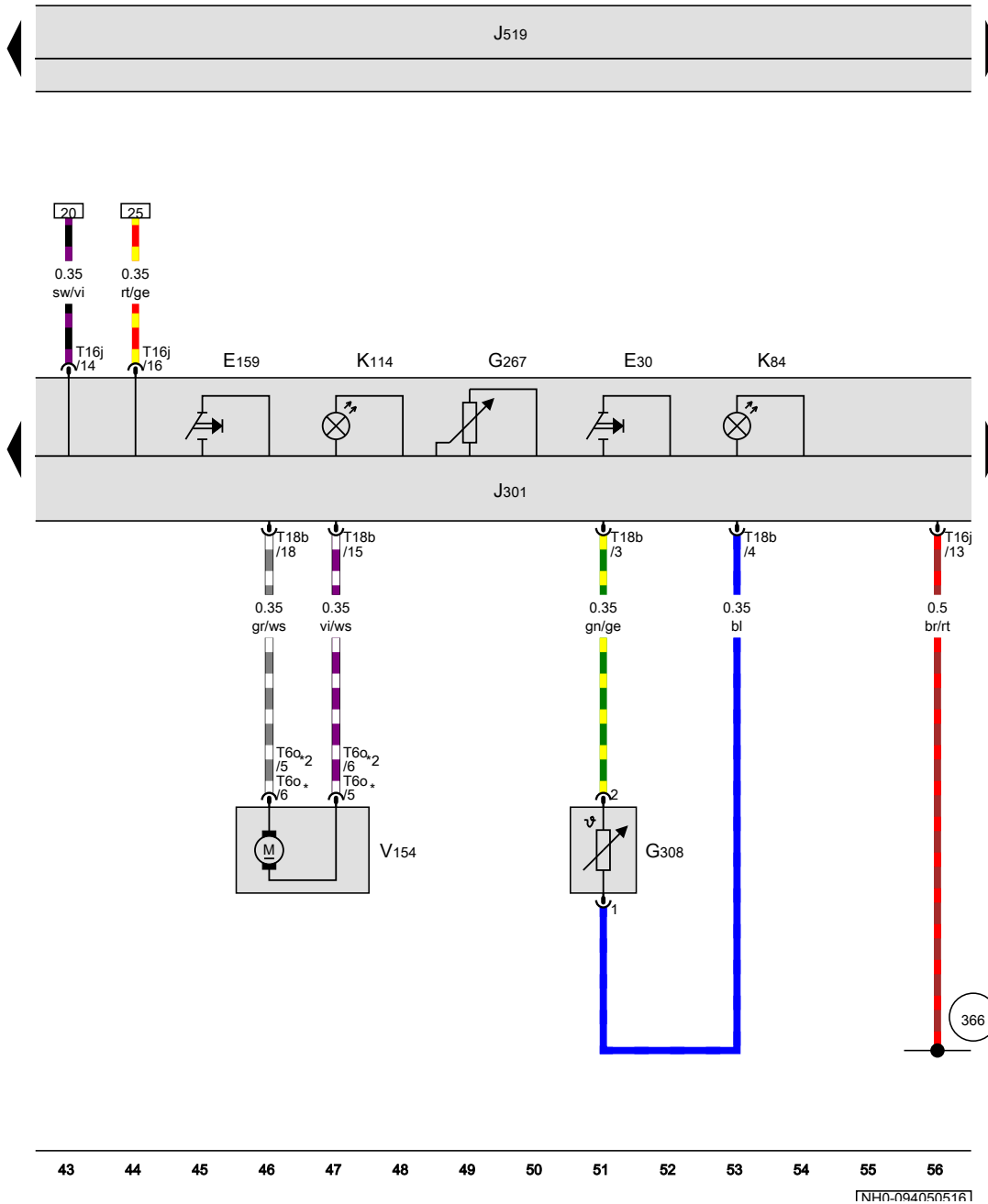


- E9 Fresh air blower switch
- J301 Air conditioning system control unit
- J519 Onboard supply control unit
- L43 Air conditioning system switch illumination bulb
- N24 Fresh air blower series resistor with overheating fuse
- T4u 4-pin connector
- T5f 5-pin connector
- T10n 10-pin connector, behind dash panel
- V2 Fresh air blower

- 638 Earth point, on right A-pillar
- 639 Earth point, left A-pillar
- L5 Connection 1, in evaporator housing unit wiring harness
- * Only left-hand drive models
- *2 Only right-hand drive models

- ws = white
- sw = black
- ro = red
- rt = red
- br = brown
- gn = green
- bl = blue
- gr = grey
- li = purple
- vi = purple
- ge = yellow
- or = orange
- rs = pink

Evaporator temperature sensor, Air conditioning system control unit, Fresh air and air recirculation flap control motor



- E30 Air conditioning system switch
- E159 Fresh air and air recirculation flap switch
- G267 Potentiometer for temperature selection rotary knob
- G308 Evaporator temperature sensor
- J301 Air conditioning system control unit
- J519 Onboard supply control unit
- K84 Air conditioning system warning lamp
- K114 Fresh air and air recirculation warning lamp
- T6o 6-pin connector
- T16j 16-pin connector
- T18b 18-pin connector
- V154 Fresh air and air recirculation flap control motor

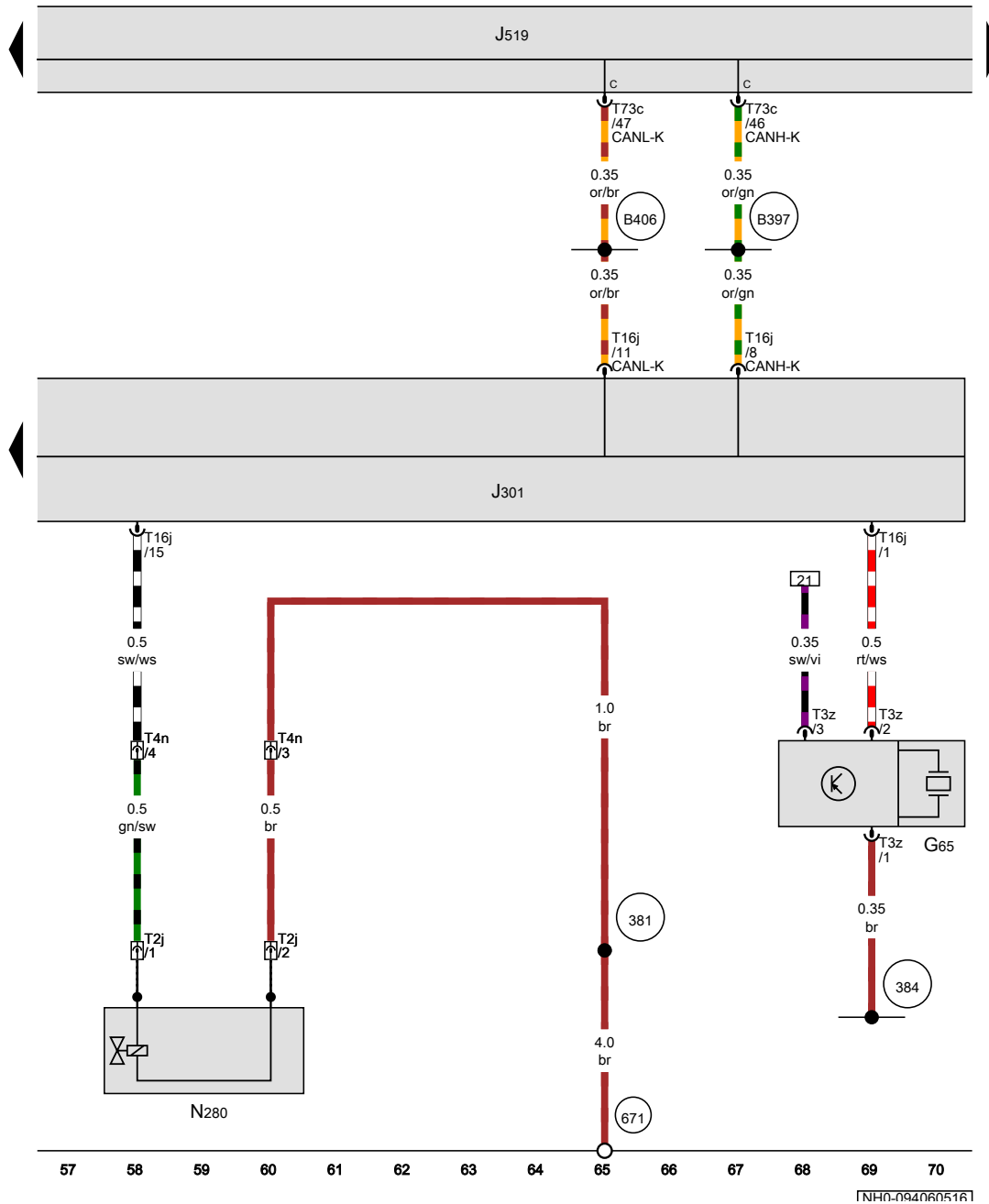
366 Earth connection 1, in main wiring harness

- * Only left-hand drive models
- *2 Only right-hand drive models

- ws = white
- sw = black
- ro = red
- rt = red
- br = brown
- gn = green
- bl = blue
- gr = grey
- li = purple
- vi = purple
- ge = yellow
- or = orange
- rs = pink

43 44 45 46 47 48 49 50 51 52 53 54 55 56

[NH0-094050516]



High-pressure sender, Air conditioning system control unit, Air conditioner compressor regulating valve

- G65 High-pressure sender
- J301 Air conditioning system control unit
- J519 Onboard supply control unit
- N280 Air conditioner compressor regulating valve
- T2j 2-pin connector
- T3z 3-pin connector
- T4n 4-pin connector, front left in engine compartment
- T16j 16-pin connector
- T73c 73-pin connector, black

- 381 Earth connection 16, in main wiring harness
- 384 Earth connection 19, in main wiring harness
- 671 Earth point 1, on front of left longitudinal member
- B397 Connection 1 (convenience CAN bus, high), in main wiring harness
- B406 Connection 1 (convenience CAN bus, low), in main wiring harness

- ws = white
- sw = black
- ro = red
- rt = red
- br = brown
- gn = green
- bl = blue
- gr = grey
- li = purple
- vi = purple
- ge = yellow
- or = orange
- rs = pink

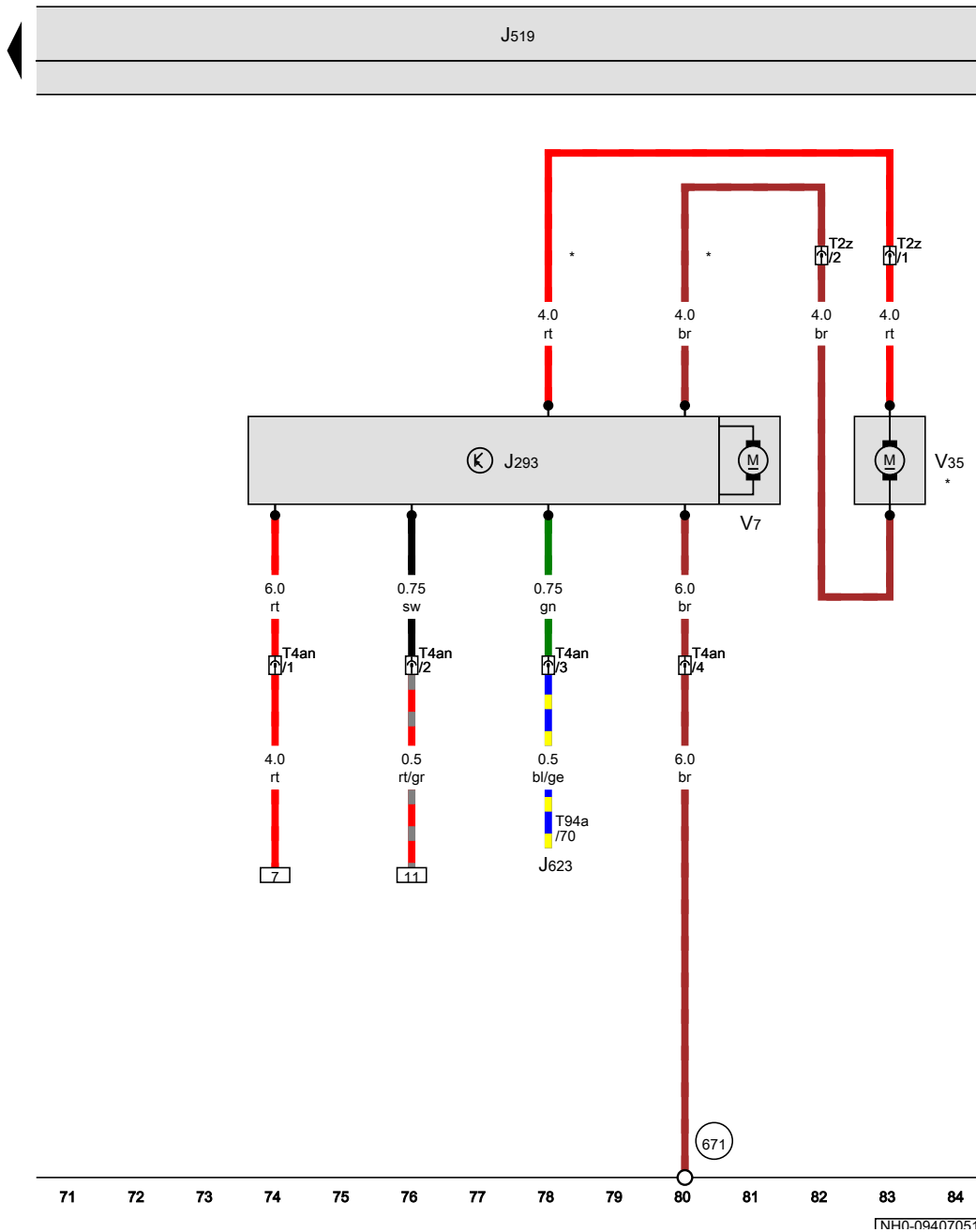
1NH0-094060516

Radiator fan control unit, Radiator fan, Right radiator fan

- J293 Radiator fan control unit
- J519 Onboard supply control unit
- J623 Engine control unit
- T2z 2-pin connector, on radiator fan
- T4an 4-pin connector
- T94a 94-pin connector
- V7 Radiator fan
- V35 Right radiator fan

671 Earth point 1, on front of left longitudinal member

* Only models with two radiator fans



- ws = white
- sw = black
- ro = red
- rt = red
- br = brown
- gn = green
- bl = blue
- gr = grey
- li = purple
- vi = purple
- ge = yellow
- or = orange
- rs = pink

[NH0-094070516]

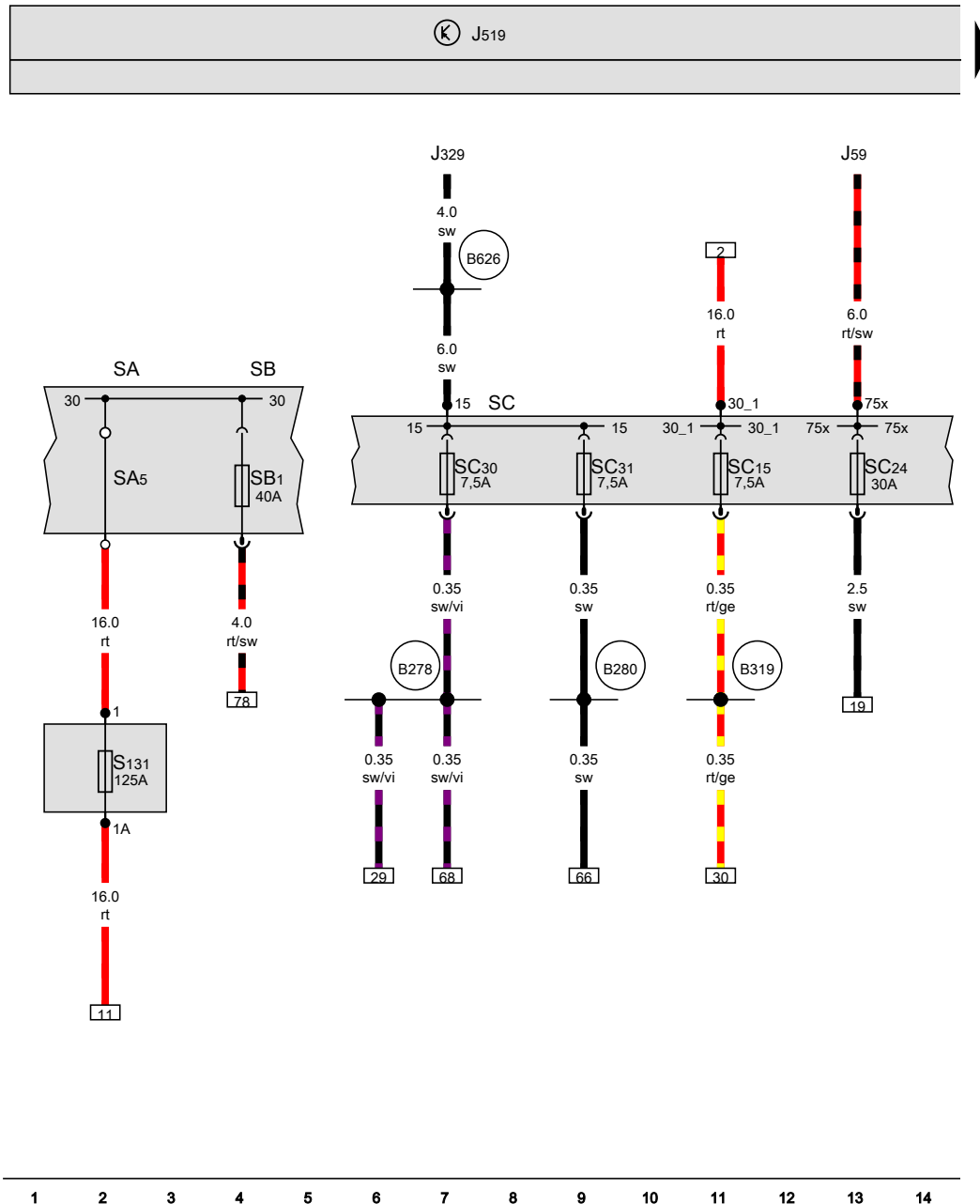
Climatic , CWVB,CWVA

From November 2015

Fuse holder A, Fuse holder B, Fuse holder C

- J59 X-contact relief relay
- J329 Terminal 15 voltage supply relay
- J519 Onboard supply control unit
- SA Fuse holder A
- SB Fuse holder B
- SB1 Fuse 1 on fuse holder B
- SA5 Fuse 5 in fuse holder A
- S131 Fuse 1, in main wiring harness
- SC Fuse holder C
- SC15 Fuse 15 on fuse holder C
- SC24 Fuse 24 on fuse holder C
- SC30 Fuse 30 on fuse holder C
- SC31 Fuse 31 on fuse holder C

- (B278) Positive connection 2 (15a) in main wiring harness
- (B280) Positive connection 4 (15a) in main wiring harness
- (B319) Positive connection 5 (30a) in main wiring harness
- (B626) Positive connection 2 (15), in main wiring harness



- ws = white
- sw = black
- ro = red
- rt = red
- br = brown
- gn = green
- bl = blue
- gr = grey
- li = purple
- vi = purple
- ge = yellow
- or = orange
- rs = pink

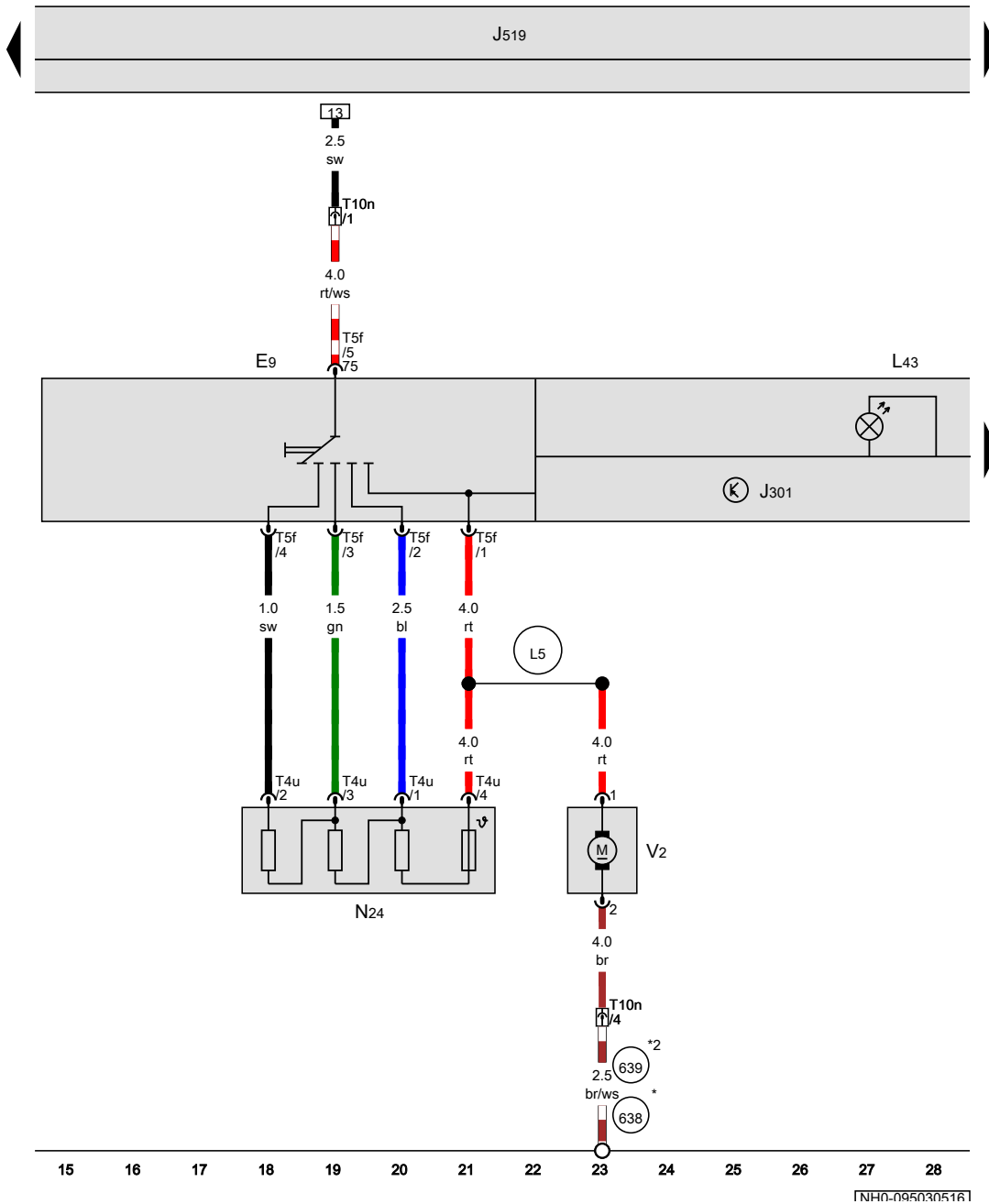
1 2 3 4 5 6 7 8 9 10 11 12 13 14

[NH0-095020516]

Air conditioning system control unit, Fresh air blower series resistor with overheating fuse, Fresh air blower

- E9 Fresh air blower switch
- J301 Air conditioning system control unit
- J519 Onboard supply control unit
- L43 Air conditioning system switch illumination bulb
- N24 Fresh air blower series resistor with overheating fuse
- T4u 4-pin connector
- T5f 5-pin connector
- T10n 10-pin connector, behind dash panel
- V2 Fresh air blower

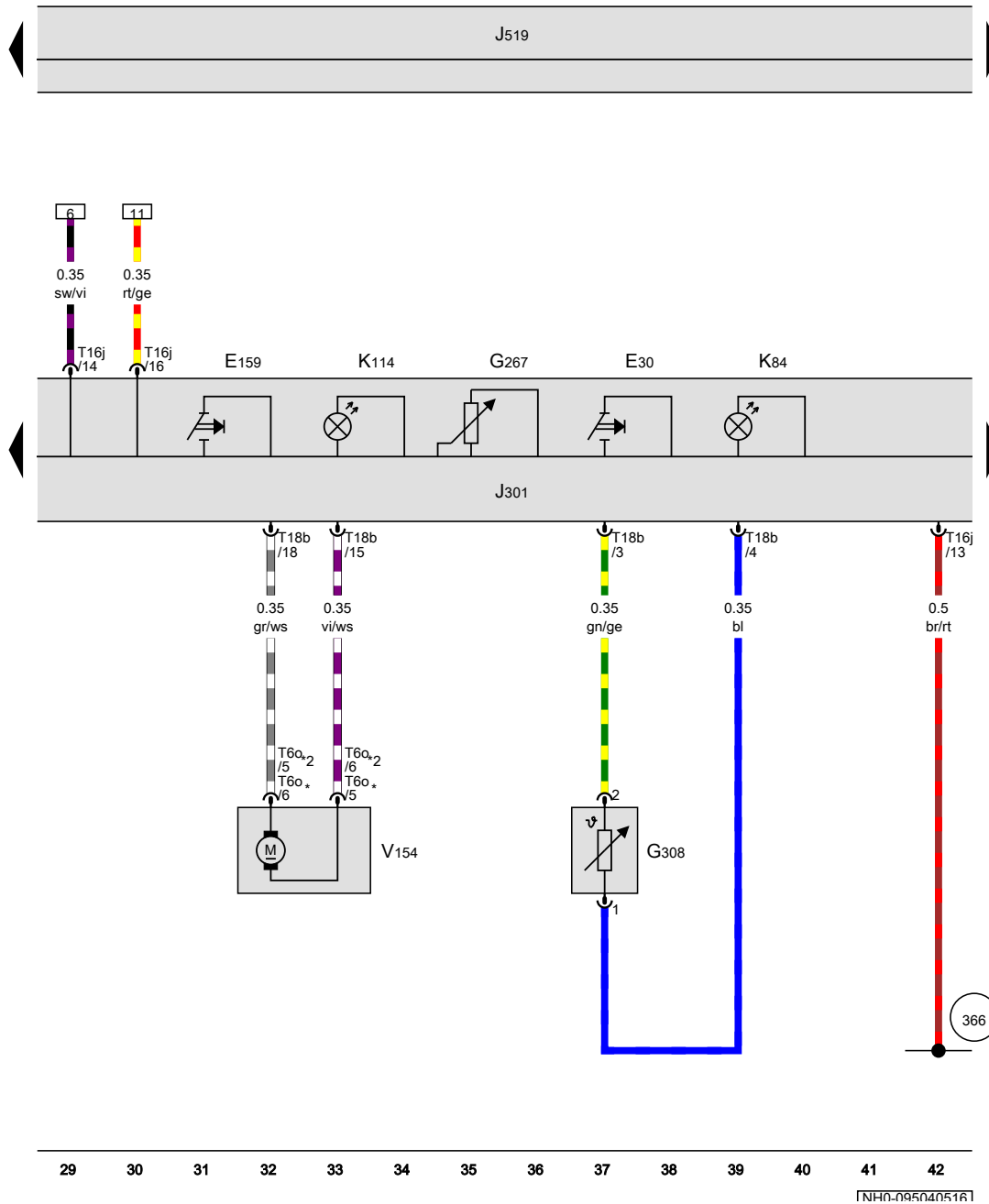
- 638 Earth point, on right A-pillar
- 639 Earth point, left A-pillar
- L5 Connection 1, in evaporator housing unit wiring harness
- * Only left-hand drive models
- *2 Only right-hand drive models



- ws = white
- sw = black
- ro = red
- rt = red
- br = brown
- gn = green
- bl = blue
- gr = grey
- li = purple
- vi = purple
- ge = yellow
- or = orange
- rs = pink

[NH0-095030516]

Evaporator temperature sensor, Air conditioning system control unit, Fresh air and air recirculation flap control motor



- E30 Air conditioning system switch
- E159 Fresh air and air recirculation flap switch
- G267 Potentiometer for temperature selection rotary knob
- G308 Evaporator temperature sensor
- J301 Air conditioning system control unit
- J519 Onboard supply control unit
- K84 Air conditioning system warning lamp
- K114 Fresh air and air recirculation warning lamp
- T6o 6-pin connector
- T16j 16-pin connector
- T18b 18-pin connector
- V154 Fresh air and air recirculation flap control motor

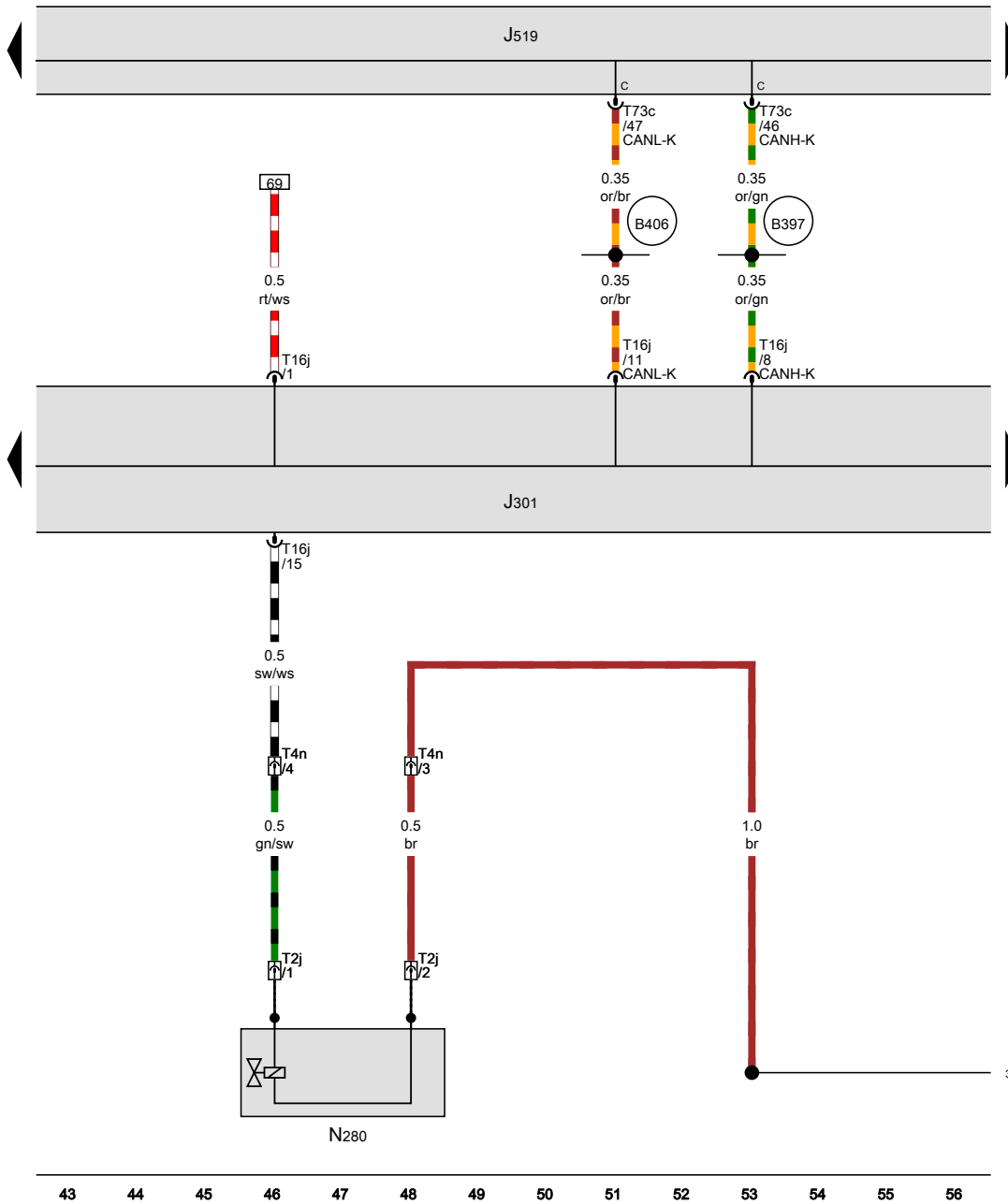
366 Earth connection 1, in main wiring harness

- * Only left-hand drive models
- *2 Only right-hand drive models

Air conditioning system control unit, Air conditioner compressor regulating valve

- J301 Air conditioning system control unit
- J519 Onboard supply control unit
- N280 Air conditioner compressor regulating valve
- T2j 2-pin connector
- T4n 4-pin connector, front left in engine compartment
- T16j 16-pin connector
- T73c 73-pin connector, black

- 381 Earth connection 16, in main wiring harness
- B397 Connection 1 (convenience CAN bus, high), in main wiring harness
- B406 Connection 1 (convenience CAN bus, low), in main wiring harness



- ws = white
- sw = black
- ro = red
- rt = red
- br = brown
- gn = green
- bl = blue
- gr = grey
- li = purple
- vi = purple
- ge = yellow
- or = orange
- rs = pink

[NH0-095050516]

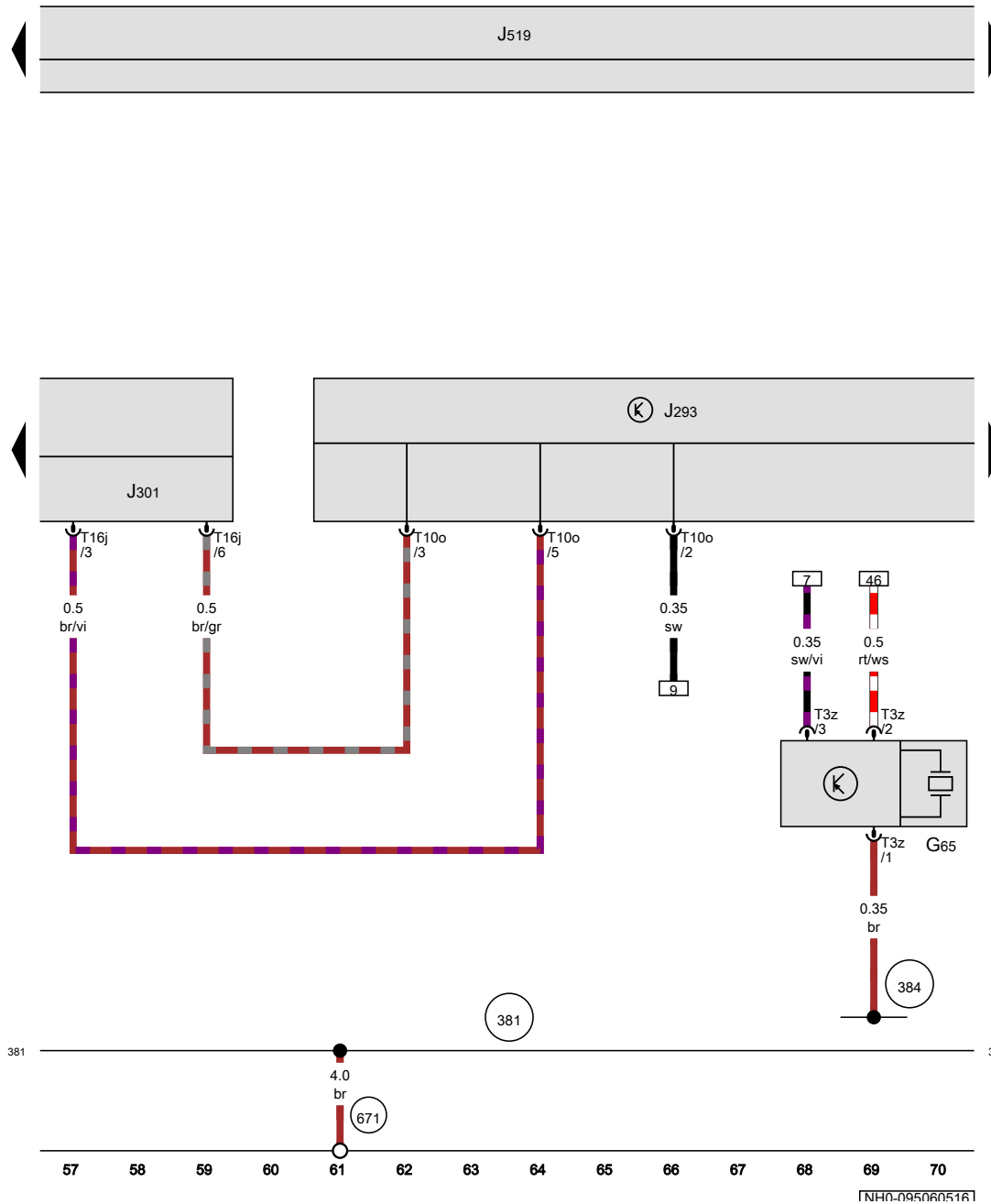
High-pressure sender, Radiator fan control unit, Air conditioning system control unit

- G65 High-pressure sender
- J293 Radiator fan control unit
- J301 Air conditioning system control unit
- J519 Onboard supply control unit
- T3z 3-pin connector
- T10o 10-pin connector
- T16j 16-pin connector

381 Earth connection 16, in main wiring harness

384 Earth connection 19, in main wiring harness

671 Earth point 1, on front of left longitudinal member



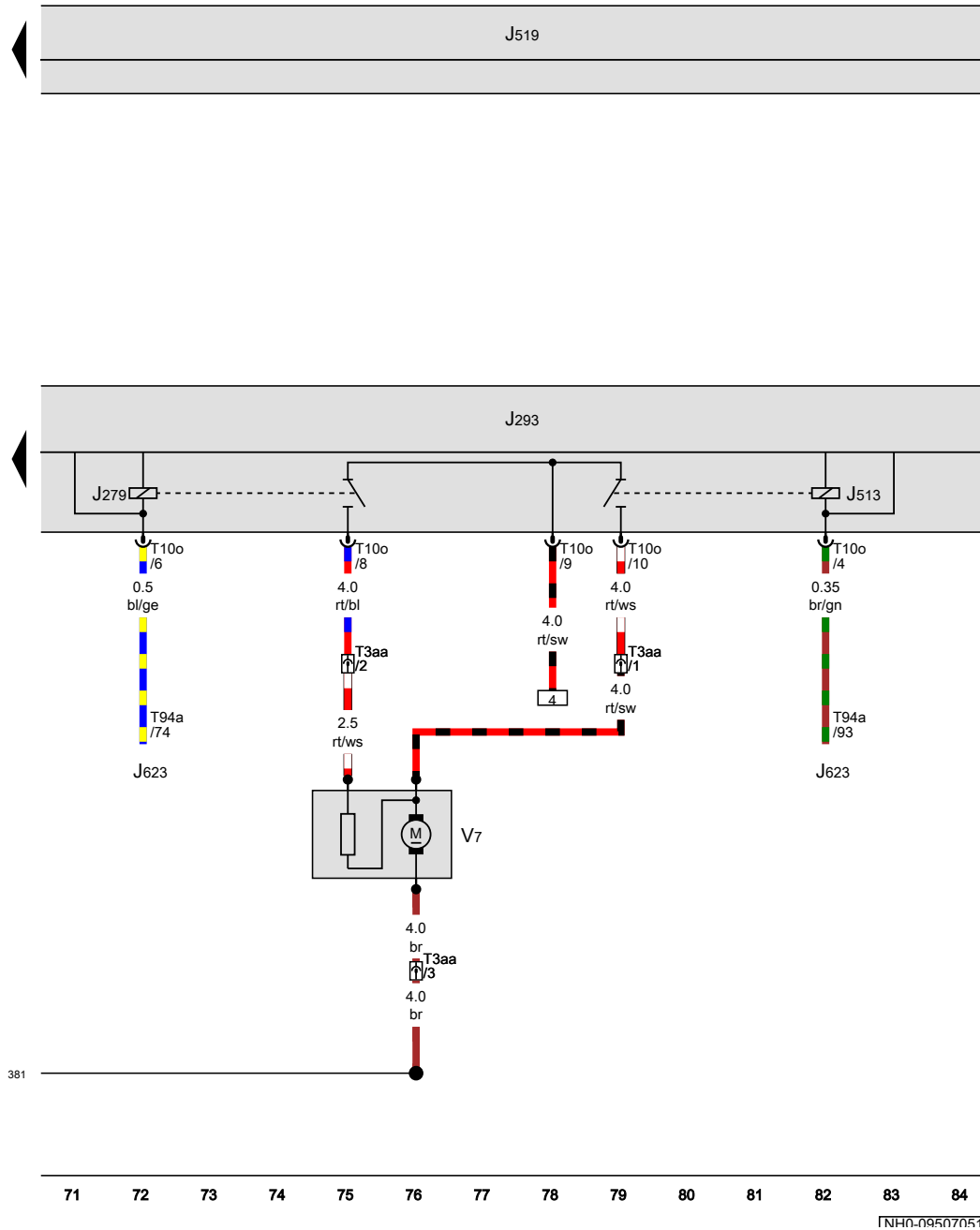
- ws = white
- sw = black
- ro = red
- rt = red
- br = brown
- gn = green
- bl = blue
- gr = grey
- li = purple
- vi = purple
- ge = yellow
- or = orange
- rs = pink

[NH0-095060516]

Radiator fan control unit, Radiator fan

- J279 Radiator fan V7 and V35 relay - 1st speed
- J293 Radiator fan control unit
- J513 Radiator fan V7 and V35 relay, 2nd speed
- J519 Onboard supply control unit
- J623 Engine control unit
- T3aa 3-pin connector, on radiator fan
- T10o 10-pin connector
- T94a 94-pin connector
- V7 Radiator fan

381 Earth connection 16, in main wiring harness



- ws = white
- sw = black
- ro = red
- rt = red
- br = brown
- gn = green
- bl = blue
- gr = grey
- li = purple
- vi = purple
- ge = yellow
- or = orange
- rs = pink

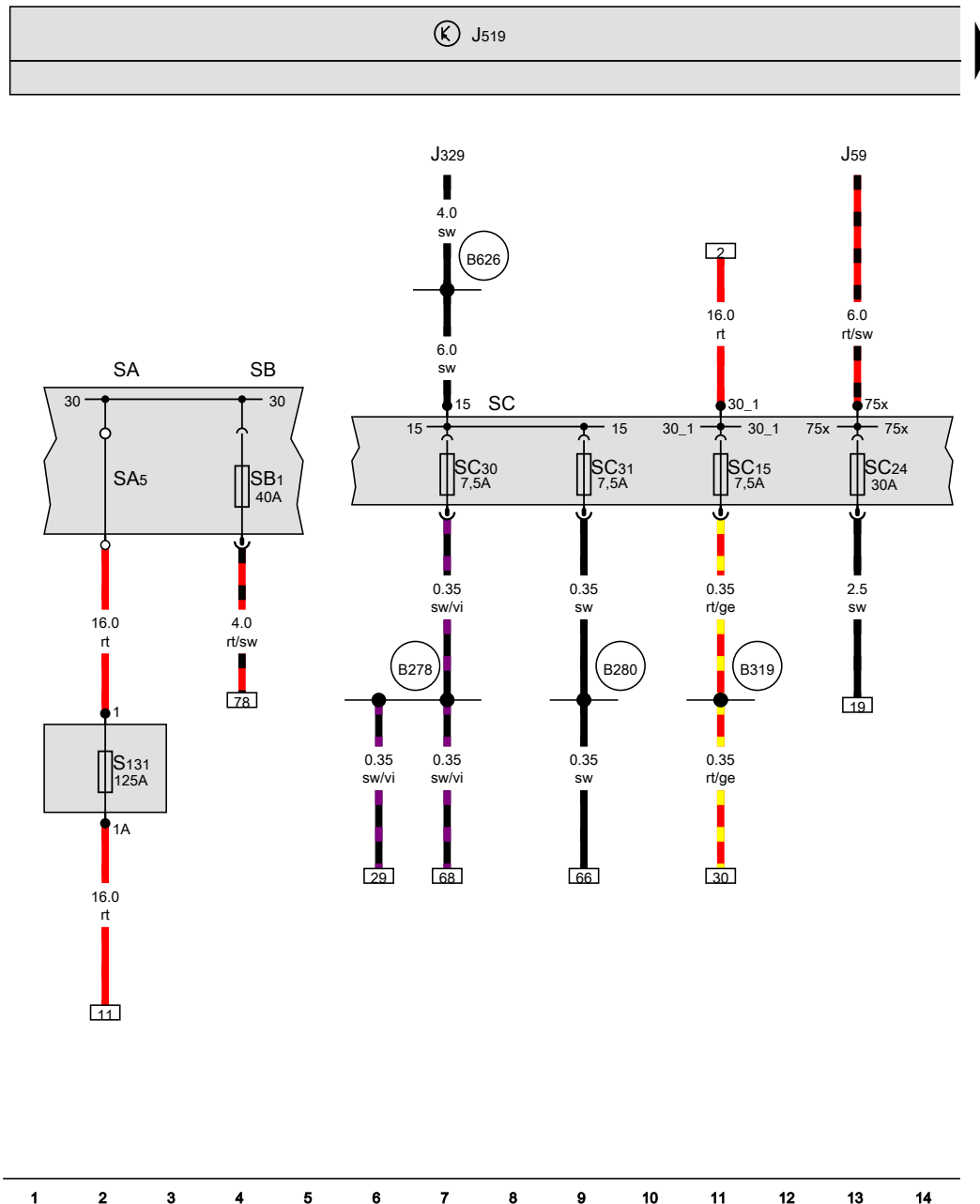
[NH0-095070516]

Climatic , CUSB
From November 2015

Fuse holder A, Fuse holder B, Fuse holder C

- J59 X-contact relief relay
- J329 Terminal 15 voltage supply relay
- J519 Onboard supply control unit
- SA Fuse holder A
- SB Fuse holder B
- SB1 Fuse 1 on fuse holder B
- SA5 Fuse 5 in fuse holder A
- S131 Fuse 1, in main wiring harness
- SC Fuse holder C
- SC15 Fuse 15 on fuse holder C
- SC24 Fuse 24 on fuse holder C
- SC30 Fuse 30 on fuse holder C
- SC31 Fuse 31 on fuse holder C

- (B278) Positive connection 2 (15a) in main wiring harness
- (B280) Positive connection 4 (15a) in main wiring harness
- (B319) Positive connection 5 (30a) in main wiring harness
- (B626) Positive connection 2 (15), in main wiring harness

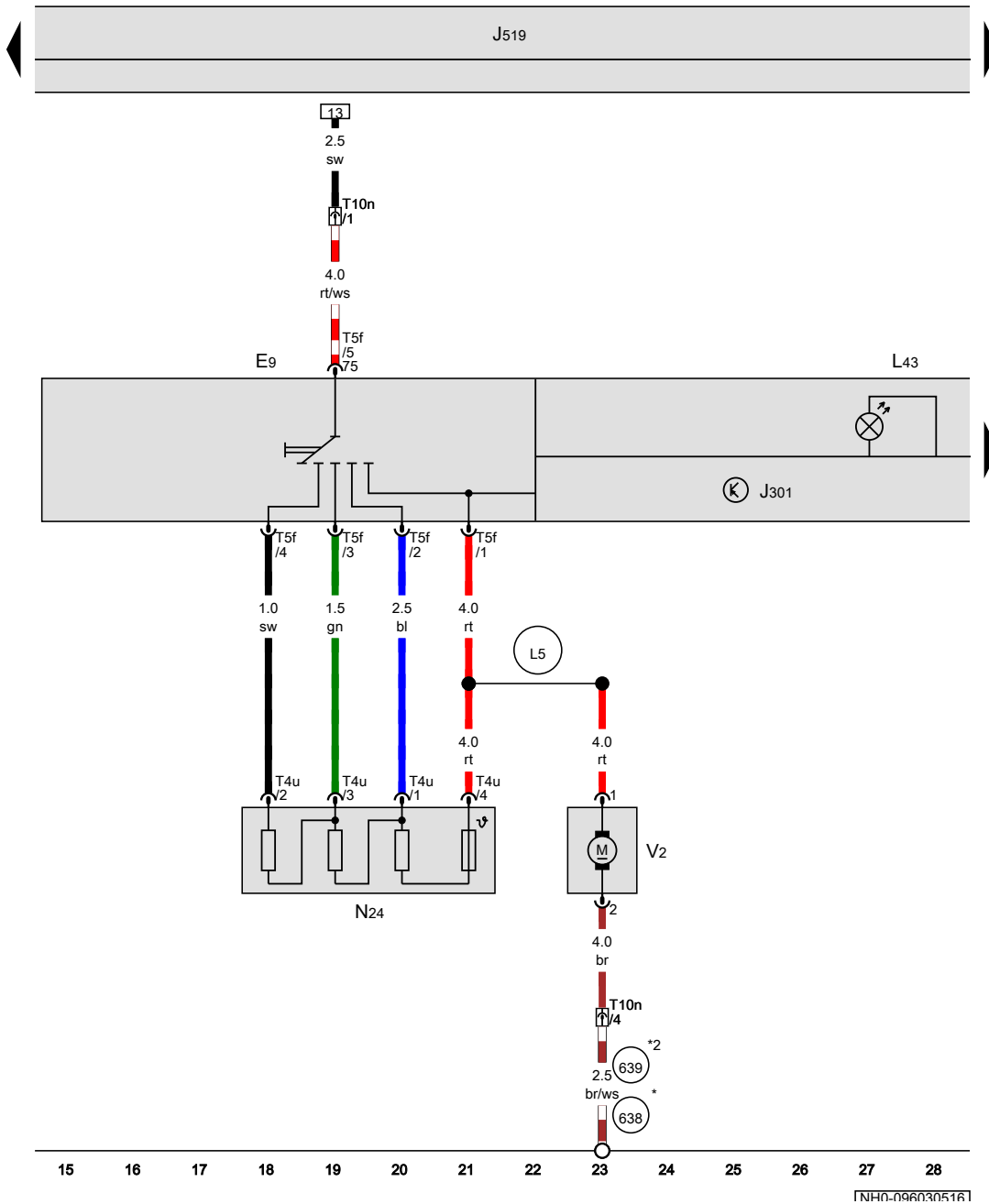


- ws = white
- sw = black
- ro = red
- rt = red
- br = brown
- gn = green
- bl = blue
- gr = grey
- li = purple
- vi = purple
- ge = yellow
- or = orange
- rs = pink

Air conditioning system control unit, Fresh air blower series resistor with overheating fuse, Fresh air blower

- E9 Fresh air blower switch
- J301 Air conditioning system control unit
- J519 Onboard supply control unit
- L43 Air conditioning system switch illumination bulb
- N24 Fresh air blower series resistor with overheating fuse
- T4u 4-pin connector
- T5f 5-pin connector
- T10n 10-pin connector, behind dash panel
- V2 Fresh air blower

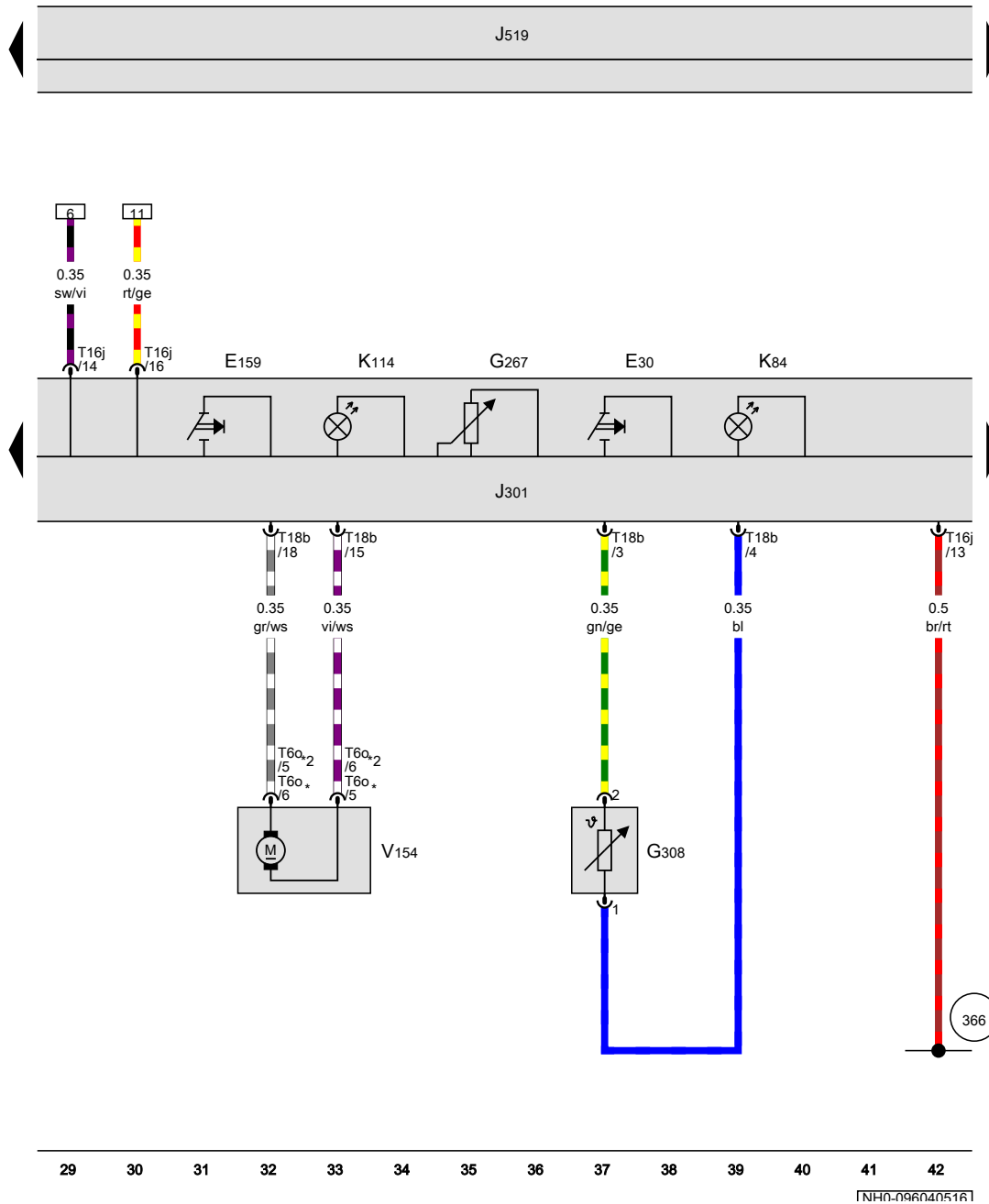
- 638 Earth point, on right A-pillar
- 639 Earth point, left A-pillar
- L5 Connection 1, in evaporator housing unit wiring harness
- * Only left-hand drive models
- *2 Only right-hand drive models



- ws = white
- sw = black
- ro = red
- rt = red
- br = brown
- gn = green
- bl = blue
- gr = grey
- li = purple
- vi = purple
- ge = yellow
- or = orange
- rs = pink

[NH0-096030516]

Evaporator temperature sensor, Air conditioning system control unit, Fresh air and air recirculation flap control motor



- E30 Air conditioning system switch
- E159 Fresh air and air recirculation flap switch
- G267 Potentiometer for temperature selection rotary knob
- G308 Evaporator temperature sensor
- J301 Air conditioning system control unit
- J519 Onboard supply control unit
- K84 Air conditioning system warning lamp
- K114 Fresh air and air recirculation warning lamp
- T6o 6-pin connector
- T16j 16-pin connector
- T18b 18-pin connector
- V154 Fresh air and air recirculation flap control motor

366 Earth connection 1, in main wiring harness

- * Only left-hand drive models
- *2 Only right-hand drive models

- ws = white
- sw = black
- ro = red
- rt = red
- br = brown
- gn = green
- bl = blue
- gr = grey
- li = purple
- vi = purple
- ge = yellow
- or = orange
- rs = pink

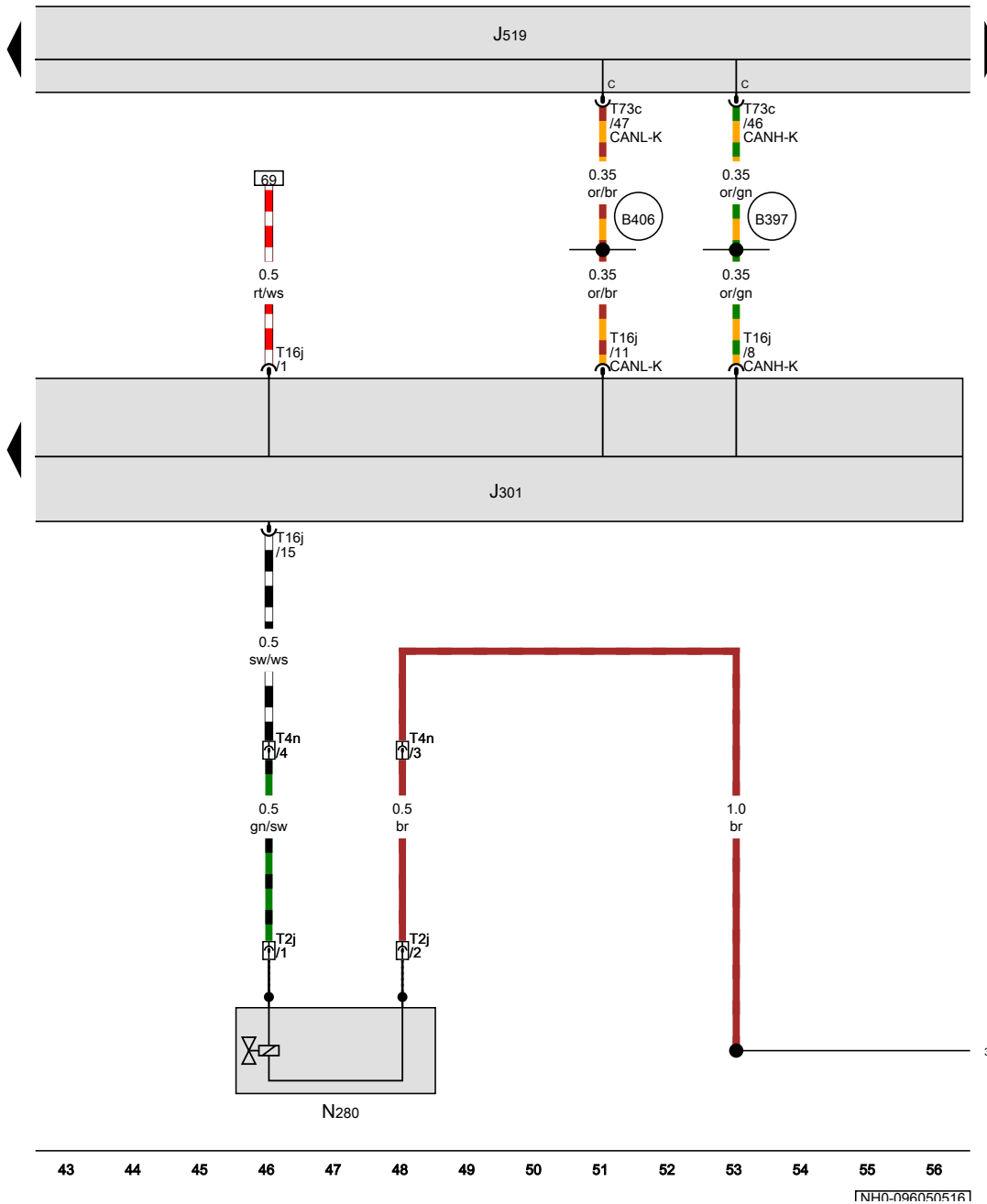
29 30 31 32 33 34 35 36 37 38 39 40 41 42

[NH0-096040516]

Air conditioning system control unit, Air conditioner compressor regulating valve

- J301 Air conditioning system control unit
- J519 Onboard supply control unit
- N280 Air conditioner compressor regulating valve
- T2j 2-pin connector
- T4n 4-pin connector, front left in engine compartment
- T16j 16-pin connector
- T73c 73-pin connector, black

- 381 Earth connection 16, in main wiring harness
- B397 Connection 1 (convenience CAN bus, high), in main wiring harness
- B406 Connection 1 (convenience CAN bus, low), in main wiring harness



[NH0-096050516]

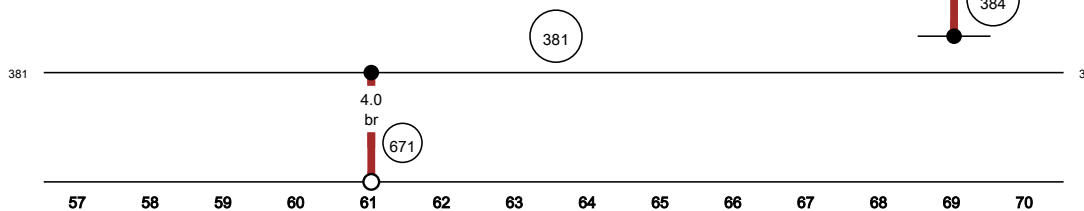
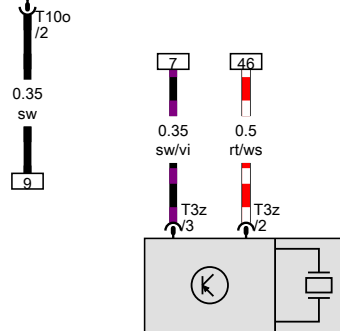
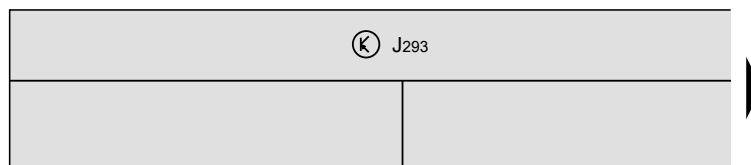
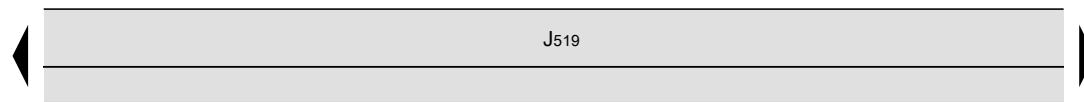
High-pressure sender, Radiator fan control unit

- G65 High-pressure sender
- J293 Radiator fan control unit
- J519 Onboard supply control unit
- T3z 3-pin connector
- T10o 10-pin connector

381 Earth connection 16, in main wiring harness

384 Earth connection 19, in main wiring harness

671 Earth point 1, on front of left longitudinal member



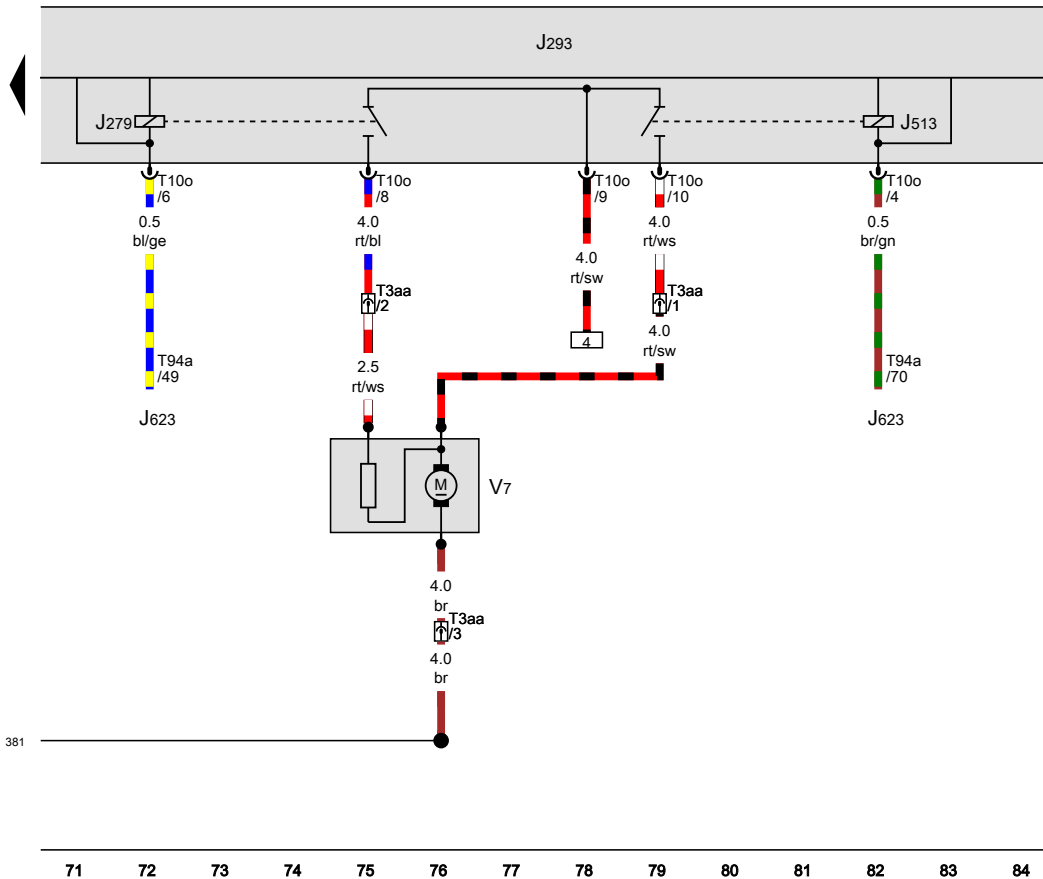
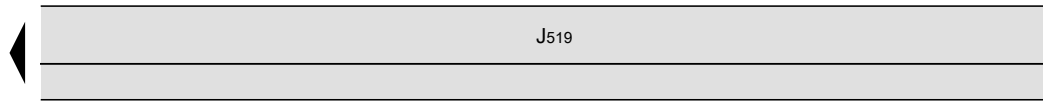
- ws = white
- sw = black
- ro = red
- rt = red
- br = brown
- gn = green
- bl = blue
- gr = grey
- li = purple
- vi = purple
- ge = yellow
- or = orange
- rs = pink

[NH0-096060516]

Radiator fan control unit, Radiator fan

- J279 Radiator fan V7 and V35 relay - 1st speed
- J293 Radiator fan control unit
- J513 Radiator fan V7 and V35 relay, 2nd speed
- J519 Onboard supply control unit
- J623 Engine control unit
- T3aa 3-pin connector, on radiator fan
- T10o 10-pin connector
- T94a 94-pin connector
- V7 Radiator fan

381 Earth connection 16, in main wiring harness



- ws = white
- sw = black
- ro = red
- rt = red
- br = brown
- gn = green
- bl = blue
- gr = grey
- li = purple
- vi = purple
- ge = yellow
- or = orange
- rs = pink

[NH0-096070516]

Climatic , CXMA
From November 2015

Battery, Fuse holder B, Fuse holder D

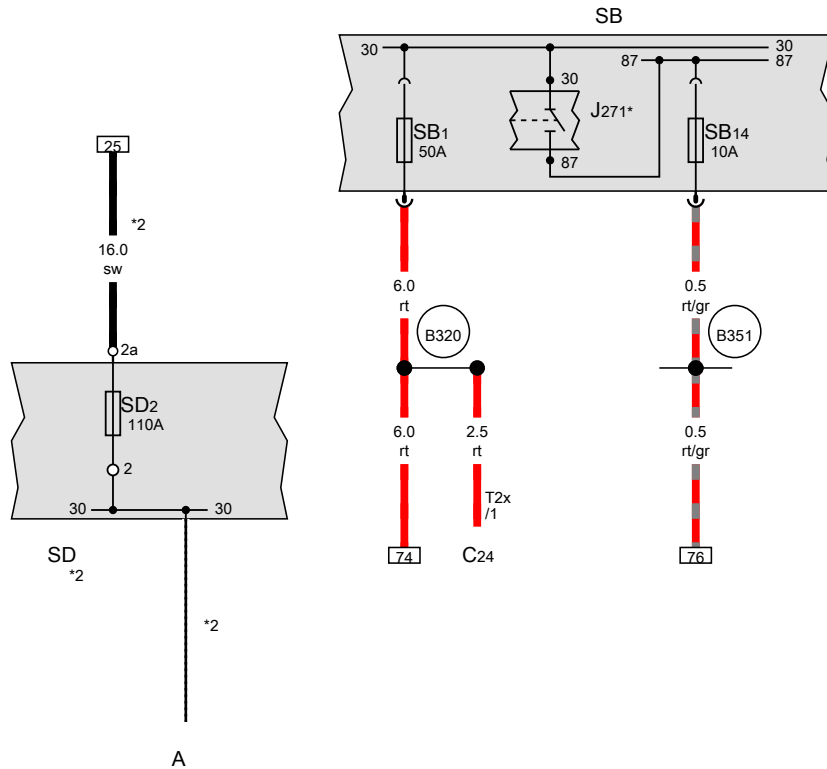
- A Battery
- C24 Suppression filter
- J271 Main relay
- J519 Onboard supply control unit
- SB Fuse holder B
- SB1 Fuse 1 on fuse holder B
- SD2 Fuse 2 on fuse holder D
- SB14 Fuse 14 on fuse holder B
- SD Fuse holder D
- T2x 2-pin connector

B320 Positive connection 6 (30a) in main wiring harness

B351 Positive connection 2 (87a) in main wiring harness

* see applicable current flow diagram for engine

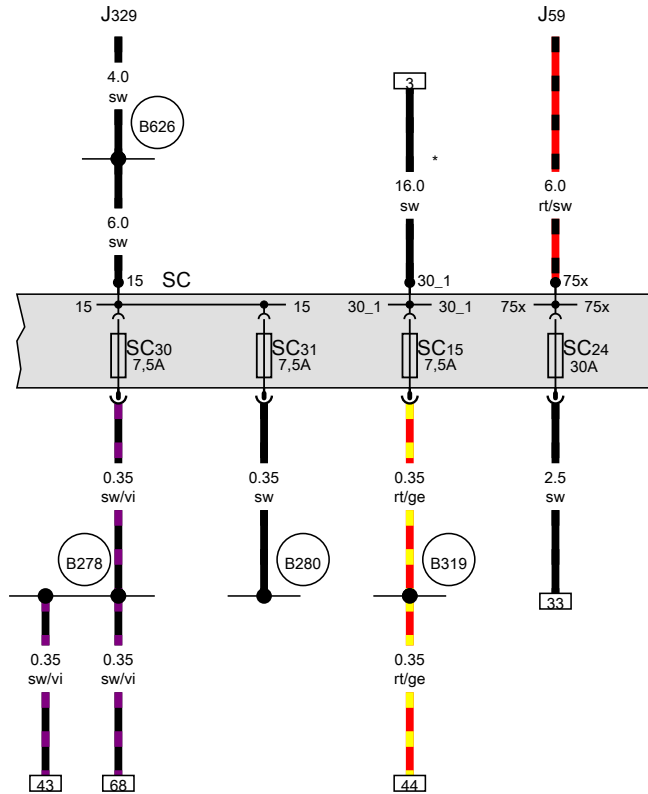
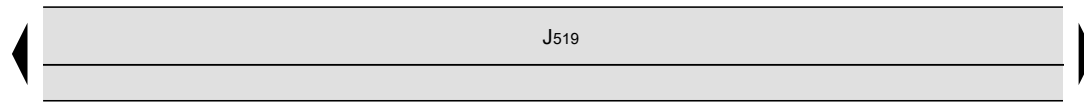
*2 Only models with battery in luggage compartment



- ws = white
- sw = black
- ro = red
- rt = red
- br = brown
- gn = green
- bl = blue
- gr = grey
- li = purple
- vi = purple
- ge = yellow
- or = orange
- rs = pink

1 2 3 4 5 6 7 8 9 10 11 12 13 14

[NH0-097020516]



Fuse holder C

- J59 X-contact relief relay
- J329 Terminal 15 voltage supply relay
- J519 Onboard supply control unit
- SC Fuse holder C
- SC15 Fuse 15 on fuse holder C
- SC24 Fuse 24 on fuse holder C
- SC30 Fuse 30 on fuse holder C
- SC31 Fuse 31 on fuse holder C

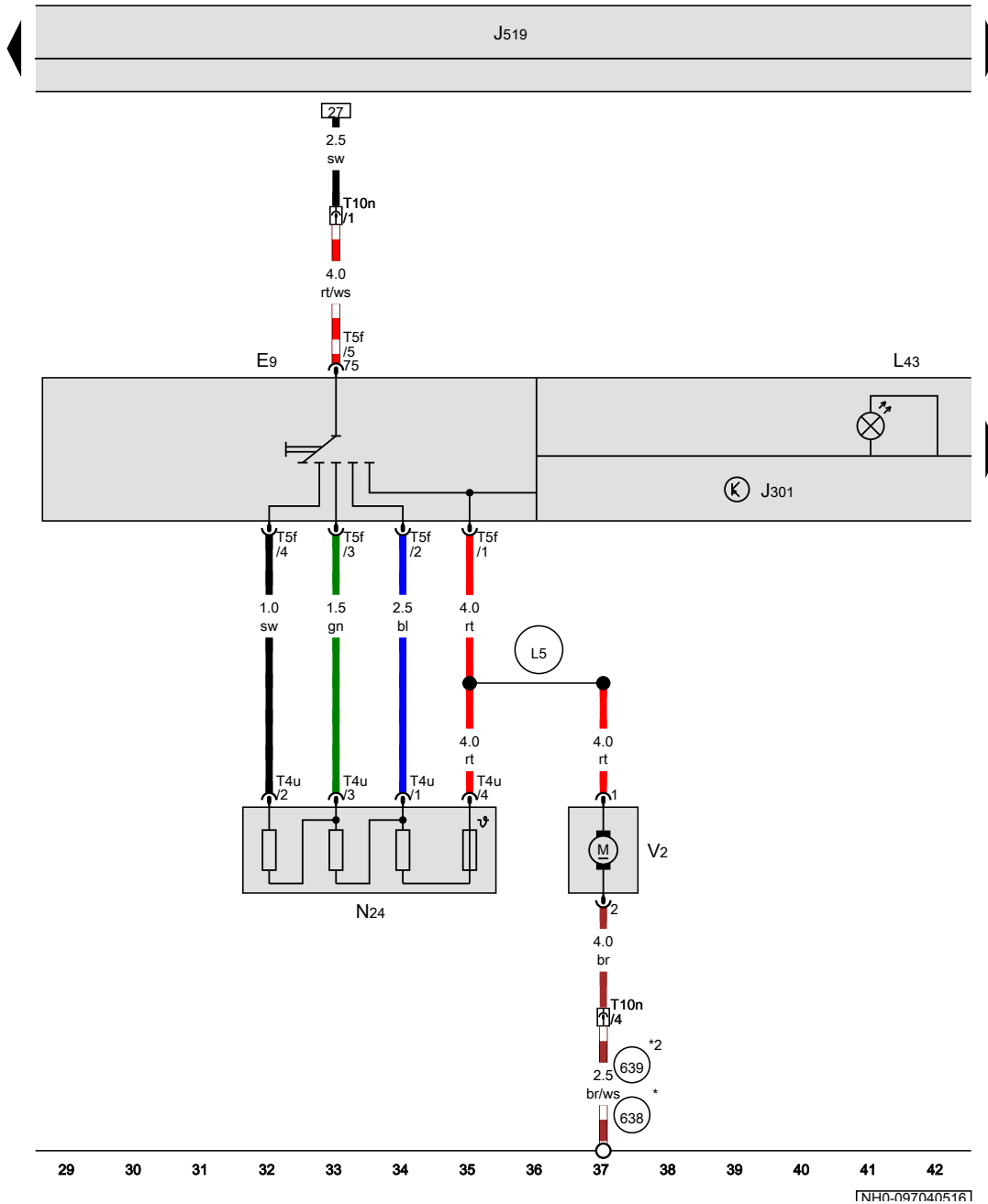
- B278 Positive connection 2 (15a) in main wiring harness
- B280 Positive connection 4 (15a) in main wiring harness
- B319 Positive connection 5 (30a) in main wiring harness
- B626 Positive connection 2 (15), in main wiring harness
- * Only models with battery in luggage compartment

- ws = white
- sw = black
- ro = red
- rt = red
- br = brown
- gn = green
- bl = blue
- gr = grey
- li = purple
- vi = purple
- ge = yellow
- or = orange
- rs = pink

15 16 17 18 19 20 21 22 23 24 25 26 27 28

[NH0-097030516]

Air conditioning system control unit, Fresh air blower series resistor with overheating fuse, Fresh air blower



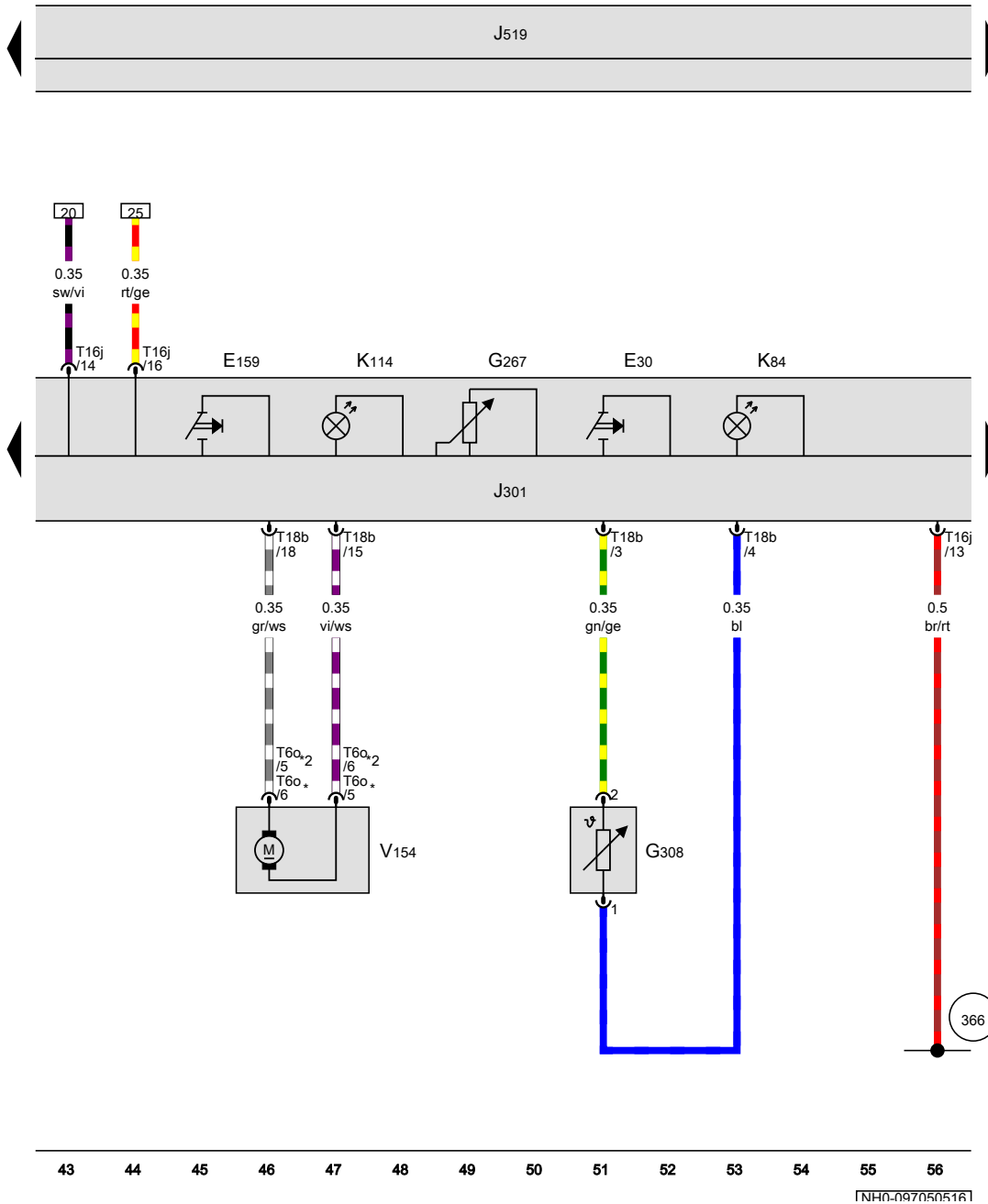
- E9 Fresh air blower switch
- J301 Air conditioning system control unit
- J519 Onboard supply control unit
- L43 Air conditioning system switch illumination bulb
- N24 Fresh air blower series resistor with overheating fuse
- T4u 4-pin connector
- T5f 5-pin connector
- T10n 10-pin connector, behind dash panel
- V2 Fresh air blower

- 638 Earth point, on right A-pillar
- 639 Earth point, left A-pillar
- L5 Connection 1, in evaporator housing unit wiring harness
- * Only left-hand drive models
- *2 Only right-hand drive models

- ws = white
- sw = black
- ro = red
- rt = red
- br = brown
- gn = green
- bl = blue
- gr = grey
- li = purple
- vi = purple
- ge = yellow
- or = orange
- rs = pink

[NH0-097040516]

Evaporator temperature sensor, Air conditioning system control unit, Fresh air and air recirculation flap control motor



- E30 Air conditioning system switch
- E159 Fresh air and air recirculation flap switch
- G267 Potentiometer for temperature selection rotary knob
- G308 Evaporator temperature sensor
- J301 Air conditioning system control unit
- J519 Onboard supply control unit
- K84 Air conditioning system warning lamp
- K114 Fresh air and air recirculation warning lamp
- T6o 6-pin connector
- T16j 16-pin connector
- T18b 18-pin connector
- V154 Fresh air and air recirculation flap control motor

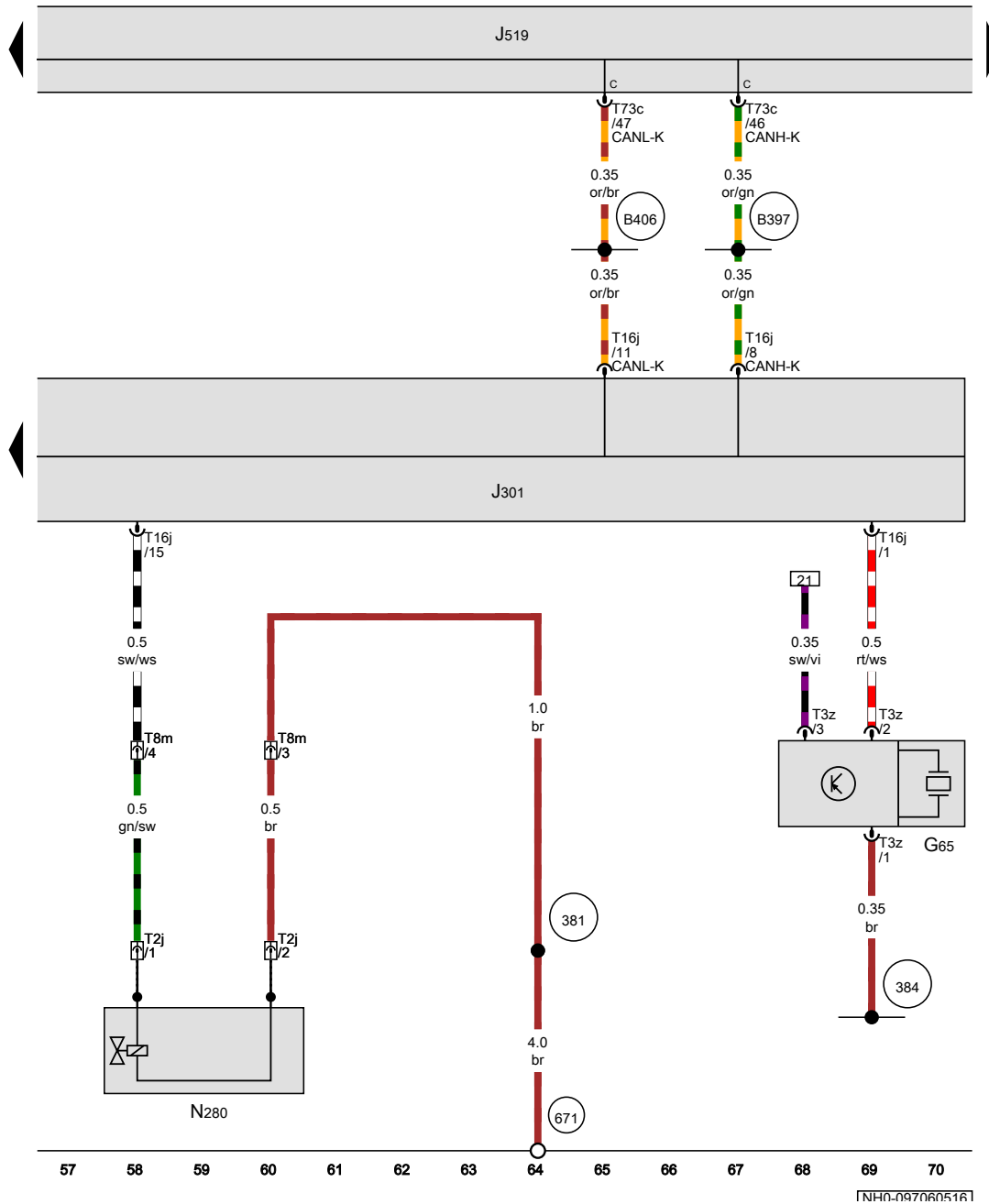
366 Earth connection 1, in main wiring harness

- * Only left-hand drive models
- *2 Only right-hand drive models

- ws = white
- sw = black
- ro = red
- rt = red
- br = brown
- gn = green
- bl = blue
- gr = grey
- li = purple
- vi = purple
- ge = yellow
- or = orange
- rs = pink

43 44 45 46 47 48 49 50 51 52 53 54 55 56

[NH0-097050516]



High-pressure sender, Air conditioning system control unit, Air conditioner compressor regulating valve

- G65 High-pressure sender
- J301 Air conditioning system control unit
- J519 Onboard supply control unit
- N280 Air conditioner compressor regulating valve
- T2j 2-pin connector
- T3z 3-pin connector
- T8m 8-pin connector, front left in engine compartment
- T16j 16-pin connector
- T73c 73-pin connector, black

- 381 Earth connection 16, in main wiring harness
- 384 Earth connection 19, in main wiring harness
- 671 Earth point 1, on front of left longitudinal member
- B397 Connection 1 (convenience CAN bus, high), in main wiring harness
- B406 Connection 1 (convenience CAN bus, low), in main wiring harness

- ws = white
- sw = black
- ro = red
- rt = red
- br = brown
- gn = green
- bl = blue
- gr = grey
- li = purple
- vi = purple
- ge = yellow
- or = orange
- rs = pink

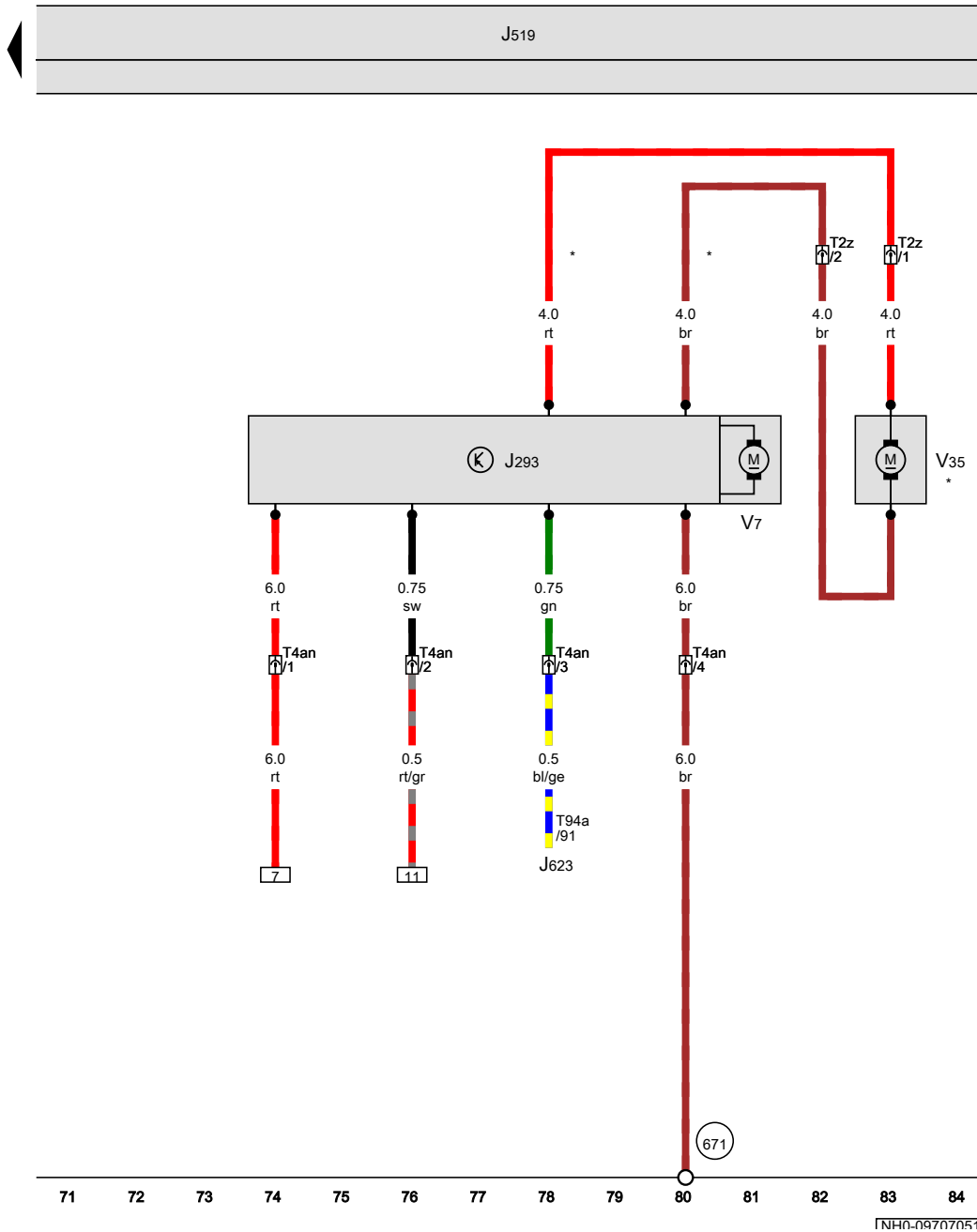
[NHN-097060516]

Radiator fan control unit, Radiator fan, Right radiator fan

- J293 Radiator fan control unit
- J519 Onboard supply control unit
- J623 Engine control unit
- T2z 2-pin connector, on radiator fan
- T4an 4-pin connector
- T94a 94-pin connector
- V7 Radiator fan
- V35 Right radiator fan

671 Earth point 1, on front of left longitudinal member

* Only models with two radiator fans



[NH0-097070516]

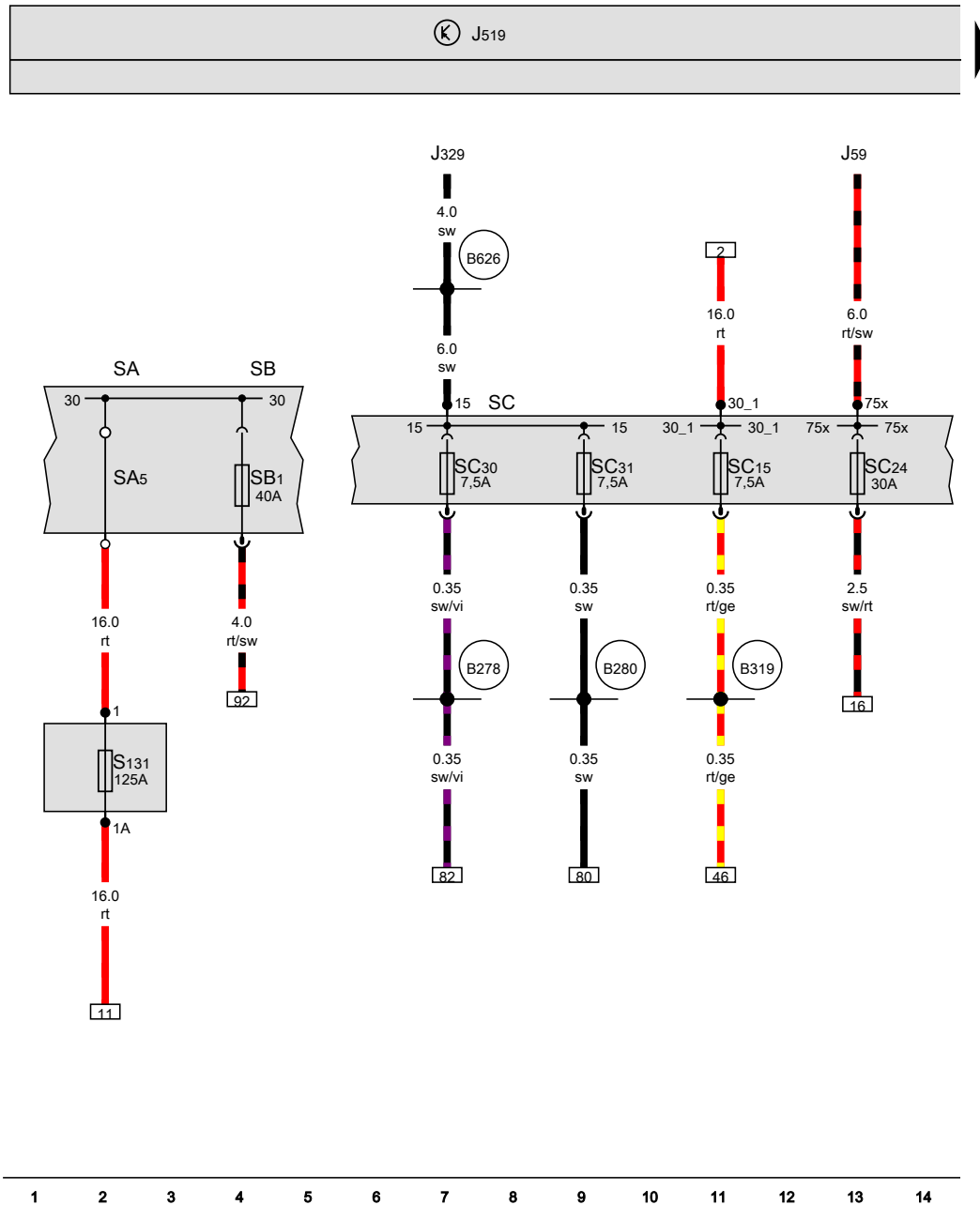
Climatronic , CJZC,CJZD

From November 2015

Fuse holder A, Fuse holder B, Fuse holder C

- J59 X-contact relief relay
- J329 Terminal 15 voltage supply relay
- J519 Onboard supply control unit
- SA Fuse holder A
- SB Fuse holder B
- SB1 Fuse 1 on fuse holder B
- SA5 Fuse 5 in fuse holder A
- S131 Fuse 1, in main wiring harness
- SC Fuse holder C
- SC15 Fuse 15 on fuse holder C
- SC24 Fuse 24 on fuse holder C
- SC30 Fuse 30 on fuse holder C
- SC31 Fuse 31 on fuse holder C

- (B278) Positive connection 2 (15a) in main wiring harness
- (B280) Positive connection 4 (15a) in main wiring harness
- (B319) Positive connection 5 (30a) in main wiring harness
- (B626) Positive connection 2 (15), in main wiring harness



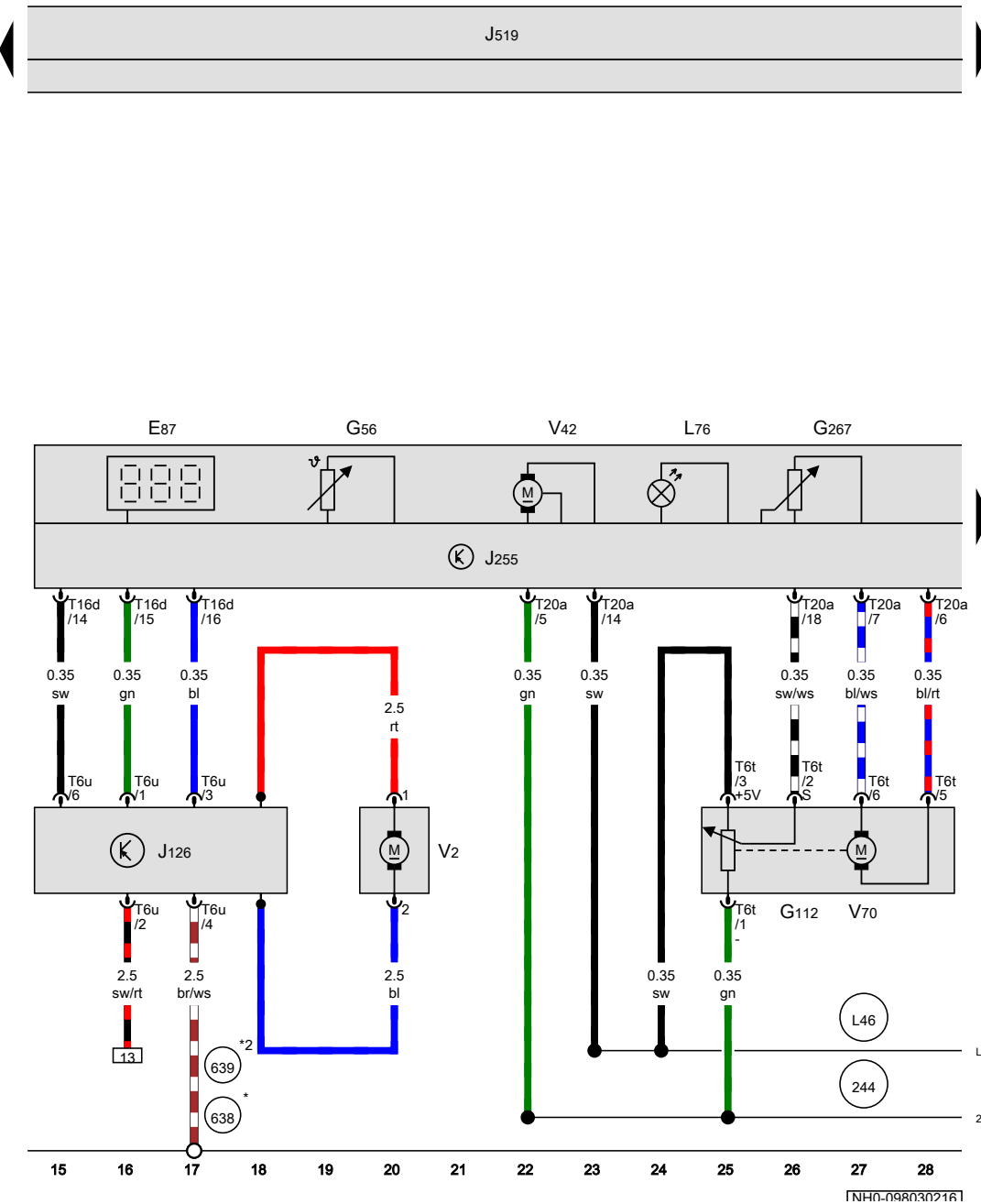
- ws = white
- sw = black
- ro = red
- rt = red
- br = brown
- gn = green
- bl = blue
- gr = grey
- li = purple
- vi = purple
- ge = yellow
- or = orange
- rs = pink

[NH0-098020216]

Fresh air blower control unit, Climatronic control unit, Fresh air blower, Centre flap control motor

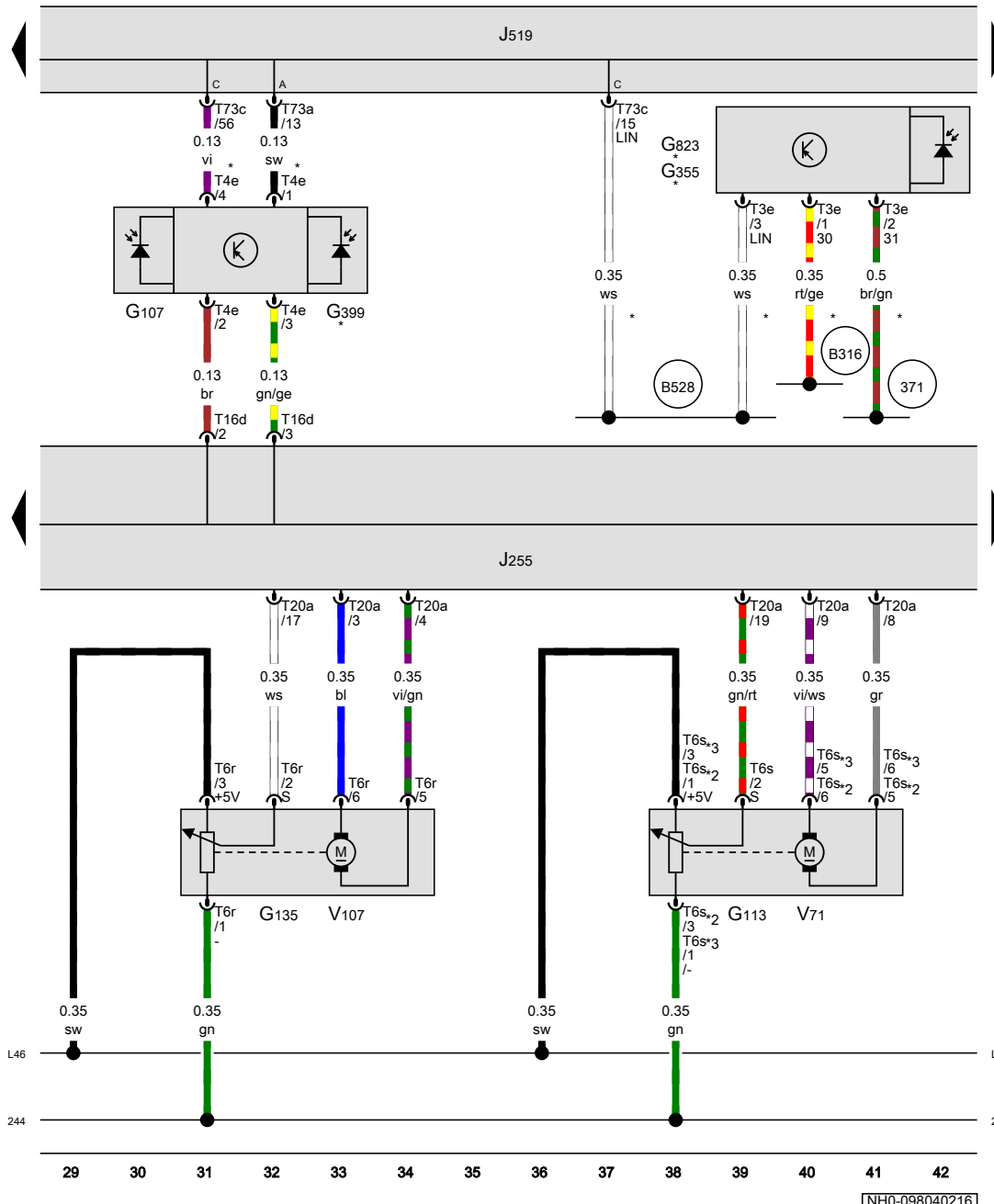
- E87 Operating and display unit for front air conditioning system
- G56 Dash panel temperature sensor
- G112 Potentiometer for centre flap control motor
- G267 Potentiometer for temperature selection rotary knob
- J126 Fresh air blower control unit
- J255 Climatronic control unit
- J519 Onboard supply control unit
- L76 Button illumination bulb
- T6t 6-pin connector
- T6u 6-pin connector
- T16d 16-pin connector
- T20a 20-pin connector
- V2 Fresh air blower
- V42 Temperature sensor blower
- V70 Centre flap control motor

- 244 Earth connection (sender earth), in Climatronic wiring harness
- 638 Earth point, on right A-pillar
- 639 Earth point, left A-pillar
- L46 Connection (5 Volt), in Climatronic operating unit wiring harness
- * Only left-hand drive models
- *2 Only right-hand drive models



- ws = white
- sw = black
- ro = red
- rt = red
- br = brown
- gn = green
- bl = blue
- gr = grey
- li = purple
- vi = purple
- ge = yellow
- or = orange
- rs = pink

[NH0-09R030216]



Sunlight penetration photosensor, Humidity sender, Light sensor, Air humidity, rain and light sensor, Climatronic control unit, Air flow flap control motor, Defroster flap control motor

- G107 Sunlight penetration photosensor
- G113 Potentiometer for air flow flap control motor
- G135 Potentiometer for defroster flap control motor
- G355 Humidity sender
- G399 Light sensor
- G823 Air humidity, rain and light sensor
- J255 Climatronic control unit
- J519 Onboard supply control unit
- T3e 3-pin connector
- T4e 4-pin connector
- T6r 6-pin connector
- T6s 6-pin connector
- T16d 16-pin connector
- T20a 20-pin connector
- T73a 73-pin connector, black
- T73c 73-pin connector, black
- V71 Air flow flap control motor
- V107 Defroster flap control motor

- (244) Earth connection (sender earth), in Climatronic wiring harness
- (371) Earth connection 6, in main wiring harness
- (B316) Positive connection 2 (30a) in main wiring harness
- (B528) Connection 1 (LIN bus) in main wiring harness
- (L46) Connection (5 Volt), in Climatronic operating unit wiring harness
- * According to equipment
- *2 Only left-hand drive models
- *3 Only right-hand drive models

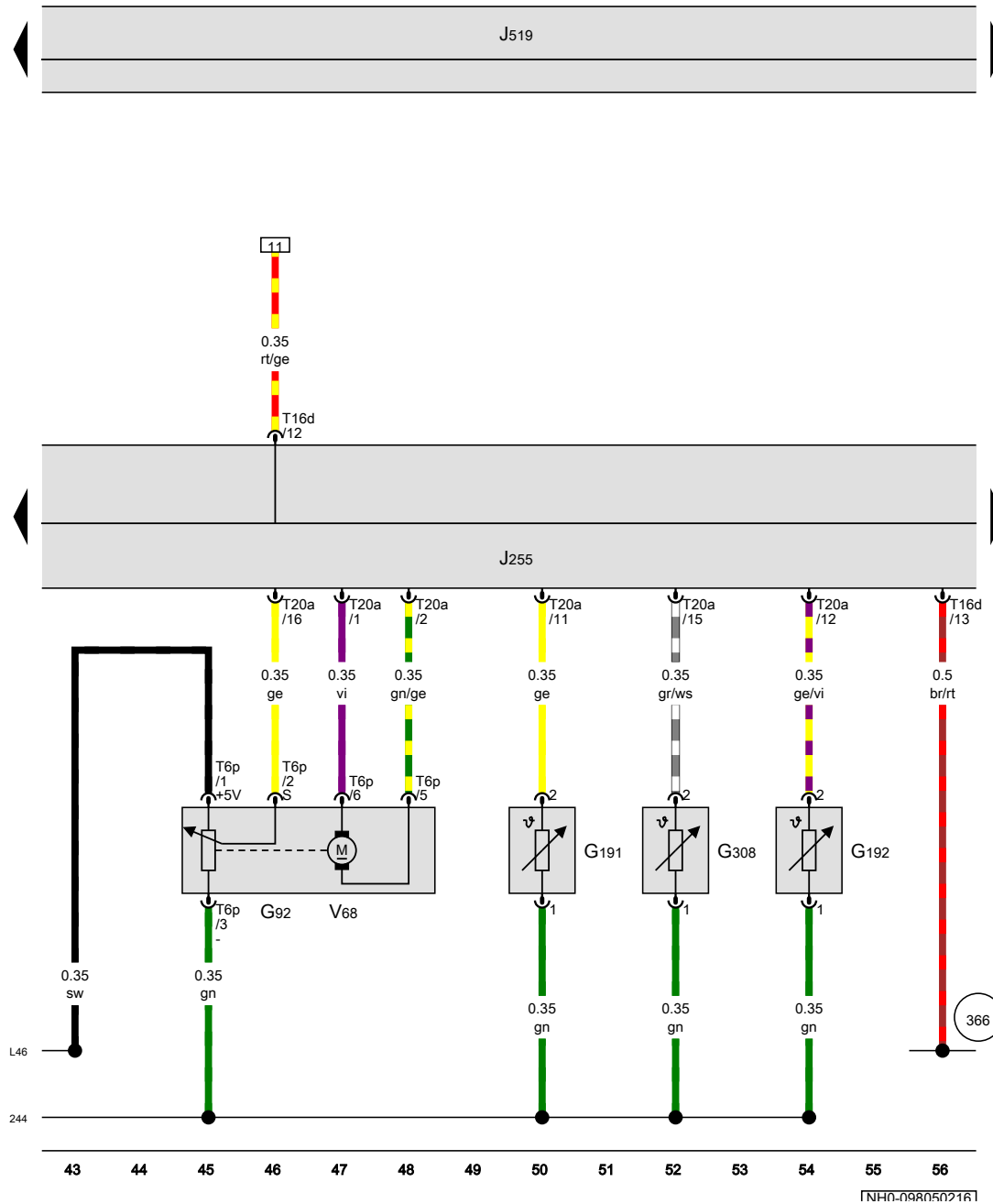
- ws = white
- sw = black
- ro = red
- rt = red
- br = brown
- gn = green
- bl = blue
- gr = grey
- li = purple
- vi = purple
- ge = yellow
- or = orange
- rs = pink

1NH0-0980402161

Centre vent temperature sender, Footwell vent temperature sender, Evaporator temperature sensor, Climatronic control unit, Temperature flap control motor

- G92 Potentiometer for temperature flap control motor
- G191 Centre vent temperature sender
- G192 Footwell vent temperature sender
- G308 Evaporator temperature sensor
- J255 Climatronic control unit
- J519 Onboard supply control unit
- T6p 6-pin connector
- T16d 16-pin connector
- T20a 20-pin connector
- V68 Temperature flap control motor

- 244 Earth connection (sender earth), in Climatronic wiring harness
- 366 Earth connection 1, in main wiring harness
- L46 Connection (5 Volt), in Climatronic operating unit wiring harness



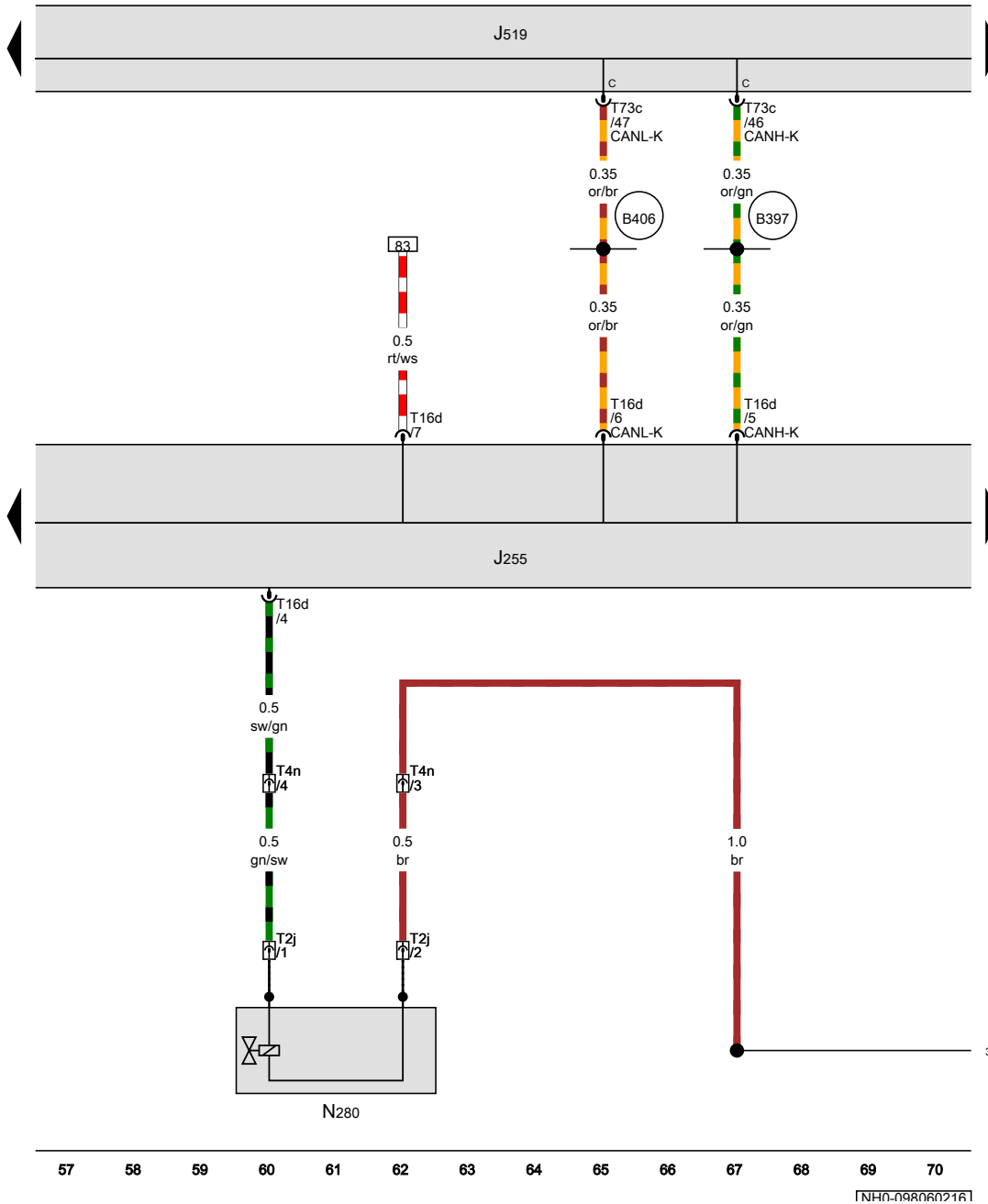
- ws = white
- sw = black
- ro = red
- rt = red
- br = brown
- gn = green
- bl = blue
- gr = grey
- li = purple
- vi = purple
- ge = yellow
- or = orange
- rs = pink

[NH0-098050216]

Climatronic control unit, Air conditioner compressor regulating valve

- J255 Climatronic control unit
- J519 Onboard supply control unit
- N280 Air conditioner compressor regulating valve
- T2j 2-pin connector
- T4n 4-pin connector, front left in engine compartment
- T16d 16-pin connector
- T73c 73-pin connector, black

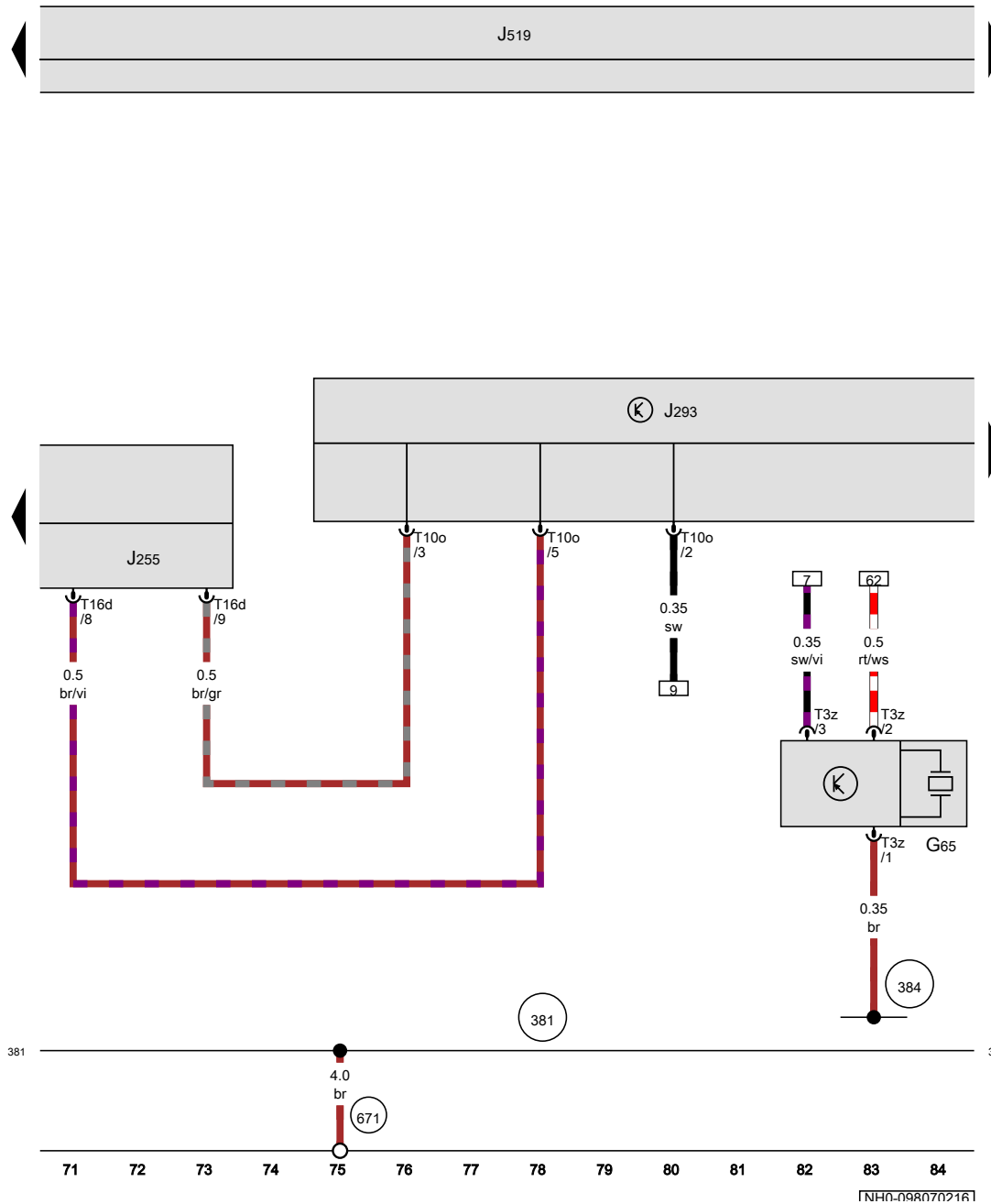
- 381 Earth connection 16, in main wiring harness
- B397 Connection 1 (convenience CAN bus, high), in main wiring harness
- B406 Connection 1 (convenience CAN bus, low), in main wiring harness



High-pressure sender, Climatronic control unit, Radiator fan control unit

- G65 High-pressure sender
- J255 Climatronic control unit
- J293 Radiator fan control unit
- J519 Onboard supply control unit
- T3z 3-pin connector
- T10o 10-pin connector
- T16d 16-pin connector

- 381 Earth connection 16, in main wiring harness
- 384 Earth connection 19, in main wiring harness
- 671 Earth point 1, on front of left longitudinal member



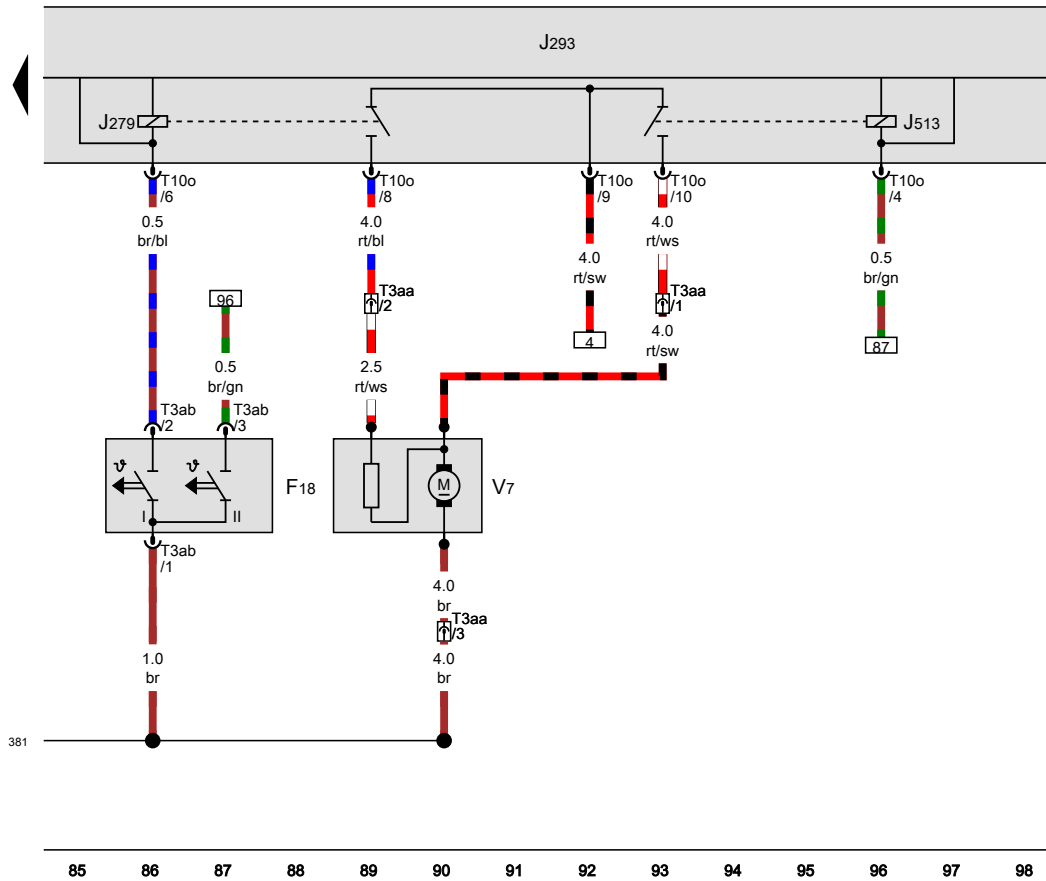
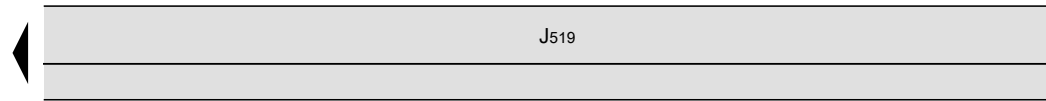
- ws = white
- sw = black
- ro = red
- rt = red
- br = brown
- gn = green
- bl = blue
- gr = grey
- li = purple
- vi = purple
- ge = yellow
- or = orange
- rs = pink

[NH0-098070216]

Radiator fan thermal switch, Radiator fan control unit, Radiator fan

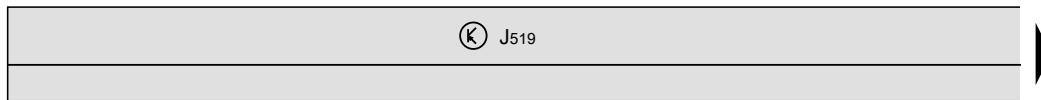
- F18 Radiator fan thermal switch
- J279 Radiator fan V7 and V35 relay - 1st speed
- J293 Radiator fan control unit
- J513 Radiator fan V7 and V35 relay, 2nd speed
- J519 Onboard supply control unit
- T3aa 3-pin connector, on radiator fan
- T3ab 3-pin connector
- T10o 10-pin connector
- V7 Radiator fan

381 Earth connection 16, in main wiring harness



1NH0-098000216

Climatronic , CZCA
From November 2015

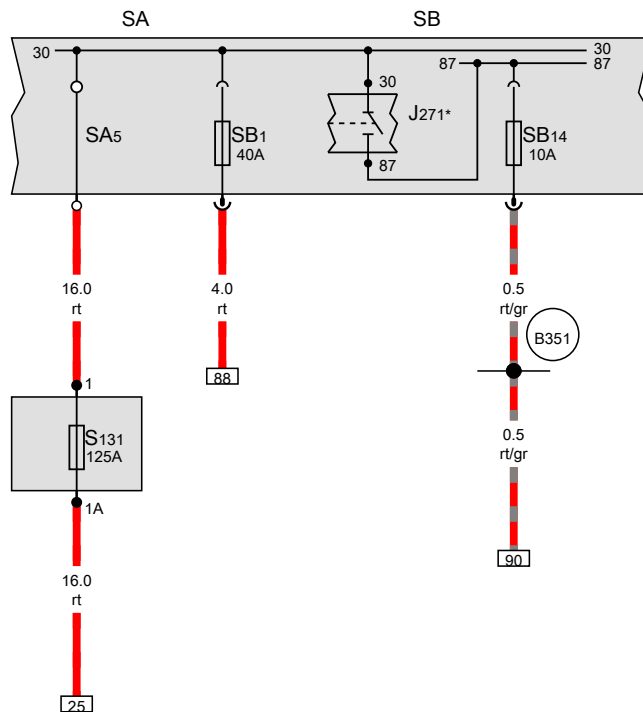


Fuse holder A, Fuse holder B

- J271 Main relay
- J519 Onboard supply control unit
- SA Fuse holder A
- SB1 Fuse 1 on fuse holder B
- SA5 Fuse 5 in fuse holder A
- S131 Fuse 1, in main wiring harness
- SB Fuse holder B
- SB14 Fuse 14 on fuse holder B

B351 Positive connection 2 (87a) in main wiring harness

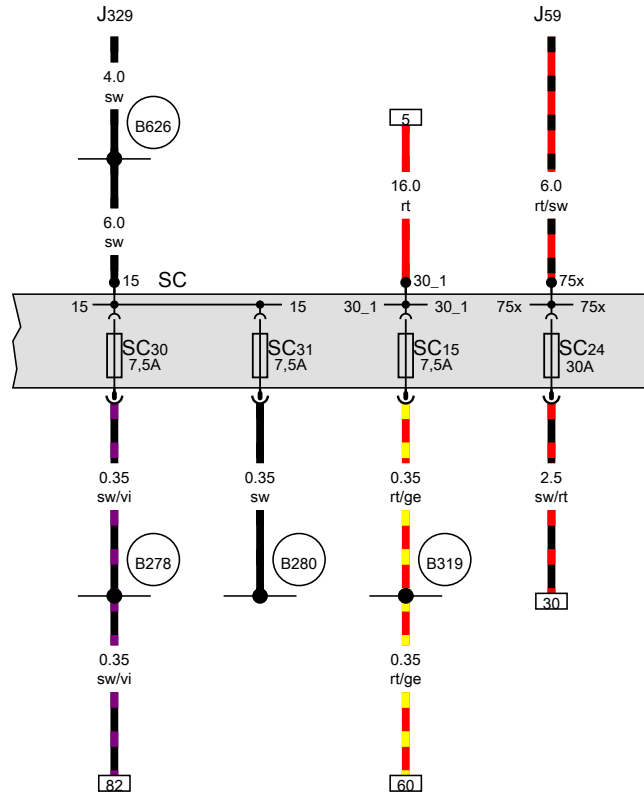
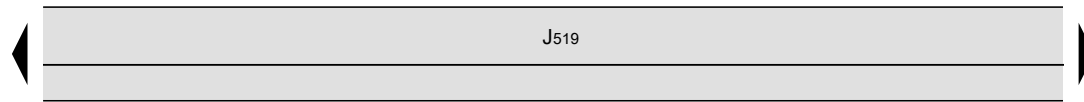
* see applicable current flow diagram for engine



- ws = white
- sw = black
- ro = red
- rt = red
- br = brown
- gn = green
- bl = blue
- gr = grey
- li = purple
- vi = purple
- ge = yellow
- or = orange
- rs = pink

1 2 3 4 5 6 7 8 9 10 11 12 13 14

[NH0-0990202161]



Fuse holder C

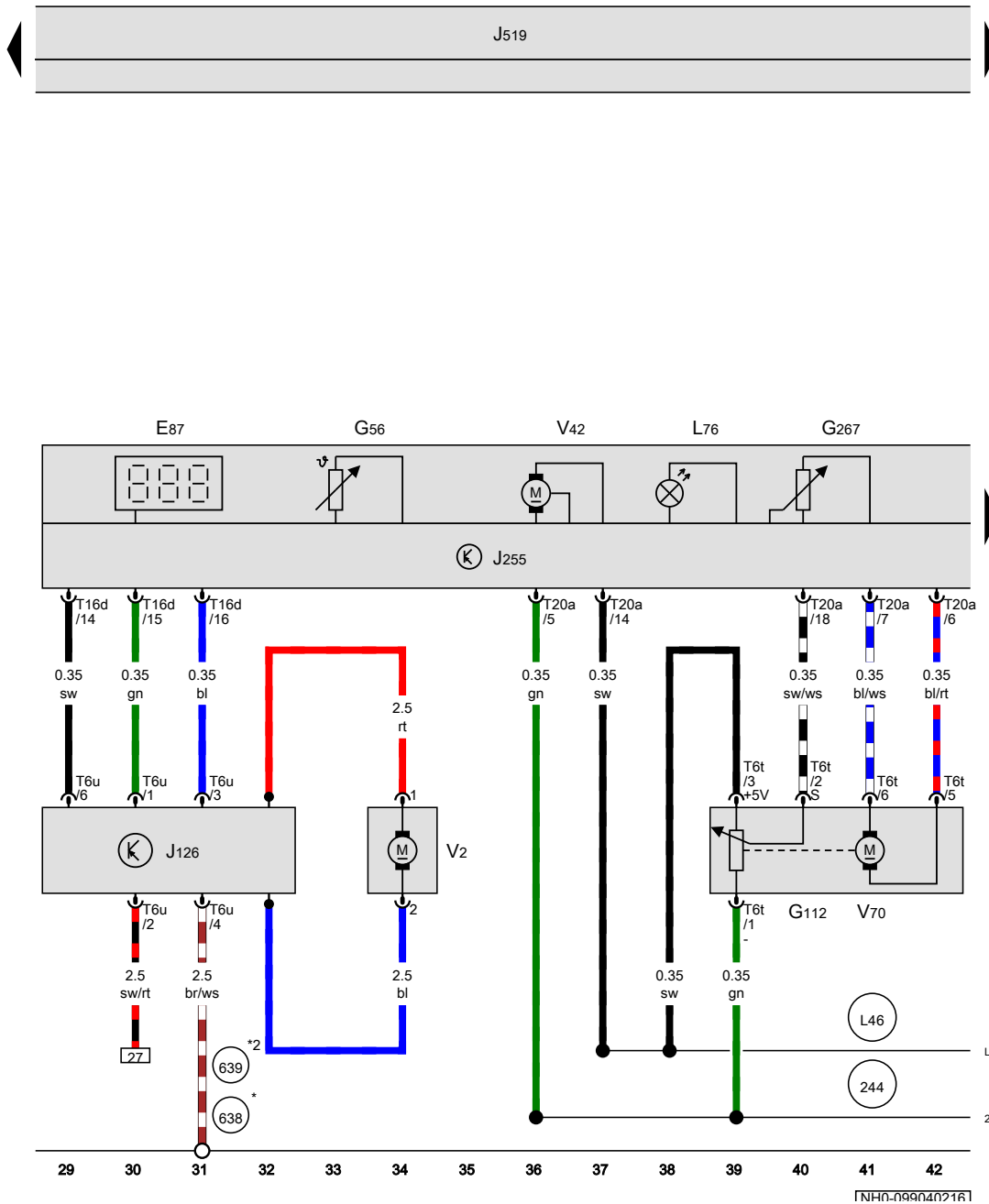
- J59 X-contact relief relay
- J329 Terminal 15 voltage supply relay
- J519 Onboard supply control unit
- SC Fuse holder C
- SC15 Fuse 15 on fuse holder C
- SC24 Fuse 24 on fuse holder C
- SC30 Fuse 30 on fuse holder C
- SC31 Fuse 31 on fuse holder C

- B278 Positive connection 2 (15a) in main wiring harness
- B280 Positive connection 4 (15a) in main wiring harness
- B319 Positive connection 5 (30a) in main wiring harness
- B626 Positive connection 2 (15), in main wiring harness

- ws = white
- sw = black
- ro = red
- rt = red
- br = brown
- gn = green
- bl = blue
- gr = grey
- li = purple
- vi = purple
- ge = yellow
- or = orange
- rs = pink

15 16 17 18 19 20 21 22 23 24 25 26 27 28

[NH0-099030216]

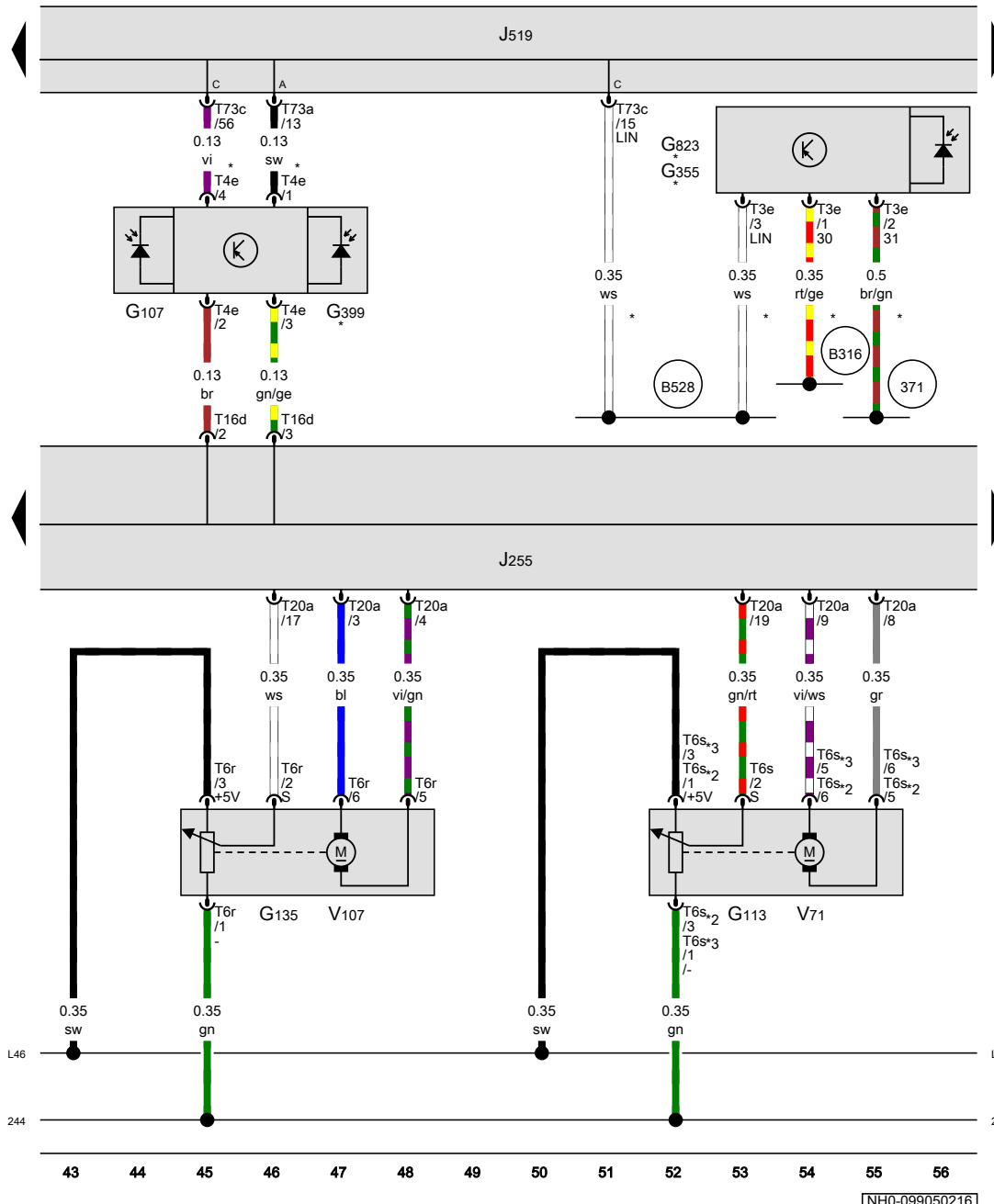


Fresh air blower control unit, Climatronic control unit, Fresh air blower, Centre flap control motor

- E87 Operating and display unit for front air conditioning system
- G56 Dash panel temperature sensor
- G112 Potentiometer for centre flap control motor
- G267 Potentiometer for temperature selection rotary knob
- J126 Fresh air blower control unit
- J255 Climatronic control unit
- J519 Onboard supply control unit
- L76 Button illumination bulb
- T6t 6-pin connector
- T6u 6-pin connector
- T16d 16-pin connector
- T20a 20-pin connector
- V2 Fresh air blower
- V42 Temperature sensor blower
- V70 Centre flap control motor

- 244 Earth connection (sender earth), in Climatronic wiring harness
- 638 Earth point, on right A-pillar
- 639 Earth point, left A-pillar
- L46 Connection (5 Volt), in Climatronic operating unit wiring harness
- * Only left-hand drive models
- *2 Only right-hand drive models

- ws = white
- sw = black
- ro = red
- rt = red
- br = brown
- gn = green
- bl = blue
- gr = grey
- li = purple
- vi = purple
- ge = yellow
- or = orange
- rs = pink



Sunlight penetration photosensor, Humidity sender, Light sensor, Air humidity, rain and light sensor, Climatronic control unit, Air flow flap control motor, Defroster flap control motor

- G107 Sunlight penetration photosensor
- G113 Potentiometer for air flow flap control motor
- G135 Potentiometer for defroster flap control motor
- G355 Humidity sender
- G399 Light sensor
- G823 Air humidity, rain and light sensor
- J255 Climatronic control unit
- J519 Onboard supply control unit
- T3e 3-pin connector
- T4e 4-pin connector
- T6r 6-pin connector
- T6s 6-pin connector
- T16d 16-pin connector
- T20a 20-pin connector
- T73a 73-pin connector, black
- T73c 73-pin connector, black
- V71 Air flow flap control motor
- V107 Defroster flap control motor

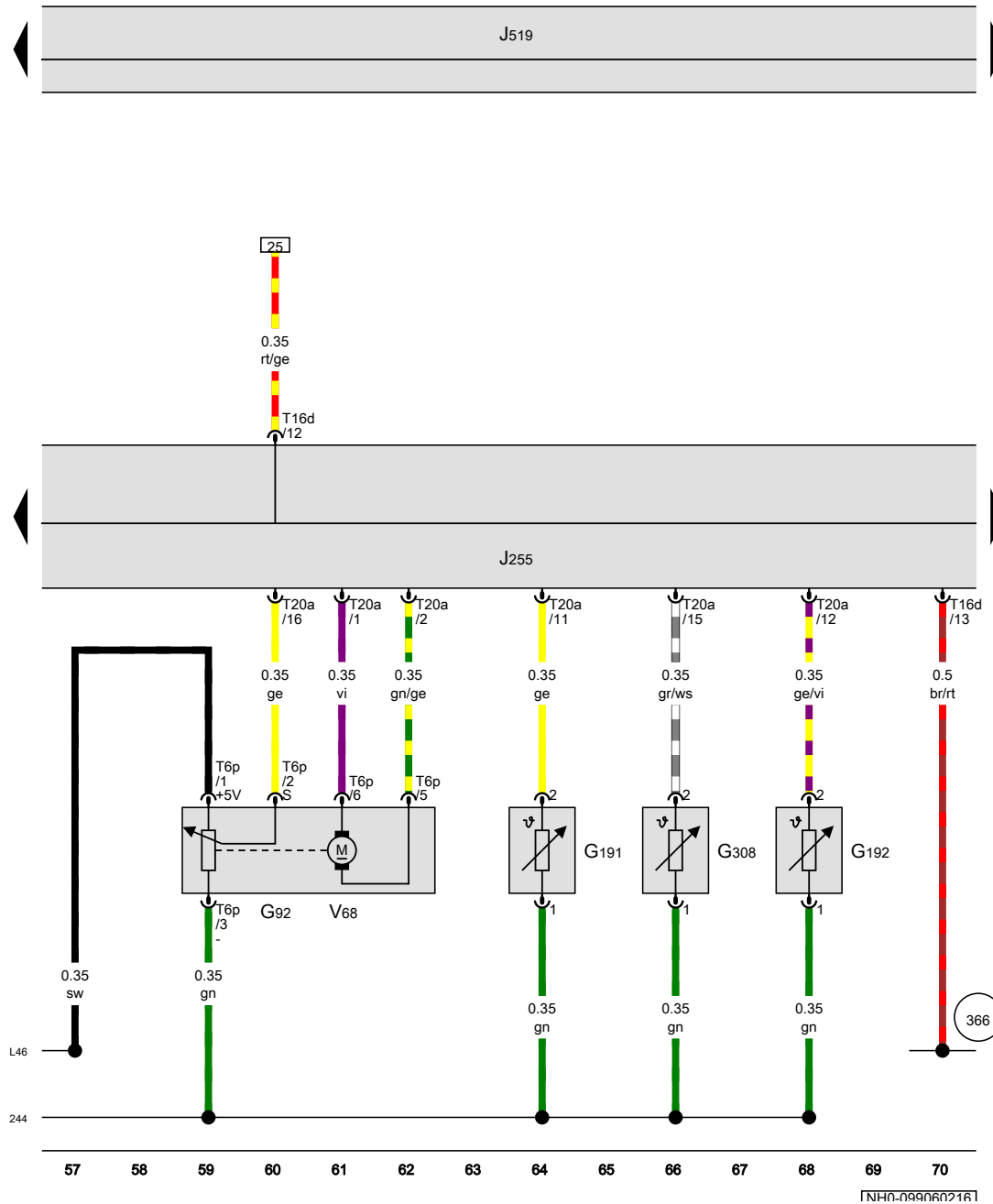
- (244) Earth connection (sender earth), in Climatronic wiring harness
- (371) Earth connection 6, in main wiring harness
- (B316) Positive connection 2 (30a) in main wiring harness
- (B528) Connection 1 (LIN bus) in main wiring harness
- (L46) Connection (5 Volt), in Climatronic operating unit wiring harness
- * According to equipment
- *2 Only left-hand drive models
- *3 Only right-hand drive models

- ws = white
- sw = black
- ro = red
- rt = red
- br = brown
- gn = green
- bl = blue
- gr = grey
- li = purple
- vi = purple
- ge = yellow
- or = orange
- rs = pink

Centre vent temperature sender, Footwell vent temperature sender, Evaporator temperature sensor, Climatronic control unit, Temperature flap control motor

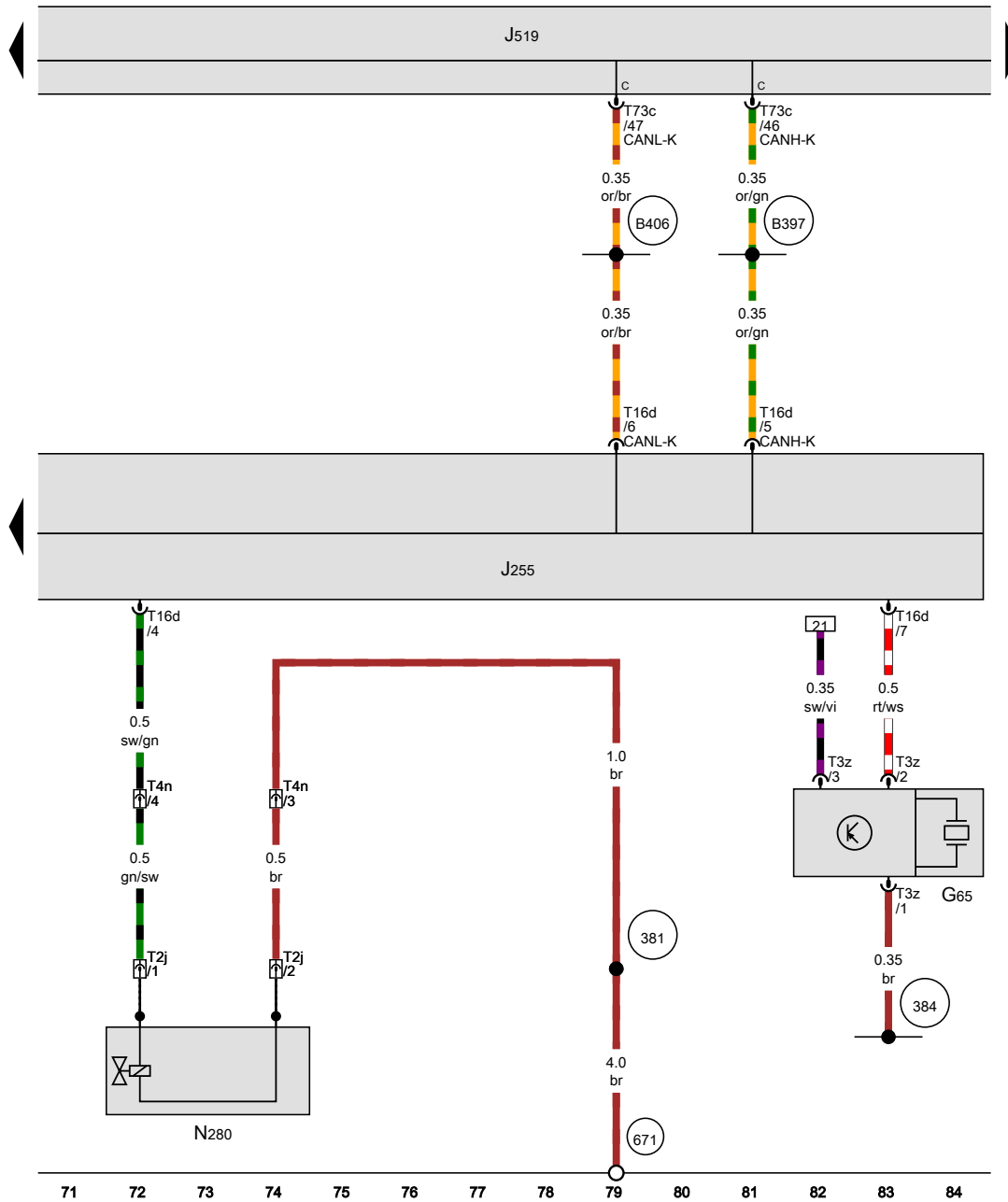
- G92 Potentiometer for temperature flap control motor
- G191 Centre vent temperature sender
- G192 Footwell vent temperature sender
- G308 Evaporator temperature sensor
- J255 Climatronic control unit
- J519 Onboard supply control unit
- T6p 6-pin connector
- T16d 16-pin connector
- T20a 20-pin connector
- V68 Temperature flap control motor

- 244 Earth connection (sender earth), in Climatronic wiring harness
- 366 Earth connection 1, in main wiring harness
- L46 Connection (5 Volt), in Climatronic operating unit wiring harness



- ws = white
- sw = black
- ro = red
- rt = red
- br = brown
- gn = green
- bl = blue
- gr = grey
- li = purple
- vi = purple
- ge = yellow
- or = orange
- rs = pink

1NH0-099060216



High-pressure sender, Climatronic control unit, Air conditioner compressor regulating valve

- G65 High-pressure sender
- J255 Climatronic control unit
- J519 Onboard supply control unit
- N280 Air conditioner compressor regulating valve
- T2j 2-pin connector
- T3z 3-pin connector
- T4n 4-pin connector, front left in engine compartment
- T16d 16-pin connector
- T73c 73-pin connector, black

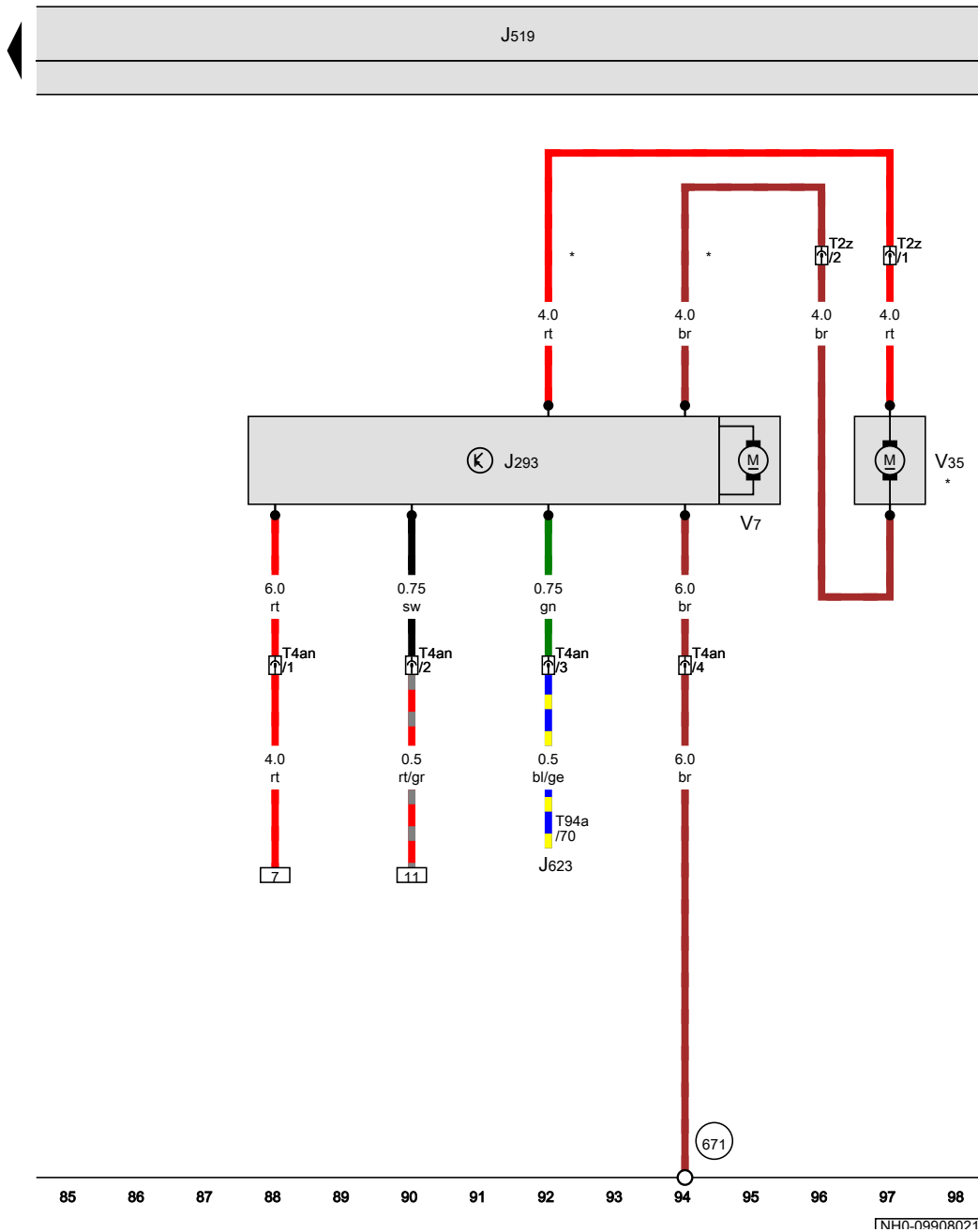
- 381 Earth connection 16, in main wiring harness
- 384 Earth connection 19, in main wiring harness
- 671 Earth point 1, on front of left longitudinal member
- B397 Connection 1 (convenience CAN bus, high), in main wiring harness
- B406 Connection 1 (convenience CAN bus, low), in main wiring harness

- ws = white
- sw = black
- ro = red
- rt = red
- br = brown
- gn = green
- bl = blue
- gr = grey
- li = purple
- vi = purple
- ge = yellow
- or = orange
- rs = pink

[NHN-099070216]

Radiator fan control unit, Radiator fan, Right radiator fan

- J293 Radiator fan control unit
- J519 Onboard supply control unit
- J623 Engine control unit
- T2z 2-pin connector, on radiator fan
- T4an 4-pin connector
- T94a 94-pin connector
- V7 Radiator fan
- V35 Right radiator fan
- 671 Earth point 1, on front of left longitudinal member
- * Only models with two radiator fans



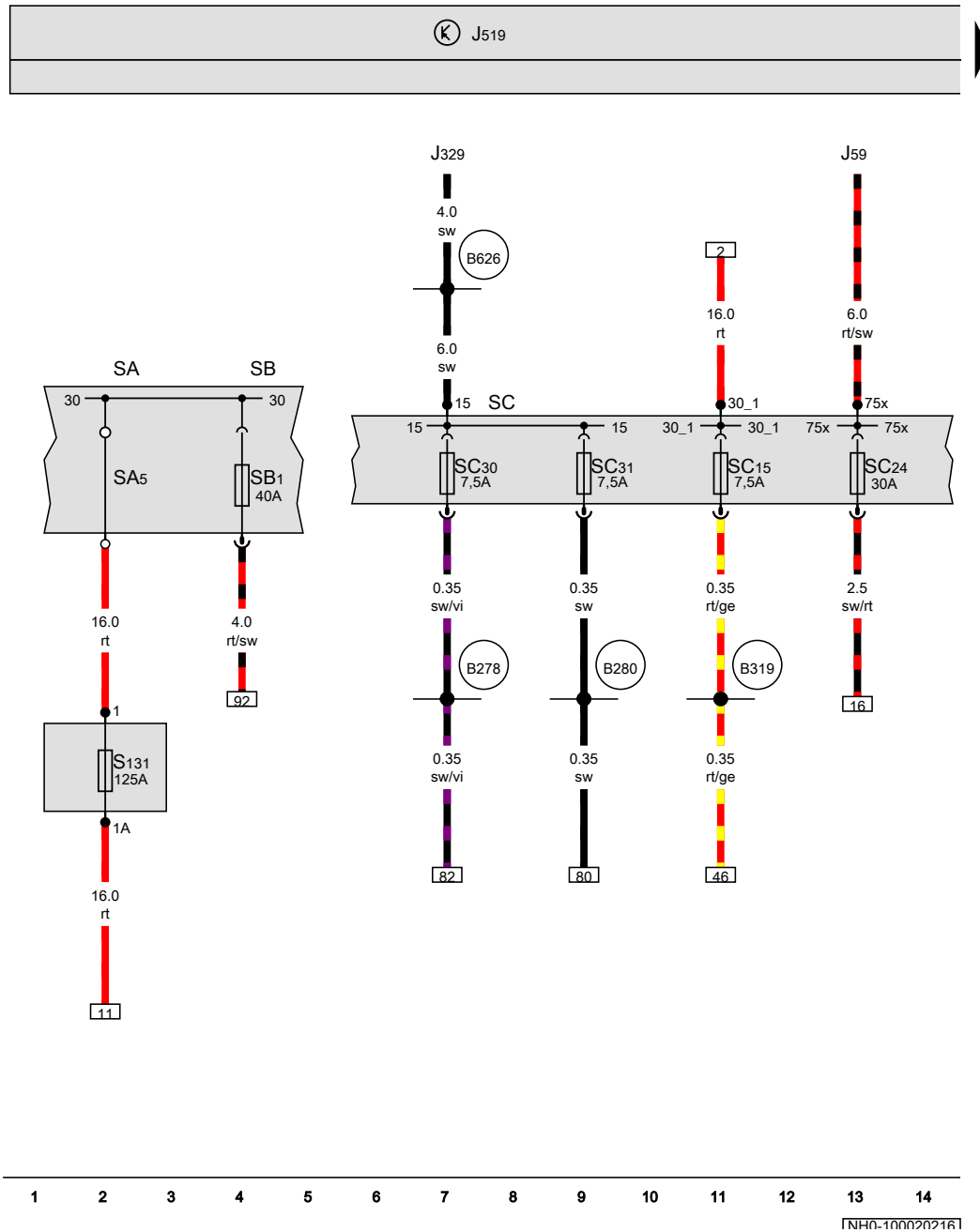
- ws = white
- sw = black
- ro = red
- rt = red
- br = brown
- gn = green
- bl = blue
- gr = grey
- li = purple
- vi = purple
- ge = yellow
- or = orange
- rs = pink

Climatronic , CWVB,CWVA
From November 2015

Fuse holder A, Fuse holder B, Fuse holder C

- J59 X-contact relief relay
- J329 Terminal 15 voltage supply relay
- J519 Onboard supply control unit
- SA Fuse holder A
- SB Fuse holder B
- SB1 Fuse 1 on fuse holder B
- SA5 Fuse 5 in fuse holder A
- S131 Fuse 1, in main wiring harness
- SC Fuse holder C
- SC15 Fuse 15 on fuse holder C
- SC24 Fuse 24 on fuse holder C
- SC30 Fuse 30 on fuse holder C
- SC31 Fuse 31 on fuse holder C

- (B278) Positive connection 2 (15a) in main wiring harness
- (B280) Positive connection 4 (15a) in main wiring harness
- (B319) Positive connection 5 (30a) in main wiring harness
- (B626) Positive connection 2 (15), in main wiring harness

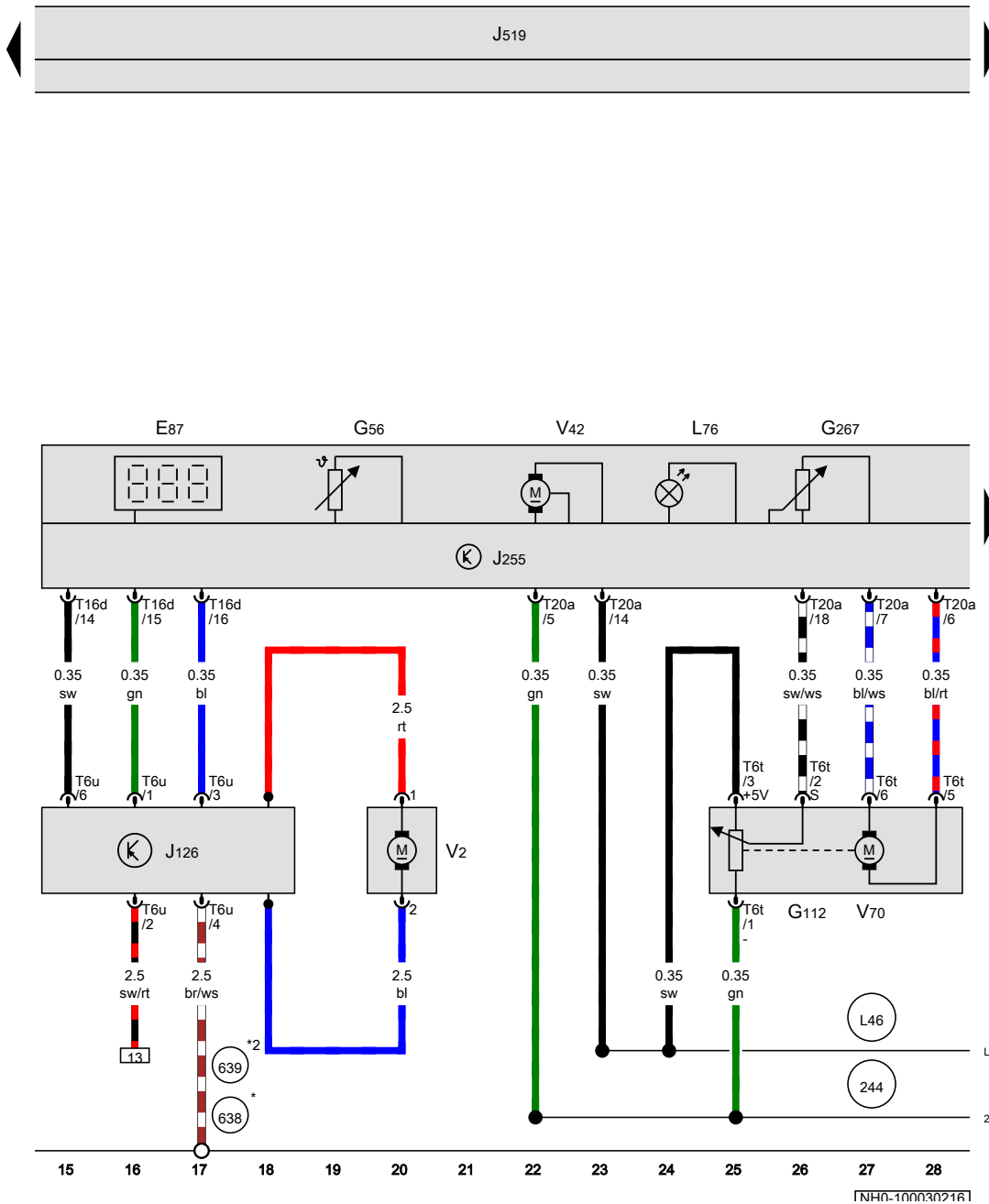


[NH0-100020216]

Fresh air blower control unit, Climatronic control unit, Fresh air blower, Centre flap control motor

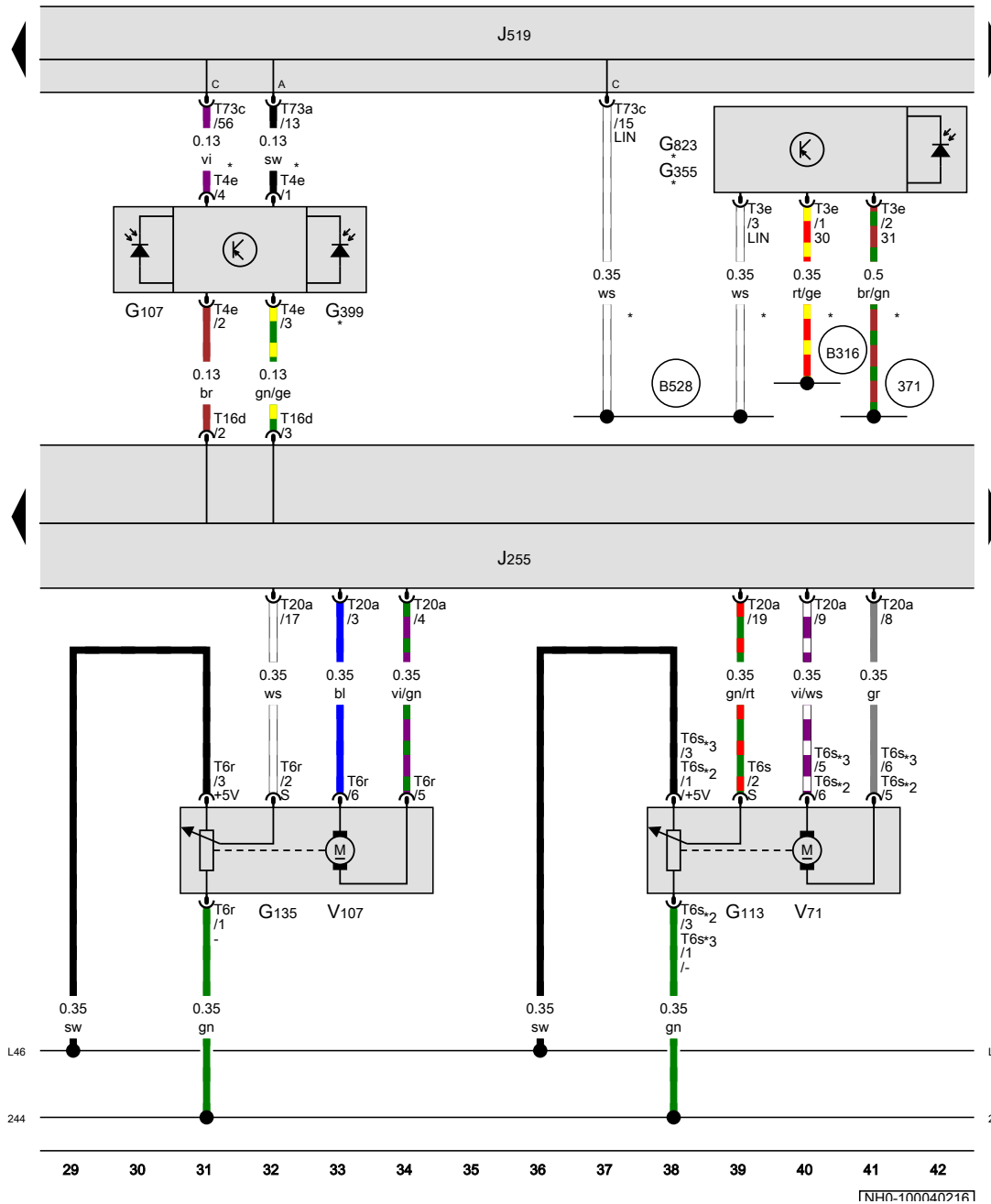
- E87 Operating and display unit for front air conditioning system
- G56 Dash panel temperature sensor
- G112 Potentiometer for centre flap control motor
- G267 Potentiometer for temperature selection rotary knob
- J126 Fresh air blower control unit
- J255 Climatronic control unit
- J519 Onboard supply control unit
- L76 Button illumination bulb
- T6t 6-pin connector
- T6u 6-pin connector
- T16d 16-pin connector
- T20a 20-pin connector
- V2 Fresh air blower
- V42 Temperature sensor blower
- V70 Centre flap control motor

- 244 Earth connection (sender earth), in Climatronic wiring harness
- 638 Earth point, on right A-pillar
- 639 Earth point, left A-pillar
- L46 Connection (5 Volt), in Climatronic operating unit wiring harness
- * Only left-hand drive models
- *2 Only right-hand drive models



- ws = white
- sw = black
- ro = red
- rt = red
- br = brown
- gn = green
- bl = blue
- gr = grey
- li = purple
- vi = purple
- ge = yellow
- or = orange
- rs = pink

[NH0-100030216]



Sunlight penetration photosensor, Humidity sender, Light sensor, Air humidity, rain and light sensor, Climatronic control unit, Air flow flap control motor, Defroster flap control motor

- G107 Sunlight penetration photosensor
- G113 Potentiometer for air flow flap control motor
- G135 Potentiometer for defroster flap control motor
- G355 Humidity sender
- G399 Light sensor
- G823 Air humidity, rain and light sensor
- J255 Climatronic control unit
- J519 Onboard supply control unit
- T3e 3-pin connector
- T4e 4-pin connector
- T6r 6-pin connector
- T6s 6-pin connector
- T16d 16-pin connector
- T20a 20-pin connector
- T73a 73-pin connector, black
- T73c 73-pin connector, black
- V71 Air flow flap control motor
- V107 Defroster flap control motor

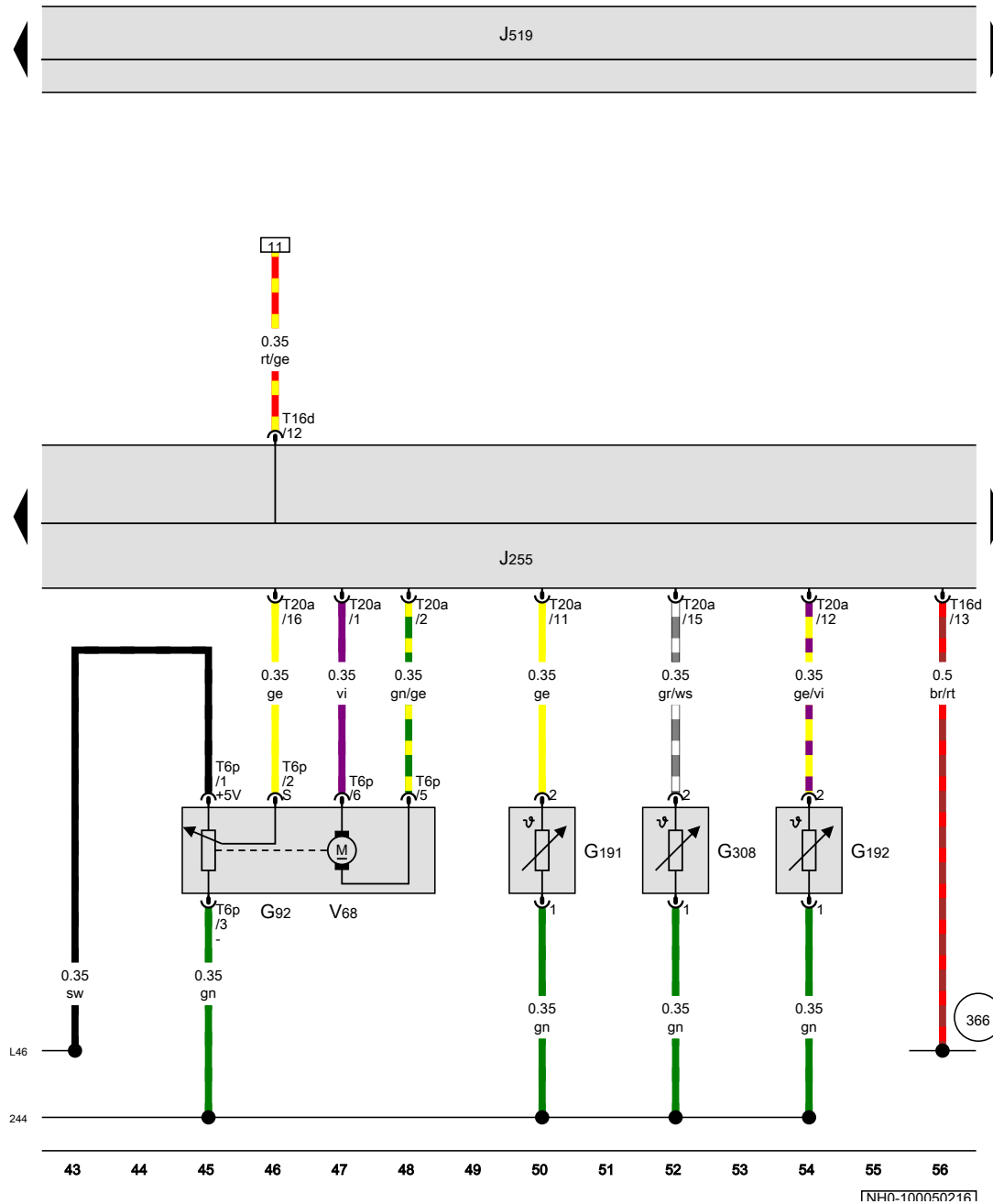
- (244) Earth connection (sender earth), in Climatronic wiring harness
- (371) Earth connection 6, in main wiring harness
- (B316) Positive connection 2 (30a) in main wiring harness
- (B528) Connection 1 (LIN bus) in main wiring harness
- (L46) Connection (5 Volt), in Climatronic operating unit wiring harness
- * According to equipment
- *2 Only left-hand drive models
- *3 Only right-hand drive models

- ws = white
- sw = black
- ro = red
- rt = red
- br = brown
- gn = green
- bl = blue
- gr = grey
- li = purple
- vi = purple
- ge = yellow
- or = orange
- rs = pink

Centre vent temperature sender, Footwell vent temperature sender, Evaporator temperature sensor, Climatronic control unit, Temperature flap control motor

- G92 Potentiometer for temperature flap control motor
- G191 Centre vent temperature sender
- G192 Footwell vent temperature sender
- G308 Evaporator temperature sensor
- J255 Climatronic control unit
- J519 Onboard supply control unit
- T6p 6-pin connector
- T16d 16-pin connector
- T20a 20-pin connector
- V68 Temperature flap control motor

- 244 Earth connection (sender earth), in Climatronic wiring harness
- 366 Earth connection 1, in main wiring harness
- L46 Connection (5 Volt), in Climatronic operating unit wiring harness



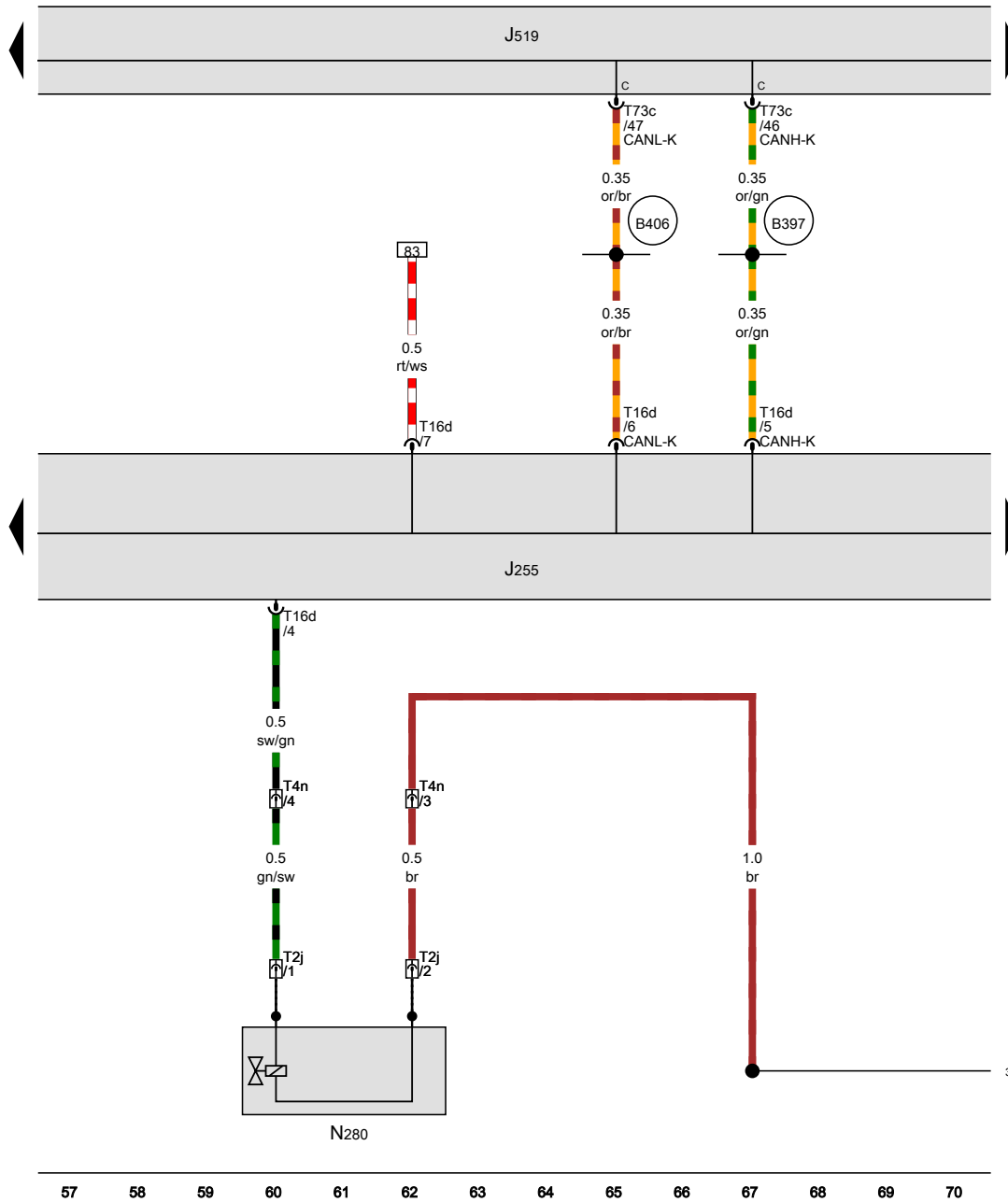
- ws = white
- sw = black
- ro = red
- rt = red
- br = brown
- gn = green
- bl = blue
- gr = grey
- li = purple
- vi = purple
- ge = yellow
- or = orange
- rs = pink

[NH0-100050216]

Climatronic control unit, Air conditioner compressor regulating valve

- J255 Climatronic control unit
- J519 Onboard supply control unit
- N280 Air conditioner compressor regulating valve
- T2j 2-pin connector
- T4n 4-pin connector, front left in engine compartment
- T16d 16-pin connector
- T73c 73-pin connector, black

- 381 Earth connection 16, in main wiring harness
- B397 Connection 1 (convenience CAN bus, high), in main wiring harness
- B406 Connection 1 (convenience CAN bus, low), in main wiring harness



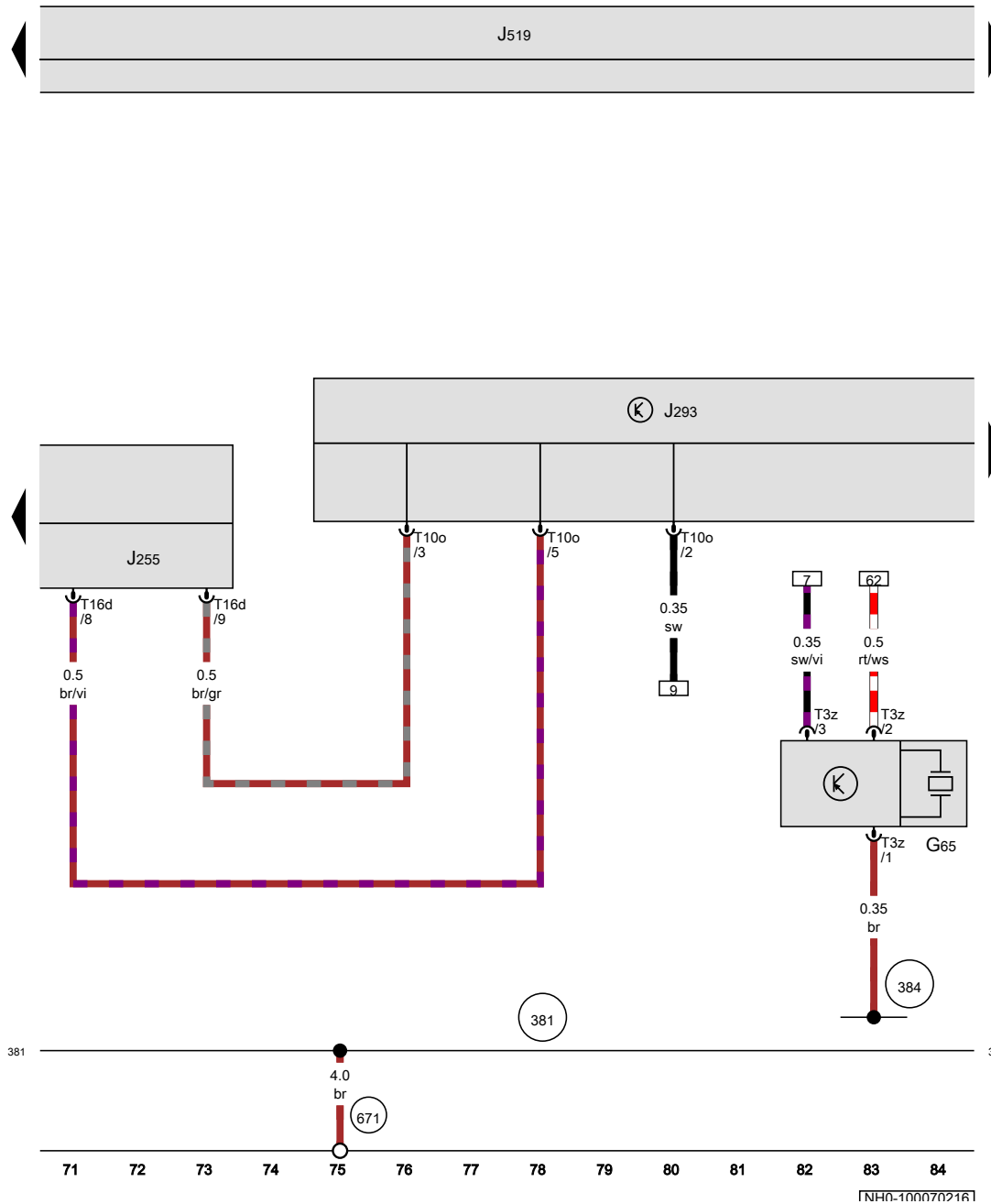
- ws = white
- sw = black
- ro = red
- rt = red
- br = brown
- gn = green
- bl = blue
- gr = grey
- li = purple
- vi = purple
- ge = yellow
- or = orange
- rs = pink

[NH0-100060216]

High-pressure sender, Climatronic control unit, Radiator fan control unit

- G65 High-pressure sender
- J255 Climatronic control unit
- J293 Radiator fan control unit
- J519 Onboard supply control unit
- T3z 3-pin connector
- T10o 10-pin connector
- T16d 16-pin connector

- 381 Earth connection 16, in main wiring harness
- 384 Earth connection 19, in main wiring harness
- 671 Earth point 1, on front of left longitudinal member



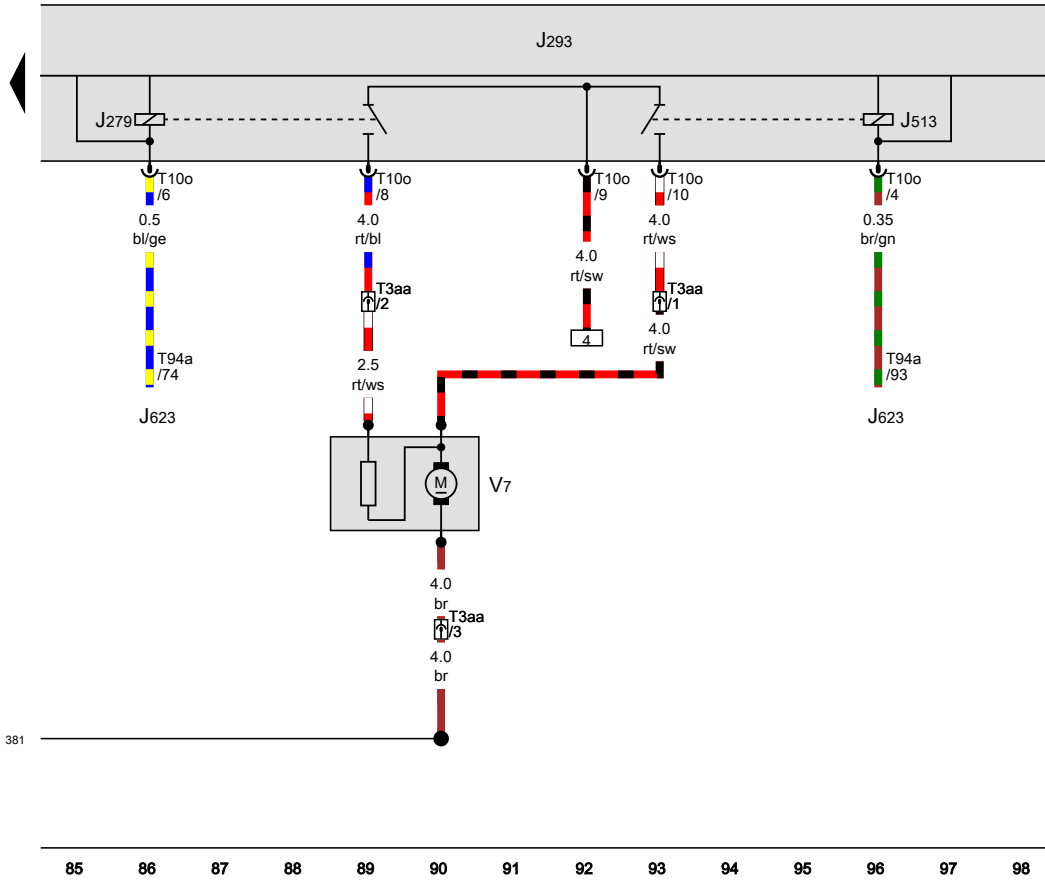
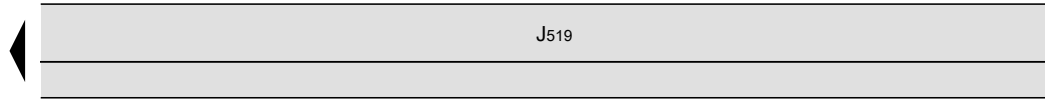
- ws = white
- sw = black
- ro = red
- rt = red
- br = brown
- gn = green
- bl = blue
- gr = grey
- li = purple
- vi = purple
- ge = yellow
- or = orange
- rs = pink

[NH0-100070216]

Radiator fan control unit, Radiator fan

- J279 Radiator fan V7 and V35 relay - 1st speed
- J293 Radiator fan control unit
- J513 Radiator fan V7 and V35 relay, 2nd speed
- J519 Onboard supply control unit
- J623 Engine control unit
- T3aa 3-pin connector, on radiator fan
- T10o 10-pin connector
- T94a 94-pin connector
- V7 Radiator fan

381 Earth connection 16, in main wiring harness



- ws = white
- sw = black
- ro = red
- rt = red
- br = brown
- gn = green
- bl = blue
- gr = grey
- li = purple
- vi = purple
- ge = yellow
- or = orange
- rs = pink

85 86 87 88 89 90 91 92 93 94 95 96 97 98

[NH0-1000R0216]

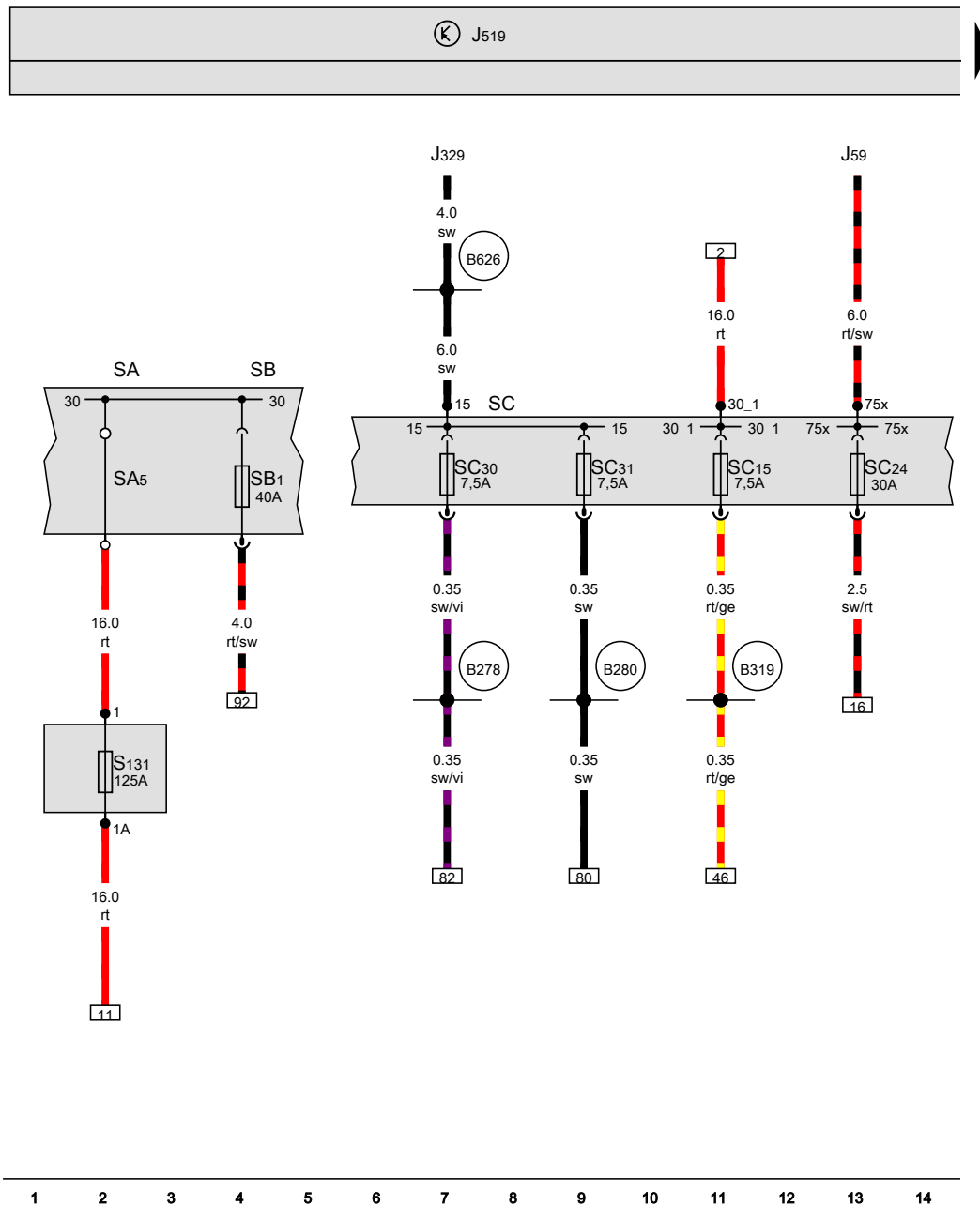
Climatronic , CUSB

From November 2015

Fuse holder A, Fuse holder B, Fuse holder C

- J59 X-contact relief relay
- J329 Terminal 15 voltage supply relay
- J519 Onboard supply control unit
- SA Fuse holder A
- SB Fuse holder B
- SB1 Fuse 1 on fuse holder B
- SA5 Fuse 5 in fuse holder A
- S131 Fuse 1, in main wiring harness
- SC Fuse holder C
- SC15 Fuse 15 on fuse holder C
- SC24 Fuse 24 on fuse holder C
- SC30 Fuse 30 on fuse holder C
- SC31 Fuse 31 on fuse holder C

- (B278) Positive connection 2 (15a) in main wiring harness
- (B280) Positive connection 4 (15a) in main wiring harness
- (B319) Positive connection 5 (30a) in main wiring harness
- (B626) Positive connection 2 (15), in main wiring harness

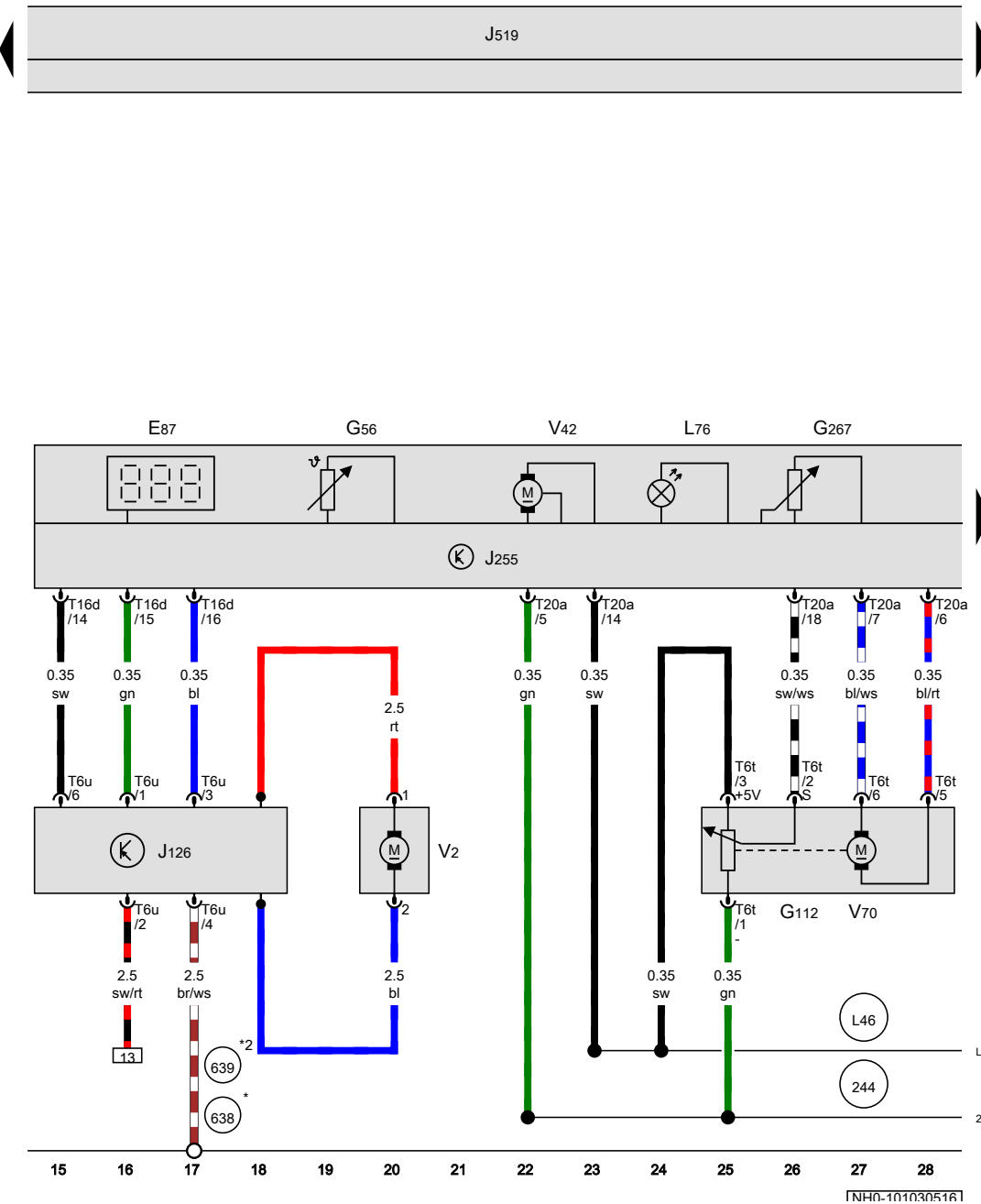


- ws = white
- sw = black
- ro = red
- rt = red
- br = brown
- gn = green
- bl = blue
- gr = grey
- li = purple
- vi = purple
- ge = yellow
- or = orange
- rs = pink

Fresh air blower control unit, Climatronic control unit, Fresh air blower, Centre flap control motor

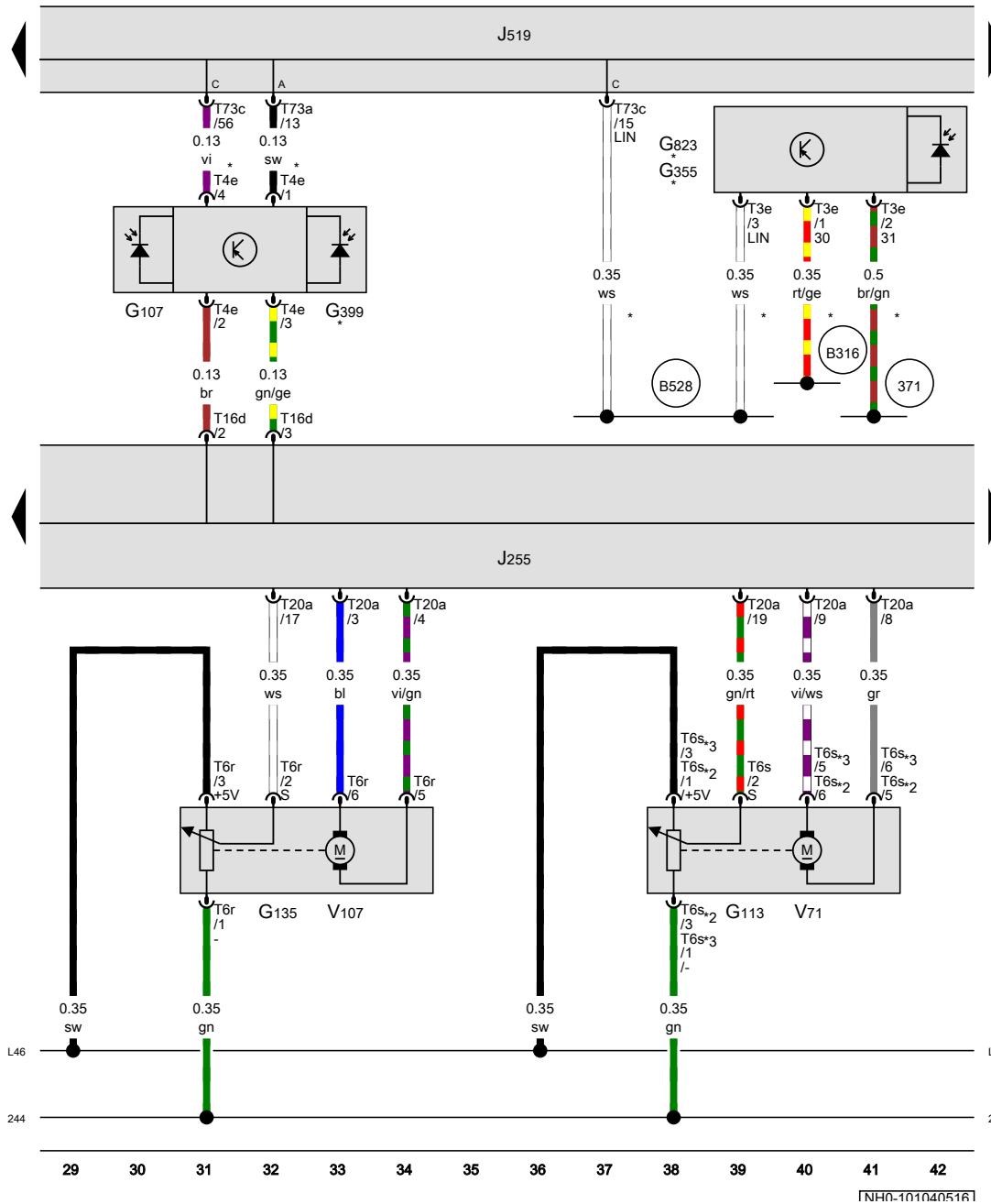
- E87 Operating and display unit for front air conditioning system
- G56 Dash panel temperature sensor
- G112 Potentiometer for centre flap control motor
- G267 Potentiometer for temperature selection rotary knob
- J126 Fresh air blower control unit
- J255 Climatronic control unit
- J519 Onboard supply control unit
- L76 Button illumination bulb
- T6t 6-pin connector
- T6u 6-pin connector
- T16d 16-pin connector
- T20a 20-pin connector
- V2 Fresh air blower
- V42 Temperature sensor blower
- V70 Centre flap control motor

- 244 Earth connection (sender earth), in Climatronic wiring harness
- 638 Earth point, on right A-pillar
- 639 Earth point, left A-pillar
- L46 Connection (5 Volt), in Climatronic operating unit wiring harness
- * Only left-hand drive models
- *2 Only right-hand drive models



- ws = white
- sw = black
- ro = red
- rt = red
- br = brown
- gn = green
- bl = blue
- gr = grey
- li = purple
- vi = purple
- ge = yellow
- or = orange
- rs = pink

[NH0-101030516]



Sunlight penetration photosensor, Humidity sender, Light sensor, Air humidity, rain and light sensor, Climatronic control unit, Air flow flap control motor, Defroster flap control motor

- G107 Sunlight penetration photosensor
- G113 Potentiometer for air flow flap control motor
- G135 Potentiometer for defroster flap control motor
- G355 Humidity sender
- G399 Light sensor
- G823 Air humidity, rain and light sensor
- J255 Climatronic control unit
- J519 Onboard supply control unit
- T3e 3-pin connector
- T4e 4-pin connector
- T6r 6-pin connector
- T6s 6-pin connector
- T16d 16-pin connector
- T20a 20-pin connector
- T73a 73-pin connector, black
- T73c 73-pin connector, black
- V71 Air flow flap control motor
- V107 Defroster flap control motor

- (244) Earth connection (sender earth), in Climatronic wiring harness
- (371) Earth connection 6, in main wiring harness
- (B316) Positive connection 2 (30a) in main wiring harness
- (B528) Connection 1 (LIN bus) in main wiring harness
- (L46) Connection (5 Volt), in Climatronic operating unit wiring harness

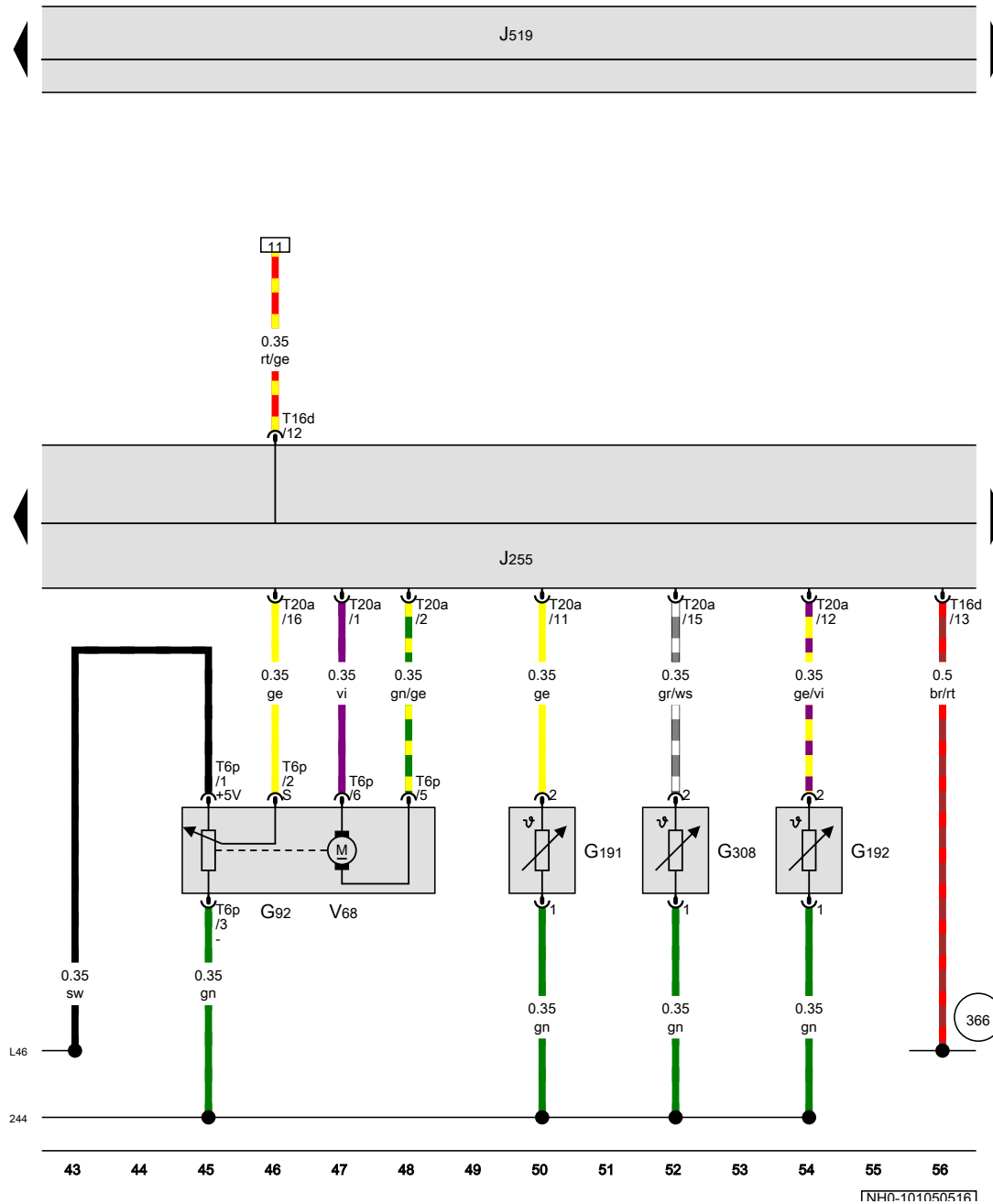
- * According to equipment
- *2 Only left-hand drive models
- *3 Only right-hand drive models

- ws = white
- sw = black
- ro = red
- rt = red
- br = brown
- gn = green
- bl = blue
- gr = grey
- li = purple
- vi = purple
- ge = yellow
- or = orange
- rs = pink

Centre vent temperature sender, Footwell vent temperature sender, Evaporator temperature sensor, Climatronic control unit, Temperature flap control motor

- G92 Potentiometer for temperature flap control motor
- G191 Centre vent temperature sender
- G192 Footwell vent temperature sender
- G308 Evaporator temperature sensor
- J255 Climatronic control unit
- J519 Onboard supply control unit
- T6p 6-pin connector
- T16d 16-pin connector
- T20a 20-pin connector
- V68 Temperature flap control motor

- 244 Earth connection (sender earth), in Climatronic wiring harness
- 366 Earth connection 1, in main wiring harness
- L46 Connection (5 Volt), in Climatronic operating unit wiring harness



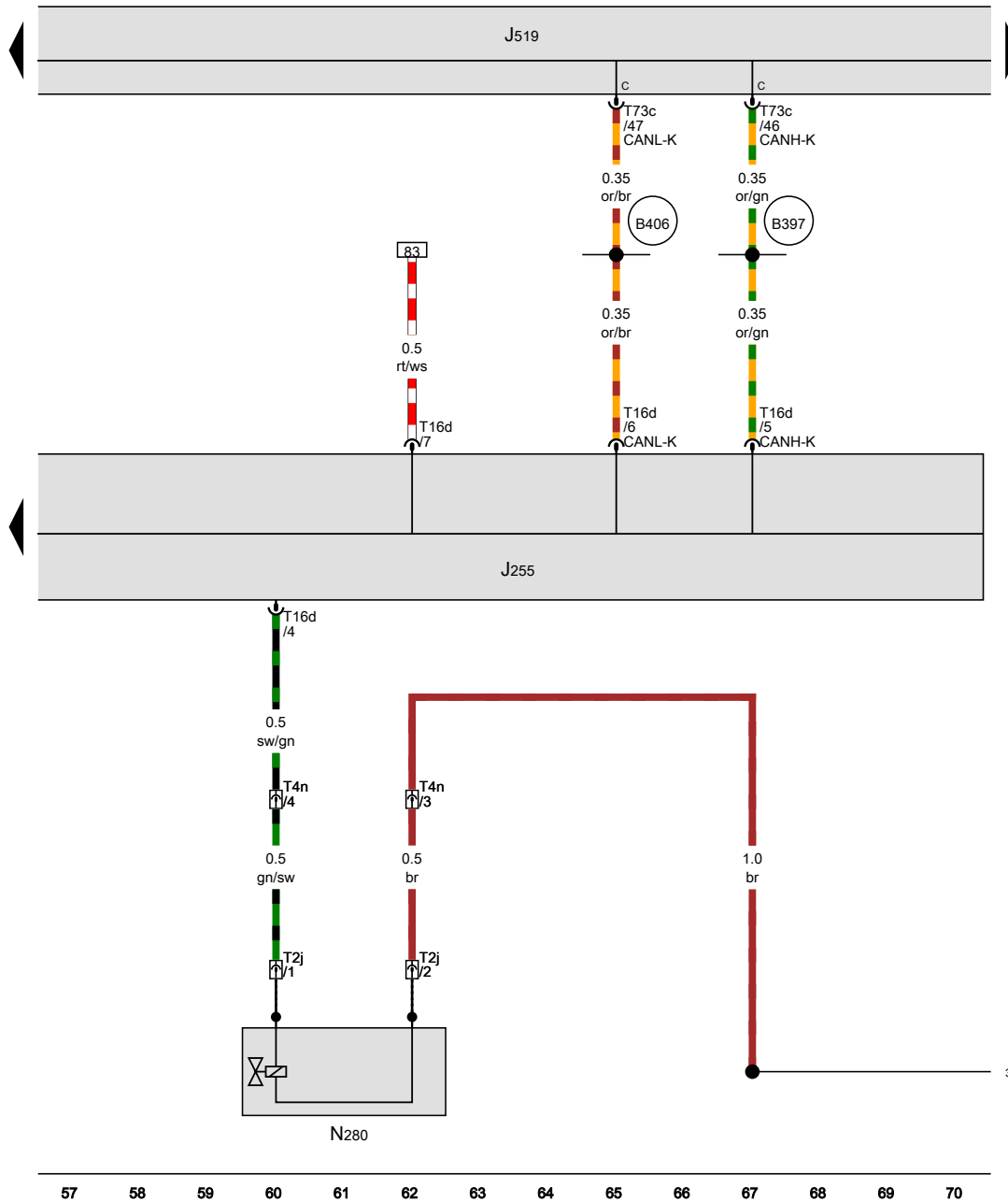
- ws = white
- sw = black
- ro = red
- rt = red
- br = brown
- gn = green
- bl = blue
- gr = grey
- li = purple
- vi = purple
- ge = yellow
- or = orange
- rs = pink

[NH0-101050516]

Climatronic control unit, Air conditioner compressor regulating valve

- J255 Climatronic control unit
- J519 Onboard supply control unit
- N280 Air conditioner compressor regulating valve
- T2j 2-pin connector
- T4n 4-pin connector, front left in engine compartment
- T16d 16-pin connector
- T73c 73-pin connector, black

- 381 Earth connection 16, in main wiring harness
- B397 Connection 1 (convenience CAN bus, high), in main wiring harness
- B406 Connection 1 (convenience CAN bus, low), in main wiring harness



- ws = white
- sw = black
- ro = red
- rt = red
- br = brown
- gn = green
- bl = blue
- gr = grey
- li = purple
- vi = purple
- ge = yellow
- or = orange
- rs = pink

[NH0-101060516]

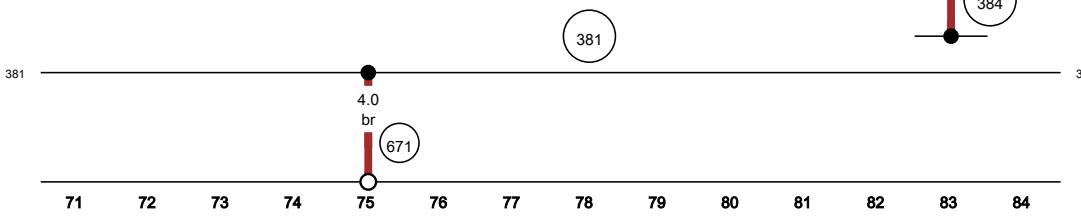
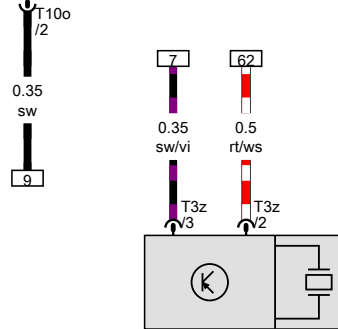
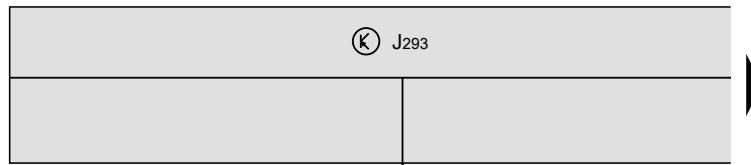
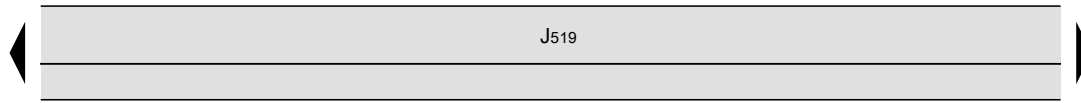
High-pressure sender, Radiator fan control unit

- G65 High-pressure sender
- J293 Radiator fan control unit
- J519 Onboard supply control unit
- T3z 3-pin connector
- T10o 10-pin connector

381 Earth connection 16, in main wiring harness

384 Earth connection 19, in main wiring harness

671 Earth point 1, on front of left longitudinal member



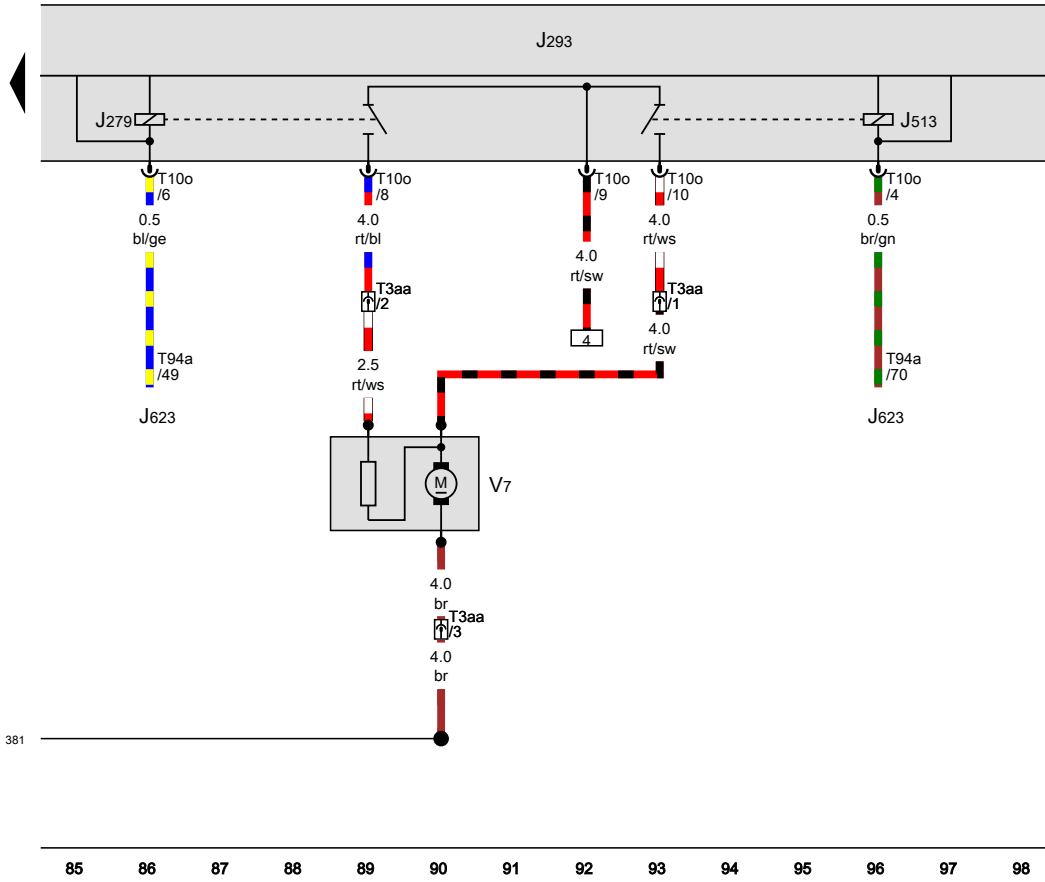
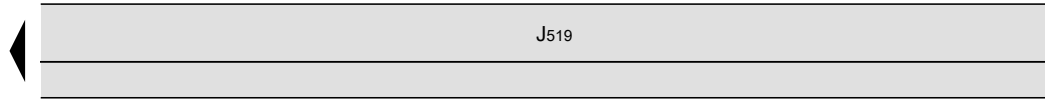
- ws = white
- sw = black
- ro = red
- rt = red
- br = brown
- gn = green
- bl = blue
- gr = grey
- li = purple
- vi = purple
- ge = yellow
- or = orange
- rs = pink

[NH0-101070516]

Radiator fan control unit, Radiator fan

- J279 Radiator fan V7 and V35 relay - 1st speed
- J293 Radiator fan control unit
- J513 Radiator fan V7 and V35 relay, 2nd speed
- J519 Onboard supply control unit
- J623 Engine control unit
- T3aa 3-pin connector, on radiator fan
- T10o 10-pin connector
- T94a 94-pin connector
- V7 Radiator fan

381 Earth connection 16, in main wiring harness



- ws = white
- sw = black
- ro = red
- rt = red
- br = brown
- gn = green
- bl = blue
- gr = grey
- li = purple
- vi = purple
- ge = yellow
- or = orange
- rs = pink

381

85 86 87 88 89 90 91 92 93 94 95 96 97 98

[NH0-101080516]

Climatronic , CXMA
From November 2015

Battery, Fuse holder B, Fuse holder D

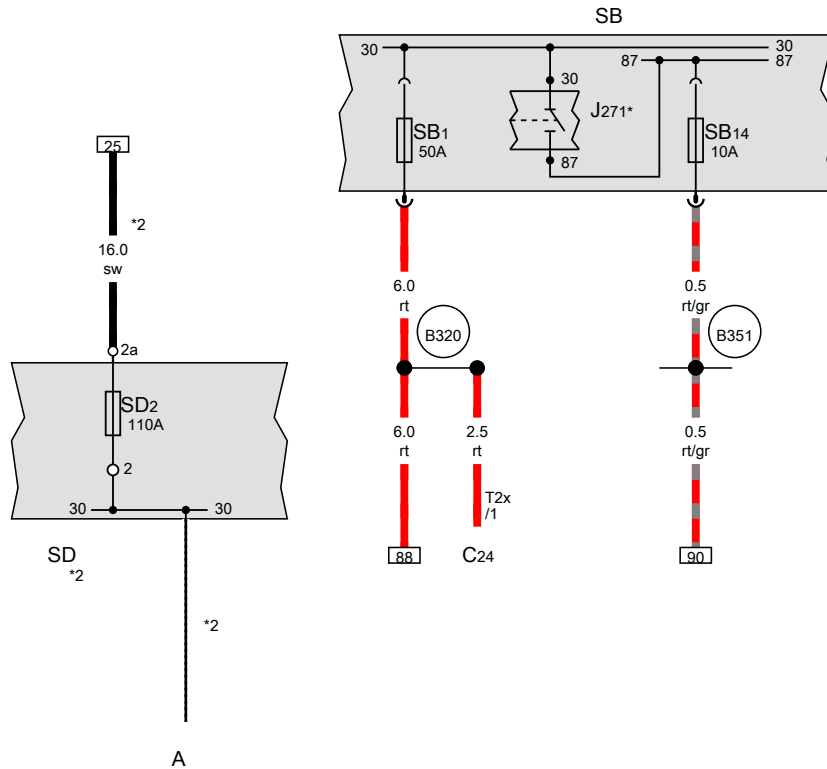
- A Battery
- C24 Suppression filter
- J271 Main relay
- J519 Onboard supply control unit
- SB Fuse holder B
- SB1 Fuse 1 on fuse holder B
- SD2 Fuse 2 on fuse holder D
- SB14 Fuse 14 on fuse holder B
- SD Fuse holder D
- T2x 2-pin connector

B320 Positive connection 6 (30a) in main wiring harness

B351 Positive connection 2 (87a) in main wiring harness

* see applicable current flow diagram for engine

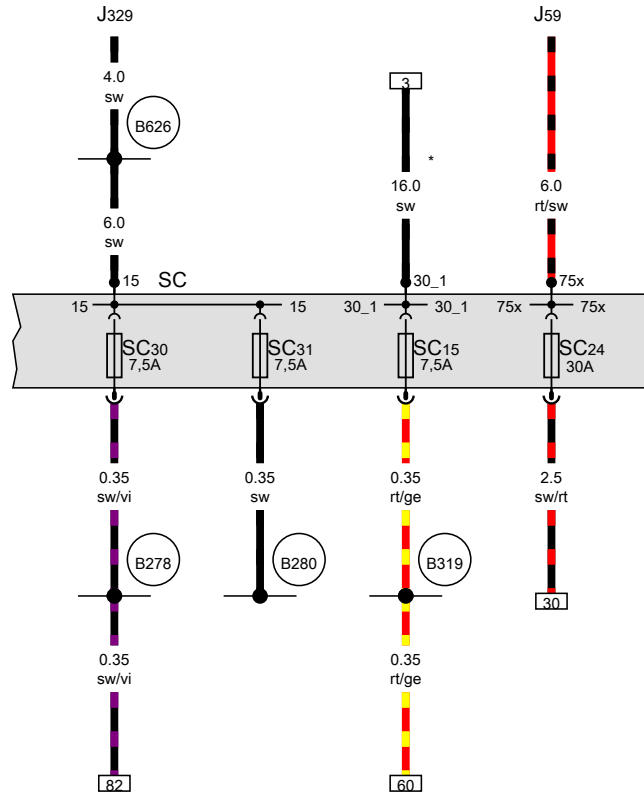
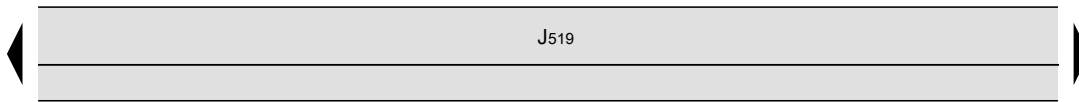
*2 Only models with battery in luggage compartment



- ws = white
- sw = black
- ro = red
- rt = red
- br = brown
- gn = green
- bl = blue
- gr = grey
- li = purple
- vi = purple
- ge = yellow
- or = orange
- rs = pink

1 2 3 4 5 6 7 8 9 10 11 12 13 14

[NH0-102020216]



Fuse holder C

- J59 X-contact relief relay
- J329 Terminal 15 voltage supply relay
- J519 Onboard supply control unit
- SC Fuse holder C
- SC15 Fuse 15 on fuse holder C
- SC24 Fuse 24 on fuse holder C
- SC30 Fuse 30 on fuse holder C
- SC31 Fuse 31 on fuse holder C

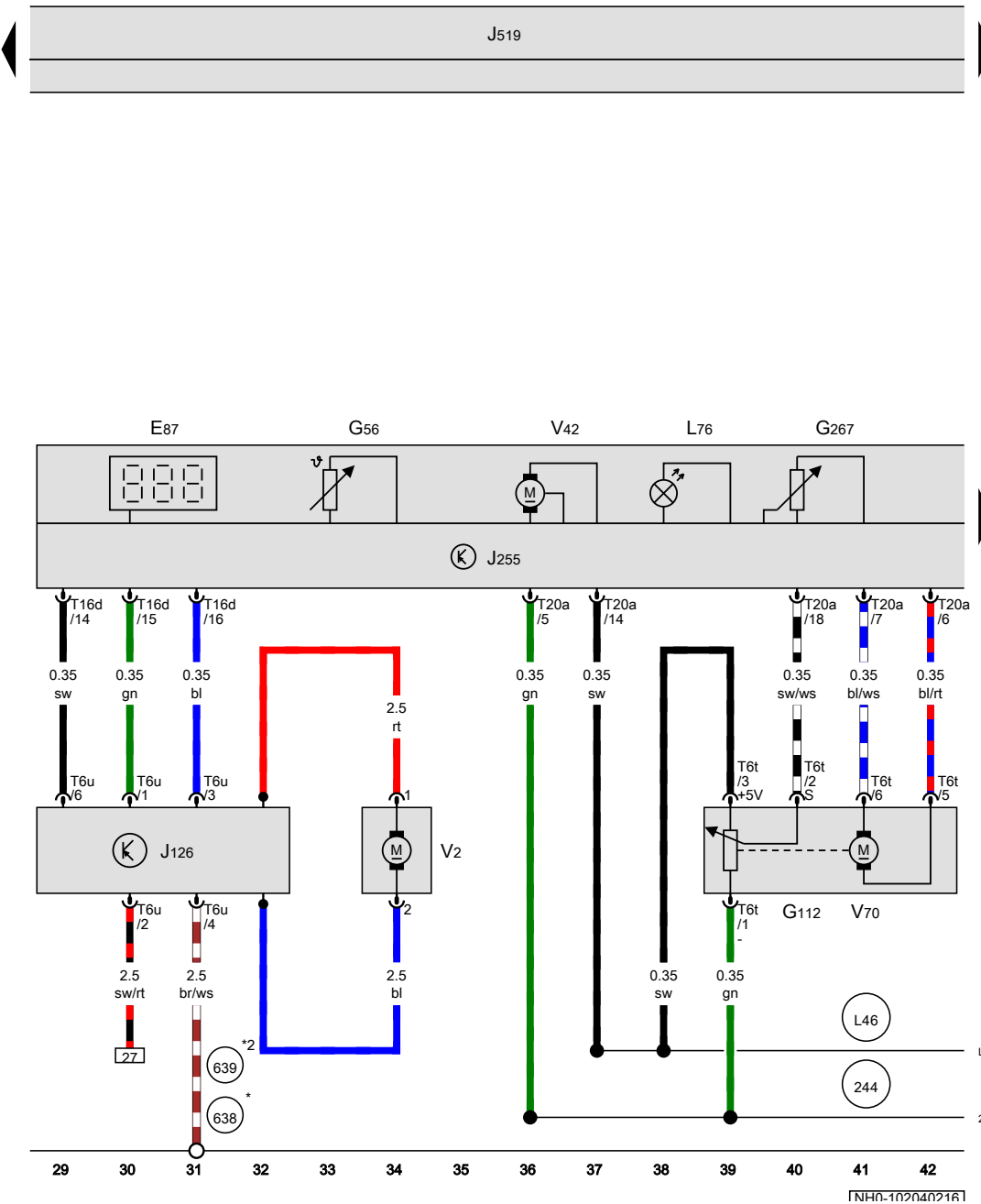
- B278 Positive connection 2 (15a) in main wiring harness
- B280 Positive connection 4 (15a) in main wiring harness
- B319 Positive connection 5 (30a) in main wiring harness
- B626 Positive connection 2 (15), in main wiring harness
- * Only models with battery in luggage compartment

- ws = white
- sw = black
- ro = red
- rt = red
- br = brown
- gn = green
- bl = blue
- gr = grey
- li = purple
- vi = purple
- ge = yellow
- or = orange
- rs = pink

Fresh air blower control unit, Climatronic control unit, Fresh air blower, Centre flap control motor

- E87 Operating and display unit for front air conditioning system
- G56 Dash panel temperature sensor
- G112 Potentiometer for centre flap control motor
- G267 Potentiometer for temperature selection rotary knob
- J126 Fresh air blower control unit
- J255 Climatronic control unit
- J519 Onboard supply control unit
- L76 Button illumination bulb
- T6t 6-pin connector
- T6u 6-pin connector
- T16d 16-pin connector
- T20a 20-pin connector
- V2 Fresh air blower
- V42 Temperature sensor blower
- V70 Centre flap control motor

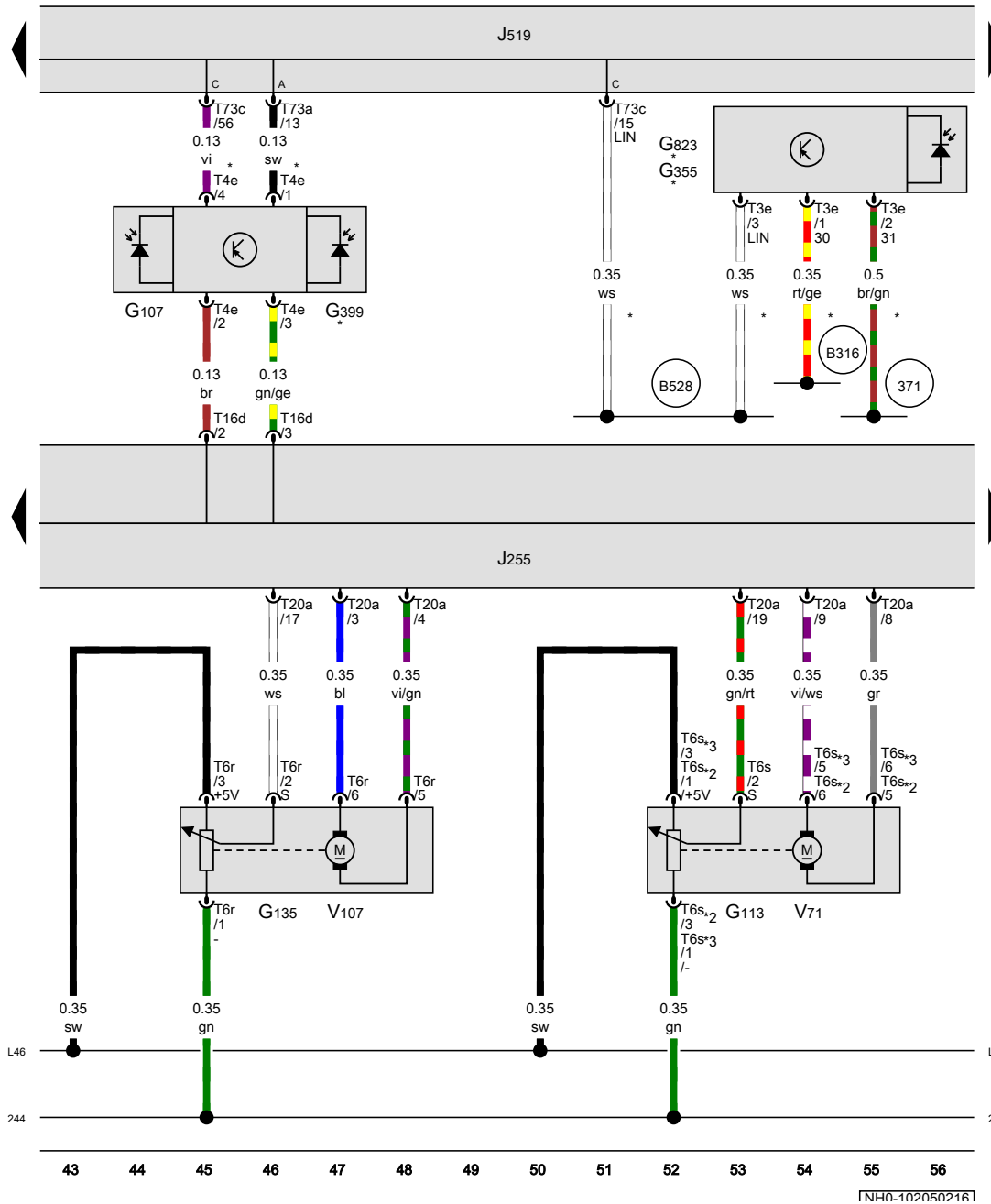
- 244 Earth connection (sender earth), in Climatronic wiring harness
- 638 Earth point, on right A-pillar
- 639 Earth point, left A-pillar
- L46 Connection (5 Volt), in Climatronic operating unit wiring harness
- * Only left-hand drive models
- *2 Only right-hand drive models



- ws = white
- sw = black
- ro = red
- rt = red
- br = brown
- gn = green
- bl = blue
- gr = grey
- li = purple
- vi = purple
- ge = yellow
- or = orange
- rs = pink

[NHN-102040216]

Sunlight penetration photosensor, Humidity sender, Light sensor, Air humidity, rain and light sensor, Climatronic control unit, Air flow flap control motor, Defroster flap control motor



- G107 Sunlight penetration photosensor
- G113 Potentiometer for air flow flap control motor
- G135 Potentiometer for defroster flap control motor
- G355 Humidity sender
- G399 Light sensor
- G823 Air humidity, rain and light sensor
- J255 Climatronic control unit
- J519 Onboard supply control unit
- T3e 3-pin connector
- T4e 4-pin connector
- T6r 6-pin connector
- T6s 6-pin connector
- T16d 16-pin connector
- T20a 20-pin connector
- T73a 73-pin connector, black
- T73c 73-pin connector, black
- V71 Air flow flap control motor
- V107 Defroster flap control motor

- (244) Earth connection (sender earth), in Climatronic wiring harness
- (371) Earth connection 6, in main wiring harness
- (B316) Positive connection 2 (30a) in main wiring harness
- (B528) Connection 1 (LIN bus) in main wiring harness
- (L46) Connection (5 Volt), in Climatronic operating unit wiring harness
- * According to equipment
- *2 Only left-hand drive models
- *3 Only right-hand drive models

- ws = white
- sw = black
- ro = red
- rt = red
- br = brown
- gn = green
- bl = blue
- gr = grey
- li = purple
- vi = purple
- ge = yellow
- or = orange
- rs = pink

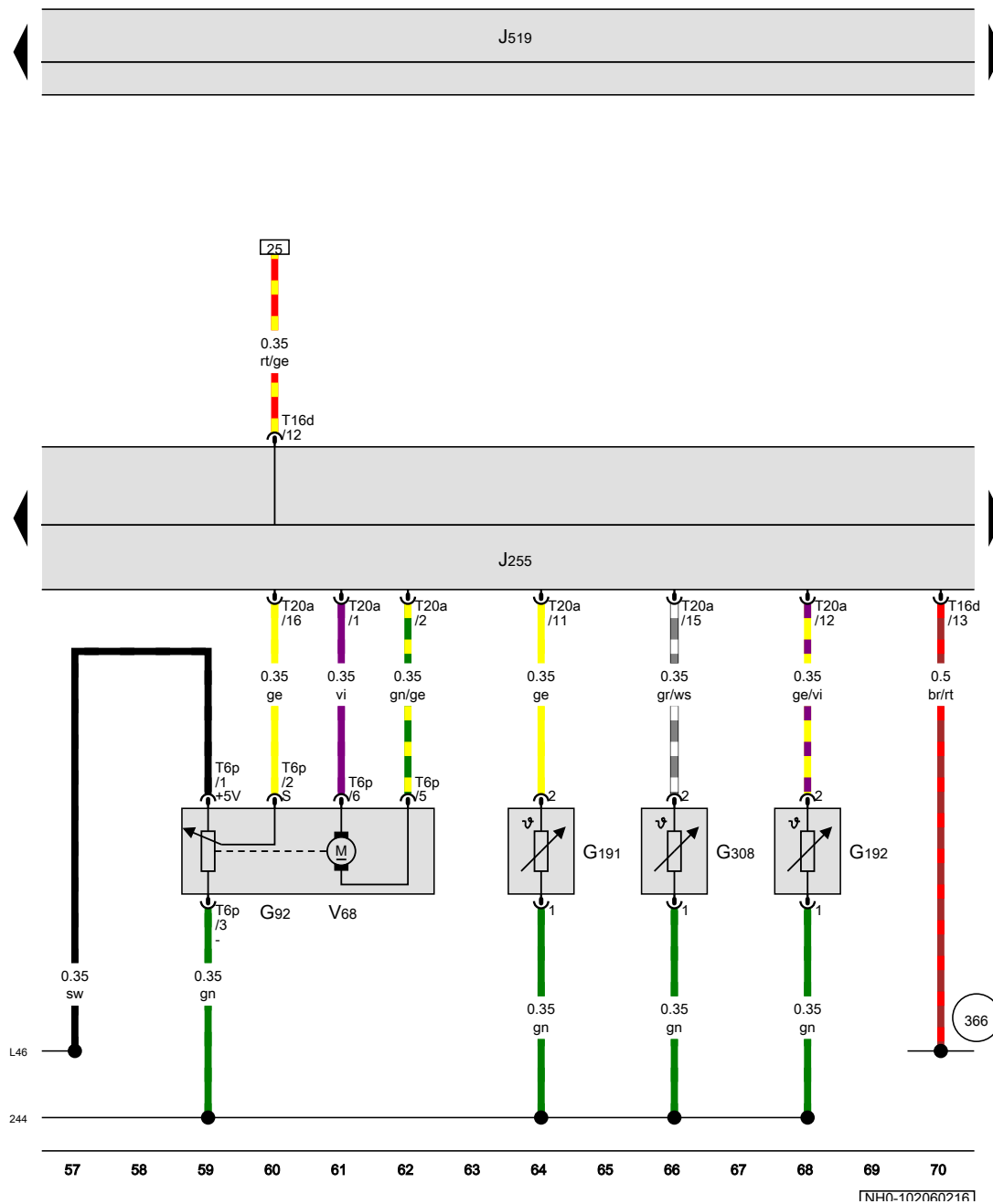
Centre vent temperature sender, Footwell vent temperature sender, Evaporator temperature sensor, Climatronic control unit, Temperature flap control motor

- G92 Potentiometer for temperature flap control motor
- G191 Centre vent temperature sender
- G192 Footwell vent temperature sender
- G308 Evaporator temperature sensor
- J255 Climatronic control unit
- J519 Onboard supply control unit
- T6p 6-pin connector
- T16d 16-pin connector
- T20a 20-pin connector
- V68 Temperature flap control motor

244 Earth connection (sender earth), in Climatronic wiring harness

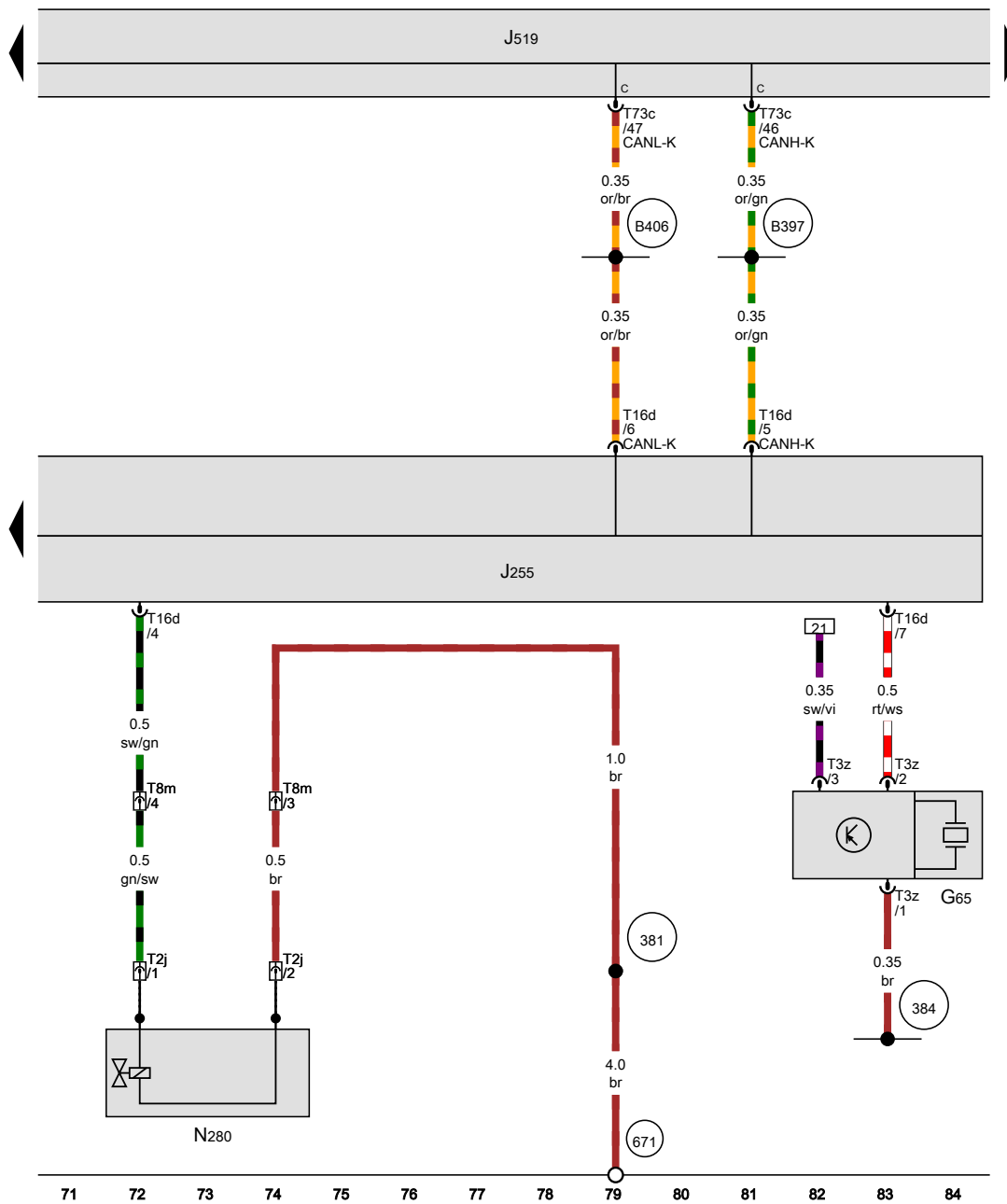
366 Earth connection 1, in main wiring harness

L46 Connection (5 Volt), in Climatronic operating unit wiring harness



- ws = white
- sw = black
- ro = red
- rt = red
- br = brown
- gn = green
- bl = blue
- gr = grey
- li = purple
- vi = purple
- ge = yellow
- or = orange
- rs = pink

[NH0-102060216]



High-pressure sender, Climatronic control unit, Air conditioner compressor regulating valve

- G65 High-pressure sender
- J255 Climatronic control unit
- J519 Onboard supply control unit
- N280 Air conditioner compressor regulating valve
- T2j 2-pin connector
- T3z 3-pin connector
- T8m 8-pin connector, front left in engine compartment
- T16d 16-pin connector
- T73c 73-pin connector, black

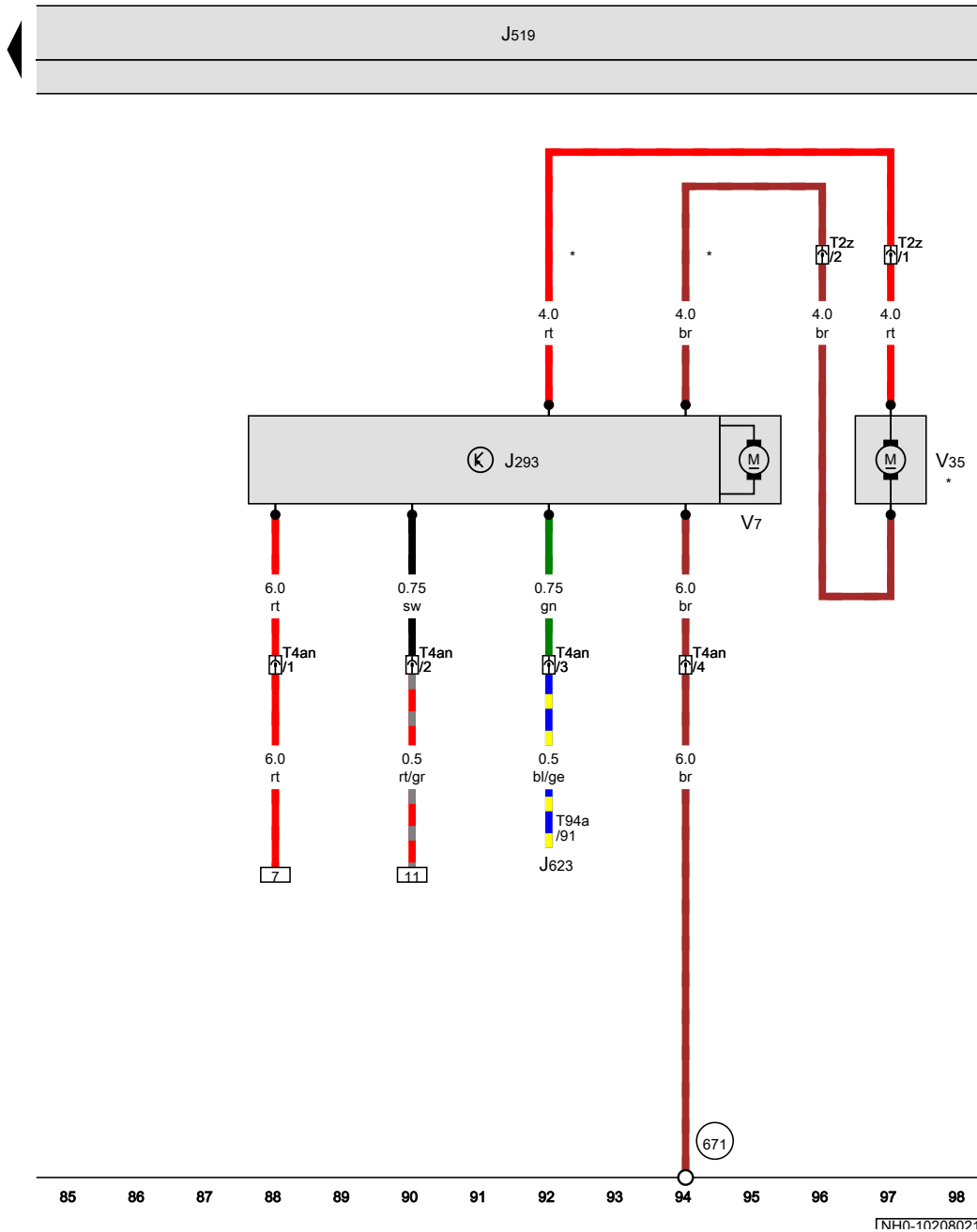
- 381 Earth connection 16, in main wiring harness
- 384 Earth connection 19, in main wiring harness
- 671 Earth point 1, on front of left longitudinal member
- B397 Connection 1 (convenience CAN bus, high), in main wiring harness
- B406 Connection 1 (convenience CAN bus, low), in main wiring harness

- ws = white
- sw = black
- ro = red
- rt = red
- br = brown
- gn = green
- bl = blue
- gr = grey
- li = purple
- vi = purple
- ge = yellow
- or = orange
- rs = pink

[NHN-102070216]

Radiator fan control unit, Radiator fan, Right radiator fan

- J293 Radiator fan control unit
- J519 Onboard supply control unit
- J623 Engine control unit
- T2z 2-pin connector, on radiator fan
- T4an 4-pin connector
- T94a 94-pin connector
- V7 Radiator fan
- V35 Right radiator fan
- 671 Earth point 1, on front of left longitudinal member
- * Only models with two radiator fans



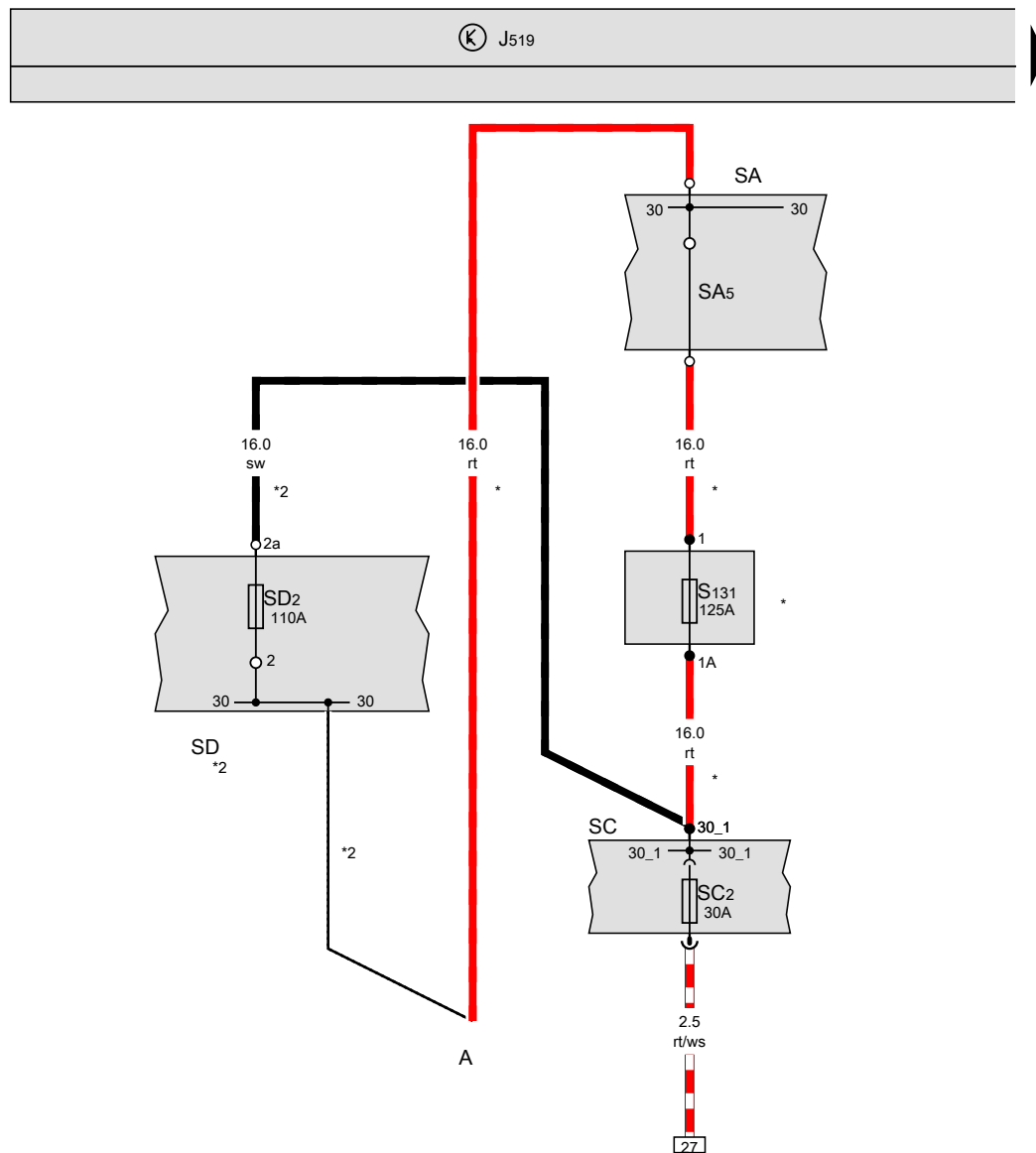
1NH0-102080216

Central locking , (L0L)

From November 2015

Battery, Fuse holder A, Fuse holder C, Fuse holder D

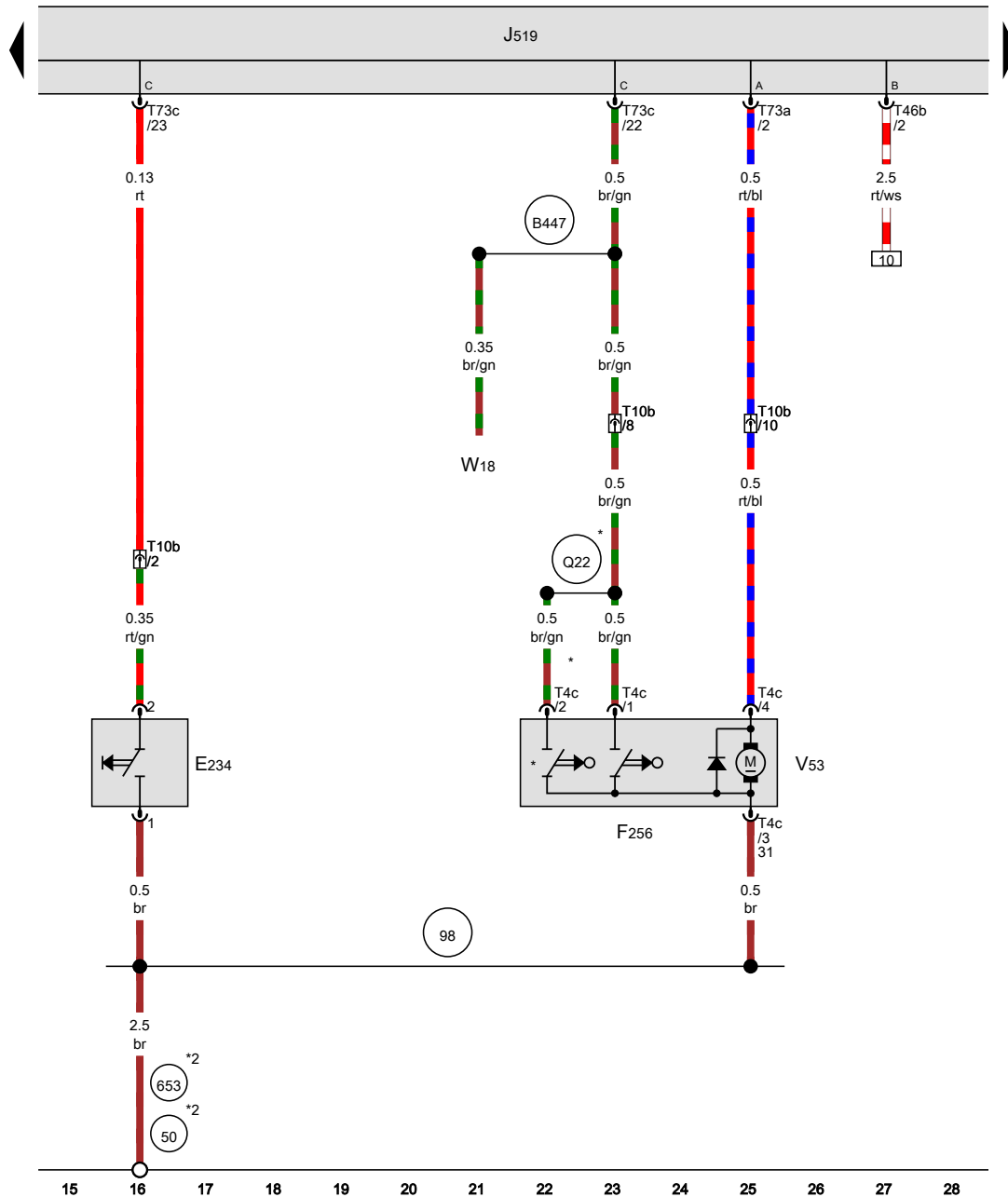
- A Battery
- J519 Onboard supply control unit
- SA Fuse holder A
- SC Fuse holder C
- SD2 Fuse 2 on fuse holder D
- SC2 Fuse 2 on fuse holder C
- SA5 Fuse 5 in fuse holder A
- S131 Fuse 1, in main wiring harness
- SD Fuse holder D
- * Only models with battery in engine compartment
- *2 Only models with battery in luggage compartment



- ws = white
- sw = black
- ro = red
- rt = red
- br = brown
- gn = green
- bl = blue
- gr = grey
- li = purple
- vi = purple
- ge = yellow
- or = orange
- rs = pink

1 2 3 4 5 6 7 8 9 10 11 12 13 14

[NH0-103020516]



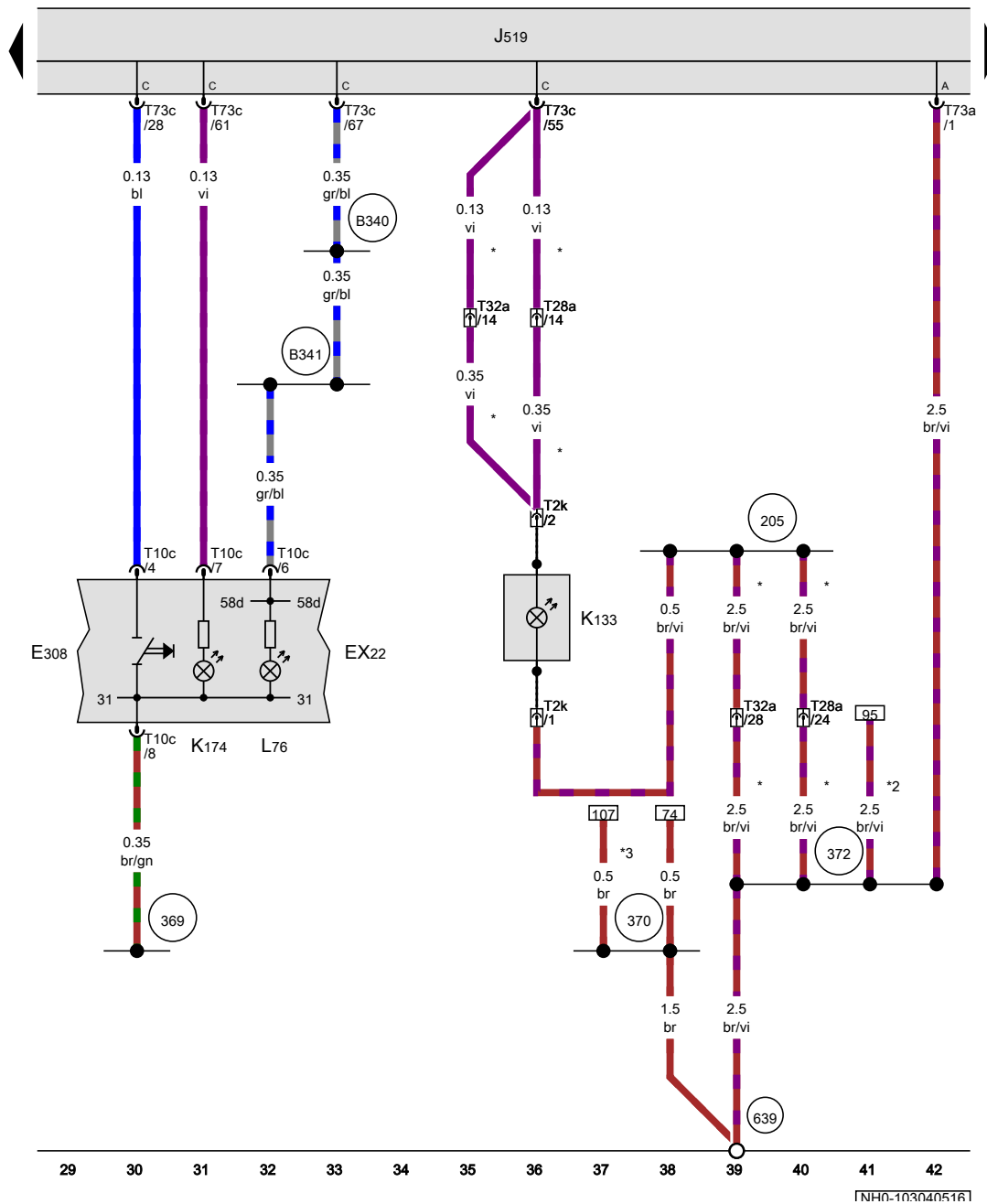
Rear lid handle release button, Rear lid lock unit, Rear lid central locking motor

- E234 Rear lid handle release button
- F256 Rear lid lock unit
- J519 Onboard supply control unit
- T4c 4-pin connector
- T10b 10-pin connector
- T46b 46-pin connector, brown
- T73a 73-pin connector, black
- T73c 73-pin connector, black
- V53 Rear lid central locking motor
- W18 Luggage compartment light on left

- 50 Earth point, on left in luggage compartment
- 98 Earth connection, in rear lid wiring harness
- 653 Earth point, on left D-pillar
- B447 Connection (luggage compartment light), in main wiring harness
- Q22 Connection 1, in rear lid wiring harness

* According to equipment
 *2 see fitting locations

- ws = white
- sw = black
- ro = red
- rt = red
- br = brown
- gn = green
- bl = blue
- gr = grey
- li = purple
- vi = purple
- ge = yellow
- or = orange
- rs = pink



Centre switch module in dash panel, Driver side interior locking button for central locking system, Central locking SAFELOCK function warning lamp

- EX22 Centre switch module in dash panel
- E308 Driver side interior locking button for central locking system
- J519 Onboard supply control unit
- K133 Central locking SAFELOCK function warning lamp
- K174 Driver side interior locking warning lamp
- L76 Button illumination bulb
- T2k 2-pin connector, in driver door
- T10c 10-pin connector, black
- T28a 28-pin connector, on left A-pillar
- T32a 32-pin connector, on left A-pillar
- T73a 73-pin connector, black
- T73c 73-pin connector, black

- 205 Earth connection, in driver door wiring harness
- 369 Earth connection 4, in main wiring harness
- 370 Earth connection 5, in main wiring harness
- 372 Earth connection 7, in main wiring harness
- 639 Earth point, left A-pillar
- B340 Connection 1 (58d), in main wiring harness
- B341 Connection 2 (58d), in main wiring harness

- * According to equipment
- *2 Only models with front and rear window regulators
- *3 Only models with front window regulators

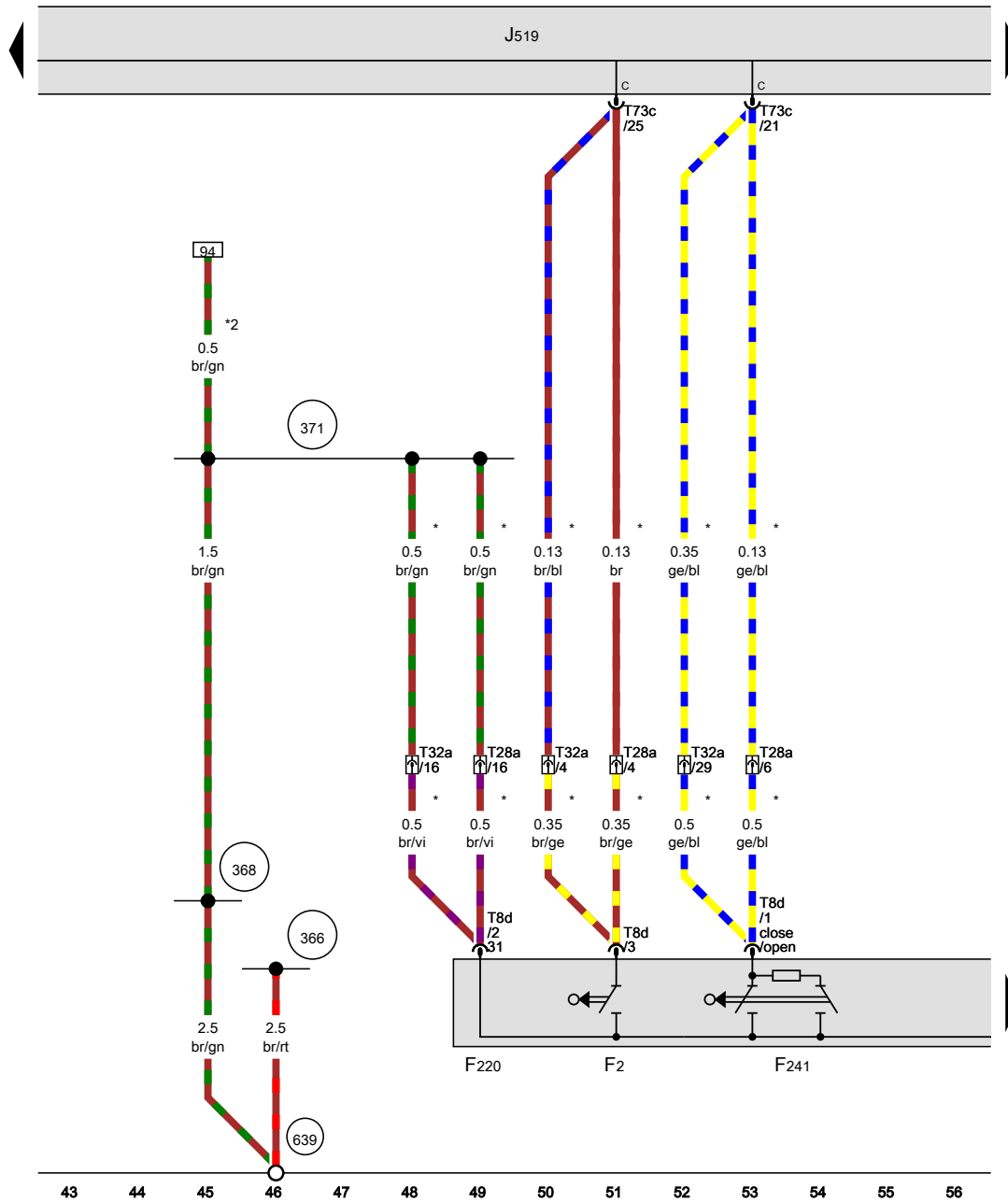
- ws = white
- sw = black
- ro = red
- rt = red
- br = brown
- gn = green
- bl = blue
- gr = grey
- li = purple
- vi = purple
- ge = yellow
- or = orange
- rs = pink

Driver side central locking lock unit

- F2 Driver door contact switch
- F220 Driver side central locking lock unit
- F241 Driver side contact switch in lock cylinder
- J519 Onboard supply control unit
- T8d 8-pin connector
- T28a 28-pin connector, on left A-pillar
- T32a 32-pin connector, on left A-pillar
- T73c 73-pin connector, black

- 366 Earth connection 1, in main wiring harness
- 368 Earth connection 3, in main wiring harness
- 371 Earth connection 6, in main wiring harness
- 639 Earth point, left A-pillar

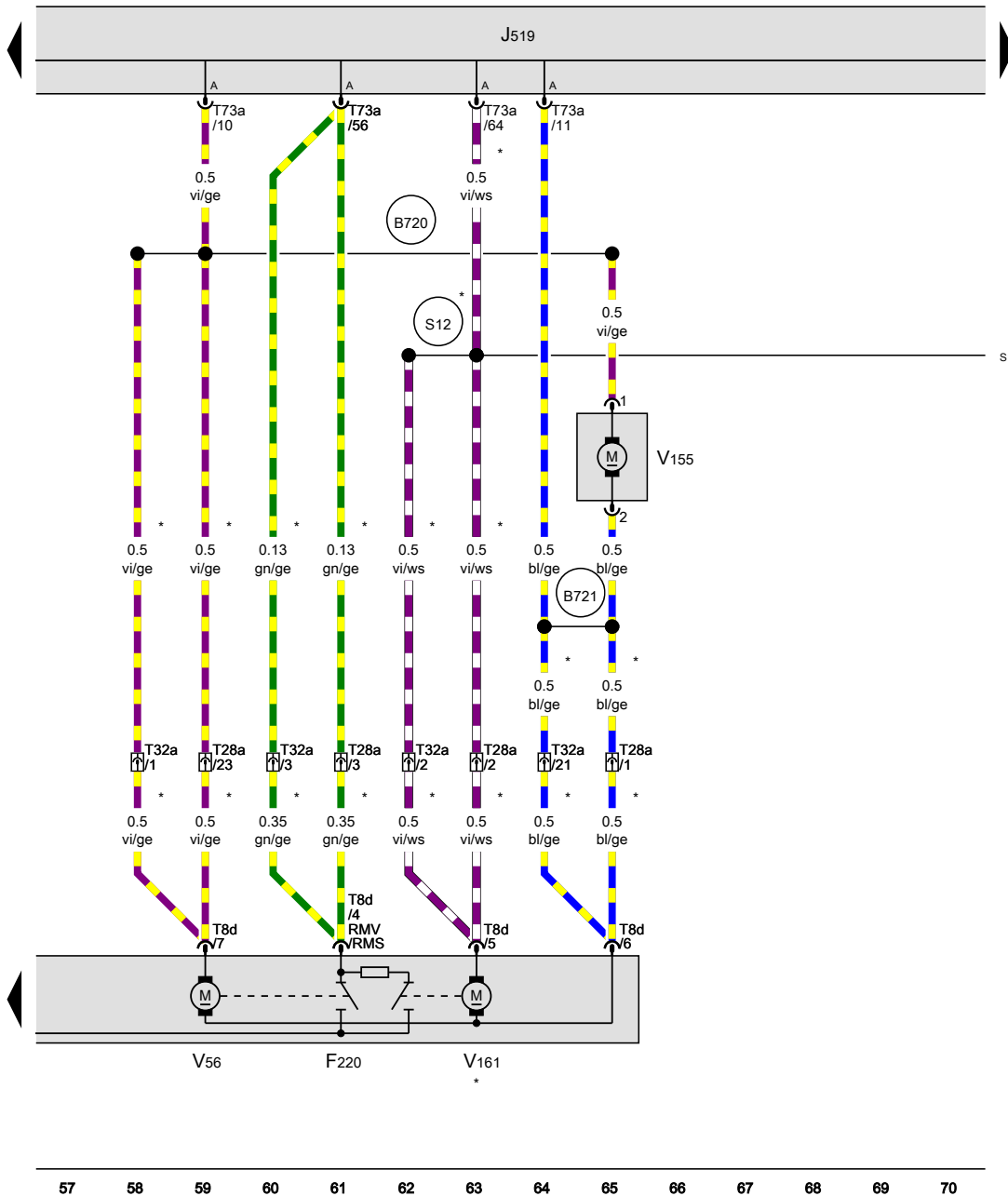
* According to equipment
 *2 Only models with front window regulators



- ws = white
- sw = black
- ro = red
- rt = red
- br = brown
- gn = green
- bl = blue
- gr = grey
- li = purple
- vi = purple
- ge = yellow
- or = orange
- rs = pink

[NH0-103050516]

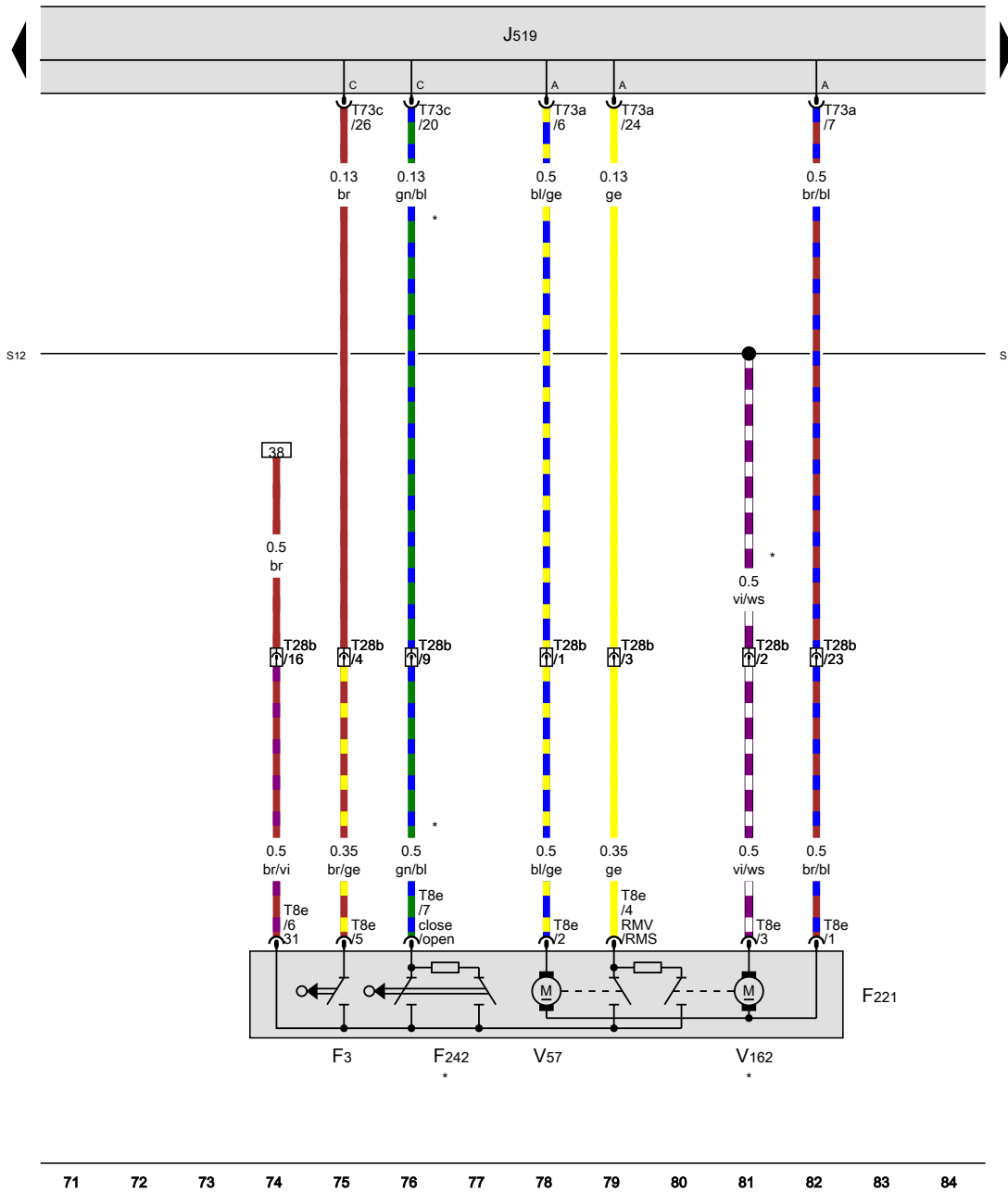
Driver side central locking lock unit, Tank filler flap locking motor



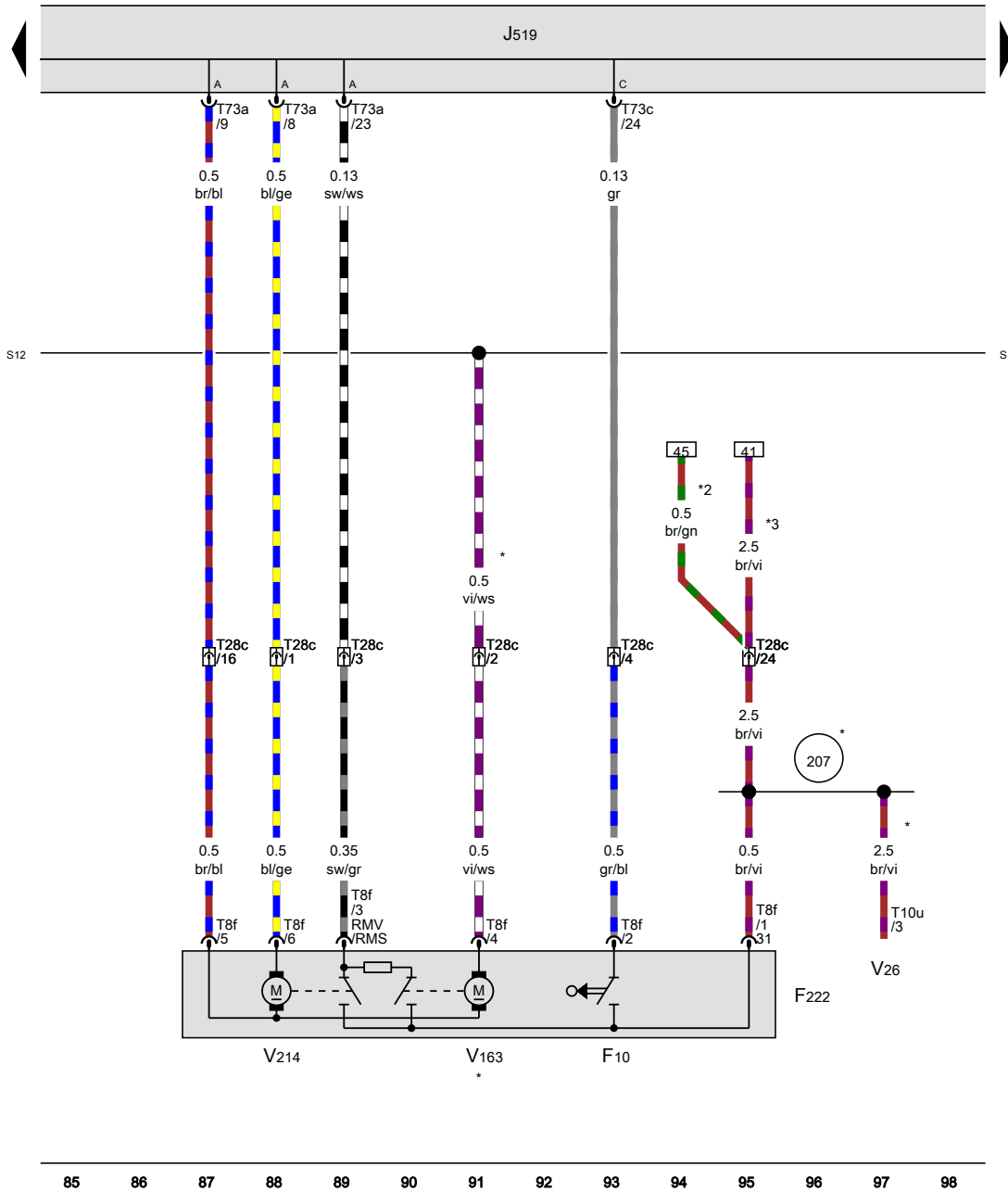
- F220 Driver side central locking lock unit
- J519 Onboard supply control unit
- T8d 8-pin connector
- T28a 28-pin connector, on left A-pillar
- T32a 32-pin connector, on left A-pillar
- T73a 73-pin connector, black
- V56 Driver door central locking motor
- V155 Tank filler flap locking motor
- V161 Driver door central locking SAFELock function motor
- B720 Connection 1 (central locking), in main wiring harness
- B721 Connection 2 (central locking), in main wiring harness
- S12 Connection (SAFE 1), in central locking wiring harness
- * According to equipment

- ws = white
- sw = black
- ro = red
- rt = red
- br = brown
- gn = green
- bl = blue
- gr = grey
- li = purple
- vi = purple
- ge = yellow
- or = orange
- rs = pink

Front passenger side central locking lock unit



- F3 Front passenger door contact switch
- F221 Front passenger side central locking lock unit
- F242 Front passenger side contact switch in lock cylinder
- J519 Onboard supply control unit
- T8e 8-pin connector
- T28b 28-pin connector, on right A-pillar
- T73a 73-pin connector, black
- T73c 73-pin connector, black
- V57 Front passenger door central locking motor
- V162 Front passenger door central locking SAFELOCK function motor
- S12 Connection (SAFE 1), in central locking wiring harness
- * According to equipment



Rear left central locking lock unit

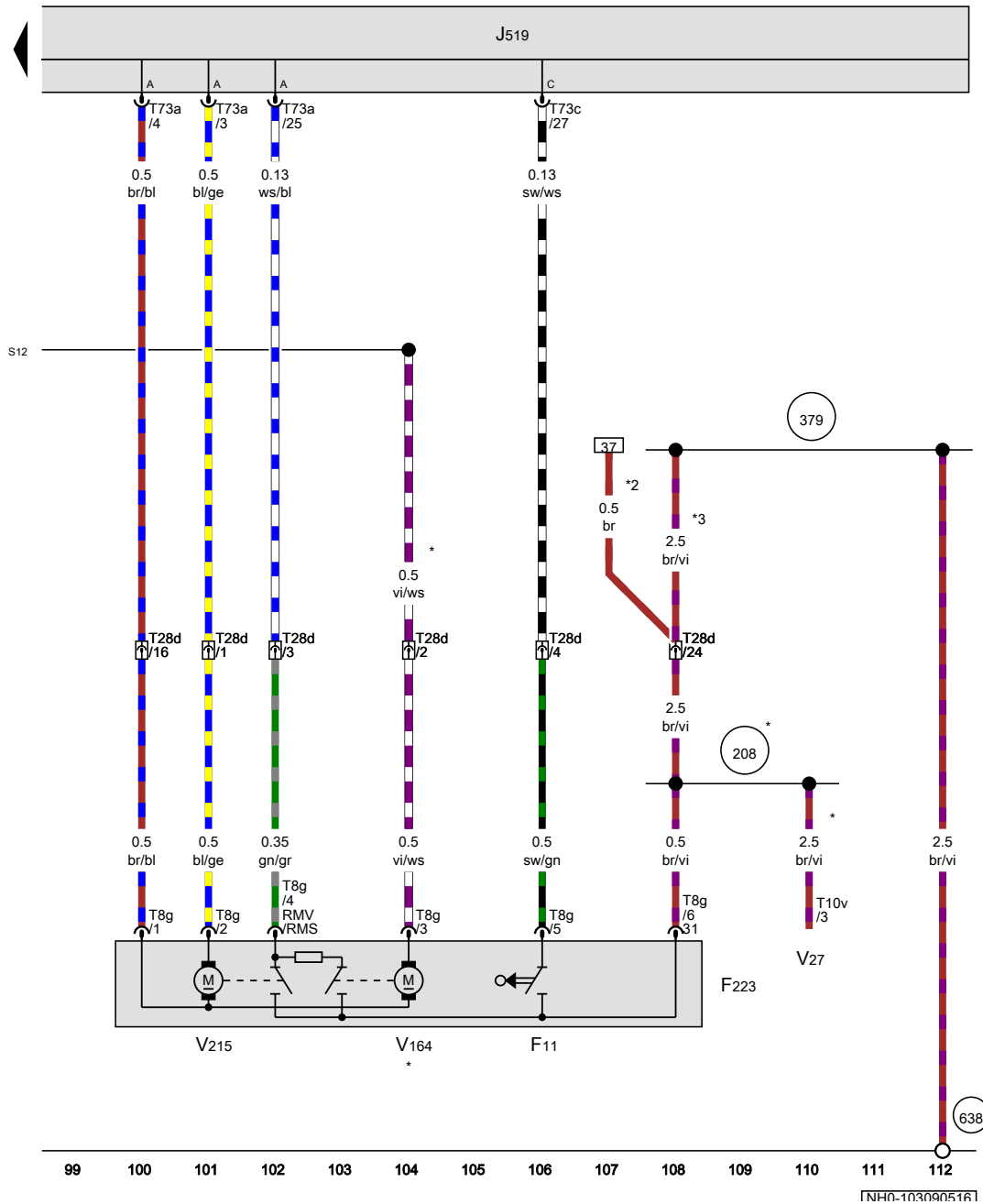
- F10 Rear left door contact switch
- F222 Rear left central locking lock unit
- J519 Onboard supply control unit
- T8f 8-pin connector
- T10u 10-pin connector
- T28c 28-pin connector, on left B-pillar
- T73a 73-pin connector, black
- T73c 73-pin connector, black
- V26 Rear left window regulator motor
- V163 Rear left door central locking SAFELOCK function motor
- V214 Rear left door central locking motor, lock

- 207 Earth connection, in rear left door wiring harness
- S12 Connection (SAFE 1), in central locking wiring harness

* According to equipment
 *2 Only models with front window regulators
 *3 Only models with front and rear window regulators

- ws = white
- sw = black
- ro = red
- rt = red
- br = brown
- gn = green
- bl = blue
- gr = grey
- li = purple
- vi = purple
- ge = yellow
- or = orange
- rs = pink

[NH0-103080516]



Rear right central locking lock unit

- F11 Rear right door contact switch
- F223 Rear right central locking lock unit
- J519 Onboard supply control unit
- T8g 8-pin connector
- T10v 10-pin connector
- T28d 28-pin connector, on right B-pillar
- T73a 73-pin connector, black
- T73c 73-pin connector, black
- V27 Rear right window regulator
- V164 Rear right door central SAFELOCK function locking motor
- V215 Rear right door central locking motor, lock

- (208) Earth connection, in rear right door wiring harness
- (379) Earth connection 14, in main wiring harness
- (638) Earth point, on right A-pillar
- (S12) Connection (SAFE 1), in central locking wiring harness

- * According to equipment
- *2 Only models with front window regulators
- *3 Only models with front and rear window regulators

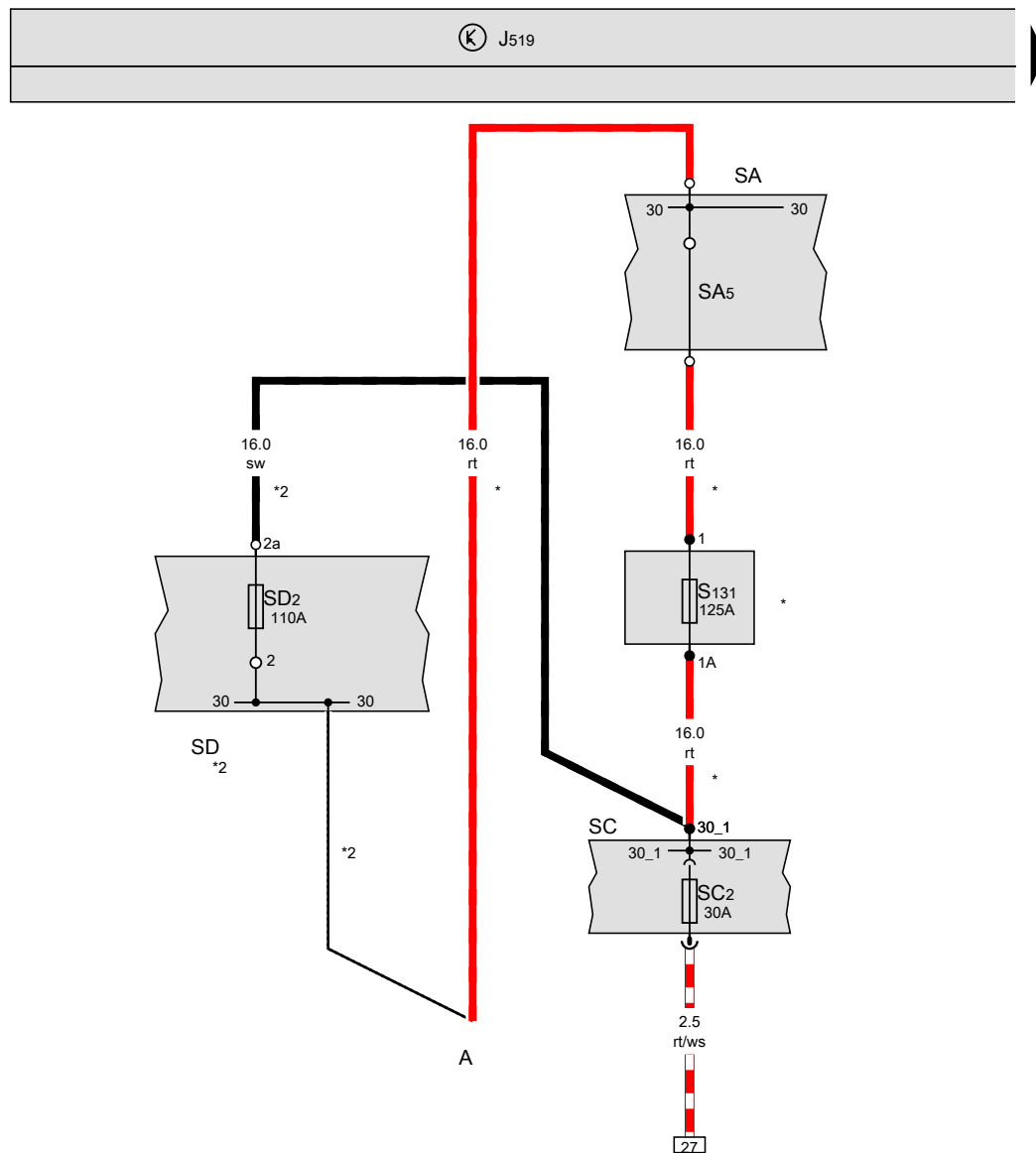
- ws = white
- sw = black
- ro = red
- rt = red
- br = brown
- gn = green
- bl = blue
- gr = grey
- li = purple
- vi = purple
- ge = yellow
- or = orange
- rs = pink

Central locking , (L0R)

From November 2015

Battery, Fuse holder A, Fuse holder C, Fuse holder D

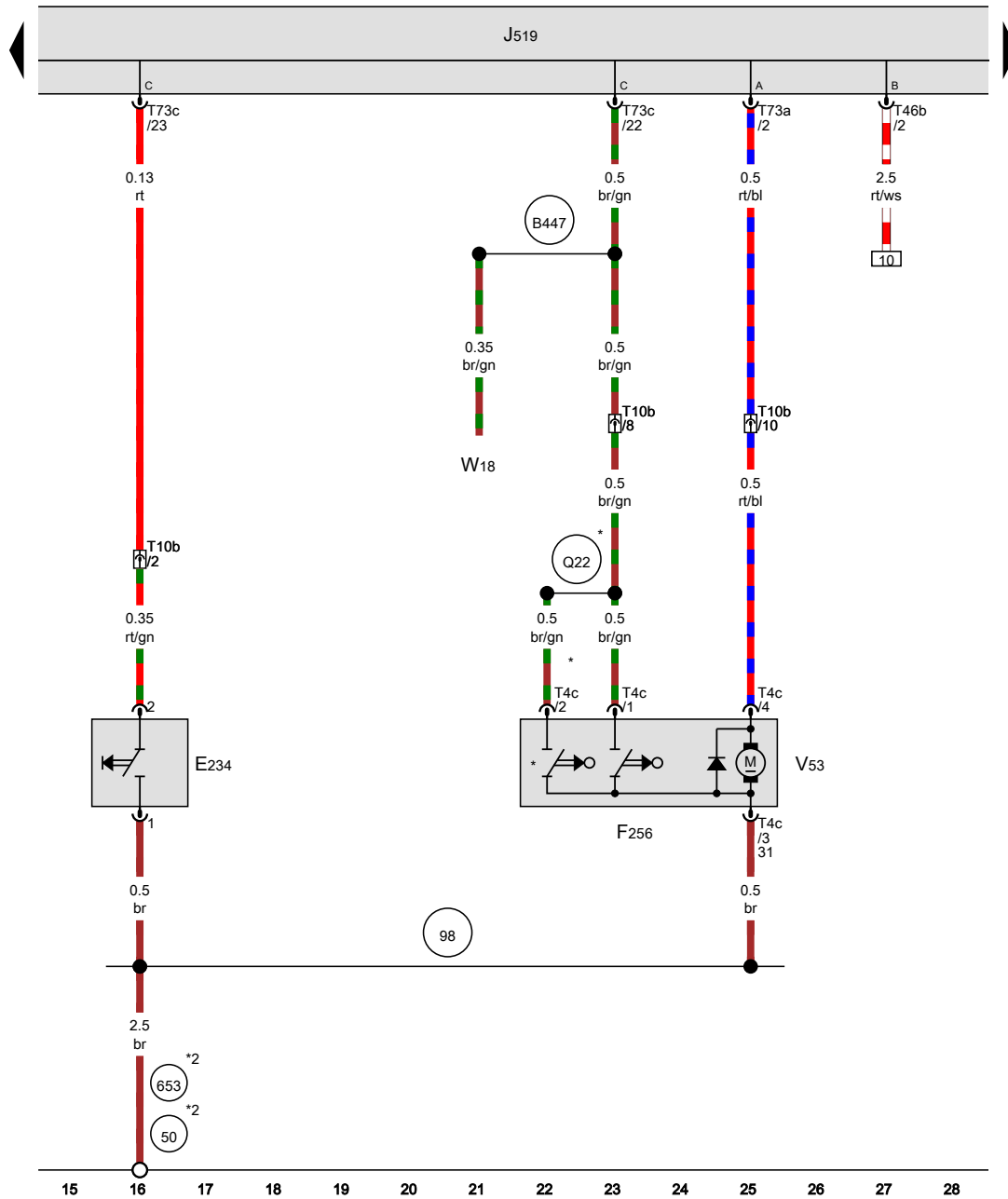
- A Battery
- J519 Onboard supply control unit
- SA Fuse holder A
- SC Fuse holder C
- SD2 Fuse 2 on fuse holder D
- SC2 Fuse 2 on fuse holder C
- SA5 Fuse 5 in fuse holder A
- S131 Fuse 1, in main wiring harness
- SD Fuse holder D
- * Only models with battery in engine compartment
- *2 Only models with battery in luggage compartment



- ws = white
- sw = black
- ro = red
- rt = red
- br = brown
- gn = green
- bl = blue
- gr = grey
- li = purple
- vi = purple
- ge = yellow
- or = orange
- rs = pink

1 2 3 4 5 6 7 8 9 10 11 12 13 14

[NH0-104020516]



Rear lid handle release button, Rear lid lock unit, Rear lid central locking motor

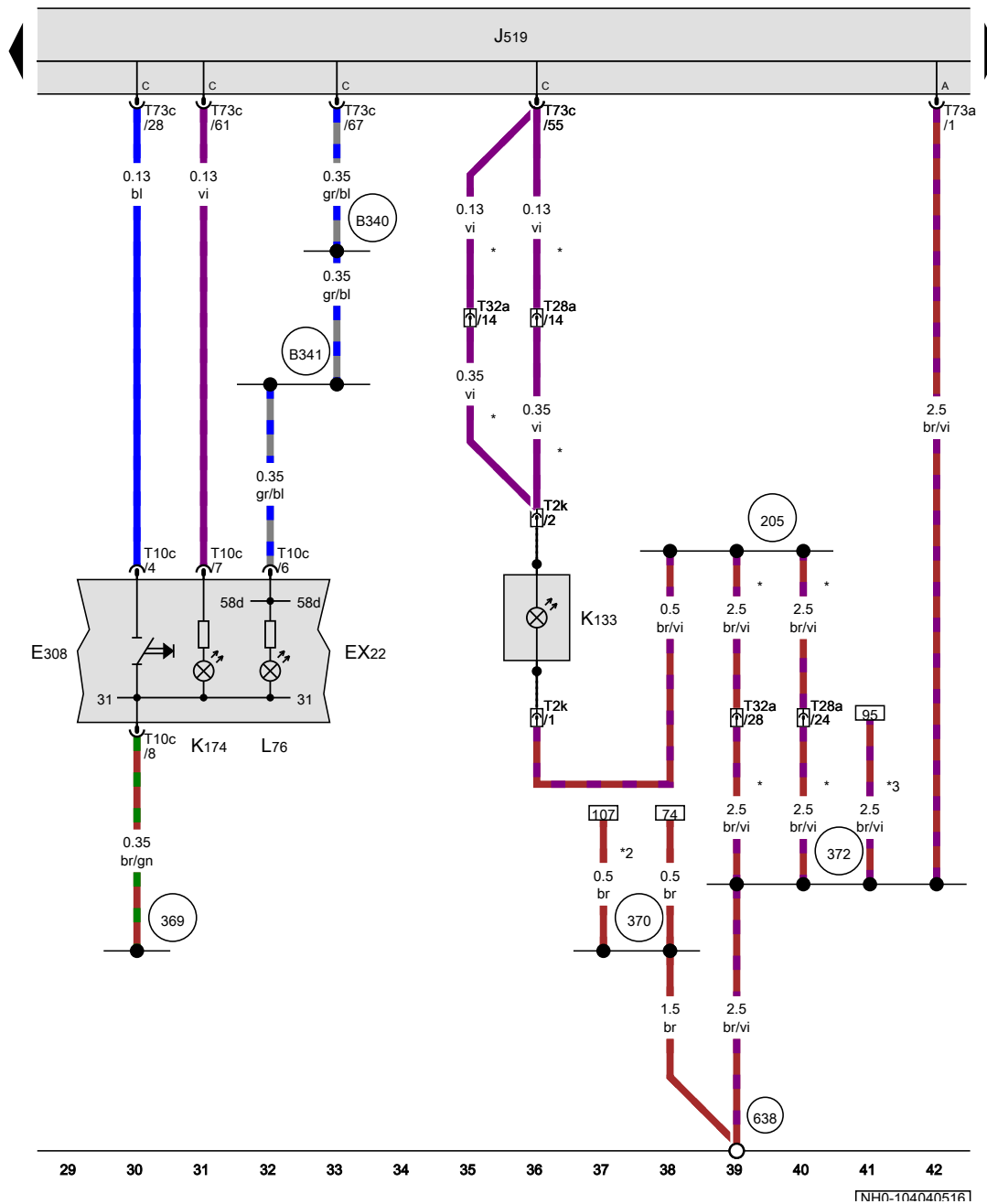
- E234 Rear lid handle release button
- F256 Rear lid lock unit
- J519 Onboard supply control unit
- T4c 4-pin connector
- T10b 10-pin connector
- T46b 46-pin connector, brown
- T73a 73-pin connector, black
- T73c 73-pin connector, black
- V53 Rear lid central locking motor
- W18 Luggage compartment light on left

- 50 Earth point, on left in luggage compartment
- 98 Earth connection, in rear lid wiring harness
- 653 Earth point, on left D-pillar
- B447 Connection (luggage compartment light), in main wiring harness
- Q22 Connection 1, in rear lid wiring harness

* According to equipment
*2 see fitting locations

- ws = white
- sw = black
- ro = red
- rt = red
- br = brown
- gn = green
- bl = blue
- gr = grey
- li = purple
- vi = purple
- ge = yellow
- or = orange
- rs = pink

[NH0-104030516]



Centre switch module in dash panel, Driver side interior locking button for central locking system, Central locking SAFELOCK function warning lamp

- EX22 Centre switch module in dash panel
- E308 Driver side interior locking button for central locking system
- J519 Onboard supply control unit
- K133 Central locking SAFELOCK function warning lamp
- K174 Driver side interior locking warning lamp
- L76 Button illumination bulb
- T2k 2-pin connector, in driver door
- T10c 10-pin connector, black
- T28a 28-pin connector, on right A-pillar
- T32a 32-pin connector, on right A-pillar
- T73a 73-pin connector, black
- T73c 73-pin connector, black

205 Earth connection, in driver door wiring harness

369 Earth connection 4, in main wiring harness

370 Earth connection 5, in main wiring harness

372 Earth connection 7, in main wiring harness

638 Earth point, on right A-pillar

B340 Connection 1 (58d), in main wiring harness

B341 Connection 2 (58d), in main wiring harness

* According to equipment

*2 Only models with front window regulators

*3 Only models with front and rear window regulators

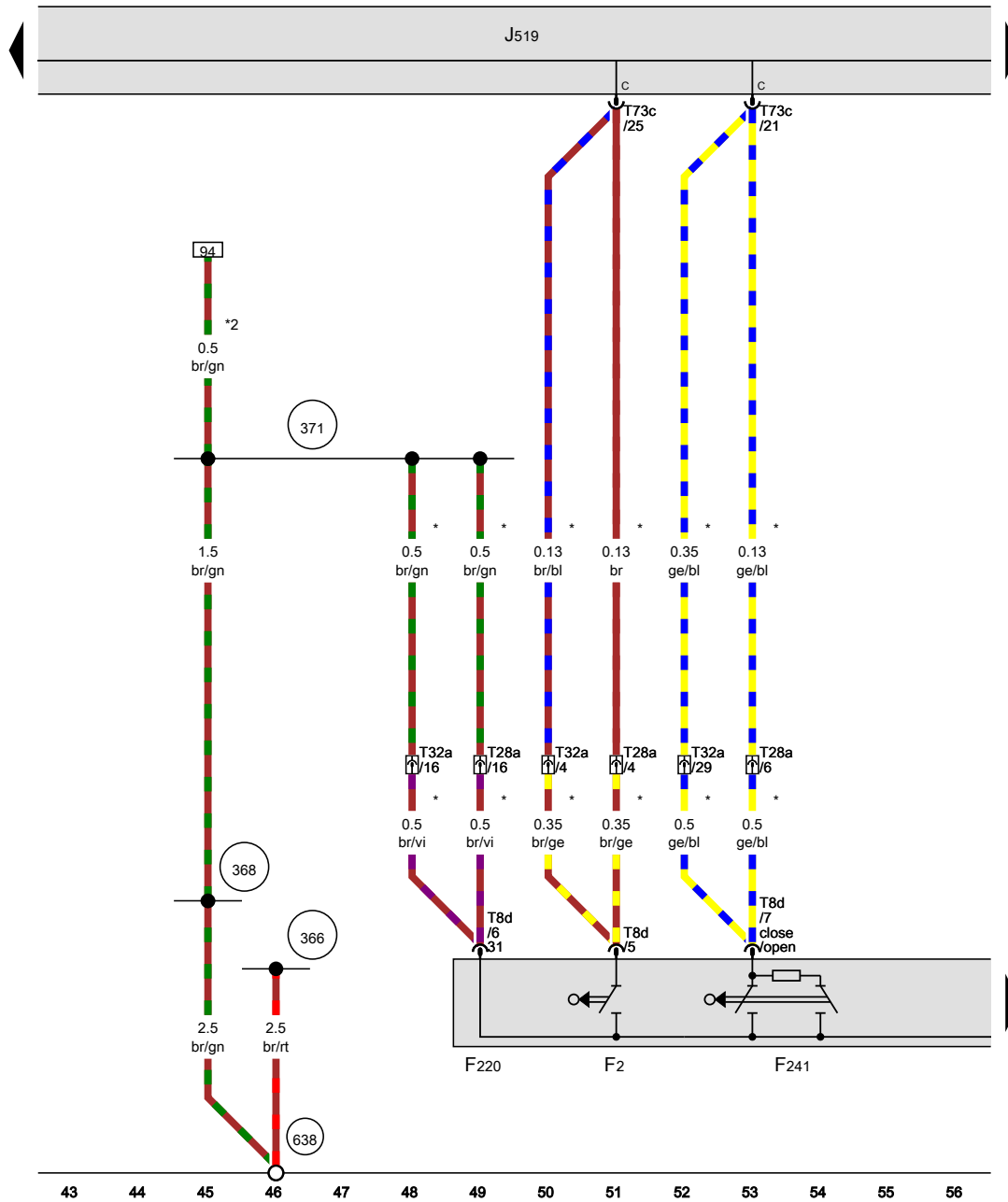
- ws = white
- sw = black
- ro = red
- rt = red
- br = brown
- gn = green
- bl = blue
- gr = grey
- li = purple
- vi = purple
- ge = yellow
- or = orange
- rs = pink

Driver side central locking lock unit

- F2 Driver door contact switch
- F220 Driver side central locking lock unit
- F241 Driver side contact switch in lock cylinder
- J519 Onboard supply control unit
- T8d 8-pin connector
- T28a 28-pin connector, on right A-pillar
- T32a 32-pin connector, on right A-pillar
- T73c 73-pin connector, black

- 366 Earth connection 1, in main wiring harness
- 368 Earth connection 3, in main wiring harness
- 371 Earth connection 6, in main wiring harness
- 638 Earth point, on right A-pillar

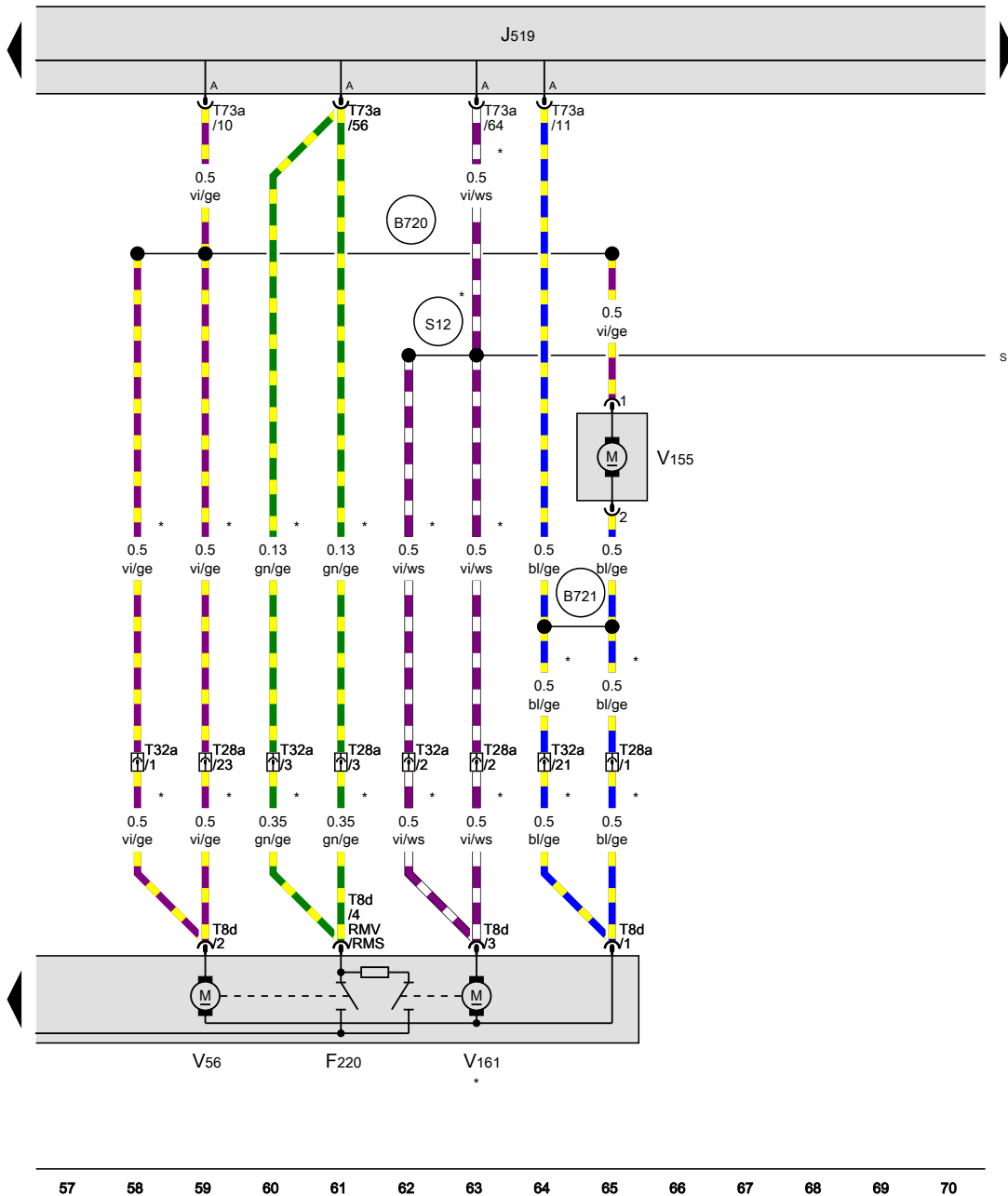
* According to equipment
 *2 Only models with front window regulators



- ws = white
- sw = black
- ro = red
- rt = red
- br = brown
- gn = green
- bl = blue
- gr = grey
- li = purple
- vi = purple
- ge = yellow
- or = orange
- rs = pink

[NH0-104050516]

Driver side central locking lock unit, Tank filler flap locking motor



- F220 Driver side central locking lock unit
- J519 Onboard supply control unit
- T8d 8-pin connector
- T28a 28-pin connector, on right A-pillar
- T32a 32-pin connector, on right A-pillar
- T73a 73-pin connector, black
- V56 Driver door central locking motor
- V155 Tank filler flap locking motor
- V161 Driver door central locking SAFELock function motor

B720 Connection 1 (central locking), in main wiring harness

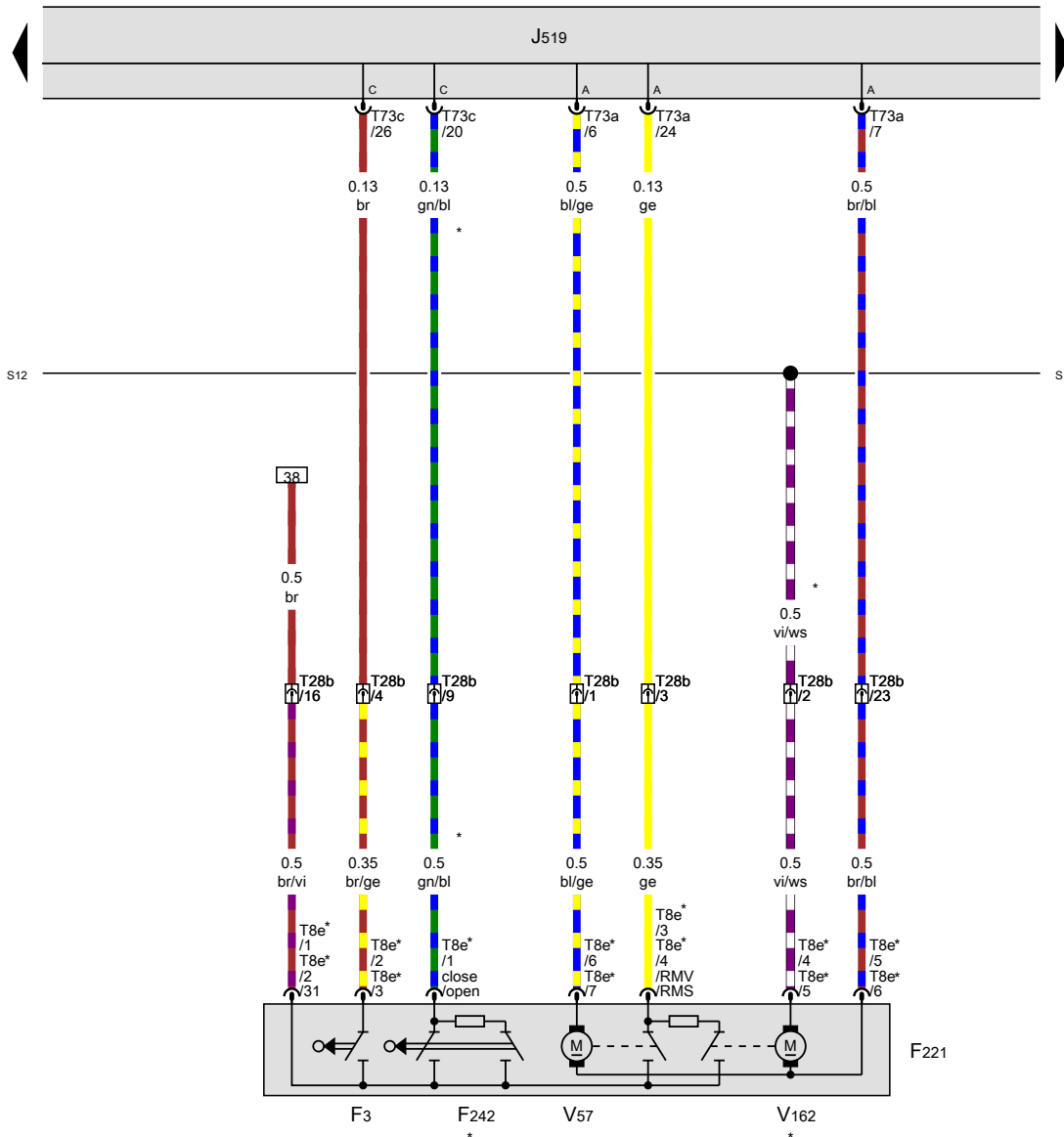
B721 Connection 2 (central locking), in main wiring harness

S12 Connection (SAFE 1), in central locking wiring harness

* According to equipment

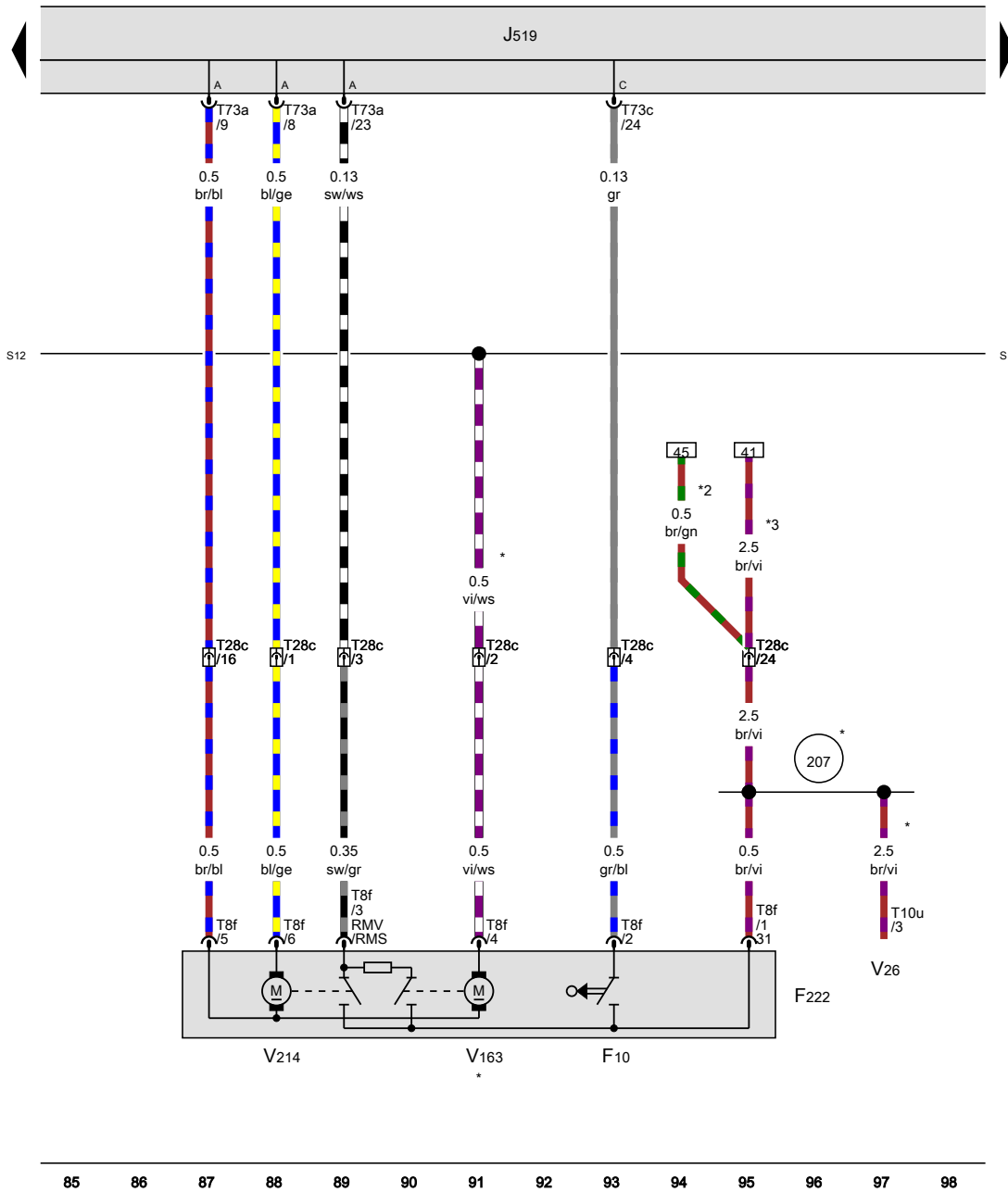
- ws = white
- sw = black
- ro = red
- rt = red
- br = brown
- gn = green
- bl = blue
- gr = grey
- li = purple
- vi = purple
- ge = yellow
- or = orange
- rs = pink

Front passenger side central locking lock unit



- F3 Front passenger door contact switch
- F221 Front passenger side central locking lock unit
- F242 Front passenger side contact switch in lock cylinder
- J519 Onboard supply control unit
- T8e 8-pin connector
- T28b 28-pin connector, on left A-pillar
- T73a 73-pin connector, black
- T73c 73-pin connector, black
- V57 Front passenger door central locking motor
- V162 Front passenger door central locking SAFELOCK function motor
- S12 Connection (SAFE 1), in central locking wiring harness
- * According to equipment

- ws = white
- sw = black
- ro = red
- rt = red
- br = brown
- gn = green
- bl = blue
- gr = grey
- li = purple
- vi = purple
- ge = yellow
- or = orange
- rs = pink



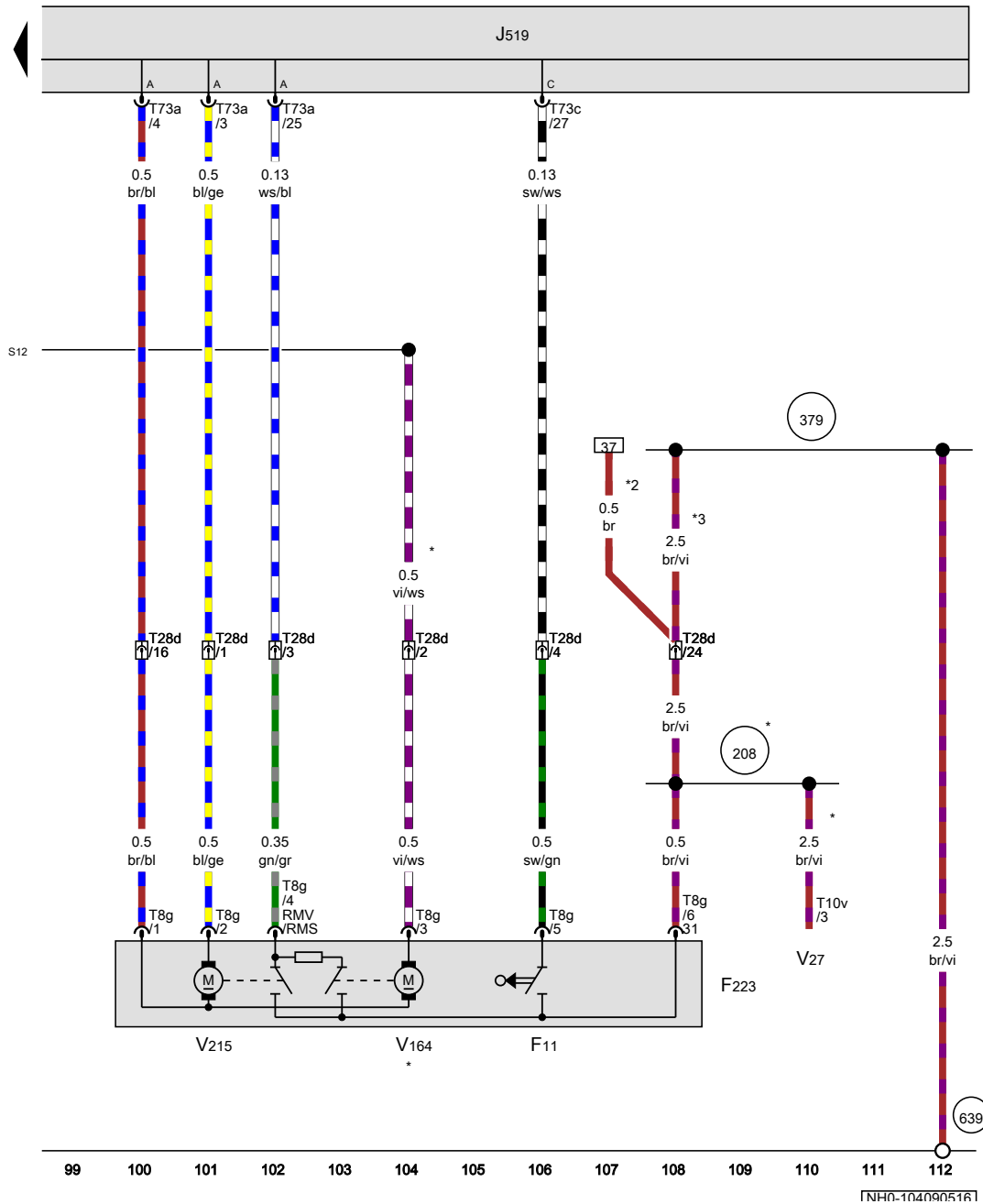
Rear left central locking lock unit

- F10 Rear left door contact switch
- F222 Rear left central locking lock unit
- J519 Onboard supply control unit
- T8f 8-pin connector
- T10u 10-pin connector
- T28c 28-pin connector, on left B-pillar
- T73a 73-pin connector, black
- T73c 73-pin connector, black
- V26 Rear left window regulator motor
- V163 Rear left door central locking SAFELOCK function motor
- V214 Rear left door central locking motor, lock

- 207 Earth connection, in rear left door wiring harness
- S12 Connection (SAFE 1), in central locking wiring harness

* According to equipment
 *2 Only models with front window regulators
 *3 Only models with front and rear window regulators

- ws = white
- sw = black
- ro = red
- rt = red
- br = brown
- gn = green
- bl = blue
- gr = grey
- li = purple
- vi = purple
- ge = yellow
- or = orange
- rs = pink



Rear right central locking lock unit

- F11 Rear right door contact switch
- F223 Rear right central locking lock unit
- J519 Onboard supply control unit
- T8g 8-pin connector
- T10v 10-pin connector
- T28d 28-pin connector, on right B-pillar
- T73a 73-pin connector, black
- T73c 73-pin connector, black
- V27 Rear right window regulator
- V164 Rear right door central SAFELOCK function locking motor
- V215 Rear right door central locking motor, lock

- (208) Earth connection, in rear right door wiring harness
- (379) Earth connection 14, in main wiring harness
- (639) Earth point, left A-pillar
- (S12) Connection (SAFE 1), in central locking wiring harness

- * According to equipment
- *2 Only models with front window regulators
- *3 Only models with front and rear window regulators

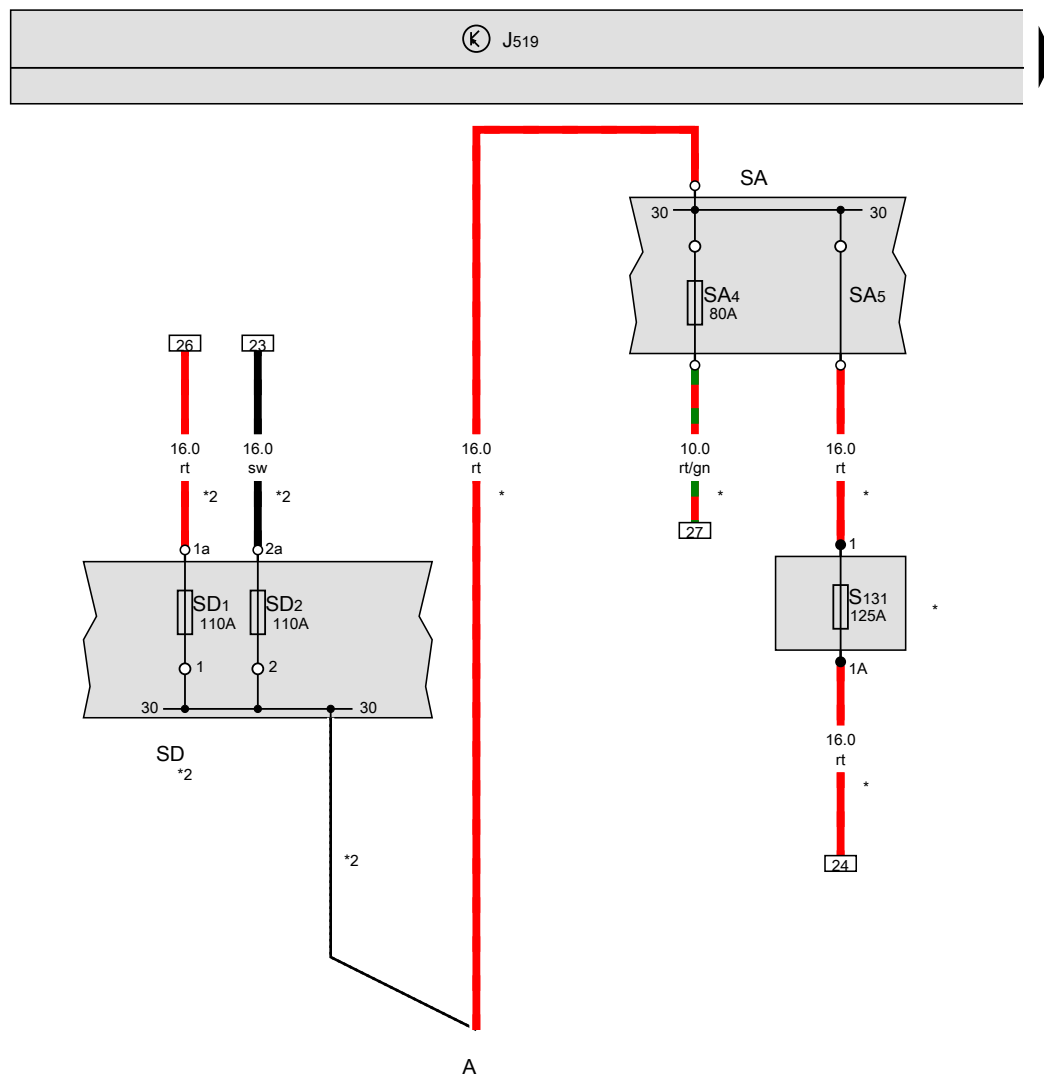
- ws = white
- sw = black
- ro = red
- rt = red
- br = brown
- gn = green
- bl = blue
- gr = grey
- li = purple
- vi = purple
- ge = yellow
- or = orange
- rs = pink

Convenience system with rear manually operated window regulators , (L0L)

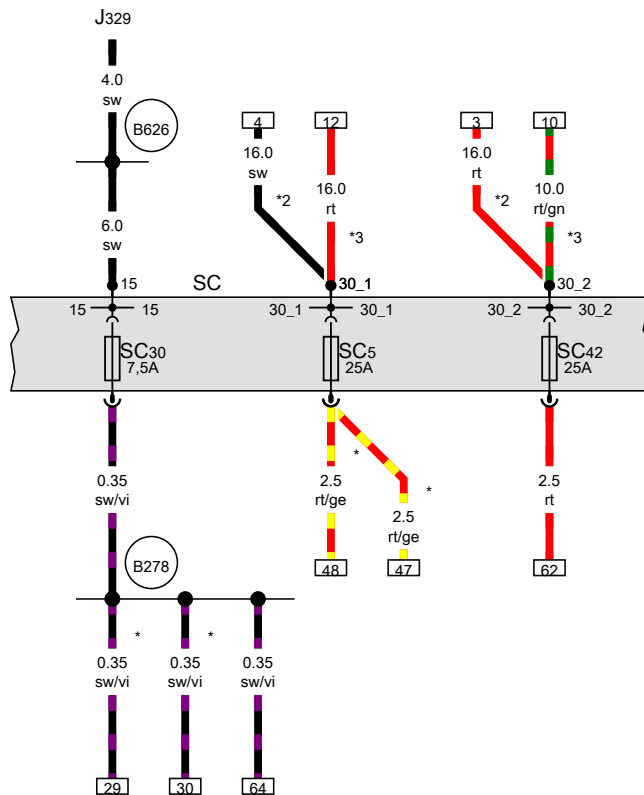
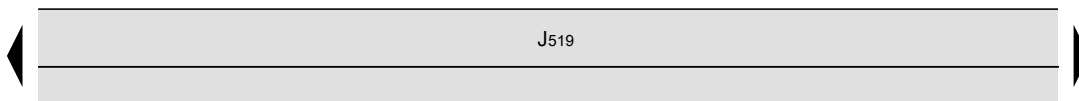
From November 2015

Battery, Fuse holder A, Fuse holder D

- A Battery
- J519 Onboard supply control unit
- SA Fuse holder A
- SD Fuse holder D
- SD1 Fuse 1 on fuse holder D
- SD2 Fuse 2 on fuse holder D
- SA4 Fuse 4 in fuse holder A
- SA5 Fuse 5 in fuse holder A
- S131 Fuse 1, in main wiring harness
- * Only models with battery in engine compartment
- *2 Only models with battery in luggage compartment



- ws = white
- sw = black
- ro = red
- rt = red
- br = brown
- gn = green
- bl = blue
- gr = grey
- li = purple
- vi = purple
- ge = yellow
- or = orange
- rs = pink



Fuse holder C

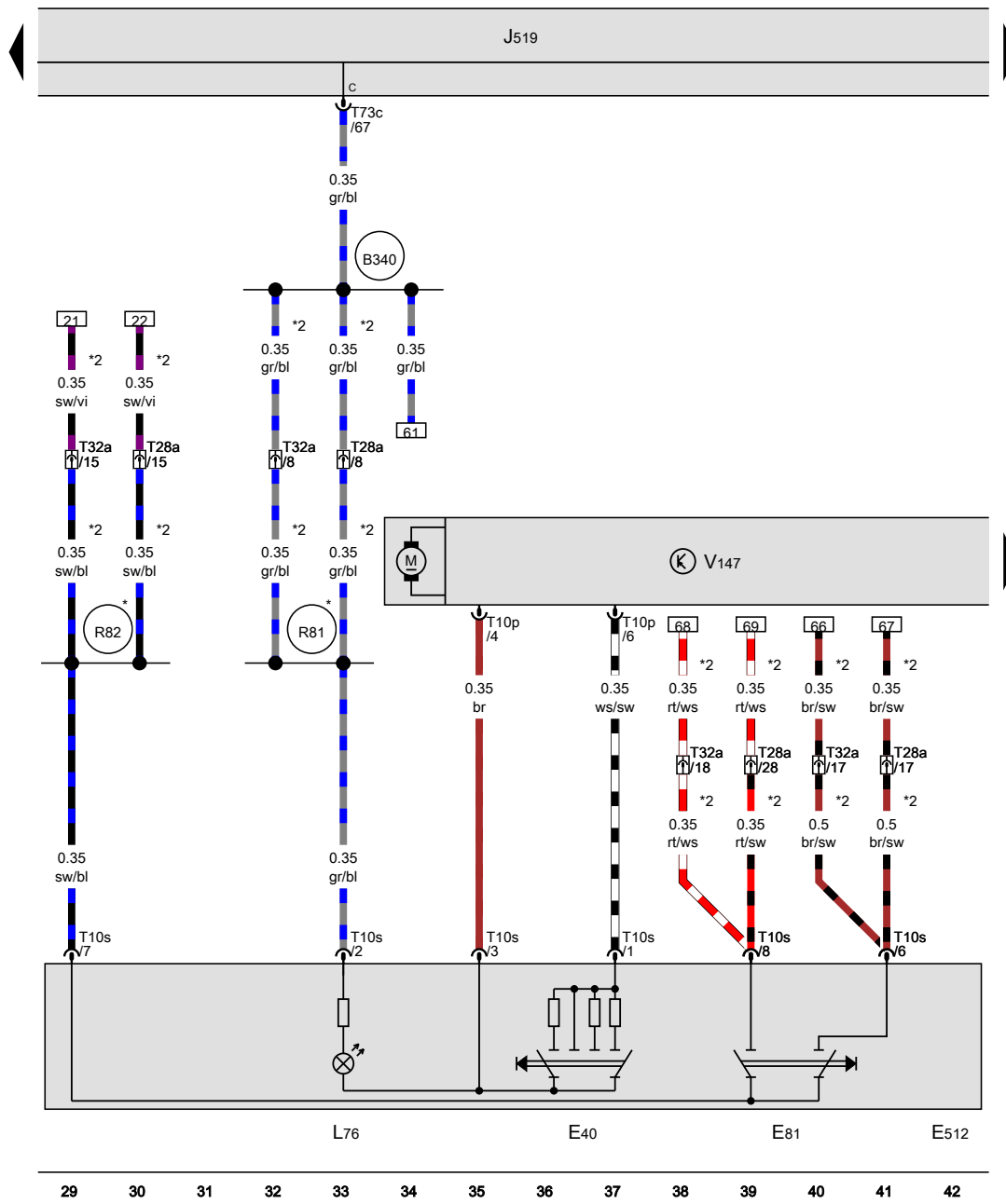
- J329 Terminal 15 voltage supply relay
- J519 Onboard supply control unit
- SC Fuse holder C
- SC5 Fuse 5 on fuse holder C
- SC30 Fuse 30 on fuse holder C
- SC42 Fuse 42 on fuse holder C

B278 Positive connection 2 (15a) in main wiring harness

B626 Positive connection 2 (15), in main wiring harness

- * According to equipment
- *2 Only models with battery in luggage compartment
- *3 Only models with battery in engine compartment

- ws = white
- sw = black
- ro = red
- rt = red
- br = brown
- gn = green
- bl = blue
- gr = grey
- li = purple
- vi = purple
- ge = yellow
- or = orange
- rs = pink

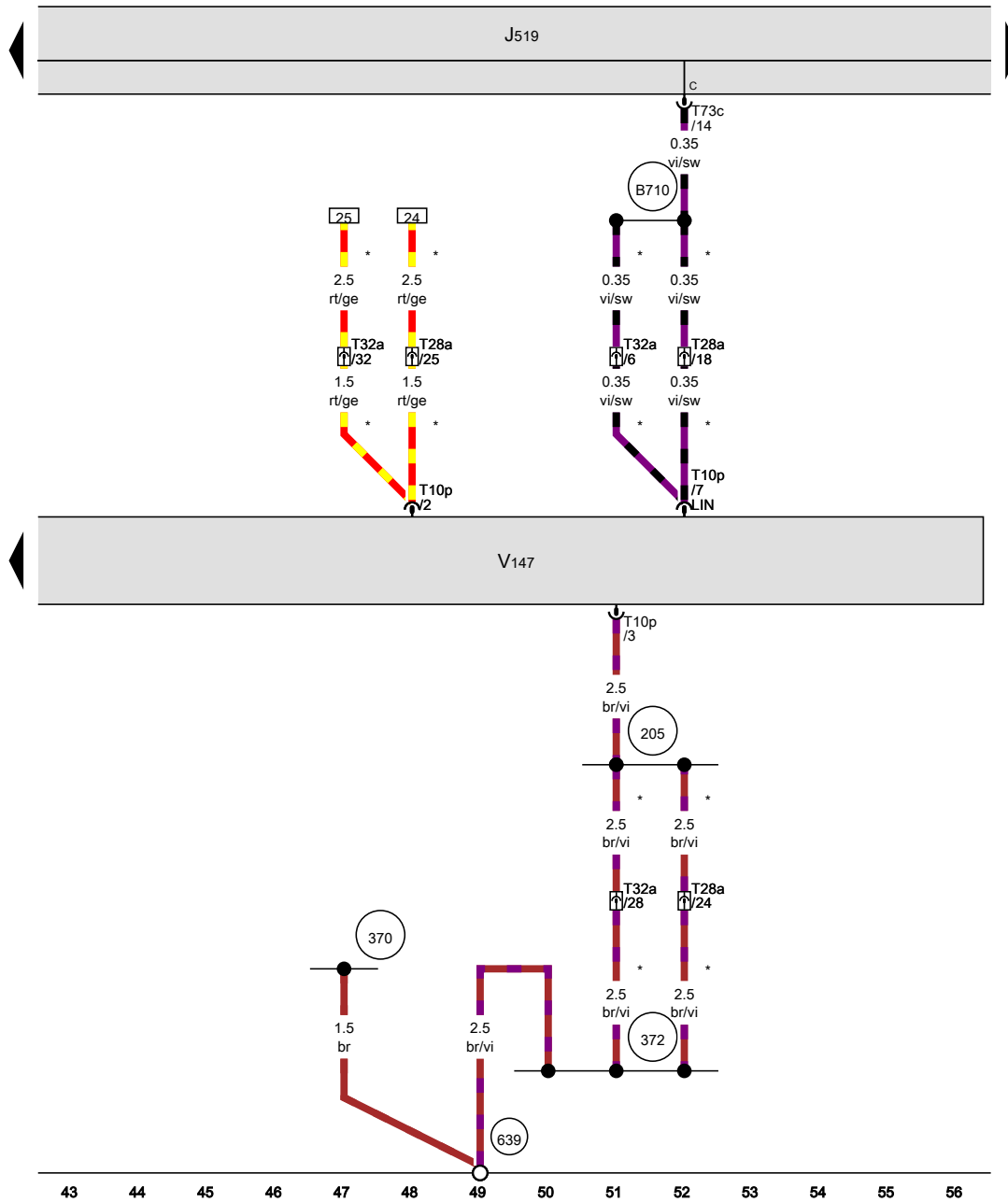


Operating unit for window regulator in driver door, Driver side window regulator motor

- E40 Front left window regulator switch
- E81 Front right window regulator switch in driver door
- E512 Operating unit for window regulator in driver door
- J519 Onboard supply control unit
- L76 Button illumination bulb
- T10p 10-pin connector
- T10s 10-pin connector
- T28a 28-pin connector, on left A-pillar
- T32a 32-pin connector, on left A-pillar
- T73c 73-pin connector, black
- V147 Driver side window regulator motor

- B340** Connection 1 (58d), in main wiring harness
- R81** Connection 1 (58d), in driver side door wiring harness
- R82** Positive connection 1 (15a), in driver side door wiring harness
- * Only models with electrically adjustable exterior mirrors
- *2 According to equipment

- ws = white
- sw = black
- ro = red
- rt = red
- br = brown
- gn = green
- bl = blue
- gr = grey
- li = purple
- vi = purple
- ge = yellow
- or = orange
- rs = pink



Driver side window regulator motor

- J519 Onboard supply control unit
- T10p 10-pin connector
- T28a 28-pin connector, on left A-pillar
- T32a 32-pin connector, on left A-pillar
- T73c 73-pin connector, black
- V147 Driver side window regulator motor

- (205) Earth connection, in driver door wiring harness
- (370) Earth connection 5, in main wiring harness
- (372) Earth connection 7, in main wiring harness
- (639) Earth point, left A-pillar
- (B710) Connection 5 (LIN bus) in main wiring harness

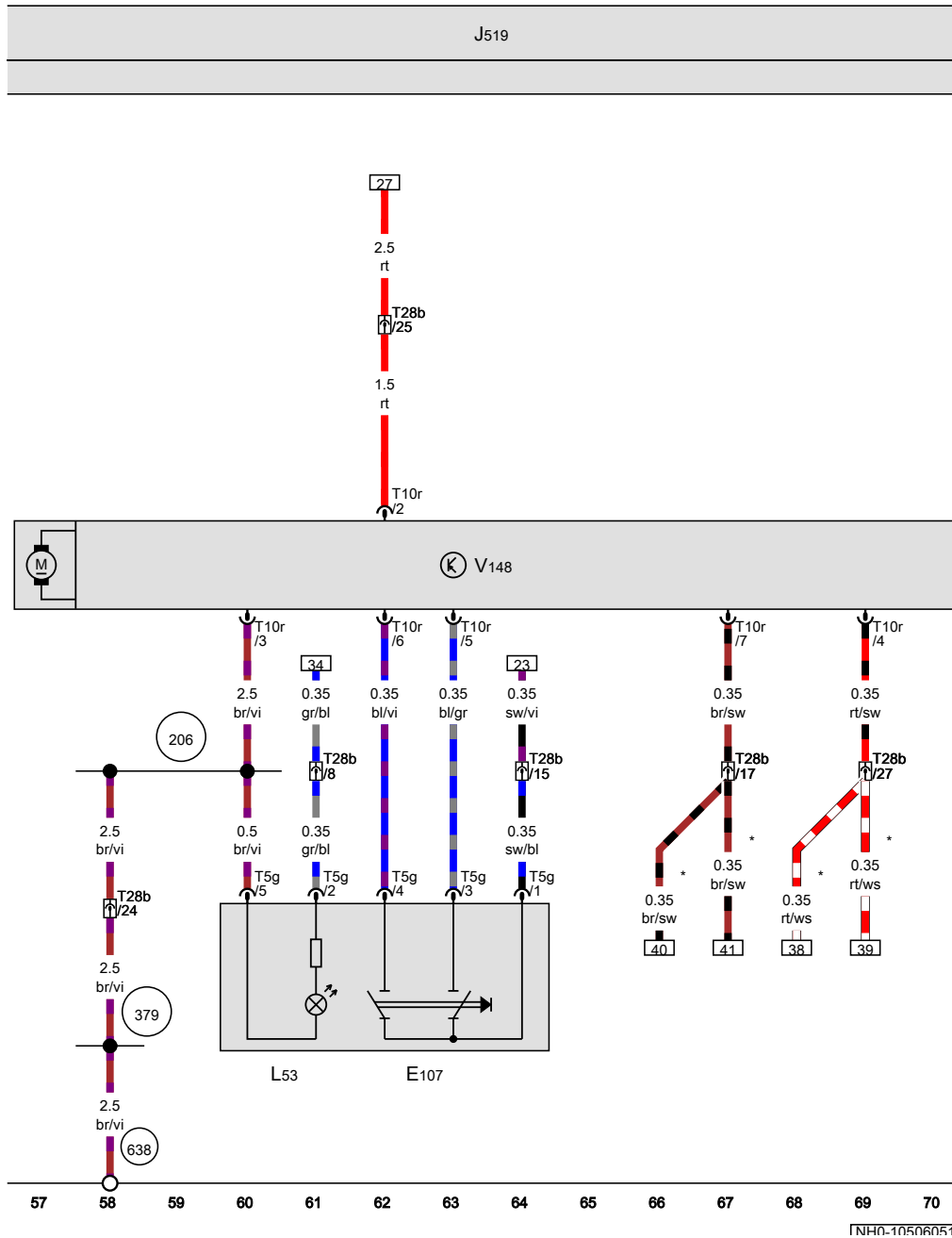
* According to equipment

- ws = white
- sw = black
- ro = red
- rt = red
- br = brown
- gn = green
- bl = blue
- gr = grey
- li = purple
- vi = purple
- ge = yellow
- or = orange
- rs = pink

Window regulator switch in front passenger door, Front passenger side window regulator motor

- E107 Window regulator switch in front passenger door
- J519 Onboard supply control unit
- L53 Window regulator switch illumination bulb
- T5g 5-pin connector
- T10r 10-pin connector
- T28b 28-pin connector, on right A-pillar
- V148 Front passenger side window regulator motor

- 206 Earth connection, in front passenger door wiring harness
- 379 Earth connection 14, in main wiring harness
- 638 Earth point, on right A-pillar
- * According to equipment



- ws = white
- sw = black
- ro = red
- rt = red
- br = brown
- gn = green
- bl = blue
- gr = grey
- li = purple
- vi = purple
- ge = yellow
- or = orange
- rs = pink

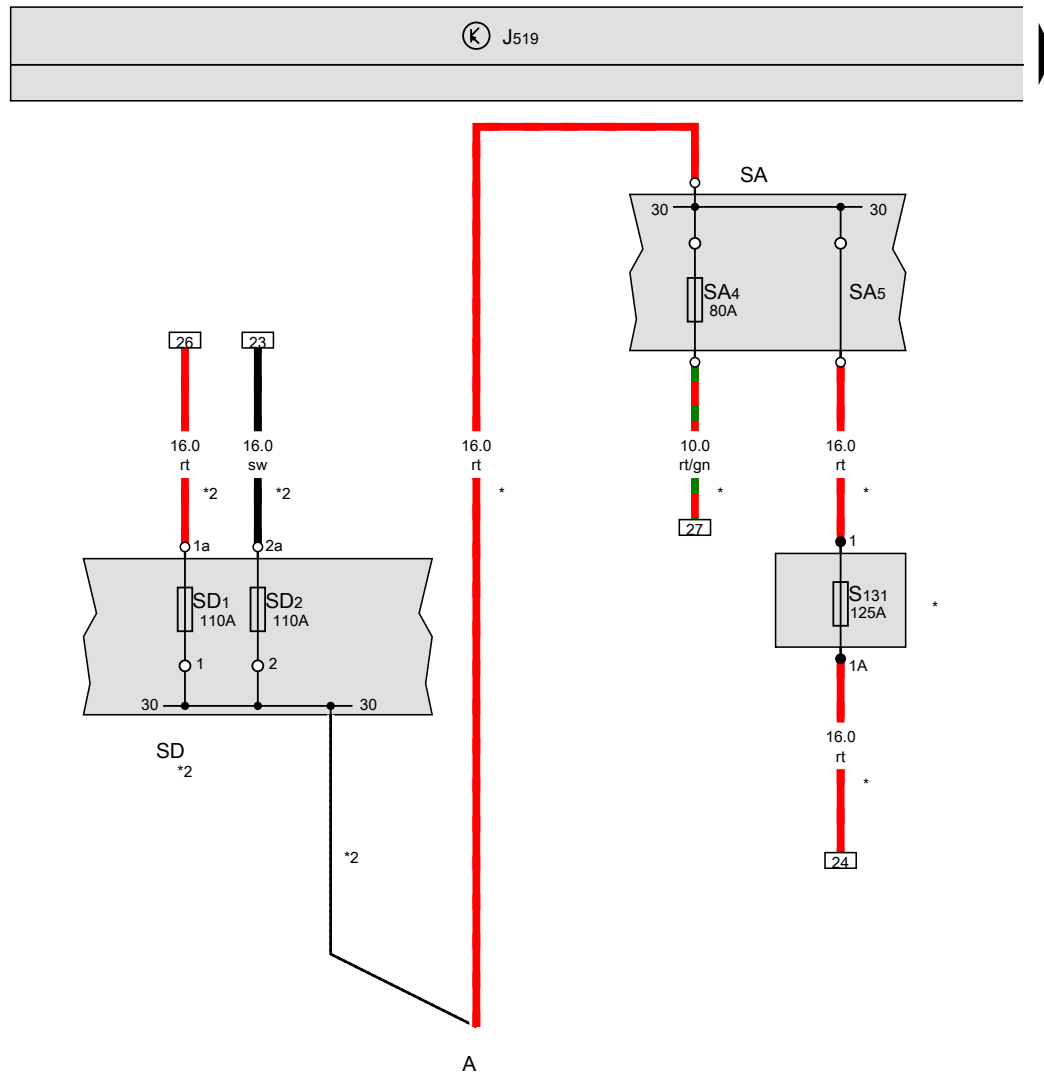
[NH0-105060516]

Convenience system with rear manually operated window regulators , (L0R)

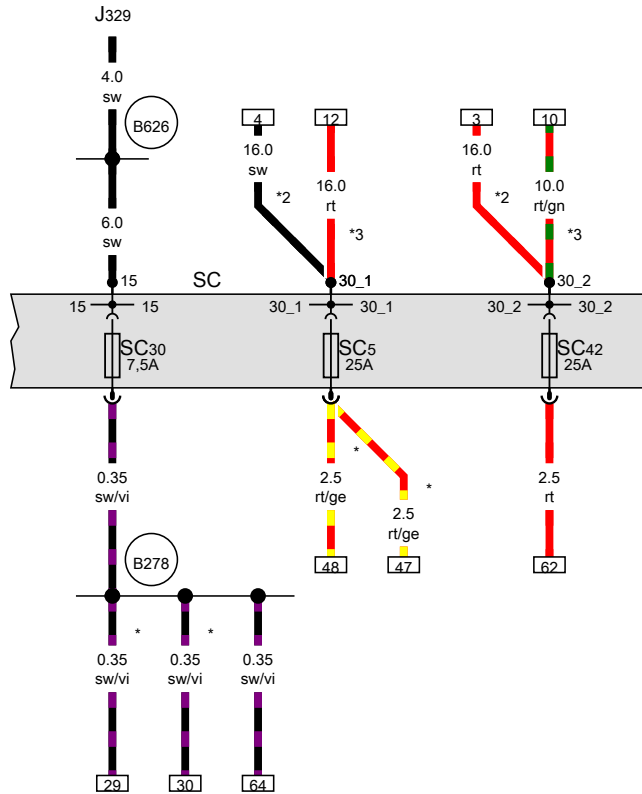
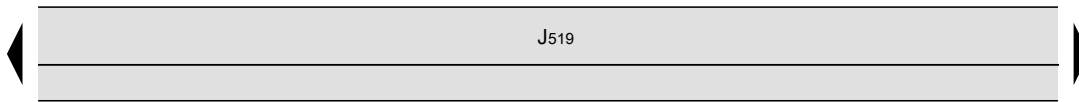
From November 2015

Battery, Fuse holder A, Fuse holder D

- A Battery
- J519 Onboard supply control unit
- SA Fuse holder A
- SD Fuse holder D
- SD1 Fuse 1 on fuse holder D
- SD2 Fuse 2 on fuse holder D
- SA4 Fuse 4 in fuse holder A
- SA5 Fuse 5 in fuse holder A
- S131 Fuse 1, in main wiring harness
- * Only models with battery in engine compartment
- *2 Only models with battery in luggage compartment



- ws = white
- sw = black
- ro = red
- rt = red
- br = brown
- gn = green
- bl = blue
- gr = grey
- li = purple
- vi = purple
- ge = yellow
- or = orange
- rs = pink



Fuse holder C

- J329 Terminal 15 voltage supply relay
- J519 Onboard supply control unit
- SC Fuse holder C
- SC5 Fuse 5 on fuse holder C
- SC30 Fuse 30 on fuse holder C
- SC42 Fuse 42 on fuse holder C

B278 Positive connection 2 (15a) in main wiring harness

B626 Positive connection 2 (15), in main wiring harness

* According to equipment

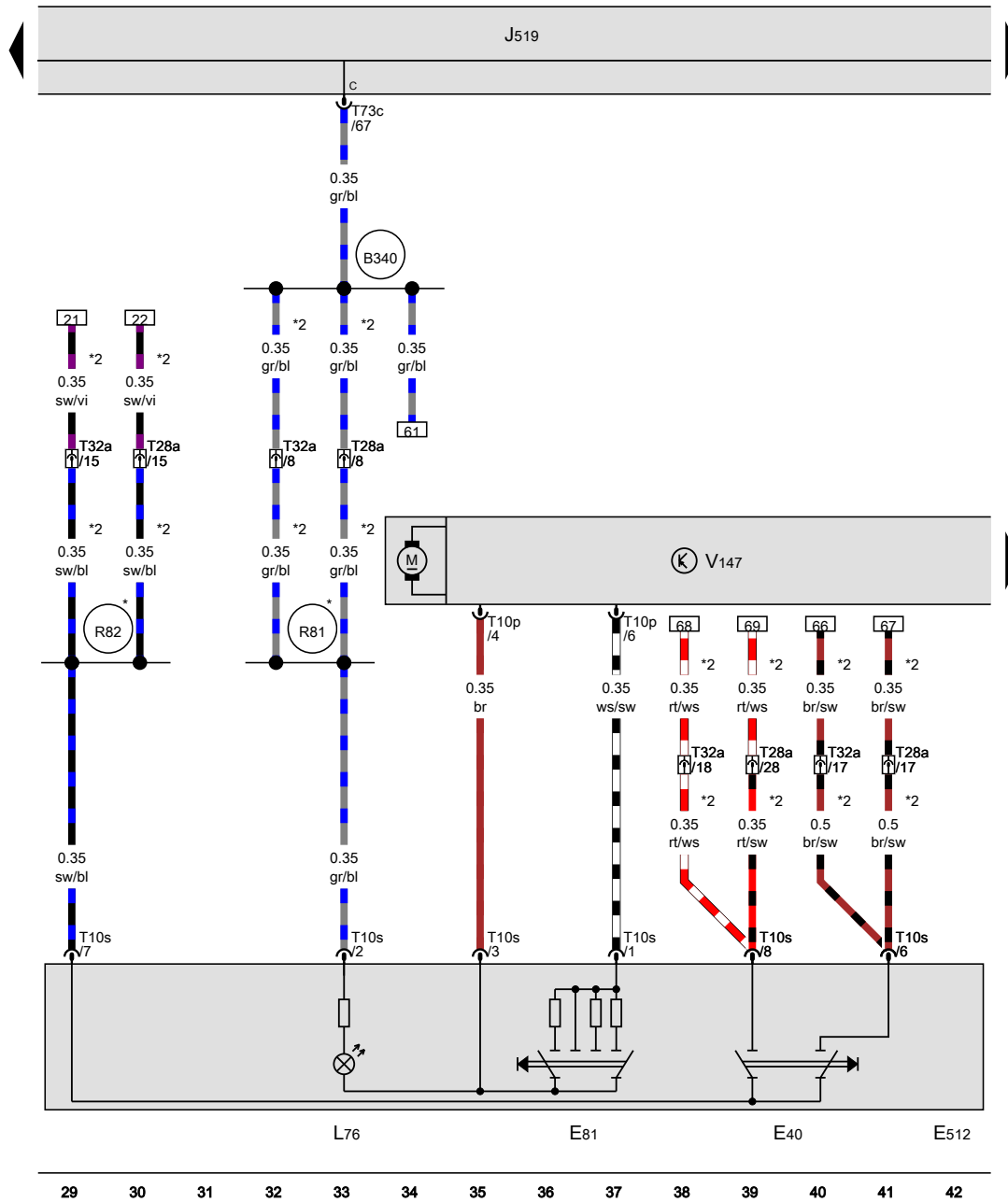
*2 Only models with battery in luggage compartment

*3 Only models with battery in engine compartment

- ws = white
- sw = black
- ro = red
- rt = red
- br = brown
- gn = green
- bl = blue
- gr = grey
- li = purple
- vi = purple
- ge = yellow
- or = orange
- rs = pink

15 16 17 18 19 20 21 22 23 24 25 26 27 28

[NH0-106030516]

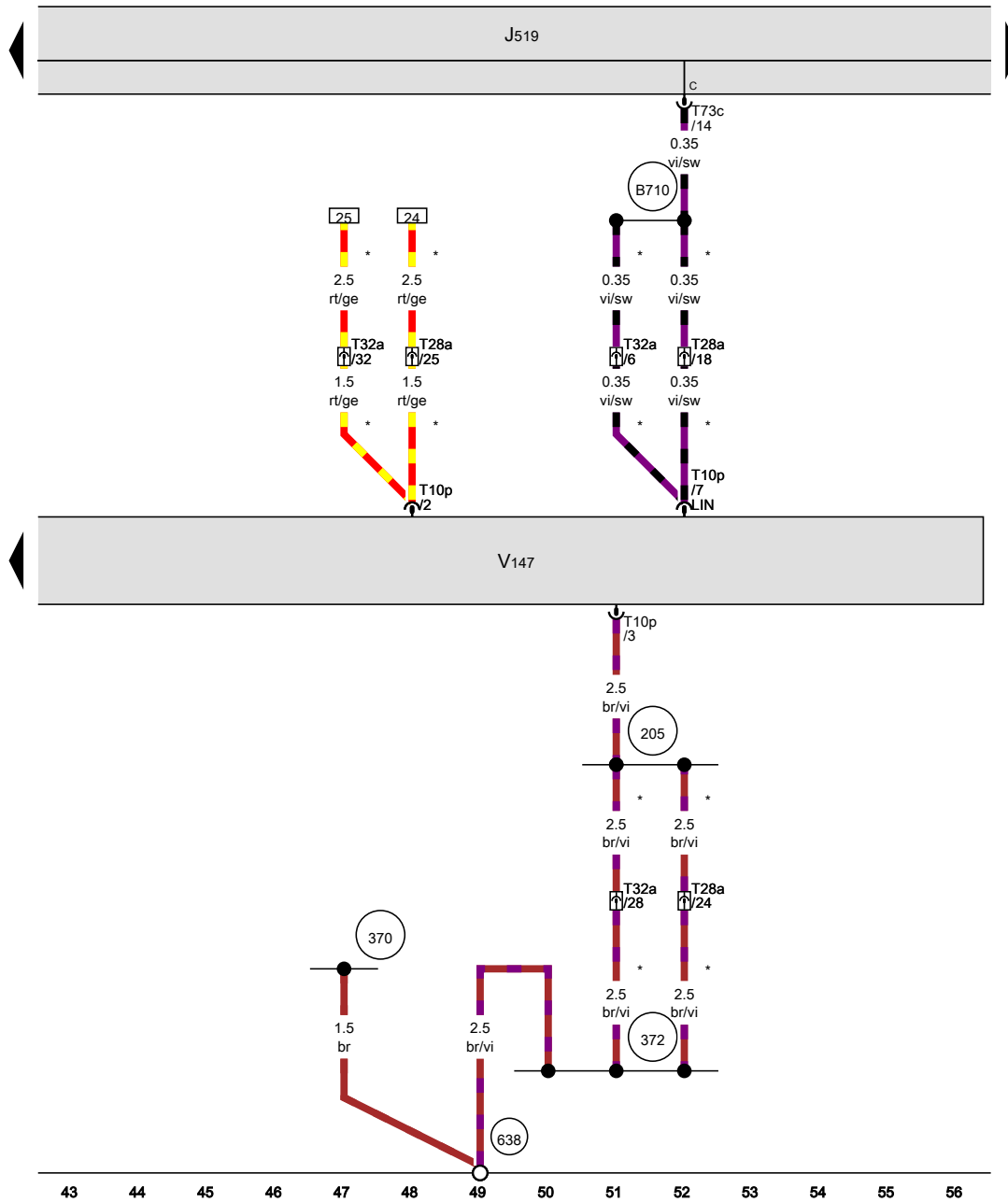


Operating unit for window regulator in driver door, Driver side window regulator motor

- E40 Front left window regulator switch
- E81 Front right window regulator switch in driver door
- E512 Operating unit for window regulator in driver door
- J519 Onboard supply control unit
- L76 Button illumination bulb
- T10p 10-pin connector
- T10s 10-pin connector
- T28a 28-pin connector, on right A-pillar
- T32a 32-pin connector, on right A-pillar
- T73c 73-pin connector, black
- V147 Driver side window regulator motor

- B340** Connection 1 (58d), in main wiring harness
- R81** Connection 1 (58d), in driver side door wiring harness
- R82** Positive connection 1 (15a), in driver side door wiring harness
- * Only models with electrically adjustable exterior mirrors
- *2 According to equipment

- ws = white
- sw = black
- ro = red
- rt = red
- br = brown
- gn = green
- bl = blue
- gr = grey
- li = purple
- vi = purple
- ge = yellow
- or = orange
- rs = pink



Driver side window regulator motor

- J519 Onboard supply control unit
- T10p 10-pin connector
- T28a 28-pin connector, on right A-pillar
- T32a 32-pin connector, on right A-pillar
- T73c 73-pin connector, black
- V147 Driver side window regulator motor

- 205 Earth connection, in driver door wiring harness
- 370 Earth connection 5, in main wiring harness
- 372 Earth connection 7, in main wiring harness
- 638 Earth point, on right A-pillar
- B710 Connection 5 (LIN bus) in main wiring harness

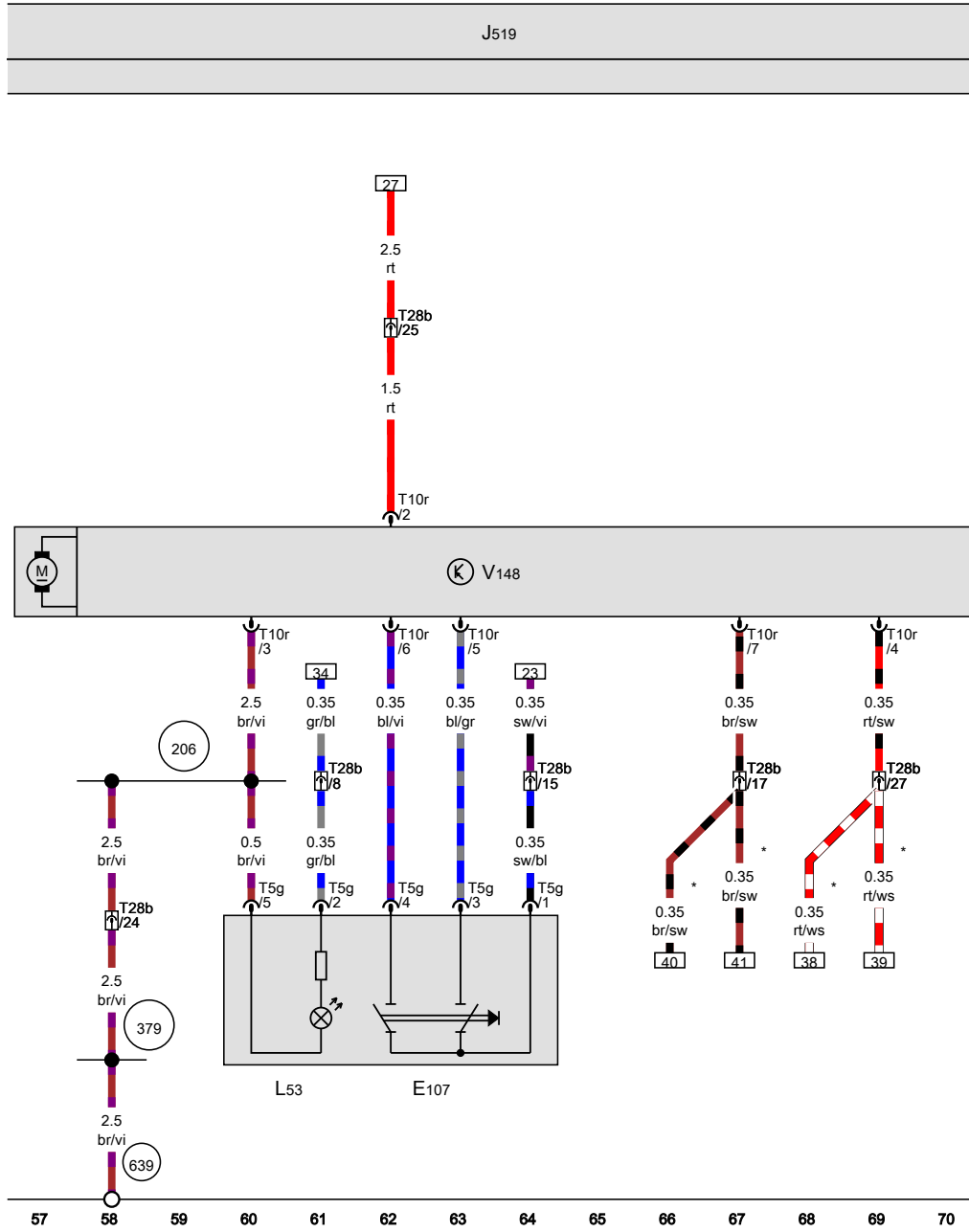
* According to equipment

- ws = white
- sw = black
- ro = red
- rt = red
- br = brown
- gn = green
- bl = blue
- gr = grey
- li = purple
- vi = purple
- ge = yellow
- or = orange
- rs = pink

Window regulator switch in front passenger door, Front passenger side window regulator motor

- E107 Window regulator switch in front passenger door
- J519 Onboard supply control unit
- L53 Window regulator switch illumination bulb
- T5g 5-pin connector
- T10r 10-pin connector
- T28b 28-pin connector, on left A-pillar
- V148 Front passenger side window regulator motor

- 206 Earth connection, in front passenger door wiring harness
- 379 Earth connection 14, in main wiring harness
- 639 Earth point, left A-pillar
- * According to equipment



- ws = white
- sw = black
- ro = red
- rt = red
- br = brown
- gn = green
- bl = blue
- gr = grey
- li = purple
- vi = purple
- ge = yellow
- or = orange
- rs = pink

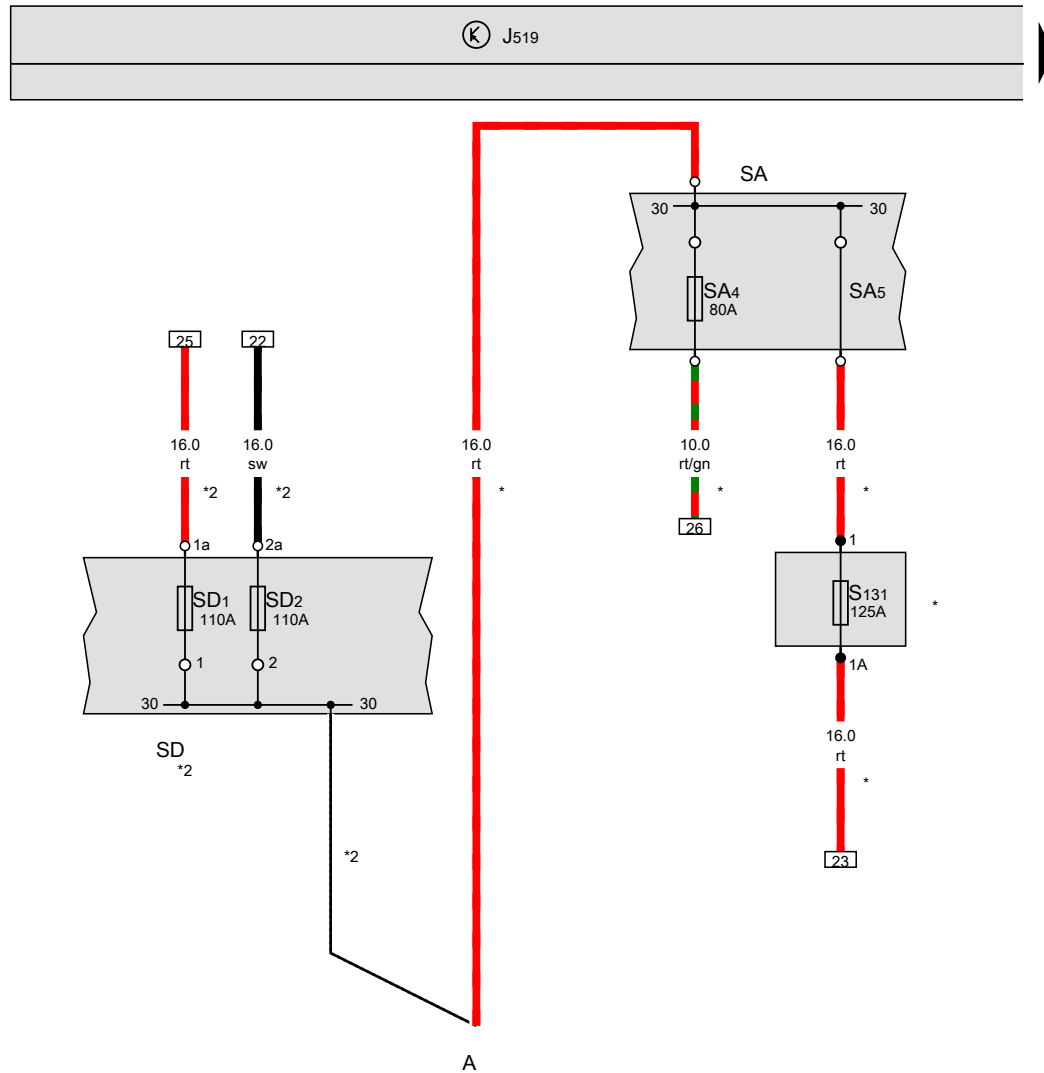
[NH0-106060516]

Convenience system with electric window regulators , (L0L)

From November 2015

Battery, Fuse holder A, Fuse holder D

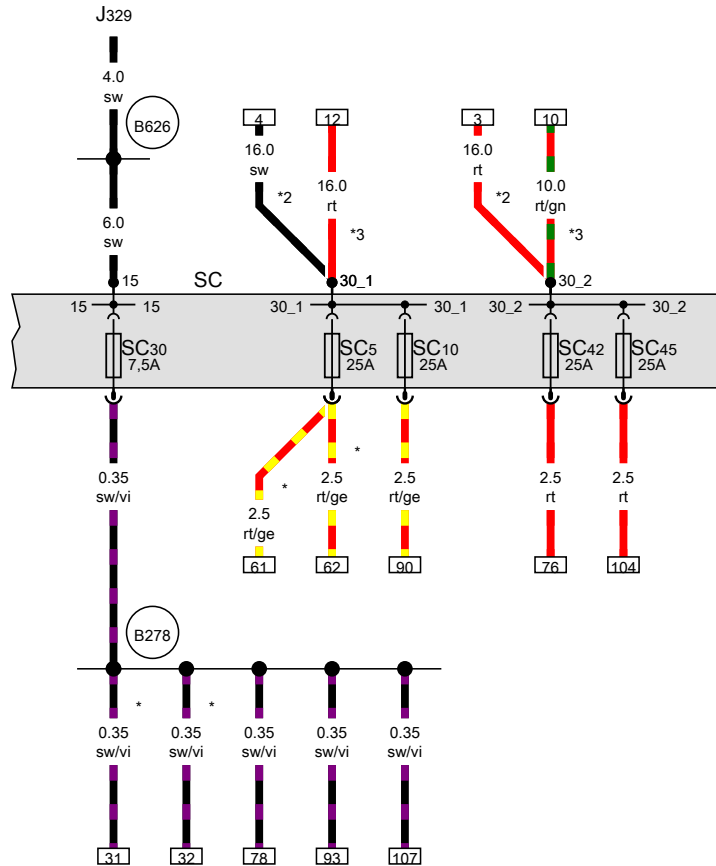
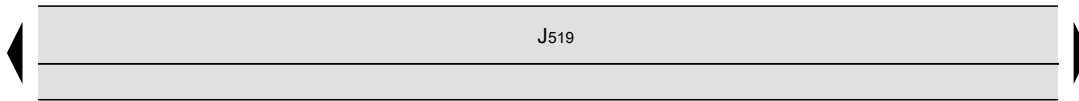
- A Battery
- J519 Onboard supply control unit
- SA Fuse holder A
- SD Fuse holder D
- SD1 Fuse 1 on fuse holder D
- SD2 Fuse 2 on fuse holder D
- SA4 Fuse 4 in fuse holder A
- SA5 Fuse 5 in fuse holder A
- S131 Fuse 1, in main wiring harness
- * Only models with battery in engine compartment
- *2 Only models with battery in luggage compartment



- ws = white
- sw = black
- ro = red
- rt = red
- br = brown
- gn = green
- bl = blue
- gr = grey
- li = purple
- vi = purple
- ge = yellow
- or = orange
- rs = pink

1 2 3 4 5 6 7 8 9 10 11 12 13 14

[NH0-107020516]



Fuse holder C

- J329 Terminal 15 voltage supply relay
- J519 Onboard supply control unit
- SC Fuse holder C
- SC5 Fuse 5 on fuse holder C
- SC10 Fuse 10 on fuse holder C
- SC30 Fuse 30 on fuse holder C
- SC42 Fuse 42 on fuse holder C
- SC45 Fuse 45 on fuse holder C

B278 Positive connection 2 (15a) in main wiring harness

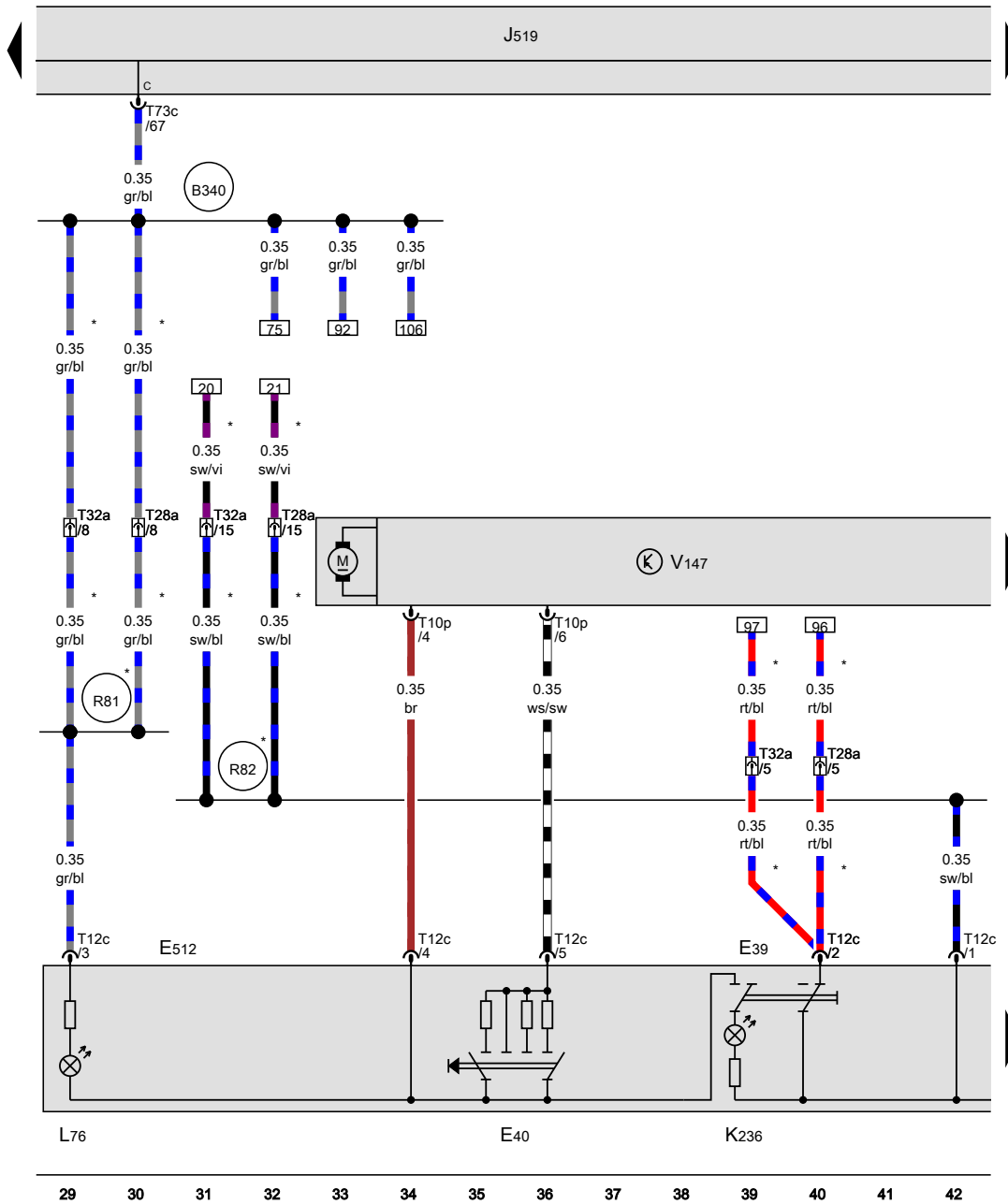
B626 Positive connection 2 (15), in main wiring harness

- * According to equipment
- *2 Only models with battery in luggage compartment
- *3 Only models with battery in engine compartment

- ws = white
- sw = black
- ro = red
- rt = red
- br = brown
- gn = green
- bl = blue
- gr = grey
- li = purple
- vi = purple
- ge = yellow
- or = orange
- rs = pink

15 16 17 18 19 20 21 22 23 24 25 26 27 28

[NH0-107030516]



Operating unit for window regulator in driver door, Driver side window regulator motor

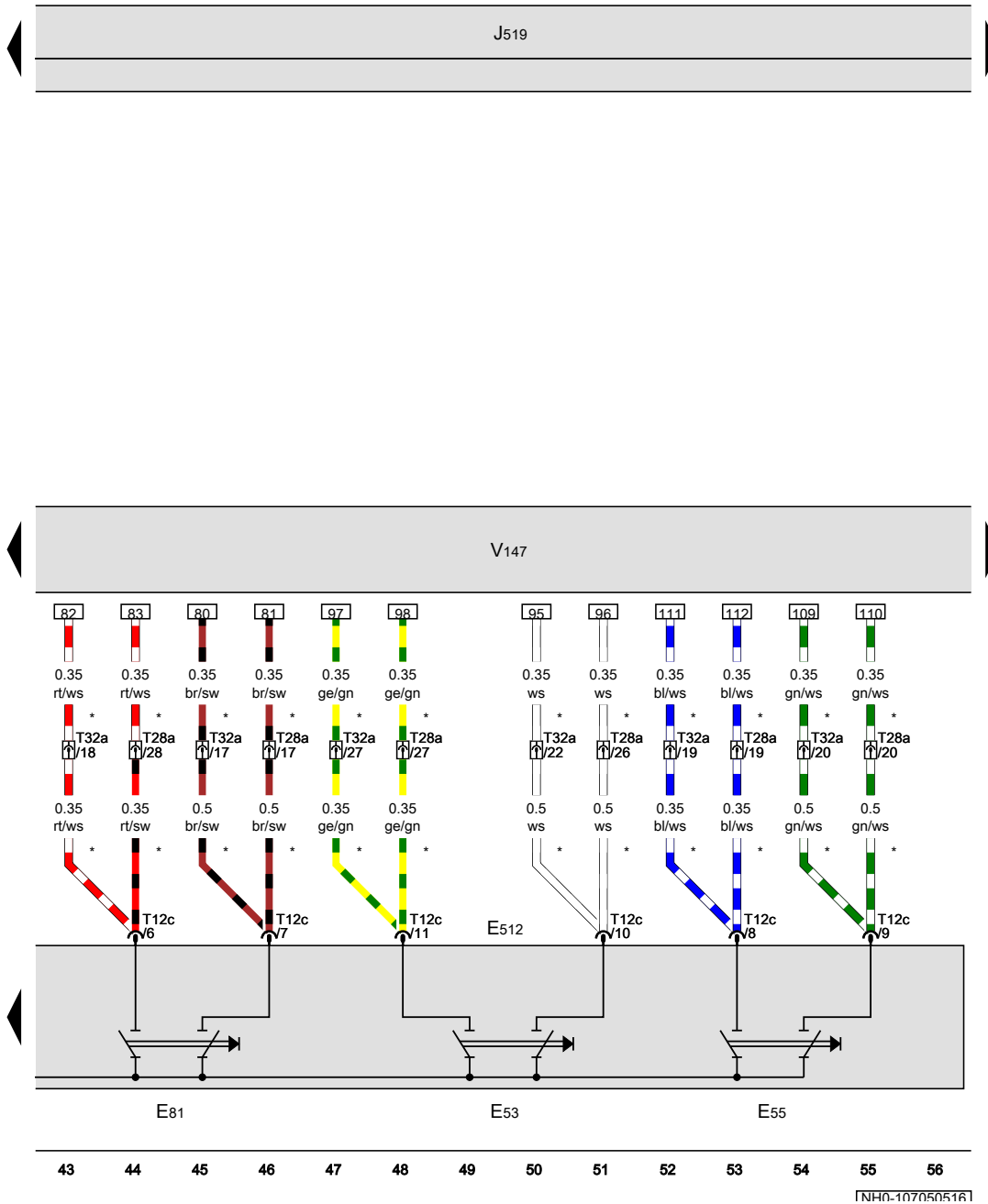
- E39 Rear window regulator isolation switch
- E40 Front left window regulator switch
- E512 Operating unit for window regulator in driver door
- J519 Onboard supply control unit
- K236 Warning light for activated childproof lock
- L76 Button illumination bulb
- T10p 10-pin connector
- T12c 12-pin connector
- T28a 28-pin connector, on left A-pillar
- T32a 32-pin connector, on left A-pillar
- T73c 73-pin connector, black
- V147 Driver side window regulator motor

- B340 Connection 1 (58d), in main wiring harness
- R81 Connection 1 (58d), in driver side door wiring harness
- R82 Positive connection 1 (15a), in driver side door wiring harness
- * According to equipment

- ws = white
- sw = black
- ro = red
- rt = red
- br = brown
- gn = green
- bl = blue
- gr = grey
- li = purple
- vi = purple
- ge = yellow
- or = orange
- rs = pink

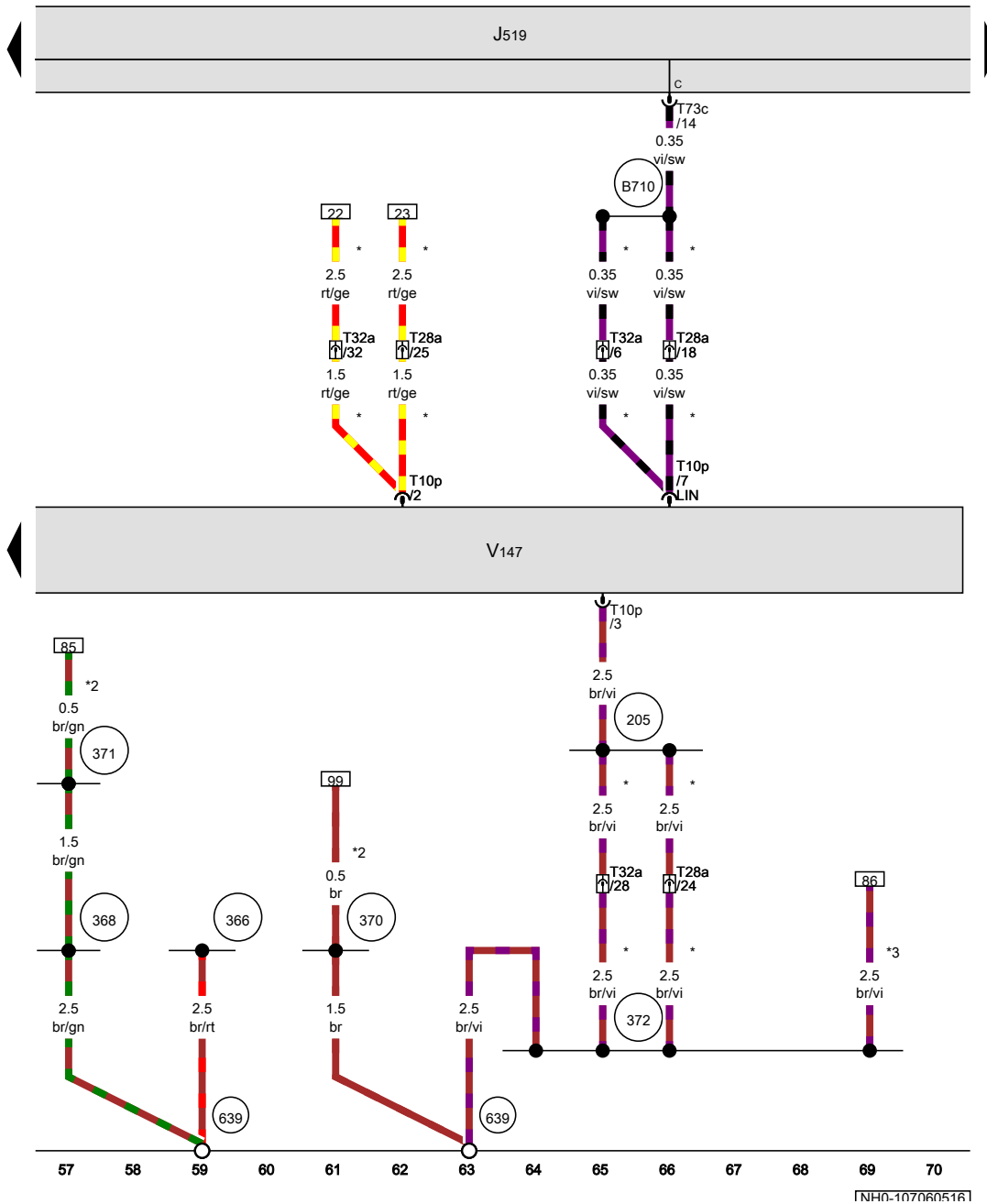
Operating unit for window regulator in driver door, Driver side window regulator motor

- E53 Rear left window regulator switch, in driver door
- E55 Rear right window regulator switch, in driver door
- E81 Front right window regulator switch in driver door
- E512 Operating unit for window regulator in driver door
- J519 Onboard supply control unit
- T12c 12-pin connector
- T28a 28-pin connector, on left A-pillar
- T32a 32-pin connector, on left A-pillar
- V147 Driver side window regulator motor
- * According to equipment



- ws = white
- sw = black
- ro = red
- rt = red
- br = brown
- gn = green
- bl = blue
- gr = grey
- li = purple
- vi = purple
- ge = yellow
- or = orange
- rs = pink

[NH0-107050516]



Driver side window regulator motor

- J519 Onboard supply control unit
- T10p 10-pin connector
- T28a 28-pin connector, on left A-pillar
- T32a 32-pin connector, on left A-pillar
- T73c 73-pin connector, black
- V147 Driver side window regulator motor

- 205 Earth connection, in driver door wiring harness
- 366 Earth connection 1, in main wiring harness
- 368 Earth connection 3, in main wiring harness
- 370 Earth connection 5, in main wiring harness
- 371 Earth connection 6, in main wiring harness
- 372 Earth connection 7, in main wiring harness
- 639 Earth point, left A-pillar
- B710 Connection 5 (LIN bus) in main wiring harness

- * According to equipment
- *2 Only models with front window regulators
- *3 Only models with front and rear window regulators

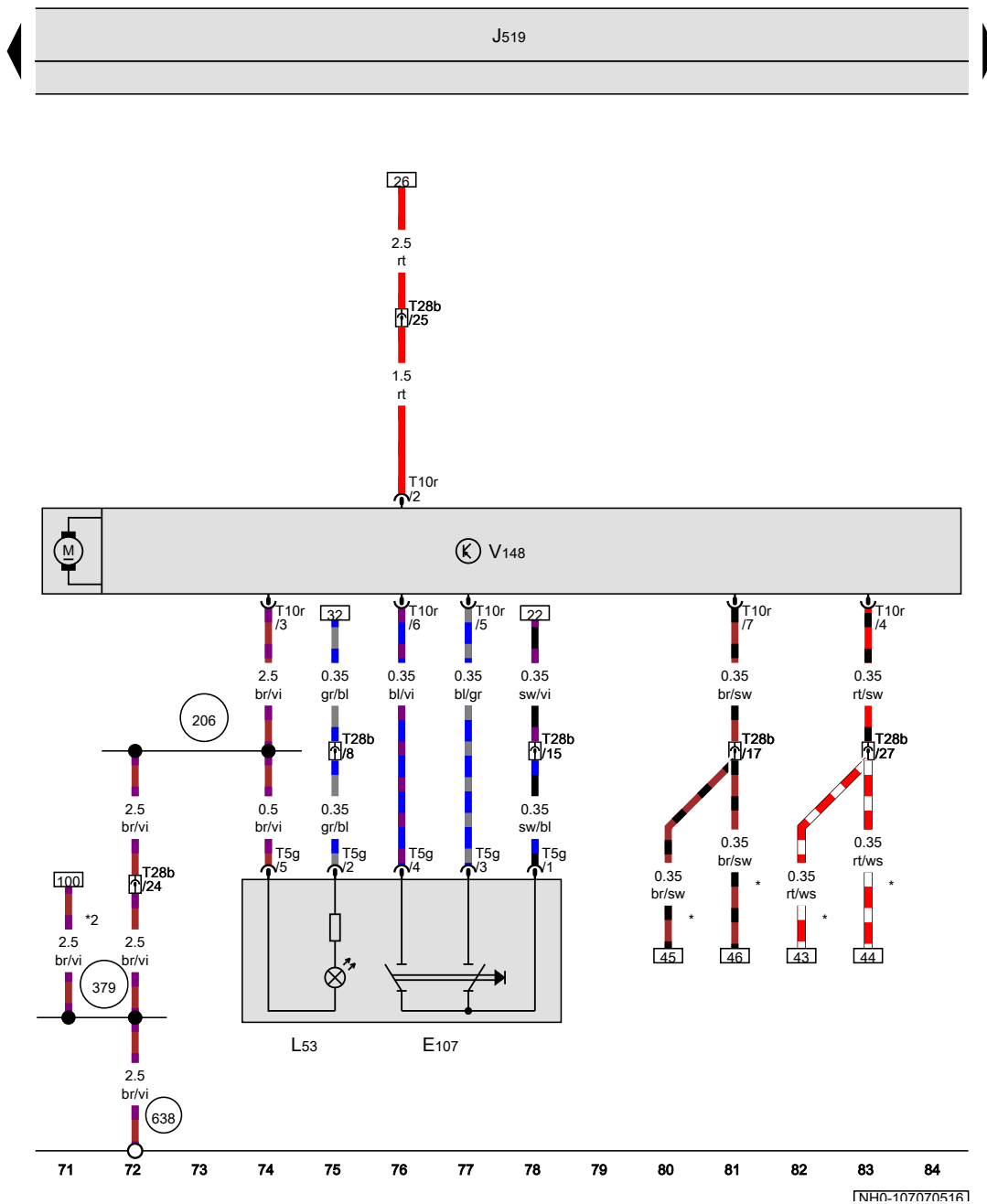
- ws = white
- sw = black
- ro = red
- rt = red
- br = brown
- gn = green
- bl = blue
- gr = grey
- li = purple
- vi = purple
- ge = yellow
- or = orange
- rs = pink

1NH0-107060516

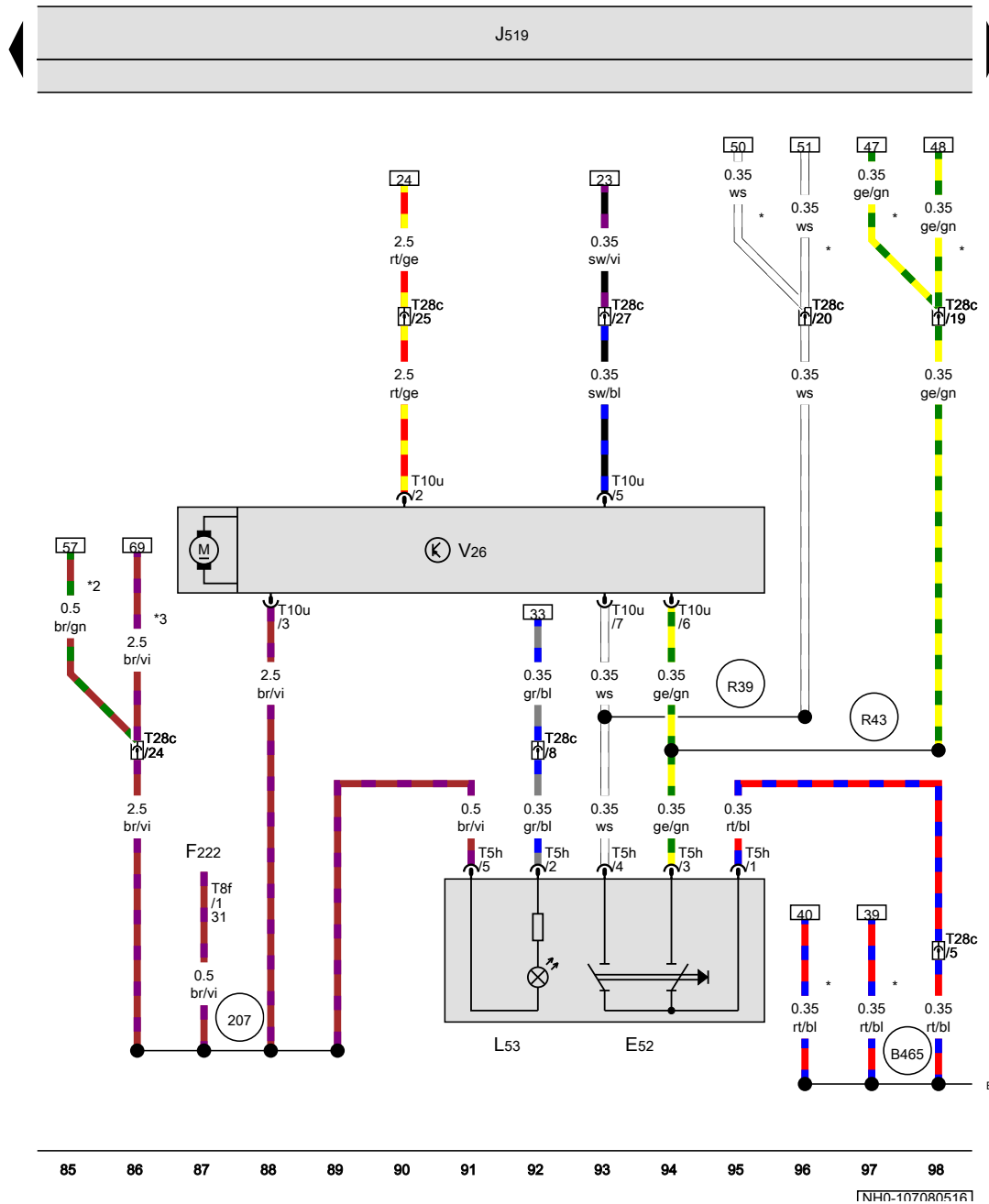
Window regulator switch in front passenger door, Front passenger side window regulator motor

- E107 Window regulator switch in front passenger door
- J519 Onboard supply control unit
- L53 Window regulator switch illumination bulb
- T5g 5-pin connector
- T10r 10-pin connector
- T28b 28-pin connector, on right A-pillar
- V148 Front passenger side window regulator motor

- 206 Earth connection, in front passenger door wiring harness
- 379 Earth connection 14, in main wiring harness
- 638 Earth point, on right A-pillar
- * According to equipment
- *2 Only models with front and rear window regulators



[NH0-107070516]



Rear left window regulator switch, in door, Rear left window regulator motor

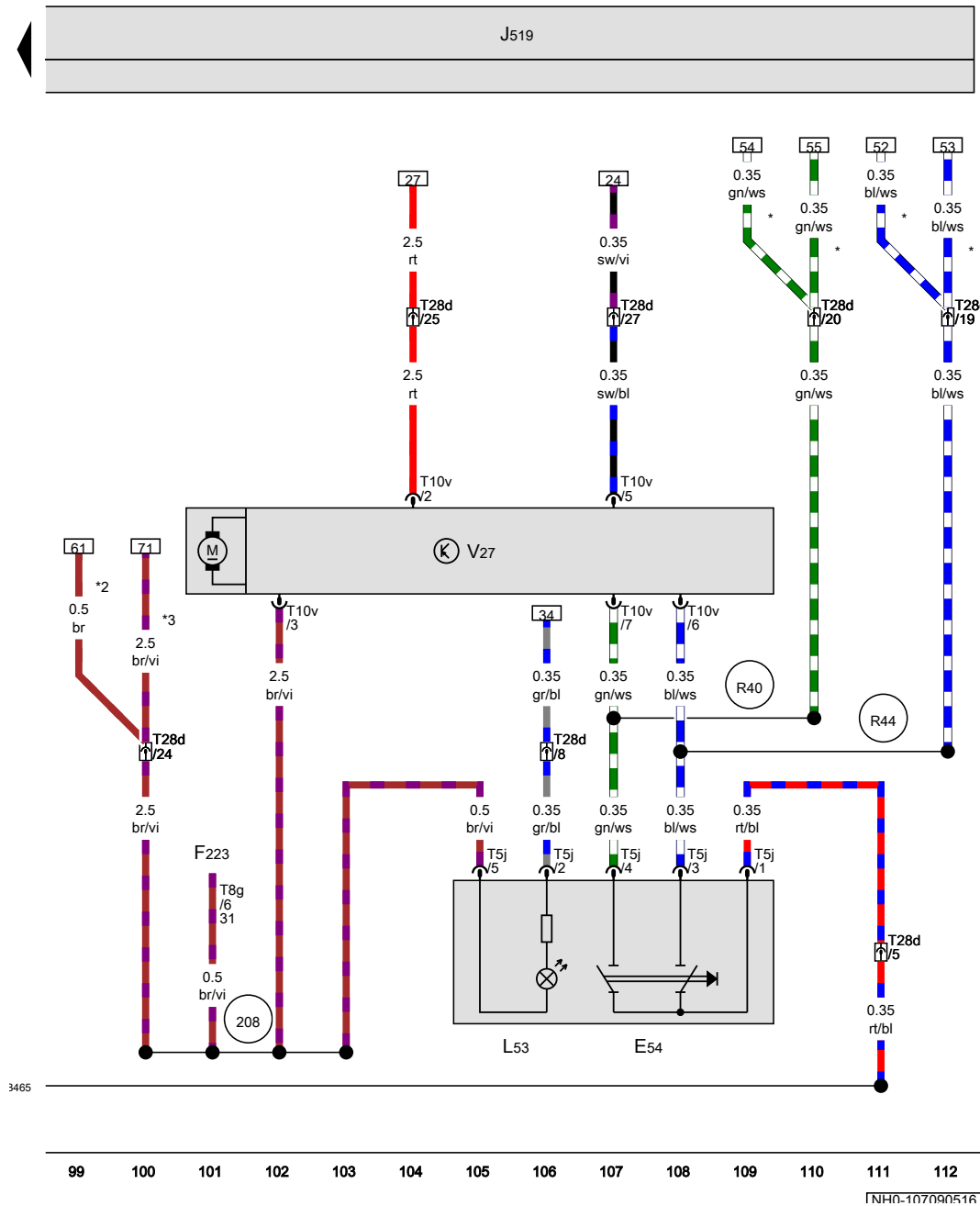
- E52 Rear left window regulator switch, in door
- F222 Rear left central locking lock unit
- J519 Onboard supply control unit
- L53 Window regulator switch illumination bulb
- T5h 5-pin connector
- T8f 8-pin connector
- T10u 10-pin connector
- T28c 28-pin connector, on left B-pillar
- V26 Rear left window regulator motor

- (207) Earth connection, in rear left door wiring harness
- (B465) Connection 1, in main wiring harness
- (R39) Connection 1 (window regulator), in rear left door wiring harness
- (R43) Connection 2 (window regulator), in rear left door wiring harness

- * According to equipment
- *2 Only models with front window regulators
- *3 Only models with front and rear window regulators

- ws = white
- sw = black
- ro = red
- rt = red
- br = brown
- gn = green
- bl = blue
- gr = grey
- li = purple
- vi = purple
- ge = yellow
- or = orange
- rs = pink

Rear right window regulator switch, in door, Rear right window regulator motor



- E54 Rear right window regulator switch, in door
- F223 Rear right central locking lock unit
- J519 Onboard supply control unit
- L53 Window regulator switch illumination bulb
- T5j 5-pin connector
- T8g 8-pin connector
- T10v 10-pin connector
- T28d 28-pin connector, on right B-pillar
- V27 Rear right window regulator motor
- (208) Earth connection, in rear right door wiring harness
- (B465) Connection 1, in main wiring harness
- (R40) Connection 1 (window regulator), in rear right door wiring harness
- (R44) Connection 2 (window regulator), in rear right door wiring harness
- * According to equipment
- *2 Only models with front window regulators
- *3 Only models with front and rear window regulators

- ws = white
- sw = black
- ro = red
- rt = red
- br = brown
- gn = green
- bl = blue
- gr = grey
- li = purple
- vi = purple
- ge = yellow
- or = orange
- rs = pink

3465

99 100 101 102 103 104 105 106 107 108 109 110 111 112

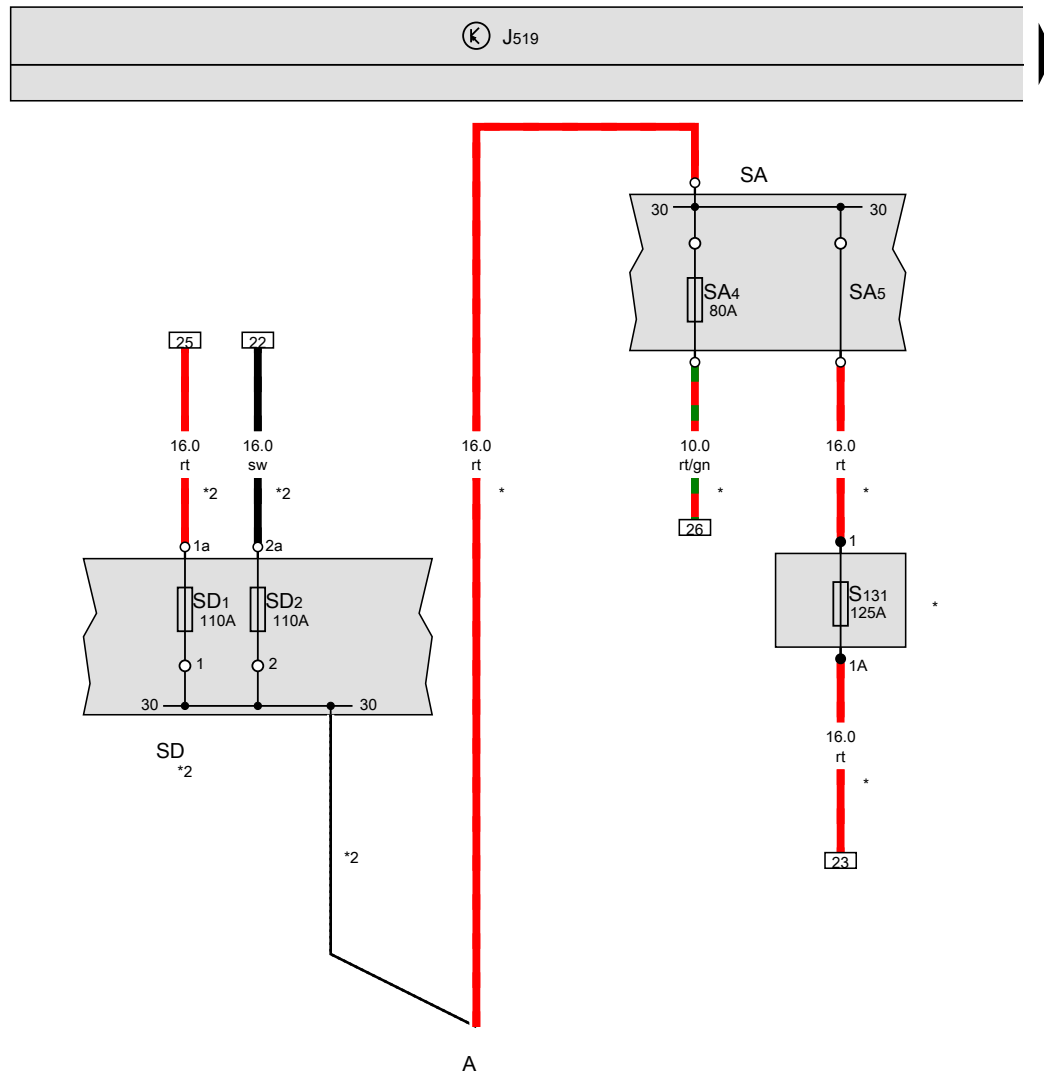
1NH0-107090516

Convenience system with electric window regulators , (L0R)

From November 2015

Battery, Fuse holder A, Fuse holder D

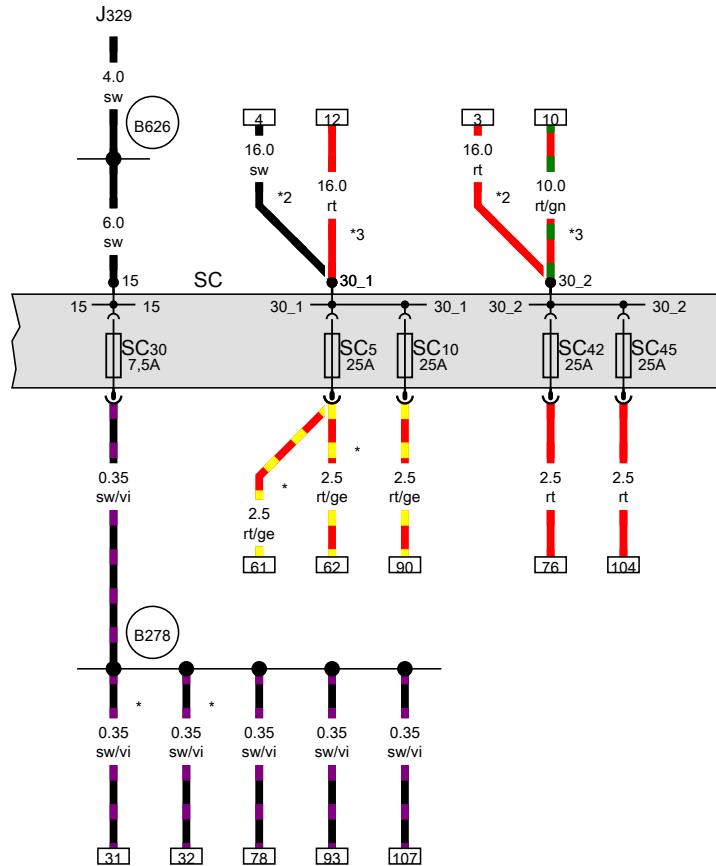
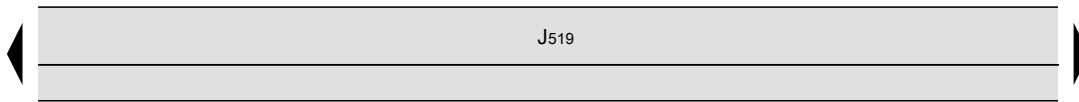
- A Battery
- J519 Onboard supply control unit
- SA Fuse holder A
- SD Fuse holder D
- SD1 Fuse 1 on fuse holder D
- SD2 Fuse 2 on fuse holder D
- SA4 Fuse 4 in fuse holder A
- SA5 Fuse 5 in fuse holder A
- S131 Fuse 1, in main wiring harness
- * Only models with battery in engine compartment
- *2 Only models with battery in luggage compartment



- ws = white
- sw = black
- ro = red
- rt = red
- br = brown
- gn = green
- bl = blue
- gr = grey
- li = purple
- vi = purple
- ge = yellow
- or = orange
- rs = pink

1 2 3 4 5 6 7 8 9 10 11 12 13 14

[NH0-108020516]



Fuse holder C

- J329 Terminal 15 voltage supply relay
- J519 Onboard supply control unit
- SC Fuse holder C
- SC5 Fuse 5 on fuse holder C
- SC10 Fuse 10 on fuse holder C
- SC30 Fuse 30 on fuse holder C
- SC42 Fuse 42 on fuse holder C
- SC45 Fuse 45 on fuse holder C

B278 Positive connection 2 (15a) in main wiring harness

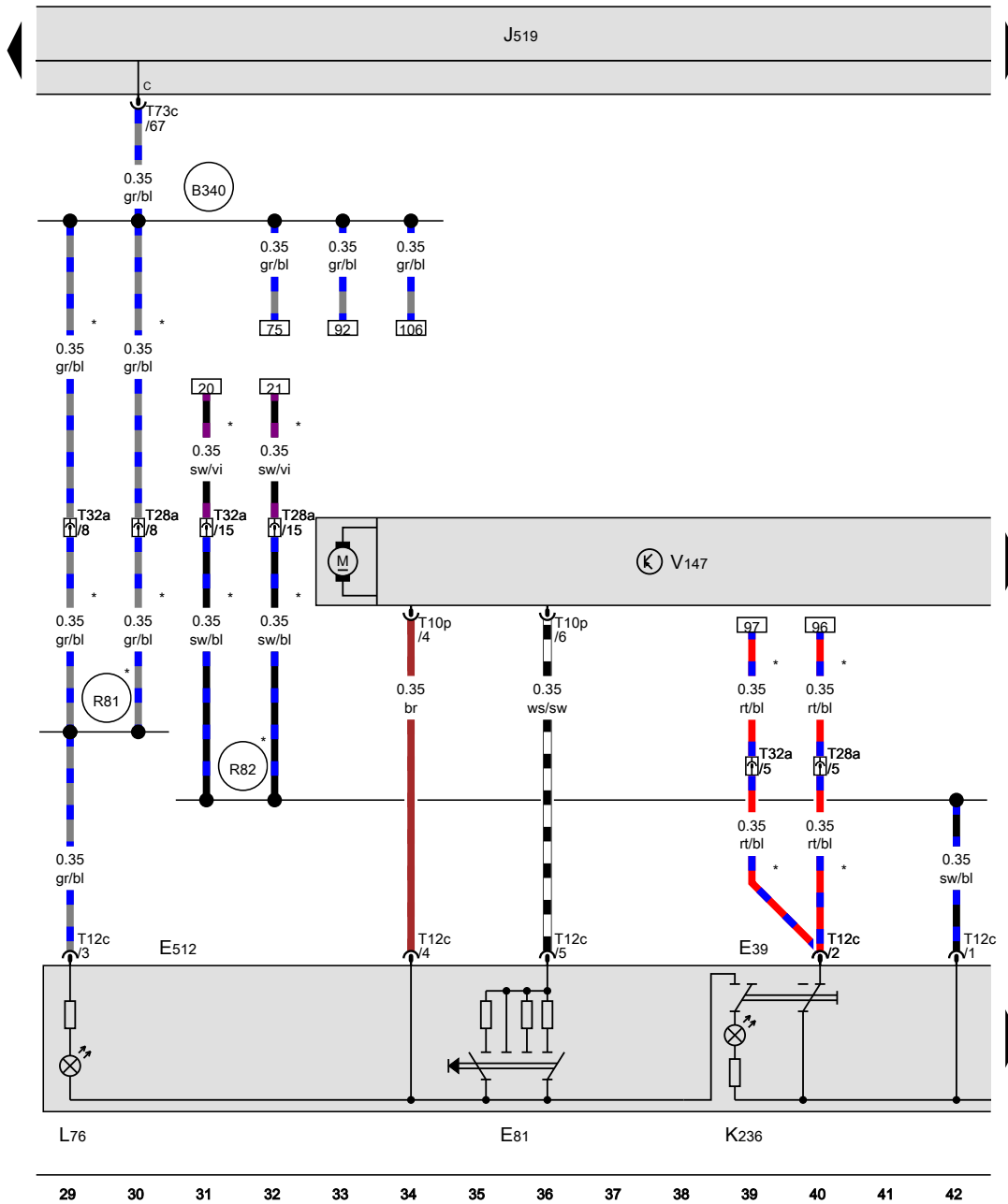
B626 Positive connection 2 (15), in main wiring harness

- * According to equipment
- *2 Only models with battery in luggage compartment
- *3 Only models with battery in engine compartment

- ws = white
- sw = black
- ro = red
- rt = red
- br = brown
- gn = green
- bl = blue
- gr = grey
- li = purple
- vi = purple
- ge = yellow
- or = orange
- rs = pink

15 16 17 18 19 20 21 22 23 24 25 26 27 28

[NH0-108030516]



Operating unit for window regulator in driver door, Driver side window regulator motor

- E39 Rear window regulator isolation switch
- E81 Front right window regulator switch in driver door
- E512 Operating unit for window regulator in driver door
- J519 Onboard supply control unit
- K236 Warning light for activated childproof lock
- L76 Button illumination bulb
- T10p 10-pin connector
- T12c 12-pin connector
- T28a 28-pin connector, on right A-pillar
- T32a 32-pin connector, on right A-pillar
- T73c 73-pin connector, black
- V147 Driver side window regulator motor

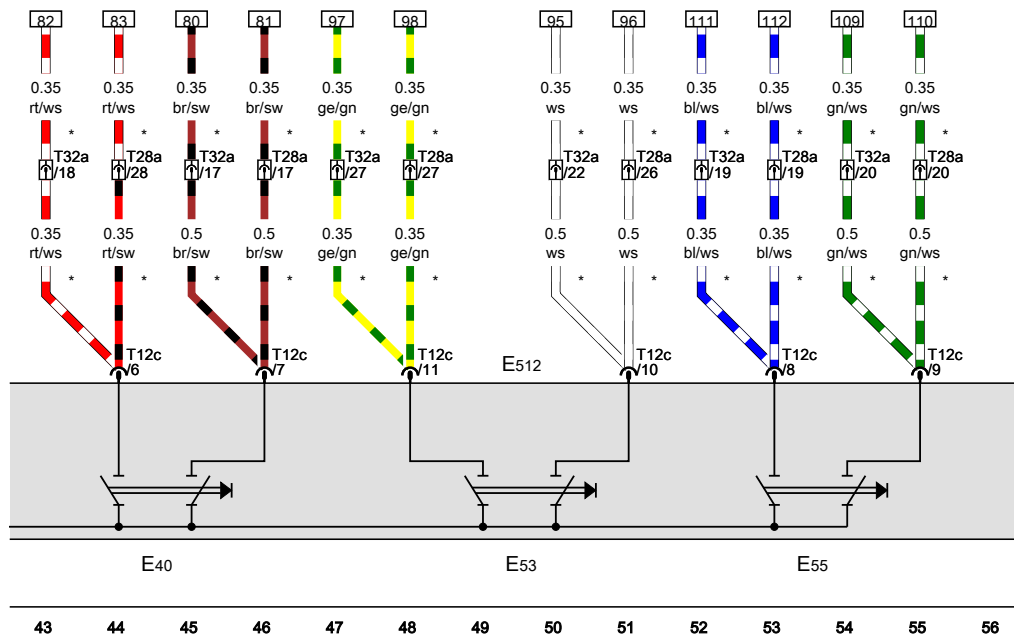
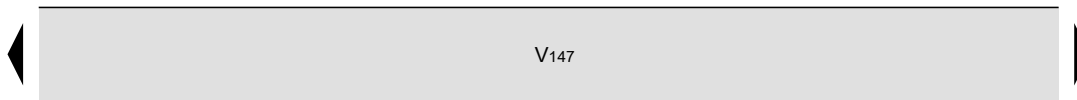
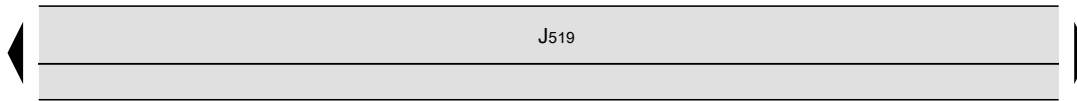
- B340 Connection 1 (58d), in main wiring harness
- R81 Connection 1 (58d), in driver side door wiring harness
- R82 Positive connection 1 (15a), in driver side door wiring harness
- * According to equipment

- ws = white
- sw = black
- ro = red
- rt = red
- br = brown
- gn = green
- bl = blue
- gr = grey
- li = purple
- vi = purple
- ge = yellow
- or = orange
- rs = pink

[NH0-108040516]

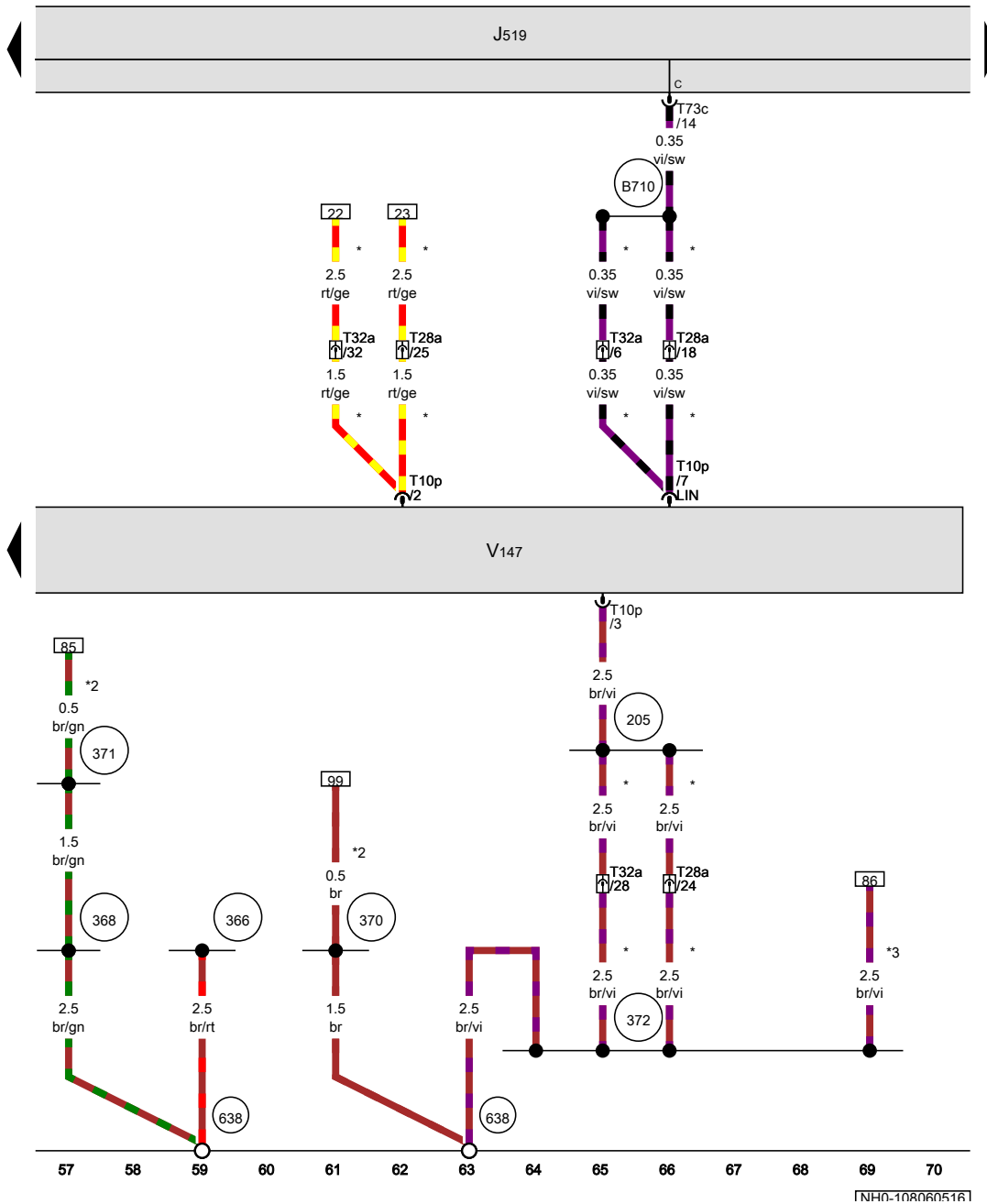
Operating unit for window regulator in driver door, Driver side window regulator motor

- E40 Front left window regulator switch
- E53 Rear left window regulator switch, in driver door
- E55 Rear right window regulator switch, in driver driver door
- E512 Operating unit for window regulator in driver door
- J519 Onboard supply control unit
- T12c 12-pin connector
- T28a 28-pin connector, on right A-pillar
- T32a 32-pin connector, on right A-pillar
- V147 Driver side window regulator motor
- * According to equipment



- ws = white
- sw = black
- ro = red
- rt = red
- br = brown
- gn = green
- bl = blue
- gr = grey
- li = purple
- vi = purple
- ge = yellow
- or = orange
- rs = pink

[NH0-108050516]



Driver side window regulator motor

- J519 Onboard supply control unit
- T10p 10-pin connector
- T28a 28-pin connector, on right A-pillar
- T32a 32-pin connector, on right A-pillar
- T73c 73-pin connector, black
- V147 Driver side window regulator motor

- 205 Earth connection, in driver door wiring harness
- 366 Earth connection 1, in main wiring harness
- 368 Earth connection 3, in main wiring harness
- 370 Earth connection 5, in main wiring harness
- 371 Earth connection 6, in main wiring harness
- 372 Earth connection 7, in main wiring harness
- 638 Earth point, on right A-pillar
- B710 Connection 5 (LIN bus) in main wiring harness

- * According to equipment
- *2 Only models with front window regulators
- *3 Only models with front and rear window regulators

- ws = white
- sw = black
- ro = red
- rt = red
- br = brown
- gn = green
- bl = blue
- gr = grey
- li = purple
- vi = purple
- ge = yellow
- or = orange
- rs = pink

[NH0-108060516]

Window regulator switch in front passenger door, Front passenger side window regulator motor

- E107 Window regulator switch in front passenger door
- J519 Onboard supply control unit
- L53 Window regulator switch illumination bulb
- T5g 5-pin connector
- T10r 10-pin connector
- T28b 28-pin connector, on left A-pillar
- V148 Front passenger side window regulator motor

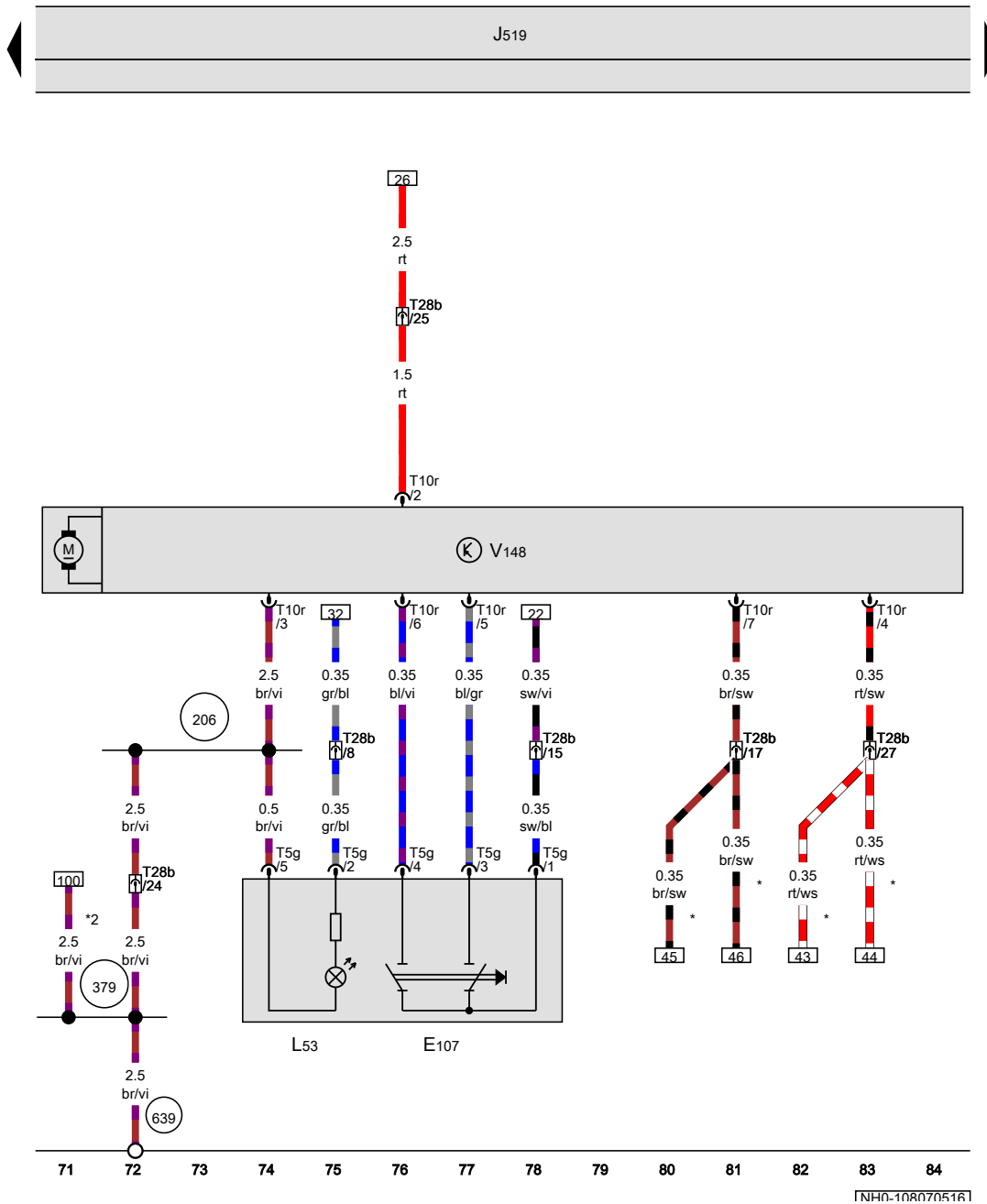
206 Earth connection, in front passenger door wiring harness

379 Earth connection 14, in main wiring harness

639 Earth point, left A-pillar

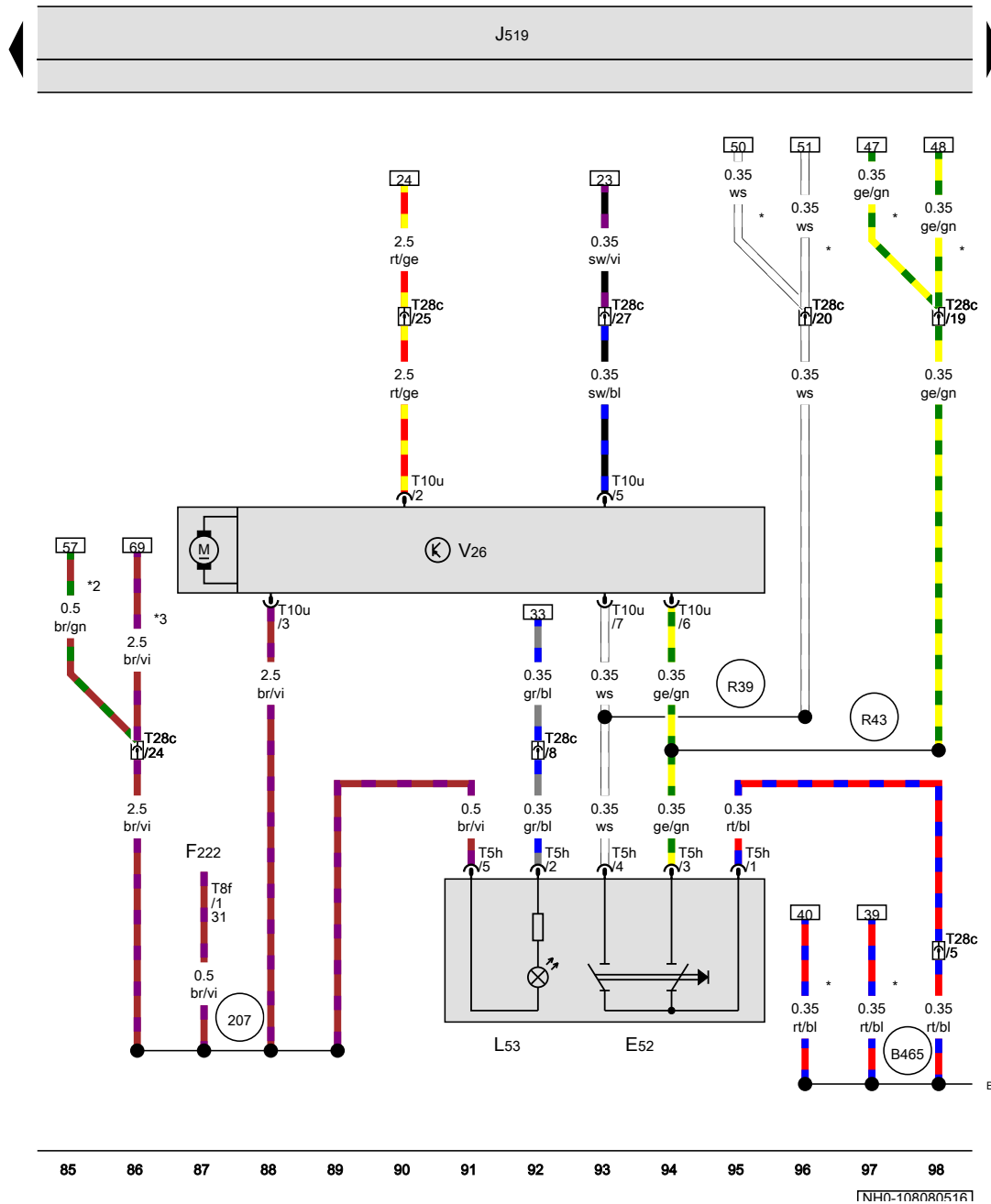
* According to equipment

*2 Only models with front and rear window regulators



- ws = white
- sw = black
- ro = red
- rt = red
- br = brown
- gn = green
- bl = blue
- gr = grey
- li = purple
- vi = purple
- ge = yellow
- or = orange
- rs = pink

[NH0-108070516]



Rear left window regulator switch, in door, Rear left window regulator motor

- E52 Rear left window regulator switch, in door
- F222 Rear left central locking lock unit
- J519 Onboard supply control unit
- L53 Window regulator switch illumination bulb
- T5h 5-pin connector
- T8f 8-pin connector
- T10u 10-pin connector
- T28c 28-pin connector, on left B-pillar
- V26 Rear left window regulator motor

- (207) Earth connection, in rear left door wiring harness
- (B465) Connection 1, in main wiring harness
- (R39) Connection 1 (window regulator), in rear left door wiring harness
- (R43) Connection 2 (window regulator), in rear left door wiring harness

- * According to equipment
- *2 Only models with front window regulators
- *3 Only models with front and rear window regulators

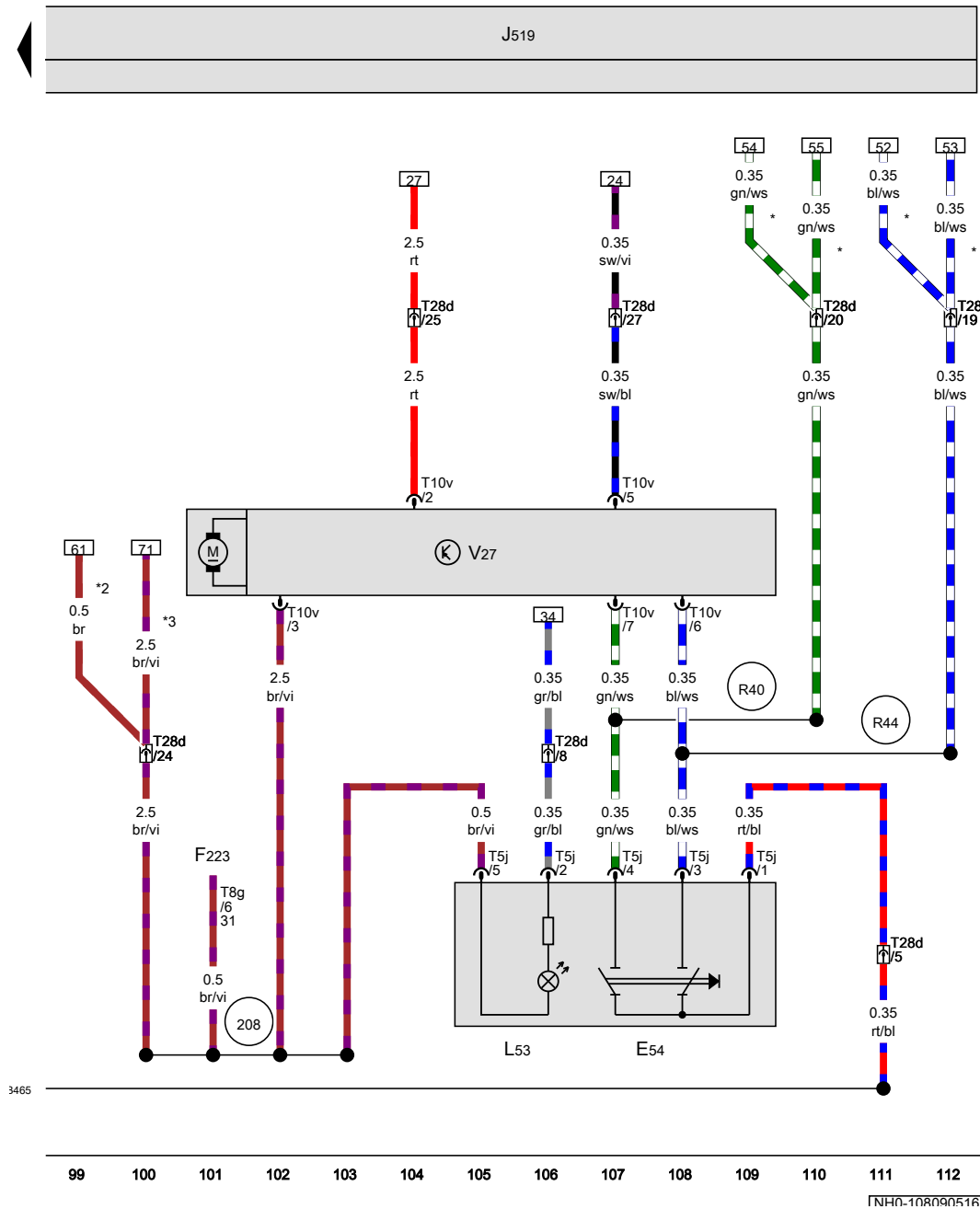
ws = white
 sw = black
 ro = red
 rt = red
 br = brown
 gn = green
 bl = blue
 gr = grey
 li = purple
 vi = purple
 ge = yellow
 or = orange
 rs = pink

Rear right window regulator switch, in door, Rear right window regulator motor

- E54 Rear right window regulator switch, in door
- F223 Rear right central locking lock unit
- J519 Onboard supply control unit
- L53 Window regulator switch illumination bulb
- T5j 5-pin connector
- T8g 8-pin connector
- T10v 10-pin connector
- T28d 28-pin connector, on right B-pillar
- V27 Rear right window regulator motor

- (208) Earth connection, in rear right door wiring harness
- (B465) Connection 1, in main wiring harness
- (R40) Connection 1 (window regulator), in rear right door wiring harness
- (R44) Connection 2 (window regulator), in rear right door wiring harness

- * According to equipment
- *2 Only models with front window regulators
- *3 Only models with front and rear window regulators



- ws = white
- sw = black
- ro = red
- rt = red
- br = brown
- gn = green
- bl = blue
- gr = grey
- li = purple
- vi = purple
- ge = yellow
- or = orange
- rs = pink

3465

1NH0-108090516

Entry and start authorisation , (L0L)

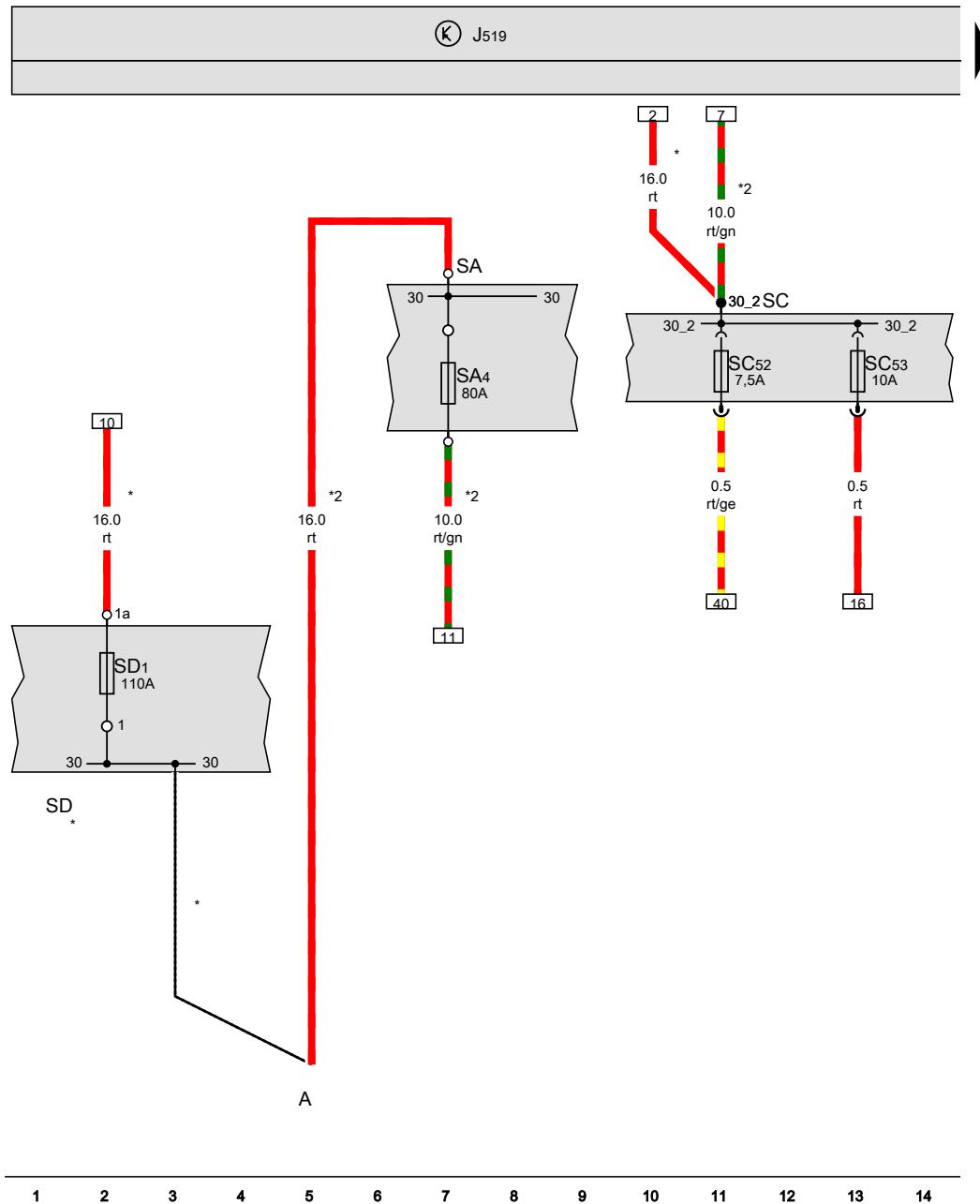
From November 2015

Volkswagen Technical Site: <http://vwts.ru> <http://vwts.info>

огромный архив документации по автомобилям Volkswagen, Skoda, Seat, Audi

Battery, Fuse holder A, Fuse holder C, Fuse holder D

- A Battery
- J519 Onboard supply control unit
- SA Fuse holder A
- SD1 Fuse 1 on fuse holder D
- SA4 Fuse 4 in fuse holder A
- SC Fuse holder C
- SC52 Fuse 52 on fuse holder C
- SC53 Fuse 53 on fuse holder C
- SD Fuse holder D
- * Only models with battery in luggage compartment
- *2 Only models with battery in engine compartment



- ws = white
- sw = black
- ro = red
- rt = red
- br = brown
- gn = green
- bl = blue
- gr = grey
- li = purple
- vi = purple
- ge = yellow
- or = orange
- rs = pink

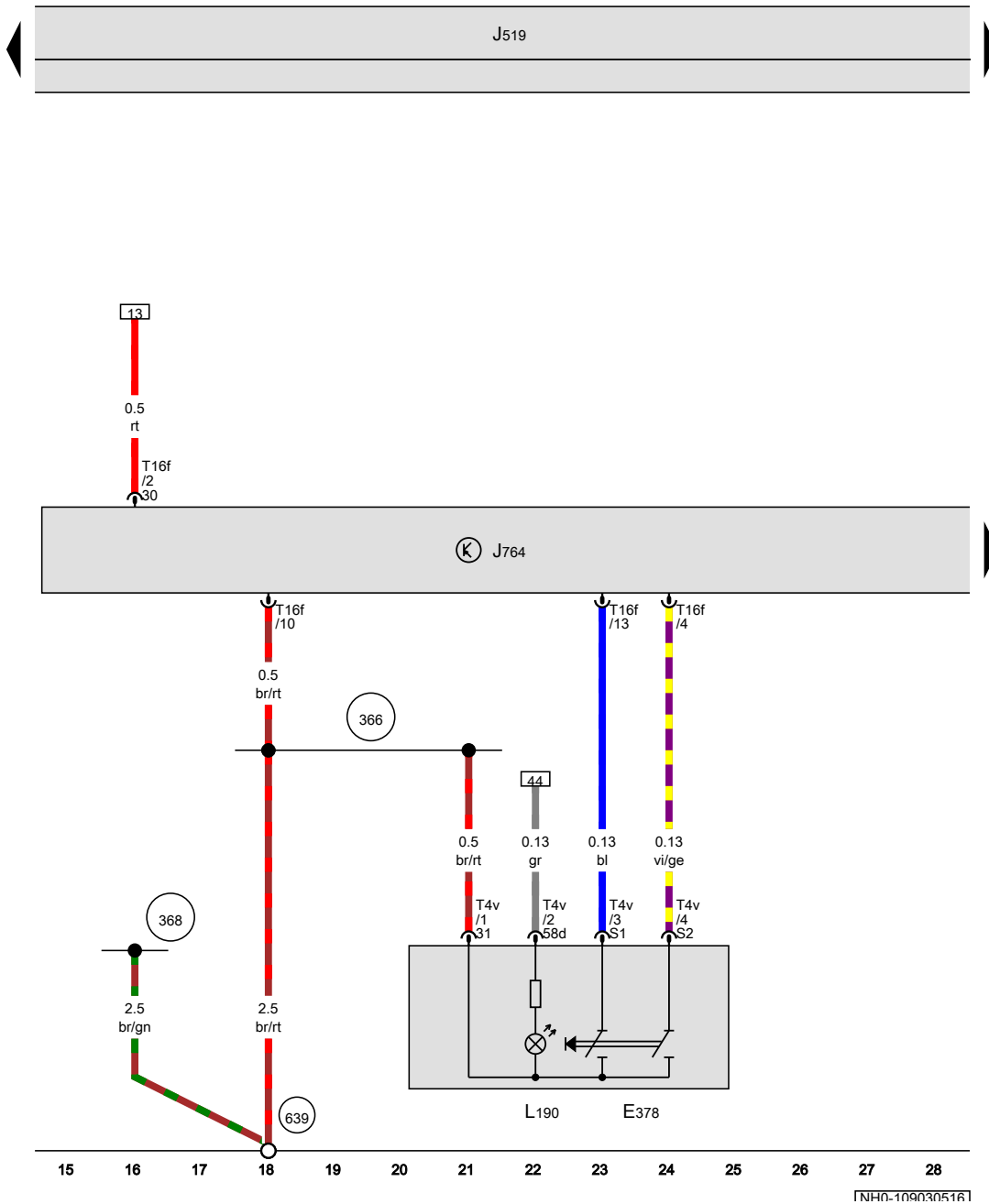
1 2 3 4 5 6 7 8 9 10 11 12 13 14

[NH0-109020516]

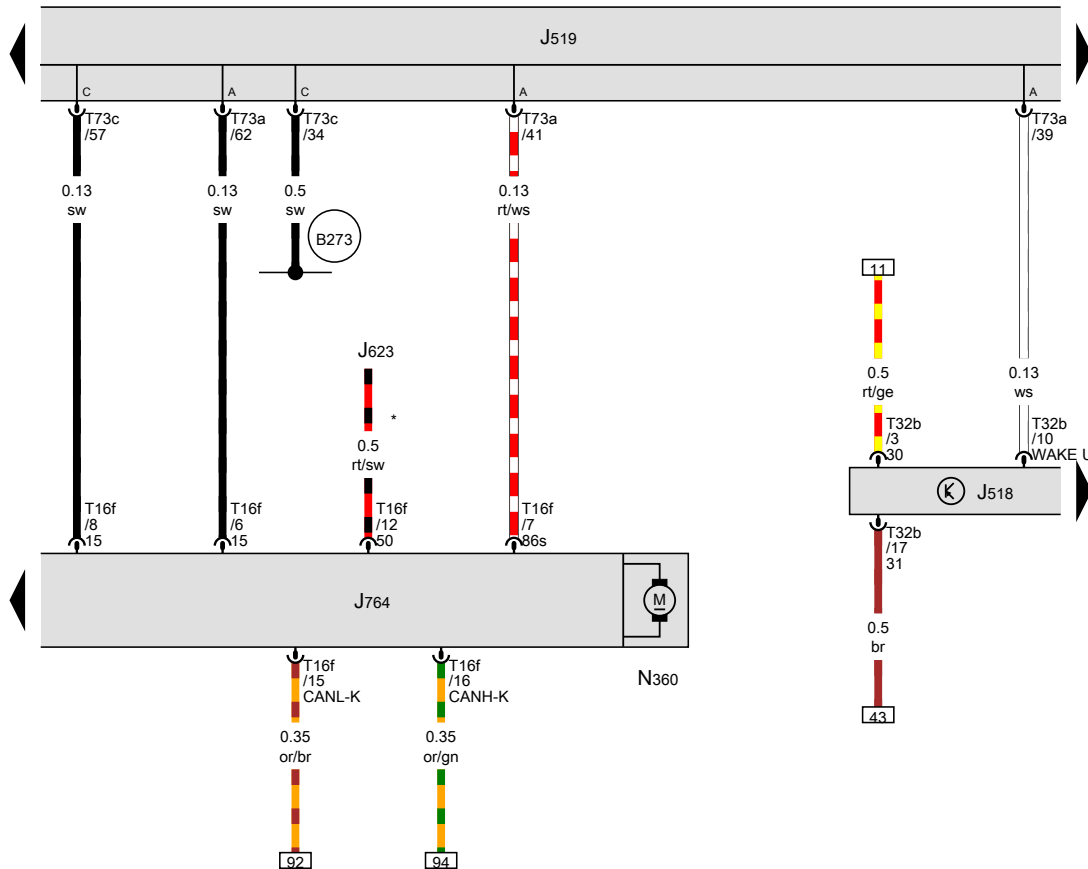
Starter button, Control unit for electronic steering column lock

- E378 Starter button
- J519 Onboard supply control unit
- J764 Control unit for electronic steering column lock
- L190 Ignition and starter button illumination bulb
- T4v 4-pin connector
- T16f 16-pin connector

- 366 Earth connection 1, in main wiring harness
- 368 Earth connection 3, in main wiring harness
- 639 Earth point, left A-pillar



- ws = white
- sw = black
- ro = red
- rt = red
- br = brown
- gn = green
- bl = blue
- gr = grey
- li = purple
- vi = purple
- ge = yellow
- or = orange
- rs = pink



Entry and start authorisation control unit, Control unit for electronic steering column lock, Steering column lock control element

- J518 Entry and start authorisation control unit
- J519 Onboard supply control unit
- J623 Engine control unit
- J764 Control unit for electronic steering column lock
- N360 Steering column lock control element
- T16f 16-pin connector
- T32b 32-pin connector
- T73a 73-pin connector, black
- T73c 73-pin connector, black

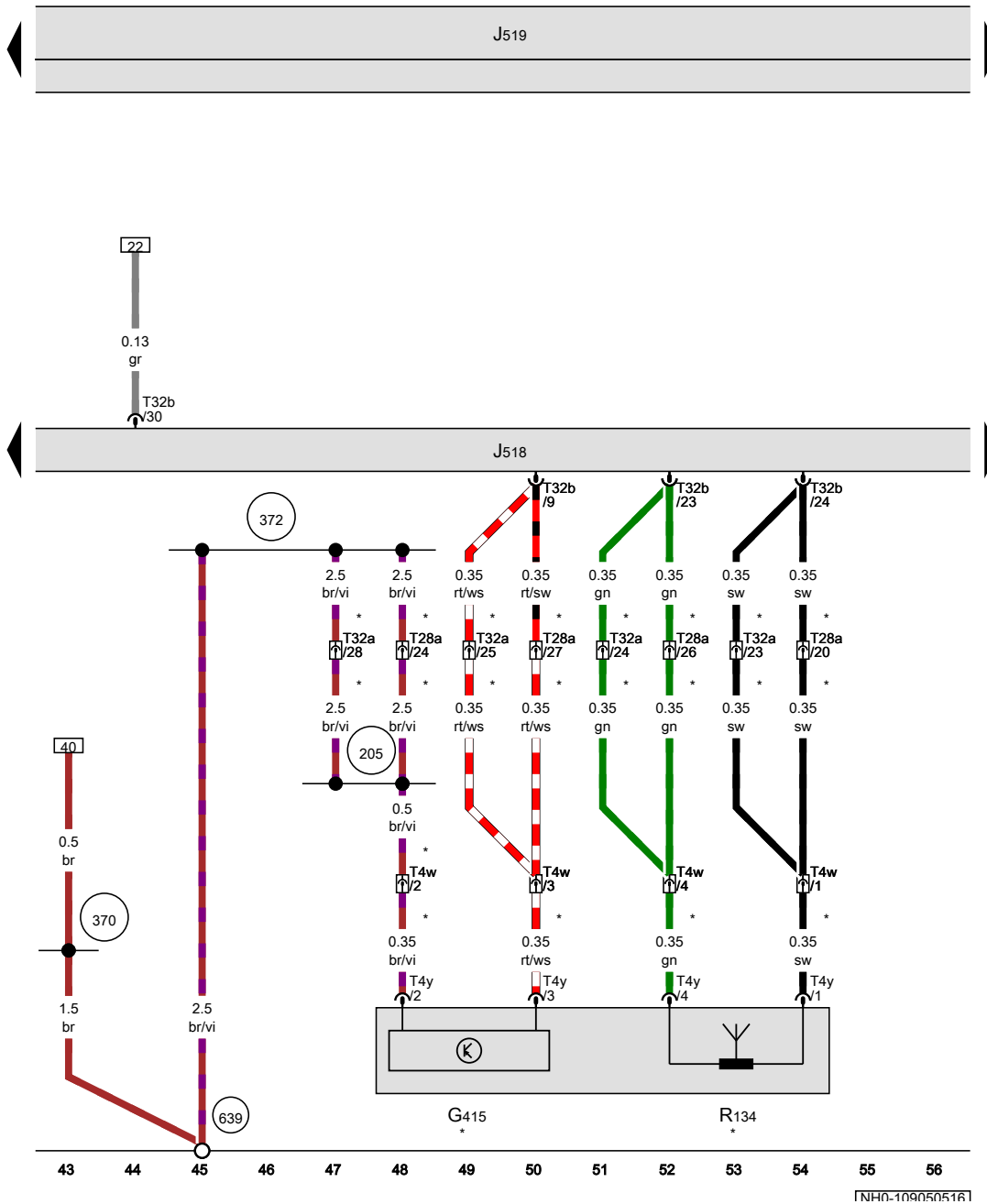
B273 Positive connection (15), in main wiring harness
 * see applicable current flow diagram for engine

- ws = white
- sw = black
- ro = red
- rt = red
- br = brown
- gn = green
- bl = blue
- gr = grey
- li = purple
- vi = purple
- ge = yellow
- or = orange
- rs = pink

Driver door exterior handle contact sensor, Entry and start authorisation control unit, Driver side aerial for entry and start system

- G415 Driver door exterior handle contact sensor
- J518 Entry and start authorisation control unit
- J519 Onboard supply control unit
- R134 Driver side aerial for entry and start system
- T4w 4-pin connector, in driver door
- T4y 4-pin connector
- T28a 28-pin connector, on left A-pillar
- T32a 32-pin connector, on left A-pillar
- T32b 32-pin connector

- 205 Earth connection, in driver door wiring harness
- 370 Earth connection 5, in main wiring harness
- 372 Earth connection 7, in main wiring harness
- 639 Earth point, left A-pillar
- * According to equipment



- ws = white
- sw = black
- ro = red
- rt = red
- br = brown
- gn = green
- bl = blue
- gr = grey
- li = purple
- vi = purple
- ge = yellow
- or = orange
- rs = pink

1NH0-1090505161

Front passenger door exterior handle contact sensor, Entry and start authorisation control unit, Passenger side aerial for entry and start system

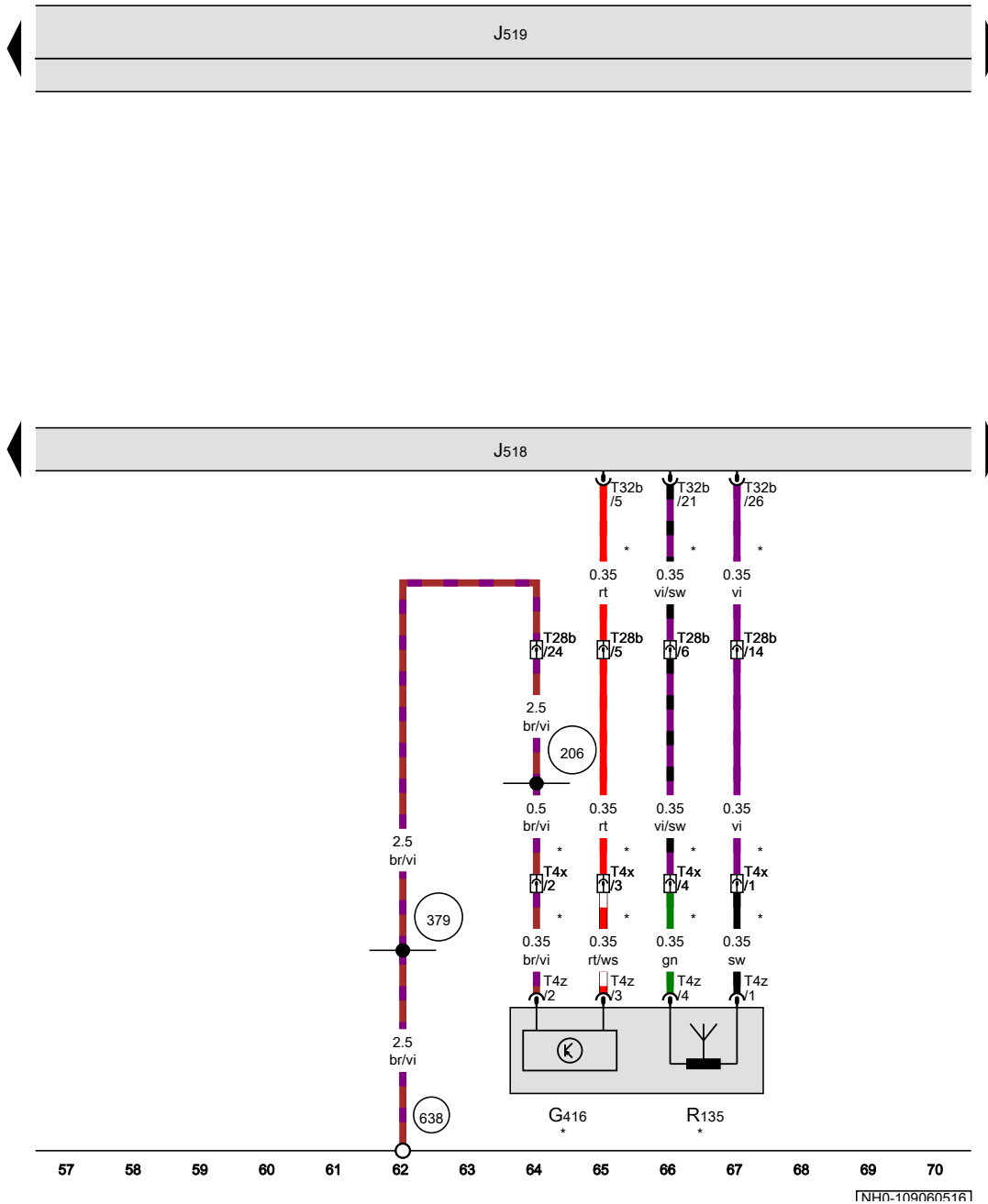
- G416 Front passenger door exterior handle contact sensor
- J518 Entry and start authorisation control unit
- J519 Onboard supply control unit
- R135 Passenger side aerial for entry and start system
- T4x 4-pin connector, in front passenger door
- T4z 4-pin connector
- T28b 28-pin connector, on right A-pillar
- T32b 32-pin connector

206 Earth connection, in front passenger door wiring harness

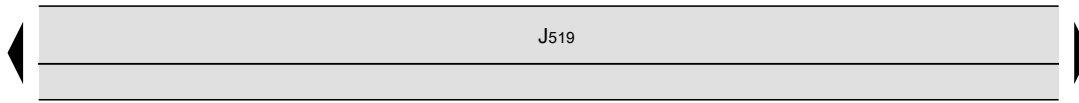
379 Earth connection 14, in main wiring harness

638 Earth point, on right A-pillar

* According to equipment

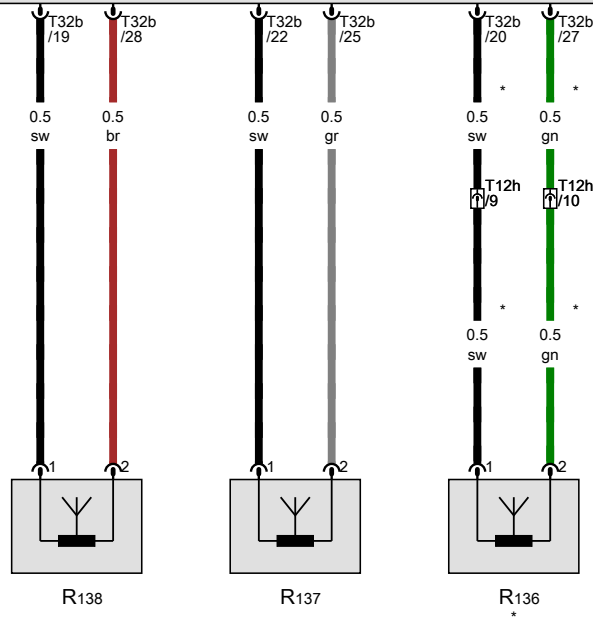
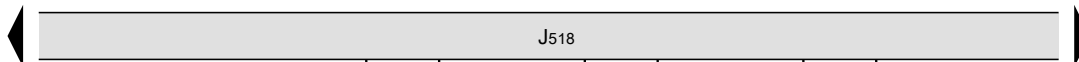


1NH0-109060516



Entry and start authorisation control unit, Rear bumper aerial for entry and start system, Luggage compartment aerial for entry and start system, Interior aerial 1 for entry and start system

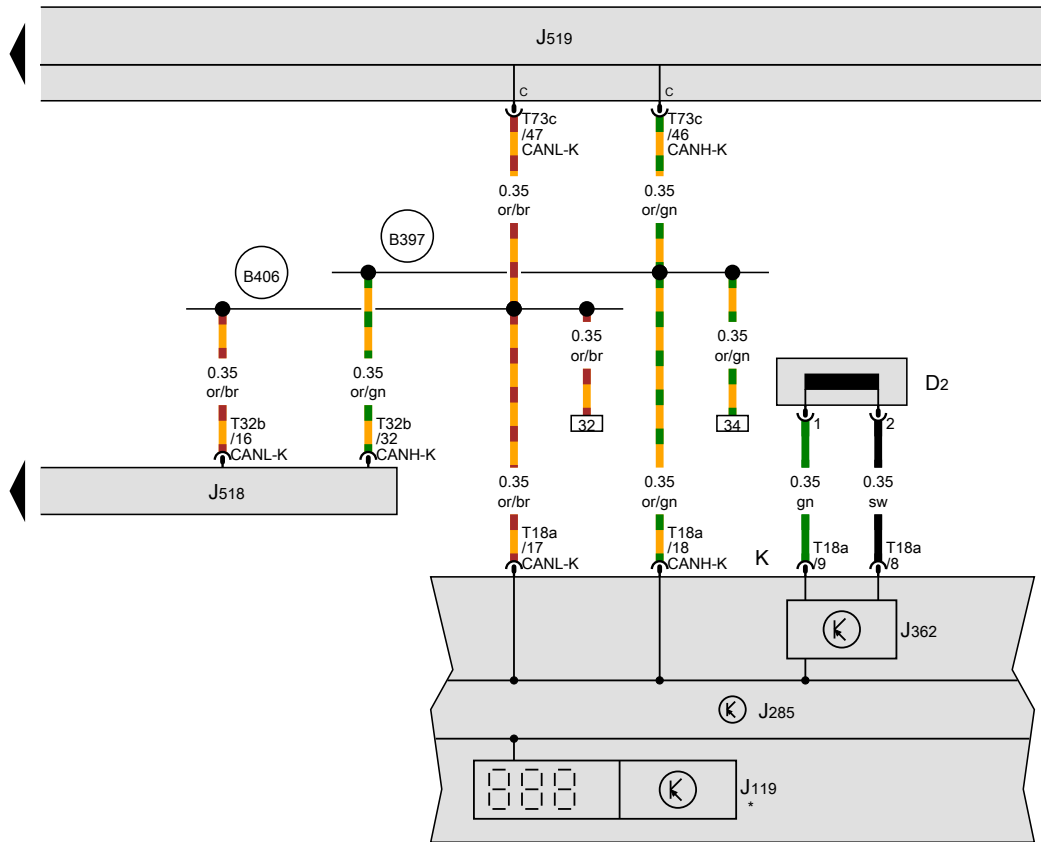
- J518 Entry and start authorisation control unit
- J519 Onboard supply control unit
- R136 Rear bumper aerial for entry and start system
- R137 Luggage compartment aerial for entry and start system
- R138 Interior aerial 1 for entry and start system
- T12h 12-pin connector, in luggage compartment, rear left
- T32b 32-pin connector
- * According to equipment



- ws = white
- sw = black
- ro = red
- rt = red
- br = brown
- gn = green
- bl = blue
- gr = grey
- li = purple
- vi = purple
- ge = yellow
- or = orange
- rs = pink

71 72 73 74 75 76 77 78 79 80 81 82 83 84

[NH0-109070516]



Immobiliser reader coil, Multifunction indicator, Immobiliser control unit, Entry and start authorisation control unit, Dash panel insert

- D2 Immobiliser reader coil
- J119 Multifunction indicator
- J285 Control unit in dash panel insert
- J362 Immobiliser control unit
- J518 Entry and start authorisation control unit
- J519 Onboard supply control unit
- K Dash panel insert
- T18a 18-pin connector
- T32b 32-pin connector
- T73c 73-pin connector, black
- B397 Connection 1 (convenience CAN bus, high), in main wiring harness
- B406 Connection 1 (convenience CAN bus, low), in main wiring harness
- * Only models with multifunction display

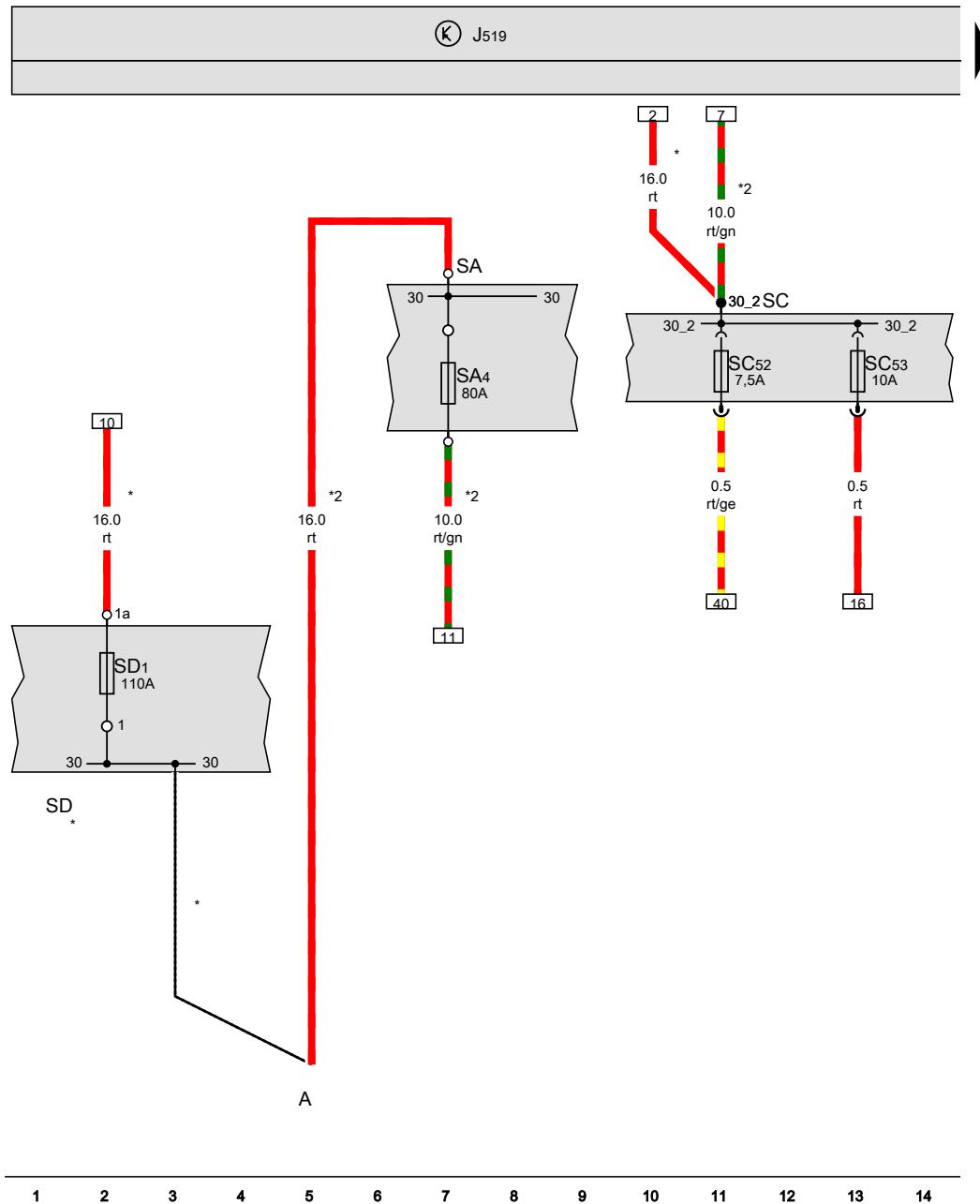
- ws = white
- sw = black
- ro = red
- rt = red
- br = brown
- gn = green
- bl = blue
- gr = grey
- li = purple
- vi = purple
- ge = yellow
- or = orange
- rs = pink

Entry and start authorisation , (L0R)

From November 2015

Battery, Fuse holder A, Fuse holder C, Fuse holder D

- A Battery
- J519 Onboard supply control unit
- SA Fuse holder A
- SD1 Fuse 1 on fuse holder D
- SA4 Fuse 4 in fuse holder A
- SC Fuse holder C
- SC52 Fuse 52 on fuse holder C
- SC53 Fuse 53 on fuse holder C
- SD Fuse holder D
- * Only models with battery in luggage compartment
- *2 Only models with battery in engine compartment

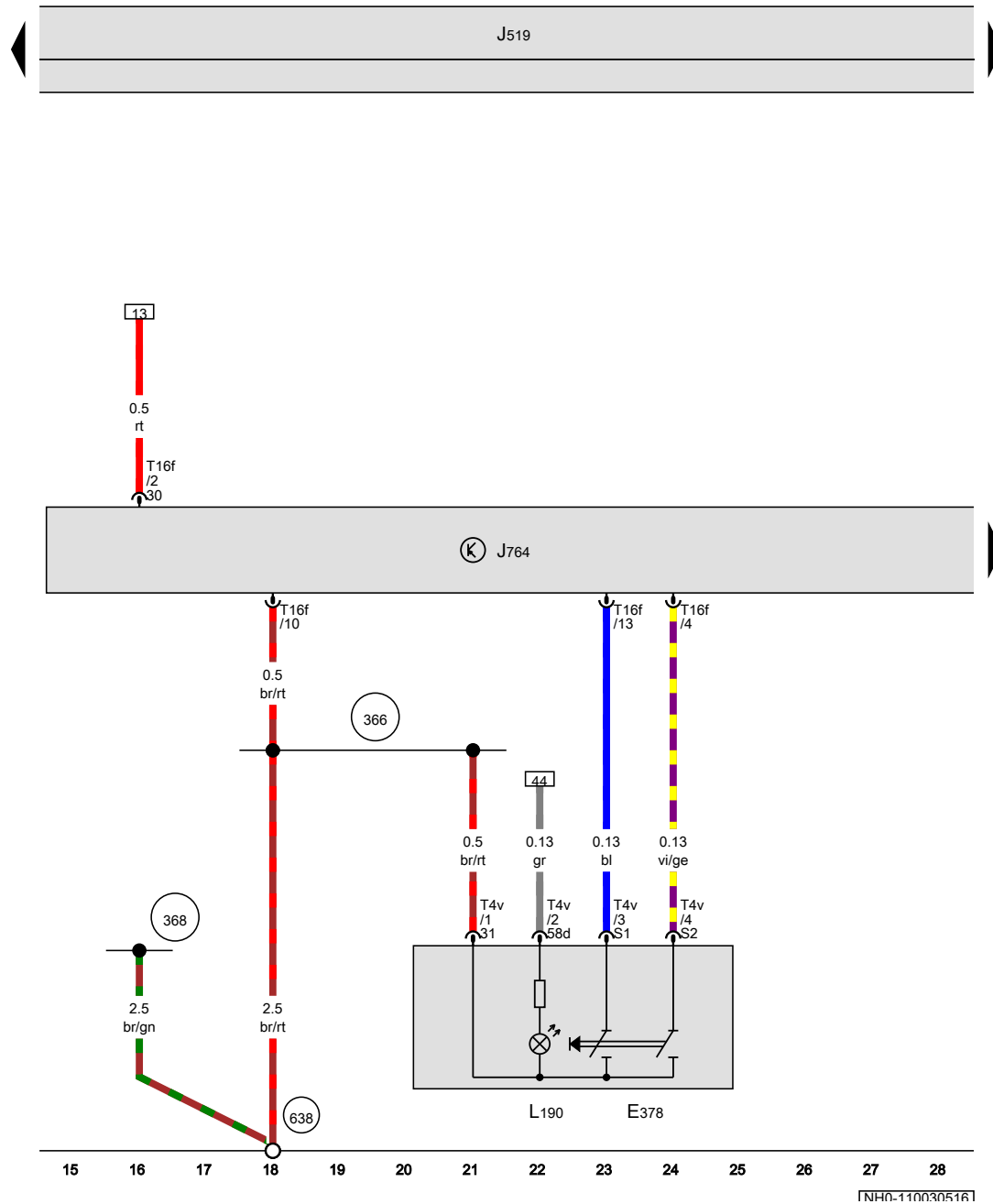


[NH0-110020516]

Starter button, Control unit for electronic steering column lock

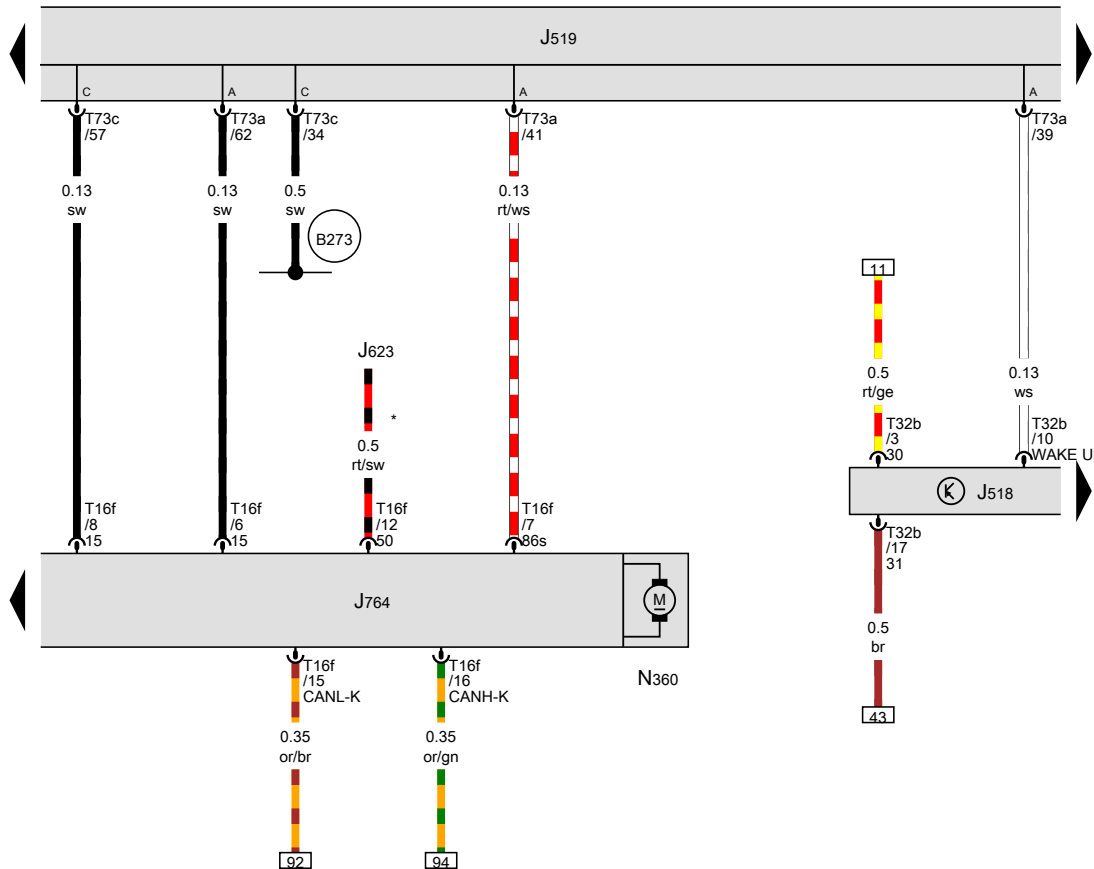
- E378 Starter button
- J519 Onboard supply control unit
- J764 Control unit for electronic steering column lock
- L190 Ignition and starter button illumination bulb
- T4v 4-pin connector
- T16f 16-pin connector

- 366 Earth connection 1, in main wiring harness
- 368 Earth connection 3, in main wiring harness
- 638 Earth point, on right A-pillar



- ws = white
- sw = black
- ro = red
- rt = red
- br = brown
- gn = green
- bl = blue
- gr = grey
- li = purple
- vi = purple
- ge = yellow
- or = orange
- rs = pink

[NH0-110030516]



Entry and start authorisation control unit, Control unit for electronic steering column lock, Steering column lock control element

- J518 Entry and start authorisation control unit
- J519 Onboard supply control unit
- J623 Engine control unit
- J764 Control unit for electronic steering column lock
- N360 Steering column lock control element
- T16f 16-pin connector
- T32b 32-pin connector
- T73a 73-pin connector, black
- T73c 73-pin connector, black
- B273** Positive connection (15), in main wiring harness
- * see applicable current flow diagram for engine

- ws = white
- sw = black
- ro = red
- rt = red
- br = brown
- gn = green
- bl = blue
- gr = grey
- li = purple
- vi = purple
- ge = yellow
- or = orange
- rs = pink

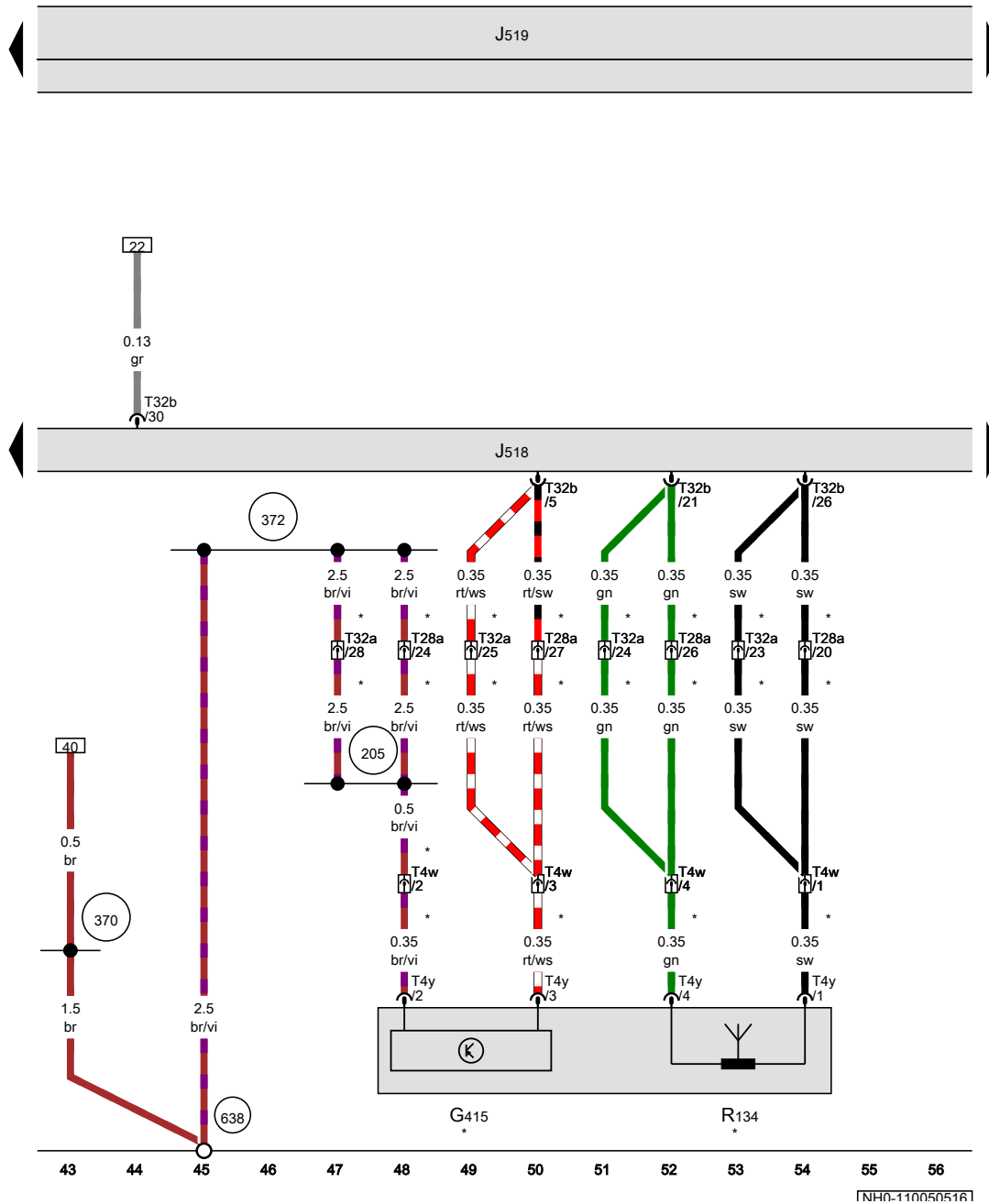
29 30 31 32 33 34 35 36 37 38 39 40 41 42

[NH0-110040516]

Driver door exterior handle contact sensor, Entry and start authorisation control unit, Driver side aerial for entry and start system

- G415 Driver door exterior handle contact sensor
- J518 Entry and start authorisation control unit
- J519 Onboard supply control unit
- R134 Driver side aerial for entry and start system
- T4w 4-pin connector, in driver door
- T4y 4-pin connector
- T28a 28-pin connector, on right A-pillar
- T32a 32-pin connector, on right A-pillar
- T32b 32-pin connector

- 205 Earth connection, in driver door wiring harness
- 370 Earth connection 5, in main wiring harness
- 372 Earth connection 7, in main wiring harness
- 638 Earth point, on right A-pillar
- * According to equipment



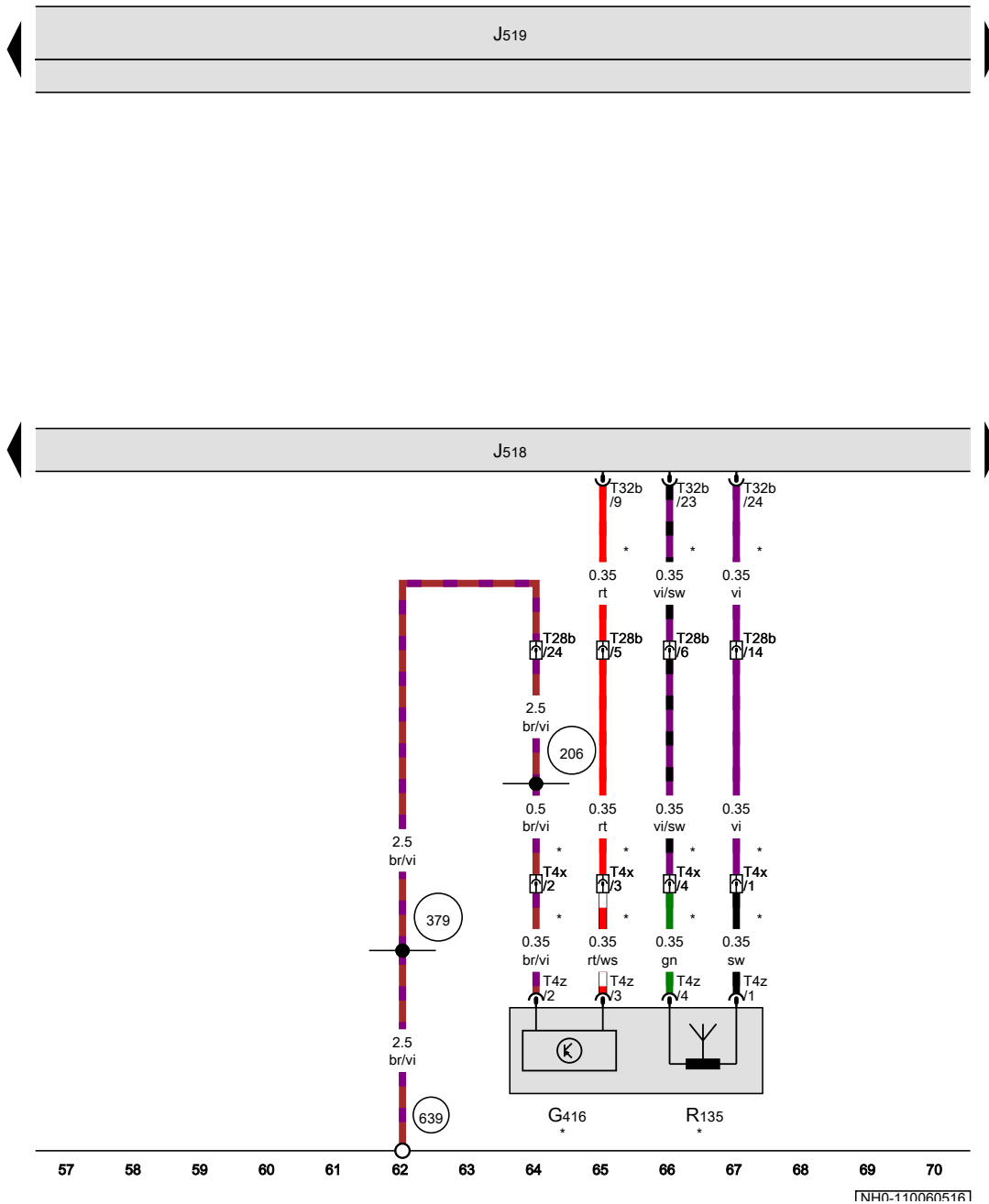
- ws = white
- sw = black
- ro = red
- rt = red
- br = brown
- gn = green
- bl = blue
- gr = grey
- li = purple
- vi = purple
- ge = yellow
- or = orange
- rs = pink

[NH0-110050516]

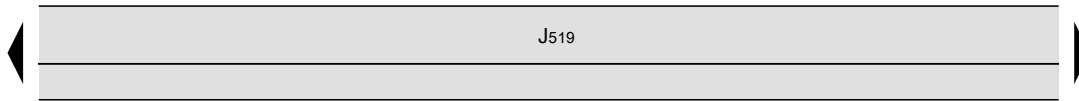
Front passenger door exterior handle contact sensor, Entry and start authorisation control unit, Passenger side aerial for entry and start system

- G416 Front passenger door exterior handle contact sensor
- J518 Entry and start authorisation control unit
- J519 Onboard supply control unit
- R135 Passenger side aerial for entry and start system
- T4x 4-pin connector, in front passenger door
- T4z 4-pin connector
- T28b 28-pin connector, on left A-pillar
- T32b 32-pin connector

- 206 Earth connection, in front passenger door wiring harness
- 379 Earth connection 14, in main wiring harness
- 639 Earth point, left A-pillar
- * According to equipment

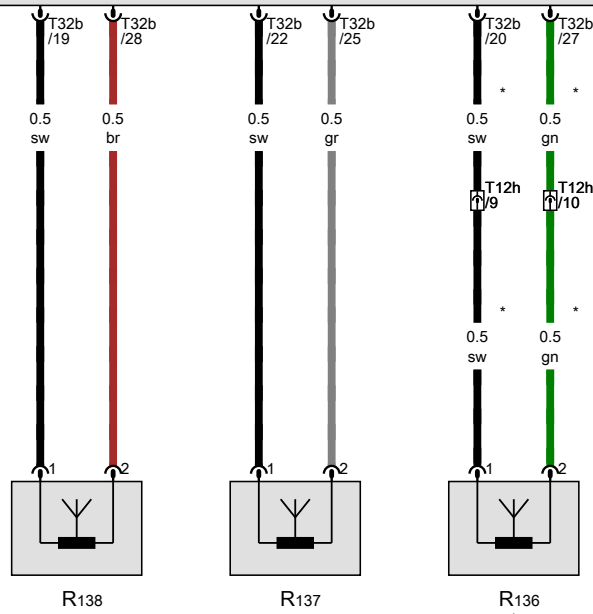
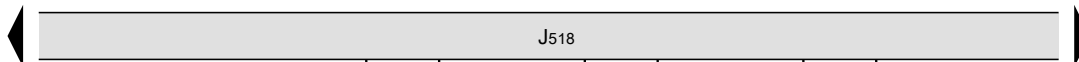


[NH0-110060516]



Entry and start authorisation control unit, Rear bumper aerial for entry and start system, Luggage compartment aerial for entry and start system, Interior aerial 1 for entry and start system

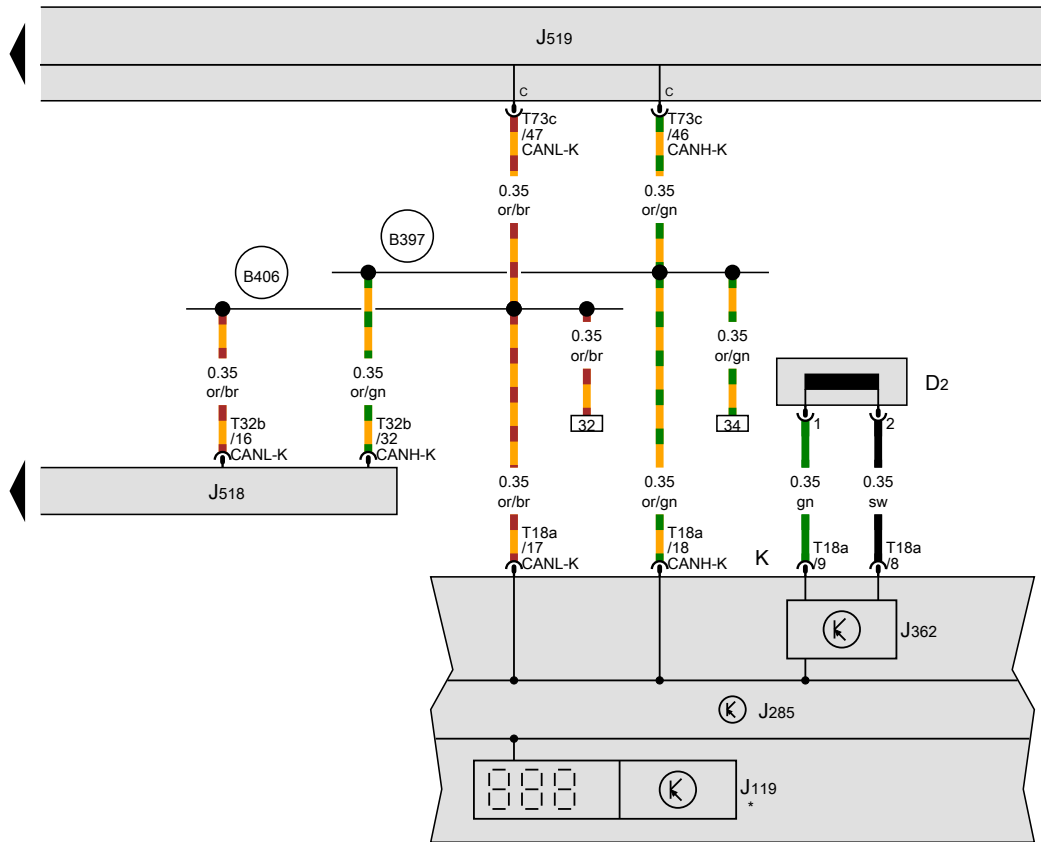
- J518 Entry and start authorisation control unit
- J519 Onboard supply control unit
- R136 Rear bumper aerial for entry and start system
- R137 Luggage compartment aerial for entry and start system
- R138 Interior aerial 1 for entry and start system
- T12h 12-pin connector, in luggage compartment, rear left
- T32b 32-pin connector
- * According to equipment



- ws = white
- sw = black
- ro = red
- rt = red
- br = brown
- gn = green
- bl = blue
- gr = grey
- li = purple
- vi = purple
- ge = yellow
- or = orange
- rs = pink

71 72 73 74 75 76 77 78 79 80 81 82 83 84

[NH0-110070516]



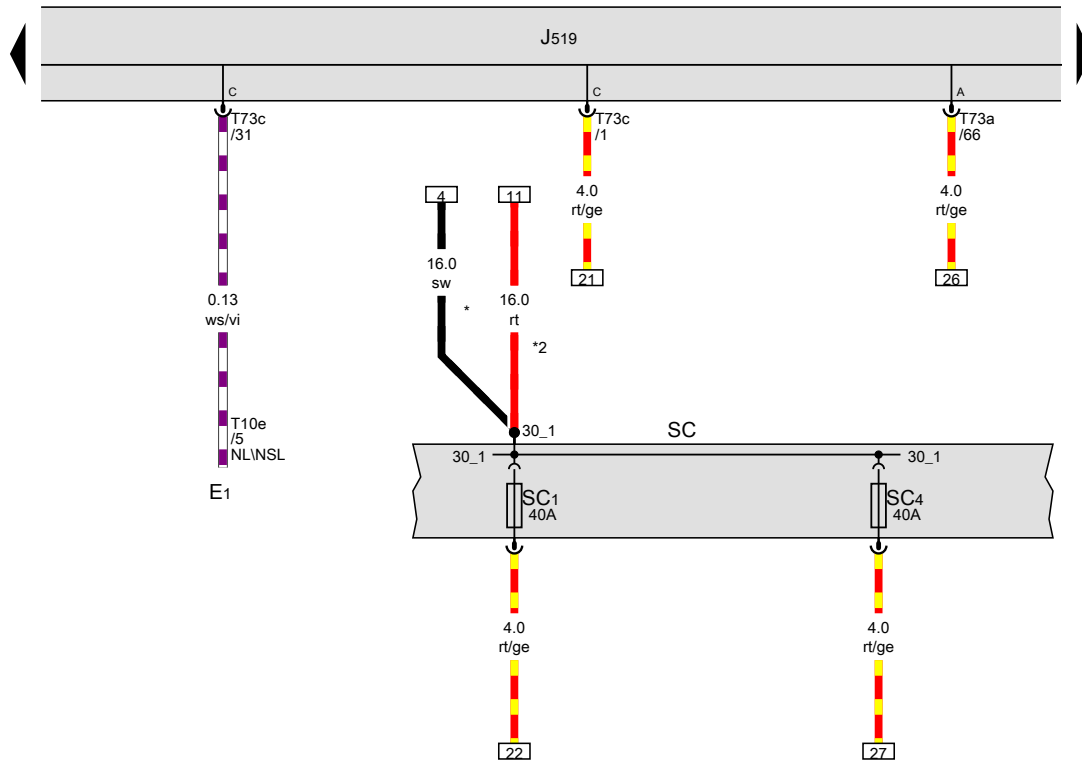
Immobiliser reader coil, Multifunction indicator, Immobiliser control unit, Entry and start authorisation control unit, Dash panel insert

- D2 Immobiliser reader coil
- J119 Multifunction indicator
- J285 Control unit in dash panel insert
- J362 Immobiliser control unit
- J518 Entry and start authorisation control unit
- J519 Onboard supply control unit
- K Dash panel insert
- T18a 18-pin connector
- T32b 32-pin connector
- T73c 73-pin connector, black
- B397 Connection 1 (convenience CAN bus, high), in main wiring harness
- B406 Connection 1 (convenience CAN bus, low), in main wiring harness
- * Only models with multifunction display

- ws = white
- sw = black
- ro = red
- rt = red
- br = brown
- gn = green
- bl = blue
- gr = grey
- li = purple
- vi = purple
- ge = yellow
- or = orange
- rs = pink

Fog light

From November 2015



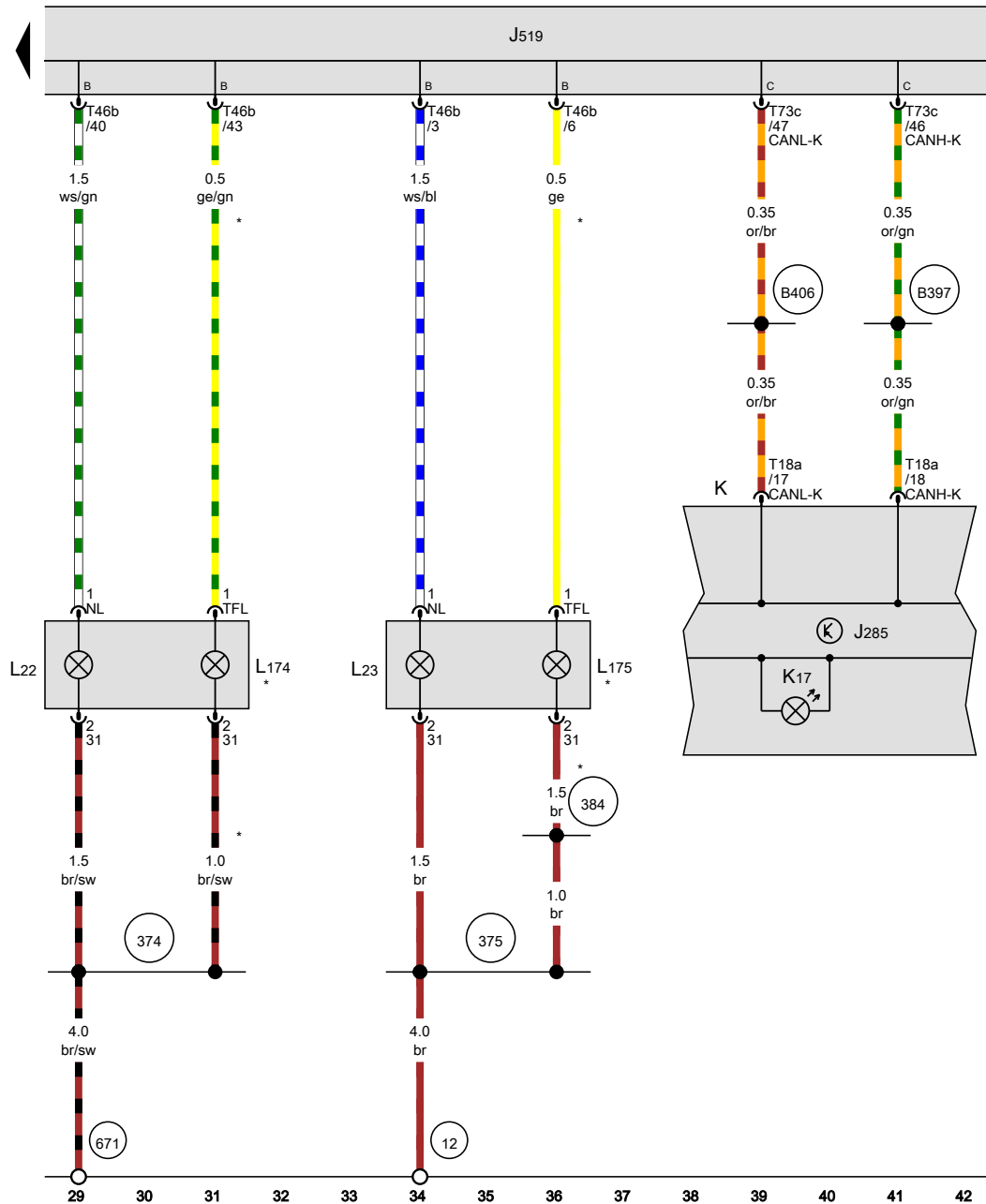
Fuse holder C

- E1 Light switch
- J519 Onboard supply control unit
- SC Fuse holder C
- SC1 Fuse 1 on fuse holder C
- SC4 Fuse 4 on fuse holder C
- T10e 10-pin connector
- T73a 73-pin connector, black
- T73c 73-pin connector, black
- * Only models with battery in luggage compartment
- *2 Only models with battery in engine compartment

- ws = white
- sw = black
- ro = red
- rt = red
- br = brown
- gn = green
- bl = blue
- gr = grey
- li = purple
- vi = purple
- ge = yellow
- or = orange
- rs = pink

15 16 17 18 19 20 21 22 23 24 25 26 27 28

[NH0-111030216]



Dash panel insert, Left fog light bulb, Right fog light bulb, Left daytime running light bulb, Right daytime running light bulb

- J285 Control unit in dash panel insert
- J519 Onboard supply control unit
- K Dash panel insert
- K17 Fog light warning lamp
- L22 Left fog light bulb
- L23 Right fog light bulb
- L174 Left daytime running light bulb
- L175 Right daytime running light bulb
- T18a 18-pin connector
- T46b 46-pin connector, brown
- T73c 73-pin connector, black

- 12 Earth point, on left in engine compartment
- 374 Earth connection 9, in main wiring harness
- 375 Earth connection 10, in main wiring harness
- 384 Earth connection 19, in main wiring harness
- 671 Earth point 1, on front of left longitudinal member
- B397 Connection 1 (convenience CAN bus, high), in main wiring harness
- B406 Connection 1 (convenience CAN bus, low), in main wiring harness
- * Only models with daytime running lights

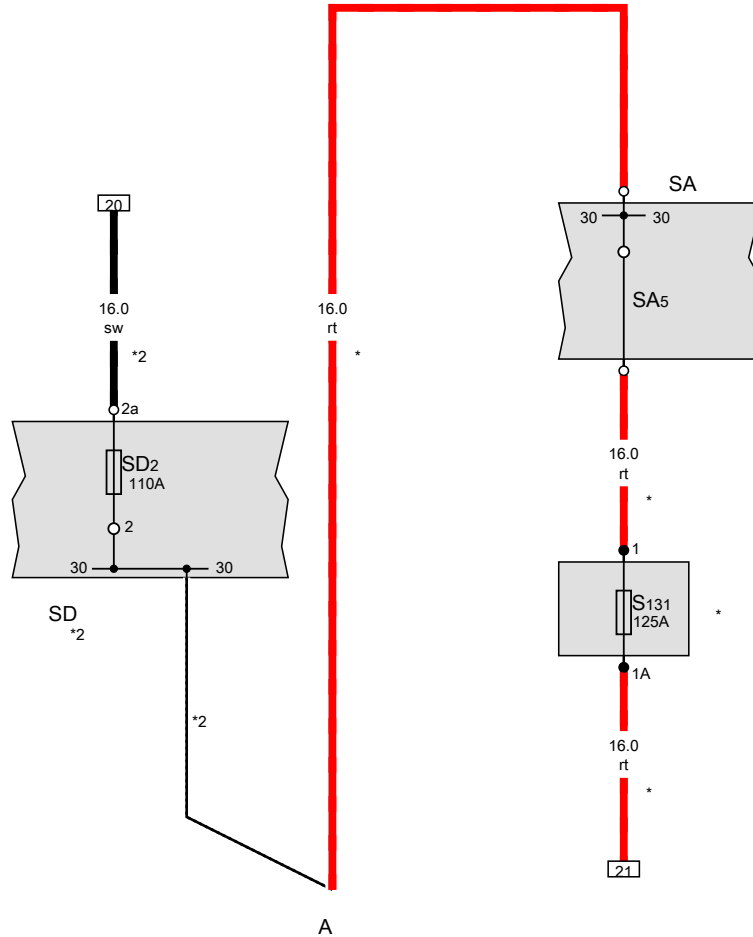
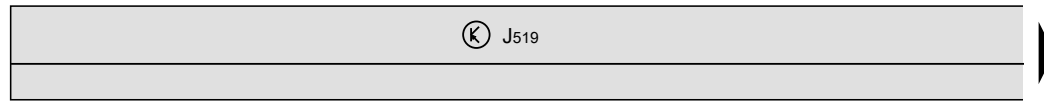
- ws = white
- sw = black
- ro = red
- rt = red
- br = brown
- gn = green
- bl = blue
- gr = grey
- li = purple
- vi = purple
- ge = yellow
- or = orange
- rs = pink

Fog lights with static cornering light

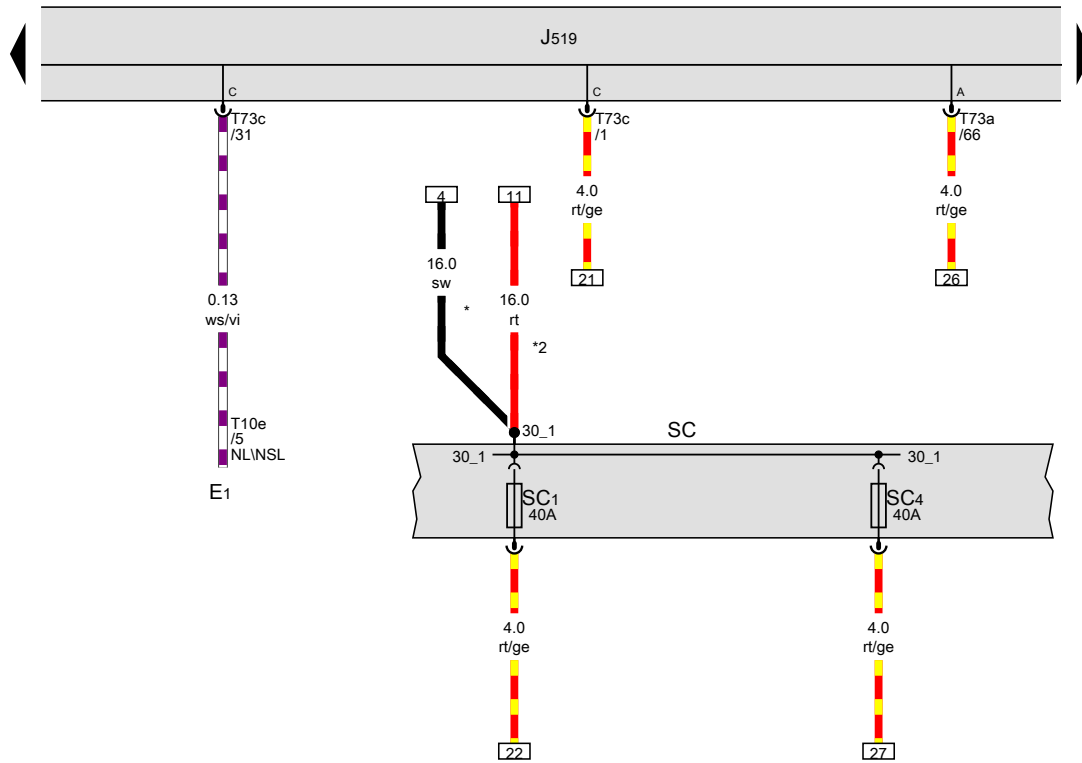
From November 2015

Battery, Fuse holder A, Fuse holder D

- A Battery
- J519 Onboard supply control unit
- SD2 Fuse 2 on fuse holder D
- SA5 Fuse 5 in fuse holder A
- S131 Fuse 1, in main wiring harness
- SA Fuse holder A
- SD Fuse holder D
- * Only models with battery in engine compartment
- *2 Only models with battery in luggage compartment



- ws = white
- sw = black
- ro = red
- rt = red
- br = brown
- gn = green
- bl = blue
- gr = grey
- li = purple
- vi = purple
- ge = yellow
- or = orange
- rs = pink



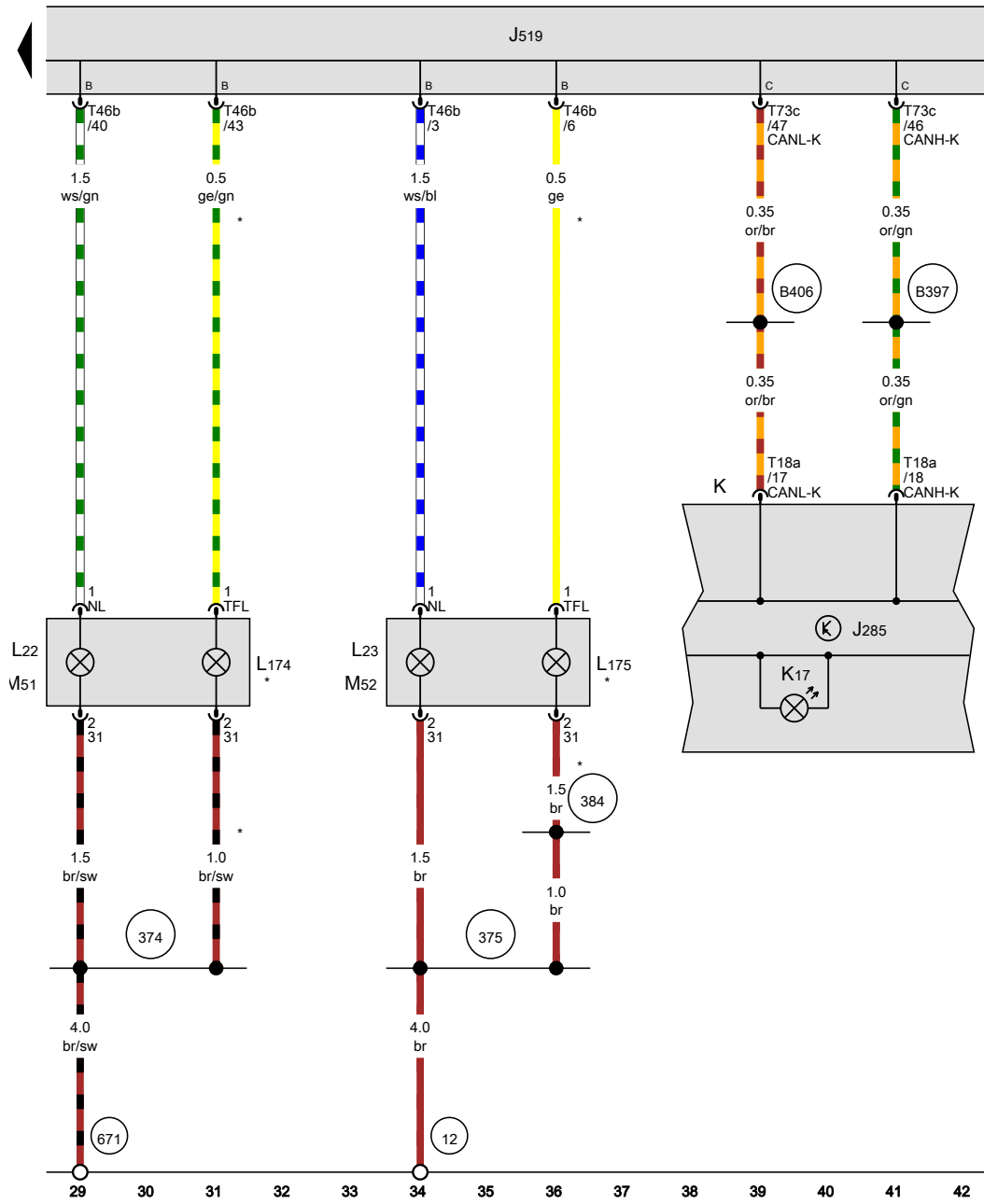
Fuse holder C

- E1 Light switch
- J519 Onboard supply control unit
- SC Fuse holder C
- SC1 Fuse 1 on fuse holder C
- SC4 Fuse 4 on fuse holder C
- T10e 10-pin connector
- T73a 73-pin connector, black
- T73c 73-pin connector, black
- * Only models with battery in luggage compartment
- *2 Only models with battery in engine compartment

- ws = white
- sw = black
- ro = red
- rt = red
- br = brown
- gn = green
- bl = blue
- gr = grey
- li = purple
- vi = purple
- ge = yellow
- or = orange
- rs = pink

15 16 17 18 19 20 21 22 23 24 25 26 27 28

[NH0-112030216]



Dash panel insert, Left fog light bulb, Right fog light bulb, Left daytime running light bulb, Right daytime running light bulb, Left static cornering light, Right static cornering light

- J285 Control unit in dash panel insert
- J519 Onboard supply control unit
- K Dash panel insert
- K17 Fog light warning lamp
- L22 Left fog light bulb
- L23 Right fog light bulb
- L174 Left daytime running light bulb
- L175 Right daytime running light bulb
- M51 Left static cornering light
- M52 Right static cornering light
- T18a 18-pin connector
- T46b 46-pin connector, brown
- T73c 73-pin connector, black
- 12 Earth point, on left in engine compartment
- 374 Earth connection 9, in main wiring harness
- 375 Earth connection 10, in main wiring harness
- 384 Earth connection 19, in main wiring harness
- 671 Earth point 1, on front of left longitudinal member
- B397 Connection 1 (convenience CAN bus, high), in main wiring harness
- B406 Connection 1 (convenience CAN bus, low), in main wiring harness
- * Only models with daytime running lights

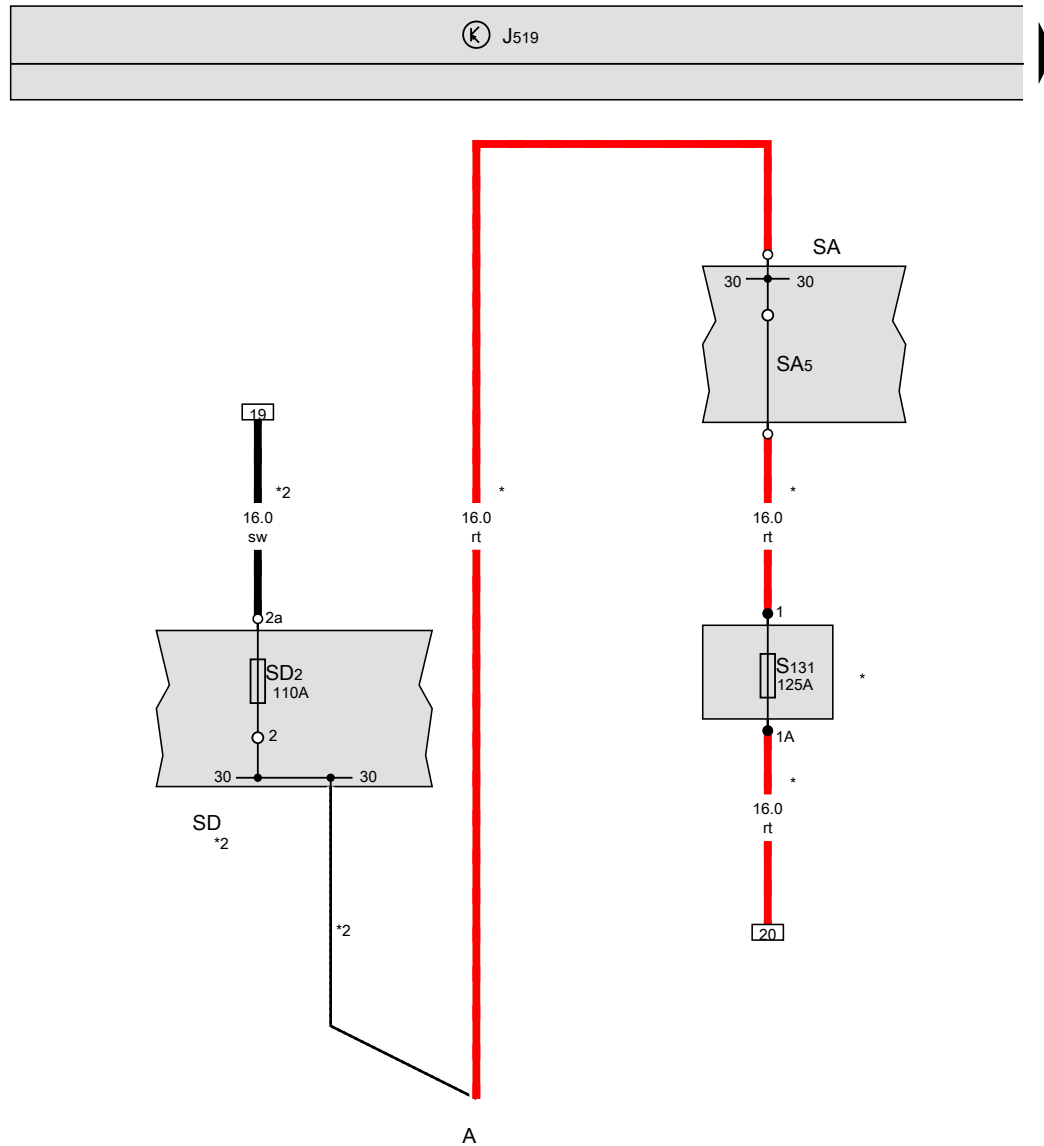
- ws = white
- sw = black
- ro = red
- rt = red
- br = brown
- gn = green
- bl = blue
- gr = grey
- li = purple
- vi = purple
- ge = yellow
- or = orange
- rs = pink

Anti-theft alarm system

From November 2015

Battery, Fuse holder A, Fuse holder D

- A Battery
- J519 Onboard supply control unit
- SD2 Fuse 2 on fuse holder D
- SA5 Fuse 5 in fuse holder A
- S131 Fuse 1, in main wiring harness
- SA Fuse holder A
- SD Fuse holder D
- * Only models with battery in engine compartment
- *2 Only models with battery in luggage compartment



- ws = white
- sw = black
- ro = red
- rt = red
- br = brown
- gn = green
- bl = blue
- gr = grey
- li = purple
- vi = purple
- ge = yellow
- or = orange
- rs = pink

1 2 3 4 5 6 7 8 9 10 11 12 13 14

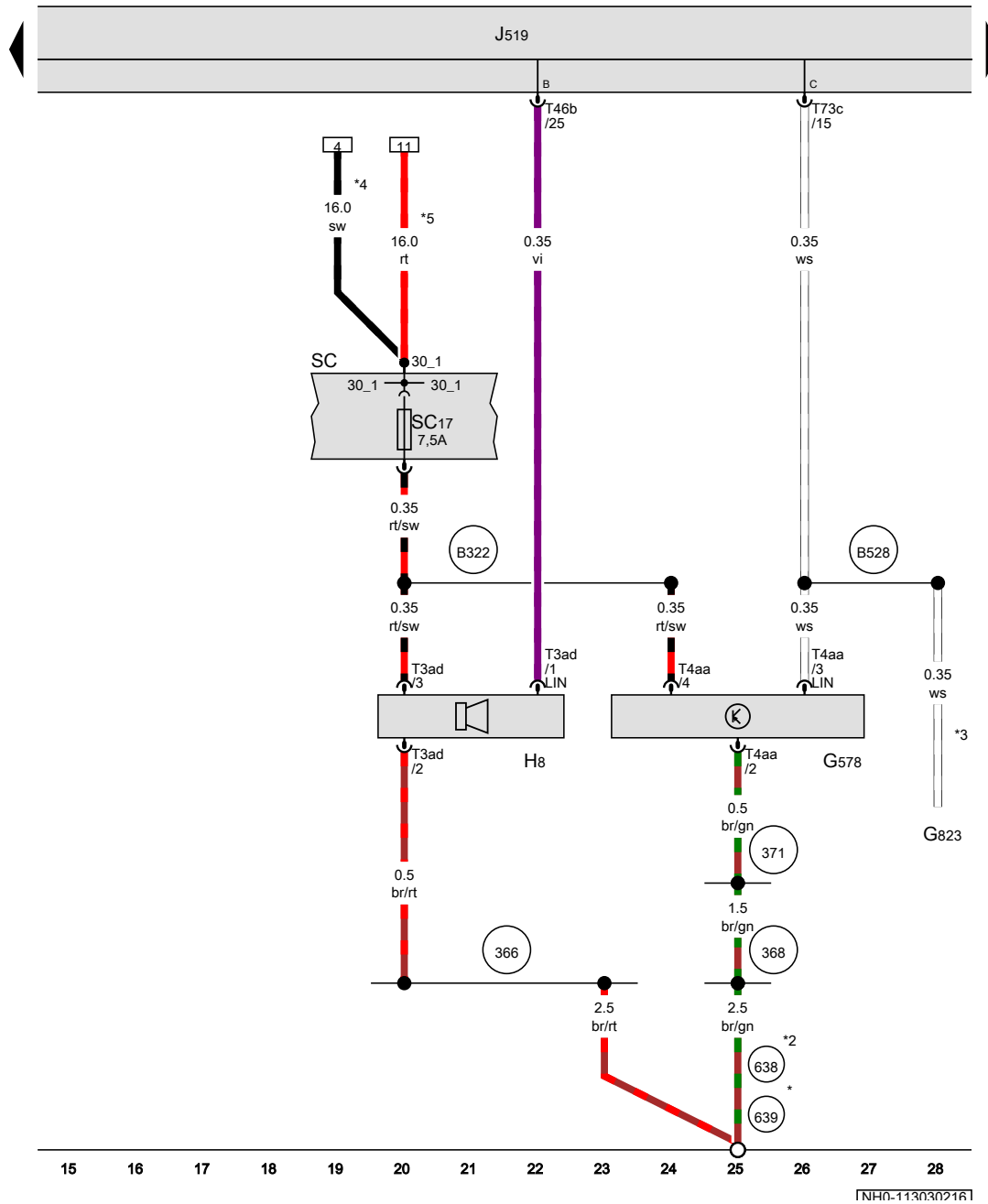
[NH0-113020216]

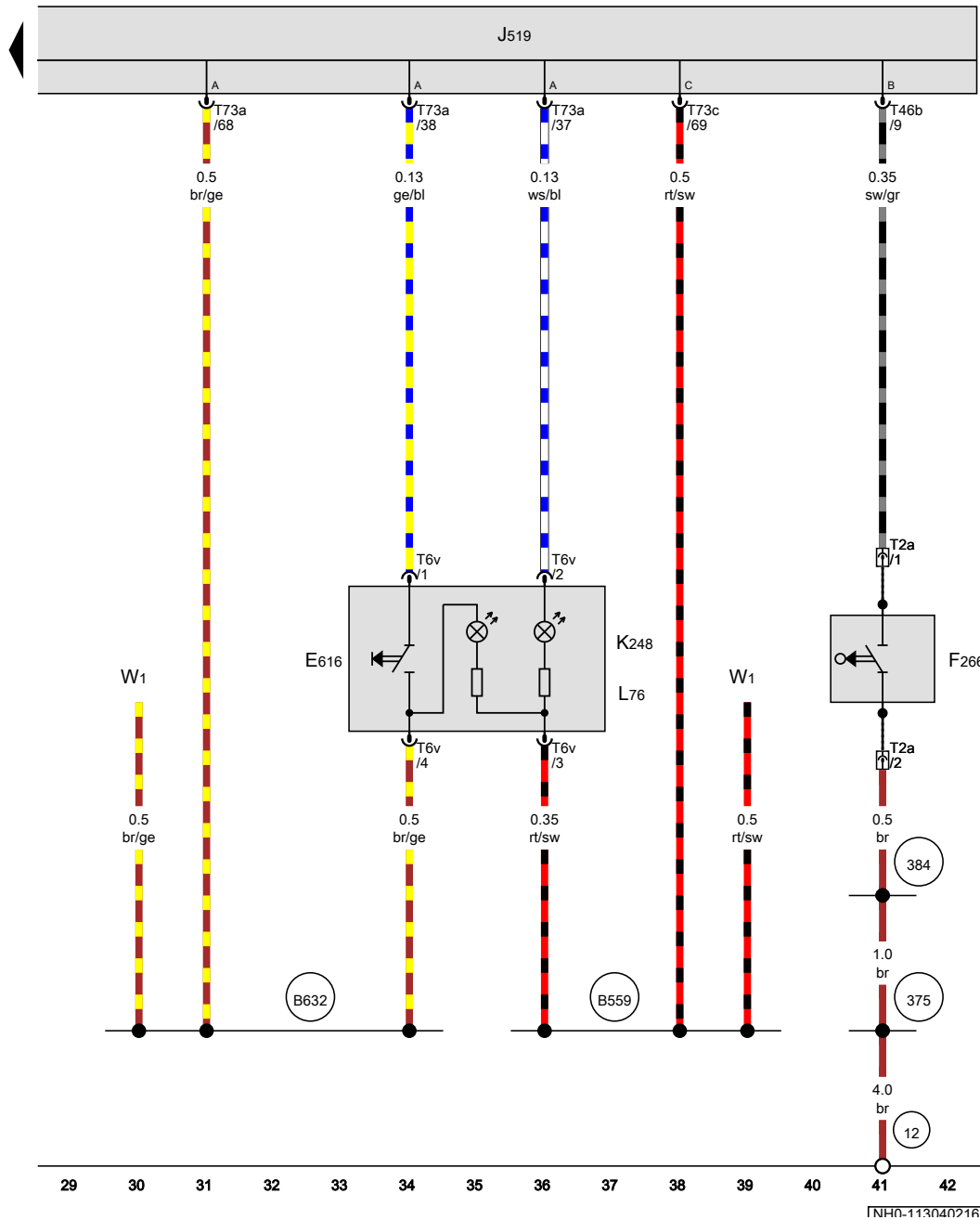
Anti-theft alarm sensor, Anti-theft alarm system horn, Fuse holder C

- G578 Anti-theft alarm sensor
- G823 Air humidity, rain and light sensor
- H8 Anti-theft alarm system horn
- J519 Onboard supply control unit
- SC Fuse holder C
- SC17 Fuse 17 on fuse holder C
- T3ad 3-pin connector
- T4aa 4-pin connector
- T46b 46-pin connector, brown
- T73c 73-pin connector, black

- (366) Earth connection 1, in main wiring harness
 - (368) Earth connection 3, in main wiring harness
 - (371) Earth connection 6, in main wiring harness
 - (638) Earth point, on right A-pillar
 - (639) Earth point, left A-pillar
 - (B322) Positive connection 8 (30a) in main wiring harness
 - (B528) Connection 1 (LIN bus) in main wiring harness
- * Only left-hand drive models
 *2 Only right-hand drive models
 *3 Only models with rain and light sensor
 *4 Only models with battery in luggage compartment
 *5 Only models with battery in engine compartment

- ws = white
- sw = black
- ro = red
- rt = red
- br = brown
- gn = green
- bl = blue
- gr = grey
- li = purple
- vi = purple
- ge = yellow
- or = orange
- rs = pink





Button for deactivating interior monitoring and vehicle inclination sensor, Bonnet contact switch

- E616 Button for deactivating interior monitoring and vehicle inclination sensor
- F266 Bonnet contact switch
- J519 Onboard supply control unit
- K248 Warning lamp for deactivation of interior monitoring and vehicle inclination
- L76 Button illumination bulb
- T2a 2-pin connector
- T6v 6-pin connector
- T46b 46-pin connector, brown
- T73a 73-pin connector, black
- T73c 73-pin connector, black
- W1 Front interior light
- 12 Earth point, on left in engine compartment
- 375 Earth connection 10, in main wiring harness
- 384 Earth connection 19, in main wiring harness
- B559 Positive connection 1 (30g), in main wiring harness
- B632 Connection (interior light, 31), in main wiring harness

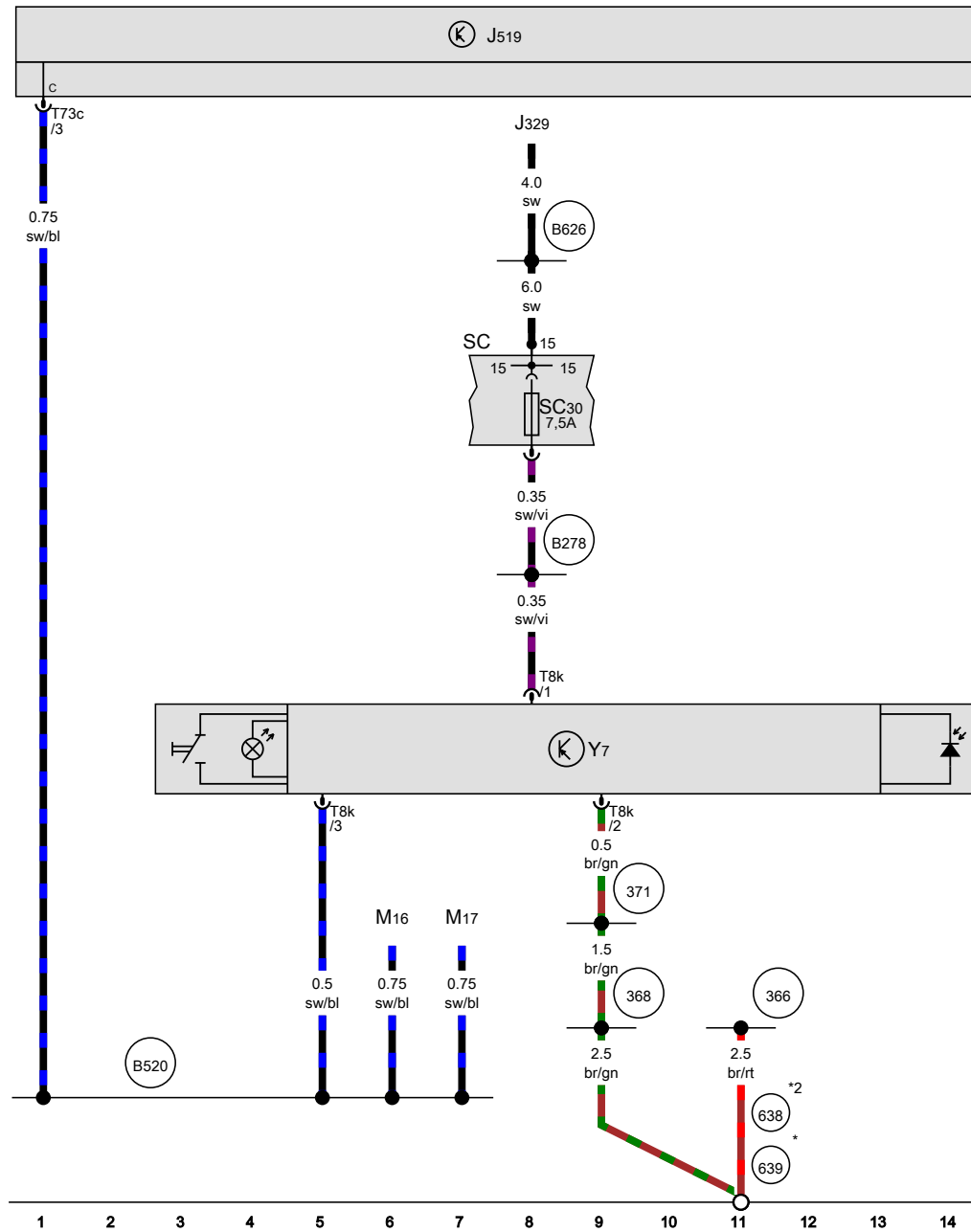
Automatic anti-dazzle interior mirror

From November 2015

Fuse holder C, Automatic anti-dazzle interior mirror

- J329 Terminal 15 voltage supply relay
- J519 Onboard supply control unit
- M16 Left reversing light bulb
- M17 Right reversing light bulb
- SC Fuse holder C
- SC30 Fuse 30 on fuse holder C
- T8k 8-pin connector
- T73c 73-pin connector, black
- Y7 Automatic anti-dazzle interior mirror

- 366 Earth connection 1, in main wiring harness
- 368 Earth connection 3, in main wiring harness
- 371 Earth connection 6, in main wiring harness
- 638 Earth point, on right A-pillar
- 639 Earth point, left A-pillar
- B278 Positive connection 2 (15a) in main wiring harness
- B520 Connection (RL), in main wiring harness
- B626 Positive connection 2 (15), in main wiring harness
- * Only left-hand drive models
- *2 Only right-hand drive models



- ws = white
- sw = black
- ro = red
- rt = red
- br = brown
- gn = green
- bl = blue
- gr = grey
- li = purple
- vi = purple
- ge = yellow
- or = orange
- rs = pink

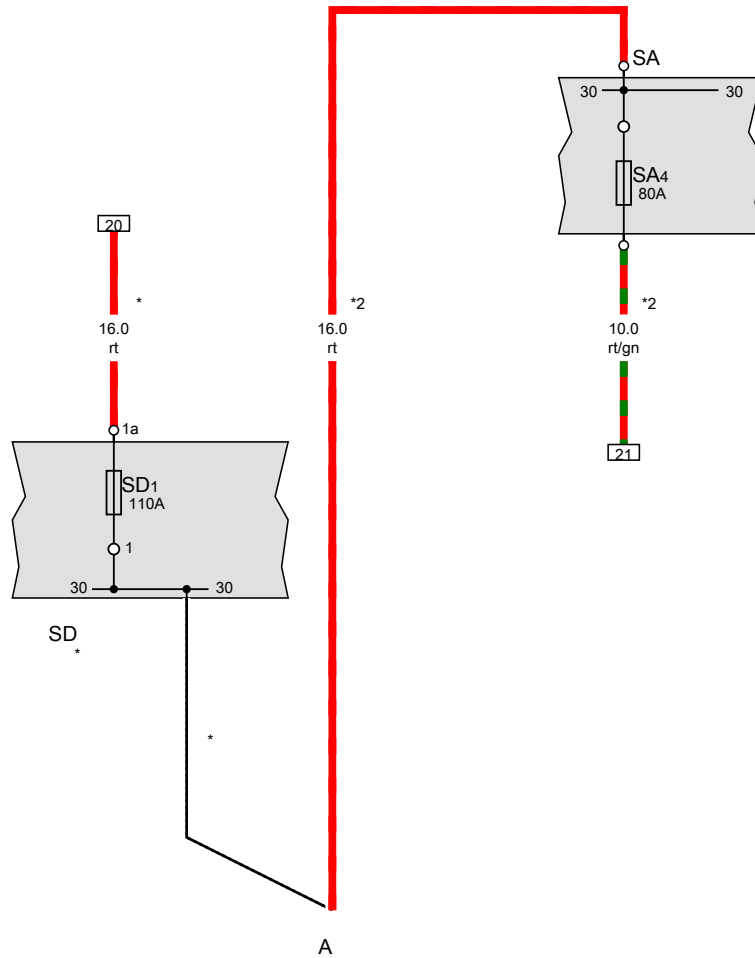
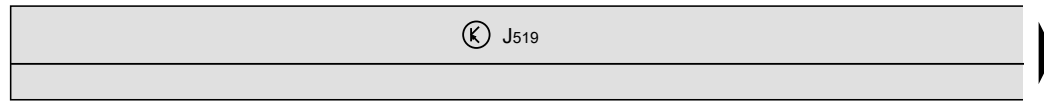
[NH0-114020216]

Electrically adjustable and heated exterior mirror , (L0L)

From November 2015

Battery, Fuse holder A, Fuse holder D

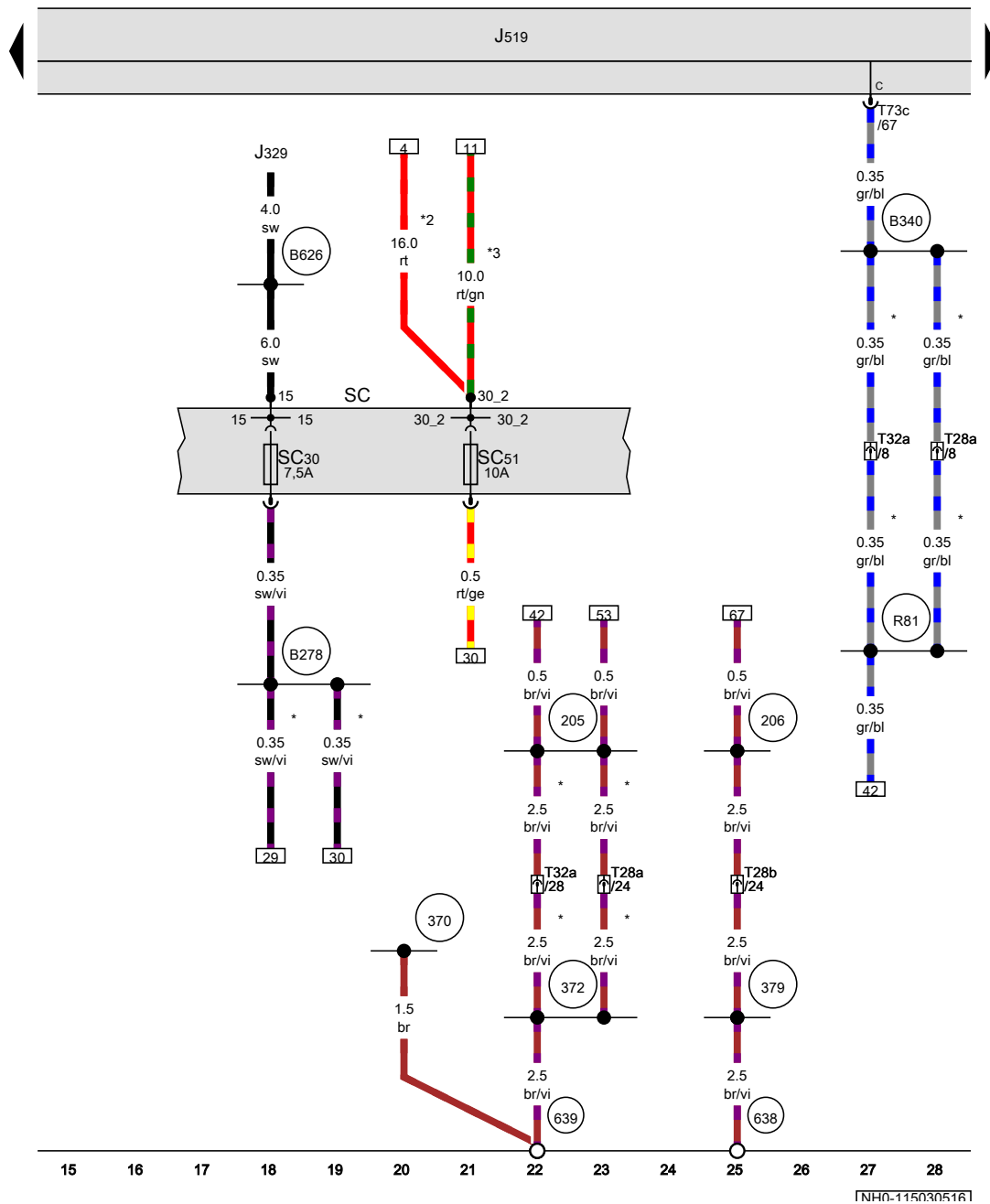
- A Battery
- J519 Onboard supply control unit
- SA Fuse holder A
- SD Fuse holder D
- SD1 Fuse 1 on fuse holder D
- SA4 Fuse 4 in fuse holder A
- * Only models with battery in luggage compartment
- *2 Only models with battery in engine compartment



- ws = white
- sw = black
- ro = red
- rt = red
- br = brown
- gn = green
- bl = blue
- gr = grey
- li = purple
- vi = purple
- ge = yellow
- or = orange
- rs = pink

1 2 3 4 5 6 7 8 9 10 11 12 13 14

[NH0-115020516]



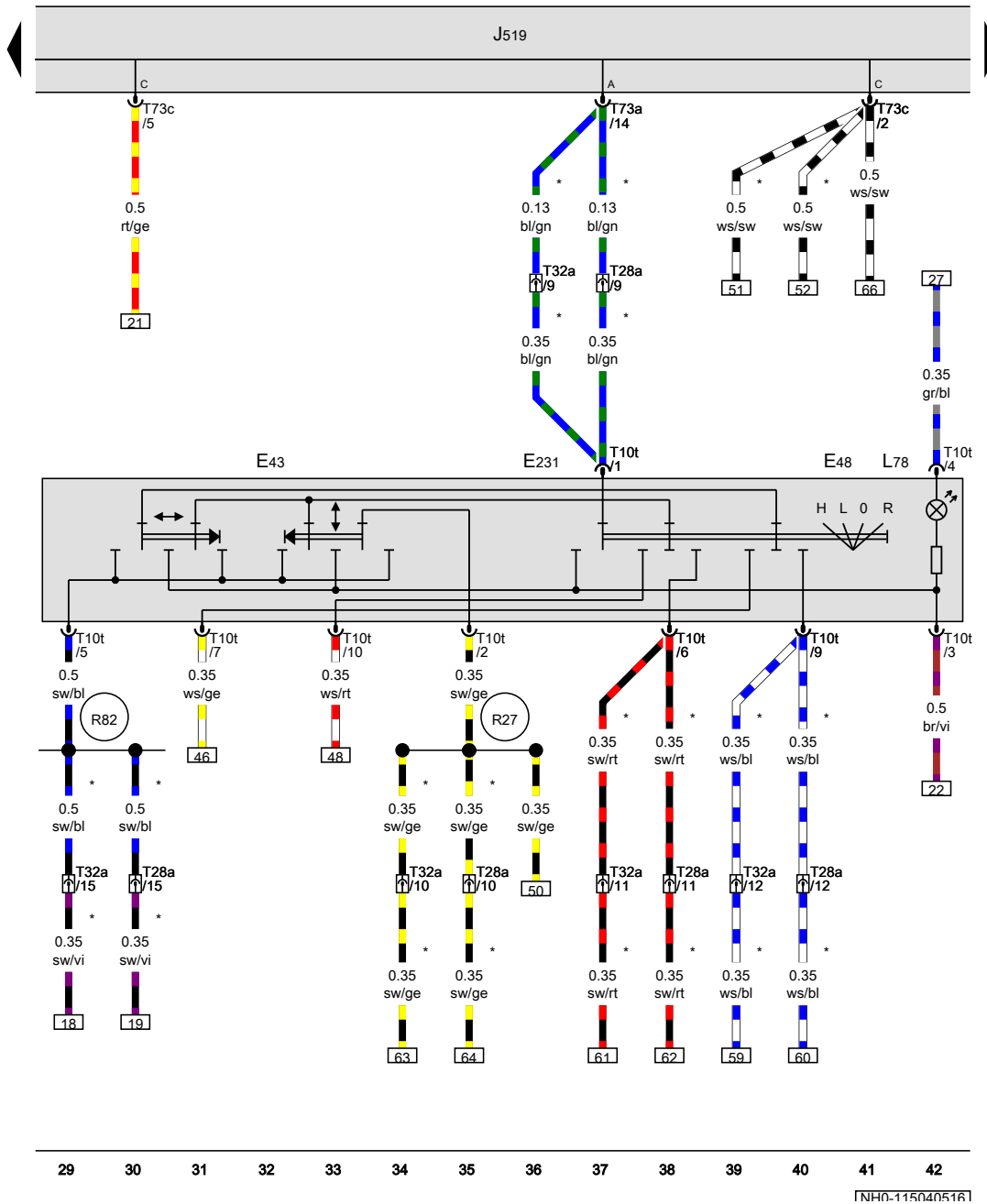
Fuse holder C

- J329 Terminal 15 voltage supply relay
- J519 Onboard supply control unit
- SC Fuse holder C
- SC30 Fuse 30 on fuse holder C
- SC51 Fuse 51 on fuse holder C
- T28a 28-pin connector, on left A-pillar
- T28b 28-pin connector, on right A-pillar
- T32a 32-pin connector, on left A-pillar
- T73c 73-pin connector, black

- 205 Earth connection, in driver door wiring harness
- 206 Earth connection, in front passenger door wiring harness
- 370 Earth connection 5, in main wiring harness
- 372 Earth connection 7, in main wiring harness
- 379 Earth connection 14, in main wiring harness
- 638 Earth point, on right A-pillar
- 639 Earth point, left A-pillar
- B278 Positive connection 2 (15a) in main wiring harness
- B340 Connection 1 (58d), in main wiring harness
- B626 Positive connection 2 (15), in main wiring harness
- R81 Connection 1 (58d), in driver side door wiring harness

- ws = white
- sw = black
- ro = red
- rt = red
- br = brown
- gn = green
- bl = blue
- gr = grey
- li = purple
- vi = violet
- ge = yellow
- or = orange
- rs = pink

- * According to equipment
- *2 Only models with battery in luggage compartment
- *3 Only models with battery in engine compartment



Mirror adjustment switch

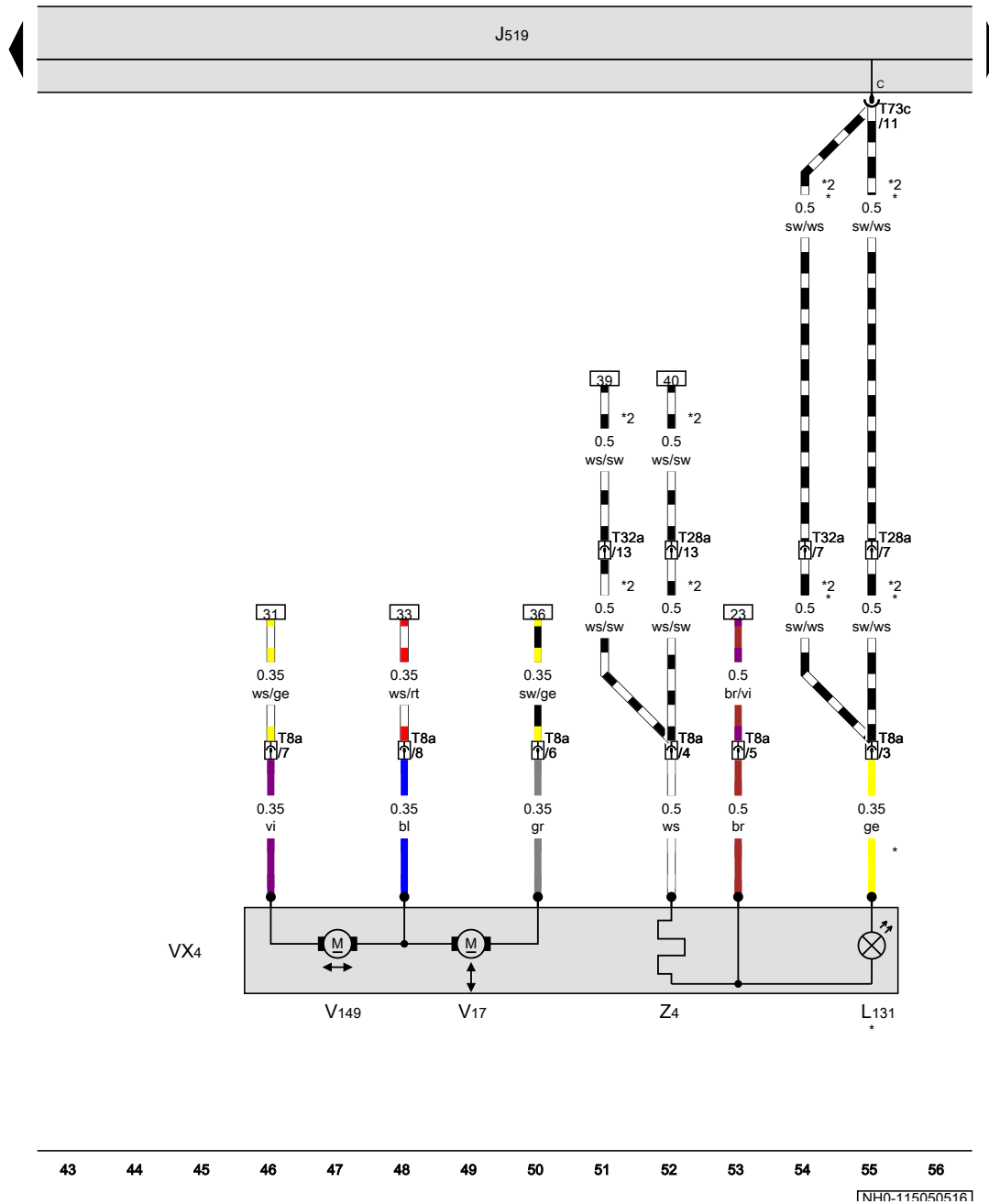
- E43 Mirror adjustment switch
- E48 Mirror adjustment changeover switch
- E231 Exterior mirror heater button
- J519 Onboard supply control unit
- L78 Mirror adjustment switch illumination bulb
- T10t 10-pin connector
- T28a 28-pin connector, on left A-pillar
- T32a 32-pin connector, on left A-pillar
- T73a 73-pin connector, black
- T73c 73-pin connector, black

- R27 Connection (mirror adjustment), in driver door wiring harness
- R82 Positive connection 1 (15a), in driver side door wiring harness
- * According to equipment

- ws = white
- sw = black
- ro = red
- rt = red
- br = brown
- gn = green
- bl = blue
- gr = grey
- li = purple
- vi = purple
- ge = yellow
- or = orange
- rs = pink

Driver side exterior mirror

- J519 Onboard supply control unit
- L131 Driver side turn signal repeater bulb
- T8a 8-pin connector
- T28a 28-pin connector, on left A-pillar
- T32a 32-pin connector, on left A-pillar
- T73c 73-pin connector, black
- VX4 Driver side exterior mirror
- V17 Driver side mirror adjustment motor 2
- V149 Driver side mirror adjustment motor
- Z4 Heated exterior mirror on driver side
- * Not for models with equipment for Russia
- *2 According to equipment

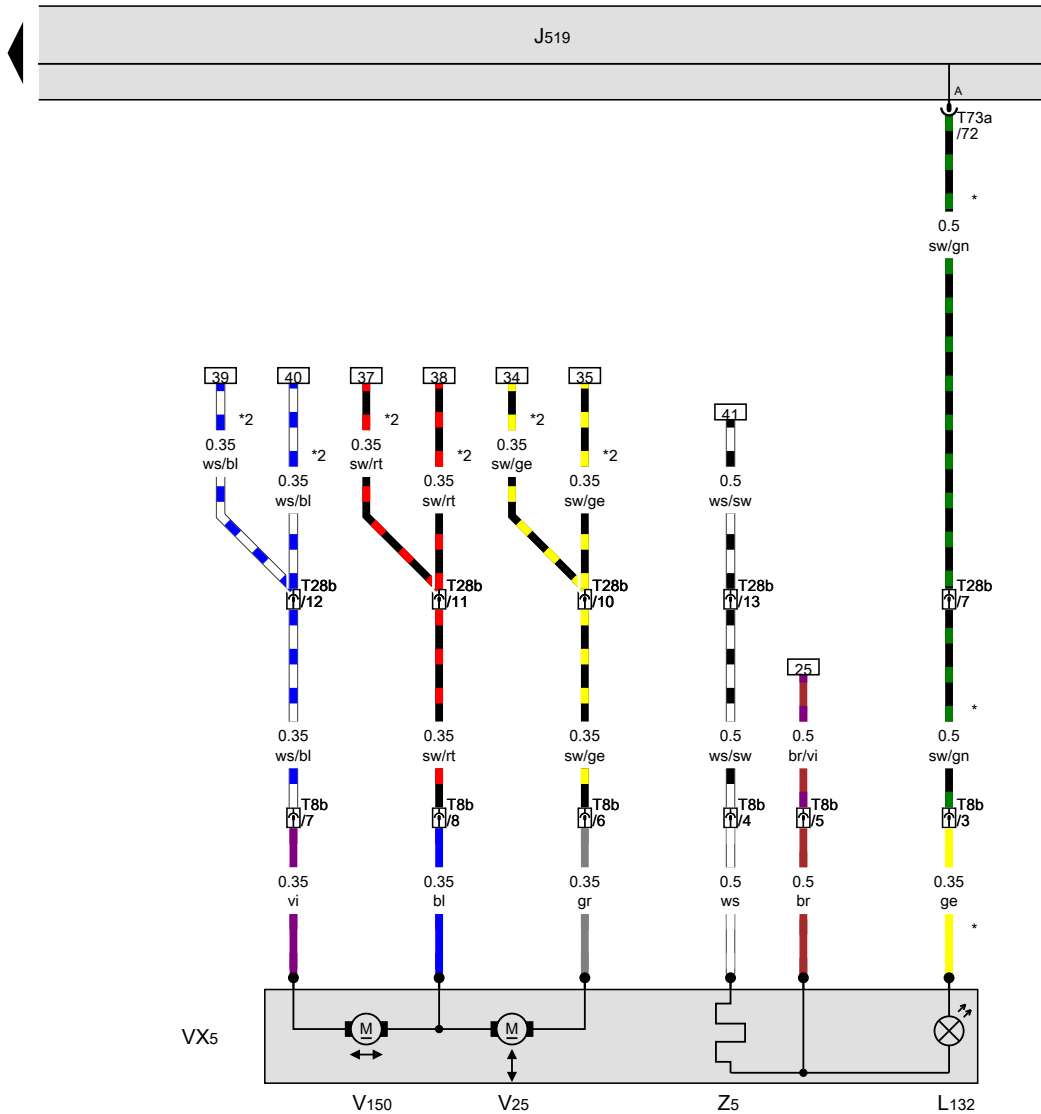


43 44 45 46 47 48 49 50 51 52 53 54 55 56

[NH0-115050516]

Front passenger side exterior mirror

- J519 Onboard supply control unit
- L132 Front passenger side turn signal repeater bulb
- T8b 8-pin connector
- T28b 28-pin connector, on right A-pillar
- T73a 73-pin connector, black
- VX5 Front passenger side exterior mirror
- V25 Front passenger side mirror adjustment motor 2
- V150 Front passenger side mirror adjustment motor
- Z5 Heated exterior mirror on front passenger side
- * Not for models with equipment for Russia
- *2 According to equipment



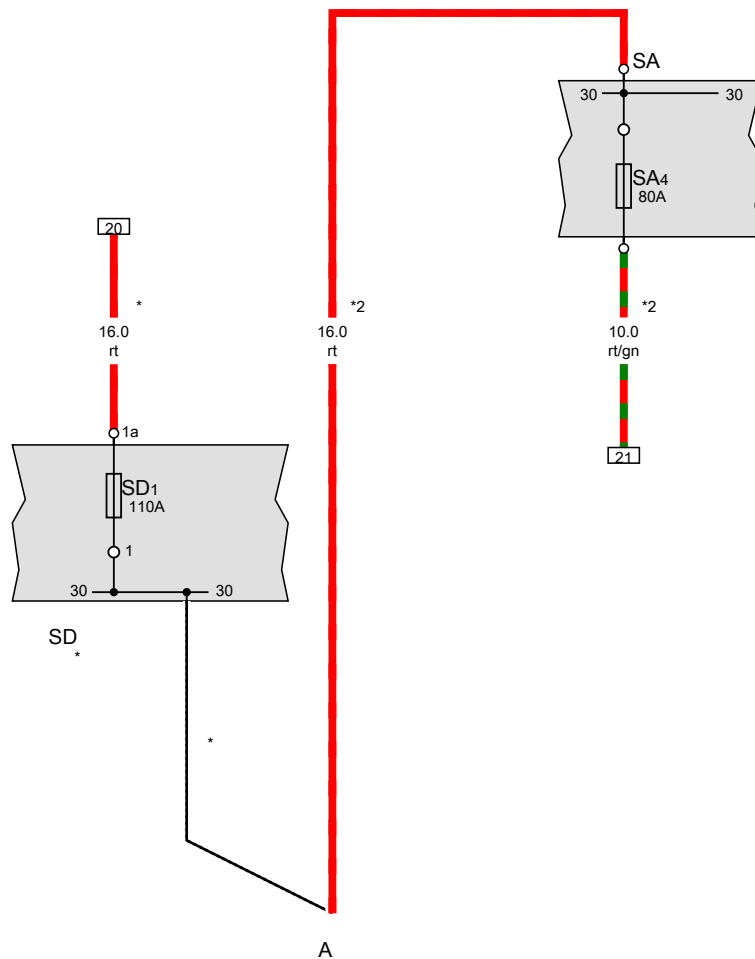
- ws = white
- sw = black
- ro = red
- rt = red
- br = brown
- gn = green
- bl = blue
- gr = grey
- li = purple
- vi = purple
- ge = yellow
- or = orange
- rs = pink

Electrically adjustable and heated exterior mirror , (LOR)

From November 2015

Battery, Fuse holder A, Fuse holder D

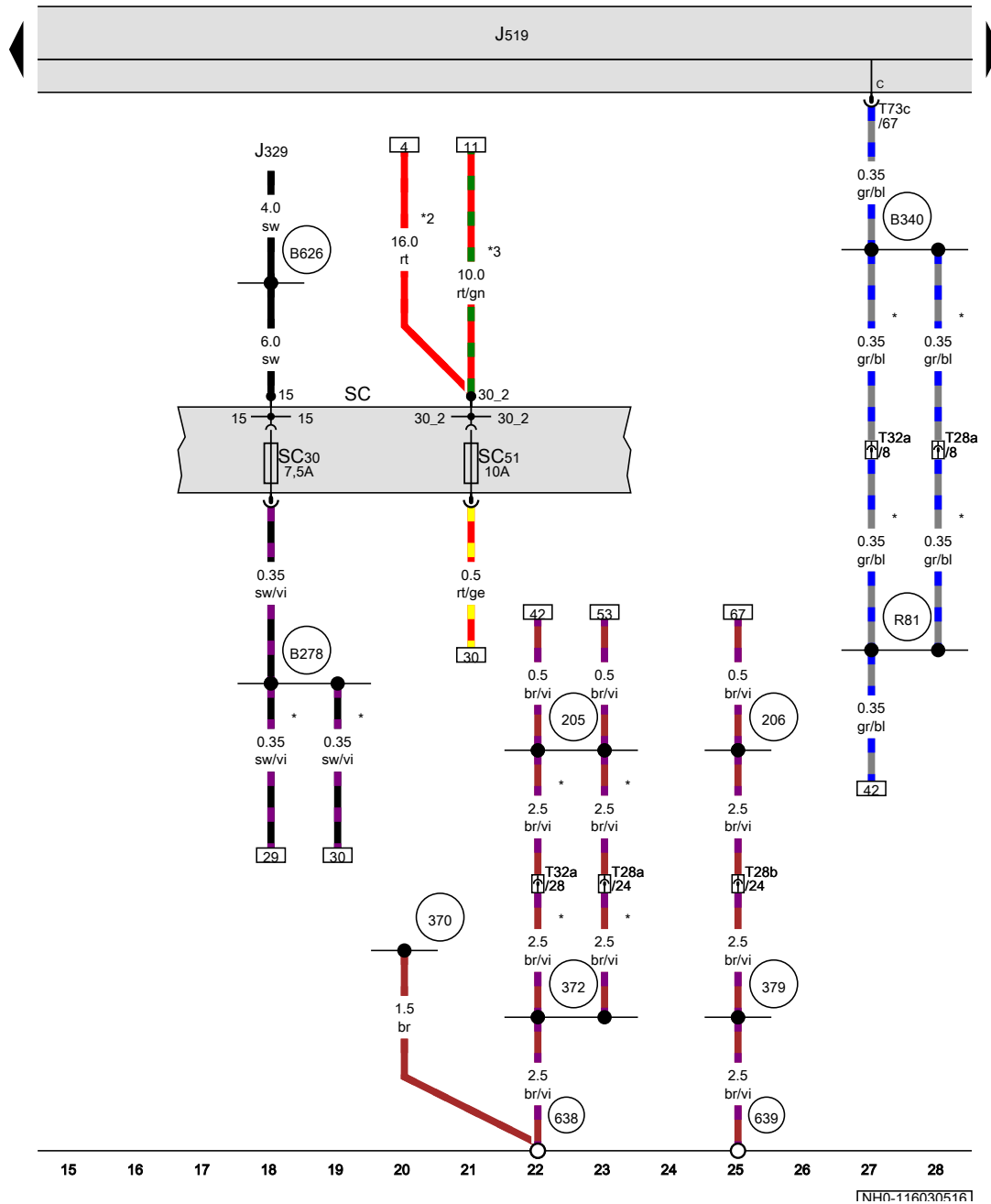
- A Battery
- J519 Onboard supply control unit
- SA Fuse holder A
- SD Fuse holder D
- SD1 Fuse 1 on fuse holder D
- SA4 Fuse 4 in fuse holder A
- * Only models with battery in luggage compartment
- *2 Only models with battery in engine compartment



1 2 3 4 5 6 7 8 9 10 11 12 13 14

[NH0-116020516]

- ws = white
- sw = black
- ro = red
- rt = red
- br = brown
- gn = green
- bl = blue
- gr = grey
- li = purple
- vi = purple
- ge = yellow
- or = orange
- rs = pink



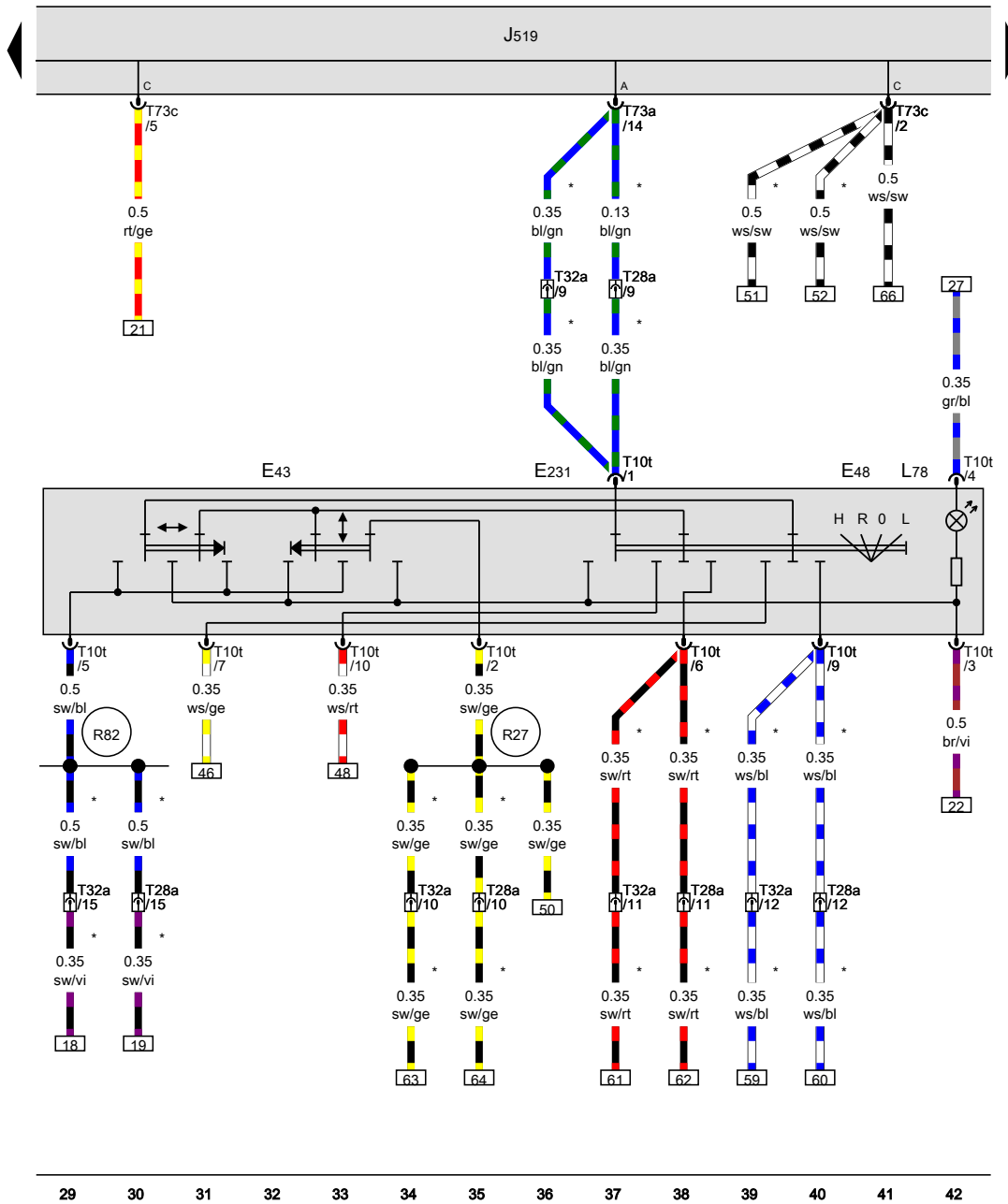
Fuse holder C

- J329 Terminal 15 voltage supply relay
- J519 Onboard supply control unit
- SC Fuse holder C
- SC30 Fuse 30 on fuse holder C
- SC51 Fuse 51 on fuse holder C
- T28a 28-pin connector, on right A-pillar
- T28b 28-pin connector, on left A-pillar
- T32a 32-pin connector, on right A-pillar
- T73c 73-pin connector, black

- 205 Earth connection, in driver door wiring harness
- 206 Earth connection, in front passenger door wiring harness
- 370 Earth connection 5, in main wiring harness
- 372 Earth connection 7, in main wiring harness
- 379 Earth connection 14, in main wiring harness
- 638 Earth point, on right A-pillar
- 639 Earth point, left A-pillar
- B278 Positive connection 2 (15a) in main wiring harness
- B340 Connection 1 (58d), in main wiring harness
- B626 Positive connection 2 (15), in main wiring harness
- R81 Connection 1 (58d), in driver side door wiring harness

- ws = white
- sw = black
- ro = red
- rt = red
- br = brown
- gn = green
- bl = blue
- gr = grey
- li = purple
- vi = purple
- ge = yellow
- or = orange
- rs = pink

- * According to equipment
- *2 Only models with battery in luggage compartment
- *3 Only models with battery in engine compartment



Mirror adjustment switch

- E43 Mirror adjustment switch
- E48 Mirror adjustment changeover switch
- E231 Exterior mirror heater button
- J519 Onboard supply control unit
- L78 Mirror adjustment switch illumination bulb
- T10t 10-pin connector
- T28a 28-pin connector, on right A-pillar
- T32a 32-pin connector, on right A-pillar
- T73a 73-pin connector, black
- T73c 73-pin connector, black

R27 Connection (mirror adjustment), in driver door wiring harness

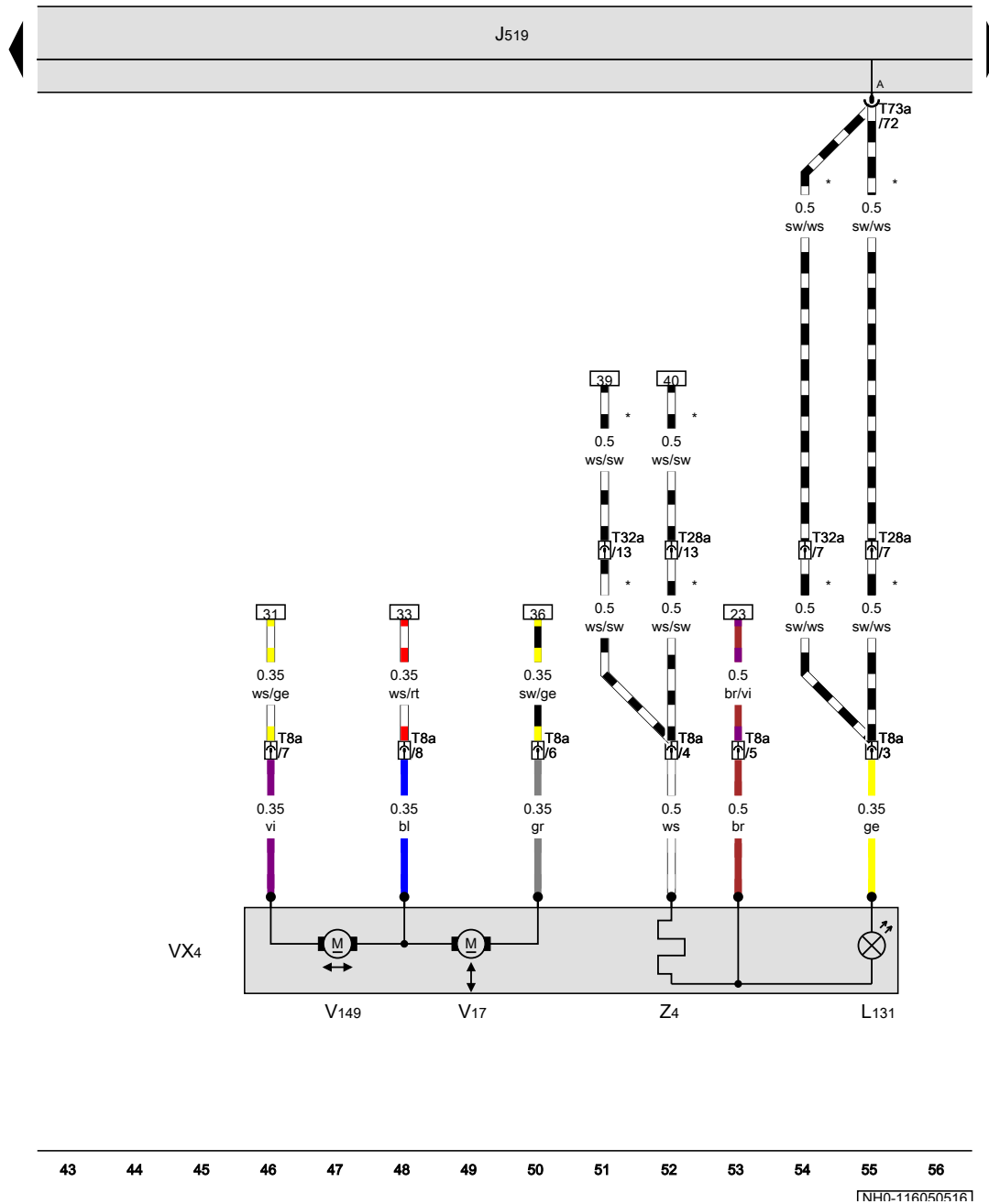
R82 Positive connection 1 (15a), in driver side door wiring harness

* According to equipment

- ws = white
- sw = black
- ro = red
- rt = red
- br = brown
- gn = green
- bl = blue
- gr = grey
- li = purple
- vi = purple
- ge = yellow
- or = orange
- rs = pink

Driver side exterior mirror

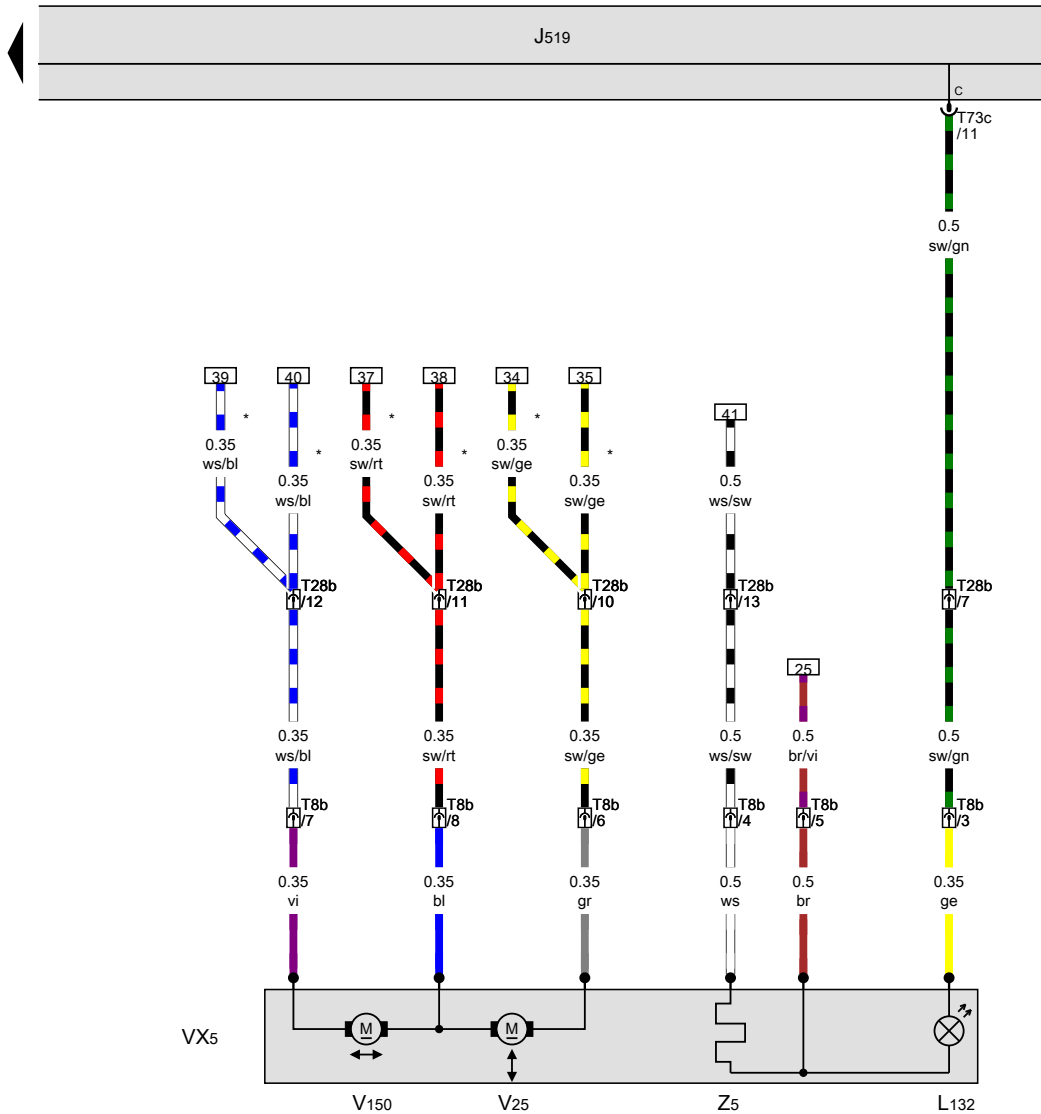
- J519 Onboard supply control unit
- L131 Driver side turn signal repeater bulb
- T8a 8-pin connector
- T28a 28-pin connector, on right A-pillar
- T32a 32-pin connector, on right A-pillar
- T73a 73-pin connector, black
- VX4 Driver side exterior mirror
- V17 Driver side mirror adjustment motor 2
- V149 Driver side mirror adjustment motor
- Z4 Heated exterior mirror on driver side
- * According to equipment



[NH0-116050516]

Front passenger side exterior mirror

- J519 Onboard supply control unit
- L132 Front passenger side turn signal repeater bulb
- T8b 8-pin connector
- T28b 28-pin connector, on left A-pillar
- T73c 73-pin connector, black
- VX5 Front passenger side exterior mirror
- V25 Front passenger side mirror adjustment motor 2
- V150 Front passenger side mirror adjustment motor
- Z5 Heated exterior mirror on front passenger side
- * According to equipment



- ws = white
- sw = black
- ro = red
- rt = red
- br = brown
- gn = green
- bl = blue
- gr = grey
- li = purple
- vi = purple
- ge = yellow
- or = orange
- rs = pink

57 58 59 60 61 62 63 64 65 66 67 68 69 70

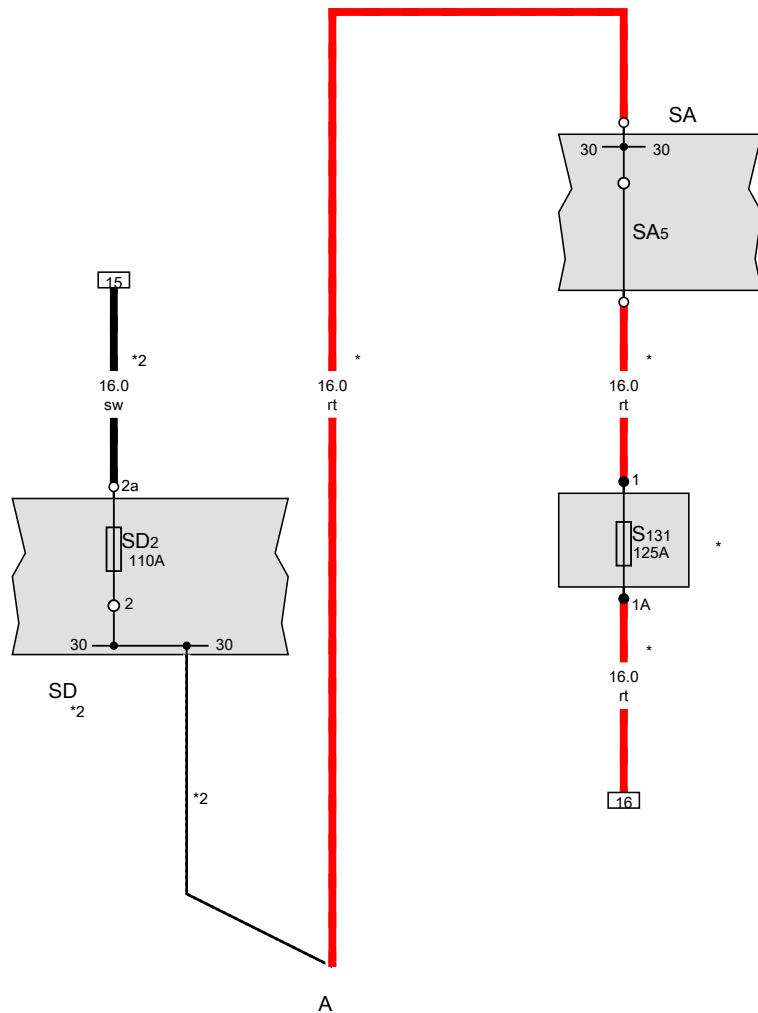
[NH0-116060516]

Headlight washer system

From November 2015

Battery, Fuse holder A, Fuse holder D

- A Battery
- J519 Onboard supply control unit
- SD2 Fuse 2 on fuse holder D
- SA5 Fuse 5 in fuse holder A
- S131 Fuse 1, in main wiring harness
- SA Fuse holder A
- SD Fuse holder D
- * Only models with battery in engine compartment
- *2 Only models with battery in luggage compartment



- ws = white
- sw = black
- ro = red
- rt = red
- br = brown
- gn = green
- bl = blue
- gr = grey
- li = purple
- vi = purple
- ge = yellow
- or = orange
- rs = pink

1 2 3 4 5 6 7 8 9 10 11 12 13 14

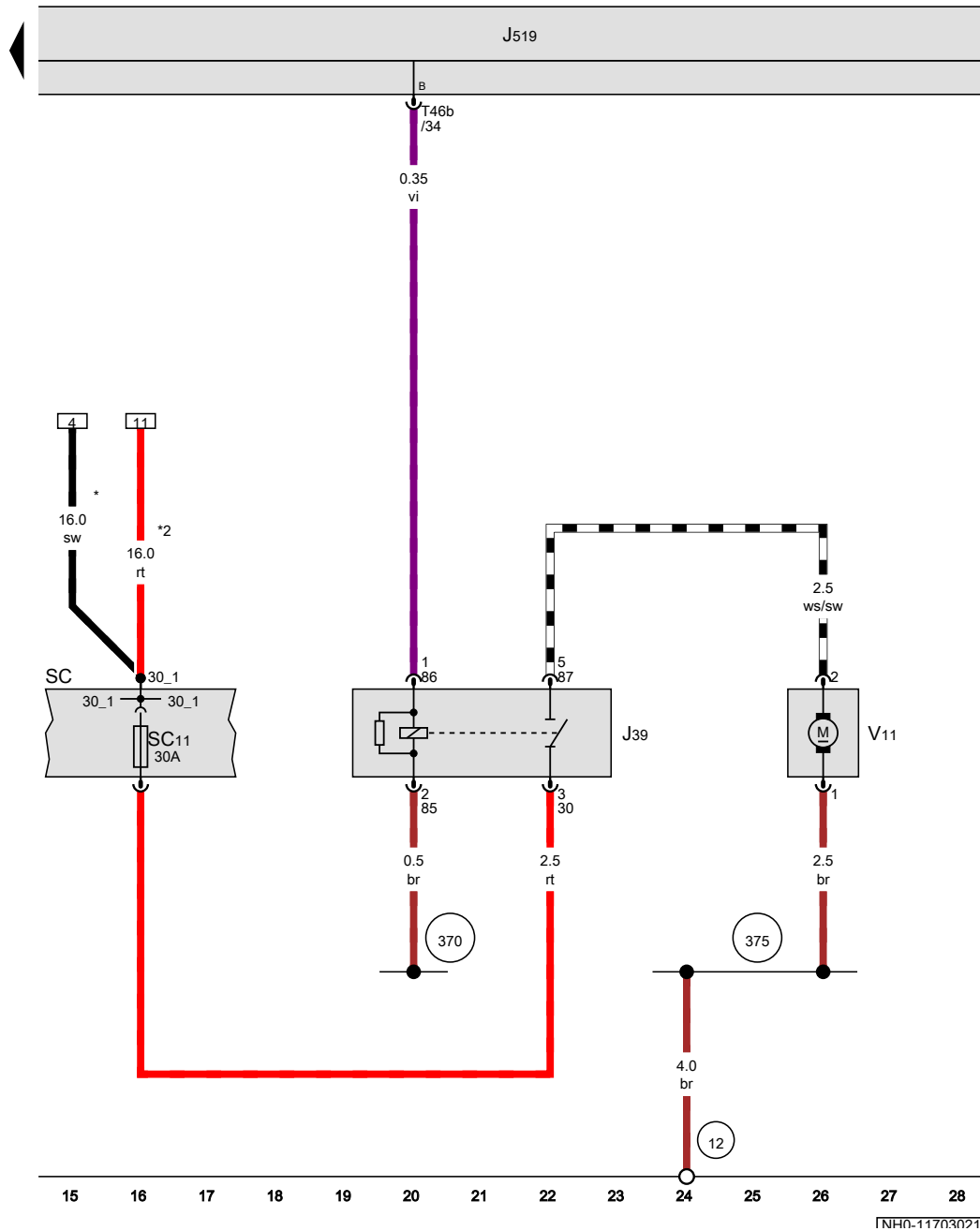
[NH0-117020216]

Headlight washer system relay, Fuse holder C, Headlight washer system pump

- J39 Headlight washer system relay
- J519 Onboard supply control unit
- SC Fuse holder C
- SC11 Fuse 11 on fuse holder C
- T46b 46-pin connector, brown
- V11 Headlight washer system pump

- 12 Earth point, on left in engine compartment
- 370 Earth connection 5, in main wiring harness
- 375 Earth connection 10, in main wiring harness

- * Only models with battery in luggage compartment
- *2 Only models with battery in engine compartment



- ws = white
- sw = black
- ro = red
- rt = red
- br = brown
- gn = green
- bl = blue
- gr = grey
- li = purple
- vi = purple
- ge = yellow
- or = orange
- rs = pink

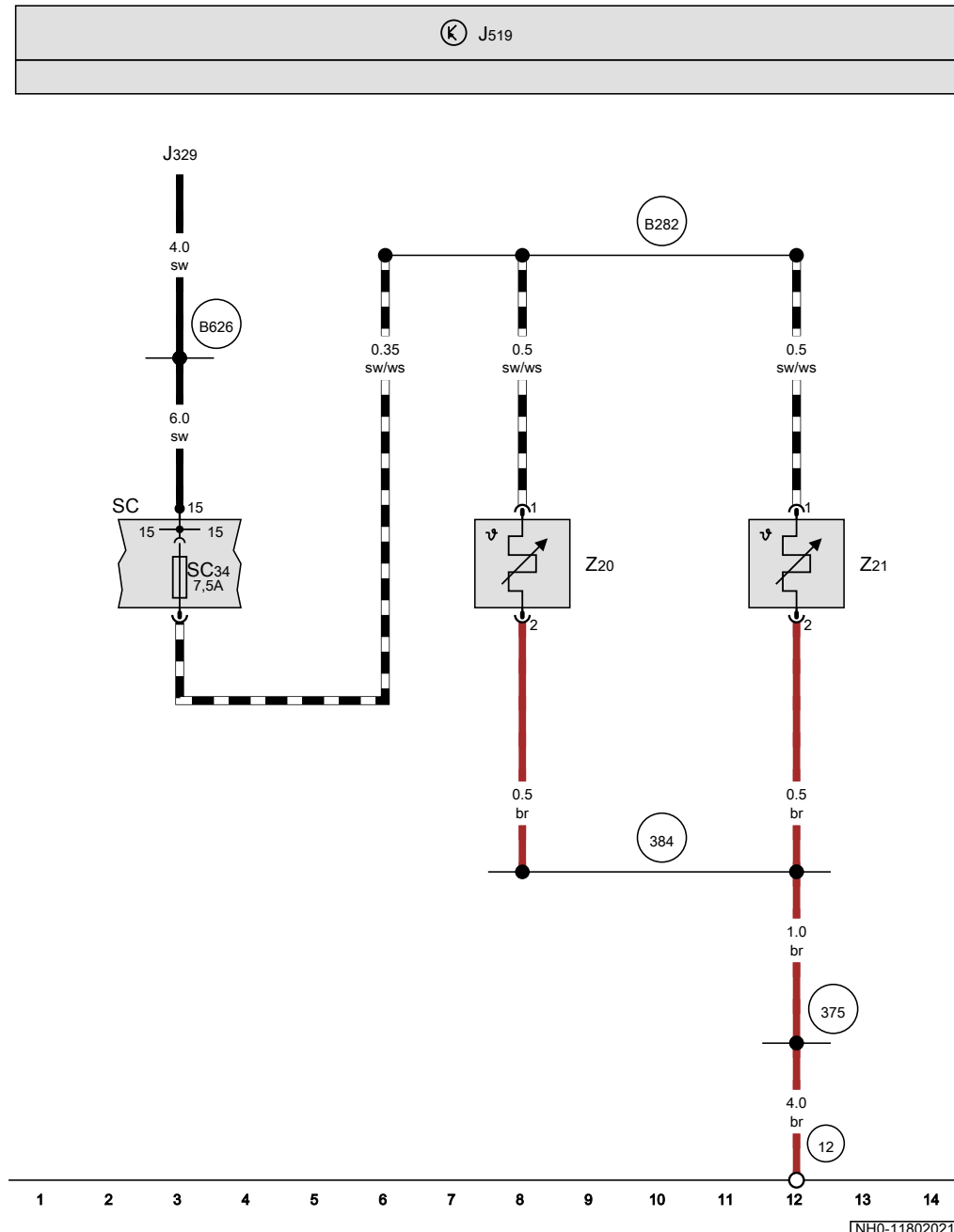
Heated washer jets

From November 2015

Fuse holder C, Left washer jet heater element, Right washer jet heater element

- J329 Terminal 15 voltage supply relay
- J519 Onboard supply control unit
- SC Fuse holder C
- SC34 Fuse 34 on fuse holder C
- Z20 Left washer jet heater element
- Z21 Right washer jet heater element

- 12 Earth point, on left in engine compartment
- 375 Earth connection 10, in main wiring harness
- 384 Earth connection 19, in main wiring harness
- B282 Positive connection 6 (15a) in main wiring harness
- B626 Positive connection 2 (15), in main wiring harness



- ws = white
- sw = black
- ro = red
- rt = red
- br = brown
- gn = green
- bl = blue
- gr = grey
- li = purple
- vi = purple
- ge = yellow
- or = orange
- rs = pink

[NH0-118020216]

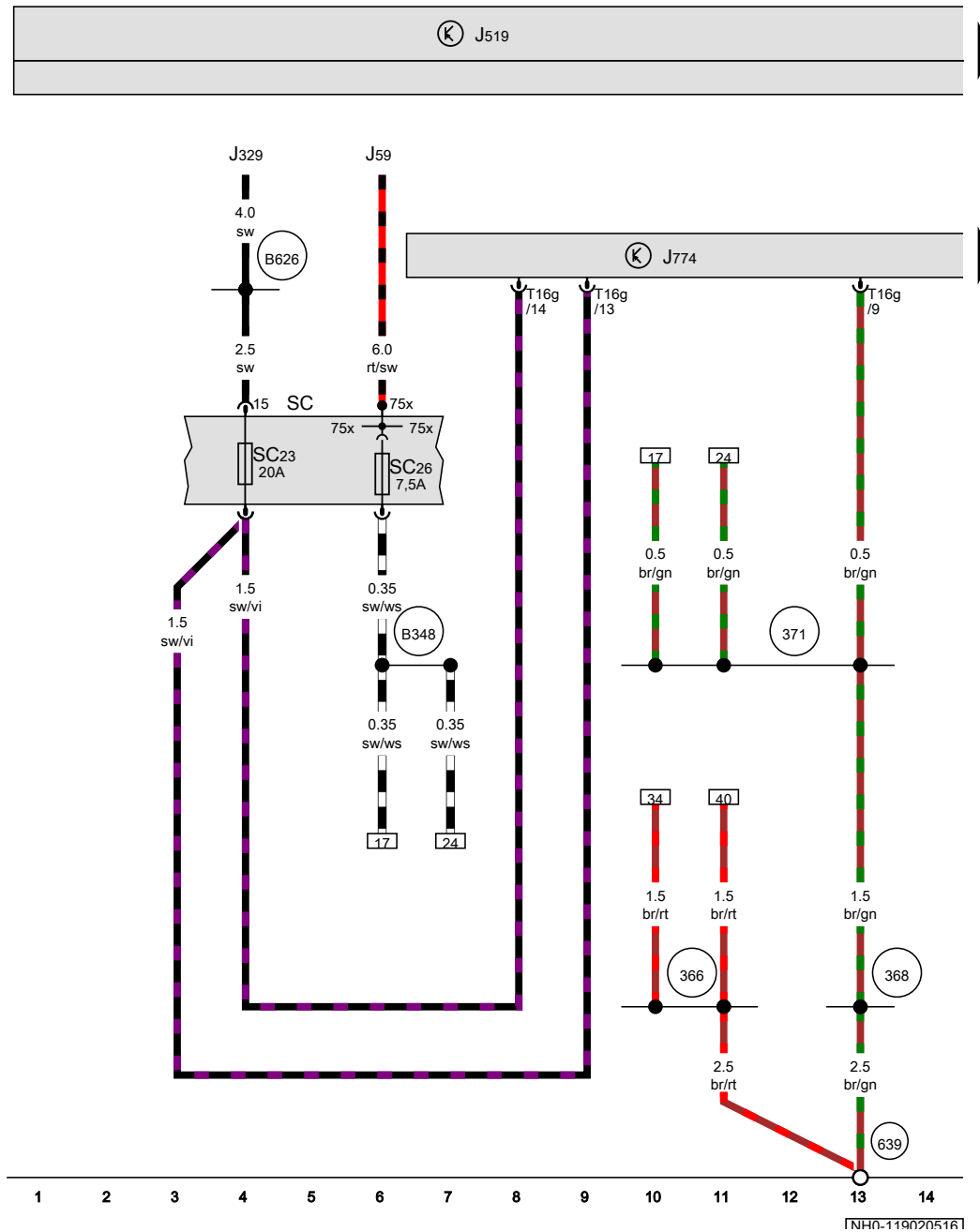
Seat heating , (L0L)

From November 2015

Heated front seats control unit, Fuse holder C

- J59 X-contact relief relay
- J329 Terminal 15 voltage supply relay
- J519 Onboard supply control unit
- J774 Heated front seats control unit, behind dash panel, centre
- SC Fuse holder C
- SC23 Fuse 23 on fuse holder C
- SC26 Fuse 26 on fuse holder C
- T16g 16-pin connector

- 366 Earth connection 1, in main wiring harness
- 368 Earth connection 3, in main wiring harness
- 371 Earth connection 6, in main wiring harness
- 639 Earth point, left A-pillar
- B348 Connection 1 (75a), in main wiring harness
- B626 Positive connection 2 (15), in main wiring harness

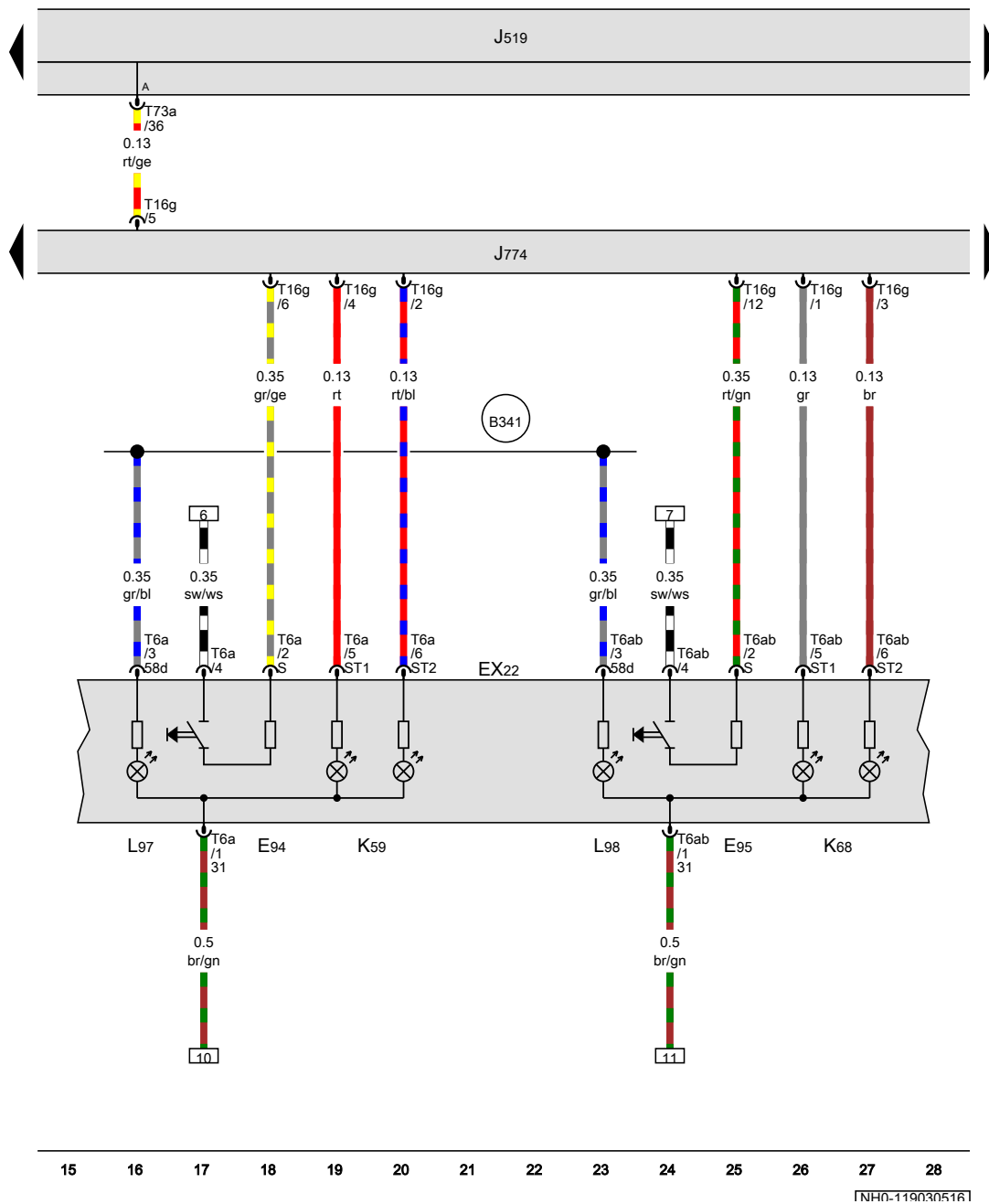


[NH0-119020516]

Centre switch module in dash panel, Heated driver seat regulator, Heated front passenger seat regulator, Heated front seats control unit

- EX22 Centre switch module in dash panel
- E94 Heated driver seat regulator
- E95 Heated front passenger seat regulator
- J519 Onboard supply control unit
- J774 Heated front seats control unit, behind dash panel, centre
- K59 Heated driver seat warning lamp
- K68 Heated front passenger seat warning lamp
- L97 Heated driver seat switch illumination bulb
- L98 Heated front passenger seat switch illumination bulb
- T6a 6-pin connector, red
- T6ab 6-pin connector, blue
- T16g 16-pin connector
- T73a 73-pin connector, black

B341 Connection 2 (58d), in main wiring harness

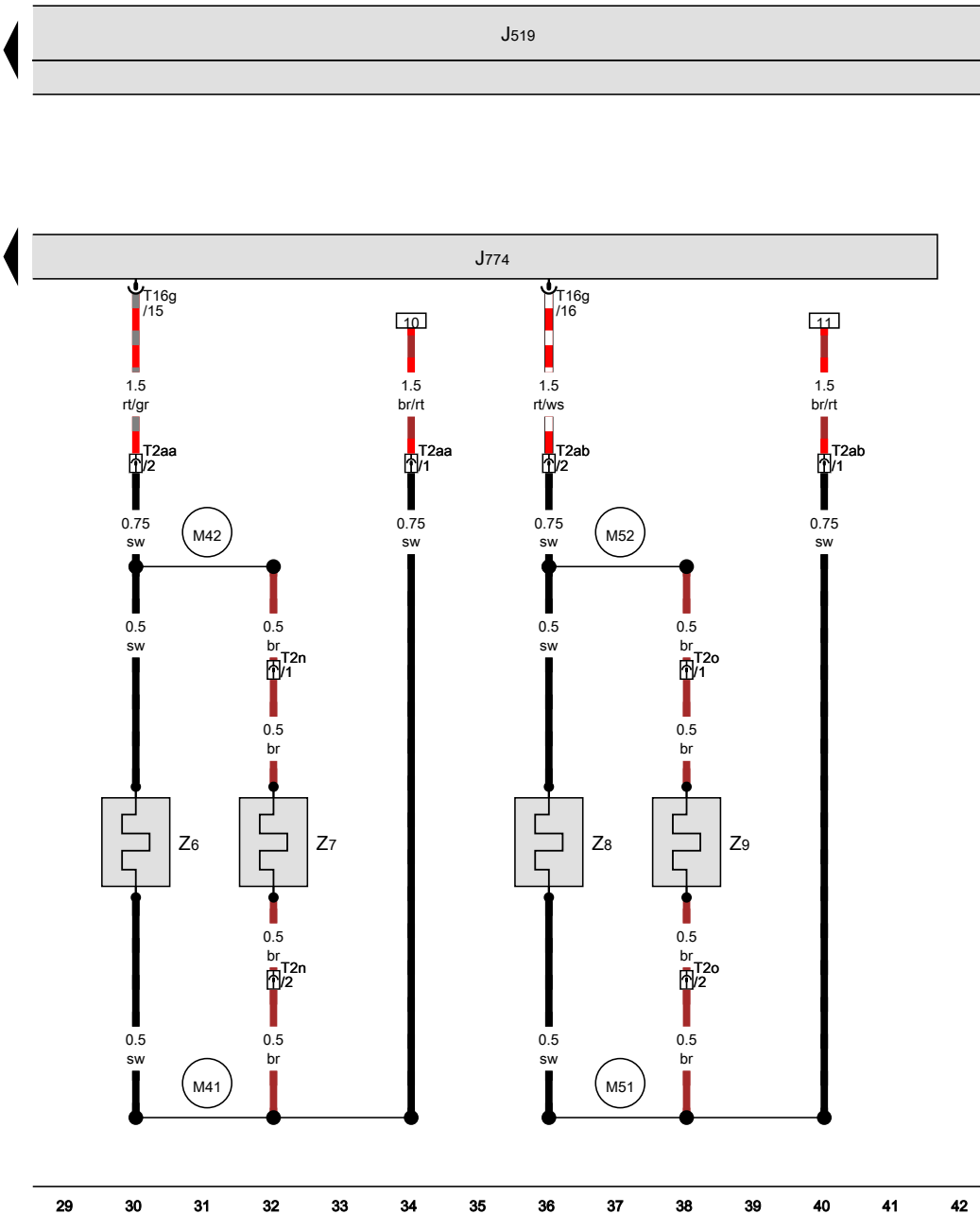


- ws = white
- sw = black
- ro = red
- rt = red
- br = brown
- gn = green
- bl = blue
- gr = grey
- li = purple
- vi = purple
- ge = yellow
- or = orange
- rs = pink

Heated front seats control unit, Heated seat cushion for driver seat, Heated backrest for driver seat, Heated seat cushion for front passenger seat, Heated backrest for front passenger seat

- J519 Onboard supply control unit
- J774 Heated front seats control unit, behind dash panel, centre
- T2aa 2-pin connector, under driver seat, red
- T2ab 2-pin connector, under front passenger seat, red
- T2n 2-pin connector, under driver seat
- T2o 2-pin connector, under front passenger seat
- T16g 16-pin connector
- Z6 Heated seat cushion for driver seat
- Z7 Heated backrest for driver seat
- Z8 Heated seat cushion for front passenger seat
- Z9 Heated backrest for front passenger seat

- M41 Connection 1, in driver seat wiring harness
- M42 Connection 2, in driver seat wiring harness
- M51 Connection 1, in front passenger seat wiring harness
- M52 Connection 2, in front passenger seat wiring harness



- ws = white
- sw = black
- ro = red
- rt = red
- br = brown
- gn = green
- bl = blue
- gr = grey
- li = purple
- vi = purple
- ge = yellow
- or = orange
- rs = pink

[NH0-119040516]

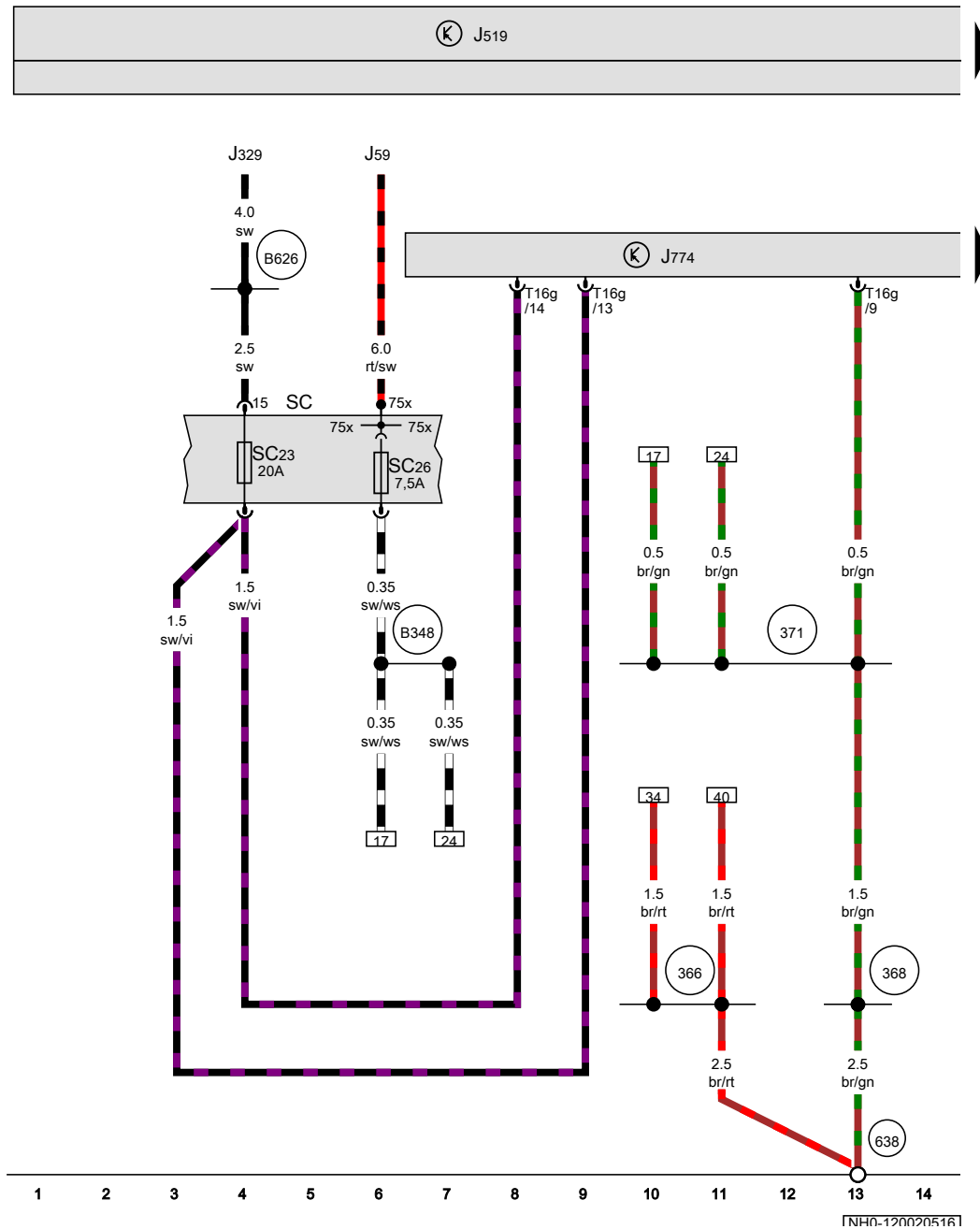
Seat heating , (L0R)

From November 2015

Heated front seats control unit, Fuse holder C

- J59 X-contact relief relay
- J329 Terminal 15 voltage supply relay
- J519 Onboard supply control unit
- J774 Heated front seats control unit, behind dash panel, centre
- SC Fuse holder C
- SC23 Fuse 23 on fuse holder C
- SC26 Fuse 26 on fuse holder C
- T16g 16-pin connector

- 366 Earth connection 1, in main wiring harness
- 368 Earth connection 3, in main wiring harness
- 371 Earth connection 6, in main wiring harness
- 638 Earth point, on right A-pillar
- B348 Connection 1 (75a), in main wiring harness
- B626 Positive connection 2 (15), in main wiring harness



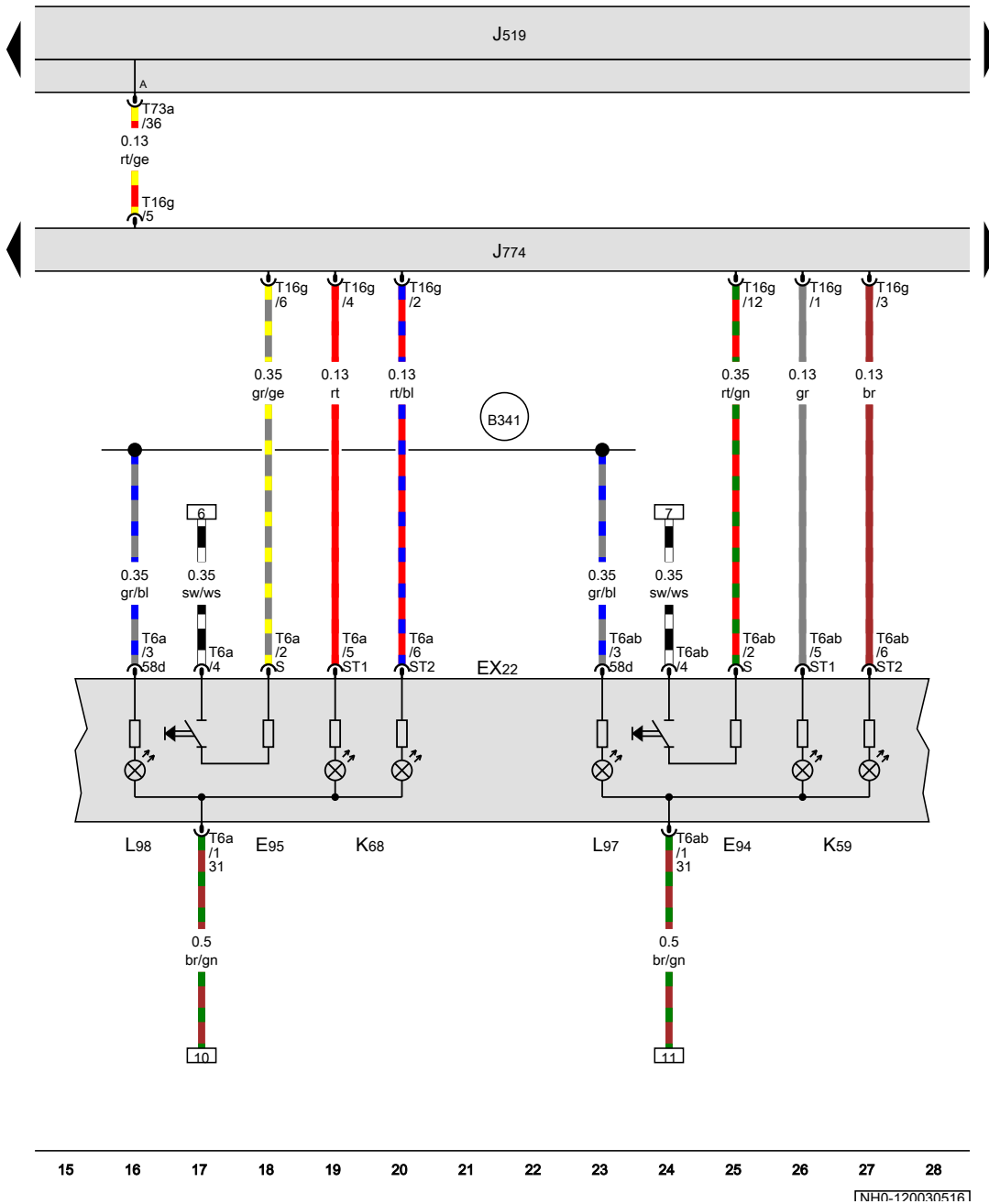
- ws = white
- sw = black
- ro = red
- rt = red
- br = brown
- gn = green
- bl = blue
- gr = grey
- li = purple
- vi = purple
- ge = yellow
- or = orange
- rs = pink

[NH0-120020516]

Centre switch module in dash panel, Heated driver seat regulator, Heated front passenger seat regulator, Heated front seats control unit

- EX22 Centre switch module in dash panel
- E94 Heated driver seat regulator
- E95 Heated front passenger seat regulator
- J519 Onboard supply control unit
- J774 Heated front seats control unit, behind dash panel, centre
- K59 Heated driver seat warning lamp
- K68 Heated front passenger seat warning lamp
- L97 Heated driver seat switch illumination bulb
- L98 Heated front passenger seat switch illumination bulb
- T6a 6-pin connector, red
- T6ab 6-pin connector, blue
- T16g 16-pin connector
- T73a 73-pin connector, black

B341 Connection 2 (58d), in main wiring harness

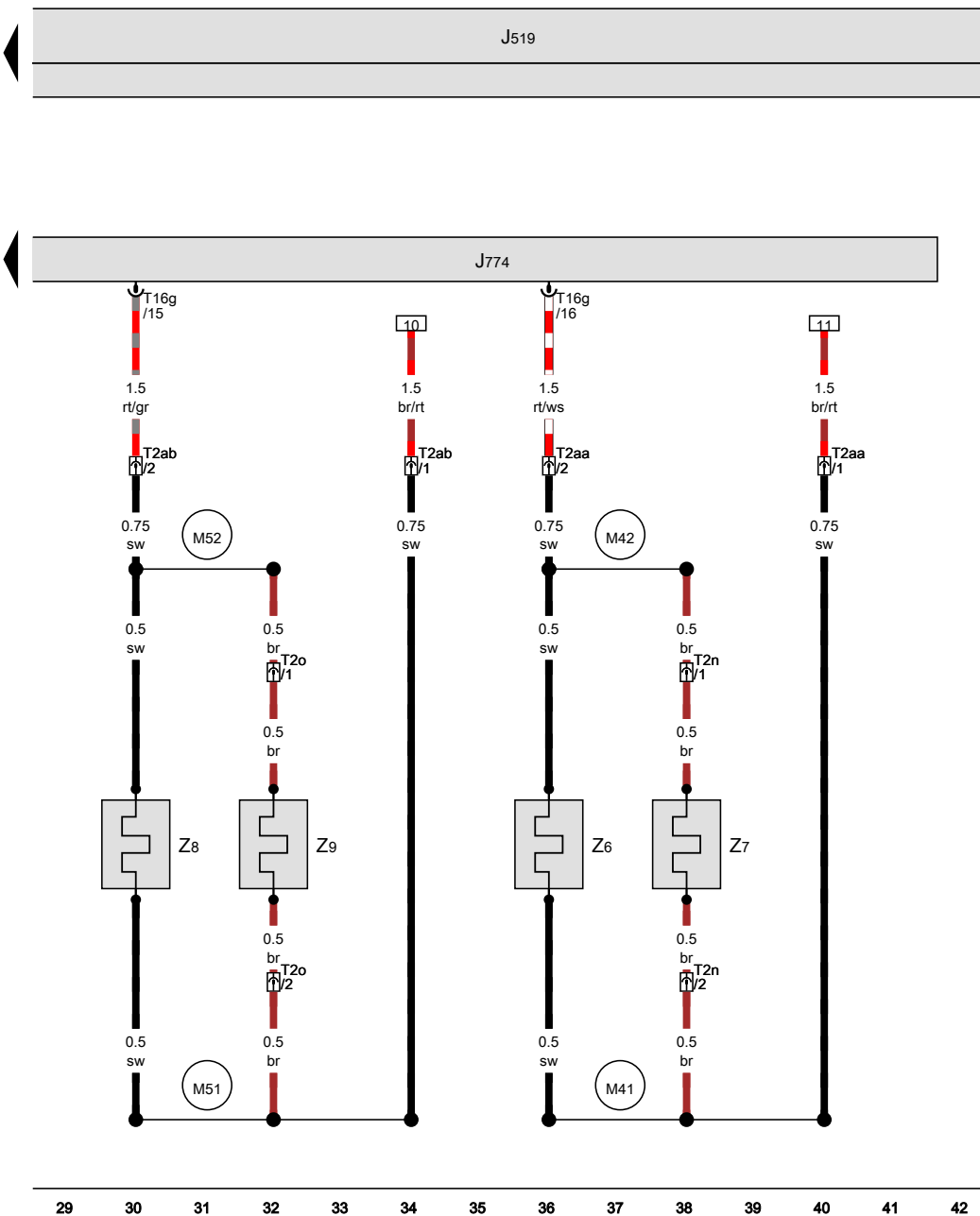


- ws = white
- sw = black
- ro = red
- rt = red
- br = brown
- gn = green
- bl = blue
- gr = grey
- li = purple
- vi = purple
- ge = yellow
- or = orange
- rs = pink

Heated front seats control unit, Heated seat cushion for driver seat, Heated backrest for driver seat, Heated seat cushion for front passenger seat, Heated backrest for front passenger seat

- J519 Onboard supply control unit
- J774 Heated front seats control unit, behind dash panel, centre
- T2aa 2-pin connector, under driver seat, red
- T2ab 2-pin connector, under front passenger seat, red
- T2n 2-pin connector, under driver seat
- T2o 2-pin connector, under front passenger seat
- T16g 16-pin connector
- Z6 Heated seat cushion for driver seat
- Z7 Heated backrest for driver seat
- Z8 Heated seat cushion for front passenger seat
- Z9 Heated backrest for front passenger seat

- M41 Connection 1, in driver seat wiring harness
- M42 Connection 2, in driver seat wiring harness
- M51 Connection 1, in front passenger seat wiring harness
- M52 Connection 2, in front passenger seat wiring harness



- ws = white
- sw = black
- ro = red
- rt = red
- br = brown
- gn = green
- bl = blue
- gr = grey
- li = purple
- vi = purple
- ge = yellow
- or = orange
- rs = pink

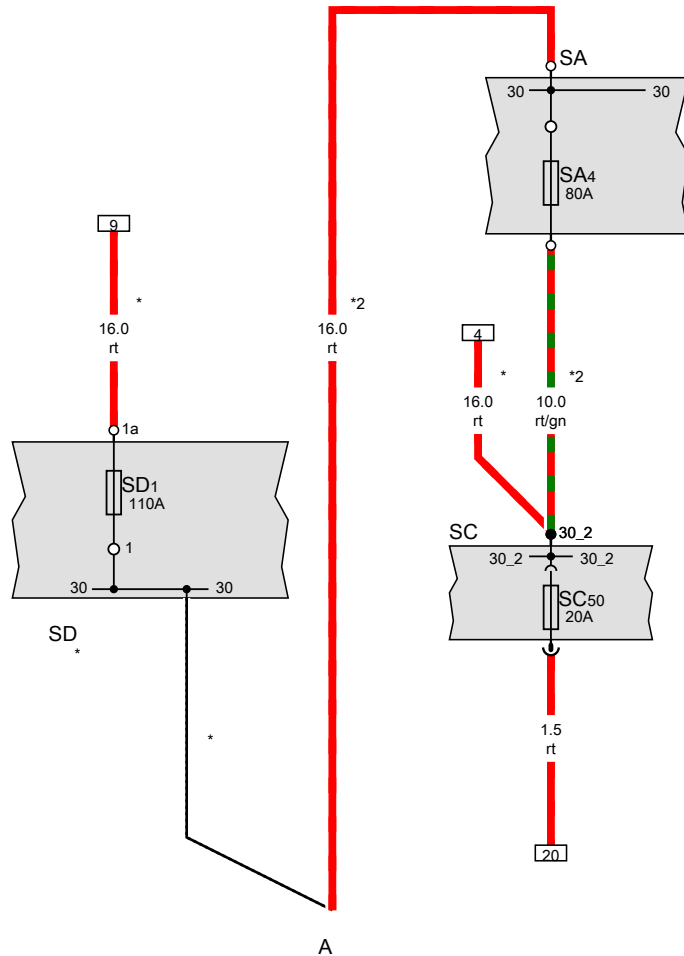
[NH0-120040516]

Preparation for radio , (L0L)

From November 2015

Battery, Fuse holder A, Fuse holder C, Fuse holder D

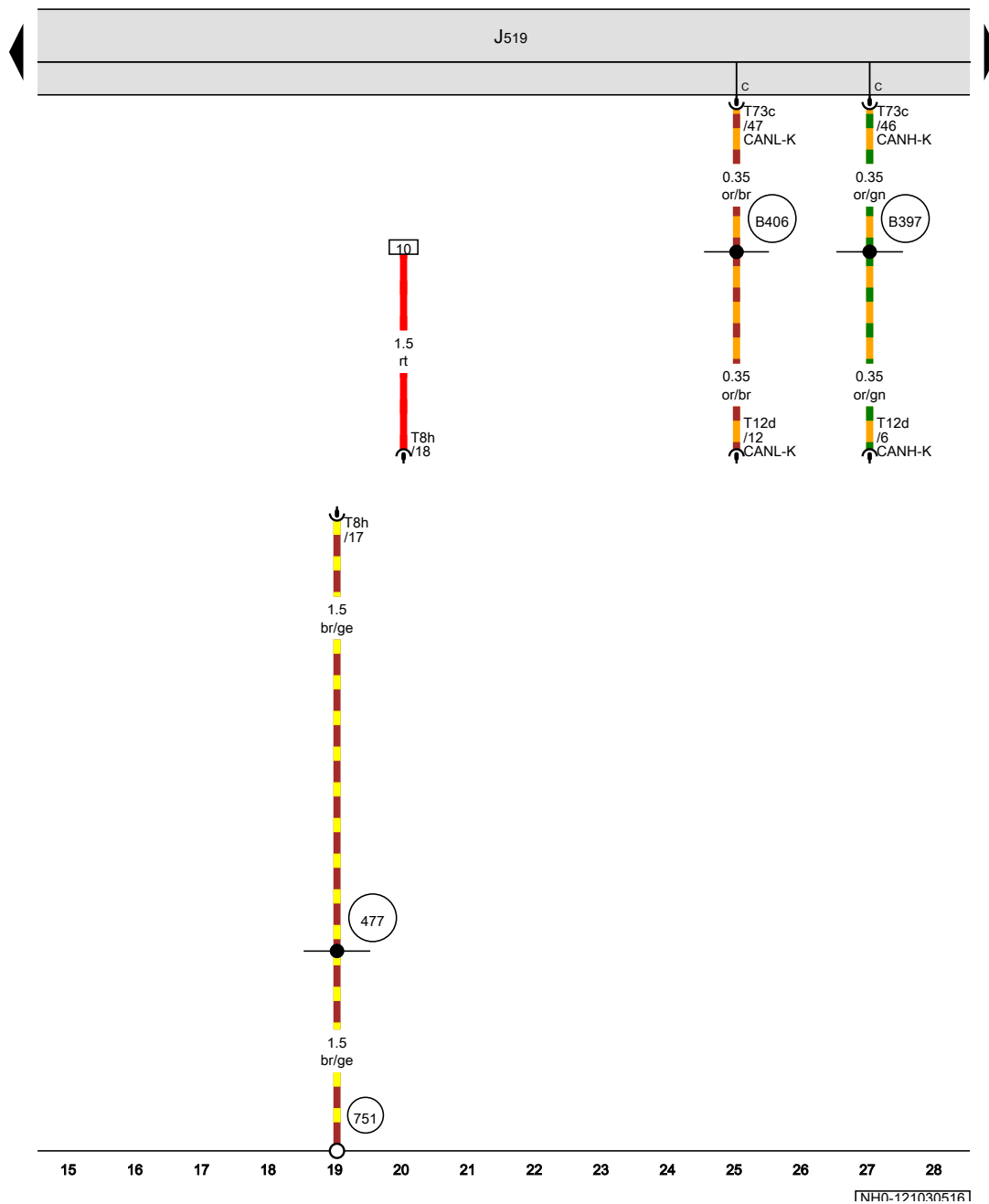
- A Battery
- J519 Onboard supply control unit
- SA Fuse holder A
- SD1 Fuse 1 on fuse holder D
- SA4 Fuse 4 in fuse holder A
- SC Fuse holder C
- SC50 Fuse 50 on fuse holder C
- SD Fuse holder D
- * Only models with battery in luggage compartment
- *2 Only models with battery in engine compartment



- ws = white
- sw = black
- ro = red
- rt = red
- br = brown
- gn = green
- bl = blue
- gr = grey
- li = purple
- vi = purple
- ge = yellow
- or = orange
- rs = pink

1 2 3 4 5 6 7 8 9 10 11 12 13 14

[NH0-121020516]

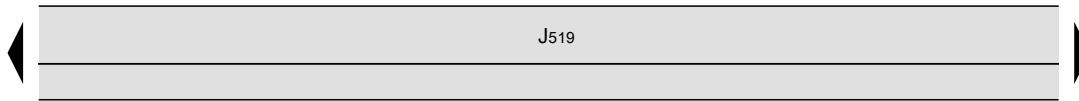


- J519 Onboard supply control unit
- T8h 8-pin connector, black
- T12d 12-pin connector, grey
- T73c 73-pin connector, black

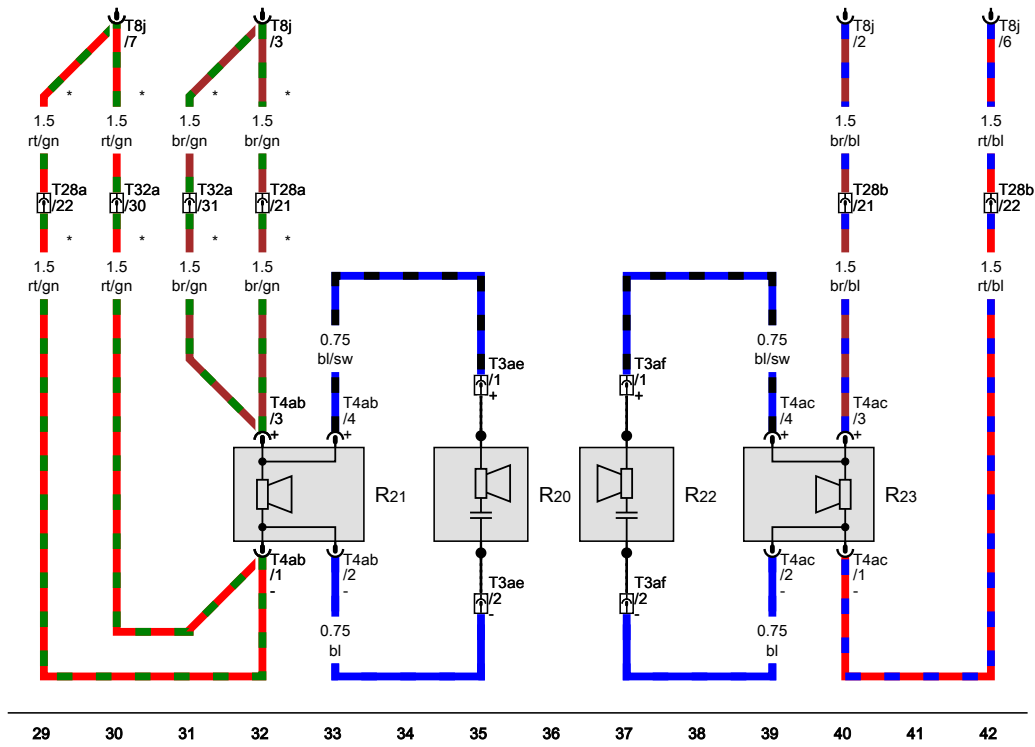
- 477 Earth connection (audio), in main wiring harness
- 751 Earth point 2, on right A-pillar
- B397 Connection 1 (convenience CAN bus, high), in main wiring harness
- B406 Connection 1 (convenience CAN bus, low), in main wiring harness

- ws = white
- sw = black
- ro = red
- rt = red
- br = brown
- gn = green
- bl = blue
- gr = grey
- li = purple
- vi = purple
- ge = yellow
- or = orange
- rs = pink

Front left treble loudspeaker, Front left bass loudspeaker,
Front right treble loudspeaker, Front right bass loudspeaker

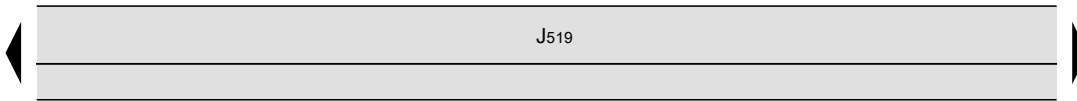


- J519 Onboard supply control unit
- R20 Front left treble loudspeaker
- R21 Front left bass loudspeaker
- R22 Front right treble loudspeaker
- R23 Front right bass loudspeaker
- T3ae 3-pin connector
- T3af 3-pin connector
- T4ab 4-pin connector
- T4ac 4-pin connector
- T8j 8-pin connector, brown
- T28a 28-pin connector, on left A-pillar
- T28b 28-pin connector, on right A-pillar
- T32a 32-pin connector, on left A-pillar
- * According to equipment



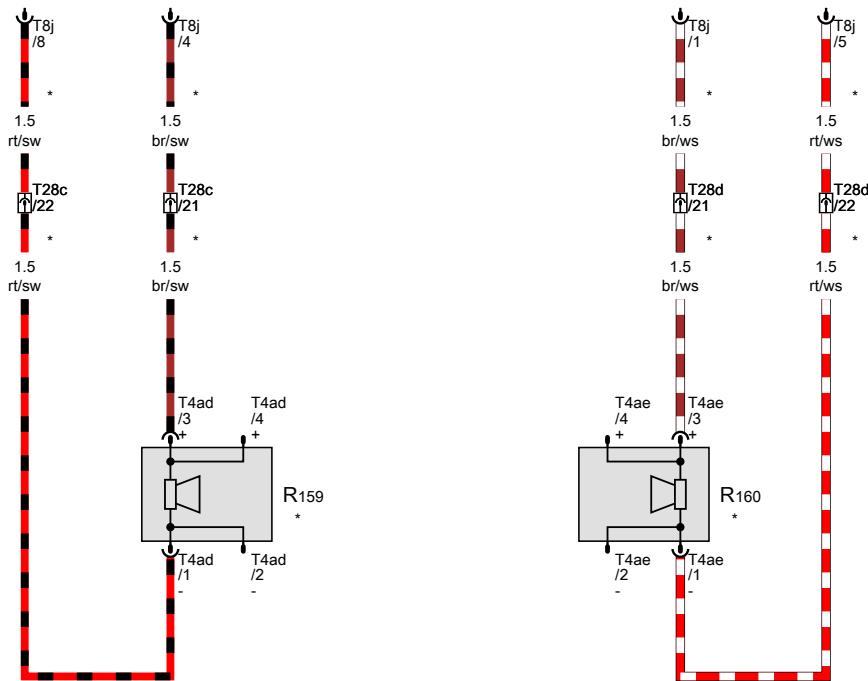
- ws = white
- sw = black
- ro = red
- rt = red
- br = brown
- gn = green
- bl = blue
- gr = grey
- li = purple
- vi = purple
- ge = yellow
- or = orange
- rs = pink

[NH0-121040516]



Rear left mid-range and bass loudspeaker, Rear right mid-range and bass loudspeaker

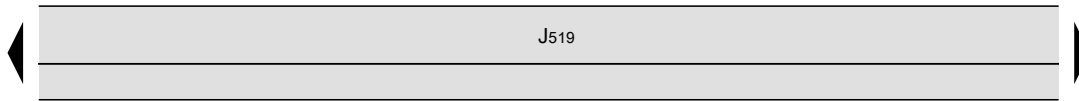
- J519 Onboard supply control unit
- R159 Rear left mid-range and bass loudspeaker
- R160 Rear right mid-range and bass loudspeaker
- T4ad 4-pin connector
- T4ae 4-pin connector
- T8j 8-pin connector, brown
- T28c 28-pin connector, on left B-pillar
- T28d 28-pin connector, on right B-pillar
- * Only models with rear loudspeaker



- ws = white
- sw = black
- ro = red
- rt = red
- br = brown
- gn = green
- bl = blue
- gr = grey
- li = purple
- vi = purple
- ge = yellow
- or = orange
- rs = pink

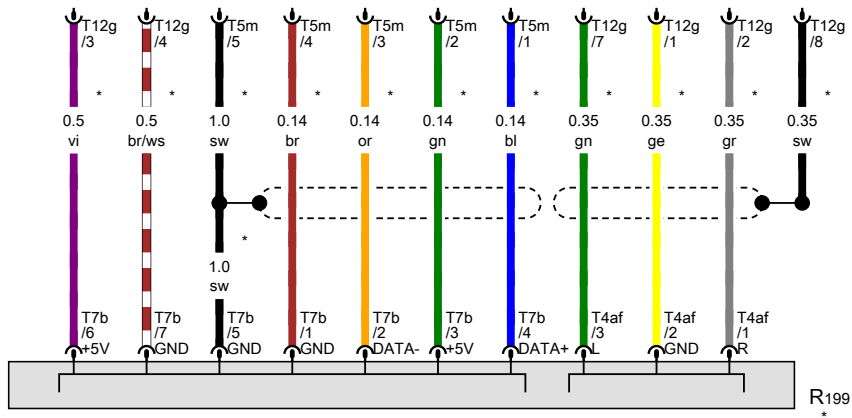
43 44 45 46 47 48 49 50 51 52 53 54 55 56

[NH0-121050516]



Connection for external audio sources

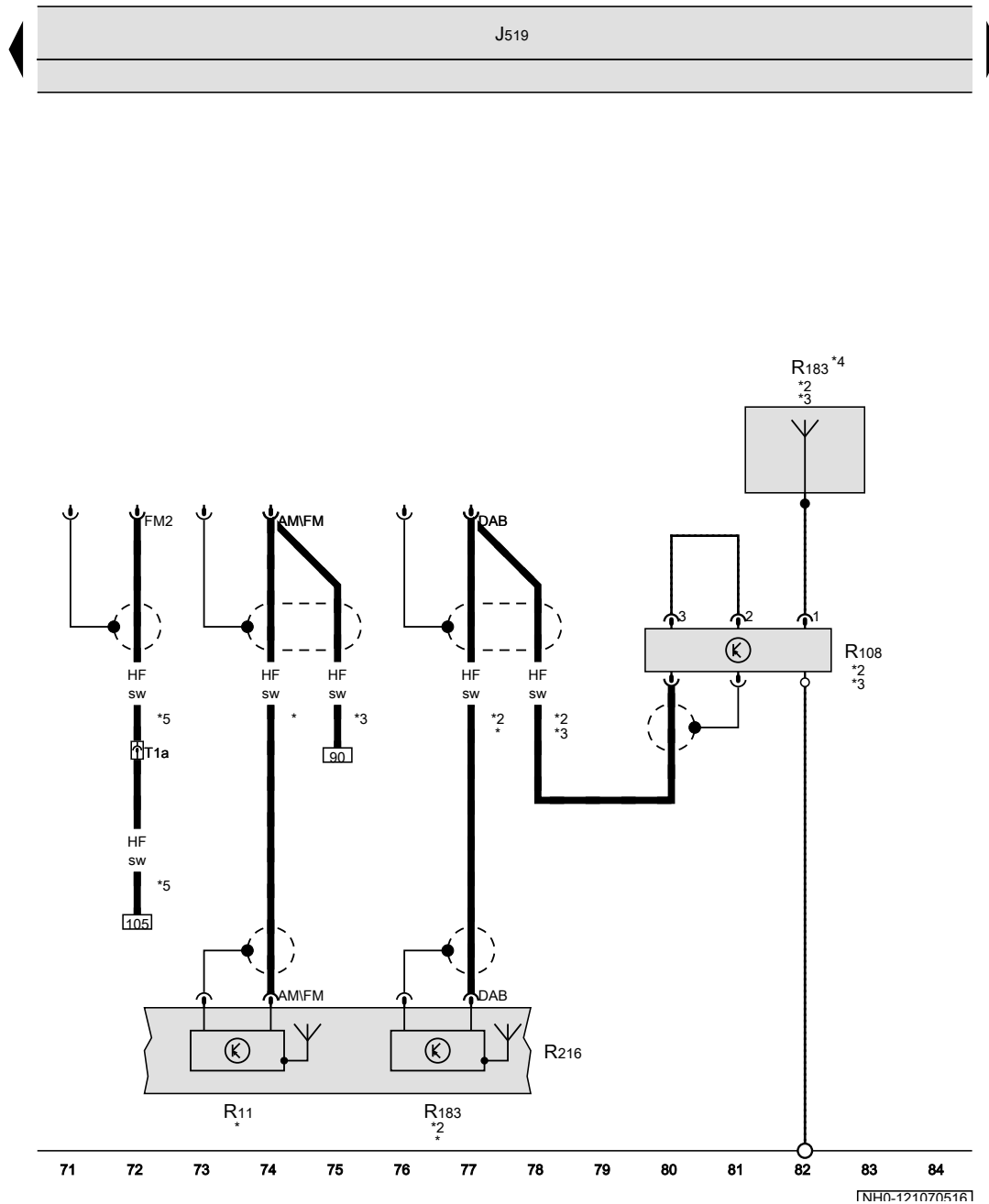
- J519 Onboard supply control unit
- R199 Connection for external audio sources
- T4af 4-pin connector
- T5m 5-pin connector, yellow
- T7b 7-pin connector
- T12g 12-pin connector, green
- * Special equipment



- ws = white
- sw = black
- ro = red
- rt = red
- br = brown
- gn = green
- bl = blue
- gr = grey
- li = purple
- vi = purple
- ge = yellow
- or = orange
- rs = pink

Left aerial module, Digital radio aerial, Roof aerial

- J519 Onboard supply control unit
- R11 Aerial
- R108 Left aerial module
- R183 Digital radio aerial
- R216 Roof aerial
- T1a Single connector, on right in luggage compartment
- * Only models with no glass roof
- *2 Special equipment
- *3 Only models with glass roof
- *4 Left side window aerial
- *5 Only models with rear window aerial

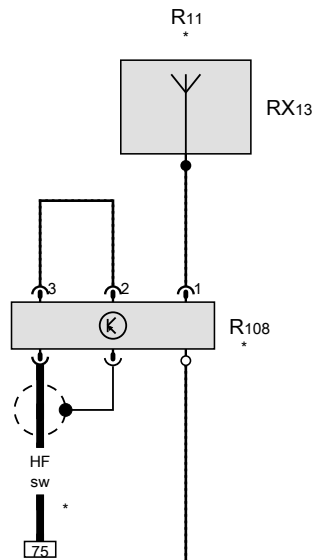
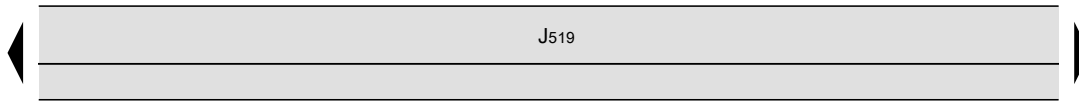


- ws = white
- sw = black
- ro = red
- rt = red
- br = brown
- gn = green
- bl = blue
- gr = grey
- li = purple
- vi = purple
- ge = yellow
- or = orange
- rs = pink

[NH0-121070516]

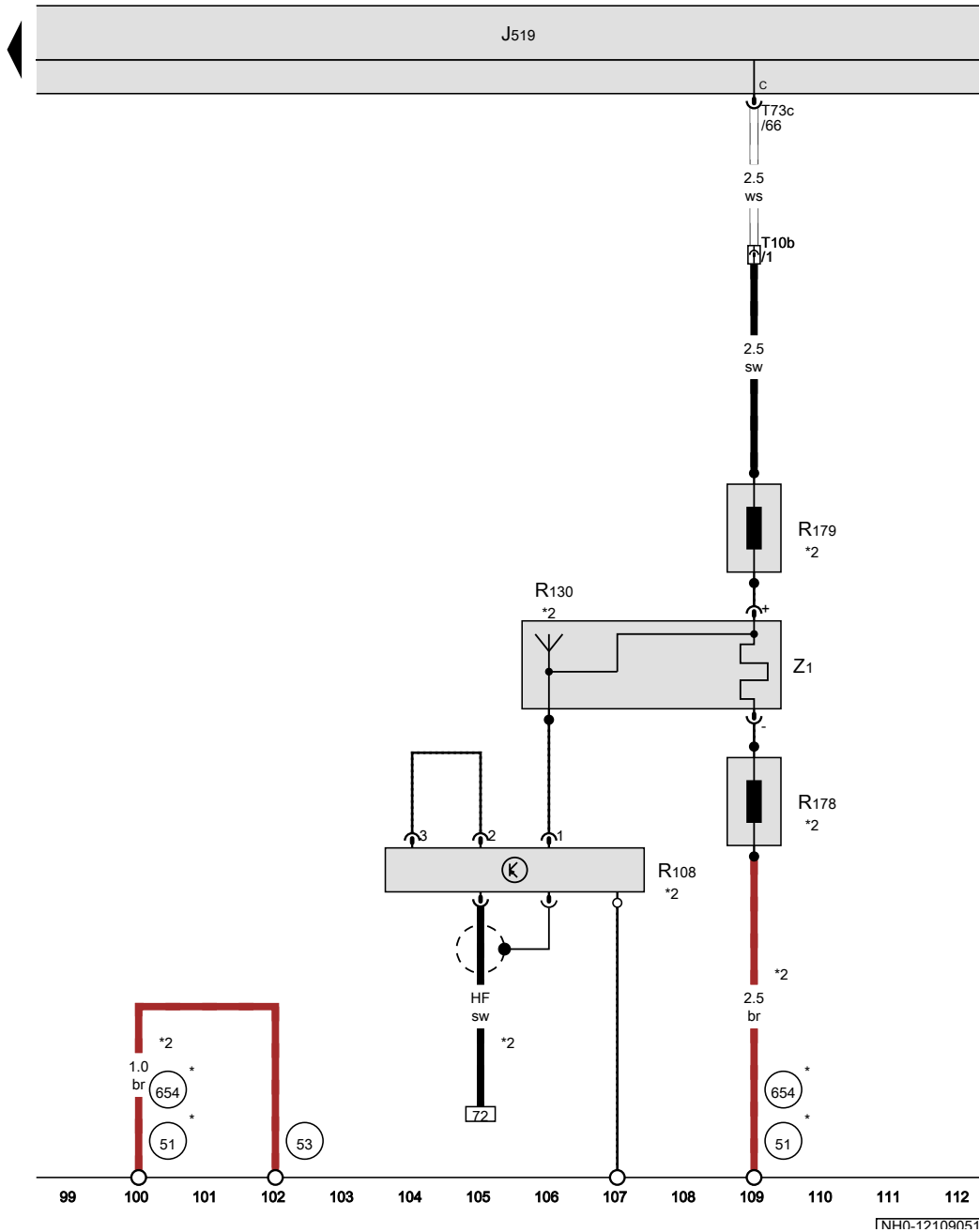
Aerial, Left aerial module

- J519 Onboard supply control unit
- R11 Aerial
- RX13 Glass roof
- R108 Left aerial module, under roof trim
- * Only models with glass roof



[NH0-121080516]

- ws = white
- sw = black
- ro = red
- rt = red
- br = brown
- gn = green
- bl = blue
- gr = grey
- li = purple
- vi = purple
- ge = yellow
- or = orange
- rs = pink



Left aerial module, Rear window aerial 1, Frequency modulation (FM) frequency filter in negative wire, Frequency modulation (FM) frequency filter in positive wire, Heated rear window

- J519 Onboard supply control unit
- R108 Left aerial module
- R130 Rear window aerial 1
- R178 Frequency modulation (FM) frequency filter in negative wire
- R179 Frequency modulation (FM) frequency filter in positive wire
- T10b 10-pin connector
- T73c 73-pin connector, black
- Z1 Heated rear window

- 51 Earth point, on right in luggage compartment
- 53 Earth point, on right in rear lid
- 654 Earth point, on right D-pillar

* see fitting locations
 *2 Only models with rear window aerial

- ws = white
- sw = black
- ro = red
- rt = red
- br = brown
- gn = green
- bl = blue
- gr = grey
- li = purple
- vi = purple
- ge = yellow
- or = orange
- rs = pink

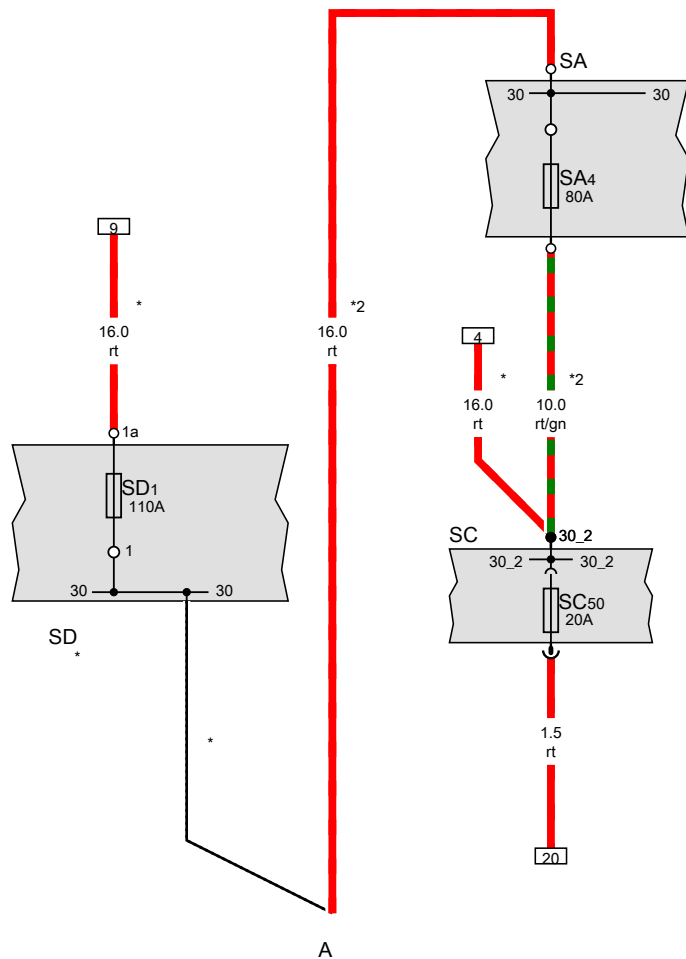
1NH0-1210905161

Preparation for radio , (L0R)

From November 2015

Battery, Fuse holder A, Fuse holder C, Fuse holder D

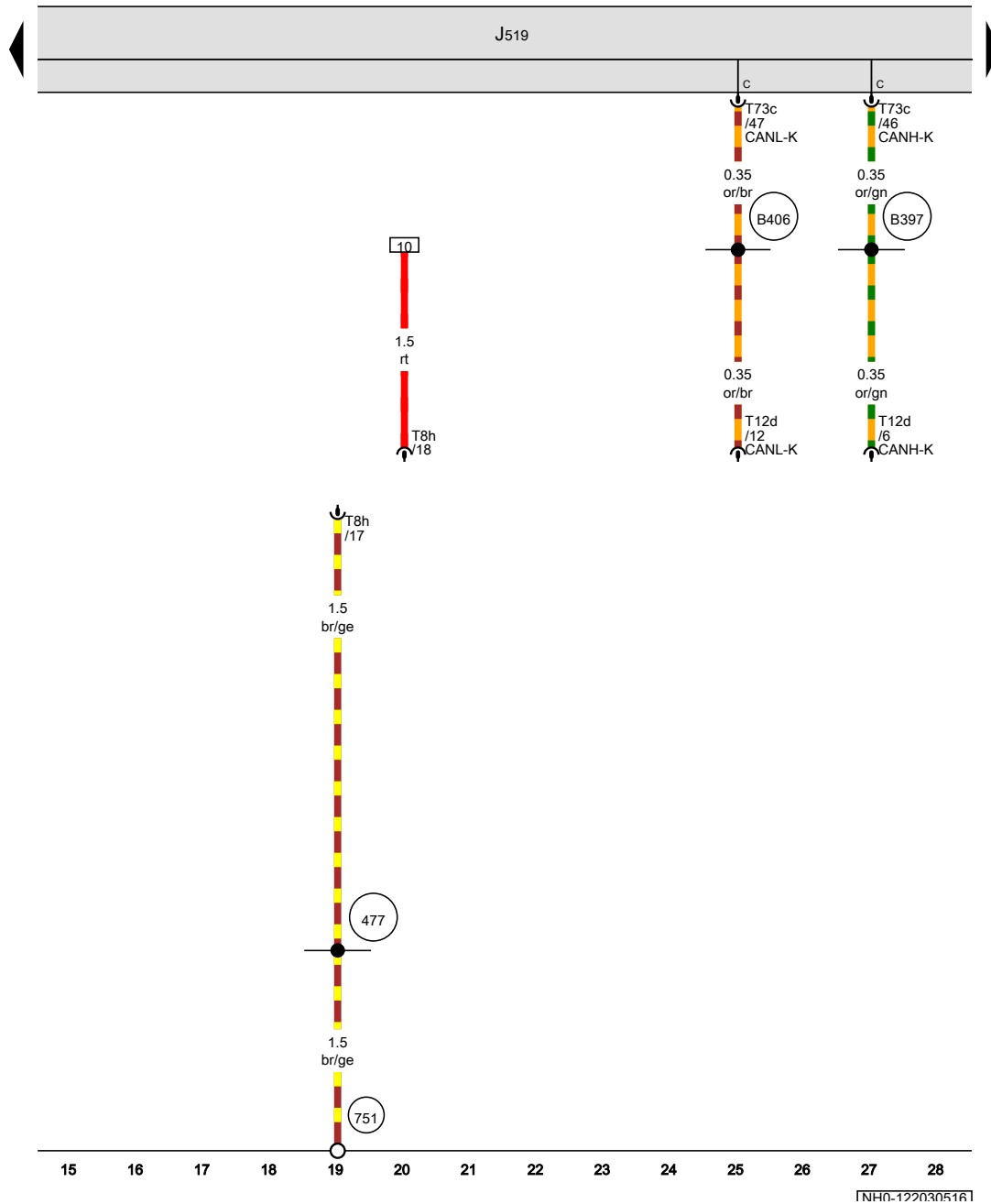
- A Battery
- J519 Onboard supply control unit
- SA Fuse holder A
- SD1 Fuse 1 on fuse holder D
- SA4 Fuse 4 in fuse holder A
- SC Fuse holder C
- SC50 Fuse 50 on fuse holder C
- SD Fuse holder D
- * Only models with battery in luggage compartment
- *2 Only models with battery in engine compartment



- ws = white
- sw = black
- ro = red
- rt = red
- br = brown
- gn = green
- bl = blue
- gr = grey
- li = purple
- vi = purple
- ge = yellow
- or = orange
- rs = pink

1 2 3 4 5 6 7 8 9 10 11 12 13 14

[NH0-122020516]



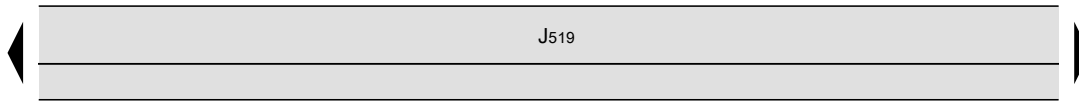
- J519 Onboard supply control unit
- T8h 8-pin connector, black
- T12d 12-pin connector, grey
- T73c 73-pin connector, black

- 477 Earth connection (audio), in main wiring harness
- 751 Earth point 2, on right A-pillar
- B397 Connection 1 (convenience CAN bus, high), in main wiring harness
- B406 Connection 1 (convenience CAN bus, low), in main wiring harness

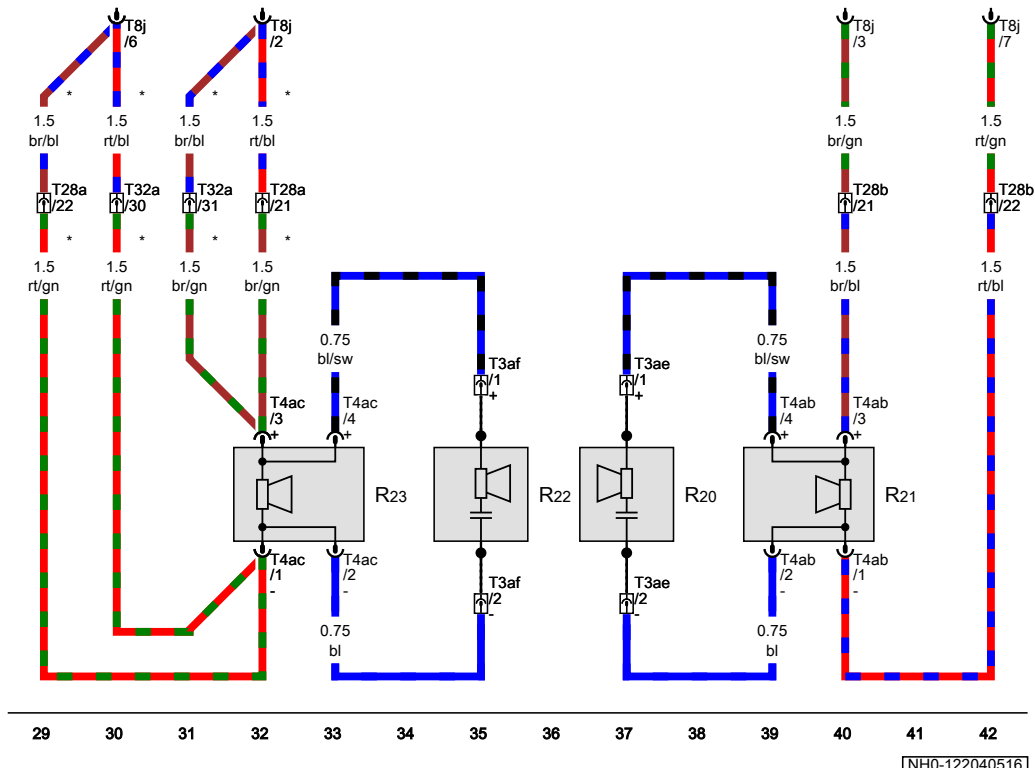
- ws = white
- sw = black
- ro = red
- rt = red
- br = brown
- gn = green
- bl = blue
- gr = grey
- li = purple
- vi = purple
- ge = yellow
- or = orange
- rs = pink

[NH0-122030516]

Front left treble loudspeaker, Front left bass loudspeaker,
Front right treble loudspeaker, Front right bass loudspeaker

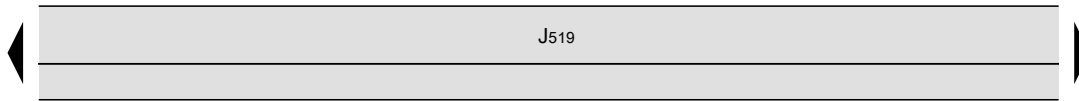


- J519 Onboard supply control unit
- R20 Front left treble loudspeaker
- R21 Front left bass loudspeaker
- R22 Front right treble loudspeaker
- R23 Front right bass loudspeaker
- T3ae 3-pin connector
- T3af 3-pin connector
- T4ab 4-pin connector
- T4ac 4-pin connector
- T8j 8-pin connector, brown
- T28a 28-pin connector, on right A-pillar
- T28b 28-pin connector, on left A-pillar
- T32a 32-pin connector, on right A-pillar
- * According to equipment



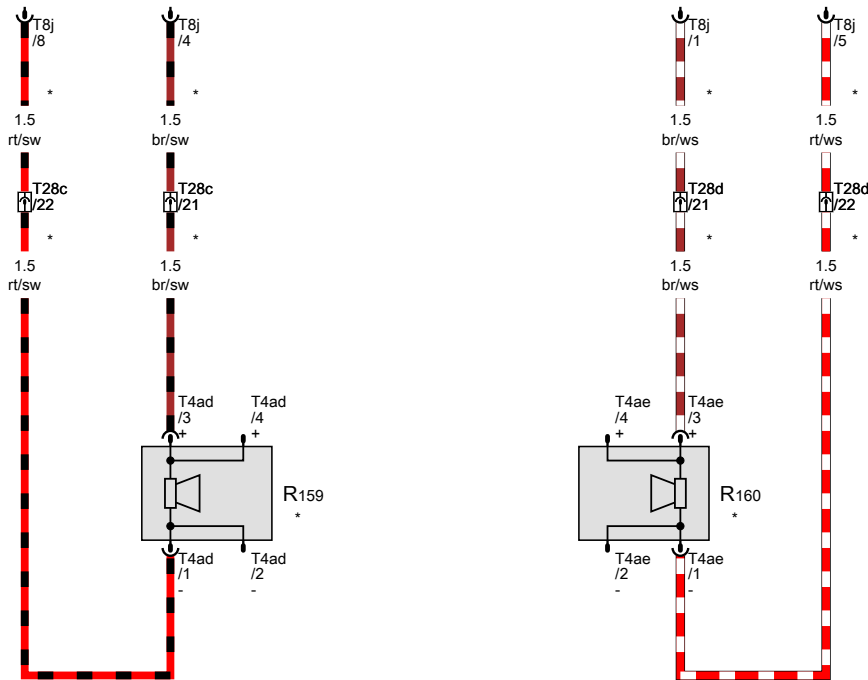
- ws = white
- sw = black
- ro = red
- rt = red
- br = brown
- gn = green
- bl = blue
- gr = grey
- li = purple
- vi = purple
- ge = yellow
- or = orange
- rs = pink

[NH0-122040516]



Rear left mid-range and bass loudspeaker, Rear right mid-range and bass loudspeaker

- J519 Onboard supply control unit
- R159 Rear left mid-range and bass loudspeaker
- R160 Rear right mid-range and bass loudspeaker
- T4ad 4-pin connector
- T4ae 4-pin connector
- T8j 8-pin connector, brown
- T28c 28-pin connector, on left B-pillar
- T28d 28-pin connector, on right B-pillar
- * Only models with rear loudspeaker



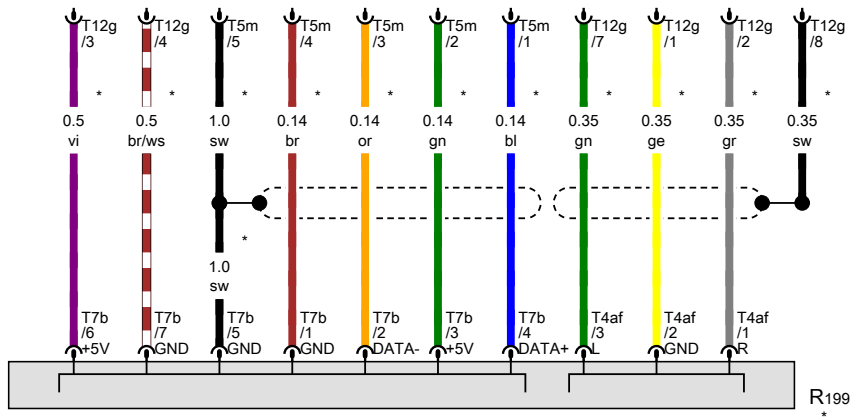
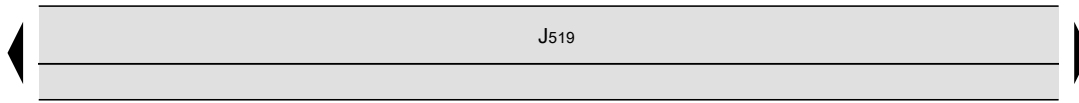
- ws = white
- sw = black
- ro = red
- rt = red
- br = brown
- gn = green
- bl = blue
- gr = grey
- li = purple
- vi = purple
- ge = yellow
- or = orange
- rs = pink

43 44 45 46 47 48 49 50 51 52 53 54 55 56

[NH0-122050516]

Connection for external audio sources

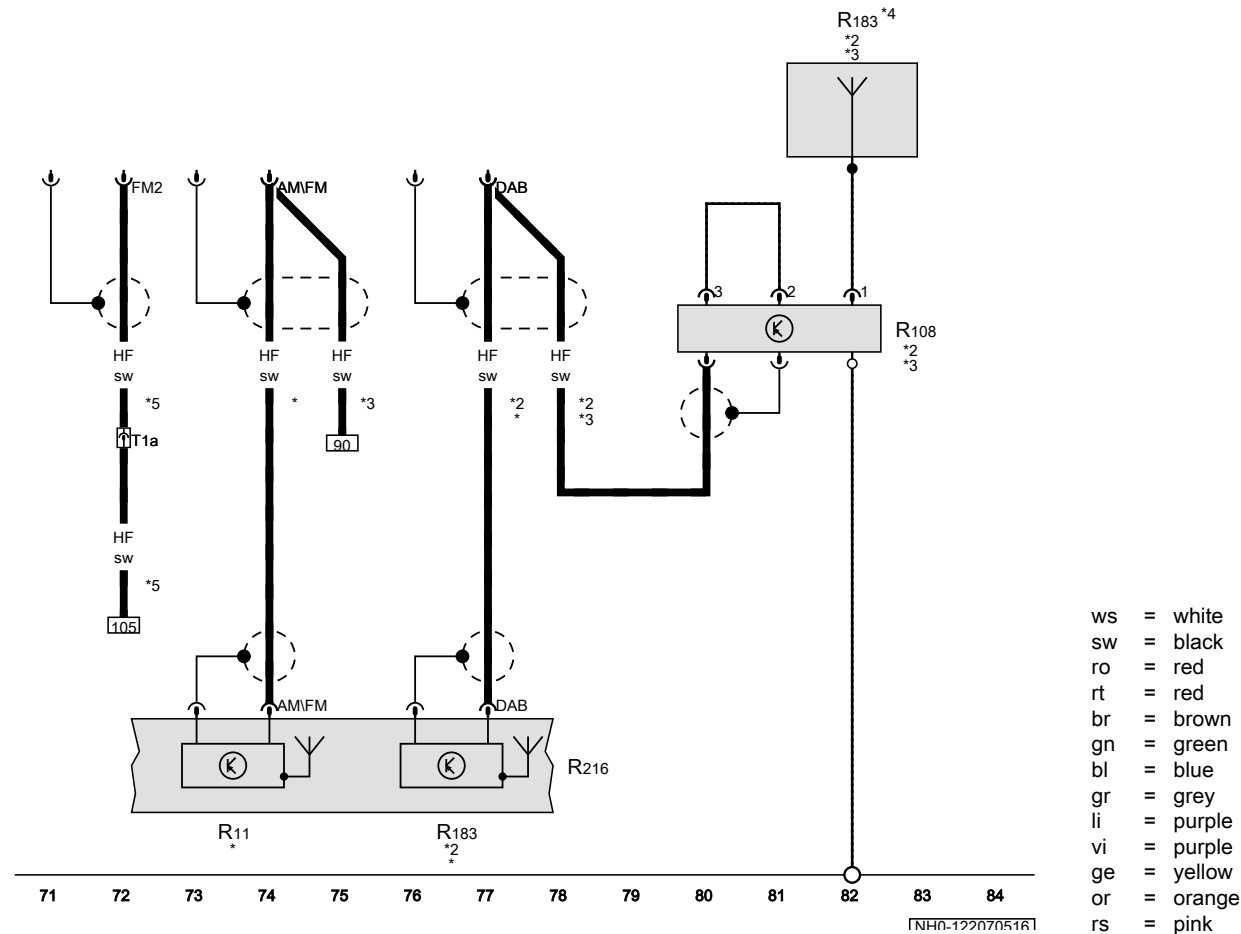
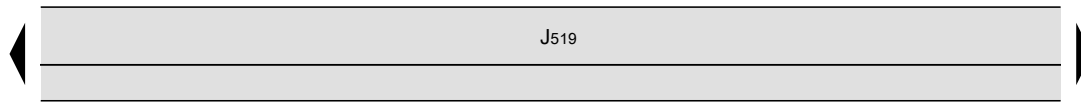
- J519 Onboard supply control unit
- R199 Connection for external audio sources
- T4af 4-pin connector
- T5m 5-pin connector, yellow
- T7b 7-pin connector
- T12g 12-pin connector, green
- * Special equipment



- ws = white
- sw = black
- ro = red
- rt = red
- br = brown
- gn = green
- bl = blue
- gr = grey
- li = purple
- vi = purple
- ge = yellow
- or = orange
- rs = pink

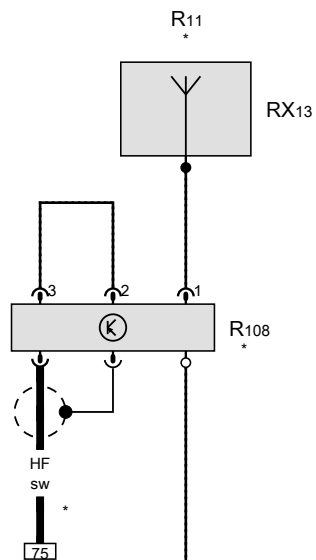
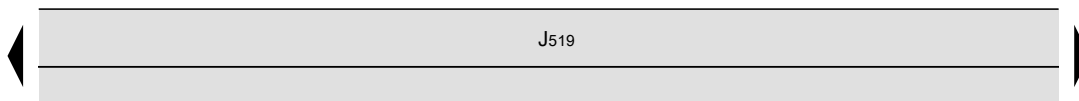
Left aerial module, Digital radio aerial, Roof aerial

- J519 Onboard supply control unit
- R11 Aerial
- R108 Left aerial module
- R183 Digital radio aerial
- R216 Roof aerial
- T1a Single connector, on right in luggage compartment
- * Only models with no glass roof
- *2 Special equipment
- *3 Only models with glass roof
- *4 Left side window aerial
- *5 Only models with rear window aerial



Aerial, Left aerial module

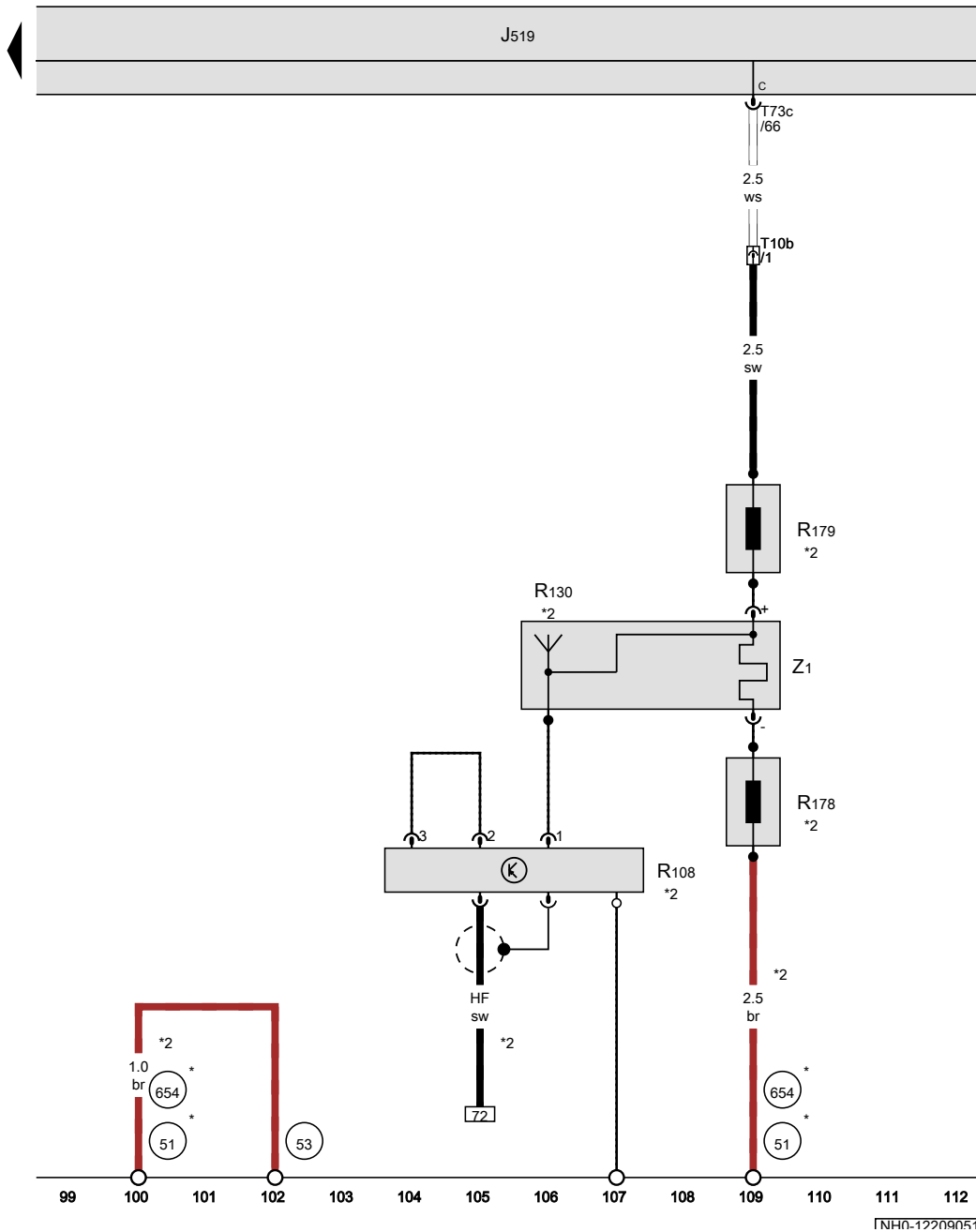
- J519 Onboard supply control unit
- R11 Aerial
- RX13 Glass roof
- R108 Left aerial module, under roof trim
- * Only models with glass roof



85 86 87 88 89 90 91 92 93 94 95 96 97 98

[NH0-122080516]

- ws = white
- sw = black
- ro = red
- rt = red
- br = brown
- gn = green
- bl = blue
- gr = grey
- li = purple
- vi = purple
- ge = yellow
- or = orange
- rs = pink



Left aerial module, Rear window aerial 1, Frequency modulation (FM) frequency filter in negative wire, Frequency modulation (FM) frequency filter in positive wire, Heated rear window

- J519 Onboard supply control unit
- R108 Left aerial module
- R130 Rear window aerial 1
- R178 Frequency modulation (FM) frequency filter in negative wire
- R179 Frequency modulation (FM) frequency filter in positive wire
- T10b 10-pin connector
- T73c 73-pin connector, black
- Z1 Heated rear window

- 51 Earth point, on right in luggage compartment
- 53 Earth point, on right in rear lid
- 654 Earth point, on right D-pillar

* see fitting locations
 *2 Only models with rear window aerial

- ws = white
- sw = black
- ro = red
- rt = red
- br = brown
- gn = green
- bl = blue
- gr = grey
- li = purple
- vi = purple
- ge = yellow
- or = orange
- rs = pink

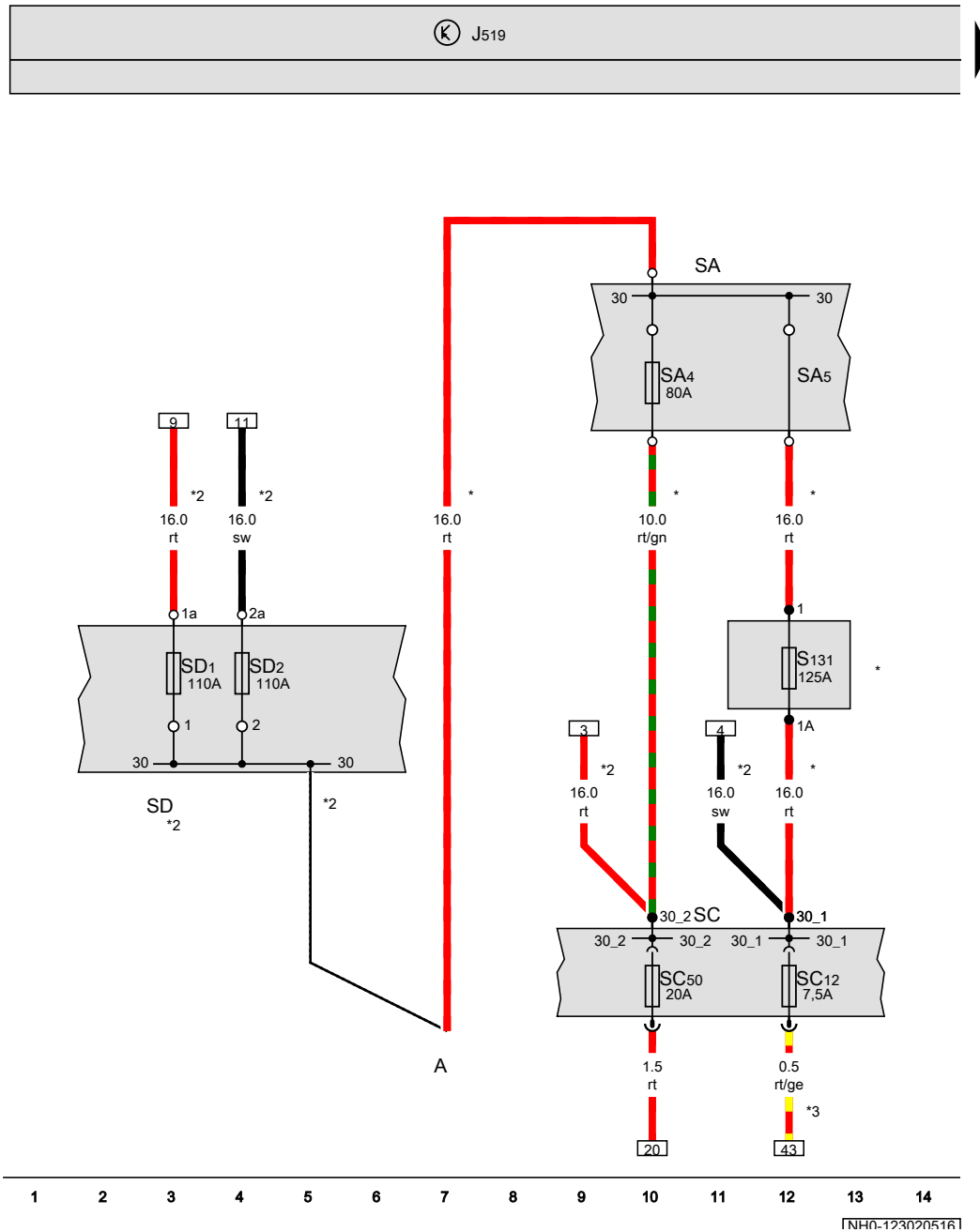
1NH0-1220905161

Radio system , (L0L)

From November 2015

Battery, Fuse holder A, Fuse holder C, Fuse holder D

- A Battery
- J519 Onboard supply control unit
- SA Fuse holder A
- SC Fuse holder C
- SD1 Fuse 1 on fuse holder D
- SD2 Fuse 2 on fuse holder D
- SA4 Fuse 4 in fuse holder A
- SA5 Fuse 5 in fuse holder A
- SC12 Fuse 12 on fuse holder C
- SC50 Fuse 50 on fuse holder C
- S131 Fuse 1, in main wiring harness
- SD Fuse holder D
- * Only models with battery in engine compartment
- *2 Only models with battery in luggage compartment
- *3 According to equipment



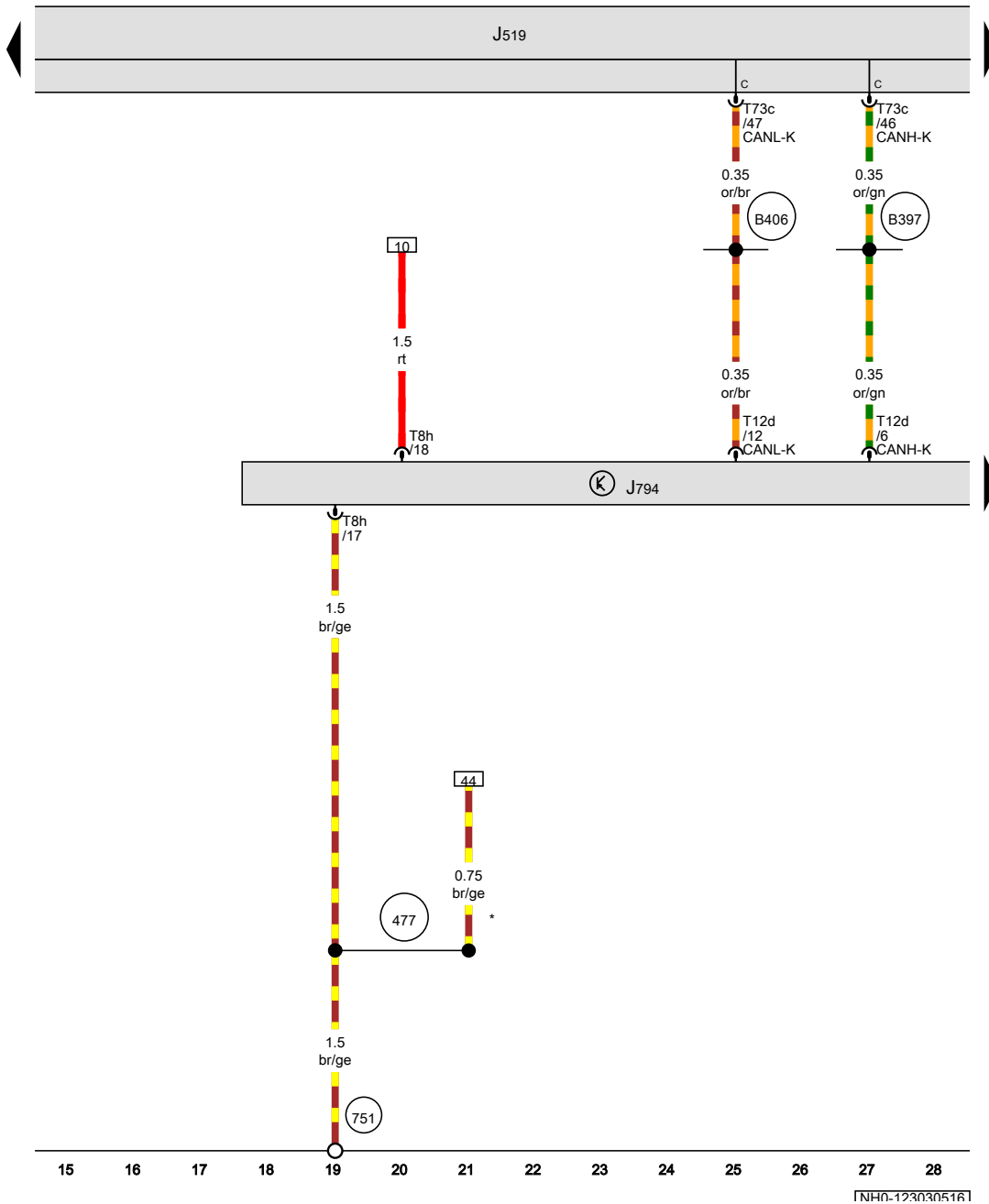
- ws = white
- sw = black
- ro = red
- rt = red
- br = brown
- gn = green
- bl = blue
- gr = grey
- li = purple
- vi = purple
- ge = yellow
- or = orange
- rs = pink

[NH0-123020516]

Control unit 1 for information electronics

- J519 Onboard supply control unit
- J794 Control unit 1 for information electronics
- T8h 8-pin connector, black
- T12d 12-pin connector, grey
- T73c 73-pin connector, black

- 477 Earth connection (audio), in main wiring harness
- 751 Earth point 2, on right A-pillar
- B397 Connection 1 (convenience CAN bus, high), in main wiring harness
- B406 Connection 1 (convenience CAN bus, low), in main wiring harness
- * According to equipment

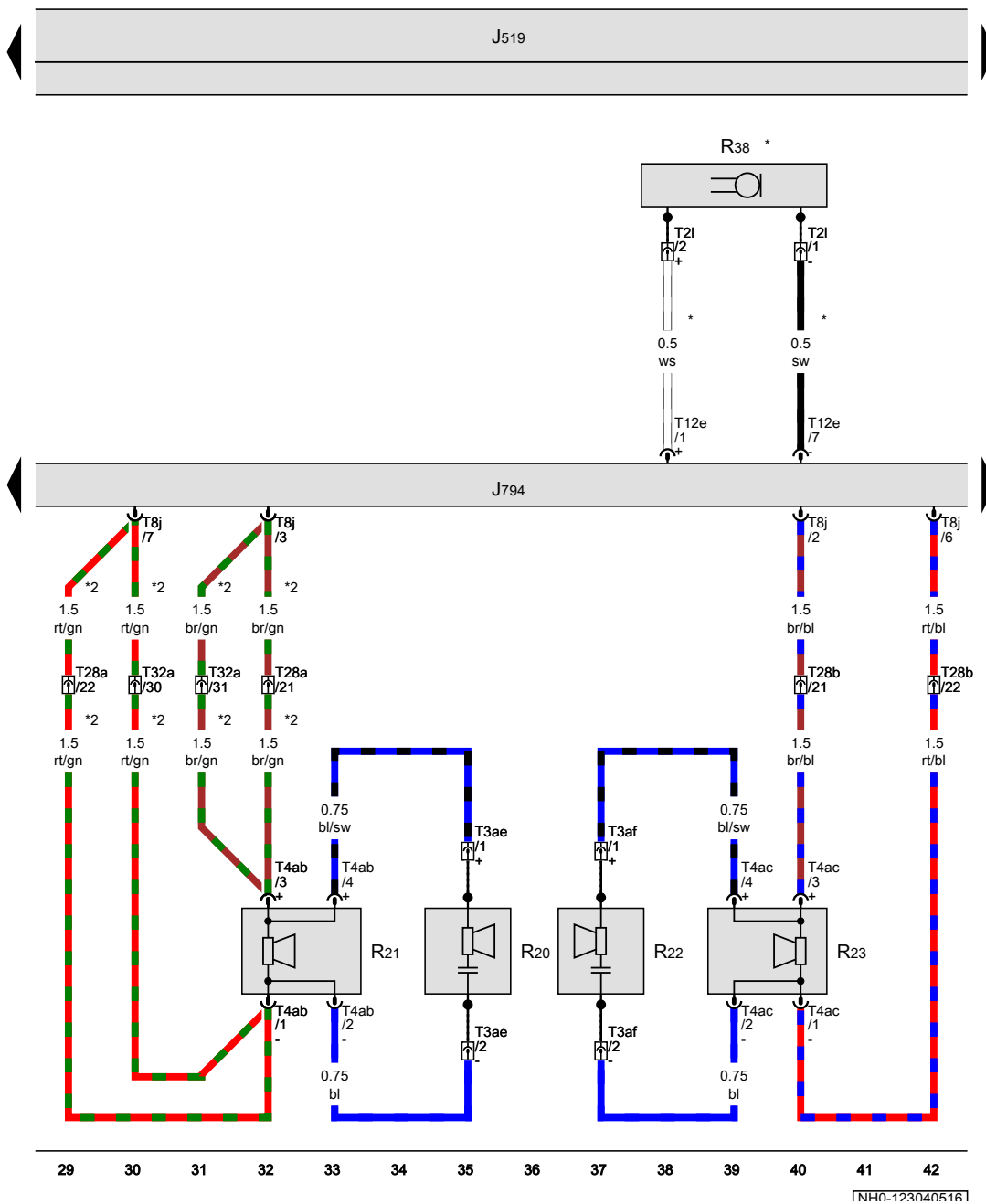


- ws = white
- sw = black
- ro = red
- rt = red
- br = brown
- gn = green
- bl = blue
- gr = grey
- li = purple
- vi = purple
- ge = yellow
- or = orange
- rs = pink

[NH0-123030516]

Control unit 1 for information electronics, Front left treble loudspeaker, Front left bass loudspeaker, Front right treble loudspeaker, Front right bass loudspeaker, Telephone microphone

- J519 Onboard supply control unit
- J794 Control unit 1 for information electronics
- R20 Front left treble loudspeaker
- R21 Front left bass loudspeaker
- R22 Front right treble loudspeaker
- R23 Front right bass loudspeaker
- R38 Telephone microphone
- T2l 2-pin connector
- T3ae 3-pin connector
- T3af 3-pin connector
- T4ab 4-pin connector
- T4ac 4-pin connector
- T8j 8-pin connector, brown
- T12e 12-pin connector, blue
- T28a 28-pin connector, on left A-pillar
- T28b 28-pin connector, on right A-pillar
- T32a 32-pin connector, on left A-pillar
- * Special equipment
- *2 According to equipment

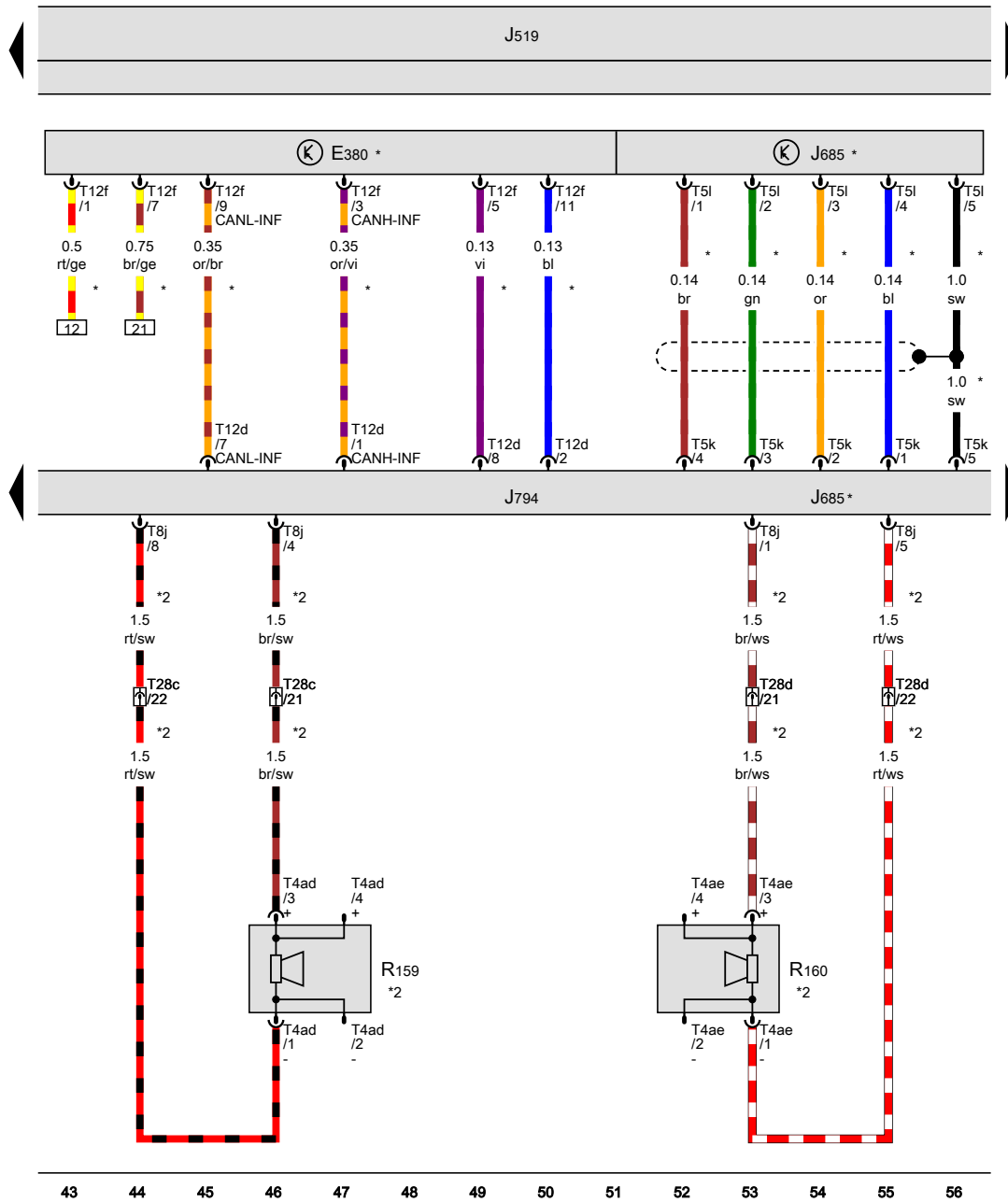


- ws = white
- sw = black
- ro = red
- rt = red
- br = brown
- gn = green
- bl = blue
- gr = grey
- li = purple
- vi = purple
- ge = yellow
- or = orange
- rs = pink

[NH0-123040516]

Multimedia system operating unit, Display unit for front information display and operating unit control unit, Control unit 1 for information electronics, Rear left mid-range and bass loudspeaker, Rear right mid-range and bass loudspeaker

- E380 Multimedia system operating unit
- J519 Onboard supply control unit
- J685 Display unit for front information display and operating unit control unit
- J794 Control unit 1 for information electronics
- R159 Rear left mid-range and bass loudspeaker
- R160 Rear right mid-range and bass loudspeaker
- T4ad 4-pin connector
- T4ae 4-pin connector
- T5k 5-pin connector, pink
- T5l 5-pin connector, blue
- T8j 8-pin connector, brown
- T12d 12-pin connector, grey
- T12f 12-pin connector, black
- T28c 28-pin connector, on left B-pillar
- T28d 28-pin connector, on right B-pillar
- * According to equipment
- *2 Only models with rear loudspeaker

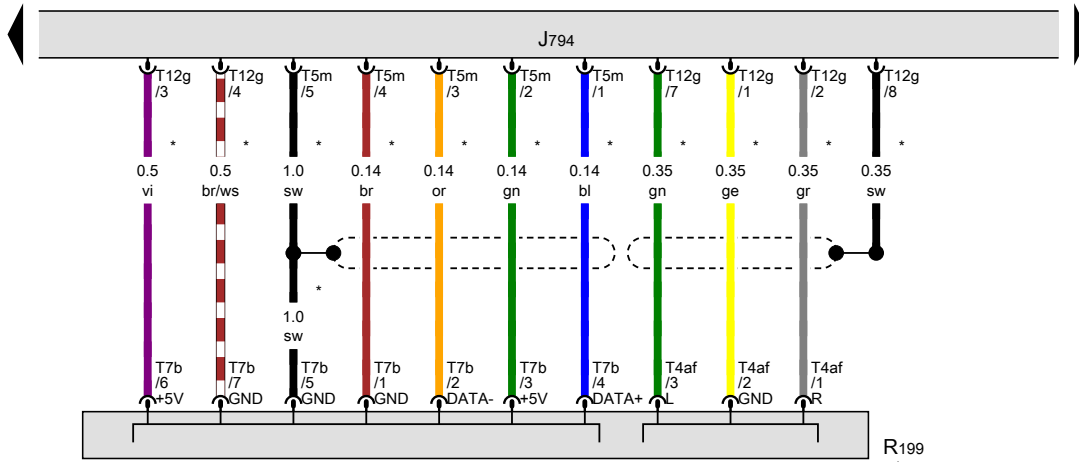
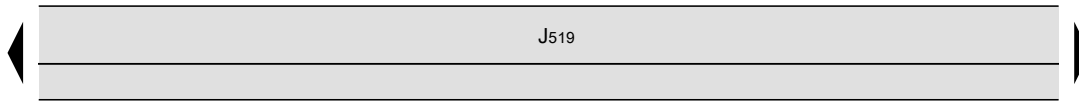


- ws = white
- sw = black
- ro = red
- rt = red
- br = brown
- gn = green
- bl = blue
- gr = grey
- li = purple
- vi = purple
- ge = yellow
- or = orange
- rs = pink

[NH0-123050516]

Control unit 1 for information electronics, Connection for external audio sources

- J519 Onboard supply control unit
- J794 Control unit 1 for information electronics
- R199 Connection for external audio sources
- T4af 4-pin connector
- T5m 5-pin connector, yellow
- T7b 7-pin connector
- T12g 12-pin connector, green
- * Special equipment



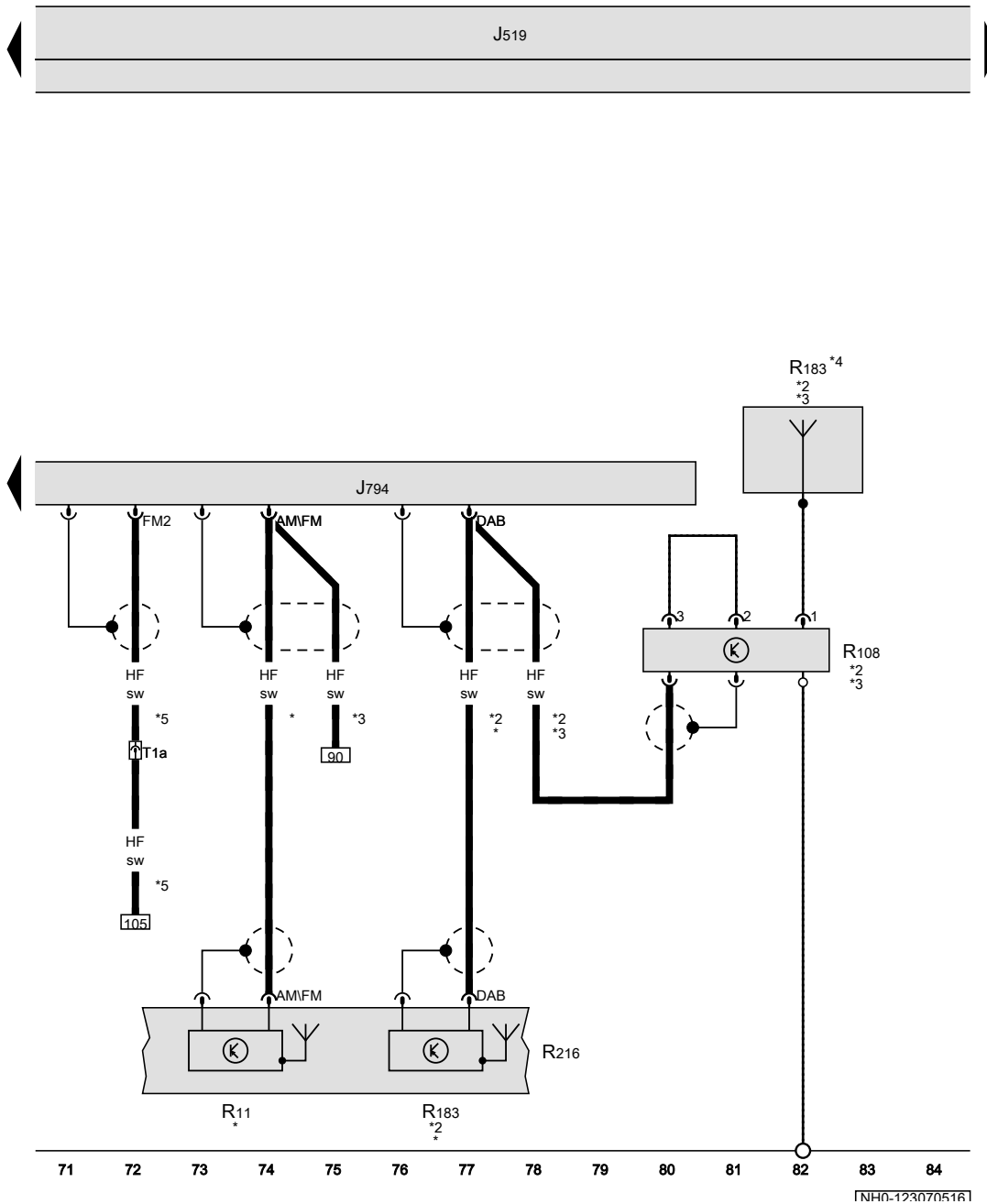
- ws = white
- sw = black
- ro = red
- rt = red
- br = brown
- gn = green
- bl = blue
- gr = grey
- li = purple
- vi = purple
- ge = yellow
- or = orange
- rs = pink

57 58 59 60 61 62 63 64 65 66 67 68 69 70

[NH0-123060516]

Control unit 1 for information electronics, Left aerial module, Digital radio aerial, Roof aerial

- J519 Onboard supply control unit
- J794 Control unit 1 for information electronics
- R11 Aerial
- R108 Left aerial module
- R183 Digital radio aerial
- R216 Roof aerial
- T1a Single connector, on right in luggage compartment
- * Only models with no glass roof
- *2 Special equipment
- *3 Only models with glass roof
- *4 Left side window aerial
- *5 Only models with rear window aerial

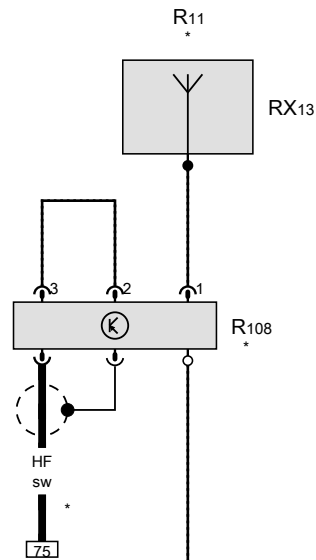
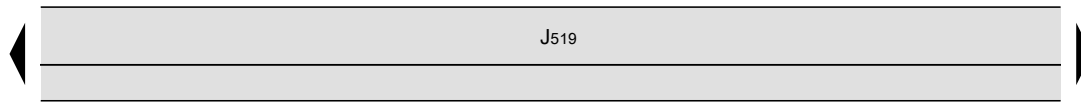


- ws = white
- sw = black
- ro = red
- rt = red
- br = brown
- gn = green
- bl = blue
- gr = grey
- li = purple
- vi = purple
- ge = yellow
- or = orange
- rs = pink

[NH0-123070516]

Aerial, Left aerial module

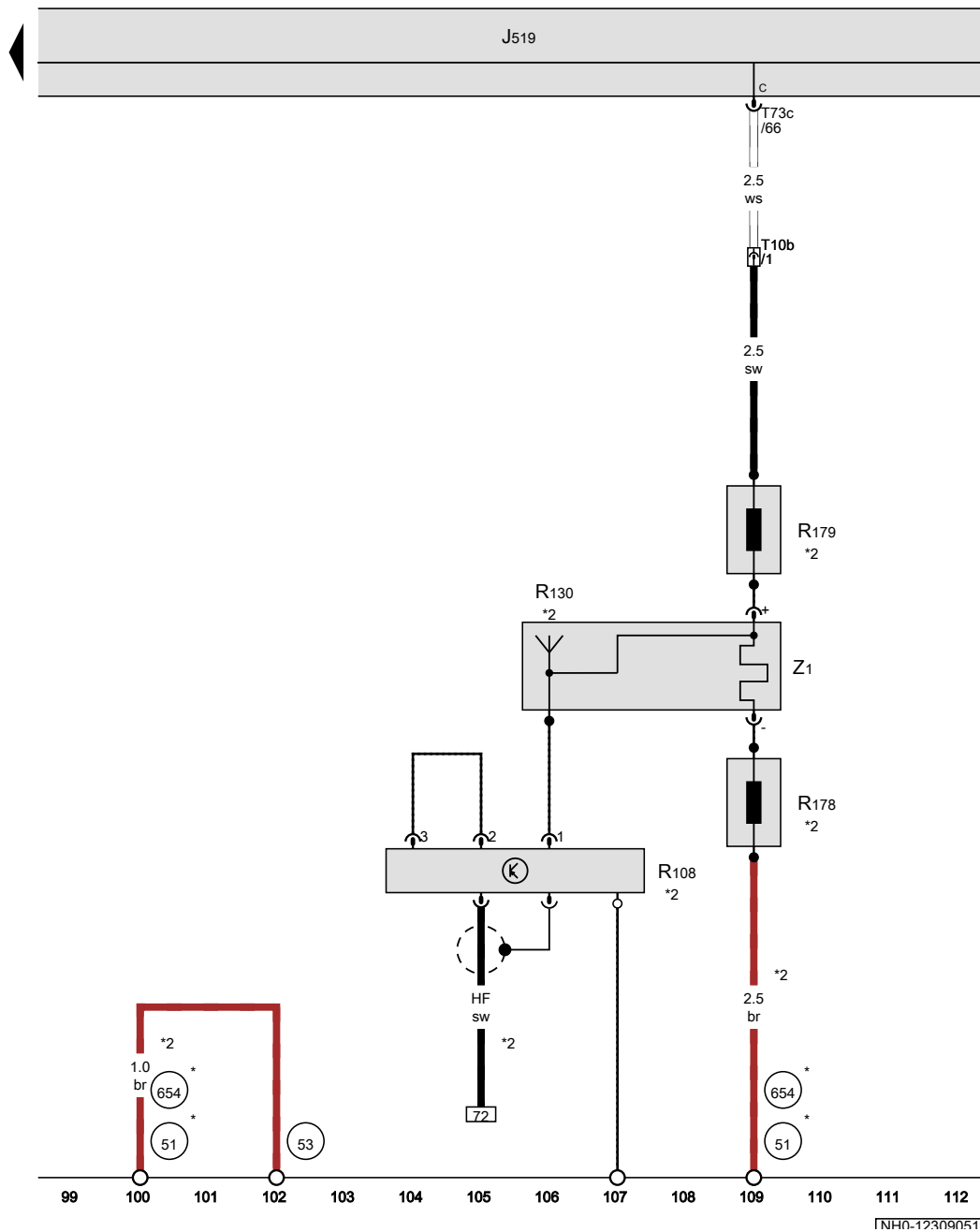
- J519 Onboard supply control unit
- R11 Aerial
- RX13 Glass roof
- R108 Left aerial module, under roof trim
- * Only models with glass roof



85 86 87 88 89 90 91 92 93 94 95 96 97 98

[NH0-123080516]

- ws = white
- sw = black
- ro = red
- rt = red
- br = brown
- gn = green
- bl = blue
- gr = grey
- li = purple
- vi = purple
- ge = yellow
- or = orange
- rs = pink



Left aerial module, Rear window aerial 1, Frequency modulation (FM) frequency filter in negative wire, Frequency modulation (FM) frequency filter in positive wire, Heated rear window

- J519 Onboard supply control unit
- R108 Left aerial module
- R130 Rear window aerial 1
- R178 Frequency modulation (FM) frequency filter in negative wire
- R179 Frequency modulation (FM) frequency filter in positive wire
- T10b 10-pin connector
- T73c 73-pin connector, black
- Z1 Heated rear window

- 51 Earth point, on right in luggage compartment
- 53 Earth point, on right in rear lid
- 654 Earth point, on right D-pillar

* see fitting locations
 *2 Only models with rear window aerial

- ws = white
- sw = black
- ro = red
- rt = red
- br = brown
- gn = green
- bl = blue
- gr = grey
- li = purple
- vi = purple
- ge = yellow
- or = orange
- rs = pink

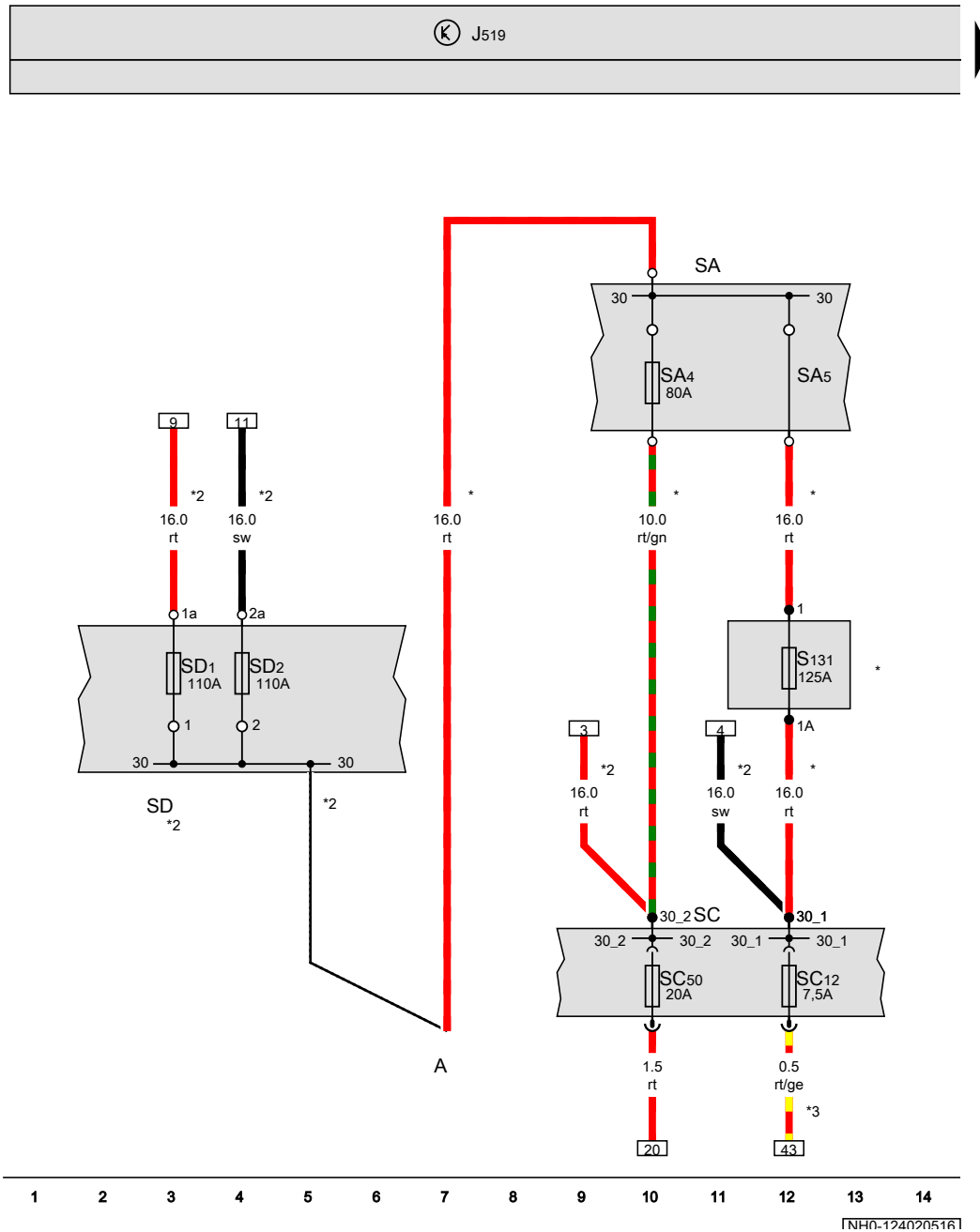
1NH0-1230905161

Radio system , (L0R)

From November 2015

Battery, Fuse holder A, Fuse holder C, Fuse holder D

- A Battery
- J519 Onboard supply control unit
- SA Fuse holder A
- SC Fuse holder C
- SD1 Fuse 1 on fuse holder D
- SD2 Fuse 2 on fuse holder D
- SA4 Fuse 4 in fuse holder A
- SA5 Fuse 5 in fuse holder A
- SC12 Fuse 12 on fuse holder C
- SC50 Fuse 50 on fuse holder C
- S131 Fuse 1, in main wiring harness
- SD Fuse holder D
- * Only models with battery in engine compartment
- *2 Only models with battery in luggage compartment
- *3 According to equipment



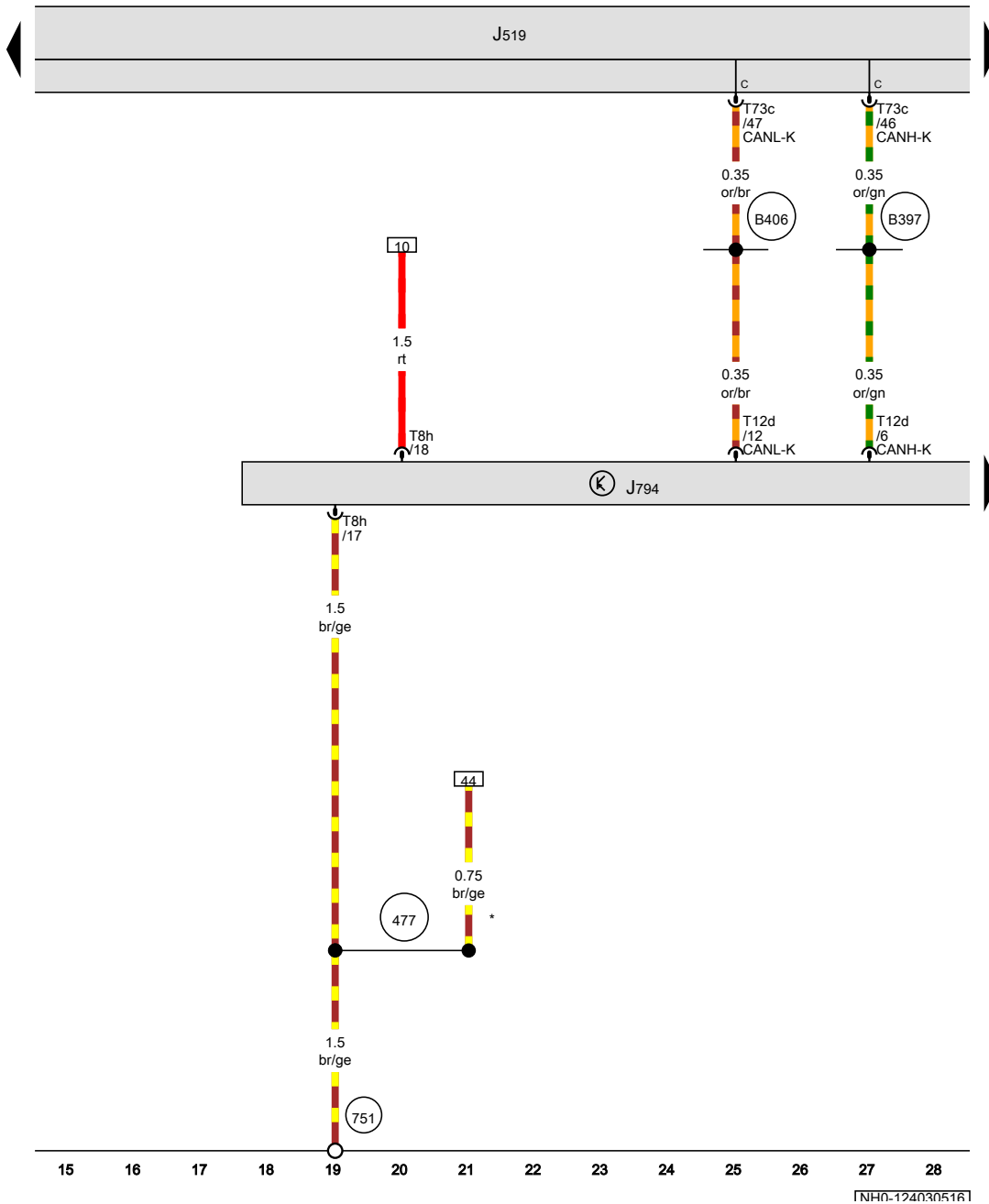
- ws = white
- sw = black
- ro = red
- rt = red
- br = brown
- gn = green
- bl = blue
- gr = grey
- li = purple
- vi = purple
- ge = yellow
- or = orange
- rs = pink

[NH0-124020516]

Control unit 1 for information electronics

- J519 Onboard supply control unit
- J794 Control unit 1 for information electronics
- T8h 8-pin connector, black
- T12d 12-pin connector, grey
- T73c 73-pin connector, black

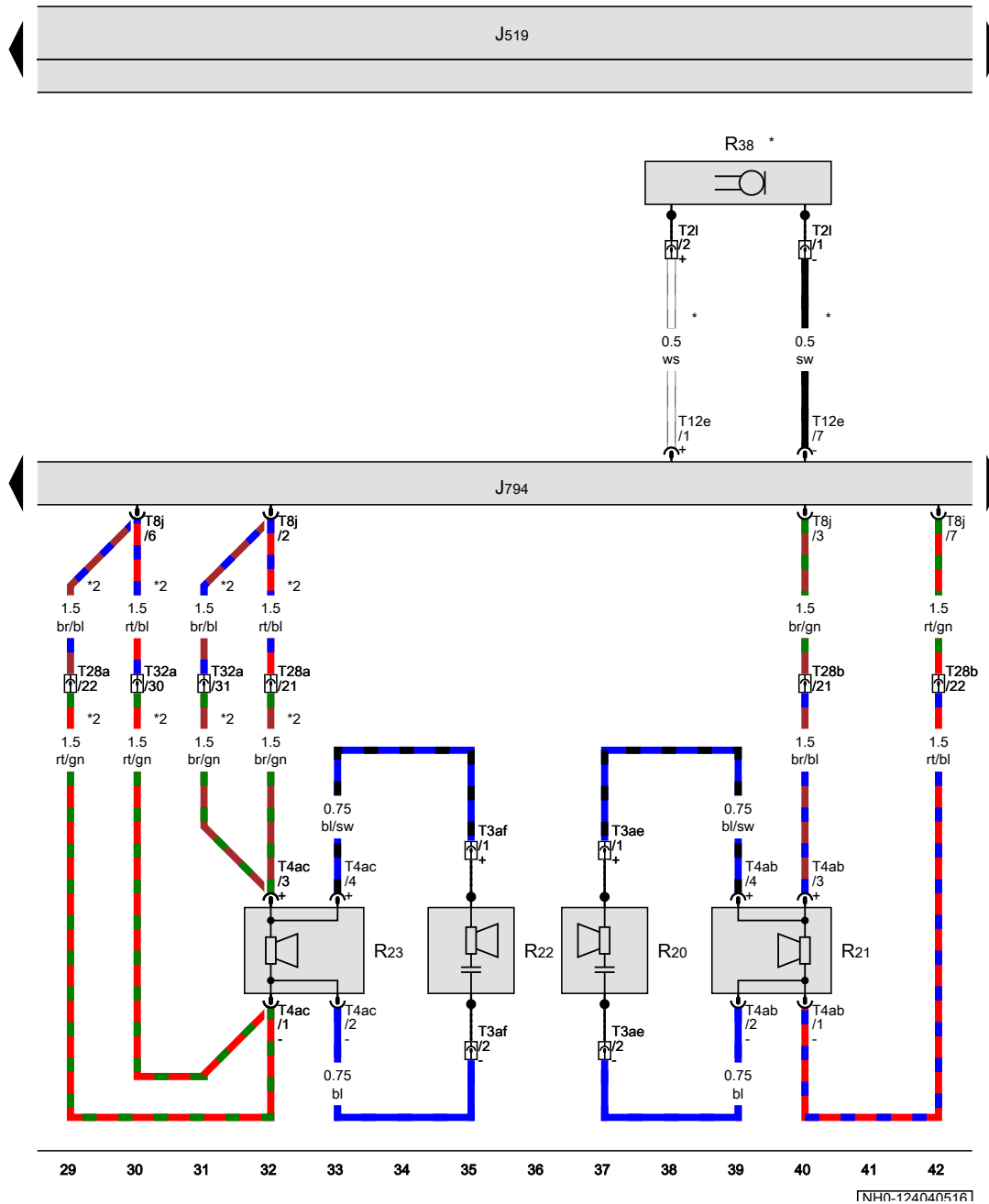
- 477 Earth connection (audio), in main wiring harness
- 751 Earth point 2, on right A-pillar
- B397 Connection 1 (convenience CAN bus, high), in main wiring harness
- B406 Connection 1 (convenience CAN bus, low), in main wiring harness
- * According to equipment



[NH0-124030516]

Control unit 1 for information electronics, Front left treble loudspeaker, Front left bass loudspeaker, Front right treble loudspeaker, Front right bass loudspeaker, Telephone microphone

- J519 Onboard supply control unit
- J794 Control unit 1 for information electronics
- R20 Front left treble loudspeaker
- R21 Front left bass loudspeaker
- R22 Front right treble loudspeaker
- R23 Front right bass loudspeaker
- R38 Telephone microphone
- T2l 2-pin connector
- T3ae 3-pin connector
- T3af 3-pin connector
- T4ab 4-pin connector
- T4ac 4-pin connector
- T8j 8-pin connector, brown
- T12e 12-pin connector, blue
- T28a 28-pin connector, on right A-pillar
- T28b 28-pin connector, on left A-pillar
- T32a 32-pin connector, on right A-pillar
- * Special equipment
- *2 According to equipment

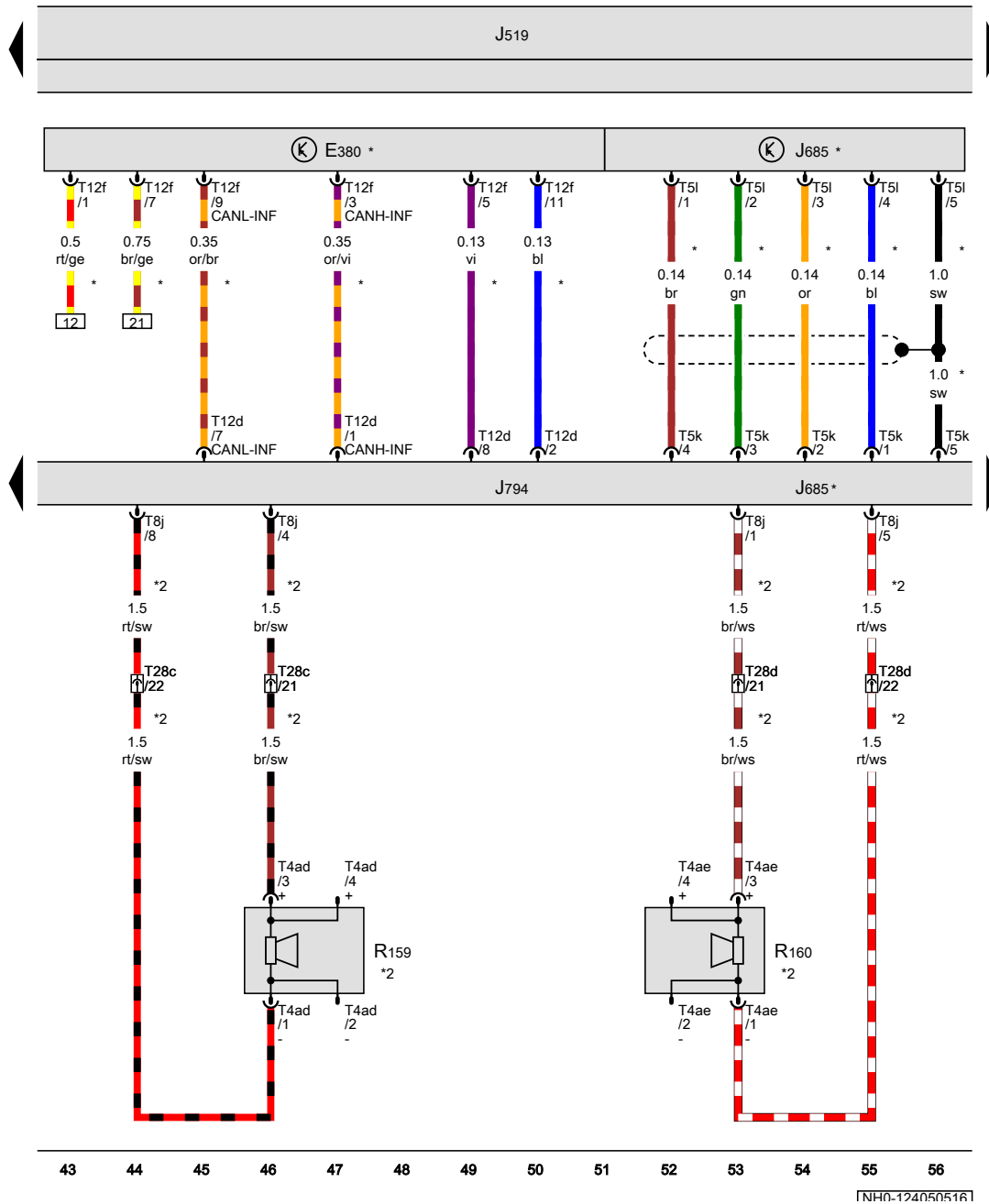


- ws = white
- sw = black
- ro = red
- rt = red
- br = brown
- gn = green
- bl = blue
- gr = grey
- li = purple
- vi = purple
- ge = yellow
- or = orange
- rs = pink

INHN-1240405161

Multimedia system operating unit, Display unit for front information display and operating unit control unit, Control unit 1 for information electronics, Rear left mid-range and bass loudspeaker, Rear right mid-range and bass loudspeaker

- E380 Multimedia system operating unit
- J519 Onboard supply control unit
- J685 Display unit for front information display and operating unit control unit
- J794 Control unit 1 for information electronics
- R159 Rear left mid-range and bass loudspeaker
- R160 Rear right mid-range and bass loudspeaker
- T4ad 4-pin connector
- T4ae 4-pin connector
- T5k 5-pin connector, pink
- T5l 5-pin connector, blue
- T8j 8-pin connector, brown
- T12d 12-pin connector, grey
- T28c 28-pin connector, on left B-pillar
- T28d 28-pin connector, on right B-pillar
- * According to equipment
- *2 Only models with rear loudspeaker

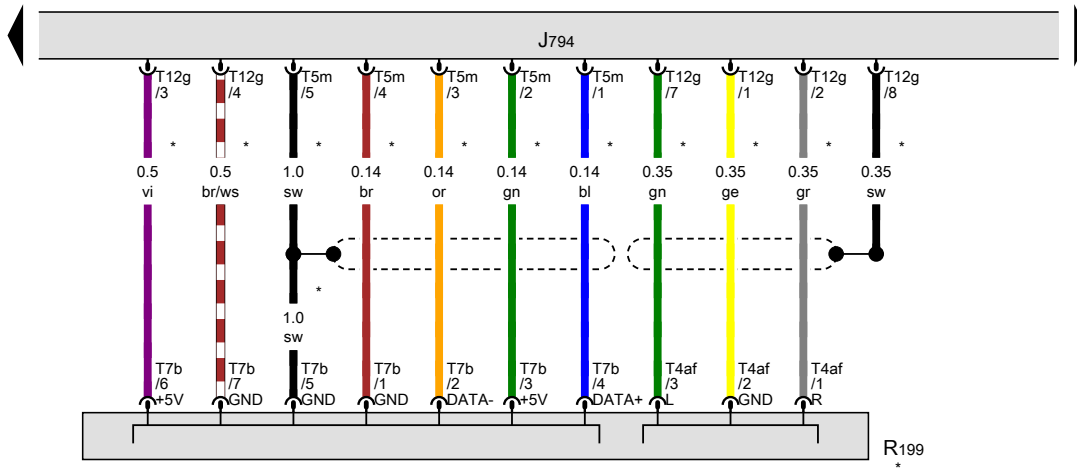
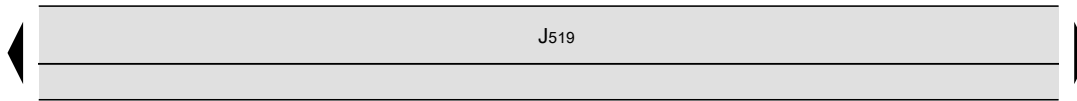


- ws = white
- sw = black
- ro = red
- rt = red
- br = brown
- gn = green
- bl = blue
- gr = grey
- li = purple
- vi = purple
- ge = yellow
- or = orange
- rs = pink

[NH0-124050516]

Control unit 1 for information electronics, Connection for external audio sources

- J519 Onboard supply control unit
- J794 Control unit 1 for information electronics
- R199 Connection for external audio sources
- T4af 4-pin connector
- T5m 5-pin connector, yellow
- T7b 7-pin connector
- T12g 12-pin connector, green
- * Special equipment



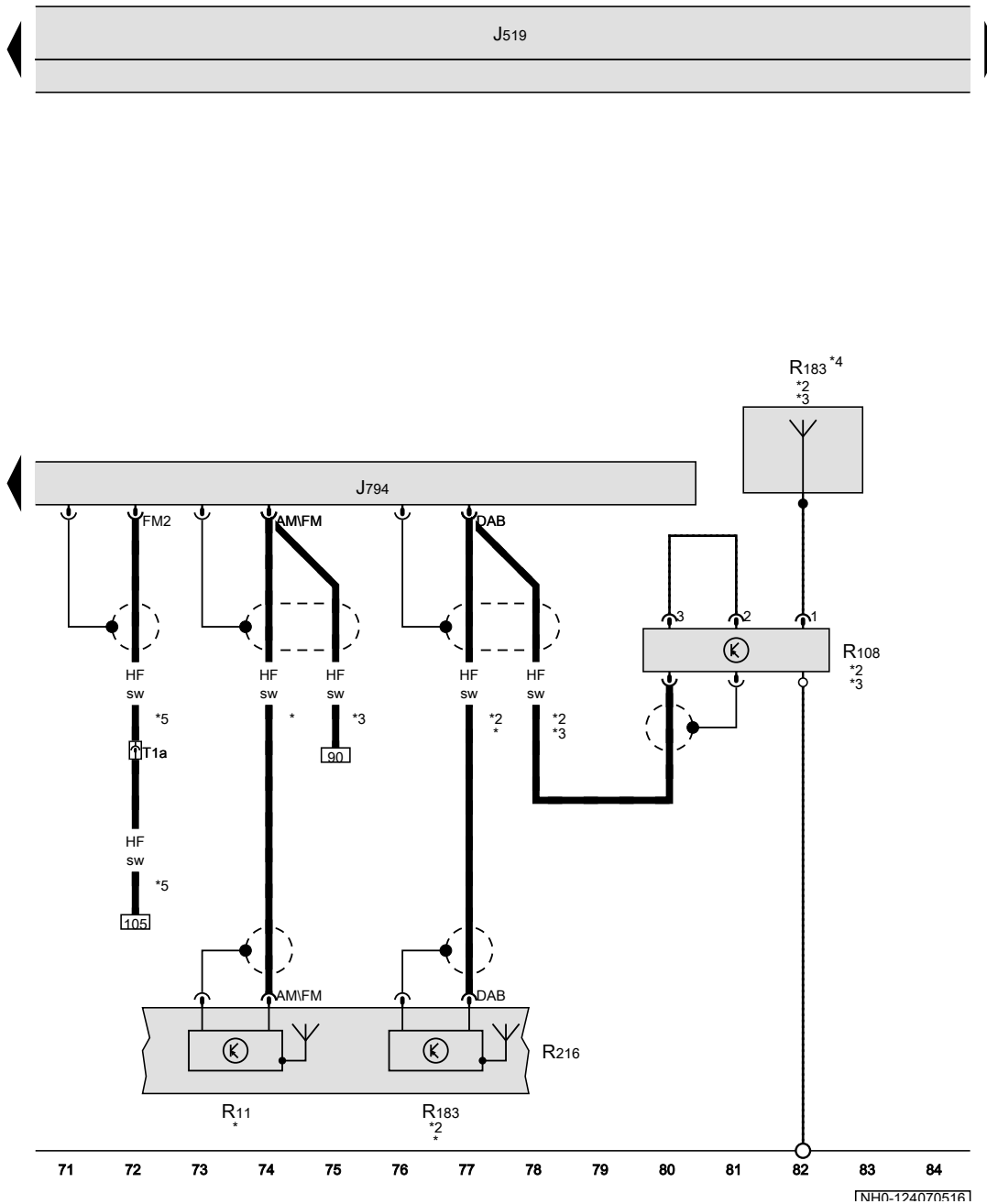
- ws = white
- sw = black
- ro = red
- rt = red
- br = brown
- gn = green
- bl = blue
- gr = grey
- li = purple
- vi = purple
- ge = yellow
- or = orange
- rs = pink

57 58 59 60 61 62 63 64 65 66 67 68 69 70

[NH0-124060516]

Control unit 1 for information electronics, Left aerial module, Digital radio aerial, Roof aerial

- J519 Onboard supply control unit
- J794 Control unit 1 for information electronics
- R11 Aerial
- R108 Left aerial module
- R183 Digital radio aerial
- R216 Roof aerial
- T1a Single connector, on right in luggage compartment
- * Only models with no glass roof
- *2 Special equipment
- *3 Only models with glass roof
- *4 Left side window aerial
- *5 Only models with rear window aerial

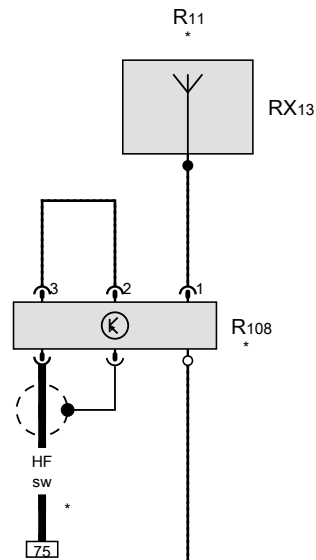
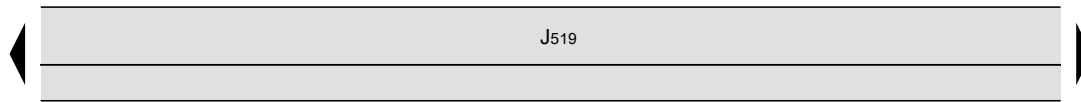


- ws = white
- sw = black
- ro = red
- rt = red
- br = brown
- gn = green
- bl = blue
- gr = grey
- li = purple
- vi = purple
- ge = yellow
- or = orange
- rs = pink

[NH0-124070516]

Aerial, Left aerial module

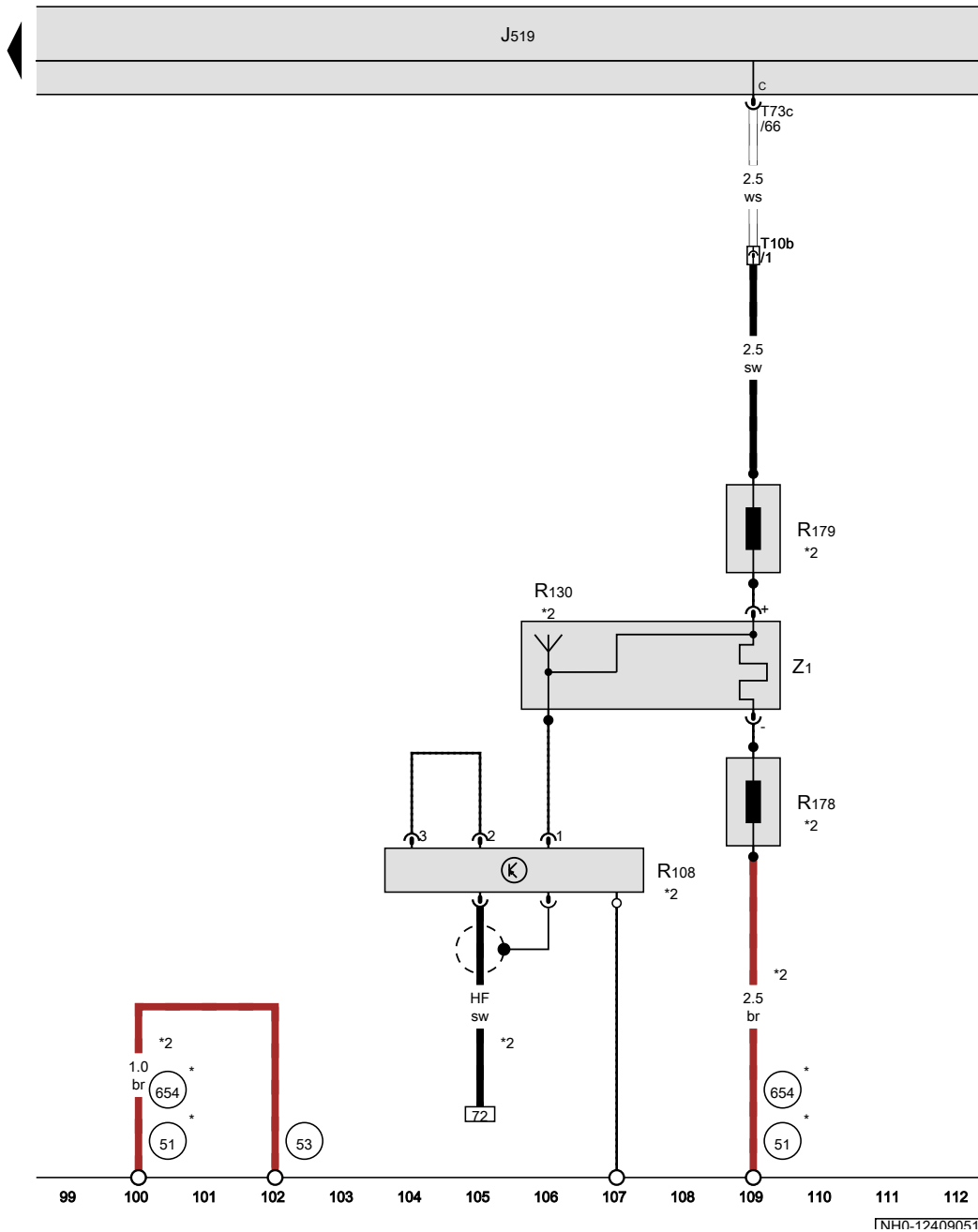
- J519 Onboard supply control unit
- R11 Aerial
- RX13 Glass roof
- R108 Left aerial module, under roof trim
- * Only models with glass roof



85 86 87 88 89 90 91 92 93 94 95 96 97 98

[NH0-124080516]

- ws = white
- sw = black
- ro = red
- rt = red
- br = brown
- gn = green
- bl = blue
- gr = grey
- li = purple
- vi = purple
- ge = yellow
- or = orange
- rs = pink



Left aerial module, Rear window aerial 1, Frequency modulation (FM) frequency filter in negative wire, Frequency modulation (FM) frequency filter in positive wire, Heated rear window

- J519 Onboard supply control unit
- R108 Left aerial module
- R130 Rear window aerial 1
- R178 Frequency modulation (FM) frequency filter in negative wire
- R179 Frequency modulation (FM) frequency filter in positive wire
- T10b 10-pin connector
- T73c 73-pin connector, black
- Z1 Heated rear window

- 51 Earth point, on right in luggage compartment
- 53 Earth point, on right in rear lid
- 654 Earth point, on right D-pillar

* see fitting locations
 *2 Only models with rear window aerial

- ws = white
- sw = black
- ro = red
- rt = red
- br = brown
- gn = green
- bl = blue
- gr = grey
- li = purple
- vi = purple
- ge = yellow
- or = orange
- rs = pink

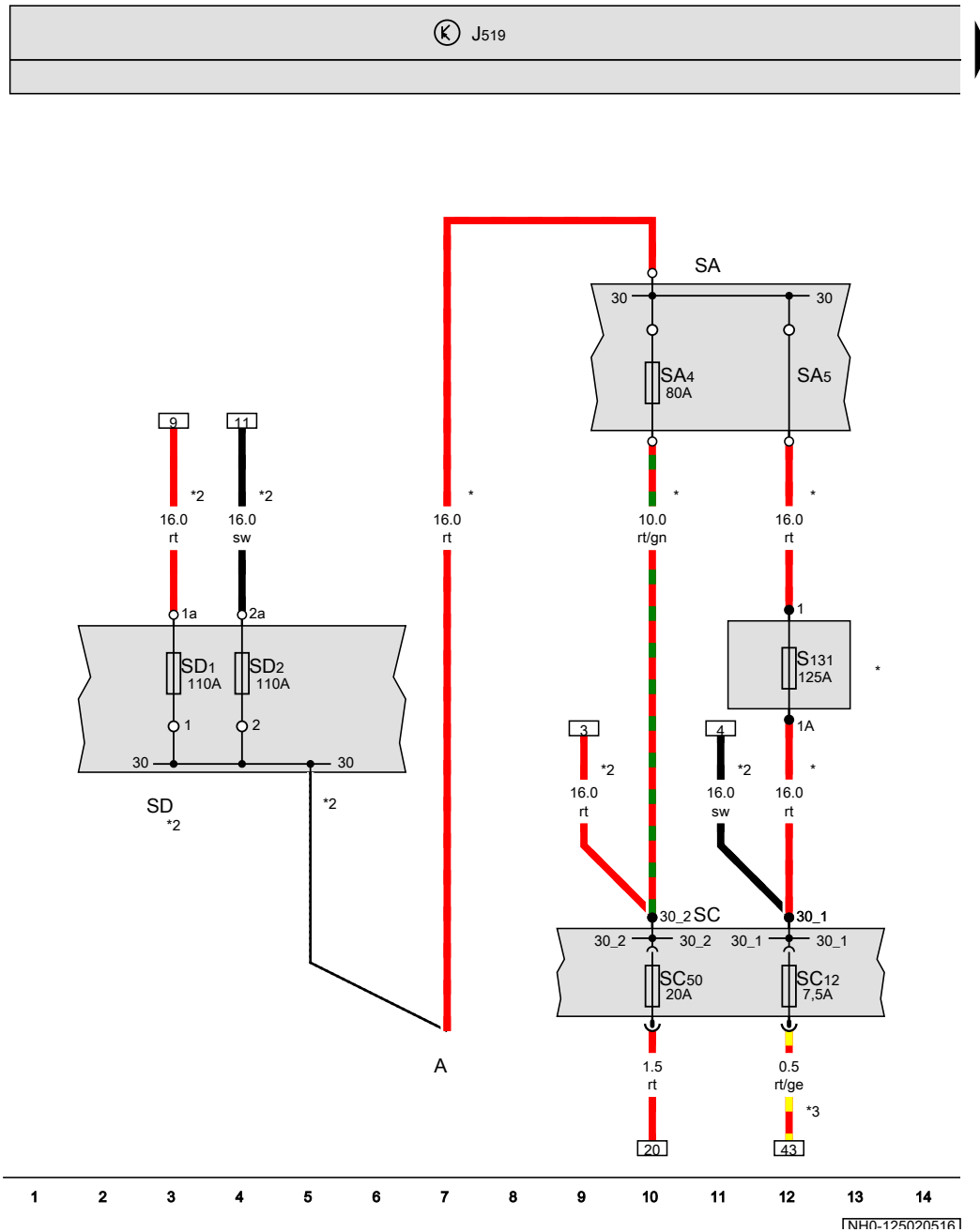
1NH0-1240905161

Radio navigation system , (L0L)

From November 2015

Battery, Fuse holder A, Fuse holder C, Fuse holder D

- A Battery
- J519 Onboard supply control unit
- SA Fuse holder A
- SC Fuse holder C
- SD1 Fuse 1 on fuse holder D
- SD2 Fuse 2 on fuse holder D
- SA4 Fuse 4 in fuse holder A
- SA5 Fuse 5 in fuse holder A
- SC12 Fuse 12 on fuse holder C
- SC50 Fuse 50 on fuse holder C
- S131 Fuse 1, in main wiring harness
- SD Fuse holder D
- * Only models with battery in engine compartment
- *2 Only models with battery in luggage compartment
- *3 According to equipment

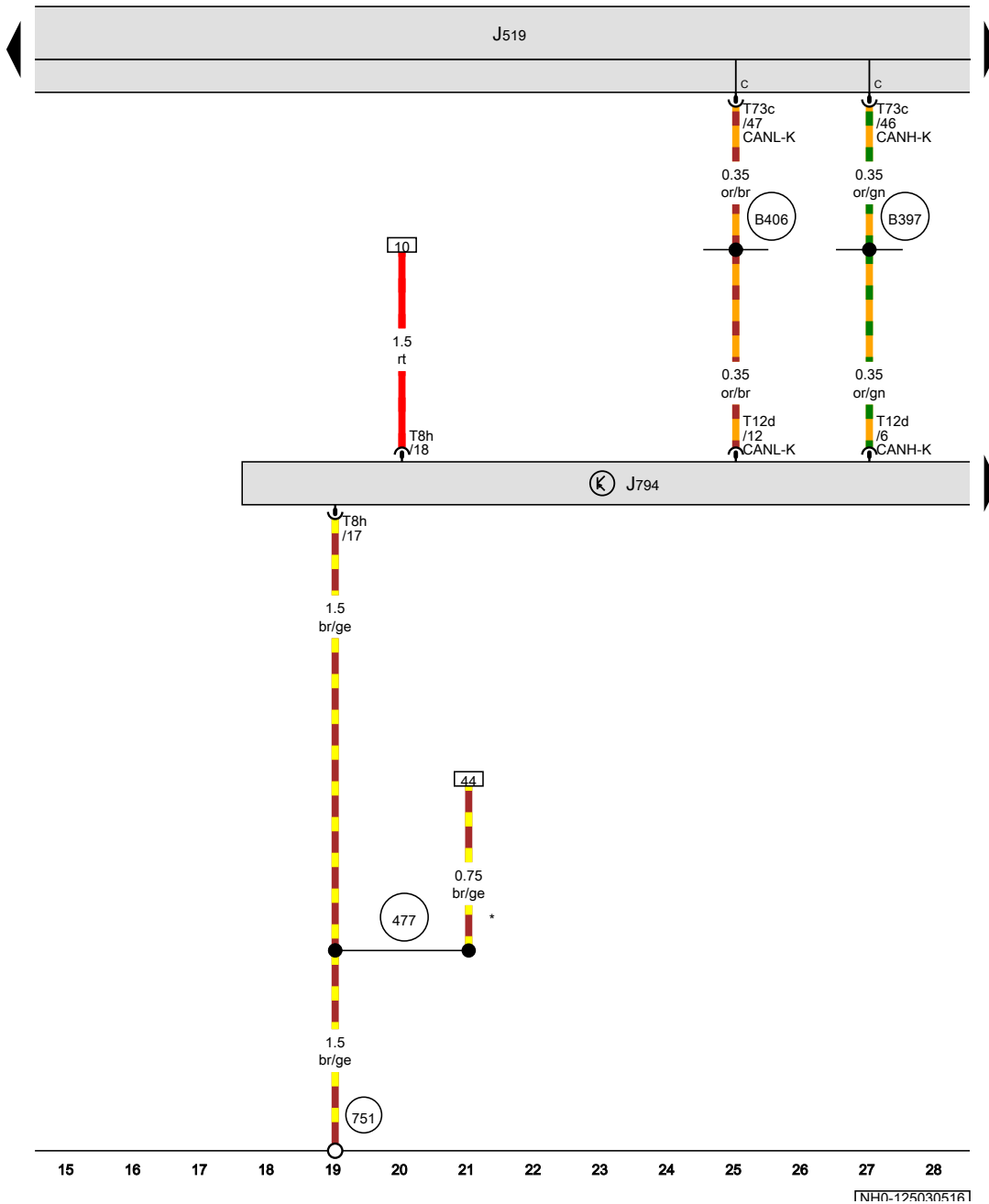


- ws = white
- sw = black
- ro = red
- rt = red
- br = brown
- gn = green
- bl = blue
- gr = grey
- li = purple
- vi = purple
- ge = yellow
- or = orange
- rs = pink

Control unit 1 for information electronics

- J519 Onboard supply control unit
- J794 Control unit 1 for information electronics
- T8h 8-pin connector, black
- T12d 12-pin connector, grey
- T73c 73-pin connector, black

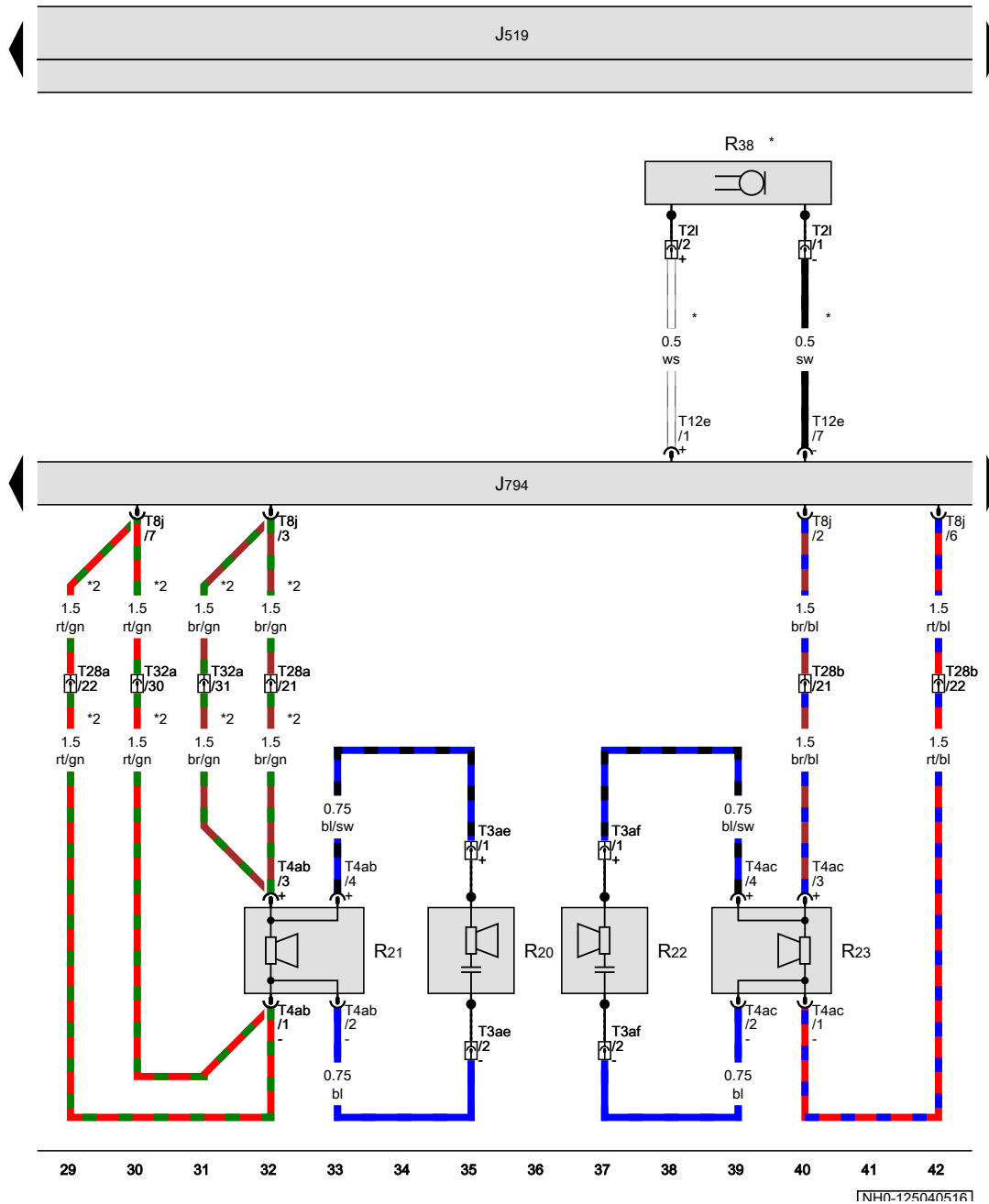
- 477 Earth connection (audio), in main wiring harness
- 751 Earth point 2, on right A-pillar
- B397 Connection 1 (convenience CAN bus, high), in main wiring harness
- B406 Connection 1 (convenience CAN bus, low), in main wiring harness
- * According to equipment



[NH0-125030516]

Control unit 1 for information electronics, Front left treble loudspeaker, Front left bass loudspeaker, Front right treble loudspeaker, Front right bass loudspeaker, Telephone microphone

- J519 Onboard supply control unit
- J794 Control unit 1 for information electronics
- R20 Front left treble loudspeaker
- R21 Front left bass loudspeaker
- R22 Front right treble loudspeaker
- R23 Front right bass loudspeaker
- R38 Telephone microphone
- T2l 2-pin connector
- T3ae 3-pin connector
- T3af 3-pin connector
- T4ab 4-pin connector
- T4ac 4-pin connector
- T8j 8-pin connector, brown
- T12e 12-pin connector, blue
- T28a 28-pin connector, on left A-pillar
- T28b 28-pin connector, on right A-pillar
- T32a 32-pin connector, on left A-pillar
- * Special equipment
- *2 According to equipment

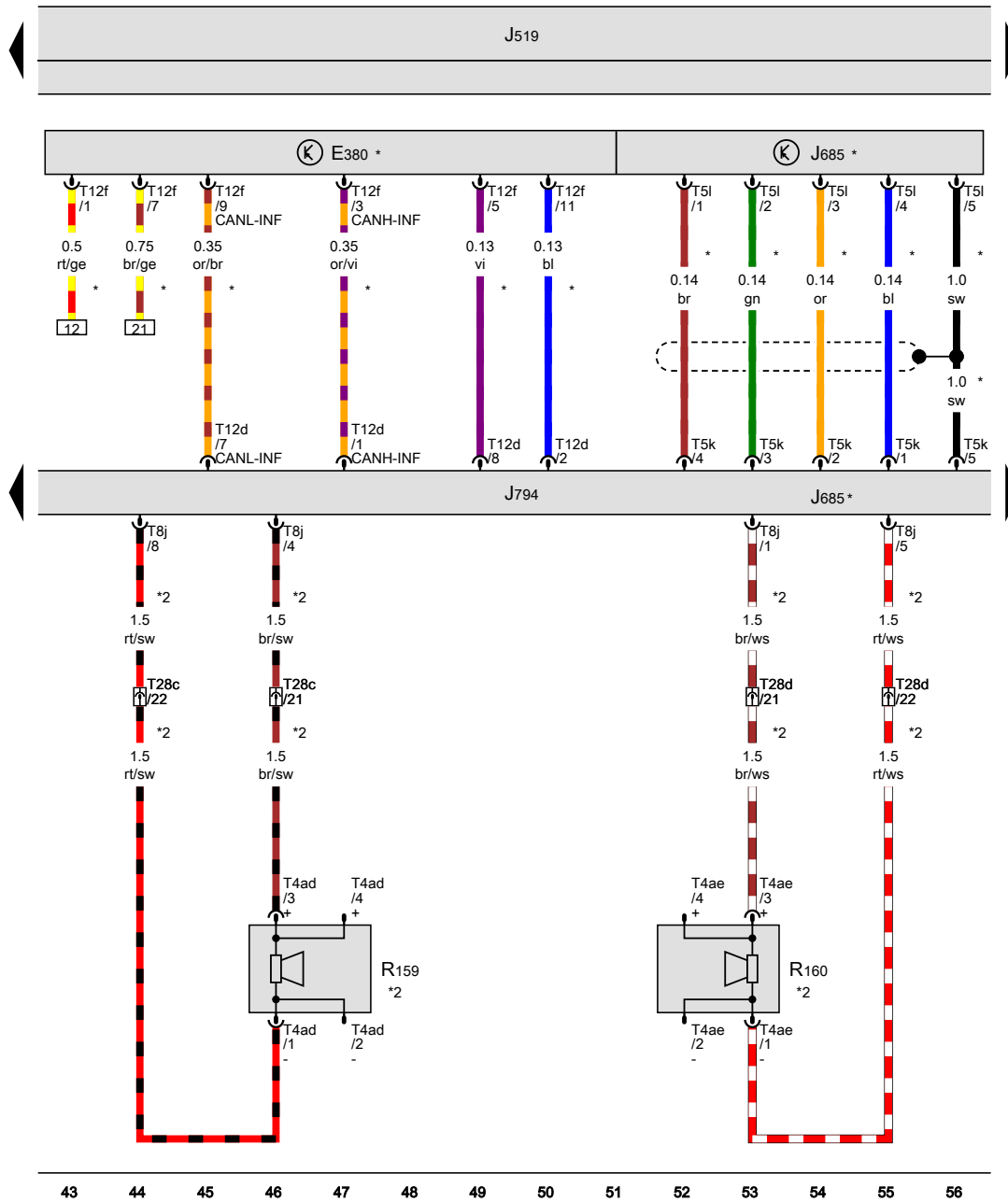


- ws = white
- sw = black
- ro = red
- rt = red
- br = brown
- gn = green
- bl = blue
- gr = grey
- li = purple
- vi = purple
- ge = yellow
- or = orange
- rs = pink

[NH0-125040516]

Multimedia system operating unit, Display unit for front information display and operating unit control unit, Control unit 1 for information electronics, Rear left mid-range and bass loudspeaker, Rear right mid-range and bass loudspeaker

- E380 Multimedia system operating unit
- J519 Onboard supply control unit
- J685 Display unit for front information display and operating unit control unit
- J794 Control unit 1 for information electronics
- R159 Rear left mid-range and bass loudspeaker
- R160 Rear right mid-range and bass loudspeaker
- T4ad 4-pin connector
- T4ae 4-pin connector
- T5k 5-pin connector, pink
- T5l 5-pin connector, blue
- T8j 8-pin connector, brown
- T12d 12-pin connector, grey
- T12f 12-pin connector, black
- T28c 28-pin connector, on left B-pillar
- T28d 28-pin connector, on right B-pillar
- * According to equipment
- *2 Only models with rear loudspeaker

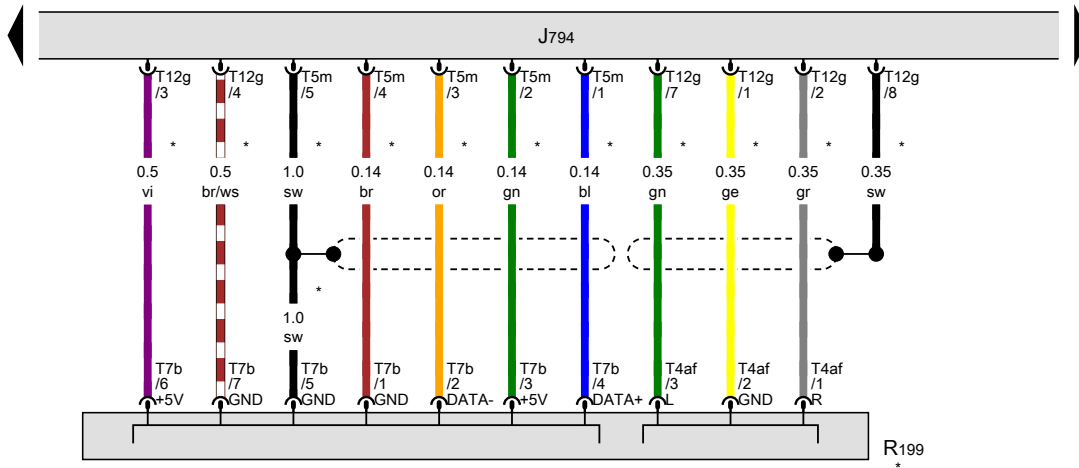
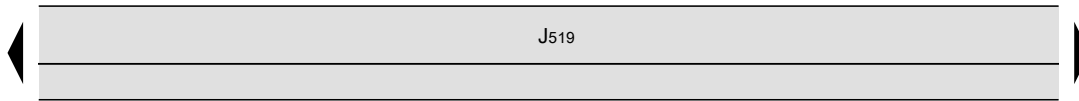


- ws = white
- sw = black
- ro = red
- rt = red
- br = brown
- gn = green
- bl = blue
- gr = grey
- li = purple
- vi = purple
- ge = yellow
- or = orange
- rs = pink

[NH0-125050516]

Control unit 1 for information electronics, Connection for external audio sources

- J519 Onboard supply control unit
- J794 Control unit 1 for information electronics
- R199 Connection for external audio sources
- T4af 4-pin connector
- T5m 5-pin connector, yellow
- T7b 7-pin connector
- T12g 12-pin connector, green
- * Special equipment



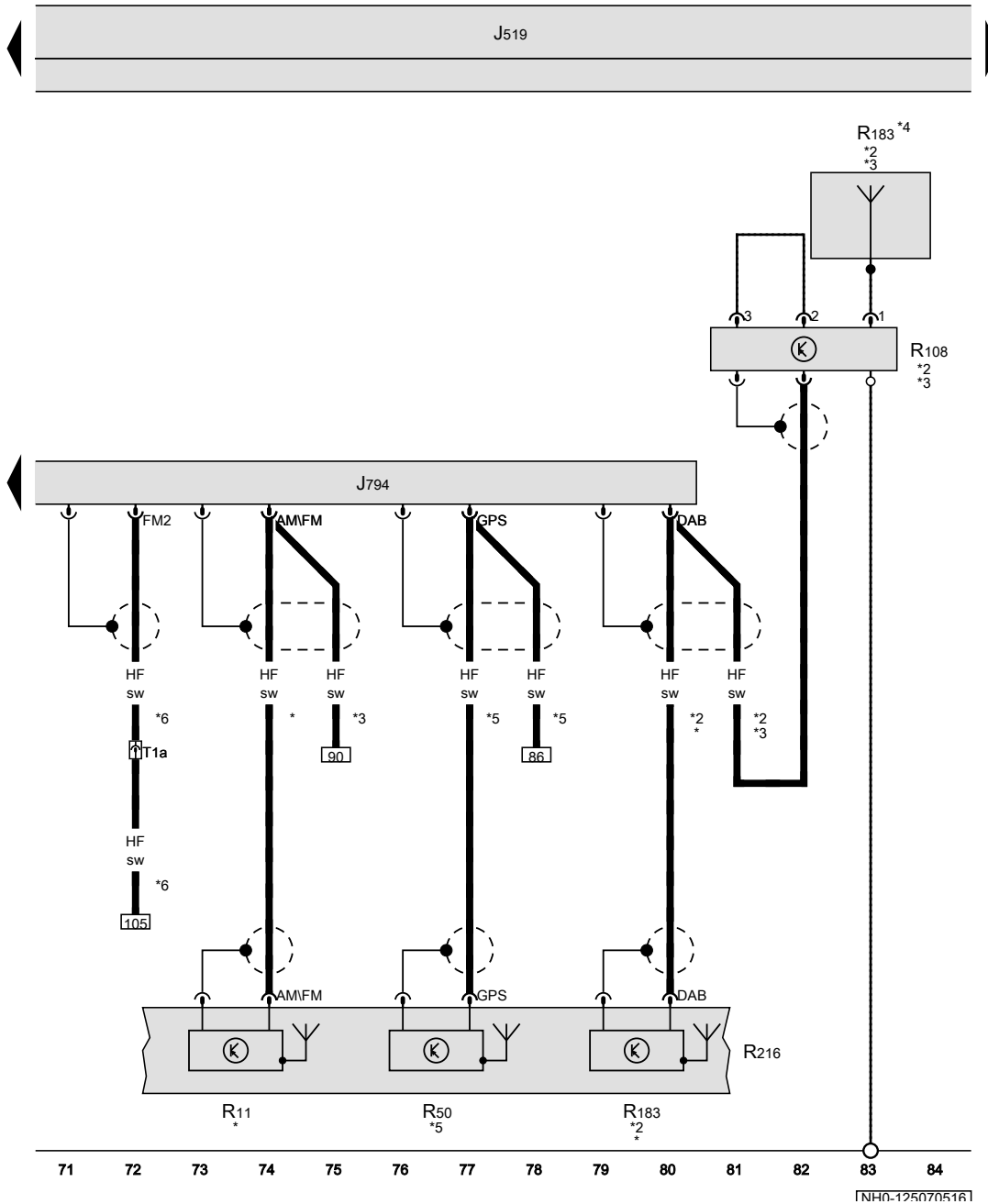
- ws = white
- sw = black
- ro = red
- rt = red
- br = brown
- gn = green
- bl = blue
- gr = grey
- li = purple
- vi = purple
- ge = yellow
- or = orange
- rs = pink

57 58 59 60 61 62 63 64 65 66 67 68 69 70

[NH0-125060516]

Control unit 1 for information electronics, Left aerial module, Digital radio aerial, Roof aerial

- J519 Onboard supply control unit
- J794 Control unit 1 for information electronics
- R11 Aerial
- R50 GPS aerial
- R108 Left aerial module
- R183 Digital radio aerial
- R216 Roof aerial
- T1a Single connector, on right in luggage compartment
- * Only models with no glass roof
- *2 Special equipment
- *3 Only models with glass roof
- *4 Left side window aerial
- *5 According to equipment
- *6 Only models with rear window aerial

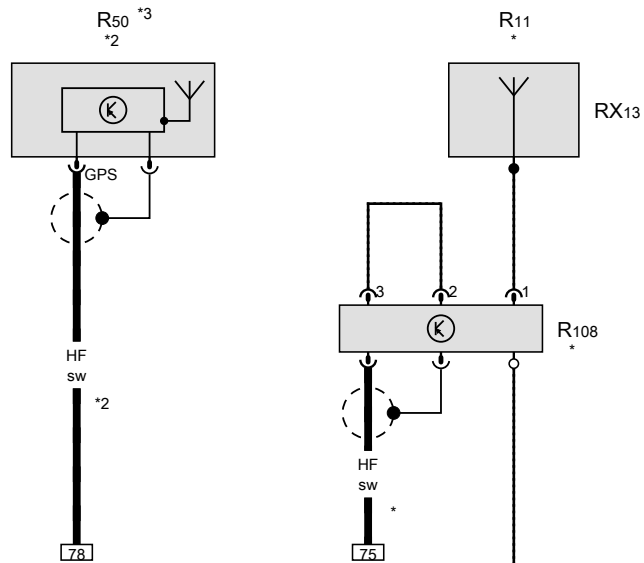
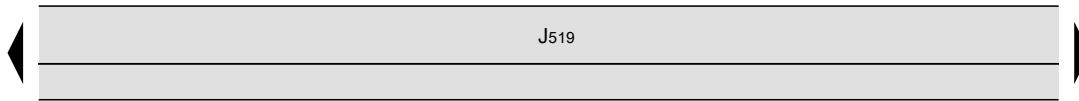


- ws = white
- sw = black
- ro = red
- rt = red
- br = brown
- gn = green
- bl = blue
- gr = grey
- li = purple
- vi = purple
- ge = yellow
- or = orange
- rs = pink

[NH0-125070516]

Aerial, GPS aerial, Left aerial module

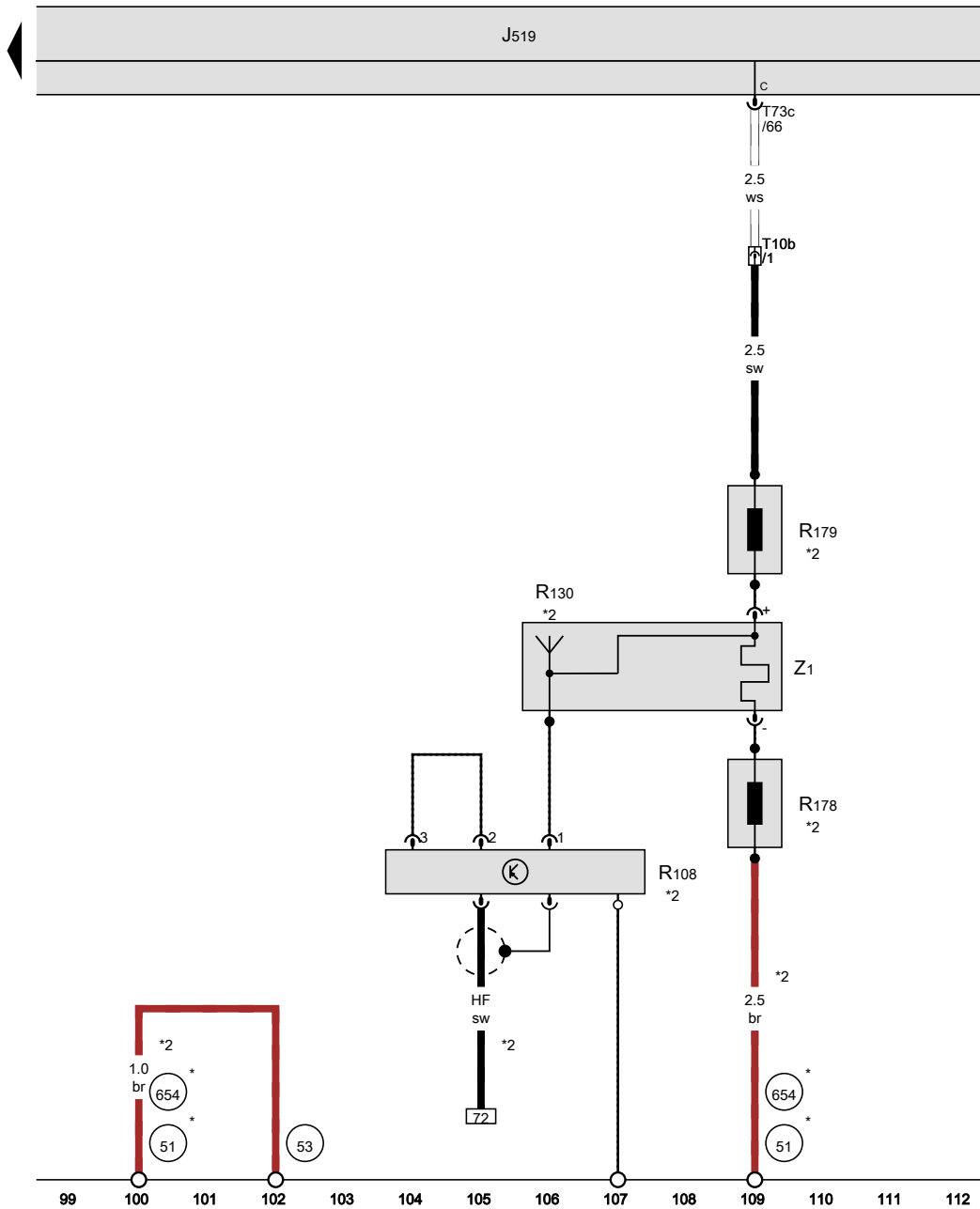
- J519 Onboard supply control unit
- R11 Aerial
- RX13 Glass roof
- R50 GPS aerial
- R108 Left aerial module, under roof trim
- * Only models with glass roof
- *2 According to equipment
- *3 Aerial, routed under dash panel



85 86 87 88 89 90 91 92 93 94 95 96 97 98

[NH0-125080516]

- ws = white
- sw = black
- ro = red
- rt = red
- br = brown
- gn = green
- bl = blue
- gr = grey
- li = purple
- vi = purple
- ge = yellow
- or = orange
- rs = pink



Left aerial module, Rear window aerial 1, Frequency modulation (FM) frequency filter in negative wire, Frequency modulation (FM) frequency filter in positive wire, Heated rear window

- J519 Onboard supply control unit
- R108 Left aerial module
- R130 Rear window aerial 1
- R178 Frequency modulation (FM) frequency filter in negative wire
- R179 Frequency modulation (FM) frequency filter in positive wire
- T10b 10-pin connector
- T73c 73-pin connector, black
- Z1 Heated rear window

- 51 Earth point, on right in luggage compartment
- 53 Earth point, on right in rear lid
- 654 Earth point, on right D-pillar

* see fitting locations
 *2 Only models with rear window aerial

- ws = white
- sw = black
- ro = red
- rt = red
- br = brown
- gn = green
- bl = blue
- gr = grey
- li = purple
- vi = purple
- ge = yellow
- or = orange
- rs = pink

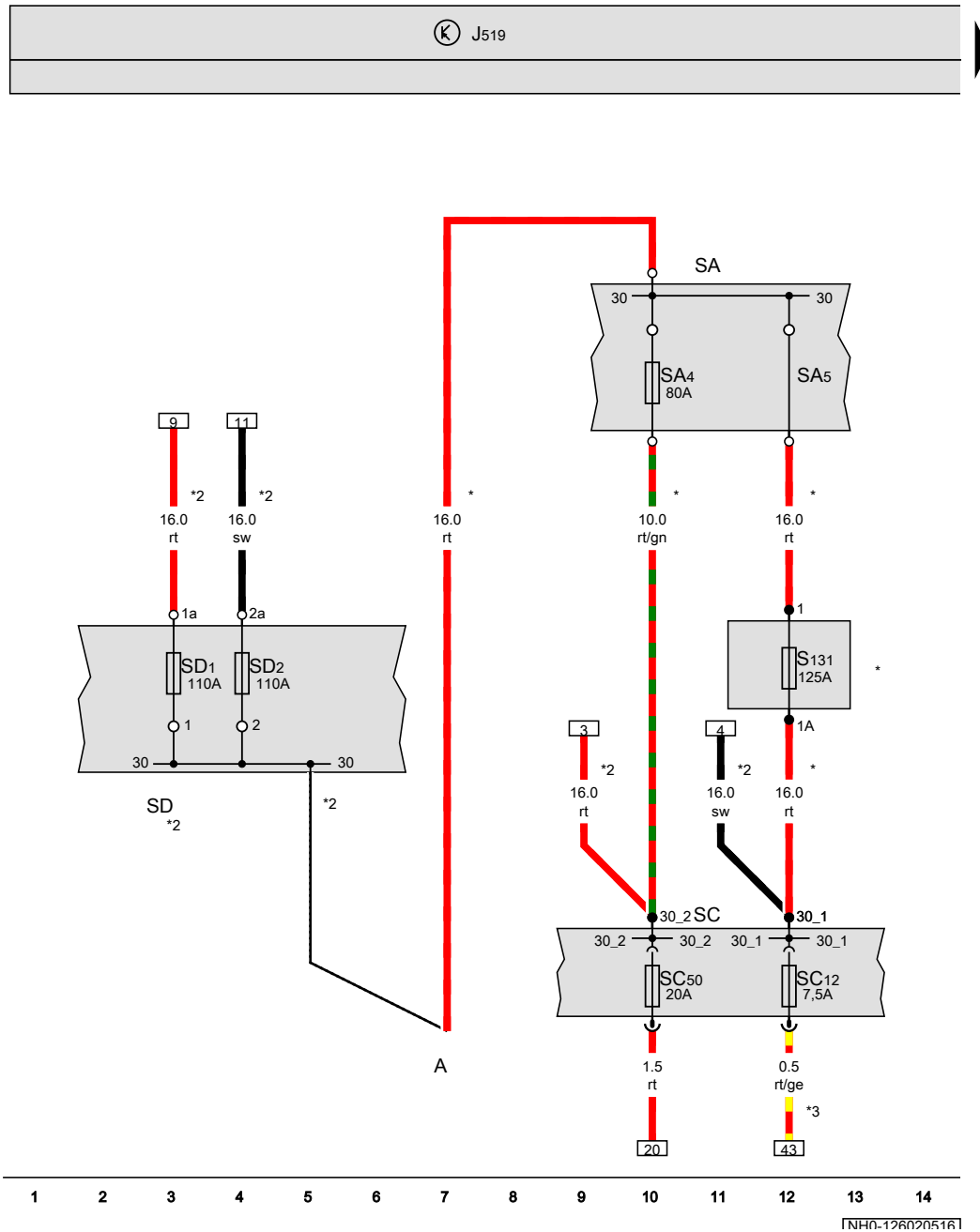
[NH0-125090516]

Radio navigation system , (L0R)

From November 2015

Battery, Fuse holder A, Fuse holder C, Fuse holder D

- A Battery
- J519 Onboard supply control unit
- SA Fuse holder A
- SC Fuse holder C
- SD1 Fuse 1 on fuse holder D
- SD2 Fuse 2 on fuse holder D
- SA4 Fuse 4 in fuse holder A
- SA5 Fuse 5 in fuse holder A
- SC12 Fuse 12 on fuse holder C
- SC50 Fuse 50 on fuse holder C
- S131 Fuse 1, in main wiring harness
- SD Fuse holder D
- * Only models with battery in engine compartment
- *2 Only models with battery in luggage compartment
- *3 According to equipment

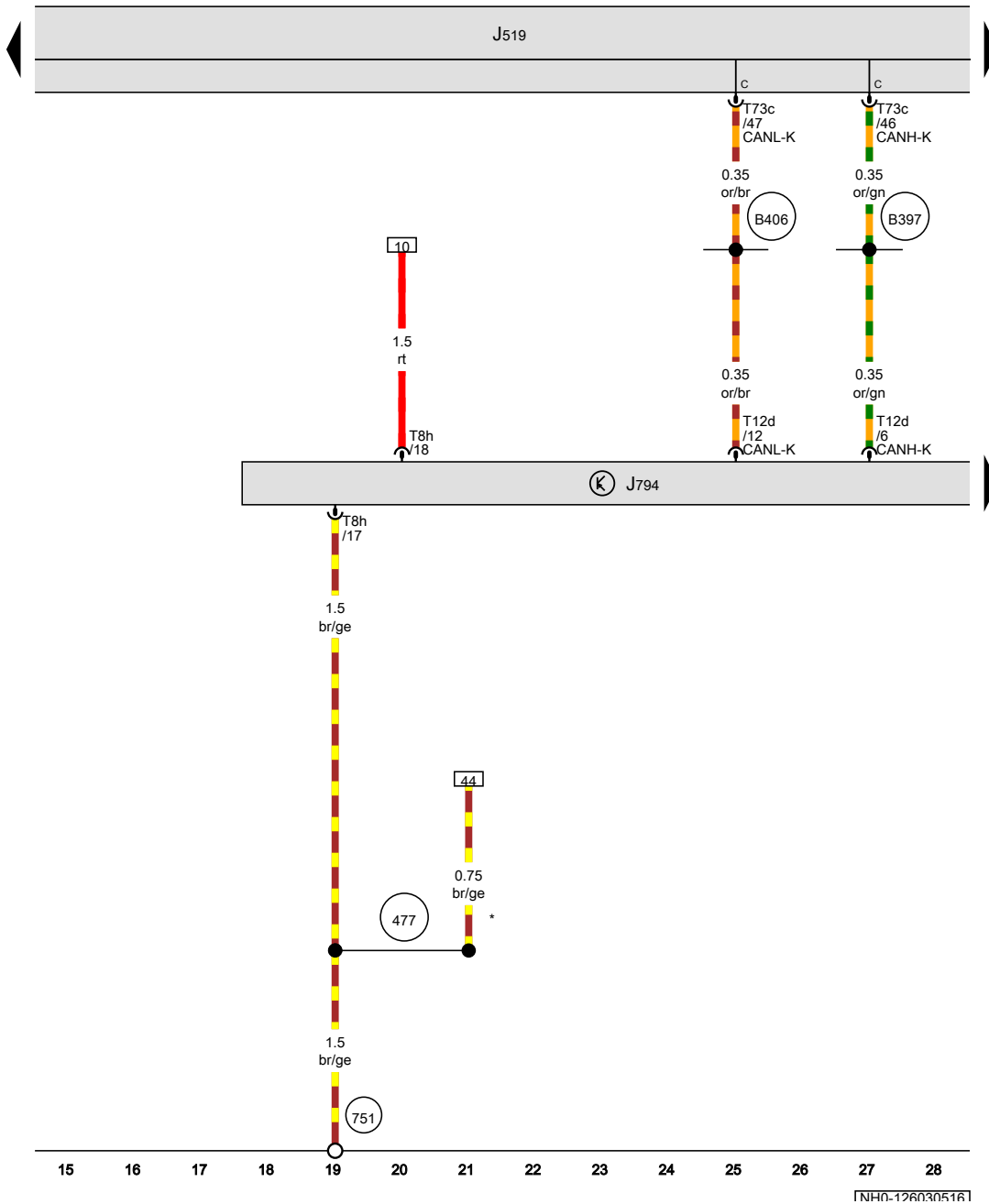


- ws = white
- sw = black
- ro = red
- rt = red
- br = brown
- gn = green
- bl = blue
- gr = grey
- li = purple
- vi = purple
- ge = yellow
- or = orange
- rs = pink

Control unit 1 for information electronics

- J519 Onboard supply control unit
- J794 Control unit 1 for information electronics
- T8h 8-pin connector, black
- T12d 12-pin connector, grey
- T73c 73-pin connector, black

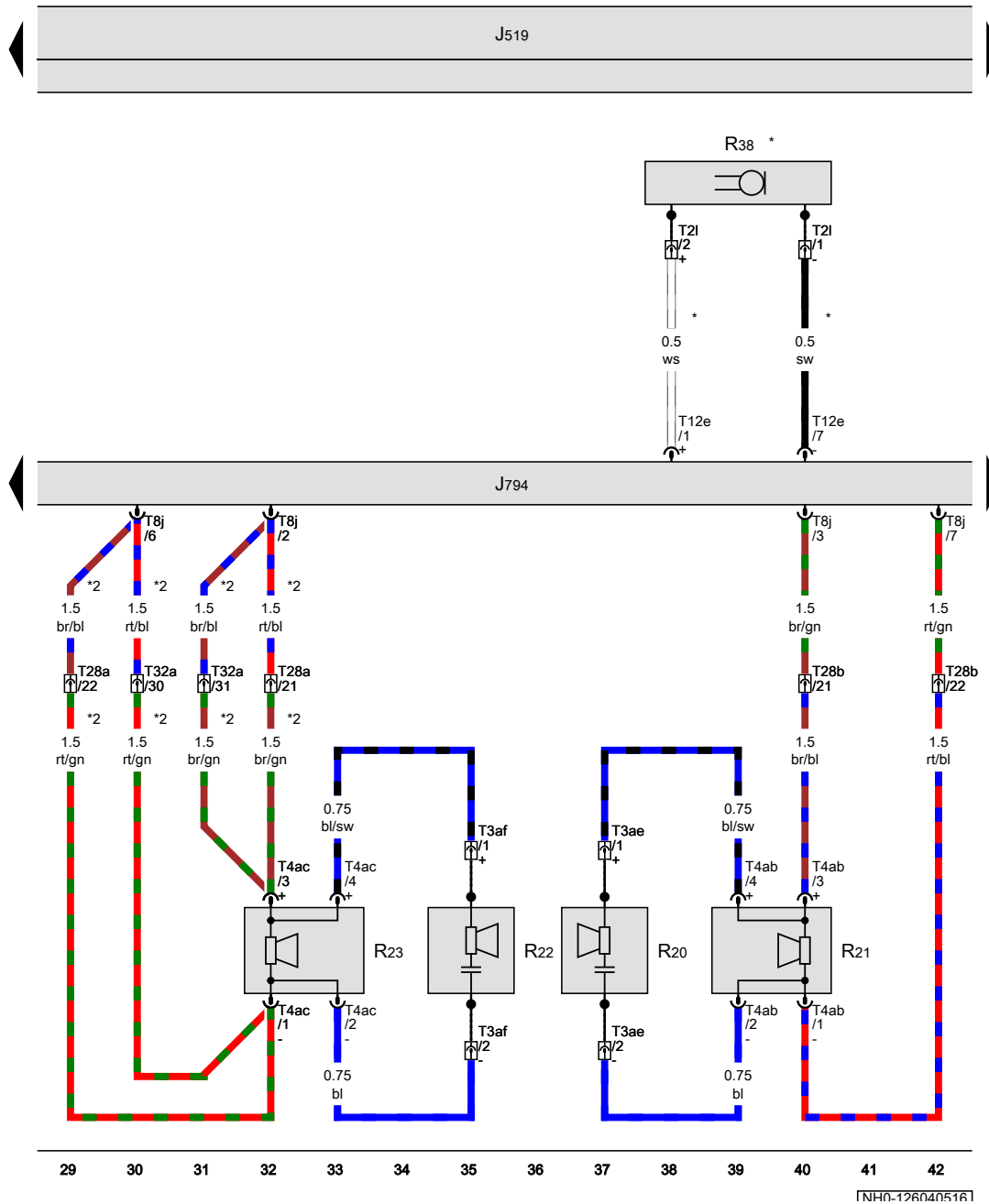
- 477 Earth connection (audio), in main wiring harness
- 751 Earth point 2, on right A-pillar
- B397 Connection 1 (convenience CAN bus, high), in main wiring harness
- B406 Connection 1 (convenience CAN bus, low), in main wiring harness
- * According to equipment



[NH0-126030516]

Control unit 1 for information electronics, Front left treble loudspeaker, Front left bass loudspeaker, Front right treble loudspeaker, Front right bass loudspeaker, Telephone microphone

- J519 Onboard supply control unit
- J794 Control unit 1 for information electronics
- R20 Front left treble loudspeaker
- R21 Front left bass loudspeaker
- R22 Front right treble loudspeaker
- R23 Front right bass loudspeaker
- R38 Telephone microphone
- T2l 2-pin connector
- T3ae 3-pin connector
- T3af 3-pin connector
- T4ab 4-pin connector
- T4ac 4-pin connector
- T8j 8-pin connector, brown
- T12e 12-pin connector, blue
- T28a 28-pin connector, on right A-pillar
- T28b 28-pin connector, on left A-pillar
- T32a 32-pin connector, on right A-pillar
- * Special equipment
- *2 According to equipment

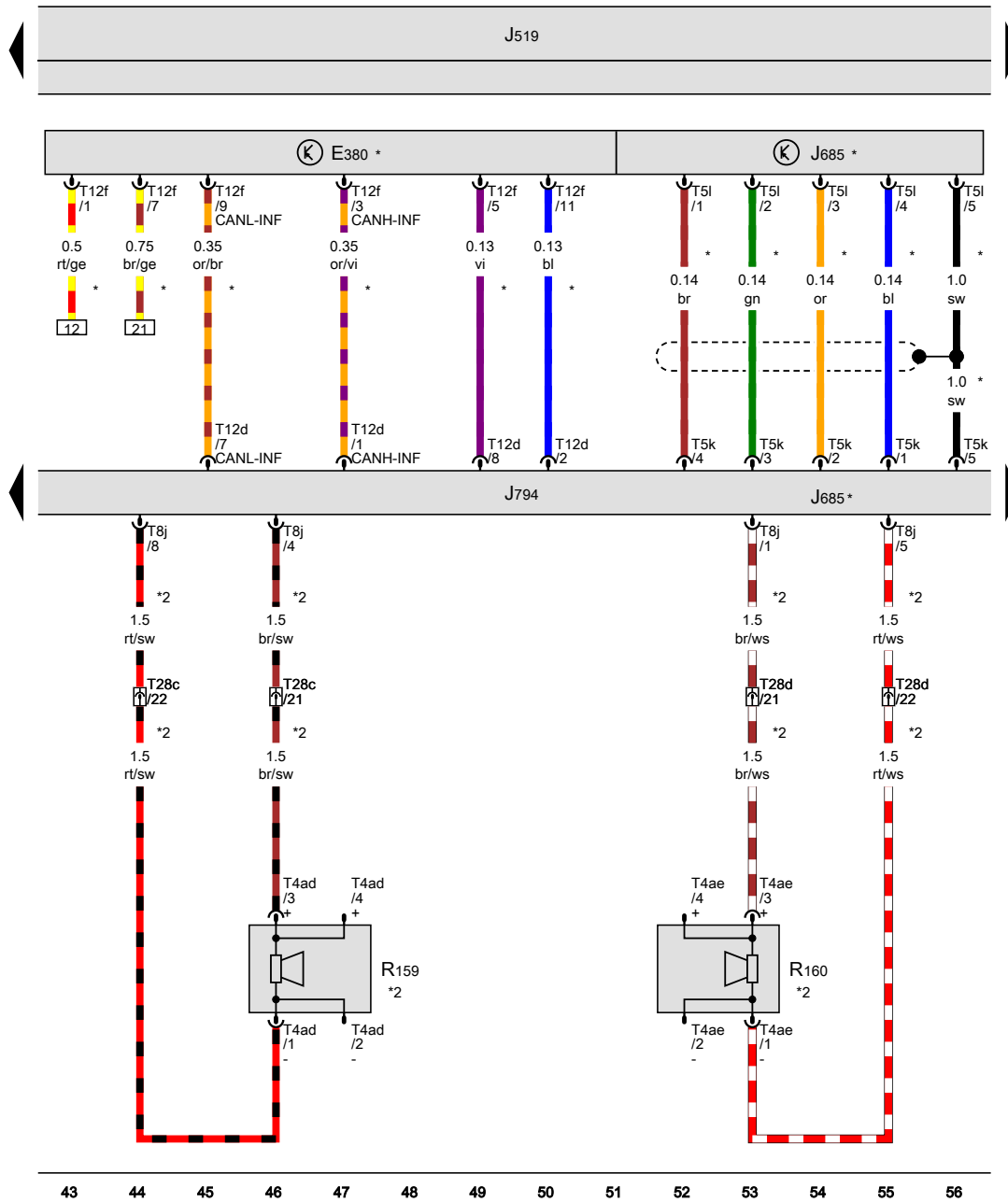


- ws = white
- sw = black
- ro = red
- rt = red
- br = brown
- gn = green
- bl = blue
- gr = grey
- li = purple
- vi = purple
- ge = yellow
- or = orange
- rs = pink

[NH0-126040516]

Multimedia system operating unit, Display unit for front information display and operating unit control unit, Control unit 1 for information electronics, Rear left mid-range and bass loudspeaker, Rear right mid-range and bass loudspeaker

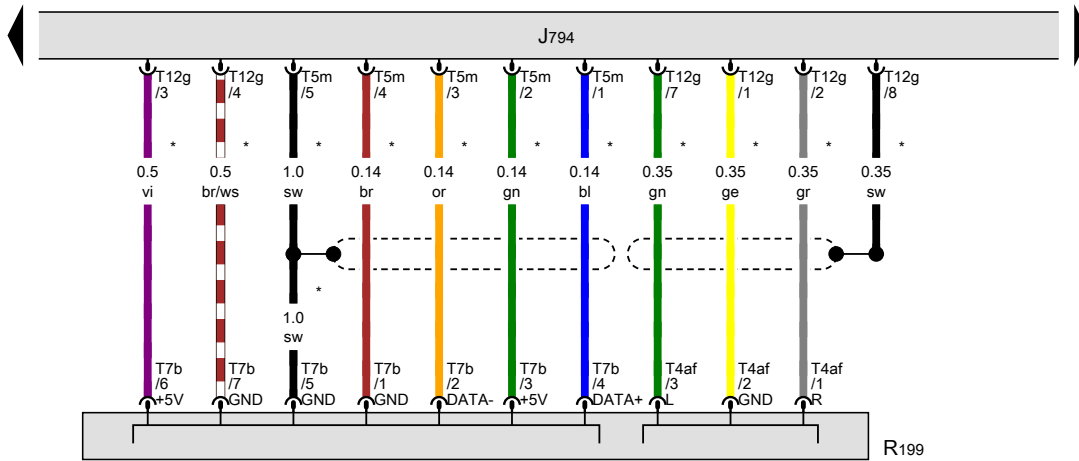
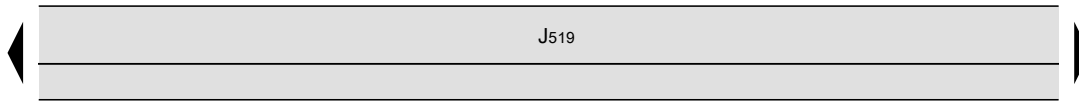
- E380 Multimedia system operating unit
- J519 Onboard supply control unit
- J685 Display unit for front information display and operating unit control unit
- J794 Control unit 1 for information electronics
- R159 Rear left mid-range and bass loudspeaker
- R160 Rear right mid-range and bass loudspeaker
- T4ad 4-pin connector
- T4ae 4-pin connector
- T5k 5-pin connector, pink
- T5l 5-pin connector, blue
- T8j 8-pin connector, brown
- T12d 12-pin connector, grey
- T12f 12-pin connector, black
- T28c 28-pin connector, on left B-pillar
- T28d 28-pin connector, on right B-pillar
- * According to equipment
- *2 Only models with rear loudspeaker



- ws = white
- sw = black
- ro = red
- rt = red
- br = brown
- gn = green
- bl = blue
- gr = grey
- li = purple
- vi = purple
- ge = yellow
- or = orange
- rs = pink

Control unit 1 for information electronics, Connection for external audio sources

- J519 Onboard supply control unit
- J794 Control unit 1 for information electronics
- R199 Connection for external audio sources
- T4af 4-pin connector
- T5m 5-pin connector, yellow
- T7b 7-pin connector
- T12g 12-pin connector, green
- * Special equipment



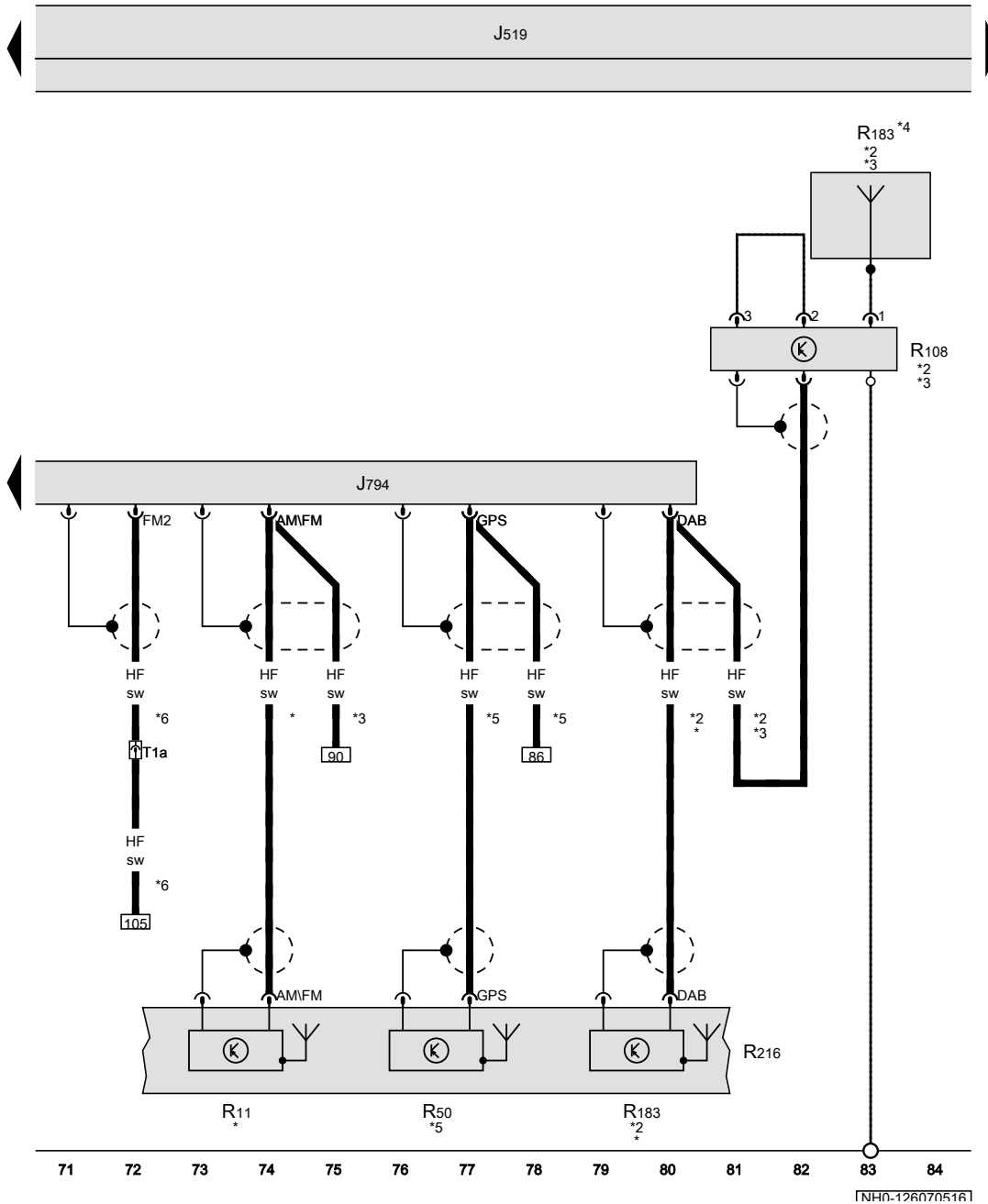
- ws = white
- sw = black
- ro = red
- rt = red
- br = brown
- gn = green
- bl = blue
- gr = grey
- li = purple
- vi = purple
- ge = yellow
- or = orange
- rs = pink

57 58 59 60 61 62 63 64 65 66 67 68 69 70

[NH0-126060516]

Control unit 1 for information electronics, Left aerial module, Digital radio aerial, Roof aerial

- J519 Onboard supply control unit
- J794 Control unit 1 for information electronics
- R11 Aerial
- R50 GPS aerial
- R108 Left aerial module
- R183 Digital radio aerial
- R216 Roof aerial
- T1a Single connector, on right in luggage compartment
- * Only models with no glass roof
- *2 Special equipment
- *3 Only models with glass roof
- *4 Left side window aerial
- *5 According to equipment
- *6 Only models with rear window aerial

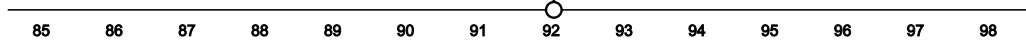
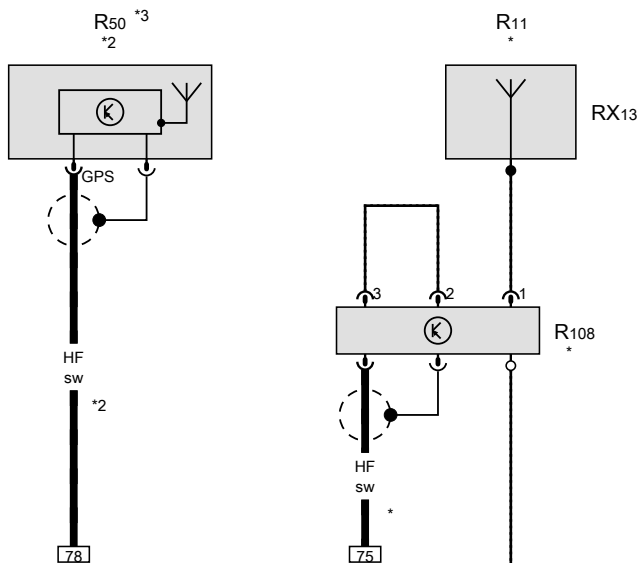
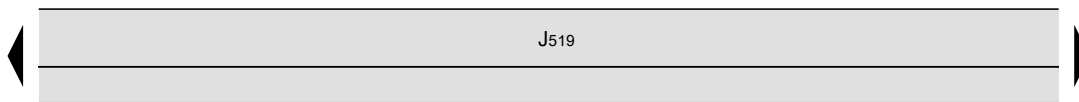


- ws = white
- sw = black
- ro = red
- rt = red
- br = brown
- gn = green
- bl = blue
- gr = grey
- li = purple
- vi = purple
- ge = yellow
- or = orange
- rs = pink

[NH0-126070516]

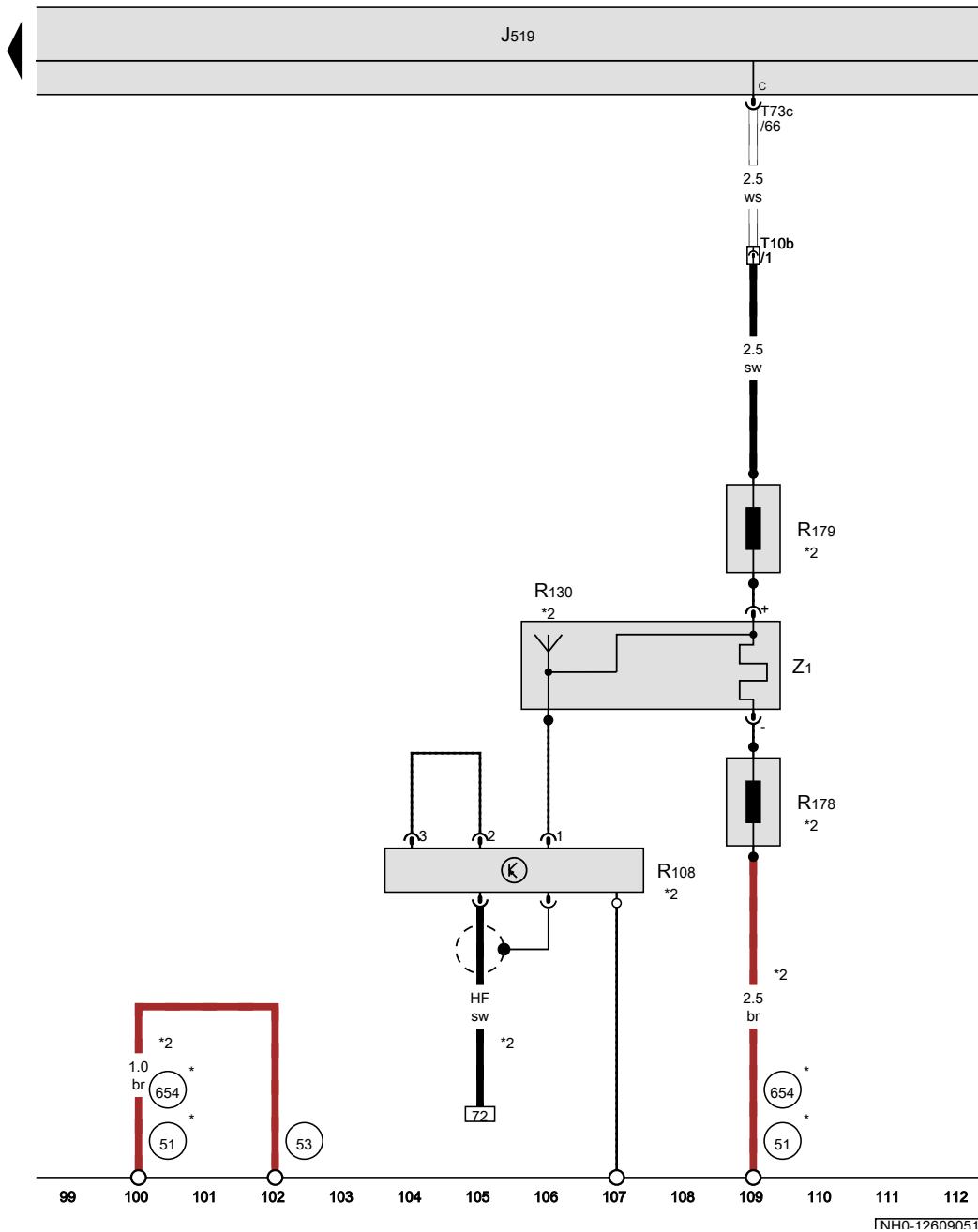
Aerial, GPS aerial, Left aerial module

- J519 Onboard supply control unit
- R11 Aerial
- RX13 Glass roof
- R50 GPS aerial
- R108 Left aerial module, under roof trim
- * Only models with glass roof
- *2 According to equipment
- *3 Aerial, routed under dash panel



[NH0-126080516]

- ws = white
- sw = black
- ro = red
- rt = red
- br = brown
- gn = green
- bl = blue
- gr = grey
- li = purple
- vi = purple
- ge = yellow
- or = orange
- rs = pink



Left aerial module, Rear window aerial 1, Frequency modulation (FM) frequency filter in negative wire, Frequency modulation (FM) frequency filter in positive wire, Heated rear window

- J519 Onboard supply control unit
- R108 Left aerial module
- R130 Rear window aerial 1
- R178 Frequency modulation (FM) frequency filter in negative wire
- R179 Frequency modulation (FM) frequency filter in positive wire
- T10b 10-pin connector
- T73c 73-pin connector, black
- Z1 Heated rear window

- 51 Earth point, on right in luggage compartment
- 53 Earth point, on right in rear lid
- 654 Earth point, on right D-pillar

* see fitting locations
 *2 Only models with rear window aerial

- ws = white
- sw = black
- ro = red
- rt = red
- br = brown
- gn = green
- bl = blue
- gr = grey
- li = purple
- vi = purple
- ge = yellow
- or = orange
- rs = pink

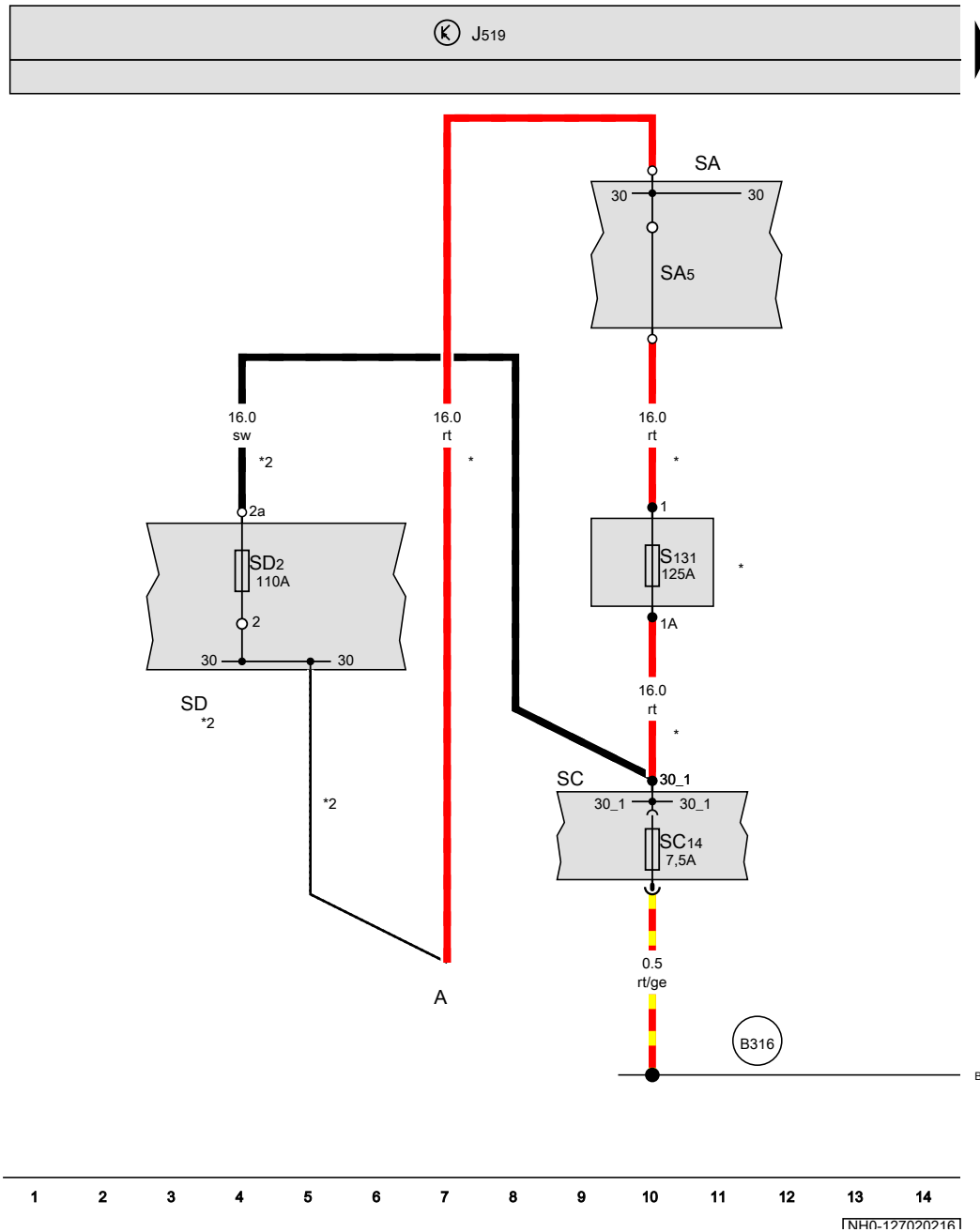
[NH0-126090516]

Wireless data transfer , (EI9),(L0L)

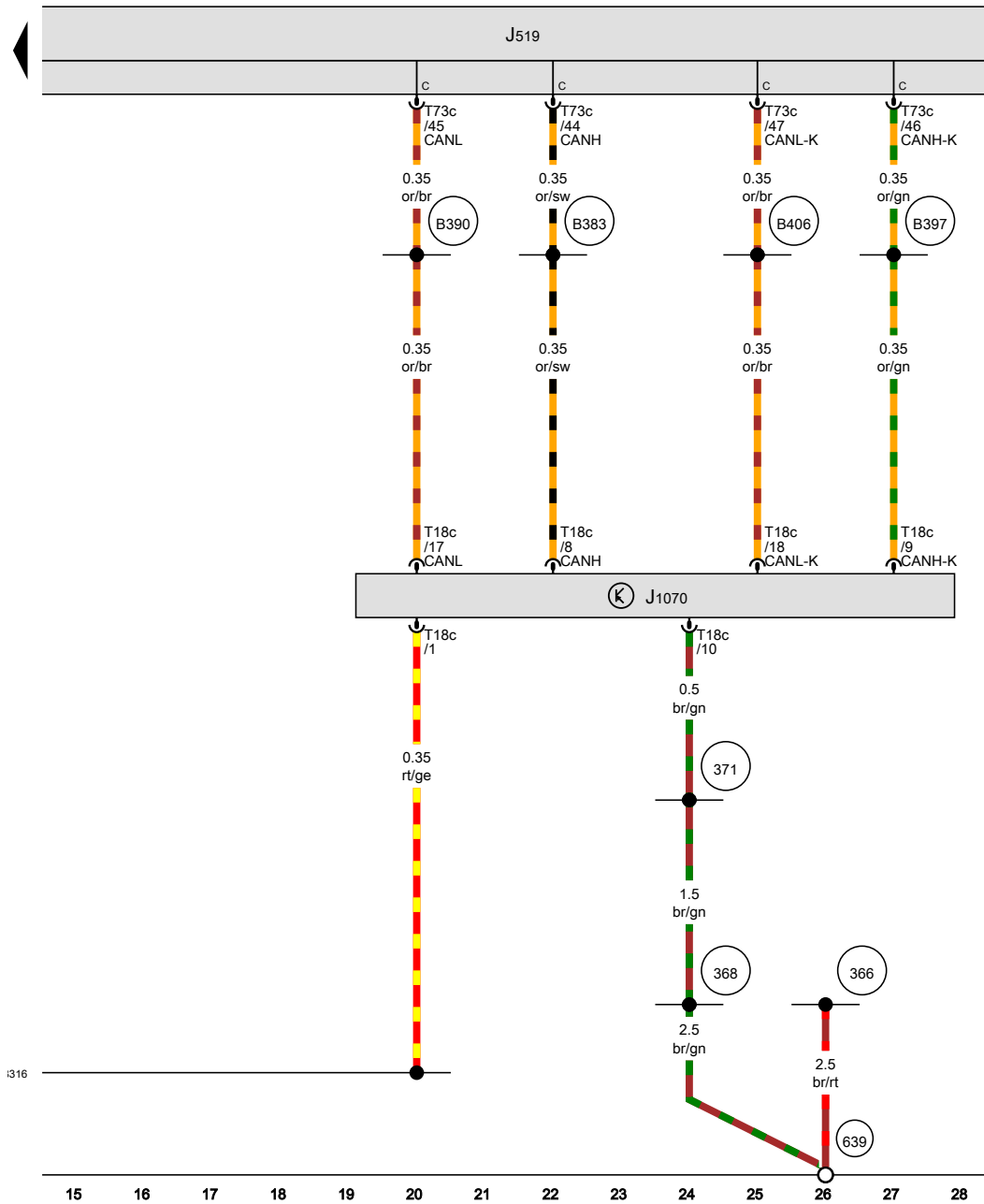
From November 2015

Battery, Fuse holder A, Fuse holder C, Fuse holder D

- A Battery
- J519 Onboard supply control unit
- S131 Fuse 1, in main wiring harness
- SA Fuse holder A
- SD2 Fuse 2 on fuse holder D
- SA5 Fuse 5 in fuse holder A
- SC Fuse holder C
- SC14 Fuse 14 on fuse holder C
- SD Fuse holder D
- B316** Positive connection 2 (30a) in main wiring harness
- * Only models with battery in engine compartment
- *2 Only models with battery in luggage compartment



- ws = white
- sw = black
- ro = red
- rt = red
- br = brown
- gn = green
- bl = blue
- gr = grey
- li = purple
- vi = purple
- ge = yellow
- or = orange
- rs = pink



[NH0-127030216]

Control unit for wireless data transfer

- J519 Onboard supply control unit
- J1070 Control unit for wireless data transfer, under seat on front left
- T18c 18-pin connector
- T73c 73-pin connector, black

- 366 Earth connection 1, in main wiring harness
- 368 Earth connection 3, in main wiring harness
- 371 Earth connection 6, in main wiring harness
- 639 Earth point, left A-pillar
- B316 Positive connection 2 (30a) in main wiring harness
- B383 Connection 1 (powertrain CAN bus, high), in main wiring harness
- B390 Connection 1 (powertrain CAN bus, low), in main wiring harness
- B397 Connection 1 (convenience CAN bus, high), in main wiring harness
- B406 Connection 1 (convenience CAN bus, low), in main wiring harness

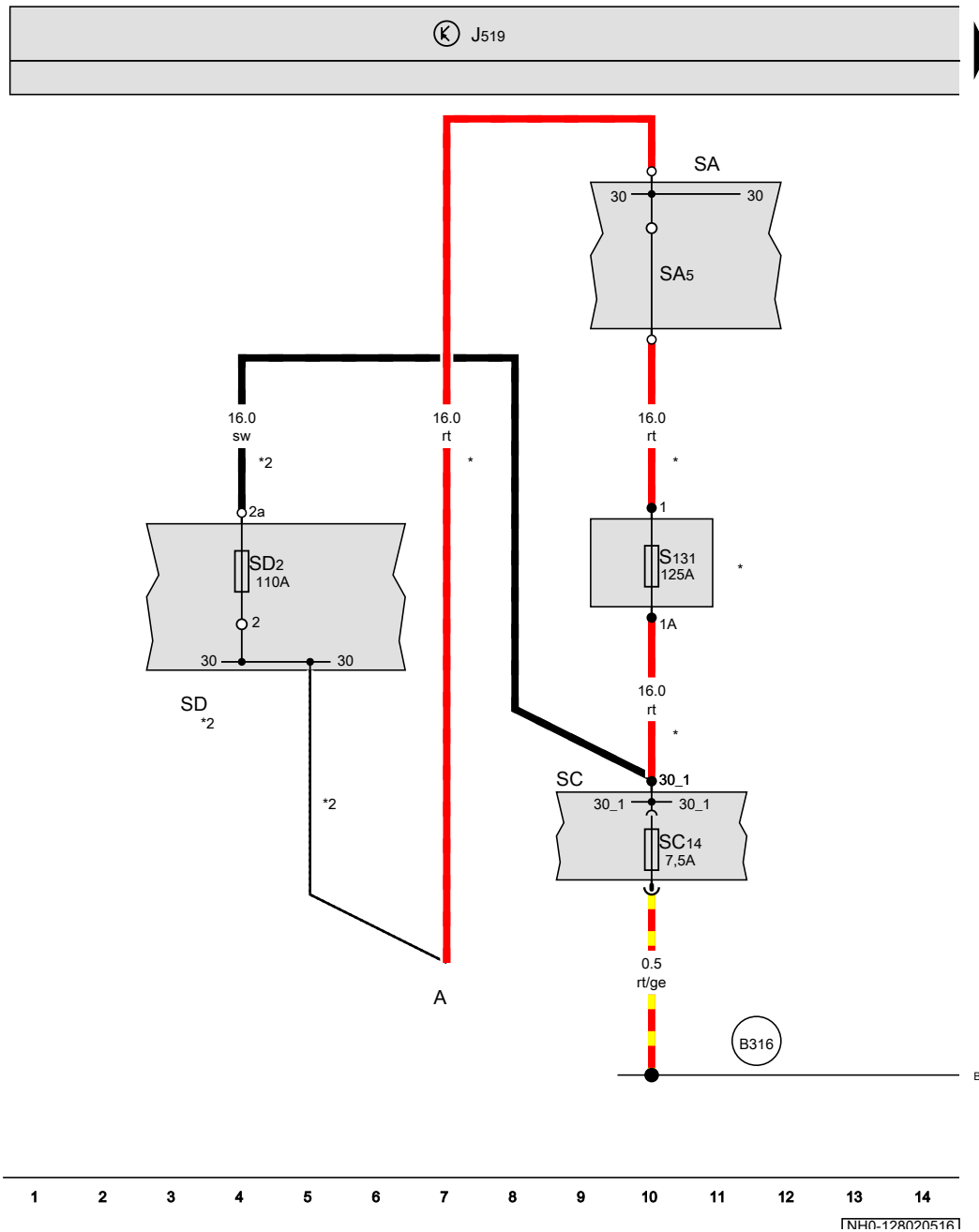
- ws = white
- sw = black
- ro = red
- rt = red
- br = brown
- gn = green
- bl = blue
- gr = grey
- li = purple
- vi = purple
- ge = yellow
- or = orange
- rs = pink

Wireless data transfer , (EI9),(L0R)

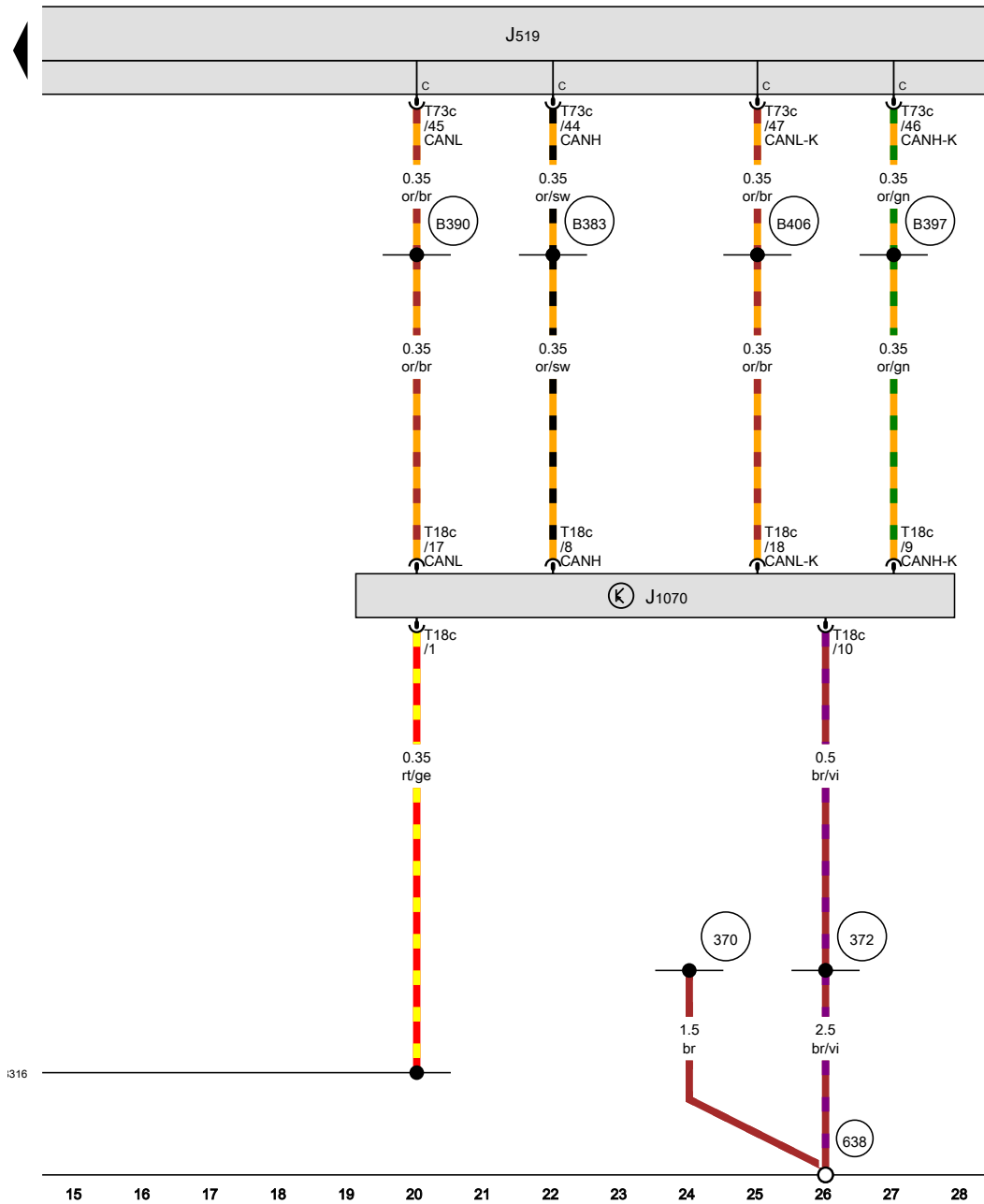
From November 2015

Battery, Fuse holder A, Fuse holder C, Fuse holder D

- A Battery
- J519 Onboard supply control unit
- S131 Fuse 1, in main wiring harness
- SA Fuse holder A
- SD2 Fuse 2 on fuse holder D
- SA5 Fuse 5 in fuse holder A
- SC Fuse holder C
- SC14 Fuse 14 on fuse holder C
- SD Fuse holder D
- B316** Positive connection 2 (30a) in main wiring harness
- * Only models with battery in engine compartment
- *2 Only models with battery in luggage compartment



- ws = white
- sw = black
- ro = red
- rt = red
- br = brown
- gn = green
- bl = blue
- gr = grey
- li = purple
- vi = purple
- ge = yellow
- or = orange
- rs = pink



Control unit for wireless data transfer

- J519 Onboard supply control unit
- J1070 Control unit for wireless data transfer, under seat on front left
- T18c 18-pin connector
- T73c 73-pin connector, black

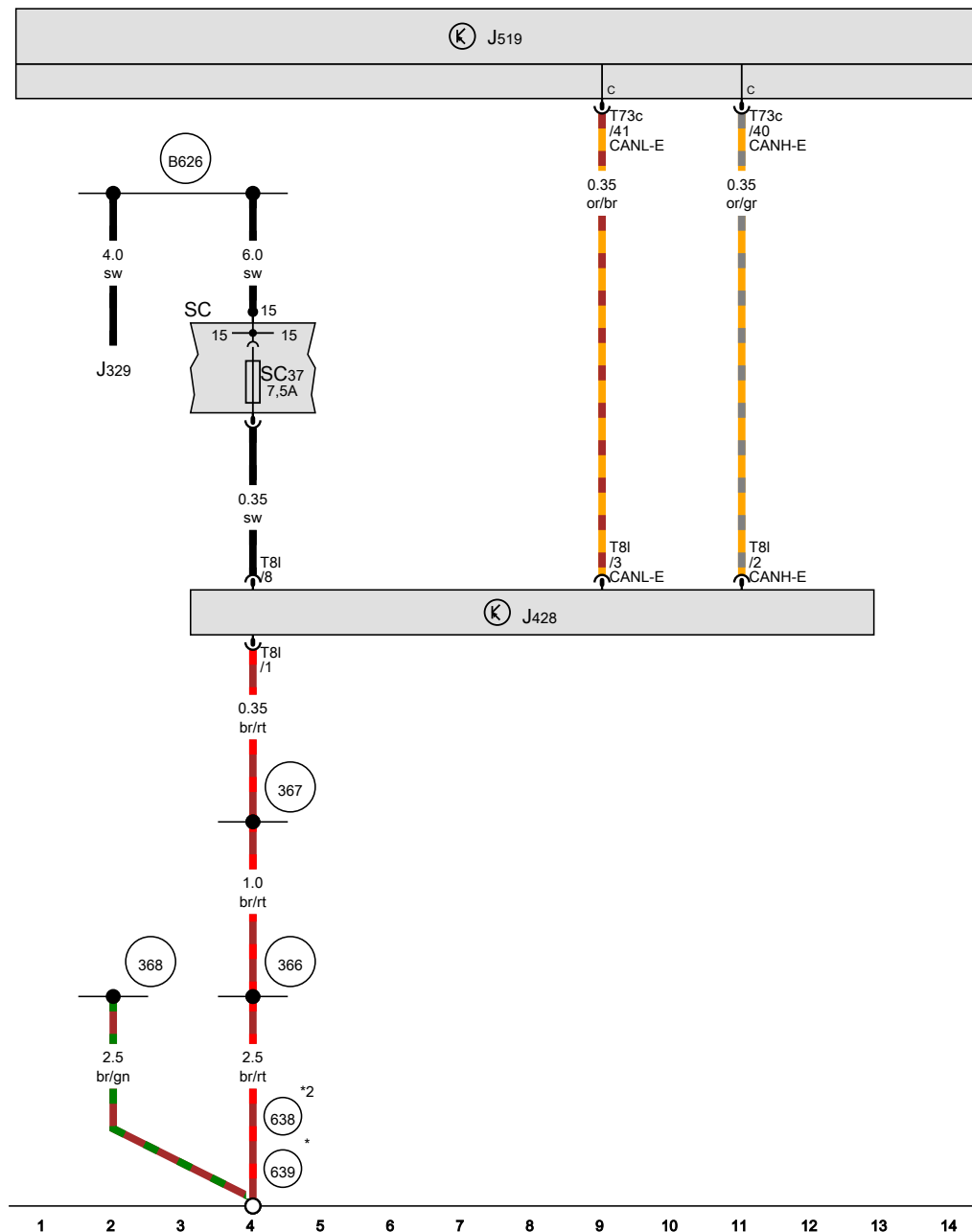
- (370) Earth connection 5, in main wiring harness
- (372) Earth connection 7, in main wiring harness
- (638) Earth point, on right A-pillar
- (B316) Positive connection 2 (30a) in main wiring harness
- (B383) Connection 1 (powertrain CAN bus, high), in main wiring harness
- (B390) Connection 1 (powertrain CAN bus, low), in main wiring harness
- (B397) Connection 1 (convenience CAN bus, high), in main wiring harness
- (B406) Connection 1 (convenience CAN bus, low), in main wiring harness

- ws = white
- sw = black
- ro = red
- rt = red
- br = brown
- gn = green
- bl = blue
- gr = grey
- li = purple
- vi = purple
- ge = yellow
- or = orange
- rs = pink

[NH0-128030516]

Adaptive cruise control

From November 2015



Adaptive cruise control unit, Fuse holder C

- J329 Terminal 15 voltage supply relay
- J428 Adaptive cruise control unit
- J519 Onboard supply control unit
- SC Fuse holder C
- SC37 Fuse 37 on fuse holder C
- T81 8-pin connector
- T73c 73-pin connector, black

- 366 Earth connection 1, in main wiring harness
- 367 Earth connection 2, in main wiring harness
- 368 Earth connection 3, in main wiring harness
- 638 Earth point, on right A-pillar
- 639 Earth point, left A-pillar
- B626 Positive connection 2 (15), in main wiring harness

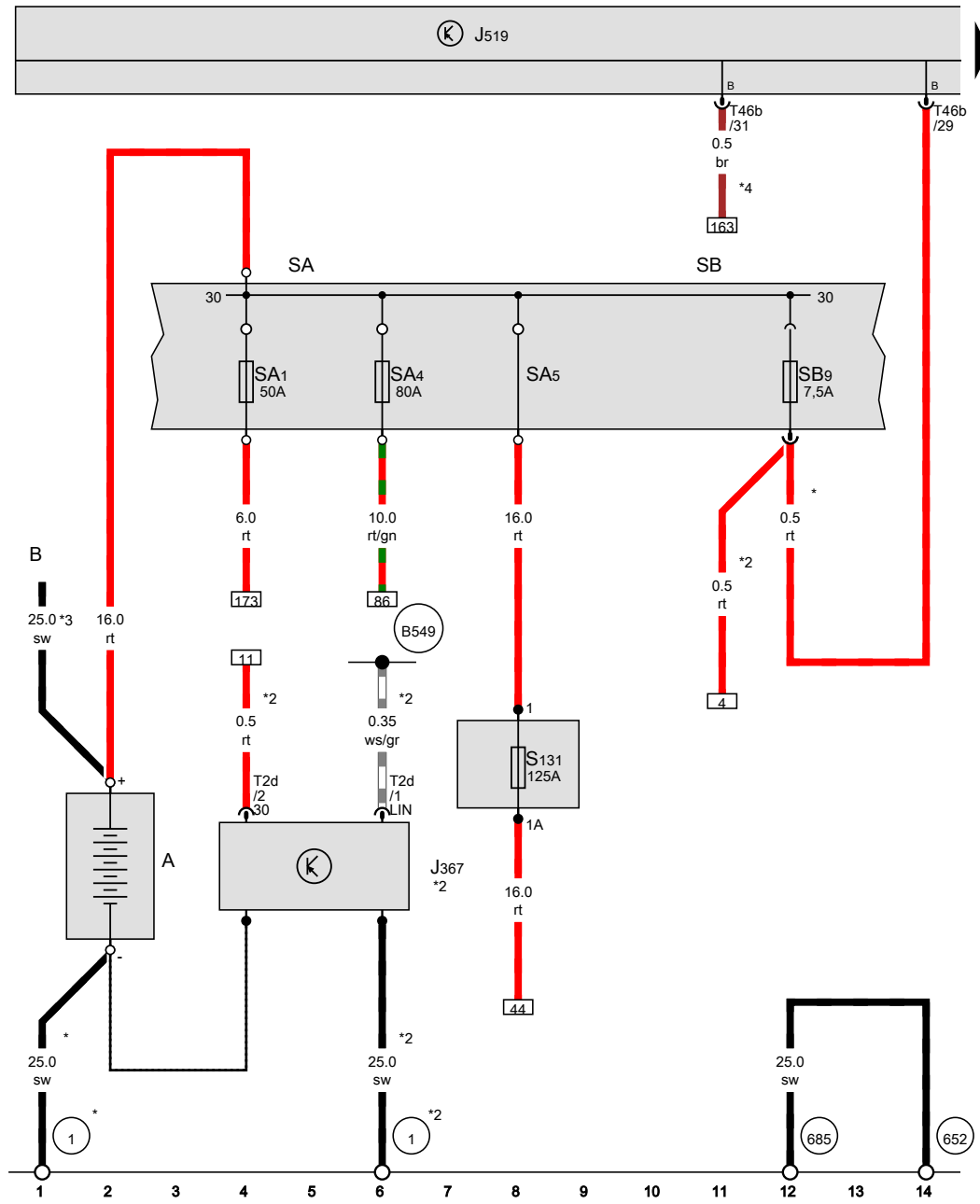
- * Only left-hand drive models
- *2 Only right-hand drive models

- ws = white
- sw = black
- ro = red
- rt = red
- br = brown
- gn = green
- bl = blue
- gr = grey
- li = purple
- vi = purple
- ge = yellow
- or = orange
- rs = pink

[NH0-129020216]

Basic equipment

From May 2016



Battery, Battery monitor control unit, Fuse holder A, Fuse holder B

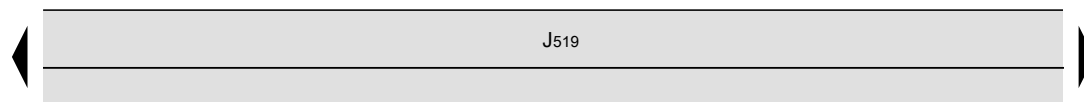
- A Battery
- B Starter
- J367 Battery monitor control unit
- J519 Onboard supply control unit
- S131 Fuse 1, in main wiring harness
- SA Fuse holder A
- SA1 Fuse 1 in fuse holder A
- SA4 Fuse 4 in fuse holder A
- SA5 Fuse 5 in fuse holder A
- SB Fuse holder B
- SB9 Fuse 9 on fuse holder B
- T2d 2-pin connector
- T46b 46-pin connector, brown

- 1 Earth strap, battery - body
- 652 Earth point, engine and gearbox earth
- 685 Earth point 1 at front of right longitudinal member
- B549 Connection 2 (LIN bus) in main wiring harness

- * Only models with no start/stop system
- *2 Only models with start/stop system
- *3 see applicable current flow diagram for engine
- *4 According to equipment

- ws = white
- sw = black
- ro = red
- rt = red
- br = brown
- gn = green
- bl = blue
- gr = grey
- li = purple
- vi = purple
- ge = yellow
- or = orange
- rs = pink

[NH0-130020516]



Fuse holder C

- E1 Light switch
- E45 Cruise control system switch
- J234 Airbag control unit
- J293 Radiator fan control unit
- J519 Onboard supply control unit
- SC Fuse holder C
- SC29 Fuse 29 on fuse holder C
- SC30 Fuse 30 on fuse holder C
- SC31 Fuse 31 on fuse holder C
- SC32 Fuse 32 on fuse holder C
- T10e 10-pin connector

(B277) Positive connection 1 (15a) in main wiring harness

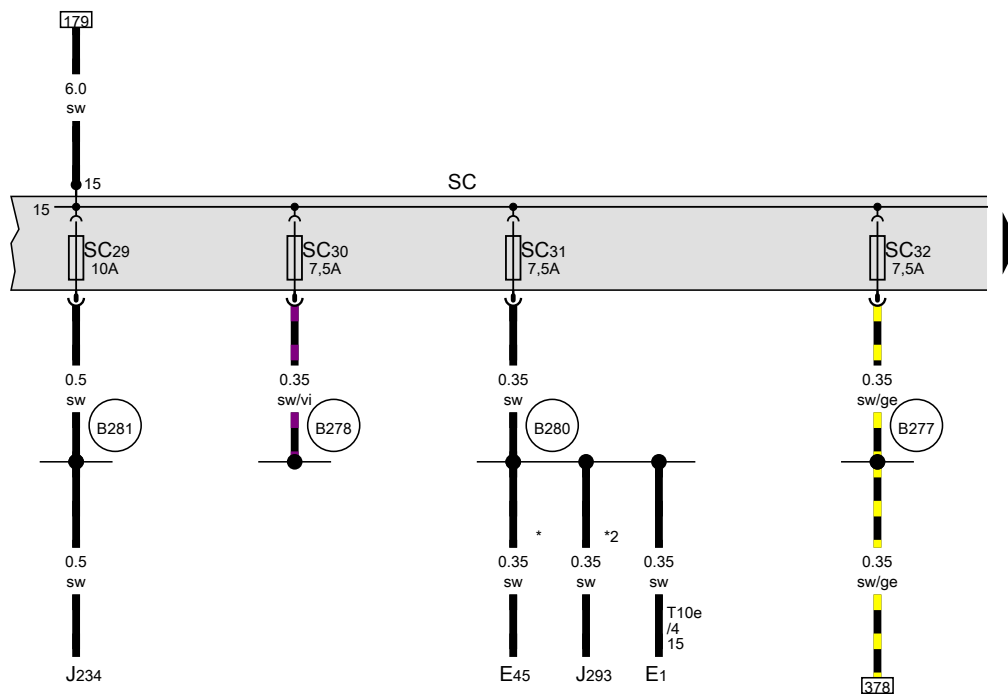
(B278) Positive connection 2 (15a) in main wiring harness

(B280) Positive connection 4 (15a) in main wiring harness

(B281) Positive connection 5 (15a) in main wiring harness

* Only models with cruise control system (CCS)

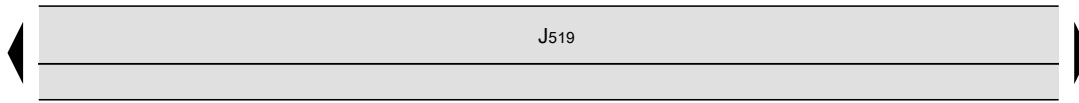
*2 According to equipment



- ws = white
- sw = black
- ro = red
- rt = red
- br = brown
- gn = green
- bl = blue
- gr = grey
- li = purple
- vi = purple
- ge = yellow
- or = orange
- rs = pink

15 16 17 18 19 20 21 22 23 24 25 26 27 28

[NH0-130030516]

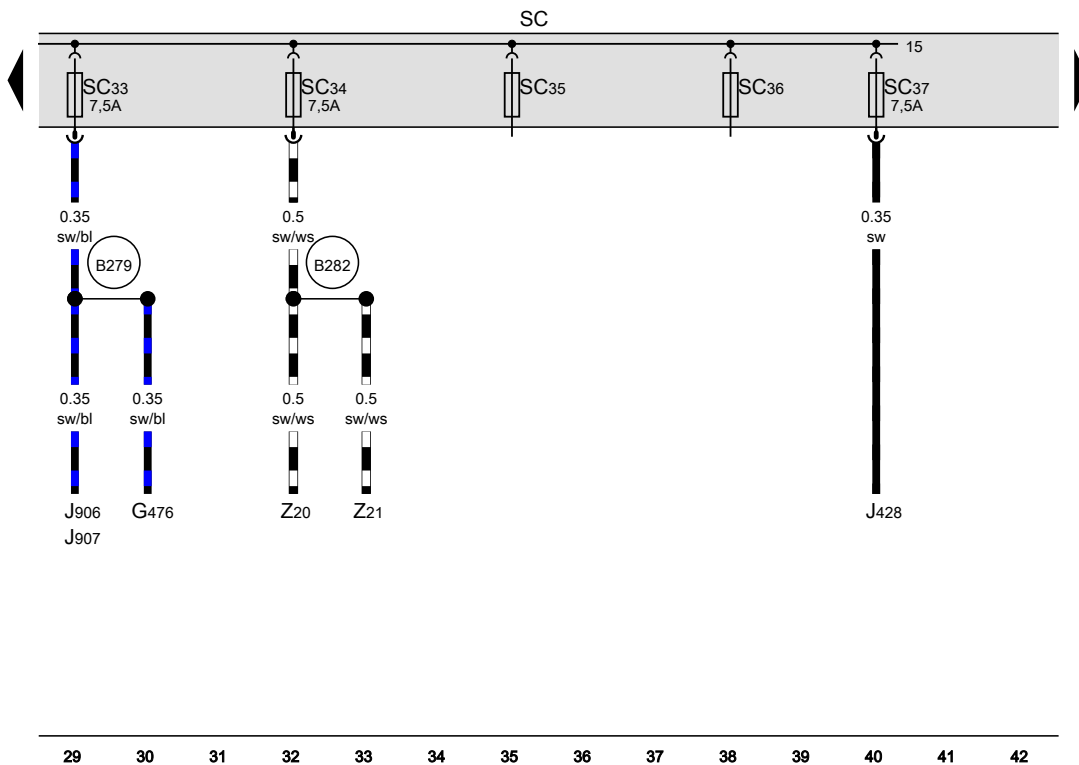


Fuse holder C

- G476 Clutch position sender
- J428 Adaptive cruise control unit
- J519 Onboard supply control unit
- J906 Starter relay 1
- J907 Starter relay 2
- SC Fuse holder C
- SC33 Fuse 33 on fuse holder C
- SC34 Fuse 34 on fuse holder C
- SC35 Fuse 35 on fuse holder C
- SC36 Fuse 36 on fuse holder C
- SC37 Fuse 37 on fuse holder C
- Z20 Left washer jet heater element
- Z21 Right washer jet heater element

B279 Positive connection 3 (15a) in main wiring harness

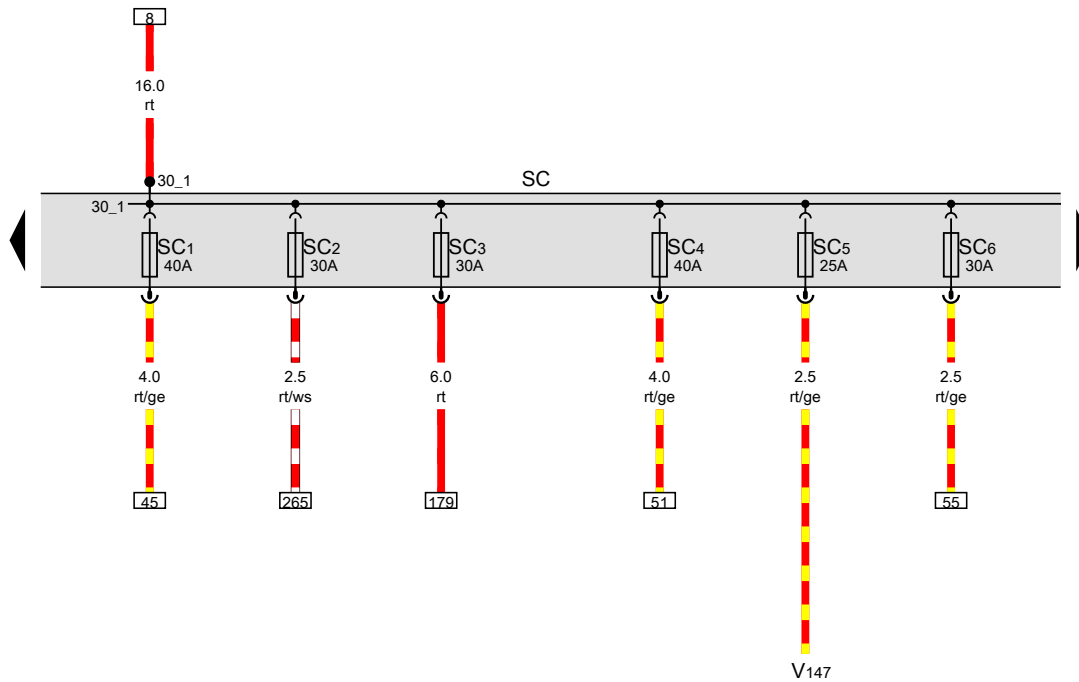
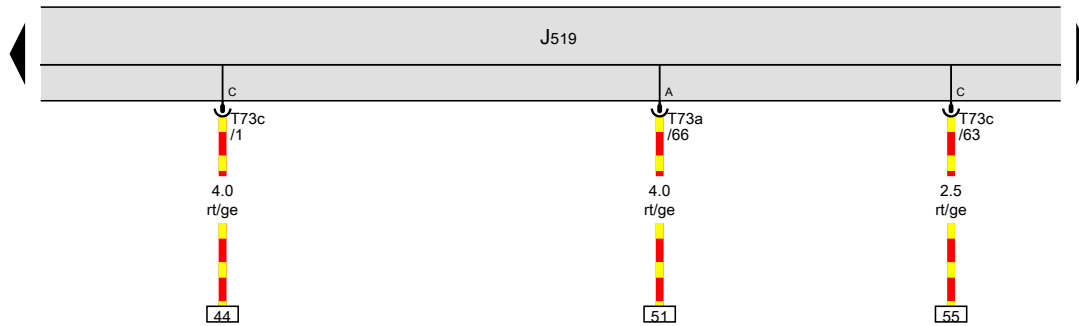
B282 Positive connection 6 (15a) in main wiring harness



- ws = white
- sw = black
- ro = red
- rt = red
- br = brown
- gn = green
- bl = blue
- gr = grey
- li = purple
- vi = purple
- ge = yellow
- or = orange
- rs = pink

29 30 31 32 33 34 35 36 37 38 39 40 41 42

[NH0-130040516]



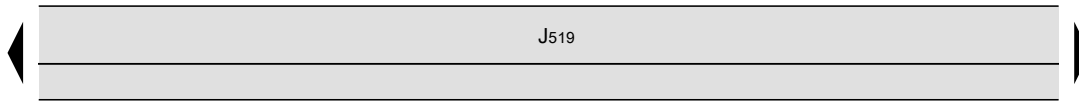
Fuse holder C

- J519 Onboard supply control unit
- SC Fuse holder C
- SC1 Fuse 1 on fuse holder C
- SC2 Fuse 2 on fuse holder C
- SC3 Fuse 3 on fuse holder C
- SC4 Fuse 4 on fuse holder C
- SC5 Fuse 5 on fuse holder C
- SC6 Fuse 6 on fuse holder C
- T73a 73-pin connector, black
- T73c 73-pin connector, black
- V147 Driver side window regulator motor

- ws = white
- sw = black
- ro = red
- rt = red
- br = brown
- gn = green
- bl = blue
- gr = grey
- li = purple
- vi = purple
- ge = yellow
- or = orange
- rs = pink

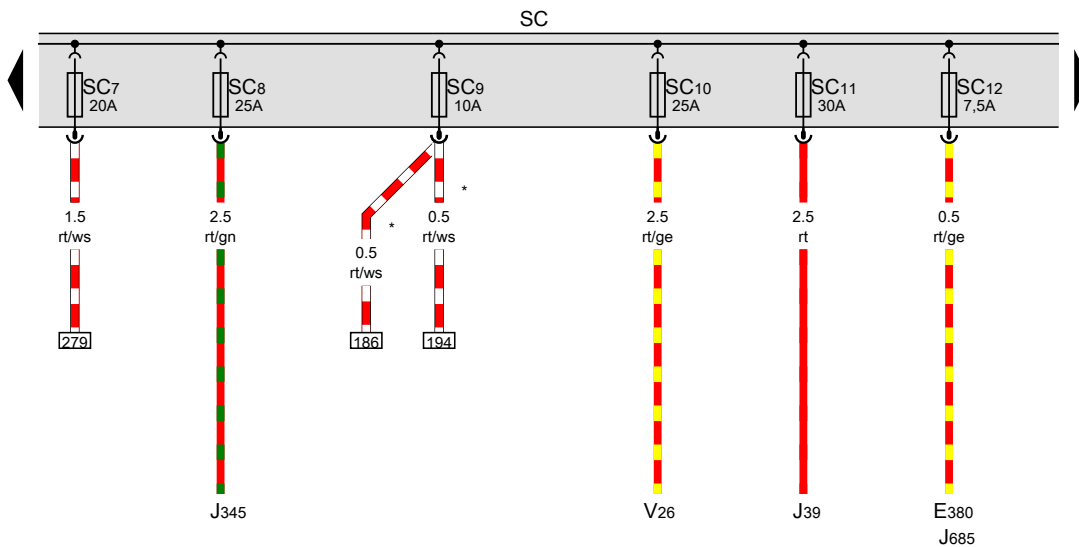
43 44 45 46 47 48 49 50 51 52 53 54 55 56

[NH0-130050516]



Fuse holder C

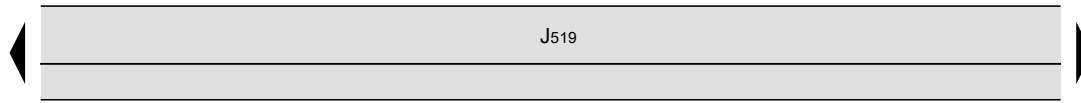
- E380 Multimedia system operating unit
- J39 Headlight washer system relay
- J345 Trailer detector control unit, on right in luggage compartment
- J519 Onboard supply control unit
- J685 Display unit for front information display and operating unit control unit
- SC Fuse holder C
- SC7 Fuse 7 on fuse holder C
- SC8 Fuse 8 on fuse holder C
- SC9 Fuse 9 on fuse holder C
- SC10 Fuse 10 on fuse holder C
- SC11 Fuse 11 on fuse holder C
- SC12 Fuse 12 on fuse holder C
- V26 Rear left window regulator motor
- * Only models with no entry and start authorisation



- ws = white
- sw = black
- ro = red
- rt = red
- br = brown
- gn = green
- bl = blue
- gr = grey
- li = purple
- vi = purple
- ge = yellow
- or = orange
- rs = pink

57 58 59 60 61 62 63 64 65 66 67 68 69 70

[NH0-130060516]



Fuse holder C

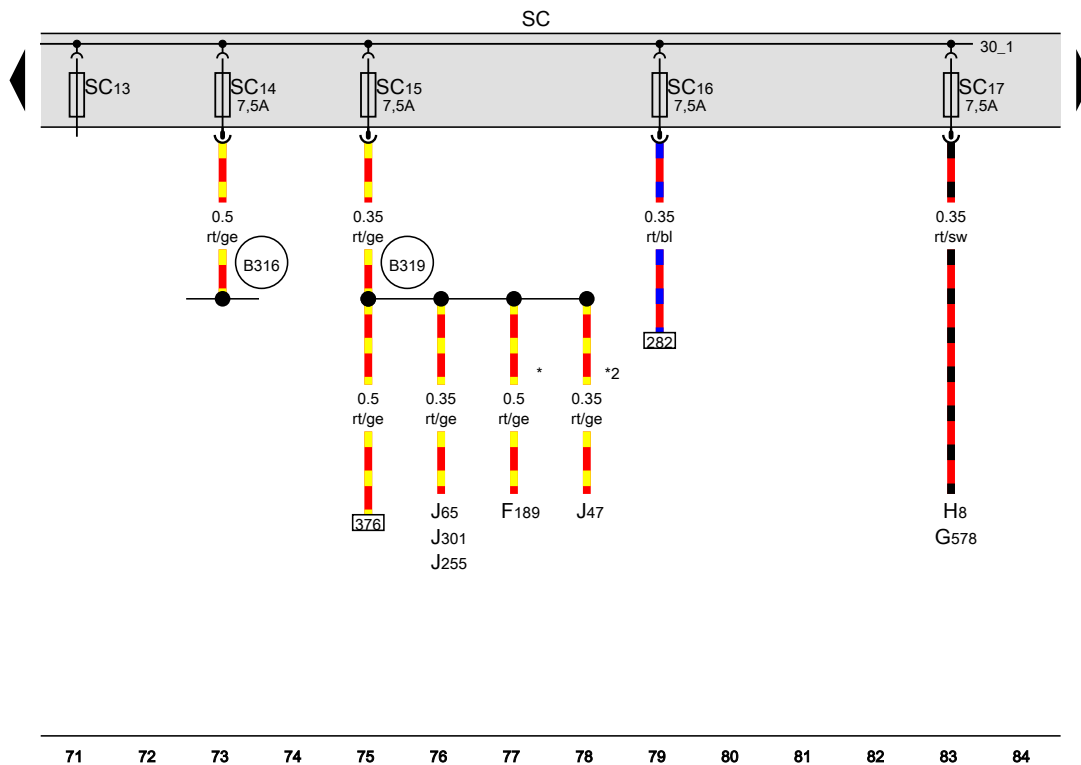
- F189 Tiptronic switch
- G578 Anti-theft alarm sensor
- H8 Anti-theft alarm system horn
- J47 Heated windscreen relay
- J65 Heater control unit
- J255 Climatronic control unit
- J301 Air conditioning system control unit
- J519 Onboard supply control unit
- SC Fuse holder C
- SC13 Fuse 13 on fuse holder C
- SC14 Fuse 14 on fuse holder C
- SC15 Fuse 15 on fuse holder C
- SC16 Fuse 16 on fuse holder C
- SC17 Fuse 17 on fuse holder C

B316 Positive connection 2 (30a) in main wiring harness

B319 Positive connection 5 (30a) in main wiring harness

* Only models with automatic gearbox

*2 Only models with equipment for Russia

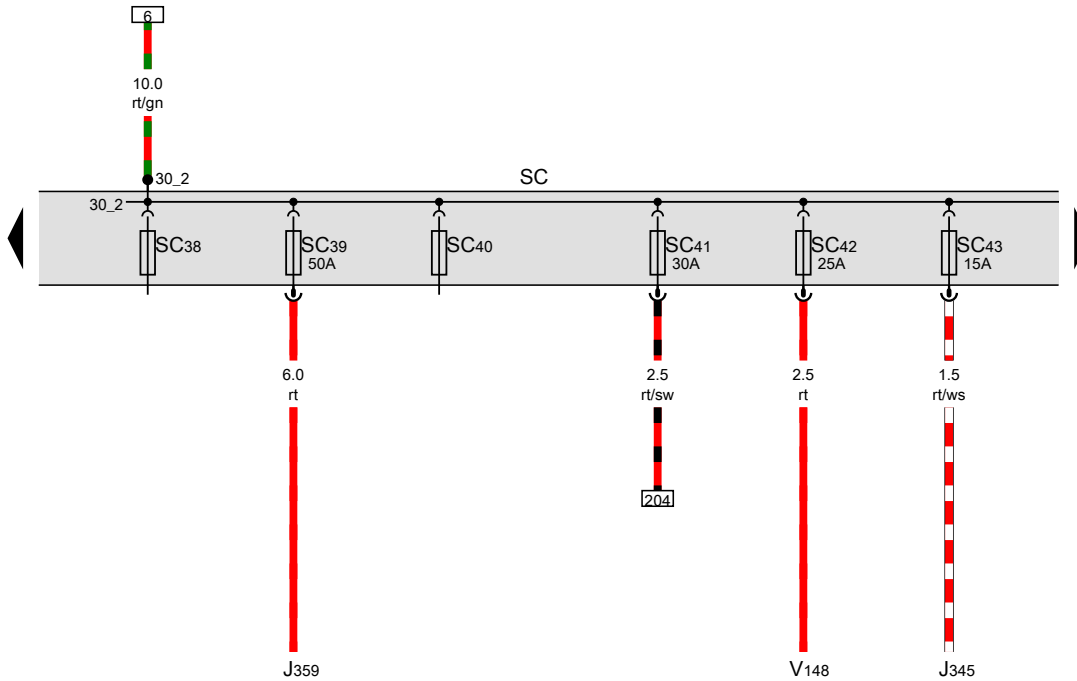
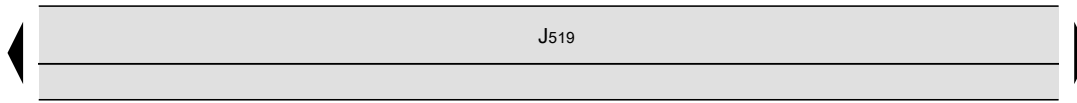


- ws = white
- sw = black
- ro = red
- rt = red
- br = brown
- gn = green
- bl = blue
- gr = grey
- li = purple
- vi = purple
- ge = yellow
- or = orange
- rs = pink

[NH0-130070516]

Fuse holder C

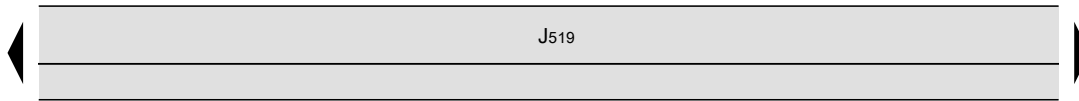
- J345 Trailer detector control unit, on right in luggage compartment
- J359 Low heat output relay
- J519 Onboard supply control unit
- SC Fuse holder C
- SC38 Fuse 38 on fuse holder C
- SC39 Fuse 39 on fuse holder C
- SC40 Fuse 40 on fuse holder C
- SC41 Fuse 41 on fuse holder C
- SC42 Fuse 42 on fuse holder C
- SC43 Fuse 43 on fuse holder C
- V148 Front passenger side window regulator motor



- ws = white
- sw = black
- ro = red
- rt = red
- br = brown
- gn = green
- bl = blue
- gr = grey
- li = purple
- vi = purple
- ge = yellow
- or = orange
- rs = pink

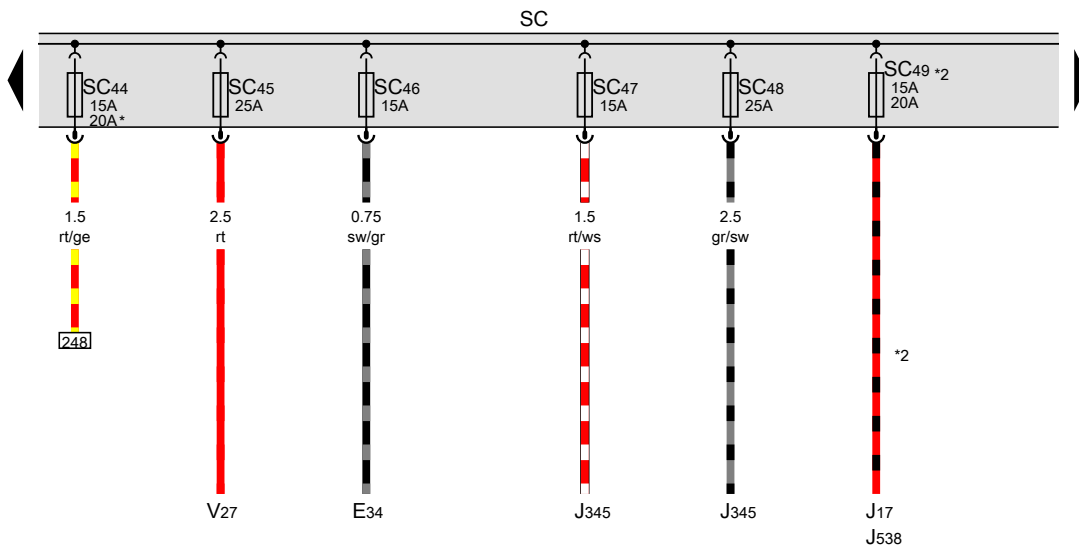
85 86 87 88 89 90 91 92 93 94 95 96 97 98

[NH0-130080516]



Fuse holder C

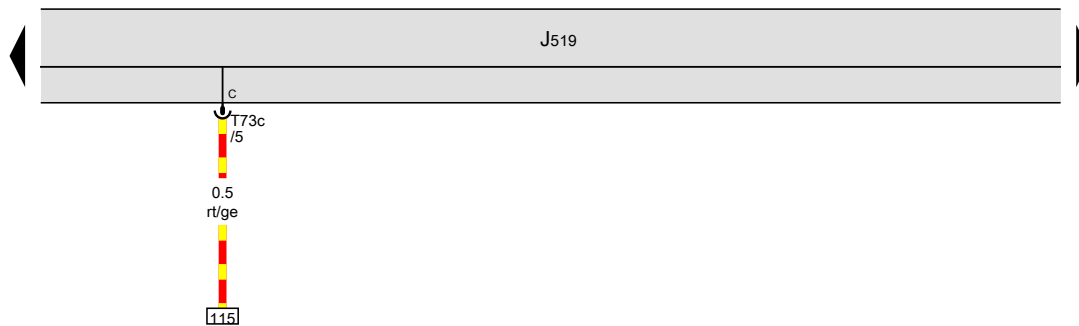
- E34 Rear wiper switch
- J17 Fuel pump relay
- J345 Trailer detector control unit, on right in luggage compartment
- J519 Onboard supply control unit
- J538 Fuel pump control unit
- SC Fuse holder C
- SC44 Fuse 44 on fuse holder C
- SC45 Fuse 45 on fuse holder C
- SC46 Fuse 46 on fuse holder C
- SC47 Fuse 47 on fuse holder C
- SC48 Fuse 48 on fuse holder C
- SC49 Fuse 49 on fuse holder C
- V27 Rear right window regulator motor
- * Only models with 12 V socket in luggage compartment
- *2 see applicable current flow diagram for engine



- ws = white
- sw = black
- ro = red
- rt = red
- br = brown
- gn = green
- bl = blue
- gr = grey
- li = purple
- vi = purple
- ge = yellow
- or = orange
- rs = pink

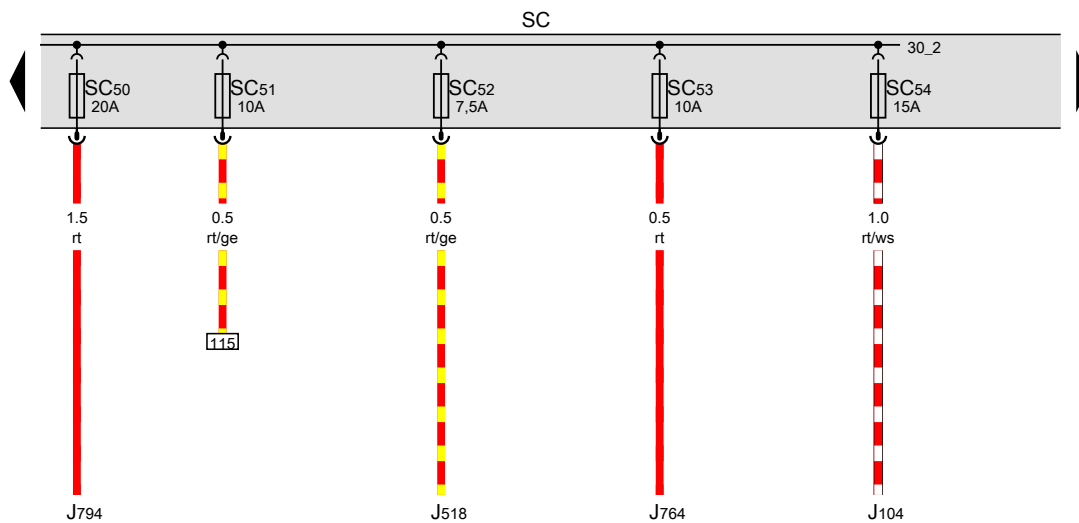
99 100 101 102 103 104 105 106 107 108 109 110 111 112

[NH0-130090516]



Fuse holder C

- J104 ABS control unit
- J518 Entry and start authorisation control unit
- J519 Onboard supply control unit
- J764 Control unit for electronic steering column lock
- J794 Control unit 1 for information electronics
- SC Fuse holder C
- SC50 Fuse 50 on fuse holder C
- SC51 Fuse 51 on fuse holder C
- SC52 Fuse 52 on fuse holder C
- SC53 Fuse 53 on fuse holder C
- SC54 Fuse 54 on fuse holder C
- T73c 73-pin connector, black



- ws = white
- sw = black
- ro = red
- rt = red
- br = brown
- gn = green
- bl = blue
- gr = grey
- li = purple
- vi = purple
- ge = yellow
- or = orange
- rs = pink

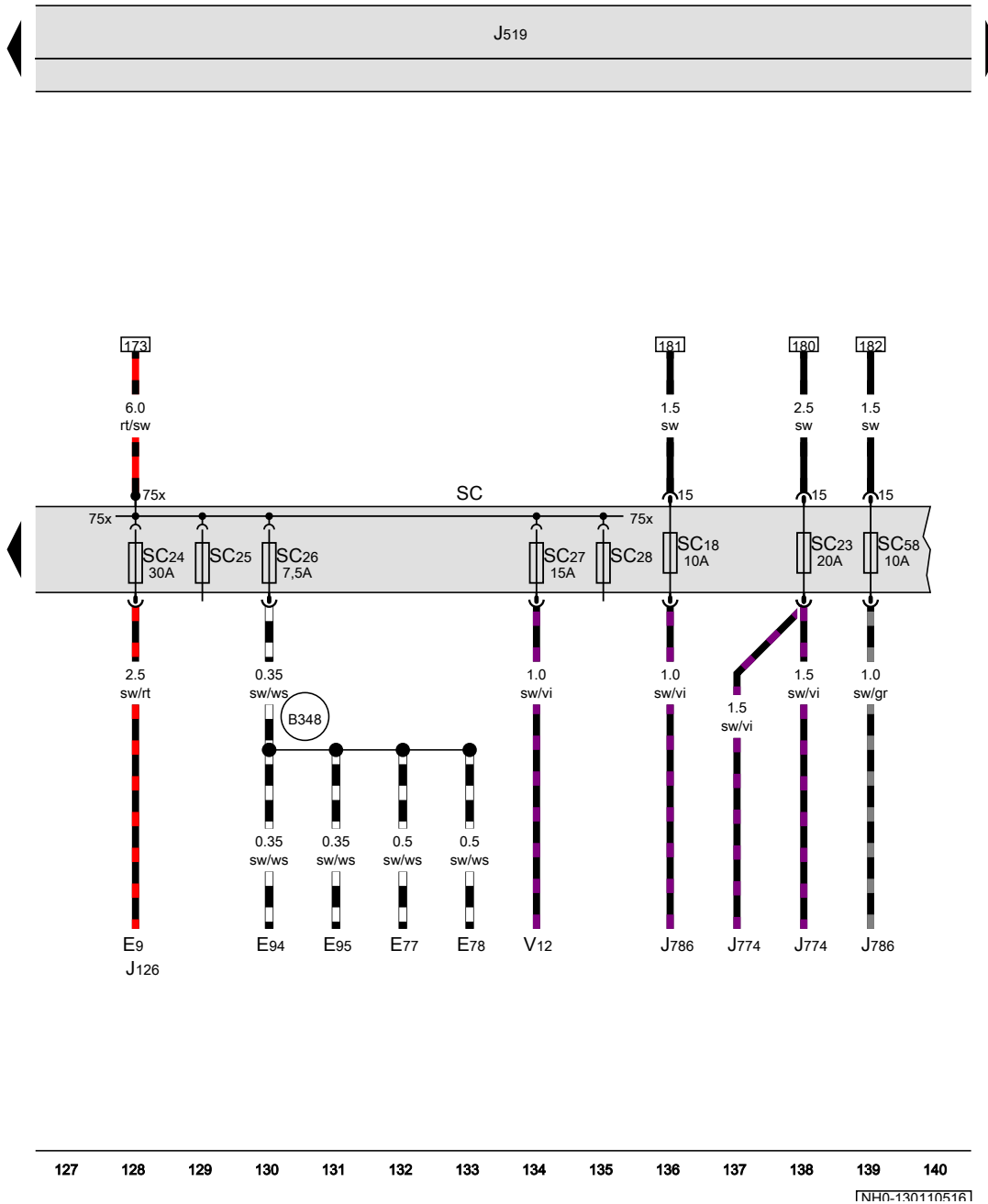
113 114 115 116 117 118 119 120 121 122 123 124 125 126

[NH0-130100516]

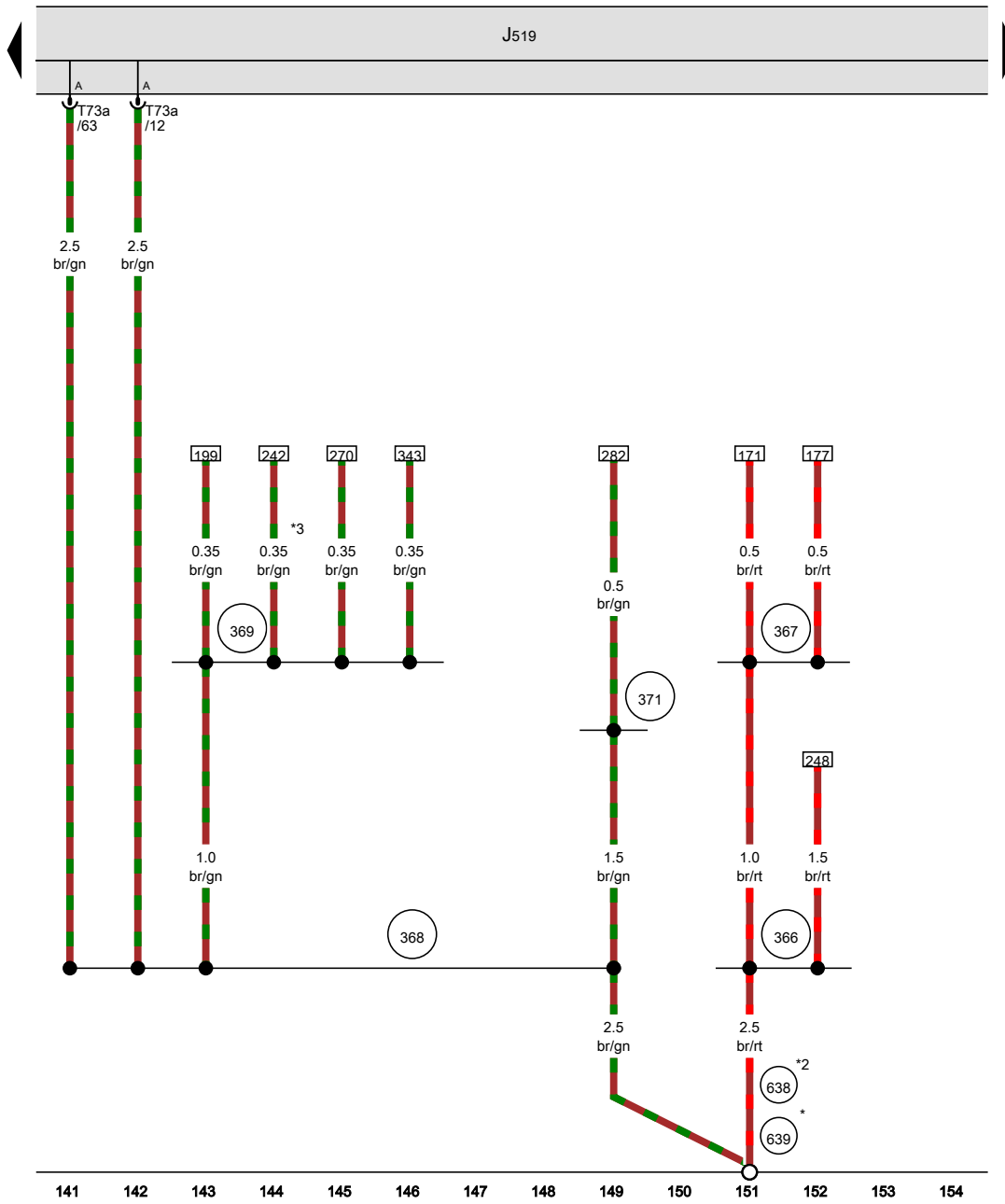
Fuse holder C

- E9 Fresh air blower switch
- E77 Rear left seat heating switch
- E78 Rear right seat heating switch
- E94 Heated driver seat regulator
- E95 Heated front passenger seat regulator
- J126 Fresh air blower control unit
- J519 Onboard supply control unit
- J774 Heated front seats control unit, behind dash panel, centre
- J786 Heated rear seats control unit, on left in luggage compartment
- SC Fuse holder C
- SC18 Fuse 18 on fuse holder C
- SC23 Fuse 23 on fuse holder C
- SC24 Fuse 24 on fuse holder C
- SC25 Fuse 25 on fuse holder C
- SC26 Fuse 26 on fuse holder C
- SC27 Fuse 27 on fuse holder C
- SC28 Fuse 28 on fuse holder C
- SC58 Fuse 58 on fuse holder C
- V12 Rear window wiper motor

B348 Connection 1 (75a), in main wiring harness



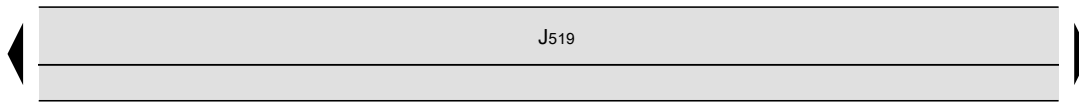
[NH0-130110516]



- J519 Onboard supply control unit
- T73a 73-pin connector, black
- 366 Earth connection 1, in main wiring harness
- 367 Earth connection 2, in main wiring harness
- 368 Earth connection 3, in main wiring harness
- 369 Earth connection 4, in main wiring harness
- 371 Earth connection 6, in main wiring harness
- 638 Earth point, on right A-pillar
- 639 Earth point, left A-pillar
- * Only left-hand drive models
- *2 Only right-hand drive models
- *3 Special equipment

- ws = white
- sw = black
- ro = red
- rt = red
- br = brown
- gn = green
- bl = blue
- gr = grey
- li = purple
- vi = purple
- ge = yellow
- or = orange
- rs = pink

[NH-130120516]



J519 Onboard supply control unit

12 Earth point, on left in engine compartment

370 Earth connection 5, in main wiring harness

372 Earth connection 7, in main wiring harness

377 Earth connection 12, in main wiring harness

378 Earth connection 13, in main wiring harness

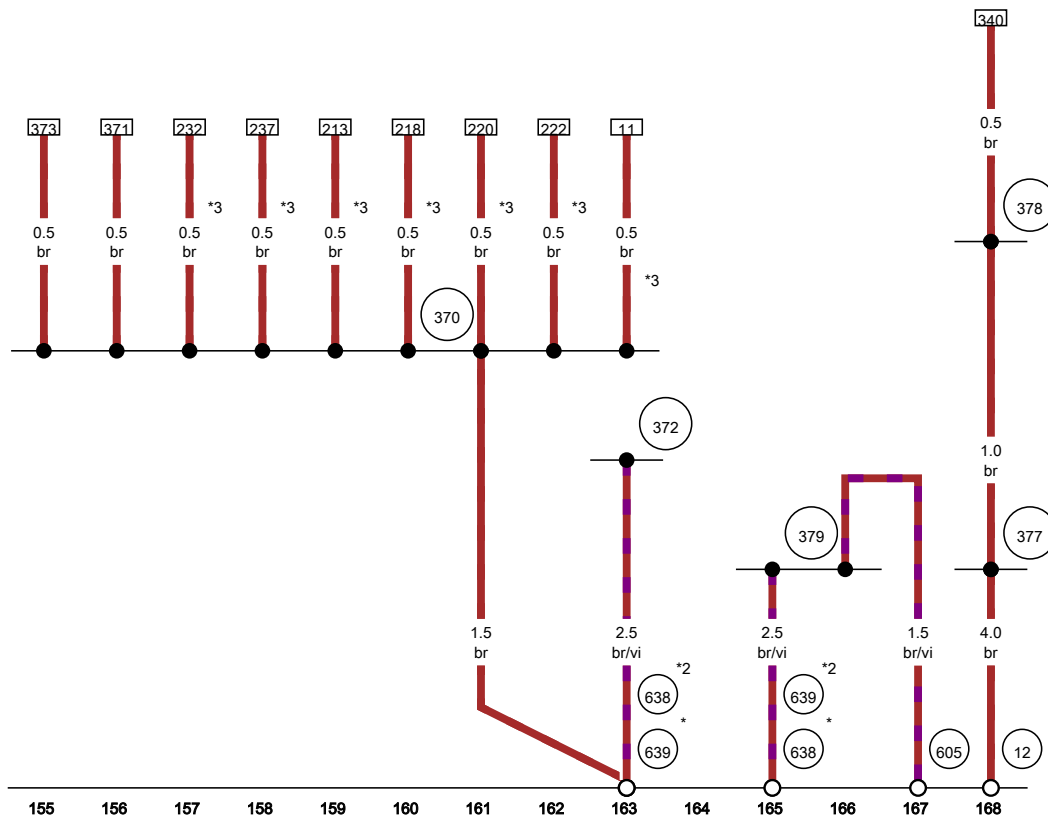
379 Earth connection 14, in main wiring harness

605 Earth point, on top end of steering column

638 Earth point, on right A-pillar

639 Earth point, left A-pillar

- * Only left-hand drive models
- *2 Only right-hand drive models
- *3 According to equipment



- ws = white
- sw = black
- ro = red
- rt = red
- br = brown
- gn = green
- bl = blue
- gr = grey
- li = purple
- vi = purple
- ge = yellow
- or = orange
- rs = pink

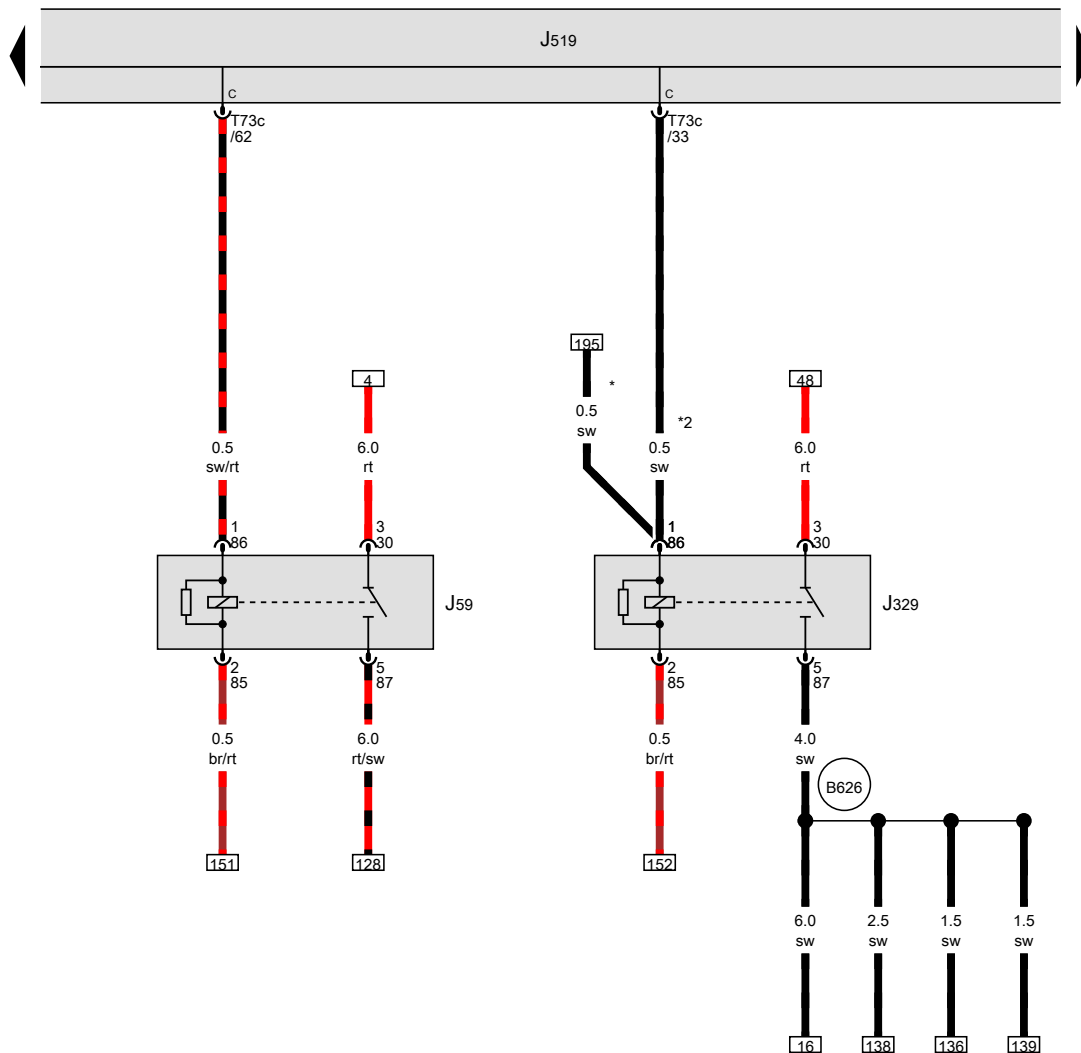
[NH0-130130516]

X-contact relief relay, Terminal 15 voltage supply relay

- J59 X-contact relief relay
- J329 Terminal 15 voltage supply relay
- J519 Onboard supply control unit
- T73c 73-pin connector, black

B626 Positive connection 2 (15), in main wiring harness

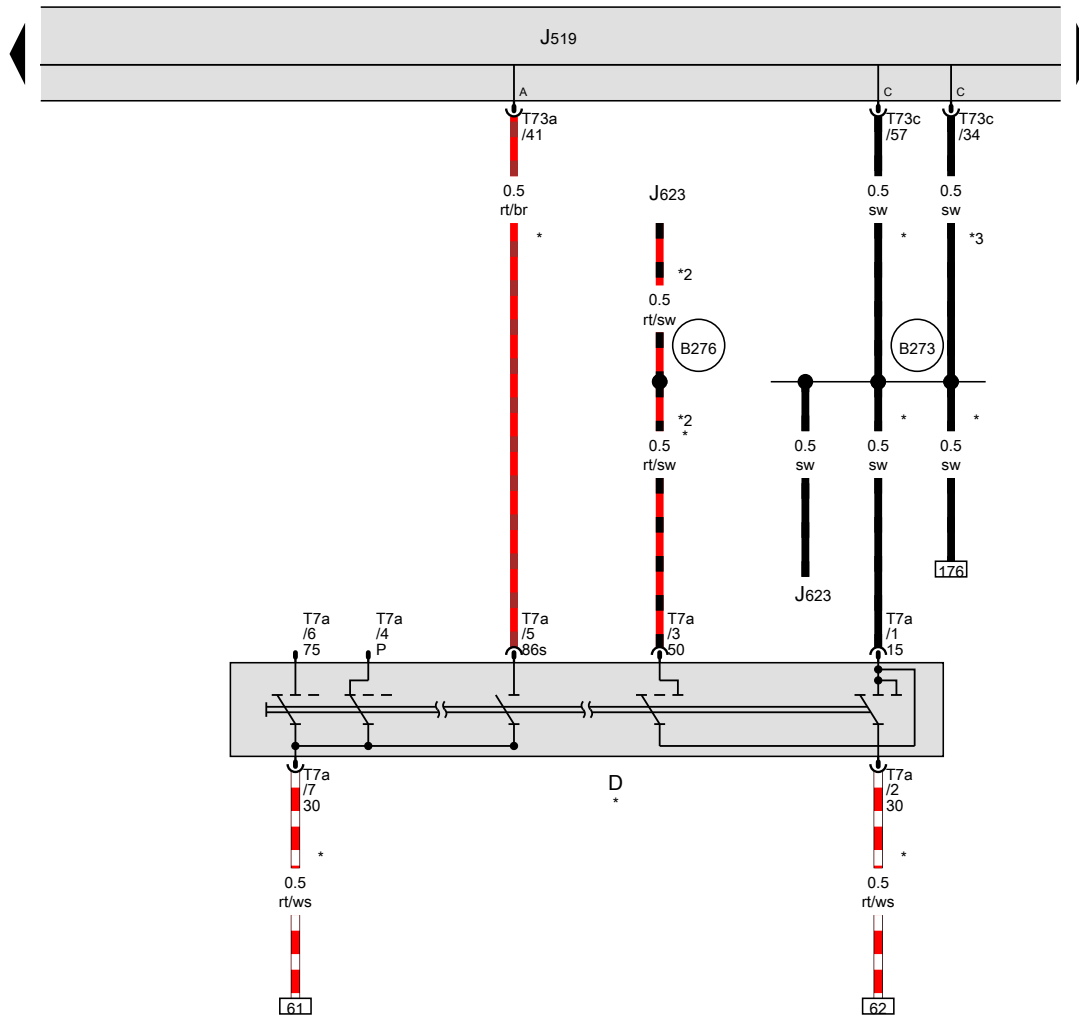
- * Only models with no entry and start authorisation
- *2 Only models with entry and start authorisation



- ws = white
- sw = black
- ro = red
- rt = red
- br = brown
- gn = green
- bl = blue
- gr = grey
- li = purple
- vi = purple
- ge = yellow
- or = orange
- rs = pink

169 170 171 172 173 174 175 176 177 178 179 180 181 182

[NH0-130140516]



Ignition/starter switch

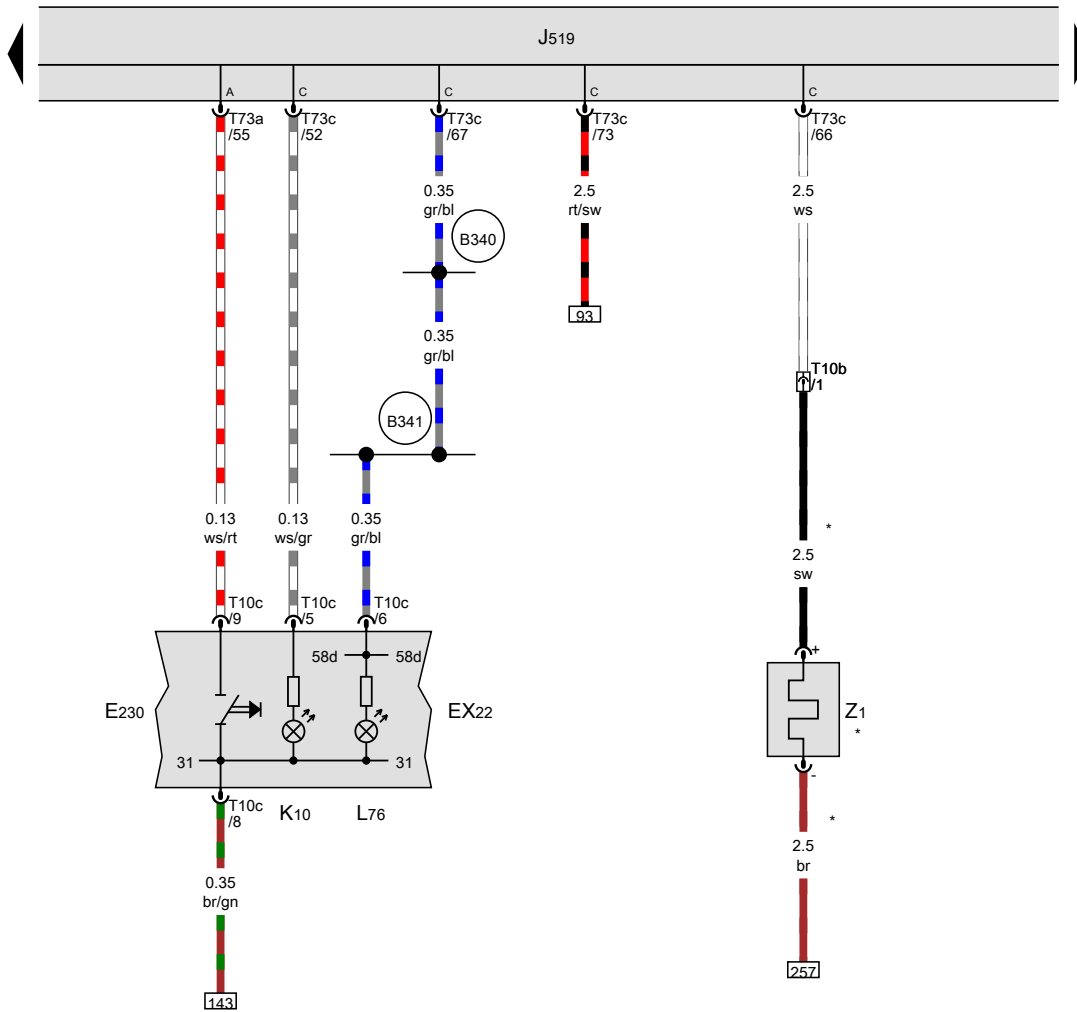
- D Ignition/starter switch
- J519 Onboard supply control unit
- J623 Engine control unit
- T7a 7-pin connector
- T73a 73-pin connector, black
- T73c 73-pin connector, black

(B273) Positive connection (15), in main wiring harness

(B276) Positive connection (50), in main wiring harness

- * Only models with no entry and start authorisation see applicable current flow diagram for engine
- *2 Only models with entry and start authorisation
- *3 Only models with entry and start authorisation

- ws = white
- sw = black
- ro = red
- rt = red
- br = brown
- gn = green
- bl = blue
- gr = grey
- li = purple
- vi = purple
- ge = yellow
- or = orange
- rs = pink



Centre switch module in dash panel, Heated rear window button, Heated rear window

- EX22 Centre switch module in dash panel
- E230 Heated rear window button
- J519 Onboard supply control unit
- K10 Heated rear window warning lamp
- L76 Button illumination bulb
- T10b 10-pin connector
- T10c 10-pin connector, black
- T73a 73-pin connector, black
- T73c 73-pin connector, black
- Z1 Heated rear window

B340 Connection 1 (58d), in main wiring harness

B341 Connection 2 (58d), in main wiring harness

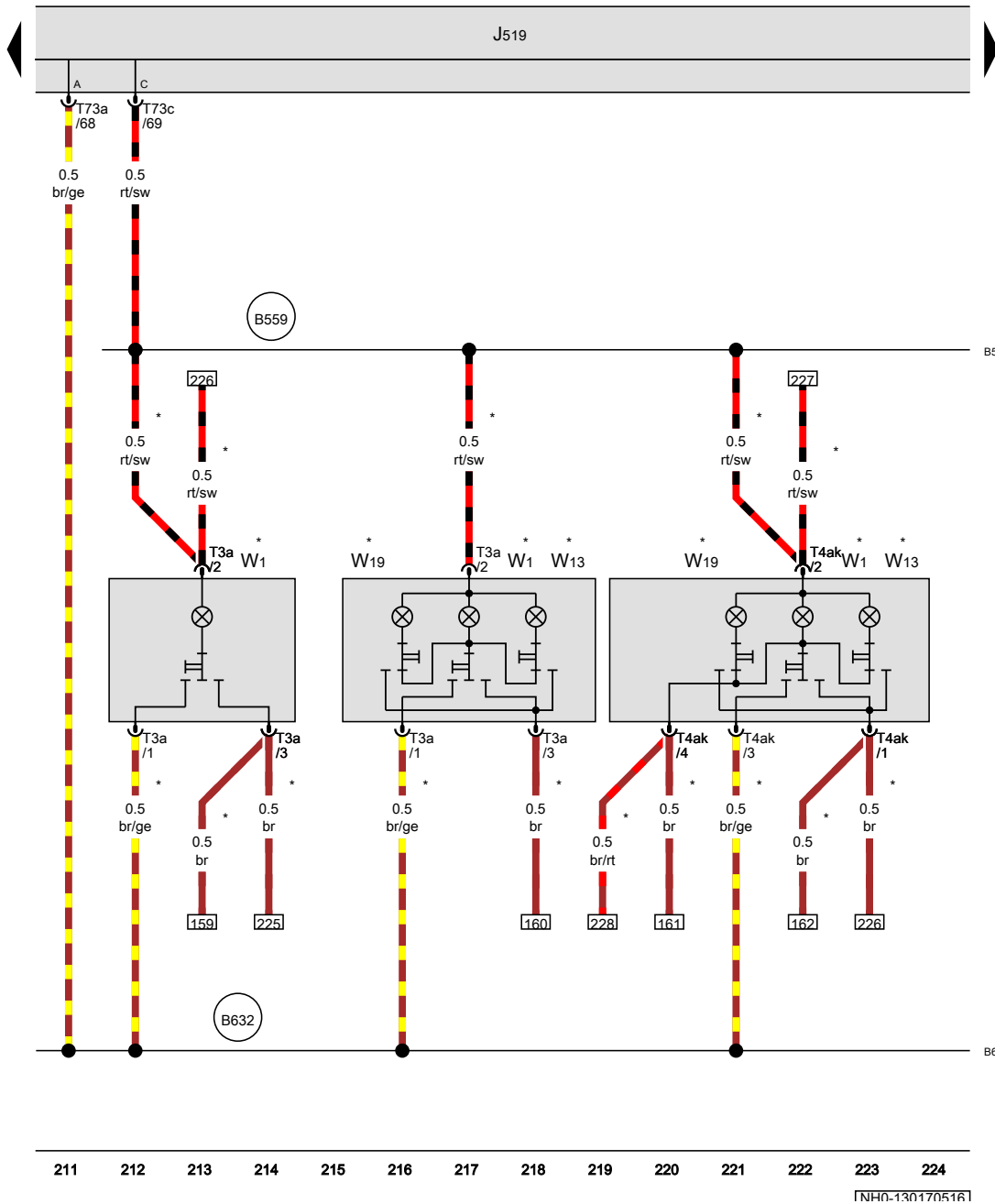
* Only models with no rear window aerial

- ws = white
- sw = black
- ro = red
- rt = red
- br = brown
- gn = green
- bl = blue
- gr = grey
- li = purple
- vi = purple
- ge = yellow
- or = orange
- rs = pink

Front interior light, Front passenger reading light, Driver side reading light

- J519 Onboard supply control unit
- T3a 3-pin connector
- T4ak 4-pin connector
- T73a 73-pin connector, black
- T73c 73-pin connector, black
- W1 Front interior light
- W13 Front passenger reading light
- W19 Driver side reading light

- B559 Positive connection 1 (30g), in main wiring harness
- B632 Connection (interior light, 31), in main wiring harness
- * According to equipment



- ws = white
- sw = black
- ro = red
- rt = red
- br = brown
- gn = green
- bl = blue
- gr = grey
- li = purple
- vi = purple
- ge = yellow
- or = orange
- rs = pink

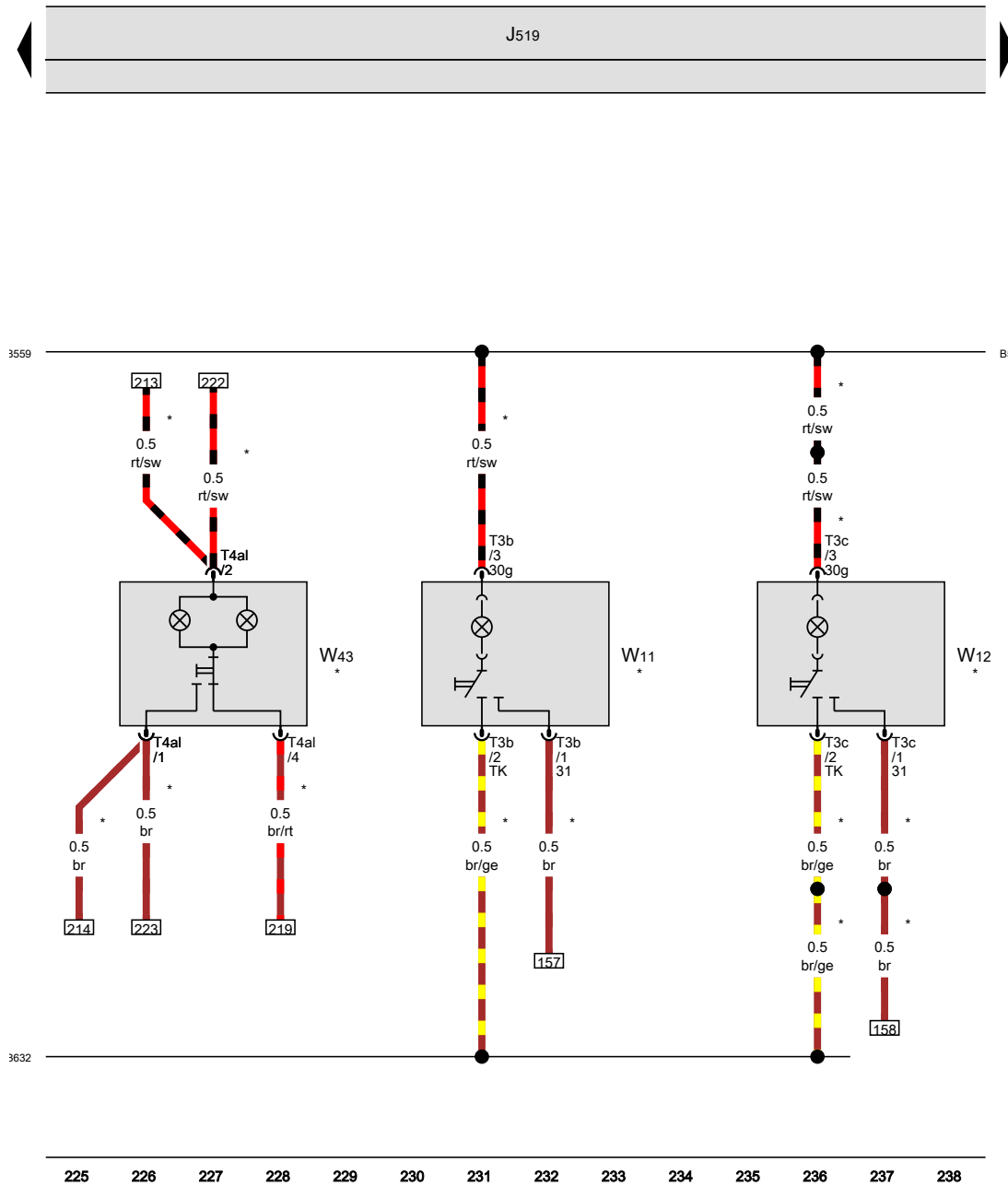
Rear left reading light, Rear right reading light, Rear interior light

- J519 Onboard supply control unit
- T3b 3-pin connector
- T3c 3-pin connector
- T4al 4-pin connector
- W11 Rear left reading light
- W12 Rear right reading light
- W43 Rear interior light

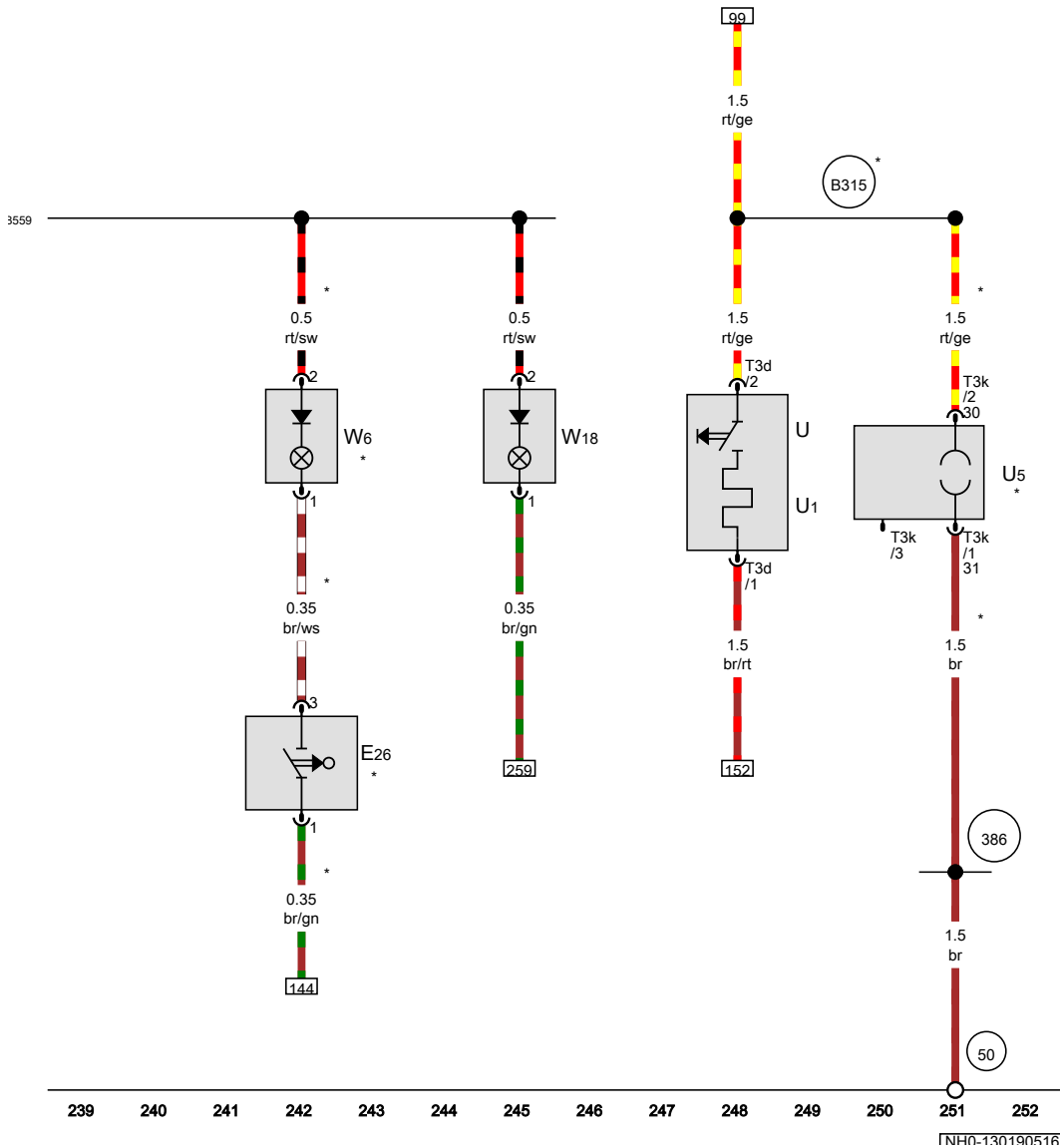
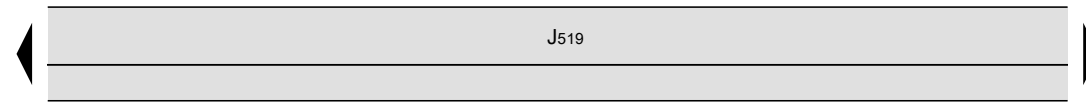
B559 Positive connection 1 (30g), in main wiring harness

B632 Connection (interior light, 31), in main wiring harness

* According to equipment



- ws = white
- sw = black
- ro = red
- rt = red
- br = brown
- gn = green
- bl = blue
- gr = grey
- li = purple
- vi = purple
- ge = yellow
- or = orange
- rs = pink



Glove compartment light switch, Electric socket, Cigarette lighter, 12 V socket, Glove compartment light, Luggage compartment light on left

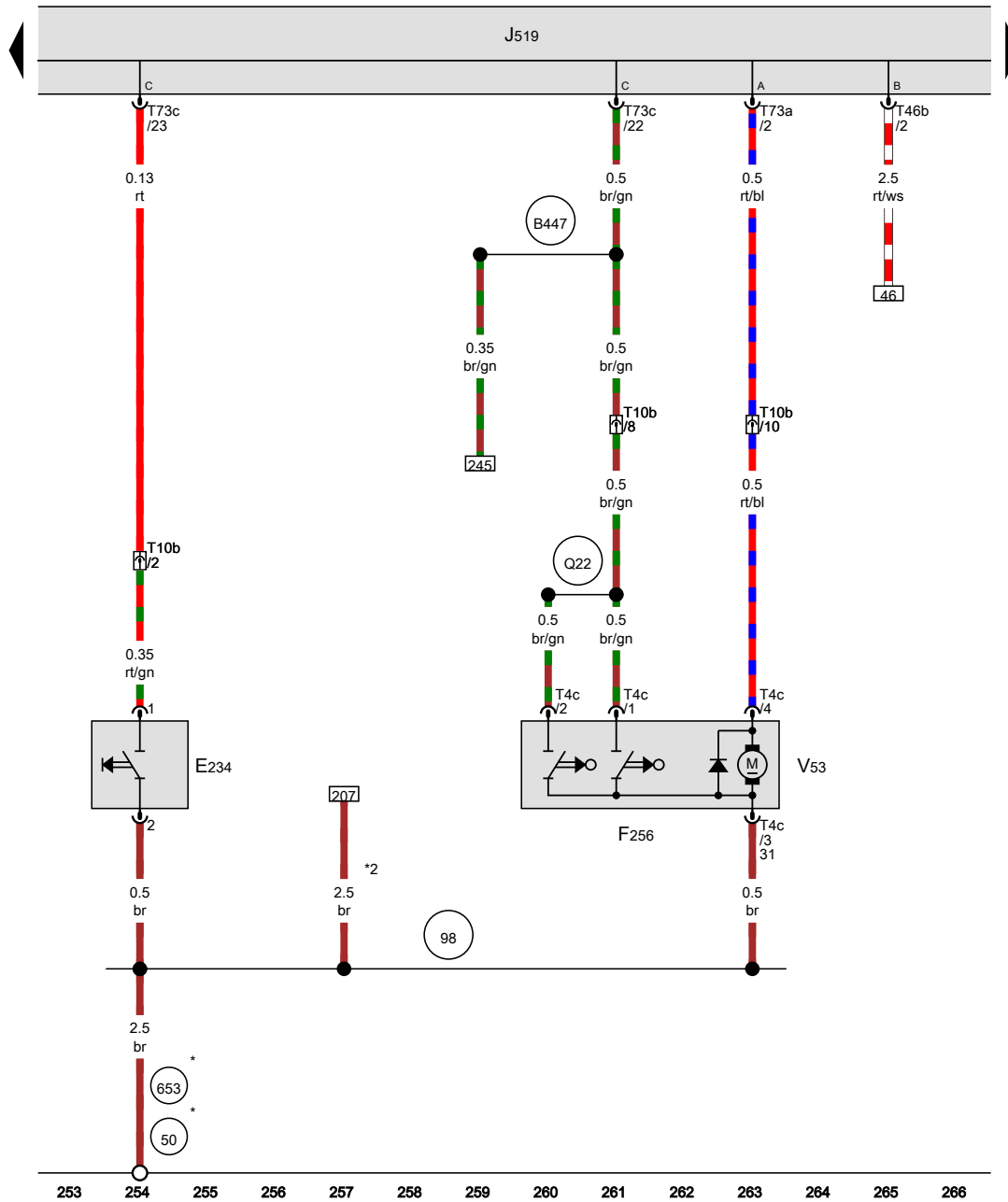
- E26 Glove compartment light switch
- J519 Onboard supply control unit
- T3d 3-pin connector
- T3k 3-pin connector, on left in luggage compartment
- U Electric socket
- U1 Cigarette lighter
- U5 12 V socket
- W6 Glove compartment light
- W18 Luggage compartment light on left

- 50 Earth point, on left in luggage compartment
- 386 Earth connection 21, in main wiring harness
- B315 Positive connection 1 (30a) in main wiring harness
- B559 Positive connection 1 (30g), in main wiring harness

* Special equipment

- ws = white
- sw = black
- ro = red
- rt = red
- br = brown
- gn = green
- bl = blue
- gr = grey
- li = purple
- vi = purple
- ge = yellow
- or = orange
- rs = pink

[NH0-130190516]



Rear lid handle release button, Rear lid lock unit, Rear lid central locking motor

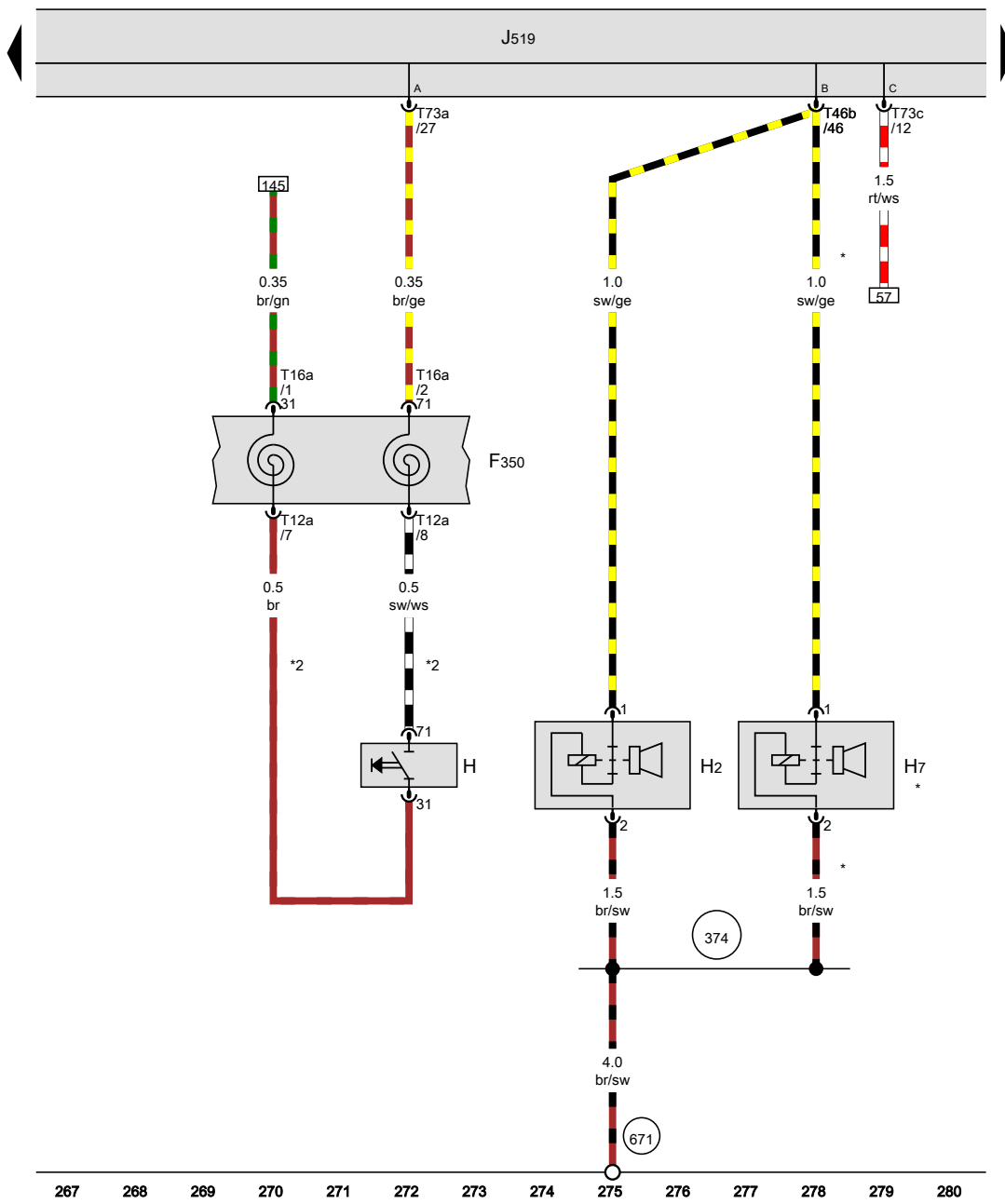
- E234 Rear lid handle release button
- F256 Rear lid lock unit
- J519 Onboard supply control unit
- T4c 4-pin connector
- T10b 10-pin connector
- T46b 46-pin connector, brown
- T73a 73-pin connector, black
- T73c 73-pin connector, black
- V53 Rear lid central locking motor

- 50 Earth point, on left in luggage compartment
- 98 Earth connection, in rear lid wiring harness
- 653 Earth point, on left D-pillar
- B447 Connection (luggage compartment light), in main wiring harness
- Q22 Connection 1, in rear lid wiring harness
- * see fitting locations
- *2 Only models with no rear window aerial

- ws = white
- sw = black
- ro = red
- rt = red
- br = brown
- gn = green
- bl = blue
- gr = grey
- li = purple
- vi = purple
- ge = yellow
- or = orange
- rs = pink

[NH0-130200516]

Coil connector, Horn plate, Treble horn, Bass horn



- F350 Coil connector
- H Horn plate
- H2 Treble horn
- H7 Bass horn
- J519 Onboard supply control unit
- T12a 12-pin connector
- T16a 16-pin connector
- T46b 46-pin connector, brown
- T73a 73-pin connector, black
- T73c 73-pin connector, black

374 Earth connection 9, in main wiring harness

671 Earth point 1, on front of left longitudinal member

* Only models with dual tone horn

*2 Only models with no multifunction steering wheel

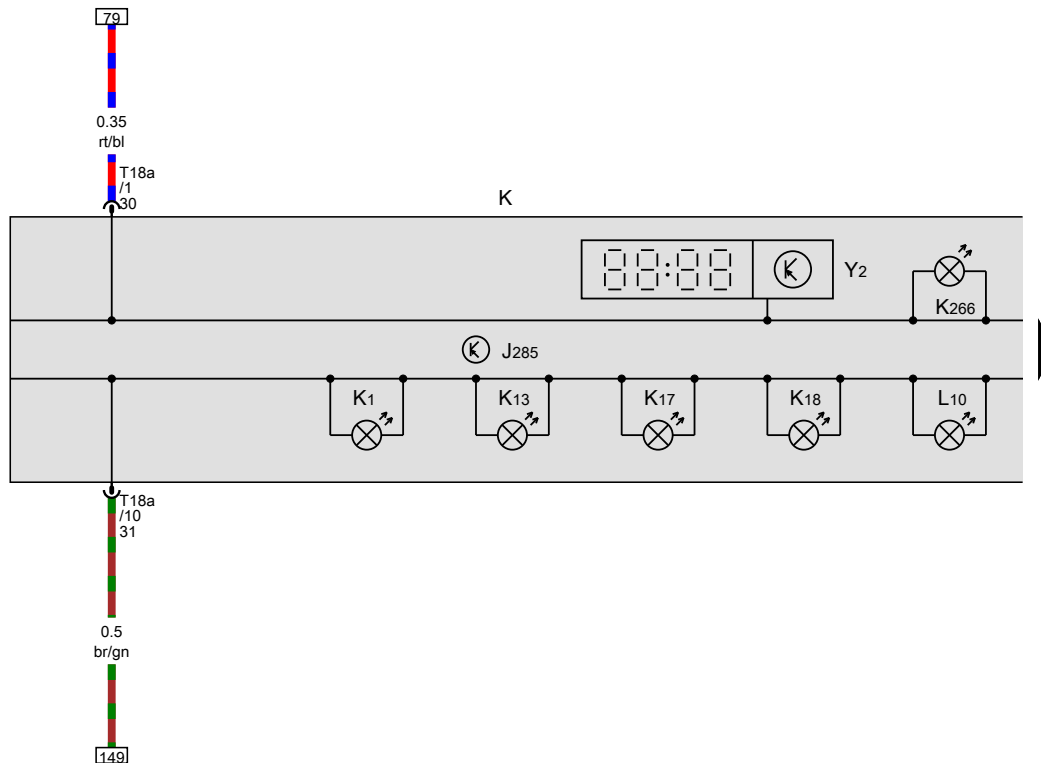
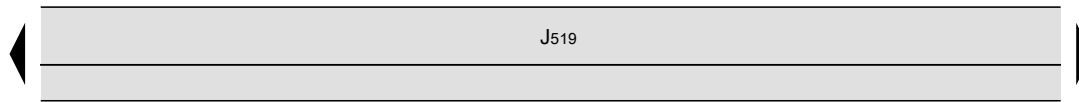
- ws = white
- sw = black
- ro = red
- rt = red
- br = brown
- gn = green
- bl = blue
- gr = grey
- li = purple
- vi = purple
- ge = yellow
- or = orange
- rs = pink

267 268 269 270 271 272 273 274 275 276 277 278 279 280

[NH0-130210516]

Dash panel insert, Digital clock

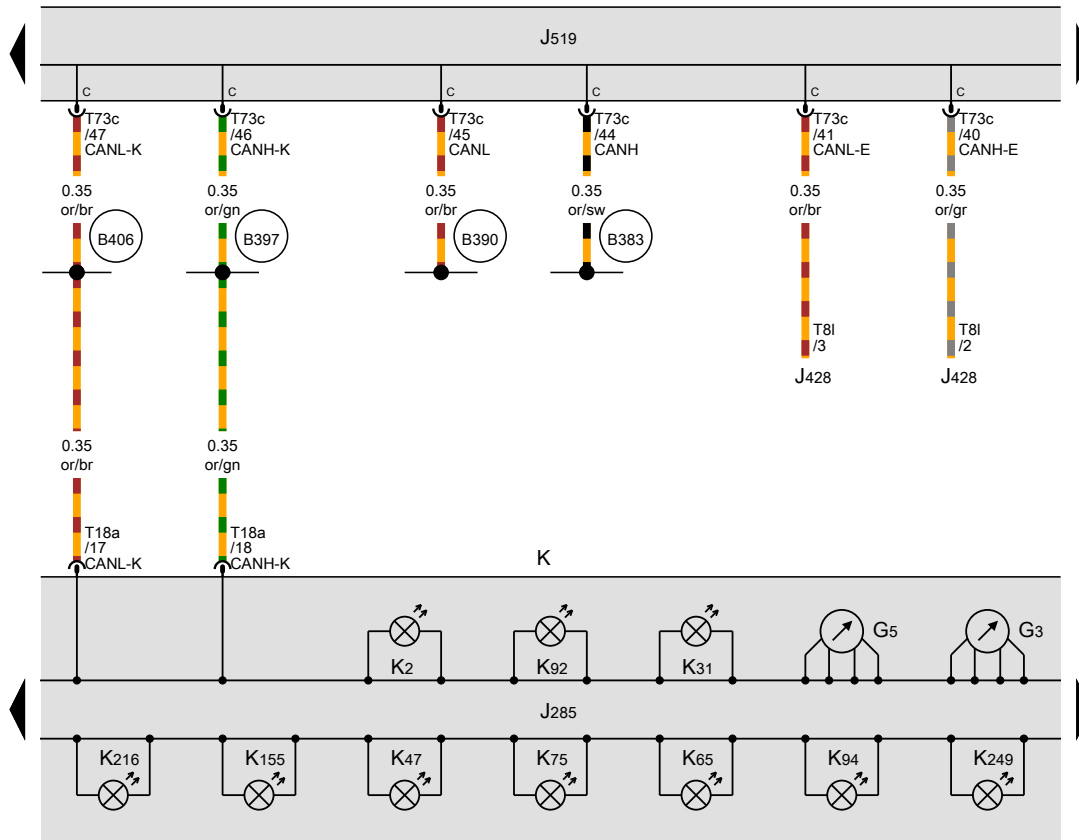
- J285 Control unit in dash panel insert
- J519 Onboard supply control unit
- K Dash panel insert
- K1 Main beam warning lamp
- K13 Rear fog light warning lamp
- K17 Fog light warning lamp
- K18 Trailer operation warning lamp
- K266 Warning lamp for dipped beams
- L10 Dash panel insert illumination bulb
- T18a 18-pin connector
- Y2 Digital clock



- ws = white
- sw = black
- ro = red
- rt = red
- br = brown
- gn = green
- bl = blue
- gr = grey
- li = purple
- vi = purple
- ge = yellow
- or = orange
- rs = pink

281 282 283 284 285 286 287 288 289 290 291 292 293 294

[NH0-130220516]



Coolant temperature gauge, Rev. counter, Dash panel insert

- G3 Coolant temperature gauge
- G5 Rev. counter
- J285 Control unit in dash panel insert
- J428 Adaptive cruise control unit
- J519 Onboard supply control unit
- K Dash panel insert
- K2 Alternator warning lamp
- K31 Cruise control system warning lamp
- K47 ABS warning lamp
- K65 Left turn signal warning lamp
- K75 Airbag warning lamp
- K92 Servotronic warning lamp
- K94 Right turn signal warning lamp
- K155 Warning lamp for electronic stabilisation program and TCS
- K216 Warning lamp 2 for electronic stabilisation program and TCS
- K249 Cold engine warning light
- T81 8-pin connector
- T18a 18-pin connector
- T73c 73-pin connector, black

- B383 Connection 1 (powertrain CAN bus, high), in main wiring harness
- B390 Connection 1 (powertrain CAN bus, low), in main wiring harness
- B397 Connection 1 (convenience CAN bus, high), in main wiring harness
- B406 Connection 1 (convenience CAN bus, low), in main wiring harness

- ws = white
- sw = black
- ro = red
- rt = red
- br = brown
- gn = green
- bl = blue
- gr = grey
- li = purple
- vi = purple
- ge = yellow
- or = orange
- rs = pink

295 296 297 298 299 300 301 302 303 304 305 306 307 308

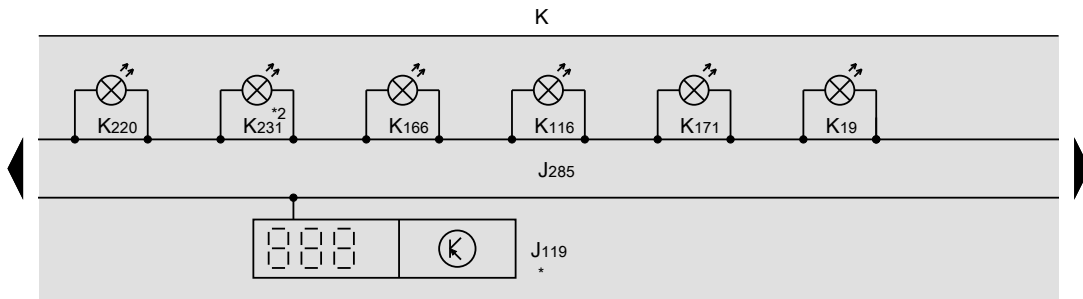
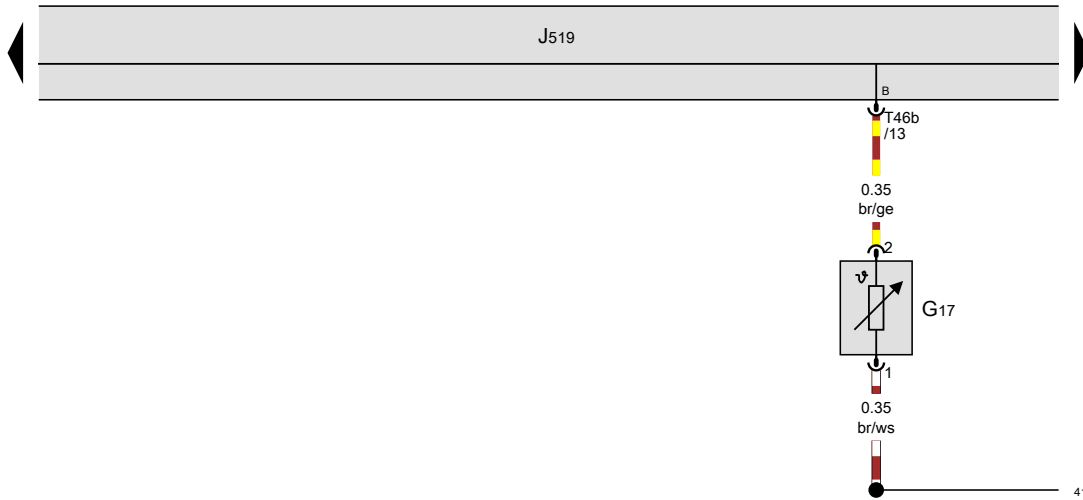
[NH0-130230516]

Ambient temperature sensor, Multifunction indicator, Dash panel insert

- G17 Ambient temperature sensor
- J119 Multifunction indicator
- J285 Control unit in dash panel insert
- J519 Onboard supply control unit
- K Dash panel insert
- K19 Seat belt warning system warning lamp
- K116 Rear lid open warning lamp
- K166 Door open warning lamp
- K171 Bonnet open warning lamp
- K220 Tyre Pressure Loss Indicator warning lamp
- K231 Diesel particulate filter warning lamp
- T46b 46-pin connector, brown

410 Earth connection 1 (sender earth) in main wiring harness

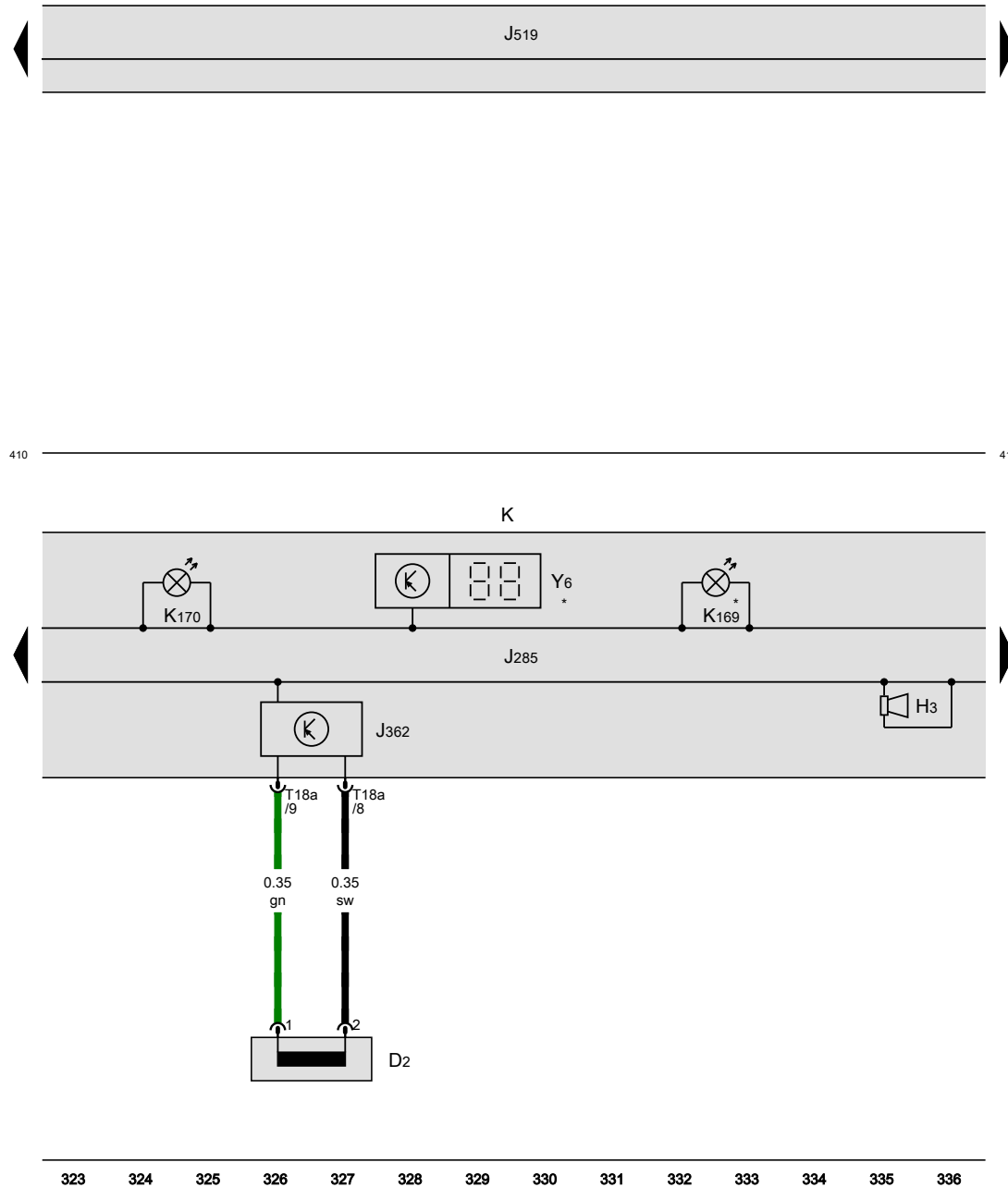
- * Only models with multifunction display
- *2 Only models with diesel particulate filter



- ws = white
- sw = black
- ro = red
- rt = red
- br = brown
- gn = green
- bl = blue
- gr = grey
- li = purple
- vi = purple
- ge = yellow
- or = orange
- rs = pink

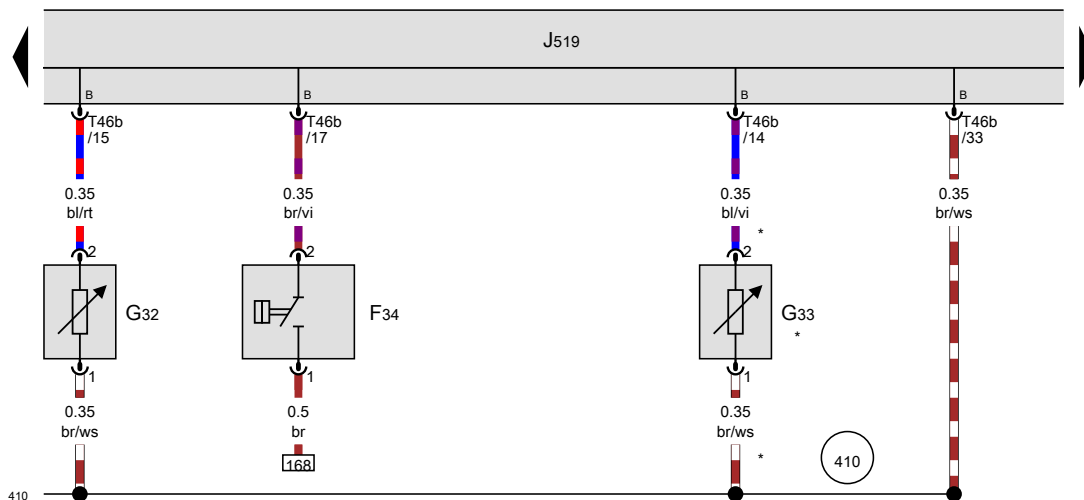
Immobiliser reader coil, Buzzer and gong, Immobiliser control unit, Dash panel insert, Selector lever position display

- D2 Immobiliser reader coil
 - H3 Buzzer and gong
 - J285 Control unit in dash panel insert
 - J362 Immobiliser control unit
 - J519 Onboard supply control unit
 - K Dash panel insert
 - K169 Selector lever lock warning lamp
 - K170 Bulb failure warning lamp
 - T18a 18-pin connector
 - Y6 Selector lever position display
- 410 Earth connection 1 (sender earth) in main wiring harness
- * Only models with automatic gearbox



- ws = white
- sw = black
- ro = red
- rt = red
- br = brown
- gn = green
- bl = blue
- gr = grey
- li = purple
- vi = purple
- ge = yellow
- or = orange
- rs = pink

[NH0-130250516]

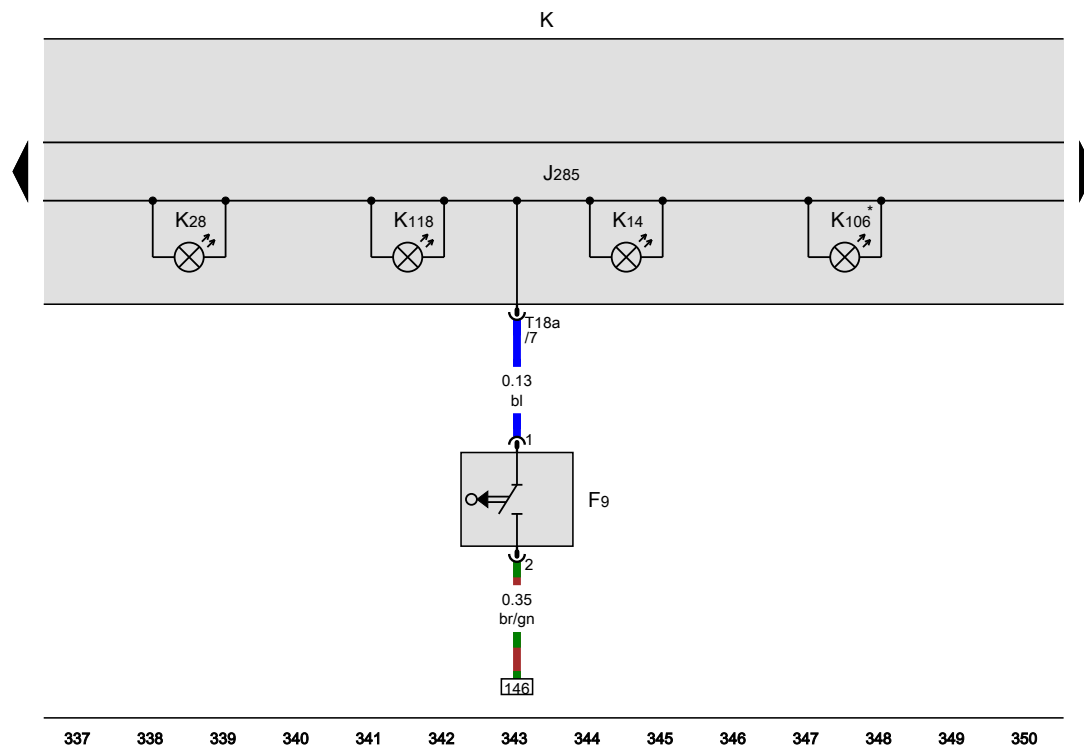


Handbrake warning switch, Brake fluid level warning contact, Coolant shortage indicator sender, Windscreen washer fluid level sender, Dash panel insert

- F9 Handbrake warning switch
- F34 Brake fluid level warning contact
- G32 Coolant shortage indicator sender
- G33 Windscreen washer fluid level sender
- J285 Control unit in dash panel insert
- J519 Onboard supply control unit
- K Dash panel insert
- K14 Handbrake warning lamp
- K28 Coolant temperature and coolant shortage warning lamp
- K106 Washer fluid low warning lamp
- K118 Brake system warning lamp
- T18a 18-pin connector
- T46b 46-pin connector, brown

410 Earth connection 1 (sender earth) in main wiring harness

* Special equipment



- ws = white
- sw = black
- ro = red
- rt = red
- br = brown
- gn = green
- bl = blue
- gr = grey
- li = purple
- vi = purple
- ge = yellow
- or = orange
- rs = pink

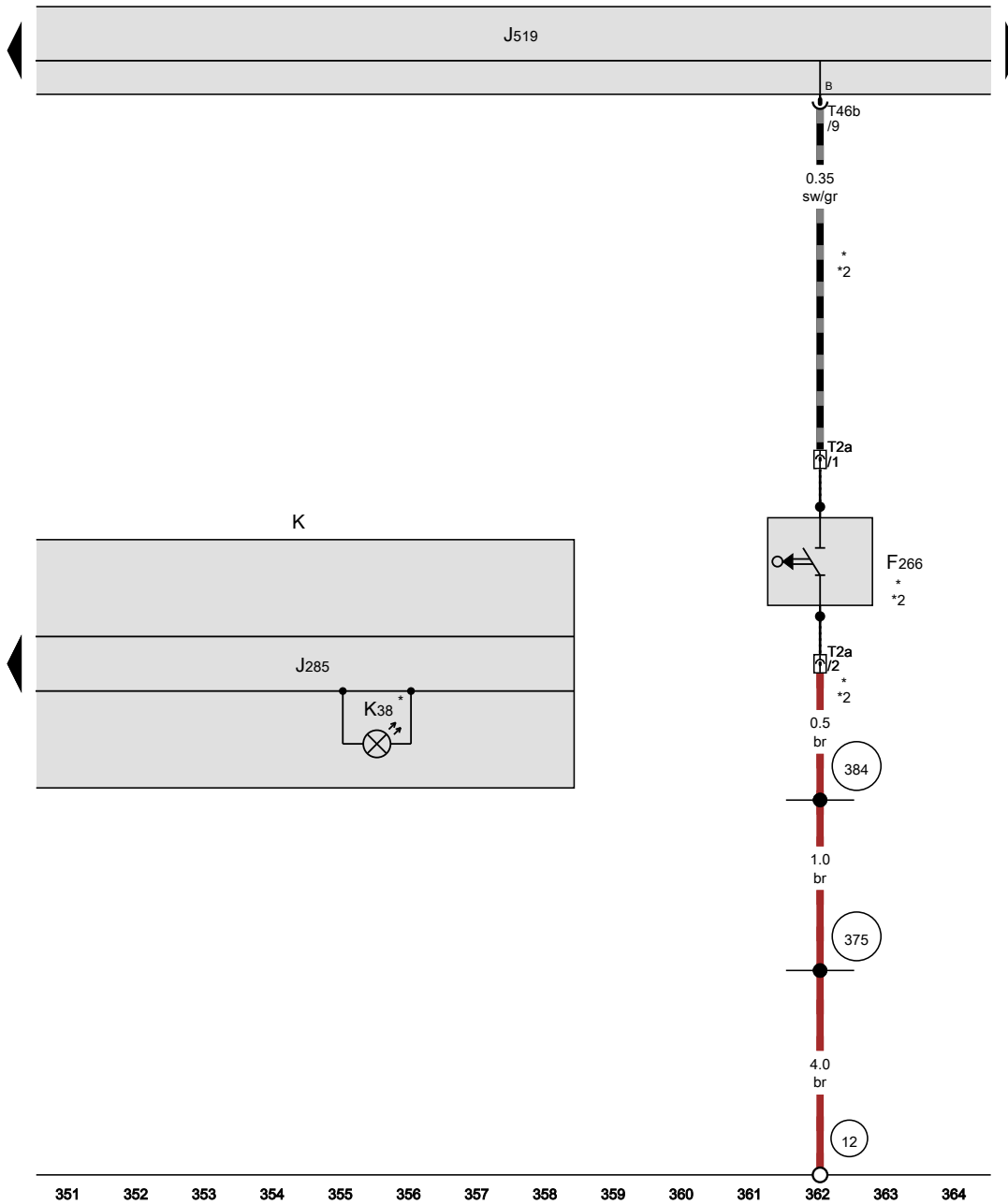
[NH0-130260516]

Bonnet contact switch, Dash panel insert

- F266 Bonnet contact switch
- J285 Control unit in dash panel insert
- J519 Onboard supply control unit
- K Dash panel insert
- K38 Oil level warning lamp
- T2a 2-pin connector
- T46b 46-pin connector, brown

- 12 Earth point, on left in engine compartment
- 375 Earth connection 10, in main wiring harness
- 384 Earth connection 19, in main wiring harness

- * Only models with extended servicing intervals (ESI)
- *2 For models with anti-theft alarm system

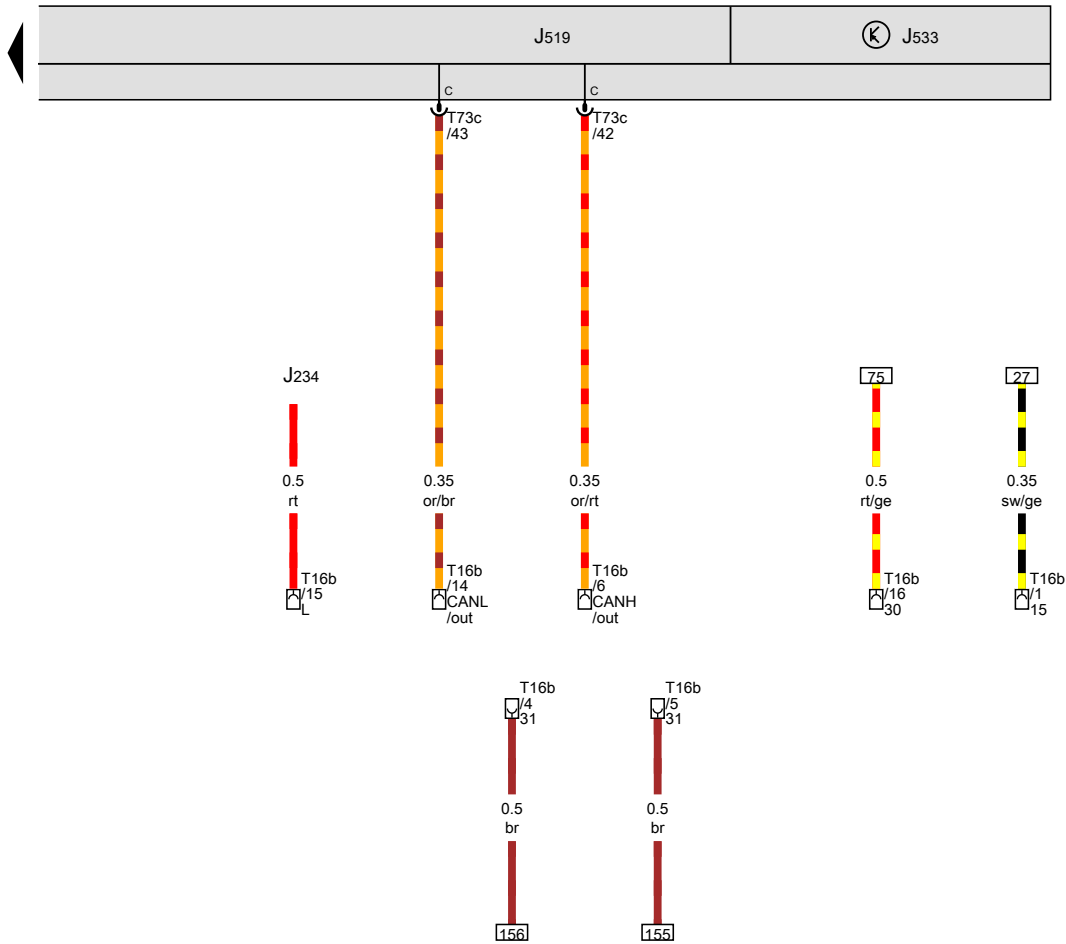


- ws = white
- sw = black
- ro = red
- rt = red
- br = brown
- gn = green
- bl = blue
- gr = grey
- li = purple
- vi = purple
- ge = yellow
- or = orange
- rs = pink

[NH0-130270516]

Data bus diagnostic interface, 16-pin connector

- J234 Airbag control unit
- J519 Onboard supply control unit
- J533 Data bus diagnostic interface
- T16b 16-pin connector, on diagnostic connection
- T73c 73-pin connector, black



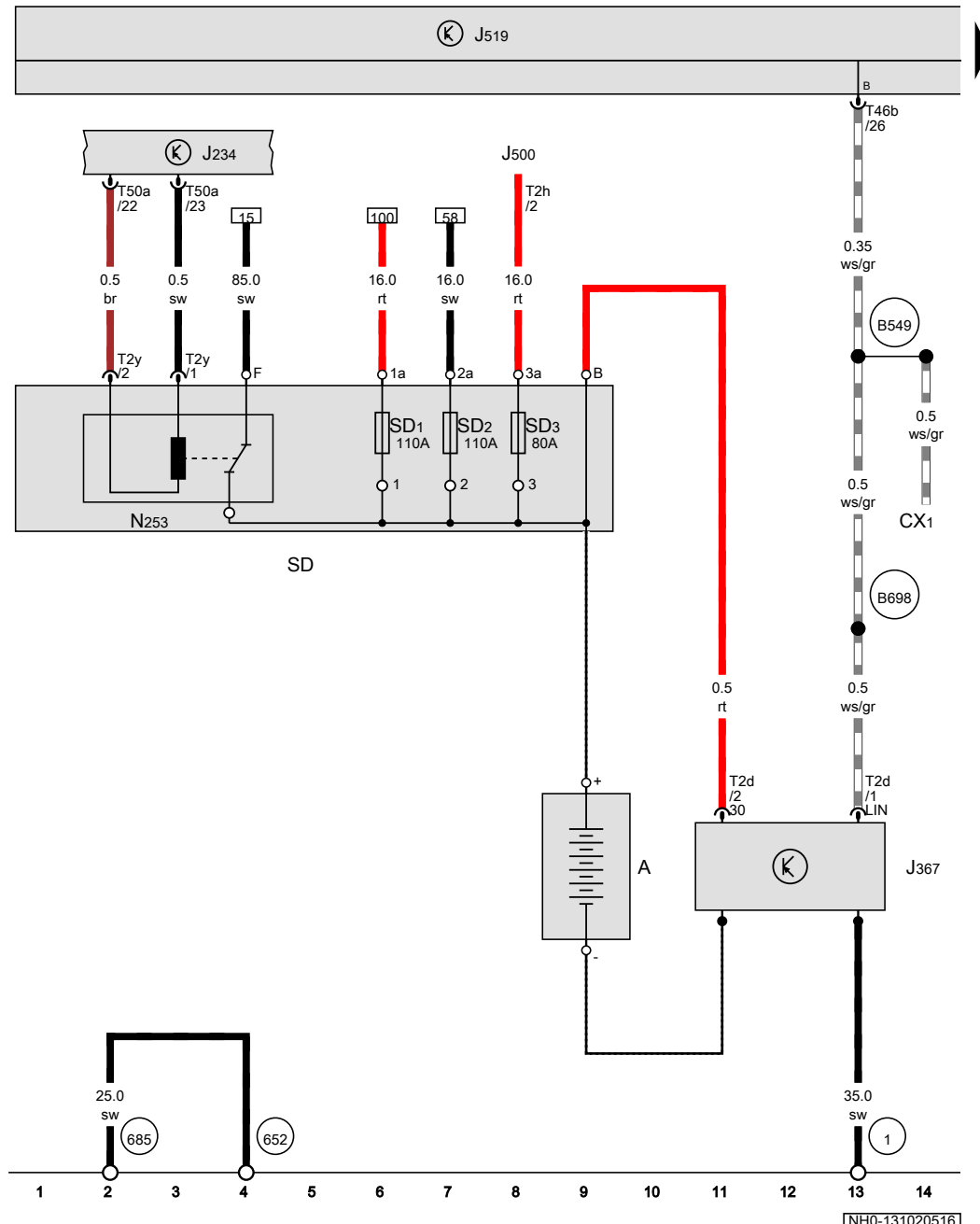
- ws = white
- sw = black
- ro = red
- rt = red
- br = brown
- gn = green
- bl = blue
- gr = grey
- li = purple
- vi = purple
- ge = yellow
- or = orange
- rs = pink

365 366 367 368 369 370 371 372 373 374 375 376 377 378

[NH0-130280516]

Basic equipment , CXMA

From May 2016



Battery, Airbag control unit, Battery monitor control unit, Battery isolation igniter, Fuse holder D

- A Battery
- CX1 Alternator with voltage regulator
- J234 Airbag control unit
- J367 Battery monitor control unit
- J500 Power steering control unit
- J519 Onboard supply control unit
- N253 Battery isolation igniter
- SD Fuse holder D
- SD1 Fuse 1 on fuse holder D
- SD2 Fuse 2 on fuse holder D
- SD3 Fuse 3 on fuse holder D
- T2d 2-pin connector
- T2h 2-pin connector
- T2y 2-pin connector
- T46b 46-pin connector, brown
- T50a 50-pin connector

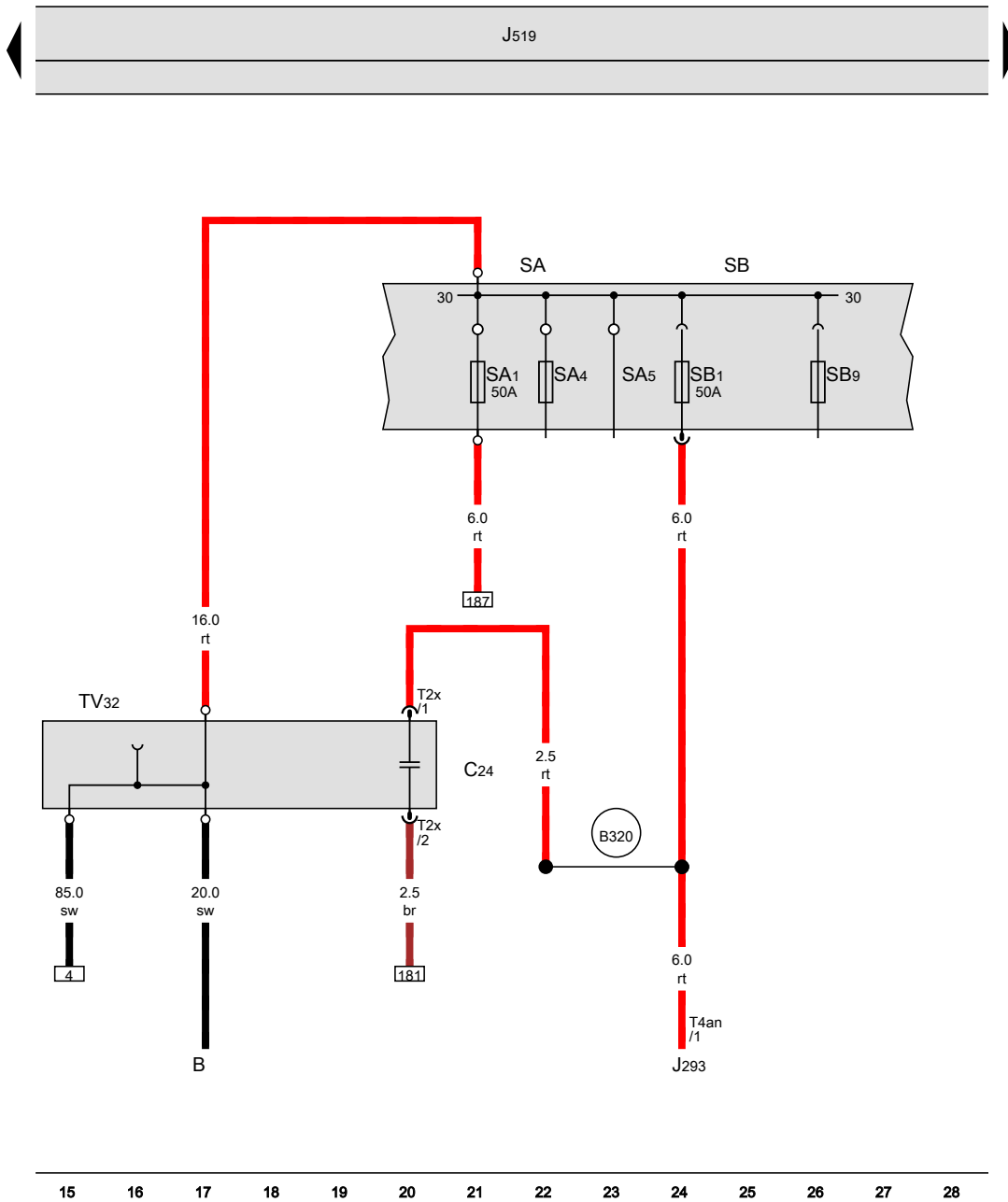
- 1 Earth strap, battery - body
- 652 Earth point, engine and gearbox earth
- 685 Earth point 1 at front of right longitudinal member
- B549 Connection 2 (LIN bus) in main wiring harness
- B698 Connection 3 (LIN bus) in main wiring harness

- ws = white
- sw = black
- ro = red
- rt = red
- br = brown
- gn = green
- bl = blue
- gr = grey
- li = purple
- vi = purple
- ge = yellow
- or = orange
- rs = pink

[NH0-131020516]

Fuse holder A, Fuse holder B, Jump start connection

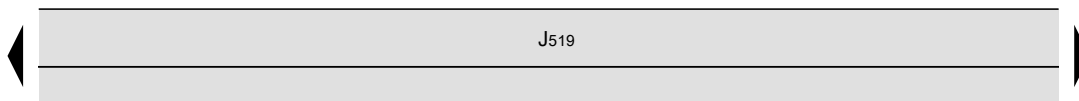
- B Starter
- C24 Suppression filter
- J293 Radiator fan control unit
- J519 Onboard supply control unit
- SA Fuse holder A
- SA1 Fuse 1 in fuse holder A
- SB1 Fuse 1 on fuse holder B
- SA4 Fuse 4 in fuse holder A
- SA5 Fuse 5 in fuse holder A
- SB Fuse holder B
- SB9 Fuse 9 on fuse holder B
- T2x 2-pin connector
- T4an 4-pin connector
- TV32 Jump start connection
- B320 Positive connection 6 (30a) in main wiring harness



- ws = white
- sw = black
- ro = red
- rt = red
- br = brown
- gn = green
- bl = blue
- gr = grey
- li = purple
- vi = purple
- ge = yellow
- or = orange
- rs = pink

15 16 17 18 19 20 21 22 23 24 25 26 27 28

[NH0-131030516]



Fuse holder C

- E1 Light switch
- E45 Cruise control system switch
- J234 Airbag control unit
- J293 Radiator fan control unit
- J519 Onboard supply control unit
- SC Fuse holder C
- SC29 Fuse 29 on fuse holder C
- SC30 Fuse 30 on fuse holder C
- SC31 Fuse 31 on fuse holder C
- SC32 Fuse 32 on fuse holder C
- T10e 10-pin connector

(B277) Positive connection 1 (15a) in main wiring harness

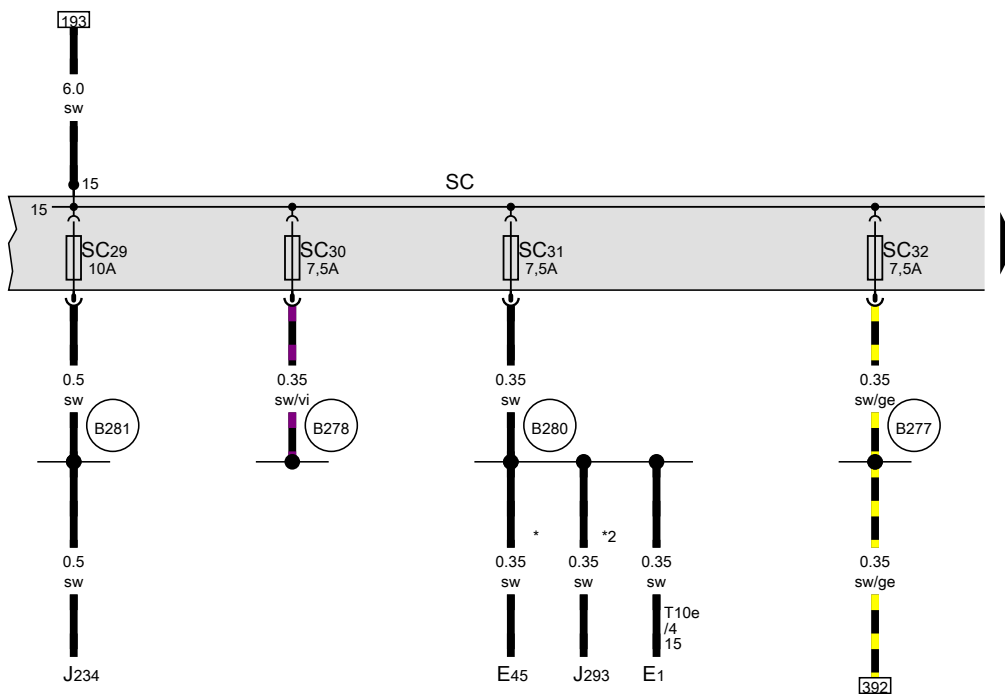
(B278) Positive connection 2 (15a) in main wiring harness

(B280) Positive connection 4 (15a) in main wiring harness

(B281) Positive connection 5 (15a) in main wiring harness

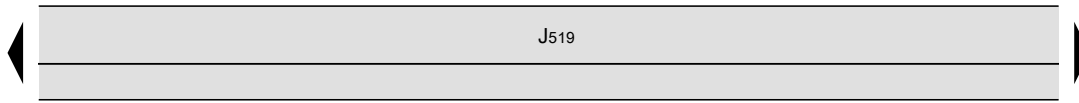
* Only models with cruise control system (CCS)

*2 According to equipment



- ws = white
- sw = black
- ro = red
- rt = red
- br = brown
- gn = green
- bl = blue
- gr = grey
- li = purple
- vi = purple
- ge = yellow
- or = orange
- rs = pink

[NH0-131040516]

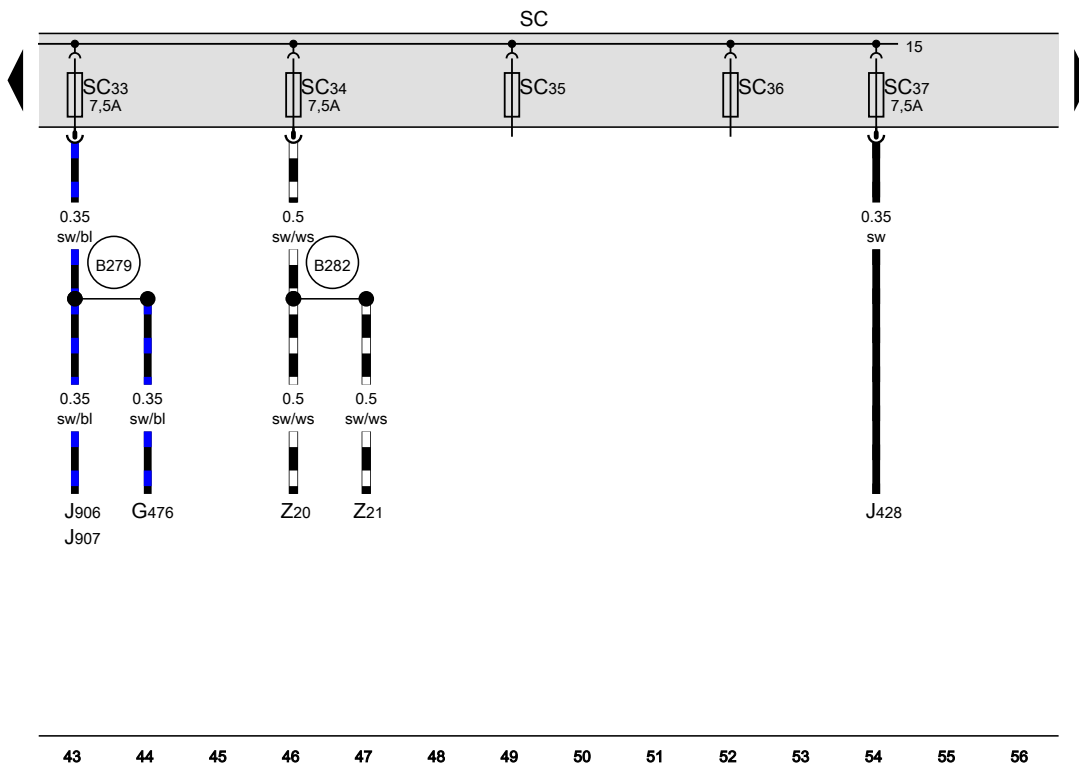


Fuse holder C

- G476 Clutch position sender
- J428 Adaptive cruise control unit
- J519 Onboard supply control unit
- J906 Starter relay 1
- J907 Starter relay 2
- SC Fuse holder C
- SC33 Fuse 33 on fuse holder C
- SC34 Fuse 34 on fuse holder C
- SC35 Fuse 35 on fuse holder C
- SC36 Fuse 36 on fuse holder C
- SC37 Fuse 37 on fuse holder C
- Z20 Left washer jet heater element
- Z21 Right washer jet heater element

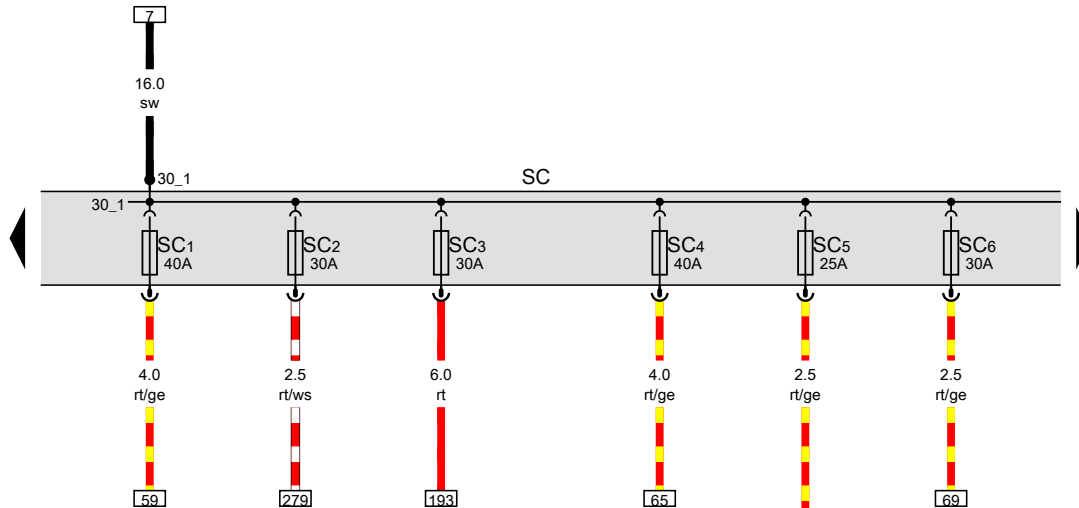
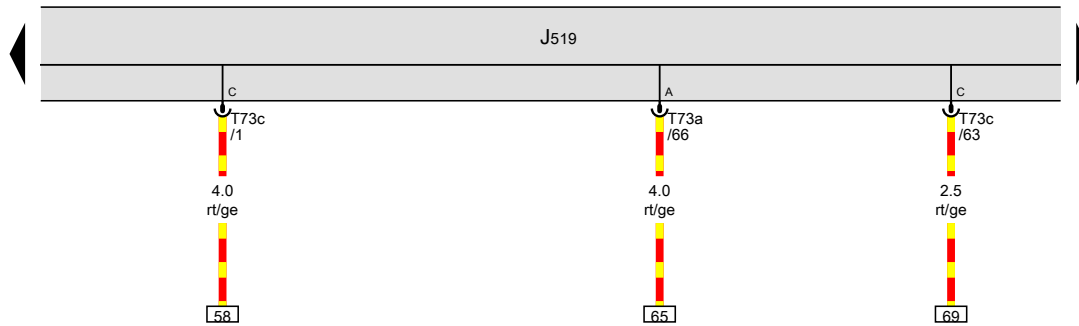
B279 Positive connection 3 (15a) in main wiring harness

B282 Positive connection 6 (15a) in main wiring harness



- ws = white
- sw = black
- ro = red
- rt = red
- br = brown
- gn = green
- bl = blue
- gr = grey
- li = purple
- vi = purple
- ge = yellow
- or = orange
- rs = pink

[NH0-131050516]



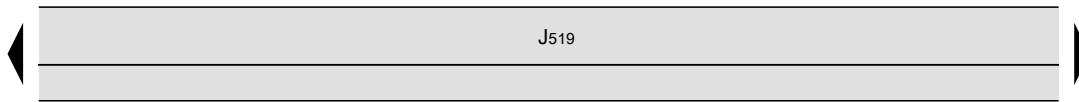
Fuse holder C

- J519 Onboard supply control unit
- SC Fuse holder C
- SC1 Fuse 1 on fuse holder C
- SC2 Fuse 2 on fuse holder C
- SC3 Fuse 3 on fuse holder C
- SC4 Fuse 4 on fuse holder C
- SC5 Fuse 5 on fuse holder C
- SC6 Fuse 6 on fuse holder C
- T73a 73-pin connector, black
- T73c 73-pin connector, black
- V147 Driver side window regulator motor

- ws = white
- sw = black
- ro = red
- rt = red
- br = brown
- gn = green
- bl = blue
- gr = grey
- li = purple
- vi = purple
- ge = yellow
- or = orange
- rs = pink

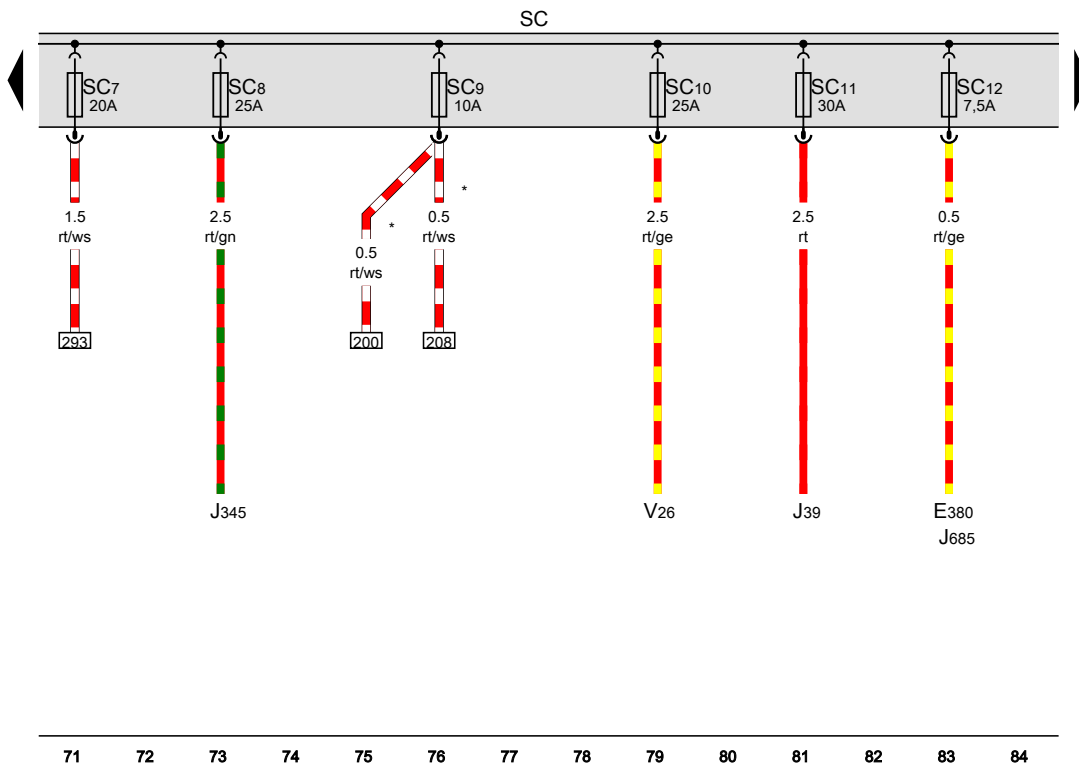
57 58 59 60 61 62 63 64 65 66 67 68 69 70

[NH0-131060516]



Fuse holder C

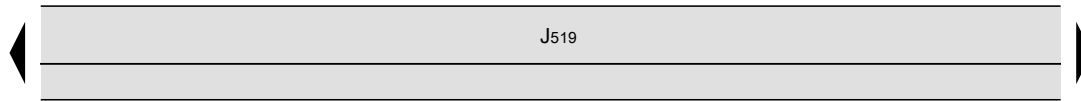
- E380 Multimedia system operating unit
- J39 Headlight washer system relay
- J345 Trailer detector control unit, on right in luggage compartment
- J519 Onboard supply control unit
- J685 Display unit for front information display and operating unit control unit
- SC Fuse holder C
- SC7 Fuse 7 on fuse holder C
- SC8 Fuse 8 on fuse holder C
- SC9 Fuse 9 on fuse holder C
- SC10 Fuse 10 on fuse holder C
- SC11 Fuse 11 on fuse holder C
- SC12 Fuse 12 on fuse holder C
- V26 Rear left window regulator motor
- * Only models with no entry and start authorisation



- ws = white
- sw = black
- ro = red
- rt = red
- br = brown
- gn = green
- bl = blue
- gr = grey
- li = purple
- vi = purple
- ge = yellow
- or = orange
- rs = pink

71 72 73 74 75 76 77 78 79 80 81 82 83 84

[NH0-131070516]



Fuse holder C

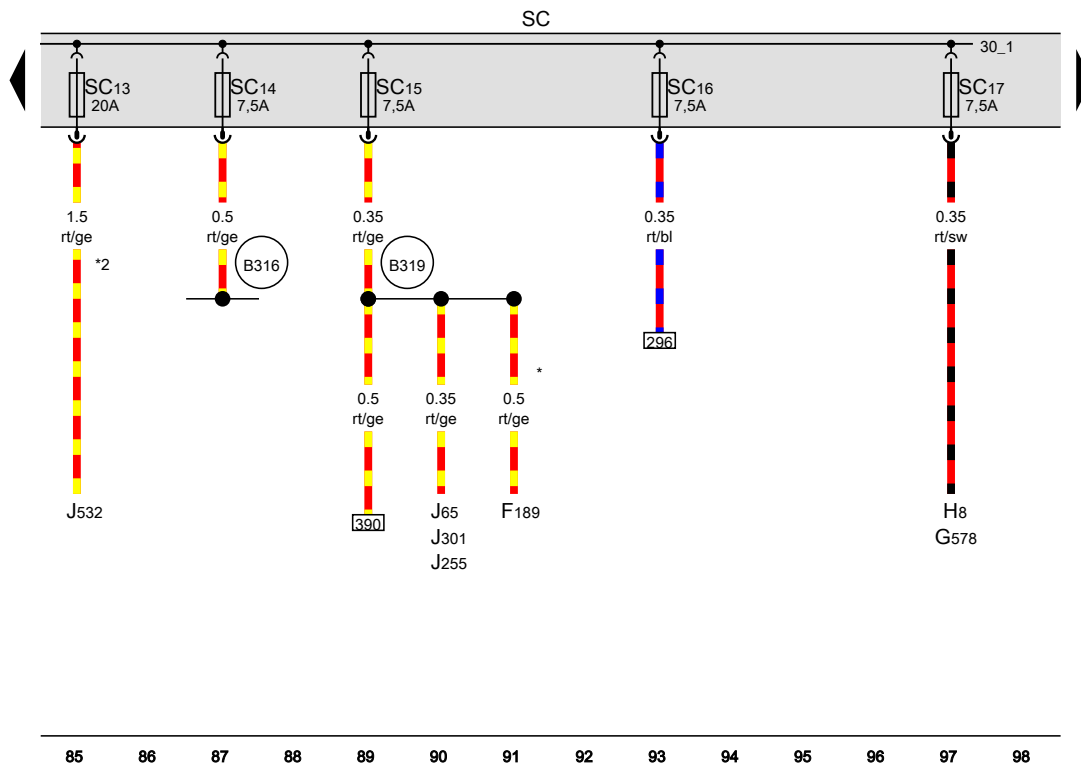
- F189 Tiptronic switch
- G578 Anti-theft alarm sensor
- H8 Anti-theft alarm system horn
- J65 Heater control unit
- J255 Climatronic control unit
- J301 Air conditioning system control unit
- J519 Onboard supply control unit
- J532 Voltage stabiliser, under seat on front left
- SC Fuse holder C
- SC13 Fuse 13 on fuse holder C
- SC14 Fuse 14 on fuse holder C
- SC15 Fuse 15 on fuse holder C
- SC16 Fuse 16 on fuse holder C
- SC17 Fuse 17 on fuse holder C

B316 Positive connection 2 (30a) in main wiring harness

B319 Positive connection 5 (30a) in main wiring harness

* Only models with automatic gearbox

*2 Only models with taxi equipment

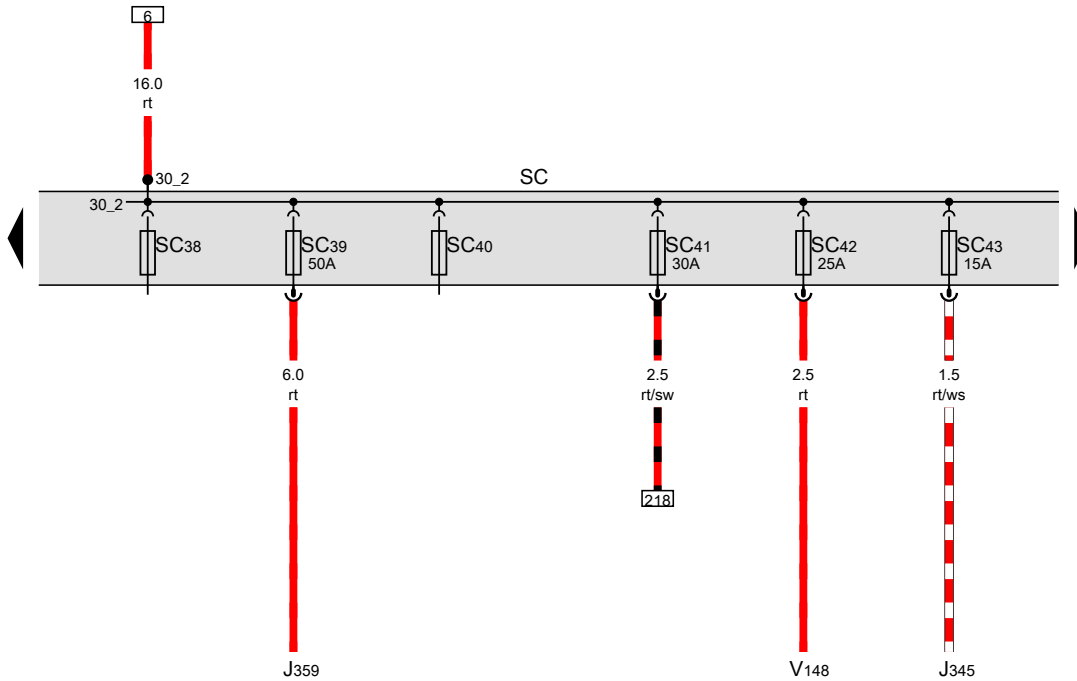
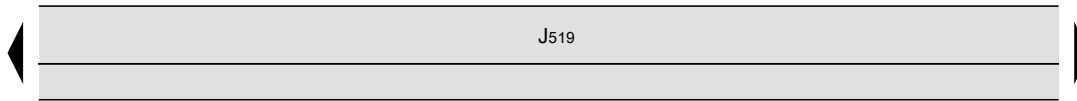


- ws = white
- sw = black
- ro = red
- rt = red
- br = brown
- gn = green
- bl = blue
- gr = grey
- li = purple
- vi = purple
- ge = yellow
- or = orange
- rs = pink

[NH0-131080516]

Fuse holder C

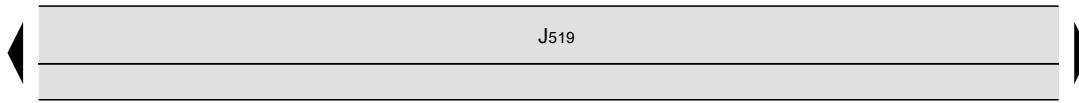
- J345 Trailer detector control unit, on right in luggage compartment
- J359 Low heat output relay
- J519 Onboard supply control unit
- SC Fuse holder C
- SC38 Fuse 38 on fuse holder C
- SC39 Fuse 39 on fuse holder C
- SC40 Fuse 40 on fuse holder C
- SC41 Fuse 41 on fuse holder C
- SC42 Fuse 42 on fuse holder C
- SC43 Fuse 43 on fuse holder C
- V148 Front passenger side window regulator motor



- ws = white
- sw = black
- ro = red
- rt = red
- br = brown
- gn = green
- bl = blue
- gr = grey
- li = purple
- vi = purple
- ge = yellow
- or = orange
- rs = pink

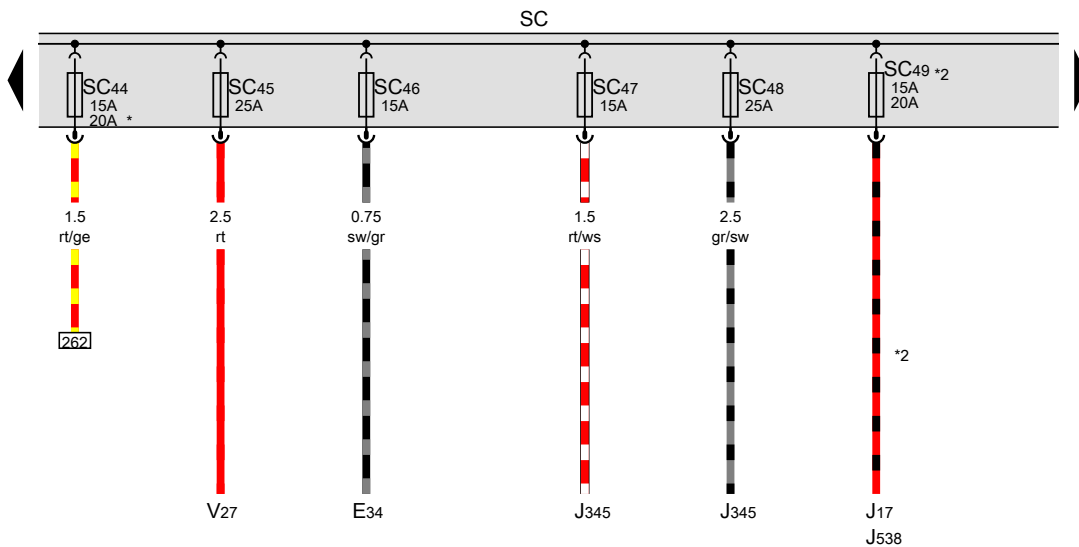
99 100 101 102 103 104 105 106 107 108 109 110 111 112

[NH0-131090516]



Fuse holder C

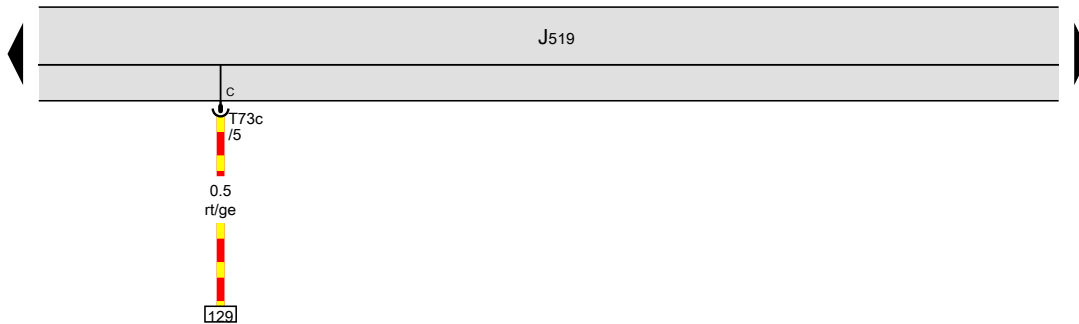
- E34 Rear wiper switch
- J17 Fuel pump relay
- J345 Trailer detector control unit, on right in luggage compartment
- J519 Onboard supply control unit
- J538 Fuel pump control unit
- SC Fuse holder C
- SC44 Fuse 44 on fuse holder C
- SC45 Fuse 45 on fuse holder C
- SC46 Fuse 46 on fuse holder C
- SC47 Fuse 47 on fuse holder C
- SC48 Fuse 48 on fuse holder C
- SC49 Fuse 49 on fuse holder C
- V27 Rear right window regulator motor
- * Only models with 12 V socket in luggage compartment
- *2 see applicable current flow diagram for engine



- ws = white
- sw = black
- ro = red
- rt = red
- br = brown
- gn = green
- bl = blue
- gr = grey
- li = purple
- vi = purple
- ge = yellow
- or = orange
- rs = pink

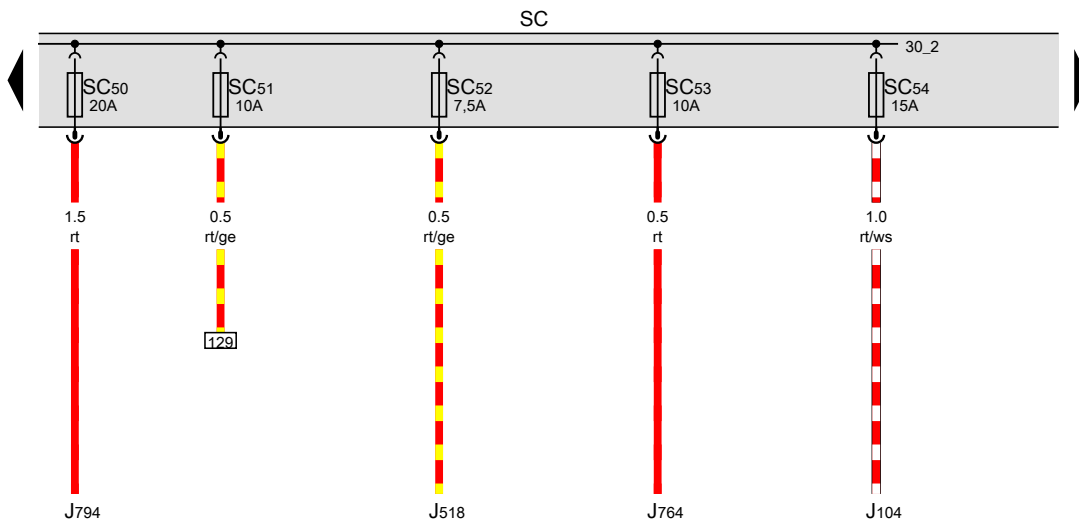
113 114 115 116 117 118 119 120 121 122 123 124 125 126

[NH0-131100516]



Fuse holder C

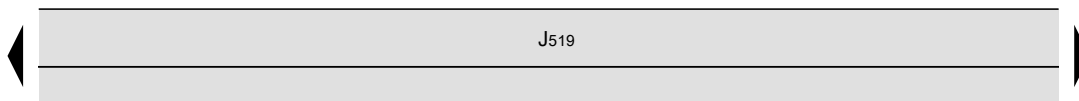
- J104 ABS control unit
- J518 Entry and start authorisation control unit
- J519 Onboard supply control unit
- J764 Control unit for electronic steering column lock
- J794 Control unit 1 for information electronics
- SC Fuse holder C
- SC50 Fuse 50 on fuse holder C
- SC51 Fuse 51 on fuse holder C
- SC52 Fuse 52 on fuse holder C
- SC53 Fuse 53 on fuse holder C
- SC54 Fuse 54 on fuse holder C
- T73c 73-pin connector, black



- ws = white
- sw = black
- ro = red
- rt = red
- br = brown
- gn = green
- bl = blue
- gr = grey
- li = purple
- vi = purple
- ge = yellow
- or = orange
- rs = pink

127 128 129 130 131 132 133 134 135 136 137 138 139 140

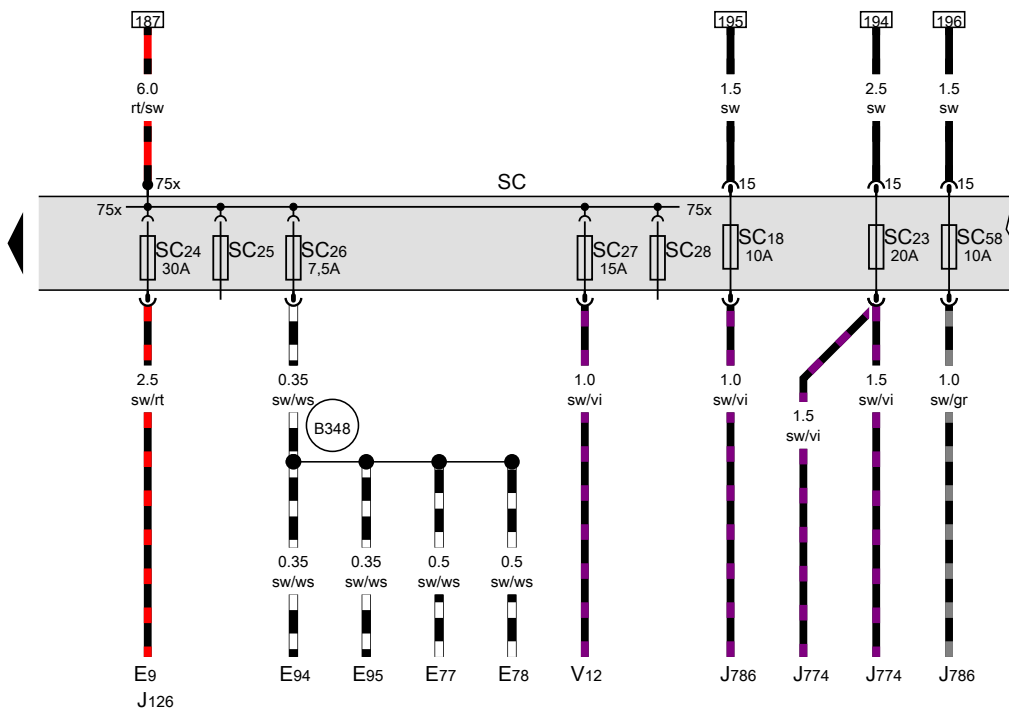
[NH0-131110516]



Fuse holder C

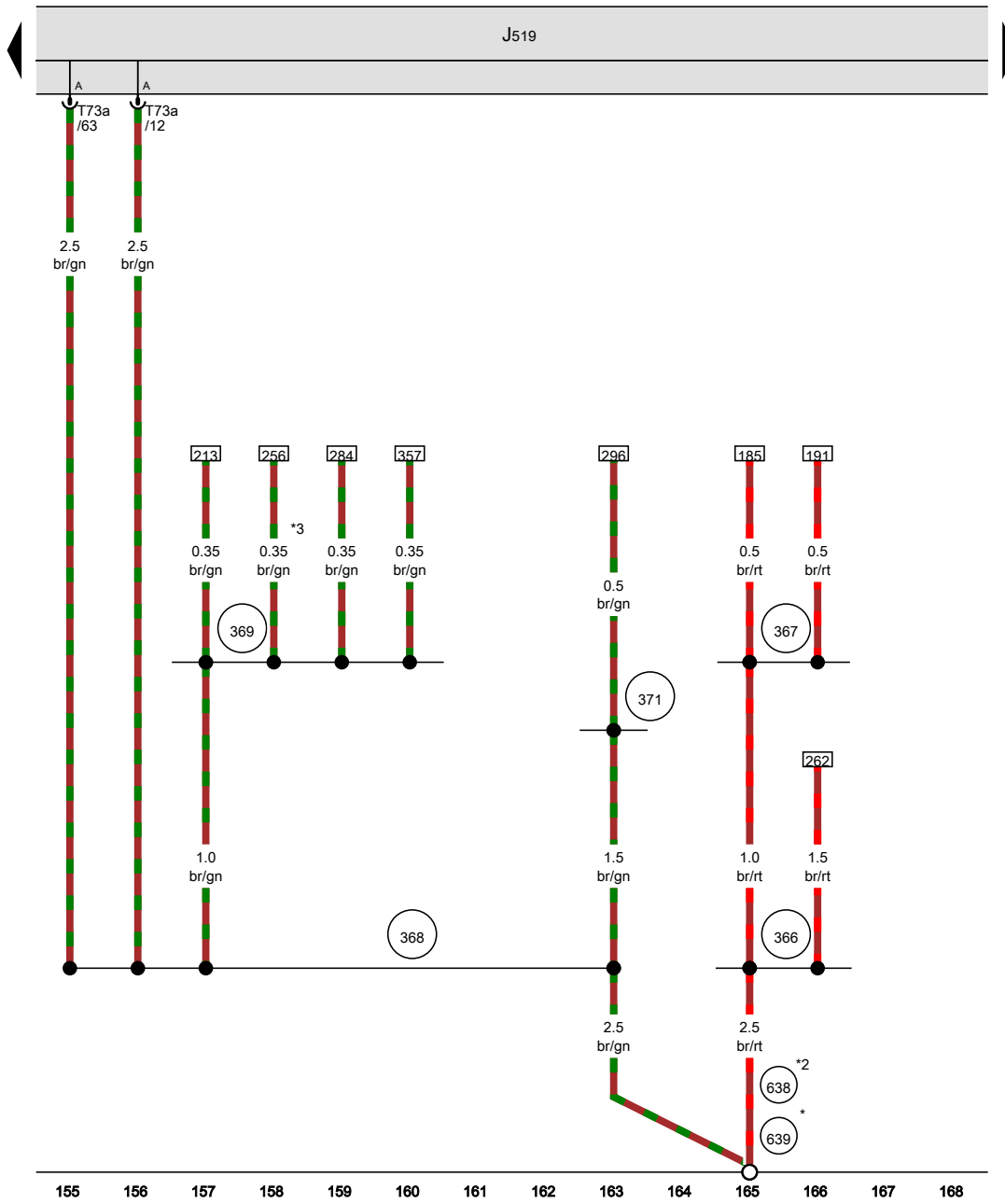
- E9 Fresh air blower switch
- E77 Rear left seat heating switch
- E78 Rear right seat heating switch
- E94 Heated driver seat regulator
- E95 Heated front passenger seat regulator
- J126 Fresh air blower control unit
- J519 Onboard supply control unit
- J774 Heated front seats control unit, behind dash panel, centre
- J786 Heated rear seats control unit, on left in luggage compartment
- SC Fuse holder C
- SC18 Fuse 18 on fuse holder C
- SC23 Fuse 23 on fuse holder C
- SC24 Fuse 24 on fuse holder C
- SC25 Fuse 25 on fuse holder C
- SC26 Fuse 26 on fuse holder C
- SC27 Fuse 27 on fuse holder C
- SC28 Fuse 28 on fuse holder C
- SC58 Fuse 58 on fuse holder C
- V12 Rear window wiper motor

B348 Connection 1 (75a), in main wiring harness



141 142 143 144 145 146 147 148 149 150 151 152 153 154

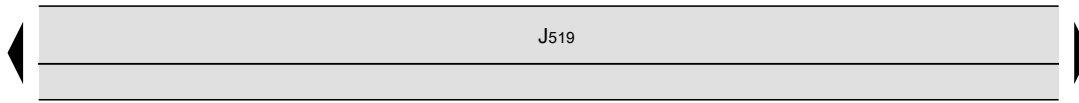
[NH0-131120516]



- J519 Onboard supply control unit
- T73a 73-pin connector, black
- 366 Earth connection 1, in main wiring harness
- 367 Earth connection 2, in main wiring harness
- 368 Earth connection 3, in main wiring harness
- 369 Earth connection 4, in main wiring harness
- 371 Earth connection 6, in main wiring harness
- 638 Earth point, on right A-pillar
- 639 Earth point, left A-pillar
- * Only left-hand drive models
- *2 Only right-hand drive models
- *3 Special equipment

ws = white
 sw = black
 ro = red
 rt = red
 br = brown
 gn = green
 bl = blue
 gr = grey
 li = purple
 vi = purple
 ge = yellow
 or = orange
 rs = pink

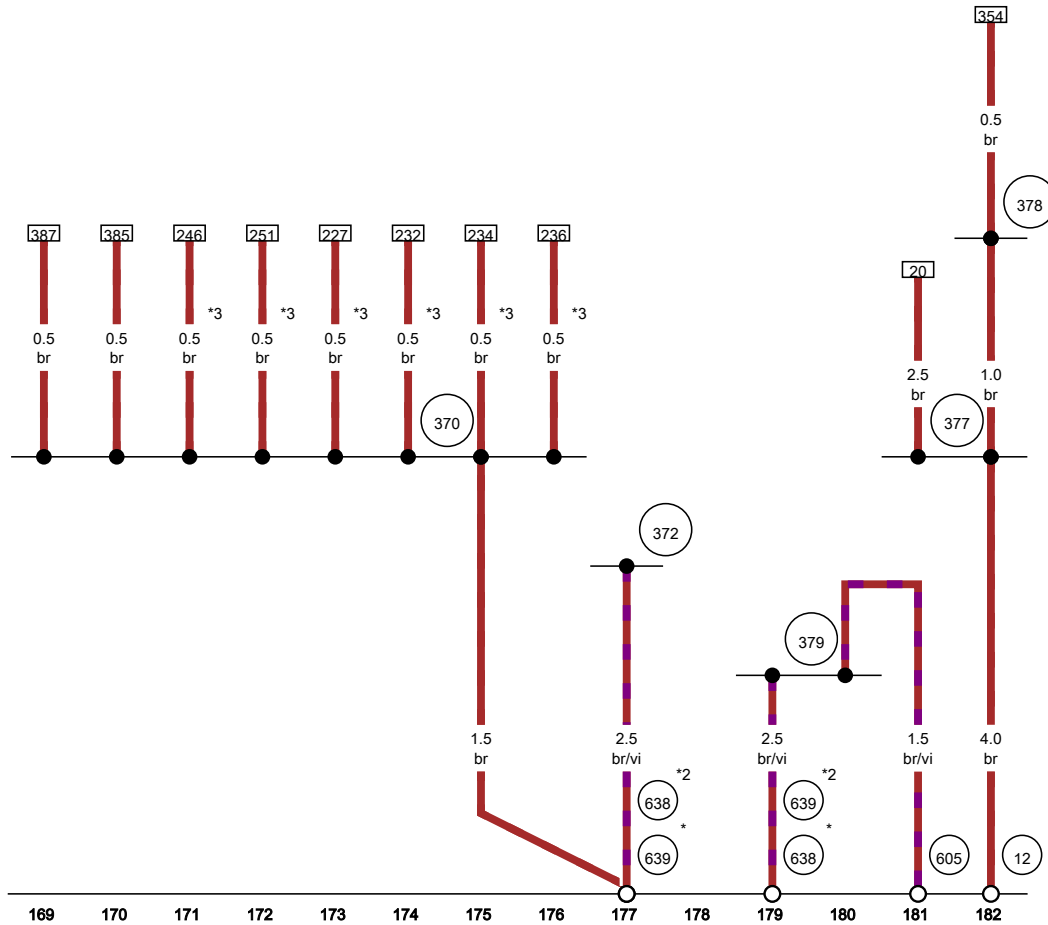
[NH0-131130516]



J519 Onboard supply control unit

- 12 Earth point, on left in engine compartment
- 370 Earth connection 5, in main wiring harness
- 372 Earth connection 7, in main wiring harness
- 377 Earth connection 12, in main wiring harness
- 378 Earth connection 13, in main wiring harness
- 379 Earth connection 14, in main wiring harness
- 605 Earth point, on top end of steering column
- 638 Earth point, on right A-pillar
- 639 Earth point, left A-pillar

- * Only left-hand drive models
- *2 Only right-hand drive models
- *3 According to equipment



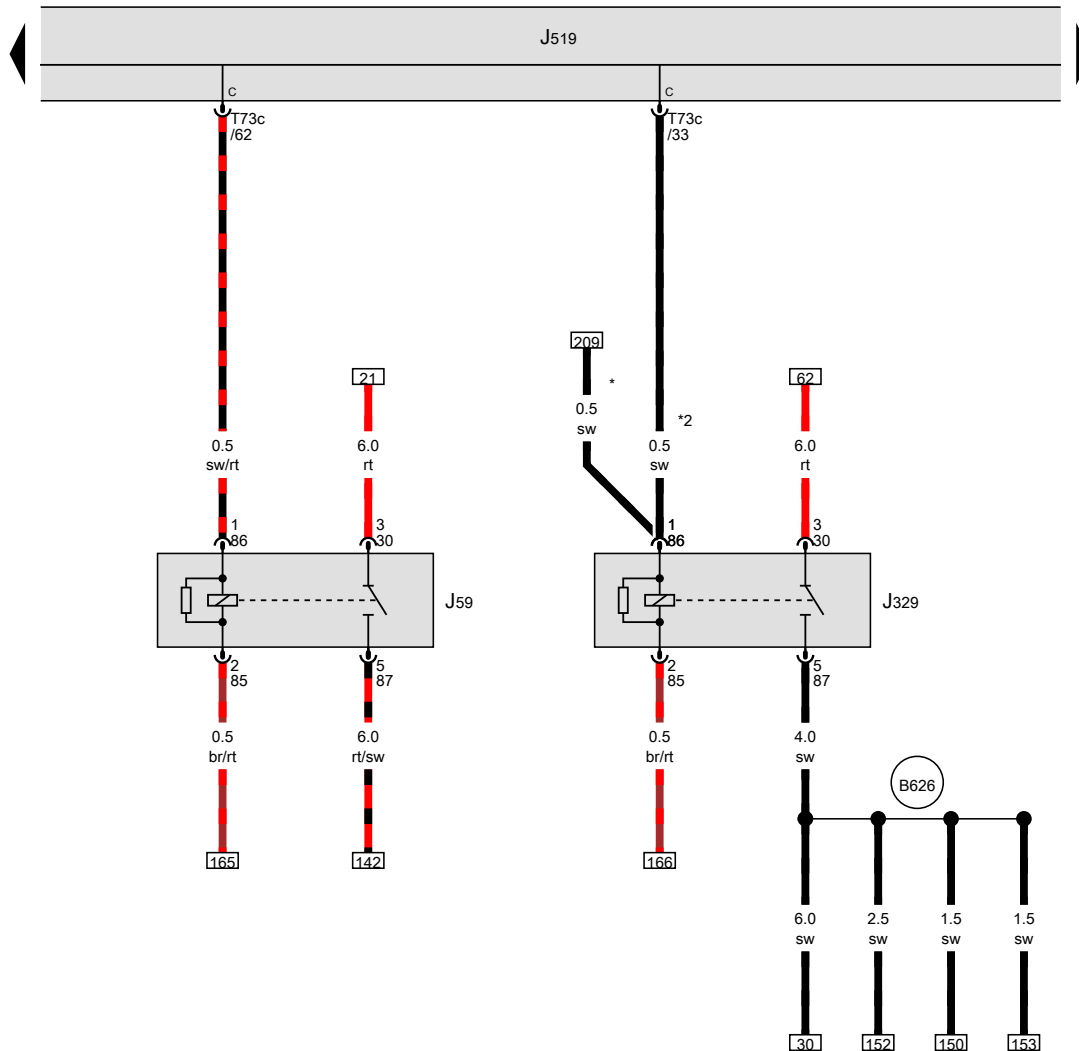
- ws = white
- sw = black
- ro = red
- rt = red
- br = brown
- gn = green
- bl = blue
- gr = grey
- li = purple
- vi = purple
- ge = yellow
- or = orange
- rs = pink

[NH0-131140516]

X-contact relief relay, Terminal 15 voltage supply relay

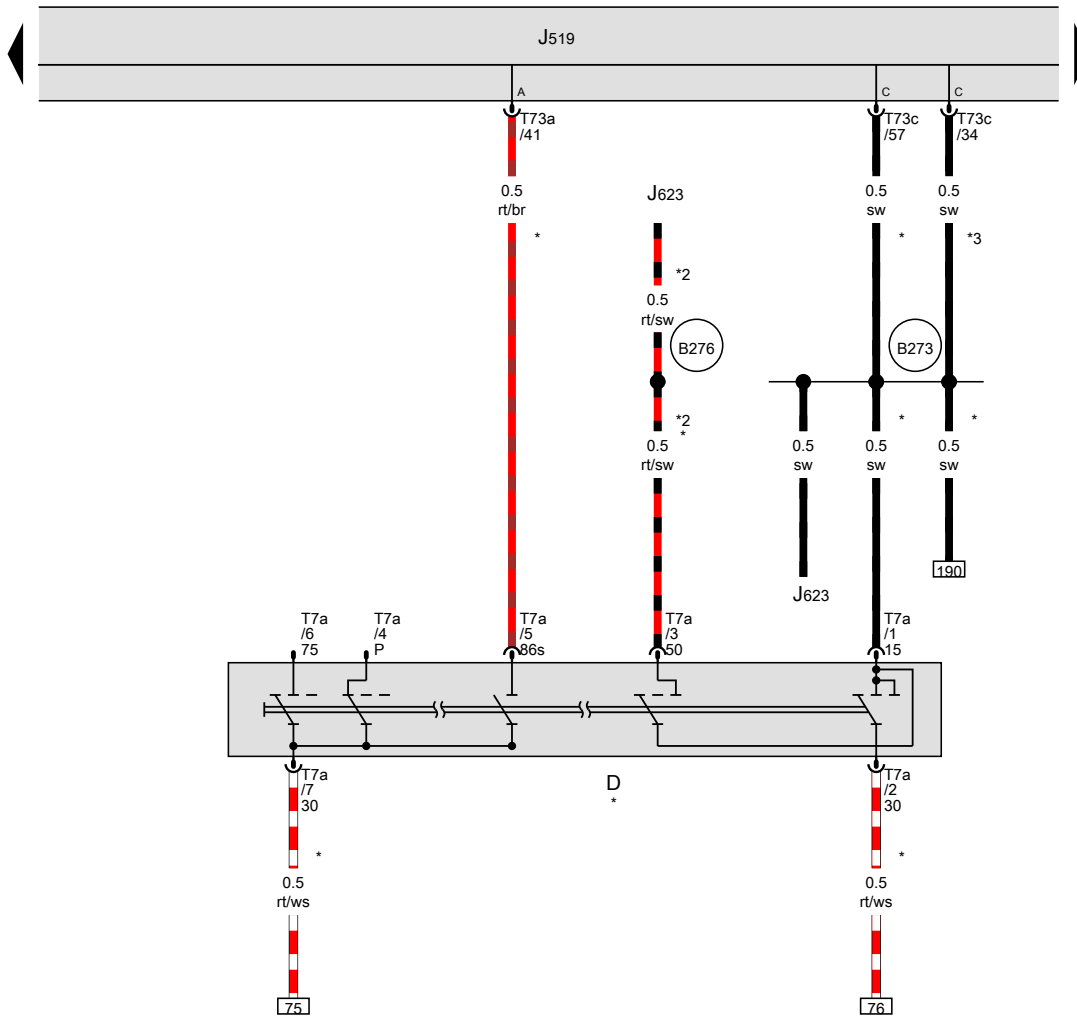
- J59 X-contact relief relay
- J329 Terminal 15 voltage supply relay
- J519 Onboard supply control unit
- T73c 73-pin connector, black

- B626 Positive connection 2 (15), in main wiring harness
- * Only models with no entry and start authorisation
- *2 Only models with entry and start authorisation



183 184 185 186 187 188 189 190 191 192 193 194 195 196

[NH0-131150516]



Ignition/starter switch

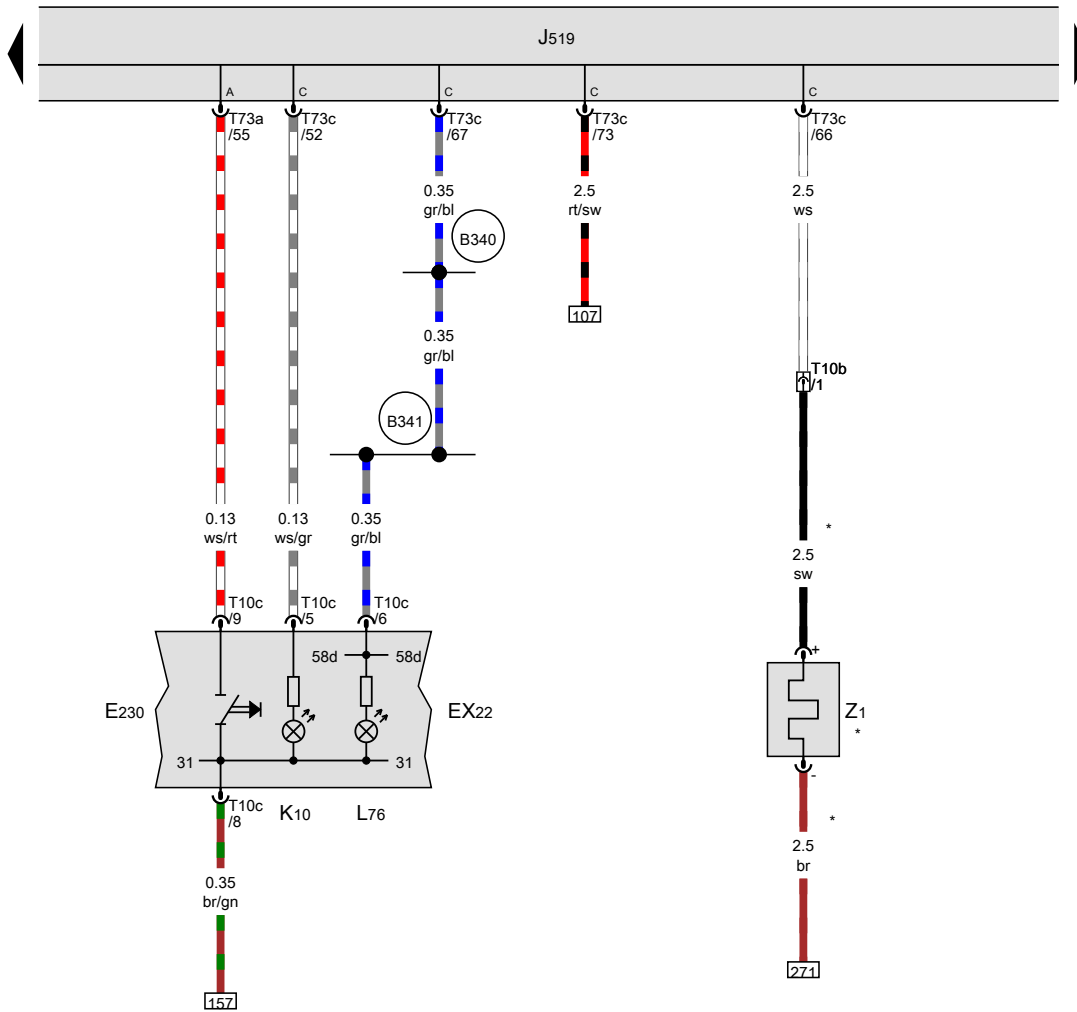
- D Ignition/starter switch
- J519 Onboard supply control unit
- J623 Engine control unit
- T7a 7-pin connector
- T73a 73-pin connector, black
- T73c 73-pin connector, black

(B273) Positive connection (15), in main wiring harness

(B276) Positive connection (50), in main wiring harness

- * Only models with no entry and start authorisation see applicable current flow diagram for engine
- *2 Only models with entry and start authorisation
- *3 Only models with entry and start authorisation

- ws = white
- sw = black
- ro = red
- rt = red
- br = brown
- gn = green
- bl = blue
- gr = grey
- li = purple
- vi = purple
- ge = yellow
- or = orange
- rs = pink



Centre switch module in dash panel, Heated rear window button, Heated rear window

- EX22 Centre switch module in dash panel
- E230 Heated rear window button
- J519 Onboard supply control unit
- K10 Heated rear window warning lamp
- L76 Button illumination bulb
- T10b 10-pin connector
- T10c 10-pin connector, black
- T73a 73-pin connector, black
- T73c 73-pin connector, black
- Z1 Heated rear window

B340 Connection 1 (58d), in main wiring harness

B341 Connection 2 (58d), in main wiring harness

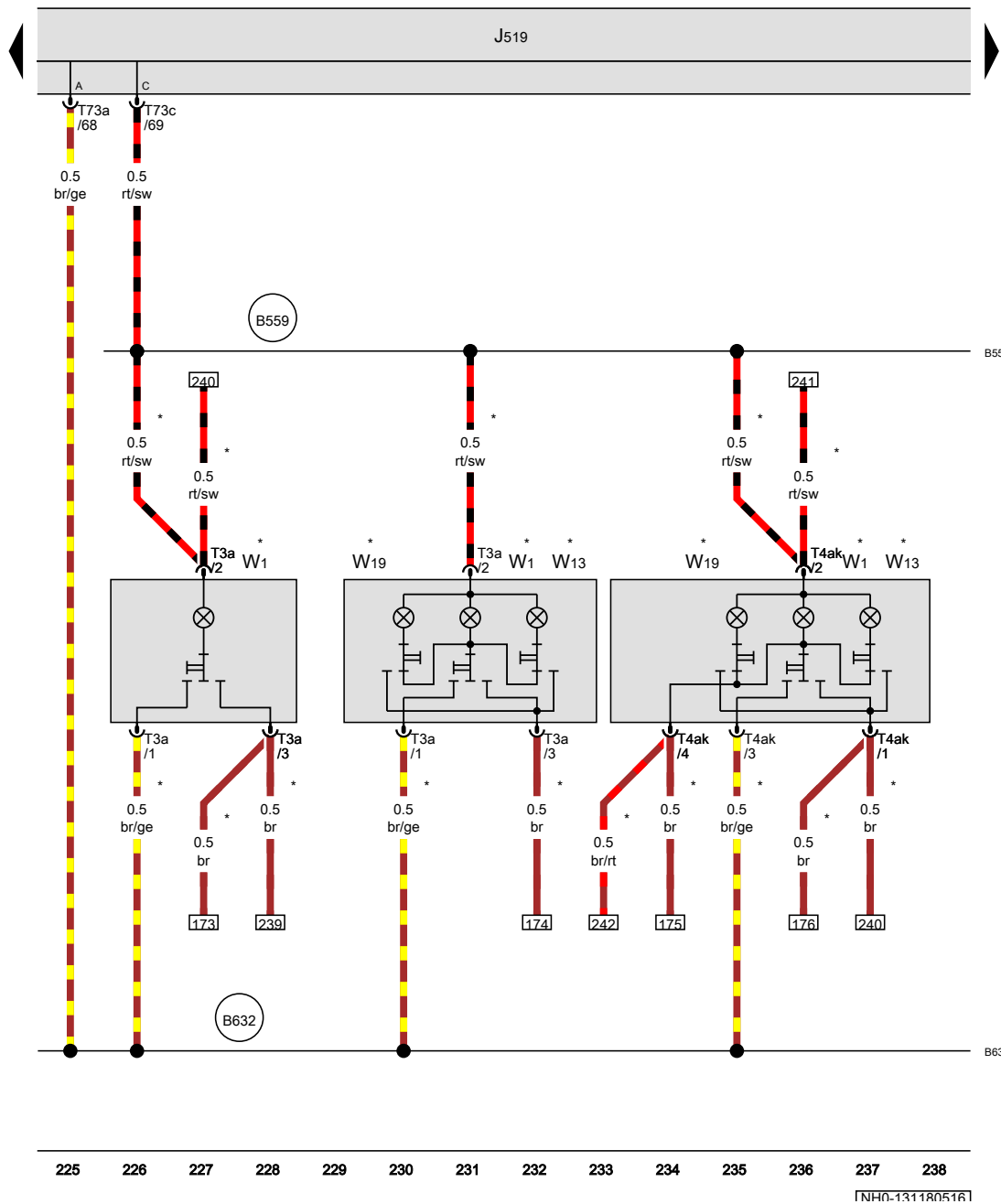
* Only models with no rear window aerial

- ws = white
- sw = black
- ro = red
- rt = red
- br = brown
- gn = green
- bl = blue
- gr = grey
- li = purple
- vi = purple
- ge = yellow
- or = orange
- rs = pink

Front interior light, Front passenger reading light, Driver side reading light

- J519 Onboard supply control unit
- T3a 3-pin connector
- T4ak 4-pin connector
- T73a 73-pin connector, black
- T73c 73-pin connector, black
- W1 Front interior light
- W13 Front passenger reading light
- W19 Driver side reading light

- B559 Positive connection 1 (30g), in main wiring harness
- B632 Connection (interior light, 31), in main wiring harness
- * According to equipment



- ws = white
- sw = black
- ro = red
- rt = red
- br = brown
- gn = green
- bl = blue
- gr = grey
- li = purple
- vi = purple
- ge = yellow
- or = orange
- rs = pink

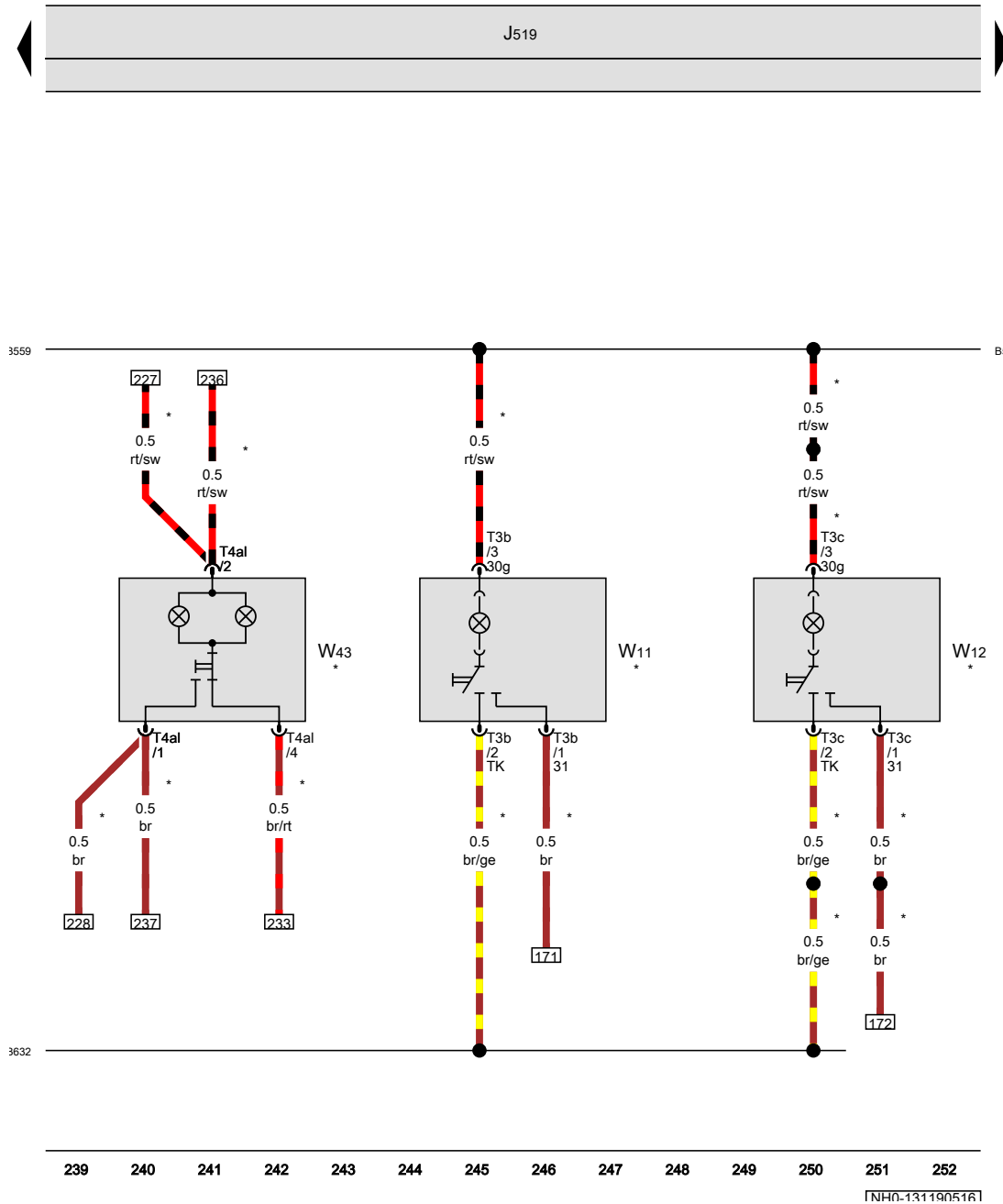
Rear left reading light, Rear right reading light, Rear interior light

- J519 Onboard supply control unit
- T3b 3-pin connector
- T3c 3-pin connector
- T4al 4-pin connector
- W11 Rear left reading light
- W12 Rear right reading light
- W43 Rear interior light

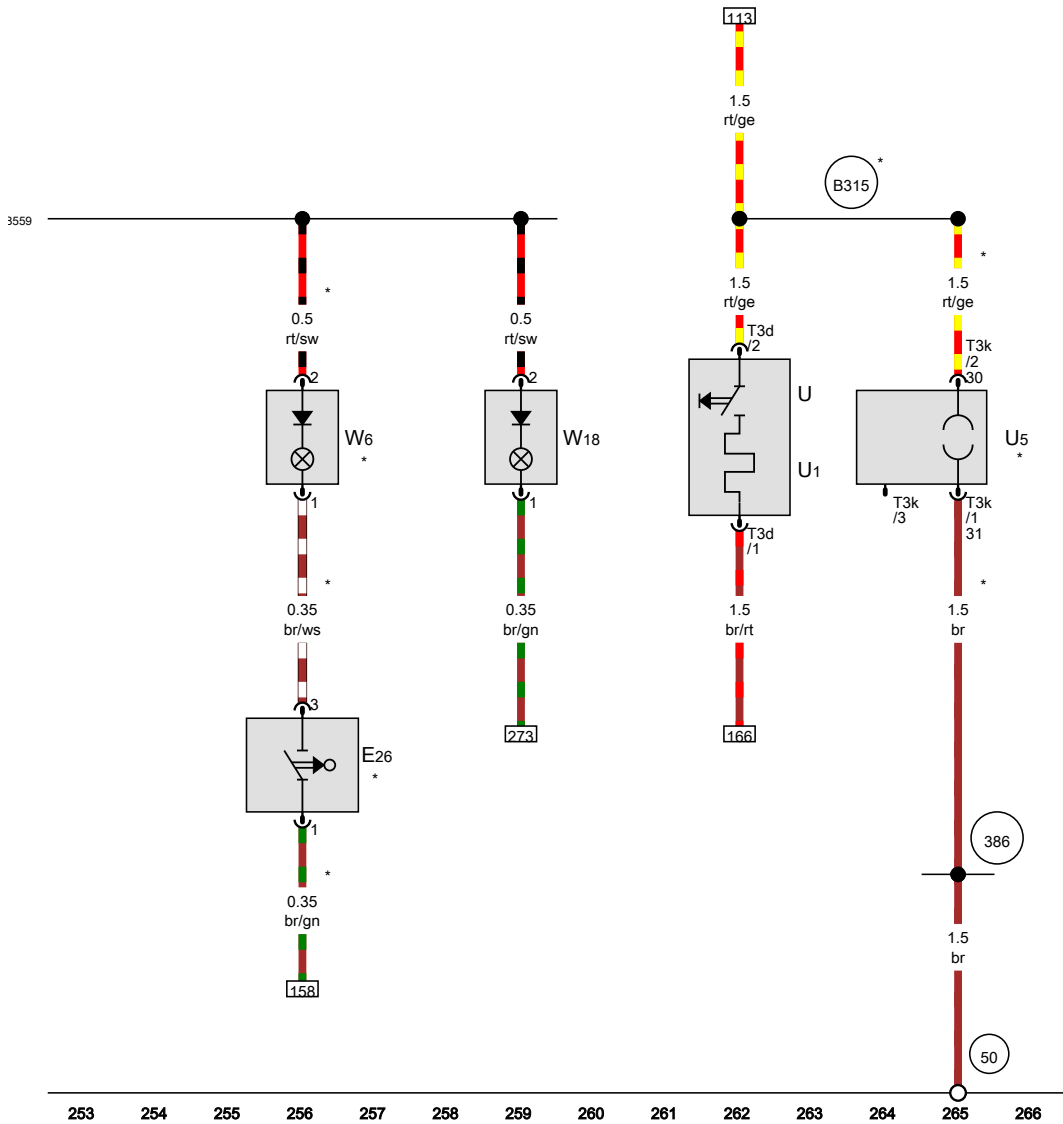
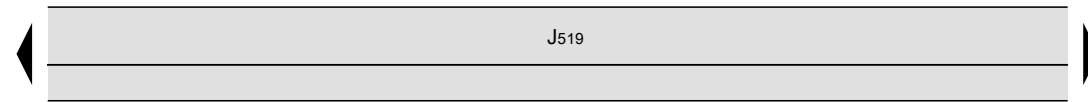
B559 Positive connection 1 (30g), in main wiring harness

B632 Connection (interior light, 31), in main wiring harness

* According to equipment



- ws = white
- sw = black
- ro = red
- rt = red
- br = brown
- gn = green
- bl = blue
- gr = grey
- li = purple
- vi = purple
- ge = yellow
- or = orange
- rs = pink



[NH0-131200516]

Glove compartment light switch, Electric socket, Cigarette lighter, 12 V socket, Glove compartment light, Luggage compartment light on left

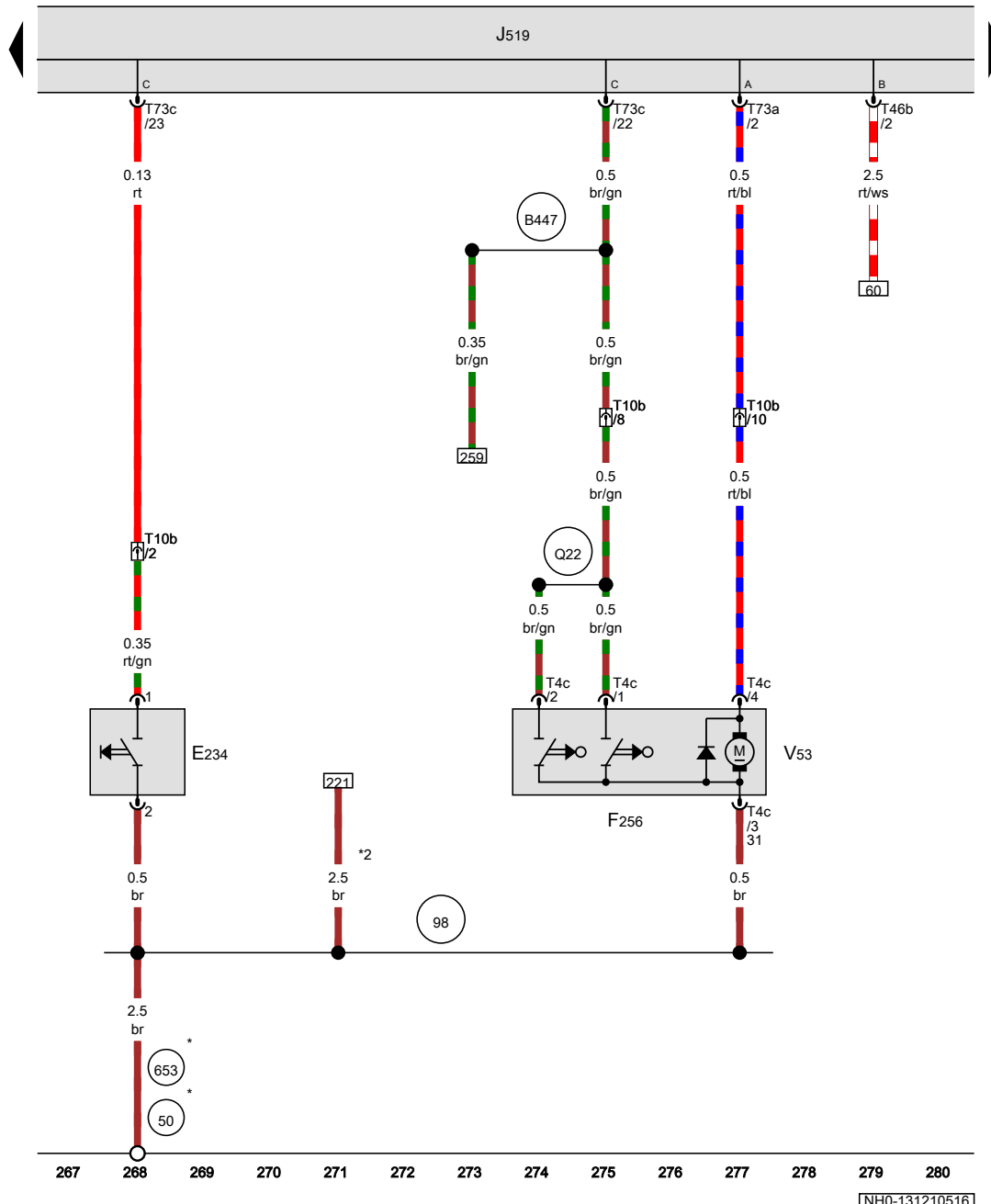
- E26 Glove compartment light switch
- J519 Onboard supply control unit
- T3d 3-pin connector
- T3k 3-pin connector, on left in luggage compartment
- U Electric socket
- U1 Cigarette lighter
- U5 12 V socket
- W6 Glove compartment light
- W18 Luggage compartment light on left

- 50 Earth point, on left in luggage compartment
- 386 Earth connection 21, in main wiring harness
- B315 Positive connection 1 (30a) in main wiring harness
- B559 Positive connection 1 (30g), in main wiring harness

* Special equipment

- ws = white
- sw = black
- ro = red
- rt = red
- br = brown
- gn = green
- bl = blue
- gr = grey
- li = purple
- vi = purple
- ge = yellow
- or = orange
- rs = pink

Rear lid handle release button, Rear lid lock unit, Rear lid central locking motor



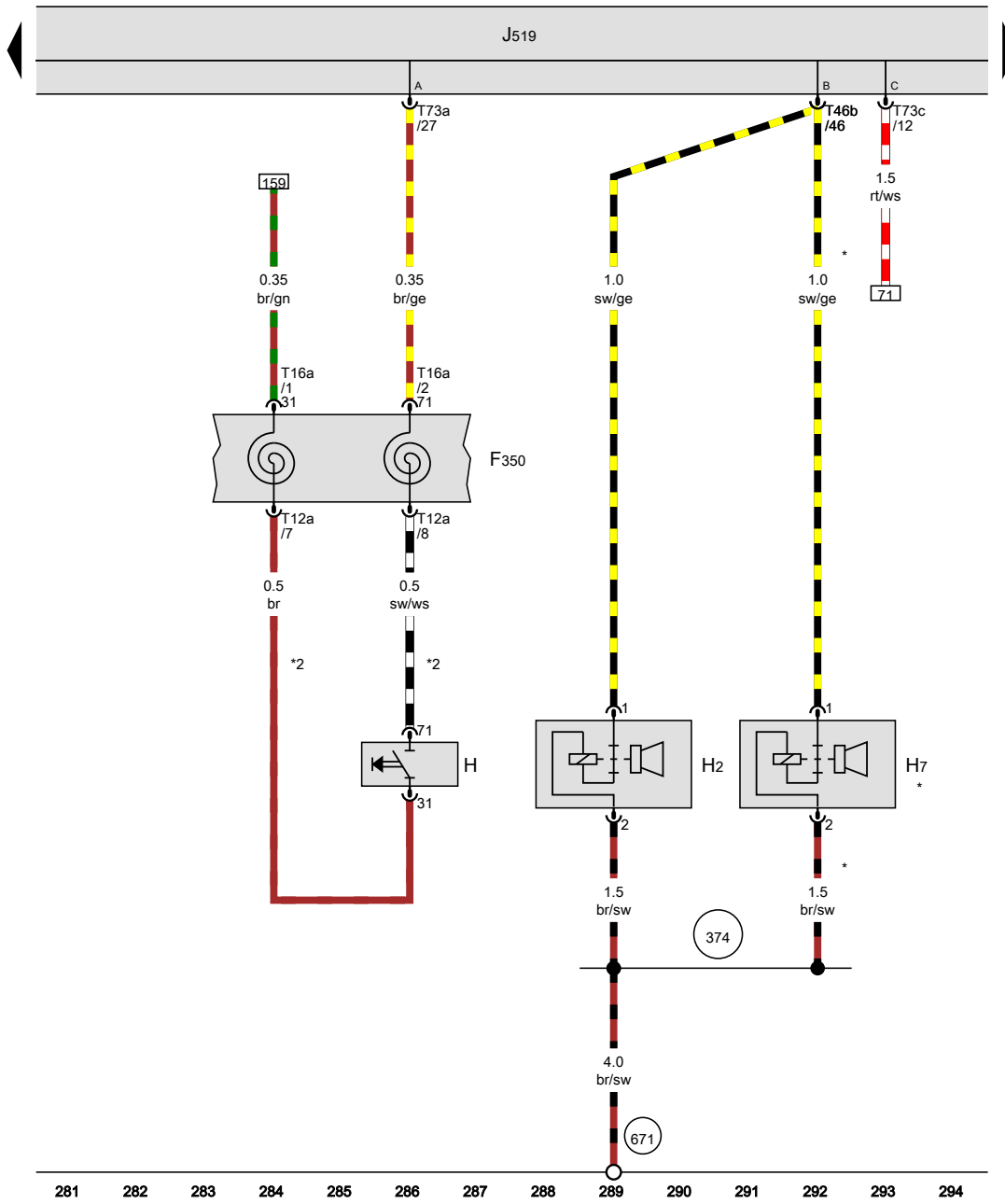
- E234 Rear lid handle release button
- F256 Rear lid lock unit
- J519 Onboard supply control unit
- T4c 4-pin connector
- T10b 10-pin connector
- T46b 46-pin connector, brown
- T73a 73-pin connector, black
- T73c 73-pin connector, black
- V53 Rear lid central locking motor

- 50 Earth point, on left in luggage compartment
- 98 Earth connection, in rear lid wiring harness
- 653 Earth point, on left D-pillar
- B447 Connection (luggage compartment light), in main wiring harness
- Q22 Connection 1, in rear lid wiring harness
- * see fitting locations
- *2 Only models with no rear window aerial

ws = white
 sw = black
 ro = red
 rt = red
 br = brown
 gn = green
 bl = blue
 gr = grey
 li = purple
 vi = purple
 ge = yellow
 or = orange
 rs = pink

[NH0-131210516]

Coil connector, Horn plate, Treble horn, Bass horn



- F350 Coil connector
- H Horn plate
- H2 Treble horn
- H7 Bass horn
- J519 Onboard supply control unit
- T12a 12-pin connector
- T16a 16-pin connector
- T46b 46-pin connector, brown
- T73a 73-pin connector, black
- T73c 73-pin connector, black

- 374 Earth connection 9, in main wiring harness
- 671 Earth point 1, on front of left longitudinal member
- * Only models with dual tone horn
- *2 Only models with no multifunction steering wheel

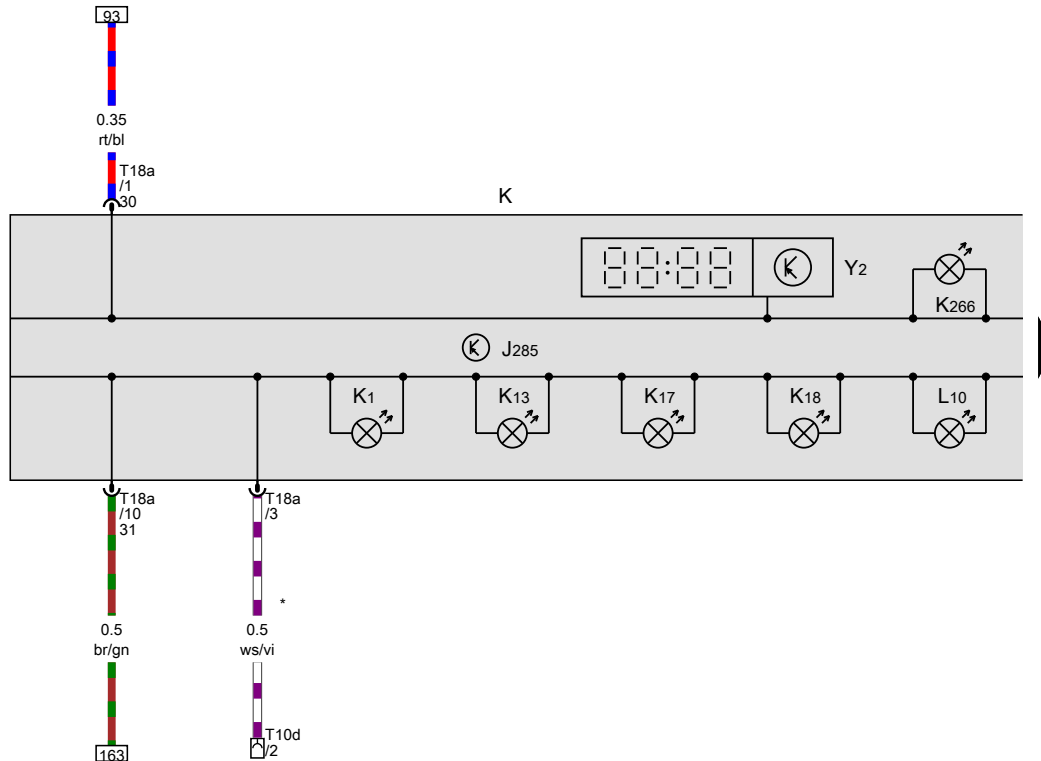
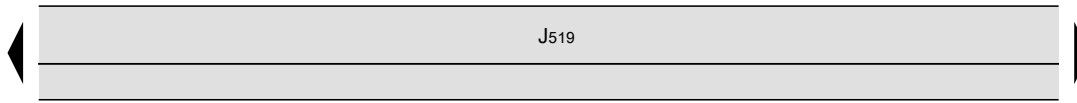
- ws = white
- sw = black
- ro = red
- rt = red
- br = brown
- gn = green
- bl = blue
- gr = grey
- li = purple
- vi = purple
- ge = yellow
- or = orange
- rs = pink

281 282 283 284 285 286 287 288 289 290 291 292 293 294

[NH0-131220516]

Dash panel insert, Digital clock

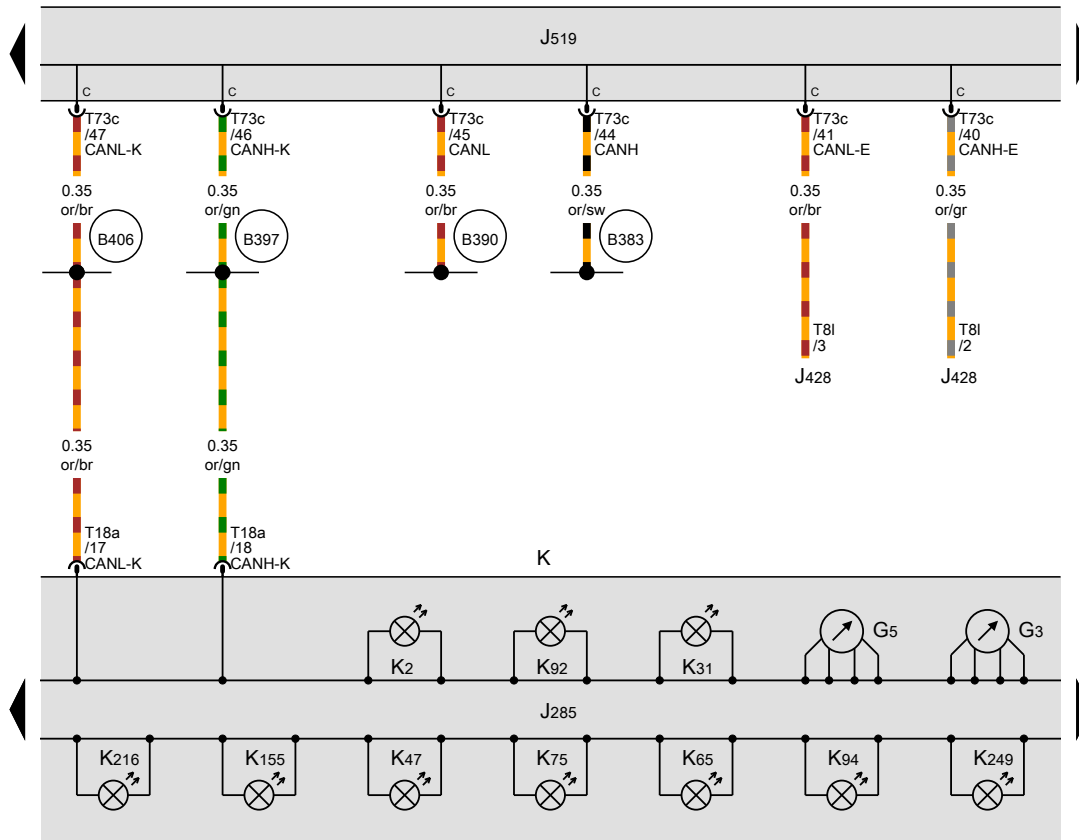
- J285 Control unit in dash panel insert
- J519 Onboard supply control unit
- K Dash panel insert
- K1 Main beam warning lamp
- K13 Rear fog light warning lamp
- K17 Fog light warning lamp
- K18 Trailer operation warning lamp
- K266 Warning lamp for dipped beams
- L10 Dash panel insert illumination bulb
- T10d 10-pin connector, purple
- T18a 18-pin connector
- Y2 Digital clock
- * Only models with taxi equipment



- ws = white
- sw = black
- ro = red
- rt = red
- br = brown
- gn = green
- bl = blue
- gr = grey
- li = purple
- vi = purple
- ge = yellow
- or = orange
- rs = pink

295 296 297 298 299 300 301 302 303 304 305 306 307 308

[NH0-131230516]



Coolant temperature gauge, Rev. counter, Dash panel insert

- G3 Coolant temperature gauge
- G5 Rev. counter
- J285 Control unit in dash panel insert
- J428 Adaptive cruise control unit
- J519 Onboard supply control unit
- K Dash panel insert
- K2 Alternator warning lamp
- K31 Cruise control system warning lamp
- K47 ABS warning lamp
- K65 Left turn signal warning lamp
- K75 Airbag warning lamp
- K92 Servotronic warning lamp
- K94 Right turn signal warning lamp
- K155 Warning lamp for electronic stabilisation program and TCS
- K216 Warning lamp 2 for electronic stabilisation program and TCS
- K249 Cold engine warning light
- T81 8-pin connector
- T18a 18-pin connector
- T73c 73-pin connector, black

- B383 Connection 1 (powertrain CAN bus, high), in main wiring harness
- B390 Connection 1 (powertrain CAN bus, low), in main wiring harness
- B397 Connection 1 (convenience CAN bus, high), in main wiring harness
- B406 Connection 1 (convenience CAN bus, low), in main wiring harness

- ws = white
- sw = black
- ro = red
- rt = red
- br = brown
- gn = green
- bl = blue
- gr = grey
- li = purple
- vi = purple
- ge = yellow
- or = orange
- rs = pink

309 310 311 312 313 314 315 316 317 318 319 320 321 322

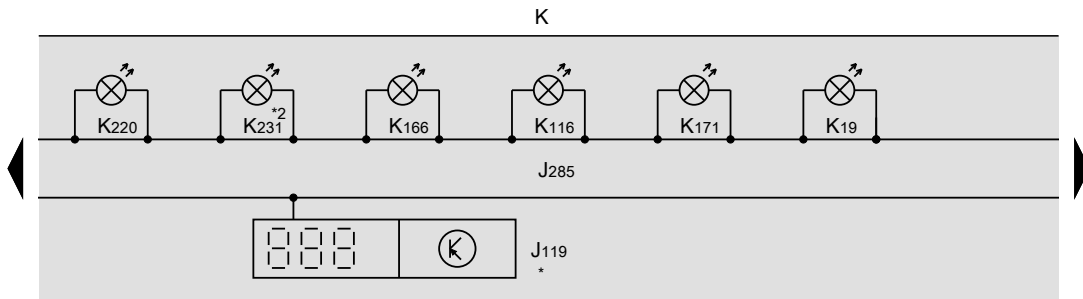
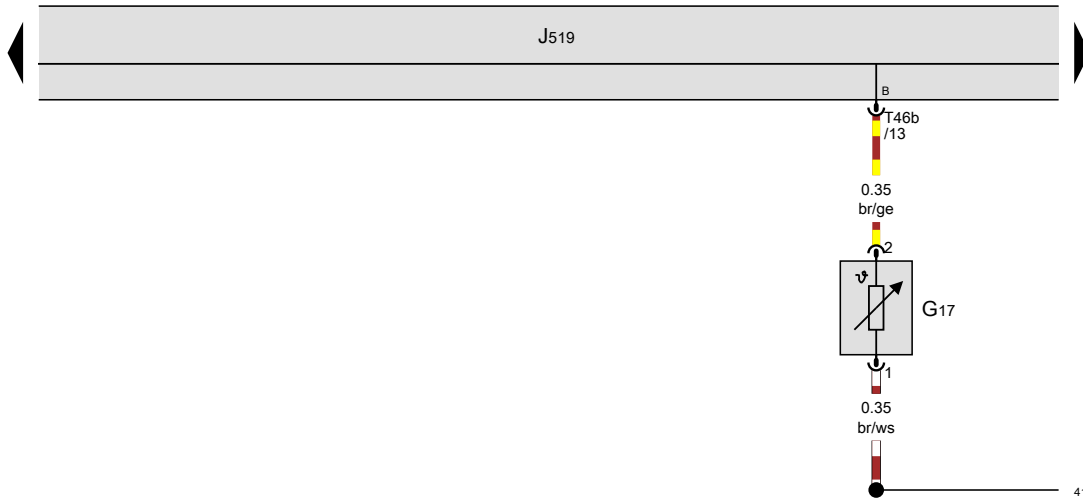
[NH0-131240516]

Ambient temperature sensor, Multifunction indicator, Dash panel insert

- G17 Ambient temperature sensor
- J119 Multifunction indicator
- J285 Control unit in dash panel insert
- J519 Onboard supply control unit
- K Dash panel insert
- K19 Seat belt warning system warning lamp
- K116 Rear lid open warning lamp
- K166 Door open warning lamp
- K171 Bonnet open warning lamp
- K220 Tyre Pressure Loss Indicator warning lamp
- K231 Diesel particulate filter warning lamp
- T46b 46-pin connector, brown

410 Earth connection 1 (sender earth) in main wiring harness

- * Only models with multifunction display
- *2 Only models with diesel particulate filter



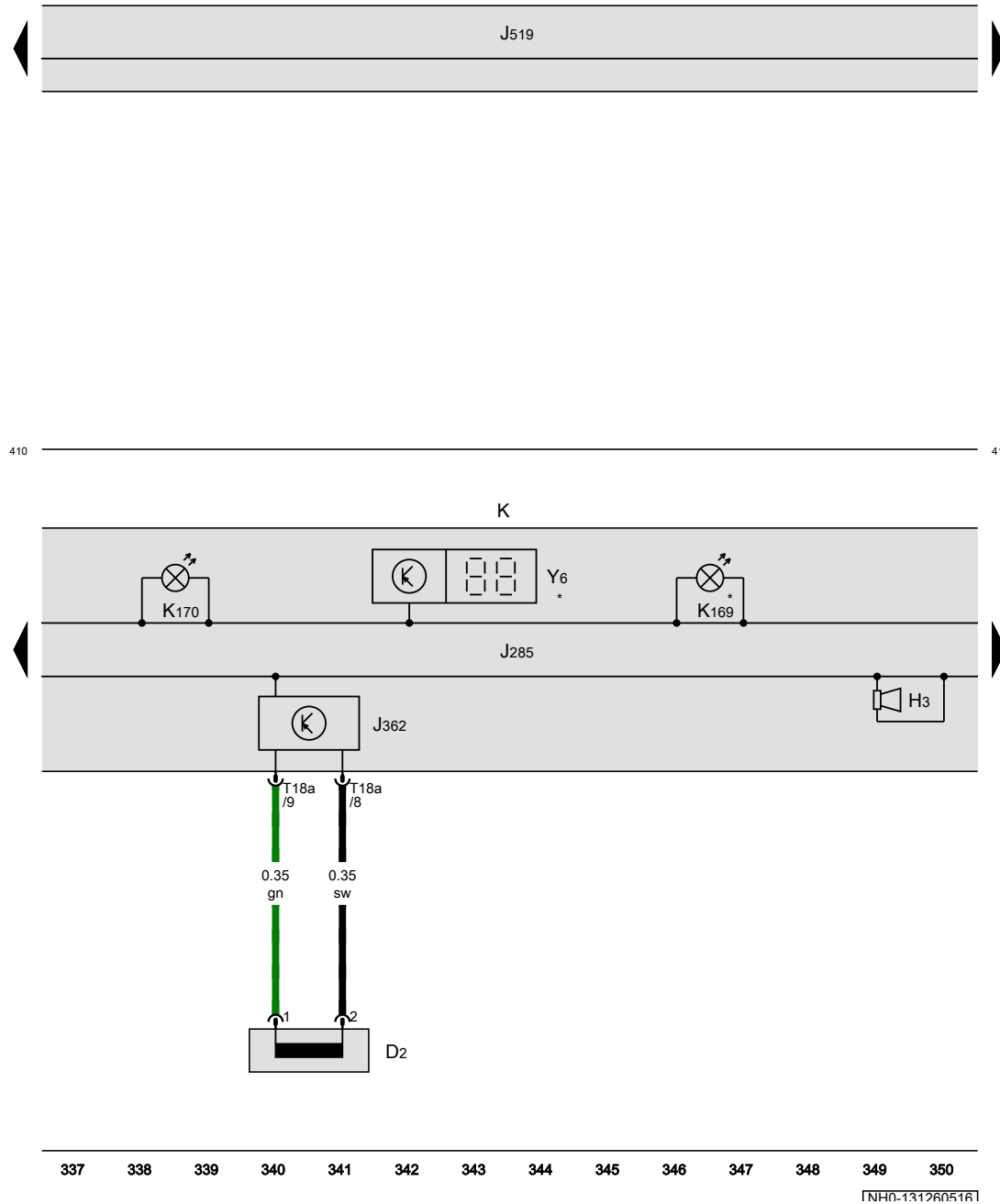
- ws = white
- sw = black
- ro = red
- rt = red
- br = brown
- gn = green
- bl = blue
- gr = grey
- li = purple
- vi = purple
- ge = yellow
- or = orange
- rs = pink

323 324 325 326 327 328 329 330 331 332 333 334 335 336

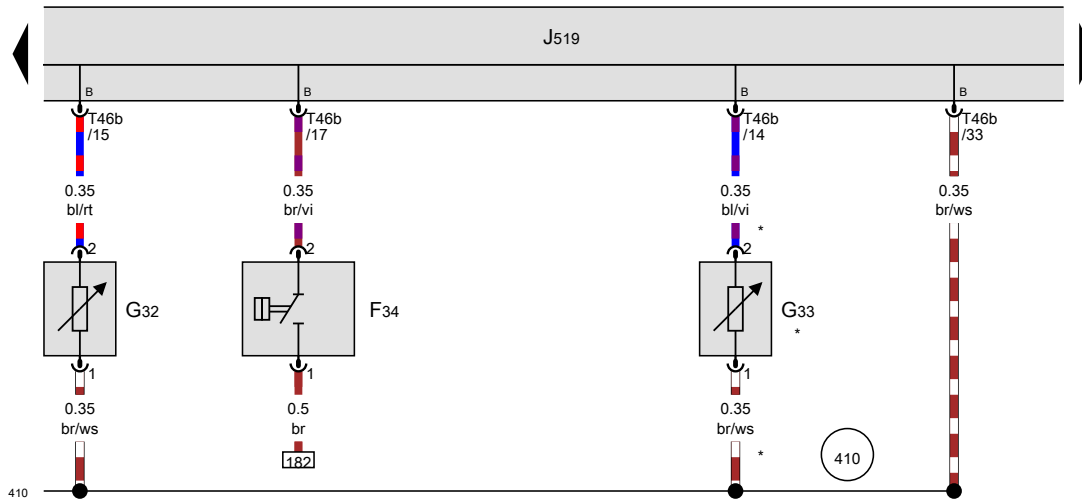
[NH0-131250516]

Immobiliser reader coil, Buzzer and gong, Immobiliser control unit, Dash panel insert, Selector lever position display

- D2 Immobiliser reader coil
 - H3 Buzzer and gong
 - J285 Control unit in dash panel insert
 - J362 Immobiliser control unit
 - J519 Onboard supply control unit
 - K Dash panel insert
 - K169 Selector lever lock warning lamp
 - K170 Bulb failure warning lamp
 - T18a 18-pin connector
 - Y6 Selector lever position display
- 410 Earth connection 1 (sender earth) in main wiring harness
- * Only models with automatic gearbox

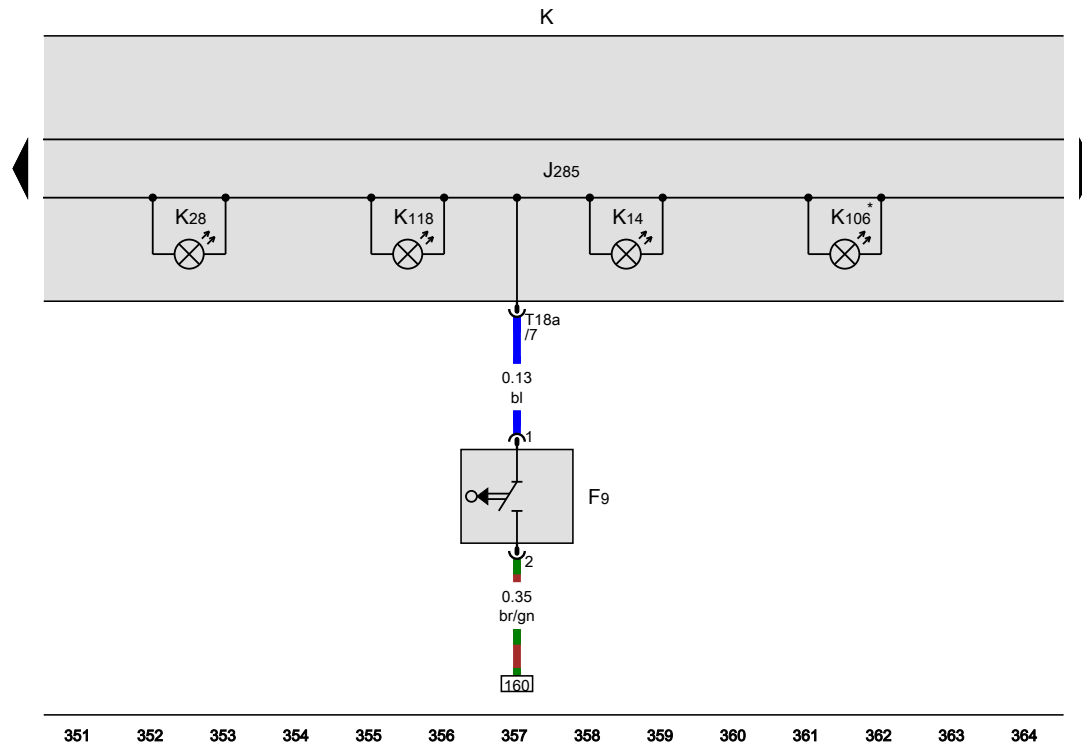


[NH0-131260516]



Handbrake warning switch, Brake fluid level warning contact, Coolant shortage indicator sender, Windscreen washer fluid level sender, Dash panel insert

- F9 Handbrake warning switch
 - F34 Brake fluid level warning contact
 - G32 Coolant shortage indicator sender
 - G33 Windscreen washer fluid level sender
 - J285 Control unit in dash panel insert
 - J519 Onboard supply control unit
 - K Dash panel insert
 - K14 Handbrake warning lamp
 - K28 Coolant temperature and coolant shortage warning lamp
 - K106 Washer fluid low warning lamp
 - K118 Brake system warning lamp
 - T18a 18-pin connector
 - T46b 46-pin connector, brown
- 410 Earth connection 1 (sender earth) in main wiring harness
- * Special equipment



- ws = white
- sw = black
- ro = red
- rt = red
- br = brown
- gn = green
- bl = blue
- gr = grey
- li = purple
- vi = purple
- ge = yellow
- or = orange
- rs = pink

351 352 353 354 355 356 357 358 359 360 361 362 363 364

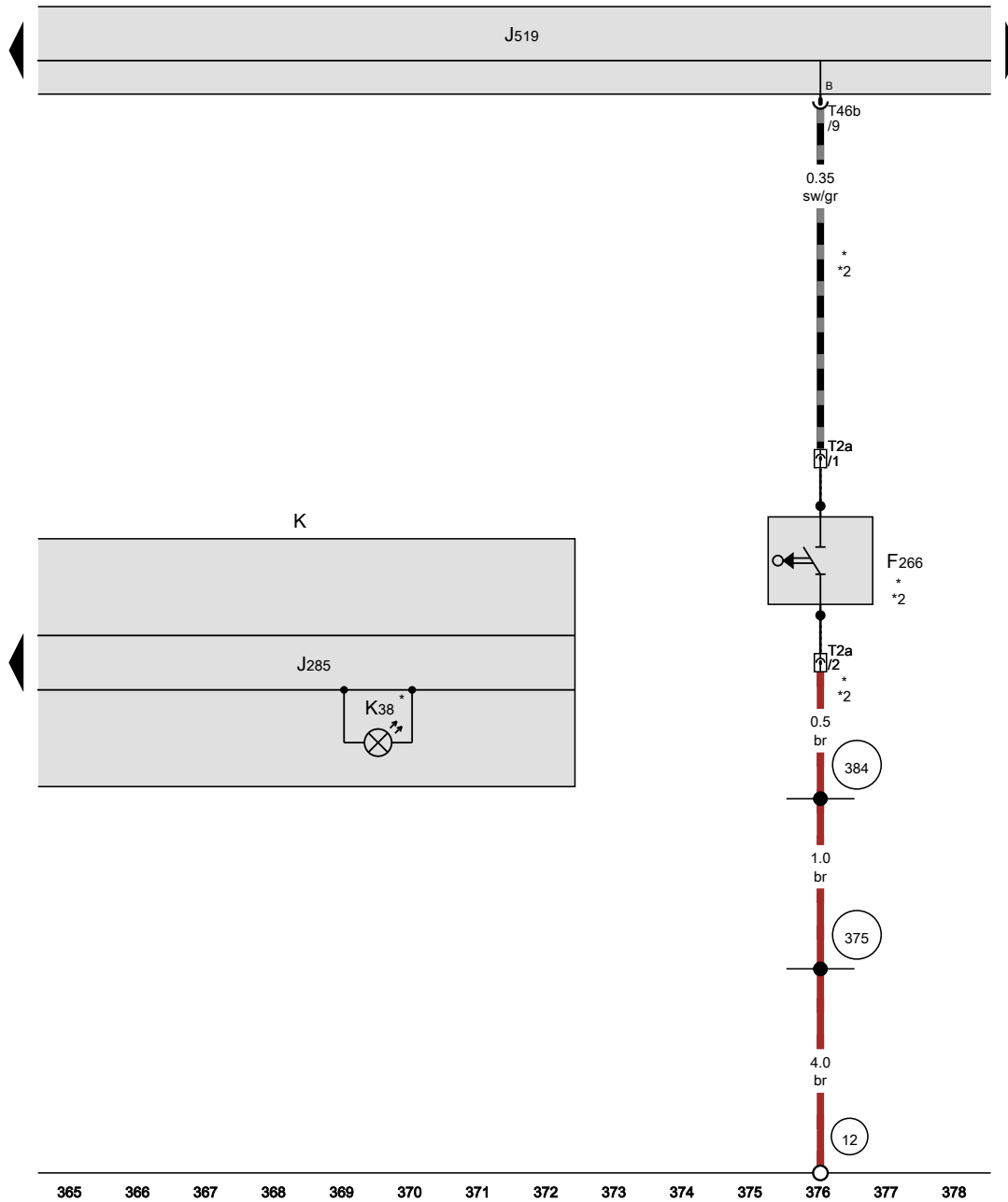
[NH0-131270516]

Bonnet contact switch, Dash panel insert

- F266 Bonnet contact switch
- J285 Control unit in dash panel insert
- J519 Onboard supply control unit
- K Dash panel insert
- K38 Oil level warning lamp
- T2a 2-pin connector
- T46b 46-pin connector, brown

- 12 Earth point, on left in engine compartment
- 375 Earth connection 10, in main wiring harness
- 384 Earth connection 19, in main wiring harness

- * Only models with extended servicing intervals (ESI)
- *2 For models with anti-theft alarm system

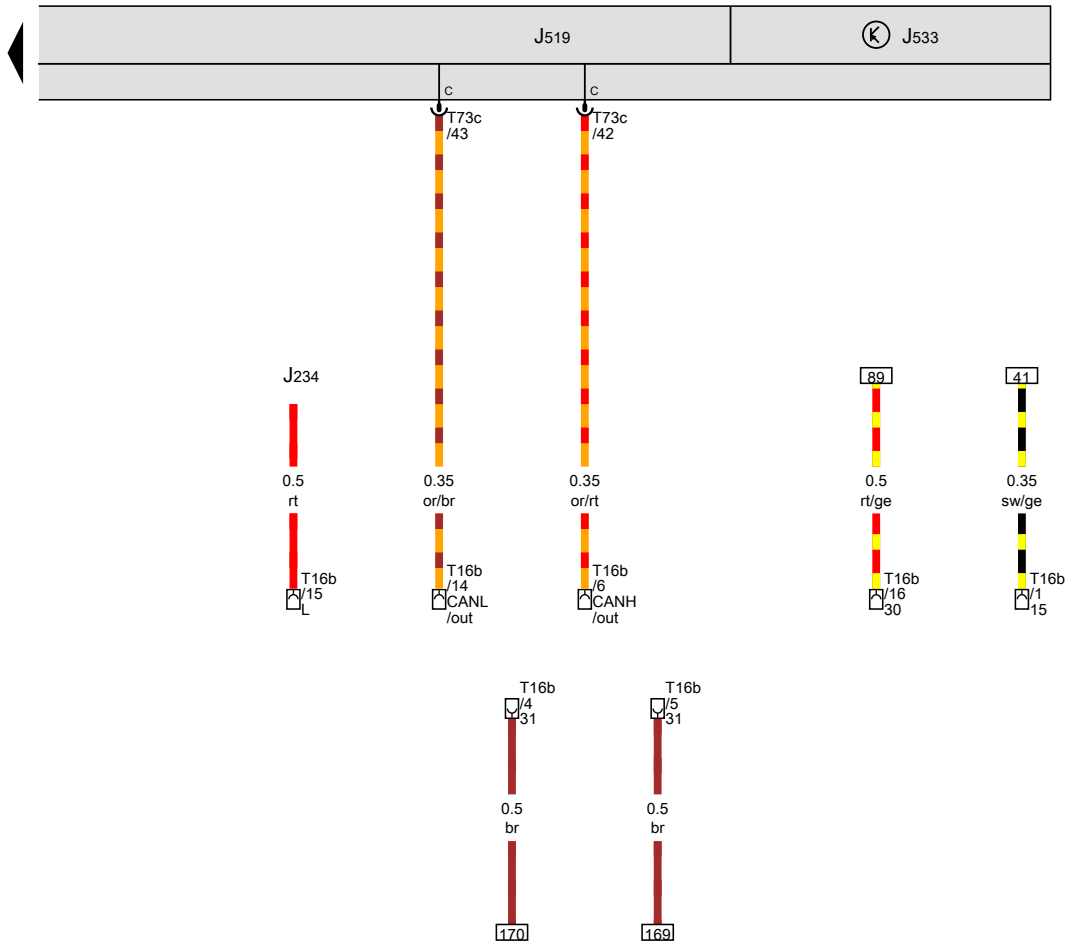


- ws = white
- sw = black
- ro = red
- rt = red
- br = brown
- gn = green
- bl = blue
- gr = grey
- li = purple
- vi = purple
- ge = yellow
- or = orange
- rs = pink

[NH0-131280516]

Data bus diagnostic interface, 16-pin connector

- J234 Airbag control unit
- J519 Onboard supply control unit
- J533 Data bus diagnostic interface
- T16b 16-pin connector, on diagnostic connection
- T73c 73-pin connector, black

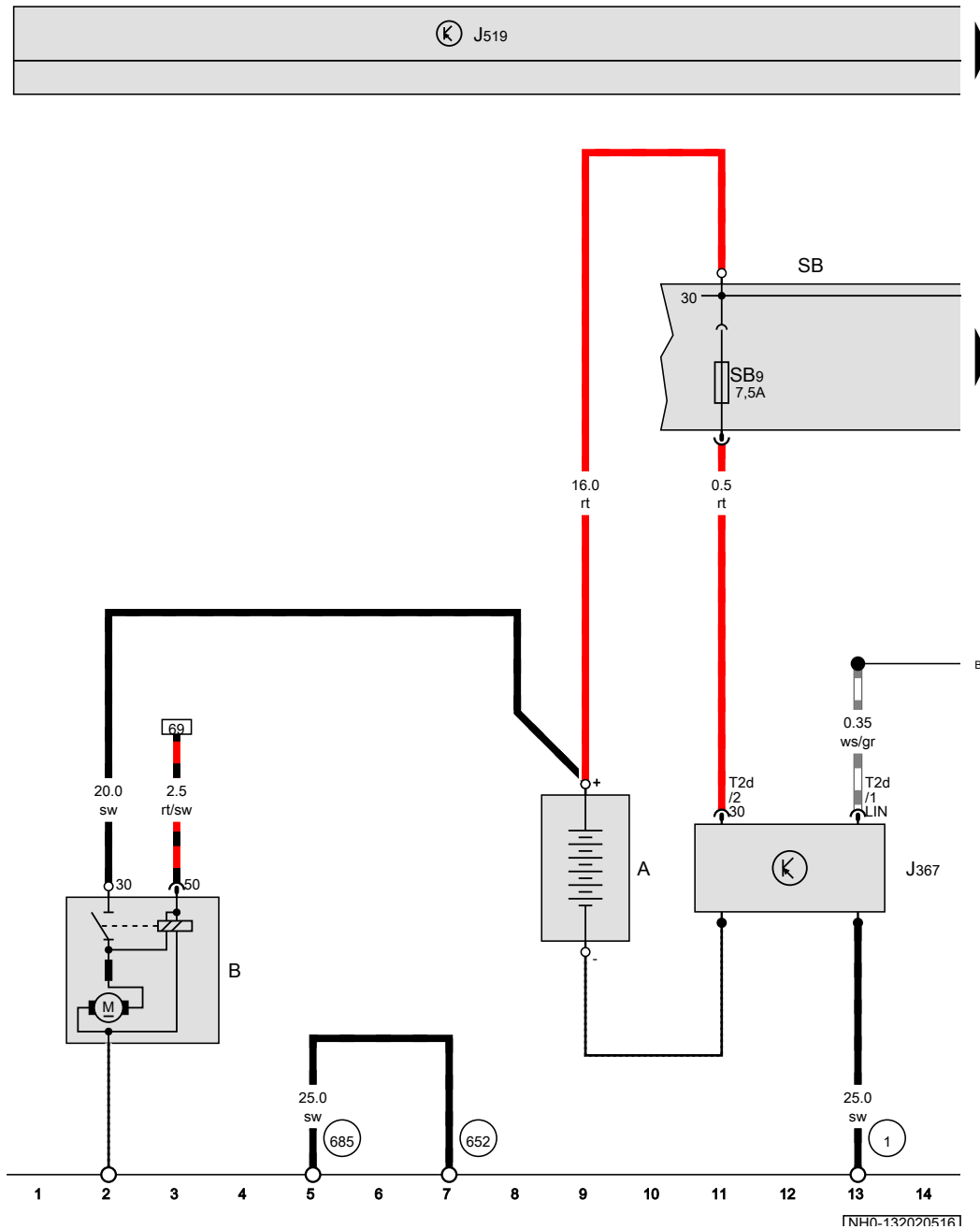


- ws = white
- sw = black
- ro = red
- rt = red
- br = brown
- gn = green
- bl = blue
- gr = grey
- li = purple
- vi = purple
- ge = yellow
- or = orange
- rs = pink

1.2l petrol engine with start/stop system , CJZC,CJZD,(7L6)

From May 2016

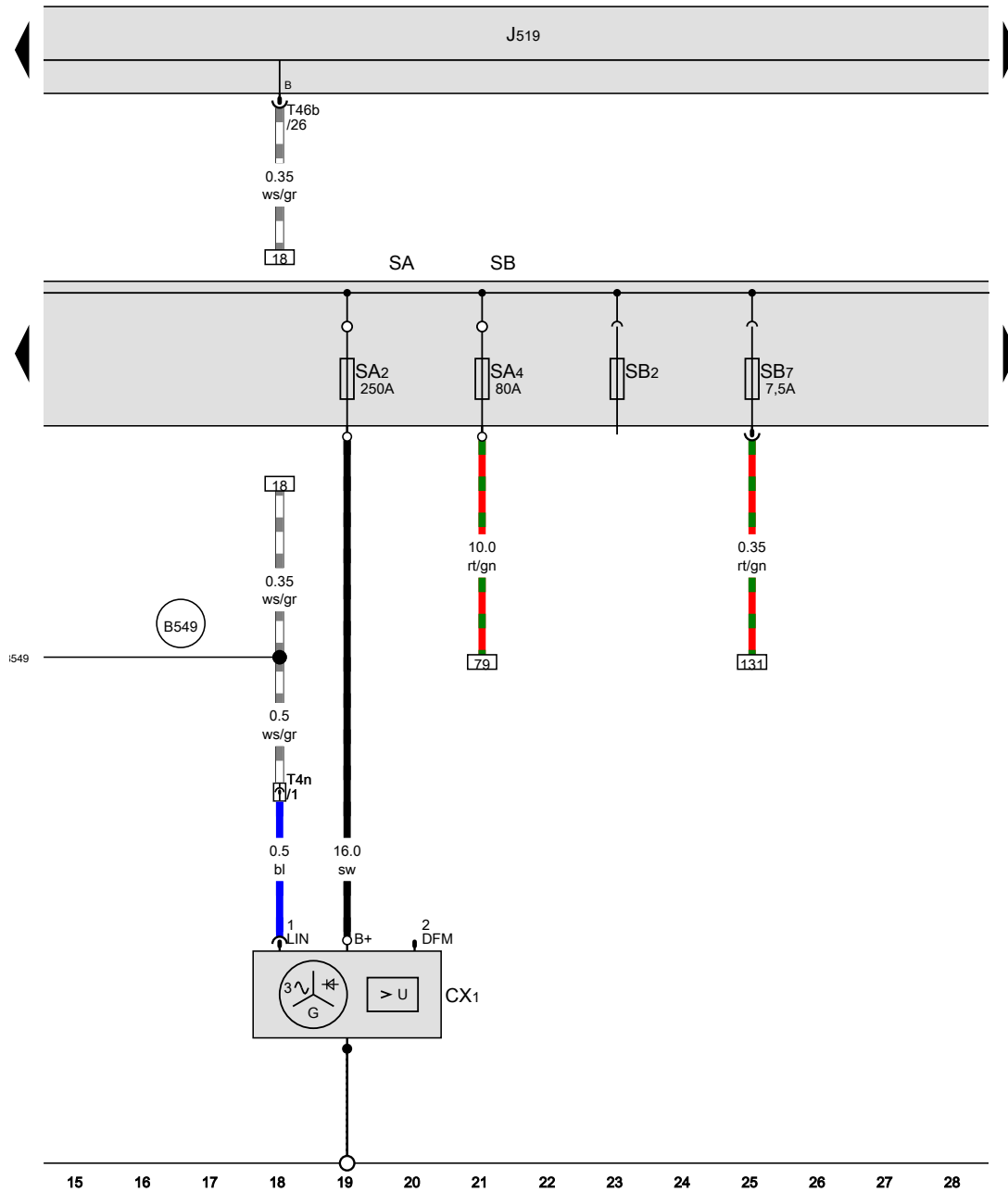
Battery, Starter, Battery monitor control unit, Fuse holder B



- A Battery
- B Starter
- J367 Battery monitor control unit
- J519 Onboard supply control unit
- SB Fuse holder B
- SB9 Fuse 9 on fuse holder B
- T2d 2-pin connector
- 1 Earth strap, battery - body
- 652 Earth point, engine and gearbox earth
- 685 Earth point 1 at front of right longitudinal member
- B549 Connection 2 (LIN bus) in main wiring harness

- ws = white
- sw = black
- ro = red
- rt = red
- br = brown
- gn = green
- bl = blue
- gr = grey
- li = purple
- vi = purple
- ge = yellow
- or = orange
- rs = pink

[NH0-132020516]



Alternator with voltage regulator, Fuse holder A, Fuse holder B

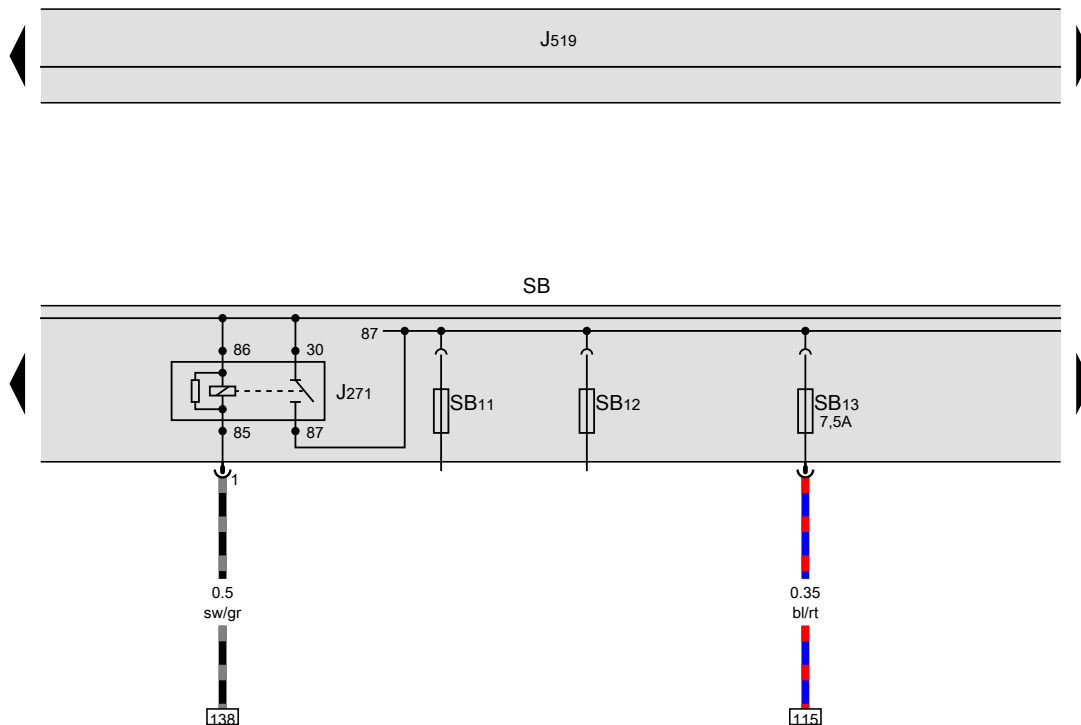
- CX1 Alternator with voltage regulator
- J519 Onboard supply control unit
- SA Fuse holder A
- SA2 Fuse 2 in fuse holder A
- SB2 Fuse 2 on fuse holder B
- SA4 Fuse 4 in fuse holder A
- SB Fuse holder B
- SB7 Fuse 7 on fuse holder B
- T4n 4-pin connector, front left in engine compartment
- T46b 46-pin connector, brown
- B549 Connection 2 (LIN bus) in main wiring harness

- ws = white
- sw = black
- ro = red
- rt = red
- br = brown
- gn = green
- bl = blue
- gr = grey
- li = purple
- vi = purple
- ge = yellow
- or = orange
- rs = pink

[NH0-132030516]

Main relay, Fuse holder B

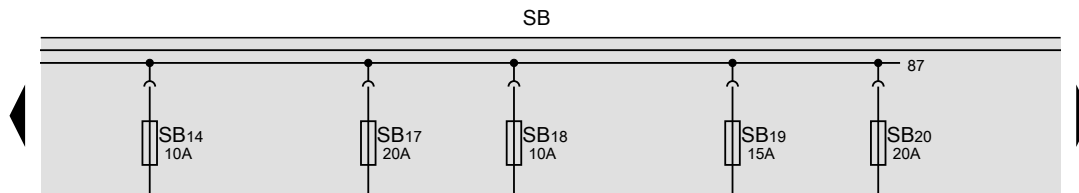
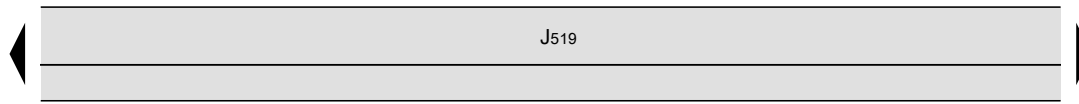
- J271 Main relay
- J519 Onboard supply control unit
- SB Fuse holder B
- SB11 Fuse 11 on fuse holder B
- SB12 Fuse 12 on fuse holder B
- SB13 Fuse 13 on fuse holder B



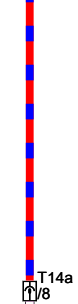
- ws = white
- sw = black
- ro = red
- rt = red
- br = brown
- gn = green
- bl = blue
- gr = grey
- li = purple
- vi = purple
- ge = yellow
- or = orange
- rs = pink

29 30 31 32 33 34 35 36 37 38 39 40 41 42

[NH0-132040516]



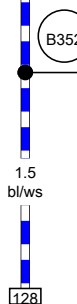
0.5
rt/bl



1.0
vi/ws



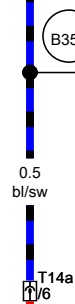
1.5
bl/ws



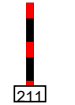
1.5
bl/ws



0.5
bl/sw



0.75
sw/rt



105

238

Fuse holder B

- J519 Onboard supply control unit
- SB Fuse holder B
- SB14 Fuse 14 on fuse holder B
- SB17 Fuse 17 on fuse holder B
- SB18 Fuse 18 on fuse holder B
- SB19 Fuse 19 on fuse holder B
- SB20 Fuse 20 on fuse holder B
- T14a 14-pin connector, front left in engine compartment

B352 Positive connection 3 (87a) in main wiring harness

B353 Positive connection 4 (87a) in main wiring harness

* Only models with extended servicing intervals (ESI)

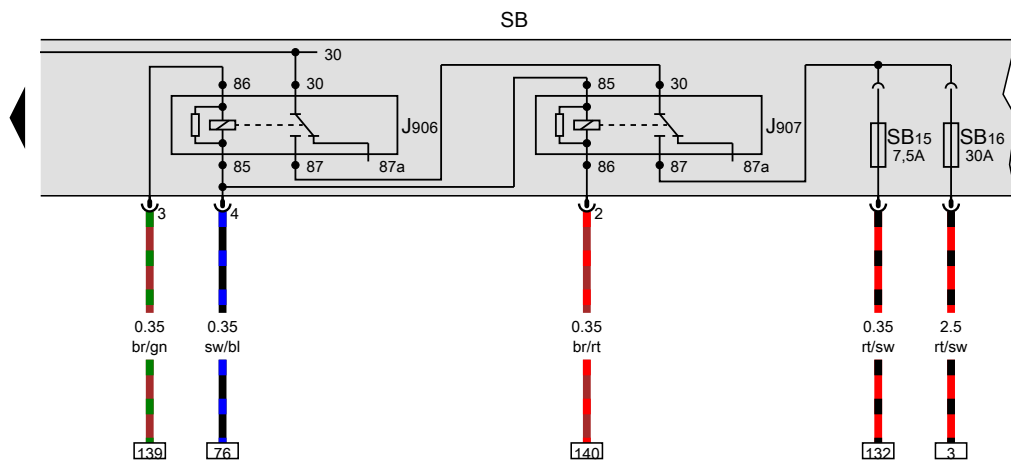
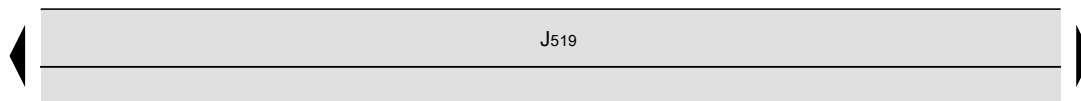
- ws = white
- sw = black
- ro = red
- rt = red
- br = brown
- gn = green
- bl = blue
- gr = grey
- li = purple
- vi = purple
- ge = yellow
- or = orange
- rs = pink

43 44 45 46 47 48 49 50 51 52 53 54 55 56

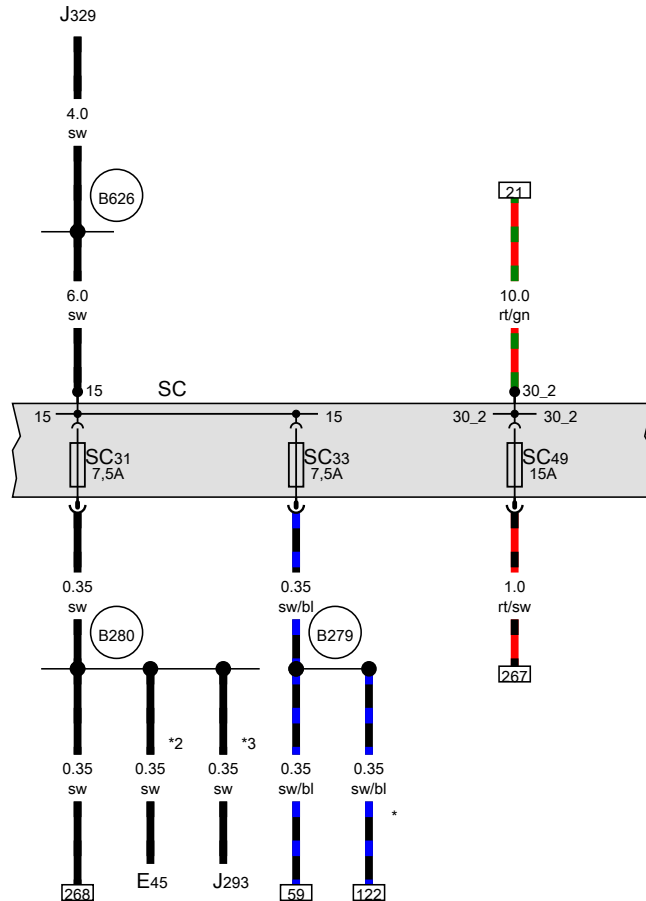
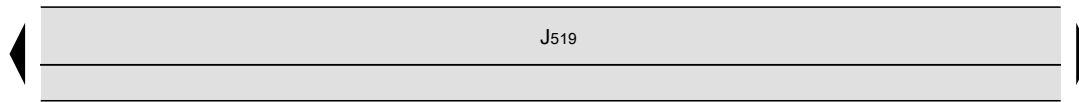
[NH0-132050516]

Starter relay 1, Starter relay 2, Fuse holder B

- J519 Onboard supply control unit
- J906 Starter relay 1
- J907 Starter relay 2
- SB Fuse holder B
- SB15 Fuse 15 on fuse holder B
- SB16 Fuse 16 on fuse holder B



- ws = white
- sw = black
- ro = red
- rt = red
- br = brown
- gn = green
- bl = blue
- gr = grey
- li = purple
- vi = purple
- ge = yellow
- or = orange
- rs = pink



Fuse holder C

- E45 Cruise control system switch
- J293 Radiator fan control unit
- J329 Terminal 15 voltage supply relay
- J519 Onboard supply control unit
- SC Fuse holder C
- SC31 Fuse 31 on fuse holder C
- SC33 Fuse 33 on fuse holder C
- SC49 Fuse 49 on fuse holder C

B279 Positive connection 3 (15a) in main wiring harness

B280 Positive connection 4 (15a) in main wiring harness

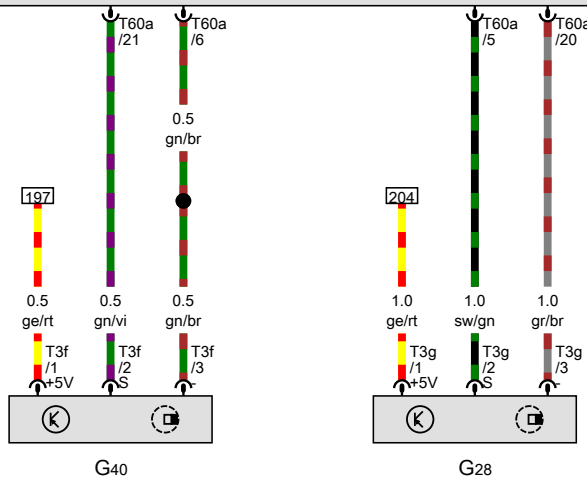
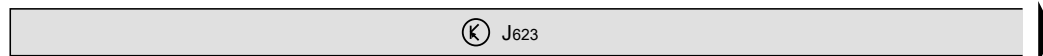
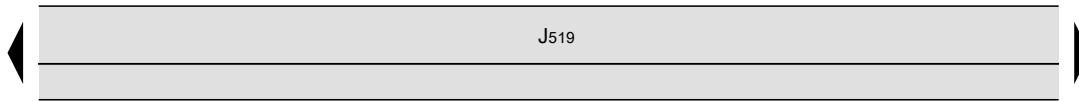
B626 Positive connection 2 (15), in main wiring harness

- * Only models with manual gearbox
- *2 Only models with cruise control system (CCS)
- *3 Only models with air conditioning system/ Climatronic

- ws = white
- sw = black
- ro = red
- rt = red
- br = brown
- gn = green
- bl = blue
- gr = grey
- li = purple
- vi = purple
- ge = yellow
- or = orange
- rs = pink

Engine speed sender, Hall sender, Engine control unit

- G28 Engine speed sender
- G40 Hall sender
- J519 Onboard supply control unit
- J623 Engine control unit
- T3f 3-pin connector
- T3g 3-pin connector
- T60a 60-pin connector



- ws = white
- sw = black
- ro = red
- rt = red
- br = brown
- gn = green
- bl = blue
- gr = grey
- li = purple
- vi = purple
- ge = yellow
- or = orange
- rs = pink

85 86 87 88 89 90 91 92 93 94 95 96 97 98

[NH0-132080516]

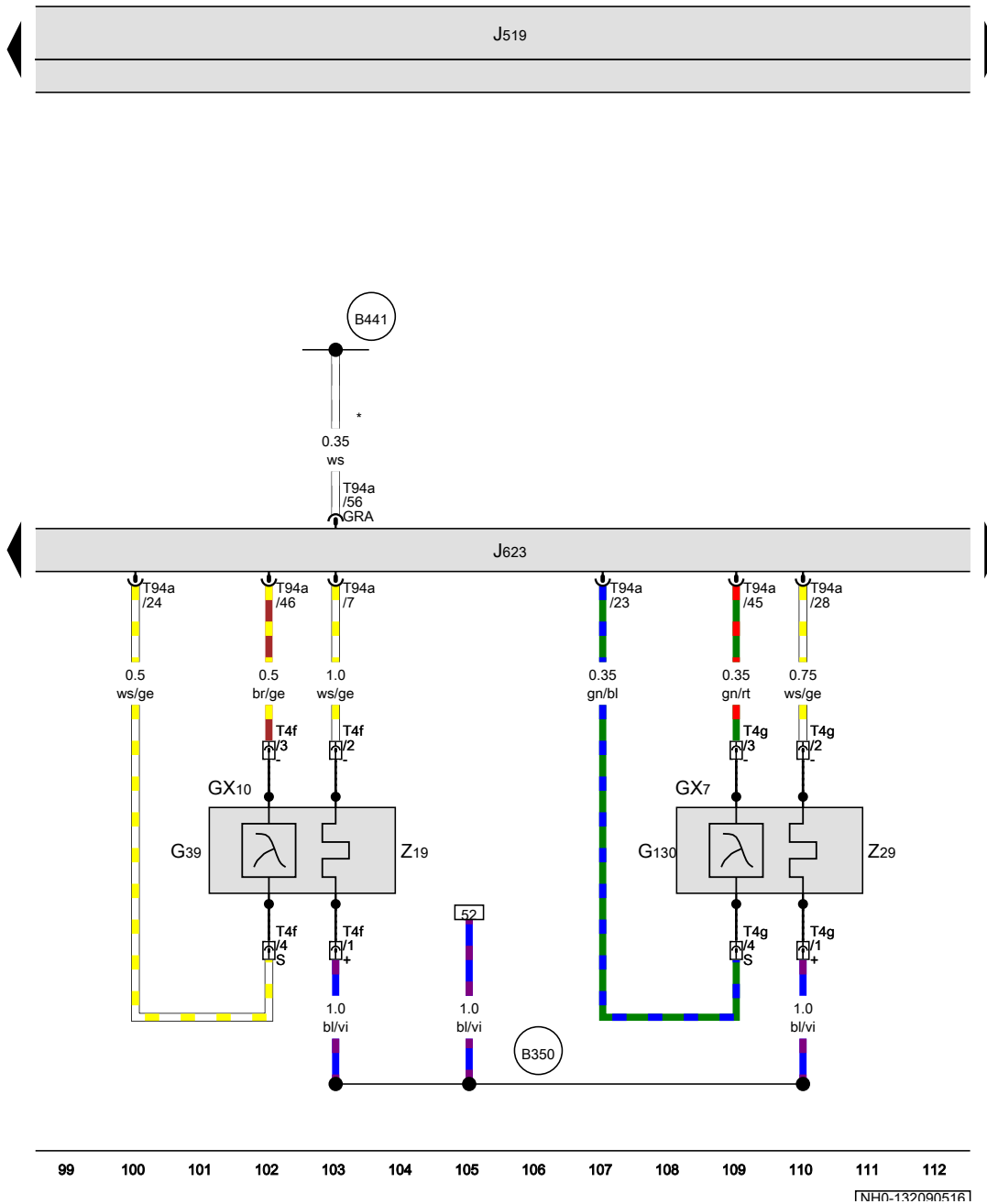
Lambda probe 1 after catalytic converter, Lambda probe 1 before catalytic converter, Engine control unit

- GX7 Lambda probe 1 after catalytic converter
- GX10 Lambda probe 1 before catalytic converter
- G39 Lambda probe
- G130 Lambda probe after catalytic converter
- J519 Onboard supply control unit
- J623 Engine control unit
- T4f 4-pin connector, brown
- T4g 4-pin connector, black
- T94a 94-pin connector
- Z19 Lambda probe heater
- Z29 Lambda probe 1 heater after catalytic converter

B350 Positive connection 1 (87a) in main wiring harness

B441 Connection (CCS), in main wiring harness

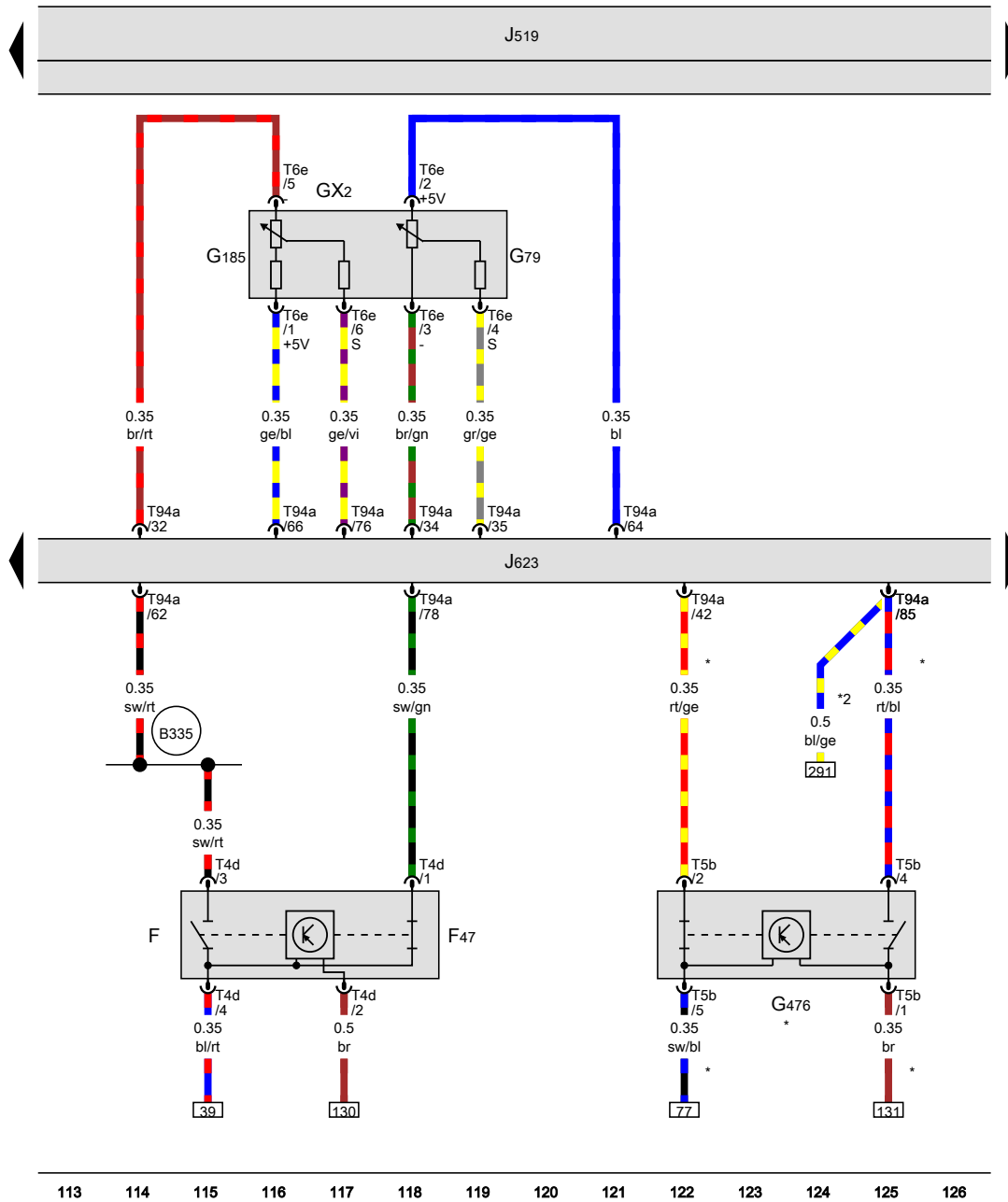
* Only models with cruise control system (CCS)



- ws = white
- sw = black
- ro = red
- rt = red
- br = brown
- gn = green
- bl = blue
- gr = grey
- li = purple
- vi = purple
- ge = yellow
- or = orange
- rs = pink

1NH0-1320905161

Brake pedal switch, Accelerator pedal module, Clutch position sender, Engine control unit



- F Brake light switch
- F47 Brake pedal switch
- GX2 Accelerator pedal module
- G79 Accelerator position sender
- G185 Accelerator position sender 2
- G476 Clutch position sender
- J519 Onboard supply control unit
- J623 Engine control unit
- T4d 4-pin connector
- T5b 5-pin connector
- T6e 6-pin connector
- T94a 94-pin connector

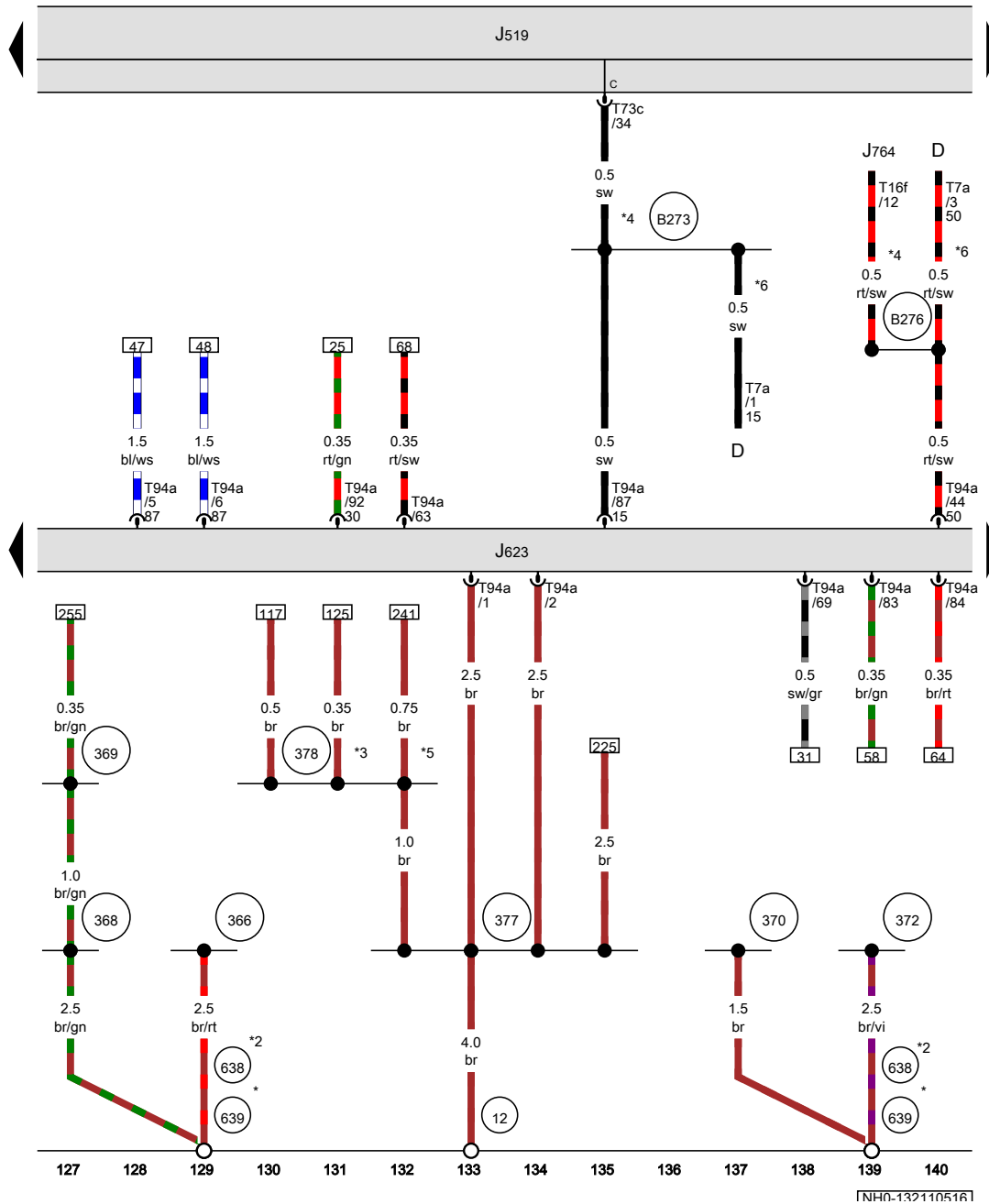
B335 Connection 1 (54), in main wiring harness

- * Only models with manual gearbox
- *2 Only models with automatic gearbox

- ws = white
- sw = black
- ro = red
- rt = red
- br = brown
- gn = green
- bl = blue
- gr = grey
- li = purple
- vi = purple
- ge = yellow
- or = orange
- rs = pink

113 114 115 116 117 118 119 120 121 122 123 124 125 126

[NH0-132100516]



[NH0-132110516]

Engine control unit

- D Ignition/starter switch
- J519 Onboard supply control unit
- J623 Engine control unit
- J764 Control unit for electronic steering column lock
- T7a 7-pin connector
- T16f 16-pin connector
- T73c 73-pin connector, black
- T94a 94-pin connector

- (12) Earth point, on left in engine compartment
- (366) Earth connection 1, in main wiring harness
- (368) Earth connection 3, in main wiring harness
- (369) Earth connection 4, in main wiring harness
- (370) Earth connection 5, in main wiring harness
- (372) Earth connection 7, in main wiring harness

- (377) Earth connection 12, in main wiring harness
- (378) Earth connection 13, in main wiring harness
- (638) Earth point, on right A-pillar

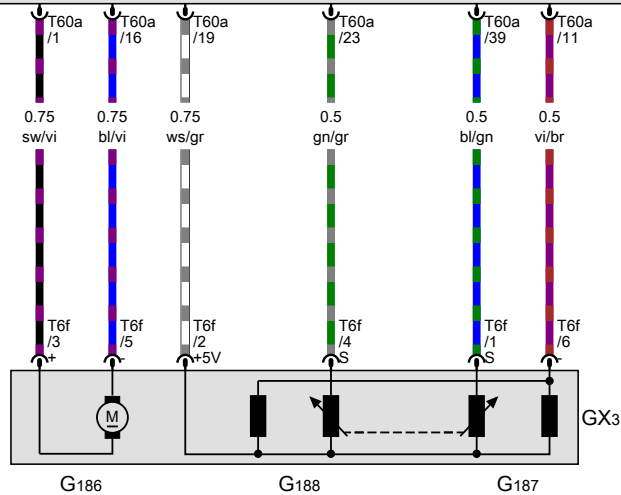
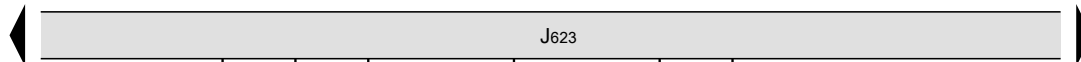
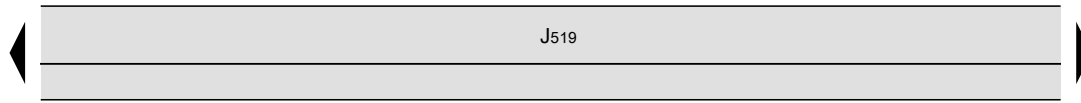
- (639) Earth point, left A-pillar
- (B273) Positive connection (15), in main wiring harness
- (B276) Positive connection (50), in main wiring harness

- ws = white
- sw = black
- ro = red
- rt = red
- br = brown
- gn = green
- bl = blue
- gr = grey
- li = purple
- vi = purple
- ge = yellow
- or = orange
- rs = pink

- * Only left-hand drive models
- *2 Only right-hand drive models
- *3 Only models with manual gearbox
- *4 Only models with entry and start authorisation
- *5 Only models with extended servicing intervals (ESI)
- *6 Only models with no entry and start authorisation

Throttle valve module, Engine control unit

- GX3 Throttle valve module
- G186 Throttle valve drive for electric throttle
- G187 Throttle valve drive angle sender 1 for electric throttle
- G188 Throttle valve drive angle sender 2 for electric throttle
- J519 Onboard supply control unit
- J623 Engine control unit
- T6f 6-pin connector
- T60a 60-pin connector



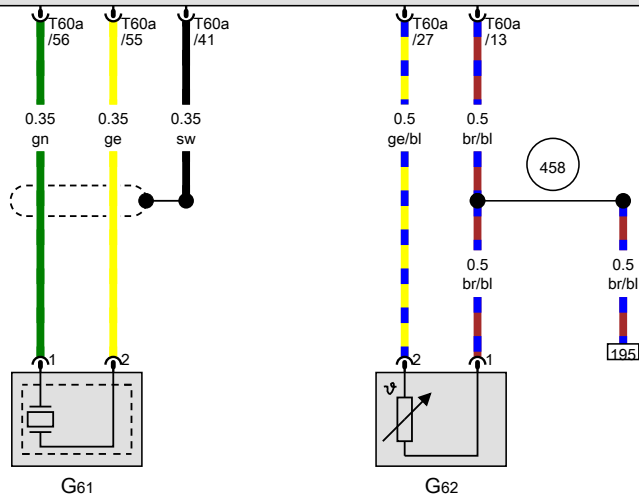
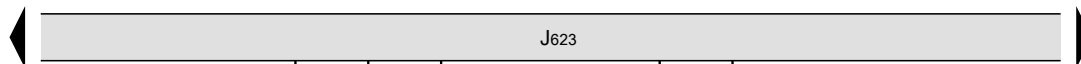
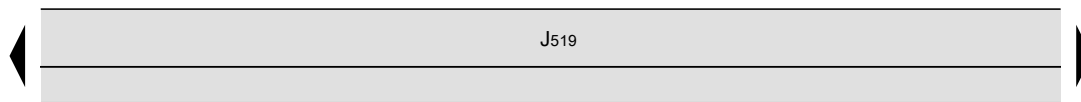
- ws = white
- sw = black
- ro = red
- rt = red
- br = brown
- gn = green
- bl = blue
- gr = grey
- li = purple
- vi = purple
- ge = yellow
- or = orange
- rs = pink

141 142 143 144 145 146 147 148 149 150 151 152 153 154

[NH0-132120516]

Knock sensor 1, Coolant temperature sender, Engine control unit

- G61 Knock sensor 1
- G62 Coolant temperature sender
- J519 Onboard supply control unit
- J623 Engine control unit
- T60a 60-pin connector
- 458 Earth point 3, engine prewiring harness



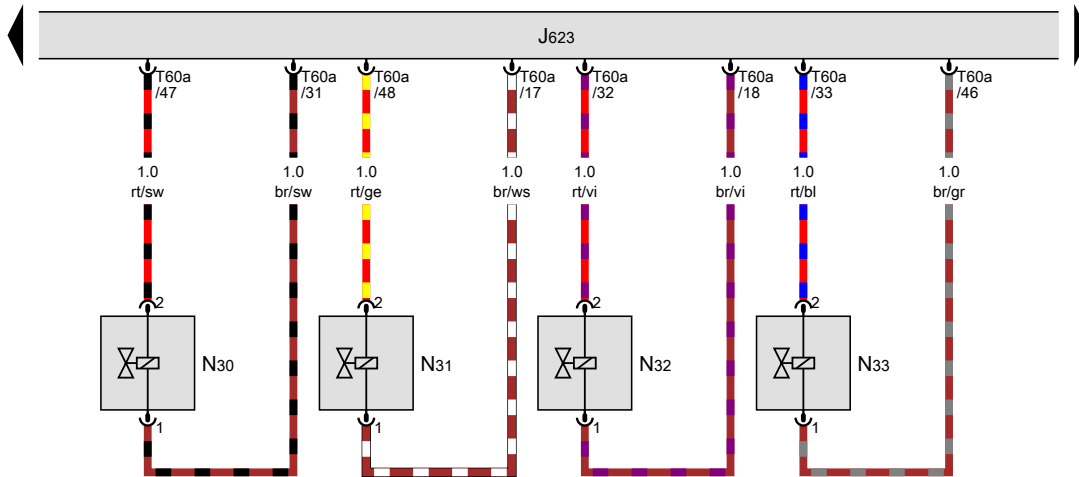
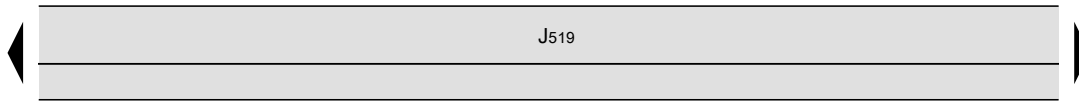
- ws = white
- sw = black
- ro = red
- rt = red
- br = brown
- gn = green
- bl = blue
- gr = grey
- li = purple
- vi = purple
- ge = yellow
- or = orange
- rs = pink

155 156 157 158 159 160 161 162 163 164 165 166 167 168

[NH0-132130516]

Engine control unit, Injector, cylinder 1, Injector, cylinder 2, Injector, cylinder 3, Injector, cylinder 4

- J519 Onboard supply control unit
- J623 Engine control unit
- N30 Injector, cylinder 1
- N31 Injector, cylinder 2
- N32 Injector, cylinder 3
- N33 Injector, cylinder 4
- T60a 60-pin connector



- ws = white
- sw = black
- ro = red
- rt = red
- br = brown
- gn = green
- bl = blue
- gr = grey
- li = purple
- vi = purple
- ge = yellow
- or = orange
- rs = pink

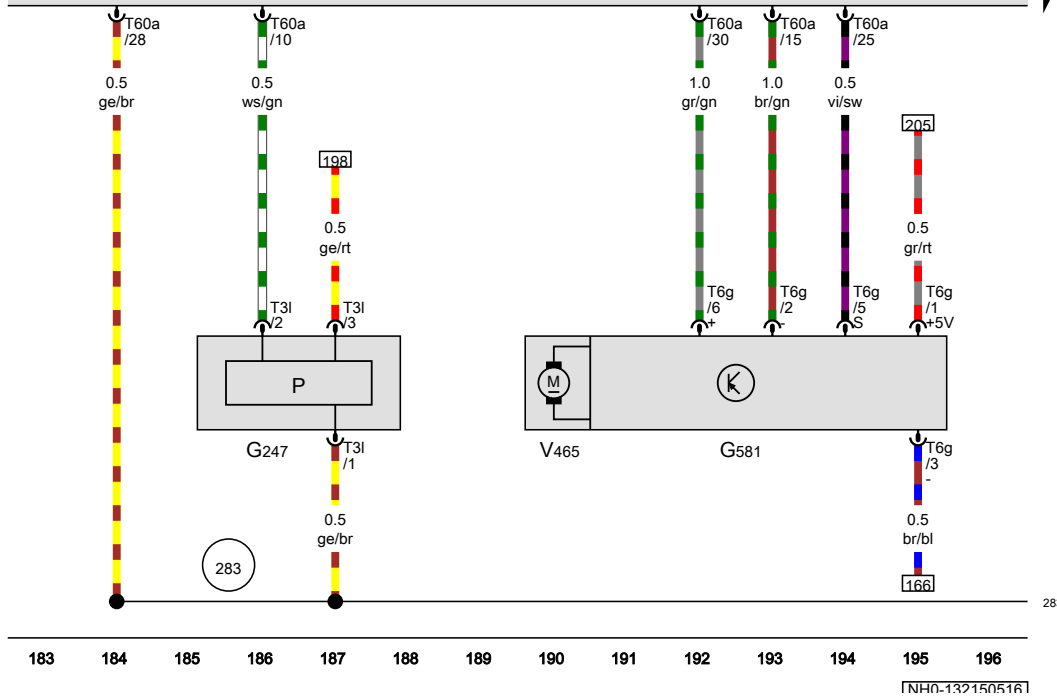
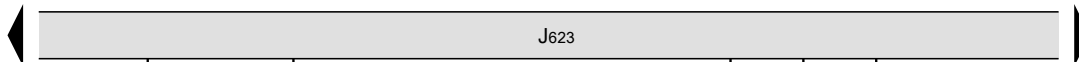
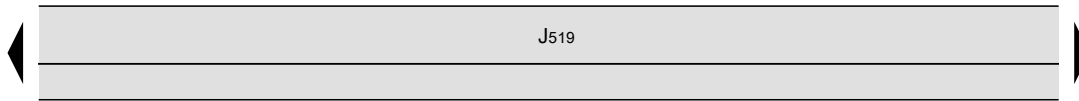
169 170 171 172 173 174 175 176 177 178 179 180 181 182

[NH0-132140516]

Fuel pressure sender, Position sender for charge pressure positioner, Engine control unit, Charge pressure positioner

- G247 Fuel pressure sender
- G581 Position sender for charge pressure positioner
- J519 Onboard supply control unit
- J623 Engine control unit
- T3I 3-pin connector
- T6g 6-pin connector
- T60a 60-pin connector
- V465 Charge pressure positioner

- 283 Earth point 2, engine prewiring harness

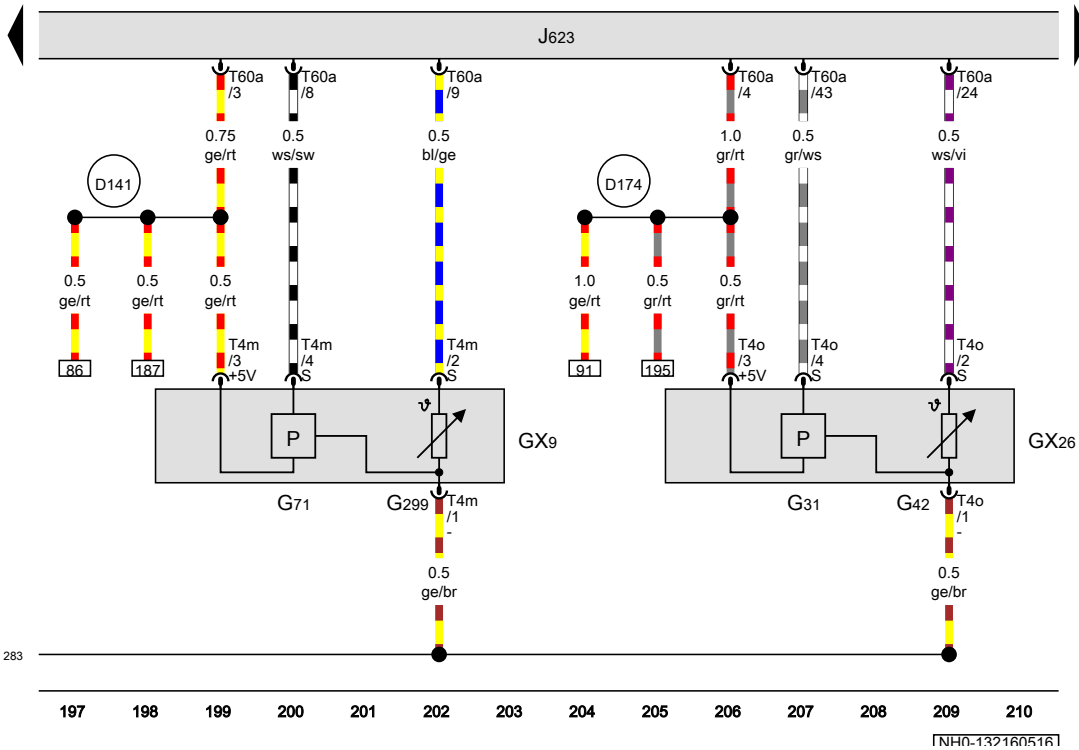
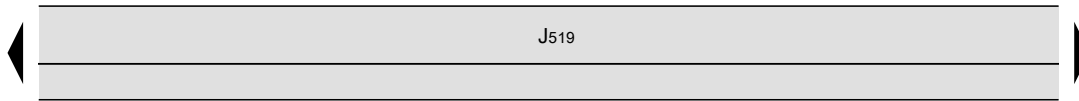


- ws = white
- sw = black
- ro = red
- rt = red
- br = brown
- gn = green
- bl = blue
- gr = grey
- li = purple
- vi = purple
- ge = yellow
- or = orange
- rs = pink

Intake manifold sender, Charge pressure sender, Engine control unit

- GX9 Intake manifold sender
- GX26 Charge pressure sender
- G31 Charge pressure sender
- G42 Intake air temperature sender
- G71 Intake manifold pressure sender
- G299 Intake air temperature sender 2
- J519 Onboard supply control unit
- J623 Engine control unit
- T4m 4-pin connector
- T4o 4-pin connector
- T60a 60-pin connector

- (283) Earth point 2, engine prewiring harness
- (D141) Connection (5V) in engine prewiring harness
- (D174) Connection 2 (5V) in engine prewiring harness



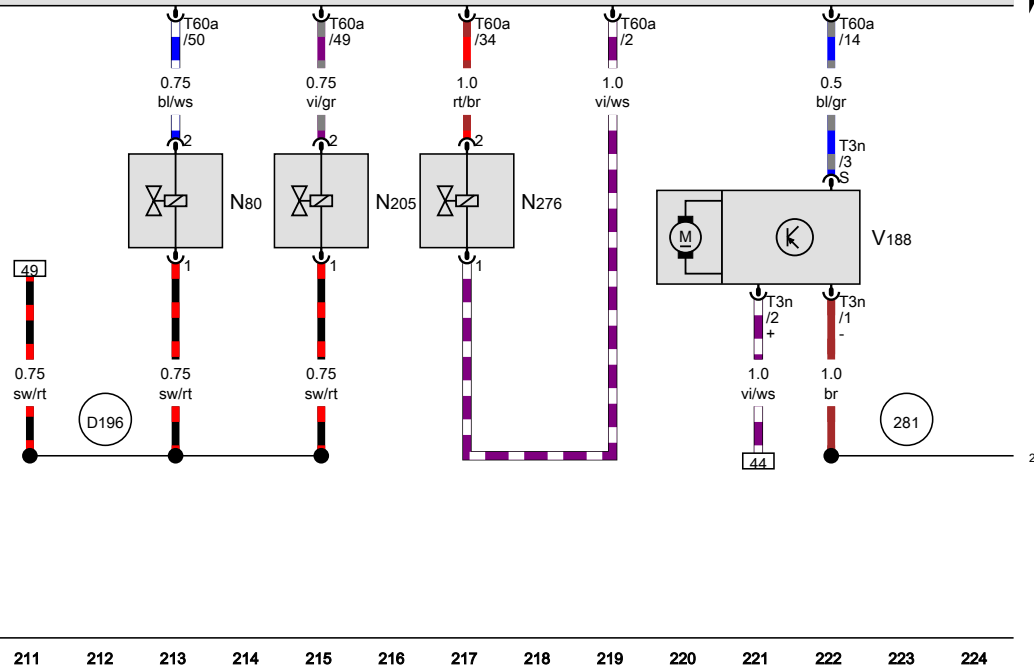
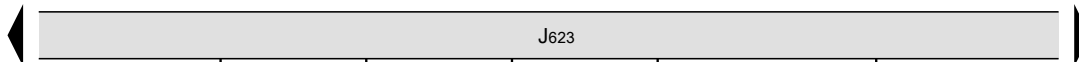
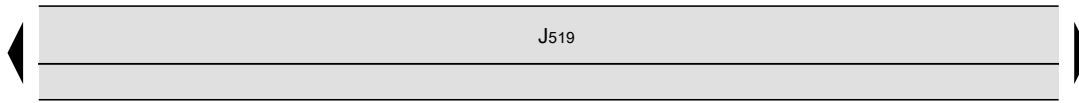
- ws = white
- sw = black
- ro = red
- rt = red
- br = brown
- gn = green
- bl = blue
- gr = grey
- li = purple
- vi = purple
- ge = yellow
- or = orange
- rs = pink

Engine control unit, Activated charcoal filter solenoid valve 1, Camshaft control valve 1, Fuel pressure regulating valve, Charge air cooling pump

- J519 Onboard supply control unit
- J623 Engine control unit
- N80 Activated charcoal filter solenoid valve 1
- N205 Camshaft control valve 1
- N276 Fuel pressure regulating valve
- T3n 3-pin connector
- T60a 60-pin connector
- V188 Charge air cooling pump

281 Earth point 1, engine prewiring harness

D196 Connection 2 (87a) in engine prewiring harness



- ws = white
- sw = black
- ro = red
- rt = red
- br = brown
- gn = green
- bl = blue
- gr = grey
- li = purple
- vi = purple
- ge = yellow
- or = orange
- rs = pink

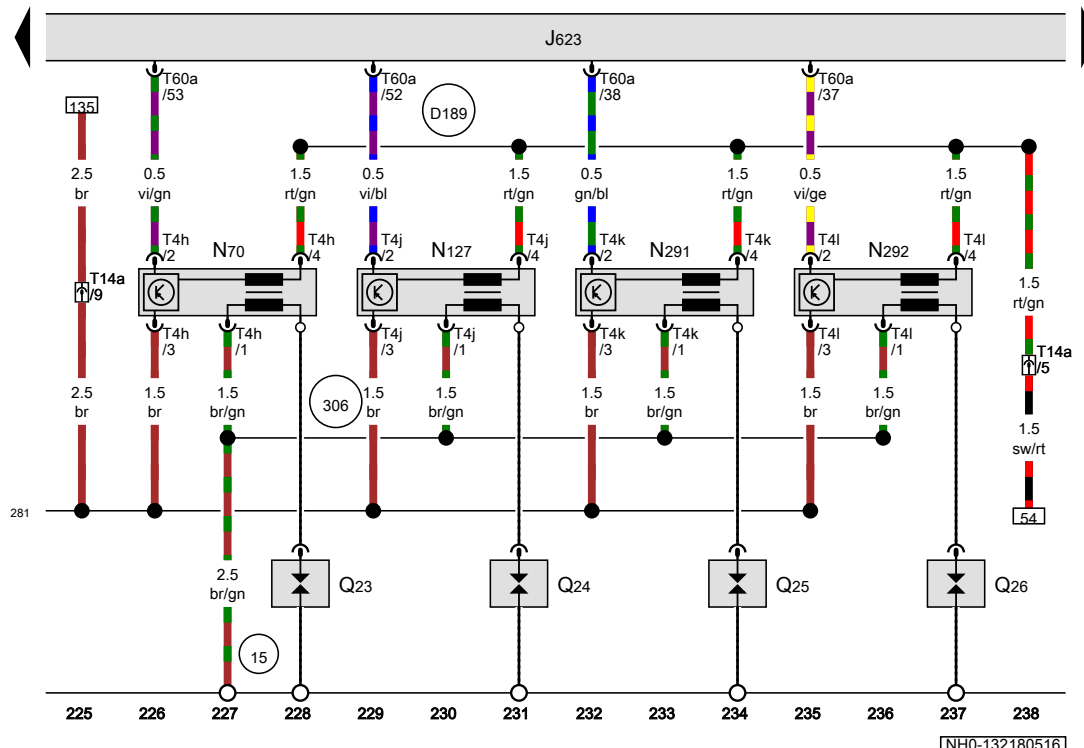
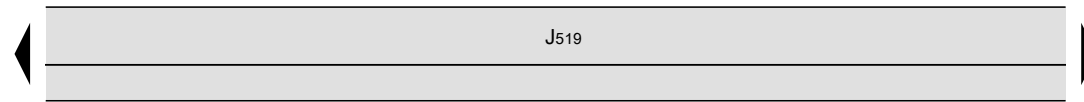
211 212 213 214 215 216 217 218 219 220 221 222 223 224

[NH0-132170516]

Engine control unit, Ignition coil 1 with output stage, Ignition coil 2 with output stage, Ignition coil 3 with output stage, Ignition coil 4 with output stage

- J519 Onboard supply control unit
- J623 Engine control unit
- N70 Ignition coil 1 with output stage
- N127 Ignition coil 2 with output stage
- N291 Ignition coil 3 with output stage
- N292 Ignition coil 4 with output stage
- Q23 Spark plug 1
- Q24 Spark plug 2
- Q25 Spark plug 3
- Q26 Spark plug 4
- T4h 4-pin connector
- T4j 4-pin connector
- T4k 4-pin connector
- T4l 4-pin connector
- T14a 14-pin connector, front left in engine compartment
- T60a 60-pin connector

- 15 Earth point, on cylinder head
- 281 Earth point 1, engine prewiring harness
- 306 Earth connection (ignition coils), in engine prewiring harness
- D189 Connection (87a) in engine prewiring harness

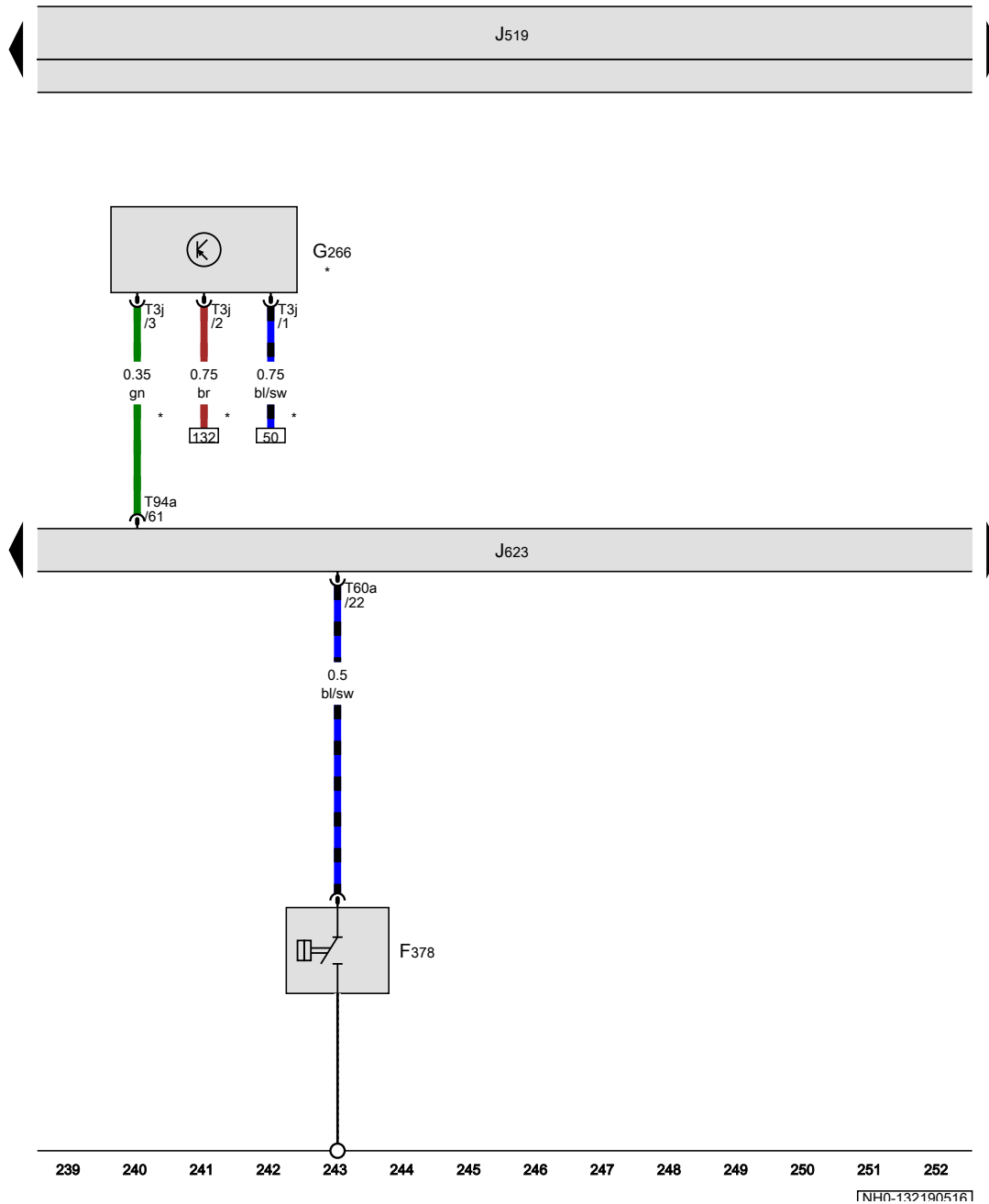


- ws = white
- sw = black
- ro = red
- rt = red
- br = brown
- gn = green
- bl = blue
- gr = grey
- li = purple
- vi = purple
- ge = yellow
- or = orange
- rs = pink

1NH0-1321805161

Oil pressure switch for reduced oil pressure, Oil level and oil temperature sender, Engine control unit

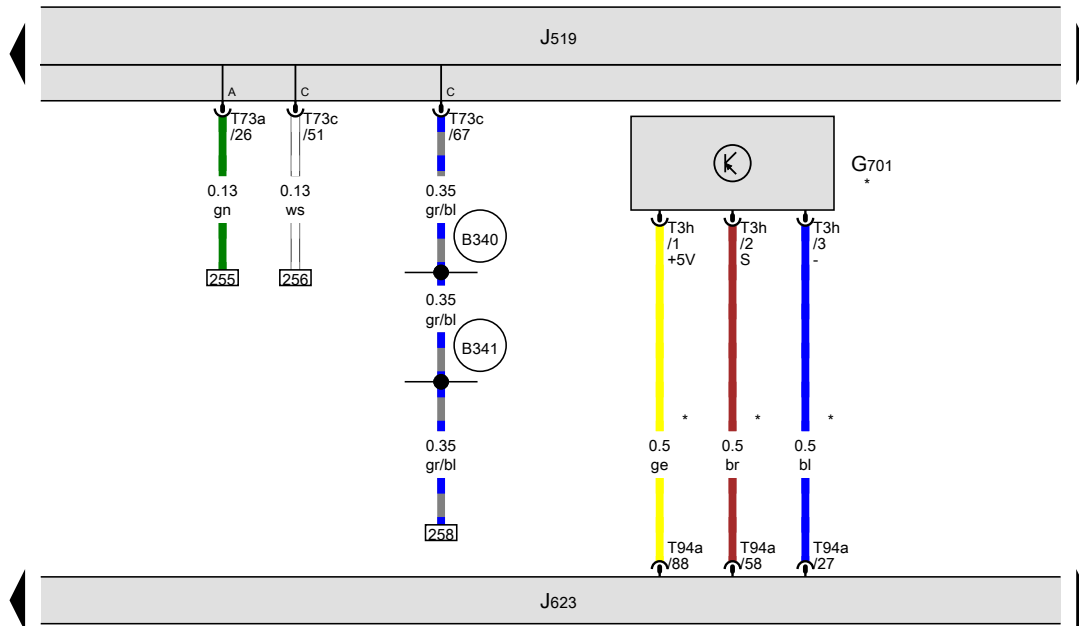
- F378 Oil pressure switch for reduced oil pressure
- G266 Oil level and oil temperature sender
- J519 Onboard supply control unit
- J623 Engine control unit
- T3j 3-pin connector
- T60a 60-pin connector
- T94a 94-pin connector
- * Only models with extended servicing intervals (ESI)



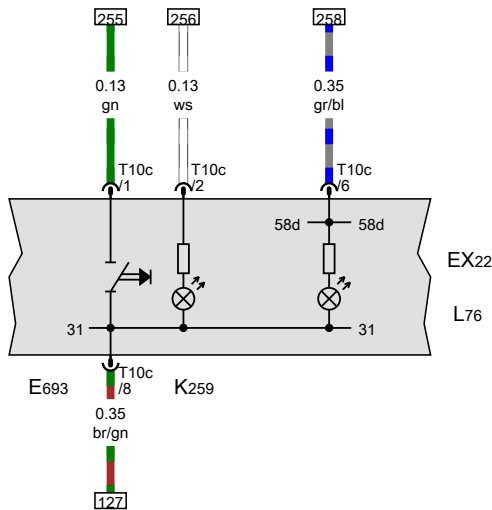
- ws = white
- sw = black
- ro = red
- rt = red
- br = brown
- gn = green
- bl = blue
- gr = grey
- li = purple
- vi = purple
- ge = yellow
- or = orange
- rs = pink

[NH0-132190516]

Centre switch module in dash panel, Start/Stop operation button, Gearbox neutral position sender, Engine control unit



- EX22 Centre switch module in dash panel
- E693 Start/Stop operation button
- G701 Gearbox neutral position sender
- J519 Onboard supply control unit
- J623 Engine control unit
- K259 Start/Stop operation warning lamp
- L76 Button illumination bulb
- T3h 3-pin connector
- T10c 10-pin connector, black
- T73a 73-pin connector, black
- T73c 73-pin connector, black
- T94a 94-pin connector
- B340 Connection 1 (58d), in main wiring harness
- B341 Connection 2 (58d), in main wiring harness
- * Only models with manual gearbox



- ws = white
- sw = black
- ro = red
- rt = red
- br = brown
- gn = green
- bl = blue
- gr = grey
- li = purple
- vi = purple
- ge = yellow
- or = orange
- rs = pink

253 254 255 256 257 258 259 260 261 262 263 264 265 266

[NH0-132200516]

Fuel delivery unit, Fuel pump control unit, Engine control unit

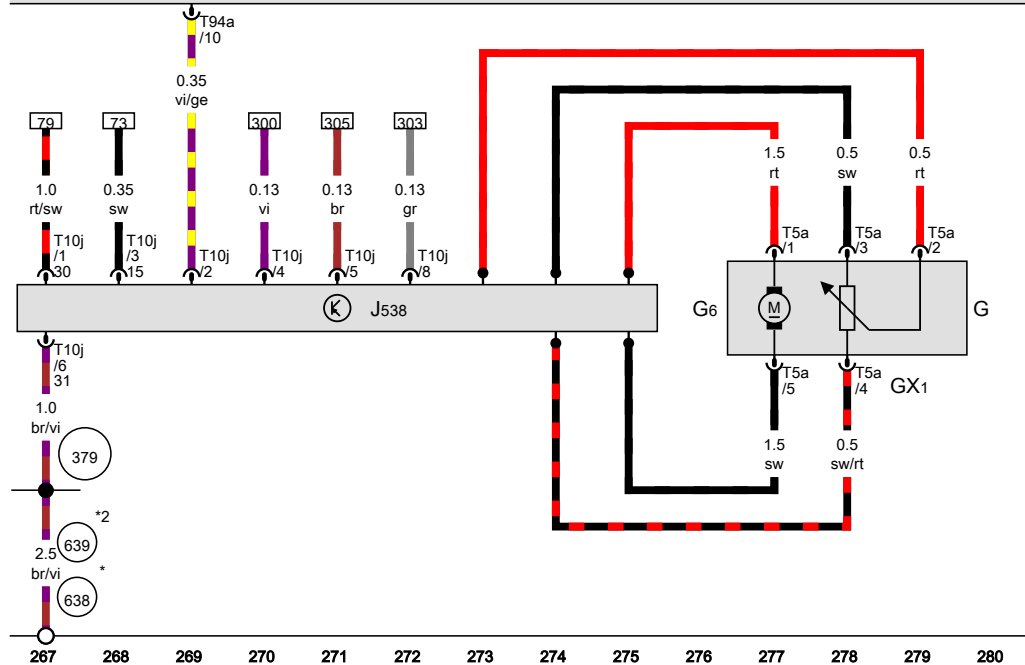
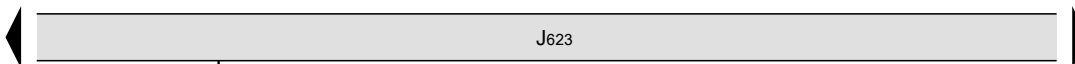
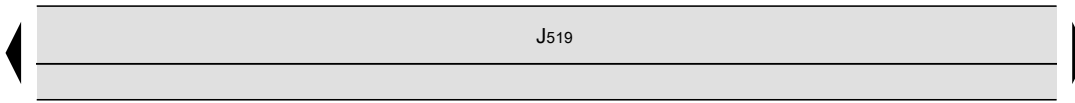
- G Fuel gauge sender
- GX1 Fuel delivery unit
- G6 Fuel system pressurisation pump
- J519 Onboard supply control unit
- J538 Fuel pump control unit
- J623 Engine control unit
- T5a 5-pin connector
- T10j 10-pin connector
- T94a 94-pin connector

379 Earth connection 14, in main wiring harness

638 Earth point, on right A-pillar

639 Earth point, left A-pillar

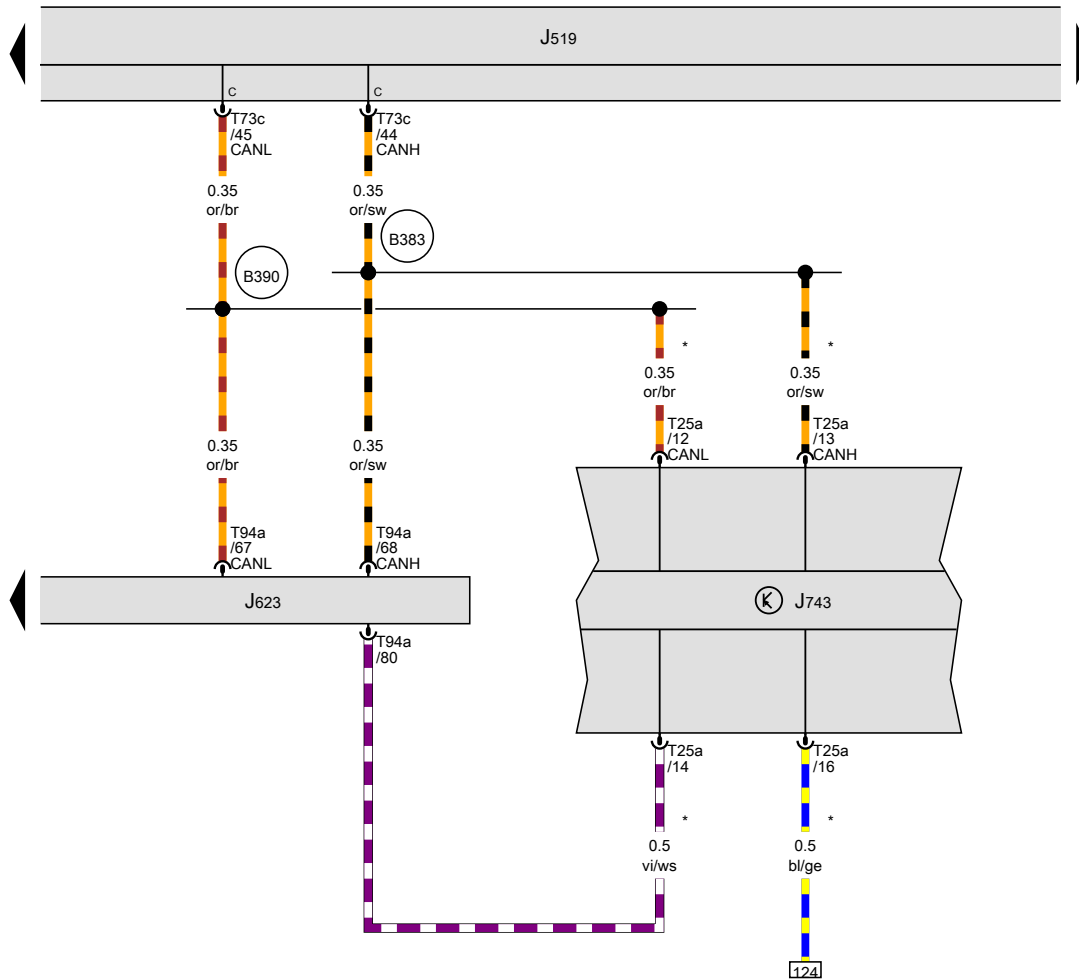
- * Only left-hand drive models
- *2 Only right-hand drive models



- ws = white
- sw = black
- ro = red
- rt = red
- br = brown
- gn = green
- bl = blue
- gr = grey
- li = purple
- vi = purple
- ge = yellow
- or = orange
- rs = pink

[NH0-132210516]

Engine control unit, Mechatronic unit for dual clutch gearbox

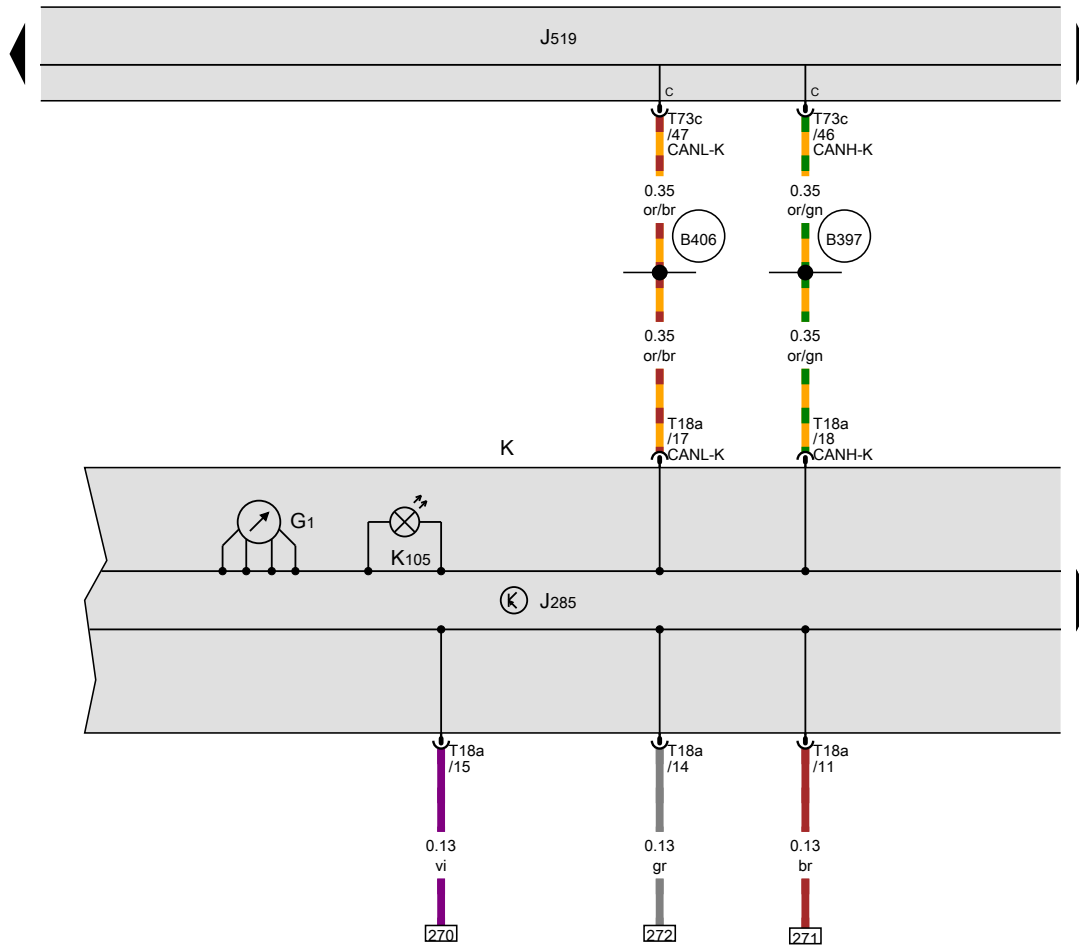


- J519 Onboard supply control unit
- J623 Engine control unit
- J743 Mechatronic unit for dual clutch gearbox
- T25a 25-pin connector
- T73c 73-pin connector, black
- T94a 94-pin connector
- B383 Connection 1 (powertrain CAN bus, high), in main wiring harness
- B390 Connection 1 (powertrain CAN bus, low), in main wiring harness
- * Only models with automatic gearbox

- ws = white
- sw = black
- ro = red
- rt = red
- br = brown
- gn = green
- bl = blue
- gr = grey
- li = purple
- vi = purple
- ge = yellow
- or = orange
- rs = pink

Fuel gauge, Dash panel insert

- G1 Fuel gauge
- J285 Control unit in dash panel insert
- J519 Onboard supply control unit
- K Dash panel insert
- K105 Reserve fuel warning lamp
- T18a 18-pin connector
- T73c 73-pin connector, black
- B397** Connection 1 (convenience CAN bus, high), in main wiring harness
- B406** Connection 1 (convenience CAN bus, low), in main wiring harness



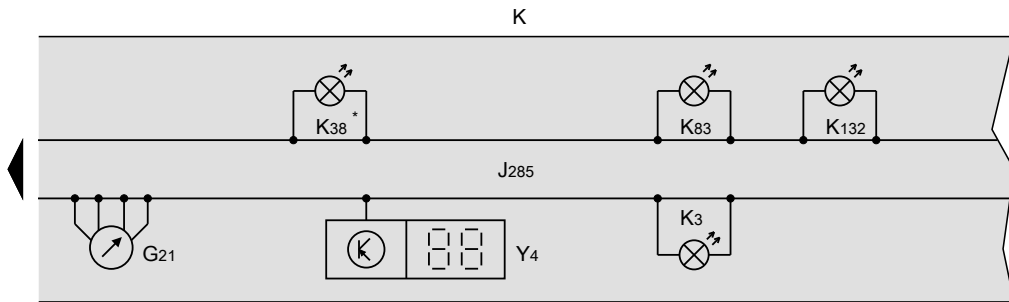
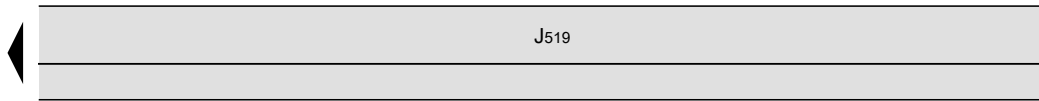
- ws = white
- sw = black
- ro = red
- rt = red
- br = brown
- gn = green
- bl = blue
- gr = grey
- li = purple
- vi = purple
- ge = yellow
- or = orange
- rs = pink

295 296 297 298 299 300 301 302 303 304 305 306 307 308

[NH0-132230516]

Speedometer, Dash panel insert, Trip counter

- G21 Speedometer
- J285 Control unit in dash panel insert
- J519 Onboard supply control unit
- K Dash panel insert
- K3 Oil pressure warning lamp
- K38 Oil level warning lamp
- K83 Exhaust emissions warning lamp
- K132 Electronic power control fault lamp
- Y4 Trip counter
- * Only models with extended servicing intervals (ESI)



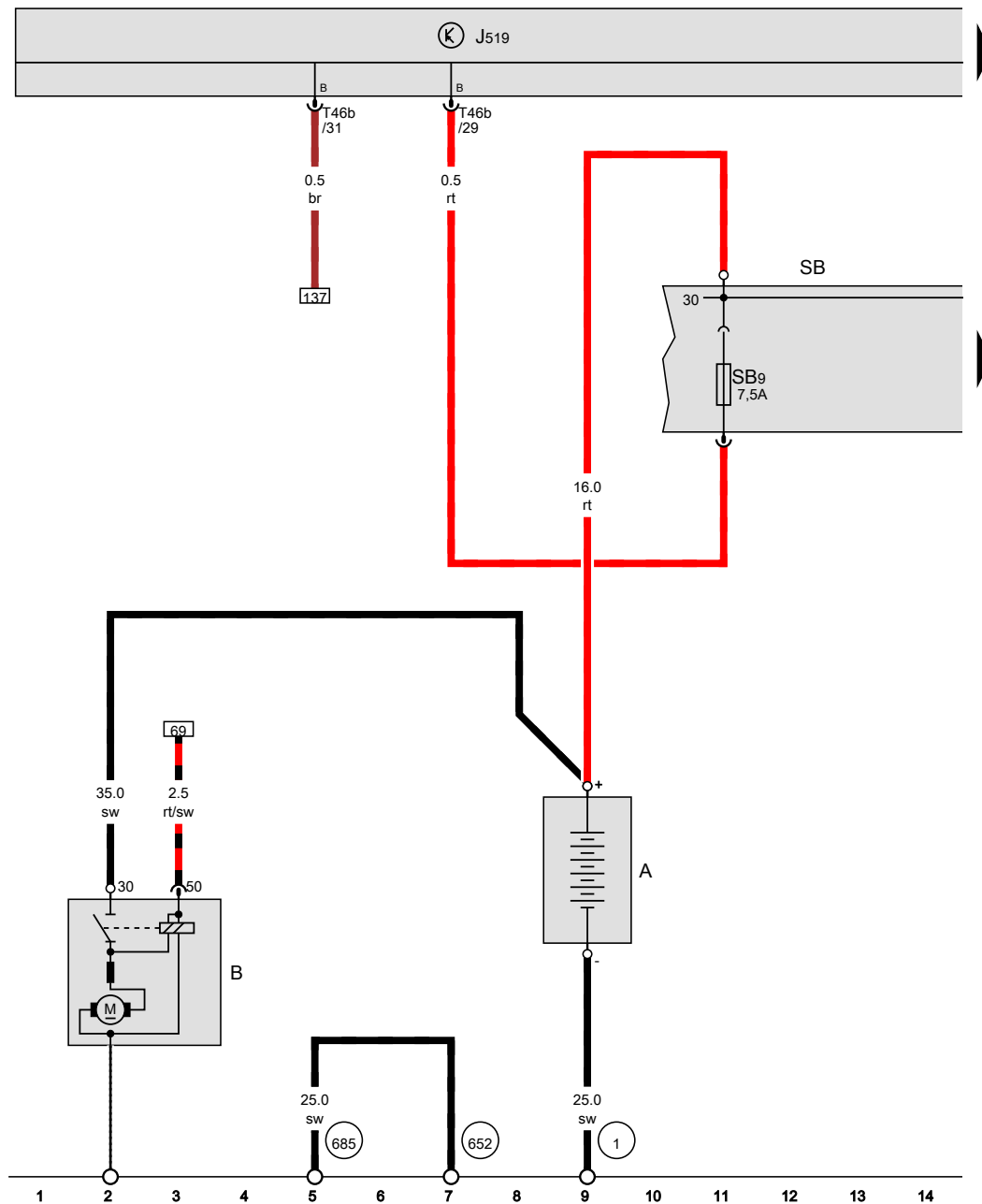
- ws = white
- sw = black
- ro = red
- rt = red
- br = brown
- gn = green
- bl = blue
- gr = grey
- li = purple
- vi = purple
- ge = yellow
- or = orange
- rs = pink

309 310 311 312 313 314 315 316 317 318 319 320 321 322

[NH0-132240516]

1.4l petrol engine , CZCA,(7L3)

From May 2016

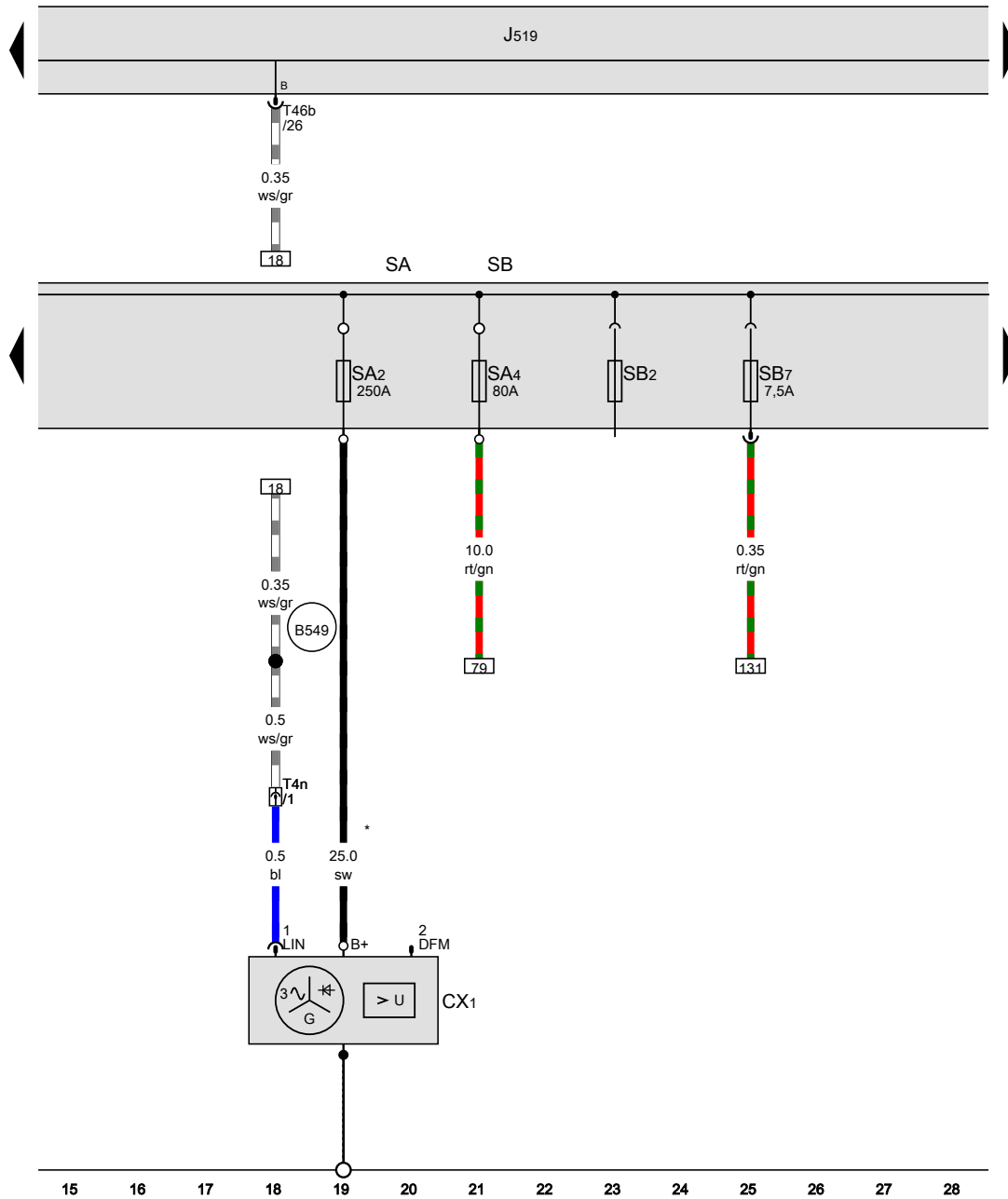


Battery, Starter, Fuse holder B

- A Battery
- B Starter
- J519 Onboard supply control unit
- SB Fuse holder B
- SB9 Fuse 9 on fuse holder B
- T46b 46-pin connector, brown
- 1 Earth strap, battery - body
- 652 Earth point, engine and gearbox earth
- 685 Earth point 1 at front of right longitudinal member

- ws = white
- sw = black
- ro = red
- rt = red
- br = brown
- gn = green
- bl = blue
- gr = grey
- li = purple
- vi = purple
- ge = yellow
- or = orange
- rs = pink

[NH0-133020516]



Alternator with voltage regulator, Fuse holder A, Fuse holder B

- CX1 Alternator with voltage regulator
- J519 Onboard supply control unit
- SA Fuse holder A
- SA2 Fuse 2 in fuse holder A
- SB2 Fuse 2 on fuse holder B
- SA4 Fuse 4 in fuse holder A
- SB Fuse holder B
- SB7 Fuse 7 on fuse holder B
- T4n 4-pin connector, front left in engine compartment
- T46b 46-pin connector, brown

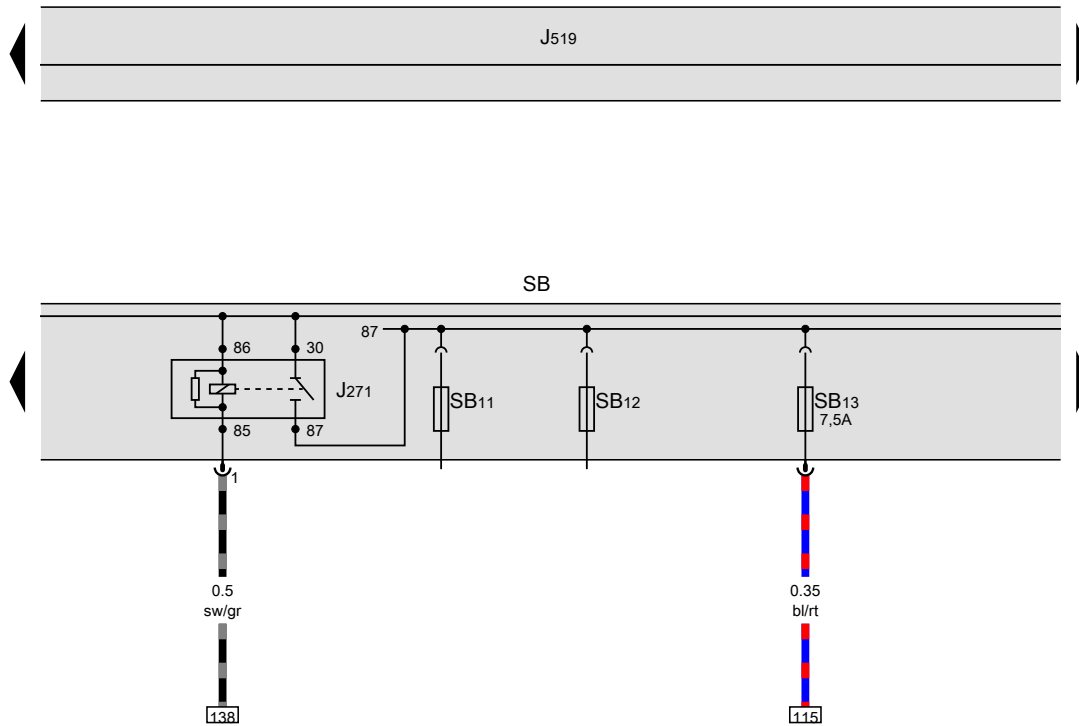
B549 Connection 2 (LIN bus) in main wiring harness

* Cross-section 16.0 possible

- ws = white
- sw = black
- ro = red
- rt = red
- br = brown
- gn = green
- bl = blue
- gr = grey
- li = purple
- vi = purple
- ge = yellow
- or = orange
- rs = pink

Main relay, Fuse holder B

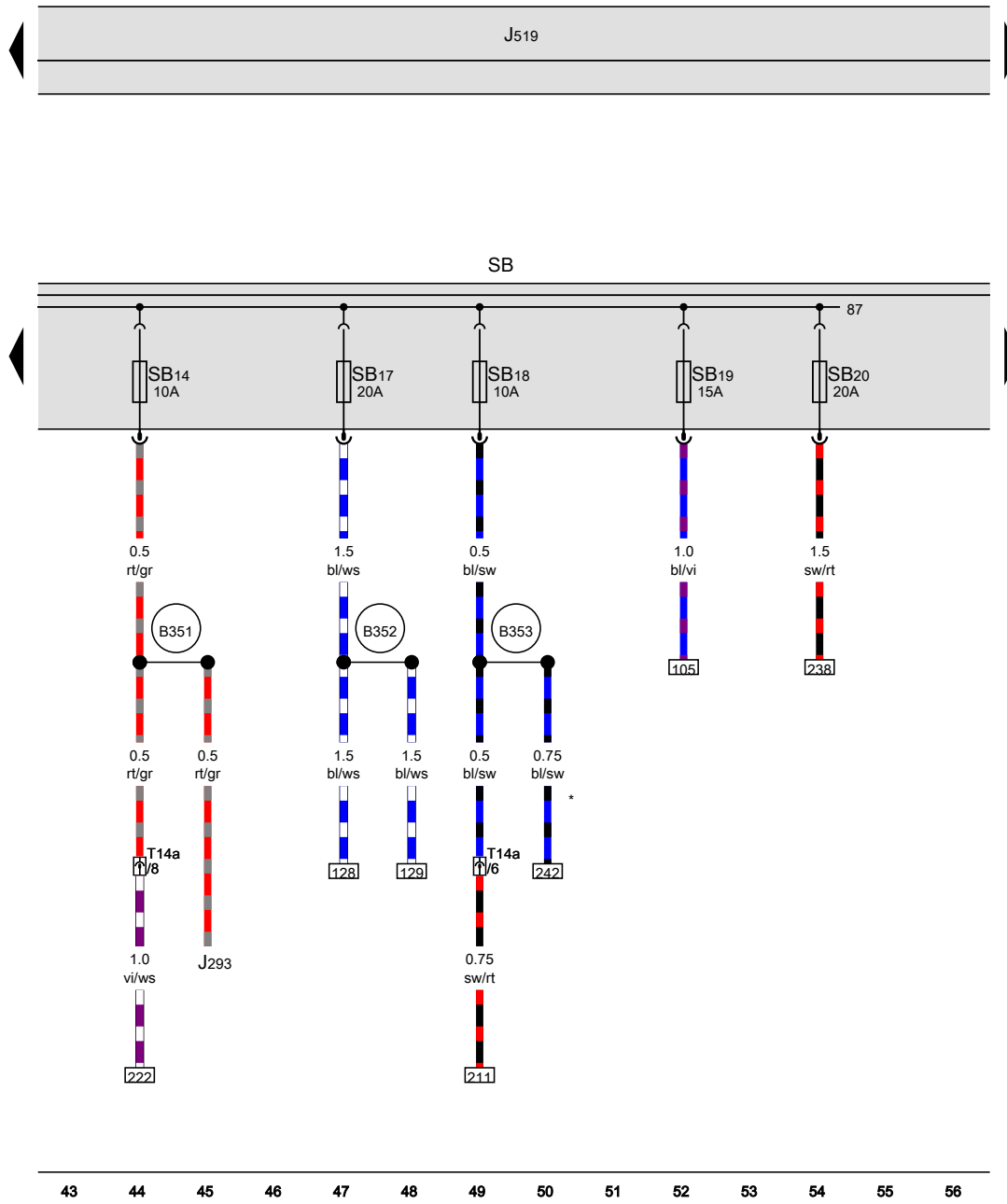
- J271 Main relay
- J519 Onboard supply control unit
- SB Fuse holder B
- SB11 Fuse 11 on fuse holder B
- SB12 Fuse 12 on fuse holder B
- SB13 Fuse 13 on fuse holder B



- ws = white
- sw = black
- ro = red
- rt = red
- br = brown
- gn = green
- bl = blue
- gr = grey
- li = purple
- vi = purple
- ge = yellow
- or = orange
- rs = pink

29 30 31 32 33 34 35 36 37 38 39 40 41 42

[NH0-133040516]



Fuse holder B

- J293 Radiator fan control unit
- J519 Onboard supply control unit
- SB Fuse holder B
- SB14 Fuse 14 on fuse holder B
- SB17 Fuse 17 on fuse holder B
- SB18 Fuse 18 on fuse holder B
- SB19 Fuse 19 on fuse holder B
- SB20 Fuse 20 on fuse holder B
- T14a 14-pin connector, front left in engine compartment

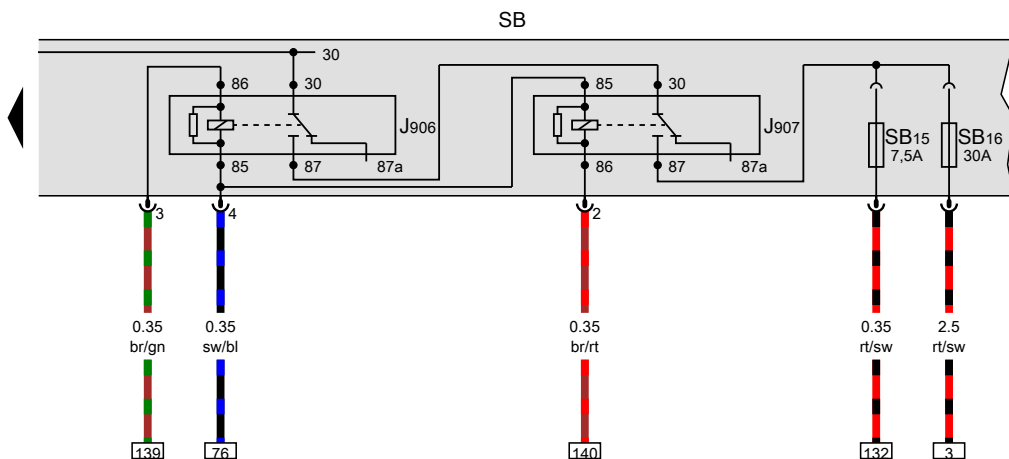
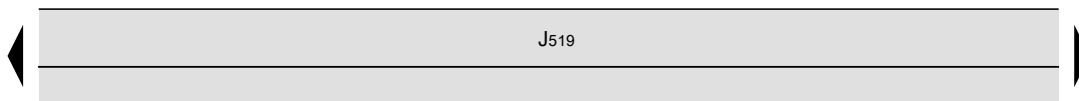
- B351 Positive connection 2 (87a) in main wiring harness
- B352 Positive connection 3 (87a) in main wiring harness
- B353 Positive connection 4 (87a) in main wiring harness
- * Only models with extended servicing intervals (ESI)

- ws = white
- sw = black
- ro = red
- rt = red
- br = brown
- gn = green
- bl = blue
- gr = grey
- li = purple
- vi = purple
- ge = yellow
- or = orange
- rs = pink

[NH0-133050516]

Starter relay 1, Starter relay 2, Fuse holder B

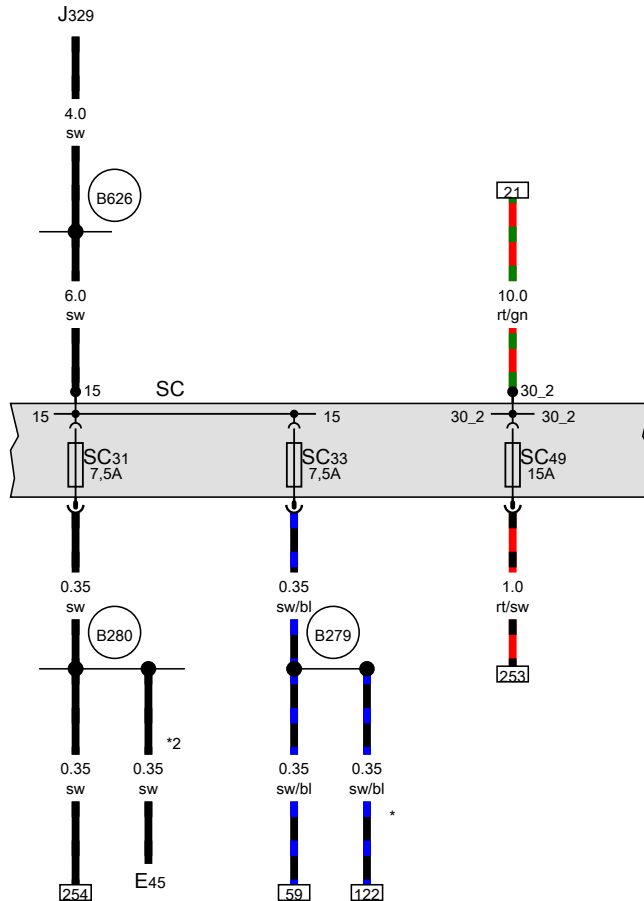
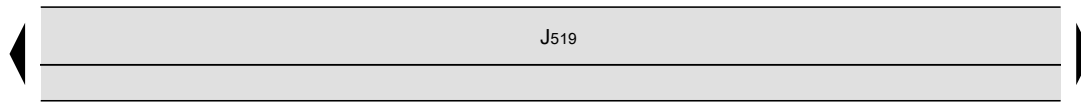
- J519 Onboard supply control unit
- J906 Starter relay 1
- J907 Starter relay 2
- SB Fuse holder B
- SB15 Fuse 15 on fuse holder B
- SB16 Fuse 16 on fuse holder B



- ws = white
- sw = black
- ro = red
- rt = red
- br = brown
- gn = green
- bl = blue
- gr = grey
- li = purple
- vi = purple
- ge = yellow
- or = orange
- rs = pink

57 58 59 60 61 62 63 64 65 66 67 68 69 70

[NH0-133060516]



Fuse holder C

- E45 Cruise control system switch
- J329 Terminal 15 voltage supply relay
- J519 Onboard supply control unit
- SC Fuse holder C
- SC31 Fuse 31 on fuse holder C
- SC33 Fuse 33 on fuse holder C
- SC49 Fuse 49 on fuse holder C

- B279 Positive connection 3 (15a) in main wiring harness
- B280 Positive connection 4 (15a) in main wiring harness
- B626 Positive connection 2 (15), in main wiring harness

- * Only models with manual gearbox
- *2 Only models with cruise control system (CCS)

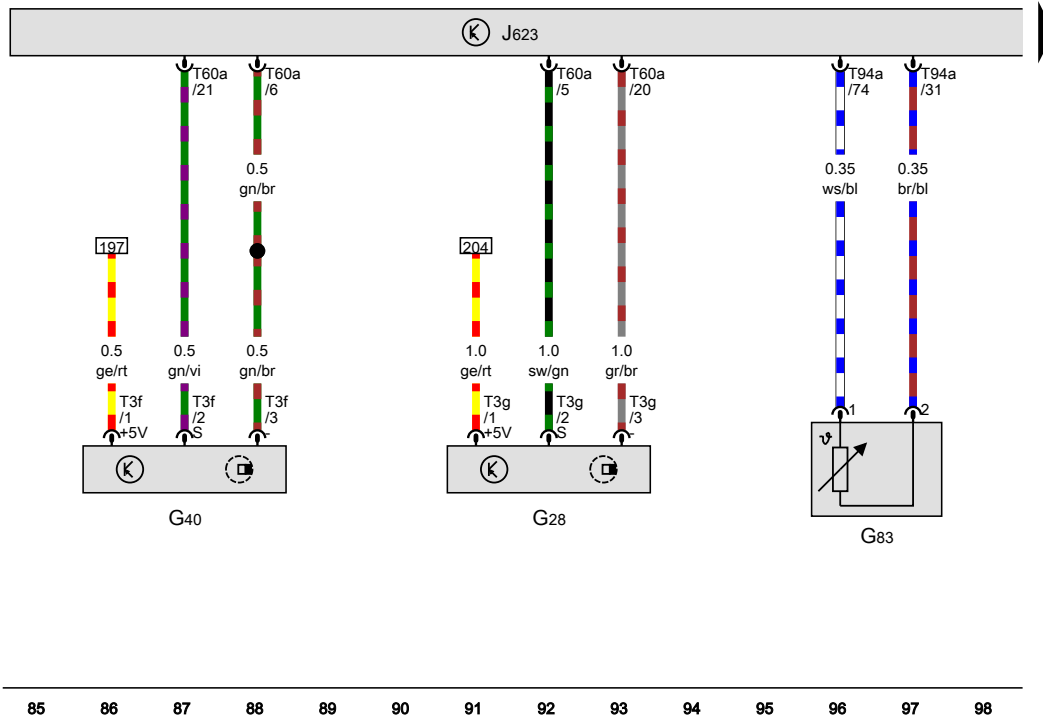
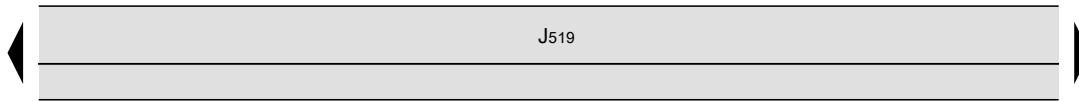
- ws = white
- sw = black
- ro = red
- rt = red
- br = brown
- gn = green
- bl = blue
- gr = grey
- li = purple
- vi = purple
- ge = yellow
- or = orange
- rs = pink

71 72 73 74 75 76 77 78 79 80 81 82 83 84

[NH0-133070516]

Engine speed sender, Hall sender, Radiator outlet coolant temperature sender, Engine control unit

- G28 Engine speed sender
- G40 Hall sender
- G83 Radiator outlet coolant temperature sender
- J519 Onboard supply control unit
- J623 Engine control unit
- T3f 3-pin connector
- T3g 3-pin connector
- T60a 60-pin connector
- T94a 94-pin connector



85 86 87 88 89 90 91 92 93 94 95 96 97 98

[NH0-133080516]

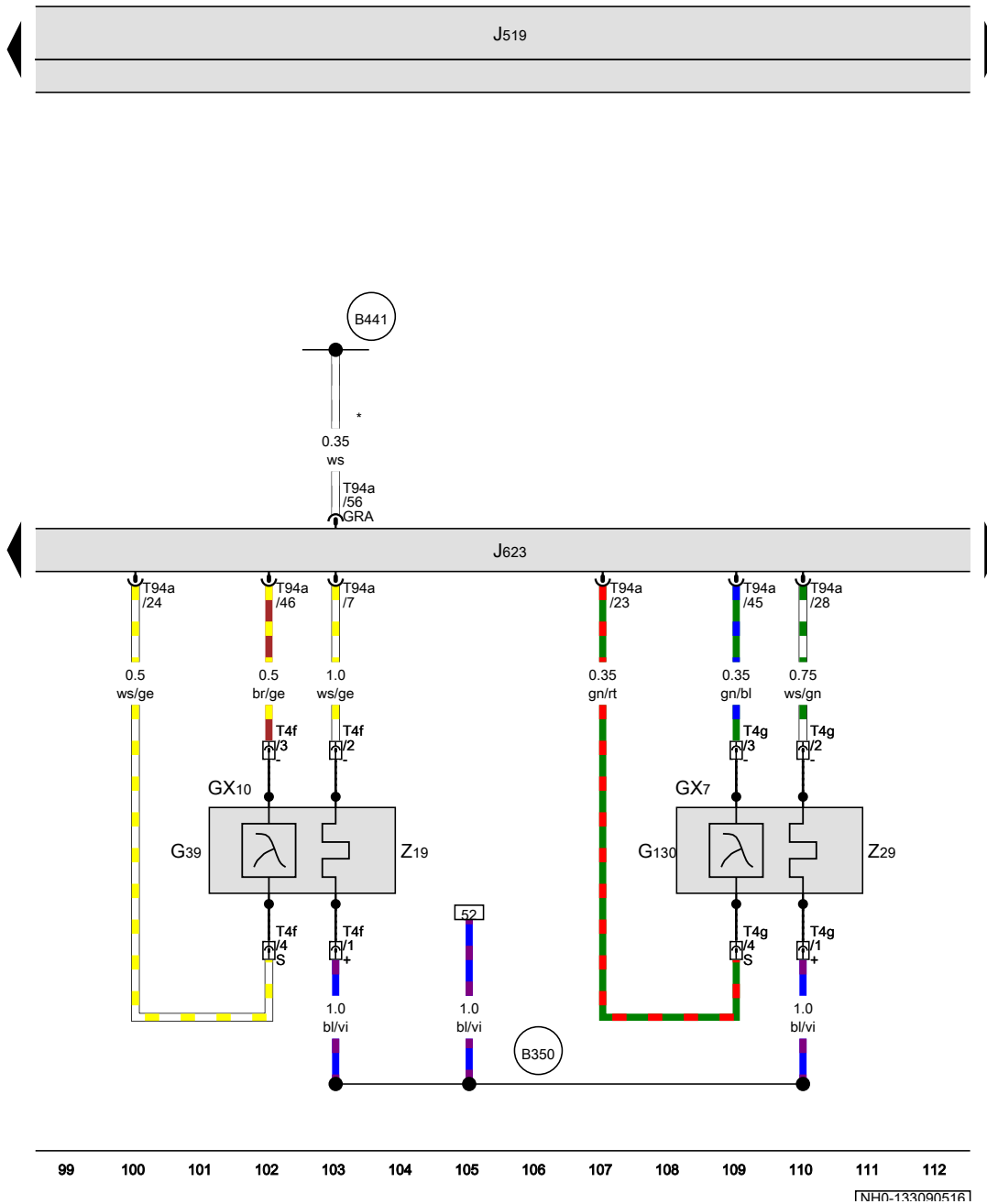
Lambda probe 1 after catalytic converter, Lambda probe 1 before catalytic converter, Engine control unit

- GX7 Lambda probe 1 after catalytic converter
- GX10 Lambda probe 1 before catalytic converter
- G39 Lambda probe
- G130 Lambda probe after catalytic converter
- J519 Onboard supply control unit
- J623 Engine control unit
- T4f 4-pin connector, brown
- T4g 4-pin connector, black
- T94a 94-pin connector
- Z19 Lambda probe heater
- Z29 Lambda probe 1 heater after catalytic converter

B350 Positive connection 1 (87a) in main wiring harness

B441 Connection (CCS), in main wiring harness

* Only models with cruise control system (CCS)



- ws = white
- sw = black
- ro = red
- rt = red
- br = brown
- gn = green
- bl = blue
- gr = grey
- li = purple
- vi = purple
- ge = yellow
- or = orange
- rs = pink

99 100 101 102 103 104 105 106 107 108 109 110 111 112

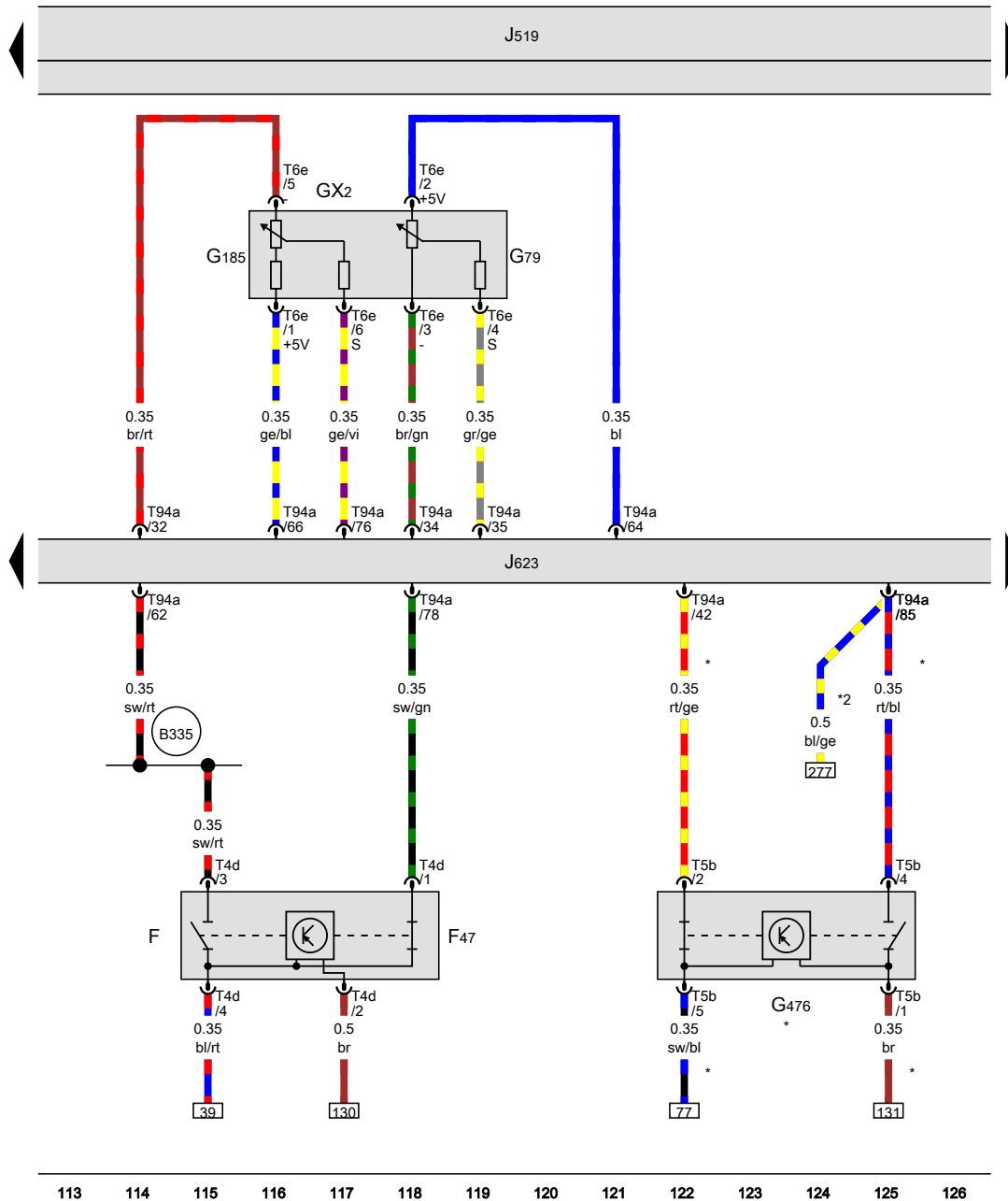
1NH0-1330905161

Brake pedal switch, Accelerator pedal module, Clutch position sender, Engine control unit

- F Brake light switch
- F47 Brake pedal switch
- GX2 Accelerator pedal module
- G79 Accelerator position sender
- G185 Accelerator position sender 2
- G476 Clutch position sender
- J519 Onboard supply control unit
- J623 Engine control unit
- T4d 4-pin connector
- T5b 5-pin connector
- T6e 6-pin connector
- T94a 94-pin connector

B335 Connection 1 (54), in main wiring harness

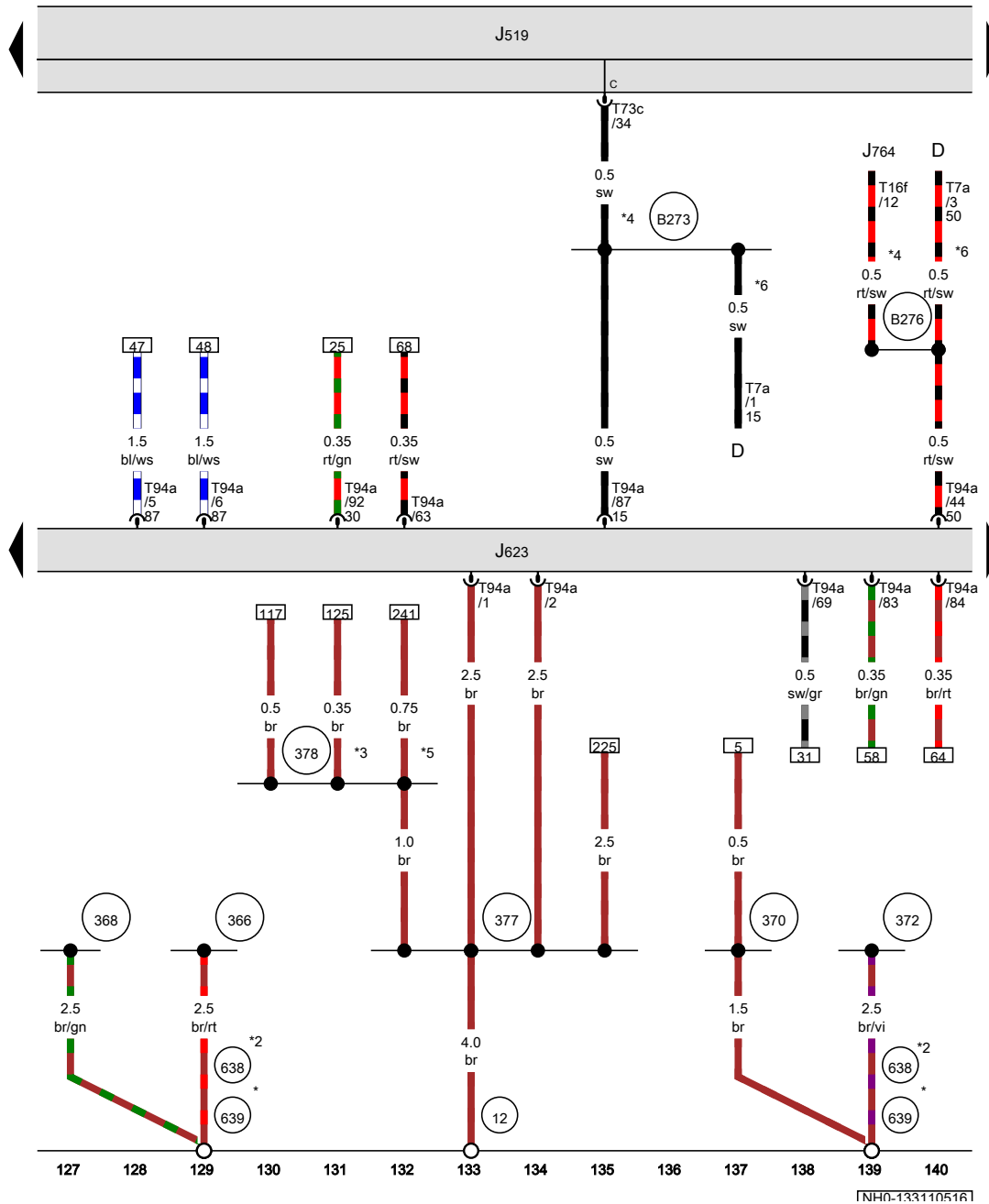
- * Only models with manual gearbox
- *2 Only models with automatic gearbox



- ws = white
- sw = black
- ro = red
- rt = red
- br = brown
- gn = green
- bl = blue
- gr = grey
- li = purple
- vi = purple
- ge = yellow
- or = orange
- rs = pink

113 114 115 116 117 118 119 120 121 122 123 124 125 126

[NH0-133100516]



Engine control unit

- D Ignition/starter switch
- J519 Onboard supply control unit
- J623 Engine control unit
- J764 Control unit for electronic steering column lock
- T7a 7-pin connector
- T16f 16-pin connector
- T73c 73-pin connector, black
- T94a 94-pin connector

- 12 Earth point, on left in engine compartment
- 366 Earth connection 1, in main wiring harness
- 368 Earth connection 3, in main wiring harness
- 370 Earth connection 5, in main wiring harness
- 372 Earth connection 7, in main wiring harness
- 377 Earth connection 12, in main wiring harness
- 378 Earth connection 13, in main wiring harness

- 638 Earth point, on right A-pillar
- 639 Earth point, left A-pillar
- B273 Positive connection (15), in main wiring harness
- B276 Positive connection (50), in main wiring harness

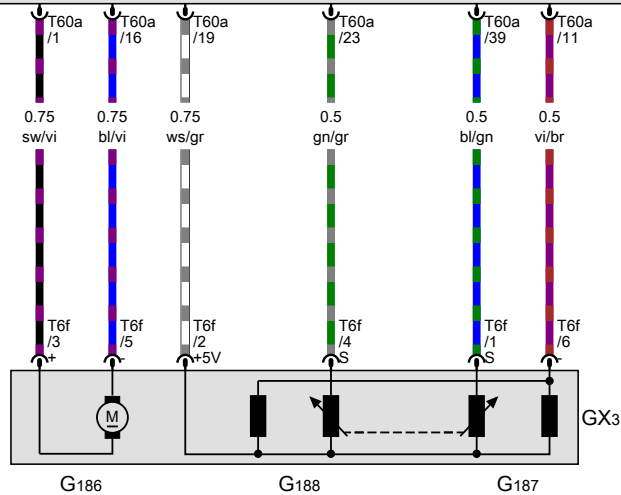
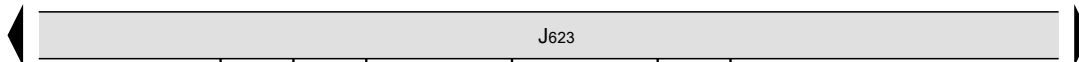
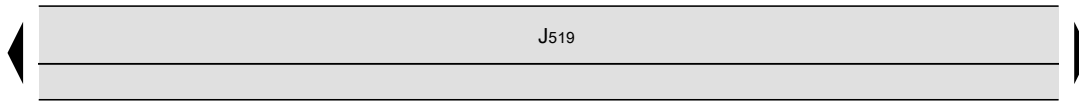
- ws = white
- sw = black
- ro = red
- rt = red
- br = brown
- gn = green
- bl = blue
- gr = grey
- li = purple
- vi = purple
- ge = yellow
- or = orange
- rs = pink

- * Only left-hand drive models
- *2 Only right-hand drive models
- *3 Only models with manual gearbox
- *4 Only models with entry and start authorisation
- *5 Only models with extended servicing intervals (ESI)
- *6 Only models with no entry and start authorisation

[NH0-133110516]

Throttle valve module, Engine control unit

- GX3 Throttle valve module
- G186 Throttle valve drive for electric throttle
- G187 Throttle valve drive angle sender 1 for electric throttle
- G188 Throttle valve drive angle sender 2 for electric throttle
- J519 Onboard supply control unit
- J623 Engine control unit
- T6f 6-pin connector
- T60a 60-pin connector



- ws = white
- sw = black
- ro = red
- rt = red
- br = brown
- gn = green
- bl = blue
- gr = grey
- li = purple
- vi = purple
- ge = yellow
- or = orange
- rs = pink

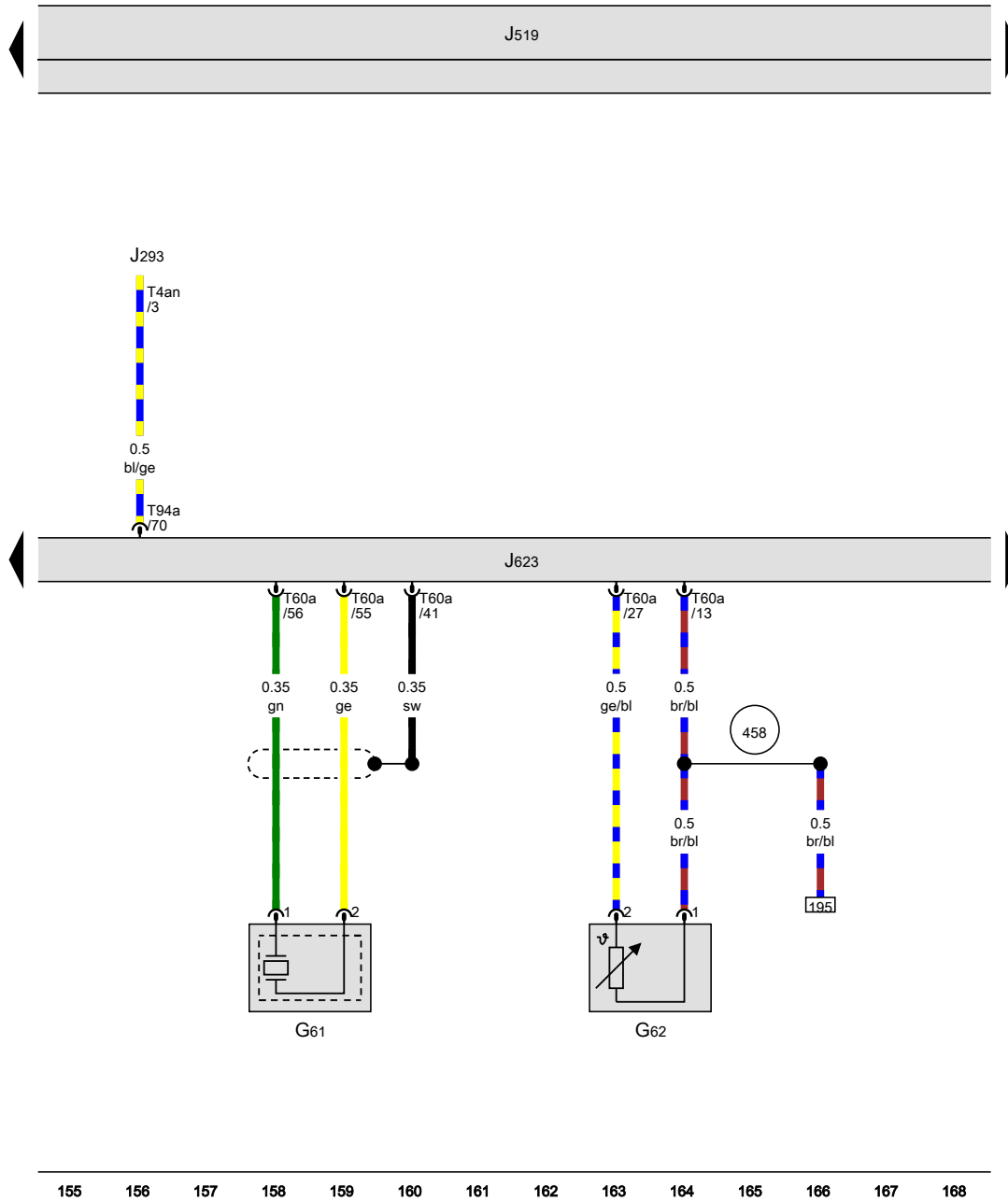
141 142 143 144 145 146 147 148 149 150 151 152 153 154

[NH0-133120516]

Knock sensor 1, Coolant temperature sender, Engine control unit

- G61 Knock sensor 1
- G62 Coolant temperature sender
- J293 Radiator fan control unit
- J519 Onboard supply control unit
- J623 Engine control unit
- T4an 4-pin connector
- T60a 60-pin connector
- T94a 94-pin connector

458 Earth point 3, engine prewiring harness



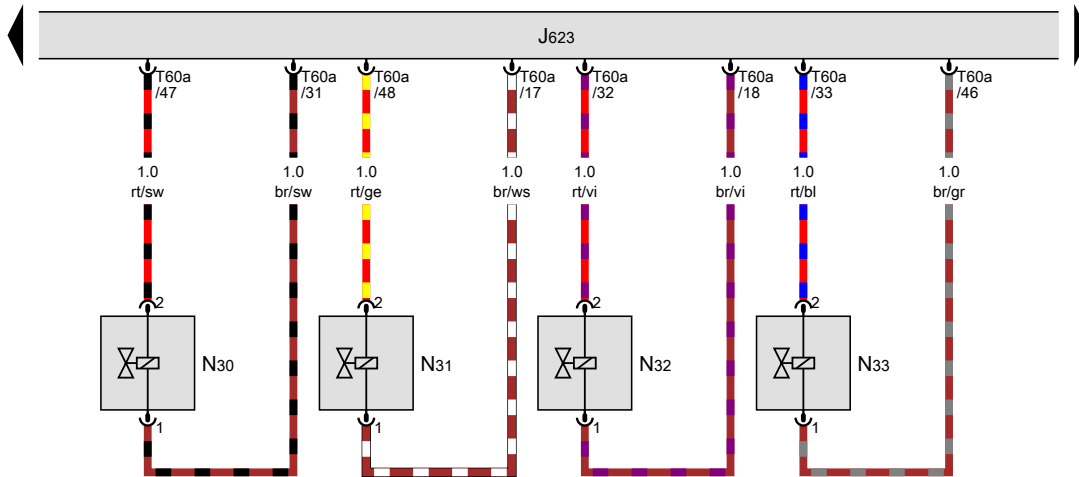
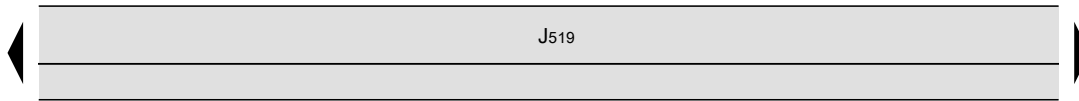
- ws = white
- sw = black
- ro = red
- rt = red
- br = brown
- gn = green
- bl = blue
- gr = grey
- li = purple
- vi = purple
- ge = yellow
- or = orange
- rs = pink

155 156 157 158 159 160 161 162 163 164 165 166 167 168

[NH0-133130516]

Engine control unit, Injector, cylinder 1, Injector, cylinder 2, Injector, cylinder 3, Injector, cylinder 4

- J519 Onboard supply control unit
- J623 Engine control unit
- N30 Injector, cylinder 1
- N31 Injector, cylinder 2
- N32 Injector, cylinder 3
- N33 Injector, cylinder 4
- T60a 60-pin connector



- ws = white
- sw = black
- ro = red
- rt = red
- br = brown
- gn = green
- bl = blue
- gr = grey
- li = purple
- vi = purple
- ge = yellow
- or = orange
- rs = pink

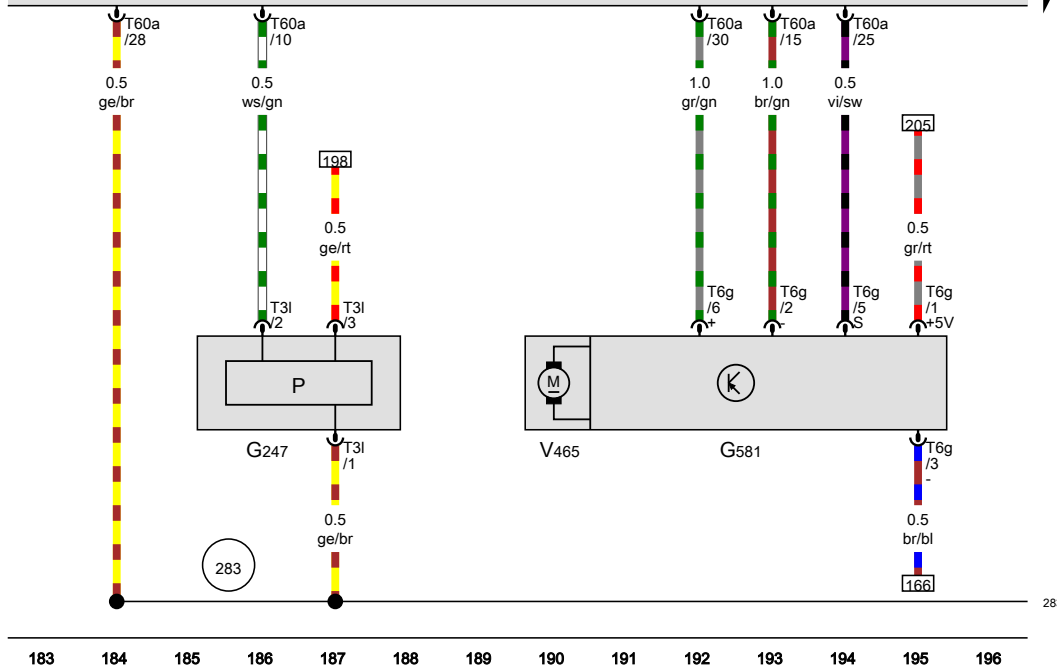
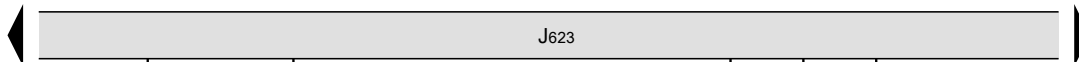
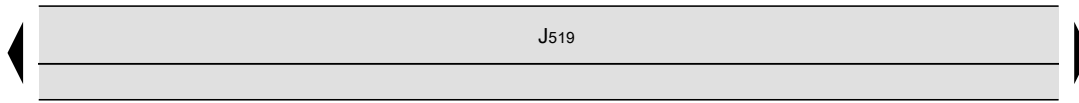
169 170 171 172 173 174 175 176 177 178 179 180 181 182

[NH0-133140516]

Fuel pressure sender, Position sender for charge pressure positioner, Engine control unit, Charge pressure positioner

- G247 Fuel pressure sender
- G581 Position sender for charge pressure positioner
- J519 Onboard supply control unit
- J623 Engine control unit
- T3l 3-pin connector
- T6g 6-pin connector
- T60a 60-pin connector
- V465 Charge pressure positioner

- 283 Earth point 2, engine prewiring harness



- ws = white
- sw = black
- ro = red
- rt = red
- br = brown
- gn = green
- bl = blue
- gr = grey
- li = purple
- vi = purple
- ge = yellow
- or = orange
- rs = pink

[NH0-133150516]

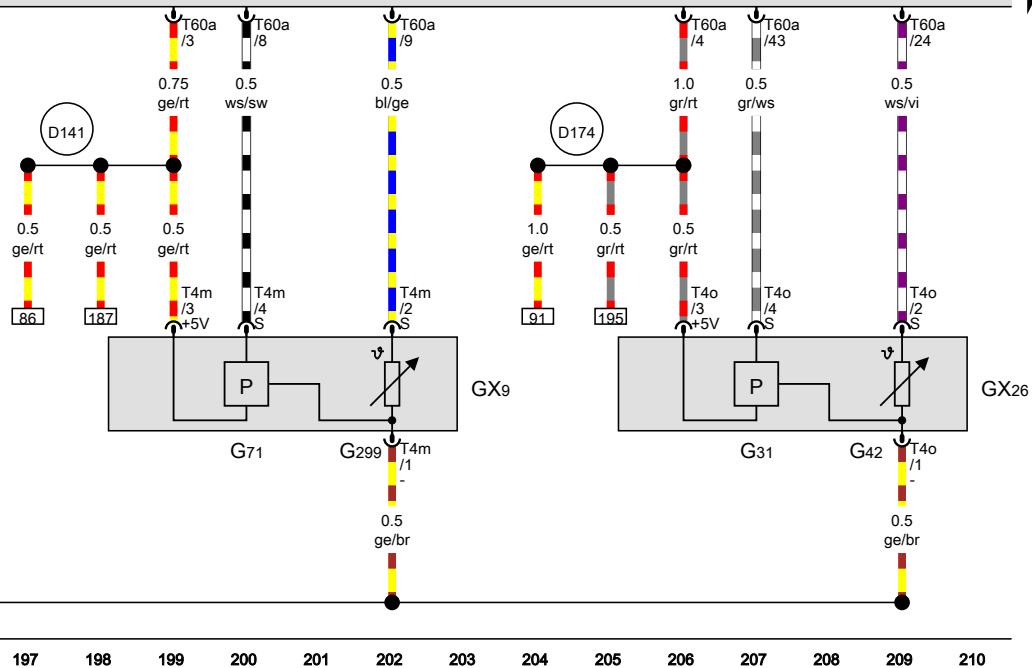
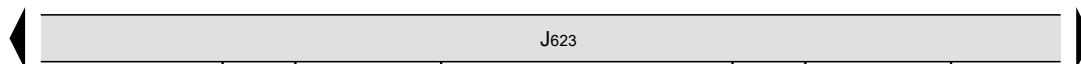
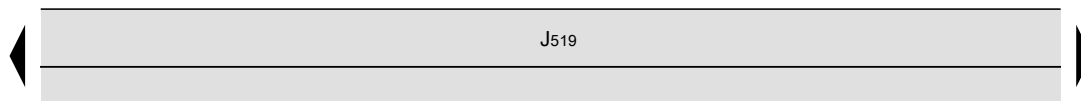
Intake manifold sender, Charge pressure sender, Engine control unit

- GX9 Intake manifold sender
- GX26 Charge pressure sender
- G31 Charge pressure sender
- G42 Intake air temperature sender
- G71 Intake manifold pressure sender
- G299 Intake air temperature sender 2
- J519 Onboard supply control unit
- J623 Engine control unit
- T4m 4-pin connector
- T4o 4-pin connector
- T60a 60-pin connector

283 Earth point 2, engine prewiring harness

D141 Connection (5V) in engine prewiring harness

D174 Connection 2 (5V) in engine prewiring harness



- ws = white
- sw = black
- ro = red
- rt = red
- br = brown
- gn = green
- bl = blue
- gr = grey
- li = purple
- vi = purple
- ge = yellow
- or = orange
- rs = pink

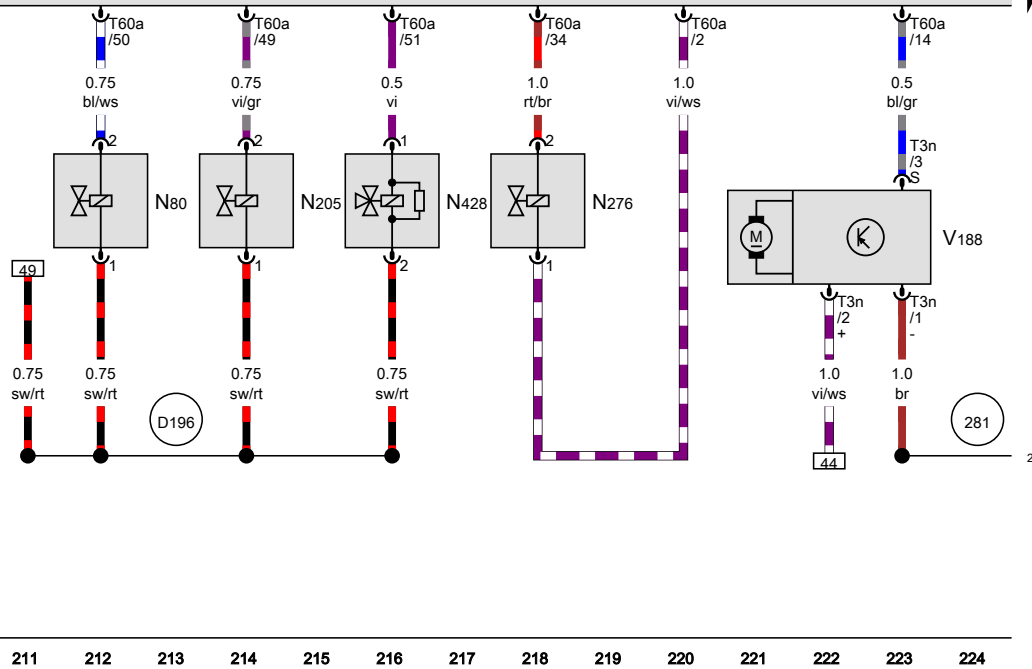
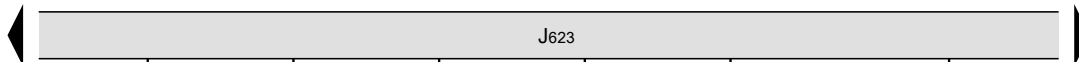
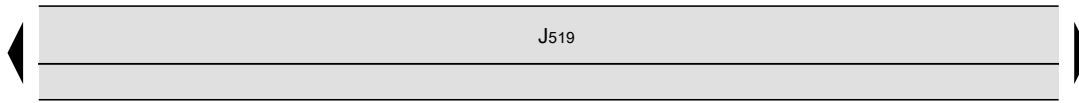
[NHN-133160516]

Engine control unit, Activated charcoal filter solenoid valve 1, Camshaft control valve 1, Fuel pressure regulating valve, Valve for oil pressure control, Charge air cooling pump

- J519 Onboard supply control unit
- J623 Engine control unit
- N80 Activated charcoal filter solenoid valve 1
- N205 Camshaft control valve 1
- N276 Fuel pressure regulating valve
- N428 Valve for oil pressure control
- T3n 3-pin connector
- T60a 60-pin connector
- V188 Charge air cooling pump

281 Earth point 1, engine prewiring harness

D196 Connection 2 (87a) in engine prewiring harness



- ws = white
- sw = black
- ro = red
- rt = red
- br = brown
- gn = green
- bl = blue
- gr = grey
- li = purple
- vi = purple
- ge = yellow
- or = orange
- rs = pink

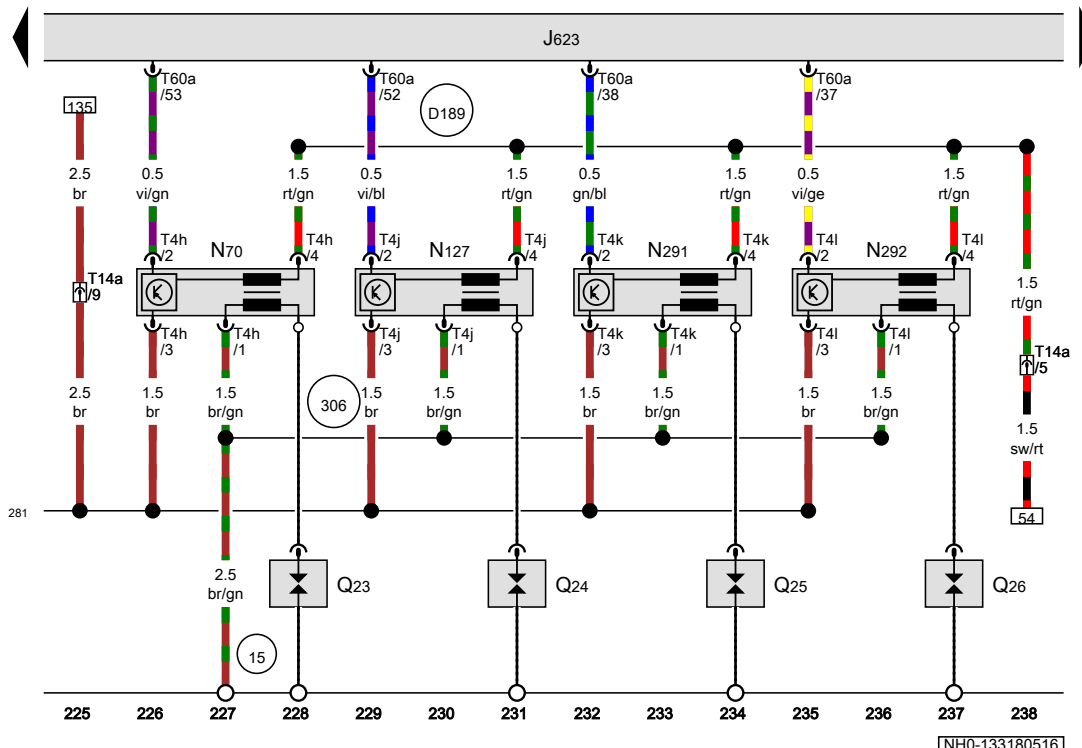
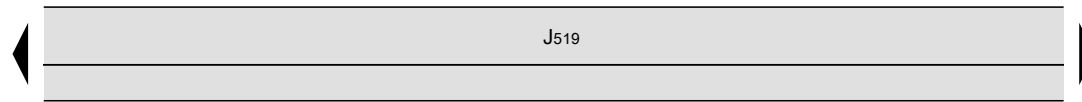
211 212 213 214 215 216 217 218 219 220 221 222 223 224

[NH0-133170516]

Engine control unit, Ignition coil 1 with output stage, Ignition coil 2 with output stage, Ignition coil 3 with output stage, Ignition coil 4 with output stage

- J519 Onboard supply control unit
- J623 Engine control unit
- N70 Ignition coil 1 with output stage
- N127 Ignition coil 2 with output stage
- N291 Ignition coil 3 with output stage
- N292 Ignition coil 4 with output stage
- Q23 Spark plug 1
- Q24 Spark plug 2
- Q25 Spark plug 3
- Q26 Spark plug 4
- T4h 4-pin connector
- T4j 4-pin connector
- T4k 4-pin connector
- T4l 4-pin connector
- T14a 14-pin connector, front left in engine compartment
- T60a 60-pin connector

- 15 Earth point, on cylinder head
- 281 Earth point 1, engine prewiring harness
- 306 Earth connection (ignition coils), in engine prewiring harness
- D189 Connection (87a) in engine prewiring harness

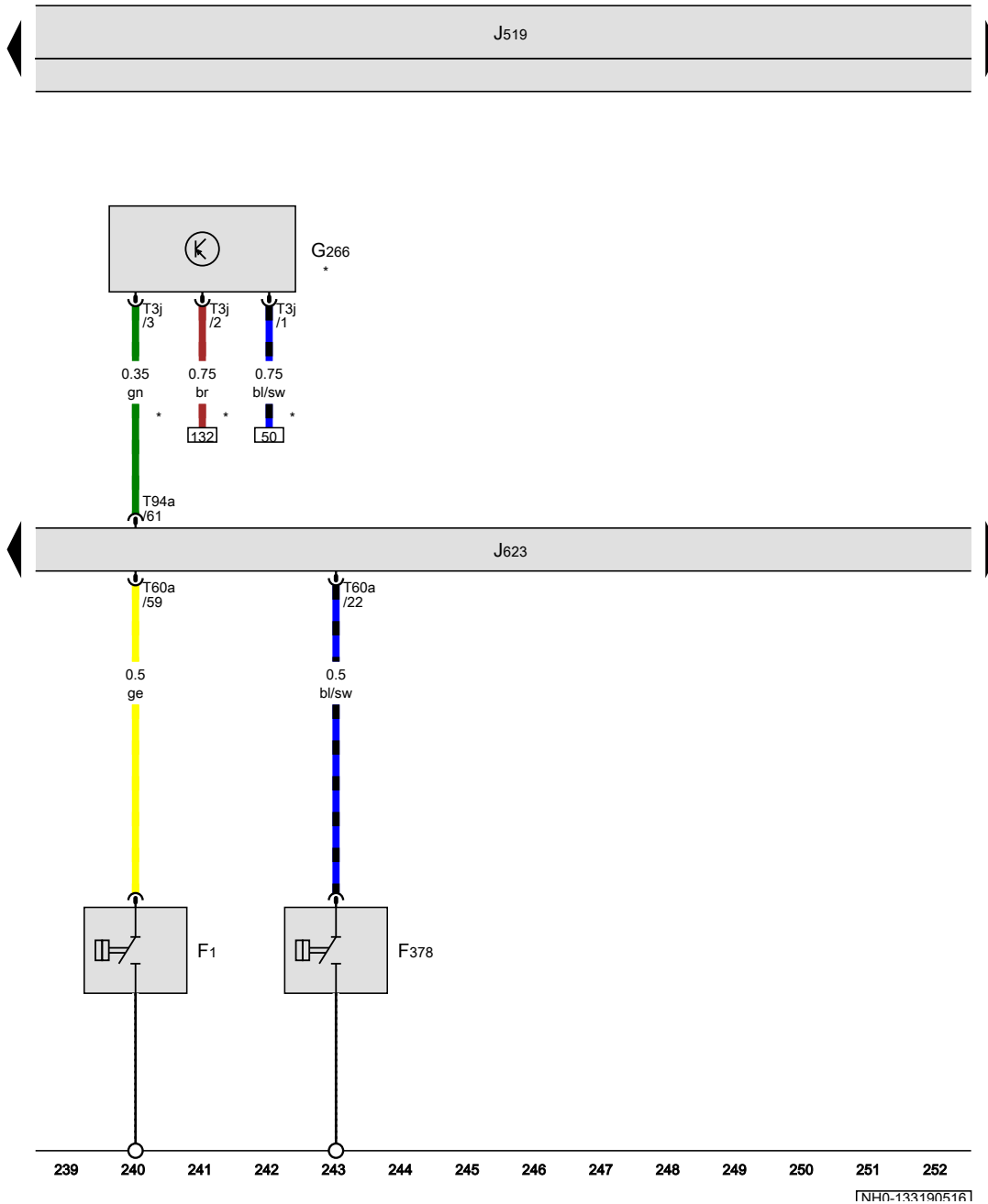


- ws = white
- sw = black
- ro = red
- rt = red
- br = brown
- gn = green
- bl = blue
- gr = grey
- li = purple
- vi = purple
- ge = yellow
- or = orange
- rs = pink

[NHN-133180516]

Oil pressure switch, Oil pressure switch for reduced oil pressure, Oil level and oil temperature sender, Engine control unit

- F1 Oil pressure switch
- F378 Oil pressure switch for reduced oil pressure
- G266 Oil level and oil temperature sender
- J519 Onboard supply control unit
- J623 Engine control unit
- T3j 3-pin connector
- T60a 60-pin connector
- T94a 94-pin connector
- * Only models with extended servicing intervals (ESI)



- ws = white
- sw = black
- ro = red
- rt = red
- br = brown
- gn = green
- bl = blue
- gr = grey
- li = purple
- vi = purple
- ge = yellow
- or = orange
- rs = pink

[NH0-133190516]

Fuel delivery unit, Fuel pump control unit, Engine control unit

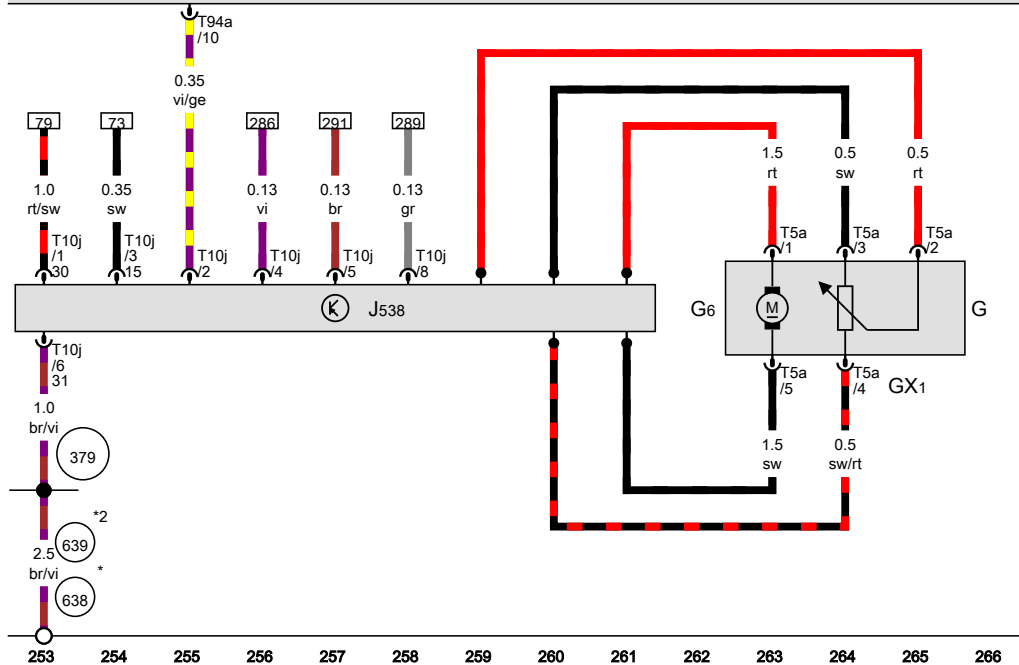
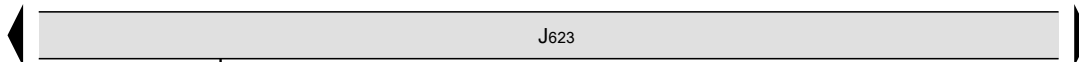
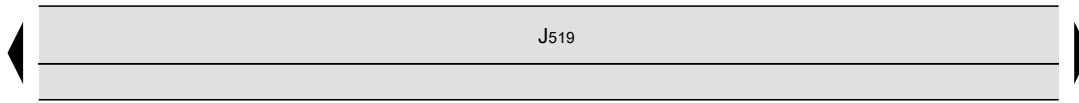
- G Fuel gauge sender
- GX1 Fuel delivery unit
- G6 Fuel system pressurisation pump
- J519 Onboard supply control unit
- J538 Fuel pump control unit
- J623 Engine control unit
- T5a 5-pin connector
- T10j 10-pin connector
- T94a 94-pin connector

379 Earth connection 14, in main wiring harness

638 Earth point, on right A-pillar

639 Earth point, left A-pillar

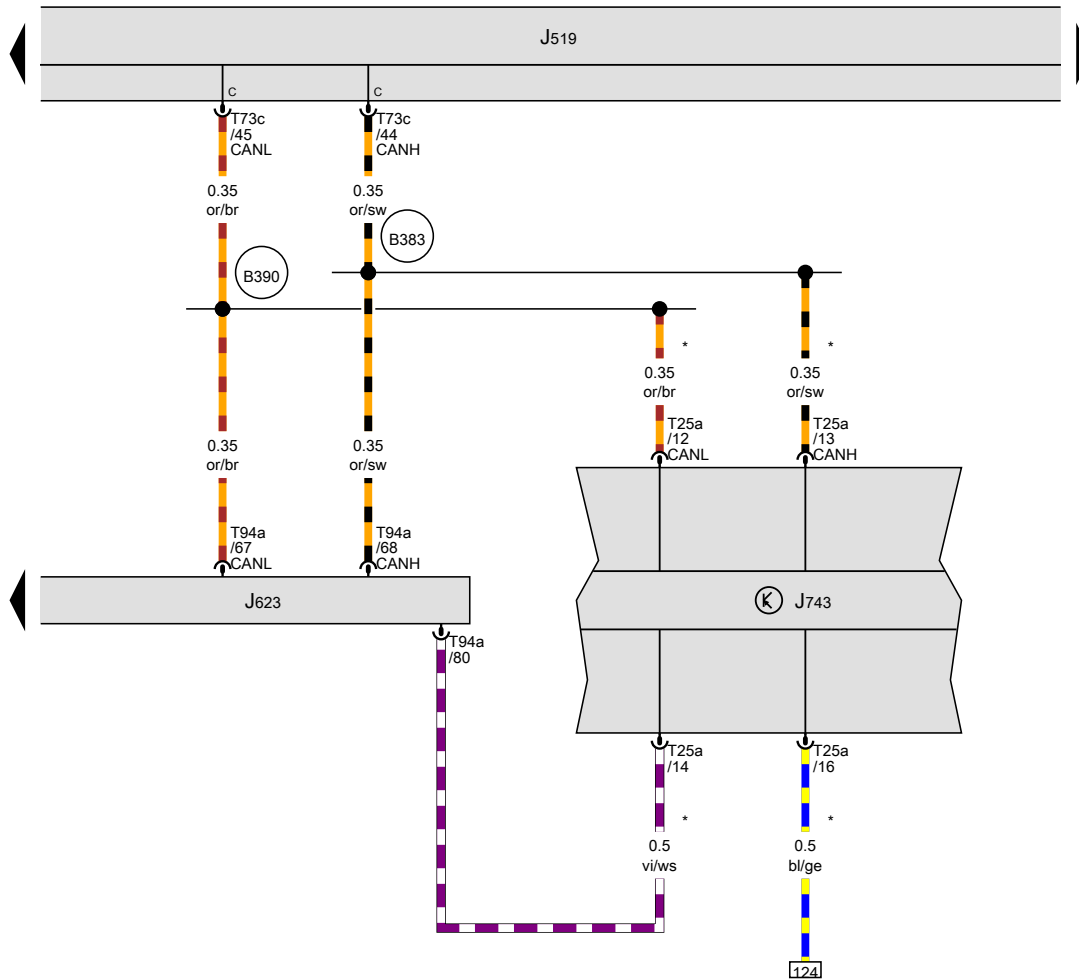
- * Only left-hand drive models
- *2 Only right-hand drive models



- ws = white
- sw = black
- ro = red
- rt = red
- br = brown
- gn = green
- bl = blue
- gr = grey
- li = purple
- vi = purple
- ge = yellow
- or = orange
- rs = pink

[NH0-133200516]

Engine control unit, Mechatronic unit for dual clutch gearbox



- J519 Onboard supply control unit
- J623 Engine control unit
- J743 Mechatronic unit for dual clutch gearbox
- T25a 25-pin connector
- T73c 73-pin connector, black
- T94a 94-pin connector

B383 Connection 1 (powertrain CAN bus, high), in main wiring harness

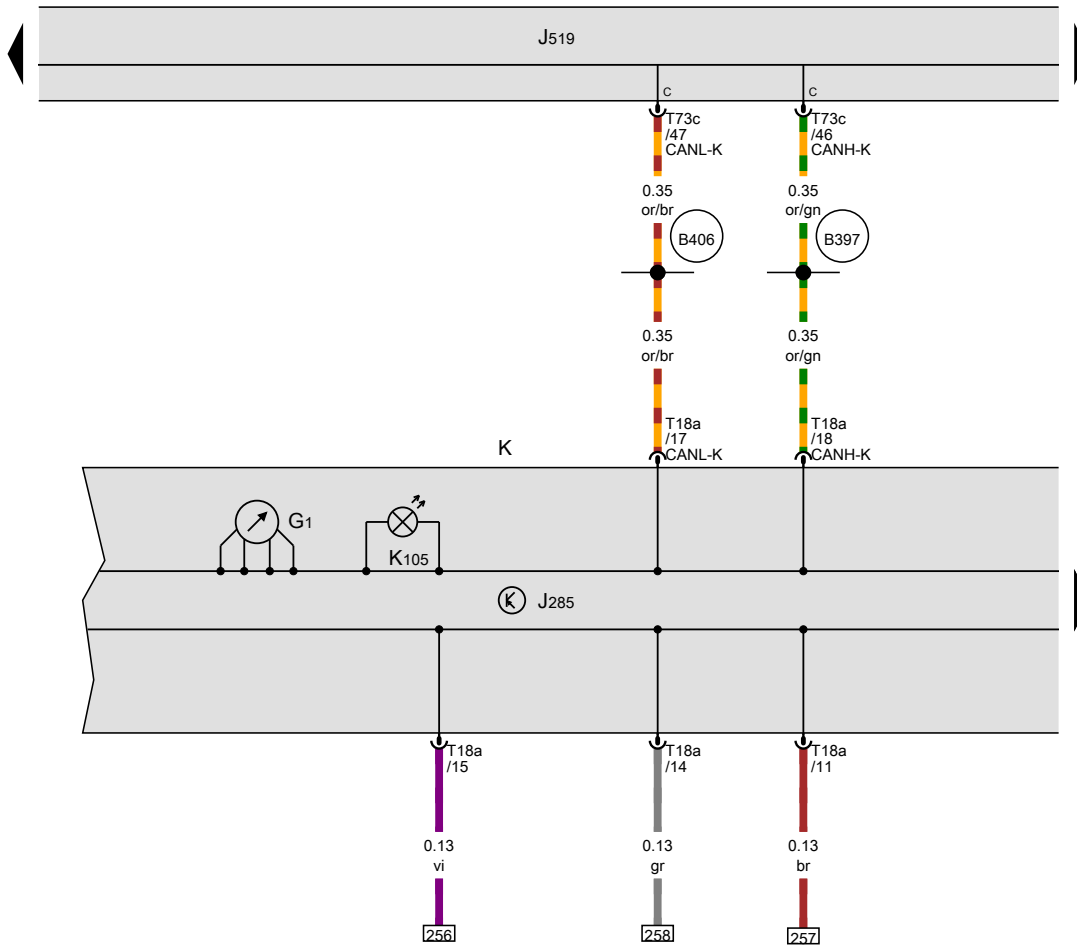
B390 Connection 1 (powertrain CAN bus, low), in main wiring harness

* Only models with automatic gearbox

- ws = white
- sw = black
- ro = red
- rt = red
- br = brown
- gn = green
- bl = blue
- gr = grey
- li = purple
- vi = purple
- ge = yellow
- or = orange
- rs = pink

Fuel gauge, Dash panel insert

- G1 Fuel gauge
- J285 Control unit in dash panel insert
- J519 Onboard supply control unit
- K Dash panel insert
- K105 Reserve fuel warning lamp
- T18a 18-pin connector
- T73c 73-pin connector, black
- B397** Connection 1 (convenience CAN bus, high), in main wiring harness
- B406** Connection 1 (convenience CAN bus, low), in main wiring harness



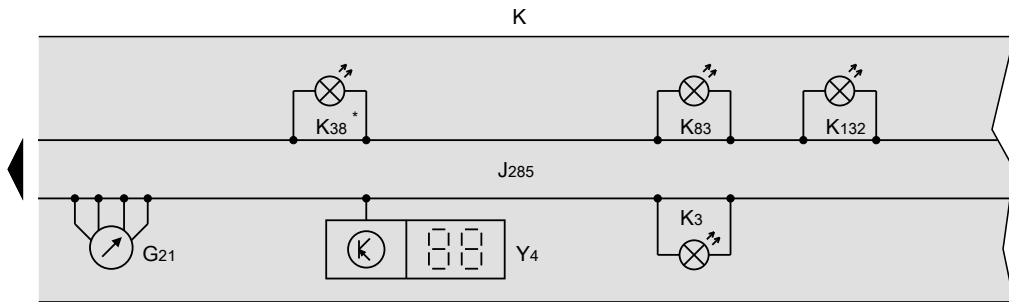
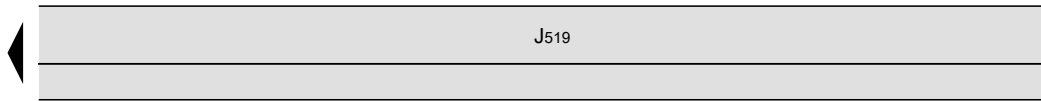
- ws = white
- sw = black
- ro = red
- rt = red
- br = brown
- gn = green
- bl = blue
- gr = grey
- li = purple
- vi = purple
- ge = yellow
- or = orange
- rs = pink

281 282 283 284 285 286 287 288 289 290 291 292 293 294

[NH0-133220516]

Speedometer, Dash panel insert, Trip counter

- G21 Speedometer
- J285 Control unit in dash panel insert
- J519 Onboard supply control unit
- K Dash panel insert
- K3 Oil pressure warning lamp
- K38 Oil level warning lamp
- K83 Exhaust emissions warning lamp
- K132 Electronic power control fault lamp
- Y4 Trip counter
- * Only models with extended servicing intervals (ESI)



- ws = white
- sw = black
- ro = red
- rt = red
- br = brown
- gn = green
- bl = blue
- gr = grey
- li = purple
- vi = purple
- ge = yellow
- or = orange
- rs = pink

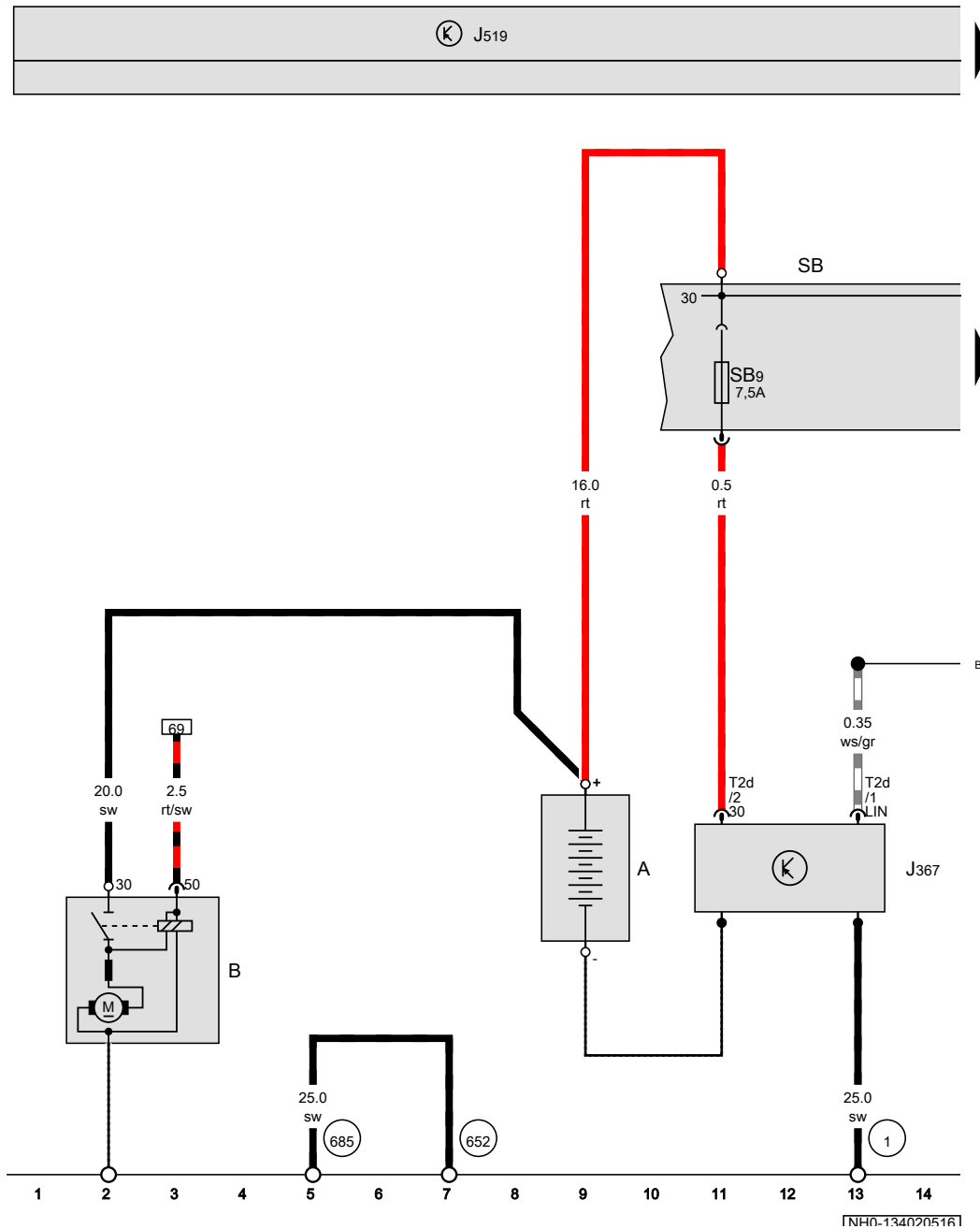
295 296 297 298 299 300 301 302 303 304 305 306 307 308

[NH0-133230516]

1.4l petrol engine with start/stop system , CZCA,(7L6)

From May 2016

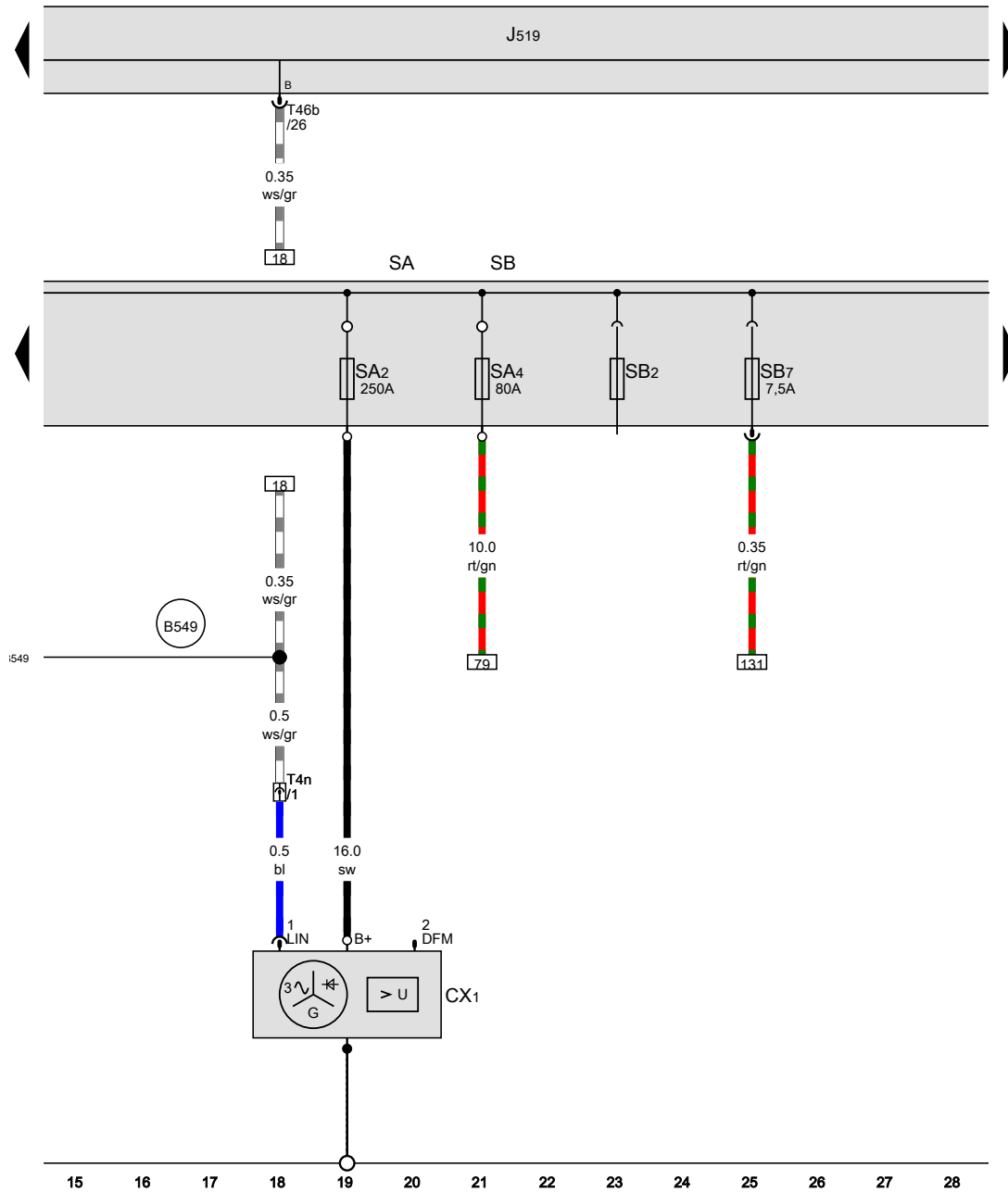
Battery, Starter, Battery monitor control unit, Fuse holder B



- A Battery
- B Starter
- J367 Battery monitor control unit
- J519 Onboard supply control unit
- SB Fuse holder B
- SB9 Fuse 9 on fuse holder B
- T2d 2-pin connector
- 1 Earth strap, battery - body
- 652 Earth point, engine and gearbox earth
- 685 Earth point 1 at front of right longitudinal member
- B549 Connection 2 (LIN bus) in main wiring harness

- ws = white
- sw = black
- ro = red
- rt = red
- br = brown
- gn = green
- bl = blue
- gr = grey
- li = purple
- vi = purple
- ge = yellow
- or = orange
- rs = pink

[NH0-134020516]



Alternator with voltage regulator, Fuse holder A, Fuse holder B

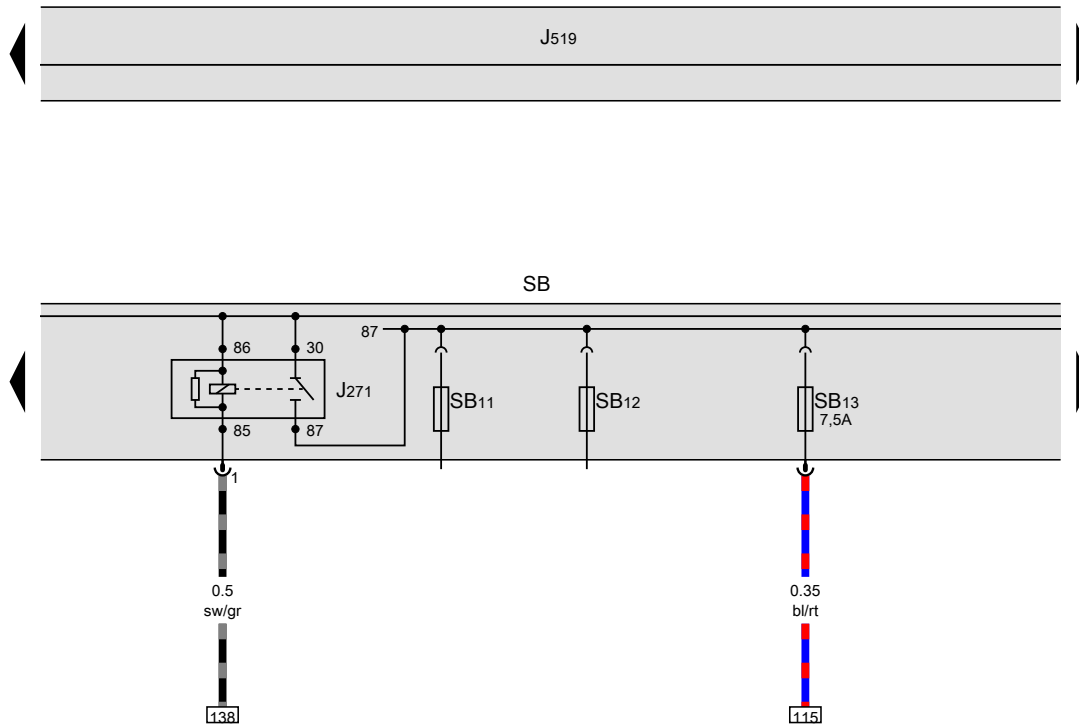
- CX1 Alternator with voltage regulator
- J519 Onboard supply control unit
- SA Fuse holder A
- SA2 Fuse 2 in fuse holder A
- SB2 Fuse 2 on fuse holder B
- SA4 Fuse 4 in fuse holder A
- SB Fuse holder B
- SB7 Fuse 7 on fuse holder B
- T4n 4-pin connector, front left in engine compartment
- T46b 46-pin connector, brown
- B549 Connection 2 (LIN bus) in main wiring harness

- ws = white
- sw = black
- ro = red
- rt = red
- br = brown
- gn = green
- bl = blue
- gr = grey
- li = purple
- vi = purple
- ge = yellow
- or = orange
- rs = pink

[NH0-134030516]

Main relay, Fuse holder B

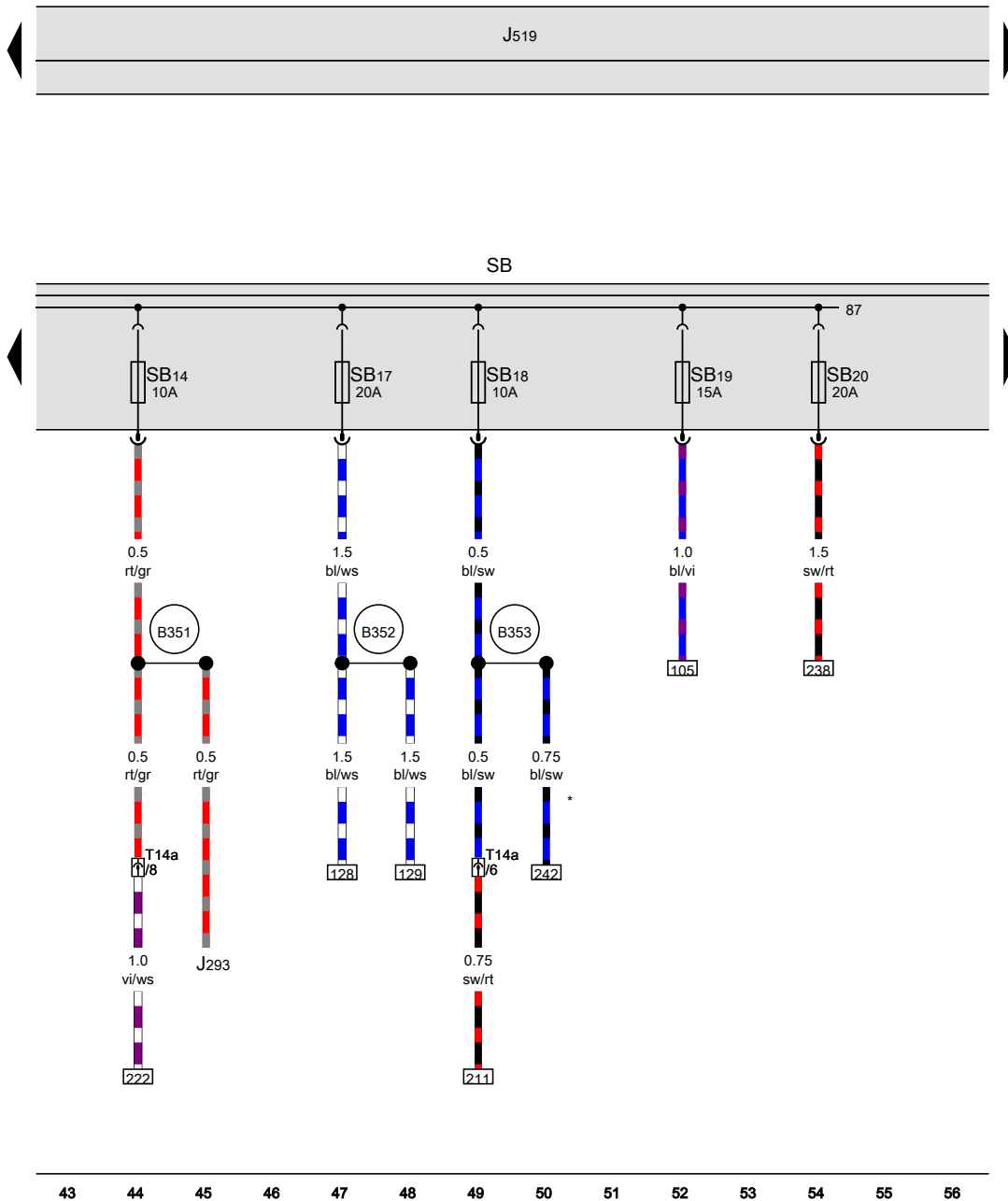
- J271 Main relay
- J519 Onboard supply control unit
- SB Fuse holder B
- SB11 Fuse 11 on fuse holder B
- SB12 Fuse 12 on fuse holder B
- SB13 Fuse 13 on fuse holder B



- ws = white
- sw = black
- ro = red
- rt = red
- br = brown
- gn = green
- bl = blue
- gr = grey
- li = purple
- vi = purple
- ge = yellow
- or = orange
- rs = pink

29 30 31 32 33 34 35 36 37 38 39 40 41 42

[NH0-134040516]



Fuse holder B

- J293 Radiator fan control unit
- J519 Onboard supply control unit
- SB Fuse holder B
- SB14 Fuse 14 on fuse holder B
- SB17 Fuse 17 on fuse holder B
- SB18 Fuse 18 on fuse holder B
- SB19 Fuse 19 on fuse holder B
- SB20 Fuse 20 on fuse holder B
- T14a 14-pin connector, front left in engine compartment

B351 Positive connection 2 (87a) in main wiring harness

B352 Positive connection 3 (87a) in main wiring harness

B353 Positive connection 4 (87a) in main wiring harness

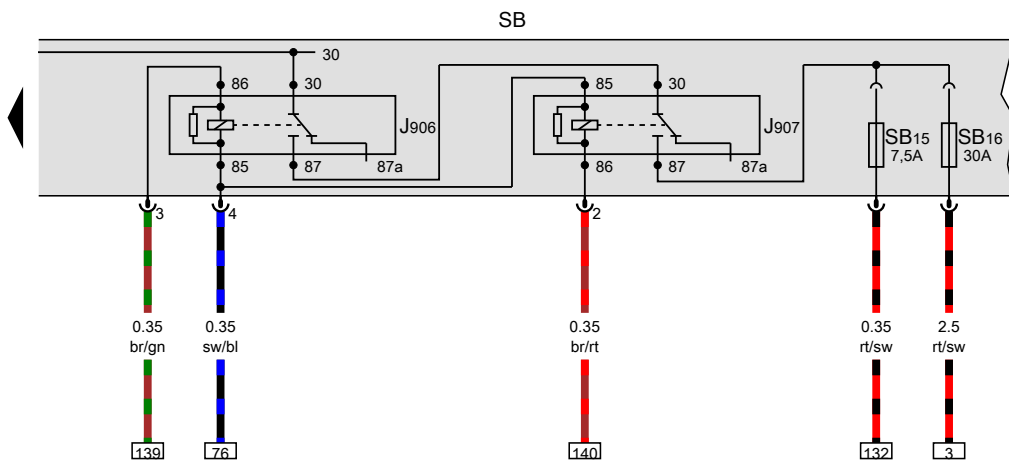
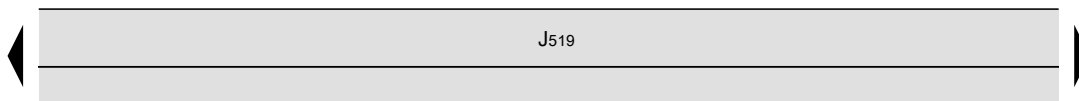
* Only models with extended servicing intervals (ESI)

- ws = white
- sw = black
- ro = red
- rt = red
- br = brown
- gn = green
- bl = blue
- gr = grey
- li = purple
- vi = purple
- ge = yellow
- or = orange
- rs = pink

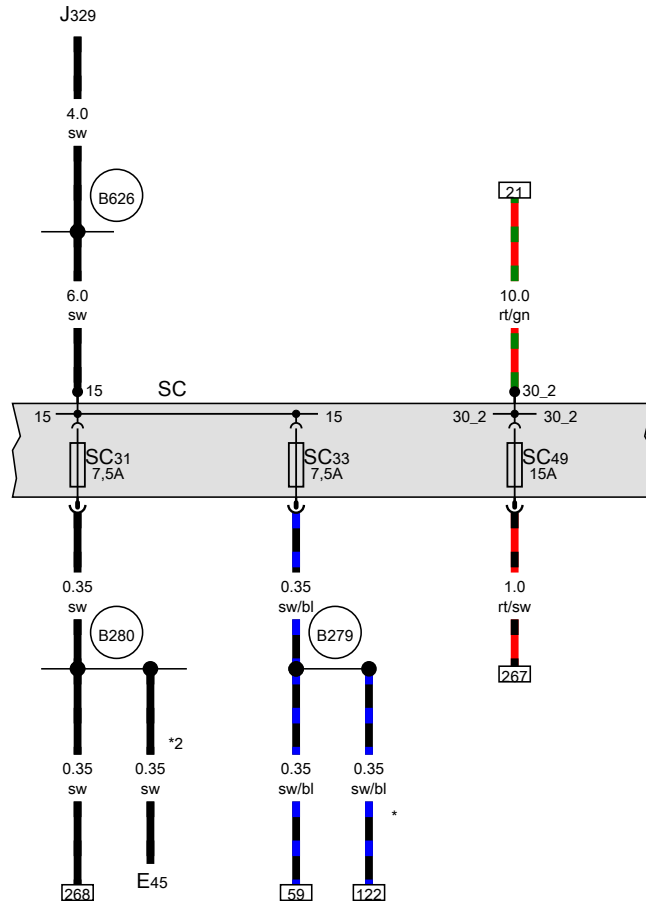
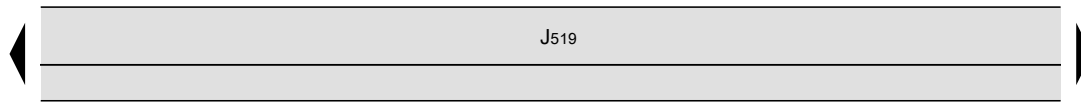
[NH0-134050516]

Starter relay 1, Starter relay 2, Fuse holder B

- J519 Onboard supply control unit
- J906 Starter relay 1
- J907 Starter relay 2
- SB Fuse holder B
- SB15 Fuse 15 on fuse holder B
- SB16 Fuse 16 on fuse holder B



- ws = white
- sw = black
- ro = red
- rt = red
- br = brown
- gn = green
- bl = blue
- gr = grey
- li = purple
- vi = purple
- ge = yellow
- or = orange
- rs = pink



Fuse holder C

- E45 Cruise control system switch
- J329 Terminal 15 voltage supply relay
- J519 Onboard supply control unit
- SC Fuse holder C
- SC31 Fuse 31 on fuse holder C
- SC33 Fuse 33 on fuse holder C
- SC49 Fuse 49 on fuse holder C

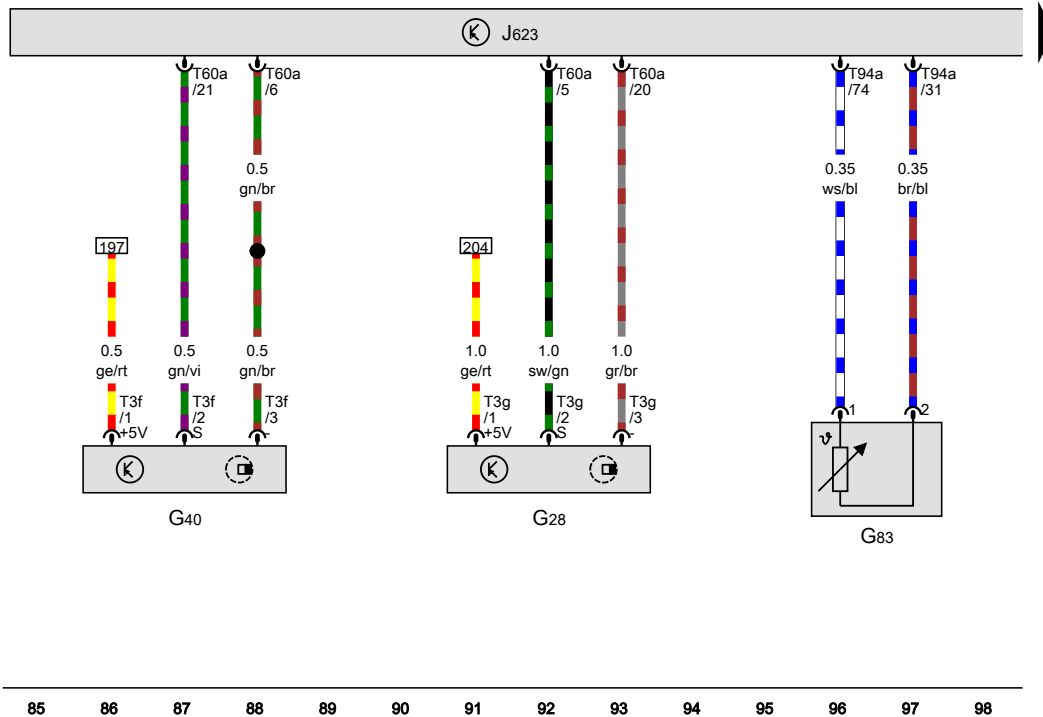
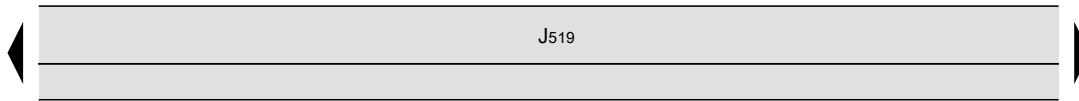
- B279 Positive connection 3 (15a) in main wiring harness
- B280 Positive connection 4 (15a) in main wiring harness
- B626 Positive connection 2 (15), in main wiring harness

- * Only models with manual gearbox
- *2 Only models with cruise control system (CCS)

- ws = white
- sw = black
- ro = red
- rt = red
- br = brown
- gn = green
- bl = blue
- gr = grey
- li = purple
- vi = purple
- ge = yellow
- or = orange
- rs = pink

Engine speed sender, Hall sender, Radiator outlet coolant temperature sender, Engine control unit

- G28 Engine speed sender
- G40 Hall sender
- G83 Radiator outlet coolant temperature sender
- J519 Onboard supply control unit
- J623 Engine control unit
- T3f 3-pin connector
- T3g 3-pin connector
- T60a 60-pin connector
- T94a 94-pin connector



- ws = white
- sw = black
- ro = red
- rt = red
- br = brown
- gn = green
- bl = blue
- gr = grey
- li = purple
- vi = purple
- ge = yellow
- or = orange
- rs = pink

85 86 87 88 89 90 91 92 93 94 95 96 97 98

[NH0-134080516]

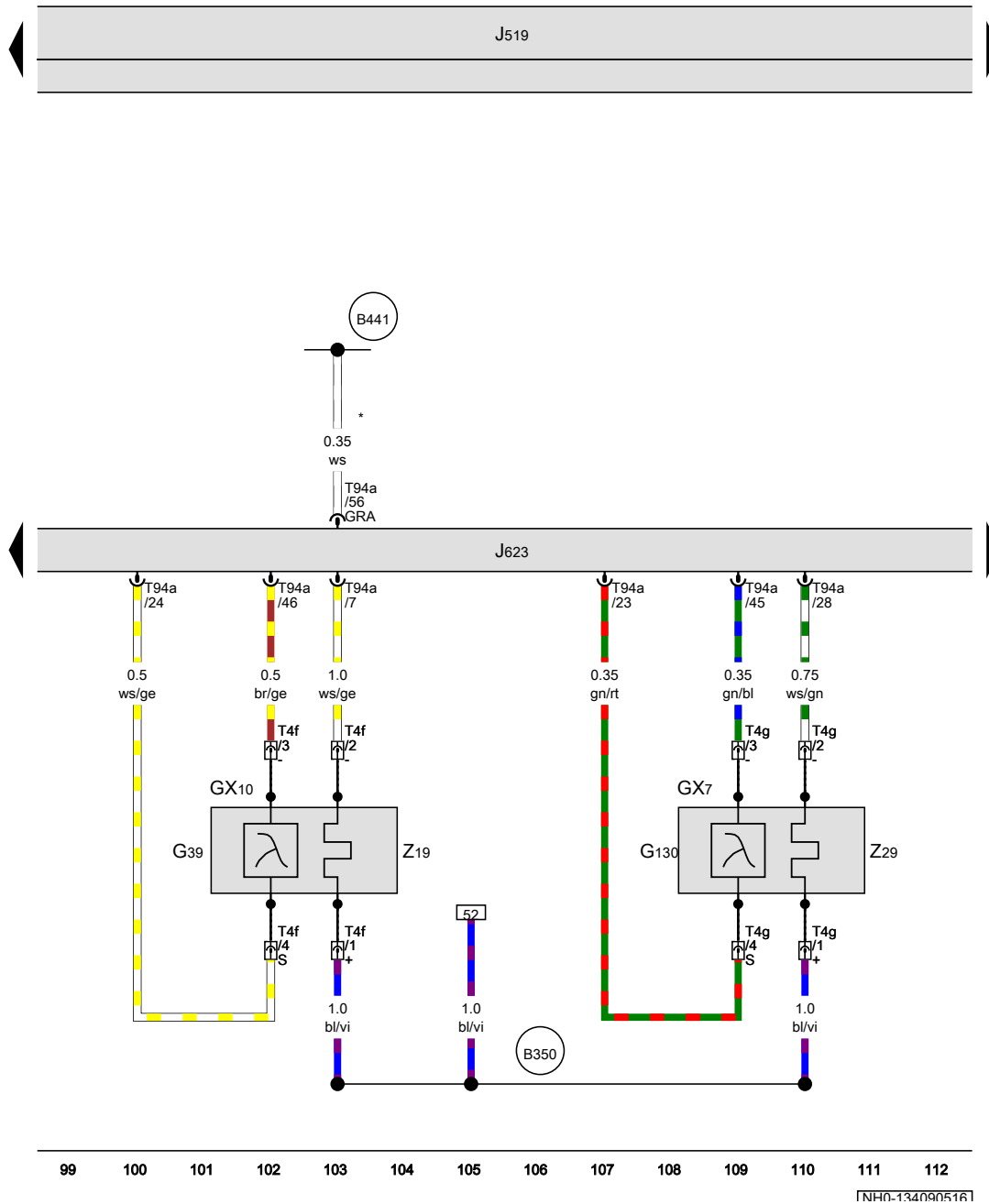
Lambda probe 1 after catalytic converter, Lambda probe 1 before catalytic converter, Engine control unit

- GX7 Lambda probe 1 after catalytic converter
- GX10 Lambda probe 1 before catalytic converter
- G39 Lambda probe
- G130 Lambda probe after catalytic converter
- J519 Onboard supply control unit
- J623 Engine control unit
- T4f 4-pin connector, brown
- T4g 4-pin connector, black
- T94a 94-pin connector
- Z19 Lambda probe heater
- Z29 Lambda probe 1 heater after catalytic converter

B350 Positive connection 1 (87a) in main wiring harness

B441 Connection (CCS), in main wiring harness

* Only models with cruise control system (CCS)



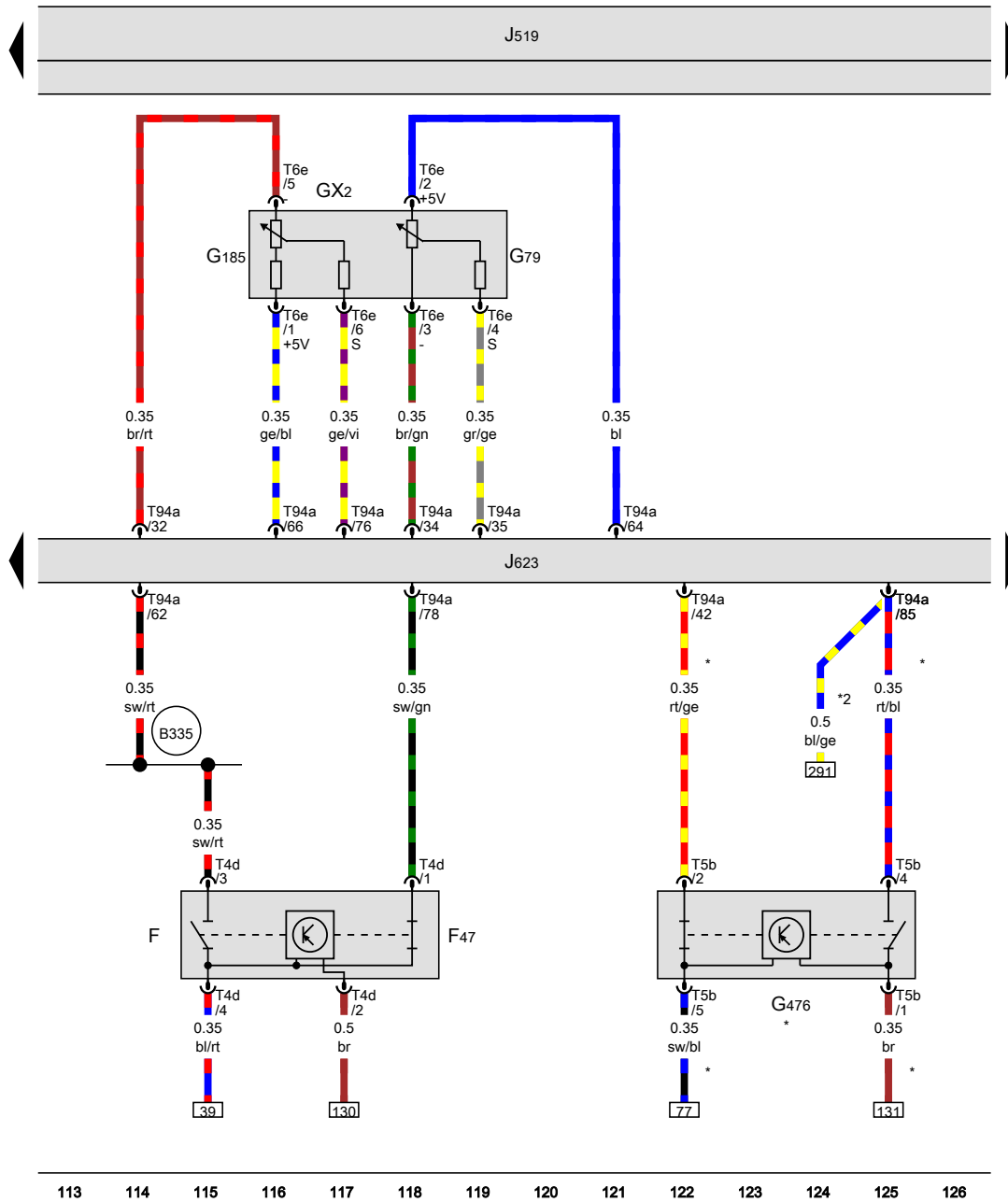
- ws = white
- sw = black
- ro = red
- rt = red
- br = brown
- gn = green
- bl = blue
- gr = grey
- li = purple
- vi = purple
- ge = yellow
- or = orange
- rs = pink

Brake pedal switch, Accelerator pedal module, Clutch position sender, Engine control unit

- F Brake light switch
- F47 Brake pedal switch
- GX2 Accelerator pedal module
- G79 Accelerator position sender
- G185 Accelerator position sender 2
- G476 Clutch position sender
- J519 Onboard supply control unit
- J623 Engine control unit
- T4d 4-pin connector
- T5b 5-pin connector
- T6e 6-pin connector
- T94a 94-pin connector

B335 Connection 1 (54), in main wiring harness

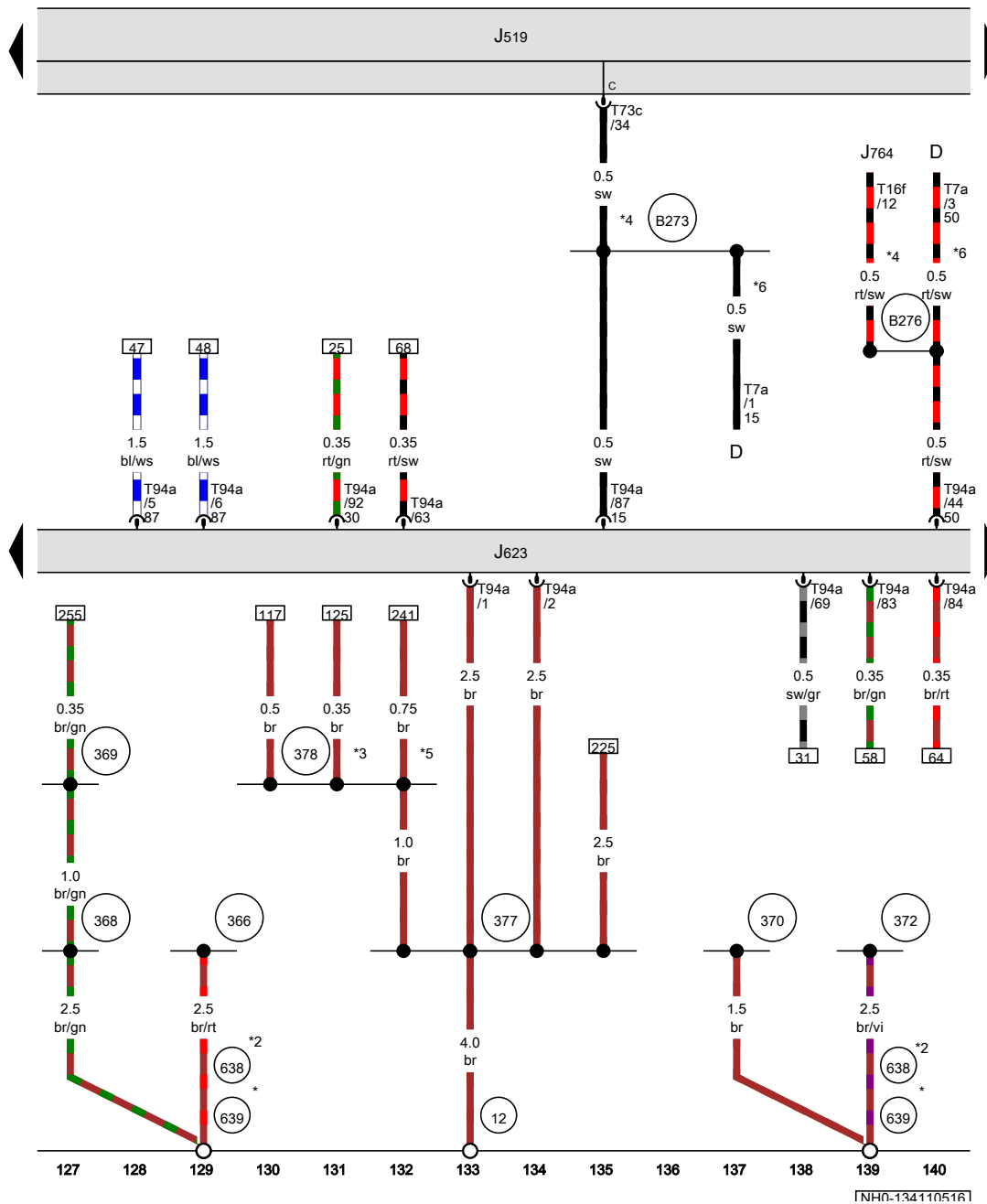
- * Only models with manual gearbox
- *2 Only models with automatic gearbox



- ws = white
- sw = black
- ro = red
- rt = red
- br = brown
- gn = green
- bl = blue
- gr = grey
- li = purple
- vi = purple
- ge = yellow
- or = orange
- rs = pink

113 114 115 116 117 118 119 120 121 122 123 124 125 126

[NH0-134100516]



Engine control unit

- D Ignition/starter switch
- J519 Onboard supply control unit
- J623 Engine control unit
- J764 Control unit for electronic steering column lock
- T7a 7-pin connector
- T16f 16-pin connector
- T73c 73-pin connector, black
- T94a 94-pin connector

- 12 Earth point, on left in engine compartment
- 366 Earth connection 1, in main wiring harness
- 368 Earth connection 3, in main wiring harness
- 369 Earth connection 4, in main wiring harness
- 370 Earth connection 5, in main wiring harness
- 372 Earth connection 7, in main wiring harness
- 377 Earth connection 12, in main wiring harness
- 378 Earth connection 13, in main wiring harness
- 638 Earth point, on right A-pillar
- 639 Earth point, left A-pillar
- B273 Positive connection (15), in main wiring harness
- B276 Positive connection (50), in main wiring harness

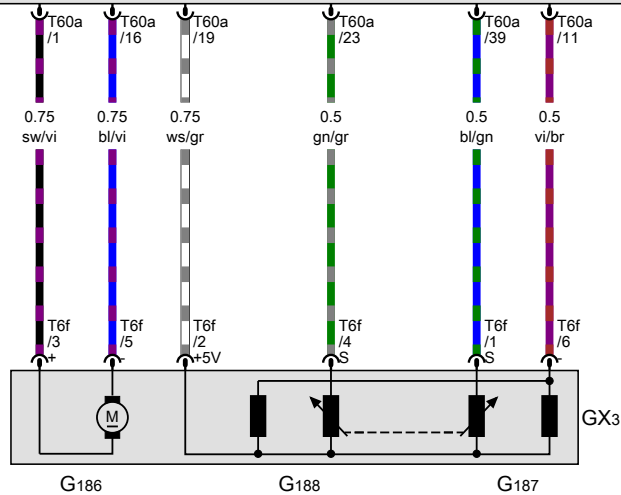
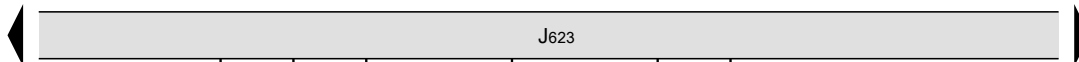
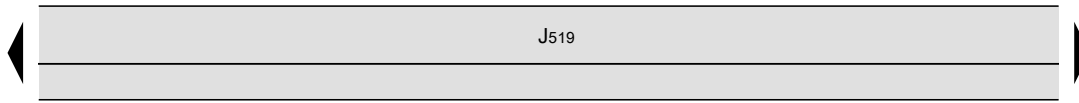
- ws = white
- sw = black
- ro = red
- rt = red
- br = brown
- gn = green
- bl = blue
- gr = grey
- li = purple
- vi = purple
- ge = yellow
- or = orange
- rs = pink

- * Only left-hand drive models
- *2 Only right-hand drive models
- *3 Only models with manual gearbox
- *4 Only models with entry and start authorisation
- *5 Only models with extended servicing intervals (ESI)
- *6 Only models with no entry and start authorisation

[NH0-134110516]

Throttle valve module, Engine control unit

- GX3 Throttle valve module
- G186 Throttle valve drive for electric throttle
- G187 Throttle valve drive angle sender 1 for electric throttle
- G188 Throttle valve drive angle sender 2 for electric throttle
- J519 Onboard supply control unit
- J623 Engine control unit
- T6f 6-pin connector
- T60a 60-pin connector



- ws = white
- sw = black
- ro = red
- rt = red
- br = brown
- gn = green
- bl = blue
- gr = grey
- li = purple
- vi = purple
- ge = yellow
- or = orange
- rs = pink

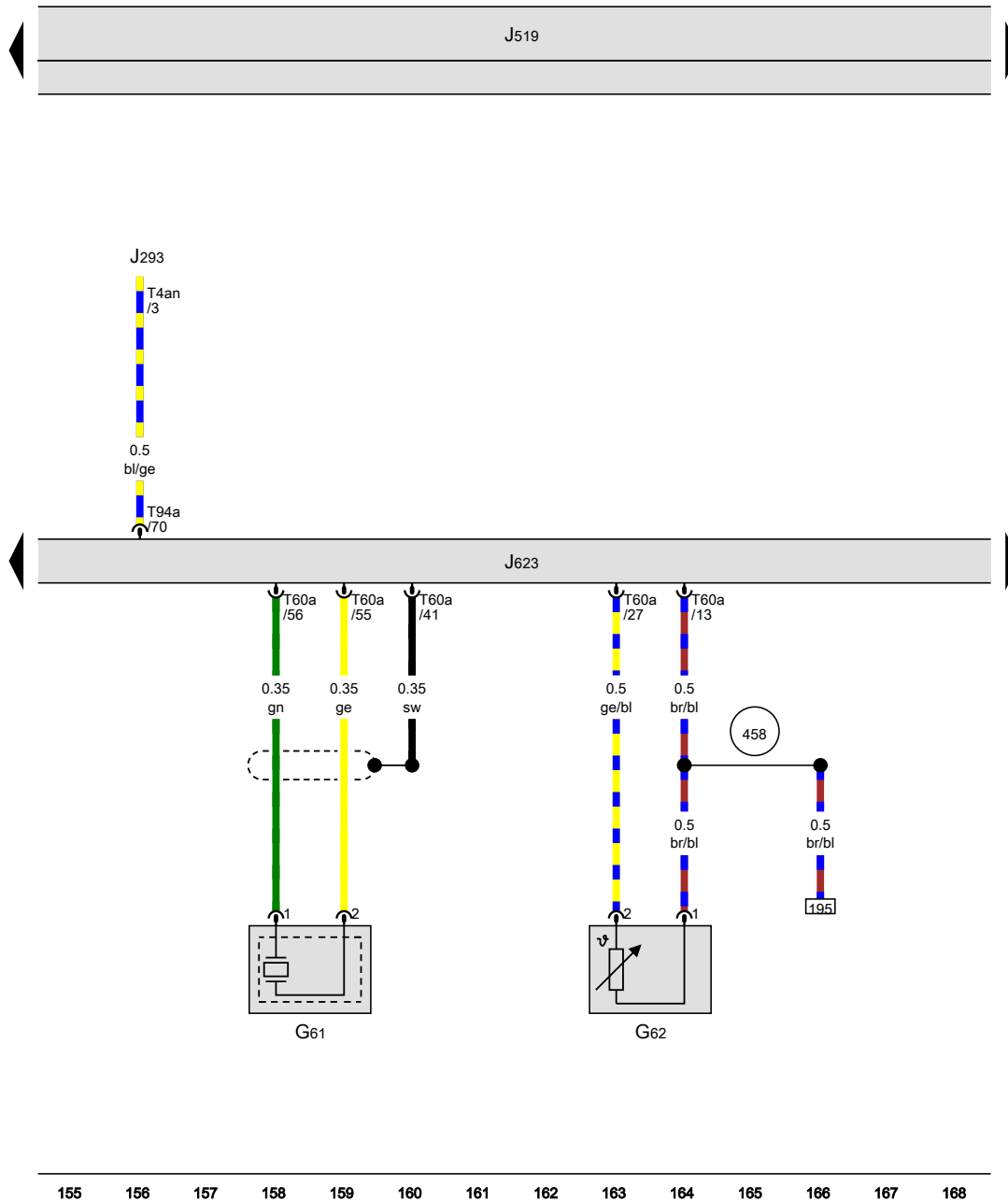
141 142 143 144 145 146 147 148 149 150 151 152 153 154

[NH0-134120516]

Knock sensor 1, Coolant temperature sender, Engine control unit

- G61 Knock sensor 1
- G62 Coolant temperature sender
- J293 Radiator fan control unit
- J519 Onboard supply control unit
- J623 Engine control unit
- T4an 4-pin connector
- T60a 60-pin connector
- T94a 94-pin connector

458 Earth point 3, engine prewiring harness



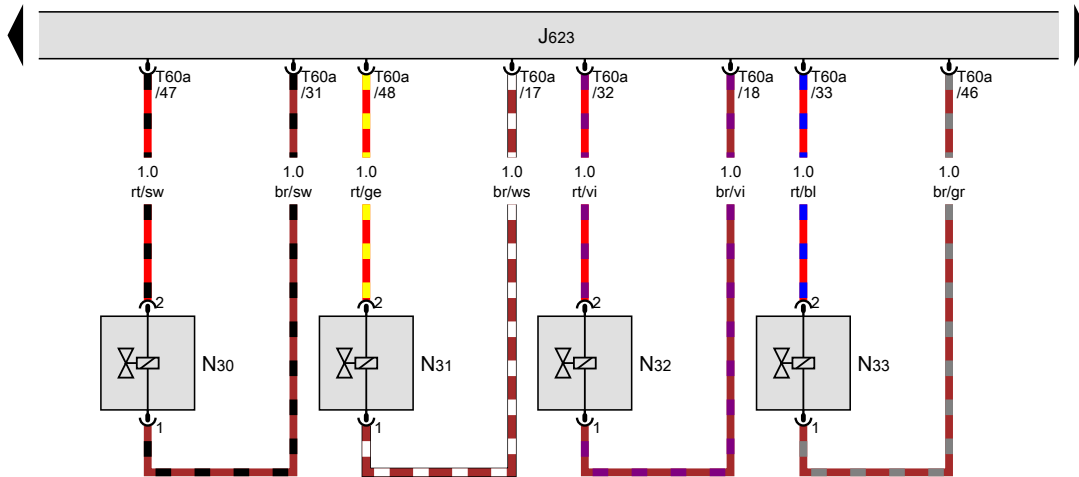
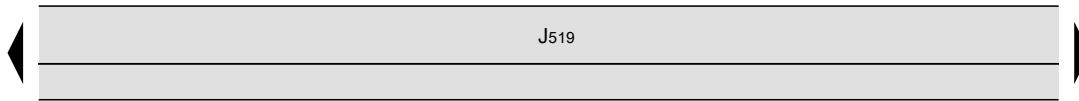
- ws = white
- sw = black
- ro = red
- rt = red
- br = brown
- gn = green
- bl = blue
- gr = grey
- li = purple
- vi = purple
- ge = yellow
- or = orange
- rs = pink

155 156 157 158 159 160 161 162 163 164 165 166 167 168

[NH0-134130516]

Engine control unit, Injector, cylinder 1, Injector, cylinder 2, Injector, cylinder 3, Injector, cylinder 4

- J519 Onboard supply control unit
- J623 Engine control unit
- N30 Injector, cylinder 1
- N31 Injector, cylinder 2
- N32 Injector, cylinder 3
- N33 Injector, cylinder 4
- T60a 60-pin connector



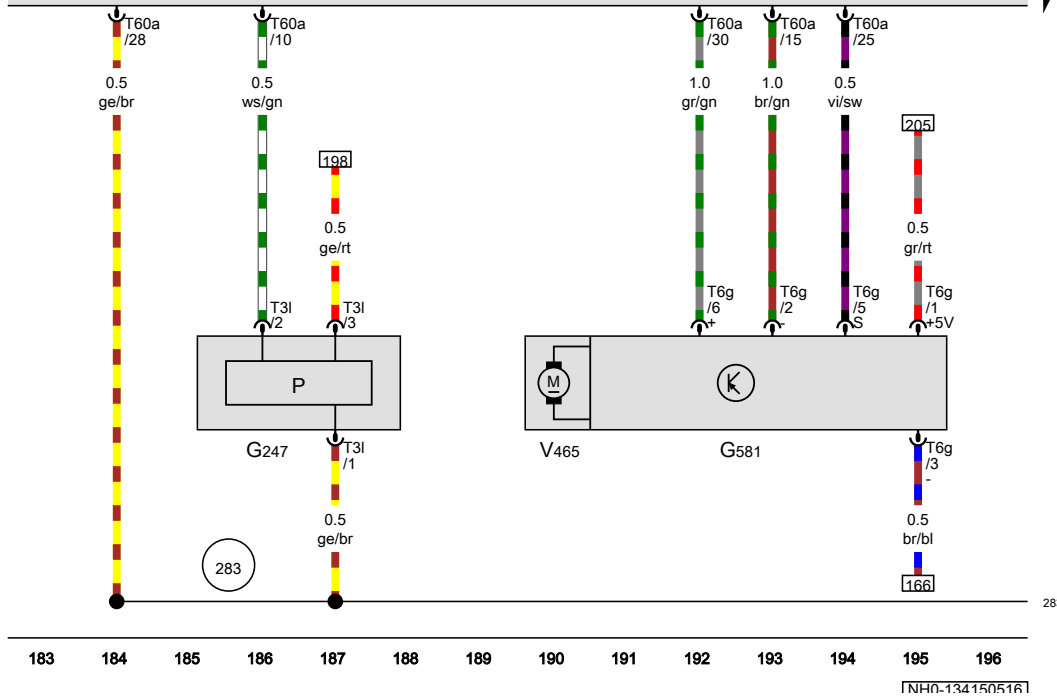
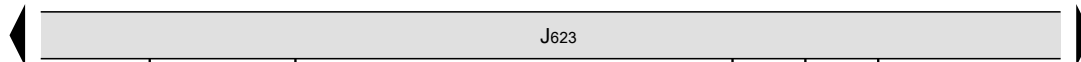
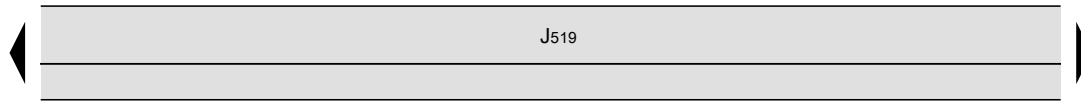
- ws = white
- sw = black
- ro = red
- rt = red
- br = brown
- gn = green
- bl = blue
- gr = grey
- li = purple
- vi = purple
- ge = yellow
- or = orange
- rs = pink

169 170 171 172 173 174 175 176 177 178 179 180 181 182

[NH0-134140516]

Fuel pressure sender, Position sender for charge pressure positioner, Engine control unit, Charge pressure positioner

- G247 Fuel pressure sender
- G581 Position sender for charge pressure positioner
- J519 Onboard supply control unit
- J623 Engine control unit
- T3I 3-pin connector
- T6g 6-pin connector
- T60a 60-pin connector
- V465 Charge pressure positioner
- 283 Earth point 2, engine prewiring harness



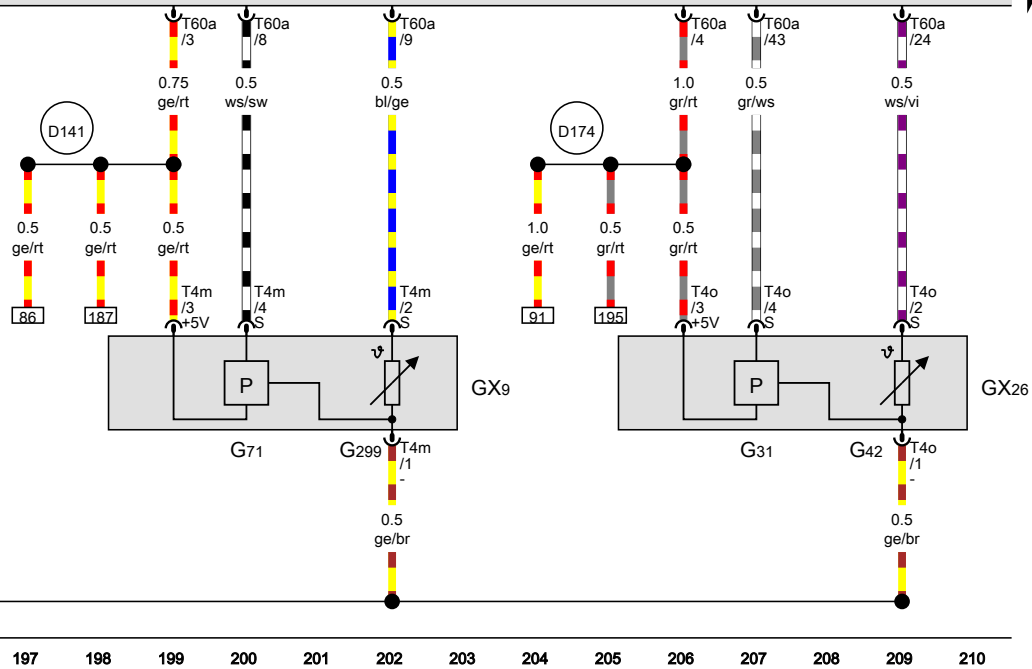
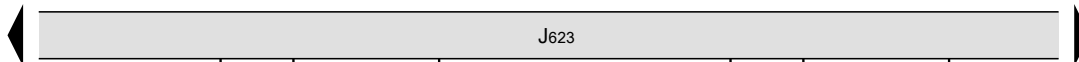
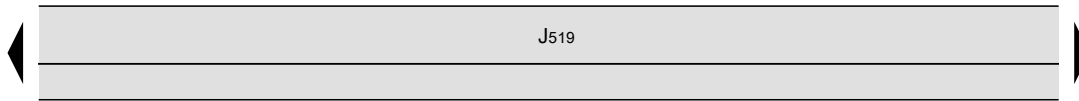
- ws = white
- sw = black
- ro = red
- rt = red
- br = brown
- gn = green
- bl = blue
- gr = grey
- li = purple
- vi = purple
- ge = yellow
- or = orange
- rs = pink

[NH0-134150516]

Intake manifold sender, Charge pressure sender, Engine control unit

- GX9 Intake manifold sender
- GX26 Charge pressure sender
- G31 Charge pressure sender
- G42 Intake air temperature sender
- G71 Intake manifold pressure sender
- G299 Intake air temperature sender 2
- J519 Onboard supply control unit
- J623 Engine control unit
- T4m 4-pin connector
- T4o 4-pin connector
- T60a 60-pin connector

- 283 Earth point 2, engine prewiring harness
- D141 Connection (5V) in engine prewiring harness
- D174 Connection 2 (5V) in engine prewiring harness



- ws = white
- sw = black
- ro = red
- rt = red
- br = brown
- gn = green
- bl = blue
- gr = grey
- li = purple
- vi = purple
- ge = yellow
- or = orange
- rs = pink

283

197 198 199 200 201 202 203 204 205 206 207 208 209 210

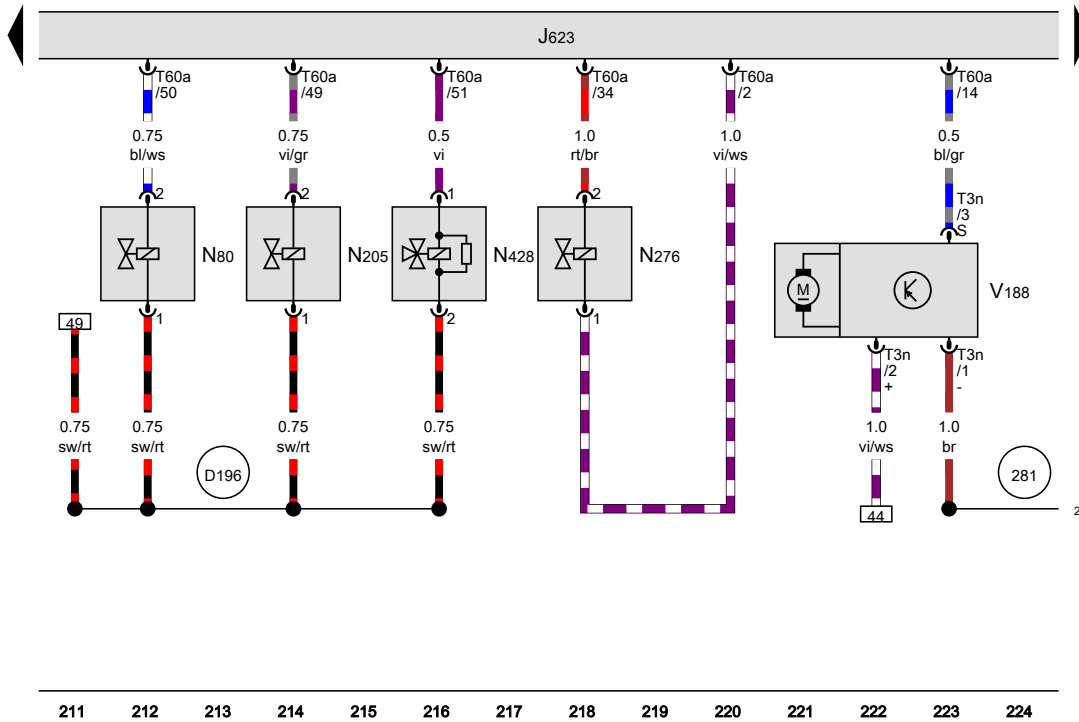
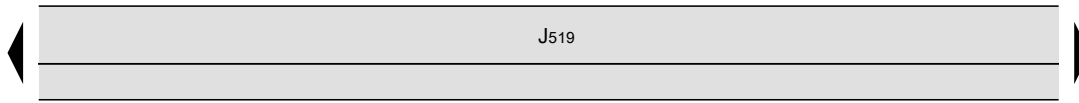
[NHN-134160516]

Engine control unit, Activated charcoal filter solenoid valve 1, Camshaft control valve 1, Fuel pressure regulating valve, Valve for oil pressure control, Charge air cooling pump

- J519 Onboard supply control unit
- J623 Engine control unit
- N80 Activated charcoal filter solenoid valve 1
- N205 Camshaft control valve 1
- N276 Fuel pressure regulating valve
- N428 Valve for oil pressure control
- T3n 3-pin connector
- T60a 60-pin connector
- V188 Charge air cooling pump

281 Earth point 1, engine prewiring harness

D196 Connection 2 (87a) in engine prewiring harness



- ws = white
- sw = black
- ro = red
- rt = red
- br = brown
- gn = green
- bl = blue
- gr = grey
- li = purple
- vi = purple
- ge = yellow
- or = orange
- rs = pink

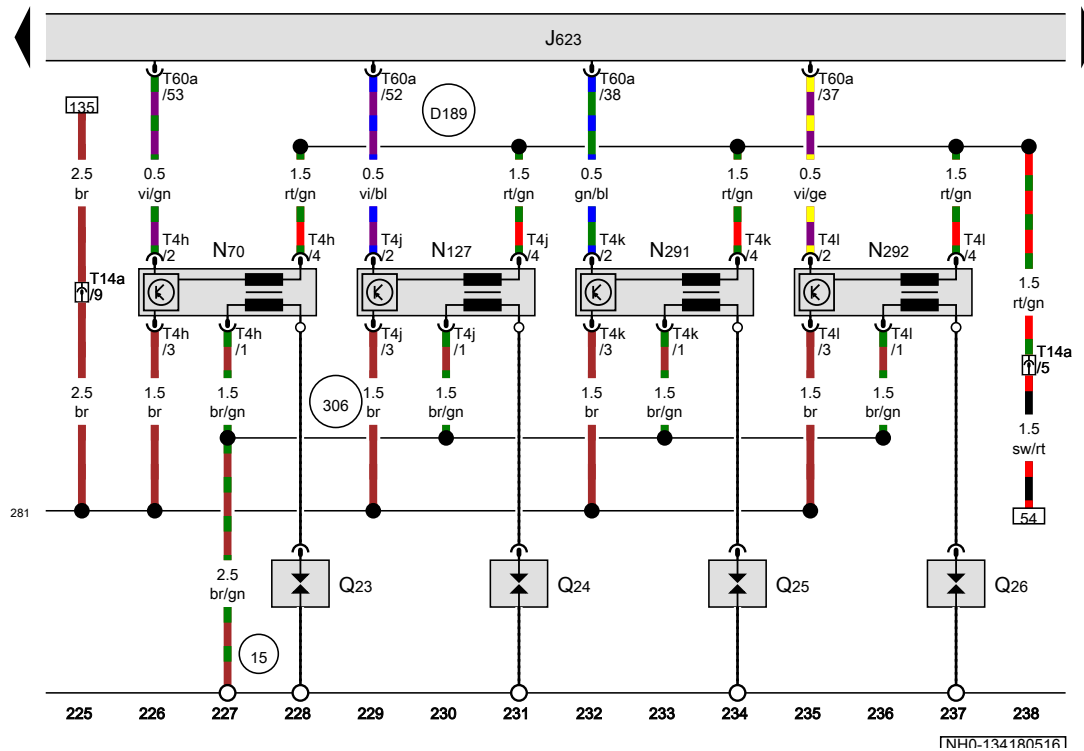
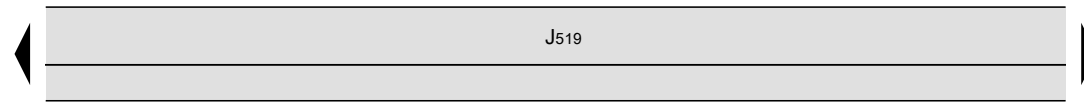
211 212 213 214 215 216 217 218 219 220 221 222 223 224

[NH0-134170516]

Engine control unit, Ignition coil 1 with output stage, Ignition coil 2 with output stage, Ignition coil 3 with output stage, Ignition coil 4 with output stage

- J519 Onboard supply control unit
- J623 Engine control unit
- N70 Ignition coil 1 with output stage
- N127 Ignition coil 2 with output stage
- N291 Ignition coil 3 with output stage
- N292 Ignition coil 4 with output stage
- Q23 Spark plug 1
- Q24 Spark plug 2
- Q25 Spark plug 3
- Q26 Spark plug 4
- T4h 4-pin connector
- T4j 4-pin connector
- T4k 4-pin connector
- T4l 4-pin connector
- T14a 14-pin connector, front left in engine compartment
- T60a 60-pin connector

- 15 Earth point, on cylinder head
- 281 Earth point 1, engine prewiring harness
- 306 Earth connection (ignition coils), in engine prewiring harness
- D189 Connection (87a) in engine prewiring harness

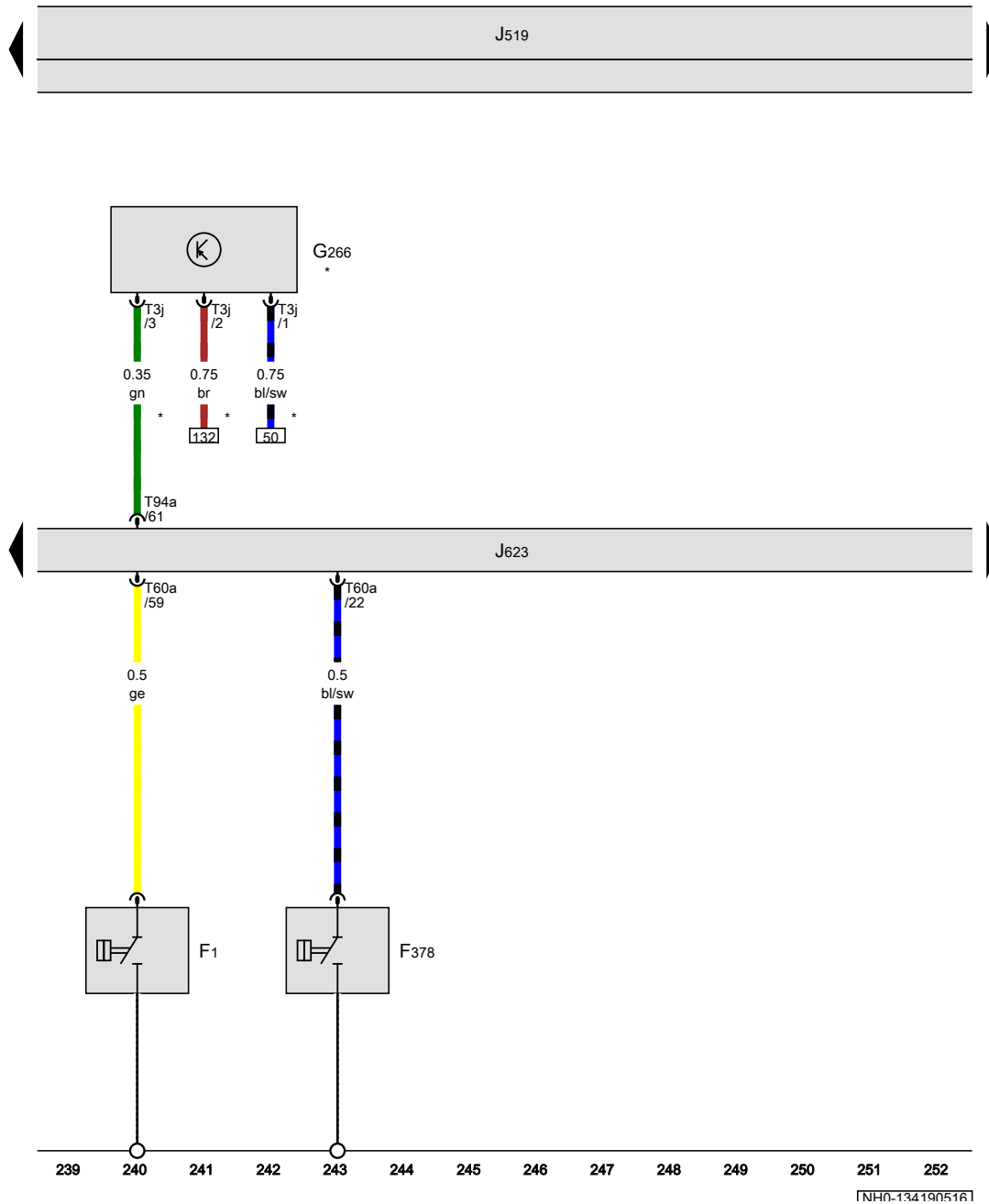


- ws = white
- sw = black
- ro = red
- rt = red
- br = brown
- gn = green
- bl = blue
- gr = grey
- li = purple
- vi = purple
- ge = yellow
- or = orange
- rs = pink

[NHN-134180516]

Oil pressure switch, Oil pressure switch for reduced oil pressure, Oil level and oil temperature sender, Engine control unit

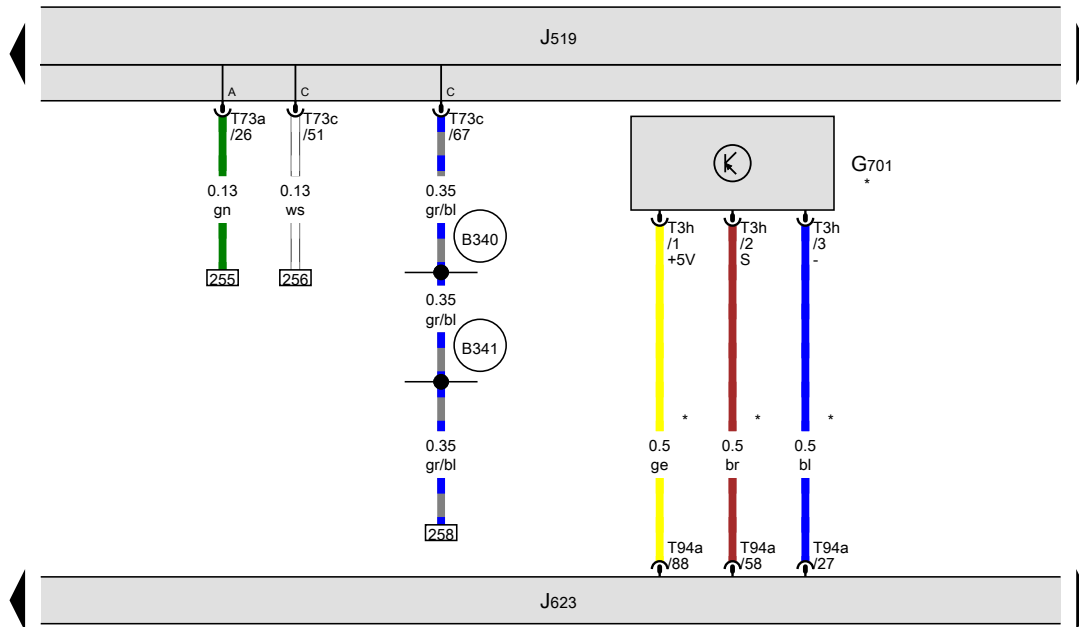
- F1 Oil pressure switch
- F378 Oil pressure switch for reduced oil pressure
- G266 Oil level and oil temperature sender
- J519 Onboard supply control unit
- J623 Engine control unit
- T3j 3-pin connector
- T60a 60-pin connector
- T94a 94-pin connector
- * Only models with extended servicing intervals (ESI)



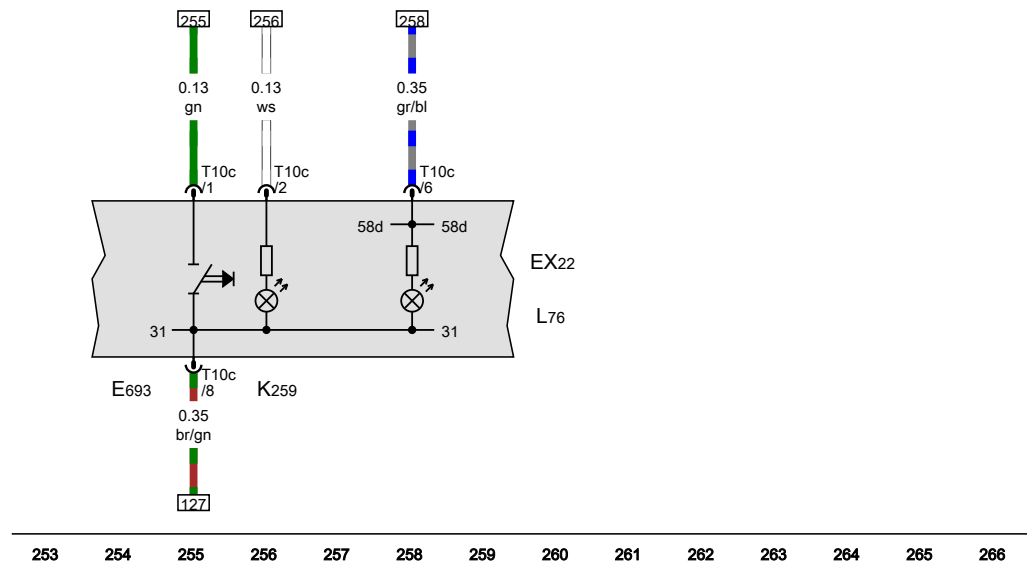
- ws = white
- sw = black
- ro = red
- rt = red
- br = brown
- gn = green
- bl = blue
- gr = grey
- li = purple
- vi = purple
- ge = yellow
- or = orange
- rs = pink

[NH0-134190516]

Centre switch module in dash panel, Start/Stop operation button, Gearbox neutral position sender, Engine control unit



- EX22 Centre switch module in dash panel
 - E693 Start/Stop operation button
 - G701 Gearbox neutral position sender
 - J519 Onboard supply control unit
 - J623 Engine control unit
 - K259 Start/Stop operation warning lamp
 - L76 Button illumination bulb
 - T3h 3-pin connector
 - T10c 10-pin connector, black
 - T73a 73-pin connector, black
 - T73c 73-pin connector, black
 - T94a 94-pin connector
- B340 Connection 1 (58d), in main wiring harness
B341 Connection 2 (58d), in main wiring harness
 * Only models with manual gearbox



- ws = white
- sw = black
- ro = red
- rt = red
- br = brown
- gn = green
- bl = blue
- gr = grey
- li = purple
- vi = purple
- ge = yellow
- or = orange
- rs = pink

1NH0-1342005161

Fuel delivery unit, Fuel pump control unit, Engine control unit

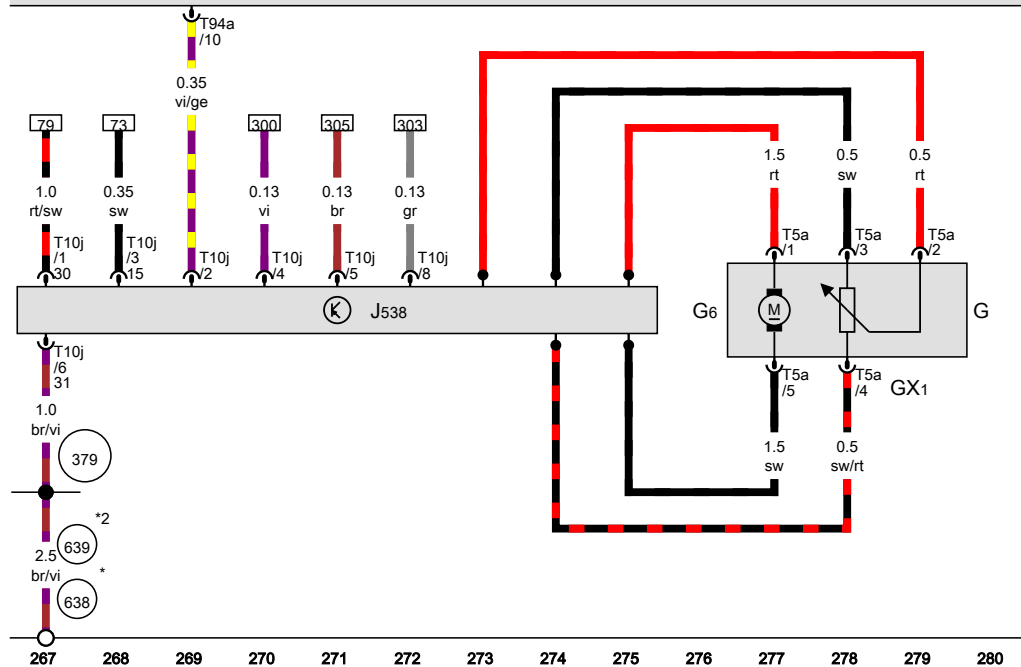
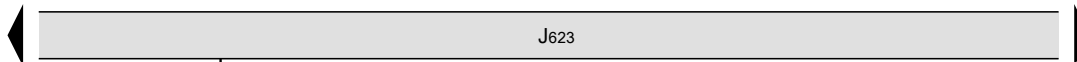
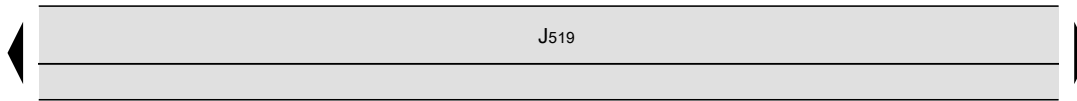
- G Fuel gauge sender
- GX1 Fuel delivery unit
- G6 Fuel system pressurisation pump
- J519 Onboard supply control unit
- J538 Fuel pump control unit
- J623 Engine control unit
- T5a 5-pin connector
- T10j 10-pin connector
- T94a 94-pin connector

379 Earth connection 14, in main wiring harness

638 Earth point, on right A-pillar

639 Earth point, left A-pillar

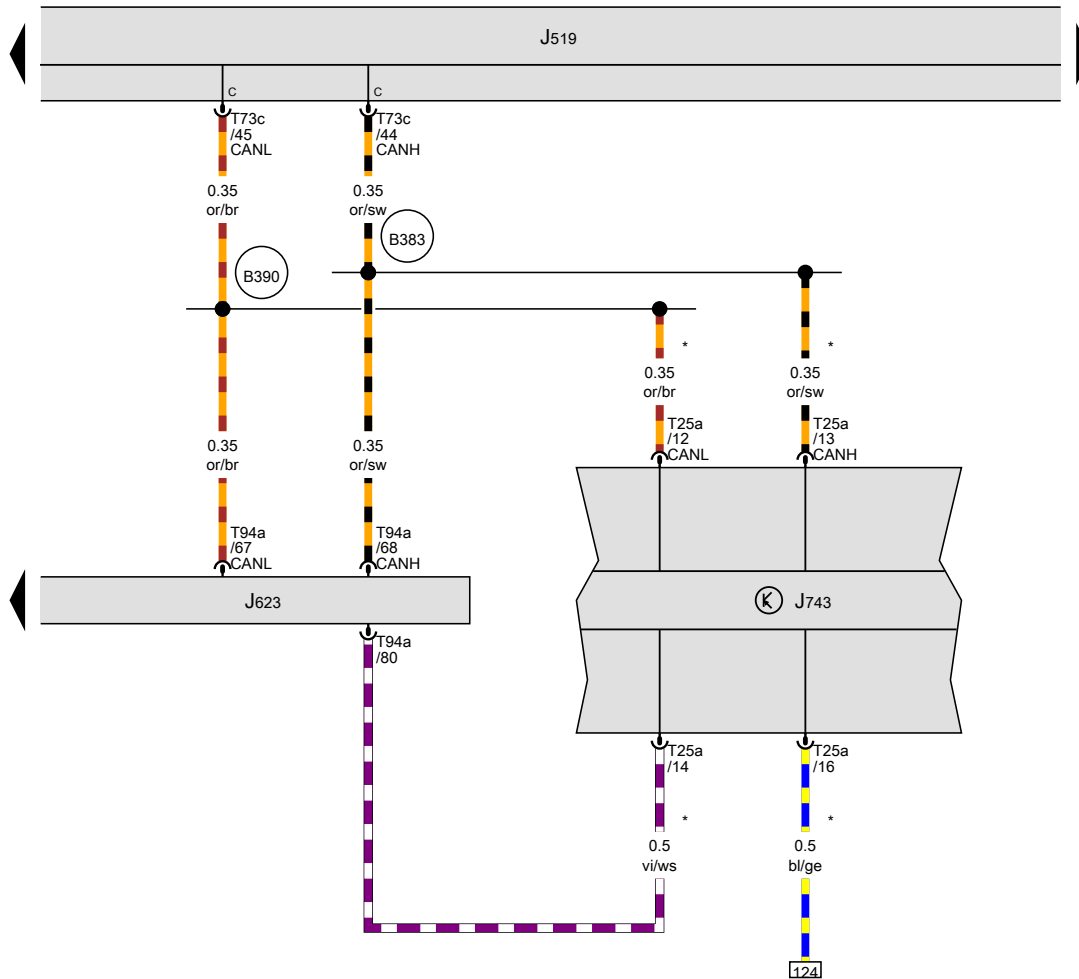
- * Only left-hand drive models
- *2 Only right-hand drive models



- ws = white
- sw = black
- ro = red
- rt = red
- br = brown
- gn = green
- bl = blue
- gr = grey
- li = purple
- vi = purple
- ge = yellow
- or = orange
- rs = pink

[NH0-134210516]

Engine control unit, Mechatronic unit for dual clutch gearbox



- J519 Onboard supply control unit
- J623 Engine control unit
- J743 Mechatronic unit for dual clutch gearbox
- T25a 25-pin connector
- T73c 73-pin connector, black
- T94a 94-pin connector

B383 Connection 1 (powertrain CAN bus, high), in main wiring harness

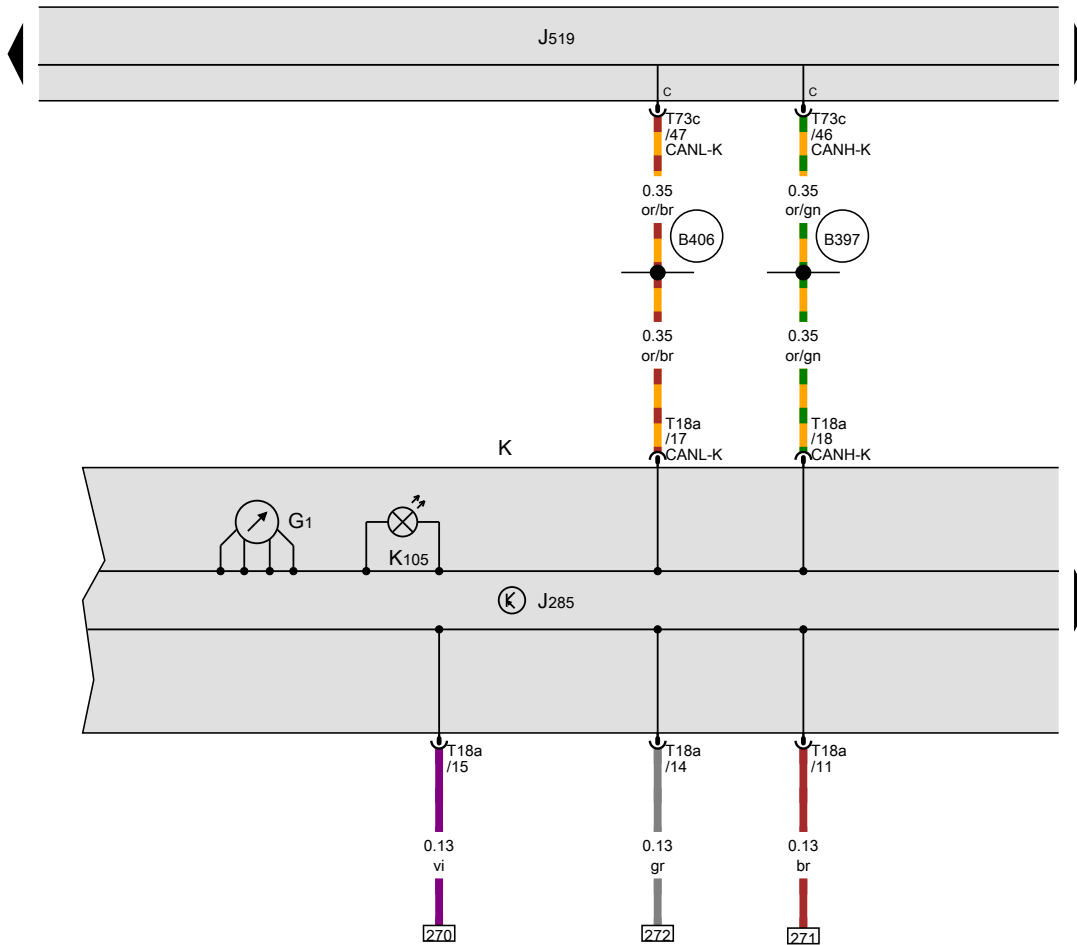
B390 Connection 1 (powertrain CAN bus, low), in main wiring harness

* Only models with automatic gearbox

- ws = white
- sw = black
- ro = red
- rt = red
- br = brown
- gn = green
- bl = blue
- gr = grey
- li = purple
- vi = purple
- ge = yellow
- or = orange
- rs = pink

Fuel gauge, Dash panel insert

- G1 Fuel gauge
- J285 Control unit in dash panel insert
- J519 Onboard supply control unit
- K Dash panel insert
- K105 Reserve fuel warning lamp
- T18a 18-pin connector
- T73c 73-pin connector, black
- B397** Connection 1 (convenience CAN bus, high), in main wiring harness
- B406** Connection 1 (convenience CAN bus, low), in main wiring harness



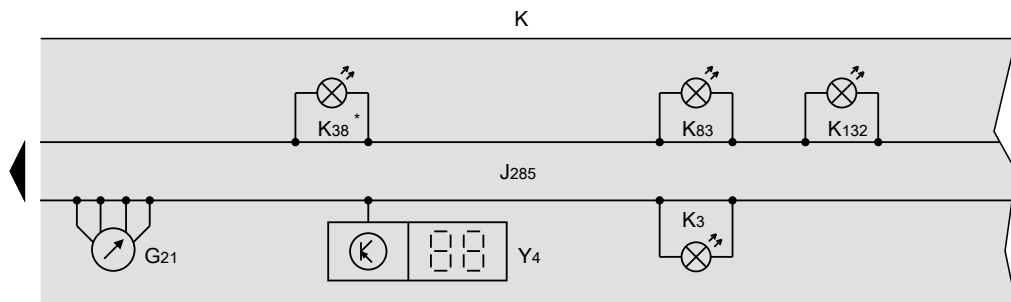
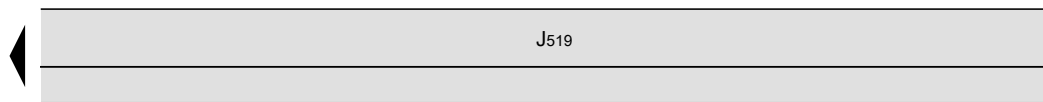
- ws = white
- sw = black
- ro = red
- rt = red
- br = brown
- gn = green
- bl = blue
- gr = grey
- li = purple
- vi = purple
- ge = yellow
- or = orange
- rs = pink

295 296 297 298 299 300 301 302 303 304 305 306 307 308

[NH0-134230516]

Speedometer, Dash panel insert, Trip counter

- G21 Speedometer
- J285 Control unit in dash panel insert
- J519 Onboard supply control unit
- K Dash panel insert
- K3 Oil pressure warning lamp
- K38 Oil level warning lamp
- K83 Exhaust emissions warning lamp
- K132 Electronic power control fault lamp
- Y4 Trip counter
- * Only models with extended servicing intervals (ESI)



- ws = white
- sw = black
- ro = red
- rt = red
- br = brown
- gn = green
- bl = blue
- gr = grey
- li = purple
- vi = purple
- ge = yellow
- or = orange
- rs = pink

309 310 311 312 313 314 315 316 317 318 319 320 321 322

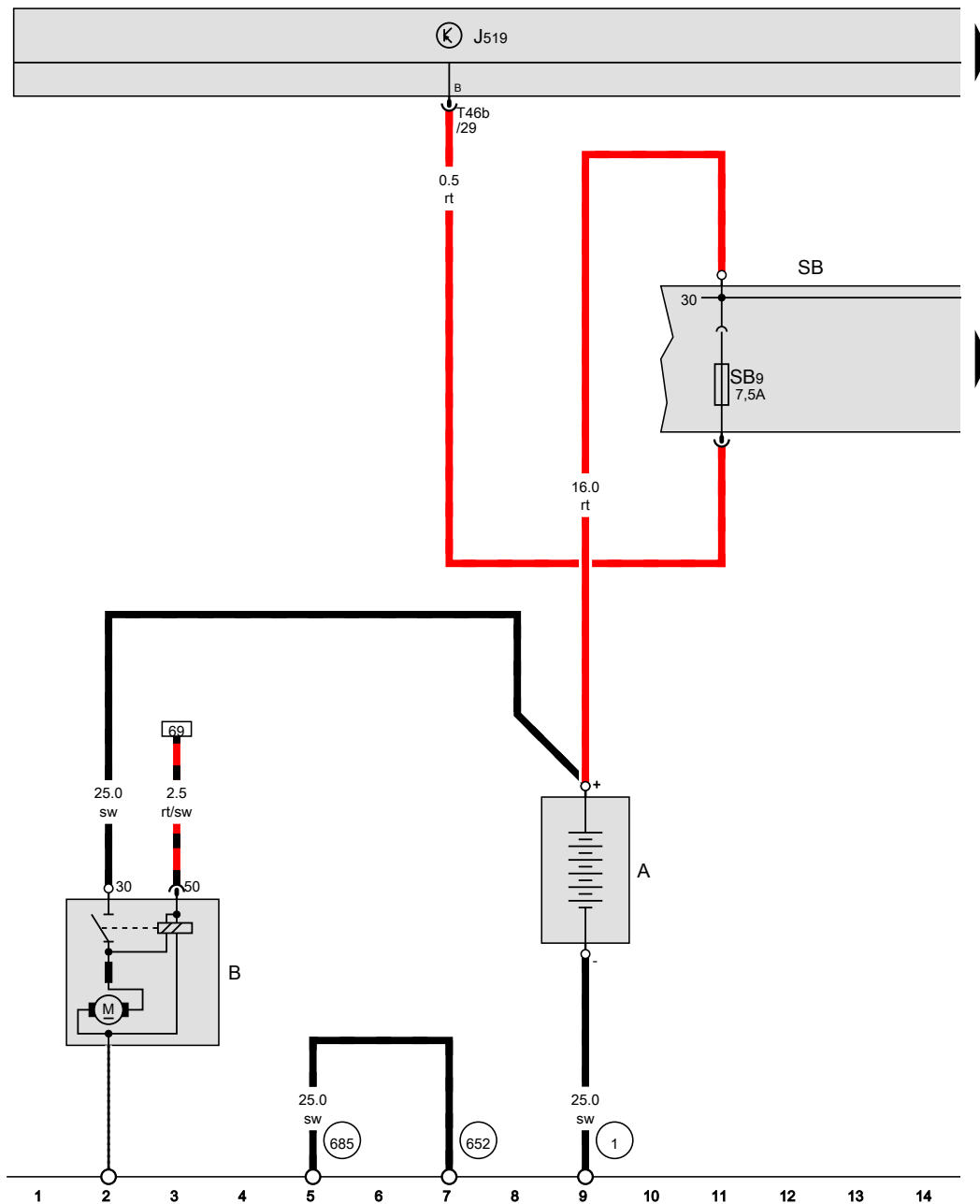
[NH0-134240516]

1.6l petrol engine , CWVB,CWVA,(7L3)

From May 2016

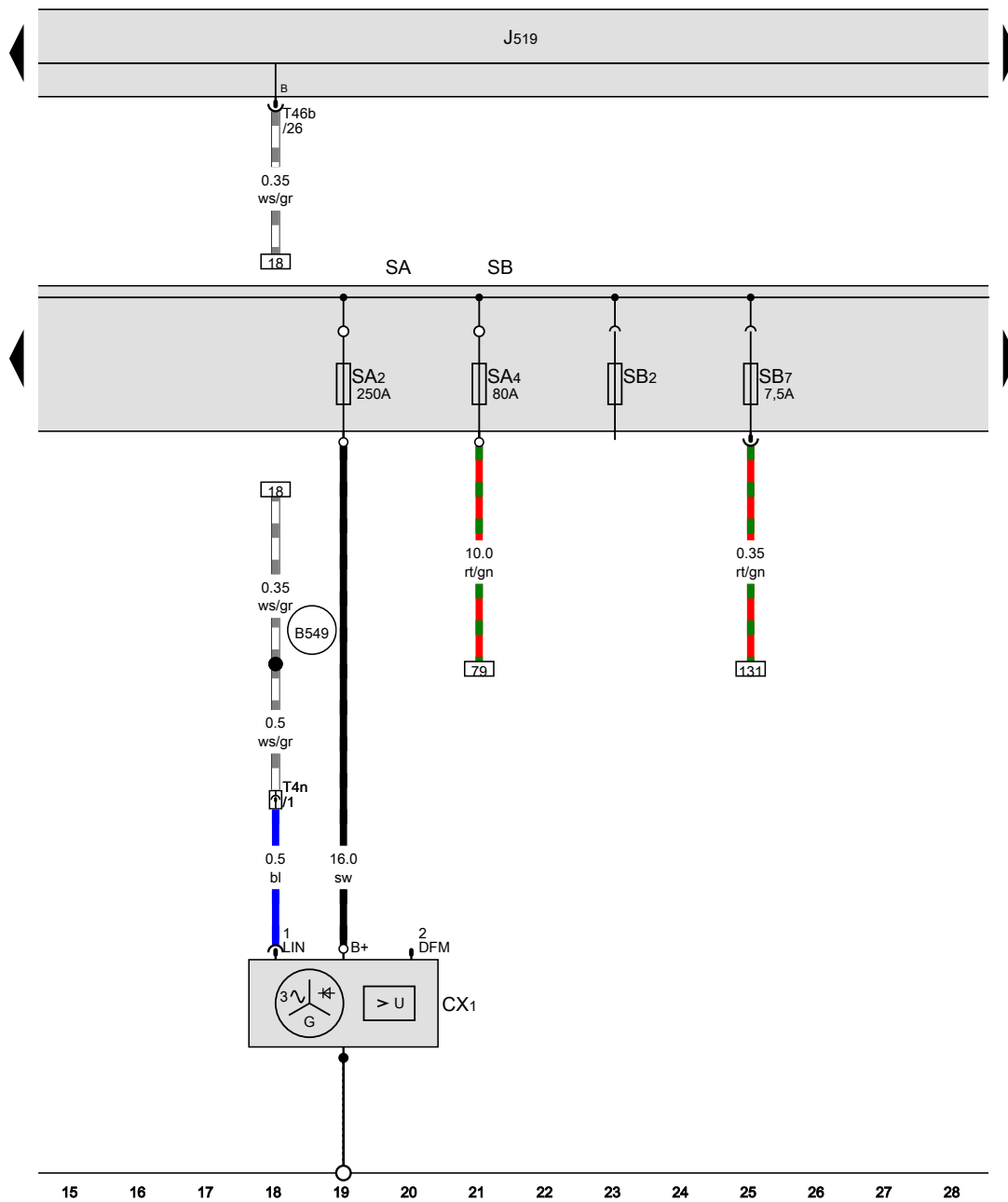
Battery, Starter, Fuse holder B

- A Battery
- B Starter
- J519 Onboard supply control unit
- SB Fuse holder B
- SB9 Fuse 9 on fuse holder B
- T46b 46-pin connector, brown
- 1 Earth strap, battery - body
- 652 Earth point, engine and gearbox earth
- 685 Earth point 1 at front of right longitudinal member



- ws = white
- sw = black
- ro = red
- rt = red
- br = brown
- gn = green
- bl = blue
- gr = grey
- li = purple
- vi = purple
- ge = yellow
- or = orange
- rs = pink

[NH0-135020516]



Alternator with voltage regulator, Fuse holder A, Fuse holder B

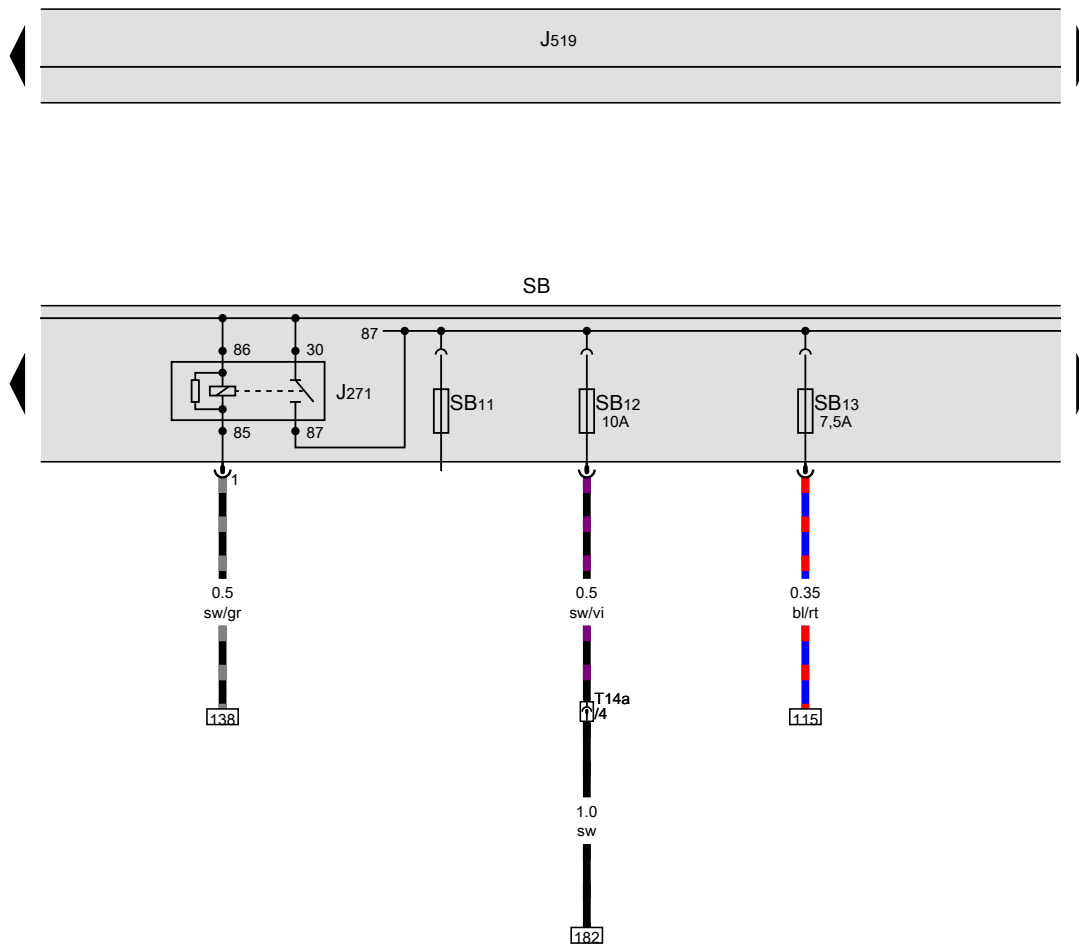
- CX1 Alternator with voltage regulator
- J519 Onboard supply control unit
- SA Fuse holder A
- SA2 Fuse 2 in fuse holder A
- SB2 Fuse 2 on fuse holder B
- SA4 Fuse 4 in fuse holder A
- SB Fuse holder B
- SB7 Fuse 7 on fuse holder B
- T4n 4-pin connector, front left in engine compartment
- T46b 46-pin connector, brown

B549 Connection 2 (LIN bus) in main wiring harness

- ws = white
- sw = black
- ro = red
- rt = red
- br = brown
- gn = green
- bl = blue
- gr = grey
- li = purple
- vi = purple
- ge = yellow
- or = orange
- rs = pink

Main relay, Fuse holder B

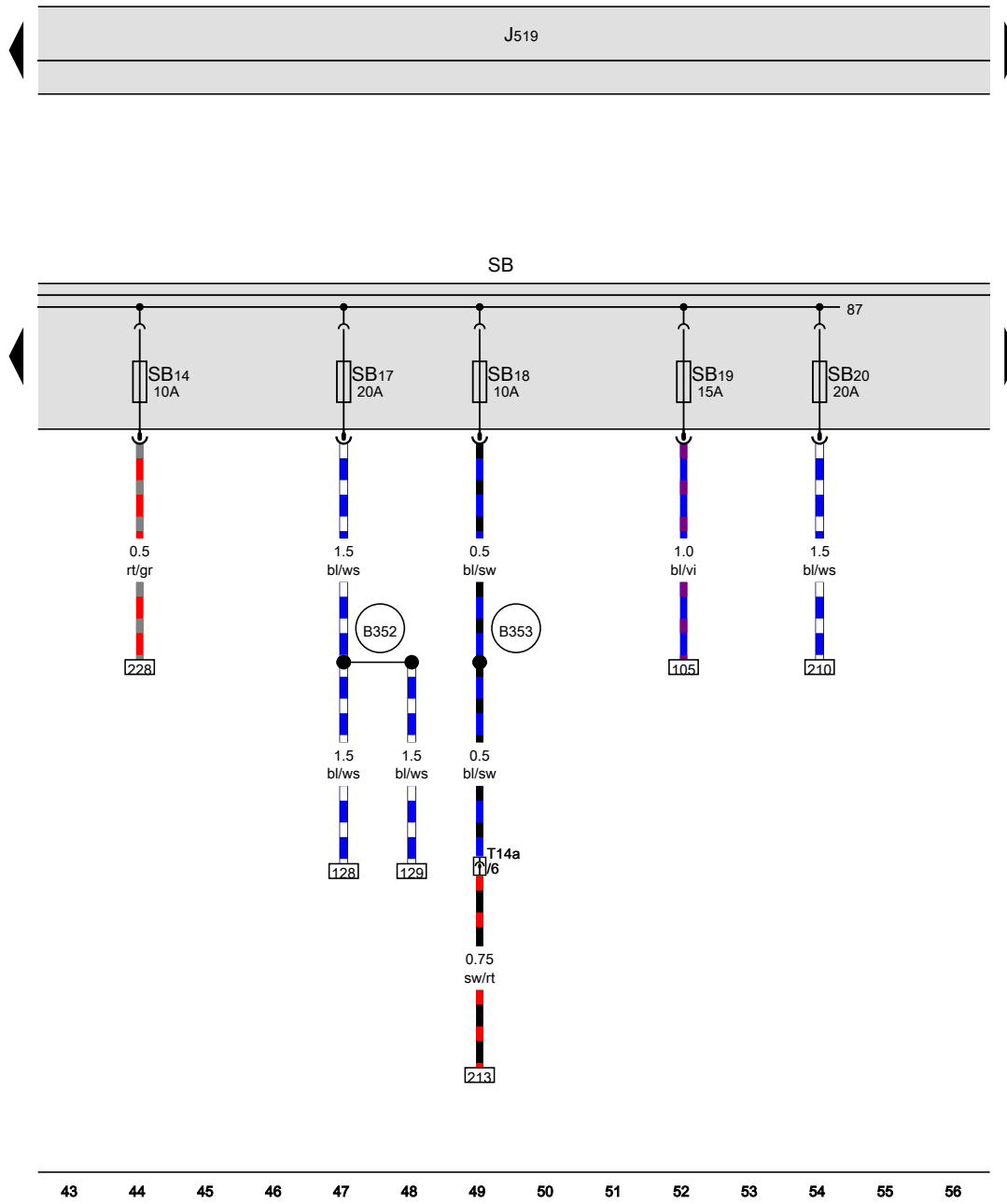
- J271 Main relay
- J519 Onboard supply control unit
- SB Fuse holder B
- SB11 Fuse 11 on fuse holder B
- SB12 Fuse 12 on fuse holder B
- SB13 Fuse 13 on fuse holder B
- T14a 14-pin connector, front left in engine compartment



- ws = white
- sw = black
- ro = red
- rt = red
- br = brown
- gn = green
- bl = blue
- gr = grey
- li = purple
- vi = purple
- ge = yellow
- or = orange
- rs = pink

29 30 31 32 33 34 35 36 37 38 39 40 41 42

[NH0-135040516]



Fuse holder B

- J519 Onboard supply control unit
- SB Fuse holder B
- SB14 Fuse 14 on fuse holder B
- SB17 Fuse 17 on fuse holder B
- SB18 Fuse 18 on fuse holder B
- SB19 Fuse 19 on fuse holder B
- SB20 Fuse 20 on fuse holder B
- T14a 14-pin connector, front left in engine compartment

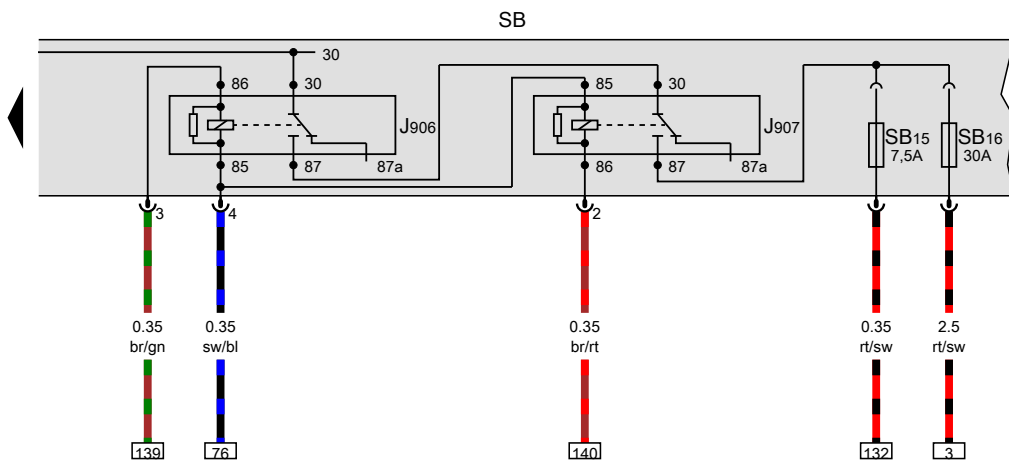
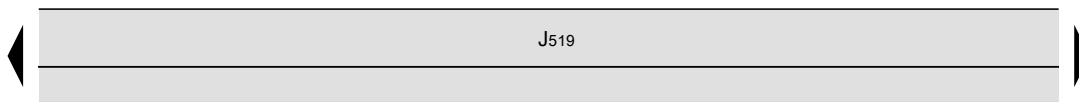
B352 Positive connection 3 (87a) in main wiring harness

B353 Positive connection 4 (87a) in main wiring harness

- ws = white
- sw = black
- ro = red
- rt = red
- br = brown
- gn = green
- bl = blue
- gr = grey
- li = purple
- vi = purple
- ge = yellow
- or = orange
- rs = pink

Starter relay 1, Starter relay 2, Fuse holder B

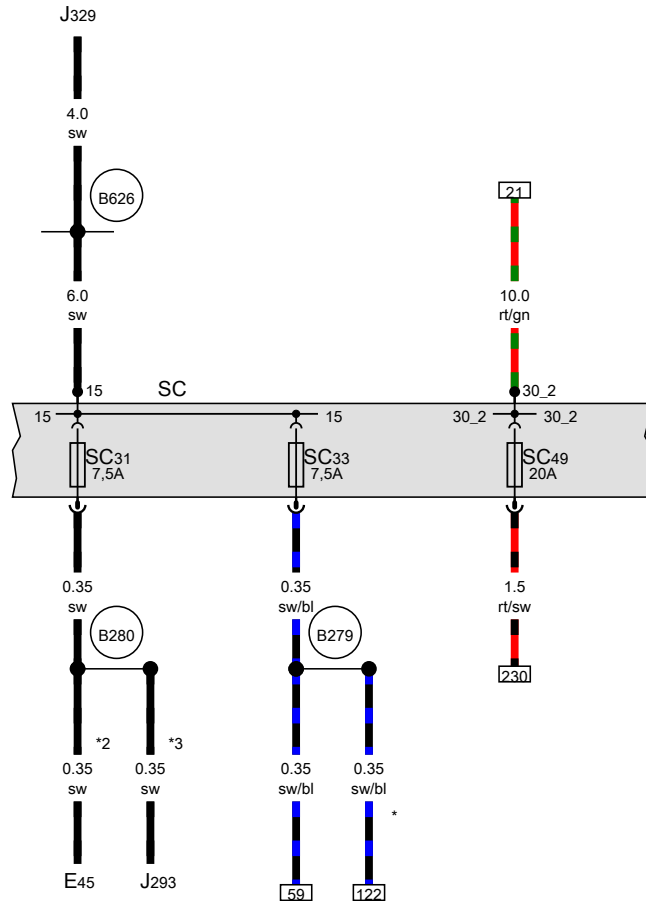
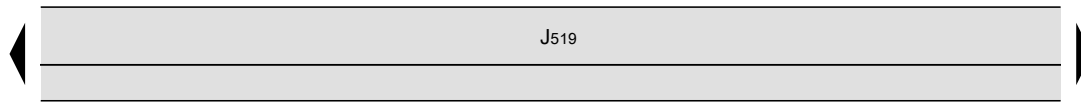
- J519 Onboard supply control unit
- J906 Starter relay 1
- J907 Starter relay 2
- SB Fuse holder B
- SB15 Fuse 15 on fuse holder B
- SB16 Fuse 16 on fuse holder B



- ws = white
- sw = black
- ro = red
- rt = red
- br = brown
- gn = green
- bl = blue
- gr = grey
- li = purple
- vi = purple
- ge = yellow
- or = orange
- rs = pink

57 58 59 60 61 62 63 64 65 66 67 68 69 70

[NH0-135060516]



Fuse holder C

- E45 Cruise control system switch
- J293 Radiator fan control unit
- J329 Terminal 15 voltage supply relay
- J519 Onboard supply control unit
- SC Fuse holder C
- SC31 Fuse 31 on fuse holder C
- SC33 Fuse 33 on fuse holder C
- SC49 Fuse 49 on fuse holder C

B279 Positive connection 3 (15a) in main wiring harness

B280 Positive connection 4 (15a) in main wiring harness

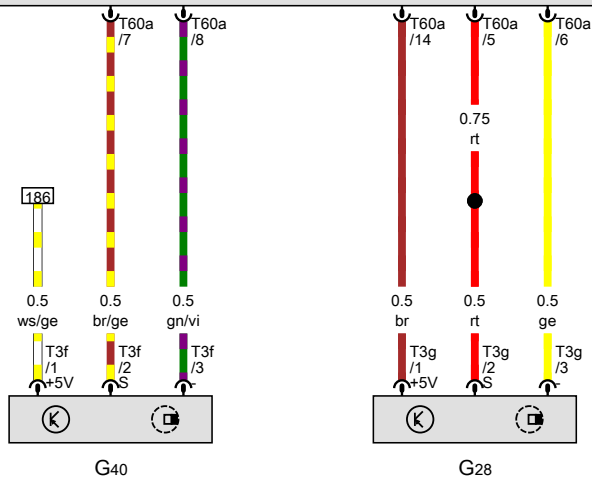
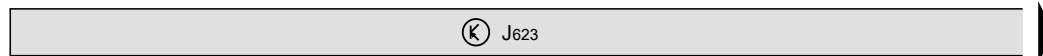
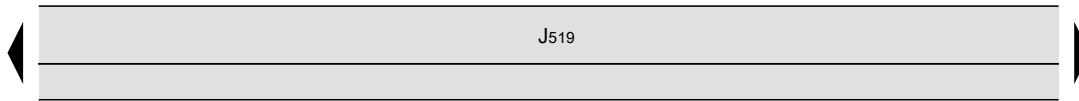
B626 Positive connection 2 (15), in main wiring harness

- * Only models with manual gearbox
- *2 Only models with cruise control system (CCS)
- *3 Only models with air conditioning system/ Climatronic

- ws = white
- sw = black
- ro = red
- rt = red
- br = brown
- gn = green
- bl = blue
- gr = grey
- li = purple
- vi = purple
- ge = yellow
- or = orange
- rs = pink

Engine speed sender, Hall sender, Engine control unit

- G28 Engine speed sender
- G40 Hall sender
- J519 Onboard supply control unit
- J623 Engine control unit
- T3f 3-pin connector
- T3g 3-pin connector
- T60a 60-pin connector



- ws = white
- sw = black
- ro = red
- rt = red
- br = brown
- gn = green
- bl = blue
- gr = grey
- li = purple
- vi = purple
- ge = yellow
- or = orange
- rs = pink

85 86 87 88 89 90 91 92 93 94 95 96 97 98

[NH0-135080516]

Lambda probe 1 after catalytic converter, Lambda probe 1 before catalytic converter, Engine control unit

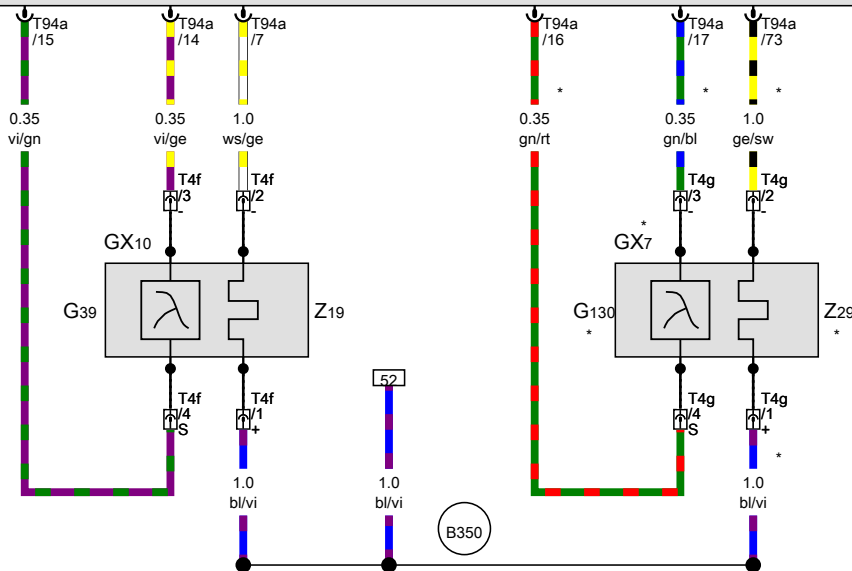
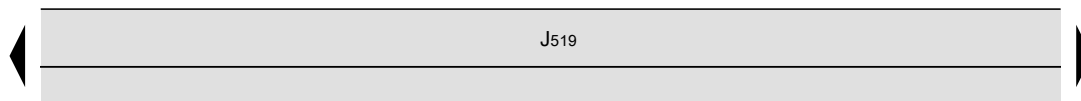
- GX7 Lambda probe 1 after catalytic converter
- GX10 Lambda probe 1 before catalytic converter
- G39 Lambda probe
- G130 Lambda probe after catalytic converter
- J519 Onboard supply control unit
- J623 Engine control unit
- T4f 4-pin connector, brown
- T4g 4-pin connector, black
- T94a 94-pin connector
- Z19 Lambda probe heater
- Z29 Lambda probe 1 heater after catalytic converter

B350 Positive connection 1 (87a) in main wiring harness

B441 Connection (CCS), in main wiring harness

* According to equipment

*2 Only models with cruise control system (CCS)



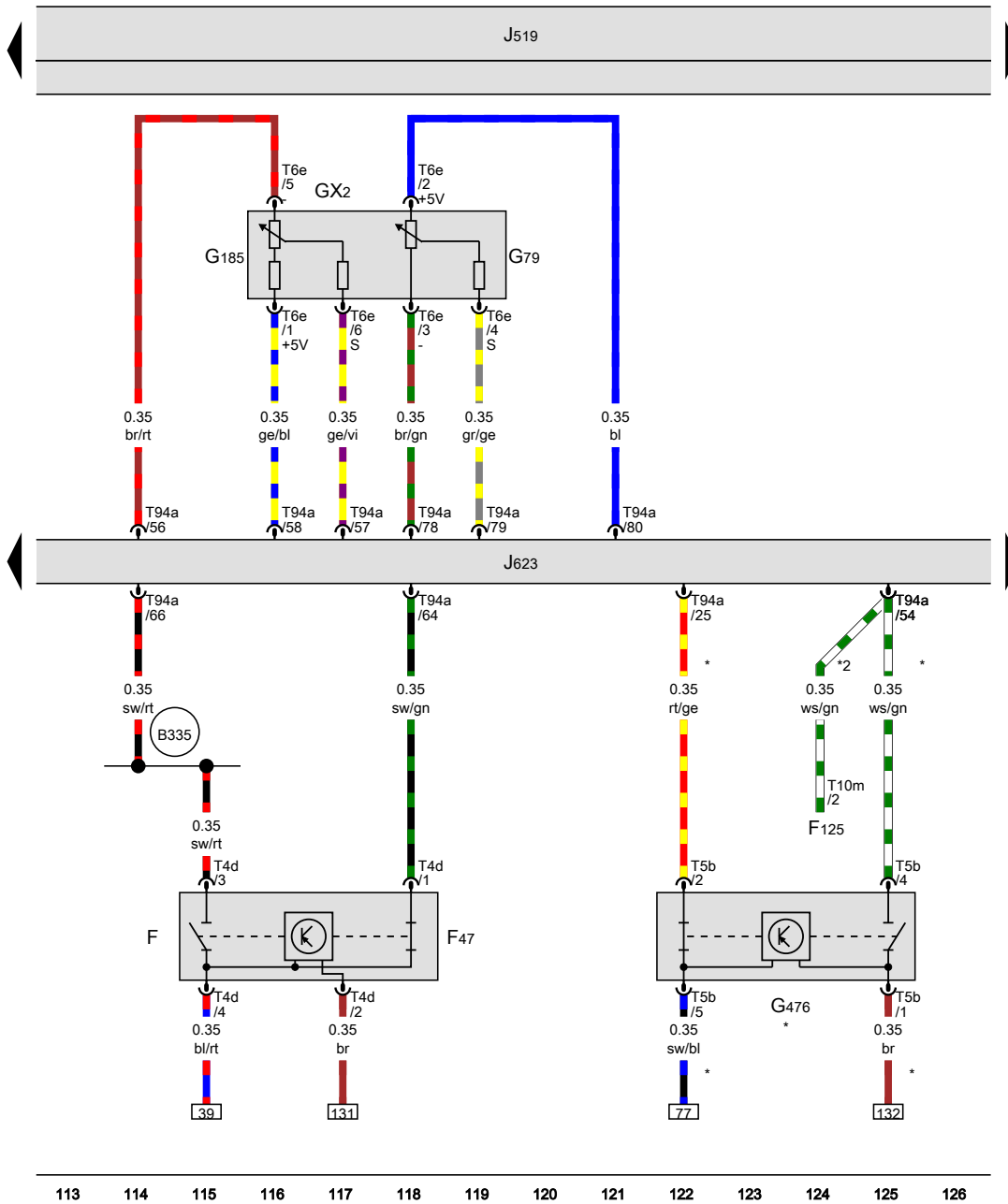
- ws = white
- sw = black
- ro = red
- rt = red
- br = brown
- gn = green
- bl = blue
- gr = grey
- li = purple
- vi = purple
- ge = yellow
- or = orange
- rs = pink

99 100 101 102 103 104 105 106 107 108 109 110 111 112

1NH0-1350905161

Brake pedal switch, Accelerator pedal module, Clutch position sender, Engine control unit

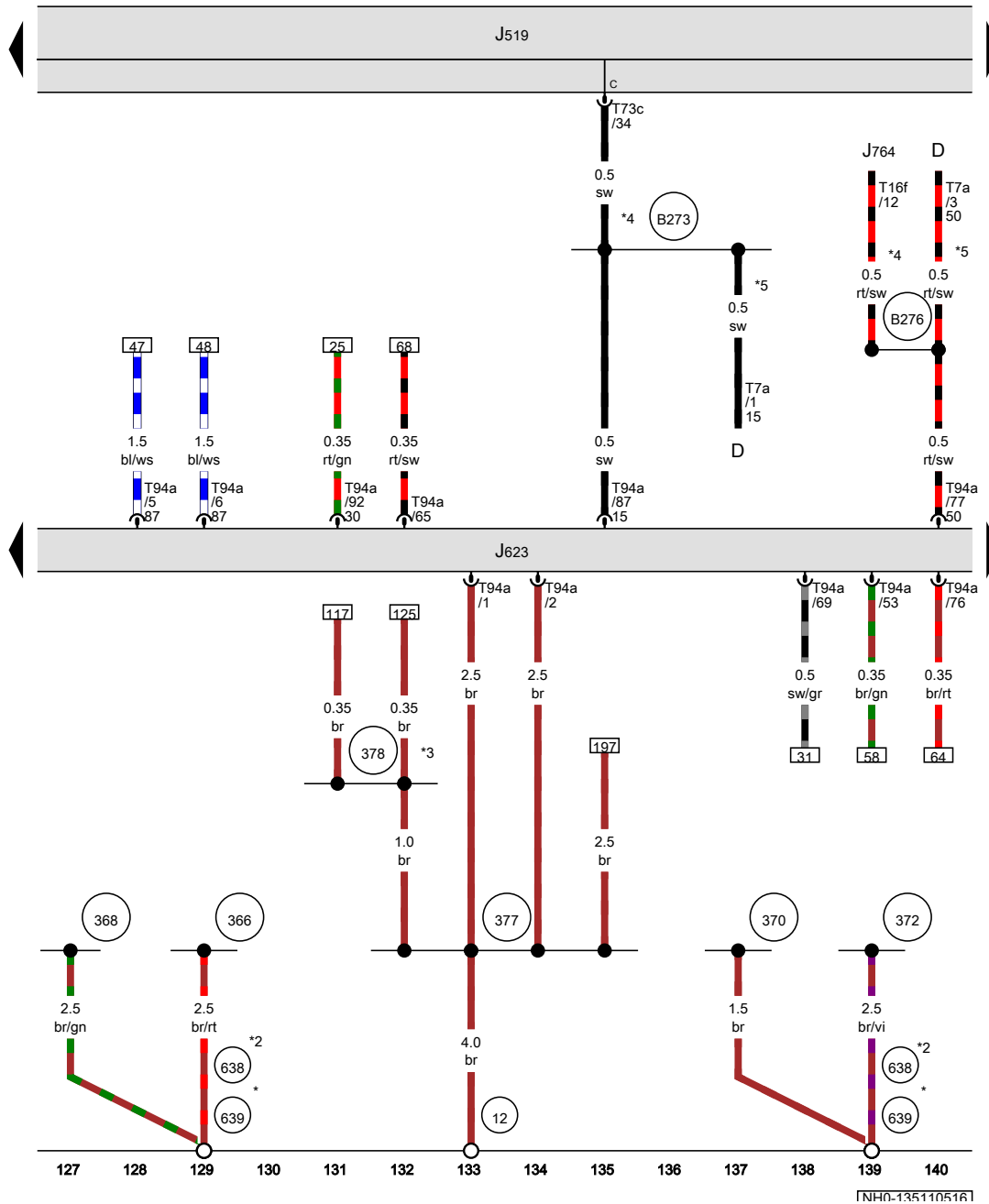
- F Brake light switch
- F47 Brake pedal switch
- F125 Multifunction switch
- GX2 Accelerator pedal module
- G79 Accelerator position sender
- G185 Accelerator position sender 2
- G476 Clutch position sender
- J519 Onboard supply control unit
- J623 Engine control unit
- T4d 4-pin connector
- T5b 5-pin connector
- T6e 6-pin connector
- T10m 10-pin connector
- T94a 94-pin connector
- B335** Connection 1 (54), in main wiring harness
- * Only models with manual gearbox
- *2 Only models with automatic gearbox



- ws = white
- sw = black
- ro = red
- rt = red
- br = brown
- gn = green
- bl = blue
- gr = grey
- li = purple
- vi = purple
- ge = yellow
- or = orange
- rs = pink

113 114 115 116 117 118 119 120 121 122 123 124 125 126

[NH0-135100516]



Engine control unit

- D Ignition/starter switch
- J519 Onboard supply control unit
- J623 Engine control unit
- J764 Control unit for electronic steering column lock
- T7a 7-pin connector
- T16f 16-pin connector
- T73c 73-pin connector, black
- T94a 94-pin connector

- 12 Earth point, on left in engine compartment
- 366 Earth connection 1, in main wiring harness
- 368 Earth connection 3, in main wiring harness
- 370 Earth connection 5, in main wiring harness
- 372 Earth connection 7, in main wiring harness
- 377 Earth connection 12, in main wiring harness
- 378 Earth connection 13, in main wiring harness
- 638 Earth point, on right A-pillar
- 639 Earth point, left A-pillar
- B273 Positive connection (15), in main wiring harness
- B276 Positive connection (50), in main wiring harness

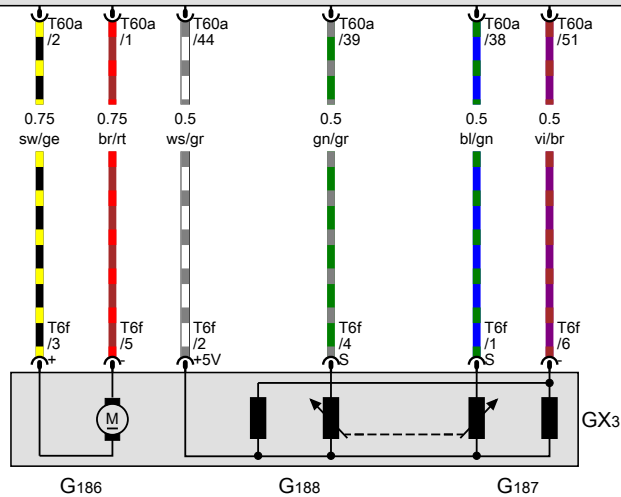
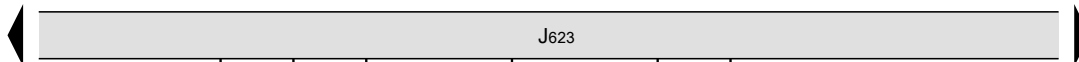
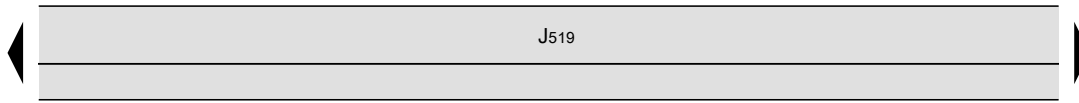
- ws = white
- sw = black
- ro = red
- rt = red
- br = brown
- gn = green
- bl = blue
- gr = grey
- li = purple
- vi = purple
- ge = yellow
- or = orange
- rs = pink

- * Only left-hand drive models
- *2 Only right-hand drive models
- *3 Only models with manual gearbox
- *4 Only models with entry and start authorisation
- *5 Only models with no entry and start authorisation

[NH0-135110516]

Throttle valve module, Engine control unit

- GX3 Throttle valve module
- G186 Throttle valve drive for electric throttle
- G187 Throttle valve drive angle sender 1 for electric throttle
- G188 Throttle valve drive angle sender 2 for electric throttle
- J519 Onboard supply control unit
- J623 Engine control unit
- T6f 6-pin connector
- T60a 60-pin connector



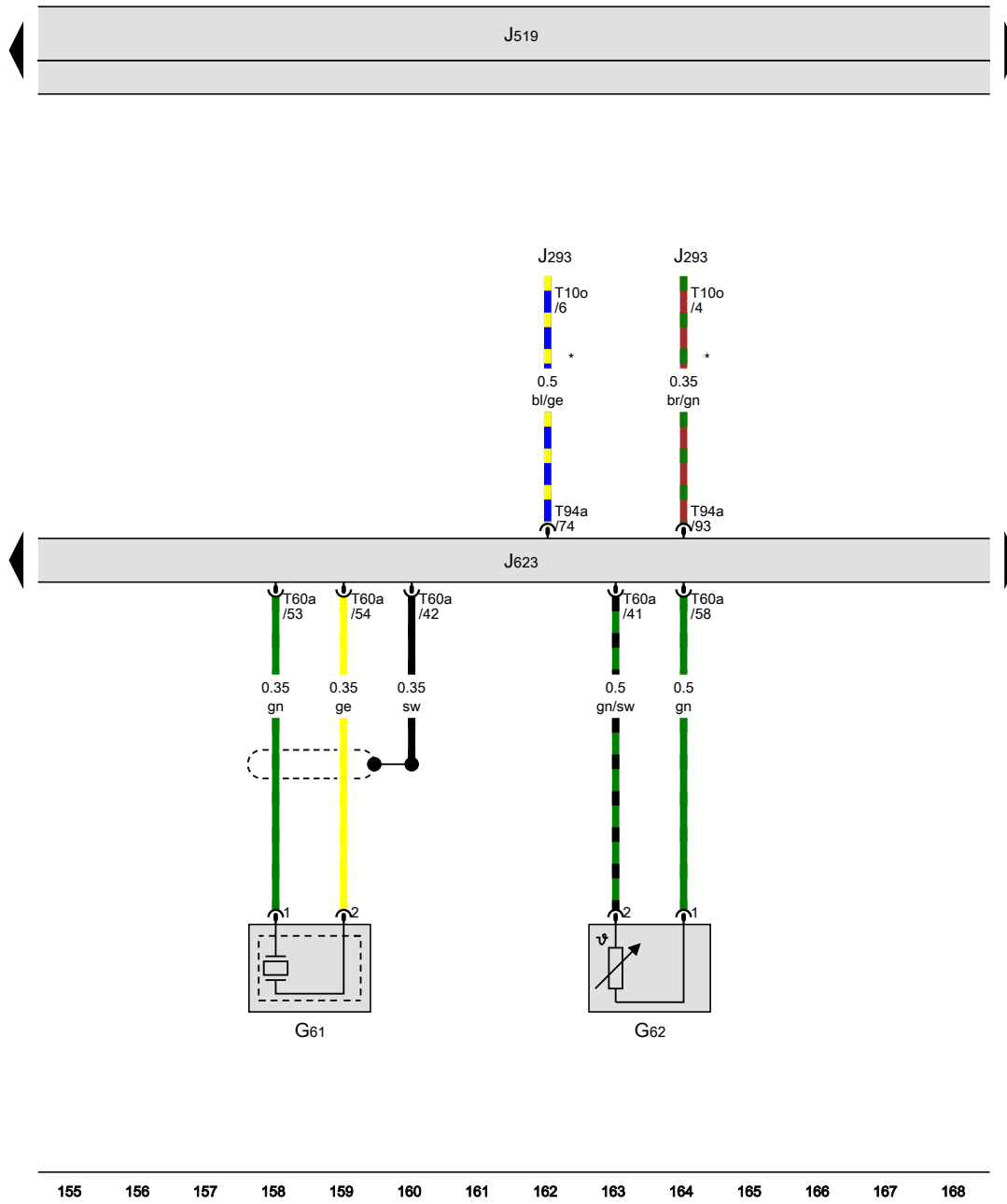
- ws = white
- sw = black
- ro = red
- rt = red
- br = brown
- gn = green
- bl = blue
- gr = grey
- li = purple
- vi = purple
- ge = yellow
- or = orange
- rs = pink

141 142 143 144 145 146 147 148 149 150 151 152 153 154

[NH0-135120516]

Knock sensor 1, Coolant temperature sender, Engine control unit

- G61 Knock sensor 1
- G62 Coolant temperature sender
- J293 Radiator fan control unit
- J519 Onboard supply control unit
- J623 Engine control unit
- T10o 10-pin connector
- T60a 60-pin connector
- T94a 94-pin connector
- * Only models with air conditioning system/ Climatronic



- ws = white
- sw = black
- ro = red
- rt = red
- br = brown
- gn = green
- bl = blue
- gr = grey
- li = purple
- vi = purple
- ge = yellow
- or = orange
- rs = pink

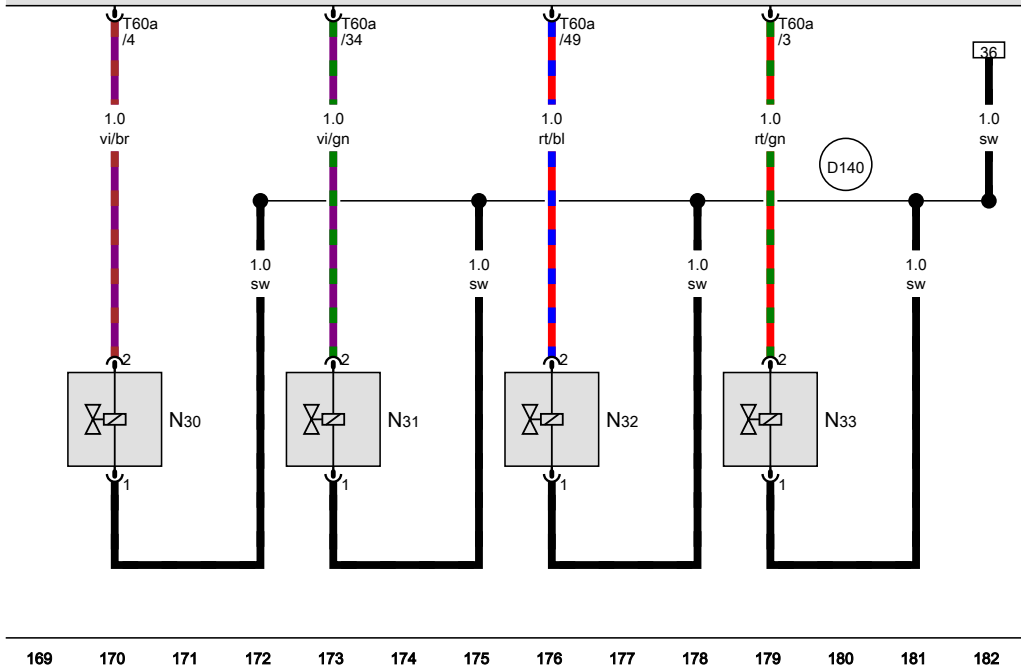
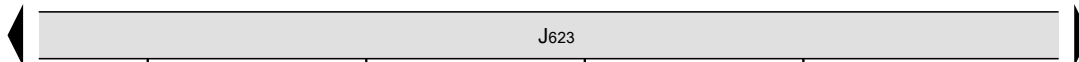
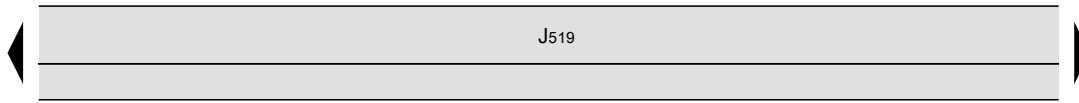
155 156 157 158 159 160 161 162 163 164 165 166 167 168

[NH0-135130516]

Engine control unit, Injector, cylinder 1, Injector, cylinder 2, Injector, cylinder 3, Injector, cylinder 4

- J519 Onboard supply control unit
- J623 Engine control unit
- N30 Injector, cylinder 1
- N31 Injector, cylinder 2
- N32 Injector, cylinder 3
- N33 Injector, cylinder 4
- T60a 60-pin connector

D140 Connection (injectors), in engine prewiring harness



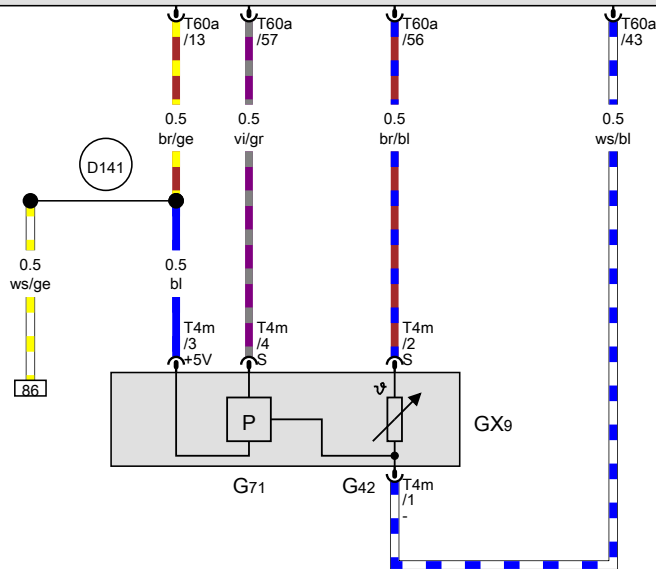
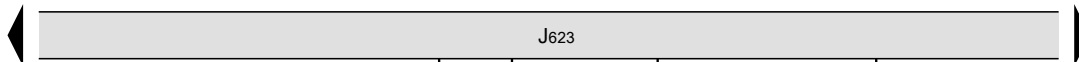
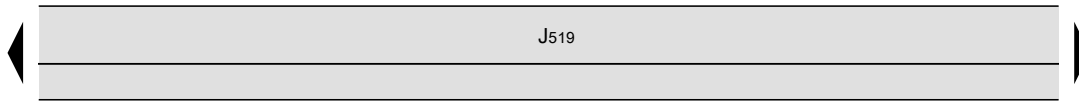
- ws = white
- sw = black
- ro = red
- rt = red
- br = brown
- gn = green
- bl = blue
- gr = grey
- li = purple
- vi = purple
- ge = yellow
- or = orange
- rs = pink

169 170 171 172 173 174 175 176 177 178 179 180 181 182

[NH0-135140516]

Intake manifold sender, Engine control unit

- GX9 Intake manifold sender
- G42 Intake air temperature sender
- G71 Intake manifold pressure sender
- J519 Onboard supply control unit
- J623 Engine control unit
- T4m 4-pin connector
- T60a 60-pin connector
- D141 Connection (5V) in engine prewiring harness



- ws = white
- sw = black
- ro = red
- rt = red
- br = brown
- gn = green
- bl = blue
- gr = grey
- li = purple
- vi = purple
- ge = yellow
- or = orange
- rs = pink

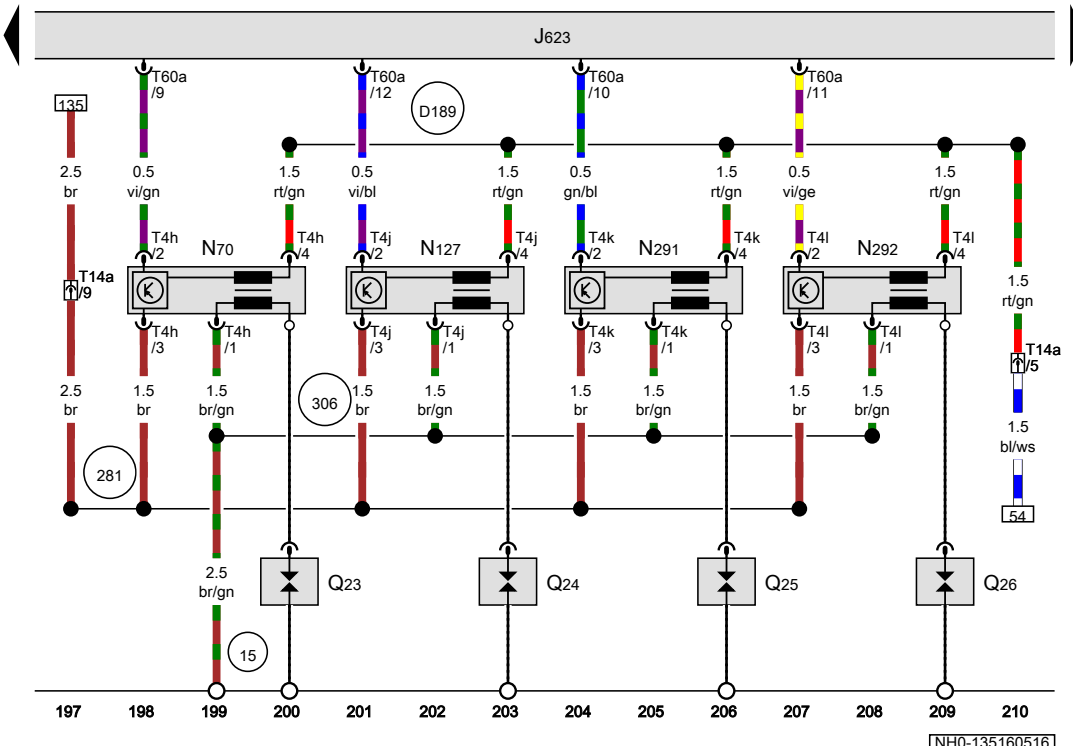
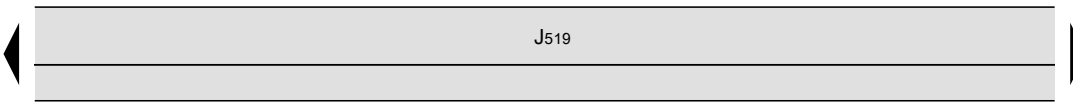
183 184 185 186 187 188 189 190 191 192 193 194 195 196

[NH0-135150516]

Engine control unit, Ignition coil 1 with output stage, Ignition coil 2 with output stage, Ignition coil 3 with output stage, Ignition coil 4 with output stage

- J519 Onboard supply control unit
- J623 Engine control unit
- N70 Ignition coil 1 with output stage
- N127 Ignition coil 2 with output stage
- N291 Ignition coil 3 with output stage
- N292 Ignition coil 4 with output stage
- Q23 Spark plug 1
- Q24 Spark plug 2
- Q25 Spark plug 3
- Q26 Spark plug 4
- T4h 4-pin connector
- T4j 4-pin connector
- T4k 4-pin connector
- T4l 4-pin connector
- T14a 14-pin connector, front left in engine compartment
- T60a 60-pin connector

- 15 Earth point, on cylinder head
- 281 Earth point 1, engine prewiring harness
- 306 Earth connection (ignition coils), in engine prewiring harness
- D189 Connection (87a) in engine prewiring harness



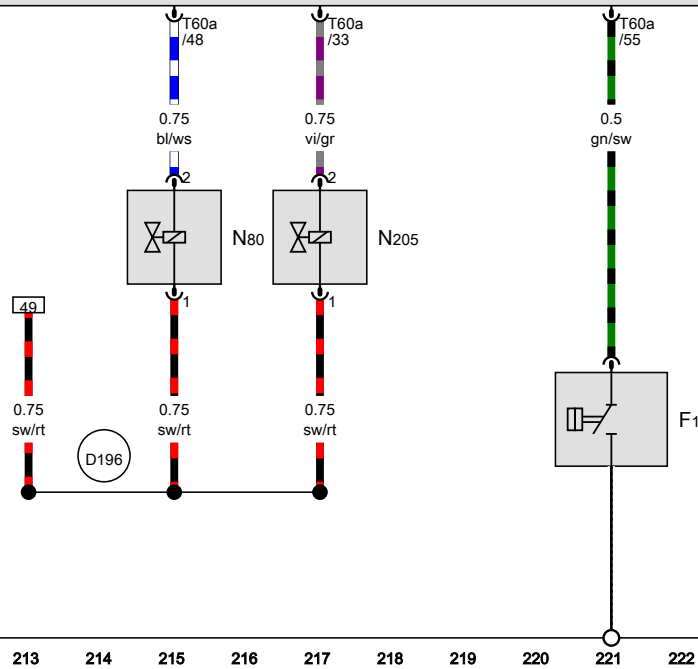
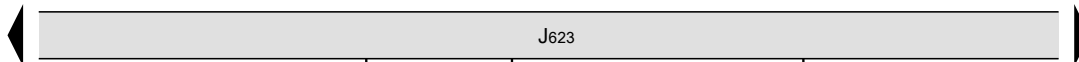
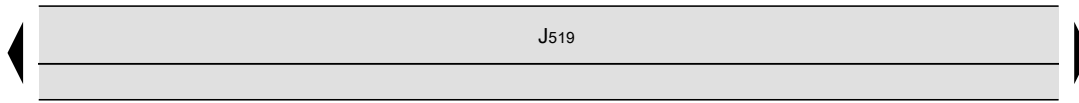
- ws = white
- sw = black
- ro = red
- rt = red
- br = brown
- gn = green
- bl = blue
- gr = grey
- li = purple
- vi = purple
- ge = yellow
- or = orange
- rs = pink

1NH0-135160516

Oil pressure switch, Engine control unit, Activated charcoal filter solenoid valve 1, Camshaft control valve 1

- F1 Oil pressure switch
- J519 Onboard supply control unit
- J623 Engine control unit
- N80 Activated charcoal filter solenoid valve 1
- N205 Camshaft control valve 1
- T60a 60-pin connector

D196 Connection 2 (87a) in engine prewiring harness



- ws = white
- sw = black
- ro = red
- rt = red
- br = brown
- gn = green
- bl = blue
- gr = grey
- li = purple
- vi = purple
- ge = yellow
- or = orange
- rs = pink

[NH0-135170516]

Fuel delivery unit, Fuel pump relay, Engine control unit

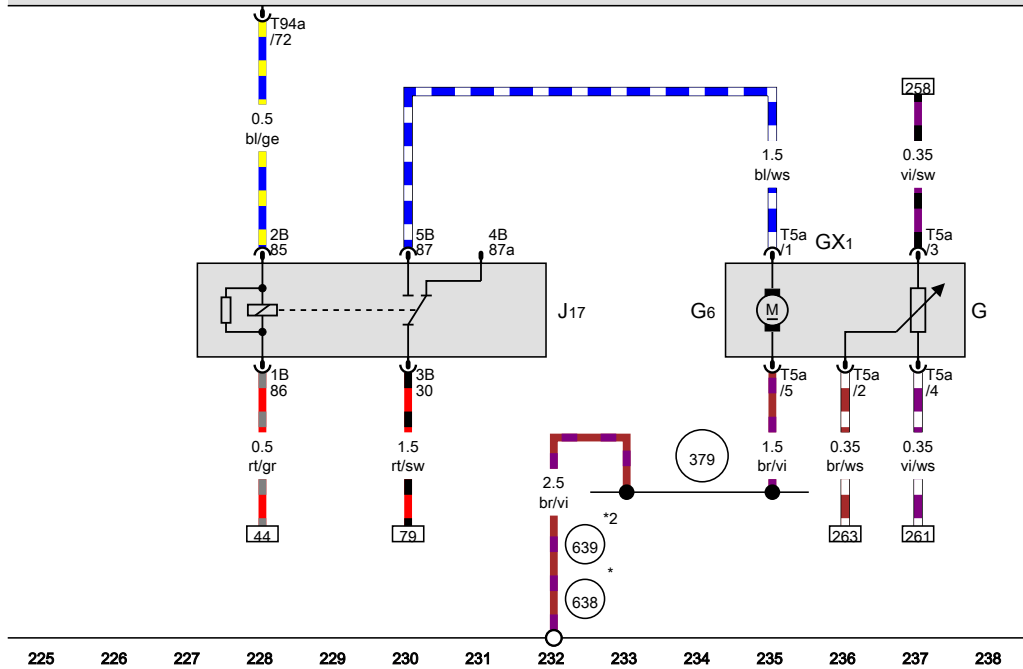
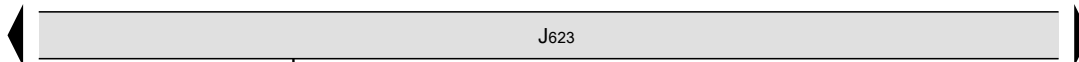
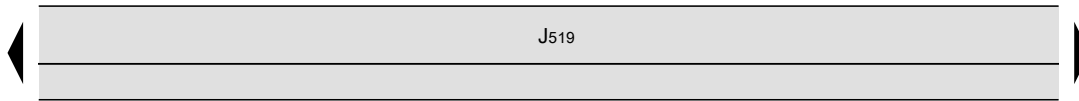
- G Fuel gauge sender
- GX1 Fuel delivery unit
- G6 Fuel system pressurisation pump
- J17 Fuel pump relay
- J519 Onboard supply control unit
- J623 Engine control unit
- T5a 5-pin connector
- T94a 94-pin connector

379 Earth connection 14, in main wiring harness

638 Earth point, on right A-pillar

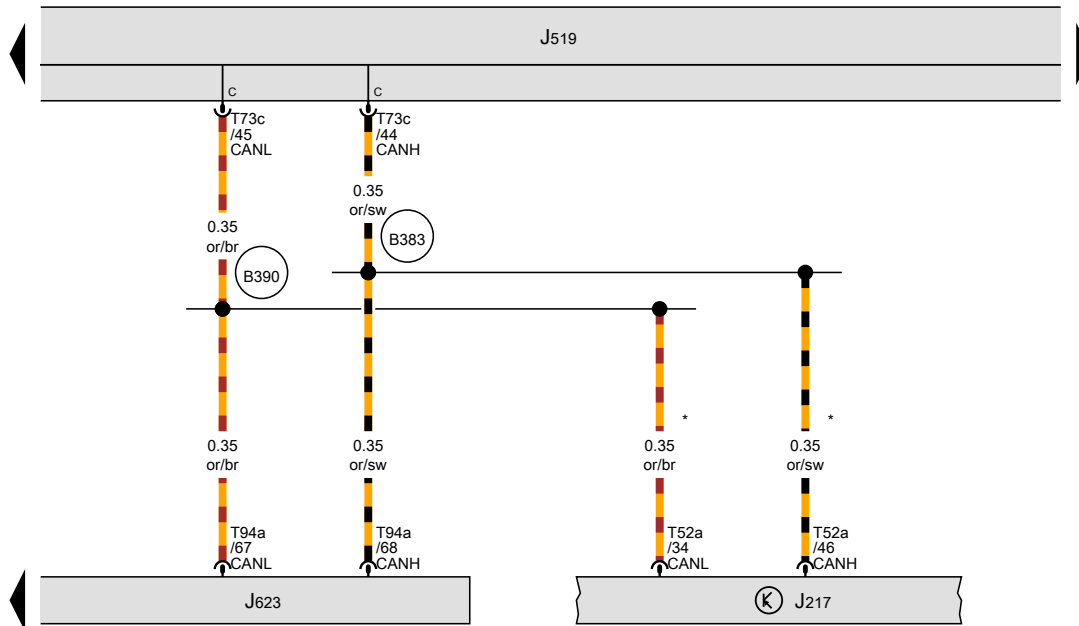
639 Earth point, left A-pillar

* Only left-hand drive models
 *2 Only right-hand drive models



- ws = white
- sw = black
- ro = red
- rt = red
- br = brown
- gn = green
- bl = blue
- gr = grey
- li = purple
- vi = purple
- ge = yellow
- or = orange
- rs = pink

[NH0-135180516]



Automatic gearbox control unit, Engine control unit

- J217 Automatic gearbox control unit
- J519 Onboard supply control unit
- J623 Engine control unit
- T52a 52-pin connector
- T73c 73-pin connector, black
- T94a 94-pin connector

B383 Connection 1 (powertrain CAN bus, high), in main wiring harness

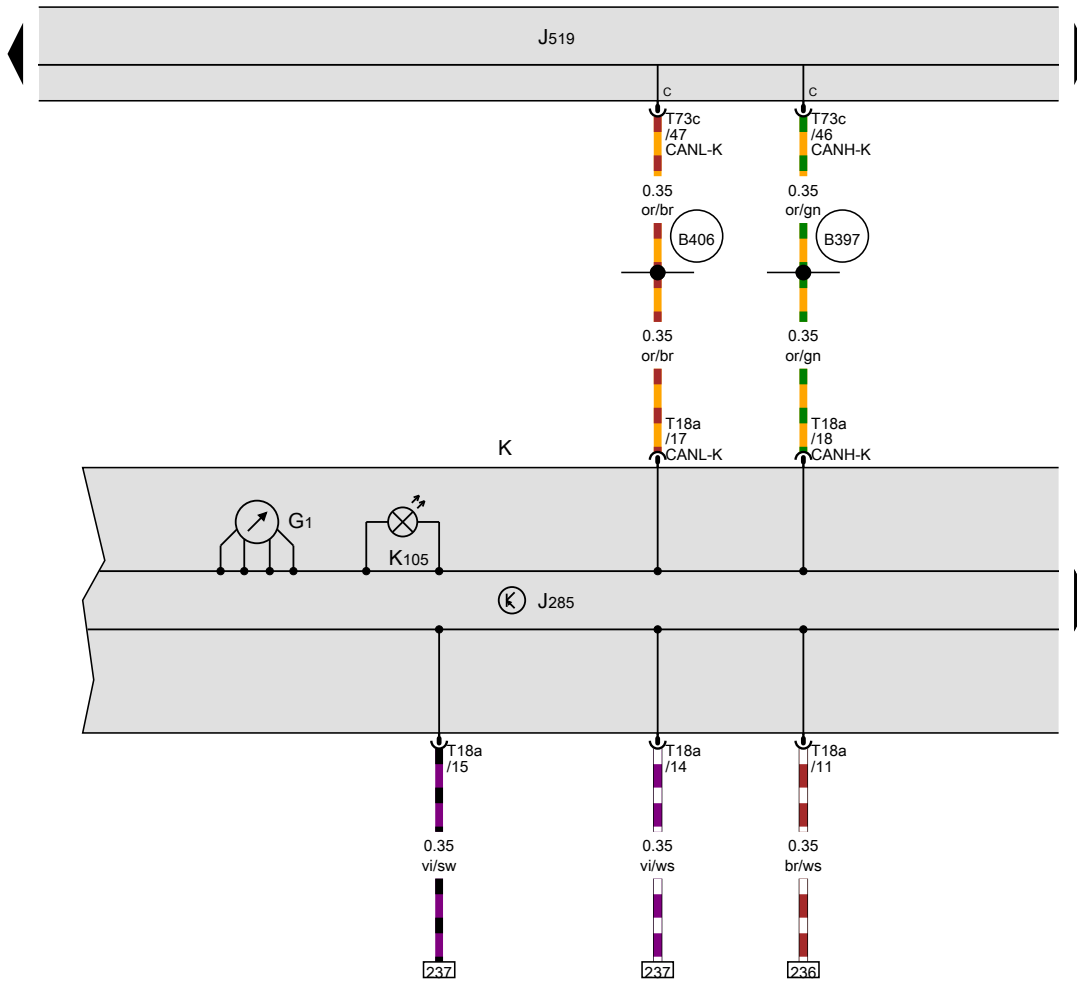
B390 Connection 1 (powertrain CAN bus, low), in main wiring harness

* Only models with automatic gearbox

- ws = white
- sw = black
- ro = red
- rt = red
- br = brown
- gn = green
- bl = blue
- gr = grey
- li = purple
- vi = purple
- ge = yellow
- or = orange
- rs = pink

Fuel gauge, Dash panel insert

- G1 Fuel gauge
- J285 Control unit in dash panel insert
- J519 Onboard supply control unit
- K Dash panel insert
- K105 Reserve fuel warning lamp
- T18a 18-pin connector
- T73c 73-pin connector, black
- B397** Connection 1 (convenience CAN bus, high), in main wiring harness
- B406** Connection 1 (convenience CAN bus, low), in main wiring harness



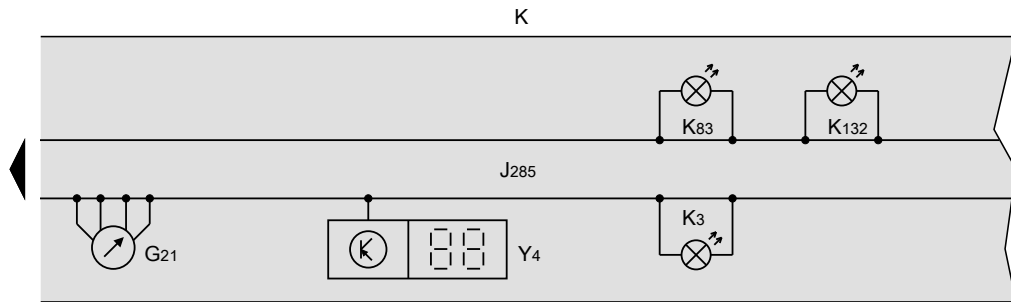
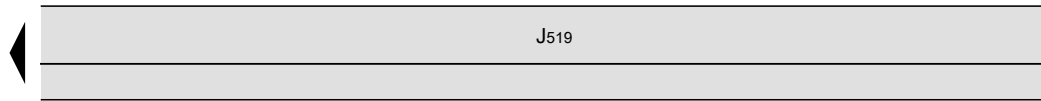
- ws = white
- sw = black
- ro = red
- rt = red
- br = brown
- gn = green
- bl = blue
- gr = grey
- li = purple
- vi = purple
- ge = yellow
- or = orange
- rs = pink

253 254 255 256 257 258 259 260 261 262 263 264 265 266

[NH0-135200516]

Speedometer, Dash panel insert, Trip counter

- G21 Speedometer
- J285 Control unit in dash panel insert
- J519 Onboard supply control unit
- K Dash panel insert
- K3 Oil pressure warning lamp
- K83 Exhaust emissions warning lamp
- K132 Electronic power control fault lamp
- Y4 Trip counter



- ws = white
- sw = black
- ro = red
- rt = red
- br = brown
- gn = green
- bl = blue
- gr = grey
- li = purple
- vi = purple
- ge = yellow
- or = orange
- rs = pink

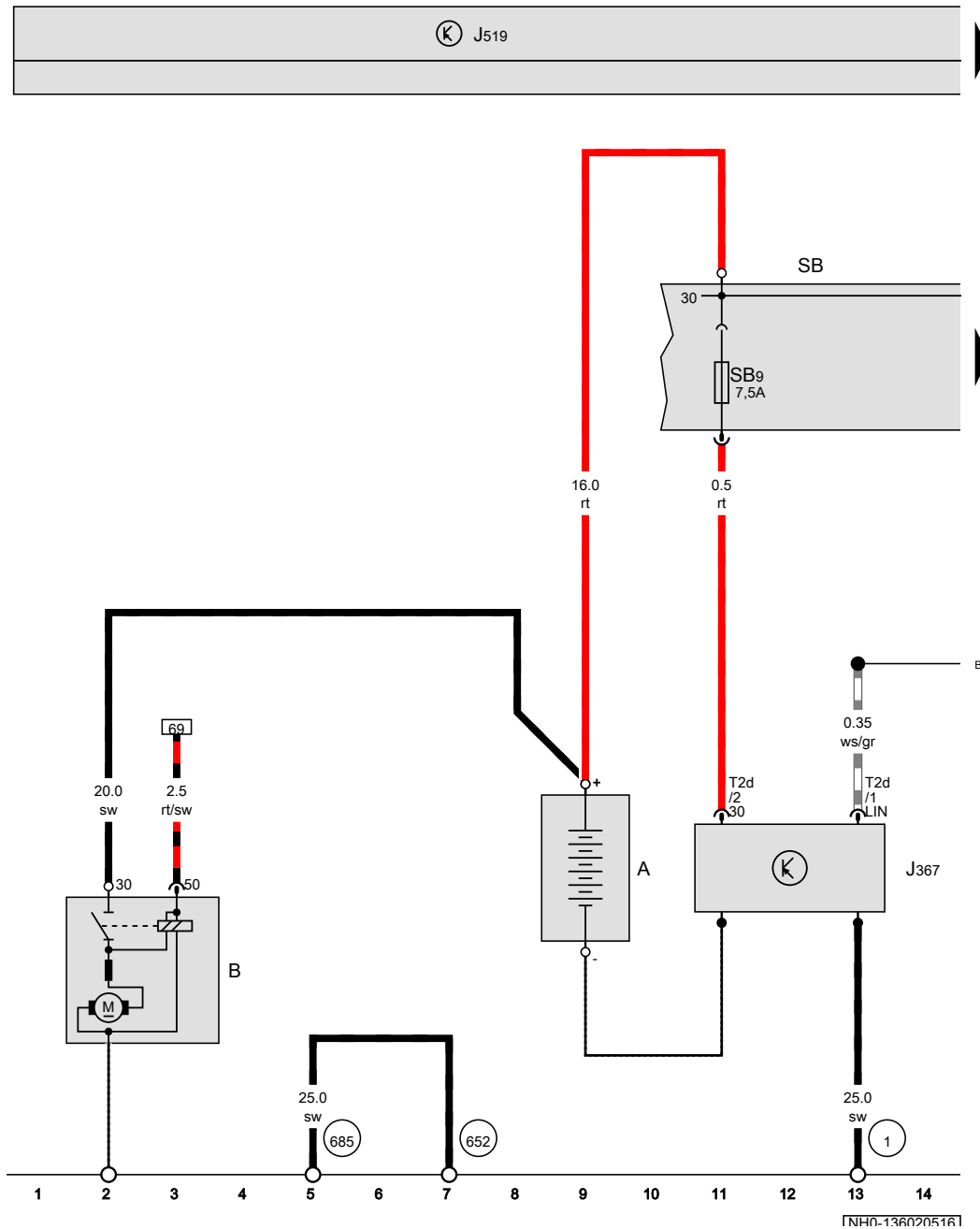
267 268 269 270 271 272 273 274 275 276 277 278 279 280

[NH0-135210516]

1.4l diesel engine , CUSB,(7L6)

From May 2016

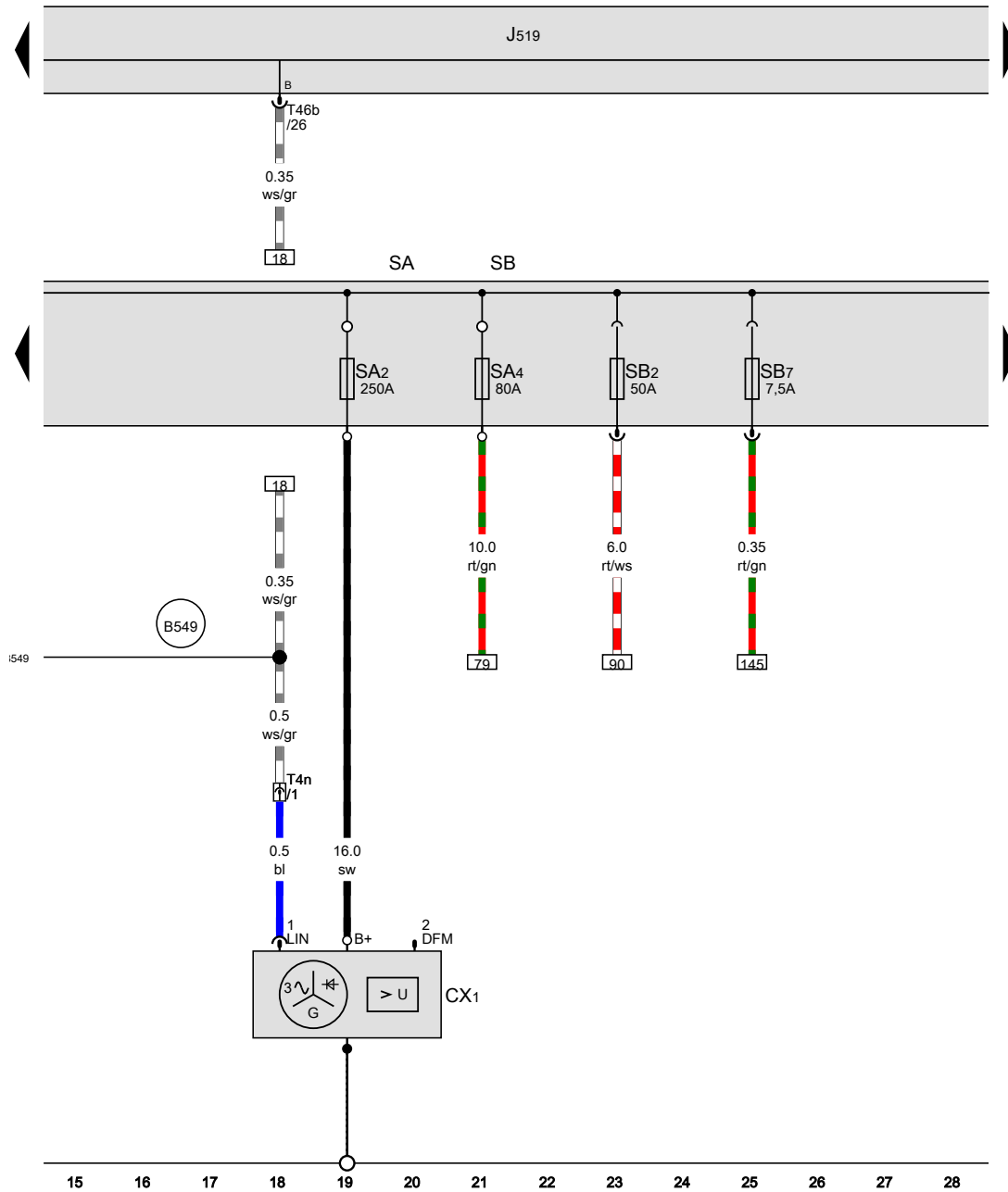
Battery, Starter, Battery monitor control unit, Fuse holder B



- A Battery
- B Starter
- J367 Battery monitor control unit
- J519 Onboard supply control unit
- SB Fuse holder B
- SB9 Fuse 9 on fuse holder B
- T2d 2-pin connector
- 1 Earth strap, battery - body
- 652 Earth point, engine and gearbox earth
- 685 Earth point 1 at front of right longitudinal member
- B549 Connection 2 (LIN bus) in main wiring harness

- ws = white
- sw = black
- ro = red
- rt = red
- br = brown
- gn = green
- bl = blue
- gr = grey
- li = purple
- vi = purple
- ge = yellow
- or = orange
- rs = pink

[NH0-136020516]



Alternator with voltage regulator, Fuse holder A, Fuse holder B

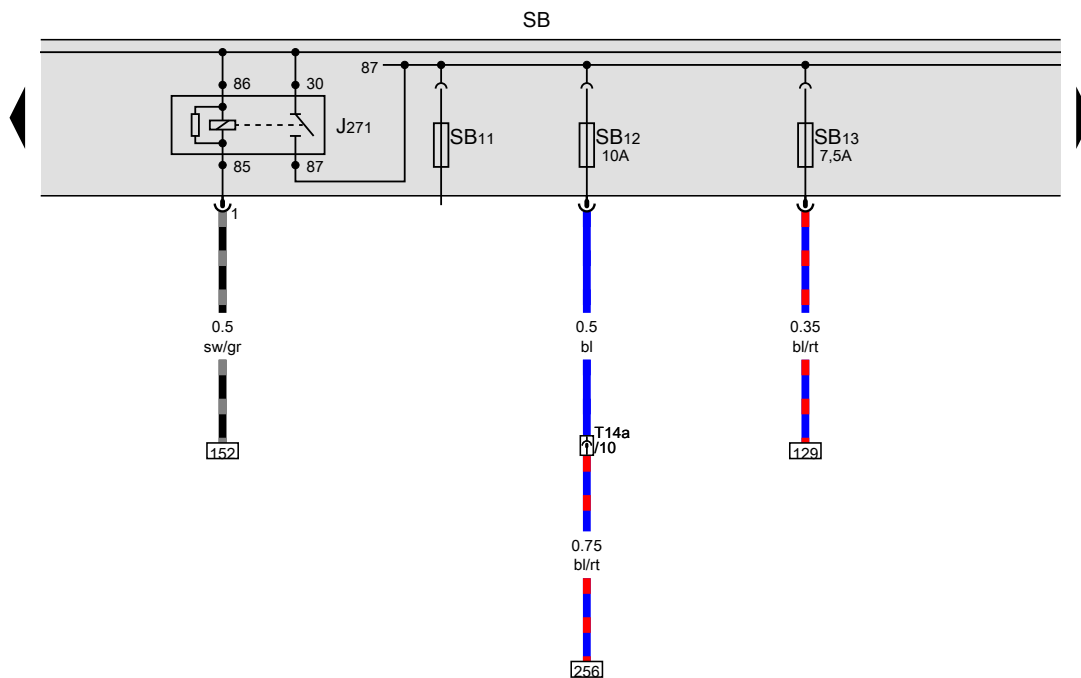
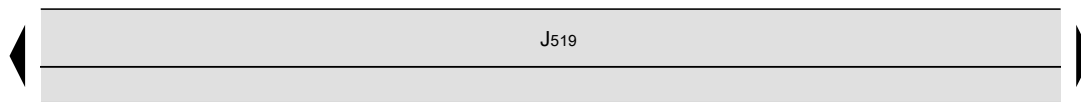
- CX1 Alternator with voltage regulator
- J519 Onboard supply control unit
- SA Fuse holder A
- SA2 Fuse 2 in fuse holder A
- SB2 Fuse 2 on fuse holder B
- SA4 Fuse 4 in fuse holder A
- SB Fuse holder B
- SB7 Fuse 7 on fuse holder B
- T4n 4-pin connector, front left in engine compartment
- T46b 46-pin connector, brown

B549 Connection 2 (LIN bus) in main wiring harness

- ws = white
- sw = black
- ro = red
- rt = red
- br = brown
- gn = green
- bl = blue
- gr = grey
- li = purple
- vi = purple
- ge = yellow
- or = orange
- rs = pink

Main relay, Fuse holder B

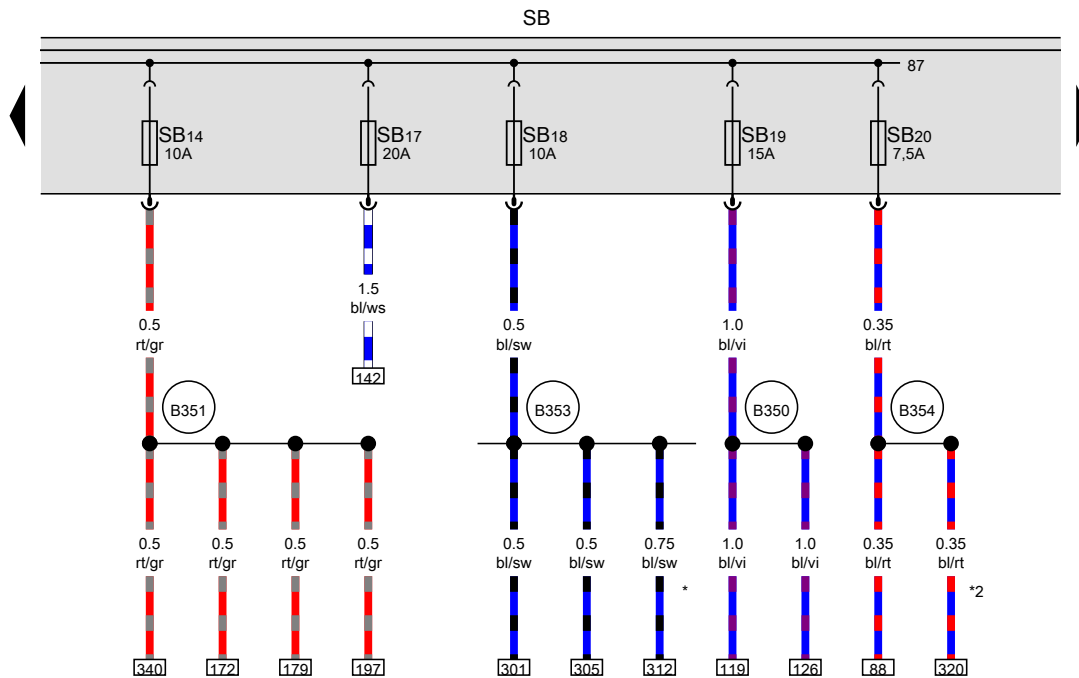
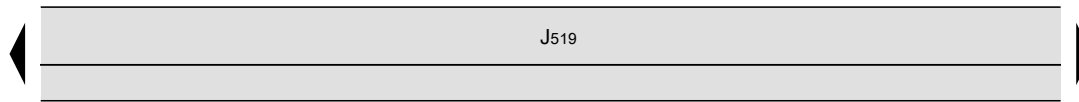
- J271 Main relay
- J519 Onboard supply control unit
- SB Fuse holder B
- SB11 Fuse 11 on fuse holder B
- SB12 Fuse 12 on fuse holder B
- SB13 Fuse 13 on fuse holder B
- T14a 14-pin connector, front left in engine compartment



- ws = white
- sw = black
- ro = red
- rt = red
- br = brown
- gn = green
- bl = blue
- gr = grey
- li = purple
- vi = purple
- ge = yellow
- or = orange
- rs = pink

29 30 31 32 33 34 35 36 37 38 39 40 41 42

[NH0-136040516]



Fuse holder B

- J519 Onboard supply control unit
- SB Fuse holder B
- SB14 Fuse 14 on fuse holder B
- SB17 Fuse 17 on fuse holder B
- SB18 Fuse 18 on fuse holder B
- SB19 Fuse 19 on fuse holder B
- SB20 Fuse 20 on fuse holder B

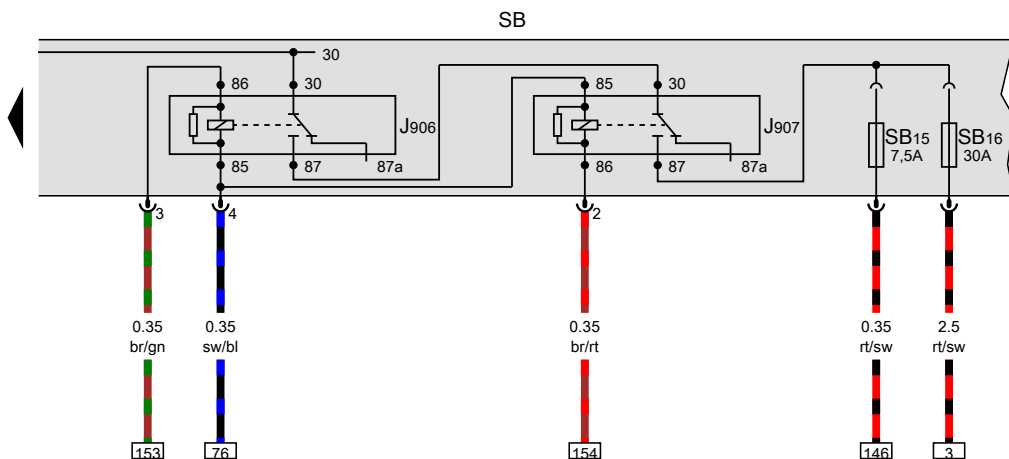
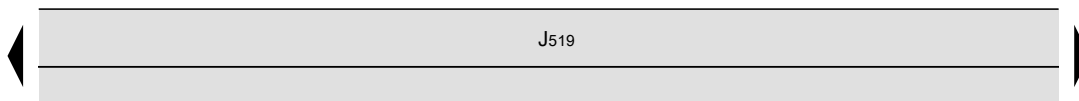
- B350 Positive connection 1 (87a) in main wiring harness
- B351 Positive connection 2 (87a) in main wiring harness
- B353 Positive connection 4 (87a) in main wiring harness
- B354 Positive connection 5 (87a) in main wiring harness
- * Only models with extended servicing intervals (ESI)
- *2 Special equipment

43 44 45 46 47 48 49 50 51 52 53 54 55 56

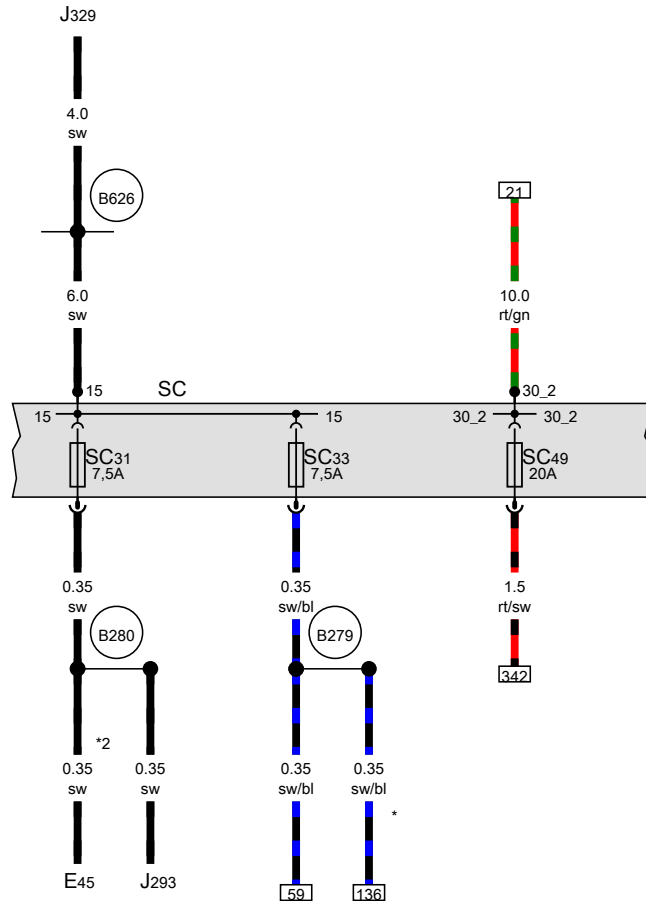
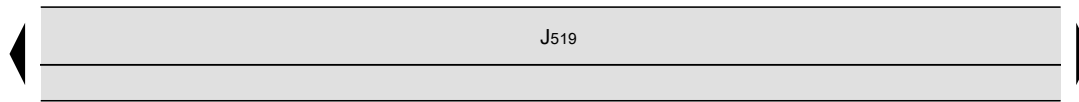
[NH0-136050516]

Starter relay 1, Starter relay 2, Fuse holder B

- J519 Onboard supply control unit
- J906 Starter relay 1
- J907 Starter relay 2
- SB Fuse holder B
- SB15 Fuse 15 on fuse holder B
- SB16 Fuse 16 on fuse holder B



- ws = white
- sw = black
- ro = red
- rt = red
- br = brown
- gn = green
- bl = blue
- gr = grey
- li = purple
- vi = purple
- ge = yellow
- or = orange
- rs = pink



Fuse holder C

- E45 Cruise control system switch
- J293 Radiator fan control unit
- J329 Terminal 15 voltage supply relay
- J519 Onboard supply control unit
- SC Fuse holder C
- SC31 Fuse 31 on fuse holder C
- SC33 Fuse 33 on fuse holder C
- SC49 Fuse 49 on fuse holder C

B279 Positive connection 3 (15a) in main wiring harness

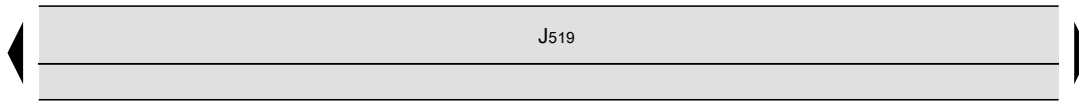
B280 Positive connection 4 (15a) in main wiring harness

B626 Positive connection 2 (15), in main wiring harness

* Only models with manual gearbox

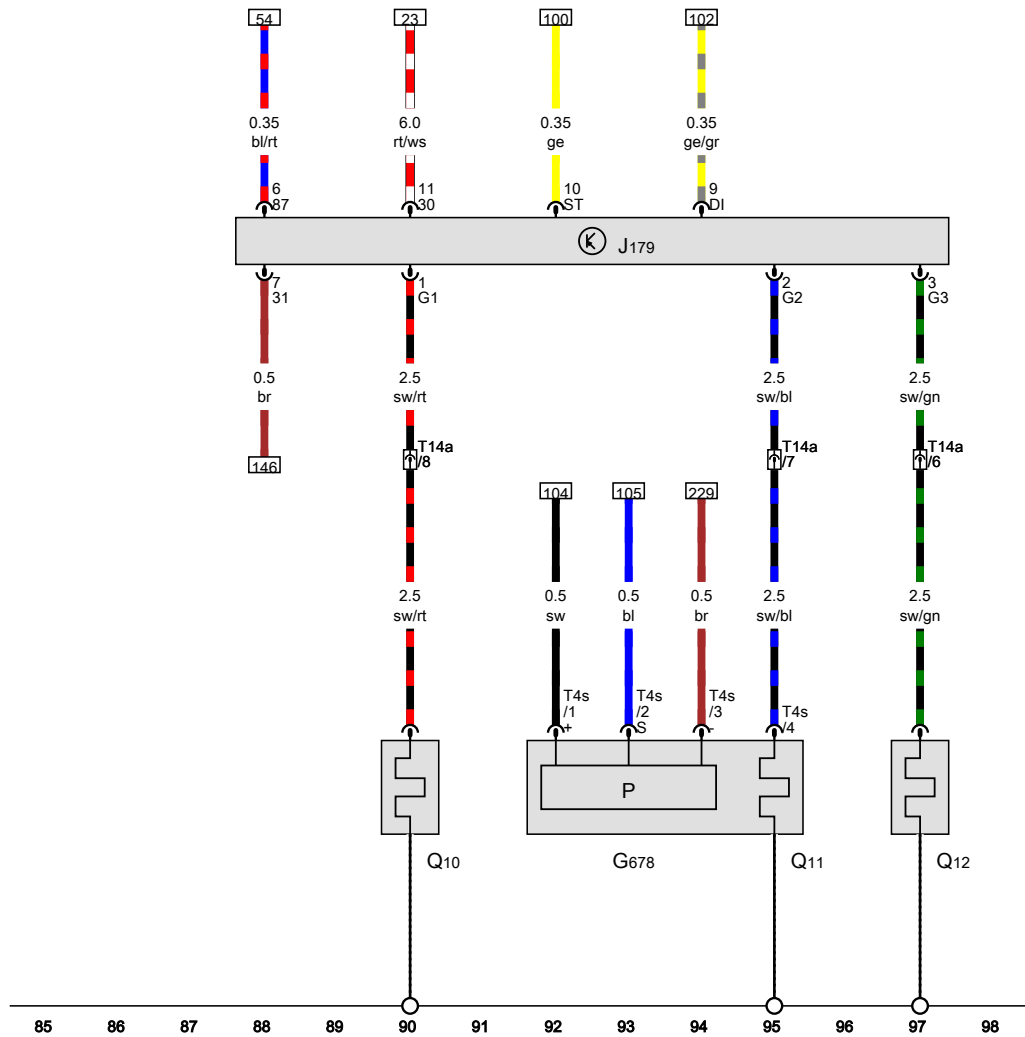
*2 Only models with cruise control system (CCS)

- ws = white
- sw = black
- ro = red
- rt = red
- br = brown
- gn = green
- bl = blue
- gr = grey
- li = purple
- vi = purple
- ge = yellow
- or = orange
- rs = pink



Cylinder 2 combustion chamber pressure sender,
Automatic glow period control unit, Glow plug 1, Glow plug
2, Glow plug 3

- G678 Cylinder 2 combustion chamber pressure sender
- J179 Automatic glow period control unit
- J519 Onboard supply control unit
- Q10 Glow plug 1
- Q11 Glow plug 2
- Q12 Glow plug 3
- T4s 4-pin connector
- T14a 14-pin connector, front left in engine compartment

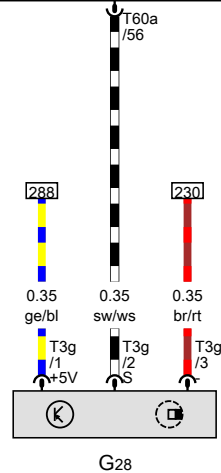
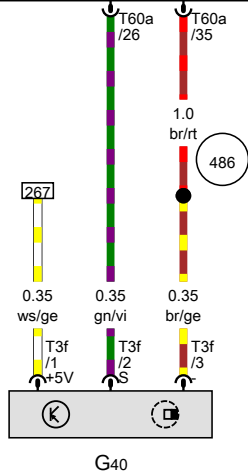
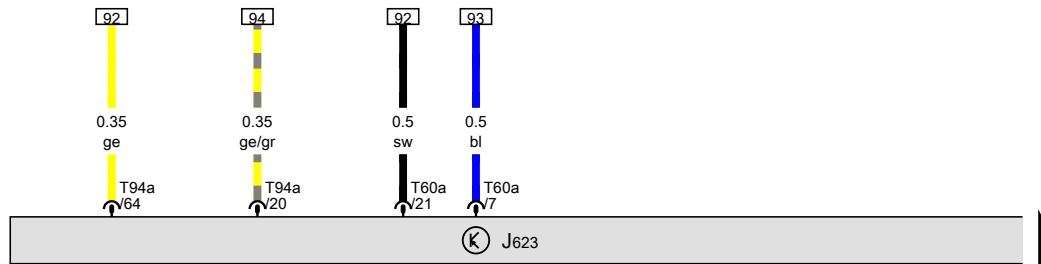
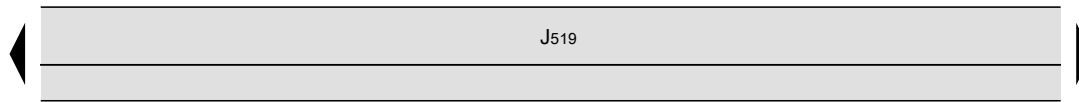


- ws = white
- sw = black
- ro = red
- rt = red
- br = brown
- gn = green
- bl = blue
- gr = grey
- li = purple
- vi = purple
- ge = yellow
- or = orange
- rs = pink

[NH0-136080516]

Engine speed sender, Hall sender, Engine control unit

- G28 Engine speed sender
- G40 Hall sender
- J519 Onboard supply control unit
- J623 Engine control unit
- T3f 3-pin connector
- T3g 3-pin connector
- T60a 60-pin connector
- T94a 94-pin connector
- 486 Earth point 4, engine prewiring harness



- ws = white
- sw = black
- ro = red
- rt = red
- br = brown
- gn = green
- bl = blue
- gr = grey
- li = purple
- vi = purple
- ge = yellow
- or = orange
- rs = pink

99 100 101 102 103 104 105 106 107 108 109 110 111 112

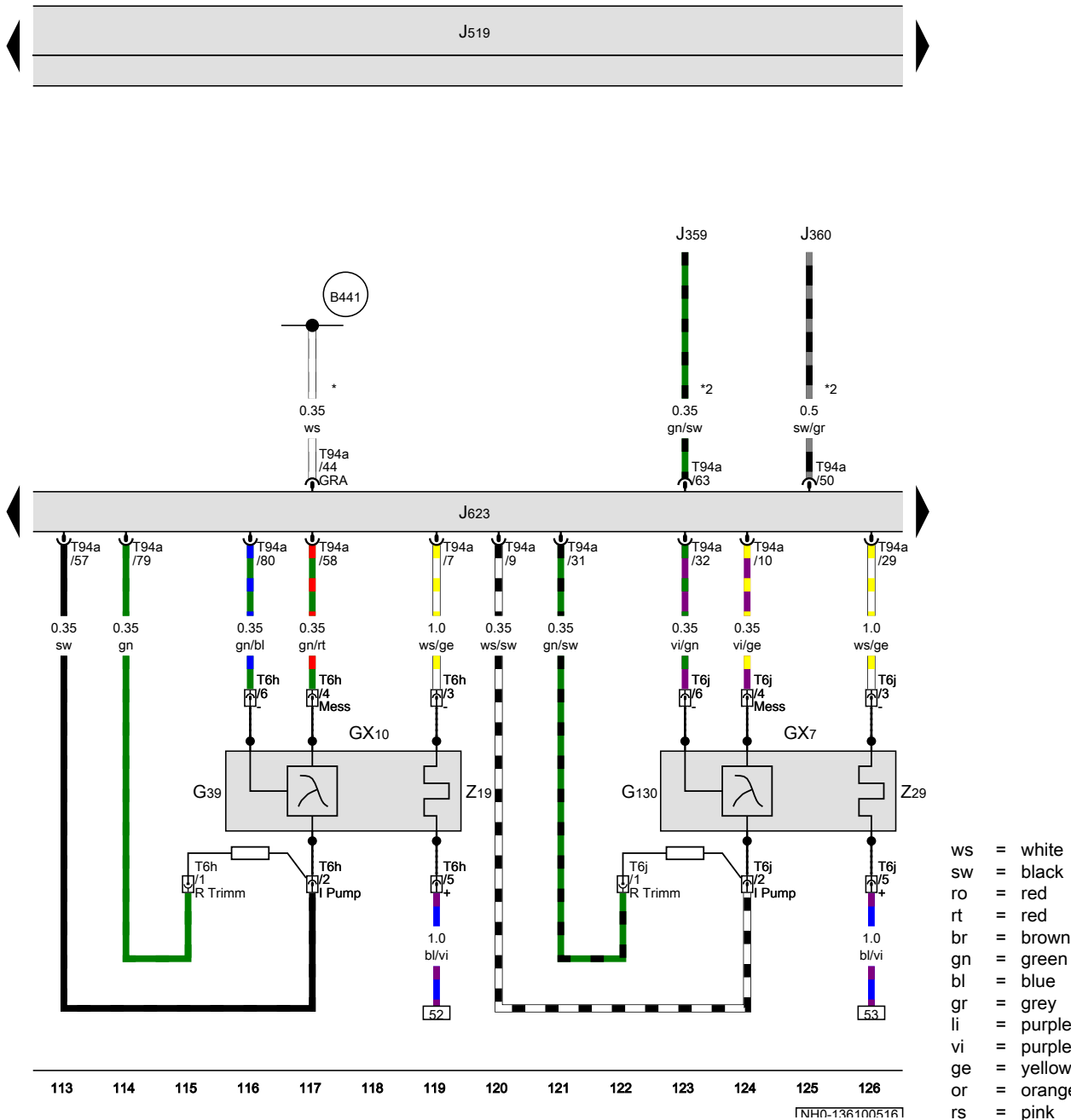
[NH0-136090516]

Lambda probe 1 after catalytic converter, Lambda probe 1 before catalytic converter, Engine control unit

- GX7 Lambda probe 1 after catalytic converter
- GX10 Lambda probe 1 before catalytic converter
- G39 Lambda probe
- G130 Lambda probe after catalytic converter
- J359 Low heat output relay
- J360 High heat output relay
- J519 Onboard supply control unit
- J623 Engine control unit
- T6h 6-pin connector, black
- T6j 6-pin connector, brown
- T94a 94-pin connector
- Z19 Lambda probe heater
- Z29 Lambda probe 1 heater after catalytic converter

B441 Connection (CCS), in main wiring harness

- * Only models with cruise control system (CCS)
- *2 Only models with auxiliary air heater



- ws = white
- sw = black
- ro = red
- rt = red
- br = brown
- gn = green
- bl = blue
- gr = grey
- li = purple
- vi = purple
- ge = yellow
- or = orange
- rs = pink

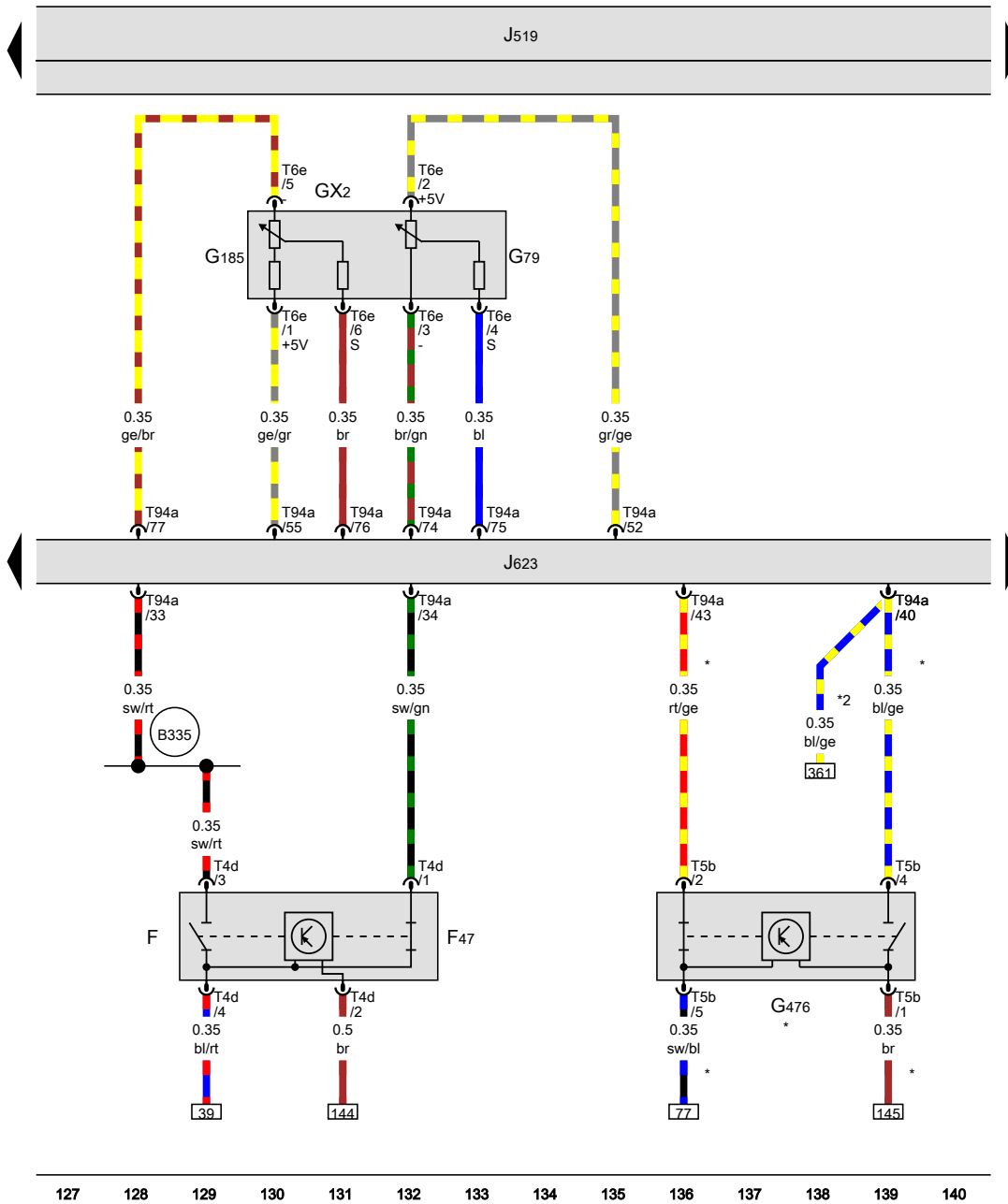
[NH0-136100516]

Brake pedal switch, Accelerator pedal module, Clutch position sender, Engine control unit

- F Brake light switch
- F47 Brake pedal switch
- GX2 Accelerator pedal module
- G79 Accelerator position sender
- G185 Accelerator position sender 2
- G476 Clutch position sender
- J519 Onboard supply control unit
- J623 Engine control unit
- T4d 4-pin connector
- T5b 5-pin connector
- T6e 6-pin connector
- T94a 94-pin connector

B335 Connection 1 (54), in main wiring harness

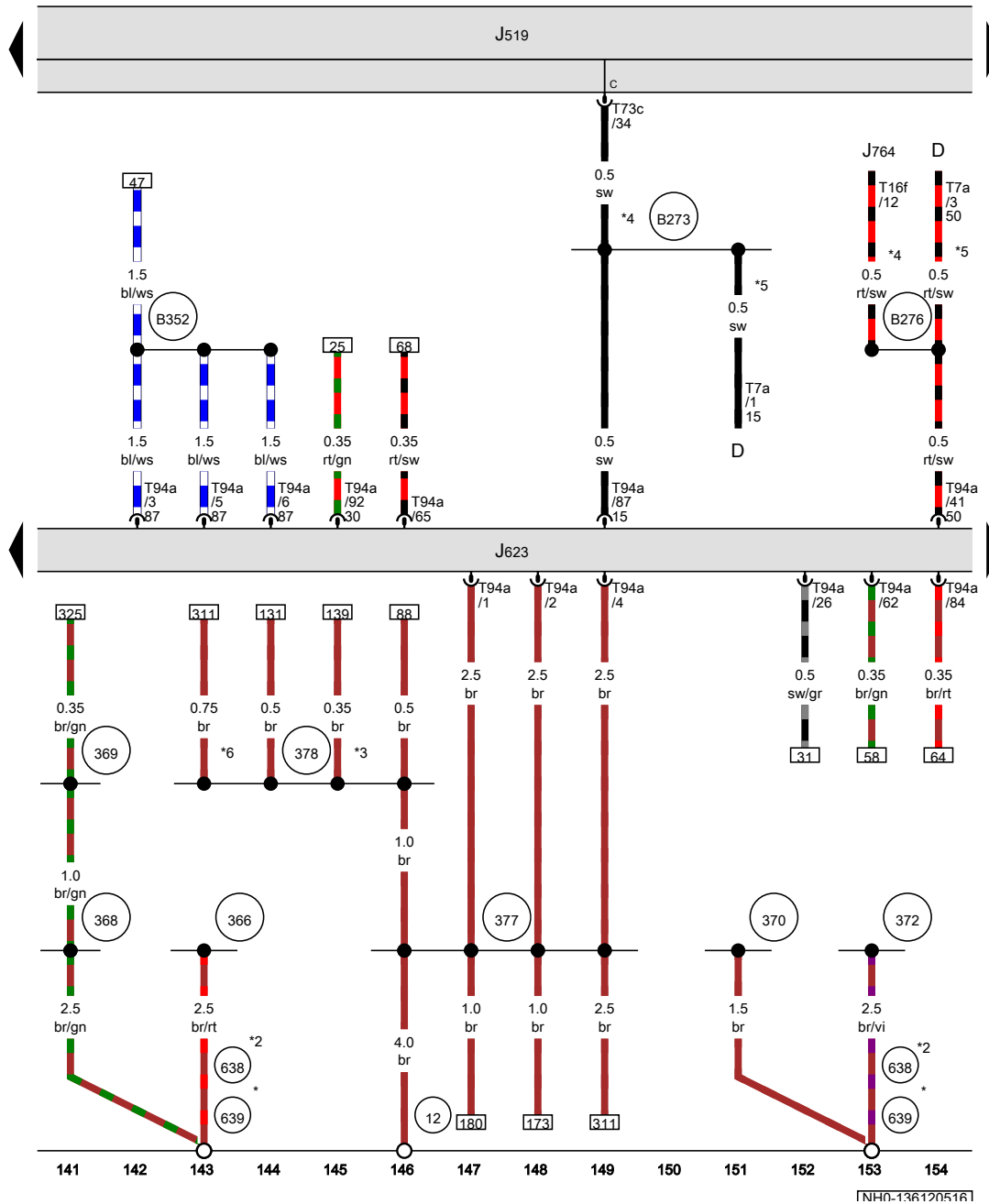
- * Only models with manual gearbox
- *2 Only models with automatic gearbox



- ws = white
- sw = black
- ro = red
- rt = red
- br = brown
- gn = green
- bl = blue
- gr = grey
- li = purple
- vi = purple
- ge = yellow
- or = orange
- rs = pink

127 128 129 130 131 132 133 134 135 136 137 138 139 140

[NHD-136110516]



Engine control unit

- D Ignition/starter switch
- J519 Onboard supply control unit
- J623 Engine control unit
- J764 Control unit for electronic steering column lock
- T7a 7-pin connector
- T16f 16-pin connector
- T73c 73-pin connector, black
- T94a 94-pin connector

- (12) Earth point, on left in engine compartment
- (366) Earth connection 1, in main wiring harness
- (368) Earth connection 3, in main wiring harness
- (369) Earth connection 4, in main wiring harness
- (370) Earth connection 5, in main wiring harness
- (372) Earth connection 7, in main wiring harness
- (377) Earth connection 12, in main wiring harness
- (378) Earth connection 13, in main wiring harness
- (638) Earth point, on right A-pillar
- (639) Earth point, left A-pillar

- (B273) Positive connection (15), in main wiring harness
- (B276) Positive connection (50), in main wiring harness
- (B352) Positive connection 3 (87a) in main wiring harness

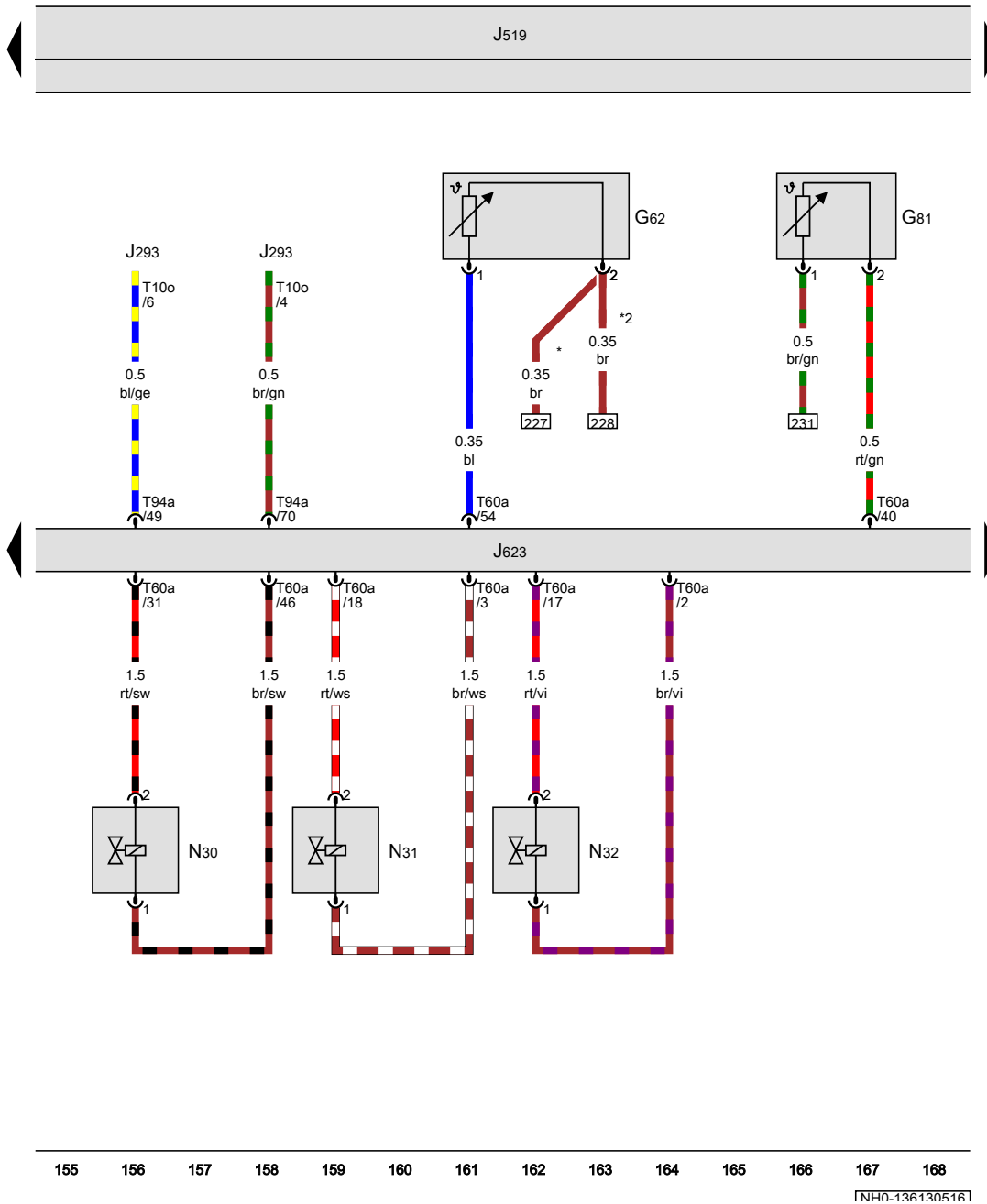
- ws = white
- sw = black
- ro = red
- rt = red
- br = brown
- gn = green
- bl = blue
- gr = grey
- li = purple
- vi = purple
- ge = yellow
- or = orange
- rs = pink

- * Only left-hand drive models
- *2 Only right-hand drive models
- *3 Only models with manual gearbox
- *4 Only models with entry and start authorisation
- *5 Only models with no entry and start authorisation
- *6 Only models with extended servicing intervals (ESI)

[NHN-136120516]

Coolant temperature sender, Fuel temperature sender, Engine control unit, Injector, cylinder 1, Injector, cylinder 2, Injector, cylinder 3

- G62 Coolant temperature sender
- G81 Fuel temperature sender
- J293 Radiator fan control unit
- J519 Onboard supply control unit
- J623 Engine control unit
- N30 Injector, cylinder 1
- N31 Injector, cylinder 2
- N32 Injector, cylinder 3
- T10o 10-pin connector
- T60a 60-pin connector
- T94a 94-pin connector
- * Only models with automatic gearbox
- *2 Only models with manual gearbox



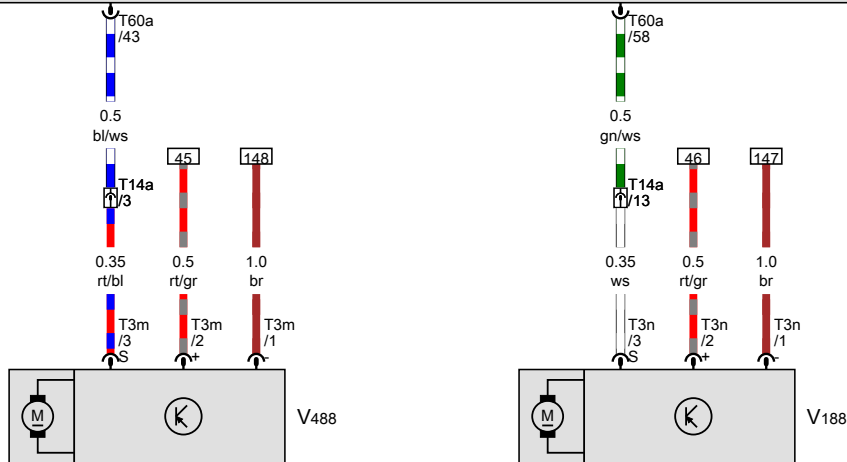
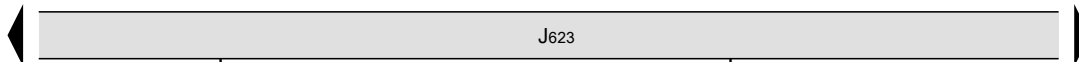
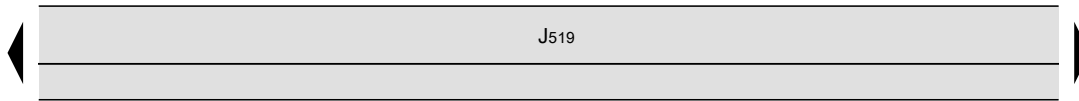
- ws = white
- sw = black
- ro = red
- rt = red
- br = brown
- gn = green
- bl = blue
- gr = grey
- li = purple
- vi = purple
- ge = yellow
- or = orange
- rs = pink

155 156 157 158 159 160 161 162 163 164 165 166 167 168

[NH0-136130516]

Engine control unit, Charge air cooling pump, Auxiliary pump for heating

- J519 Onboard supply control unit
- J623 Engine control unit
- T3m 3-pin connector
- T3n 3-pin connector
- T14a 14-pin connector, front left in engine compartment
- T60a 60-pin connector
- V188 Charge air cooling pump
- V488 Auxiliary pump for heating



- ws = white
- sw = black
- ro = red
- rt = red
- br = brown
- gn = green
- bl = blue
- gr = grey
- li = purple
- vi = purple
- ge = yellow
- or = orange
- rs = pink

169 170 171 172 173 174 175 176 177 178 179 180 181 182

[NH0-136140516]

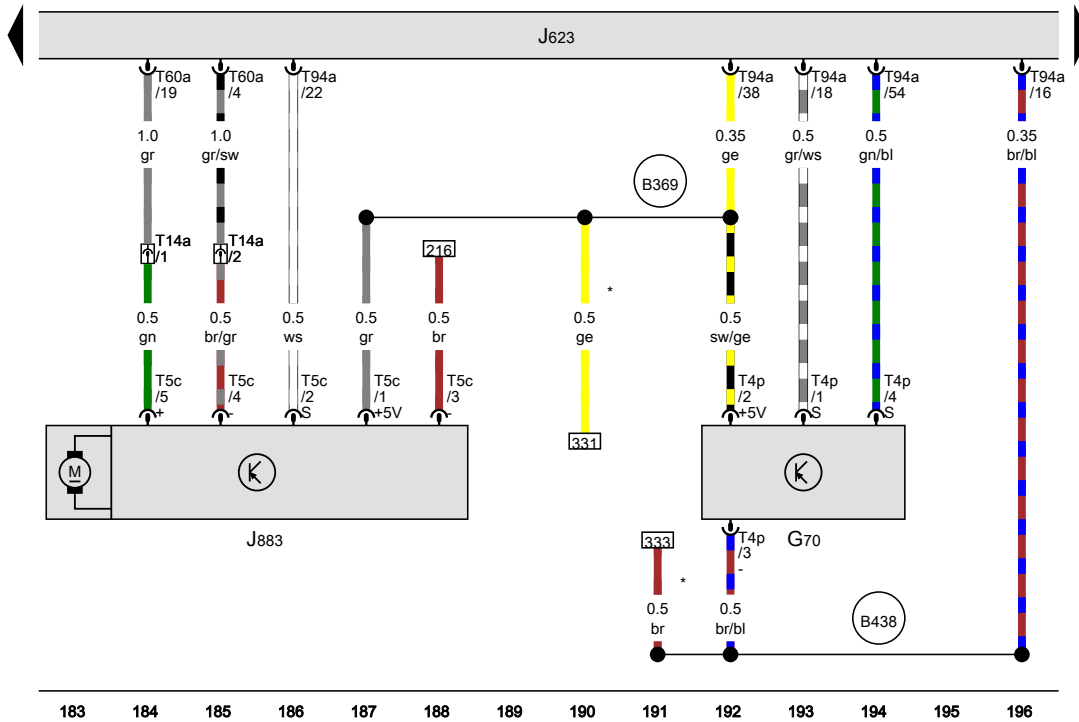
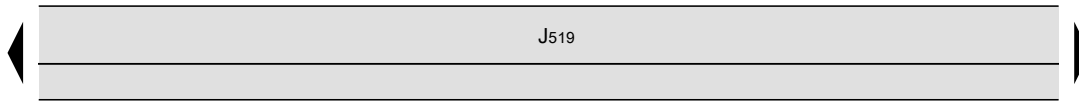
Air mass meter, Engine control unit, Exhaust flap control unit

- G70 Air mass meter
- J519 Onboard supply control unit
- J623 Engine control unit
- J883 Exhaust flap control unit
- T4p 4-pin connector
- T5c 5-pin connector
- T14a 14-pin connector, front left in engine compartment
- T60a 60-pin connector
- T94a 94-pin connector

B369 Connection 1 (5V), in main wiring harness

B438 Connection 2 (GND (earth)), in main wiring harness

* Only models with manual gearbox



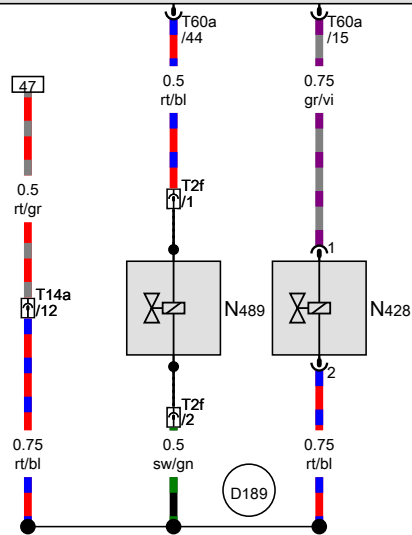
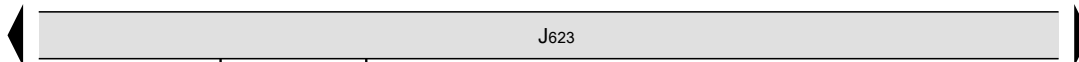
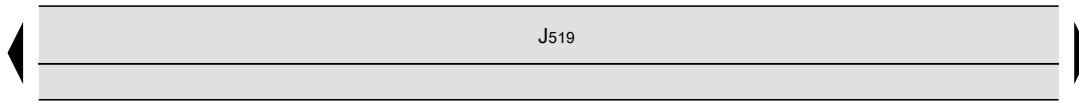
- ws = white
- sw = black
- ro = red
- rt = red
- br = brown
- gn = green
- bl = blue
- gr = grey
- li = purple
- vi = purple
- ge = yellow
- or = orange
- rs = pink

[NHN-136150516]

Engine control unit, Valve for oil pressure control, Coolant valve for cylinder head

- J519 Onboard supply control unit
- J623 Engine control unit
- N428 Valve for oil pressure control
- N489 Coolant valve for cylinder head
- T2f 2-pin connector
- T14a 14-pin connector, front left in engine compartment
- T60a 60-pin connector

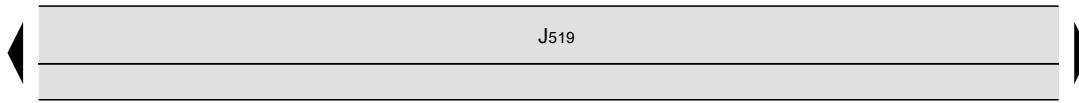
D189 Connection (87a) in engine prewiring harness



- ws = white
- sw = black
- ro = red
- rt = red
- br = brown
- gn = green
- bl = blue
- gr = grey
- li = purple
- vi = purple
- ge = yellow
- or = orange
- rs = pink

197 198 199 200 201 202 203 204 205 206 207 208 209 210

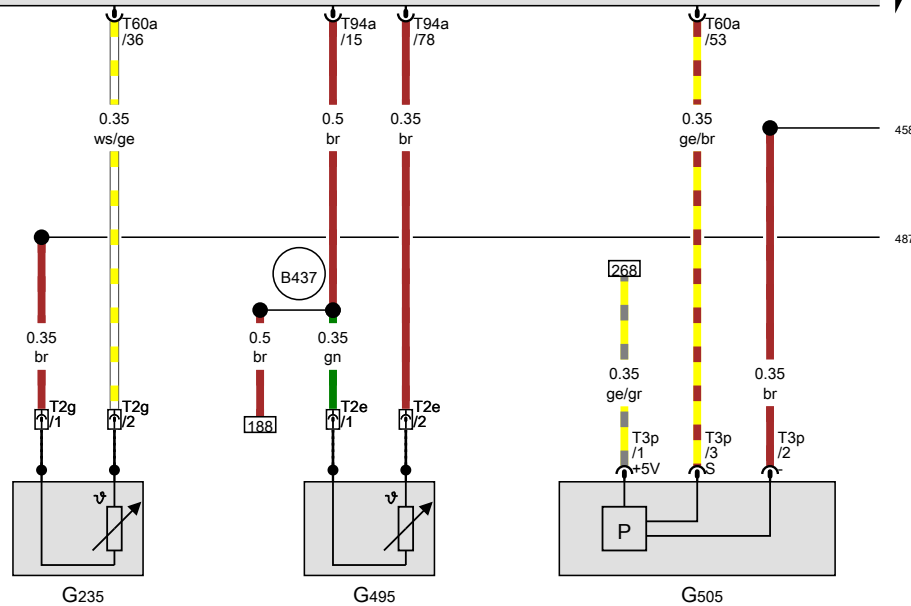
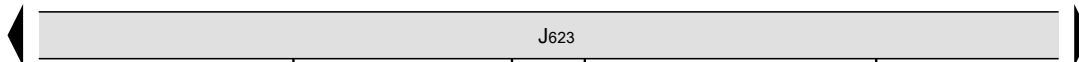
[NH0-136160516]



Exhaust gas temperature sender 1, Exhaust gas temperature sender 3, Pressure differential sender, Engine control unit

- G235 Exhaust gas temperature sender 1
- G495 Exhaust gas temperature sender 3
- G505 Pressure differential sender
- J519 Onboard supply control unit
- J623 Engine control unit
- T2e 2-pin connector, brown
- T2g 2-pin connector
- T3p 3-pin connector
- T60a 60-pin connector
- T94a 94-pin connector

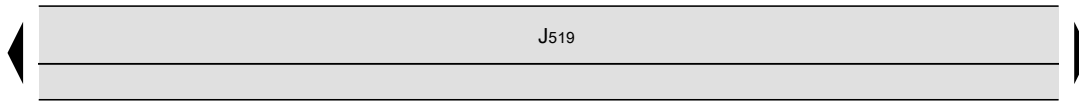
- 458 Earth point 3, engine prewiring harness
- 487 Earth point 5, engine prewiring harness
- B437 Connection 1 (GND (earth)), in main wiring harness



- ws = white
- sw = black
- ro = red
- rt = red
- br = brown
- gn = green
- bl = blue
- gr = grey
- li = purple
- vi = purple
- ge = yellow
- or = orange
- rs = pink

211 212 213 214 215 216 217 218 219 220 221 222 223 224

[NH0-136170516]



**Charge air temperature sender before charge air cooler,
Charge air temperature sender after charge air cooler,
Engine control unit**

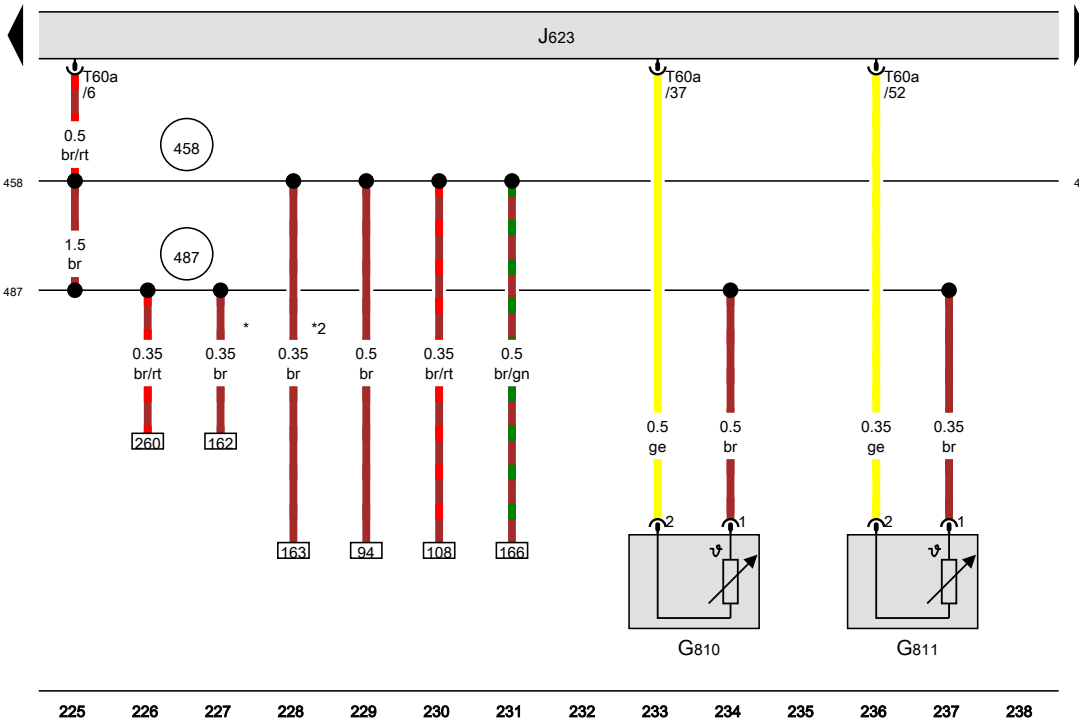
- G810 Charge air temperature sender before charge air cooler
- G811 Charge air temperature sender after charge air cooler
- J519 Onboard supply control unit
- J623 Engine control unit
- T60a 60-pin connector

458 Earth point 3, engine prewiring harness

487 Earth point 5, engine prewiring harness

* Only models with automatic gearbox

*2 Only models with manual gearbox



- ws = white
- sw = black
- ro = red
- rt = red
- br = brown
- gn = green
- bl = blue
- gr = grey
- li = purple
- vi = purple
- ge = yellow
- or = orange
- rs = pink

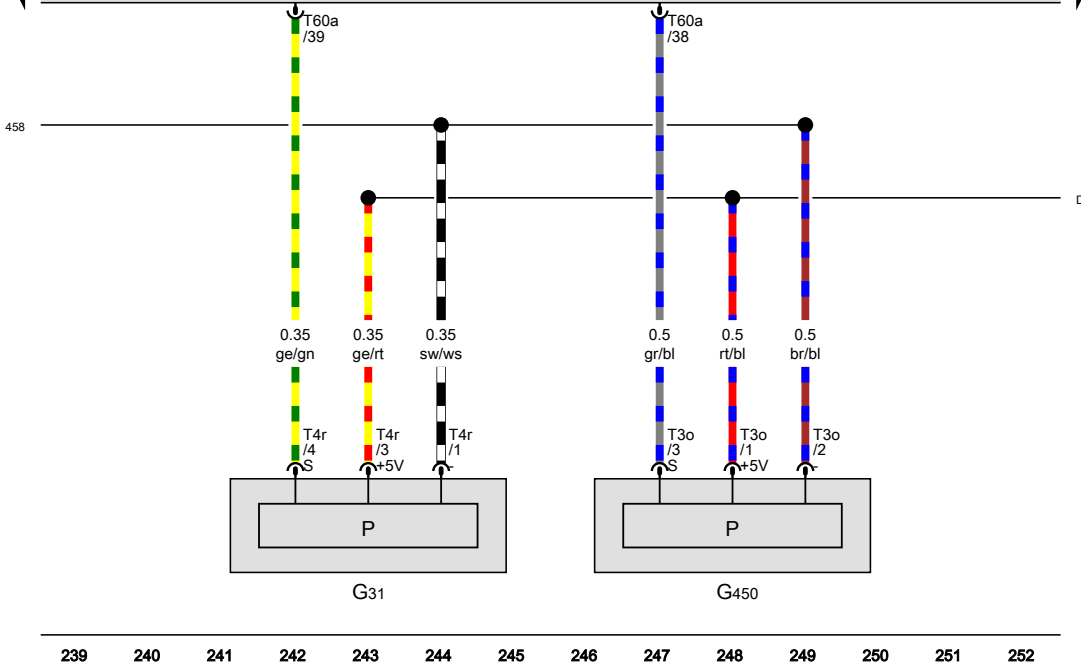
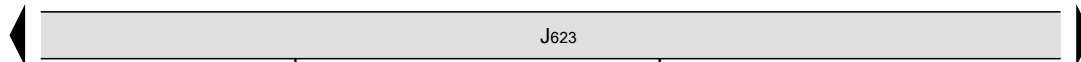
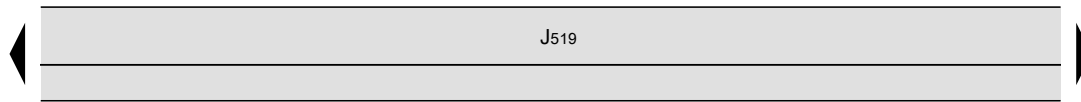
[NH0-136180516]

Charge pressure sender, Exhaust gas pressure sensor 1, Engine control unit

- G31 Charge pressure sender
- G450 Exhaust gas pressure sensor 1
- J519 Onboard supply control unit
- J623 Engine control unit
- T3o 3-pin connector
- T4r 4-pin connector
- T60a 60-pin connector

458 Earth point 3, engine prewiring harness

D174 Connection 2 (5V) in engine prewiring harness



- ws = white
- sw = black
- ro = red
- rt = red
- br = brown
- gn = green
- bl = blue
- gr = grey
- li = purple
- vi = purple
- ge = yellow
- or = orange
- rs = pink

239 240 241 242 243 244 245 246 247 248 249 250 251 252

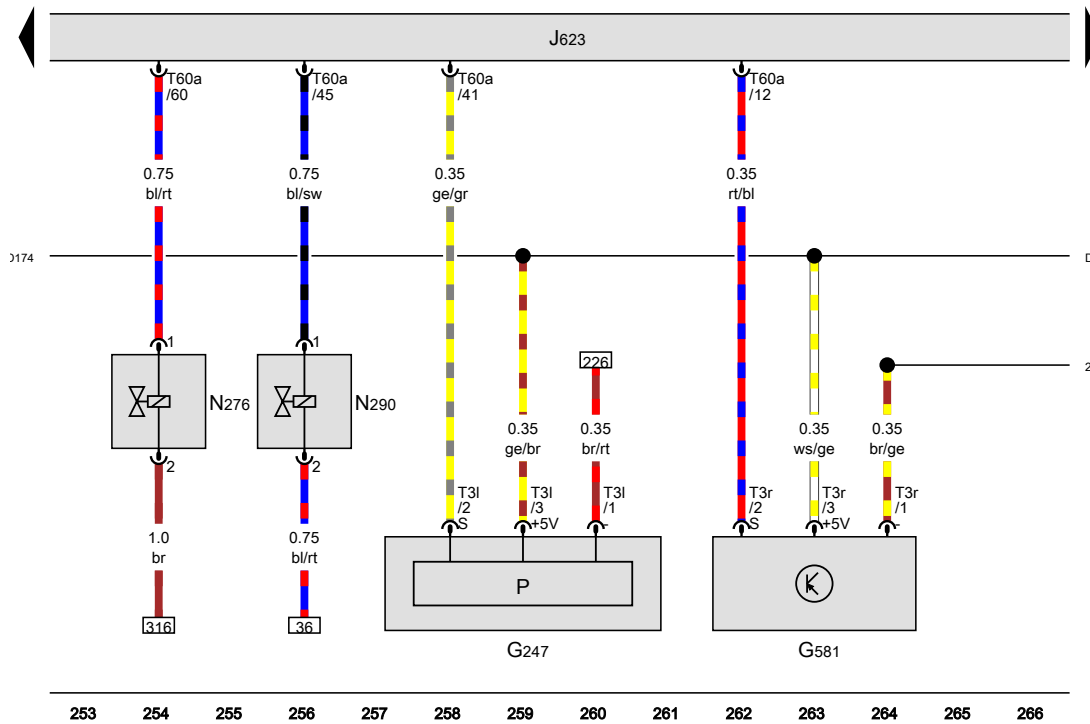
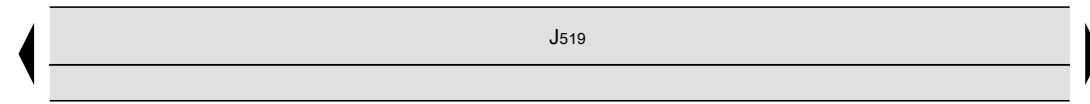
[NH0-136190516]

Fuel pressure sender, Position sender for charge pressure positioner, Engine control unit, Fuel pressure regulating valve, Fuel metering valve

- G247 Fuel pressure sender
- G581 Position sender for charge pressure positioner
- J519 Onboard supply control unit
- J623 Engine control unit
- N276 Fuel pressure regulating valve
- N290 Fuel metering valve
- T3l 3-pin connector
- T3r 3-pin connector
- T60a 60-pin connector

281 Earth point 1, engine prewiring harness

D174 Connection 2 (5V) in engine prewiring harness



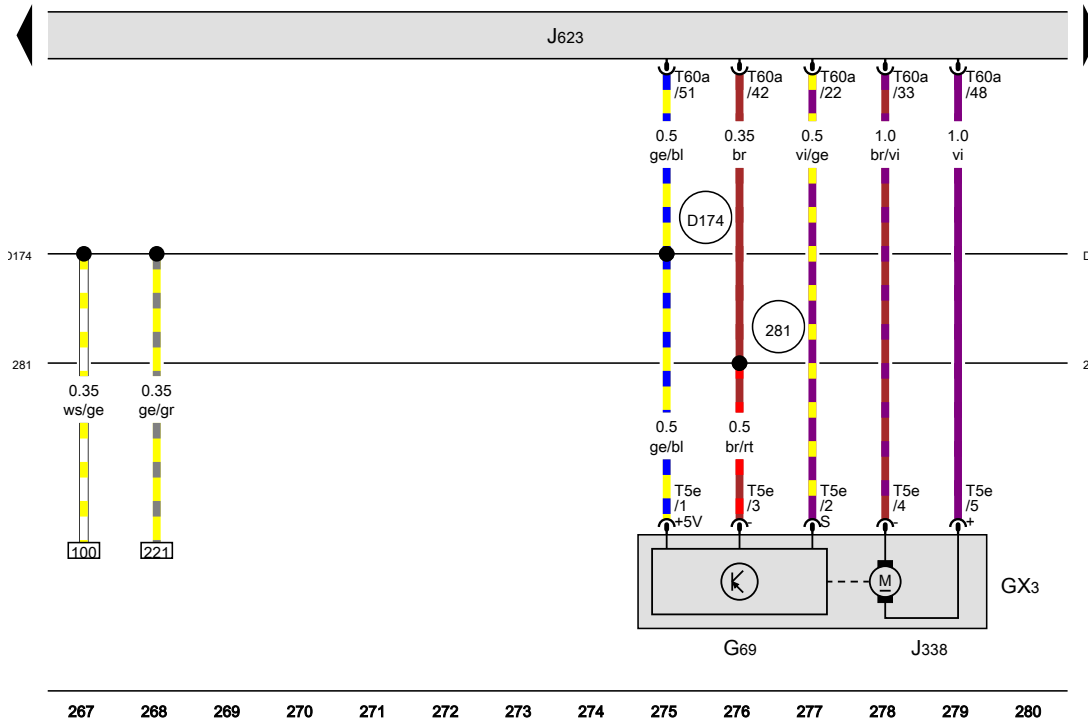
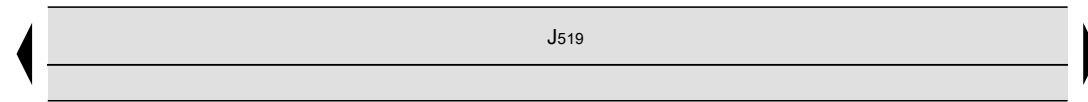
- ws = white
- sw = black
- ro = red
- rt = red
- br = brown
- gn = green
- bl = blue
- gr = grey
- li = purple
- vi = purple
- ge = yellow
- or = orange
- rs = pink

Throttle valve module, Engine control unit

- GX3 Throttle valve module
- G69 Throttle valve potentiometer
- J338 Throttle valve module
- J519 Onboard supply control unit
- J623 Engine control unit
- T5e 5-pin connector
- T60a 60-pin connector

281 Earth point 1, engine prewiring harness

D174 Connection 2 (5V) in engine prewiring harness



[NH0-136210516]

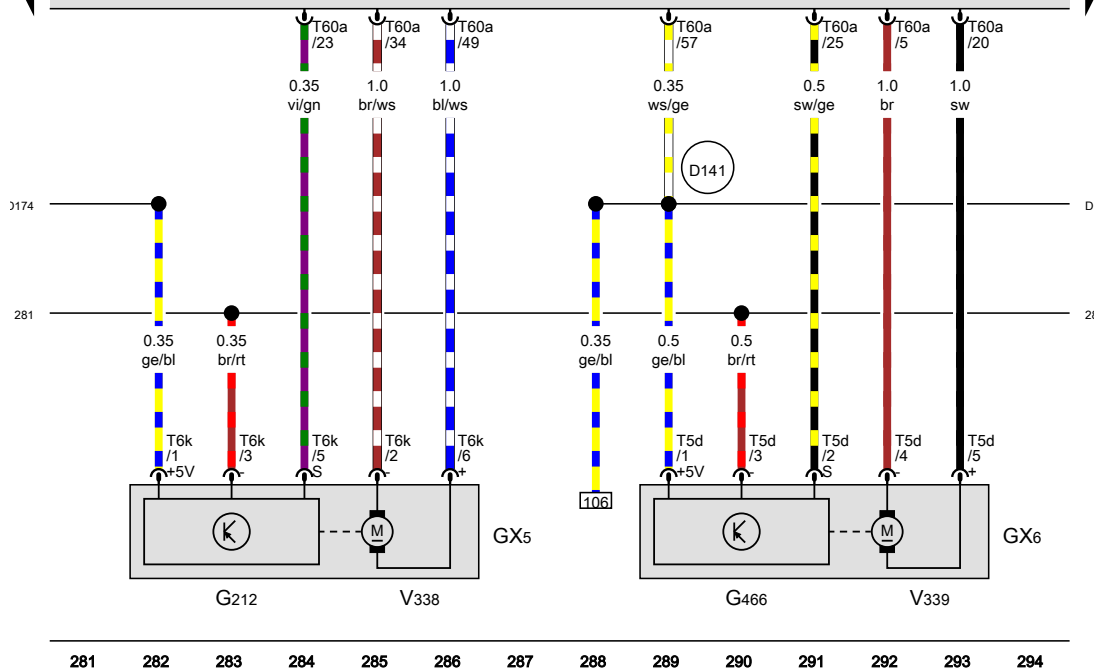
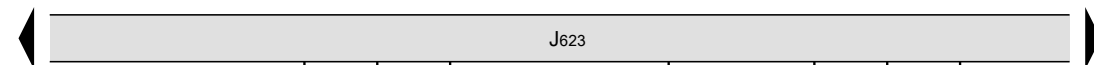
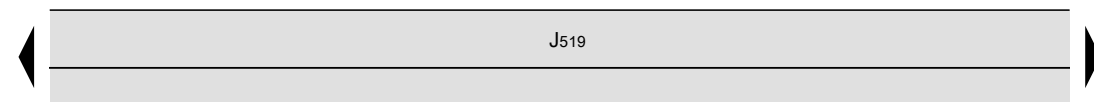
Exhaust gas recirculation valve 1, Exhaust gas recirculation valve 2, Engine control unit

- GX5 Exhaust gas recirculation valve 1
- GX6 Exhaust gas recirculation valve 2
- G212 Exhaust gas recirculation potentiometer
- G466 Exhaust gas recirculation potentiometer 2
- J519 Onboard supply control unit
- J623 Engine control unit
- T5d 5-pin connector
- T6k 6-pin connector
- T60a 60-pin connector
- V338 Exhaust gas recirculation control motor
- V339 Exhaust gas recirculation control motor 2

281 Earth point 1, engine prewiring harness

D141 Connection (5V) in engine prewiring harness

D174 Connection 2 (5V) in engine prewiring harness



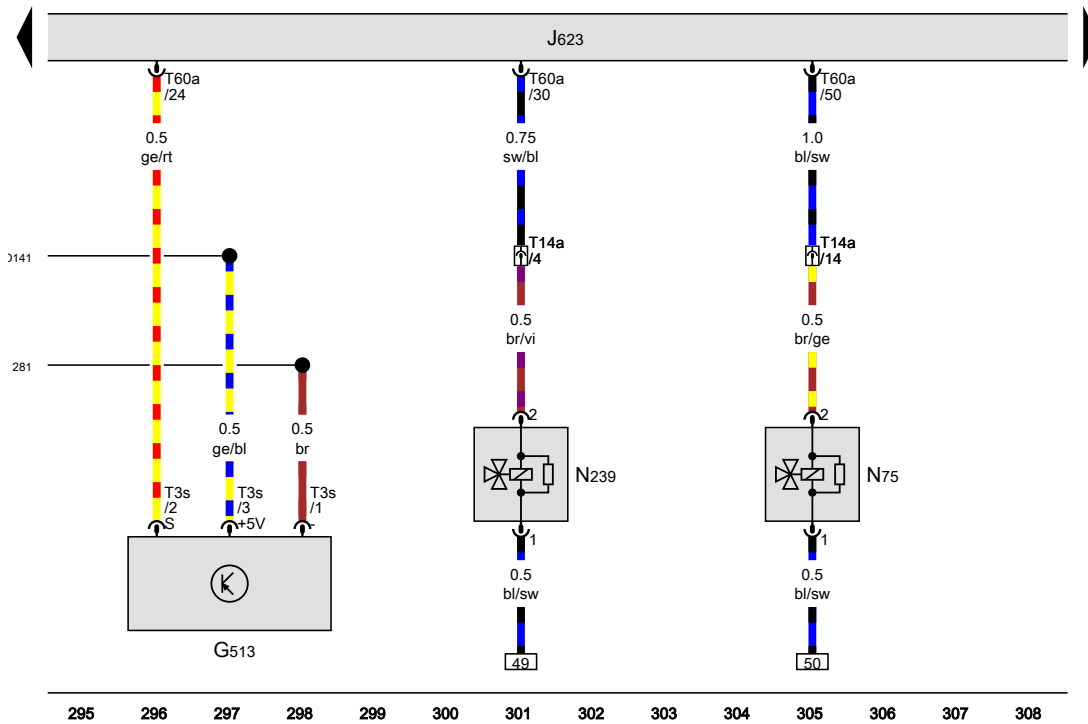
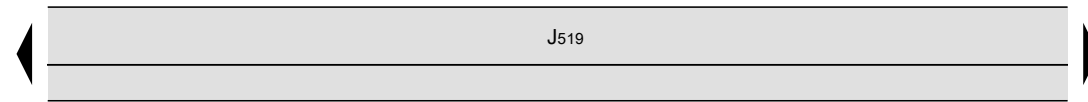
- ws = white
- sw = black
- ro = red
- rt = red
- br = brown
- gn = green
- bl = blue
- gr = grey
- li = purple
- vi = purple
- ge = yellow
- or = orange
- rs = pink

Variable intake manifold position sender, Engine control unit, Charge pressure control solenoid valve, Variable intake manifold flap changeover valve

- G513 Variable intake manifold position sender
- J519 Onboard supply control unit
- J623 Engine control unit
- N75 Charge pressure control solenoid valve
- N239 Variable intake manifold flap changeover valve
- T3s 3-pin connector
- T14a 14-pin connector, front left in engine compartment
- T60a 60-pin connector

281 Earth point 1, engine prewiring harness

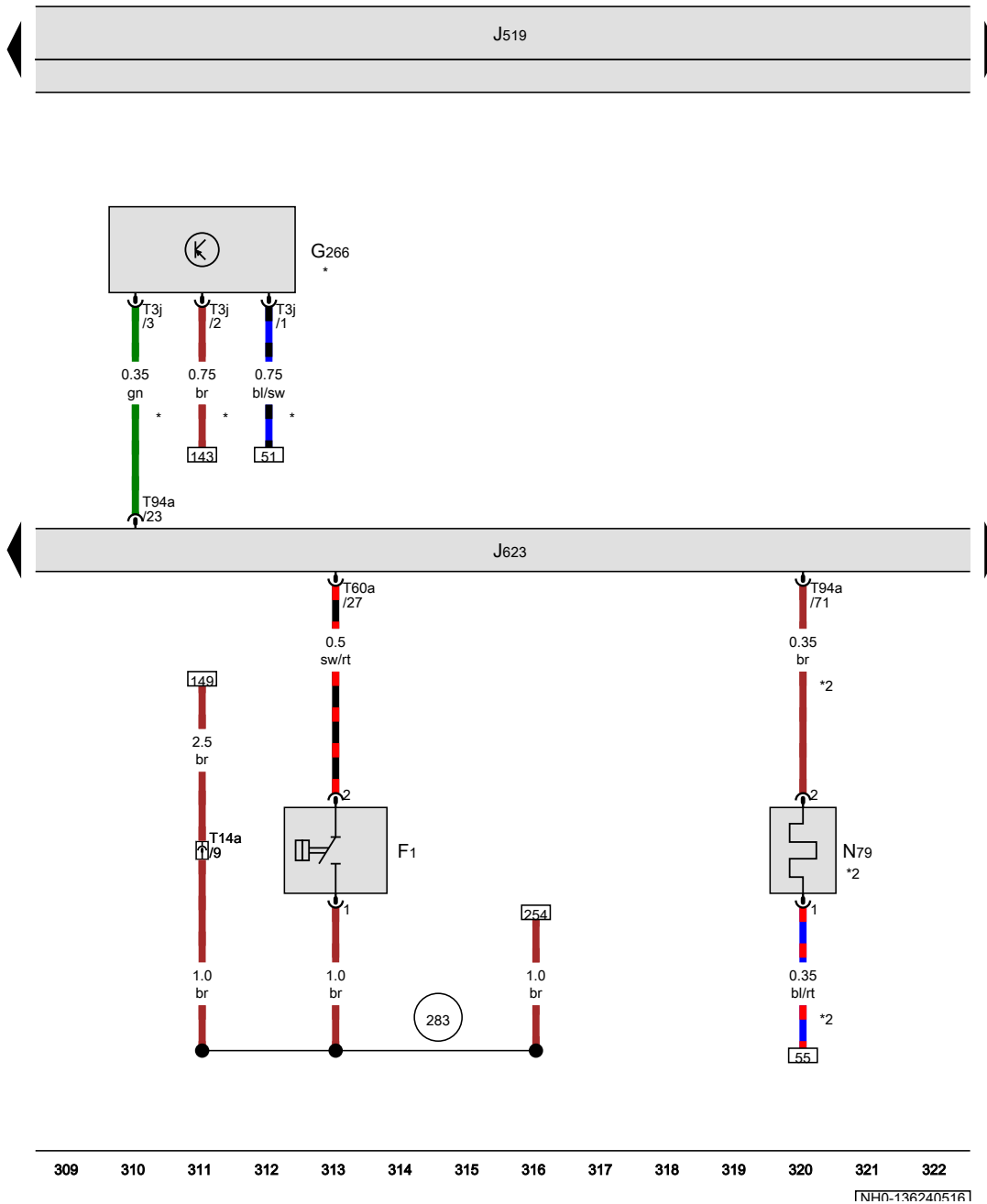
D141 Connection (5V) in engine prewiring harness



[NH0-136230516]

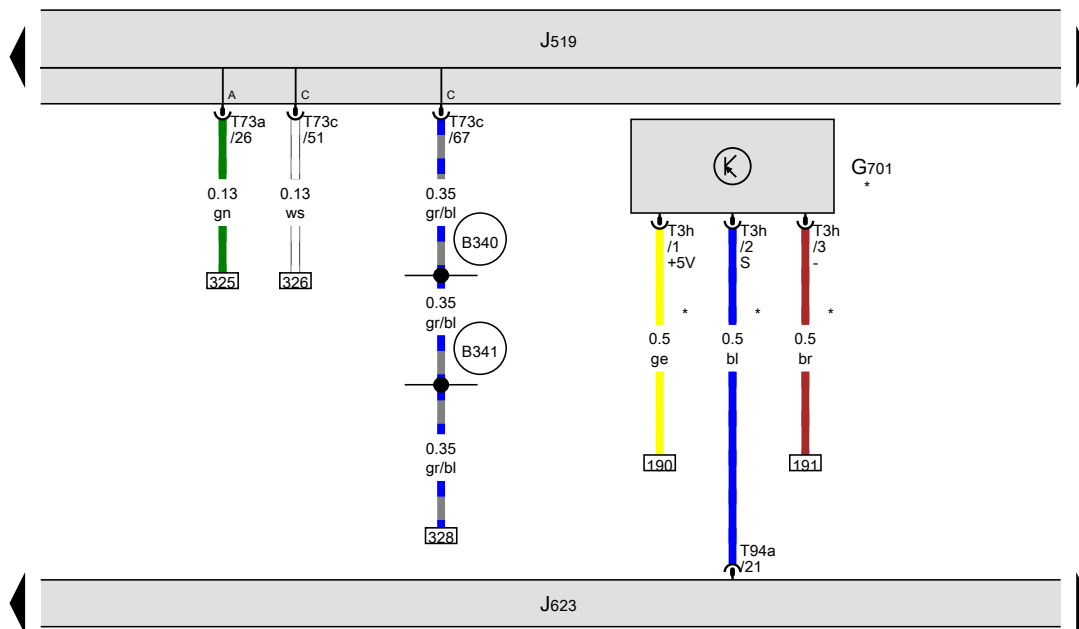
Oil pressure switch, Oil level and oil temperature sender, Engine control unit, Heater element for crankcase breather

- F1 Oil pressure switch
- G266 Oil level and oil temperature sender
- J519 Onboard supply control unit
- J623 Engine control unit
- N79 Heater element for crankcase breather
- T3j 3-pin connector
- T14a 14-pin connector, front left in engine compartment
- T60a 60-pin connector
- T94a 94-pin connector
- 283 Earth point 2, engine prewiring harness
- * Only models with extended servicing intervals (ESI)
- *2 Special equipment



- ws = white
- sw = black
- ro = red
- rt = red
- br = brown
- gn = green
- bl = blue
- gr = grey
- li = purple
- vi = purple
- ge = yellow
- or = orange
- rs = pink

Centre switch module in dash panel, Start/Stop operation button, Gearbox neutral position sender, Engine control unit

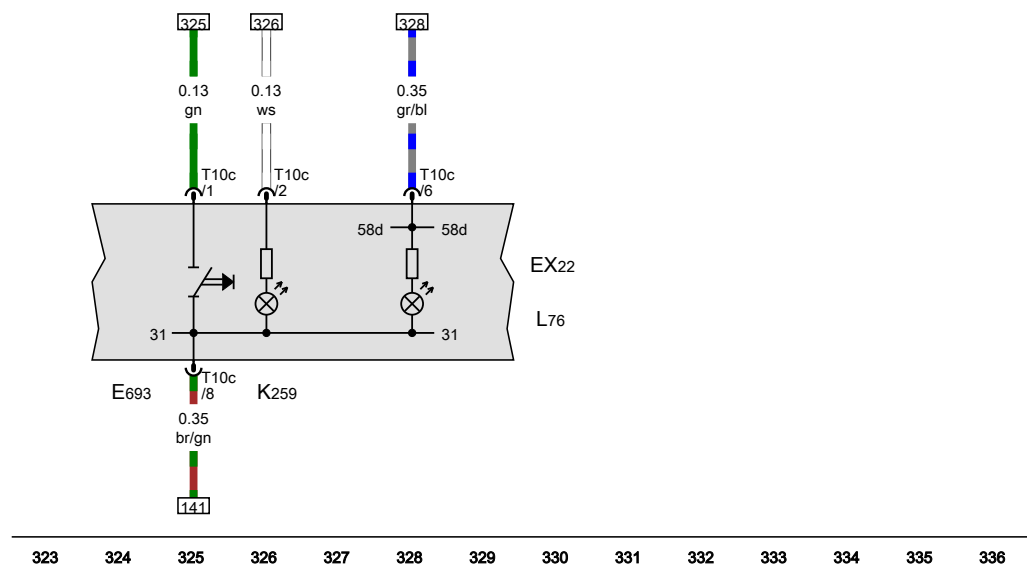


- EX22 Centre switch module in dash panel
- E693 Start/Stop operation button
- G701 Gearbox neutral position sender
- J519 Onboard supply control unit
- J623 Engine control unit
- K259 Start/Stop operation warning lamp
- L76 Button illumination bulb
- T3h 3-pin connector
- T10c 10-pin connector, black
- T73a 73-pin connector, black
- T73c 73-pin connector, black
- T94a 94-pin connector

B340 Connection 1 (58d), in main wiring harness

B341 Connection 2 (58d), in main wiring harness

* Only models with manual gearbox



- ws = white
- sw = black
- ro = red
- rt = red
- br = brown
- gn = green
- bl = blue
- gr = grey
- li = purple
- vi = purple
- ge = yellow
- or = orange
- rs = pink

Fuel delivery unit, Fuel pump relay, Engine control unit

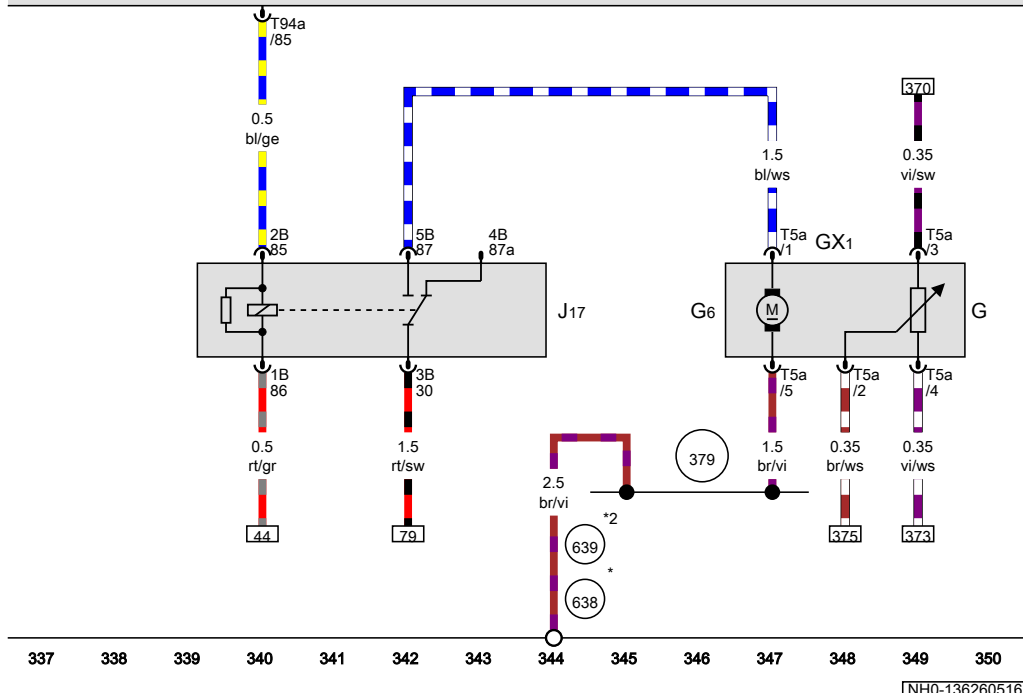
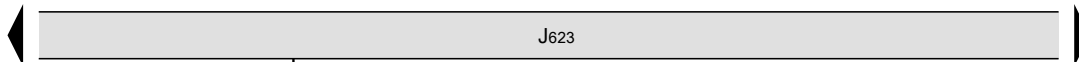
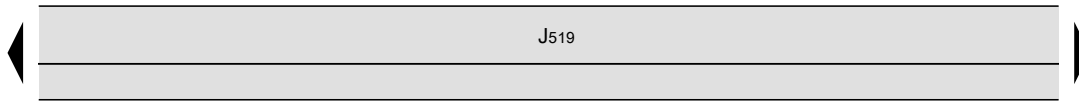
- G Fuel gauge sender
- GX1 Fuel delivery unit
- G6 Fuel system pressurisation pump
- J17 Fuel pump relay
- J519 Onboard supply control unit
- J623 Engine control unit
- T5a 5-pin connector
- T94a 94-pin connector

379 Earth connection 14, in main wiring harness

638 Earth point, on right A-pillar

639 Earth point, left A-pillar

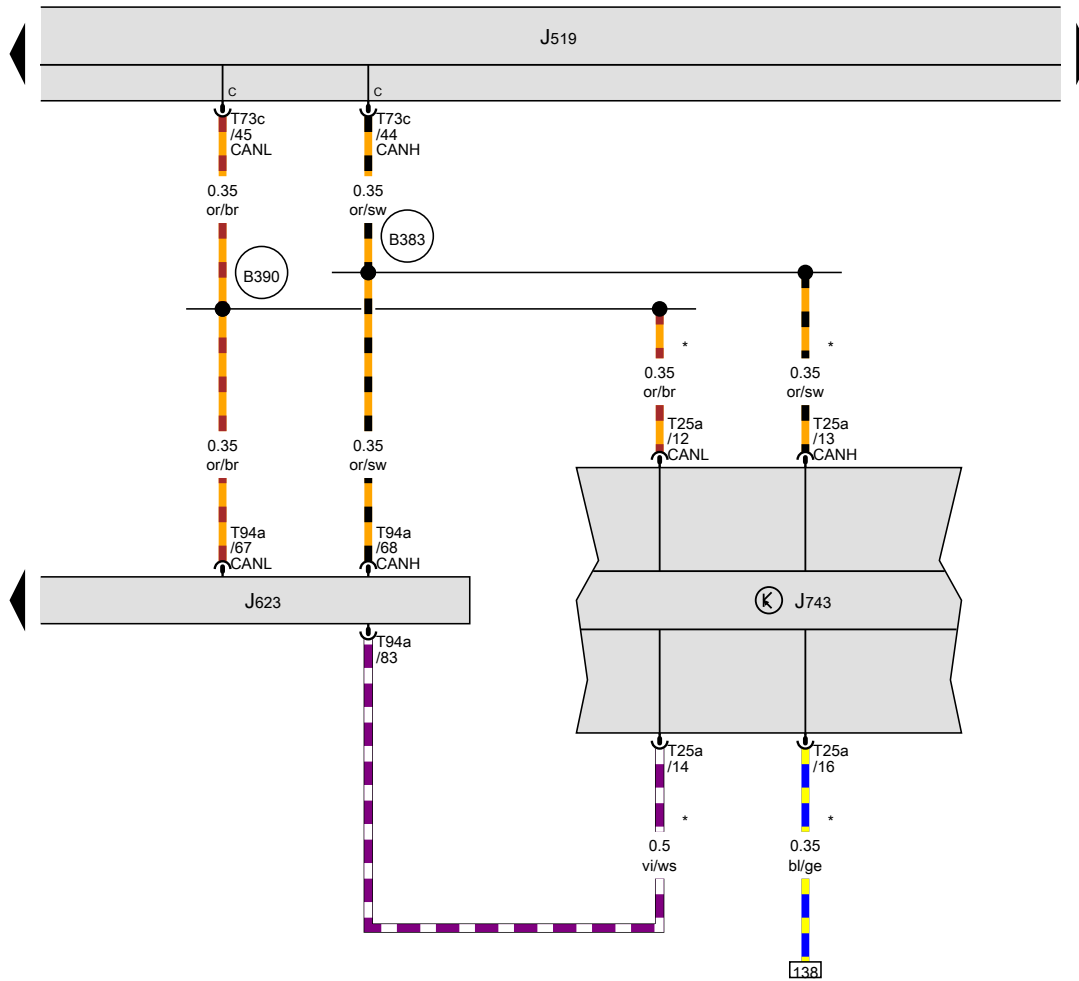
* Only left-hand drive models
 *2 Only right-hand drive models



- ws = white
- sw = black
- ro = red
- rt = red
- br = brown
- gn = green
- bl = blue
- gr = grey
- li = purple
- vi = purple
- ge = yellow
- or = orange
- rs = pink

[NHN-136260516]

Engine control unit, Mechatronic unit for dual clutch gearbox



- J519 Onboard supply control unit
- J623 Engine control unit
- J743 Mechatronic unit for dual clutch gearbox
- T25a 25-pin connector
- T73c 73-pin connector, black
- T94a 94-pin connector
- B383 Connection 1 (powertrain CAN bus, high), in main wiring harness
- B390 Connection 1 (powertrain CAN bus, low), in main wiring harness
- * Only models with automatic gearbox

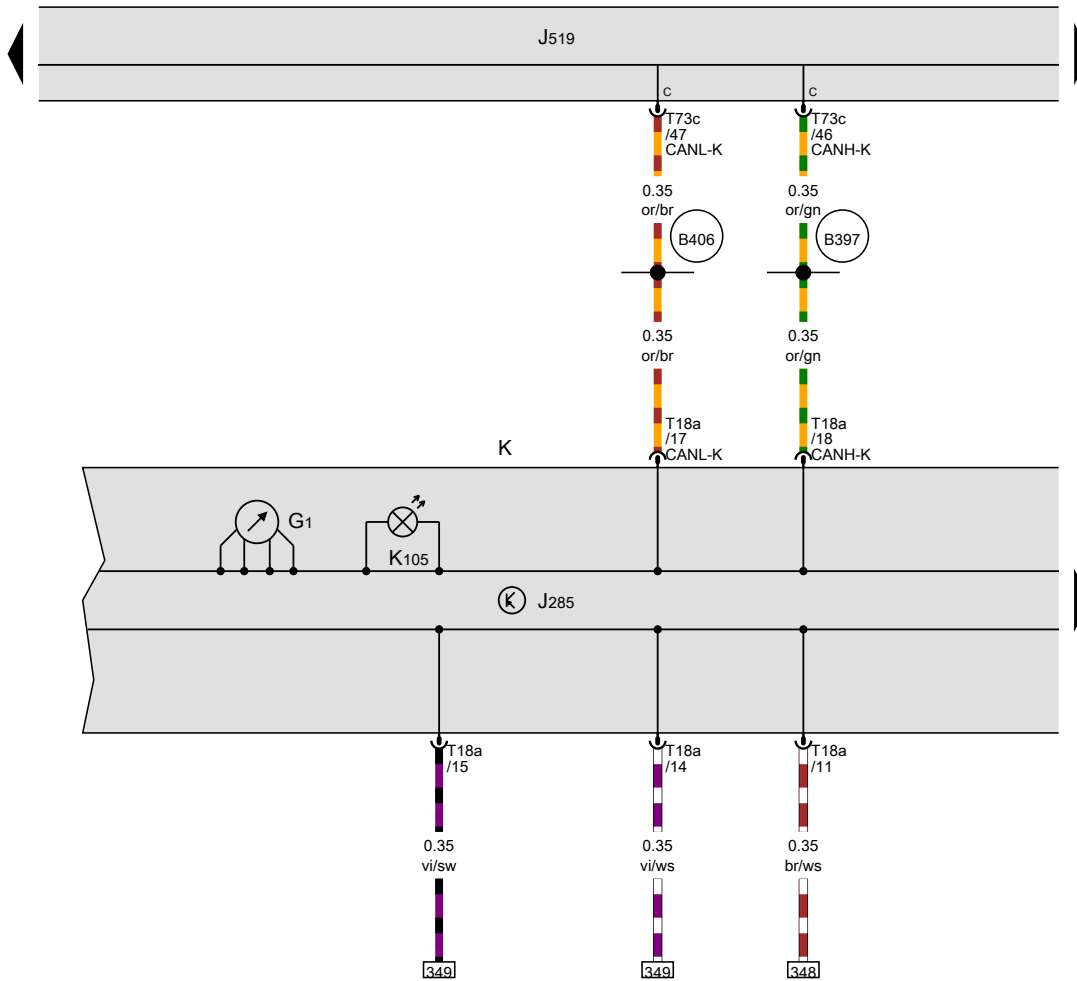
- ws = white
- sw = black
- ro = red
- rt = red
- br = brown
- gn = green
- bl = blue
- gr = grey
- li = purple
- vi = purple
- ge = yellow
- or = orange
- rs = pink

351 352 353 354 355 356 357 358 359 360 361 362 363 364

[NH0-136270516]

Fuel gauge, Dash panel insert

- G1 Fuel gauge
- J285 Control unit in dash panel insert
- J519 Onboard supply control unit
- K Dash panel insert
- K105 Reserve fuel warning lamp
- T18a 18-pin connector
- T73c 73-pin connector, black
- B397 Connection 1 (convenience CAN bus, high), in main wiring harness
- B406 Connection 1 (convenience CAN bus, low), in main wiring harness



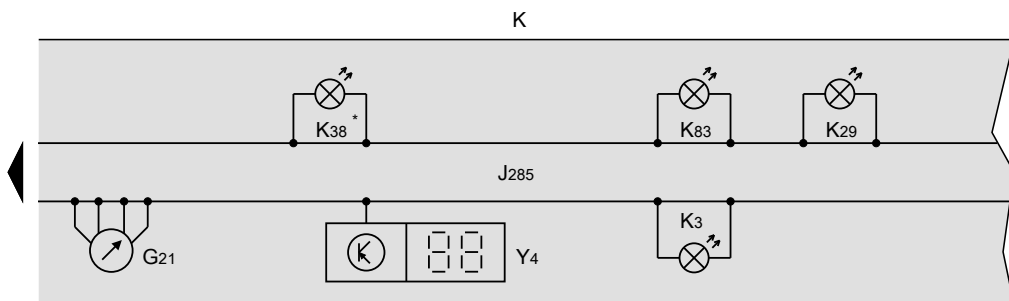
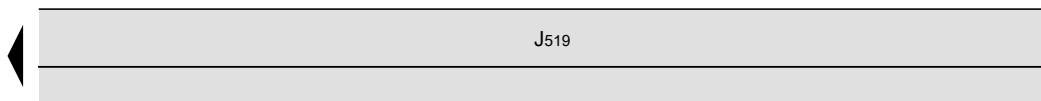
- ws = white
- sw = black
- ro = red
- rt = red
- br = brown
- gn = green
- bl = blue
- gr = grey
- li = purple
- vi = purple
- ge = yellow
- or = orange
- rs = pink

365 366 367 368 369 370 371 372 373 374 375 376 377 378

[NH0-136280516]

Speedometer, Dash panel insert, Trip counter

- G21 Speedometer
- J285 Control unit in dash panel insert
- J519 Onboard supply control unit
- K Dash panel insert
- K3 Oil pressure warning lamp
- K29 Glow period warning lamp
- K38 Oil level warning lamp
- K83 Exhaust emissions warning lamp
- Y4 Trip counter
- * Only models with extended servicing intervals (ESI)



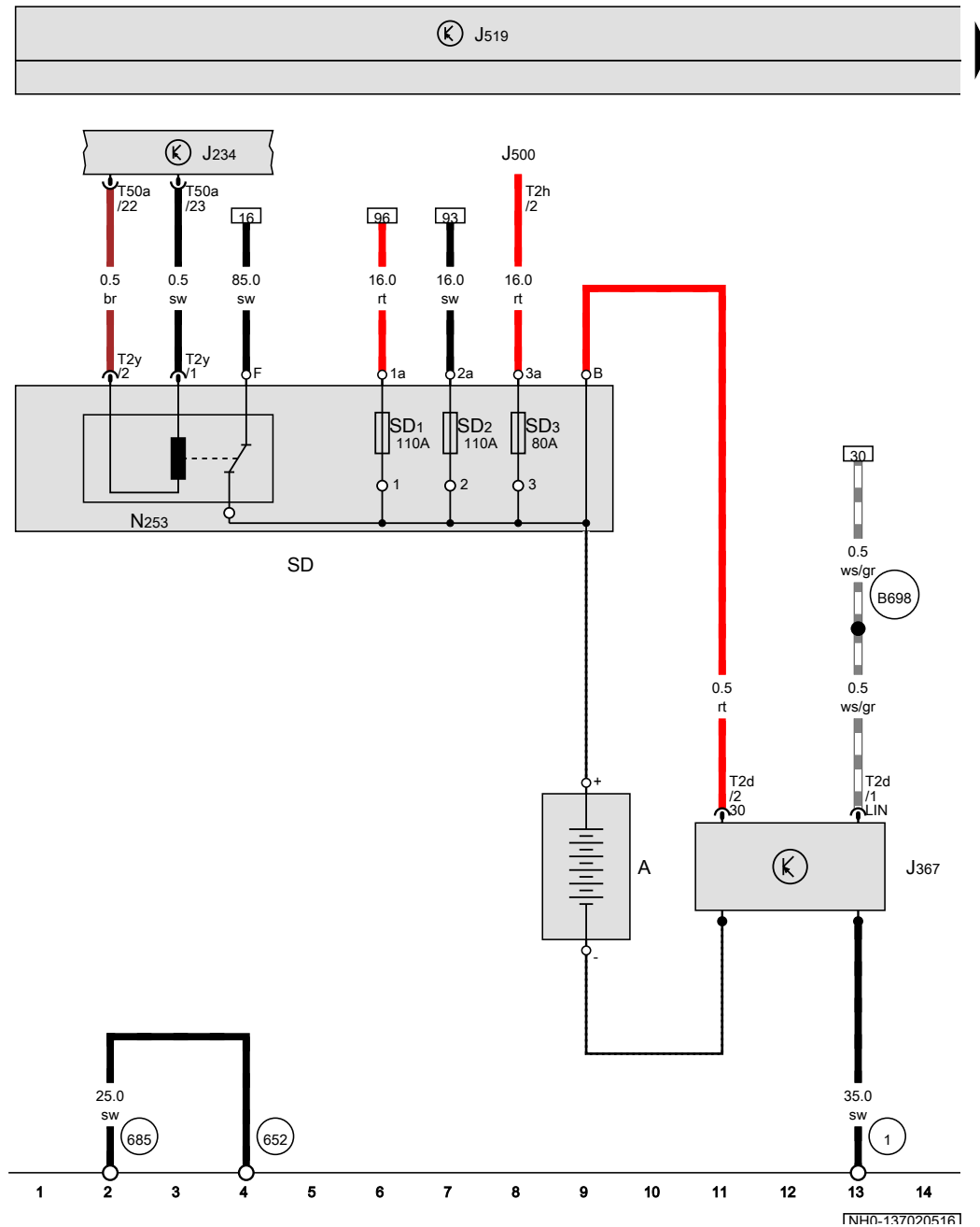
- ws = white
- sw = black
- ro = red
- rt = red
- br = brown
- gn = green
- bl = blue
- gr = grey
- li = purple
- vi = purple
- ge = yellow
- or = orange
- rs = pink

379 380 381 382 383 384 385 386 387 388 389 390 391 392

[NH0-136290516]

1.6l diesel engine with start/stop system , CXMA,(7L6)

From May 2016



Battery, Airbag control unit, Battery monitor control unit, Battery isolation igniter, Fuse holder D

- A Battery
- J234 Airbag control unit
- J367 Battery monitor control unit
- J500 Power steering control unit
- J519 Onboard supply control unit
- N253 Battery isolation igniter
- SD Fuse holder D
- SD1 Fuse 1 on fuse holder D
- SD2 Fuse 2 on fuse holder D
- SD3 Fuse 3 on fuse holder D
- T2d 2-pin connector
- T2h 2-pin connector
- T2y 2-pin connector
- T50a 50-pin connector

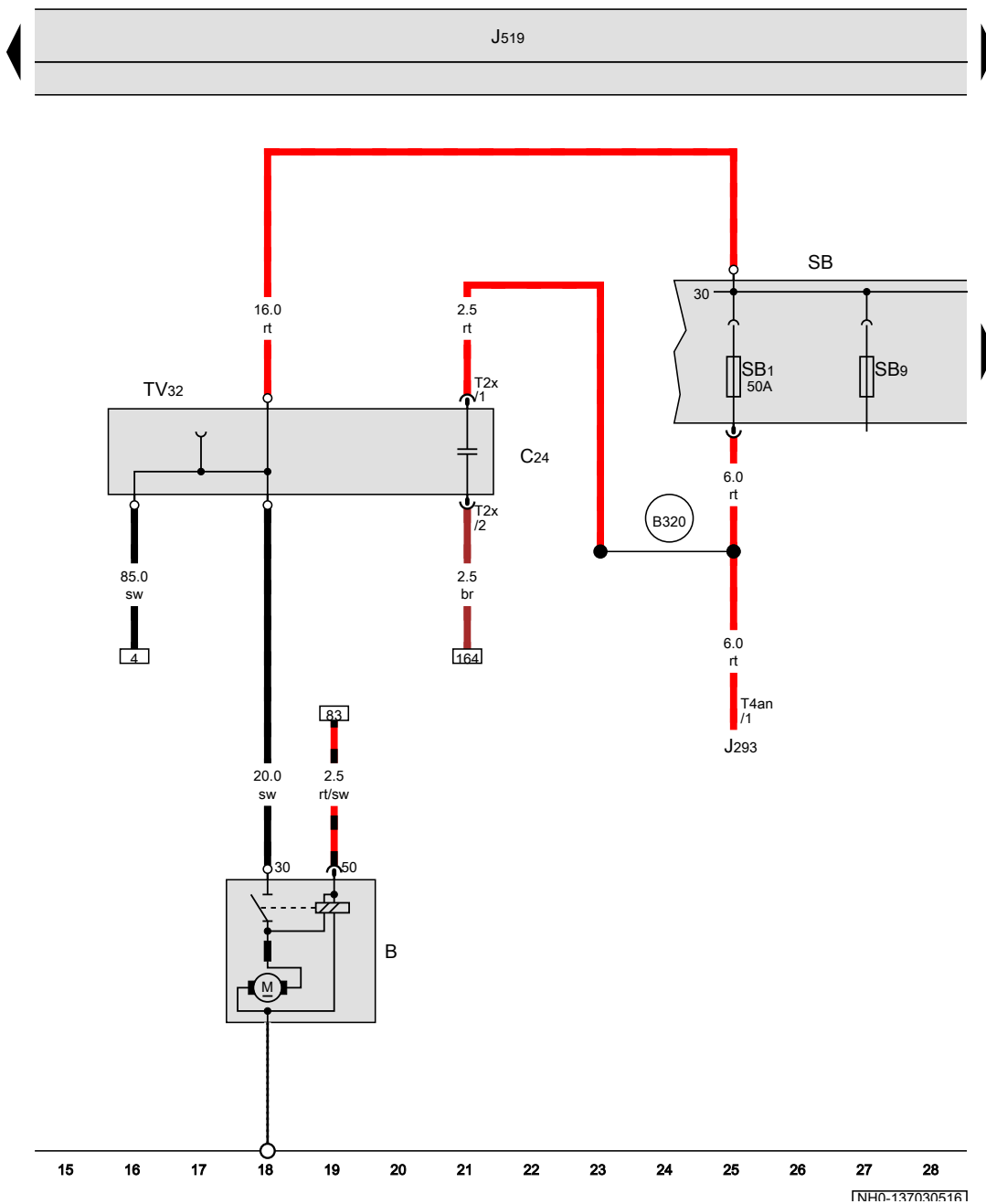
- 1 Earth strap, battery - body
- 652 Earth point, engine and gearbox earth
- 685 Earth point 1 at front of right longitudinal member
- B698 Connection 3 (LIN bus) in main wiring harness

- ws = white
- sw = black
- ro = red
- rt = red
- br = brown
- gn = green
- bl = blue
- gr = grey
- li = purple
- vi = purple
- ge = yellow
- or = orange
- rs = pink

[NH0-137020516]

Starter, Fuse holder B, Jump start connection

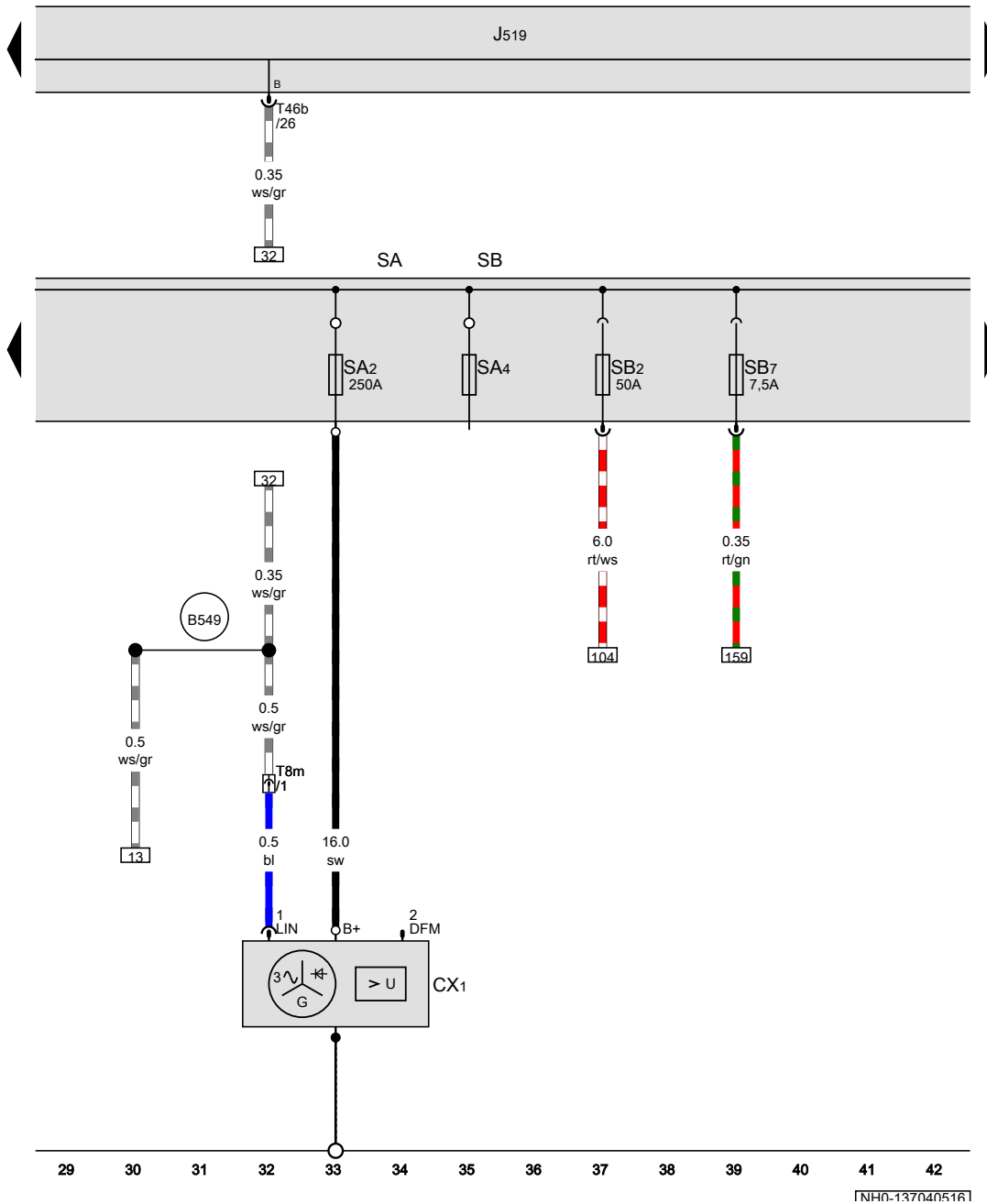
- B Starter
- C24 Suppression filter
- J293 Radiator fan control unit
- J519 Onboard supply control unit
- SB Fuse holder B
- SB1 Fuse 1 on fuse holder B
- SB9 Fuse 9 on fuse holder B
- T2x 2-pin connector
- T4an 4-pin connector
- TV32 Jump start connection
- B320 Positive connection 6 (30a) in main wiring harness



[NH0-137030516]

Alternator with voltage regulator, Fuse holder A, Fuse holder B

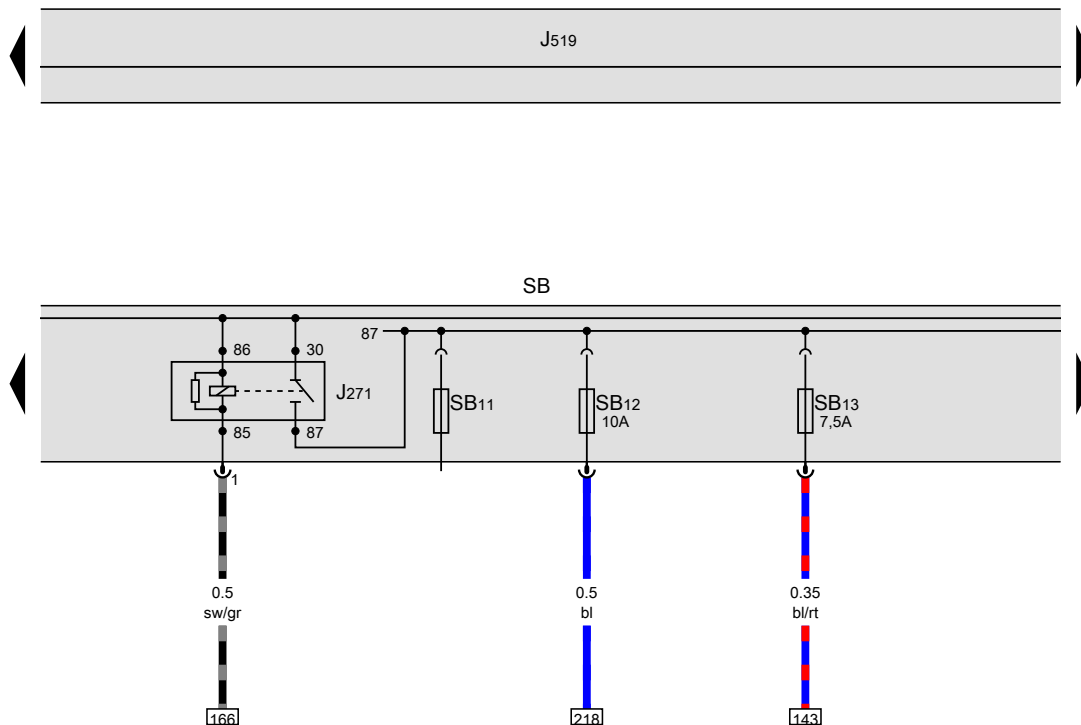
- CX1 Alternator with voltage regulator
- J519 Onboard supply control unit
- SA Fuse holder A
- SA2 Fuse 2 in fuse holder A
- SB2 Fuse 2 on fuse holder B
- SA4 Fuse 4 in fuse holder A
- SB Fuse holder B
- SB7 Fuse 7 on fuse holder B
- T8m 8-pin connector, front left in engine compartment
- T46b 46-pin connector, brown
- B549 Connection 2 (LIN bus) in main wiring harness



- ws = white
- sw = black
- ro = red
- rt = red
- br = brown
- gn = green
- bl = blue
- gr = grey
- li = purple
- vi = purple
- ge = yellow
- or = orange
- rs = pink

Main relay, Fuse holder B

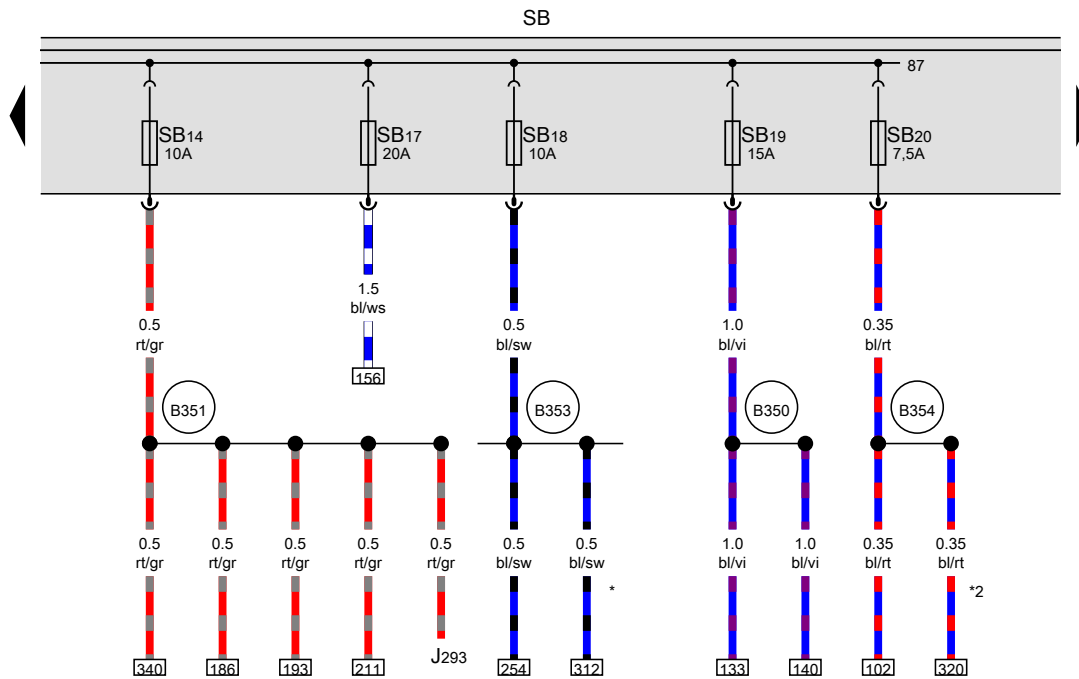
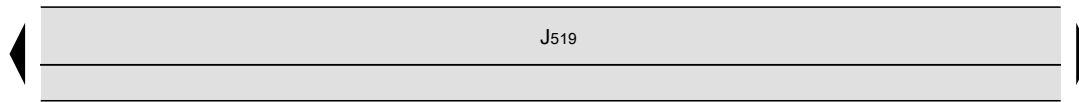
- J271 Main relay
- J519 Onboard supply control unit
- SB Fuse holder B
- SB11 Fuse 11 on fuse holder B
- SB12 Fuse 12 on fuse holder B
- SB13 Fuse 13 on fuse holder B



- ws = white
- sw = black
- ro = red
- rt = red
- br = brown
- gn = green
- bl = blue
- gr = grey
- li = purple
- vi = purple
- ge = yellow
- or = orange
- rs = pink

43 44 45 46 47 48 49 50 51 52 53 54 55 56

[NH0-137050516]



Fuse holder B

- J293 Radiator fan control unit
- J519 Onboard supply control unit
- SB Fuse holder B
- SB14 Fuse 14 on fuse holder B
- SB17 Fuse 17 on fuse holder B
- SB18 Fuse 18 on fuse holder B
- SB19 Fuse 19 on fuse holder B
- SB20 Fuse 20 on fuse holder B

- B350 Positive connection 1 (87a) in main wiring harness
- B351 Positive connection 2 (87a) in main wiring harness
- B353 Positive connection 4 (87a) in main wiring harness
- B354 Positive connection 5 (87a) in main wiring harness

- * Only models with extended servicing intervals (ESI)
- *2 Special equipment

- ws = white
- sw = black
- ro = red
- rt = red
- br = brown
- gn = green
- bl = blue
- gr = grey
- li = purple
- vi = purple
- ge = yellow
- or = orange
- rs = pink

57 58 59 60 61 62 63 64 65 66 67 68 69 70

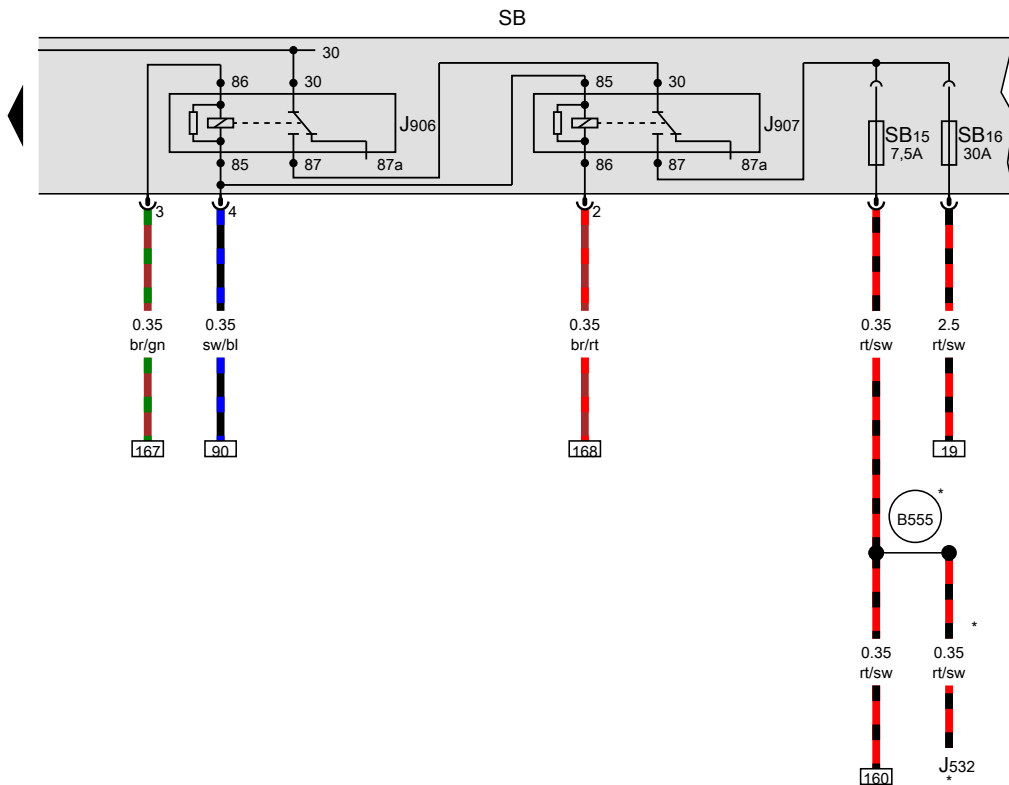
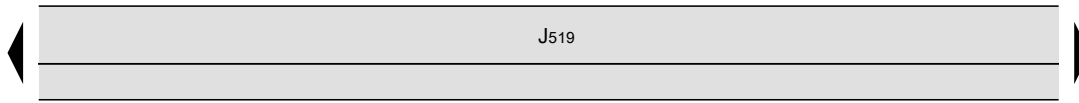
[NH0-137060516]

Starter relay 1, Starter relay 2, Fuse holder B

- J519 Onboard supply control unit
- J532 Voltage stabiliser, under seat on front left
- J906 Starter relay 1
- J907 Starter relay 2
- SB Fuse holder B
- SB15 Fuse 15 on fuse holder B
- SB16 Fuse 16 on fuse holder B

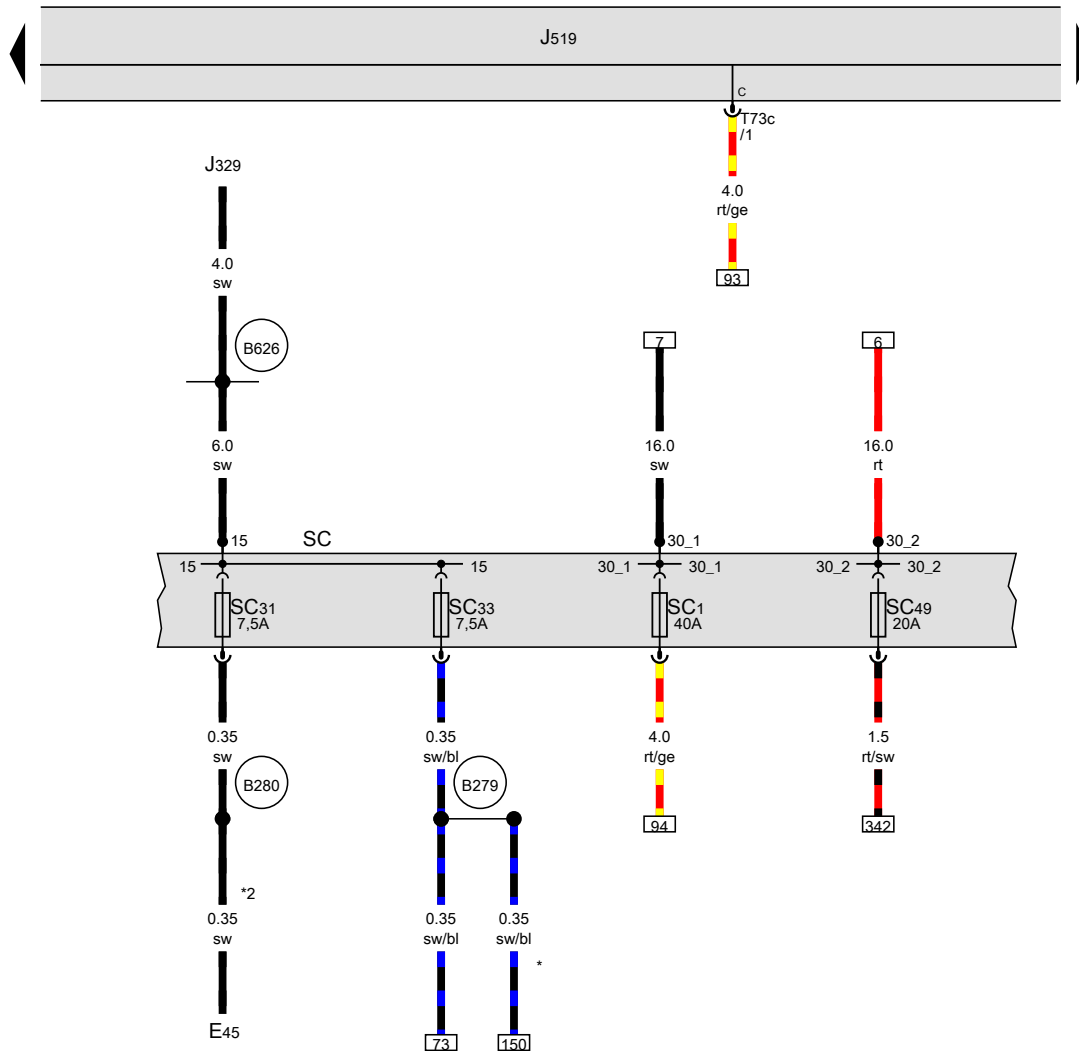
B555 Positive connection 2 (50), in main wiring harness

* Only models with taxi equipment



71 72 73 74 75 76 77 78 79 80 81 82 83 84

[NH0-137070516]



Fuse holder C

- E45 Cruise control system switch
- J329 Terminal 15 voltage supply relay
- J519 Onboard supply control unit
- SC Fuse holder C
- SC1 Fuse 1 on fuse holder C
- SC31 Fuse 31 on fuse holder C
- SC33 Fuse 33 on fuse holder C
- SC49 Fuse 49 on fuse holder C
- T73c 73-pin connector, black

B279 Positive connection 3 (15a) in main wiring harness

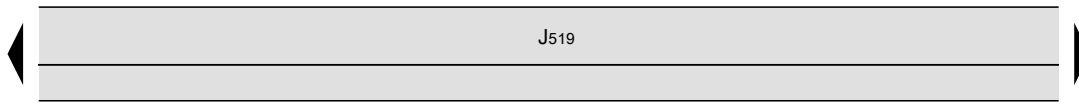
B280 Positive connection 4 (15a) in main wiring harness

B626 Positive connection 2 (15), in main wiring harness

* Only models with manual gearbox

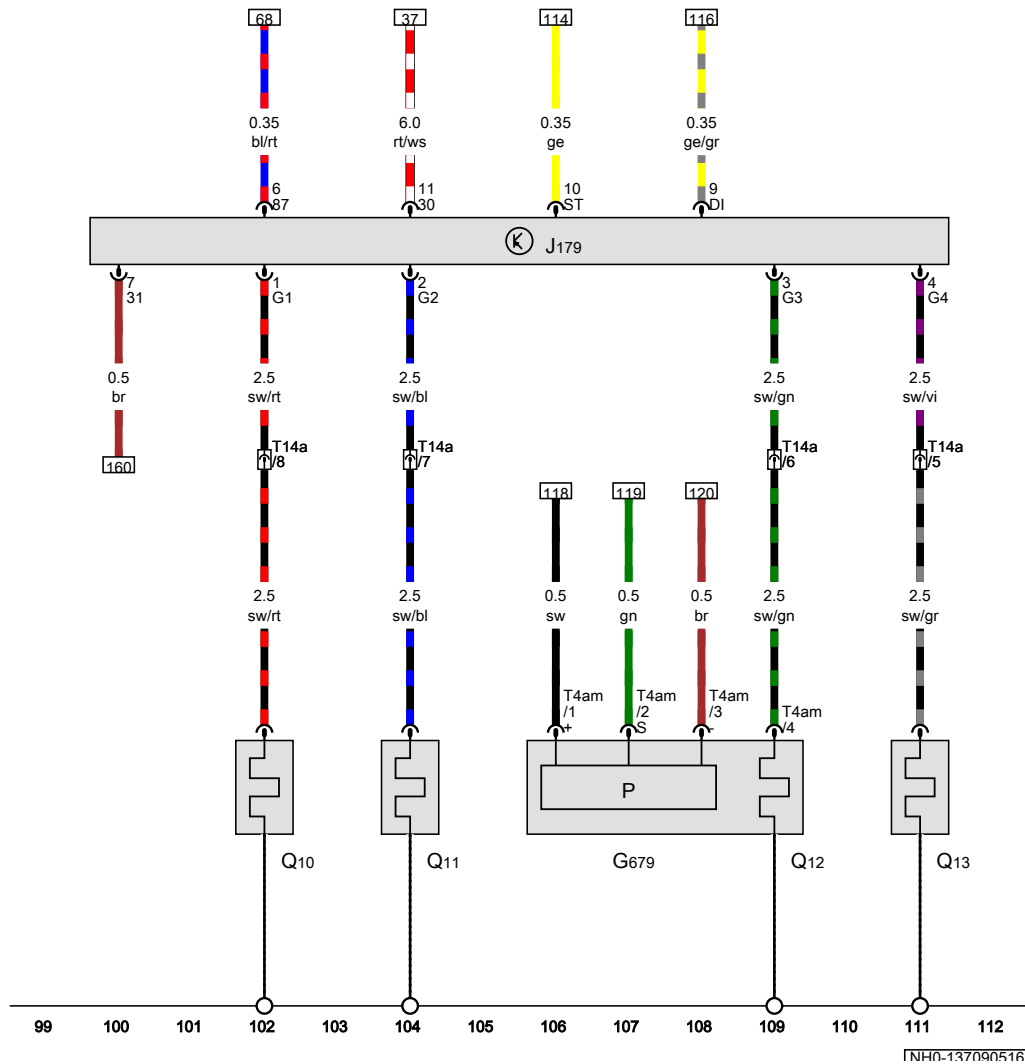
*2 Only models with cruise control system (CCS)

- ws = white
- sw = black
- ro = red
- rt = red
- br = brown
- gn = green
- bl = blue
- gr = grey
- li = purple
- vi = purple
- ge = yellow
- or = orange
- rs = pink



Cylinder 3 combustion chamber pressure sender,
Automatic glow period control unit, Glow plug 1, Glow plug 2,
Glow plug 3, Glow plug 4

- G679 Cylinder 3 combustion chamber pressure sender
- J179 Automatic glow period control unit
- J519 Onboard supply control unit
- Q10 Glow plug 1
- Q11 Glow plug 2
- Q12 Glow plug 3
- Q13 Glow plug 4
- T4am 4-pin connector
- T14a 14-pin connector, front left in engine compartment

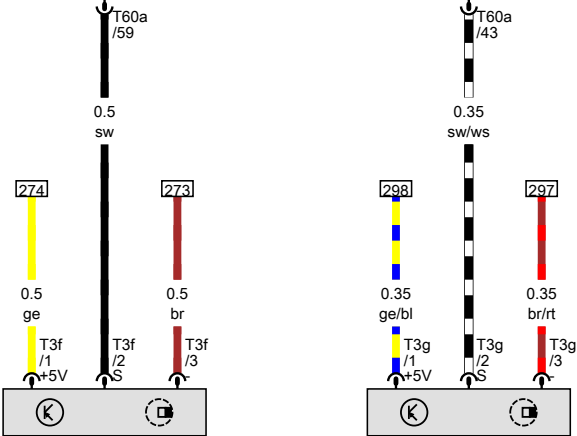
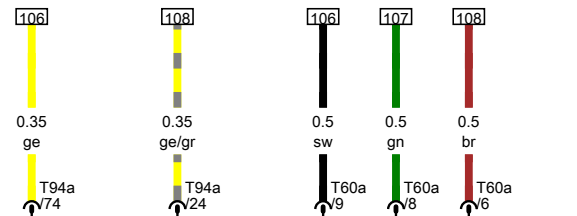
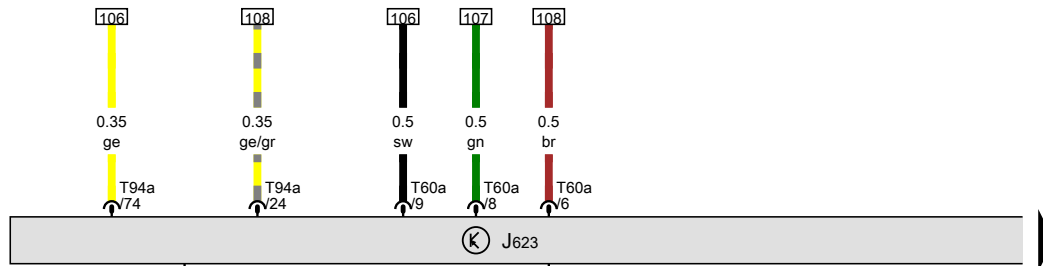
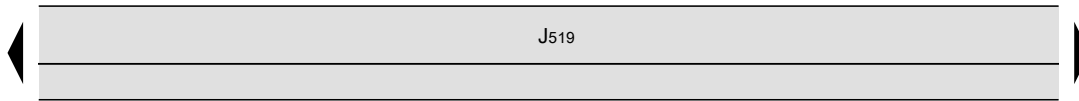


- ws = white
- sw = black
- ro = red
- rt = red
- br = brown
- gn = green
- bl = blue
- gr = grey
- li = purple
- vi = purple
- ge = yellow
- or = orange
- rs = pink

[NHN-137090516]

Engine speed sender, Hall sender, Engine control unit

- G28 Engine speed sender
- G40 Hall sender
- J519 Onboard supply control unit
- J623 Engine control unit
- T3f 3-pin connector
- T3g 3-pin connector
- T60a 60-pin connector
- T94a 94-pin connector



- ws = white
- sw = black
- ro = red
- rt = red
- br = brown
- gn = green
- bl = blue
- gr = grey
- li = purple
- vi = purple
- ge = yellow
- or = orange
- rs = pink

113 114 115 116 117 118 119 120 121 122 123 124 125 126

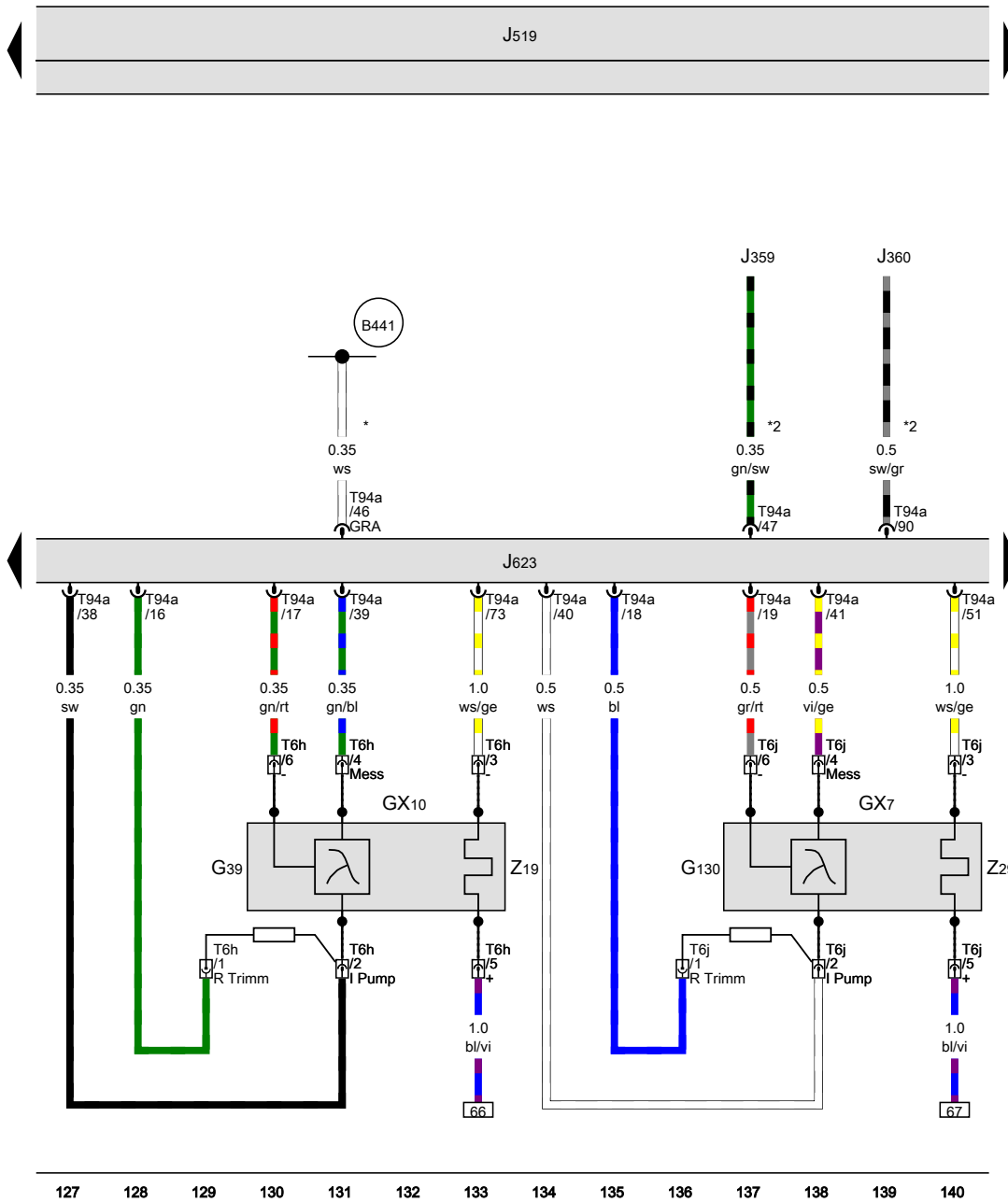
[NH0-137100516]

Lambda probe 1 after catalytic converter, Lambda probe 1 before catalytic converter, Engine control unit

- GX7 Lambda probe 1 after catalytic converter
- GX10 Lambda probe 1 before catalytic converter
- G39 Lambda probe
- G130 Lambda probe after catalytic converter
- J359 Low heat output relay
- J360 High heat output relay
- J519 Onboard supply control unit
- J623 Engine control unit
- T6h 6-pin connector, black
- T6j 6-pin connector, brown
- T94a 94-pin connector
- Z19 Lambda probe heater
- Z29 Lambda probe 1 heater after catalytic converter

B441 Connection (CCS), in main wiring harness

- * Only models with cruise control system (CCS)
- *2 Only models with auxiliary air heater



- ws = white
- sw = black
- ro = red
- rt = red
- br = brown
- gn = green
- bl = blue
- gr = grey
- li = purple
- vi = purple
- ge = yellow
- or = orange
- rs = pink

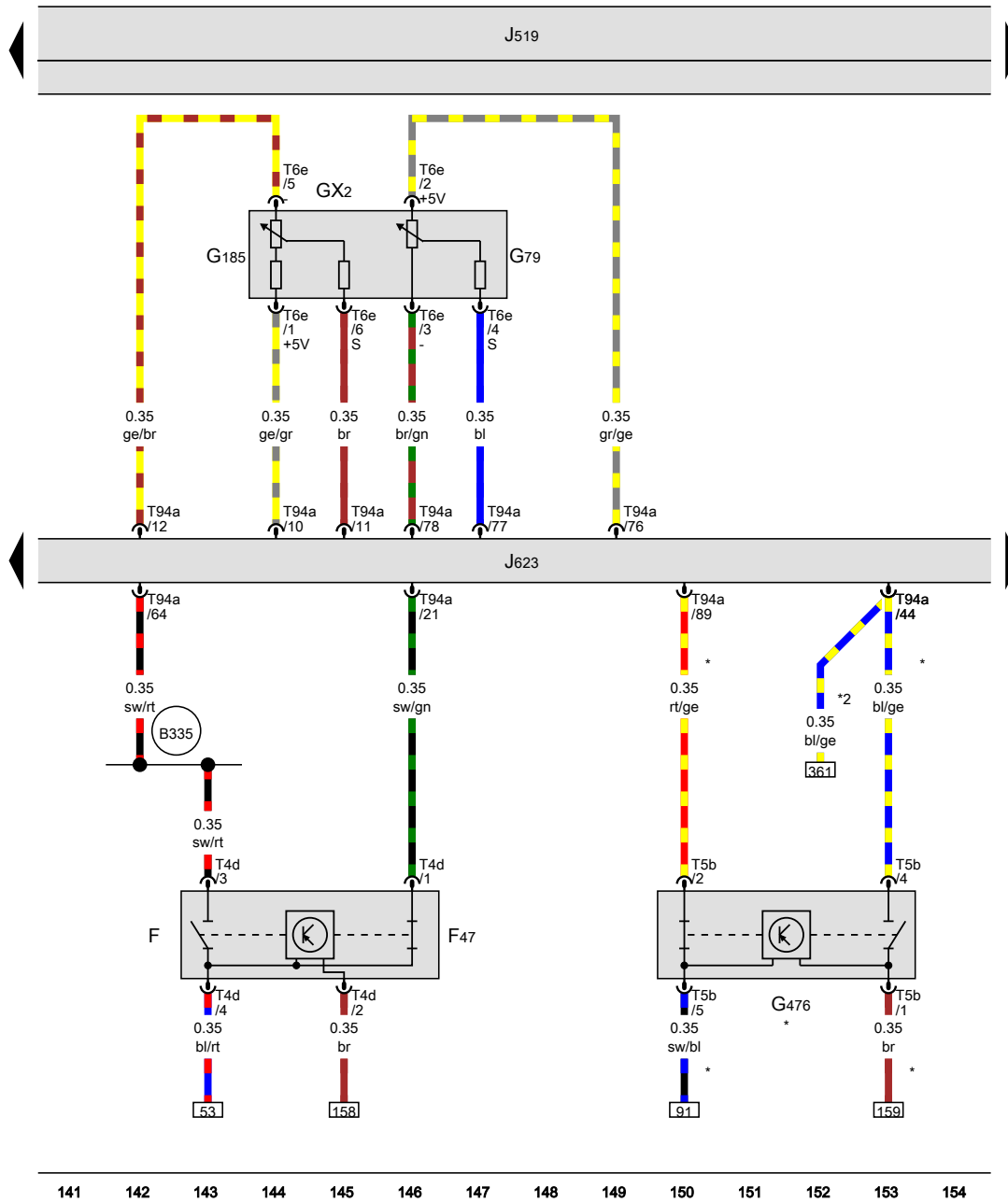
[NH0-137110516]

Brake pedal switch, Accelerator pedal module, Clutch position sender, Engine control unit

- F Brake light switch
- F47 Brake pedal switch
- GX2 Accelerator pedal module
- G79 Accelerator position sender
- G185 Accelerator position sender 2
- G476 Clutch position sender
- J519 Onboard supply control unit
- J623 Engine control unit
- T4d 4-pin connector
- T5b 5-pin connector
- T6e 6-pin connector
- T94a 94-pin connector

B335 Connection 1 (54), in main wiring harness

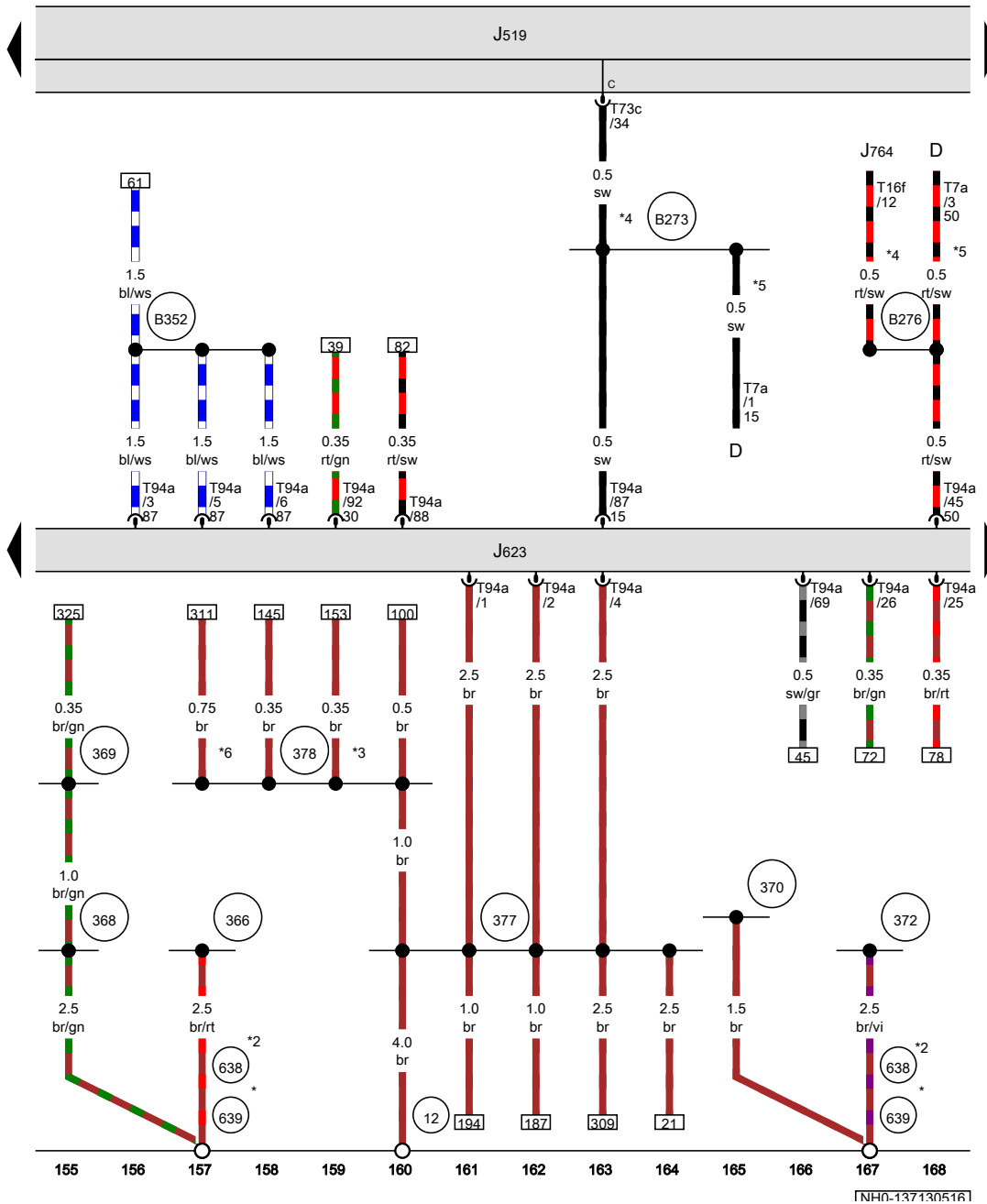
- * Only models with manual gearbox
- *2 Only models with automatic gearbox



- ws = white
- sw = black
- ro = red
- rt = red
- br = brown
- gn = green
- bl = blue
- gr = grey
- li = purple
- vi = purple
- ge = yellow
- or = orange
- rs = pink

141 142 143 144 145 146 147 148 149 150 151 152 153 154

[NHN-137120516]



Engine control unit

- D Ignition/starter switch
- J519 Onboard supply control unit
- J623 Engine control unit
- J764 Control unit for electronic steering column lock
- T7a 7-pin connector
- T16f 16-pin connector
- T73c 73-pin connector, black
- T94a 94-pin connector

- 12 Earth point, on left in engine compartment
- 366 Earth connection 1, in main wiring harness
- 368 Earth connection 3, in main wiring harness
- 369 Earth connection 4, in main wiring harness
- 370 Earth connection 5, in main wiring harness
- 372 Earth connection 7, in main wiring harness
- 377 Earth connection 12, in main wiring harness
- 378 Earth connection 13, in main wiring harness
- 638 Earth point, on right A-pillar
- 639 Earth point, left A-pillar

- B273 Positive connection (15), in main wiring harness
- B276 Positive connection (50), in main wiring harness
- B352 Positive connection 3 (87a) in main wiring harness

- ws = white
- sw = black
- ro = red
- rt = red
- br = brown
- gn = green
- bl = blue
- gr = grey
- li = purple
- vi = purple
- ge = yellow
- or = orange
- rs = pink

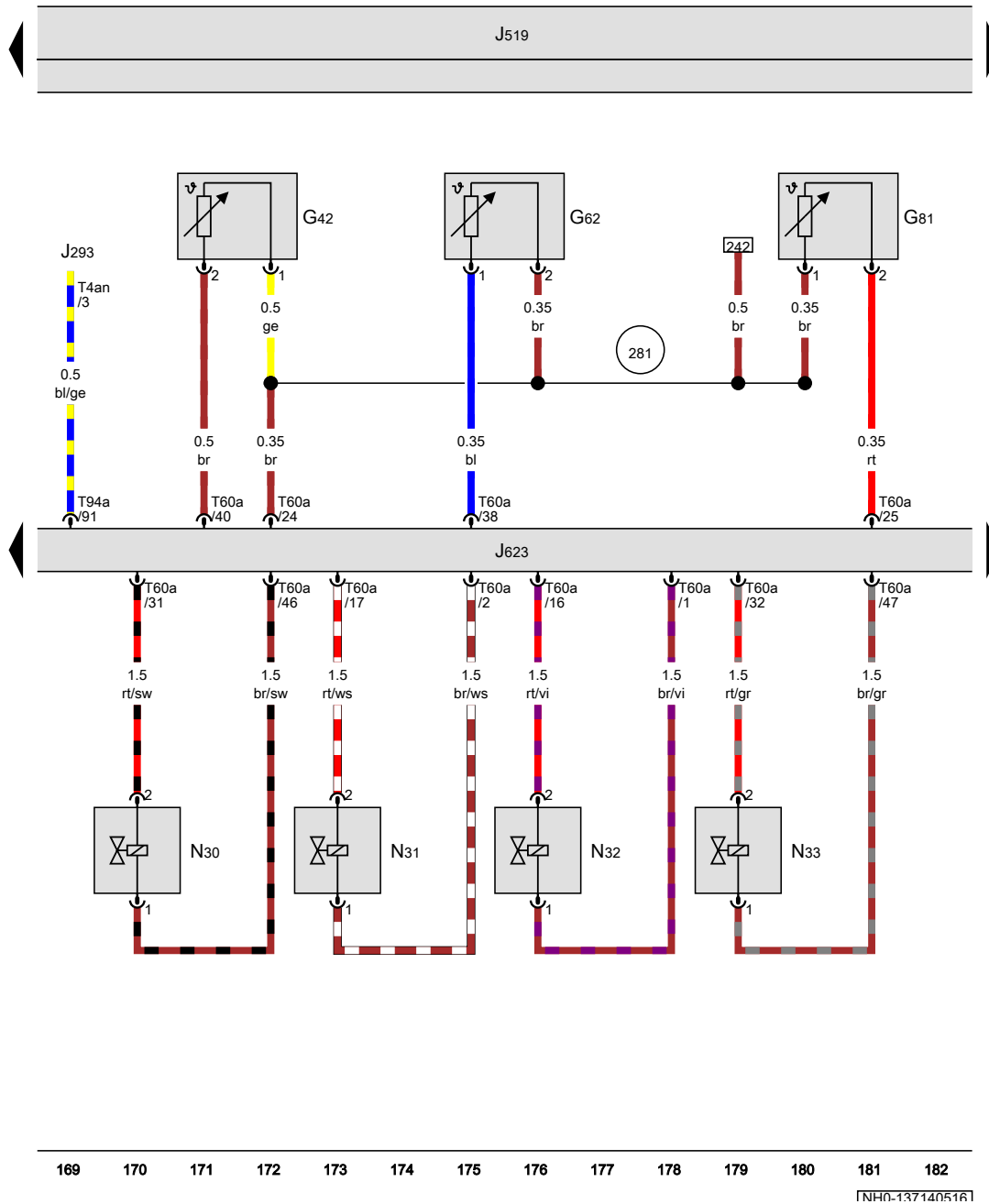
- * Only left-hand drive models
- *2 Only right-hand drive models
- *3 Only models with manual gearbox
- *4 Only models with entry and start authorisation
- *5 Only models with no entry and start authorisation
- *6 Only models with extended servicing intervals (ESI)

[NHN-137130516]

Intake air temperature sender, Coolant temperature sender, Fuel temperature sender, Engine control unit, Injector, cylinder 1, Injector, cylinder 2, Injector, cylinder 3, Injector, cylinder 4

- G42 Intake air temperature sender
- G62 Coolant temperature sender
- G81 Fuel temperature sender
- J293 Radiator fan control unit
- J519 Onboard supply control unit
- J623 Engine control unit
- N30 Injector, cylinder 1
- N31 Injector, cylinder 2
- N32 Injector, cylinder 3
- N33 Injector, cylinder 4
- T4an 4-pin connector
- T60a 60-pin connector
- T94a 94-pin connector

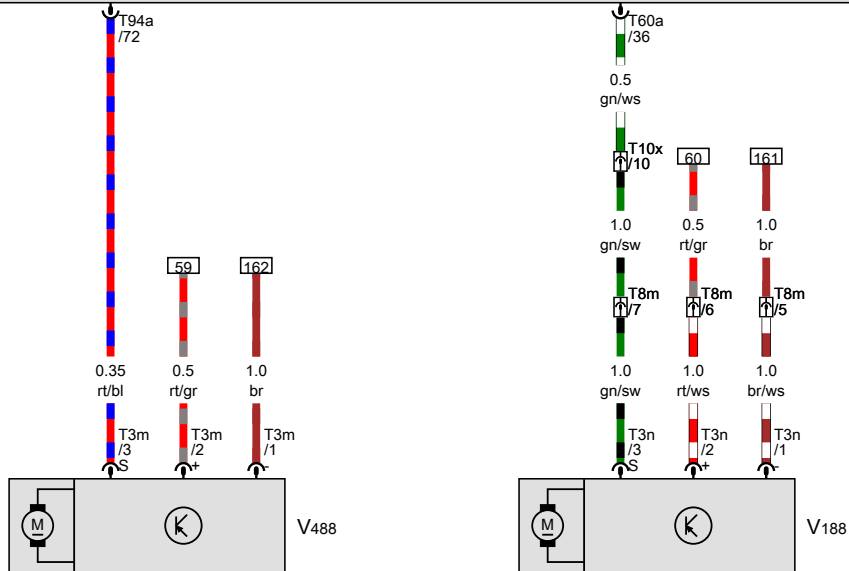
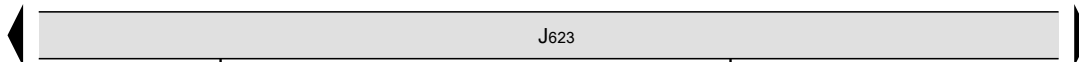
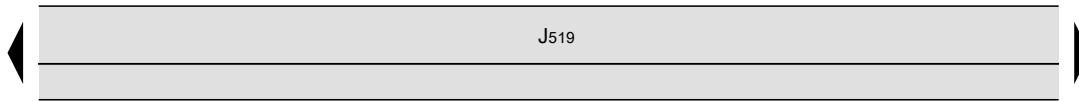
281 Earth point 1, engine prewiring harness



[NHN-137140516]

Engine control unit, Charge air cooling pump, Auxiliary pump for heating

- J519 Onboard supply control unit
- J623 Engine control unit
- T3m 3-pin connector
- T3n 3-pin connector
- T8m 8-pin connector, front left in engine compartment
- T10x 10-pin connector, front left in engine compartment
- T60a 60-pin connector
- T94a 94-pin connector
- V188 Charge air cooling pump
- V488 Auxiliary pump for heating



183 184 185 186 187 188 189 190 191 192 193 194 195 196

[NH0-137150516]

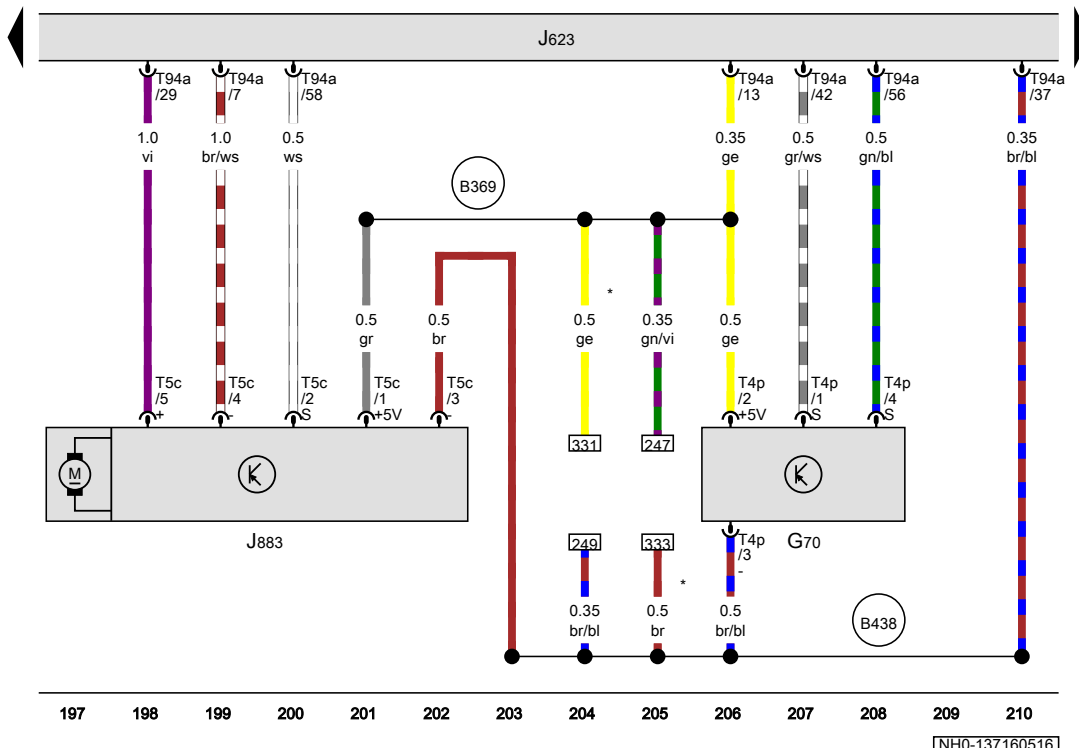
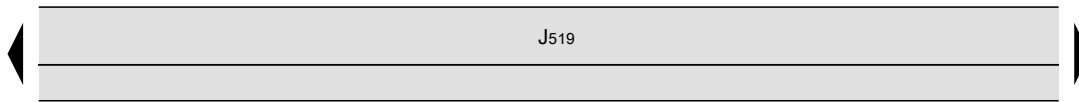
Air mass meter, Engine control unit, Exhaust flap control unit

- G70 Air mass meter
- J519 Onboard supply control unit
- J623 Engine control unit
- J883 Exhaust flap control unit
- T4p 4-pin connector
- T5c 5-pin connector
- T94a 94-pin connector

B369 Connection 1 (5V), in main wiring harness

B438 Connection 2 (GND (earth)), in main wiring harness

* Only models with manual gearbox



- ws = white
- sw = black
- ro = red
- rt = red
- br = brown
- gn = green
- bl = blue
- gr = grey
- li = purple
- vi = purple
- ge = yellow
- or = orange
- rs = pink

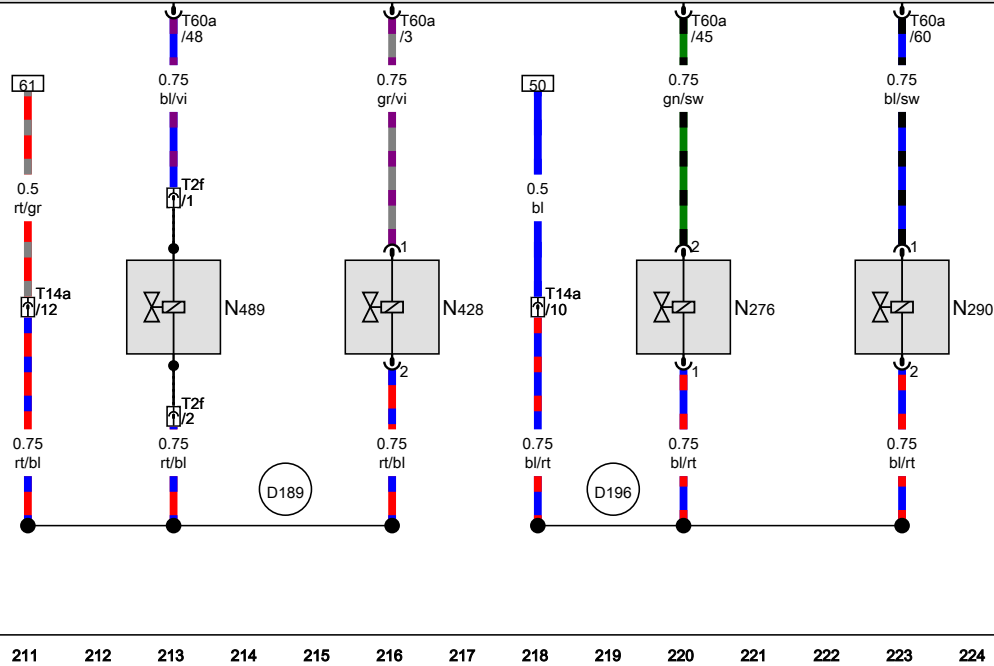
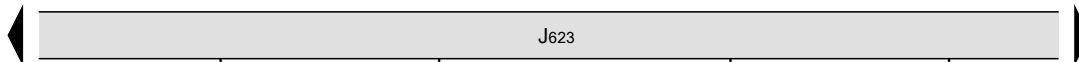
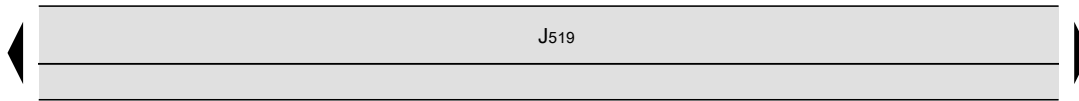
[NH0-137160516]

Engine control unit, Fuel pressure regulating valve, Fuel metering valve, Valve for oil pressure control, Coolant valve for cylinder head

- J519 Onboard supply control unit
- J623 Engine control unit
- N276 Fuel pressure regulating valve
- N290 Fuel metering valve
- N428 Valve for oil pressure control
- N489 Coolant valve for cylinder head
- T2f 2-pin connector
- T14a 14-pin connector, front left in engine compartment
- T60a 60-pin connector

D189 Connection (87a) in engine prewiring harness

D196 Connection 2 (87a) in engine prewiring harness



- ws = white
- sw = black
- ro = red
- rt = red
- br = brown
- gn = green
- bl = blue
- gr = grey
- li = purple
- vi = purple
- ge = yellow
- or = orange
- rs = pink

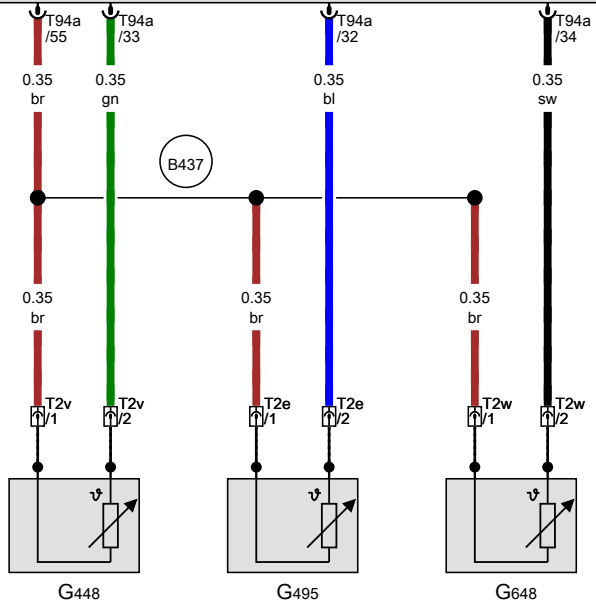
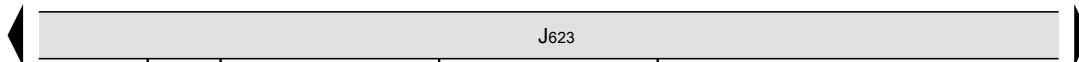
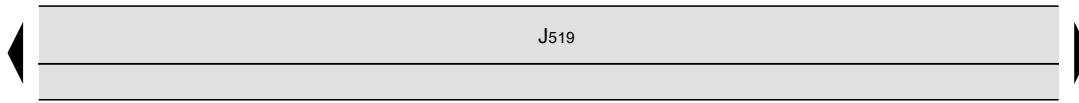
211 212 213 214 215 216 217 218 219 220 221 222 223 224

[NH0-137170516]

Exhaust gas temperature sender 2, Exhaust gas temperature sender 3, Exhaust gas temperature sender 4, Engine control unit

- G448 Exhaust gas temperature sender 2
- G495 Exhaust gas temperature sender 3
- G648 Exhaust gas temperature sender 4
- J519 Onboard supply control unit
- J623 Engine control unit
- T2e 2-pin connector, brown
- T2v 2-pin connector, black
- T2w 2-pin connector, orange
- T94a 94-pin connector

B437 Connection 1 (GND (earth)), in main wiring harness



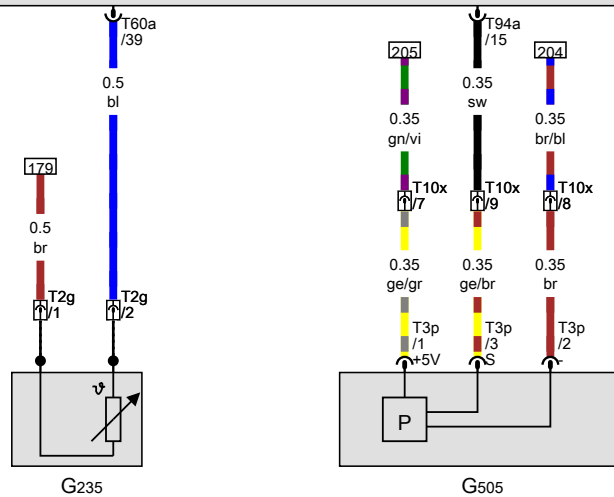
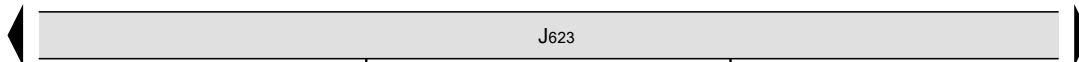
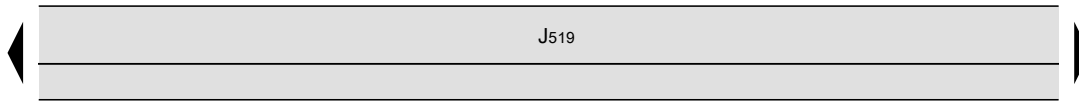
- ws = white
- sw = black
- ro = red
- rt = red
- br = brown
- gn = green
- bl = blue
- gr = grey
- li = purple
- vi = purple
- ge = yellow
- or = orange
- rs = pink

225 226 227 228 229 230 231 232 233 234 235 236 237 238

[NH0-137180516]

Exhaust gas temperature sender 1, Pressure differential sender, Engine control unit

- G235 Exhaust gas temperature sender 1
- G505 Pressure differential sender
- J519 Onboard supply control unit
- J623 Engine control unit
- T2g 2-pin connector
- T3p 3-pin connector
- T10x 10-pin connector, front left in engine compartment
- T60a 60-pin connector
- T94a 94-pin connector



- ws = white
- sw = black
- ro = red
- rt = red
- br = brown
- gn = green
- bl = blue
- gr = grey
- li = purple
- vi = purple
- ge = yellow
- or = orange
- rs = pink

239 240 241 242 243 244 245 246 247 248 249 250 251 252

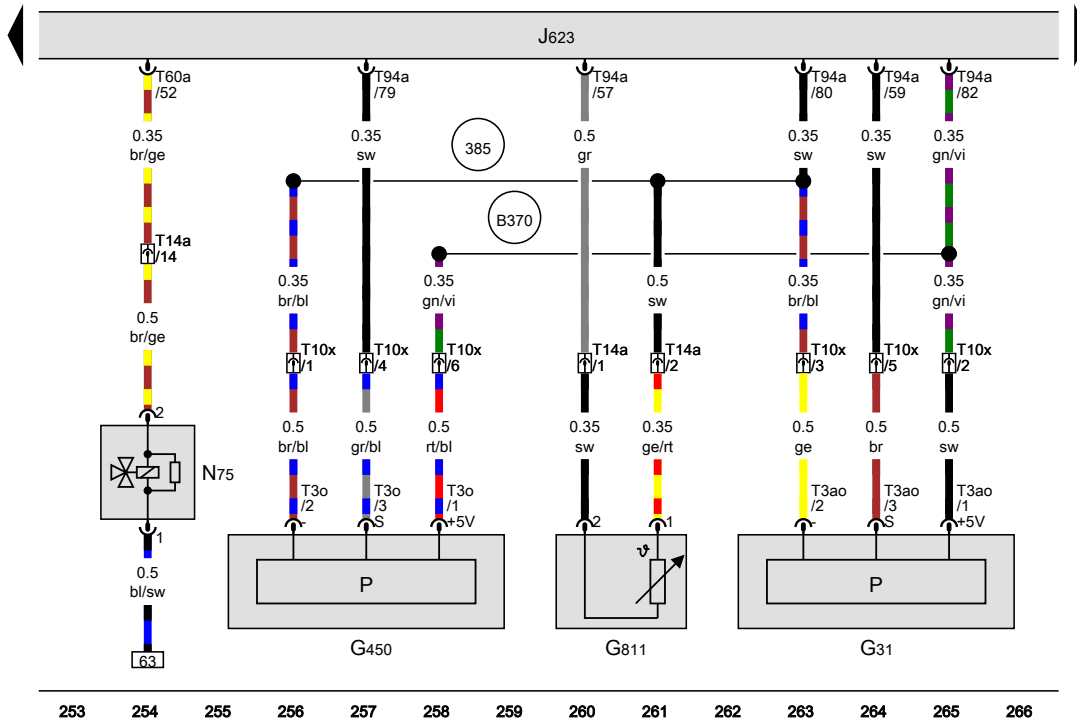
[NH0-137190516]

Charge pressure sender, Exhaust gas pressure sensor 1,
 Charge air temperature sender after charge air cooler,
 Engine control unit, Charge pressure control solenoid valve

- G31 Charge pressure sender
- G450 Exhaust gas pressure sensor 1
- G811 Charge air temperature sender after charge air cooler
- J519 Onboard supply control unit
- J623 Engine control unit
- N75 Charge pressure control solenoid valve
- T3ao 3-pin connector
- T3o 3-pin connector
- T10x 10-pin connector, front left in engine compartment
- T14a 14-pin connector, front left in engine compartment
- T60a 60-pin connector
- T94a 94-pin connector

385 Earth connection 20, in main wiring harness

B370 Connection 2 (5V), in main wiring harness



- ws = white
- sw = black
- ro = red
- rt = red
- br = brown
- gn = green
- bl = blue
- gr = grey
- li = purple
- vi = purple
- ge = yellow
- or = orange
- rs = pink

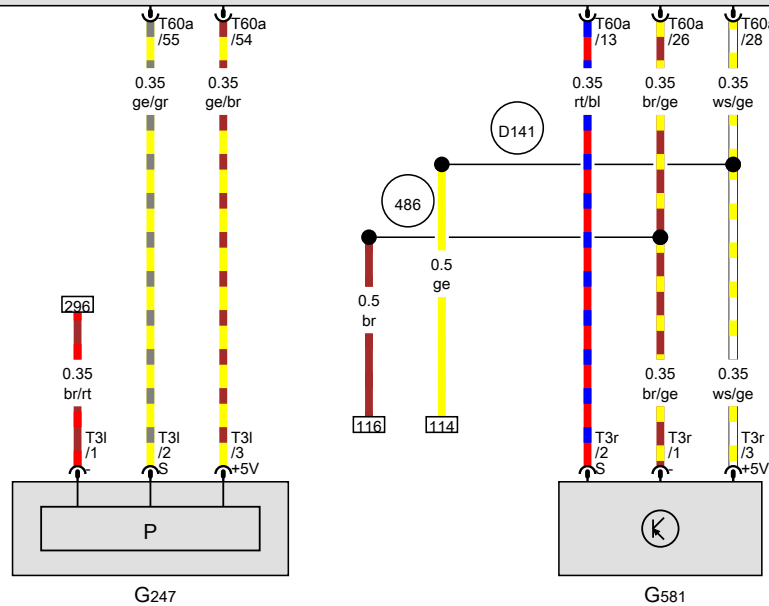
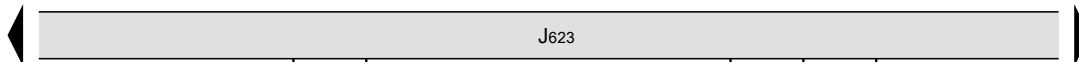
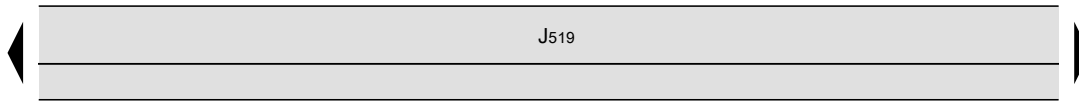
1NH0-1372005161

Fuel pressure sender, Position sender for charge pressure positioner, Engine control unit

- G247 Fuel pressure sender
- G581 Position sender for charge pressure positioner
- J519 Onboard supply control unit
- J623 Engine control unit
- T3l 3-pin connector
- T3r 3-pin connector
- T60a 60-pin connector

486 Earth point 4, engine prewiring harness

D141 Connection (5V) in engine prewiring harness



- ws = white
- sw = black
- ro = red
- rt = red
- br = brown
- gn = green
- bl = blue
- gr = grey
- li = purple
- vi = purple
- ge = yellow
- or = orange
- rs = pink

267 268 269 270 271 272 273 274 275 276 277 278 279 280

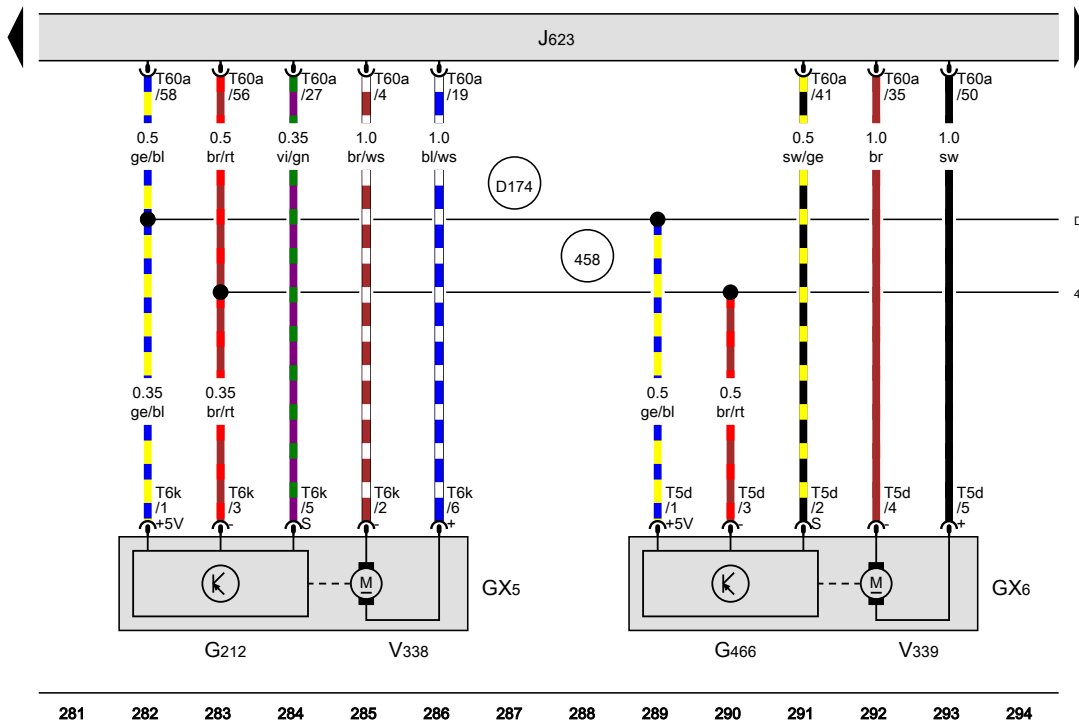
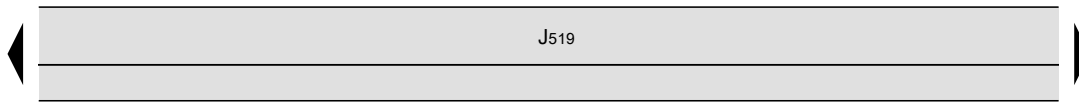
[NH0-137210516]

Exhaust gas recirculation valve 1, Exhaust gas recirculation valve 2, Engine control unit

- GX5 Exhaust gas recirculation valve 1
- GX6 Exhaust gas recirculation valve 2
- G212 Exhaust gas recirculation potentiometer
- G466 Exhaust gas recirculation potentiometer 2
- J519 Onboard supply control unit
- J623 Engine control unit
- T5d 5-pin connector
- T6k 6-pin connector
- T60a 60-pin connector
- V338 Exhaust gas recirculation control motor
- V339 Exhaust gas recirculation control motor 2

458 Earth point 3, engine prewiring harness

D174 Connection 2 (5V) in engine prewiring harness



- ws = white
- sw = black
- ro = red
- rt = red
- br = brown
- gn = green
- bl = blue
- gr = grey
- li = purple
- vi = purple
- ge = yellow
- or = orange
- rs = pink

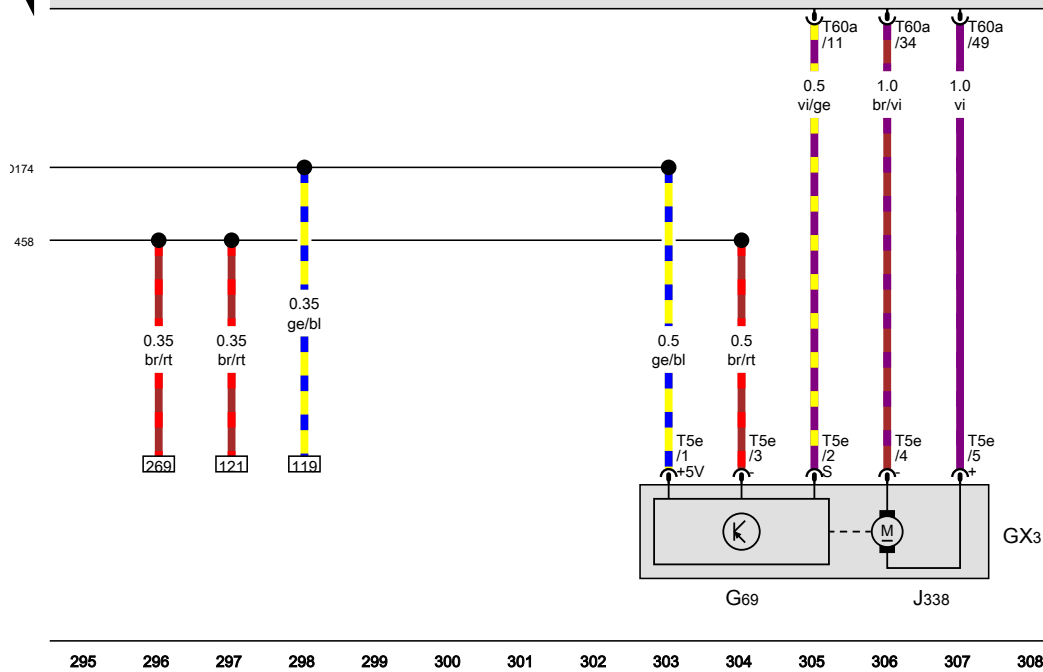
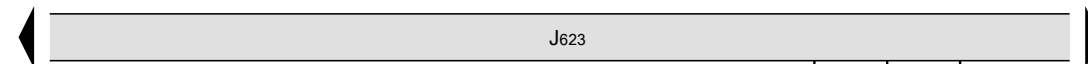
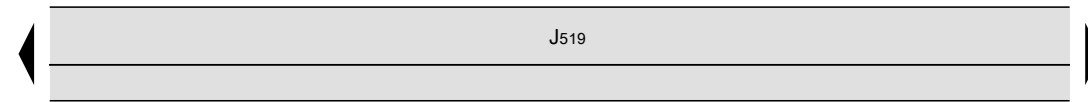
[NH0-137220516]

Throttle valve module, Engine control unit

- GX3 Throttle valve module
- G69 Throttle valve potentiometer
- J338 Throttle valve module
- J519 Onboard supply control unit
- J623 Engine control unit
- T5e 5-pin connector
- T60a 60-pin connector

458 Earth point 3, engine prewiring harness

D174 Connection 2 (5V) in engine prewiring harness



[NH0-137230516]

Oil pressure switch, Oil pressure switch for reduced oil pressure, Oil level and oil temperature sender, Engine control unit, Heater element for crankcase breather

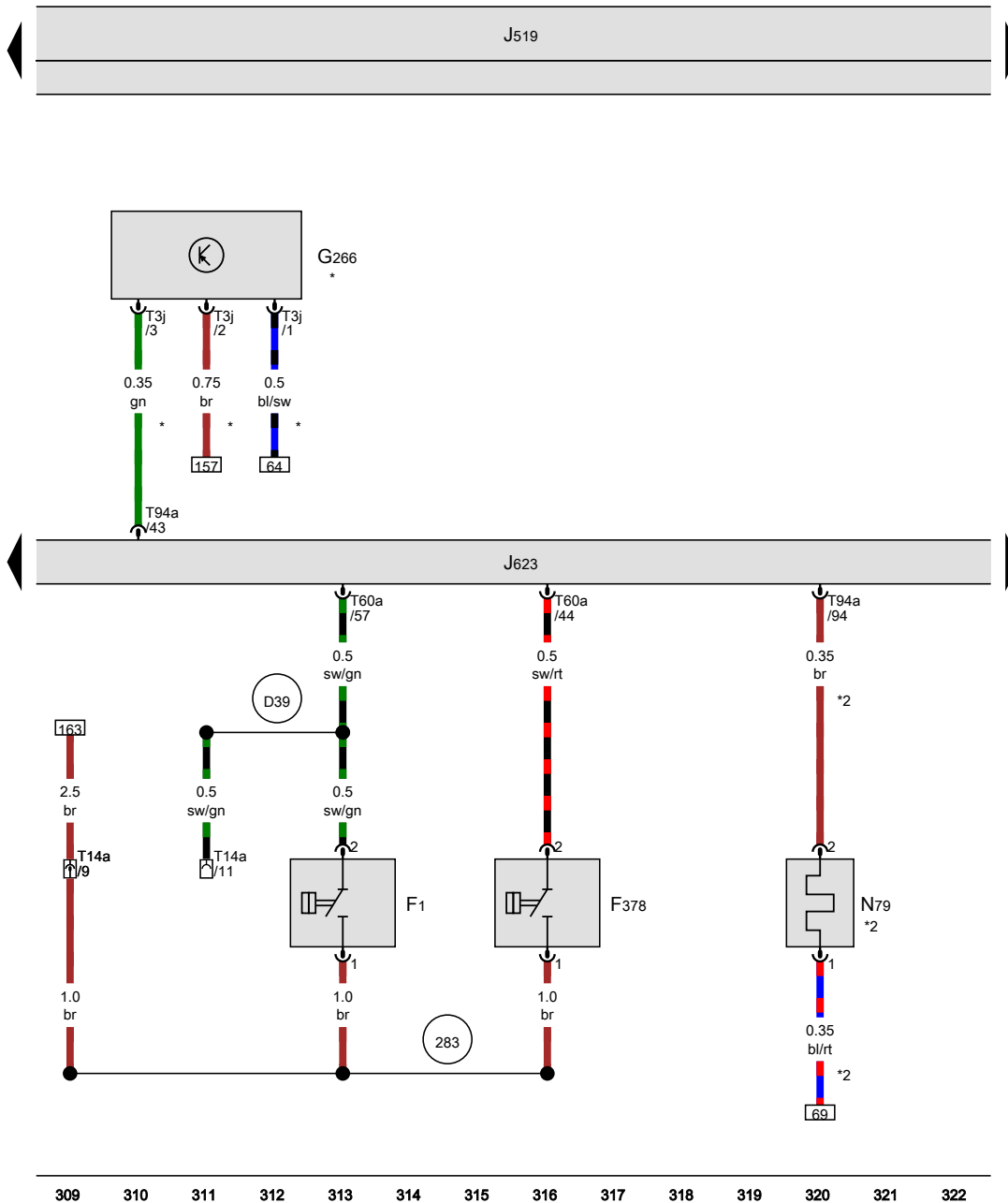
- F1 Oil pressure switch
- F378 Oil pressure switch for reduced oil pressure
- G266 Oil level and oil temperature sender
- J519 Onboard supply control unit
- J623 Engine control unit
- N79 Heater element for crankcase breather
- T3j 3-pin connector
- T14a 14-pin connector, front left in engine compartment
- T60a 60-pin connector
- T94a 94-pin connector

283 Earth point 2, engine prewiring harness

D39 Connection 1, in engine prewiring harness

* Only models with extended servicing intervals (ESI)

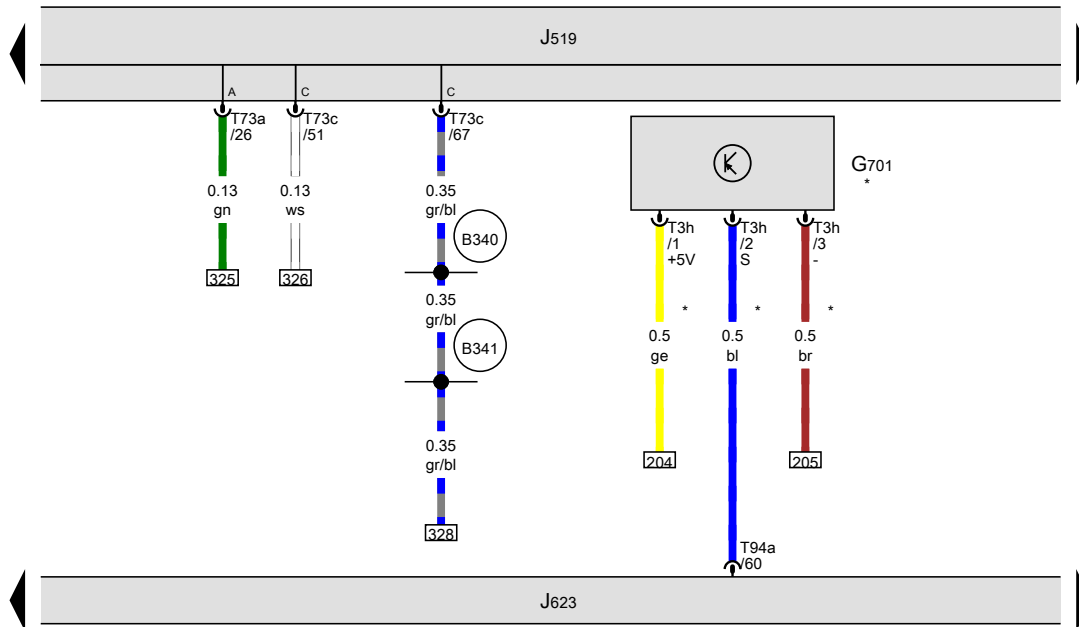
*2 Special equipment



- ws = white
- sw = black
- ro = red
- rt = red
- br = brown
- gn = green
- bl = blue
- gr = grey
- li = purple
- vi = purple
- ge = yellow
- or = orange
- rs = pink

[NH0-137240516]

Centre switch module in dash panel, Start/Stop operation button, Gearbox neutral position sender, Engine control unit

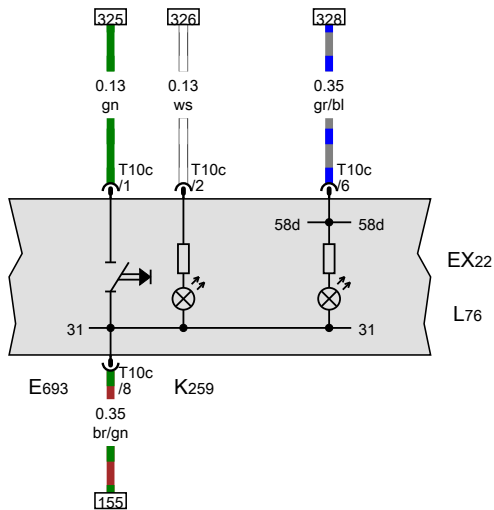


- EX22 Centre switch module in dash panel
- E693 Start/Stop operation button
- G701 Gearbox neutral position sender
- J519 Onboard supply control unit
- J623 Engine control unit
- K259 Start/Stop operation warning lamp
- L76 Button illumination bulb
- T3h 3-pin connector
- T10c 10-pin connector, black
- T73a 73-pin connector, black
- T73c 73-pin connector, black
- T94a 94-pin connector

B340 Connection 1 (58d), in main wiring harness

B341 Connection 2 (58d), in main wiring harness

* Only models with manual gearbox



- ws = white
- sw = black
- ro = red
- rt = red
- br = brown
- gn = green
- bl = blue
- gr = grey
- li = purple
- vi = purple
- ge = yellow
- or = orange
- rs = pink

323 324 325 326 327 328 329 330 331 332 333 334 335 336

[NH0-137250516]

Fuel delivery unit, Fuel pump relay, Engine control unit

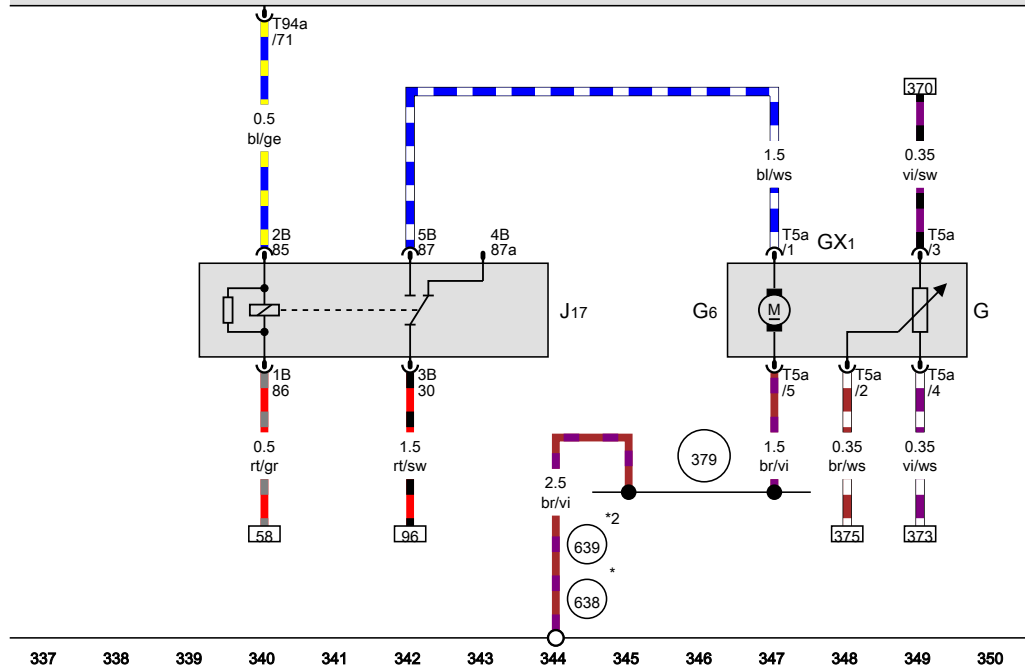
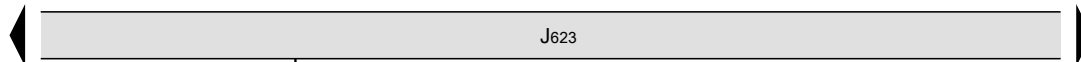
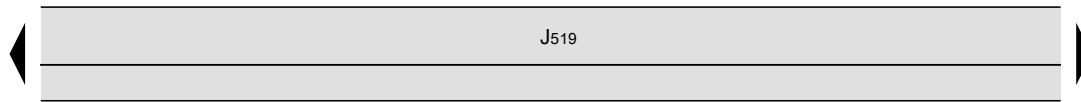
- G Fuel gauge sender
- GX1 Fuel delivery unit
- G6 Fuel system pressurisation pump
- J17 Fuel pump relay
- J519 Onboard supply control unit
- J623 Engine control unit
- T5a 5-pin connector
- T94a 94-pin connector

379 Earth connection 14, in main wiring harness

638 Earth point, on right A-pillar

639 Earth point, left A-pillar

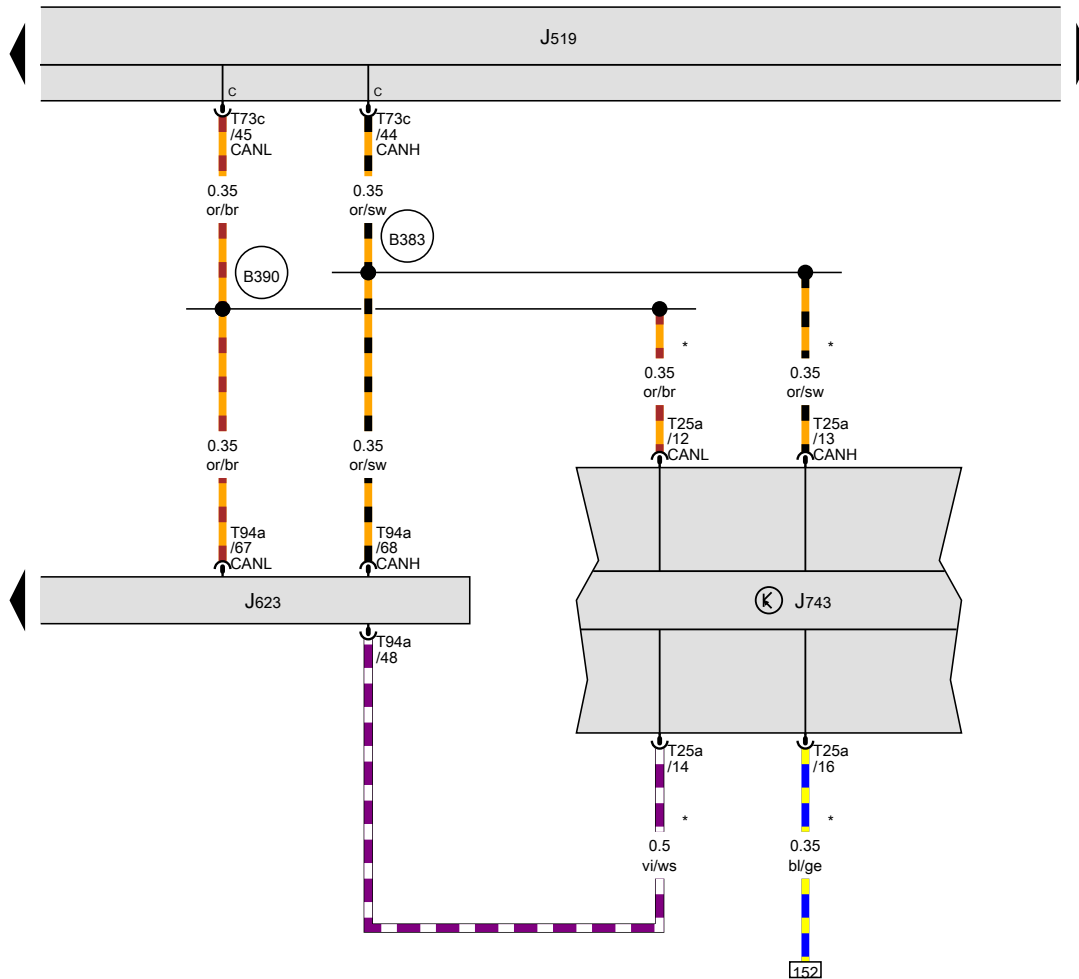
* Only left-hand drive models
 *2 Only right-hand drive models



- ws = white
- sw = black
- ro = red
- rt = red
- br = brown
- gn = green
- bl = blue
- gr = grey
- li = purple
- vi = purple
- ge = yellow
- or = orange
- rs = pink

[NHN-137260516]

Engine control unit, Mechatronic unit for dual clutch gearbox



- J519 Onboard supply control unit
- J623 Engine control unit
- J743 Mechatronic unit for dual clutch gearbox
- T25a 25-pin connector
- T73c 73-pin connector, black
- T94a 94-pin connector

B383 Connection 1 (powertrain CAN bus, high), in main wiring harness

B390 Connection 1 (powertrain CAN bus, low), in main wiring harness

* Only models with automatic gearbox

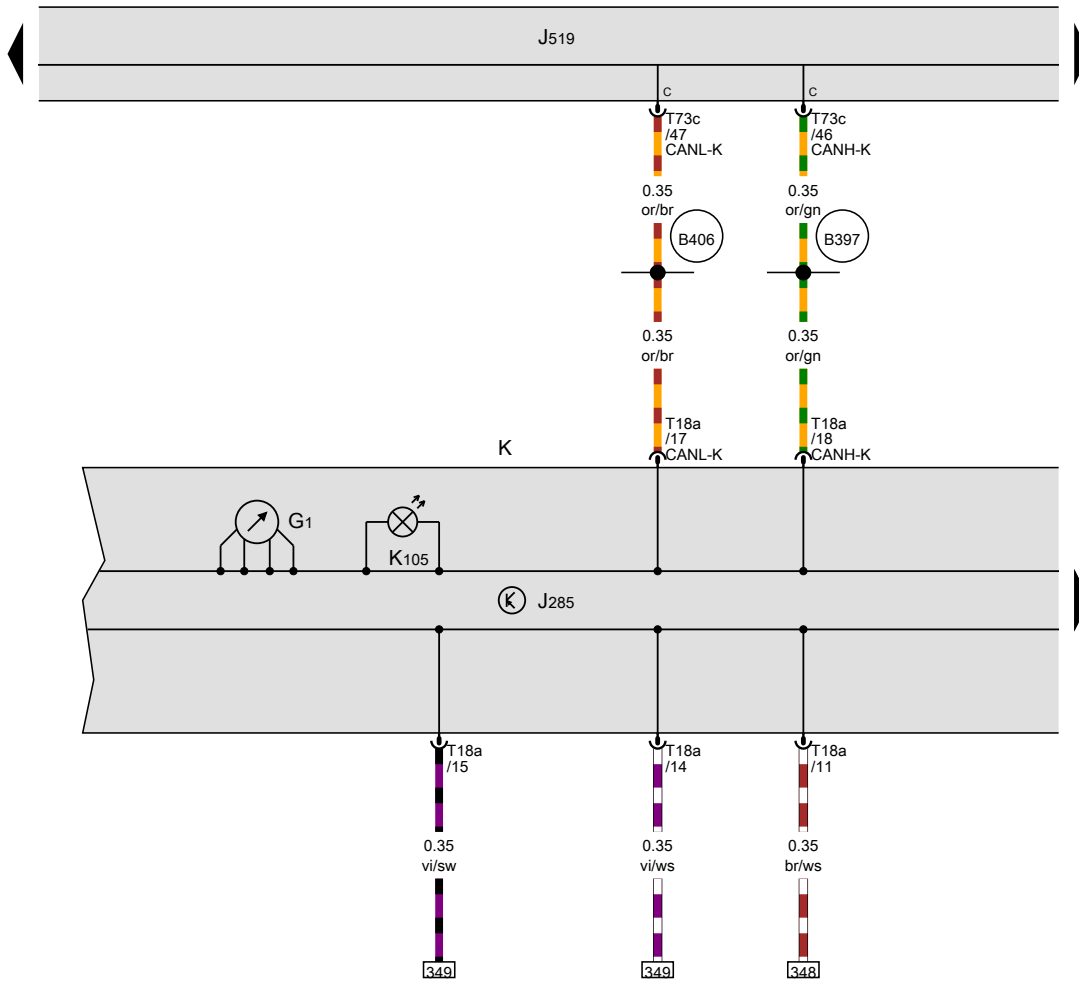
- ws = white
- sw = black
- ro = red
- rt = red
- br = brown
- gn = green
- bl = blue
- gr = grey
- li = purple
- vi = purple
- ge = yellow
- or = orange
- rs = pink

351 352 353 354 355 356 357 358 359 360 361 362 363 364

[NH0-137270516]

Fuel gauge, Dash panel insert

- G1 Fuel gauge
- J285 Control unit in dash panel insert
- J519 Onboard supply control unit
- K Dash panel insert
- K105 Reserve fuel warning lamp
- T18a 18-pin connector
- T73c 73-pin connector, black
- B397** Connection 1 (convenience CAN bus, high), in main wiring harness
- B406** Connection 1 (convenience CAN bus, low), in main wiring harness



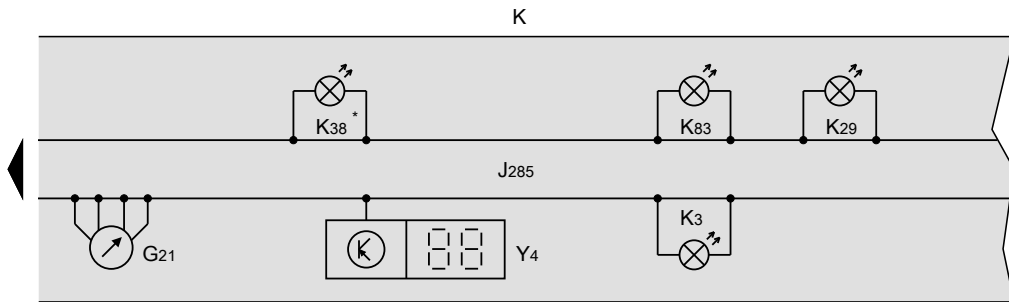
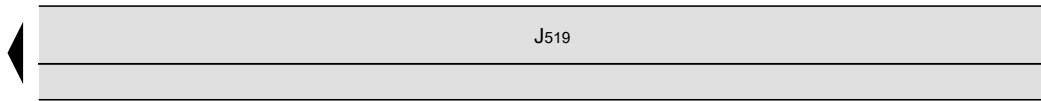
- ws = white
- sw = black
- ro = red
- rt = red
- br = brown
- gn = green
- bl = blue
- gr = grey
- li = purple
- vi = purple
- ge = yellow
- or = orange
- rs = pink

365 366 367 368 369 370 371 372 373 374 375 376 377 378

[NH0-137280516]

Speedometer, Dash panel insert, Trip counter

- G21 Speedometer
- J285 Control unit in dash panel insert
- J519 Onboard supply control unit
- K Dash panel insert
- K3 Oil pressure warning lamp
- K29 Glow period warning lamp
- K38 Oil level warning lamp
- K83 Exhaust emissions warning lamp
- Y4 Trip counter
- * Only models with extended servicing intervals (ESI)



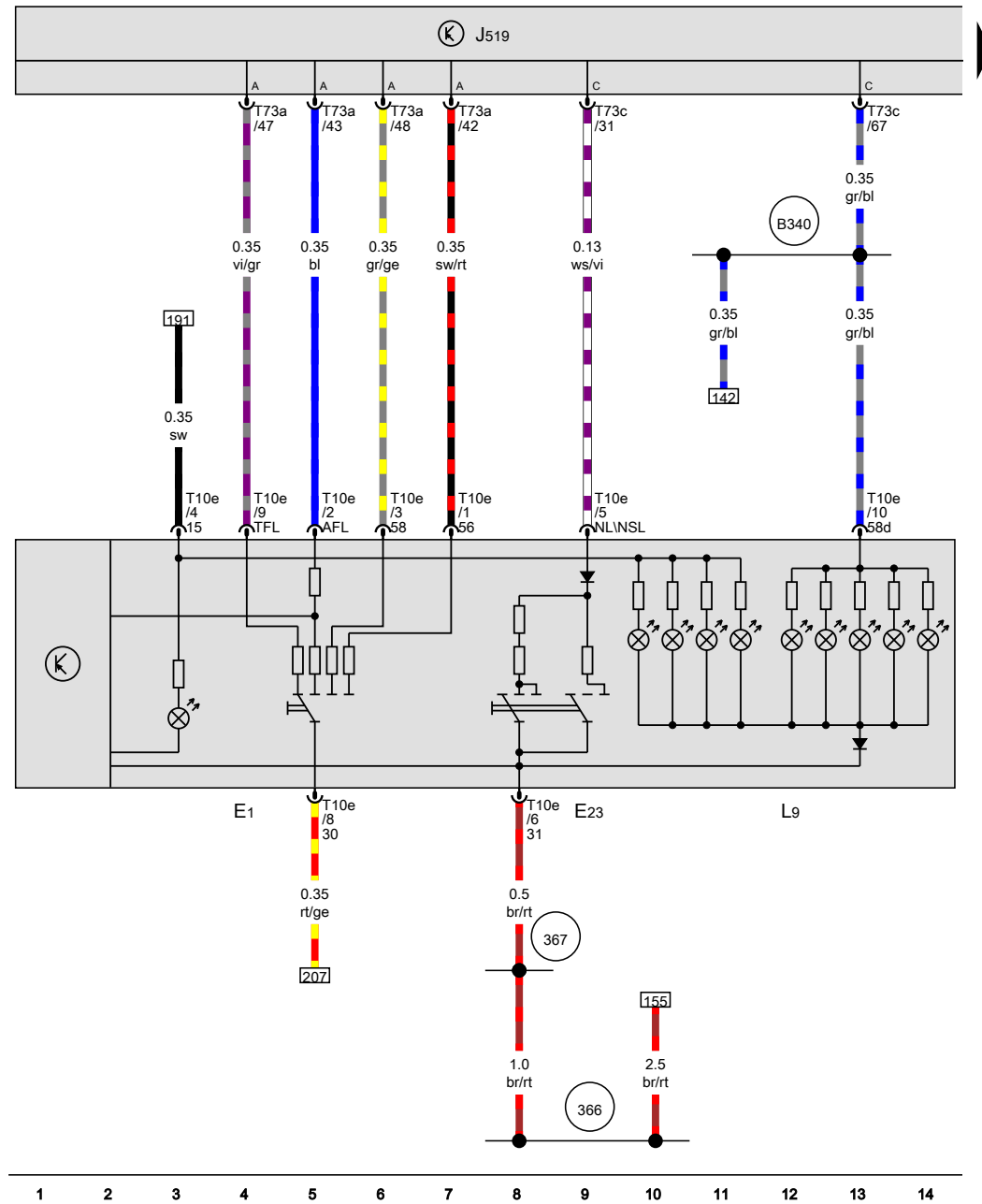
379 380 381 382 383 384 385 386 387 388 389 390 391 392

[NH0-137290516]

- ws = white
- sw = black
- ro = red
- rt = red
- br = brown
- gn = green
- bl = blue
- gr = grey
- li = purple
- vi = purple
- ge = yellow
- or = orange
- rs = pink

Exterior lighting , (K8B),(L0L)

From May 2016



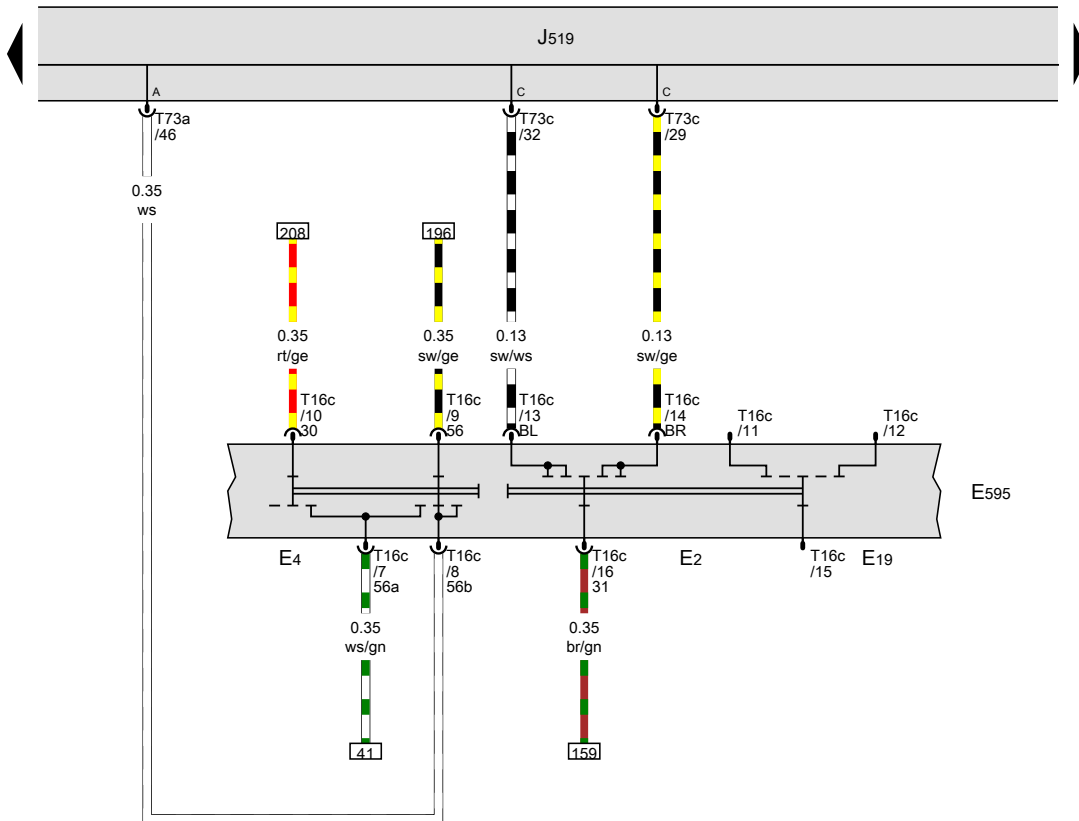
Light switch

- E1 Light switch
- E23 Front and rear fog light switch
- J519 Onboard supply control unit
- L9 Light switch illumination bulb
- T10e 10-pin connector
- T73a 73-pin connector, black
- T73c 73-pin connector, black
- 366 Earth connection 1, in main wiring harness
- 367 Earth connection 2, in main wiring harness
- B340 Connection 1 (58d), in main wiring harness

- ws = white
- sw = black
- ro = red
- rt = red
- br = brown
- gn = green
- bl = blue
- gr = grey
- li = purple
- vi = purple
- ge = yellow
- or = orange
- rs = pink

Turn signal switch, Headlight dipper and flasher switch, Parking light switch, Steering column combination switch

- E2 Turn signal switch
- E4 Headlight dipper and flasher switch
- E19 Parking light switch
- E595 Steering column combination switch
- J519 Onboard supply control unit
- T16c 16-pin connector
- T73a 73-pin connector, black
- T73c 73-pin connector, black



- ws = white
- sw = black
- ro = red
- rt = red
- br = brown
- gn = green
- bl = blue
- gr = grey
- li = purple
- vi = purple
- ge = yellow
- or = orange
- rs = pink

15 16 17 18 19 20 21 22 23 24 25 26 27 28

[NH0-138030516]

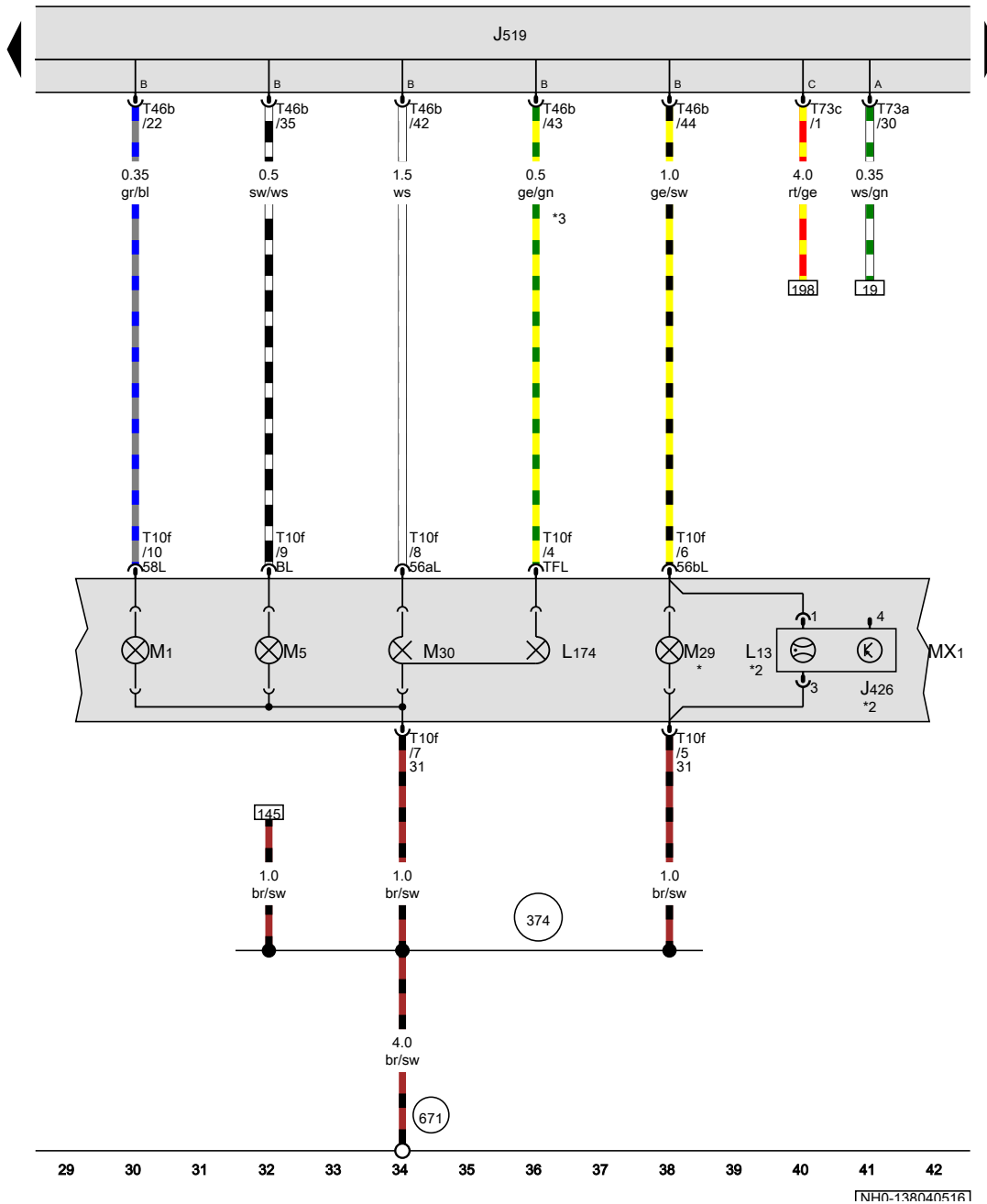
Front left headlight

- J426 Left headlight starter for gas discharge light
- J519 Onboard supply control unit
- L13 Left gas discharge (xenon) bulb
- L174 Left daytime running light bulb
- MX1 Front left headlight
- M1 Left side light bulb
- M5 Front left turn signal bulb
- M29 Left headlight dipped beam bulb
- M30 Left headlight main beam bulb
- T10f 10-pin connector
- T46b 46-pin connector, brown
- T73a 73-pin connector, black
- T73c 73-pin connector, black

374 Earth connection 9, in main wiring harness

671 Earth point 1, on front of left longitudinal member

- * Only models with halogen headlights
- *2 Only models with xenon headlights
- *3 Only models with daytime running lights



- ws = white
- sw = black
- ro = red
- rt = red
- br = brown
- gn = green
- bl = blue
- gr = grey
- li = purple
- vi = purple
- ge = yellow
- or = orange
- rs = pink

[NH0-138040516]

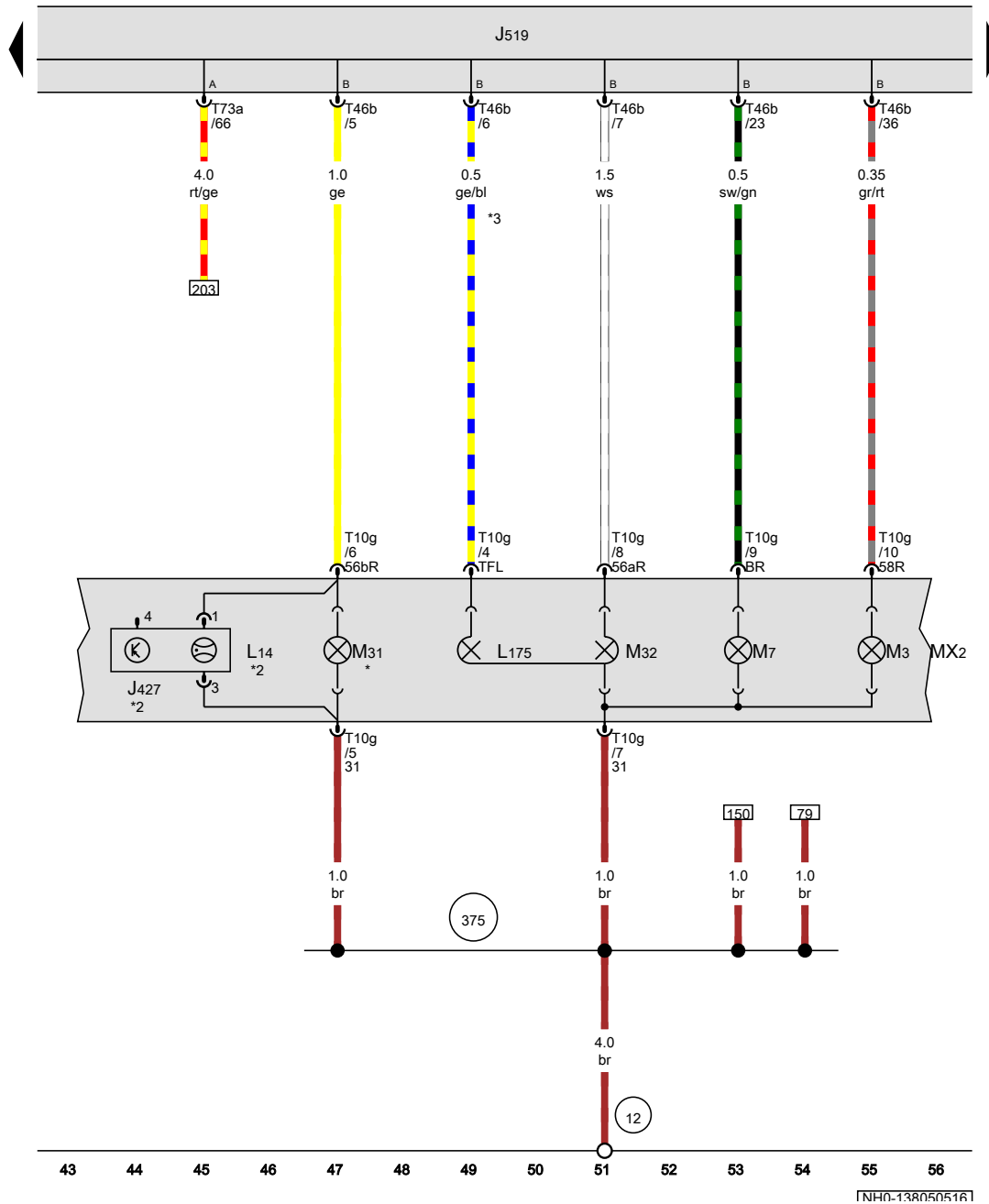
Front right headlight

- J427 Right headlight starter for gas discharge light
- J519 Onboard supply control unit
- L14 Right gas discharge (xenon) bulb
- L175 Right daytime running light bulb
- MX2 Front right headlight
- M3 Right side light bulb
- M7 Front right turn signal bulb
- M31 Right headlight dipped beam bulb
- M32 Right headlight main beam bulb
- T10g 10-pin connector
- T46b 46-pin connector, brown
- T73a 73-pin connector, black

12 Earth point, on left in engine compartment

375 Earth connection 10, in main wiring harness

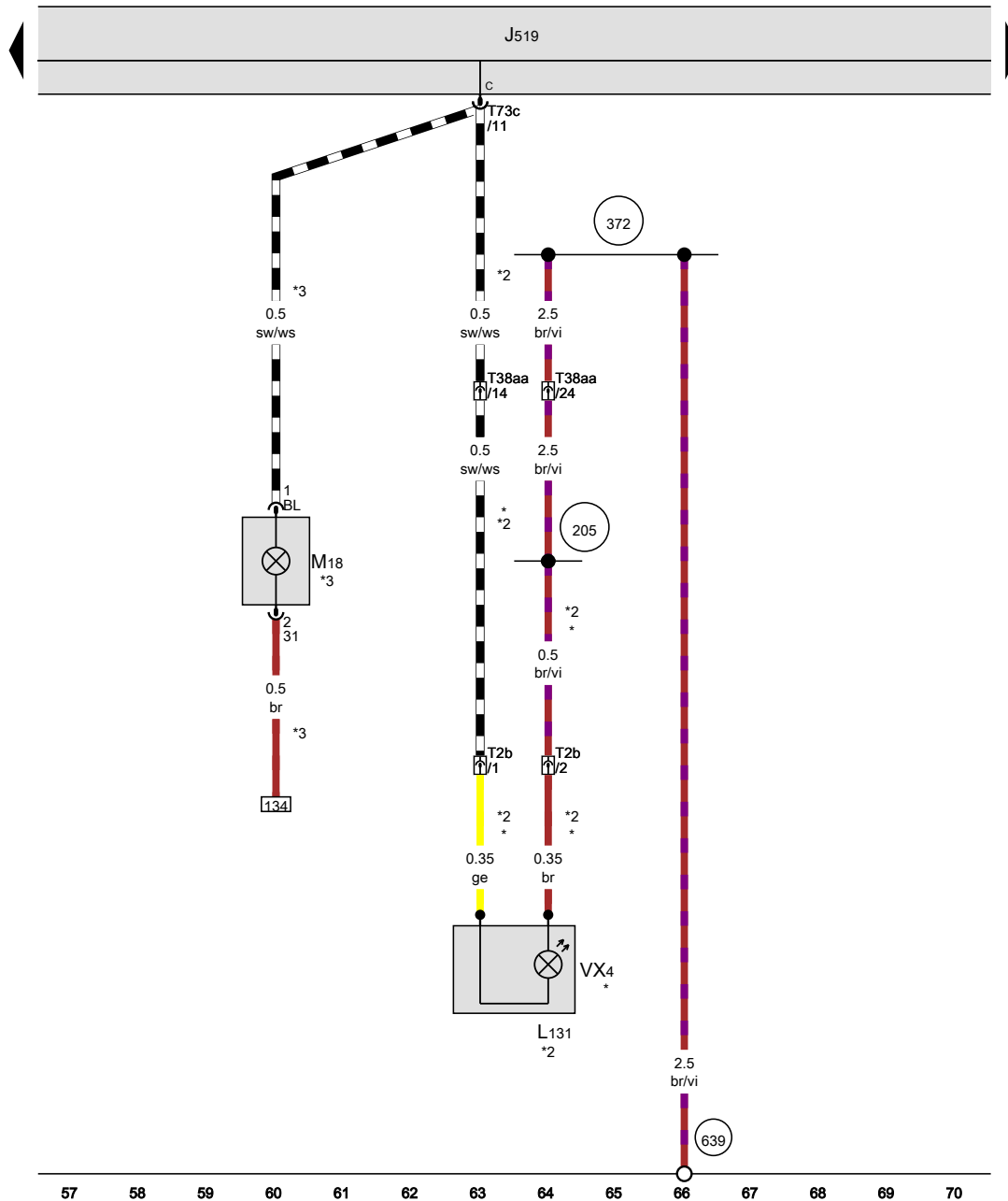
- * Only models with halogen headlights
- *2 Only models with xenon headlights
- *3 Only models with daytime running lights



- ws = white
- sw = black
- ro = red
- rt = red
- br = brown
- gn = green
- bl = blue
- gr = grey
- li = purple
- vi = purple
- ge = yellow
- or = orange
- rs = pink

[NH0-138050516]

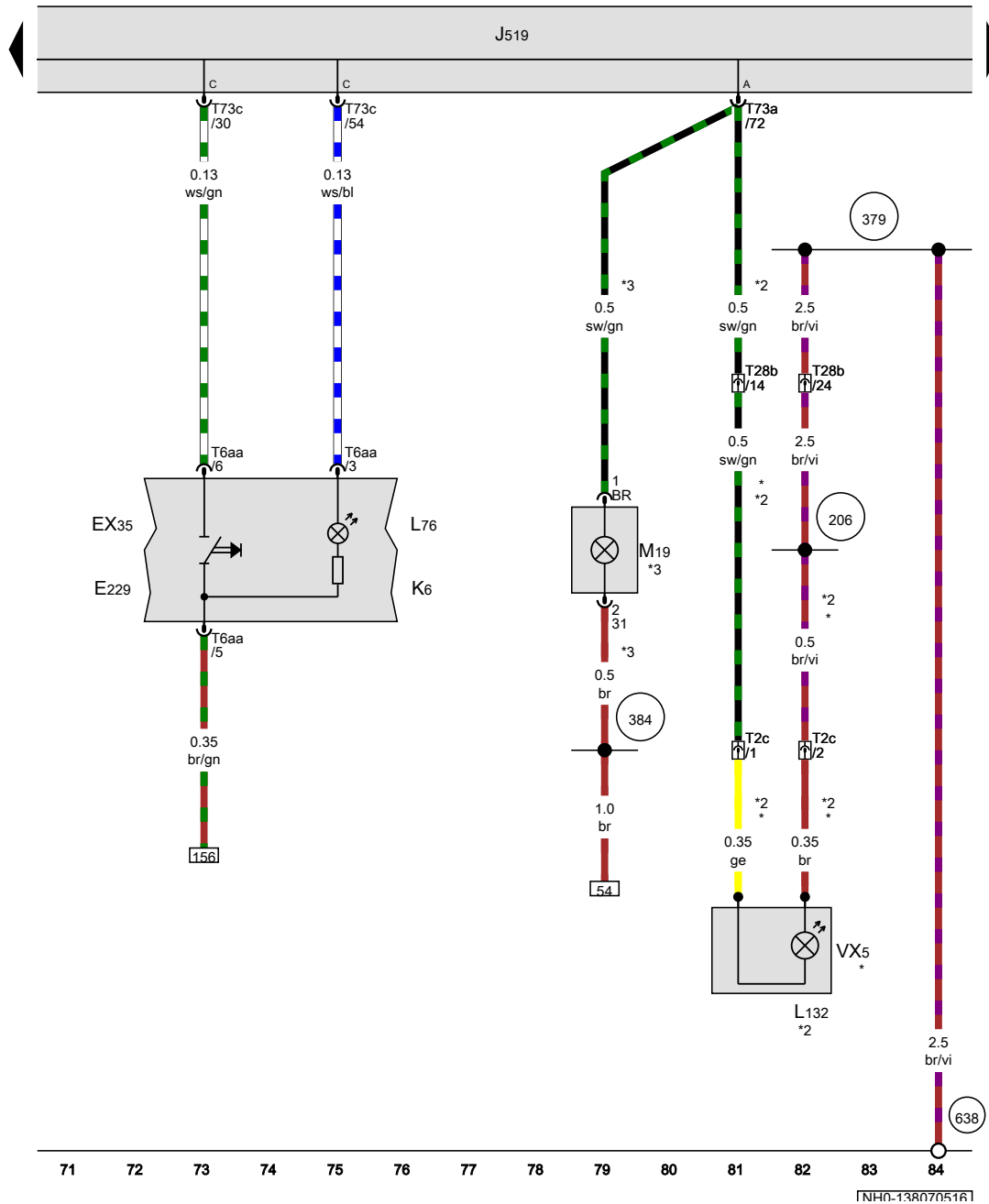
Left turn signal repeater bulb, Driver side exterior mirror



- J519 Onboard supply control unit
- L131 Driver side turn signal repeater bulb
- M18 Left turn signal repeater bulb
- T2b 2-pin connector
- T38aa 38-pin connector, on left A-pillar
- T73c 73-pin connector, black
- VX4 Driver side exterior mirror
- 205 Earth connection, in driver door wiring harness
- 372 Earth connection 7, in main wiring harness
- 639 Earth point, left A-pillar
- * Only models with no electrically adjustable exterior mirrors
- *2 Not for models with equipment for Russia
- *3 Only models with equipment for Russia

- ws = white
- sw = black
- ro = red
- rt = red
- br = brown
- gn = green
- bl = blue
- gr = grey
- li = purple
- vi = purple
- ge = yellow
- or = orange
- rs = pink

[NH0-138060516]



Centre switch module 2 in dash panel, Hazard warning lights button, Right turn signal repeater bulb, Front passenger side exterior mirror

- EX35 Centre switch module 2 in dash panel
 - E229 Hazard warning lights button
 - J519 Onboard supply control unit
 - K6 Indicator lamp for hazard warning light
 - L76 Button illumination bulb
 - L132 Front passenger side turn signal repeater bulb
 - M19 Right turn signal repeater bulb
 - T2c 2-pin connector
 - T6aa 6-pin connector
 - T28b 28-pin connector, on right A-pillar
 - T73a 73-pin connector, black
 - T73c 73-pin connector, black
 - VX5 Front passenger side exterior mirror
- 206 Earth connection, in front passenger door wiring harness
 - 379 Earth connection 14, in main wiring harness
 - 384 Earth connection 19, in main wiring harness
 - 638 Earth point, on right A-pillar
- * Only models with no electrically adjustable exterior mirrors
 - *2 Not for models with equipment for Russia
 - *3 Only models with equipment for Russia

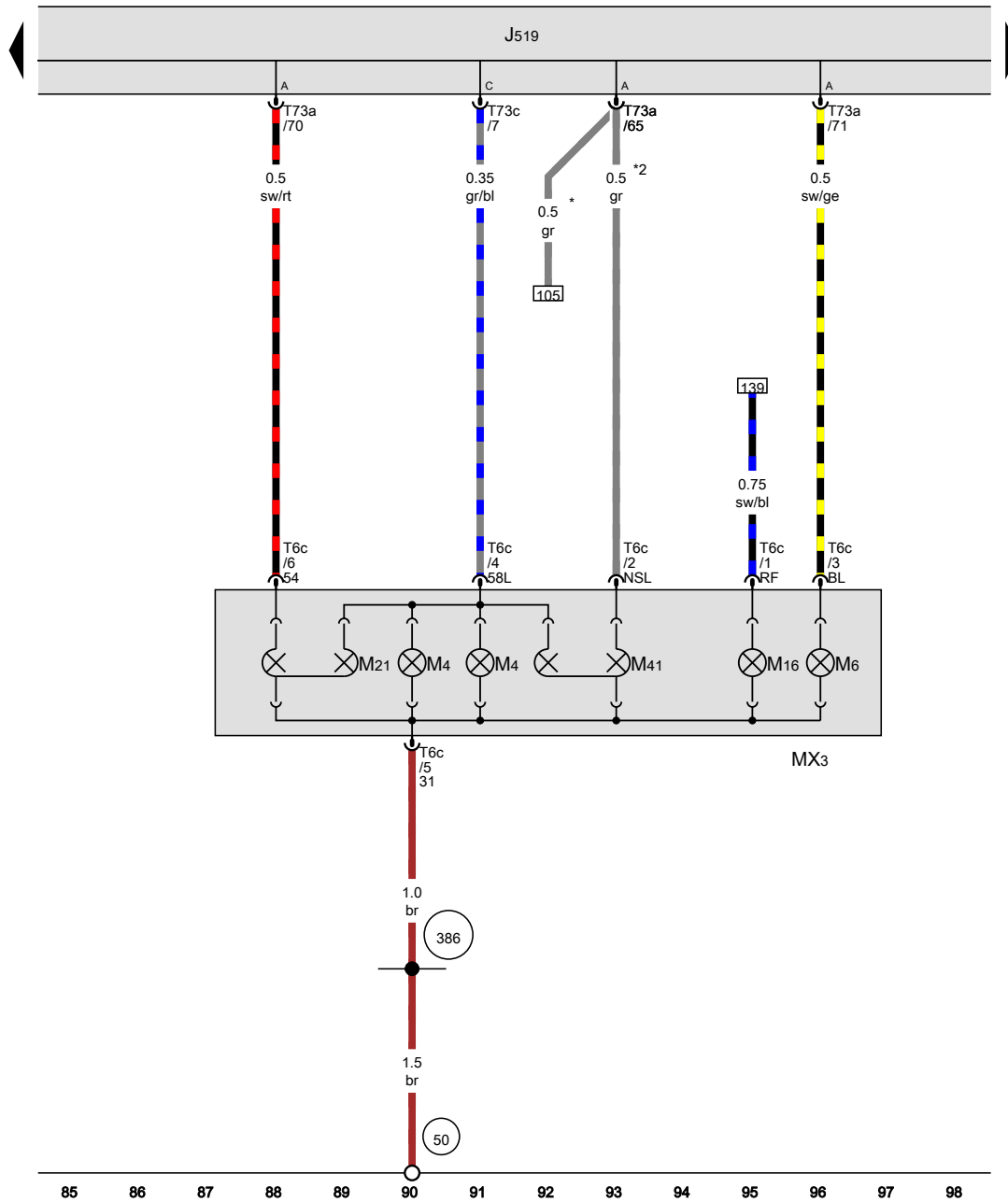
- ws = white
- sw = black
- ro = red
- rt = red
- br = brown
- gn = green
- bl = blue
- gr = grey
- li = purple
- vi = purple
- ge = yellow
- or = orange
- rs = pink

[NH0-138070516]

Left tail light

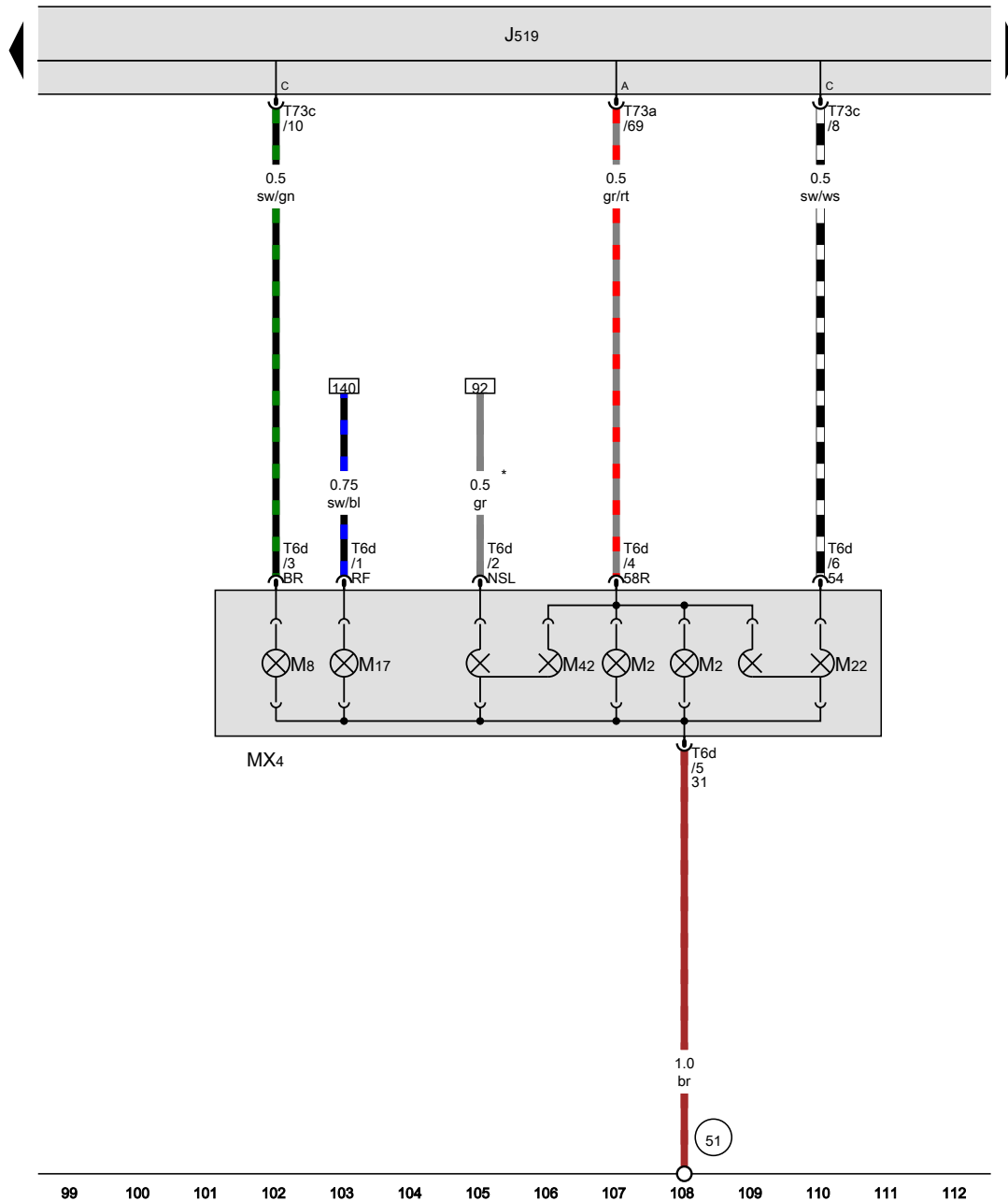
- J519 Onboard supply control unit
- MX3 Left tail light
- M4 Left tail light bulb
- M6 Rear left turn signal bulb
- M16 Left reversing light bulb
- M21 Left brake and tail light bulb
- M41 Left tail light and rear fog light bulb
- T6c 6-pin connector
- T73a 73-pin connector, black
- T73c 73-pin connector, black

- 50 Earth point, on left in luggage compartment
- 386 Earth connection 21, in main wiring harness
- * Only right-hand drive models
- *2 Only left-hand drive models



- ws = white
- sw = black
- ro = red
- rt = red
- br = brown
- gn = green
- bl = blue
- gr = grey
- li = purple
- vi = purple
- ge = yellow
- or = orange
- rs = pink

[NH0-138000516]



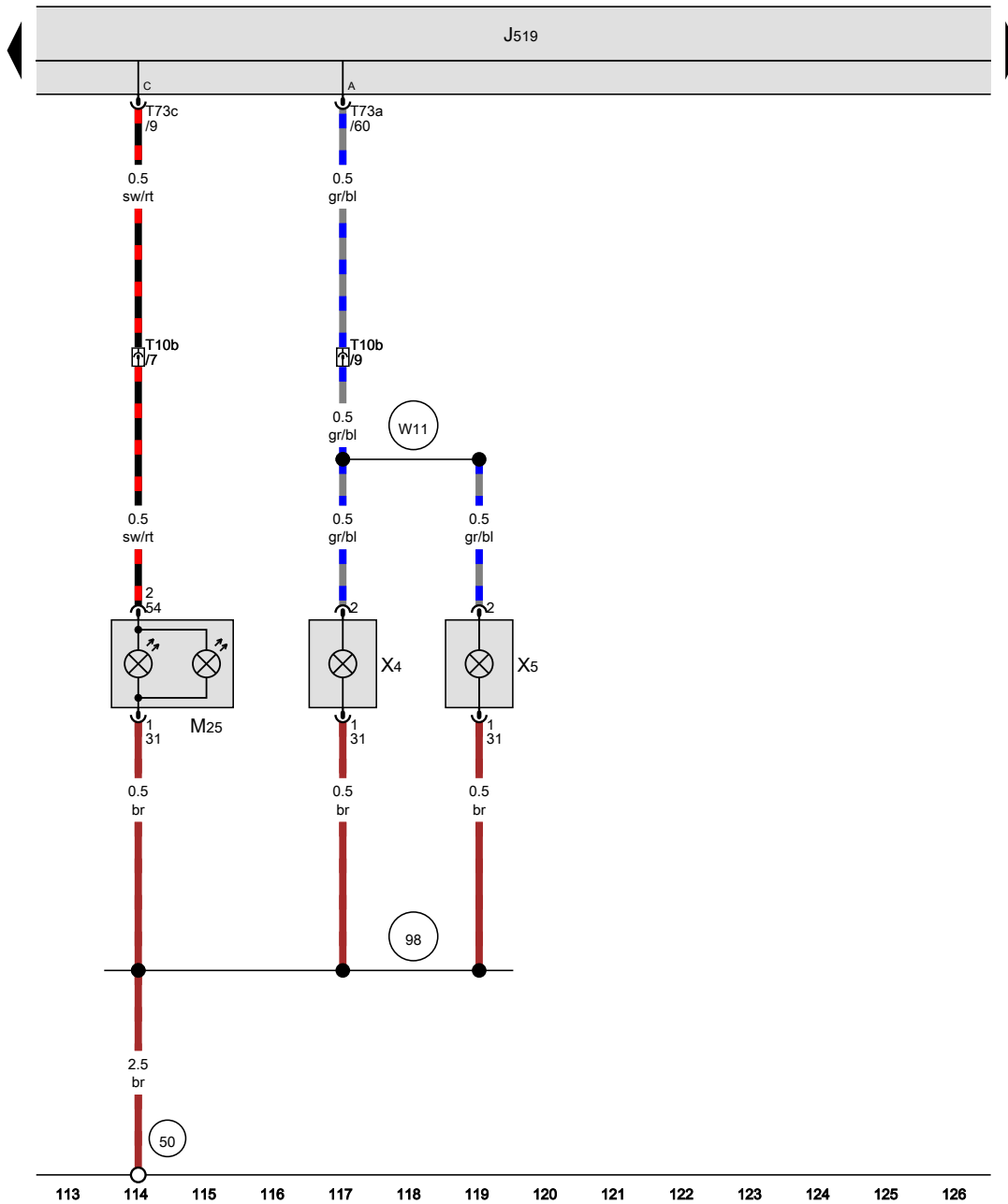
Right tail light

- J519 Onboard supply control unit
- M2 Right tail light bulb
- MX4 Right tail light
- M8 Rear right turn signal bulb
- M17 Right reversing light bulb
- M22 Right brake and tail light bulb
- M42 Right tail light and rear fog light bulb
- T6d 6-pin connector
- T73a 73-pin connector, black
- T73c 73-pin connector, black

51 Earth point, on right in luggage compartment

* Only right-hand drive models

- ws = white
- sw = black
- ro = red
- rt = red
- br = brown
- gn = green
- bl = blue
- gr = grey
- li = purple
- vi = purple
- ge = yellow
- or = orange
- rs = pink



High-level brake light bulb, Left number plate light, Right number plate light

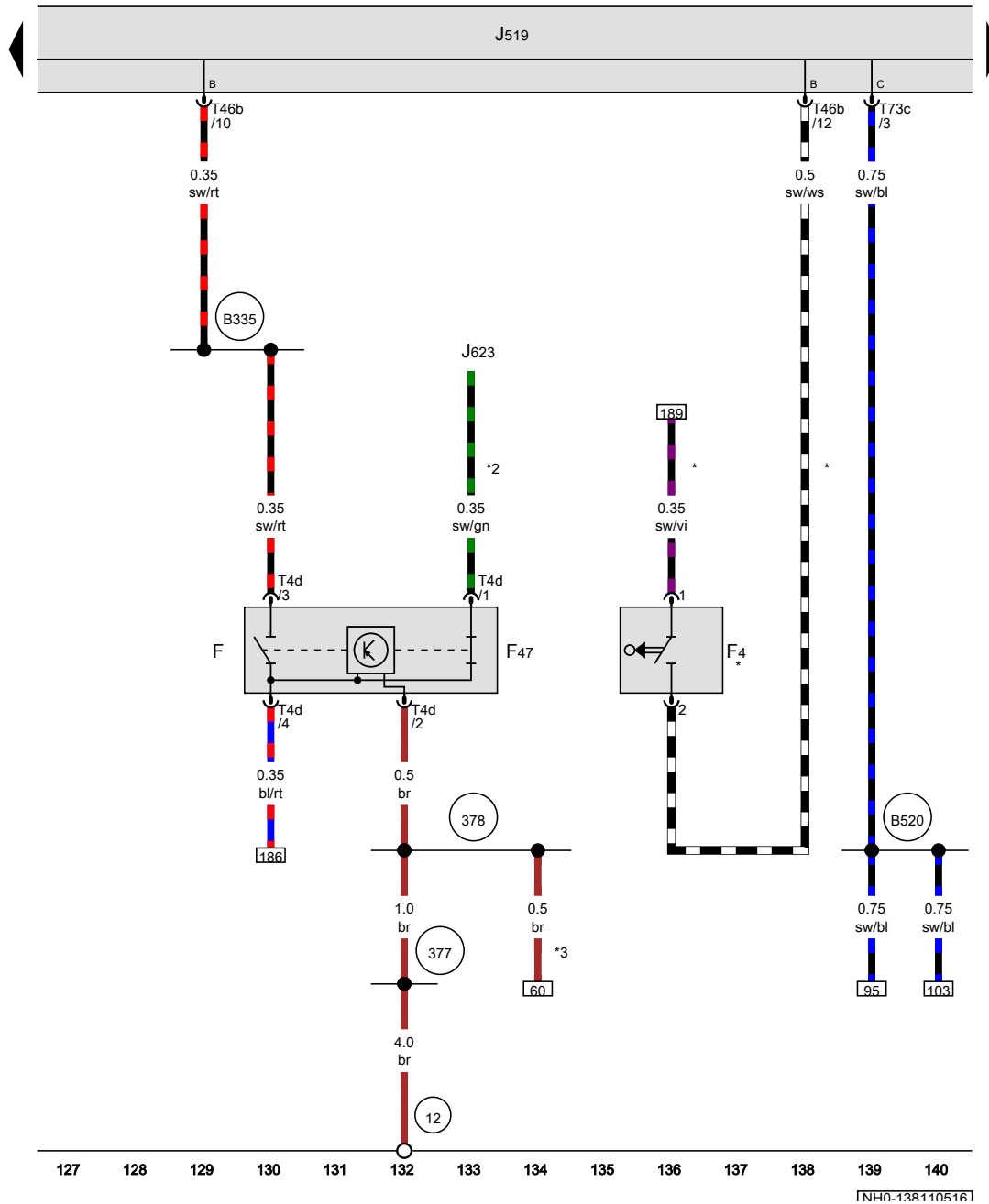
- J519 Onboard supply control unit
- M25 High-level brake light bulb
- T10b 10-pin connector
- T73a 73-pin connector, black
- T73c 73-pin connector, black
- X4 Left number plate light
- X5 Right number plate light

- 50 Earth point, on left in luggage compartment
- 98 Earth connection, in rear lid wiring harness
- W11 Connection (58), in rear lid wiring harness

- ws = white
- sw = black
- ro = red
- rt = red
- br = brown
- gn = green
- bl = blue
- gr = grey
- li = purple
- vi = purple
- ge = yellow
- or = orange
- rs = pink

[NH0-138100516]

Reversing light switch, Brake pedal switch



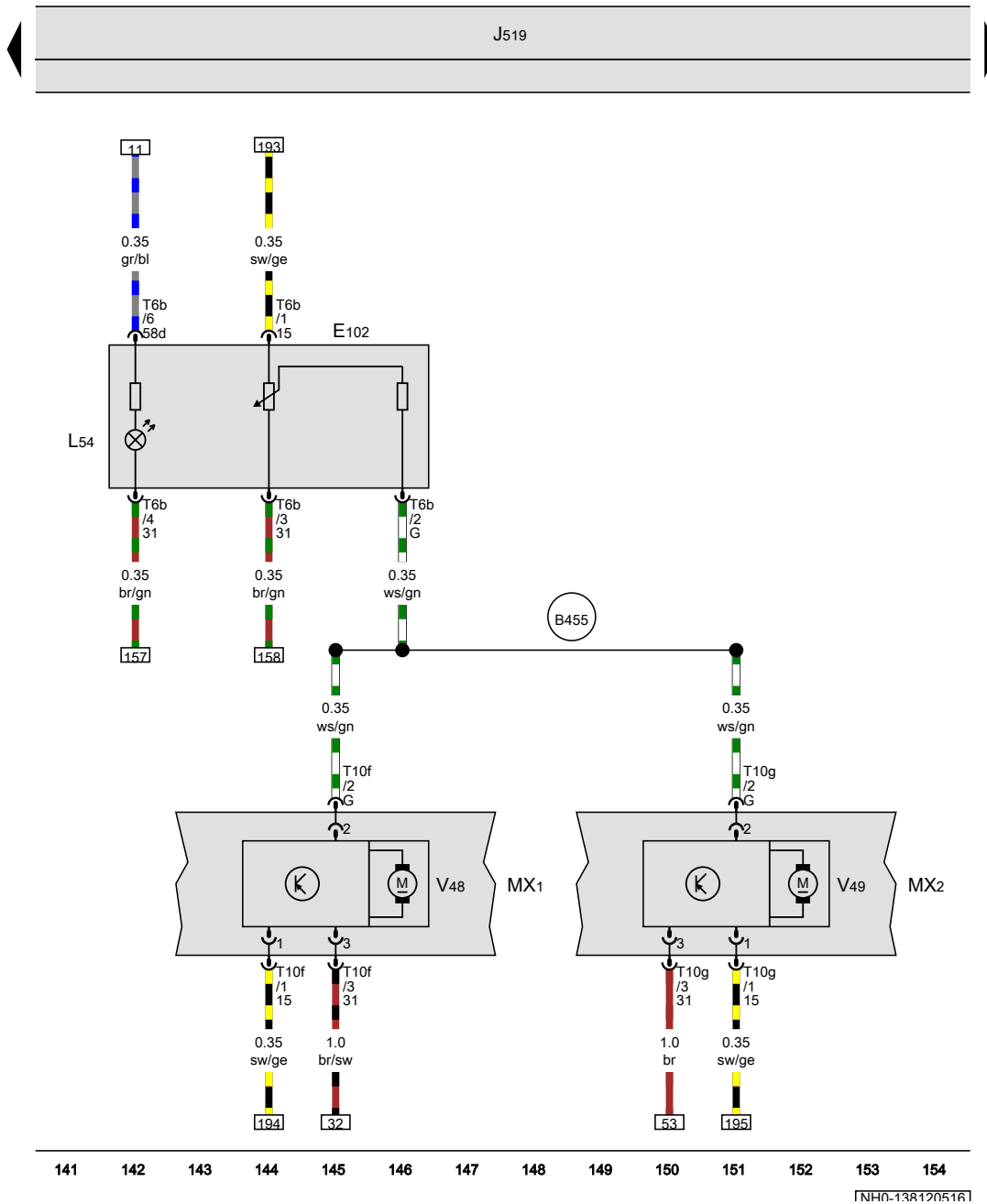
- F Brake light switch
- F4 Reversing light switch
- F47 Brake pedal switch
- J519 Onboard supply control unit
- J623 Engine control unit
- T4d 4-pin connector
- T46b 46-pin connector, brown
- T73c 73-pin connector, black
- 12 Earth point, on left in engine compartment
- 377 Earth connection 12, in main wiring harness
- 378 Earth connection 13, in main wiring harness
- B335 Connection 1 (54), in main wiring harness
- B520 Connection (RL), in main wiring harness
- * Only models with manual gearbox
- *2 see applicable current flow diagram for engine
- *3 Only models with equipment for Russia

- ws = white
- sw = black
- ro = red
- rt = red
- br = brown
- gn = green
- bl = blue
- gr = grey
- li = purple
- vi = purple
- ge = yellow
- or = orange
- rs = pink

[NH0-138110516]

Headlight range control regulator, Left headlight range control motor, Right headlight range control motor

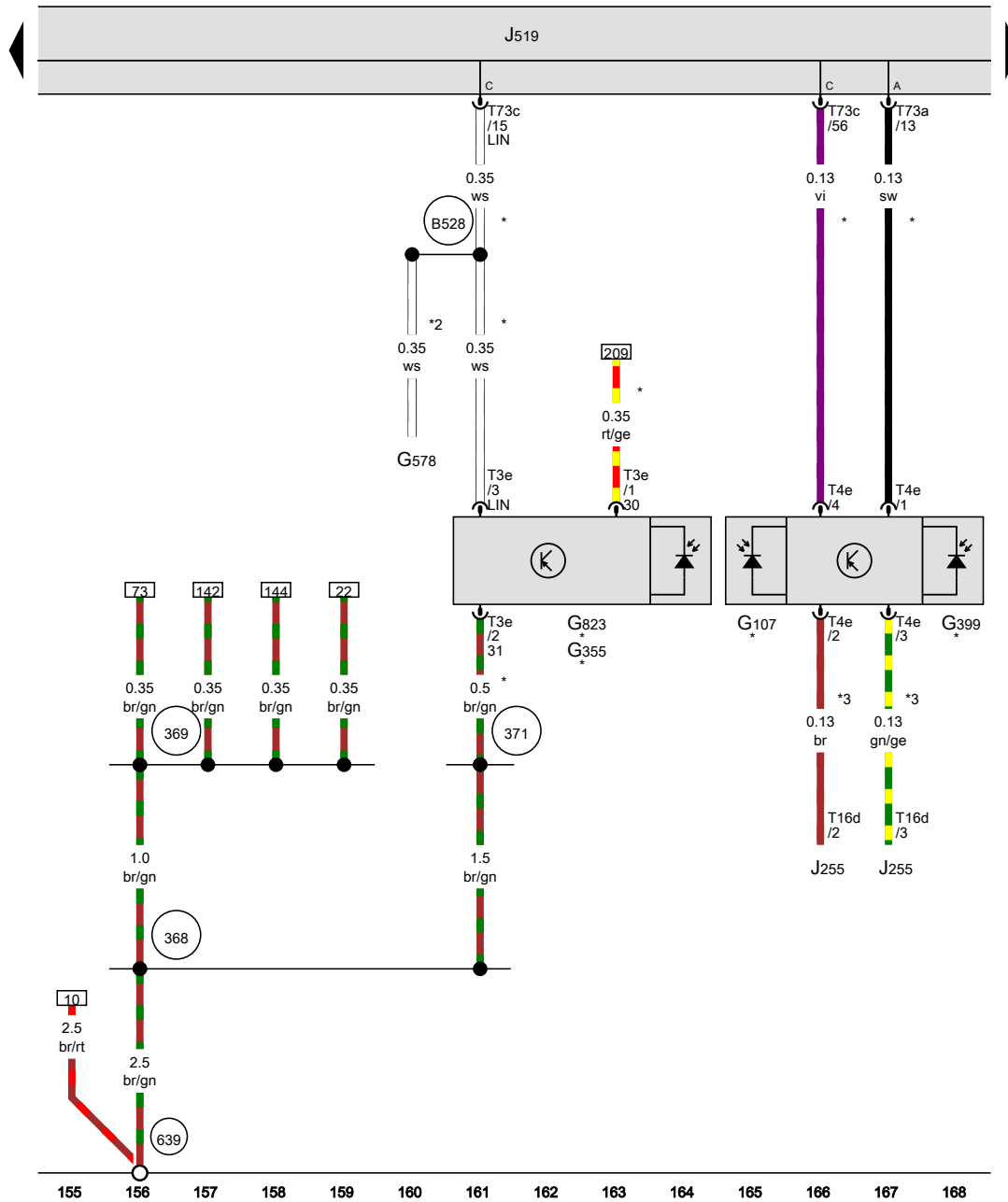
- E102 Headlight range control regulator
- J519 Onboard supply control unit
- L54 Headlight range control regulator illumination bulb
- MX1 Front left headlight
- MX2 Front right headlight
- T6b 6-pin connector
- T10f 10-pin connector
- T10g 10-pin connector
- V48 Left headlight range control motor
- V49 Right headlight range control motor
- B455 Connection (HRC), in main wiring harness



- ws = white
- sw = black
- ro = red
- rt = red
- br = brown
- gn = green
- bl = blue
- gr = grey
- li = purple
- vi = purple
- ge = yellow
- or = orange
- rs = pink

141 142 143 144 145 146 147 148 149 150 151 152 153 154

[NH0-138120516]



Sunlight penetration photosensor, Humidity sender, Light sensor, Air humidity, rain and light sensor

- G107 Sunlight penetration photosensor
- G355 Humidity sender
- G399 Light sensor
- G578 Anti-theft alarm sensor
- G823 Air humidity, rain and light sensor
- J255 Climatronic control unit
- J519 Onboard supply control unit
- T3e 3-pin connector
- T4e 4-pin connector
- T16d 16-pin connector
- T73a 73-pin connector, black
- T73c 73-pin connector, black

- 368 Earth connection 3, in main wiring harness
- 369 Earth connection 4, in main wiring harness
- 371 Earth connection 6, in main wiring harness
- 639 Earth point, left A-pillar
- B528 Connection 1 (LIN bus) in main wiring harness

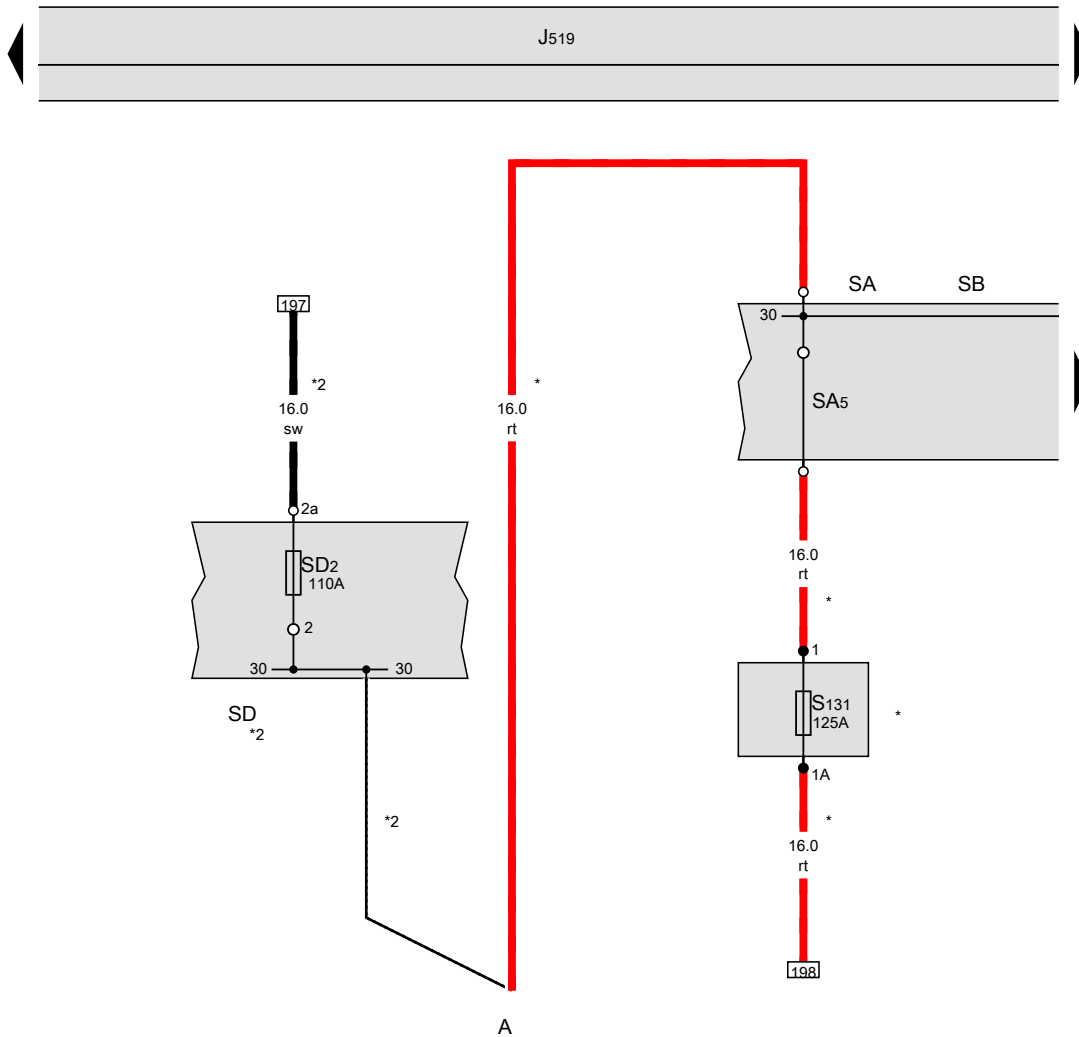
- * According to equipment
- *2 For models with anti-theft alarm system
- *3 Only models with Climatronic

- ws = white
- sw = black
- ro = red
- rt = red
- br = brown
- gn = green
- bl = blue
- gr = grey
- li = purple
- vi = purple
- ge = yellow
- or = orange
- rs = pink

[NH0-138130516]

Battery, Fuse holder A, Fuse holder B, Fuse holder D

- A Battery
- J519 Onboard supply control unit
- SD2 Fuse 2 on fuse holder D
- SA5 Fuse 5 in fuse holder A
- S131 Fuse 1, in main wiring harness
- SA Fuse holder A
- SB Fuse holder B
- SD Fuse holder D
- * Only models with battery in engine compartment
- *2 Only models with battery in luggage compartment



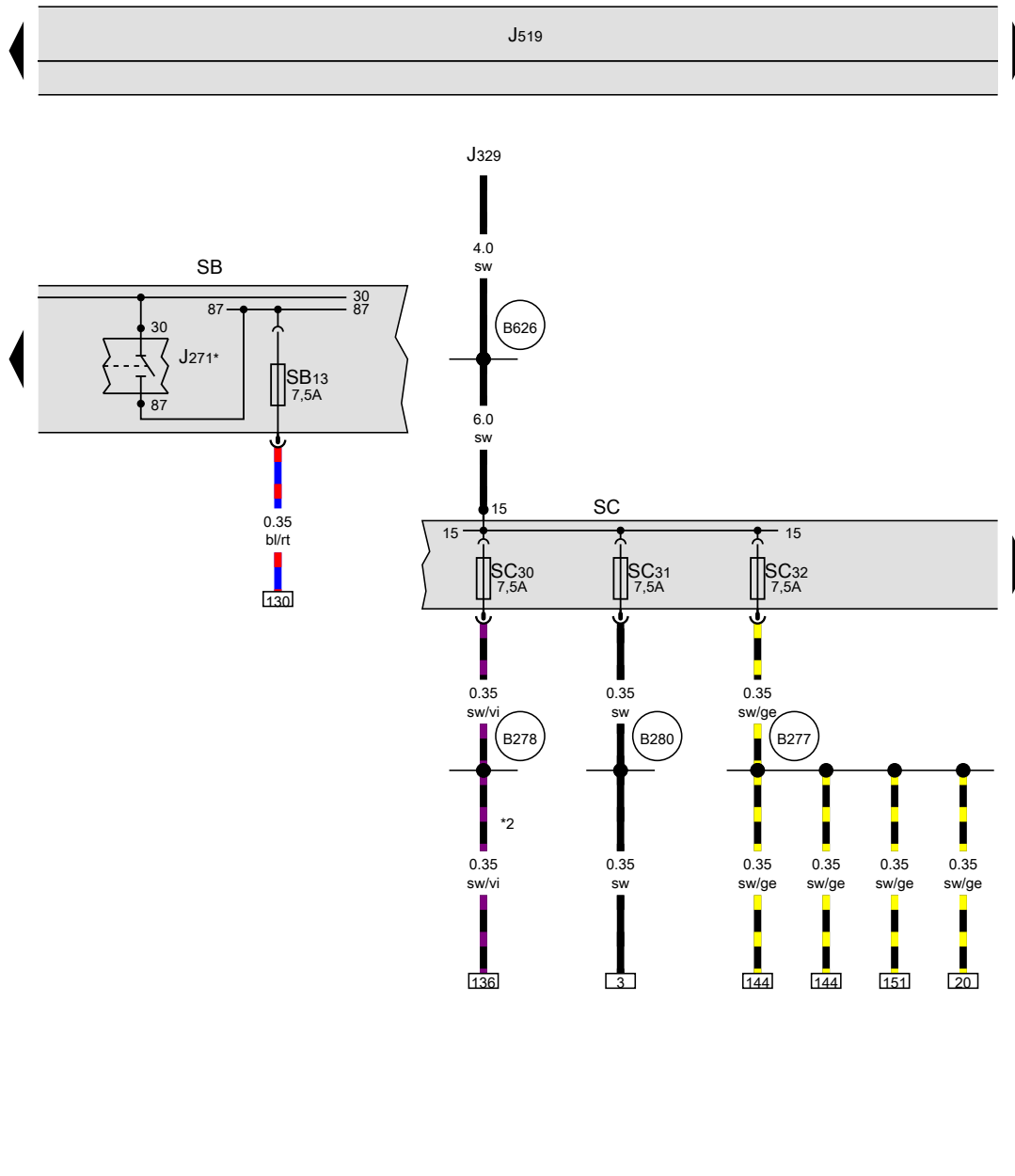
- ws = white
- sw = black
- ro = red
- rt = red
- br = brown
- gn = green
- bl = blue
- gr = grey
- li = purple
- vi = purple
- ge = yellow
- or = orange
- rs = pink

Fuse holder B, Fuse holder C

- J271 Main relay
- J329 Terminal 15 voltage supply relay
- J519 Onboard supply control unit
- SB Fuse holder B
- SB13 Fuse 13 on fuse holder B
- SC Fuse holder C
- SC30 Fuse 30 on fuse holder C
- SC31 Fuse 31 on fuse holder C
- SC32 Fuse 32 on fuse holder C

- (B277) Positive connection 1 (15a) in main wiring harness
- (B278) Positive connection 2 (15a) in main wiring harness
- (B280) Positive connection 4 (15a) in main wiring harness
- (B626) Positive connection 2 (15), in main wiring harness

* see applicable current flow diagram for engine
 *2 Only models with manual gearbox



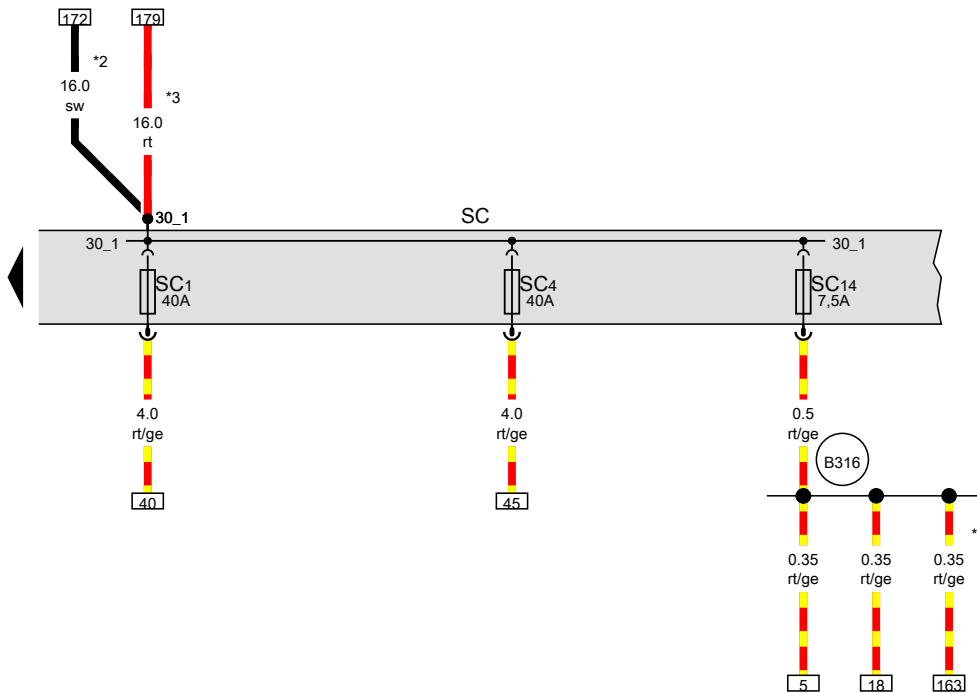
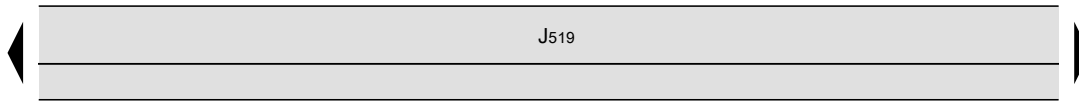
ws = white
 sw = black
 ro = red
 rt = red
 br = brown
 gn = green
 bl = blue
 gr = grey
 li = purple
 vi = purple
 ge = yellow
 or = orange
 rs = pink

Fuse holder C

- J519 Onboard supply control unit
- SC Fuse holder C
- SC1 Fuse 1 on fuse holder C
- SC4 Fuse 4 on fuse holder C
- SC14 Fuse 14 on fuse holder C

B316 Positive connection 2 (30a) in main wiring harness

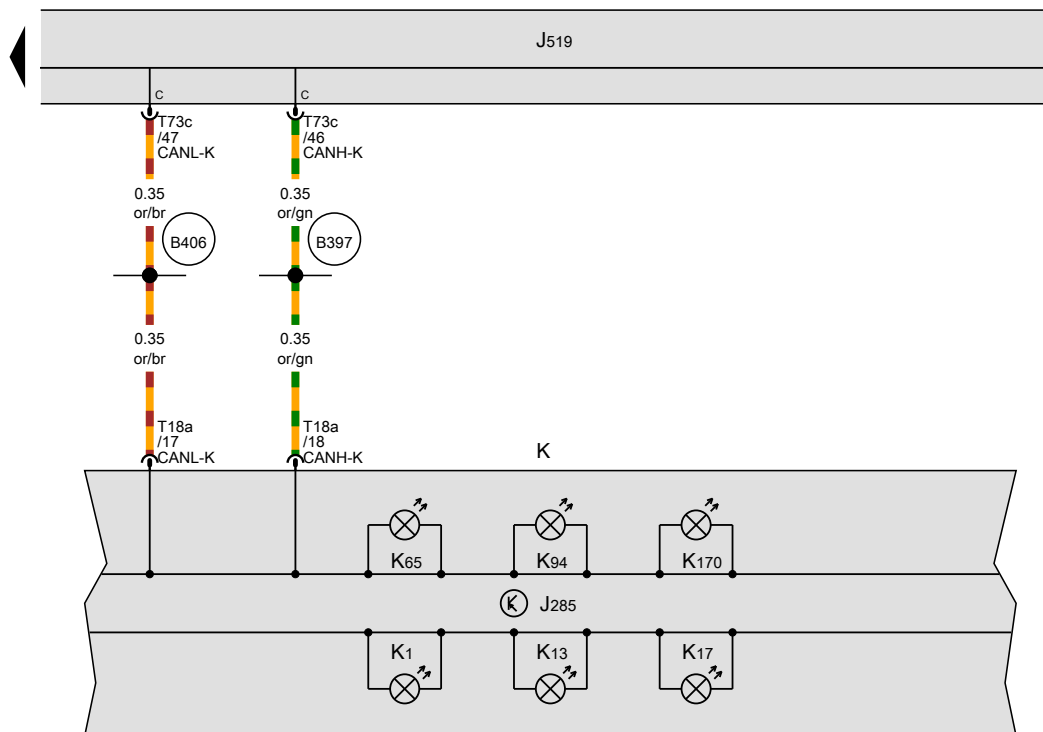
- * According to equipment
- *2 Only models with battery in luggage compartment
- *3 Only models with battery in engine compartment



- ws = white
- sw = black
- ro = red
- rt = red
- br = brown
- gn = green
- bl = blue
- gr = grey
- li = purple
- vi = purple
- ge = yellow
- or = orange
- rs = pink

197 198 199 200 201 202 203 204 205 206 207 208 209 210

[NH0-138160516]



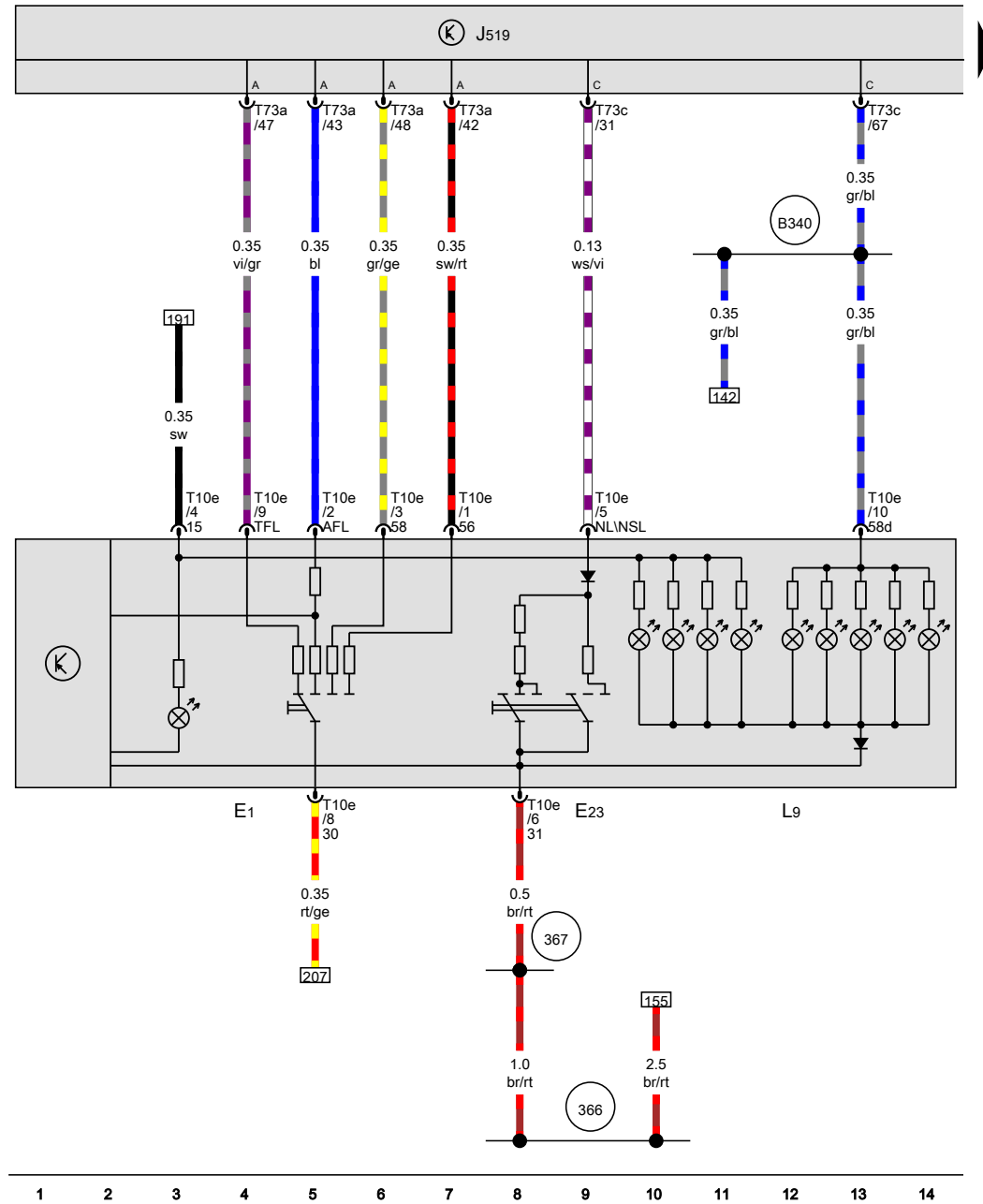
Dash panel insert

- J285 Control unit in dash panel insert
- J519 Onboard supply control unit
- K Dash panel insert
- K1 Main beam warning lamp
- K13 Rear fog light warning lamp
- K17 Fog light warning lamp
- K65 Left turn signal warning lamp
- K94 Right turn signal warning lamp
- K170 Bulb failure warning lamp
- T18a 18-pin connector
- T73c 73-pin connector, black
- B397 Connection 1 (convenience CAN bus, high), in main wiring harness
- B406 Connection 1 (convenience CAN bus, low), in main wiring harness

- ws = white
- sw = black
- ro = red
- rt = red
- br = brown
- gn = green
- bl = blue
- gr = grey
- li = purple
- vi = purple
- ge = yellow
- or = orange
- rs = pink

Exterior lighting , (K8B),(L0R)

From May 2016



Light switch

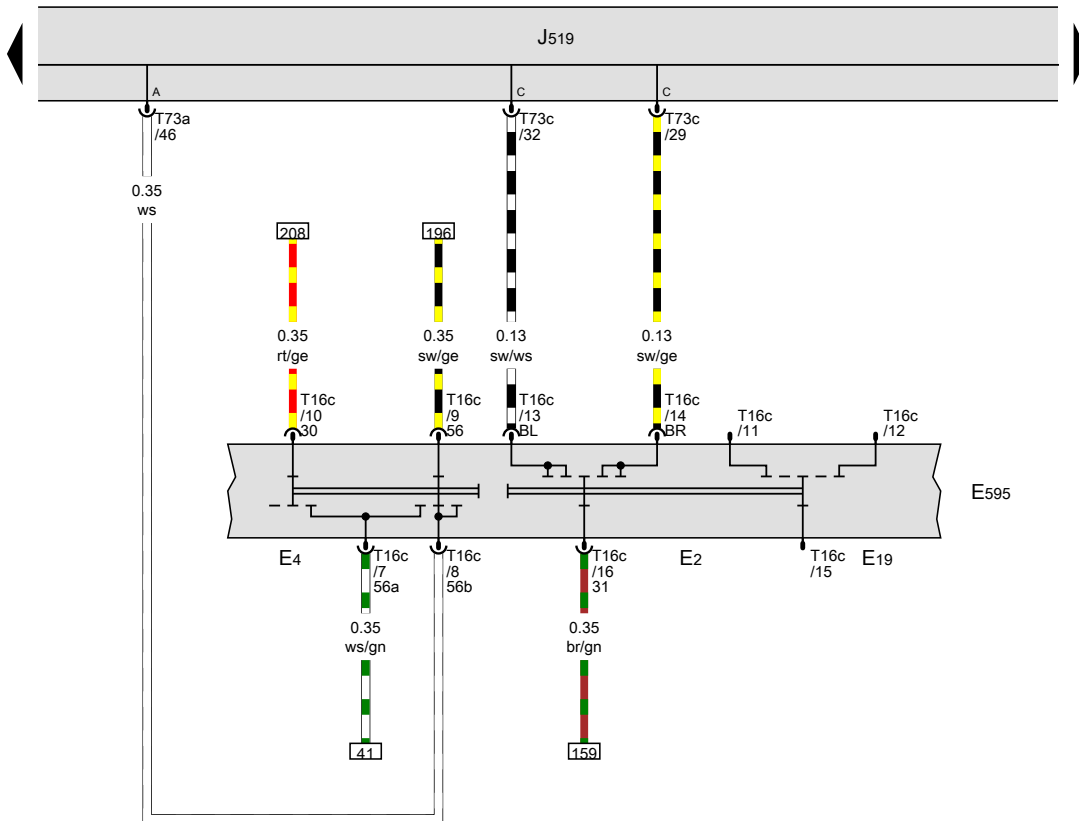
- E1 Light switch
- E23 Front and rear fog light switch
- J519 Onboard supply control unit
- L9 Light switch illumination bulb
- T10e 10-pin connector
- T73a 73-pin connector, black
- T73c 73-pin connector, black
- 366 Earth connection 1, in main wiring harness
- 367 Earth connection 2, in main wiring harness
- B340 Connection 1 (58d), in main wiring harness

- ws = white
- sw = black
- ro = red
- rt = red
- br = brown
- gn = green
- bl = blue
- gr = grey
- li = purple
- vi = purple
- ge = yellow
- or = orange
- rs = pink

[NH0-139020516]

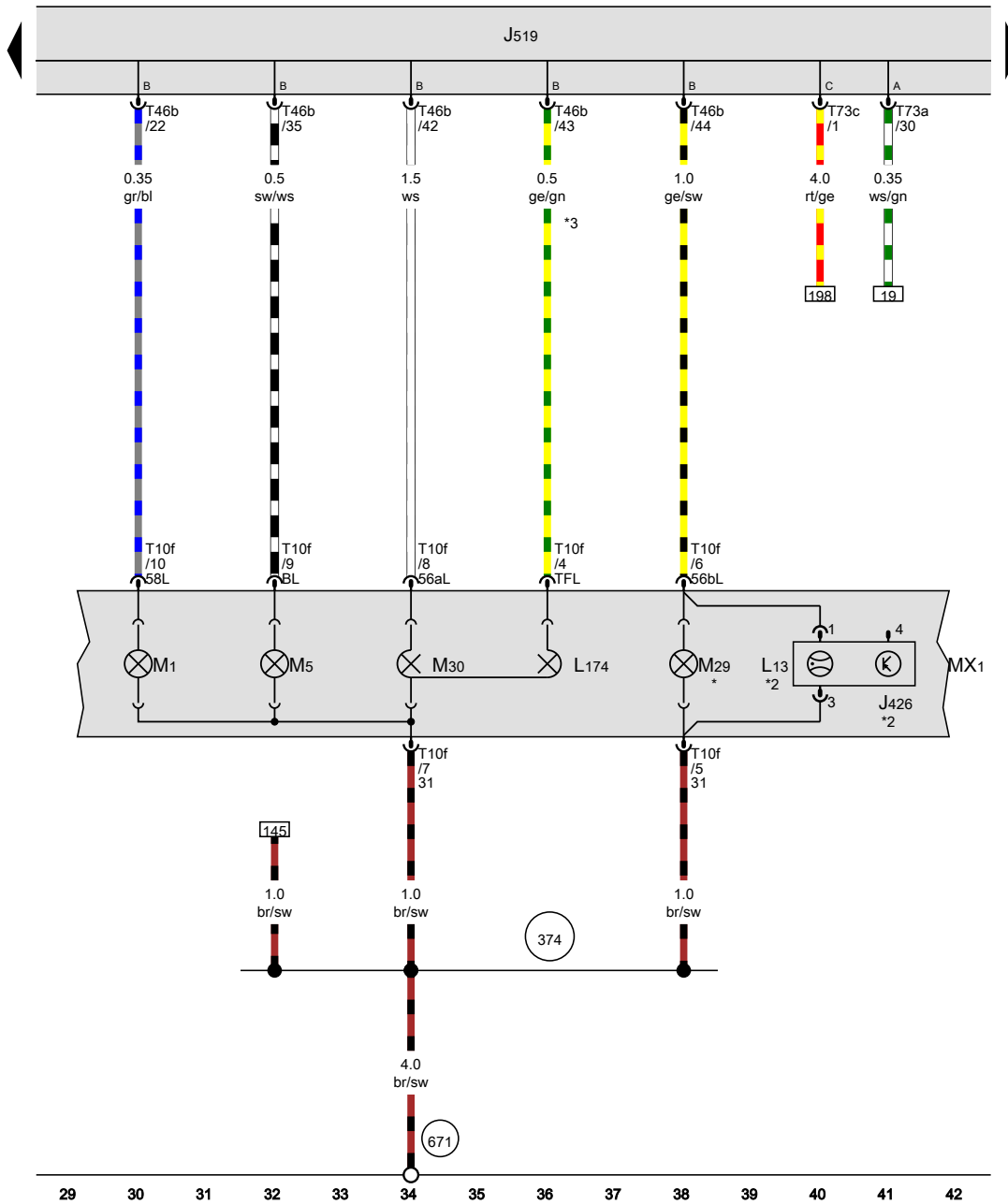
Turn signal switch, Headlight dipper and flasher switch, Parking light switch, Steering column combination switch

- E2 Turn signal switch
- E4 Headlight dipper and flasher switch
- E19 Parking light switch
- E595 Steering column combination switch
- J519 Onboard supply control unit
- T16c 16-pin connector
- T73a 73-pin connector, black
- T73c 73-pin connector, black



- ws = white
- sw = black
- ro = red
- rt = red
- br = brown
- gn = green
- bl = blue
- gr = grey
- li = purple
- vi = purple
- ge = yellow
- or = orange
- rs = pink

Front left headlight



- J426 Left headlight starter for gas discharge light
- J519 Onboard supply control unit
- L13 Left gas discharge (xenon) bulb
- L174 Left daytime running light bulb
- MX1 Front left headlight
- M1 Left side light bulb
- M5 Front left turn signal bulb
- M29 Left headlight dipped beam bulb
- M30 Left headlight main beam bulb
- T10f 10-pin connector
- T46b 46-pin connector, brown
- T73a 73-pin connector, black
- T73c 73-pin connector, black

374 Earth connection 9, in main wiring harness

671 Earth point 1, on front of left longitudinal member

- * Only models with halogen headlights
- *2 Only models with xenon headlights
- *3 Only models with daytime running lights

- ws = white
- sw = black
- ro = red
- rt = red
- br = brown
- gn = green
- bl = blue
- gr = grey
- li = purple
- vi = purple
- ge = yellow
- or = orange
- rs = pink

Front right headlight

- J427 Right headlight starter for gas discharge light
- J519 Onboard supply control unit
- L14 Right gas discharge (xenon) bulb
- L175 Right daytime running light bulb
- MX2 Front right headlight
- M3 Right side light bulb
- M7 Front right turn signal bulb
- M31 Right headlight dipped beam bulb
- M32 Right headlight main beam bulb
- T10g 10-pin connector
- T46b 46-pin connector, brown
- T73a 73-pin connector, black

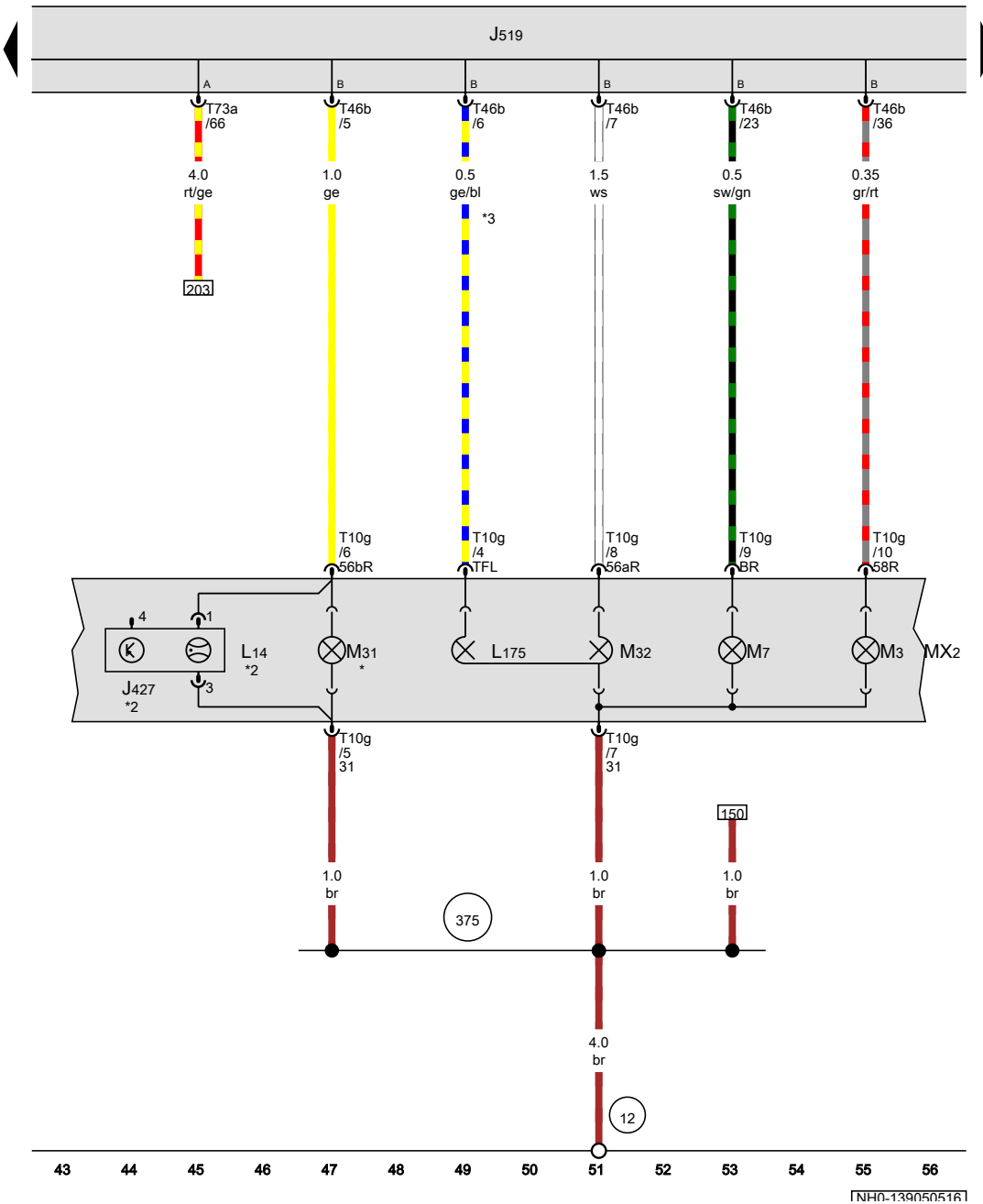
12 Earth point, on left in engine compartment

375 Earth connection 10, in main wiring harness

* Only models with halogen headlights

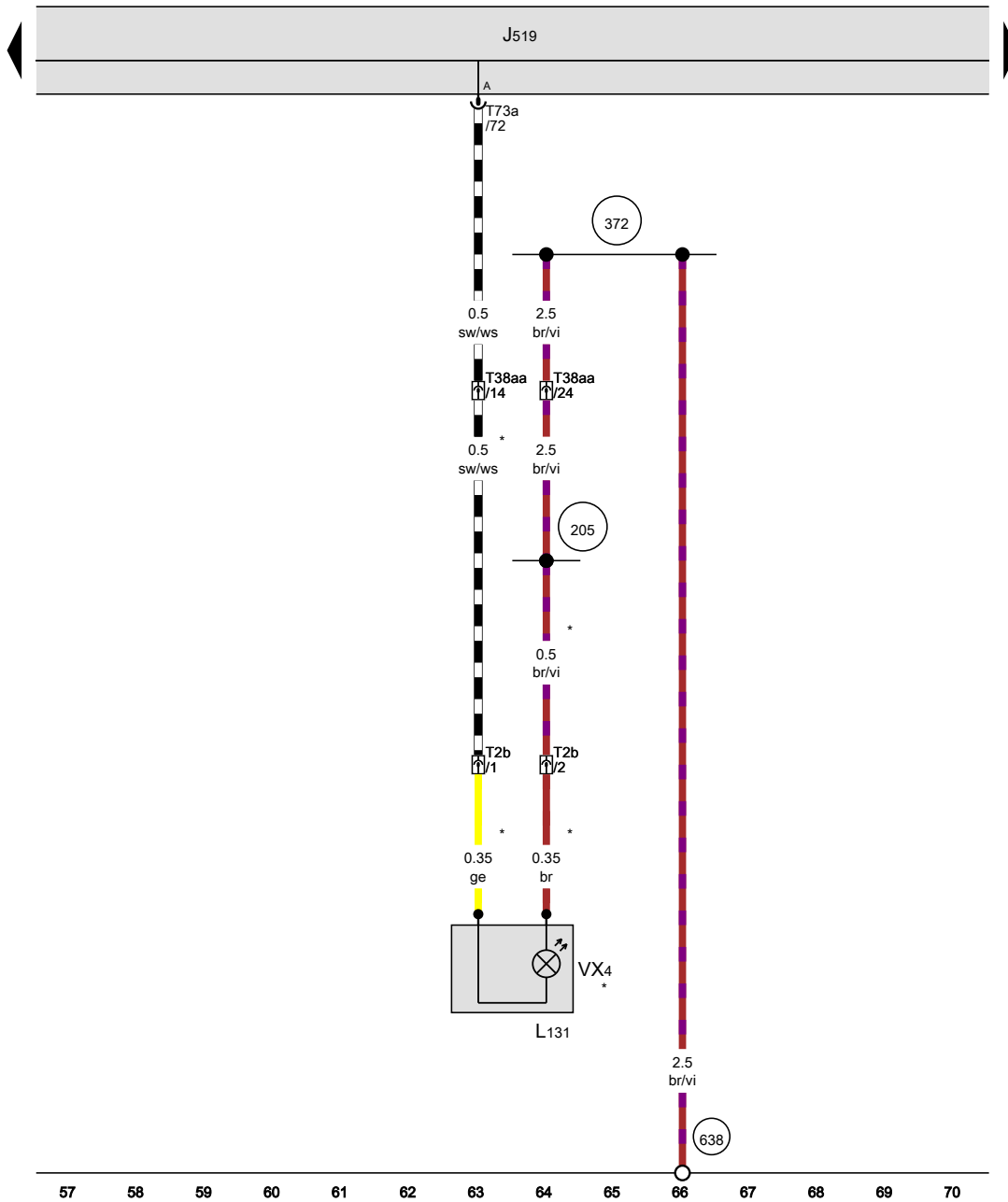
*2 Only models with xenon headlights

*3 Only models with daytime running lights



- ws = white
- sw = black
- ro = red
- rt = red
- br = brown
- gn = green
- bl = blue
- gr = grey
- li = purple
- vi = purple
- ge = yellow
- or = orange
- rs = pink

[NH0-139050516]



Driver side exterior mirror

- J519 Onboard supply control unit
- L131 Driver side turn signal repeater bulb
- T2b 2-pin connector
- T38aa 38-pin connector, on right A-pillar
- T73a 73-pin connector, black
- VX4 Driver side exterior mirror

205 Earth connection, in driver door wiring harness

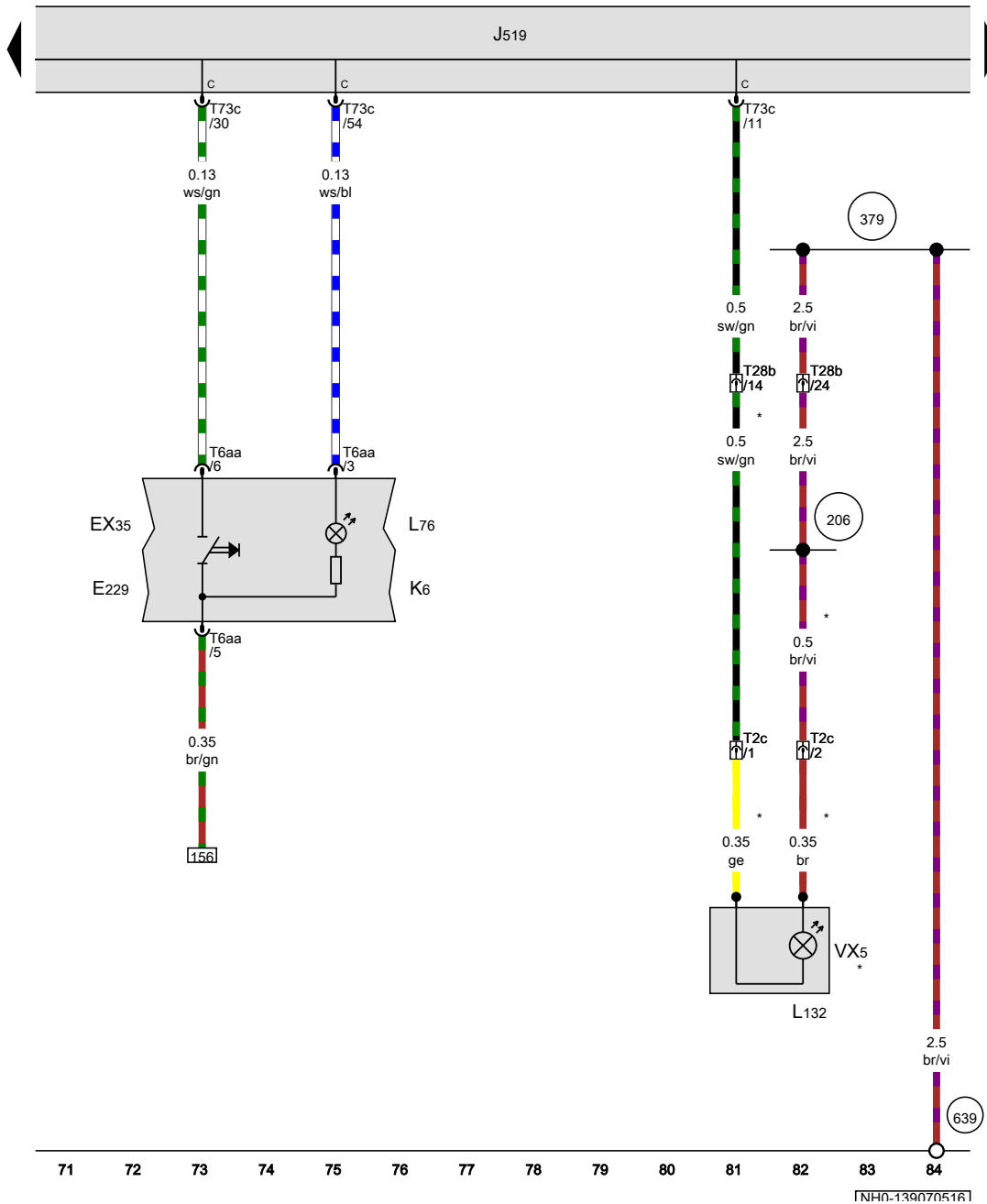
372 Earth connection 7, in main wiring harness

638 Earth point, on right A-pillar

* Only models with no electrically adjustable exterior mirrors

- ws = white
- sw = black
- ro = red
- rt = red
- br = brown
- gn = green
- bl = blue
- gr = grey
- li = purple
- vi = purple
- ge = yellow
- or = orange
- rs = pink

[NH0-139060516]



Centre switch module 2 in dash panel, Hazard warning lights button, Front passenger side exterior mirror

- EX35 Centre switch module 2 in dash panel
- E229 Hazard warning lights button
- J519 Onboard supply control unit
- K6 Indicator lamp for hazard warning light
- L76 Button illumination bulb
- L132 Front passenger side turn signal repeater bulb
- T2c 2-pin connector
- T6aa 6-pin connector
- T28b 28-pin connector, on left A-pillar
- T73c 73-pin connector, black
- VX5 Front passenger side exterior mirror
- 206 Earth connection, in front passenger door wiring harness
- 379 Earth connection 14, in main wiring harness
- 639 Earth point, left A-pillar
- * Only models with no electrically adjustable exterior mirrors

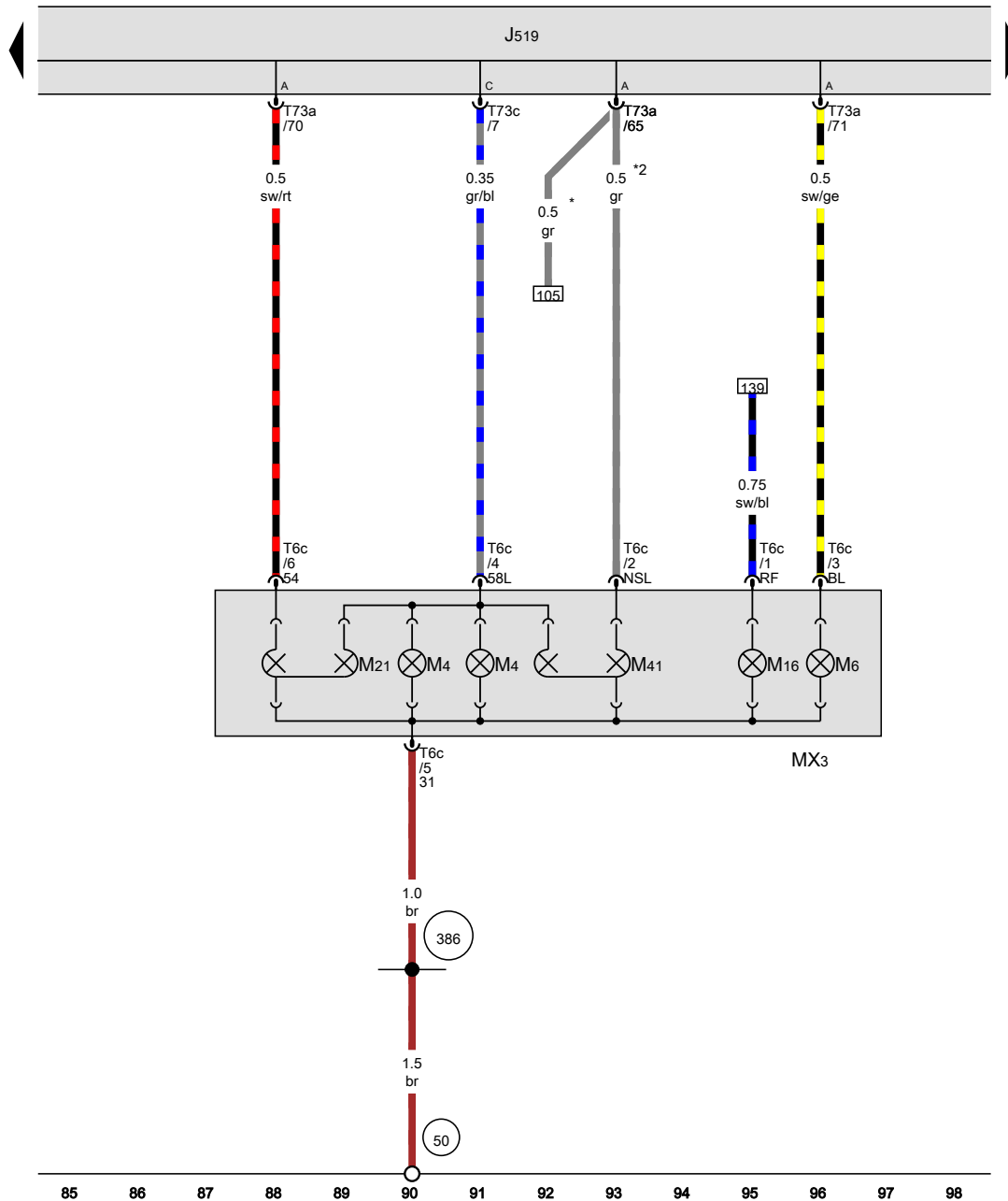
- ws = white
- sw = black
- ro = red
- rt = red
- br = brown
- gn = green
- bl = blue
- gr = grey
- li = purple
- vi = purple
- ge = yellow
- or = orange
- rs = pink

[NH0-139070516]

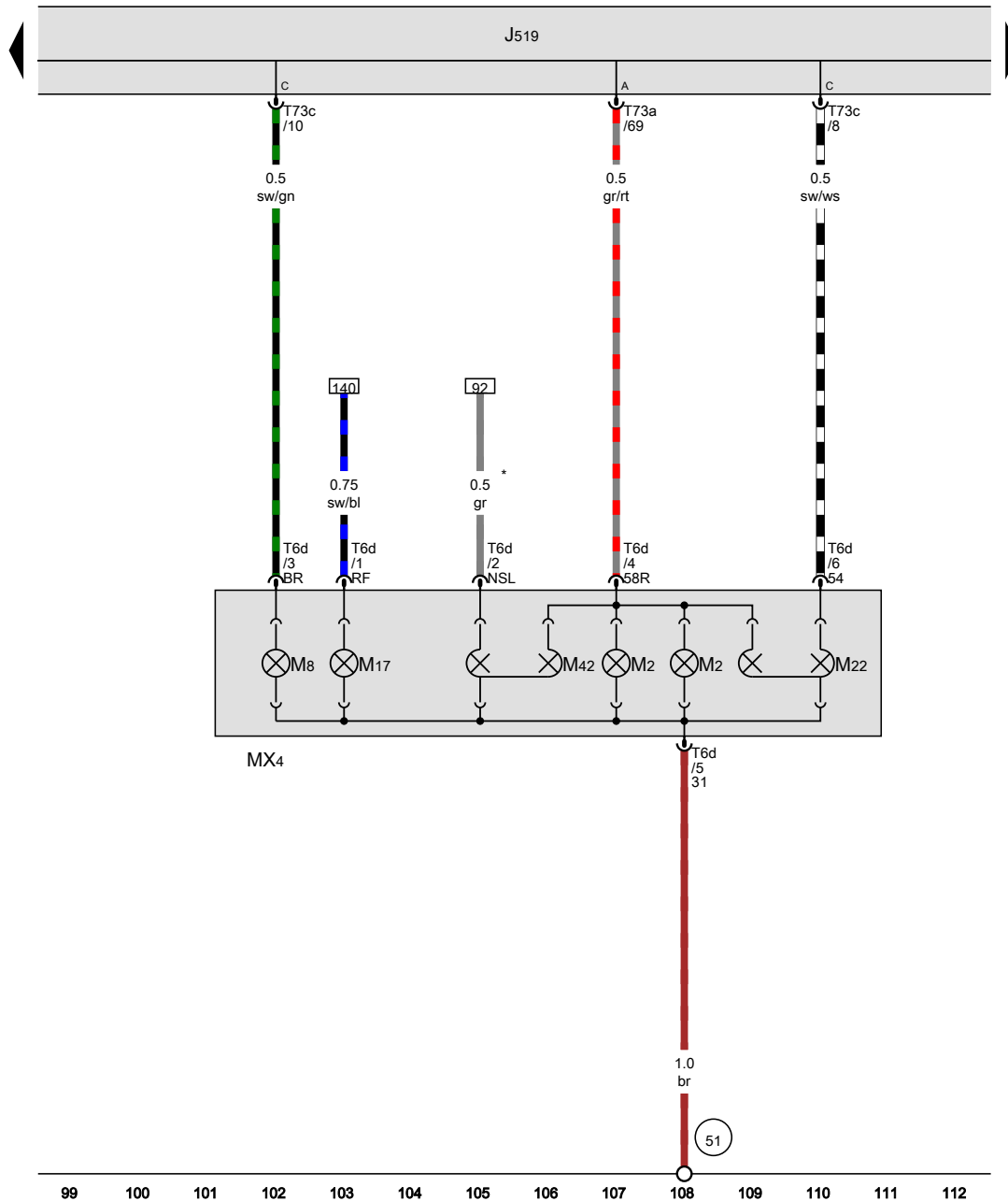
Left tail light

- J519 Onboard supply control unit
- MX3 Left tail light
- M4 Left tail light bulb
- M6 Rear left turn signal bulb
- M16 Left reversing light bulb
- M21 Left brake and tail light bulb
- M41 Left tail light and rear fog light bulb
- T6c 6-pin connector
- T73a 73-pin connector, black
- T73c 73-pin connector, black

- 50 Earth point, on left in luggage compartment
- 386 Earth connection 21, in main wiring harness
- * Only right-hand drive models
- *2 Only left-hand drive models



- ws = white
- sw = black
- ro = red
- rt = red
- br = brown
- gn = green
- bl = blue
- gr = grey
- li = purple
- vi = purple
- ge = yellow
- or = orange
- rs = pink



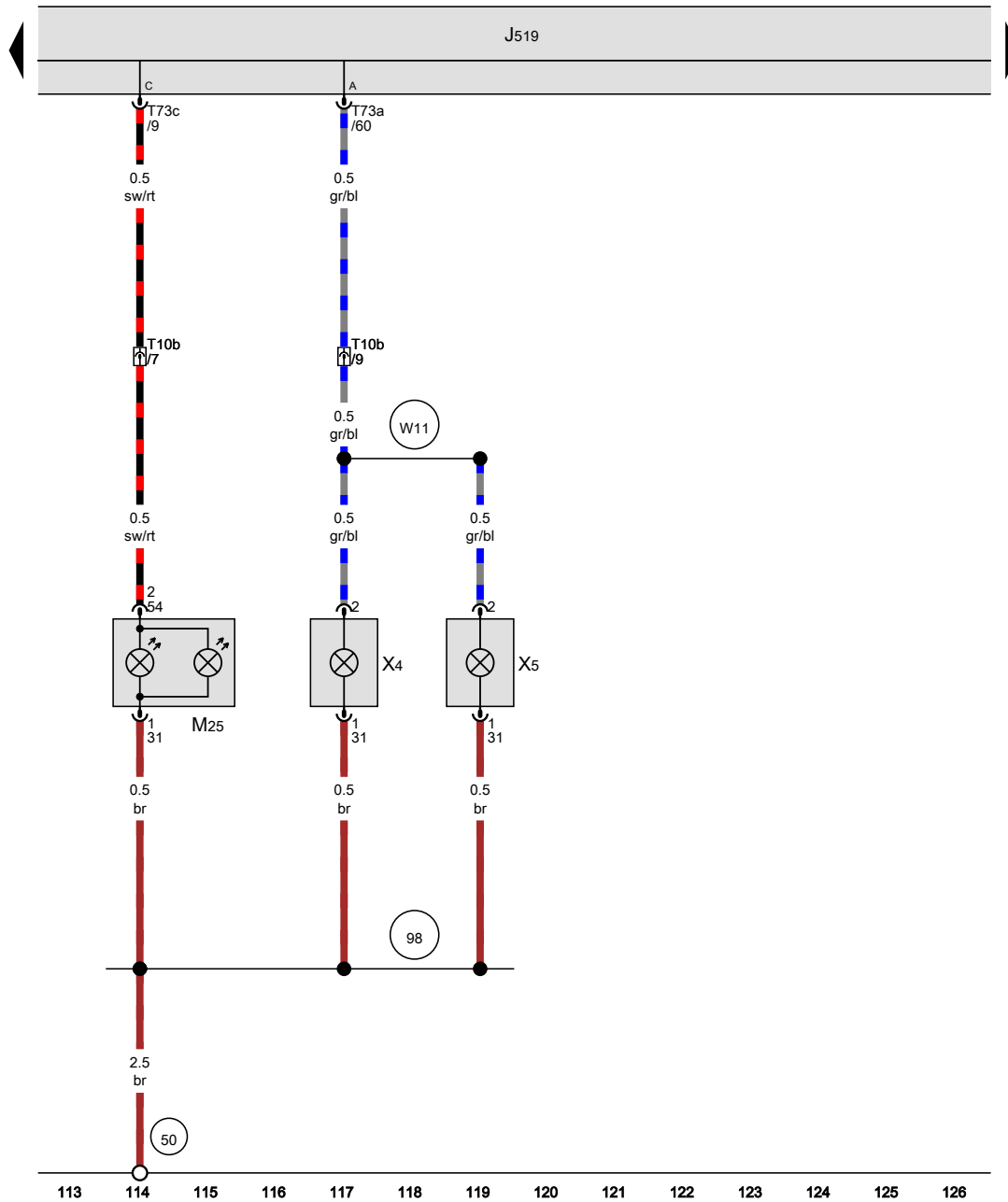
Right tail light

- J519 Onboard supply control unit
- M2 Right tail light bulb
- MX4 Right tail light
- M8 Rear right turn signal bulb
- M17 Right reversing light bulb
- M22 Right brake and tail light bulb
- M42 Right tail light and rear fog light bulb
- T6d 6-pin connector
- T73a 73-pin connector, black
- T73c 73-pin connector, black

51 Earth point, on right in luggage compartment

* Only right-hand drive models

- ws = white
- sw = black
- ro = red
- rt = red
- br = brown
- gn = green
- bl = blue
- gr = grey
- li = purple
- vi = purple
- ge = yellow
- or = orange
- rs = pink



High-level brake light bulb, Left number plate light, Right number plate light

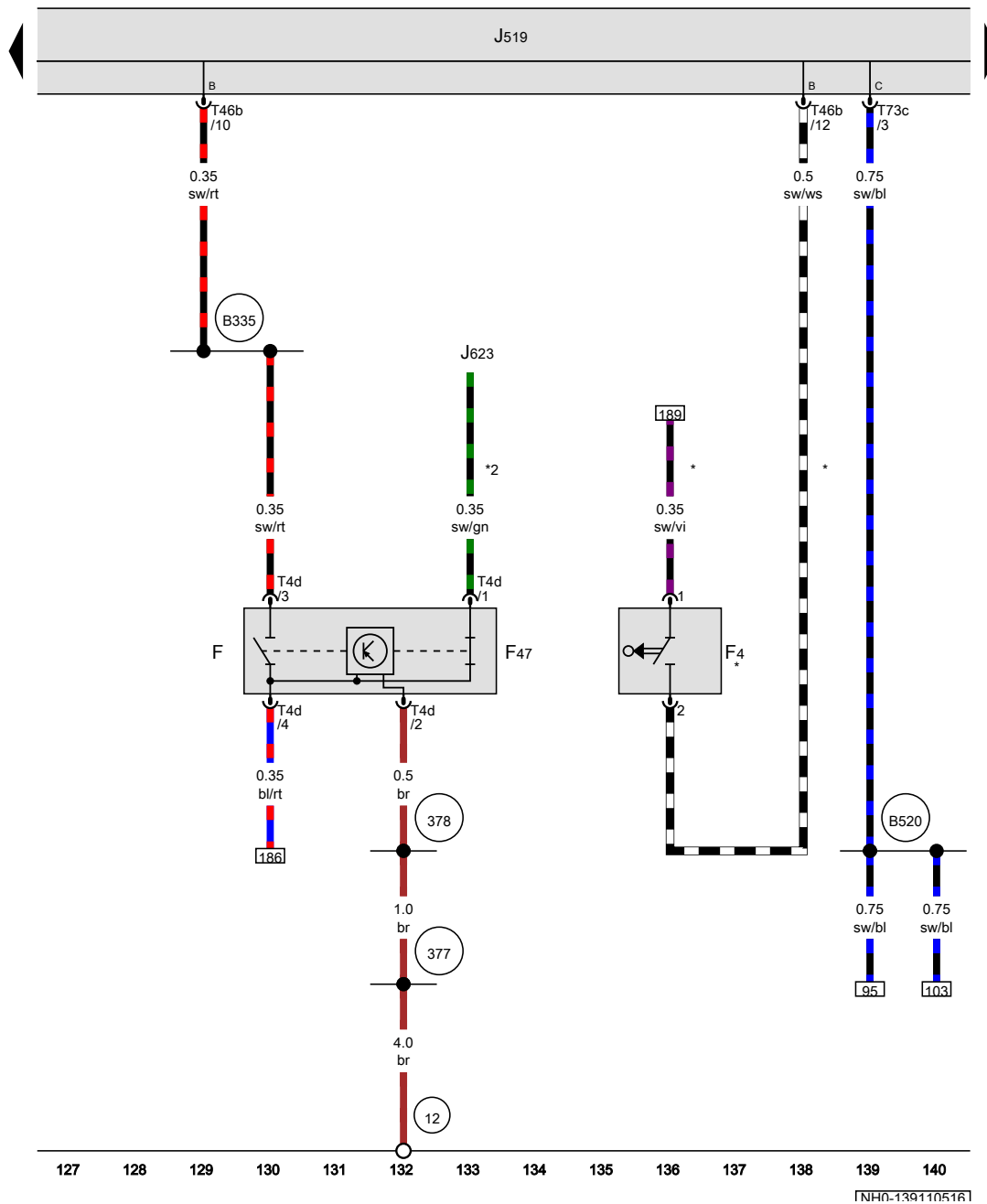
- J519 Onboard supply control unit
- M25 High-level brake light bulb
- T10b 10-pin connector
- T73a 73-pin connector, black
- T73c 73-pin connector, black
- X4 Left number plate light
- X5 Right number plate light

- (50) Earth point, on left in luggage compartment
- (98) Earth connection, in rear lid wiring harness
- (W11) Connection (58), in rear lid wiring harness

- ws = white
- sw = black
- ro = red
- rt = red
- br = brown
- gn = green
- bl = blue
- gr = grey
- li = purple
- vi = purple
- ge = yellow
- or = orange
- rs = pink

[NH0-139100516]

Reversing light switch, Brake pedal switch



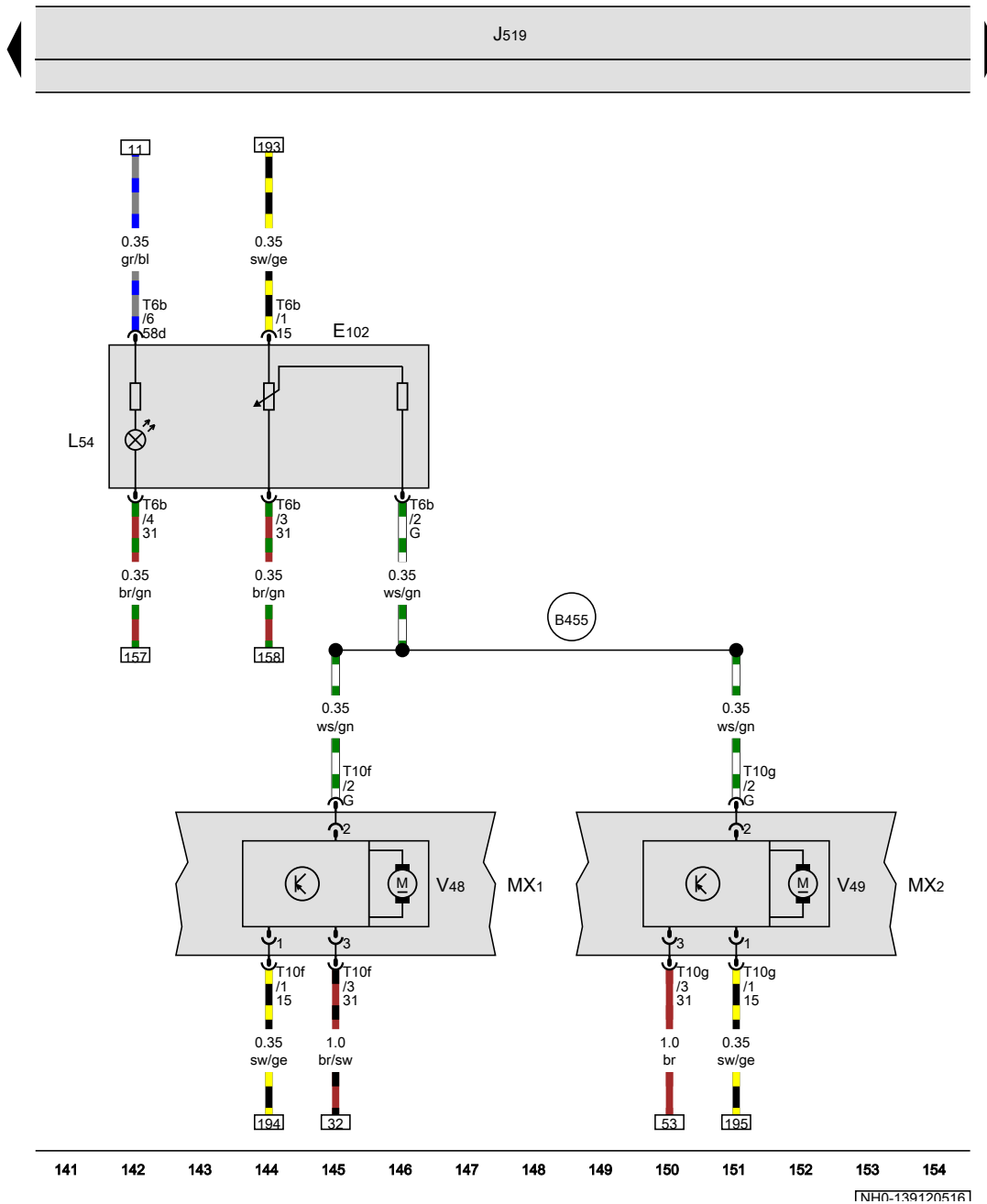
- F Brake light switch
- F4 Reversing light switch
- F47 Brake pedal switch
- J519 Onboard supply control unit
- J623 Engine control unit
- T4d 4-pin connector
- T46b 46-pin connector, brown
- T73c 73-pin connector, black
- 12 Earth point, on left in engine compartment
- 377 Earth connection 12, in main wiring harness
- 378 Earth connection 13, in main wiring harness
- B335 Connection 1 (54), in main wiring harness
- B520 Connection (RL), in main wiring harness
- * Only models with manual gearbox
- *2 see applicable current flow diagram for engine

- ws = white
- sw = black
- ro = red
- rt = red
- br = brown
- gn = green
- bl = blue
- gr = grey
- li = purple
- vi = purple
- ge = yellow
- or = orange
- rs = pink

[NH0-139110516]

Headlight range control regulator, Left headlight range control motor, Right headlight range control motor

- E102 Headlight range control regulator
- J519 Onboard supply control unit
- L54 Headlight range control regulator illumination bulb
- MX1 Front left headlight
- MX2 Front right headlight
- T6b 6-pin connector
- T10f 10-pin connector
- T10g 10-pin connector
- V48 Left headlight range control motor
- V49 Right headlight range control motor
- B455 Connection (HRC), in main wiring harness

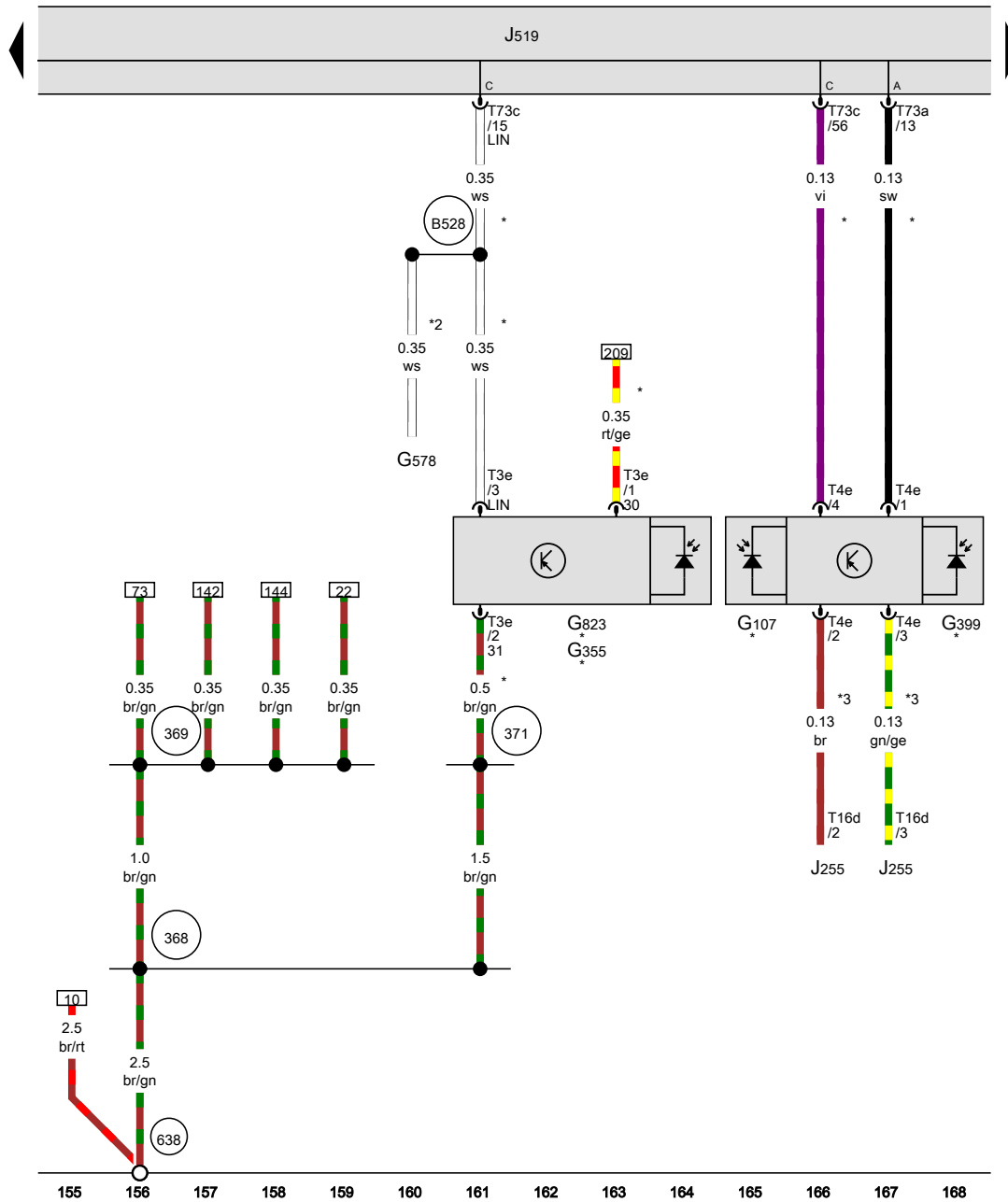


- ws = white
- sw = black
- ro = red
- rt = red
- br = brown
- gn = green
- bl = blue
- gr = grey
- li = purple
- vi = purple
- ge = yellow
- or = orange
- rs = pink

141 142 143 144 145 146 147 148 149 150 151 152 153 154

[NH0-139120516]

Sunlight penetration photosensor, Humidity sender, Light sensor, Air humidity, rain and light sensor

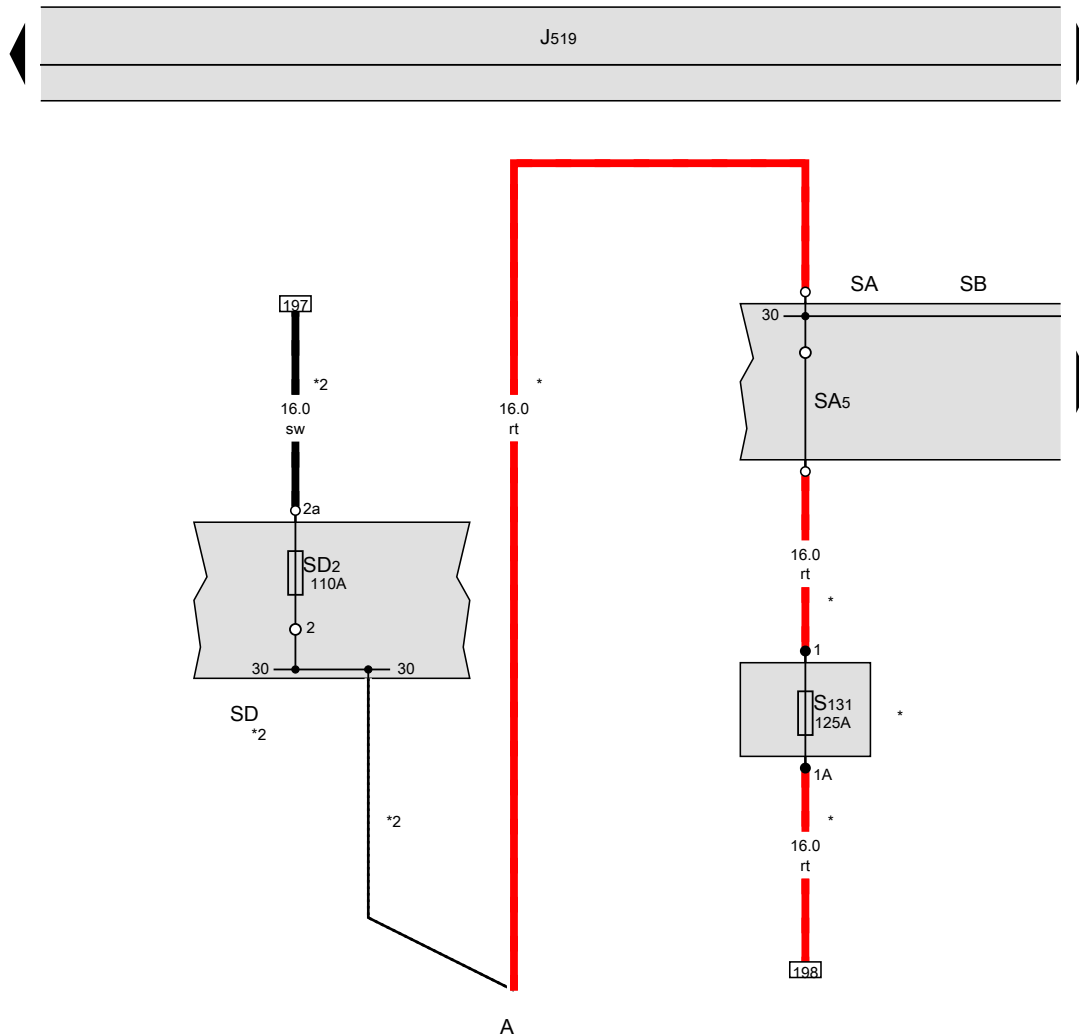


- G107 Sunlight penetration photosensor
- G355 Humidity sender
- G399 Light sensor
- G578 Anti-theft alarm sensor
- G823 Air humidity, rain and light sensor
- J255 Climatronic control unit
- J519 Onboard supply control unit
- T3e 3-pin connector
- T4e 4-pin connector
- T16d 16-pin connector
- T73a 73-pin connector, black
- T73c 73-pin connector, black
- 368 Earth connection 3, in main wiring harness
- 369 Earth connection 4, in main wiring harness
- 371 Earth connection 6, in main wiring harness
- 638 Earth point, on right A-pillar
- B528 Connection 1 (LIN bus) in main wiring harness
- * According to equipment
- *2 For models with anti-theft alarm system
- *3 Only models with Climatronic

- ws = white
- sw = black
- ro = red
- rt = red
- br = brown
- gn = green
- bl = blue
- gr = grey
- li = purple
- vi = purple
- ge = yellow
- or = orange
- rs = pink

[NH0-139130516]

Battery, Fuse holder A, Fuse holder B, Fuse holder D



- A Battery
- J519 Onboard supply control unit
- SD2 Fuse 2 on fuse holder D
- SA5 Fuse 5 in fuse holder A
- S131 Fuse 1, in main wiring harness
- SA Fuse holder A
- SB Fuse holder B
- SD Fuse holder D
- * Only models with battery in engine compartment
- *2 Only models with battery in luggage compartment

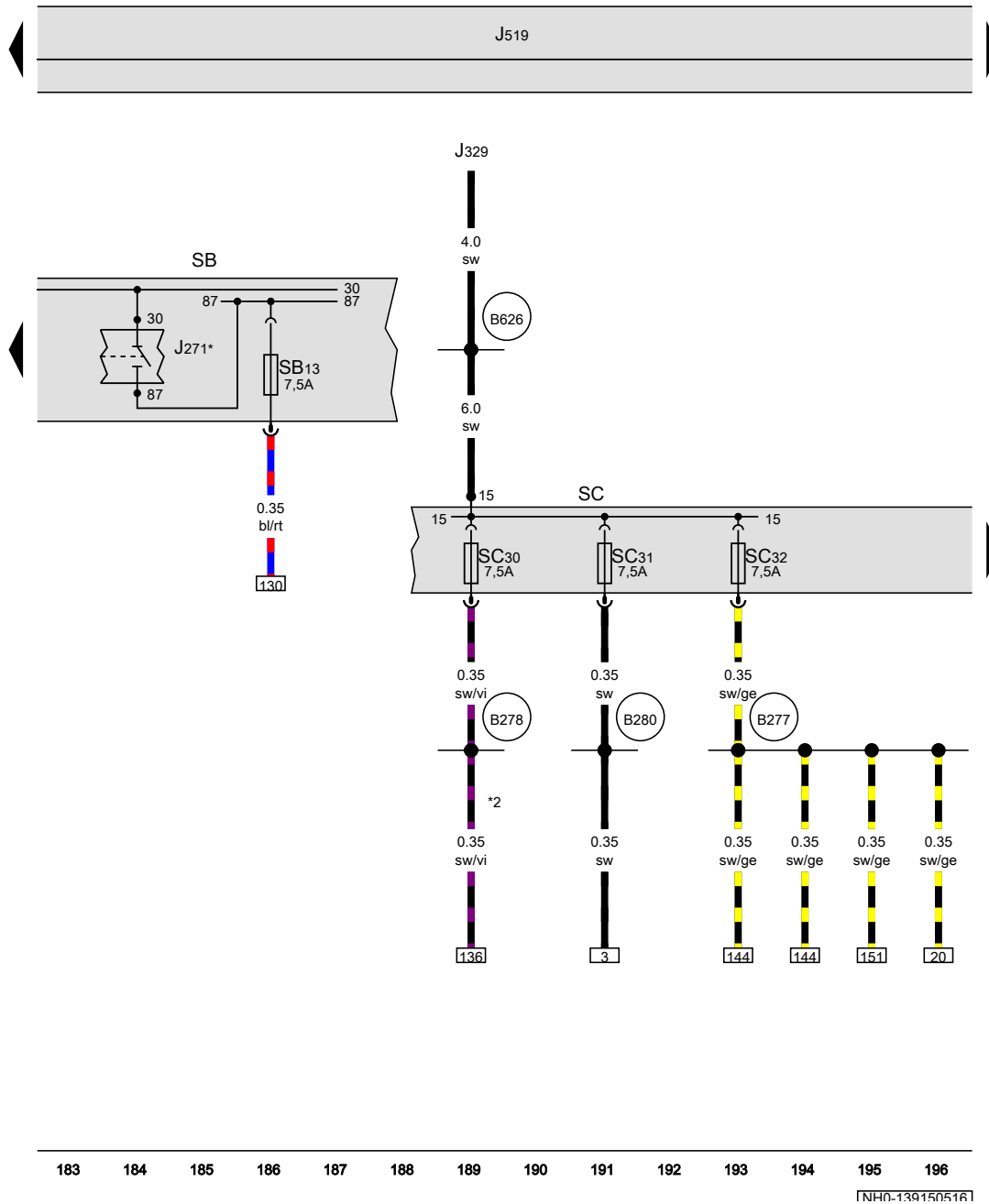
- ws = white
- sw = black
- ro = red
- rt = red
- br = brown
- gn = green
- bl = blue
- gr = grey
- li = purple
- vi = purple
- ge = yellow
- or = orange
- rs = pink

Fuse holder B, Fuse holder C

- J271 Main relay
- J329 Terminal 15 voltage supply relay
- J519 Onboard supply control unit
- SB Fuse holder B
- SB13 Fuse 13 on fuse holder B
- SC Fuse holder C
- SC30 Fuse 30 on fuse holder C
- SC31 Fuse 31 on fuse holder C
- SC32 Fuse 32 on fuse holder C

- (B277) Positive connection 1 (15a) in main wiring harness
- (B278) Positive connection 2 (15a) in main wiring harness
- (B280) Positive connection 4 (15a) in main wiring harness
- (B626) Positive connection 2 (15), in main wiring harness

* see applicable current flow diagram for engine
 *2 Only models with manual gearbox



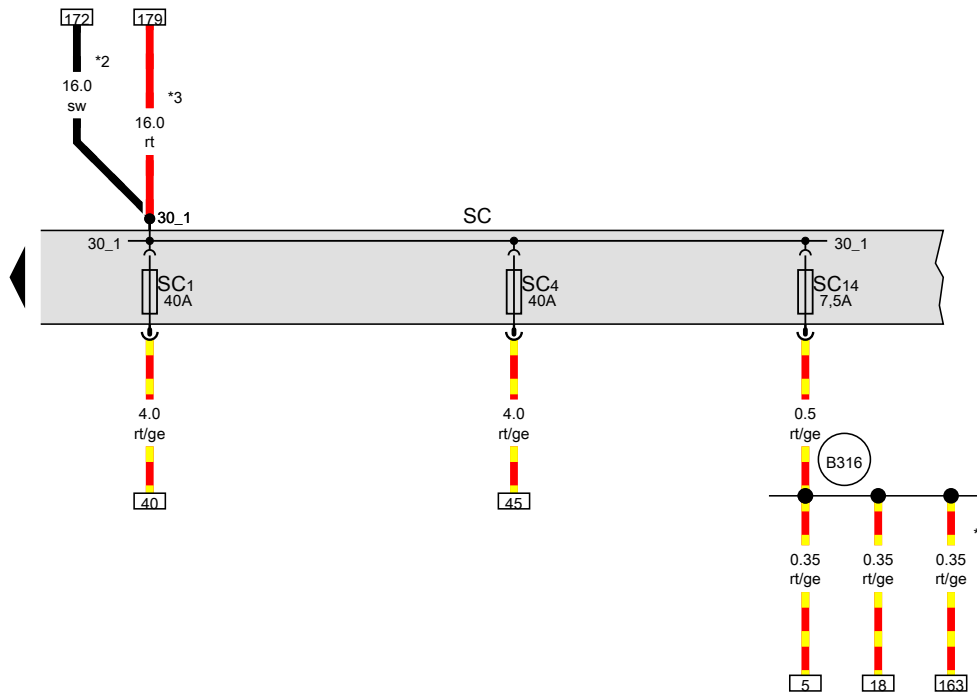
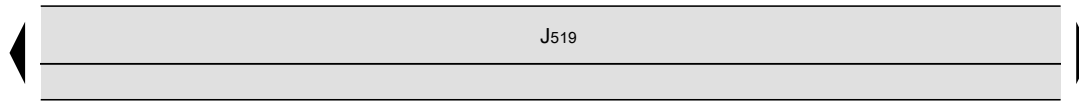
[NH0-139150516]

Fuse holder C

- J519 Onboard supply control unit
- SC Fuse holder C
- SC1 Fuse 1 on fuse holder C
- SC4 Fuse 4 on fuse holder C
- SC14 Fuse 14 on fuse holder C

B316 Positive connection 2 (30a) in main wiring harness

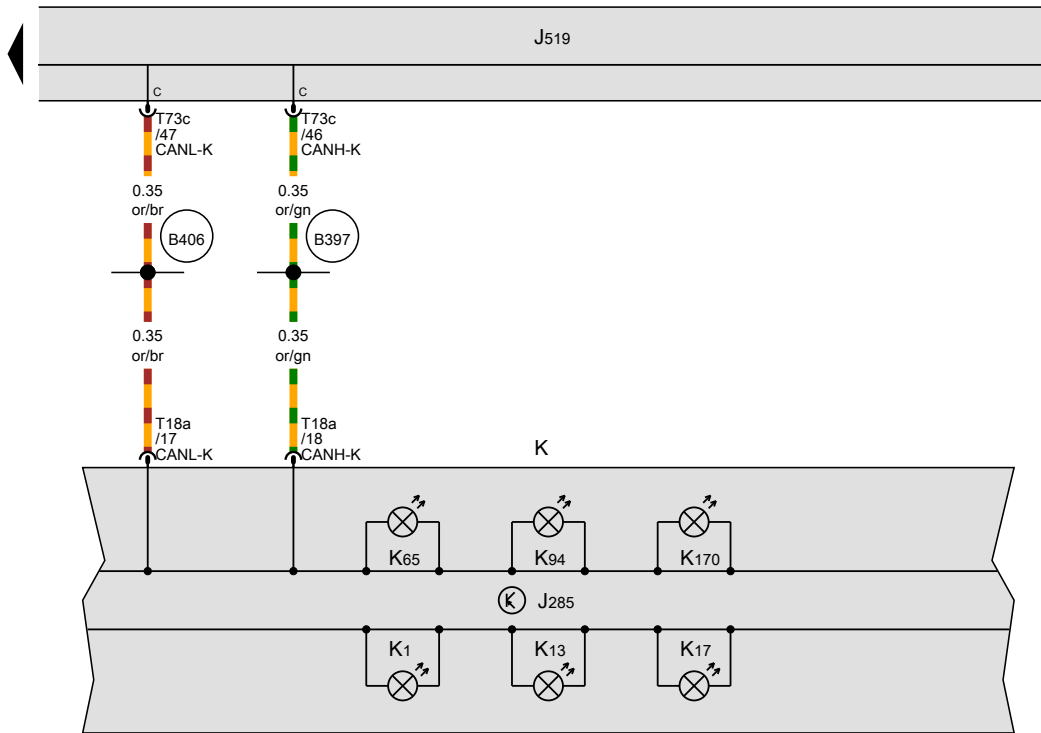
- * According to equipment
- *2 Only models with battery in luggage compartment
- *3 Only models with battery in engine compartment



- ws = white
- sw = black
- ro = red
- rt = red
- br = brown
- gn = green
- bl = blue
- gr = grey
- li = purple
- vi = purple
- ge = yellow
- or = orange
- rs = pink

197 198 199 200 201 202 203 204 205 206 207 208 209 210

[NH0-139160516]



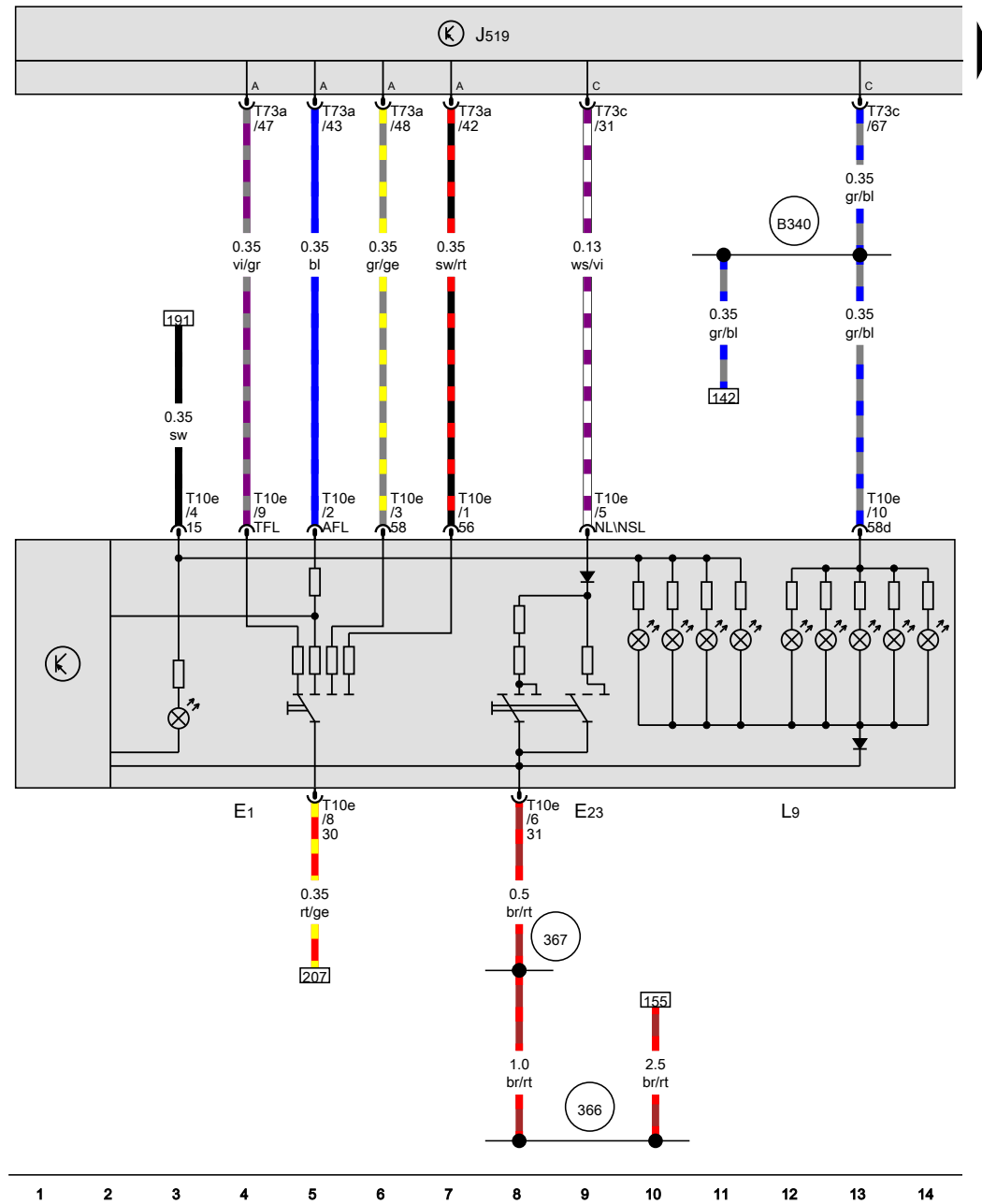
Dash panel insert

- J285 Control unit in dash panel insert
- J519 Onboard supply control unit
- K Dash panel insert
- K1 Main beam warning lamp
- K13 Rear fog light warning lamp
- K17 Fog light warning lamp
- K65 Left turn signal warning lamp
- K94 Right turn signal warning lamp
- K170 Bulb failure warning lamp
- T18a 18-pin connector
- T73c 73-pin connector, black
- B397** Connection 1 (convenience CAN bus, high), in main wiring harness
- B406** Connection 1 (convenience CAN bus, low), in main wiring harness

- ws = white
- sw = black
- ro = red
- rt = red
- br = brown
- gn = green
- bl = blue
- gr = grey
- li = purple
- vi = purple
- ge = yellow
- or = orange
- rs = pink

Exterior lighting , (K8R),(L0L)

From May 2016



Light switch

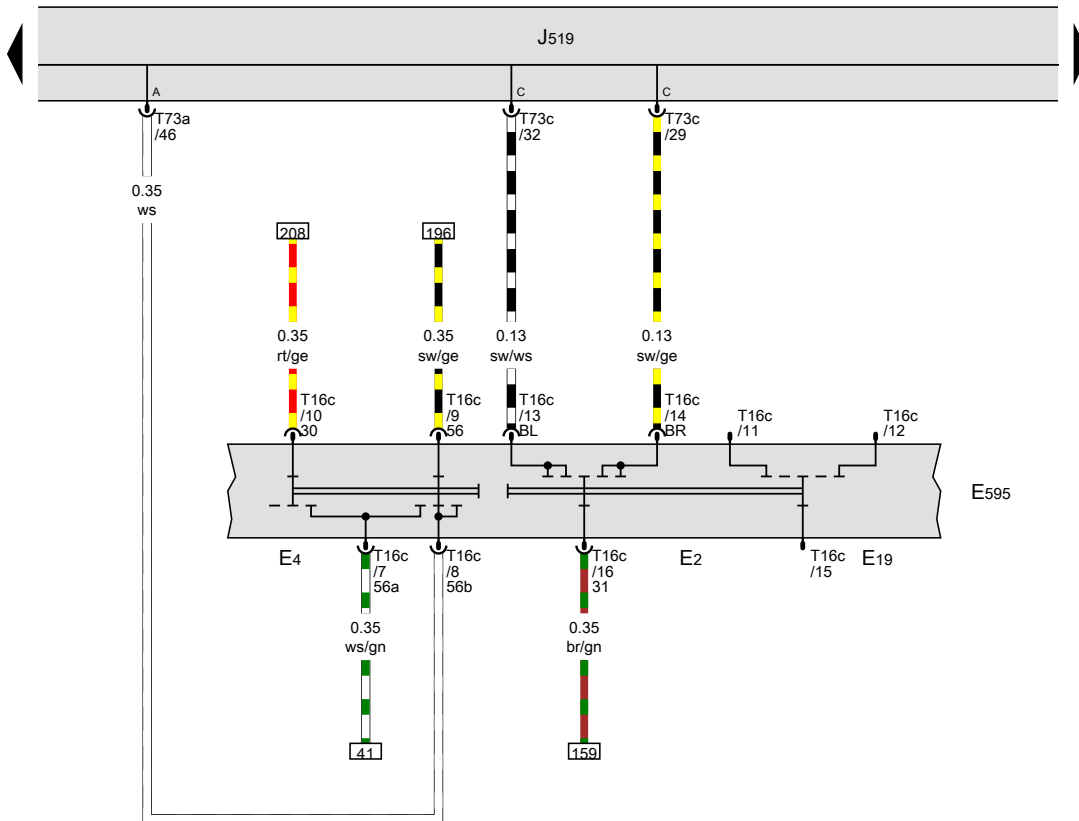
- E1 Light switch
- E23 Front and rear fog light switch
- J519 Onboard supply control unit
- L9 Light switch illumination bulb
- T10e 10-pin connector
- T73a 73-pin connector, black
- T73c 73-pin connector, black
- 366 Earth connection 1, in main wiring harness
- 367 Earth connection 2, in main wiring harness
- B340 Connection 1 (58d), in main wiring harness

- ws = white
- sw = black
- ro = red
- rt = red
- br = brown
- gn = green
- bl = blue
- gr = grey
- li = purple
- vi = purple
- ge = yellow
- or = orange
- rs = pink

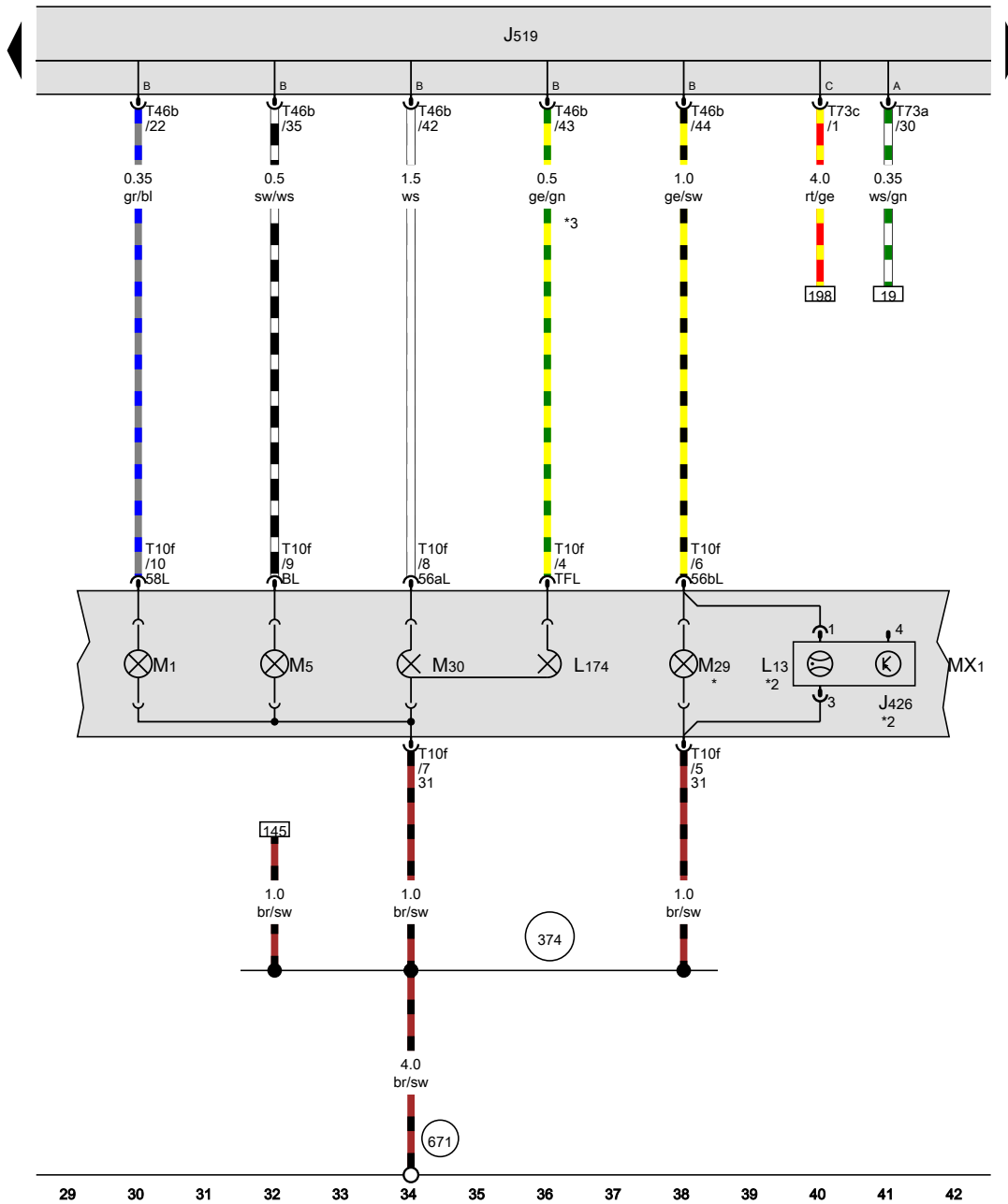
[NH0-140020516]

Turn signal switch, Headlight dipper and flasher switch, Parking light switch, Steering column combination switch

- E2 Turn signal switch
- E4 Headlight dipper and flasher switch
- E19 Parking light switch
- E595 Steering column combination switch
- J519 Onboard supply control unit
- T16c 16-pin connector
- T73a 73-pin connector, black
- T73c 73-pin connector, black



Front left headlight



- J426 Left headlight starter for gas discharge light
- J519 Onboard supply control unit
- L13 Left gas discharge (xenon) bulb
- L174 Left daytime running light bulb
- MX1 Front left headlight
- M1 Left side light bulb
- M5 Front left turn signal bulb
- M29 Left headlight dipped beam bulb
- M30 Left headlight main beam bulb
- T10f 10-pin connector
- T46b 46-pin connector, brown
- T73a 73-pin connector, black
- T73c 73-pin connector, black

- 374 Earth connection 9, in main wiring harness
- 671 Earth point 1, on front of left longitudinal member

- * Only models with halogen headlights
- *2 Only models with xenon headlights
- *3 Only models with daytime running lights

- ws = white
- sw = black
- ro = red
- rt = red
- br = brown
- gn = green
- bl = blue
- gr = grey
- li = purple
- vi = purple
- ge = yellow
- or = orange
- rs = pink

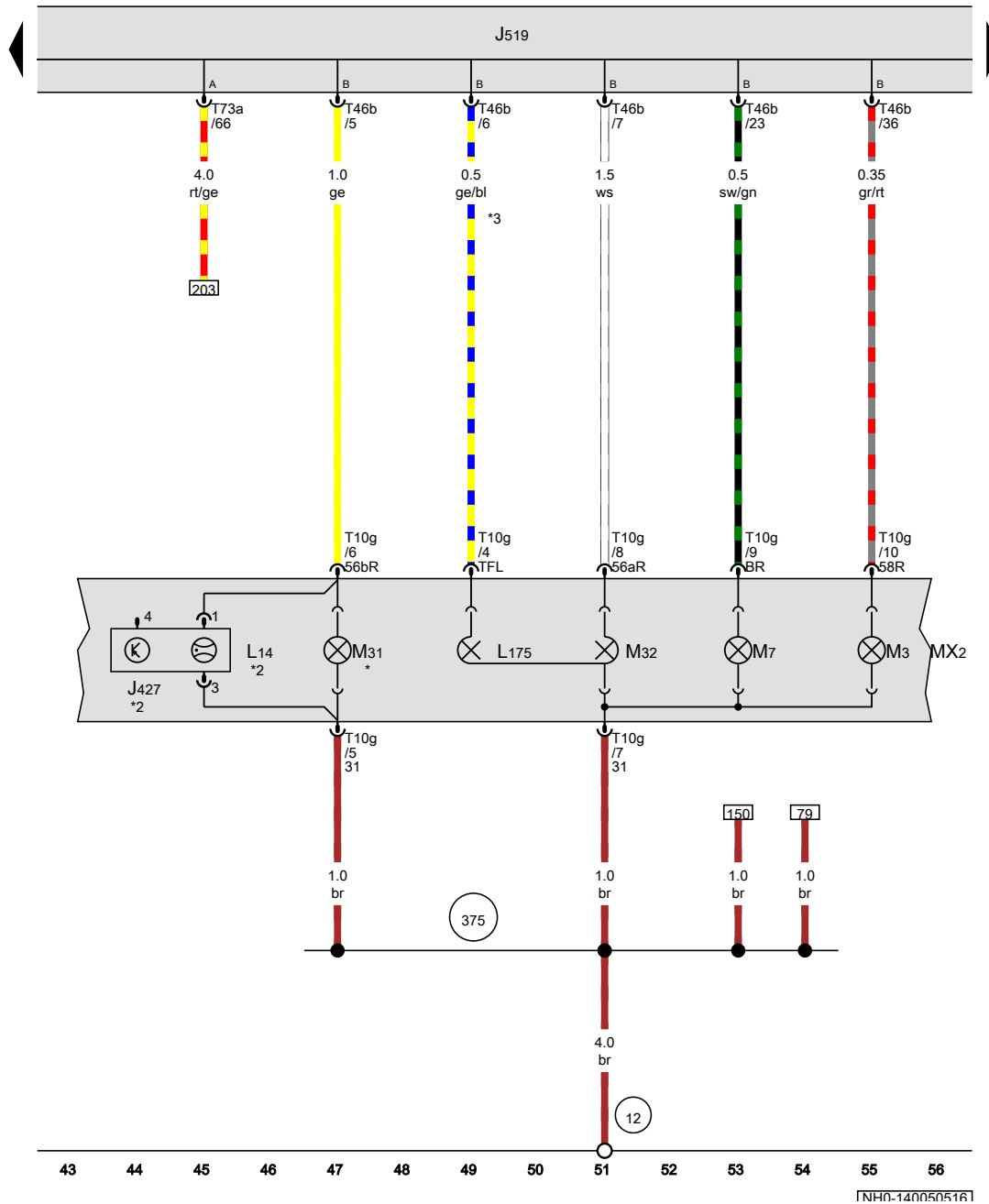
Front right headlight

- J427 Right headlight starter for gas discharge light
- J519 Onboard supply control unit
- L14 Right gas discharge (xenon) bulb
- L175 Right daytime running light bulb
- MX2 Front right headlight
- M3 Right side light bulb
- M7 Front right turn signal bulb
- M31 Right headlight dipped beam bulb
- M32 Right headlight main beam bulb
- T10g 10-pin connector
- T46b 46-pin connector, brown
- T73a 73-pin connector, black

12 Earth point, on left in engine compartment

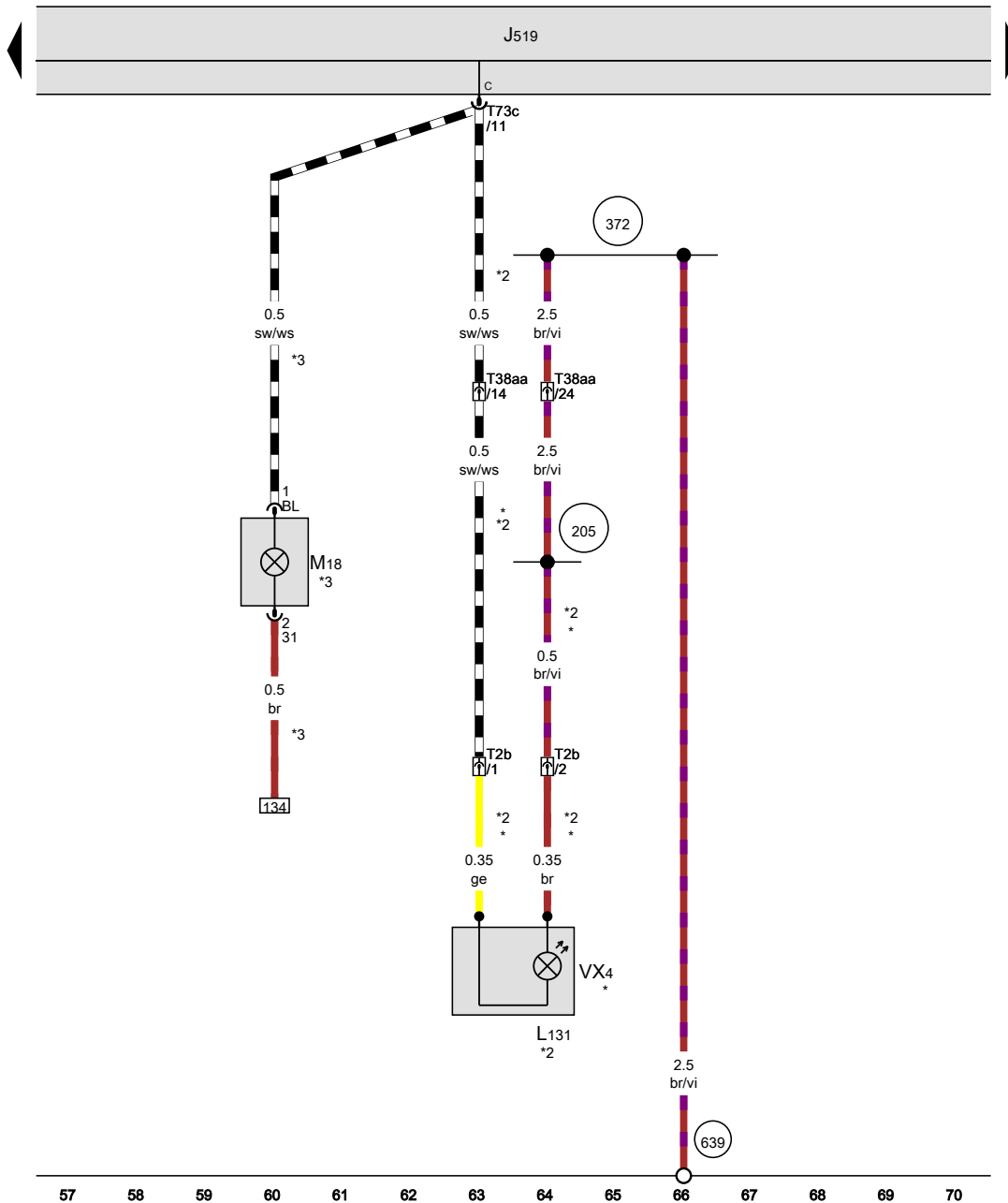
375 Earth connection 10, in main wiring harness

- * Only models with halogen headlights
- *2 Only models with xenon headlights
- *3 Only models with daytime running lights



- ws = white
- sw = black
- ro = red
- rt = red
- br = brown
- gn = green
- bl = blue
- gr = grey
- li = purple
- vi = purple
- ge = yellow
- or = orange
- rs = pink

Left turn signal repeater bulb, Driver side exterior mirror



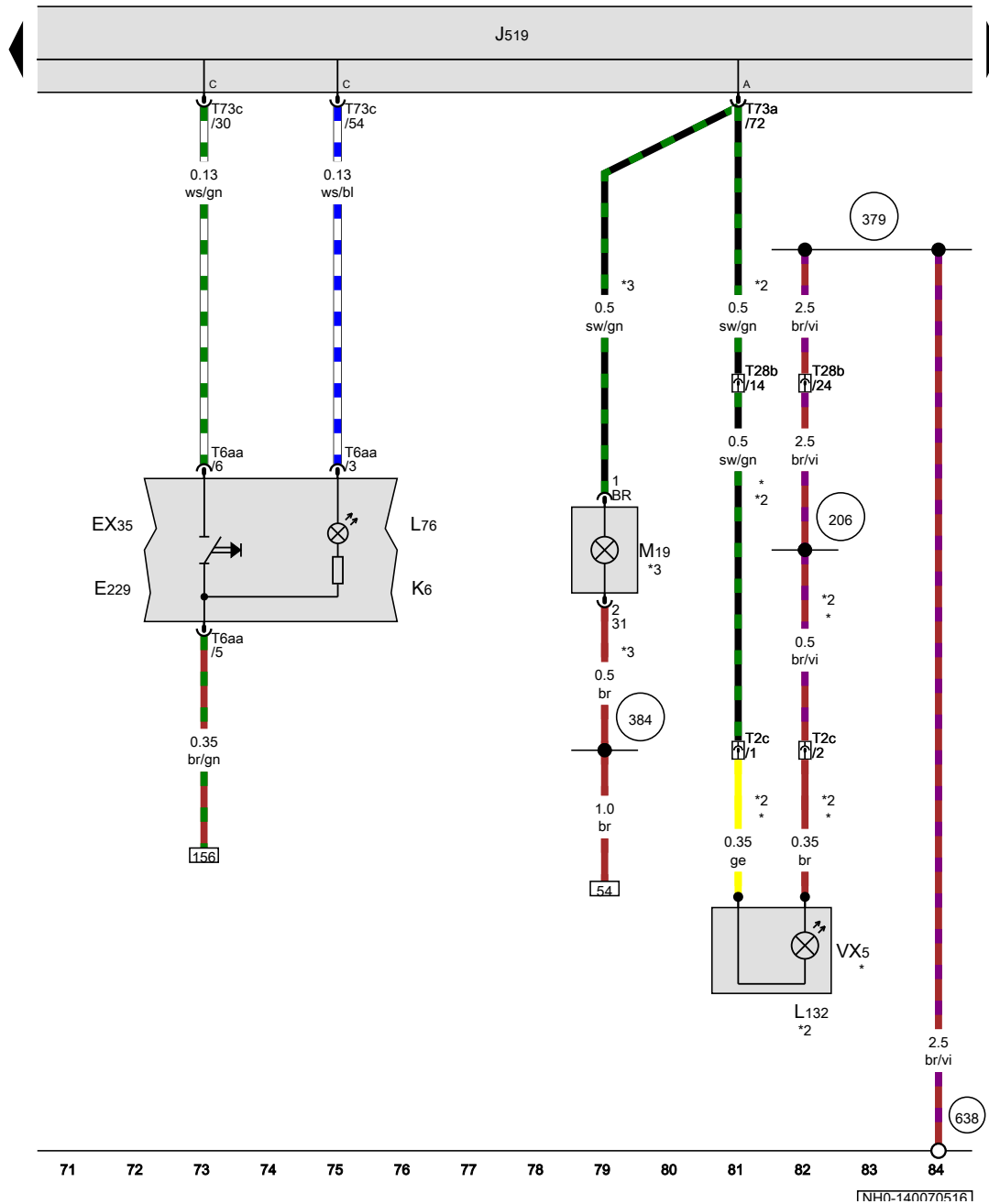
- J519 Onboard supply control unit
- L131 Driver side turn signal repeater bulb
- M18 Left turn signal repeater bulb
- T2b 2-pin connector
- T38aa 38-pin connector, on left A-pillar
- T73c 73-pin connector, black
- VX4 Driver side exterior mirror

- 205 Earth connection, in driver door wiring harness
- 372 Earth connection 7, in main wiring harness
- 639 Earth point, left A-pillar

- * Only models with no electrically adjustable exterior mirrors
- *2 Not for models with equipment for Russia
- *3 Only models with equipment for Russia

- ws = white
- sw = black
- ro = red
- rt = red
- br = brown
- gn = green
- bl = blue
- gr = grey
- li = purple
- vi = purple
- ge = yellow
- or = orange
- rs = pink

[NH0-140060516]



Centre switch module 2 in dash panel, Hazard warning lights button, Right turn signal repeater bulb, Front passenger side exterior mirror

- EX35 Centre switch module 2 in dash panel
 - E229 Hazard warning lights button
 - J519 Onboard supply control unit
 - K6 Indicator lamp for hazard warning light
 - L76 Button illumination bulb
 - L132 Front passenger side turn signal repeater bulb
 - M19 Right turn signal repeater bulb
 - T2c 2-pin connector
 - T6aa 6-pin connector
 - T28b 28-pin connector, on right A-pillar
 - T73a 73-pin connector, black
 - T73c 73-pin connector, black
 - VX5 Front passenger side exterior mirror
- 206 Earth connection, in front passenger door wiring harness
 - 379 Earth connection 14, in main wiring harness
 - 384 Earth connection 19, in main wiring harness
 - 638 Earth point, on right A-pillar
- * Only models with no electrically adjustable exterior mirrors
 - *2 Not for models with equipment for Russia
 - *3 Only models with equipment for Russia

- ws = white
- sw = black
- ro = red
- rt = red
- br = brown
- gn = green
- bl = blue
- gr = grey
- li = purple
- vi = purple
- ge = yellow
- or = orange
- rs = pink

Left tail light

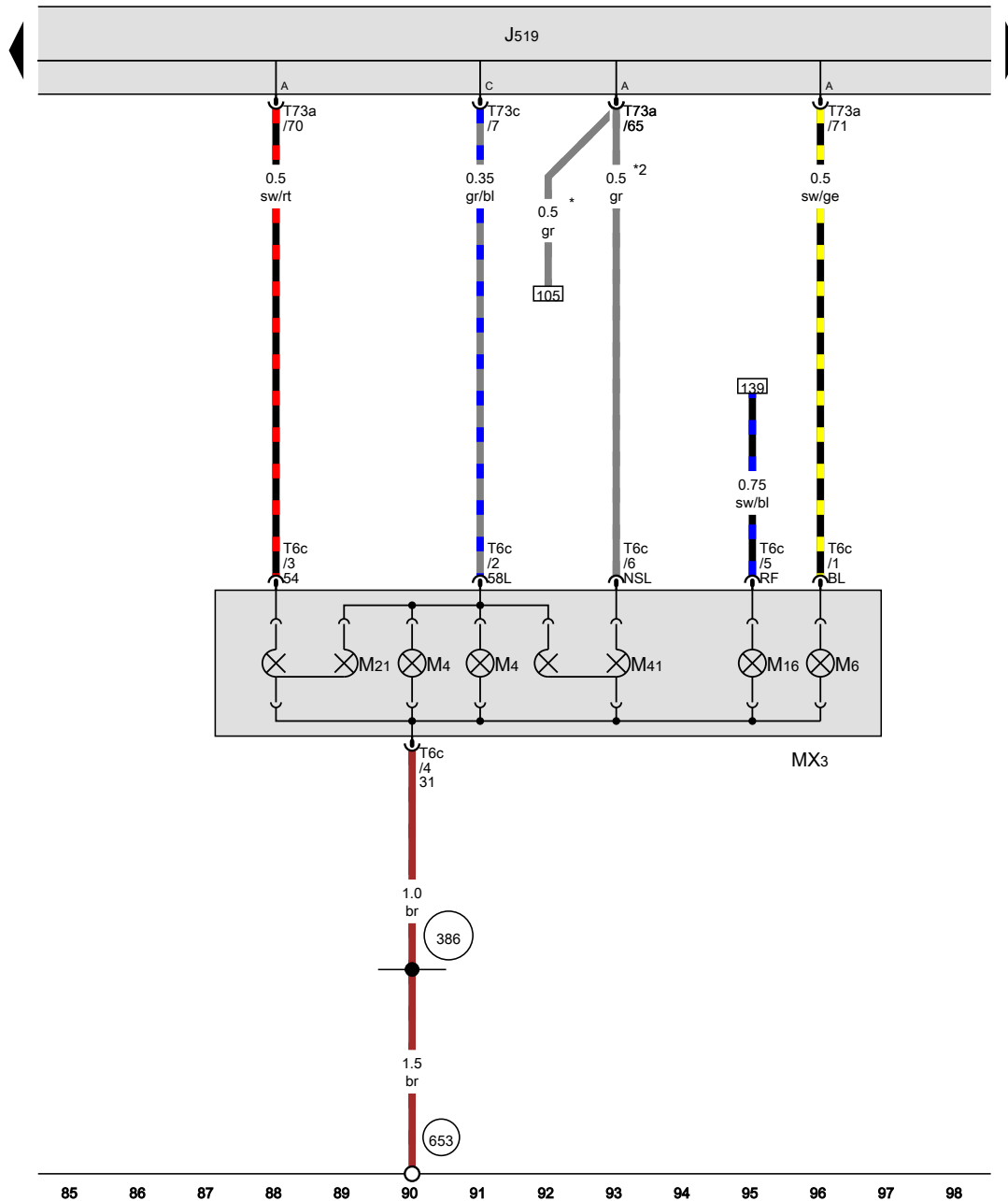
- J519 Onboard supply control unit
- MX3 Left tail light
- M4 Left tail light bulb
- M6 Rear left turn signal bulb
- M16 Left reversing light bulb
- M21 Left brake and tail light bulb
- M41 Left tail light and rear fog light bulb
- T6c 6-pin connector
- T73a 73-pin connector, black
- T73c 73-pin connector, black

386 Earth connection 21, in main wiring harness

653 Earth point, on left D-pillar

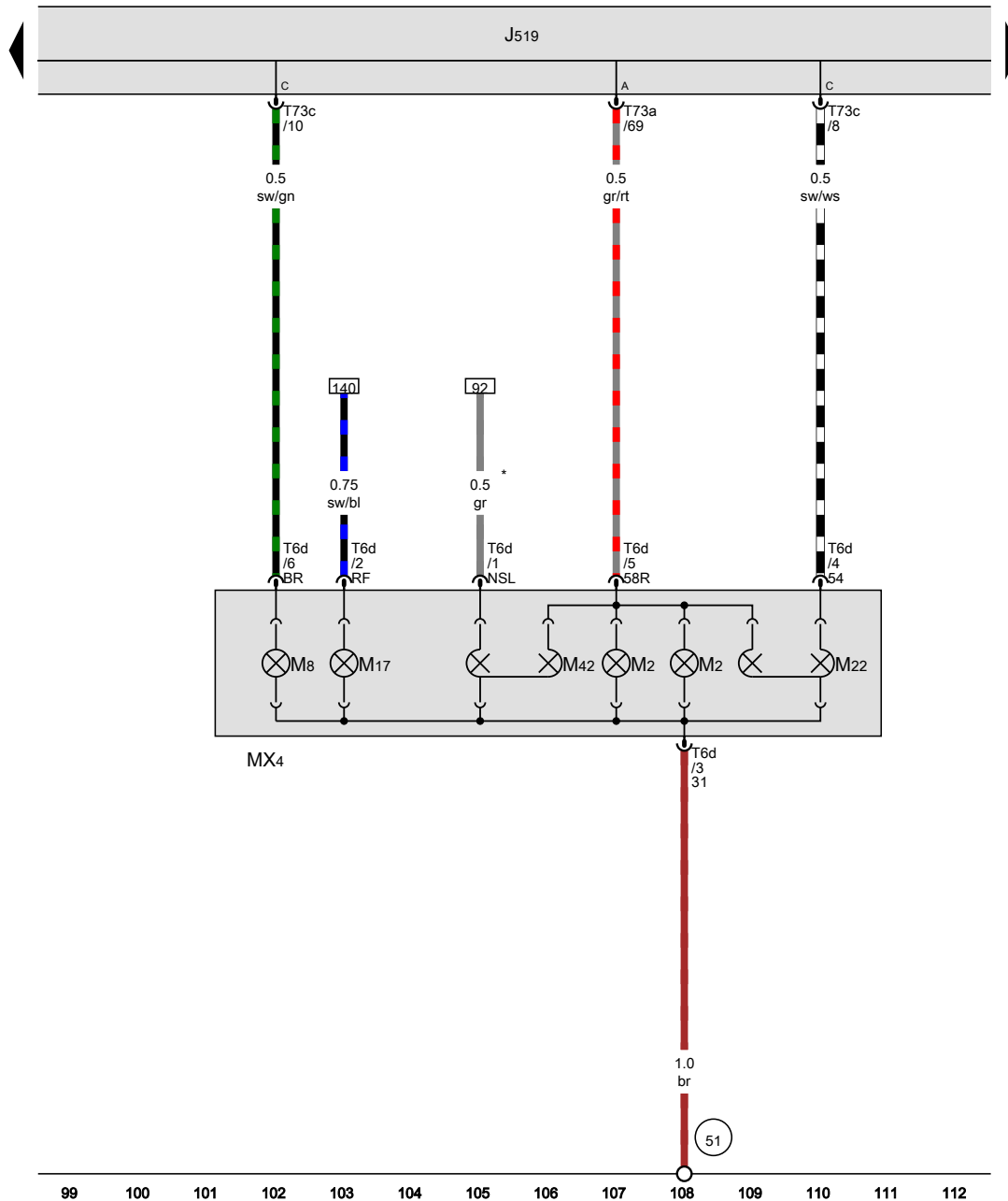
* Only right-hand drive models

*2 Only left-hand drive models



- ws = white
- sw = black
- ro = red
- rt = red
- br = brown
- gn = green
- bl = blue
- gr = grey
- li = purple
- vi = purple
- ge = yellow
- or = orange
- rs = pink

[NH0-140080516]



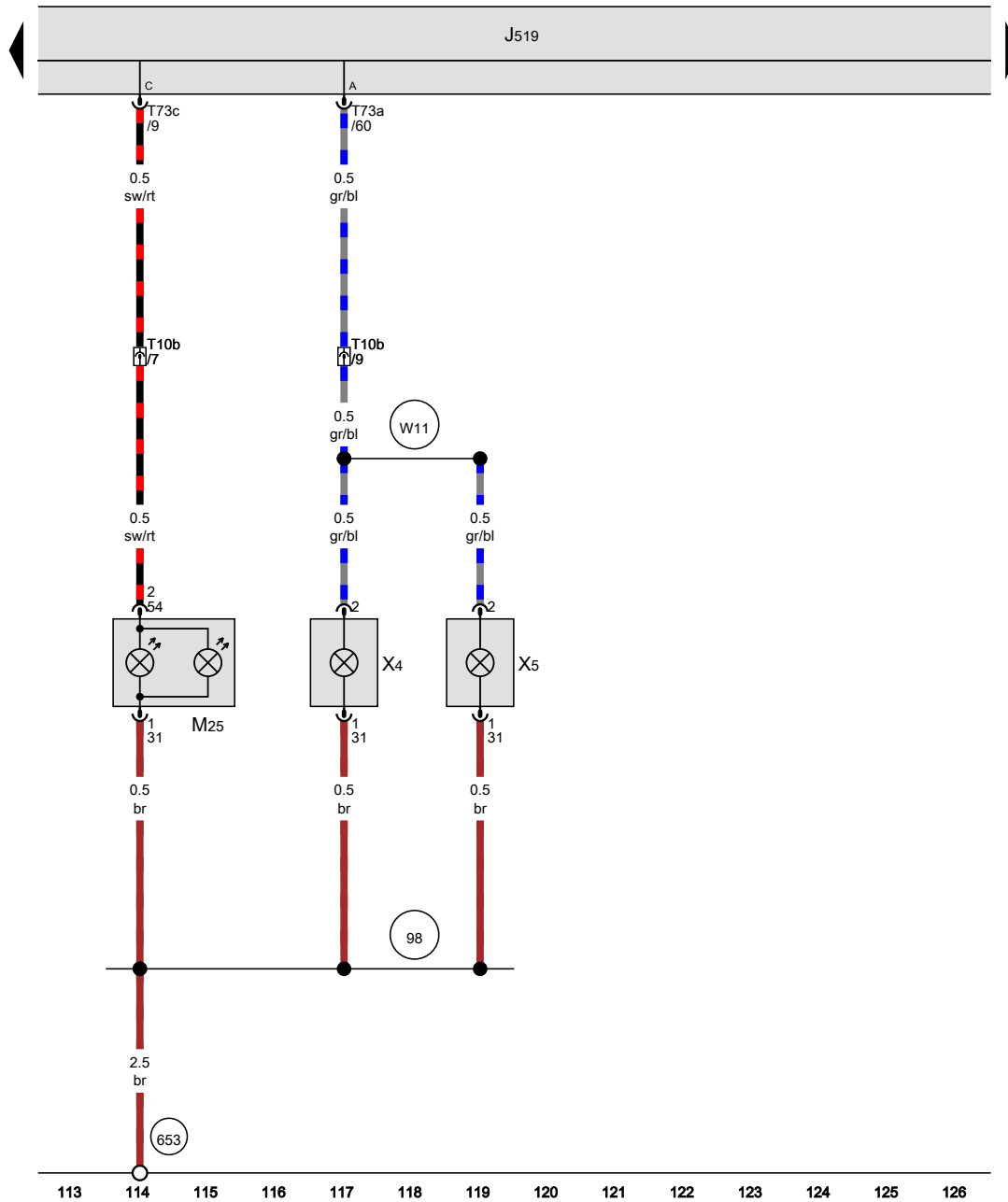
Right tail light

- J519 Onboard supply control unit
- M2 Right tail light bulb
- MX4 Right tail light
- M8 Rear right turn signal bulb
- M17 Right reversing light bulb
- M22 Right brake and tail light bulb
- M42 Right tail light and rear fog light bulb
- T6d 6-pin connector
- T73a 73-pin connector, black
- T73c 73-pin connector, black

51 Earth point, on right in luggage compartment

* Only right-hand drive models

- ws = white
- sw = black
- ro = red
- rt = red
- br = brown
- gn = green
- bl = blue
- gr = grey
- li = purple
- vi = purple
- ge = yellow
- or = orange
- rs = pink



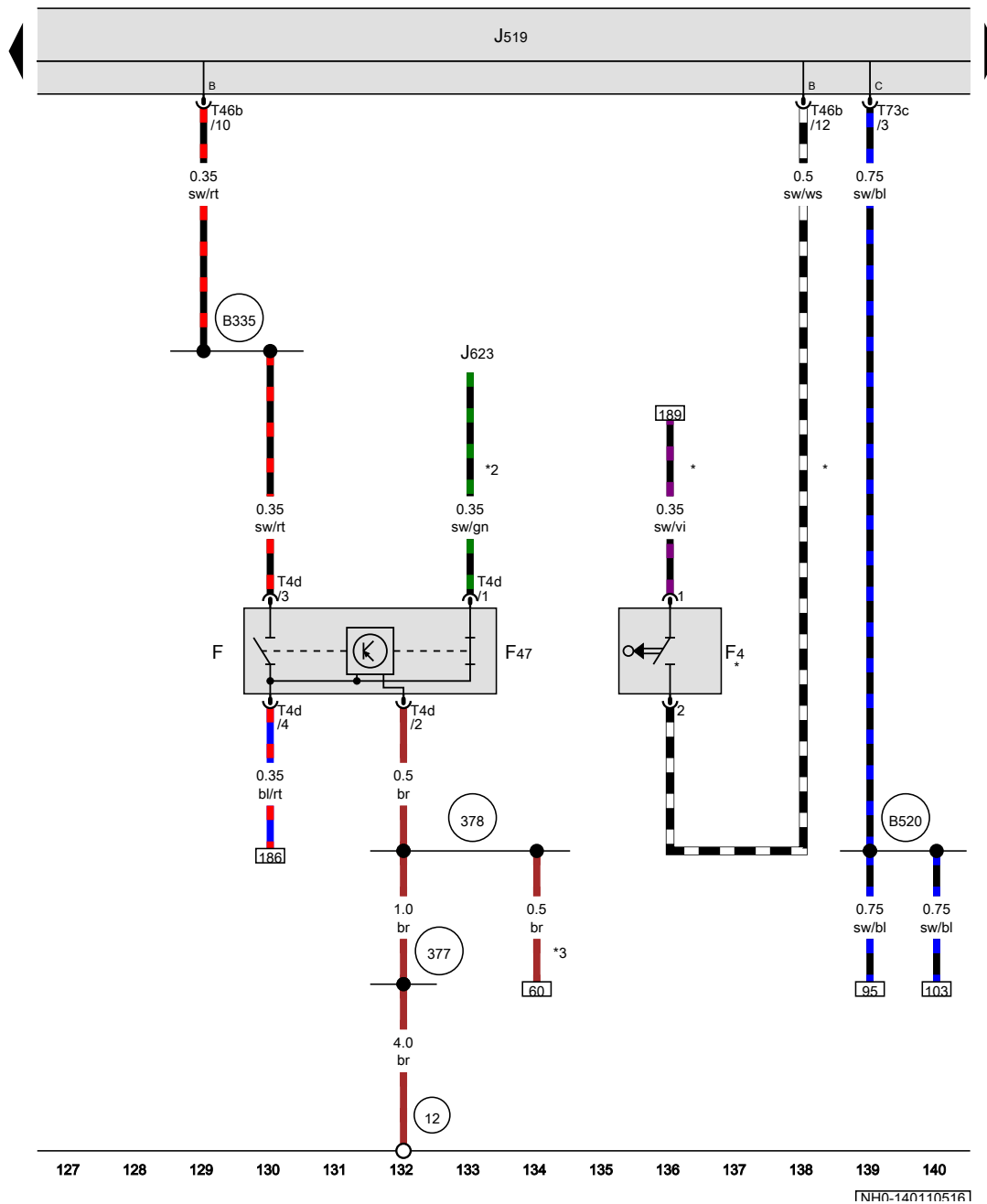
High-level brake light bulb, Left number plate light, Right number plate light

- J519 Onboard supply control unit
- M25 High-level brake light bulb
- T10b 10-pin connector
- T73a 73-pin connector, black
- T73c 73-pin connector, black
- X4 Left number plate light
- X5 Right number plate light

- 98 Earth connection, in rear lid wiring harness
- 653 Earth point, on left D-pillar
- W11 Connection (58), in rear lid wiring harness

- ws = white
- sw = black
- ro = red
- rt = red
- br = brown
- gn = green
- bl = blue
- gr = grey
- li = purple
- vi = purple
- ge = yellow
- or = orange
- rs = pink

Reversing light switch, Brake pedal switch



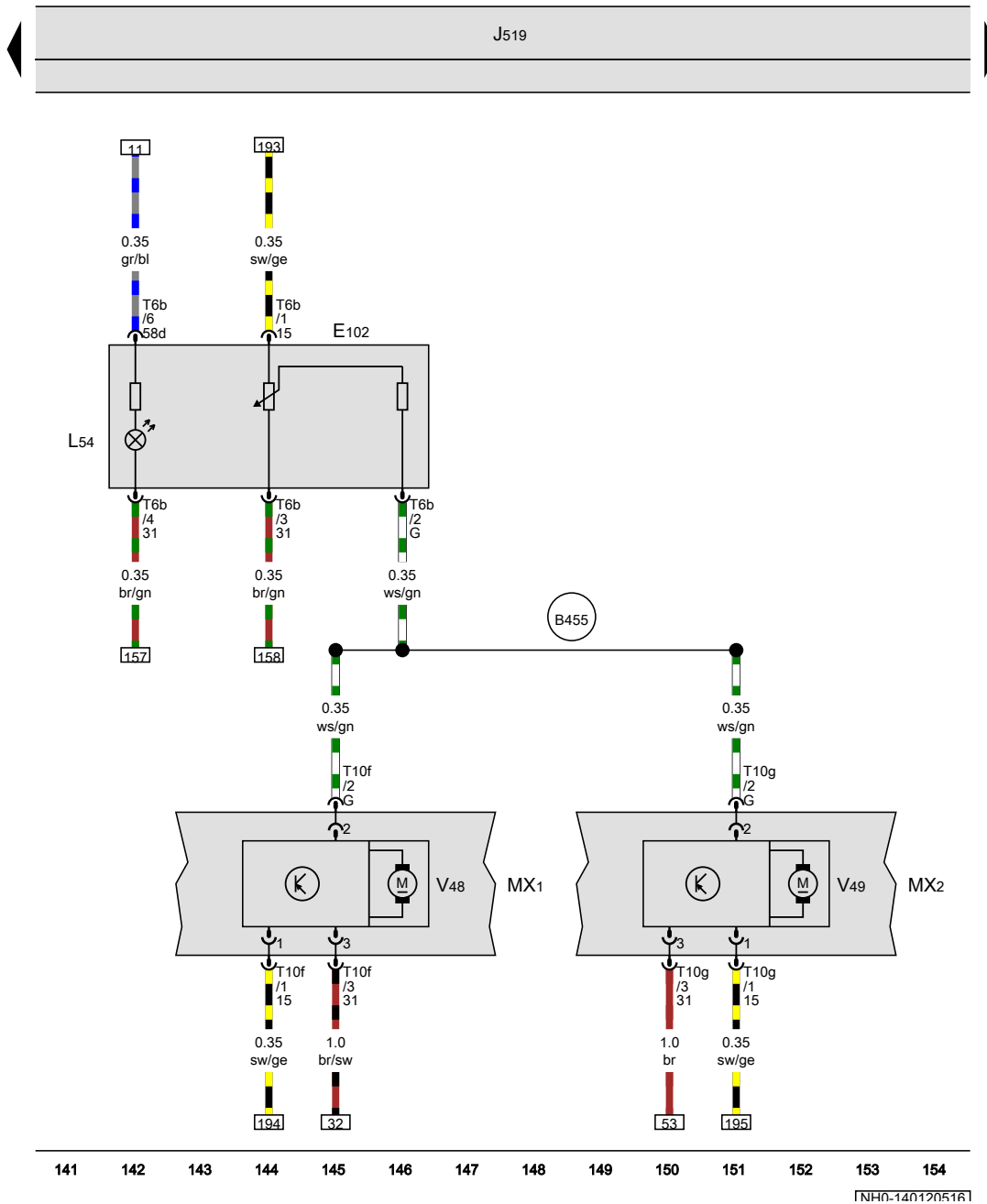
- F Brake light switch
- F4 Reversing light switch
- F47 Brake pedal switch
- J519 Onboard supply control unit
- J623 Engine control unit
- T4d 4-pin connector
- T46b 46-pin connector, brown
- T73c 73-pin connector, black
- 12 Earth point, on left in engine compartment
- 377 Earth connection 12, in main wiring harness
- 378 Earth connection 13, in main wiring harness
- B335 Connection 1 (54), in main wiring harness
- B520 Connection (RL), in main wiring harness
- * Only models with manual gearbox
- *2 see applicable current flow diagram for engine
- *3 Only models with equipment for Russia

ws = white
 sw = black
 ro = red
 rt = red
 br = brown
 gn = green
 bl = blue
 gr = grey
 li = purple
 vi = purple
 ge = yellow
 or = orange
 rs = pink

[NH0-140110516]

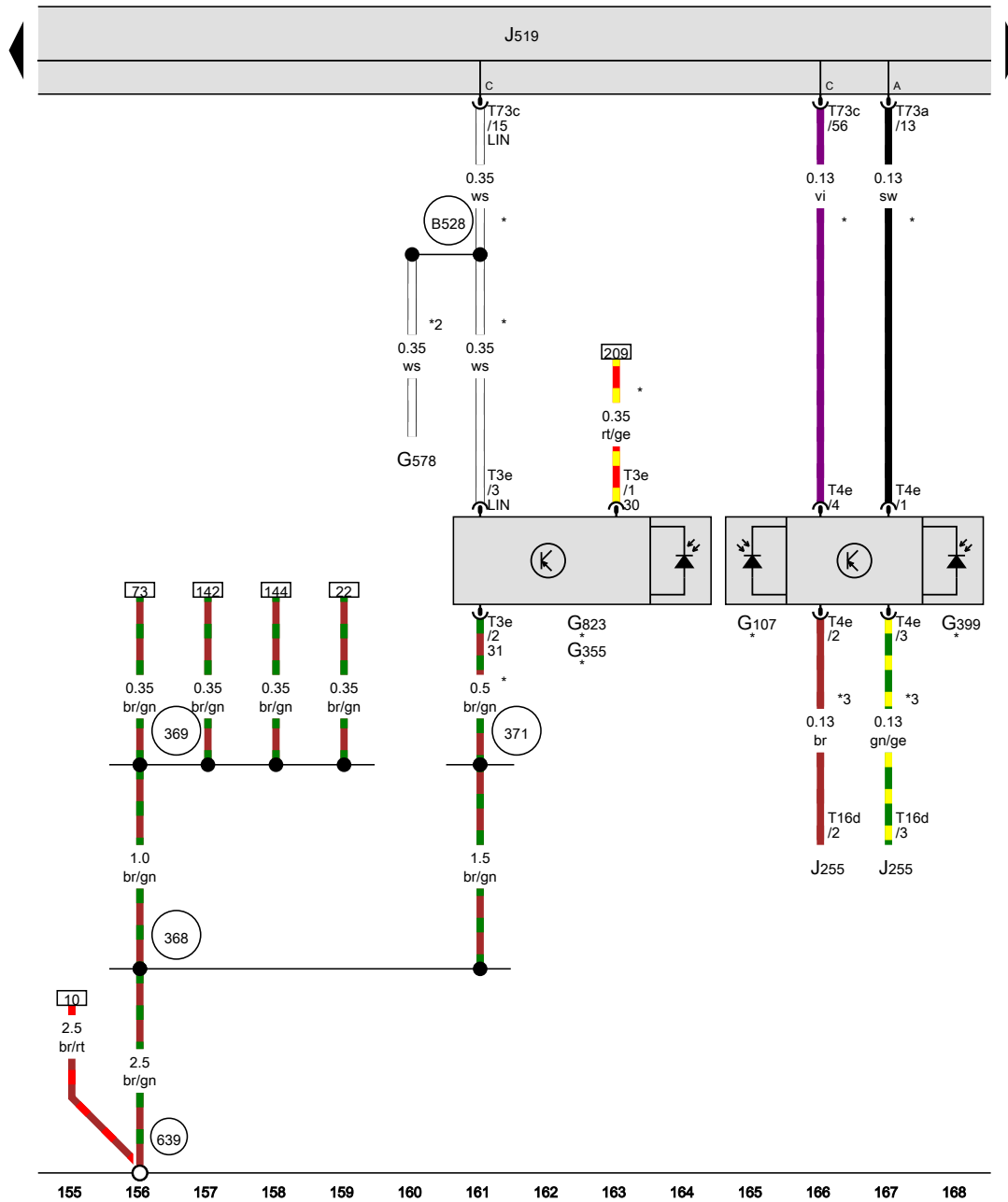
Headlight range control regulator, Left headlight range control motor, Right headlight range control motor

- E102 Headlight range control regulator
- J519 Onboard supply control unit
- L54 Headlight range control regulator illumination bulb
- MX1 Front left headlight
- MX2 Front right headlight
- T6b 6-pin connector
- T10f 10-pin connector
- T10g 10-pin connector
- V48 Left headlight range control motor
- V49 Right headlight range control motor
- B455 Connection (HRC), in main wiring harness



- ws = white
- sw = black
- ro = red
- rt = red
- br = brown
- gn = green
- bl = blue
- gr = grey
- li = purple
- vi = purple
- ge = yellow
- or = orange
- rs = pink

Sunlight penetration photosensor, Humidity sender, Light sensor, Air humidity, rain and light sensor

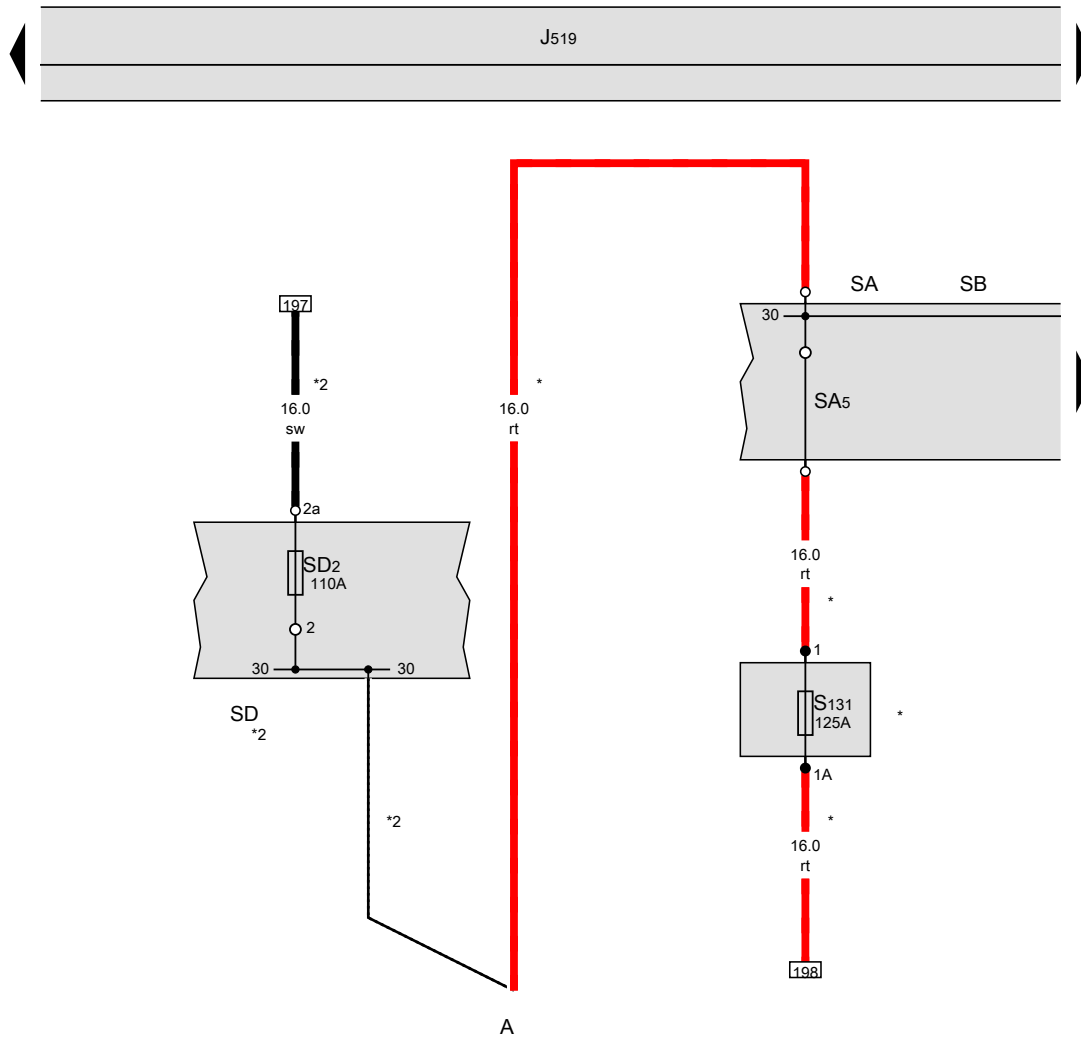


- G107 Sunlight penetration photosensor
- G355 Humidity sender
- G399 Light sensor
- G578 Anti-theft alarm sensor
- G823 Air humidity, rain and light sensor
- J255 Climatronic control unit
- J519 Onboard supply control unit
- T3e 3-pin connector
- T4e 4-pin connector
- T16d 16-pin connector
- T73a 73-pin connector, black
- T73c 73-pin connector, black
- 368 Earth connection 3, in main wiring harness
- 369 Earth connection 4, in main wiring harness
- 371 Earth connection 6, in main wiring harness
- 639 Earth point, left A-pillar
- B528 Connection 1 (LIN bus) in main wiring harness
- * According to equipment
- *2 For models with anti-theft alarm system
- *3 Only models with Climatronic

- ws = white
- sw = black
- ro = red
- rt = red
- br = brown
- gn = green
- bl = blue
- gr = grey
- li = purple
- vi = purple
- ge = yellow
- or = orange
- rs = pink

[NHN-140130516]

Battery, Fuse holder A, Fuse holder B, Fuse holder D



- A Battery
- J519 Onboard supply control unit
- SD2 Fuse 2 on fuse holder D
- SA5 Fuse 5 in fuse holder A
- S131 Fuse 1, in main wiring harness
- SA Fuse holder A
- SB Fuse holder B
- SD Fuse holder D
- * Only models with battery in engine compartment
- *2 Only models with battery in luggage compartment

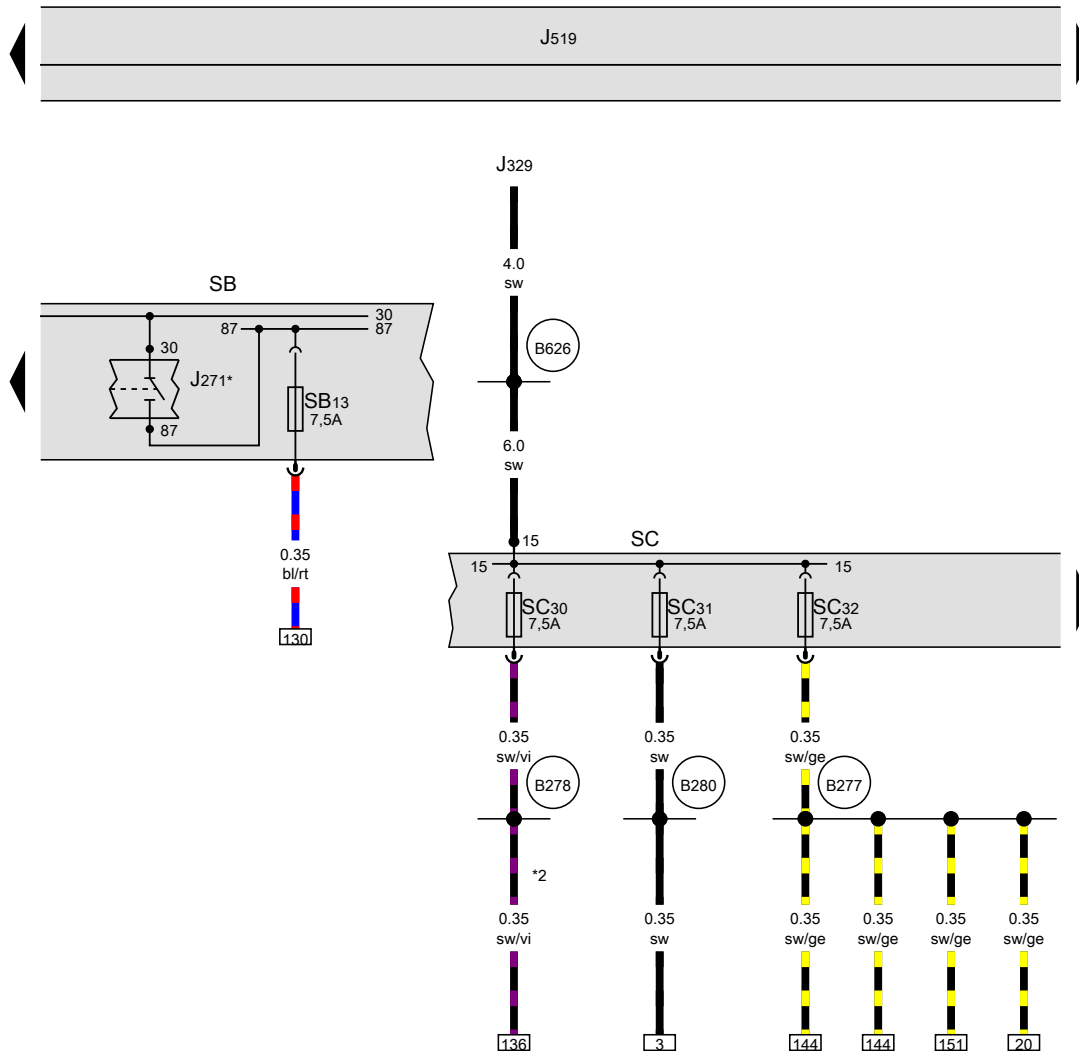
- ws = white
- sw = black
- ro = red
- rt = red
- br = brown
- gn = green
- bl = blue
- gr = grey
- li = purple
- vi = purple
- ge = yellow
- or = orange
- rs = pink

Fuse holder B, Fuse holder C

- J271 Main relay
- J329 Terminal 15 voltage supply relay
- J519 Onboard supply control unit
- SB Fuse holder B
- SB13 Fuse 13 on fuse holder B
- SC Fuse holder C
- SC30 Fuse 30 on fuse holder C
- SC31 Fuse 31 on fuse holder C
- SC32 Fuse 32 on fuse holder C

- (B277) Positive connection 1 (15a) in main wiring harness
- (B278) Positive connection 2 (15a) in main wiring harness
- (B280) Positive connection 4 (15a) in main wiring harness
- (B626) Positive connection 2 (15), in main wiring harness

* see applicable current flow diagram for engine
 *2 Only models with manual gearbox



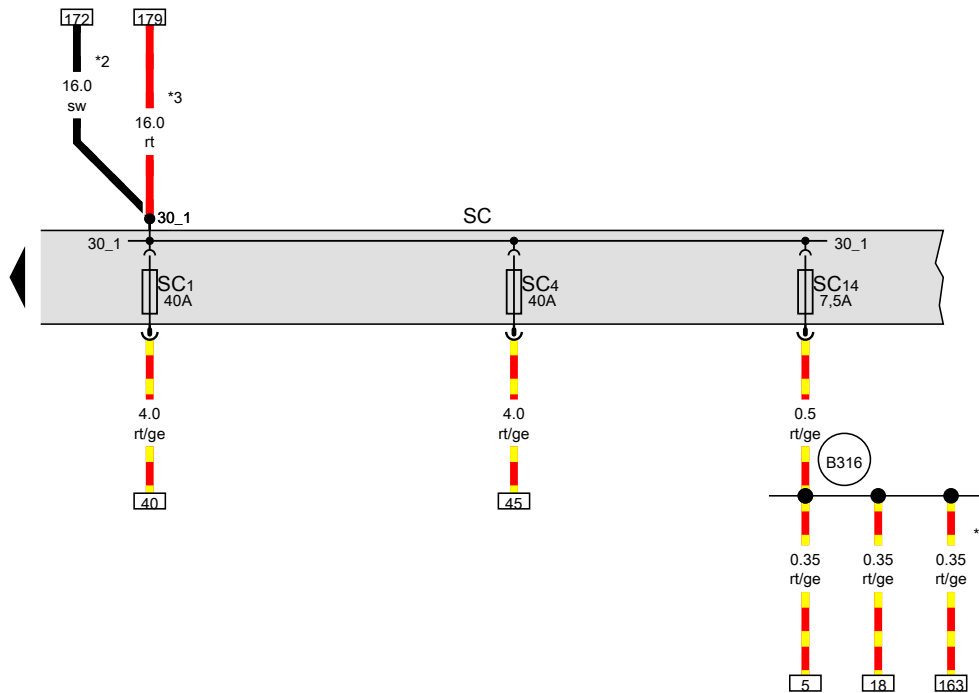
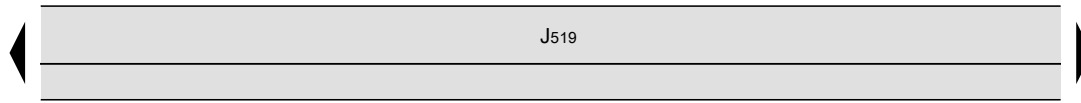
ws = white
 sw = black
 ro = red
 rt = red
 br = brown
 gn = green
 bl = blue
 gr = grey
 li = purple
 vi = purple
 ge = yellow
 or = orange
 rs = pink

Fuse holder C

- J519 Onboard supply control unit
- SC Fuse holder C
- SC1 Fuse 1 on fuse holder C
- SC4 Fuse 4 on fuse holder C
- SC14 Fuse 14 on fuse holder C

B316 Positive connection 2 (30a) in main wiring harness

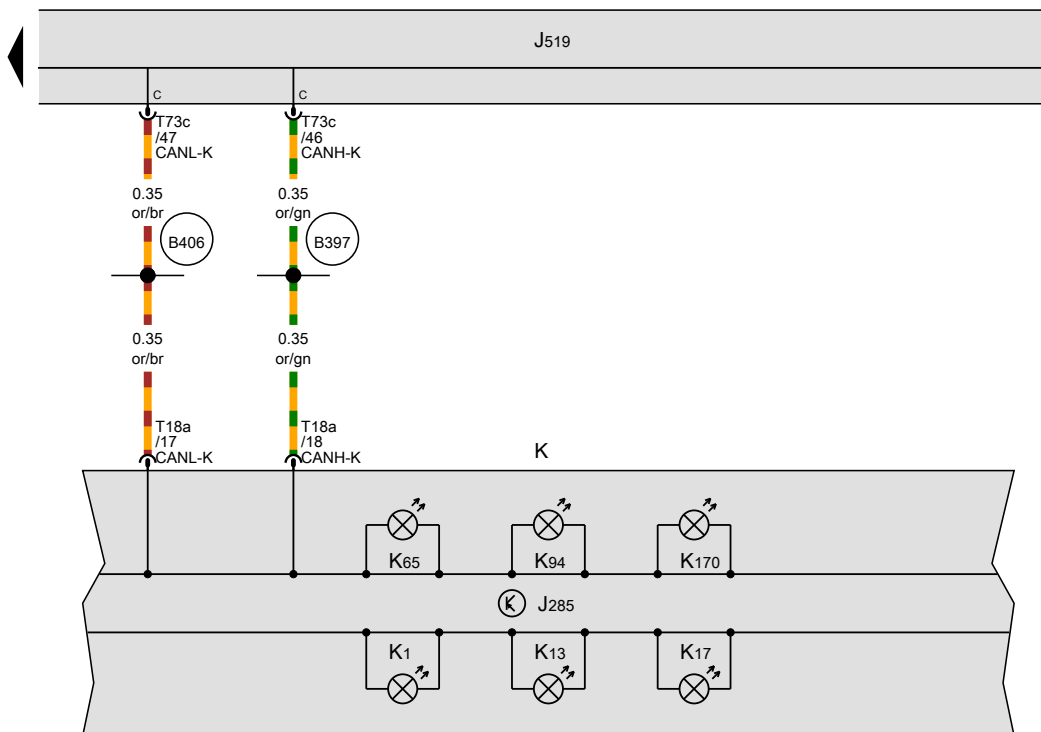
- * According to equipment
- *2 Only models with battery in luggage compartment
- *3 Only models with battery in engine compartment



- ws = white
- sw = black
- ro = red
- rt = red
- br = brown
- gn = green
- bl = blue
- gr = grey
- li = purple
- vi = purple
- ge = yellow
- or = orange
- rs = pink

197 198 199 200 201 202 203 204 205 206 207 208 209 210

[NH0-140160516]



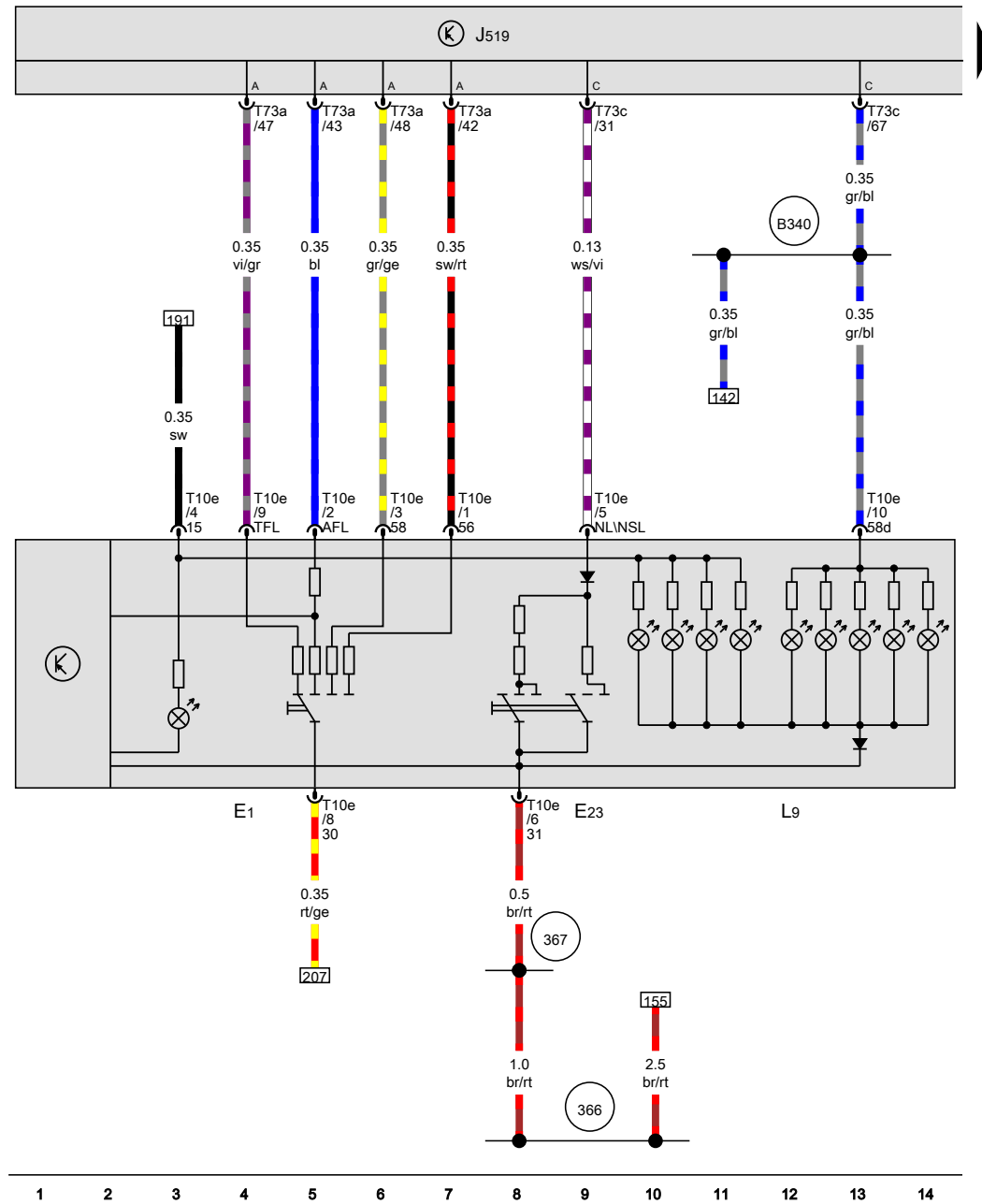
Dash panel insert

- J285 Control unit in dash panel insert
- J519 Onboard supply control unit
- K Dash panel insert
- K1 Main beam warning lamp
- K13 Rear fog light warning lamp
- K17 Fog light warning lamp
- K65 Left turn signal warning lamp
- K94 Right turn signal warning lamp
- K170 Bulb failure warning lamp
- T18a 18-pin connector
- T73c 73-pin connector, black
- B397** Connection 1 (convenience CAN bus, high), in main wiring harness
- B406** Connection 1 (convenience CAN bus, low), in main wiring harness

- ws = white
- sw = black
- ro = red
- rt = red
- br = brown
- gn = green
- bl = blue
- gr = grey
- li = purple
- vi = purple
- ge = yellow
- or = orange
- rs = pink

Exterior lighting , (K8R),(L0R)

From May 2016



Light switch

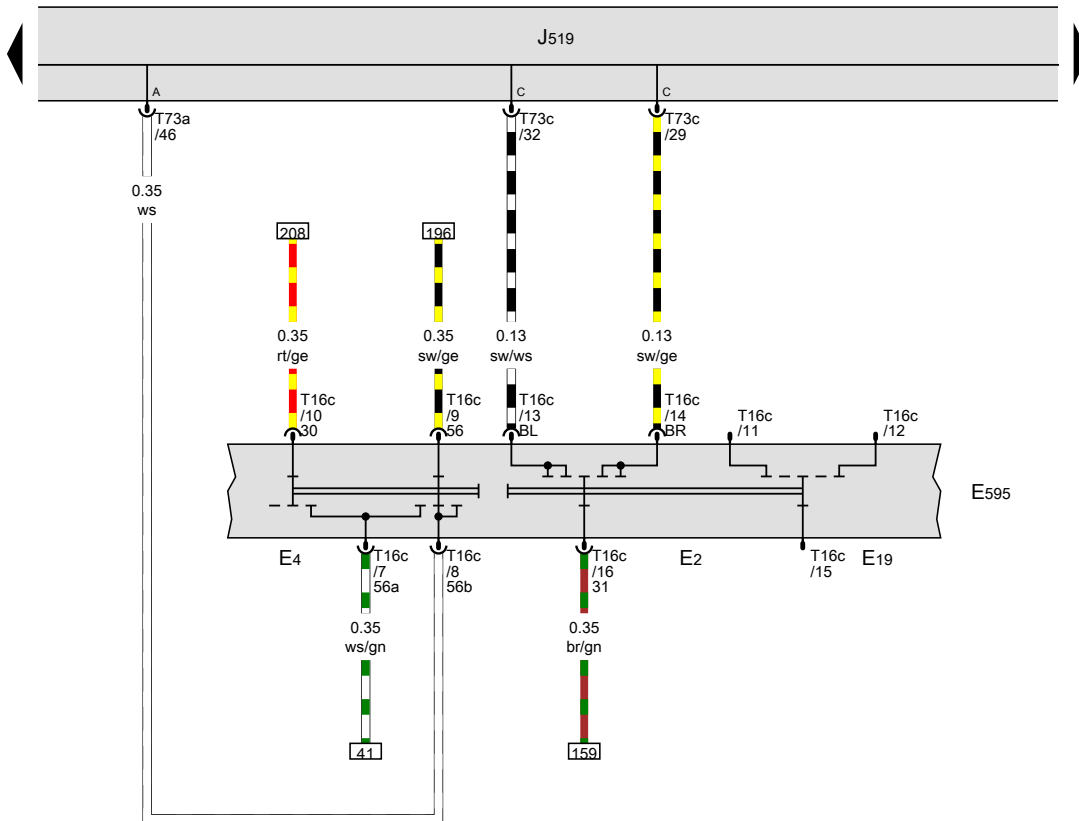
- E1 Light switch
- E23 Front and rear fog light switch
- J519 Onboard supply control unit
- L9 Light switch illumination bulb
- T10e 10-pin connector
- T73a 73-pin connector, black
- T73c 73-pin connector, black
- 366 Earth connection 1, in main wiring harness
- 367 Earth connection 2, in main wiring harness
- B340 Connection 1 (58d), in main wiring harness

- ws = white
- sw = black
- ro = red
- rt = red
- br = brown
- gn = green
- bl = blue
- gr = grey
- li = purple
- vi = purple
- ge = yellow
- or = orange
- rs = pink

[NH0-141020516]

Turn signal switch, Headlight dipper and flasher switch, Parking light switch, Steering column combination switch

- E2 Turn signal switch
- E4 Headlight dipper and flasher switch
- E19 Parking light switch
- E595 Steering column combination switch
- J519 Onboard supply control unit
- T16c 16-pin connector
- T73a 73-pin connector, black
- T73c 73-pin connector, black

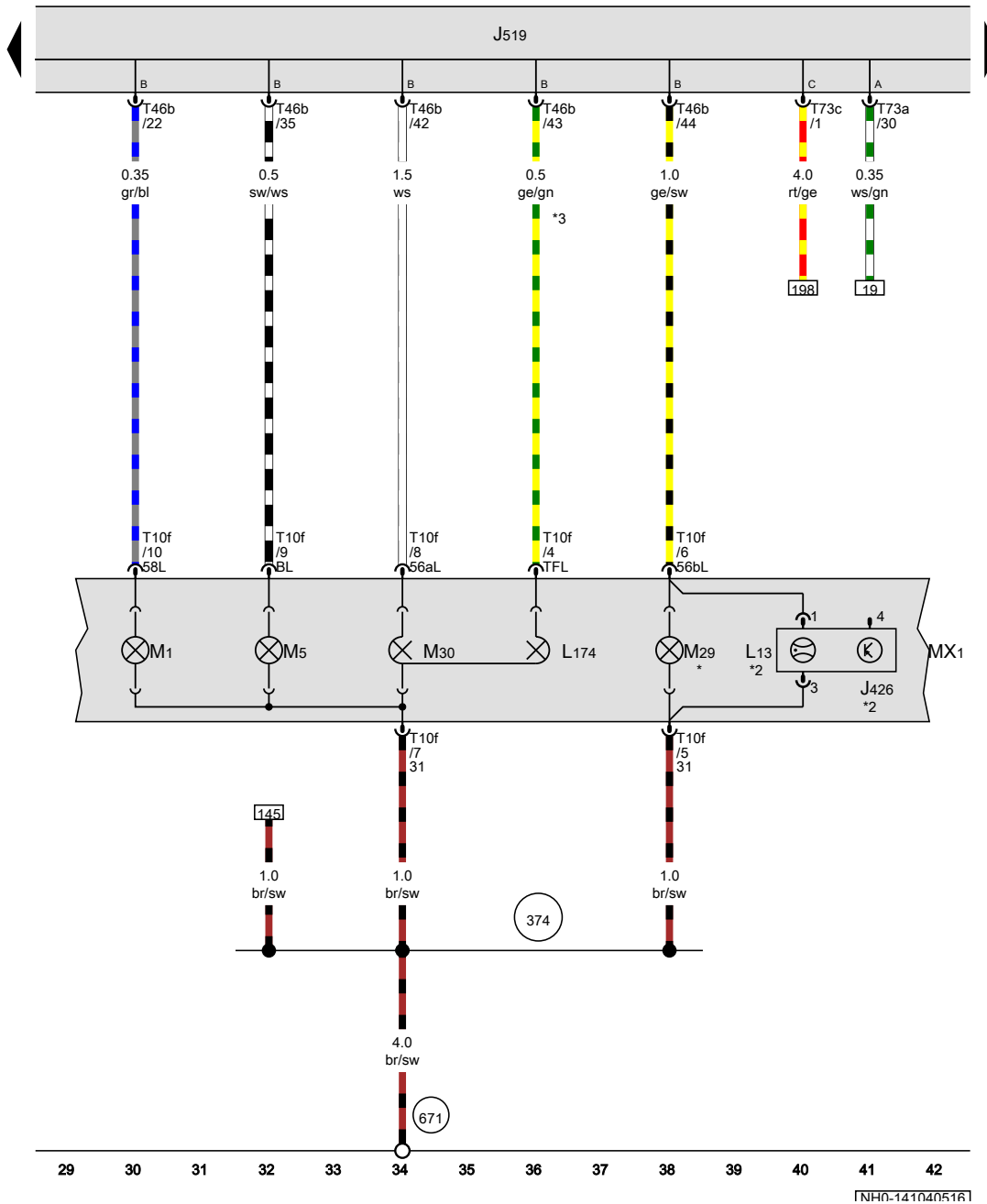


- ws = white
- sw = black
- ro = red
- rt = red
- br = brown
- gn = green
- bl = blue
- gr = grey
- li = purple
- vi = purple
- ge = yellow
- or = orange
- rs = pink

15 16 17 18 19 20 21 22 23 24 25 26 27 28

[NH0-141030516]

Front left headlight



- J426 Left headlight starter for gas discharge light
- J519 Onboard supply control unit
- L13 Left gas discharge (xenon) bulb
- L174 Left daytime running light bulb
- MX1 Front left headlight
- M1 Left side light bulb
- M5 Front left turn signal bulb
- M29 Left headlight dipped beam bulb
- M30 Left headlight main beam bulb
- T10f 10-pin connector
- T46b 46-pin connector, brown
- T73a 73-pin connector, black
- T73c 73-pin connector, black

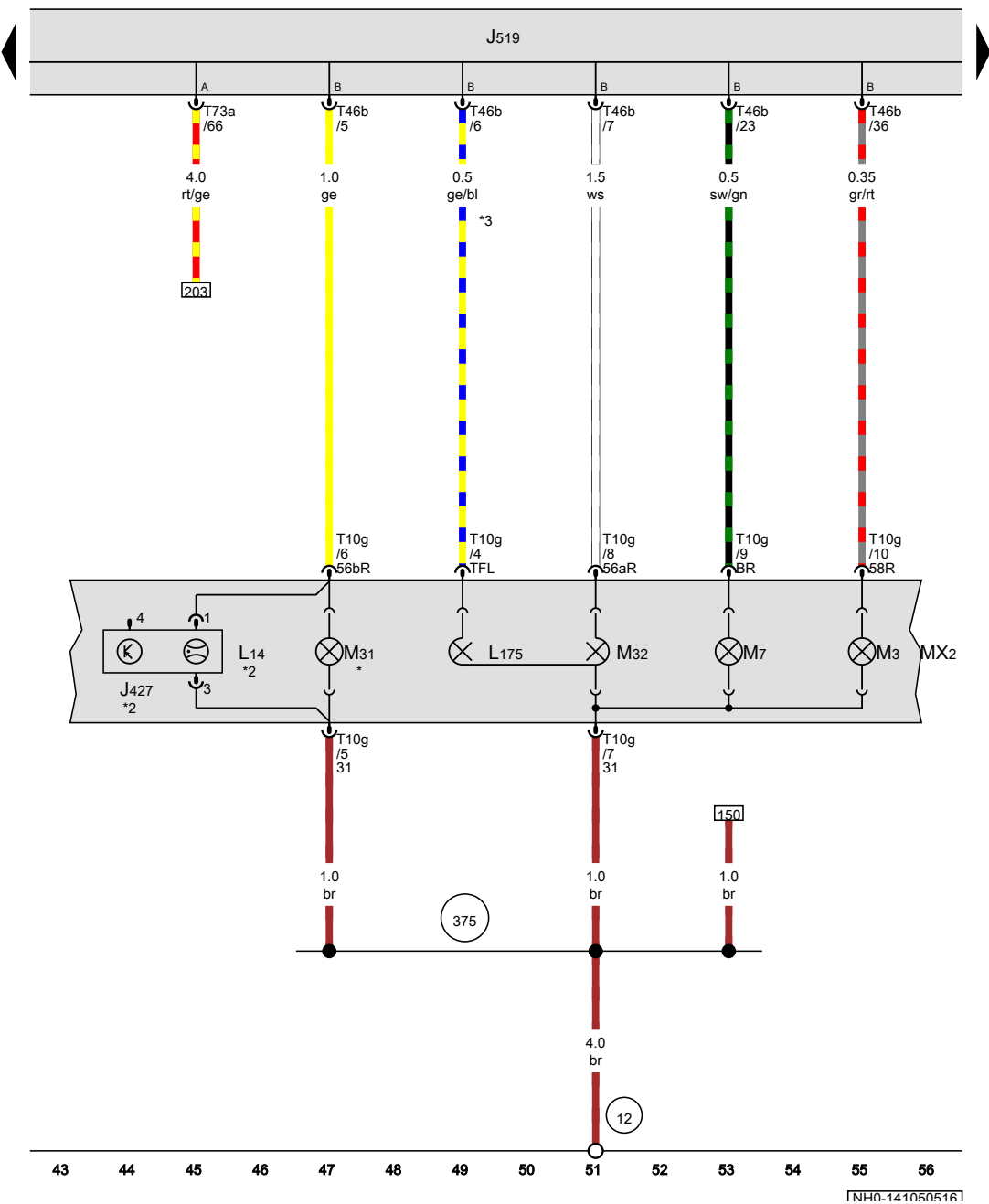
- 374 Earth connection 9, in main wiring harness
- 671 Earth point 1, on front of left longitudinal member
- * Only models with halogen headlights
- *2 Only models with xenon headlights
- *3 Only models with daytime running lights

- ws = white
- sw = black
- ro = red
- rt = red
- br = brown
- gn = green
- bl = blue
- gr = grey
- li = purple
- vi = purple
- ge = yellow
- or = orange
- rs = pink

Front right headlight

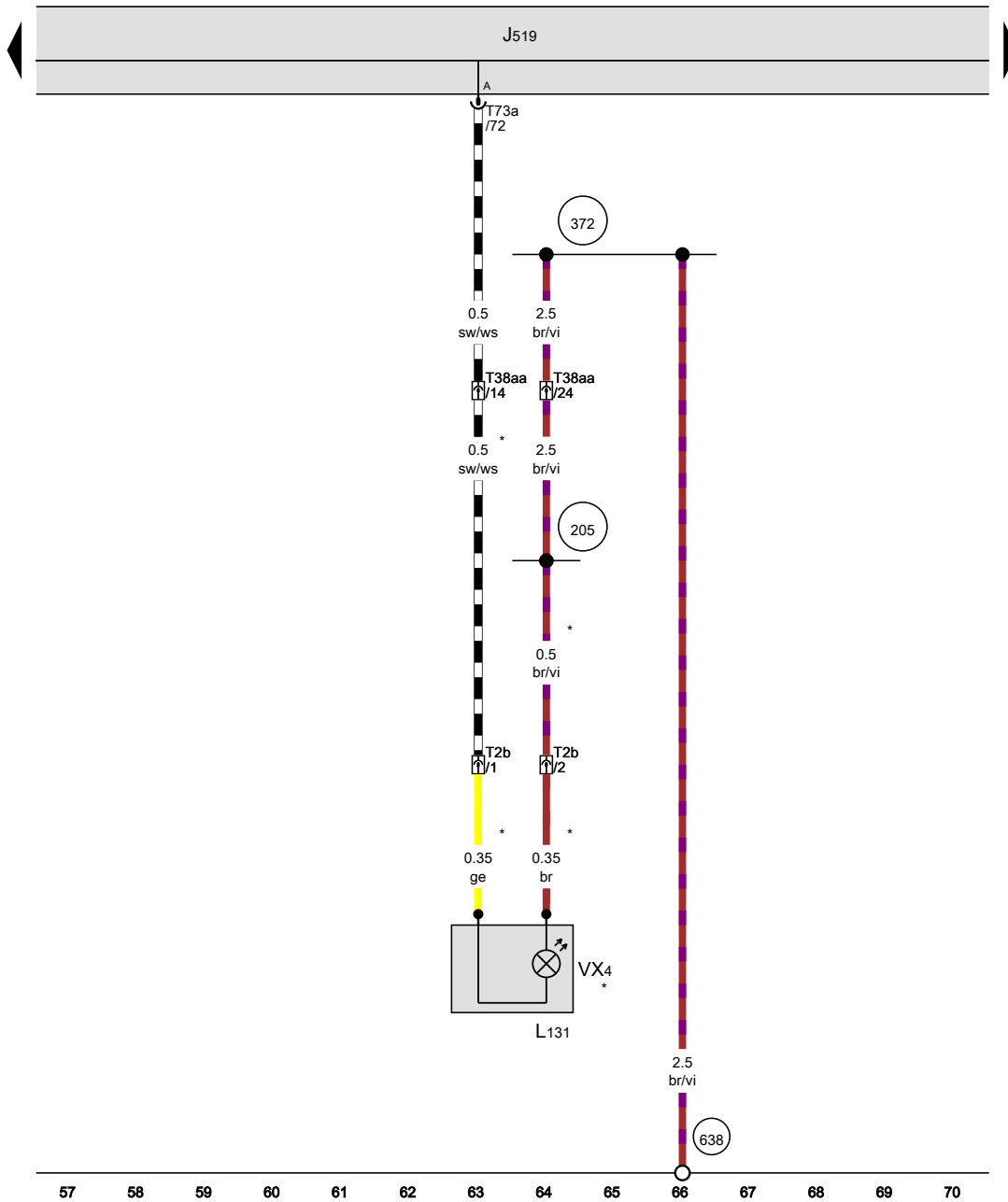
- J427 Right headlight starter for gas discharge light
- J519 Onboard supply control unit
- L14 Right gas discharge (xenon) bulb
- L175 Right daytime running light bulb
- MX2 Front right headlight
- M3 Right side light bulb
- M7 Front right turn signal bulb
- M31 Right headlight dipped beam bulb
- M32 Right headlight main beam bulb
- T10g 10-pin connector
- T46b 46-pin connector, brown
- T73a 73-pin connector, black

- 12 Earth point, on left in engine compartment
- 375 Earth connection 10, in main wiring harness
- * Only models with halogen headlights
- *2 Only models with xenon headlights
- *3 Only models with daytime running lights



- ws = white
- sw = black
- ro = red
- rt = red
- br = brown
- gn = green
- bl = blue
- gr = grey
- li = purple
- vi = purple
- ge = yellow
- or = orange
- rs = pink

[NH0-141050516]



Driver side exterior mirror

- J519 Onboard supply control unit
- L131 Driver side turn signal repeater bulb
- T2b 2-pin connector
- T38aa 38-pin connector, on right A-pillar
- T73a 73-pin connector, black
- VX4 Driver side exterior mirror

205 Earth connection, in driver door wiring harness

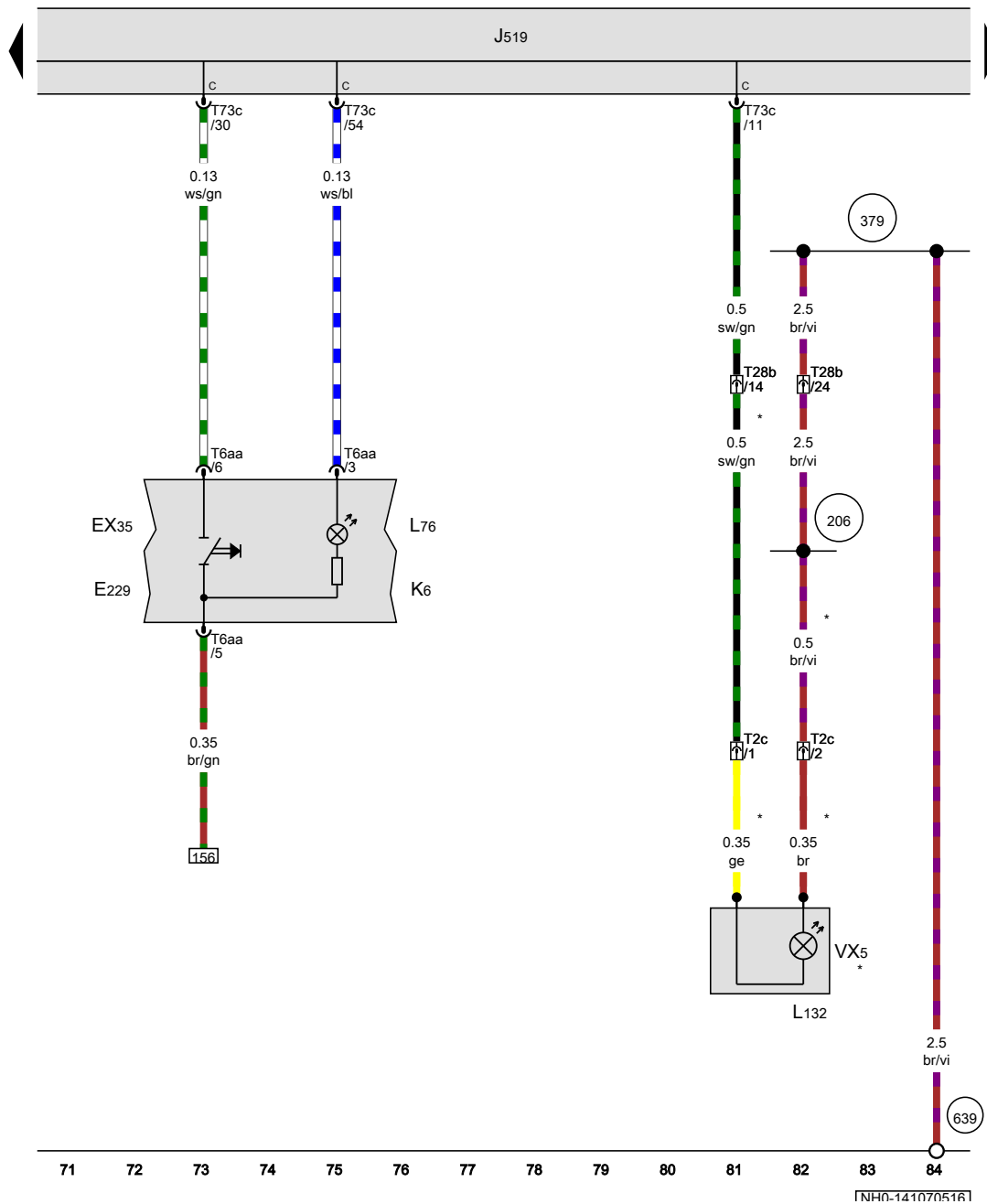
372 Earth connection 7, in main wiring harness

638 Earth point, on right A-pillar

* Only models with no electrically adjustable exterior mirrors

- ws = white
- sw = black
- ro = red
- rt = red
- br = brown
- gn = green
- bl = blue
- gr = grey
- li = purple
- vi = purple
- ge = yellow
- or = orange
- rs = pink

[NH0-141060516]



Centre switch module 2 in dash panel, Hazard warning lights button, Front passenger side exterior mirror

- EX35 Centre switch module 2 in dash panel
- E229 Hazard warning lights button
- J519 Onboard supply control unit
- K6 Indicator lamp for hazard warning light
- L76 Button illumination bulb
- L132 Front passenger side turn signal repeater bulb
- T2c 2-pin connector
- T6aa 6-pin connector
- T28b 28-pin connector, on left A-pillar
- T73c 73-pin connector, black
- VX5 Front passenger side exterior mirror
- 206 Earth connection, in front passenger door wiring harness
- 379 Earth connection 14, in main wiring harness
- 639 Earth point, left A-pillar
- * Only models with no electrically adjustable exterior mirrors

- ws = white
- sw = black
- ro = red
- rt = red
- br = brown
- gn = green
- bl = blue
- gr = grey
- li = purple
- vi = purple
- ge = yellow
- or = orange
- rs = pink

[NH0-141070516]

Left tail light

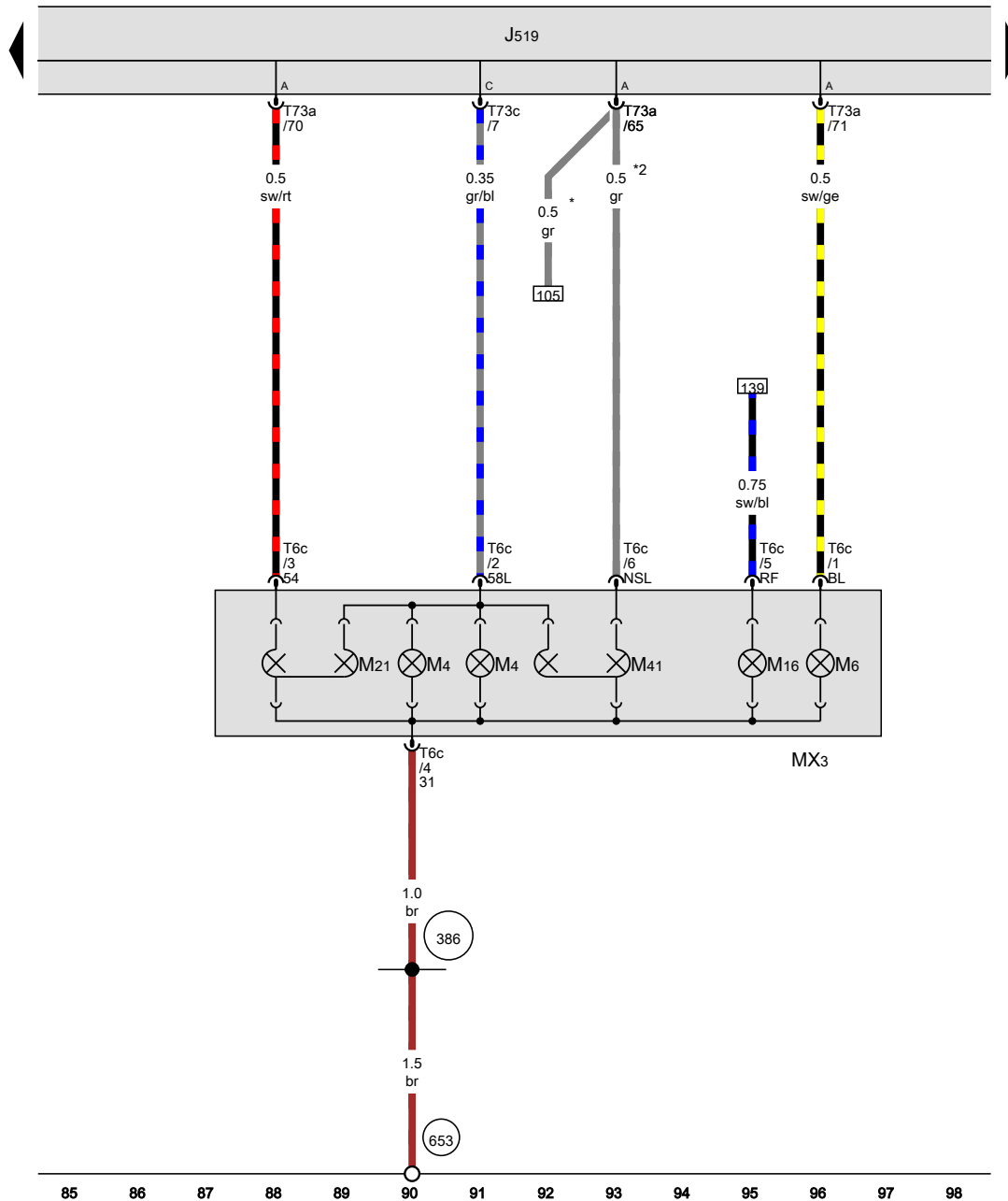
- J519 Onboard supply control unit
- MX3 Left tail light
- M4 Left tail light bulb
- M6 Rear left turn signal bulb
- M16 Left reversing light bulb
- M21 Left brake and tail light bulb
- M41 Left tail light and rear fog light bulb
- T6c 6-pin connector
- T73a 73-pin connector, black
- T73c 73-pin connector, black

386 Earth connection 21, in main wiring harness

653 Earth point, on left D-pillar

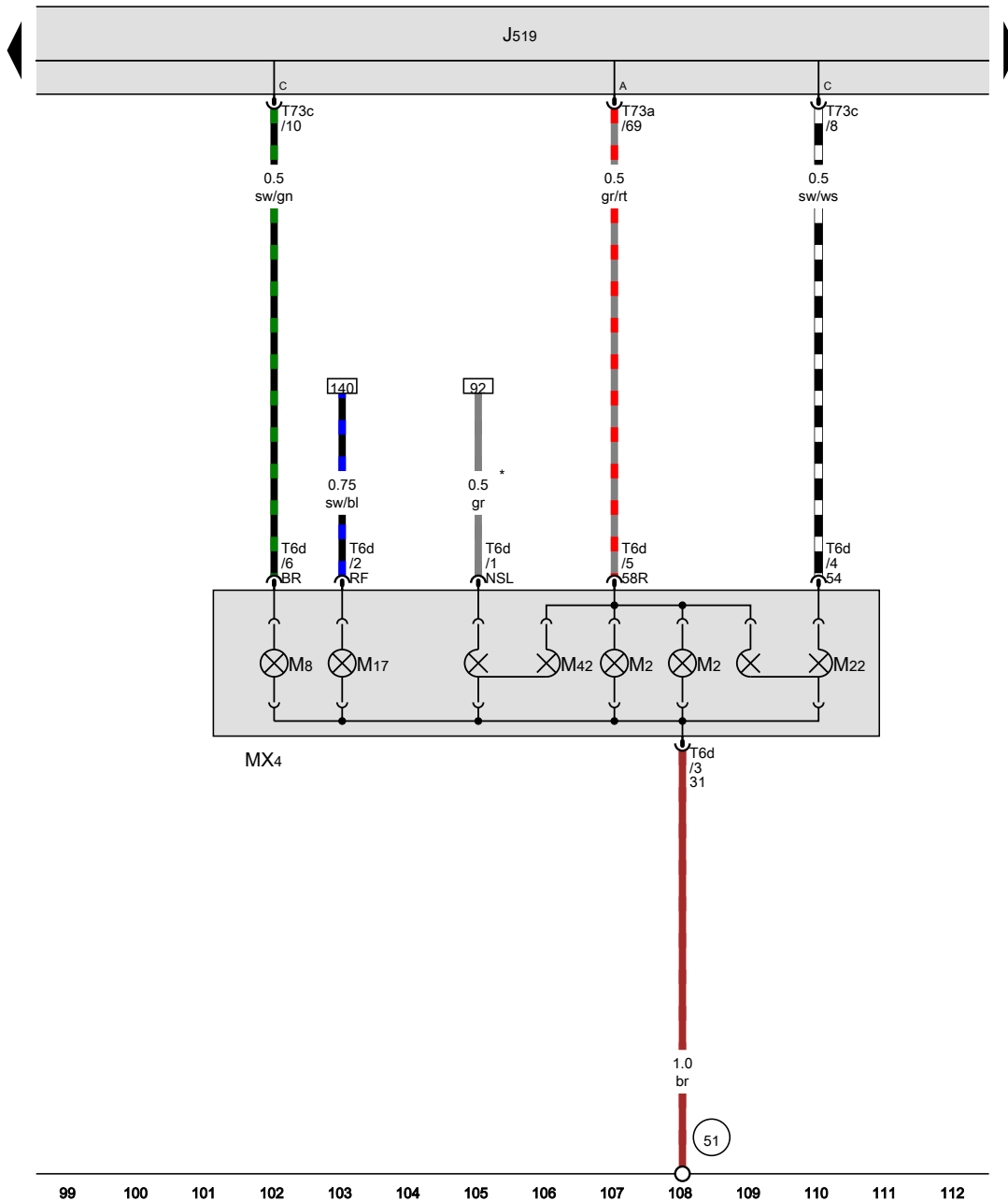
* Only right-hand drive models

*2 Only left-hand drive models



- ws = white
- sw = black
- ro = red
- rt = red
- br = brown
- gn = green
- bl = blue
- gr = grey
- li = purple
- vi = purple
- ge = yellow
- or = orange
- rs = pink

[NH0-1410R0516]



Right tail light

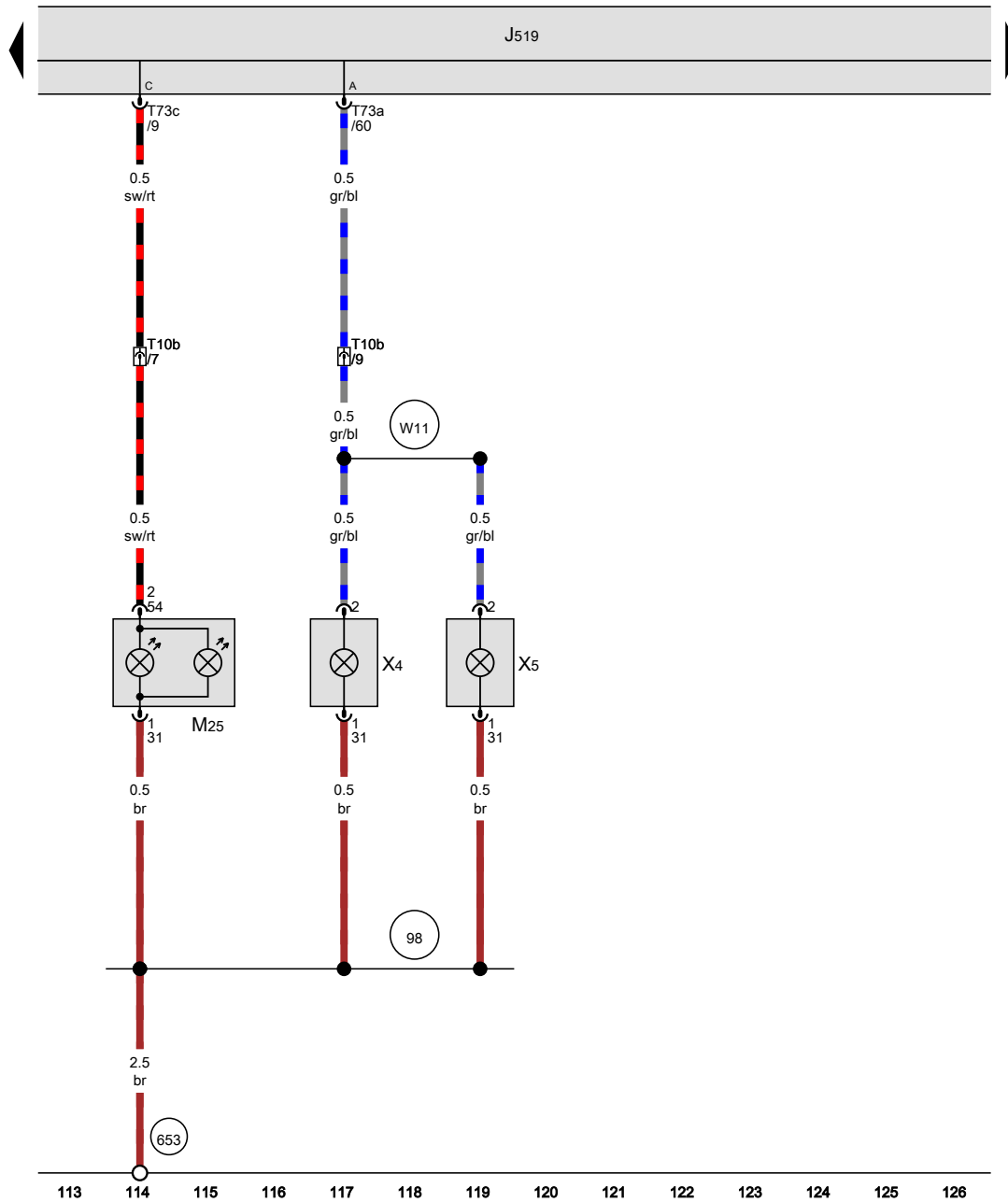
- J519 Onboard supply control unit
- M2 Right tail light bulb
- MX4 Right tail light
- M8 Rear right turn signal bulb
- M17 Right reversing light bulb
- M22 Right brake and tail light bulb
- M42 Right tail light and rear fog light bulb
- T6d 6-pin connector
- T73a 73-pin connector, black
- T73c 73-pin connector, black

51 Earth point, on right in luggage compartment

* Only right-hand drive models

- ws = white
- sw = black
- ro = red
- rt = red
- br = brown
- gn = green
- bl = blue
- gr = grey
- li = purple
- vi = purple
- ge = yellow
- or = orange
- rs = pink

1NH0-141090516



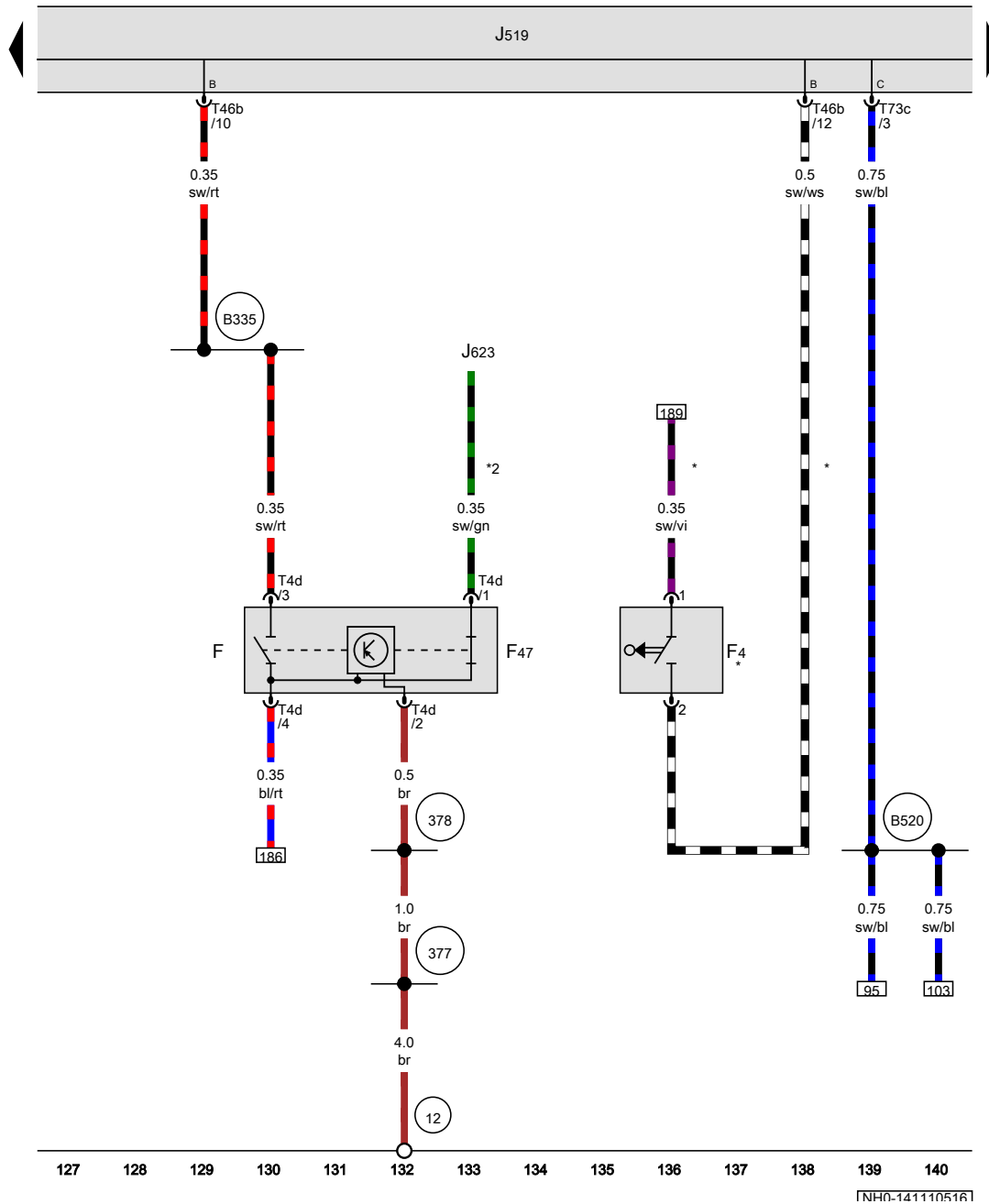
High-level brake light bulb, Left number plate light, Right number plate light

- J519 Onboard supply control unit
- M25 High-level brake light bulb
- T10b 10-pin connector
- T73a 73-pin connector, black
- T73c 73-pin connector, black
- X4 Left number plate light
- X5 Right number plate light
- 98 Earth connection, in rear lid wiring harness
- 653 Earth point, on left D-pillar
- W11 Connection (58), in rear lid wiring harness

- ws = white
- sw = black
- ro = red
- rt = red
- br = brown
- gn = green
- bl = blue
- gr = grey
- li = purple
- vi = purple
- ge = yellow
- or = orange
- rs = pink

[NH0-141100516]

Reversing light switch, Brake pedal switch



- F Brake light switch
- F4 Reversing light switch
- F47 Brake pedal switch
- J519 Onboard supply control unit
- J623 Engine control unit
- T4d 4-pin connector
- T46b 46-pin connector, brown
- T73c 73-pin connector, black

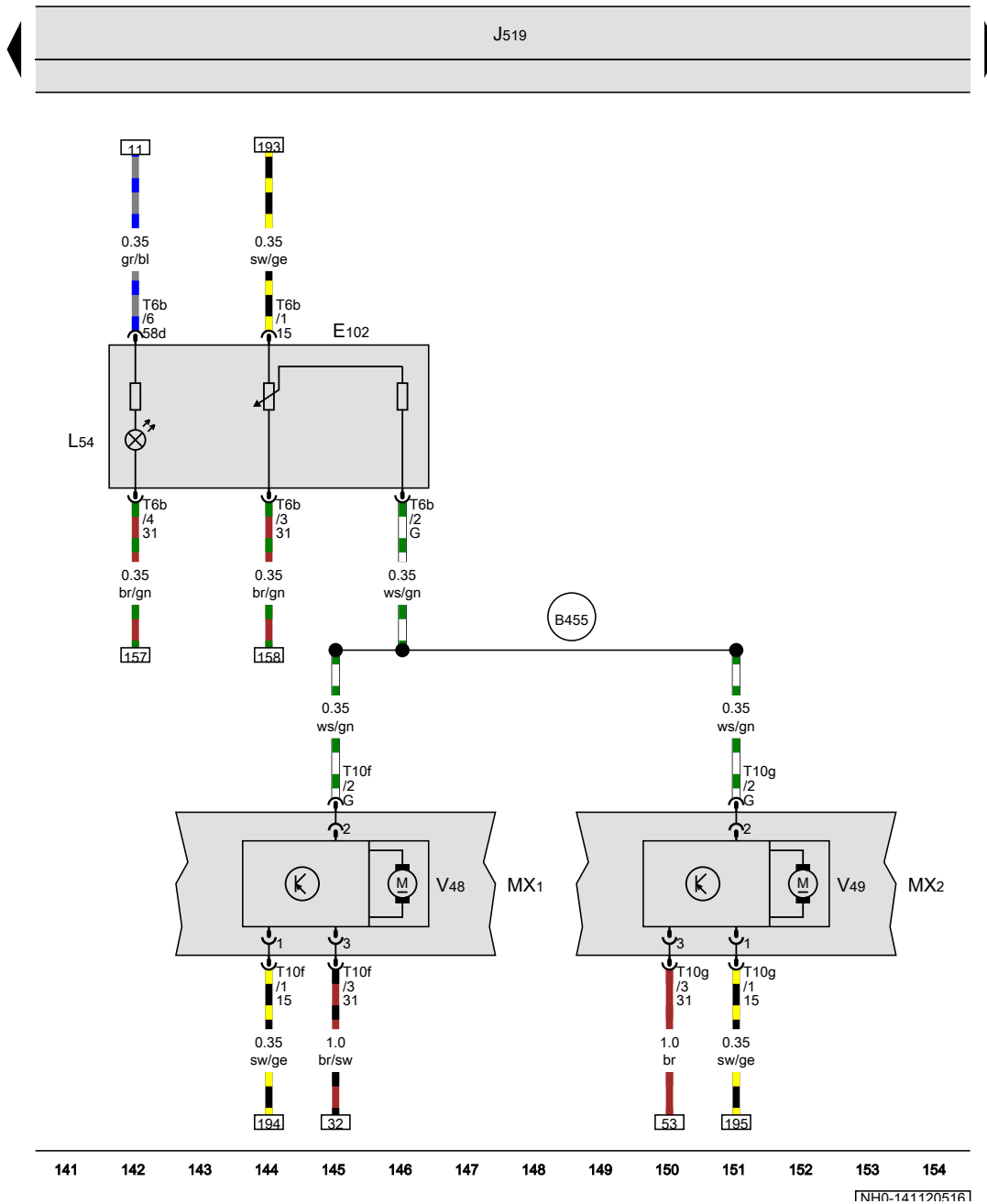
- 12 Earth point, on left in engine compartment
- 377 Earth connection 12, in main wiring harness
- 378 Earth connection 13, in main wiring harness
- B335 Connection 1 (54), in main wiring harness
- B520 Connection (RL), in main wiring harness
- * Only models with manual gearbox
- *2 see applicable current flow diagram for engine

- ws = white
- sw = black
- ro = red
- rt = red
- br = brown
- gn = green
- bl = blue
- gr = grey
- li = purple
- vi = purple
- ge = yellow
- or = orange
- rs = pink

[NH0-141110516]

Headlight range control regulator, Left headlight range control motor, Right headlight range control motor

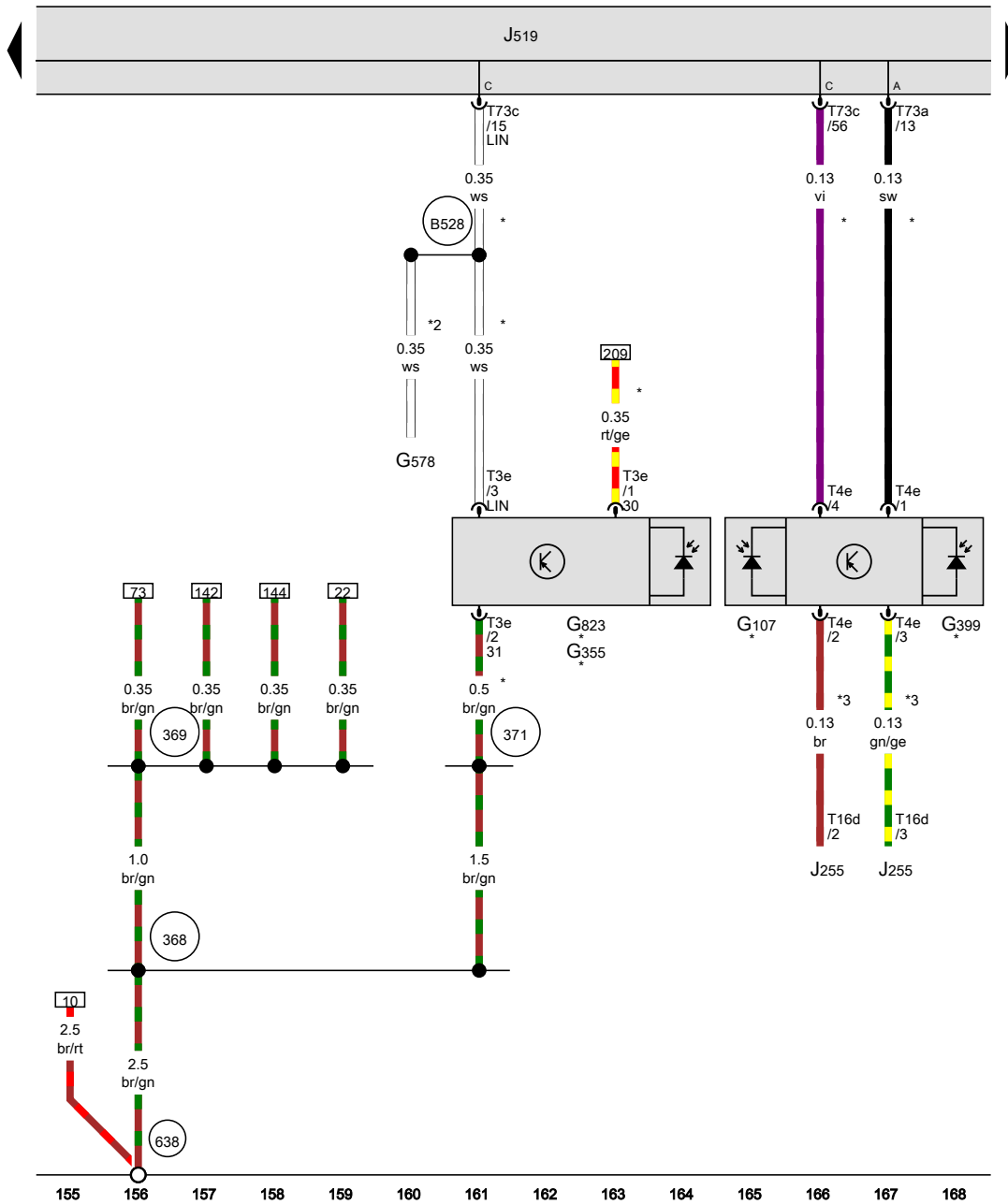
- E102 Headlight range control regulator
- J519 Onboard supply control unit
- L54 Headlight range control regulator illumination bulb
- MX1 Front left headlight
- MX2 Front right headlight
- T6b 6-pin connector
- T10f 10-pin connector
- T10g 10-pin connector
- V48 Left headlight range control motor
- V49 Right headlight range control motor
- B455 Connection (HRC), in main wiring harness



- ws = white
- sw = black
- ro = red
- rt = red
- br = brown
- gn = green
- bl = blue
- gr = grey
- li = purple
- vi = purple
- ge = yellow
- or = orange
- rs = pink

[NH0-141120516]

Sunlight penetration photosensor, Humidity sender, Light sensor, Air humidity, rain and light sensor



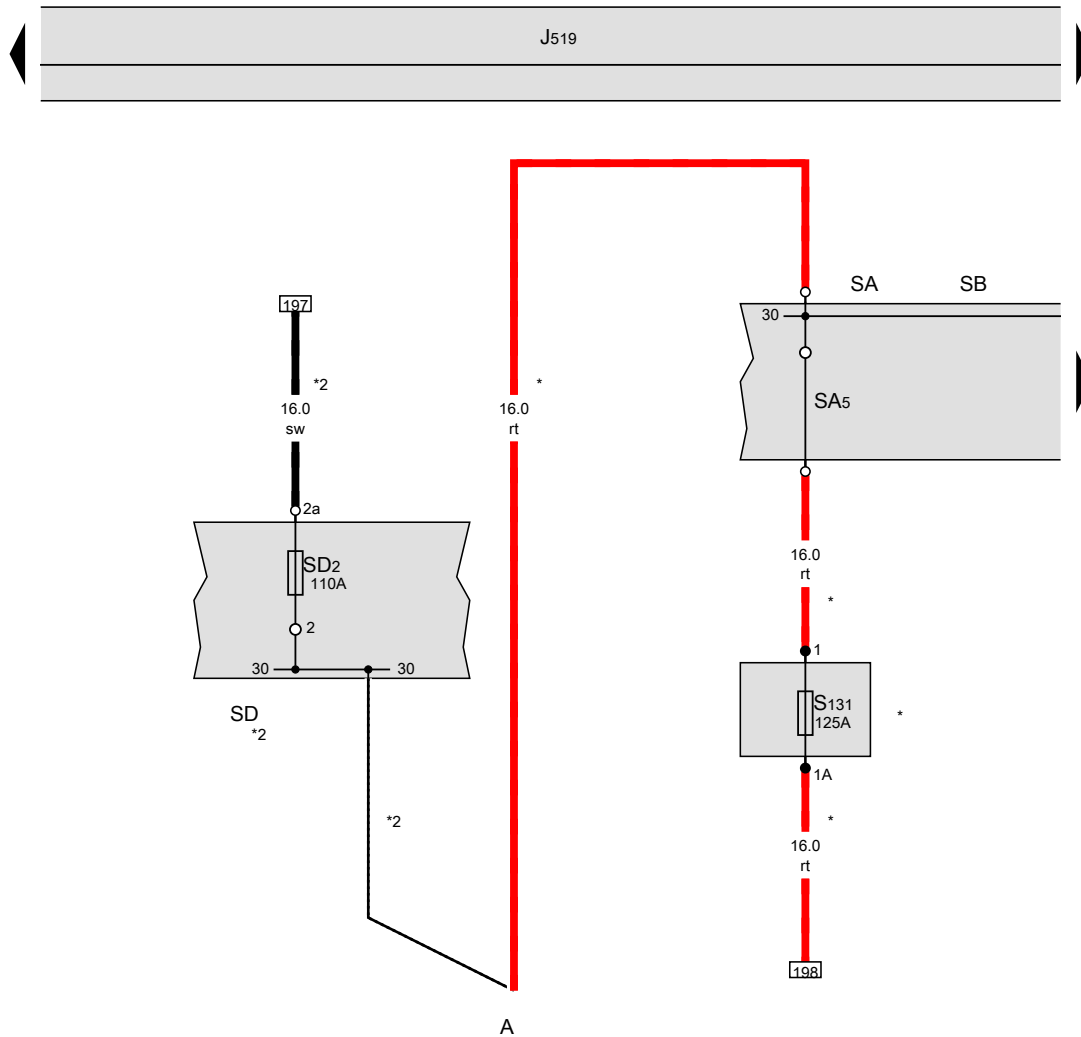
- G107 Sunlight penetration photosensor
- G355 Humidity sender
- G399 Light sensor
- G578 Anti-theft alarm sensor
- G823 Air humidity, rain and light sensor
- J255 Climatronic control unit
- J519 Onboard supply control unit
- T3e 3-pin connector
- T4e 4-pin connector
- T16d 16-pin connector
- T73a 73-pin connector, black
- T73c 73-pin connector, black
- 368 Earth connection 3, in main wiring harness
- 369 Earth connection 4, in main wiring harness
- 371 Earth connection 6, in main wiring harness
- 638 Earth point, on right A-pillar
- B528 Connection 1 (LIN bus) in main wiring harness
- * According to equipment
- *2 For models with anti-theft alarm system
- *3 Only models with Climatronic

- ws = white
- sw = black
- ro = red
- rt = red
- br = brown
- gn = green
- bl = blue
- gr = grey
- li = purple
- vi = purple
- ge = yellow
- or = orange
- rs = pink

[NH0-141130516]

Battery, Fuse holder A, Fuse holder B, Fuse holder D

- A Battery
- J519 Onboard supply control unit
- SD2 Fuse 2 on fuse holder D
- SA5 Fuse 5 in fuse holder A
- S131 Fuse 1, in main wiring harness
- SA Fuse holder A
- SB Fuse holder B
- SD Fuse holder D
- * Only models with battery in engine compartment
- *2 Only models with battery in luggage compartment



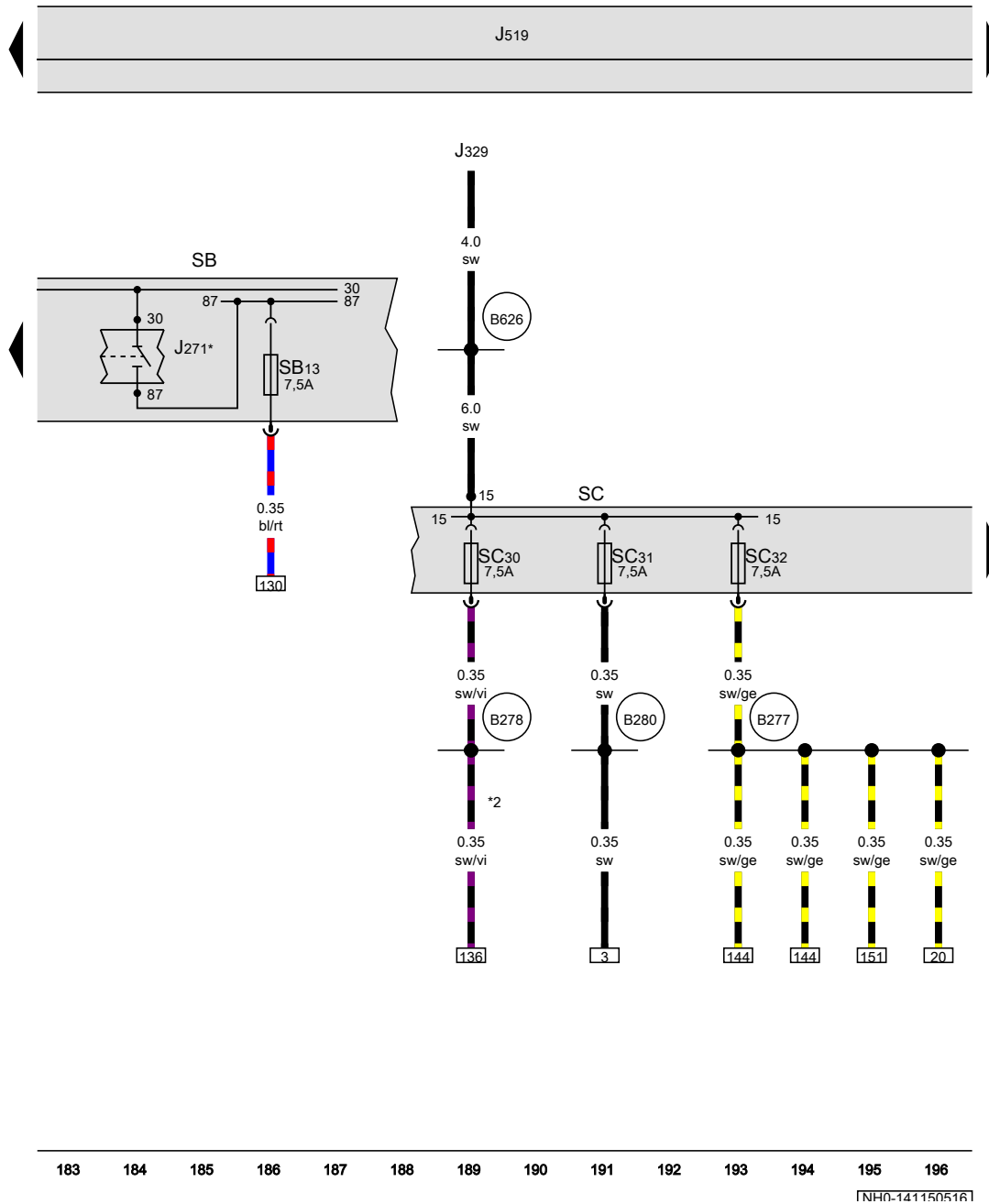
- ws = white
- sw = black
- ro = red
- rt = red
- br = brown
- gn = green
- bl = blue
- gr = grey
- li = purple
- vi = purple
- ge = yellow
- or = orange
- rs = pink

Fuse holder B, Fuse holder C

- J271 Main relay
- J329 Terminal 15 voltage supply relay
- J519 Onboard supply control unit
- SB Fuse holder B
- SB13 Fuse 13 on fuse holder B
- SC Fuse holder C
- SC30 Fuse 30 on fuse holder C
- SC31 Fuse 31 on fuse holder C
- SC32 Fuse 32 on fuse holder C

- (B277) Positive connection 1 (15a) in main wiring harness
- (B278) Positive connection 2 (15a) in main wiring harness
- (B280) Positive connection 4 (15a) in main wiring harness
- (B626) Positive connection 2 (15), in main wiring harness

* see applicable current flow diagram for engine
 *2 Only models with manual gearbox



- ws = white
- sw = black
- ro = red
- rt = red
- br = brown
- gn = green
- bl = blue
- gr = grey
- li = purple
- vi = purple
- ge = yellow
- or = orange
- rs = pink

183 184 185 186 187 188 189 190 191 192 193 194 195 196

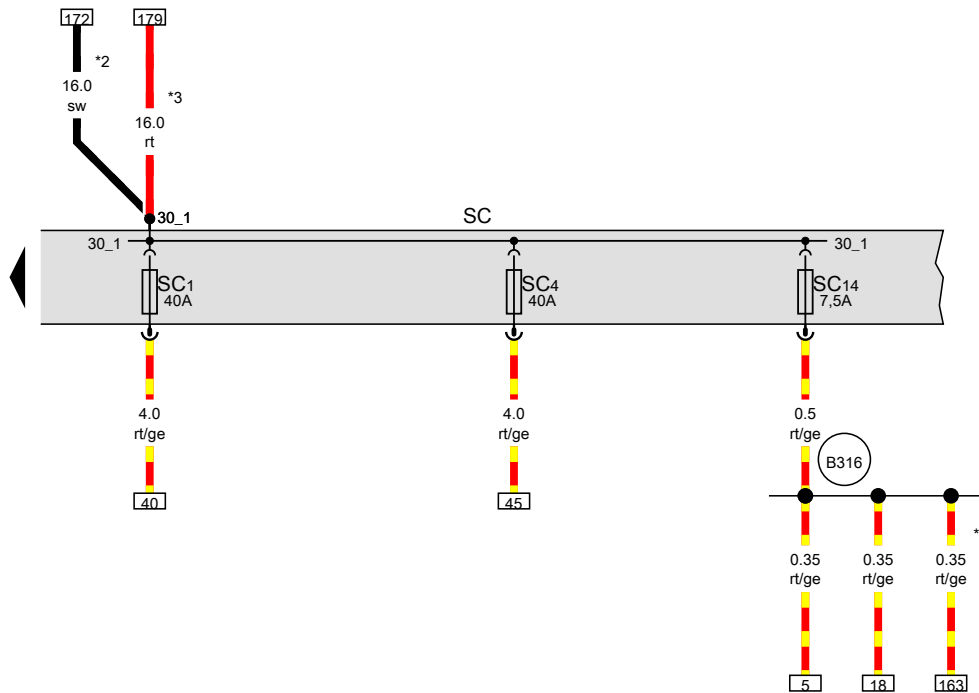
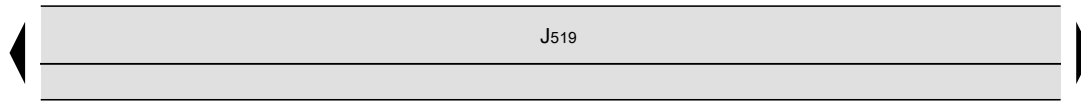
[NH0-141150516]

Fuse holder C

- J519 Onboard supply control unit
- SC Fuse holder C
- SC1 Fuse 1 on fuse holder C
- SC4 Fuse 4 on fuse holder C
- SC14 Fuse 14 on fuse holder C

B316 Positive connection 2 (30a) in main wiring harness

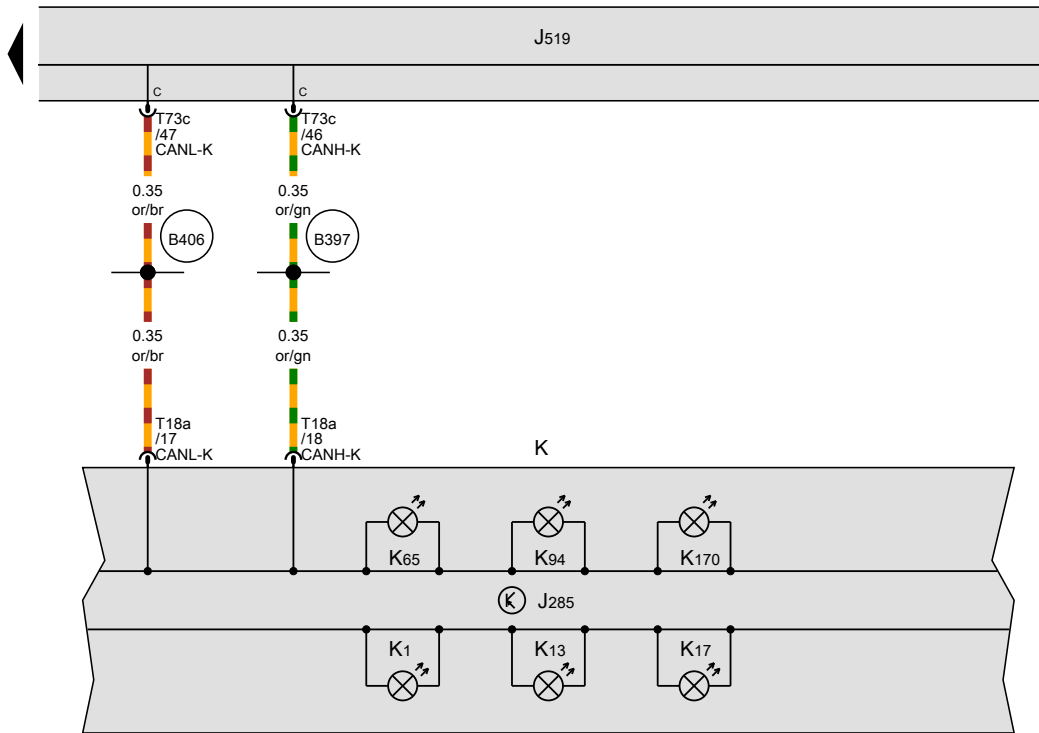
- * According to equipment
- *2 Only models with battery in luggage compartment
- *3 Only models with battery in engine compartment



- ws = white
- sw = black
- ro = red
- rt = red
- br = brown
- gn = green
- bl = blue
- gr = grey
- li = purple
- vi = purple
- ge = yellow
- or = orange
- rs = pink

197 198 199 200 201 202 203 204 205 206 207 208 209 210

[NH0-141160516]



Dash panel insert

- J285 Control unit in dash panel insert
- J519 Onboard supply control unit
- K Dash panel insert
- K1 Main beam warning lamp
- K13 Rear fog light warning lamp
- K17 Fog light warning lamp
- K65 Left turn signal warning lamp
- K94 Right turn signal warning lamp
- K170 Bulb failure warning lamp
- T18a 18-pin connector
- T73c 73-pin connector, black
- B397** Connection 1 (convenience CAN bus, high), in main wiring harness
- B406** Connection 1 (convenience CAN bus, low), in main wiring harness

- ws = white
- sw = black
- ro = red
- rt = red
- br = brown
- gn = green
- bl = blue
- gr = grey
- li = purple
- vi = purple
- ge = yellow
- or = orange
- rs = pink

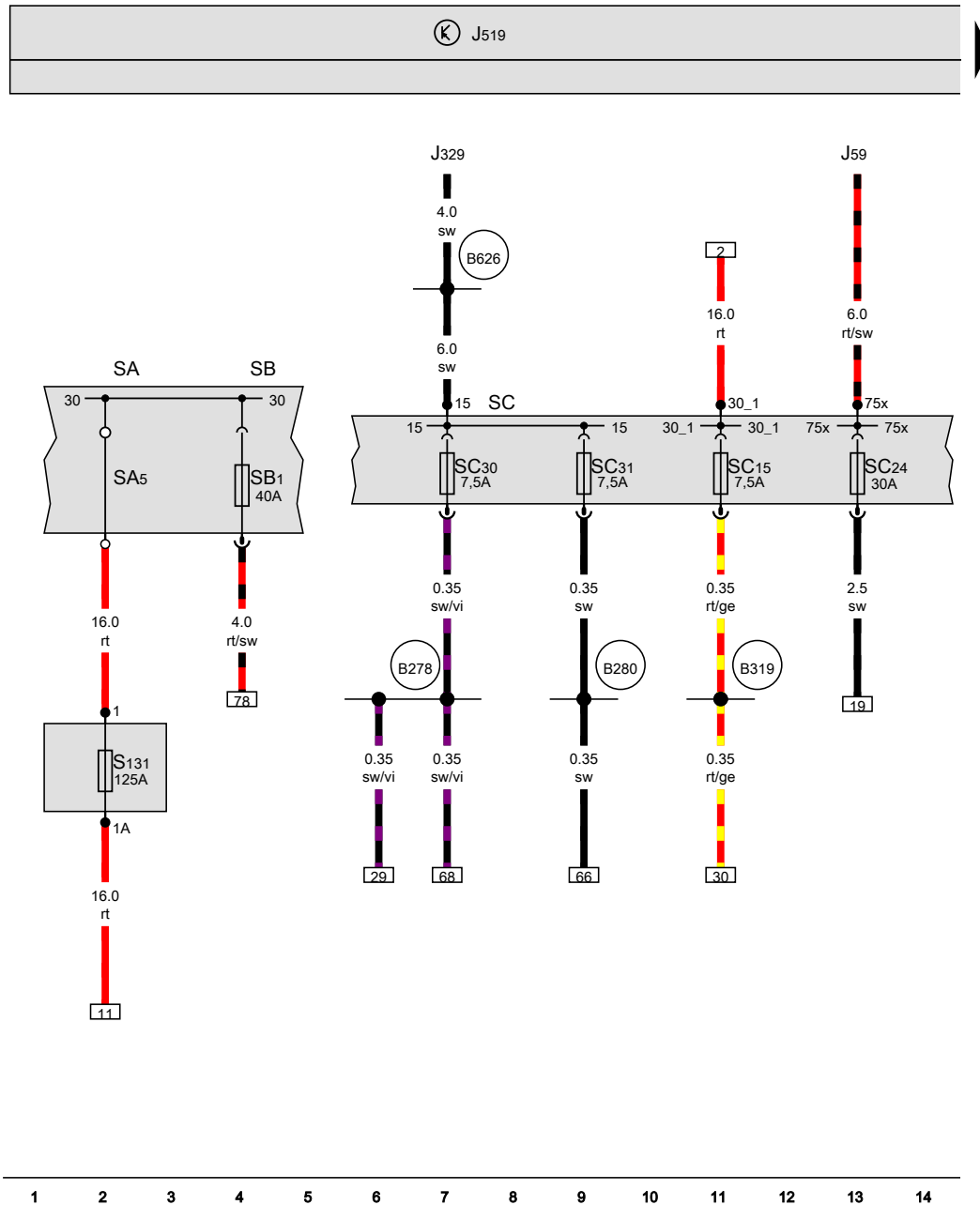
Climatic , CJZC,CJZD

From May 2016

Fuse holder A, Fuse holder B, Fuse holder C

- J59 X-contact relief relay
- J329 Terminal 15 voltage supply relay
- J519 Onboard supply control unit
- SA Fuse holder A
- SB Fuse holder B
- SB1 Fuse 1 on fuse holder B
- SA5 Fuse 5 in fuse holder A
- S131 Fuse 1, in main wiring harness
- SC Fuse holder C
- SC15 Fuse 15 on fuse holder C
- SC24 Fuse 24 on fuse holder C
- SC30 Fuse 30 on fuse holder C
- SC31 Fuse 31 on fuse holder C

- (B278) Positive connection 2 (15a) in main wiring harness
- (B280) Positive connection 4 (15a) in main wiring harness
- (B319) Positive connection 5 (30a) in main wiring harness
- (B626) Positive connection 2 (15), in main wiring harness



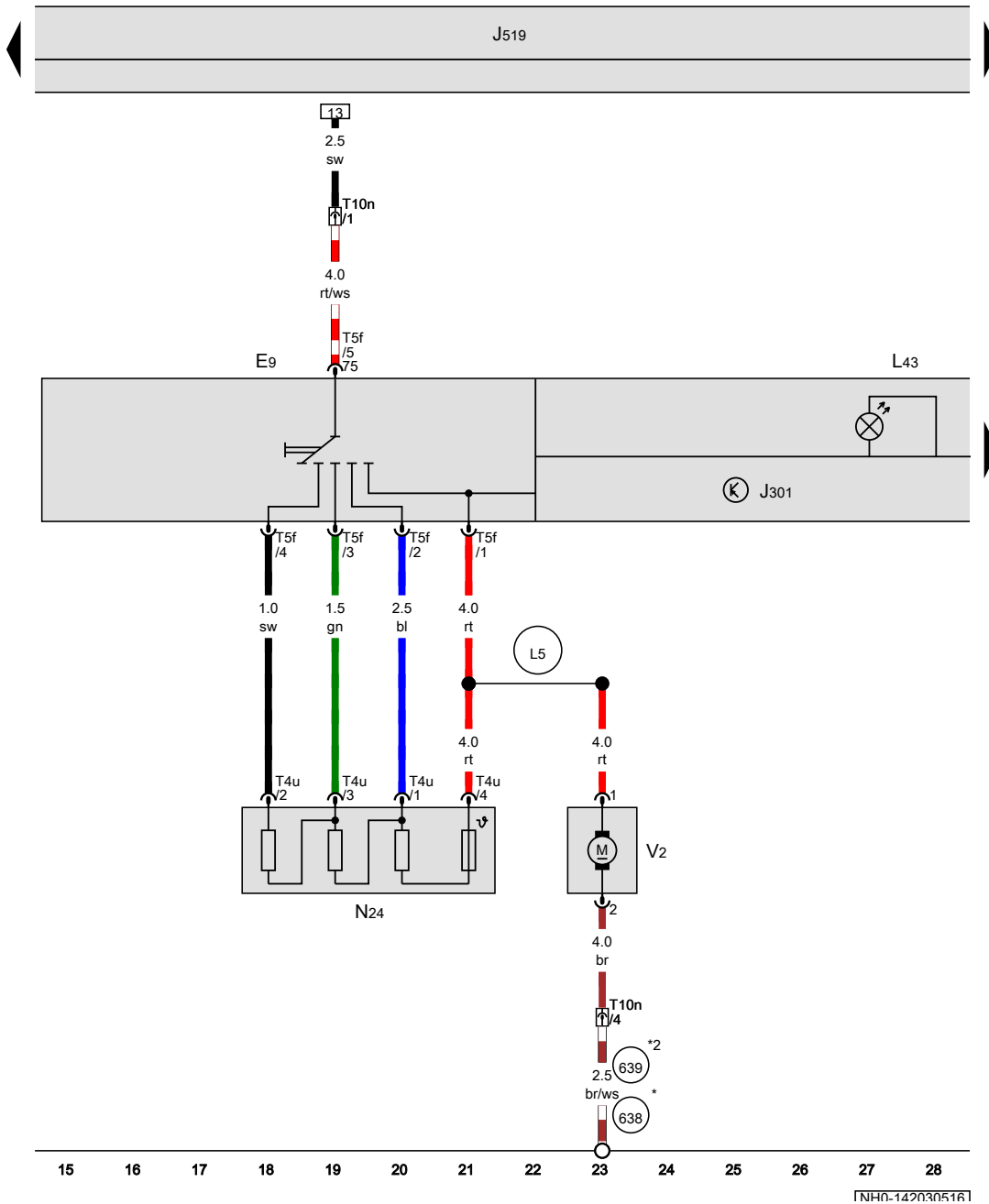
- ws = white
- sw = black
- ro = red
- rt = red
- br = brown
- gn = green
- bl = blue
- gr = grey
- li = purple
- vi = purple
- ge = yellow
- or = orange
- rs = pink

[NH0-142020516]

Air conditioning system control unit, Fresh air blower series resistor with overheating fuse, Fresh air blower

- E9 Fresh air blower switch
- J301 Air conditioning system control unit
- J519 Onboard supply control unit
- L43 Air conditioning system switch illumination bulb
- N24 Fresh air blower series resistor with overheating fuse
- T4u 4-pin connector
- T5f 5-pin connector
- T10n 10-pin connector, behind dash panel
- V2 Fresh air blower

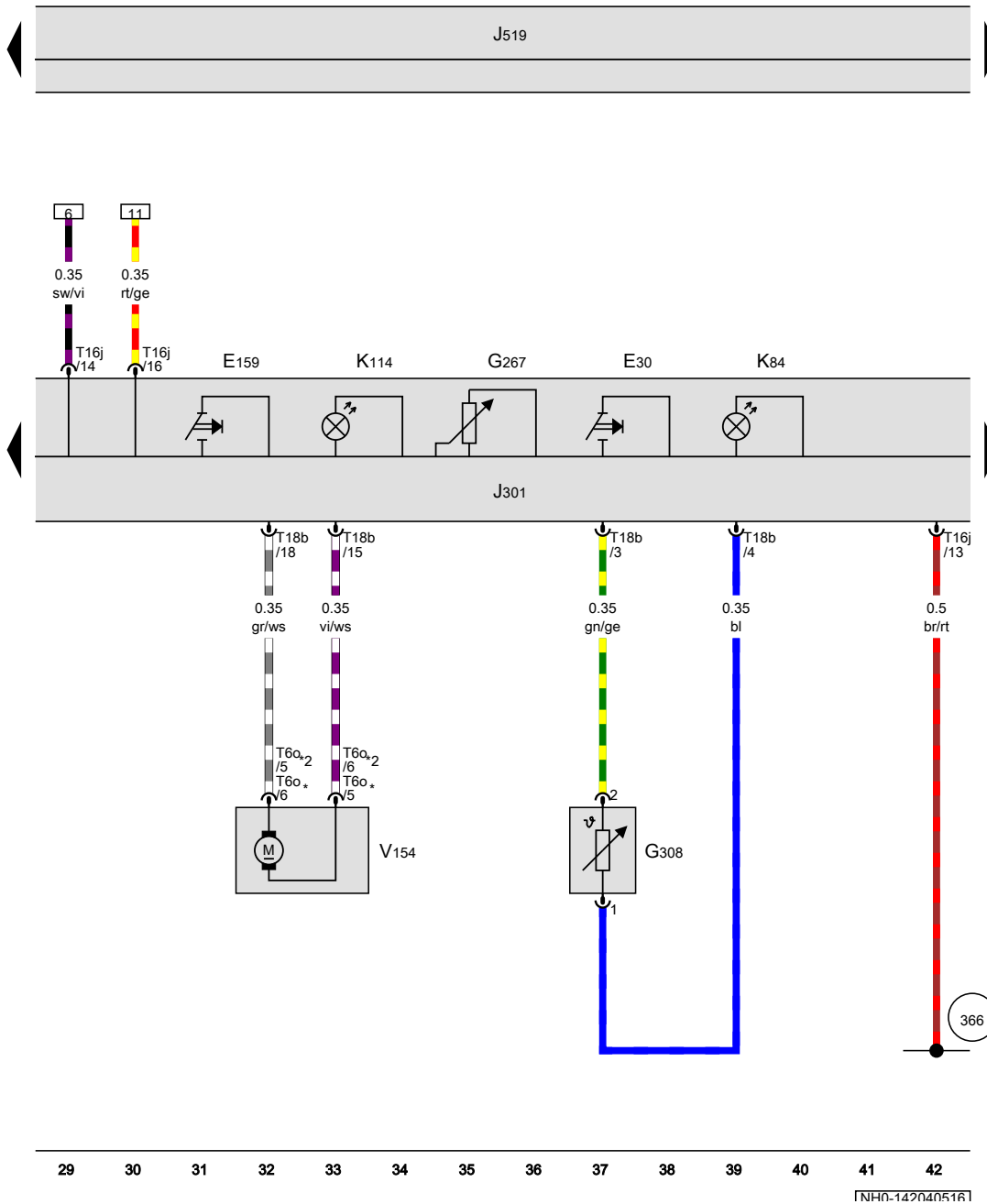
- 638 Earth point, on right A-pillar
- 639 Earth point, left A-pillar
- L5 Connection 1, in evaporator housing unit wiring harness
- * Only left-hand drive models
- *2 Only right-hand drive models



- ws = white
- sw = black
- ro = red
- rt = red
- br = brown
- gn = green
- bl = blue
- gr = grey
- li = purple
- vi = purple
- ge = yellow
- or = orange
- rs = pink

[NH0-142030516]

Evaporator temperature sensor, Air conditioning system control unit, Fresh air and air recirculation flap control motor



- E30 Air conditioning system switch
- E159 Fresh air and air recirculation flap switch
- G267 Potentiometer for temperature selection rotary knob
- G308 Evaporator temperature sensor
- J301 Air conditioning system control unit
- J519 Onboard supply control unit
- K84 Air conditioning system warning lamp
- K114 Fresh air and air recirculation warning lamp
- T6o 6-pin connector
- T16j 16-pin connector
- T18b 18-pin connector
- V154 Fresh air and air recirculation flap control motor

366 Earth connection 1, in main wiring harness

- * Only left-hand drive models
- *2 Only right-hand drive models

- ws = white
- sw = black
- ro = red
- rt = red
- br = brown
- gn = green
- bl = blue
- gr = grey
- li = purple
- vi = purple
- ge = yellow
- or = orange
- rs = pink

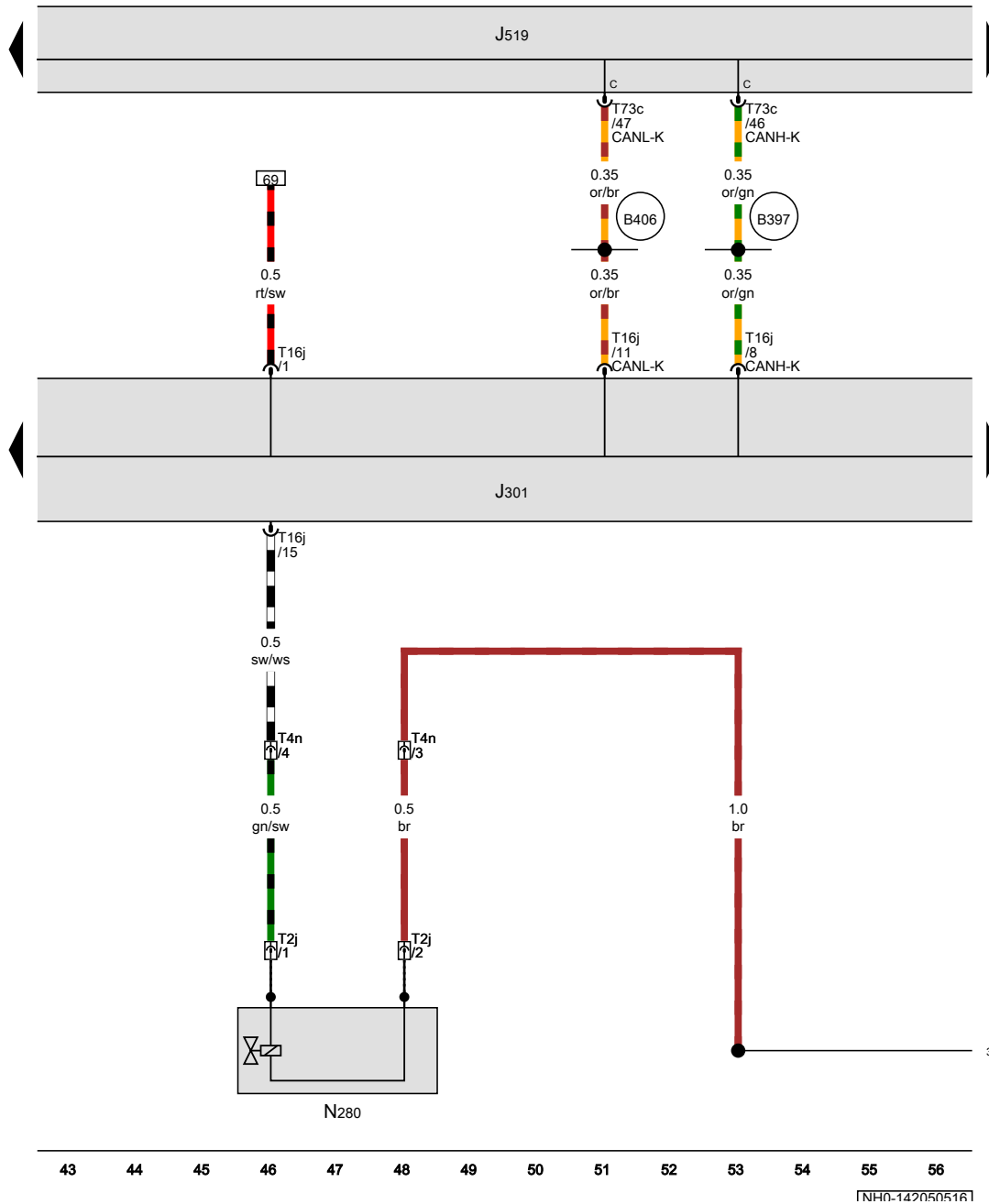
29 30 31 32 33 34 35 36 37 38 39 40 41 42

[NH0-142040516]

Air conditioning system control unit, Air conditioner compressor regulating valve

- J301 Air conditioning system control unit
- J519 Onboard supply control unit
- N280 Air conditioner compressor regulating valve
- T2j 2-pin connector
- T4n 4-pin connector, front left in engine compartment
- T16j 16-pin connector
- T73c 73-pin connector, black

- 381 Earth connection 16, in main wiring harness
- B397 Connection 1 (convenience CAN bus, high), in main wiring harness
- B406 Connection 1 (convenience CAN bus, low), in main wiring harness



[NH0-142050516]

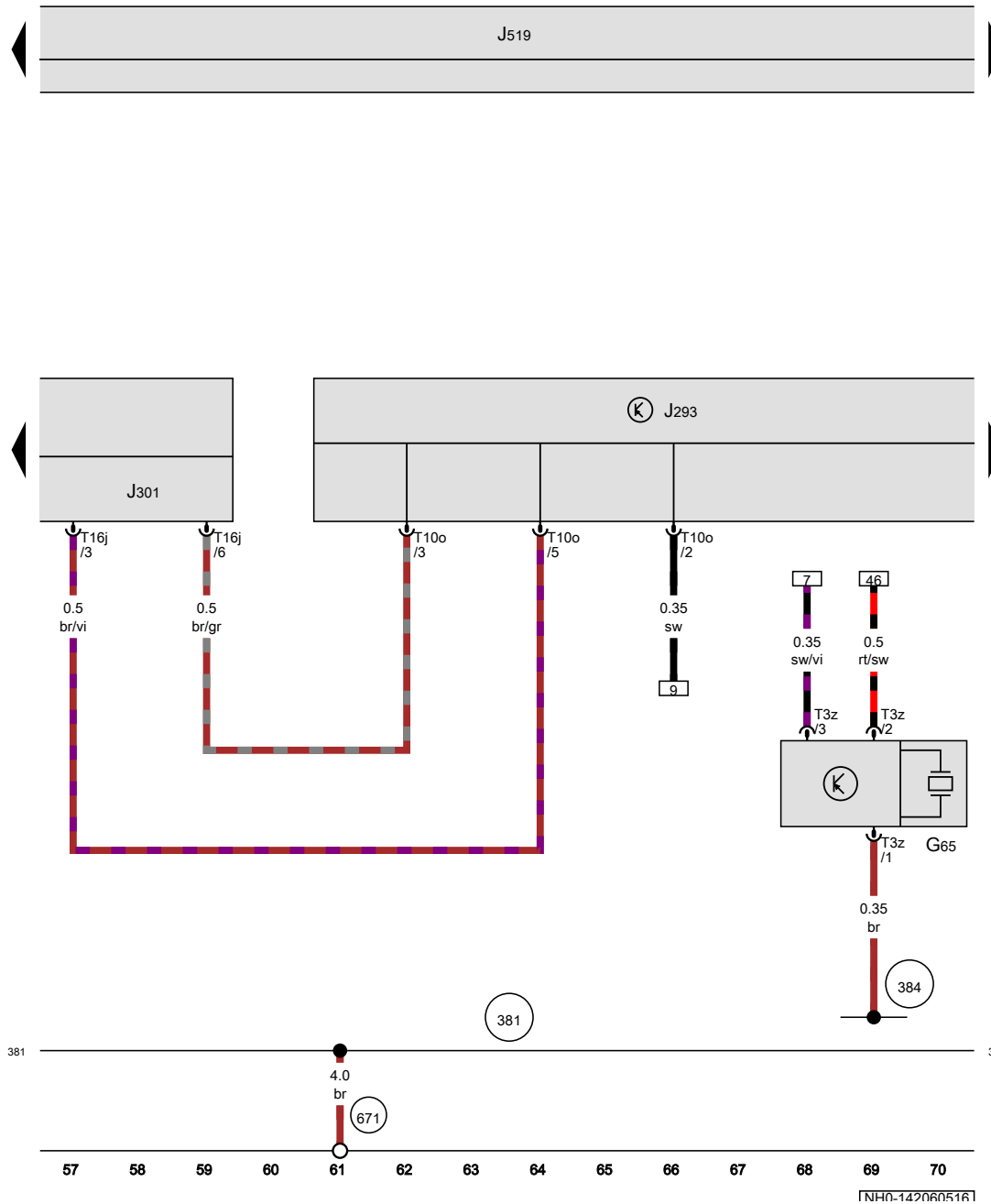
High-pressure sender, Radiator fan control unit, Air conditioning system control unit

- G65 High-pressure sender
- J293 Radiator fan control unit
- J301 Air conditioning system control unit
- J519 Onboard supply control unit
- T3z 3-pin connector
- T10o 10-pin connector
- T16j 16-pin connector

381 Earth connection 16, in main wiring harness

384 Earth connection 19, in main wiring harness

671 Earth point 1, on front of left longitudinal member



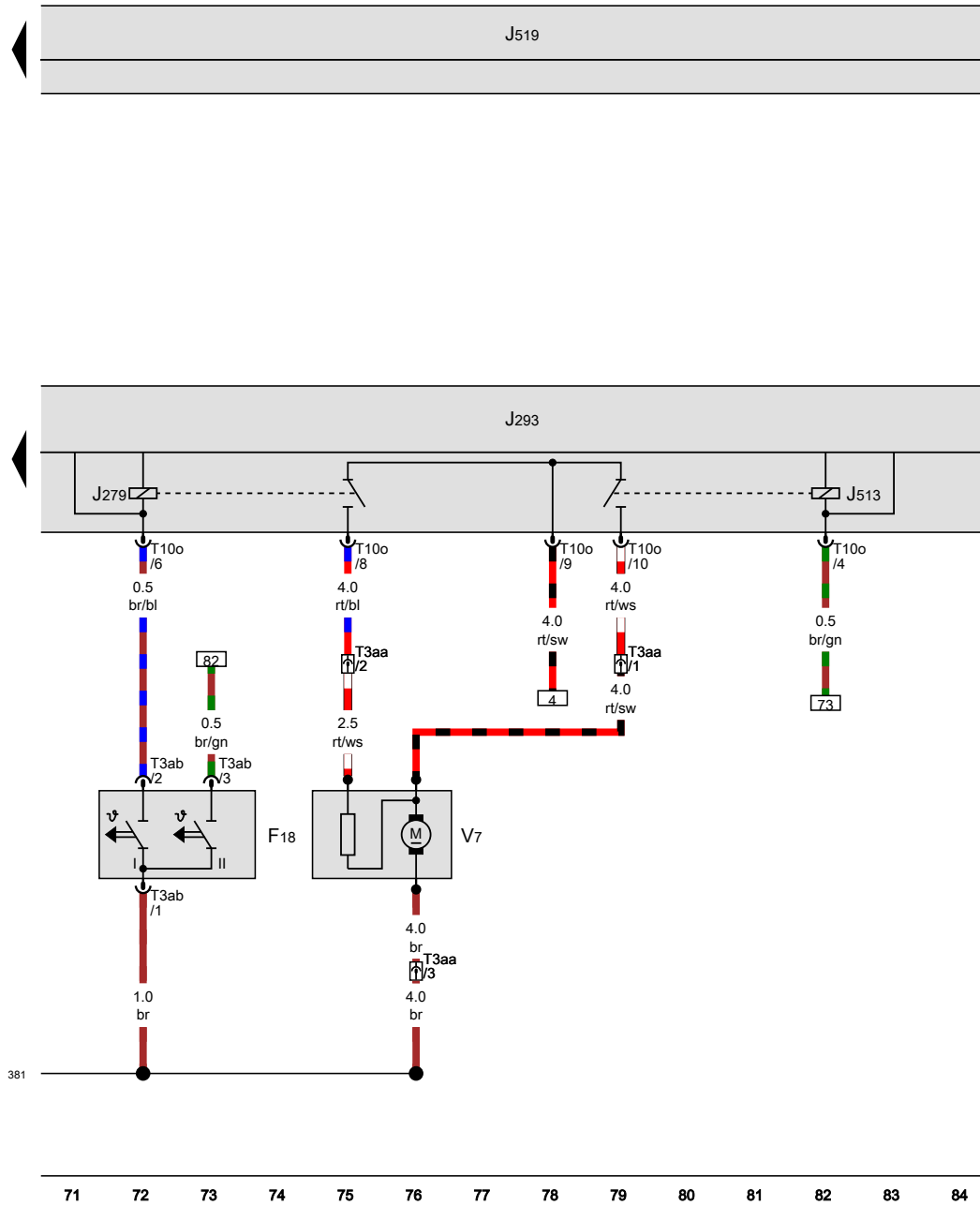
- ws = white
- sw = black
- ro = red
- rt = red
- br = brown
- gn = green
- bl = blue
- gr = grey
- li = purple
- vi = purple
- ge = yellow
- or = orange
- rs = pink

[NH0-142060516]

Radiator fan thermal switch, Radiator fan control unit, Radiator fan

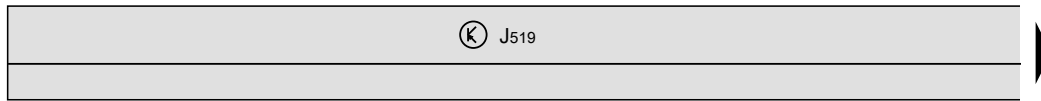
- F18 Radiator fan thermal switch
- J279 Radiator fan V7 and V35 relay - 1st speed
- J293 Radiator fan control unit
- J513 Radiator fan V7 and V35 relay, 2nd speed
- J519 Onboard supply control unit
- T3aa 3-pin connector, on radiator fan
- T3ab 3-pin connector
- T10o 10-pin connector
- V7 Radiator fan

381 Earth connection 16, in main wiring harness



- ws = white
- sw = black
- ro = red
- rt = red
- br = brown
- gn = green
- bl = blue
- gr = grey
- li = purple
- vi = purple
- ge = yellow
- or = orange
- rs = pink

Climatic , CZCA
From May 2016

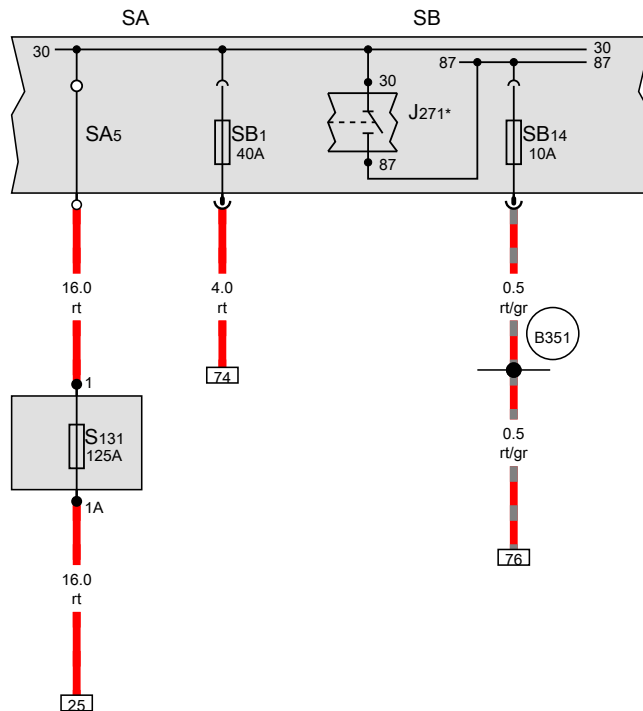


Fuse holder A, Fuse holder B

- J271 Main relay
- J519 Onboard supply control unit
- SA Fuse holder A
- SB1 Fuse 1 on fuse holder B
- SA5 Fuse 5 in fuse holder A
- S131 Fuse 1, in main wiring harness
- SB Fuse holder B
- SB14 Fuse 14 on fuse holder B

B351 Positive connection 2 (87a) in main wiring harness

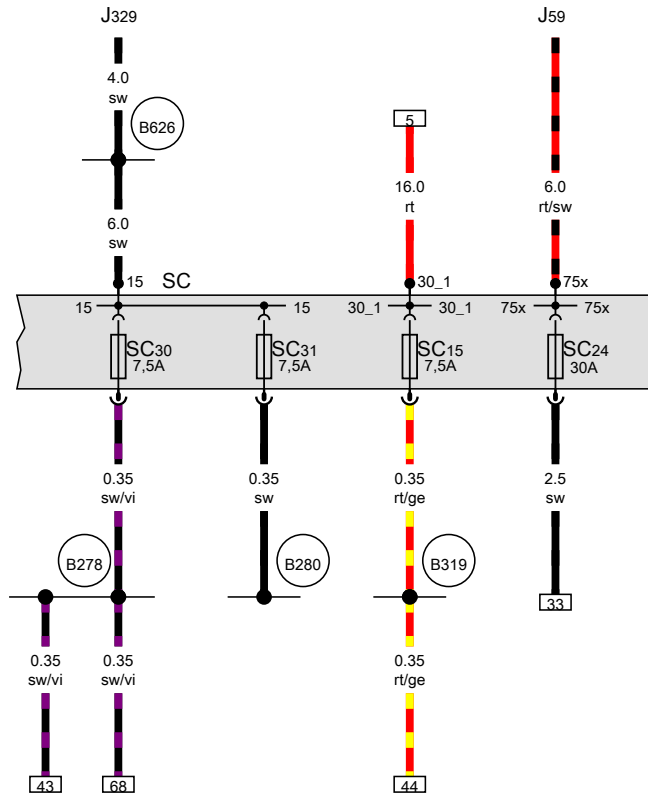
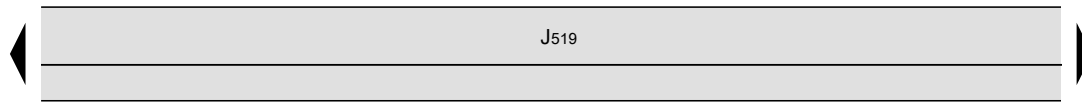
* see applicable current flow diagram for engine



- ws = white
- sw = black
- ro = red
- rt = red
- br = brown
- gn = green
- bl = blue
- gr = grey
- li = purple
- vi = purple
- ge = yellow
- or = orange
- rs = pink

1 2 3 4 5 6 7 8 9 10 11 12 13 14

[NH0-143020516]



Fuse holder C

- J59 X-contact relief relay
- J329 Terminal 15 voltage supply relay
- J519 Onboard supply control unit
- SC Fuse holder C
- SC15 Fuse 15 on fuse holder C
- SC24 Fuse 24 on fuse holder C
- SC30 Fuse 30 on fuse holder C
- SC31 Fuse 31 on fuse holder C

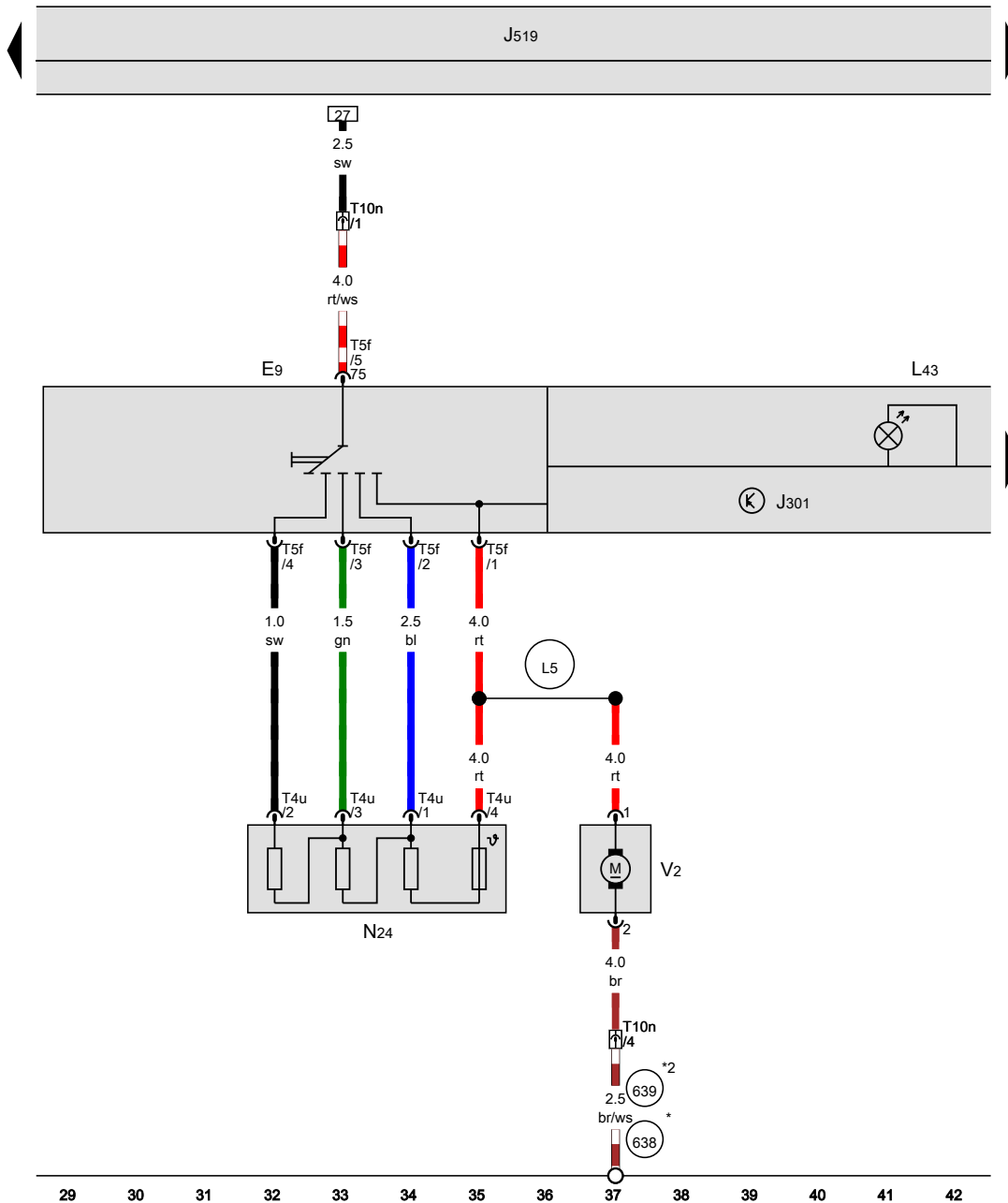
- B278 Positive connection 2 (15a) in main wiring harness
- B280 Positive connection 4 (15a) in main wiring harness
- B319 Positive connection 5 (30a) in main wiring harness
- B626 Positive connection 2 (15), in main wiring harness

- ws = white
- sw = black
- ro = red
- rt = red
- br = brown
- gn = green
- bl = blue
- gr = grey
- li = purple
- vi = purple
- ge = yellow
- or = orange
- rs = pink

15 16 17 18 19 20 21 22 23 24 25 26 27 28

[NH0-143030516]

Air conditioning system control unit, Fresh air blower series resistor with overheating fuse, Fresh air blower

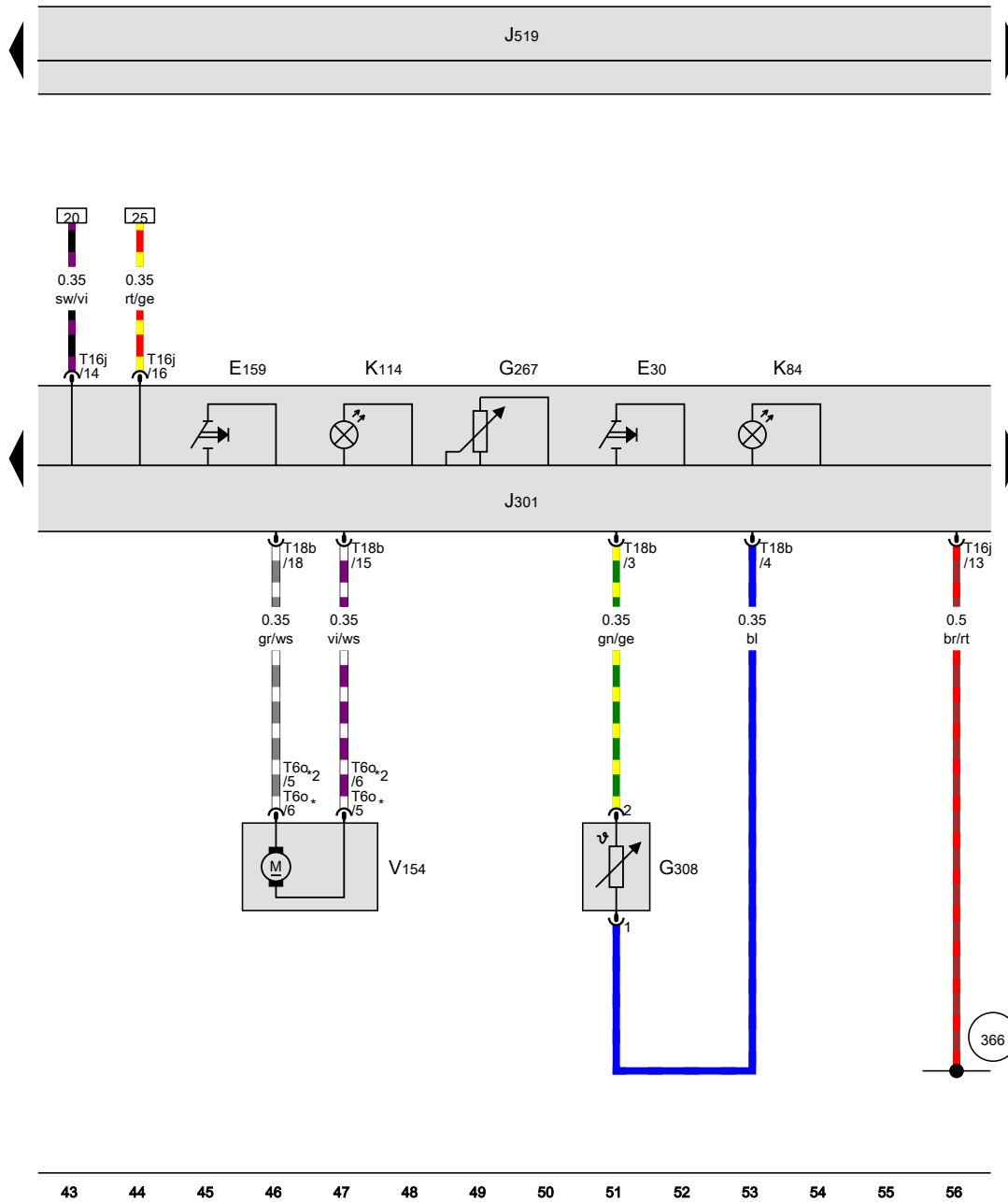


- E9 Fresh air blower switch
- J301 Air conditioning system control unit
- J519 Onboard supply control unit
- L43 Air conditioning system switch illumination bulb
- N24 Fresh air blower series resistor with overheating fuse
- T4u 4-pin connector
- T5f 5-pin connector
- T10n 10-pin connector, behind dash panel
- V2 Fresh air blower

- 638 Earth point, on right A-pillar
- 639 Earth point, left A-pillar
- L5 Connection 1, in evaporator housing unit wiring harness
- * Only left-hand drive models
- *2 Only right-hand drive models

- ws = white
- sw = black
- ro = red
- rt = red
- br = brown
- gn = green
- bl = blue
- gr = grey
- li = purple
- vi = purple
- ge = yellow
- or = orange
- rs = pink

Evaporator temperature sensor, Air conditioning system control unit, Fresh air and air recirculation flap control motor



- E30 Air conditioning system switch
- E159 Fresh air and air recirculation flap switch
- G267 Potentiometer for temperature selection rotary knob
- G308 Evaporator temperature sensor
- J301 Air conditioning system control unit
- J519 Onboard supply control unit
- K84 Air conditioning system warning lamp
- K114 Fresh air and air recirculation warning lamp
- T6o 6-pin connector
- T16j 16-pin connector
- T18b 18-pin connector
- V154 Fresh air and air recirculation flap control motor

366 Earth connection 1, in main wiring harness

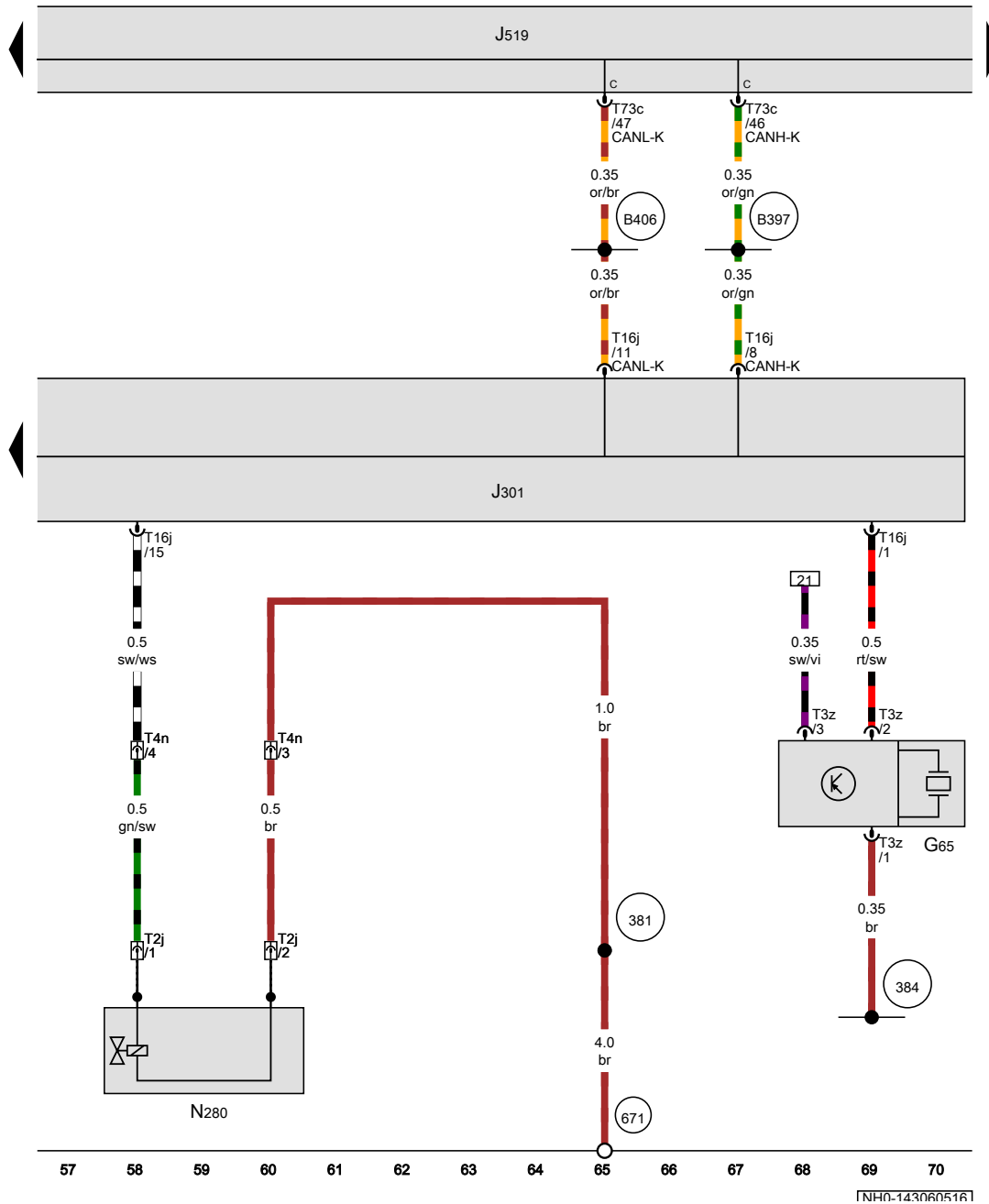
- * Only left-hand drive models
- *2 Only right-hand drive models

- ws = white
- sw = black
- ro = red
- rt = red
- br = brown
- gn = green
- bl = blue
- gr = grey
- li = purple
- vi = purple
- ge = yellow
- or = orange
- rs = pink

43 44 45 46 47 48 49 50 51 52 53 54 55 56

[NH0-143050516]

High-pressure sender, Air conditioning system control unit, Air conditioner compressor regulating valve

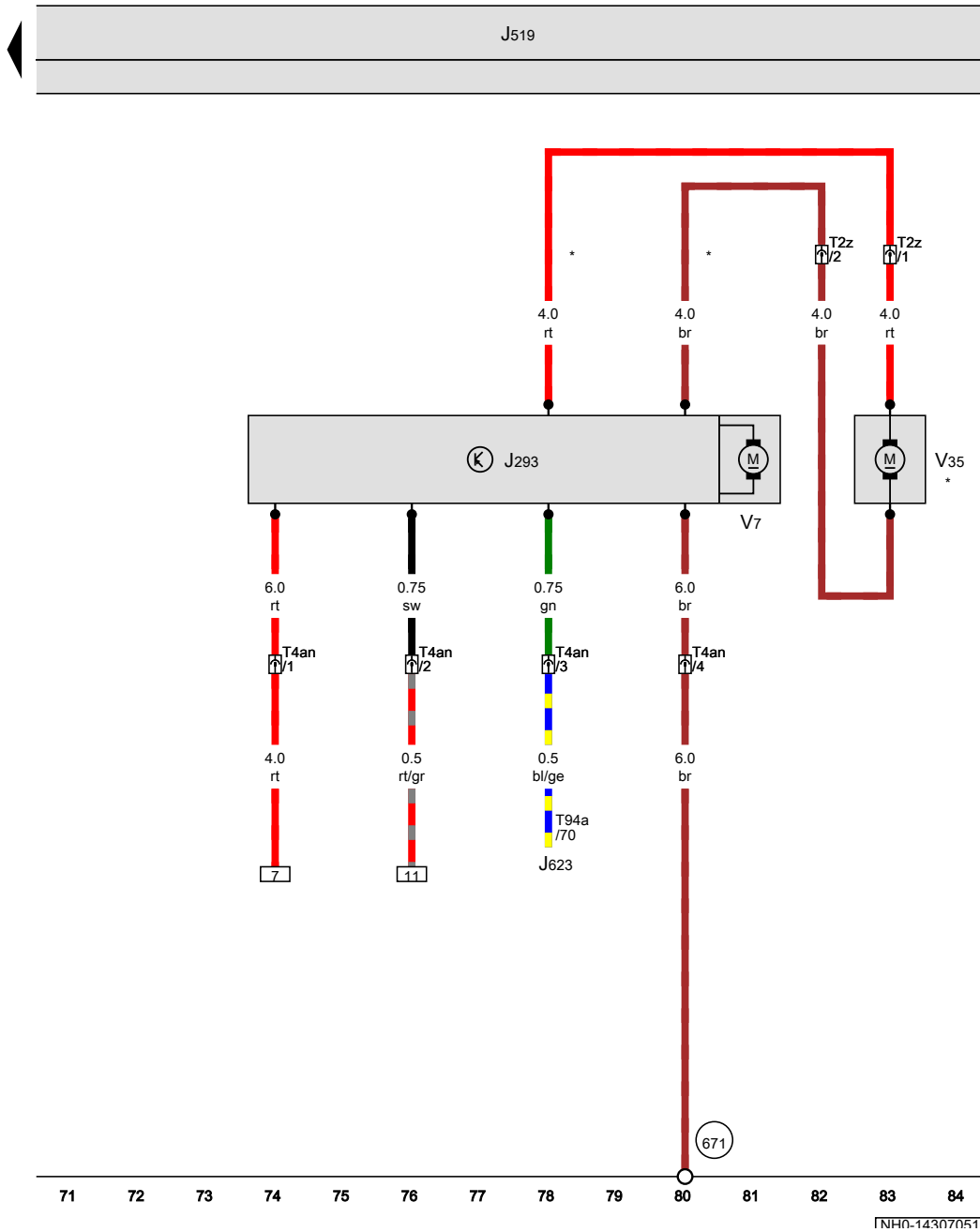


- G65 High-pressure sender
- J301 Air conditioning system control unit
- J519 Onboard supply control unit
- N280 Air conditioner compressor regulating valve
- T2j 2-pin connector
- T3z 3-pin connector
- T4n 4-pin connector, front left in engine compartment
- T16j 16-pin connector
- T73c 73-pin connector, black
- 381 Earth connection 16, in main wiring harness
- 384 Earth connection 19, in main wiring harness
- 671 Earth point 1, on front of left longitudinal member
- B397 Connection 1 (convenience CAN bus, high), in main wiring harness
- B406 Connection 1 (convenience CAN bus, low), in main wiring harness

[NH0-143060516]

Radiator fan control unit, Radiator fan, Right radiator fan

- J293 Radiator fan control unit
- J519 Onboard supply control unit
- J623 Engine control unit
- T2z 2-pin connector, on radiator fan
- T4an 4-pin connector
- T94a 94-pin connector
- V7 Radiator fan
- V35 Right radiator fan
- 671 Earth point 1, on front of left longitudinal member
- * Only models with two radiator fans



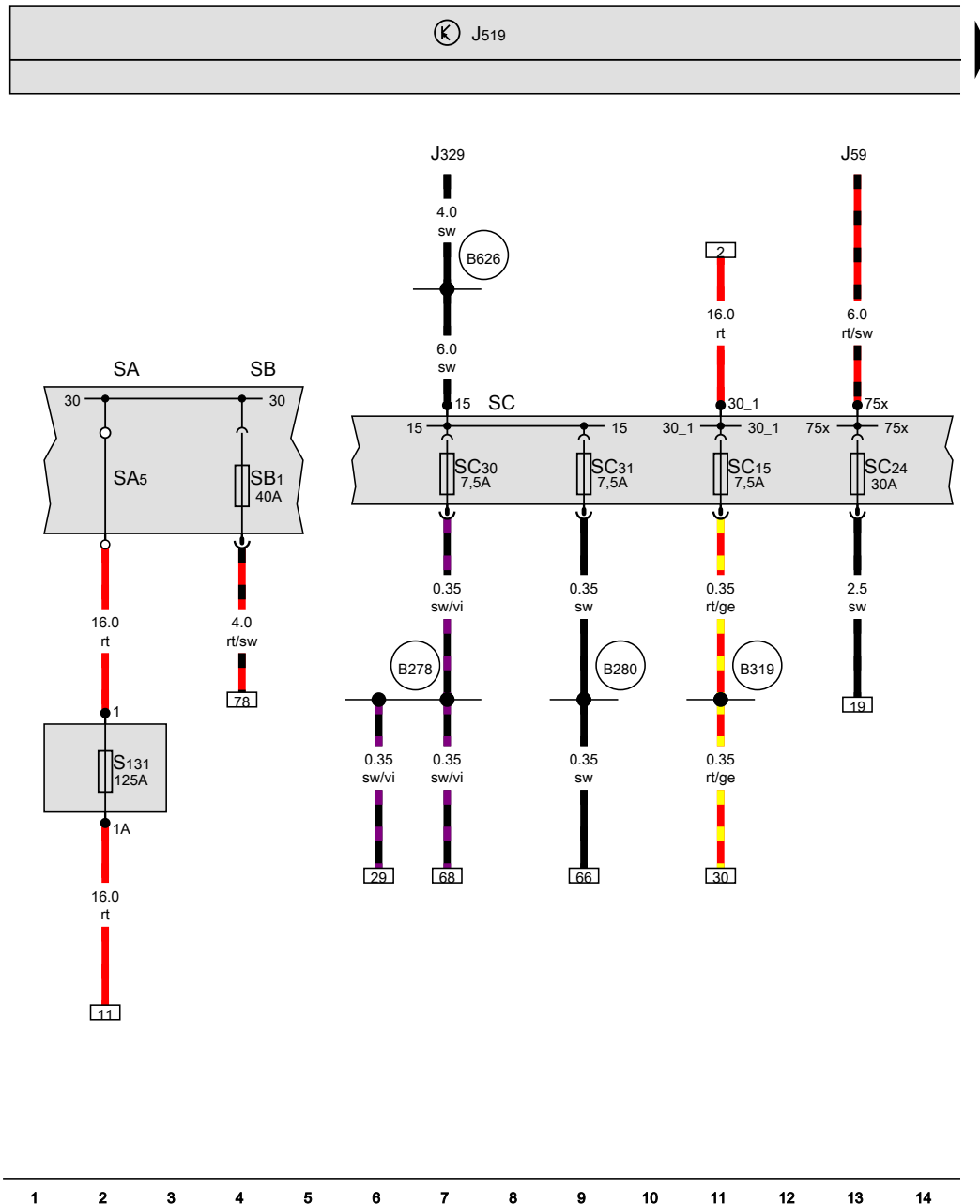
- ws = white
- sw = black
- ro = red
- rt = red
- br = brown
- gn = green
- bl = blue
- gr = grey
- li = purple
- vi = purple
- ge = yellow
- or = orange
- rs = pink

Climatic , CWVB,CWVA
From May 2016

Fuse holder A, Fuse holder B, Fuse holder C

- J59 X-contact relief relay
- J329 Terminal 15 voltage supply relay
- J519 Onboard supply control unit
- SA Fuse holder A
- SB Fuse holder B
- SB1 Fuse 1 on fuse holder B
- SA5 Fuse 5 in fuse holder A
- S131 Fuse 1, in main wiring harness
- SC Fuse holder C
- SC15 Fuse 15 on fuse holder C
- SC24 Fuse 24 on fuse holder C
- SC30 Fuse 30 on fuse holder C
- SC31 Fuse 31 on fuse holder C

- (B278) Positive connection 2 (15a) in main wiring harness
- (B280) Positive connection 4 (15a) in main wiring harness
- (B319) Positive connection 5 (30a) in main wiring harness
- (B626) Positive connection 2 (15), in main wiring harness



- ws = white
- sw = black
- ro = red
- rt = red
- br = brown
- gn = green
- bl = blue
- gr = grey
- li = purple
- vi = purple
- ge = yellow
- or = orange
- rs = pink

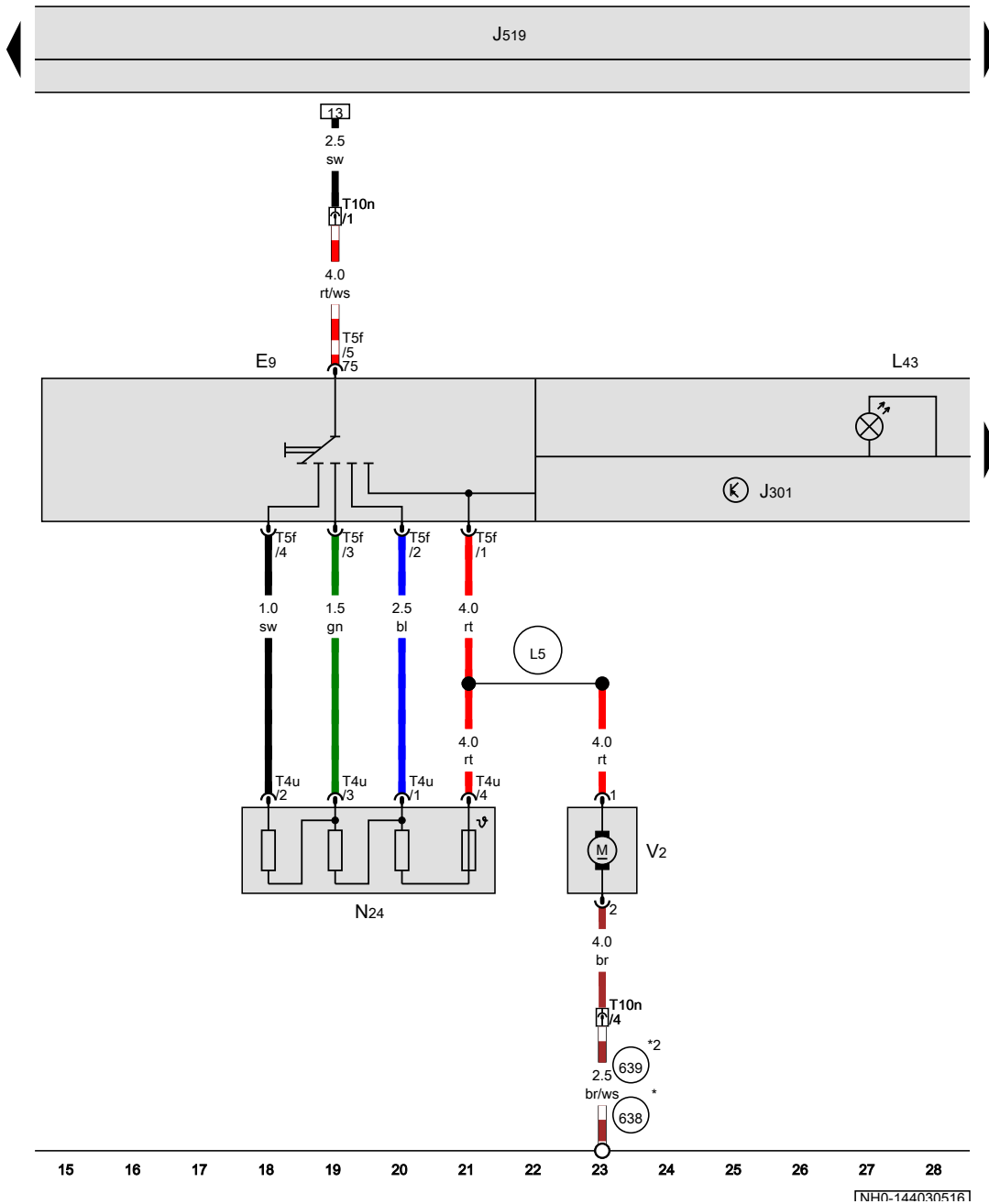
1 2 3 4 5 6 7 8 9 10 11 12 13 14

[NH0-144020516]

Air conditioning system control unit, Fresh air blower series resistor with overheating fuse, Fresh air blower

- E9 Fresh air blower switch
- J301 Air conditioning system control unit
- J519 Onboard supply control unit
- L43 Air conditioning system switch illumination bulb
- N24 Fresh air blower series resistor with overheating fuse
- T4u 4-pin connector
- T5f 5-pin connector
- T10n 10-pin connector, behind dash panel
- V2 Fresh air blower

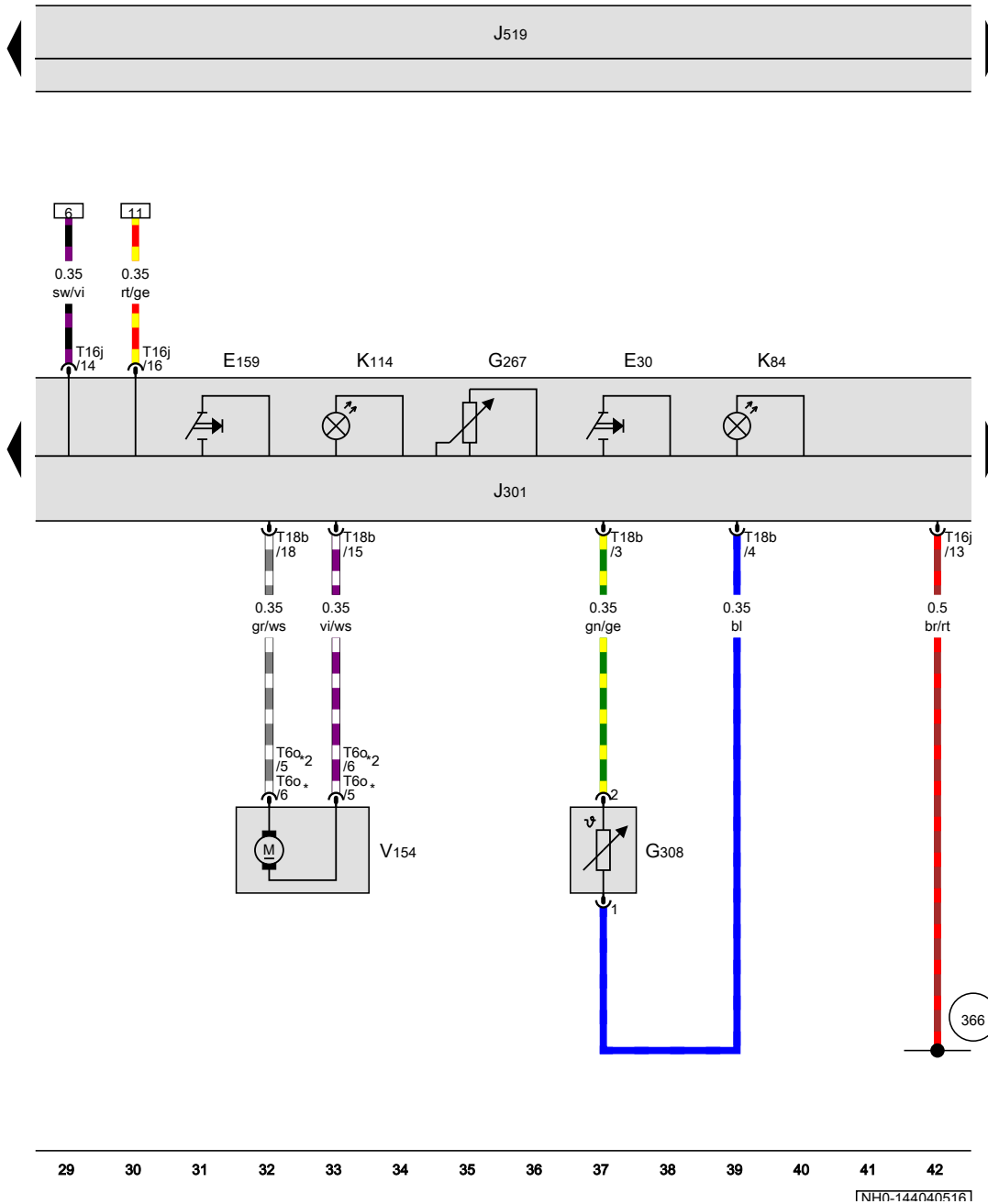
- 638 Earth point, on right A-pillar
- 639 Earth point, left A-pillar
- L5 Connection 1, in evaporator housing unit wiring harness
- * Only left-hand drive models
- *2 Only right-hand drive models



- ws = white
- sw = black
- ro = red
- rt = red
- br = brown
- gn = green
- bl = blue
- gr = grey
- li = purple
- vi = purple
- ge = yellow
- or = orange
- rs = pink

[NH0-144030516]

Evaporator temperature sensor, Air conditioning system control unit, Fresh air and air recirculation flap control motor



- E30 Air conditioning system switch
- E159 Fresh air and air recirculation flap switch
- G267 Potentiometer for temperature selection rotary knob
- G308 Evaporator temperature sensor
- J301 Air conditioning system control unit
- J519 Onboard supply control unit
- K84 Air conditioning system warning lamp
- K114 Fresh air and air recirculation warning lamp
- T6o 6-pin connector
- T16j 16-pin connector
- T18b 18-pin connector
- V154 Fresh air and air recirculation flap control motor

366 Earth connection 1, in main wiring harness

- * Only left-hand drive models
- *2 Only right-hand drive models

- ws = white
- sw = black
- ro = red
- rt = red
- br = brown
- gn = green
- bl = blue
- gr = grey
- li = purple
- vi = purple
- ge = yellow
- or = orange
- rs = pink

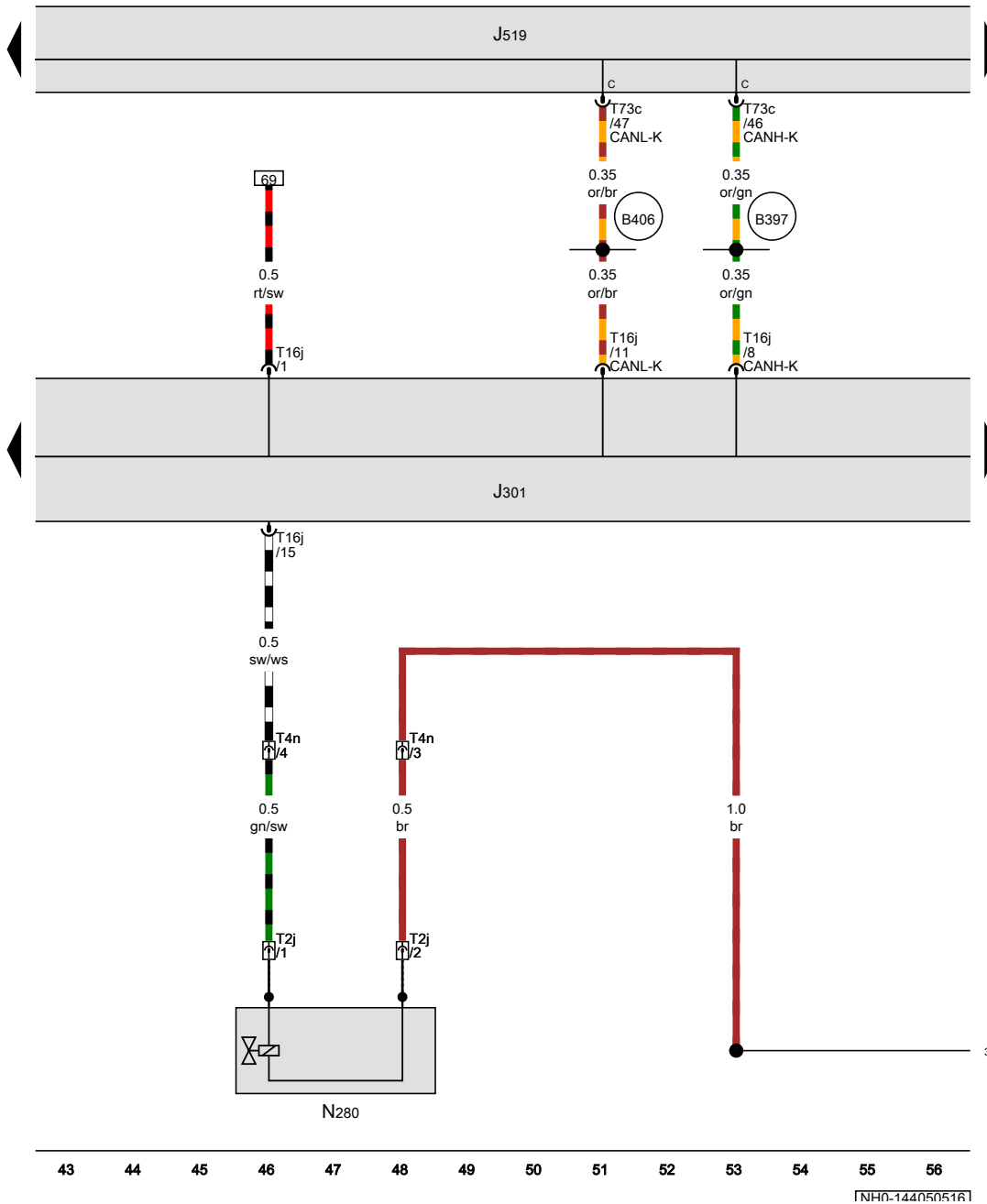
29 30 31 32 33 34 35 36 37 38 39 40 41 42

[NH-144040516]

Air conditioning system control unit, Air conditioner compressor regulating valve

- J301 Air conditioning system control unit
- J519 Onboard supply control unit
- N280 Air conditioner compressor regulating valve
- T2j 2-pin connector
- T4n 4-pin connector, front left in engine compartment
- T16j 16-pin connector
- T73c 73-pin connector, black

- 381 Earth connection 16, in main wiring harness
- B397 Connection 1 (convenience CAN bus, high), in main wiring harness
- B406 Connection 1 (convenience CAN bus, low), in main wiring harness



[NH0-144050516]

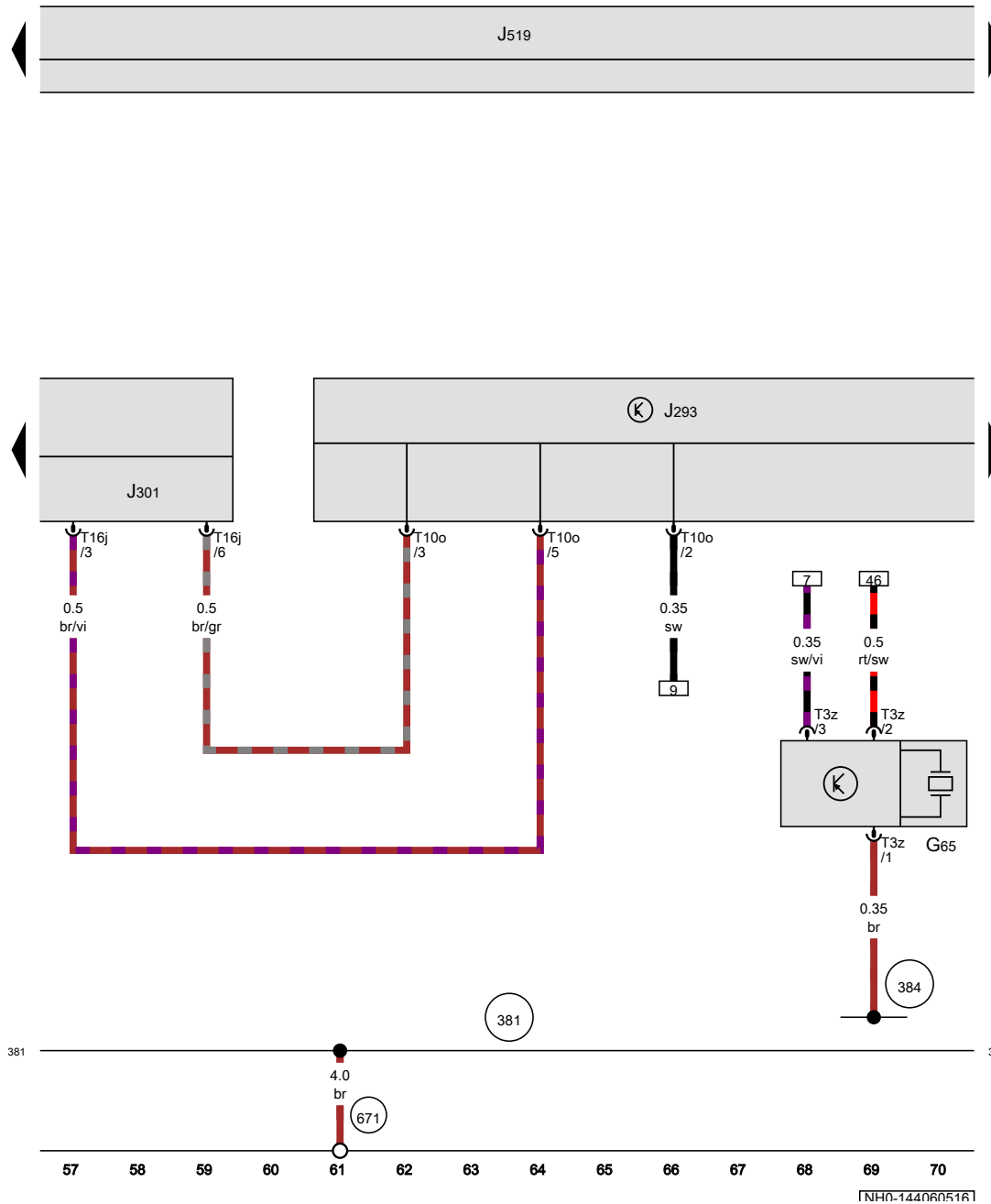
High-pressure sender, Radiator fan control unit, Air conditioning system control unit

- G65 High-pressure sender
- J293 Radiator fan control unit
- J301 Air conditioning system control unit
- J519 Onboard supply control unit
- T3z 3-pin connector
- T10o 10-pin connector
- T16j 16-pin connector

381 Earth connection 16, in main wiring harness

384 Earth connection 19, in main wiring harness

671 Earth point 1, on front of left longitudinal member



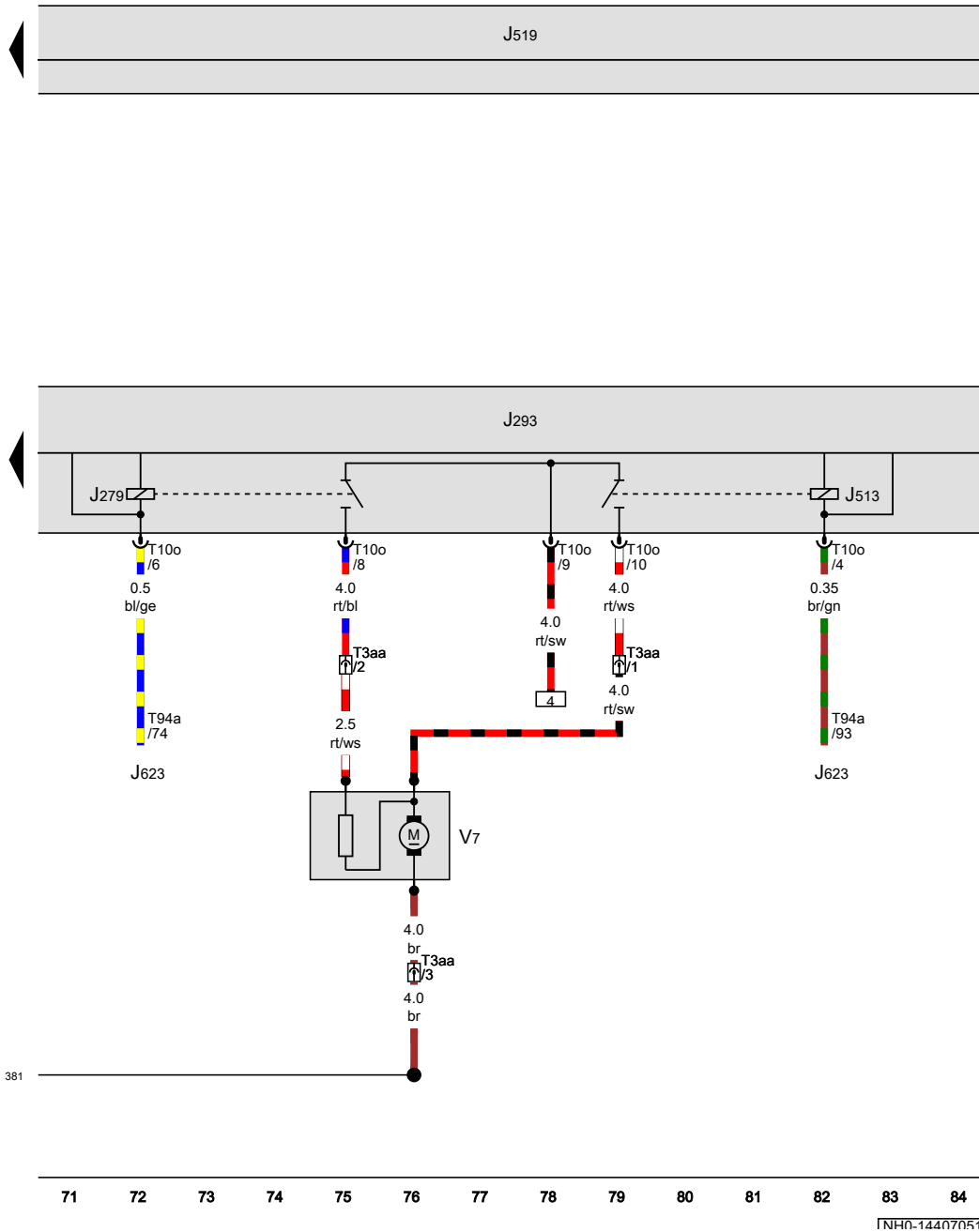
- ws = white
- sw = black
- ro = red
- rt = red
- br = brown
- gn = green
- bl = blue
- gr = grey
- li = purple
- vi = purple
- ge = yellow
- or = orange
- rs = pink

[NH0-144060516]

Radiator fan control unit, Radiator fan

- J279 Radiator fan V7 and V35 relay - 1st speed
- J293 Radiator fan control unit
- J513 Radiator fan V7 and V35 relay, 2nd speed
- J519 Onboard supply control unit
- J623 Engine control unit
- T3aa 3-pin connector, on radiator fan
- T10o 10-pin connector
- T94a 94-pin connector
- V7 Radiator fan

381 Earth connection 16, in main wiring harness



- ws = white
- sw = black
- ro = red
- rt = red
- br = brown
- gn = green
- bl = blue
- gr = grey
- li = purple
- vi = purple
- ge = yellow
- or = orange
- rs = pink

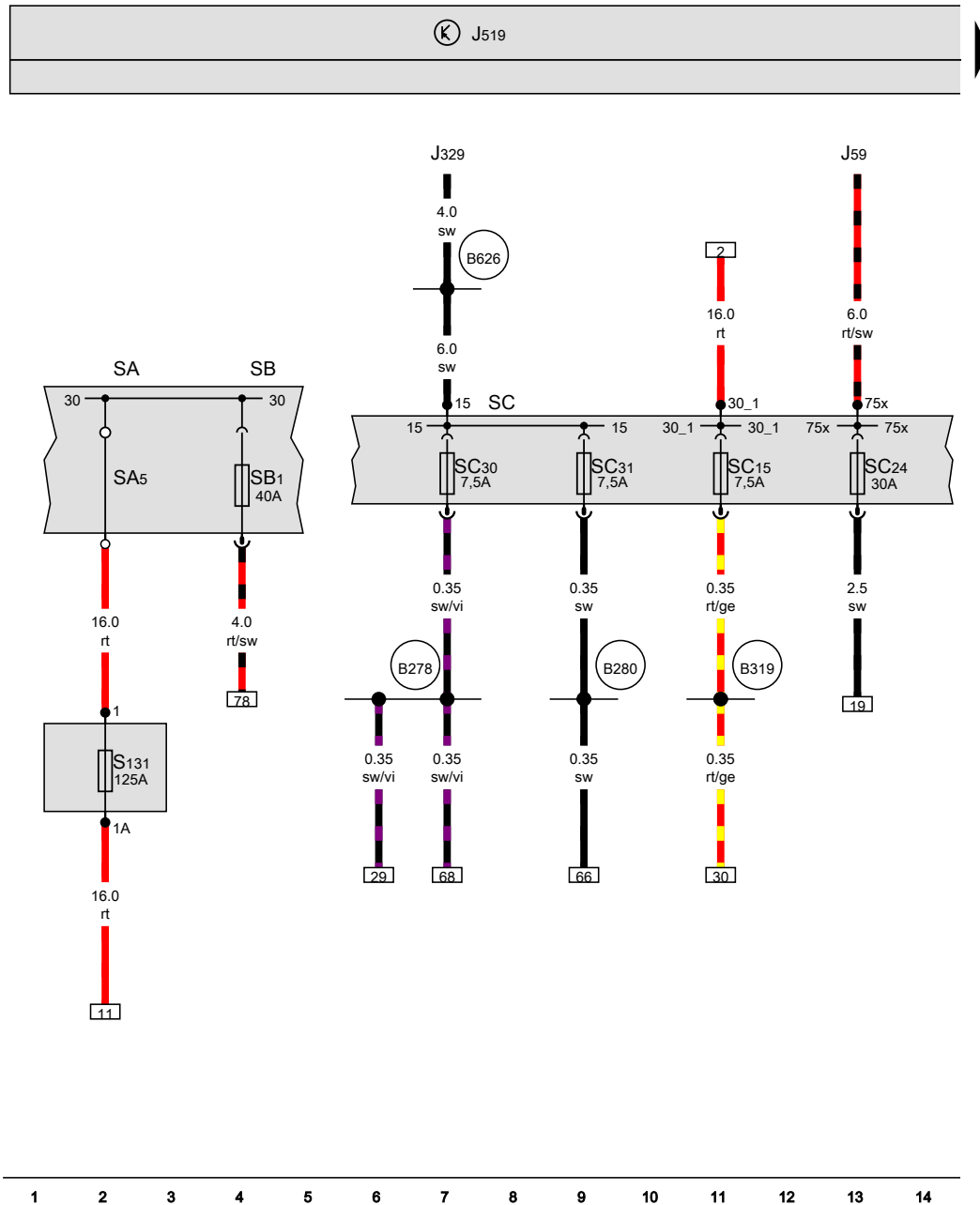
[NH0-144070516]

Climatic , CUSB
From May 2016

Fuse holder A, Fuse holder B, Fuse holder C

- J59 X-contact relief relay
- J329 Terminal 15 voltage supply relay
- J519 Onboard supply control unit
- SA Fuse holder A
- SB Fuse holder B
- SB1 Fuse 1 on fuse holder B
- SA5 Fuse 5 in fuse holder A
- S131 Fuse 1, in main wiring harness
- SC Fuse holder C
- SC15 Fuse 15 on fuse holder C
- SC24 Fuse 24 on fuse holder C
- SC30 Fuse 30 on fuse holder C
- SC31 Fuse 31 on fuse holder C

- (B278) Positive connection 2 (15a) in main wiring harness
- (B280) Positive connection 4 (15a) in main wiring harness
- (B319) Positive connection 5 (30a) in main wiring harness
- (B626) Positive connection 2 (15), in main wiring harness

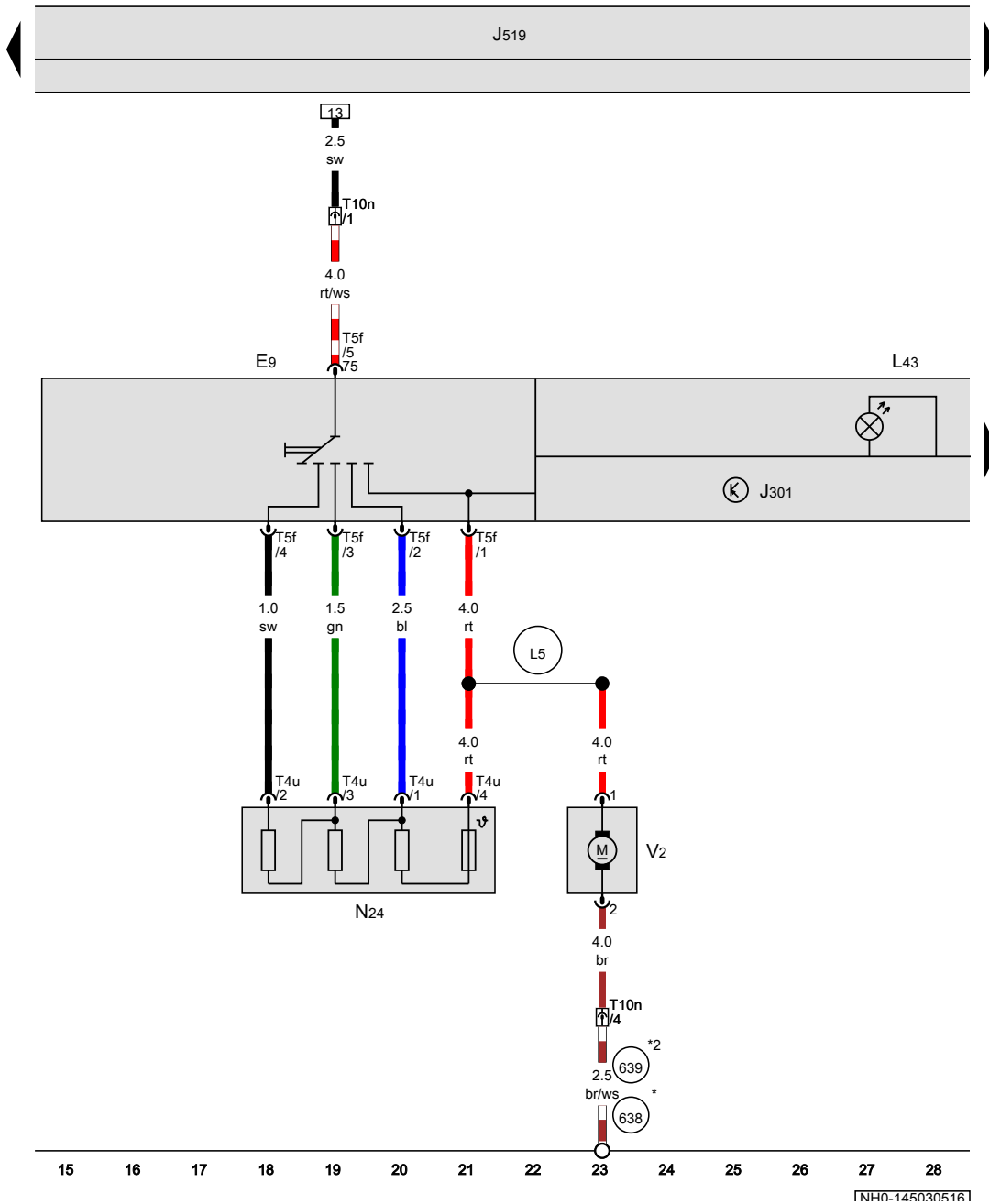


[NH0-145020516]

Air conditioning system control unit, Fresh air blower series resistor with overheating fuse, Fresh air blower

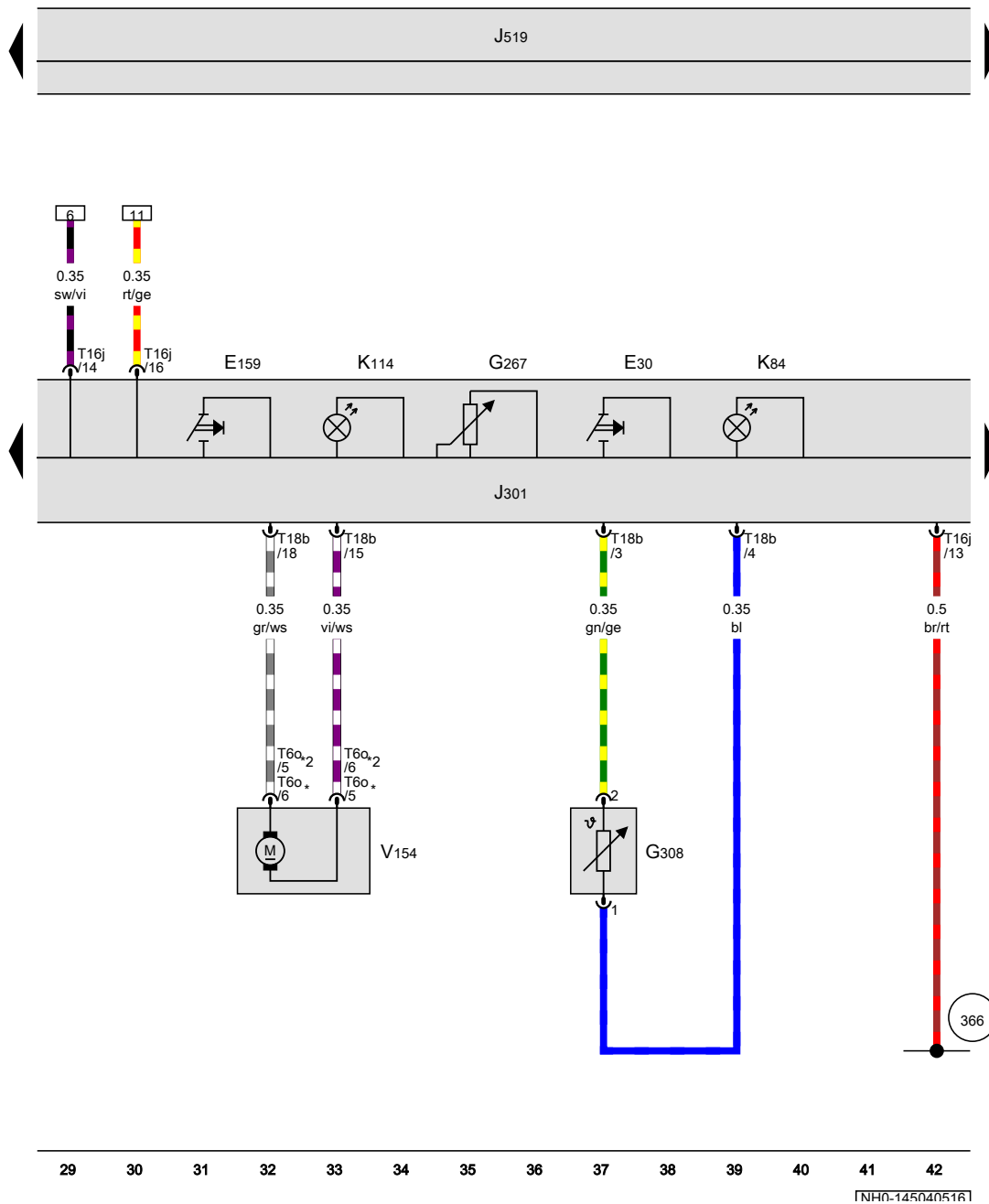
- E9 Fresh air blower switch
- J301 Air conditioning system control unit
- J519 Onboard supply control unit
- L43 Air conditioning system switch illumination bulb
- N24 Fresh air blower series resistor with overheating fuse
- T4u 4-pin connector
- T5f 5-pin connector
- T10n 10-pin connector, behind dash panel
- V2 Fresh air blower

- 638 Earth point, on right A-pillar
- 639 Earth point, left A-pillar
- L5 Connection 1, in evaporator housing unit wiring harness
- * Only left-hand drive models
- *2 Only right-hand drive models



- ws = white
- sw = black
- ro = red
- rt = red
- br = brown
- gn = green
- bl = blue
- gr = grey
- li = purple
- vi = purple
- ge = yellow
- or = orange
- rs = pink

Evaporator temperature sensor, Air conditioning system control unit, Fresh air and air recirculation flap control motor



- E30 Air conditioning system switch
- E159 Fresh air and air recirculation flap switch
- G267 Potentiometer for temperature selection rotary knob
- G308 Evaporator temperature sensor
- J301 Air conditioning system control unit
- J519 Onboard supply control unit
- K84 Air conditioning system warning lamp
- K114 Fresh air and air recirculation warning lamp
- T6o 6-pin connector
- T16j 16-pin connector
- T18b 18-pin connector
- V154 Fresh air and air recirculation flap control motor

366 Earth connection 1, in main wiring harness

- * Only left-hand drive models
- *2 Only right-hand drive models

- ws = white
- sw = black
- ro = red
- rt = red
- br = brown
- gn = green
- bl = blue
- gr = grey
- li = purple
- vi = purple
- ge = yellow
- or = orange
- rs = pink

29 30 31 32 33 34 35 36 37 38 39 40 41 42

[NH0-145040516]

Air conditioning system control unit, Air conditioner compressor regulating valve

J301 Air conditioning system control unit

J519 Onboard supply control unit

N280 Air conditioner compressor regulating valve

T2j 2-pin connector

T4n 4-pin connector, front left in engine compartment

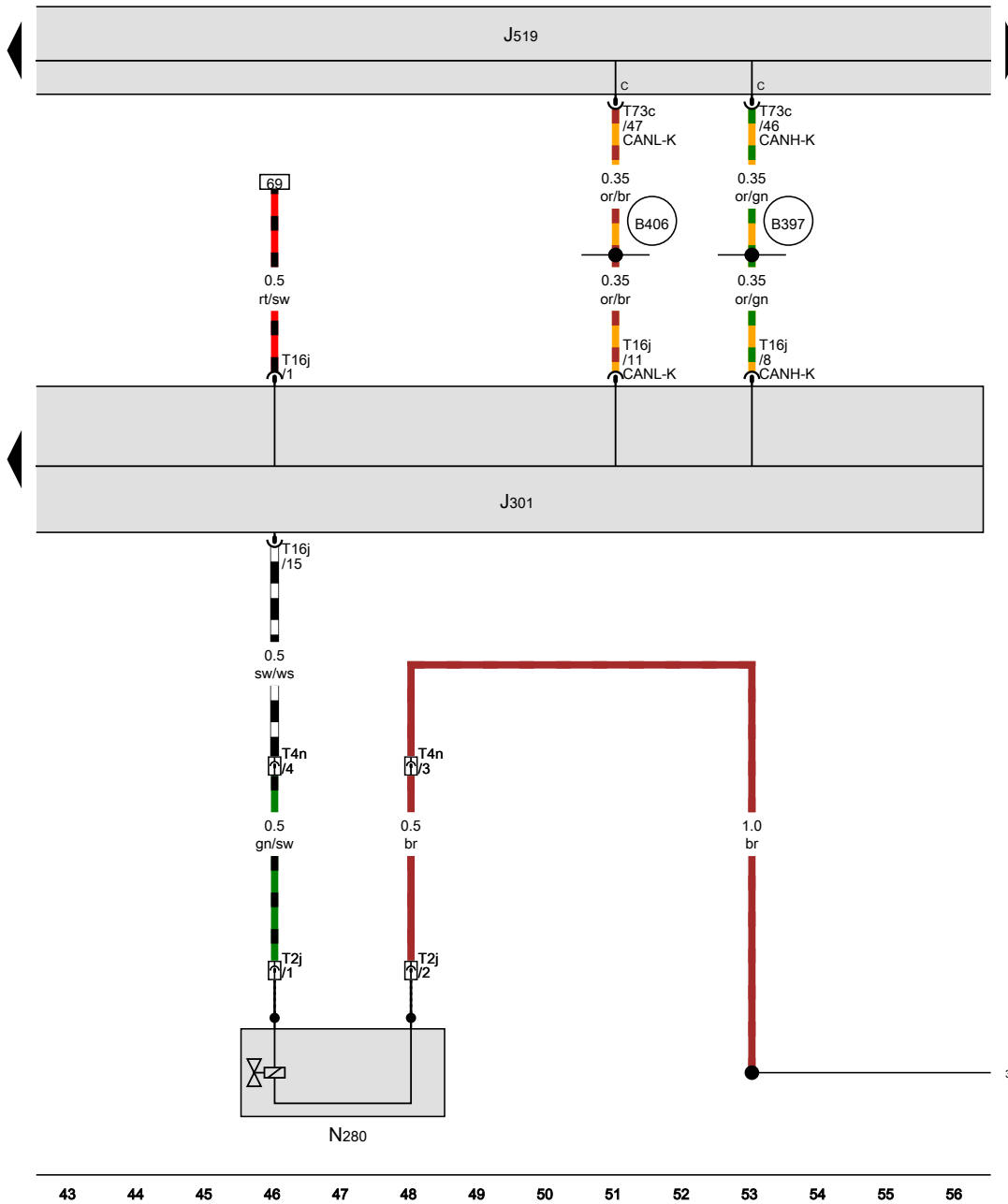
T16j 16-pin connector

T73c 73-pin connector, black

381 Earth connection 16, in main wiring harness

B397 Connection 1 (convenience CAN bus, high), in main wiring harness

B406 Connection 1 (convenience CAN bus, low), in main wiring harness



- ws = white
- sw = black
- ro = red
- rt = red
- br = brown
- gn = green
- bl = blue
- gr = grey
- li = purple
- vi = purple
- ge = yellow
- or = orange
- rs = pink

[NH0-145050516]

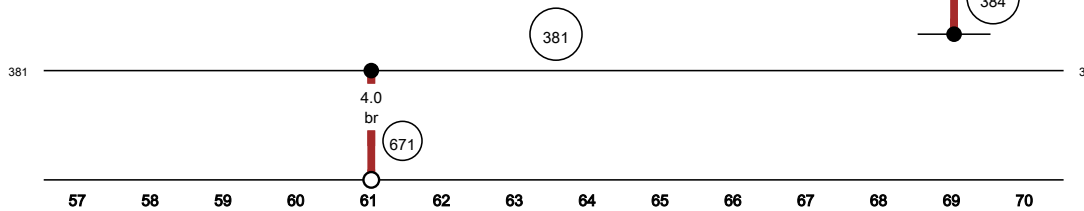
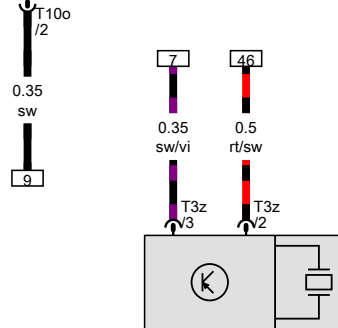
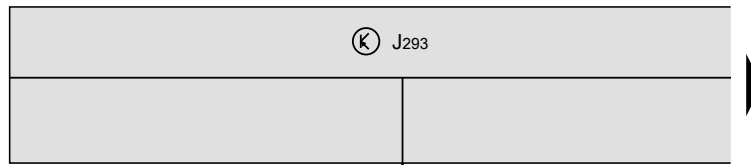
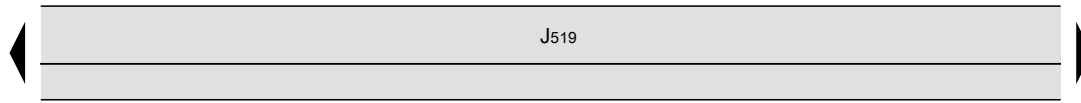
High-pressure sender, Radiator fan control unit

- G65 High-pressure sender
- J293 Radiator fan control unit
- J519 Onboard supply control unit
- T3z 3-pin connector
- T10o 10-pin connector

381 Earth connection 16, in main wiring harness

384 Earth connection 19, in main wiring harness

671 Earth point 1, on front of left longitudinal member



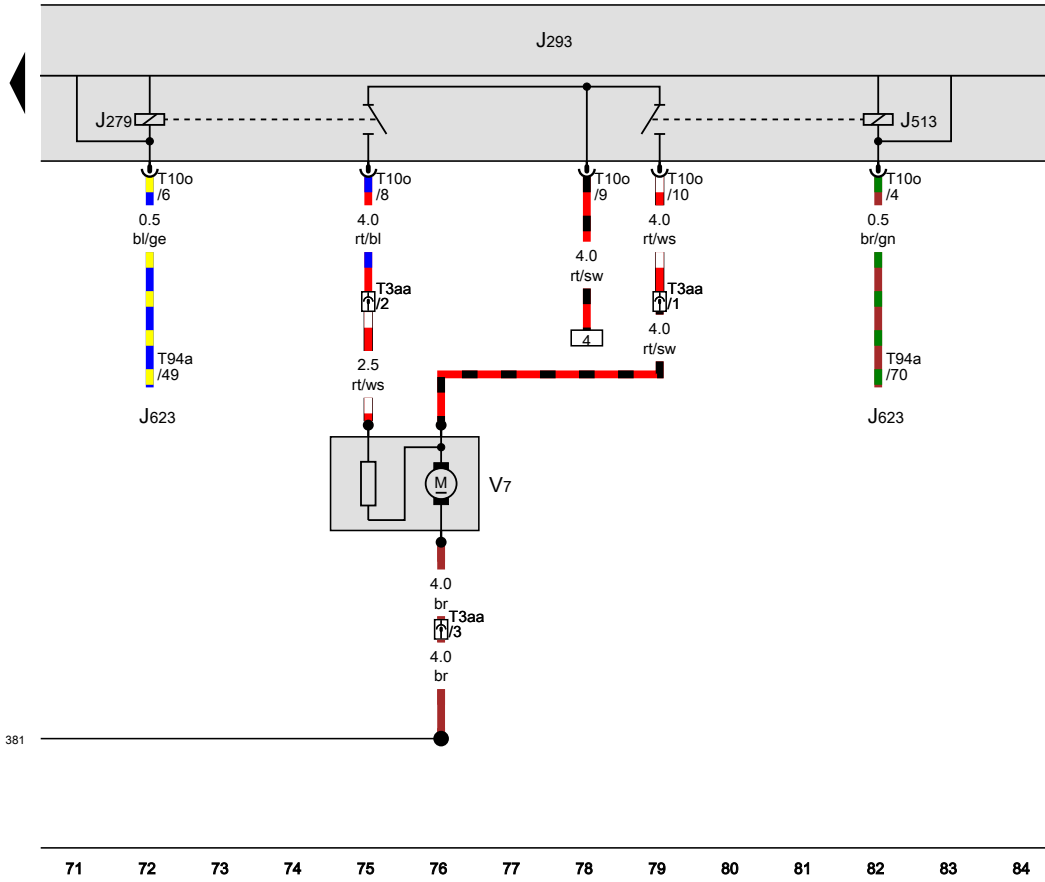
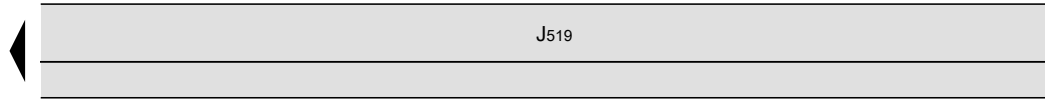
- ws = white
- sw = black
- ro = red
- rt = red
- br = brown
- gn = green
- bl = blue
- gr = grey
- li = purple
- vi = purple
- ge = yellow
- or = orange
- rs = pink

[NH0-145060516]

Radiator fan control unit, Radiator fan

- J279 Radiator fan V7 and V35 relay - 1st speed
- J293 Radiator fan control unit
- J513 Radiator fan V7 and V35 relay, 2nd speed
- J519 Onboard supply control unit
- J623 Engine control unit
- T3aa 3-pin connector, on radiator fan
- T10o 10-pin connector
- T94a 94-pin connector
- V7 Radiator fan

381 Earth connection 16, in main wiring harness



- ws = white
- sw = black
- ro = red
- rt = red
- br = brown
- gn = green
- bl = blue
- gr = grey
- li = purple
- vi = purple
- ge = yellow
- or = orange
- rs = pink

71 72 73 74 75 76 77 78 79 80 81 82 83 84

[NH0-145070516]

Climatic , CXMA
From May 2016

Battery, Fuse holder B, Fuse holder D

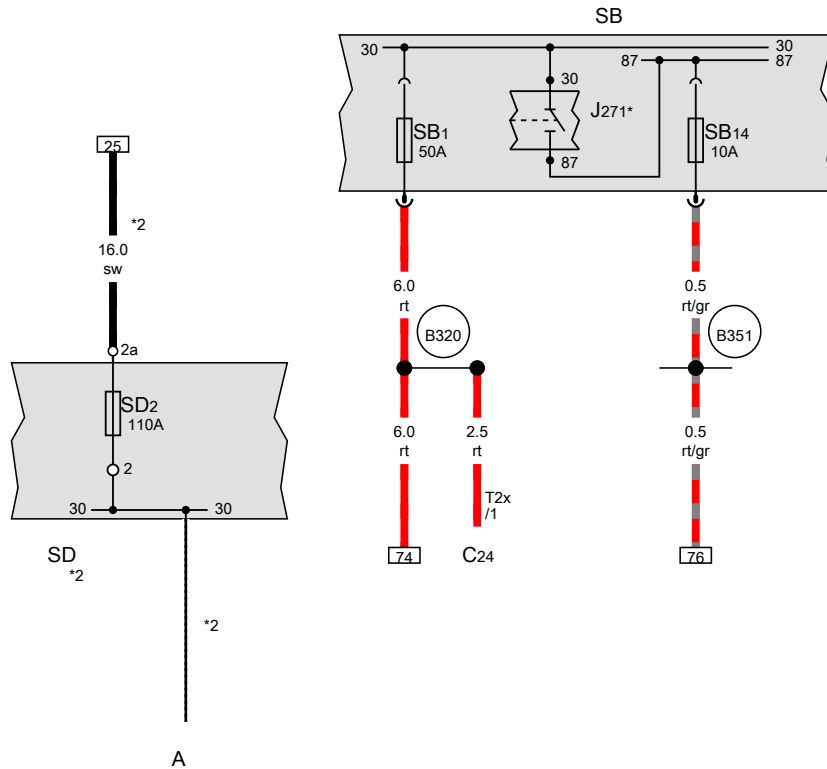
- A Battery
- C24 Suppression filter
- J271 Main relay
- J519 Onboard supply control unit
- SB Fuse holder B
- SB1 Fuse 1 on fuse holder B
- SD2 Fuse 2 on fuse holder D
- SB14 Fuse 14 on fuse holder B
- SD Fuse holder D
- T2x 2-pin connector

B320 Positive connection 6 (30a) in main wiring harness

B351 Positive connection 2 (87a) in main wiring harness

* see applicable current flow diagram for engine

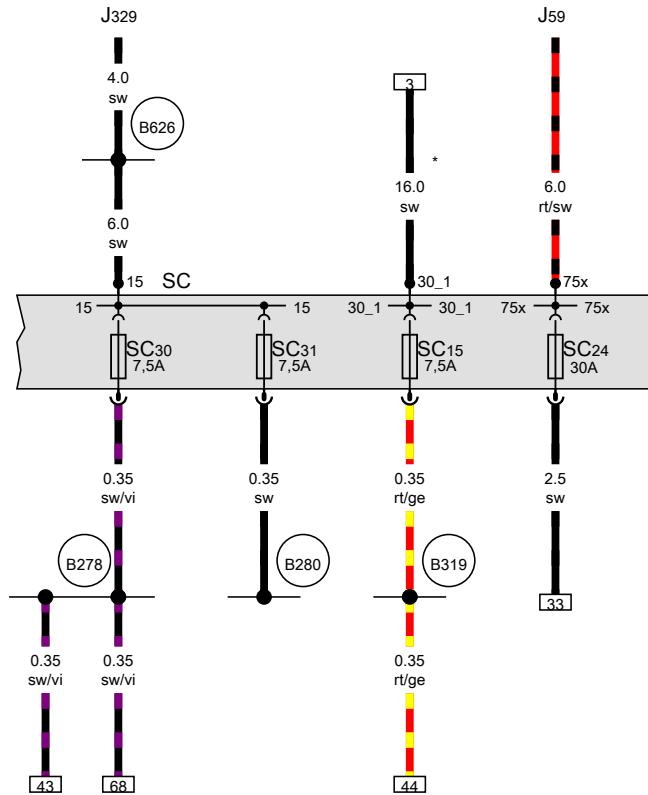
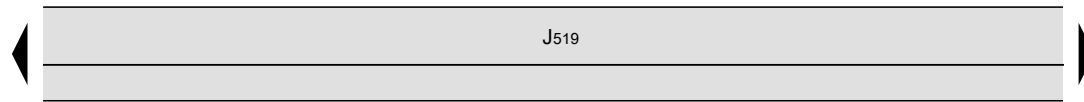
*2 Only models with battery in luggage compartment



- ws = white
- sw = black
- ro = red
- rt = red
- br = brown
- gn = green
- bl = blue
- gr = grey
- li = purple
- vi = purple
- ge = yellow
- or = orange
- rs = pink

1 2 3 4 5 6 7 8 9 10 11 12 13 14

[NH0-146020516]



Fuse holder C

- J59 X-contact relief relay
- J329 Terminal 15 voltage supply relay
- J519 Onboard supply control unit
- SC Fuse holder C
- SC15 Fuse 15 on fuse holder C
- SC24 Fuse 24 on fuse holder C
- SC30 Fuse 30 on fuse holder C
- SC31 Fuse 31 on fuse holder C

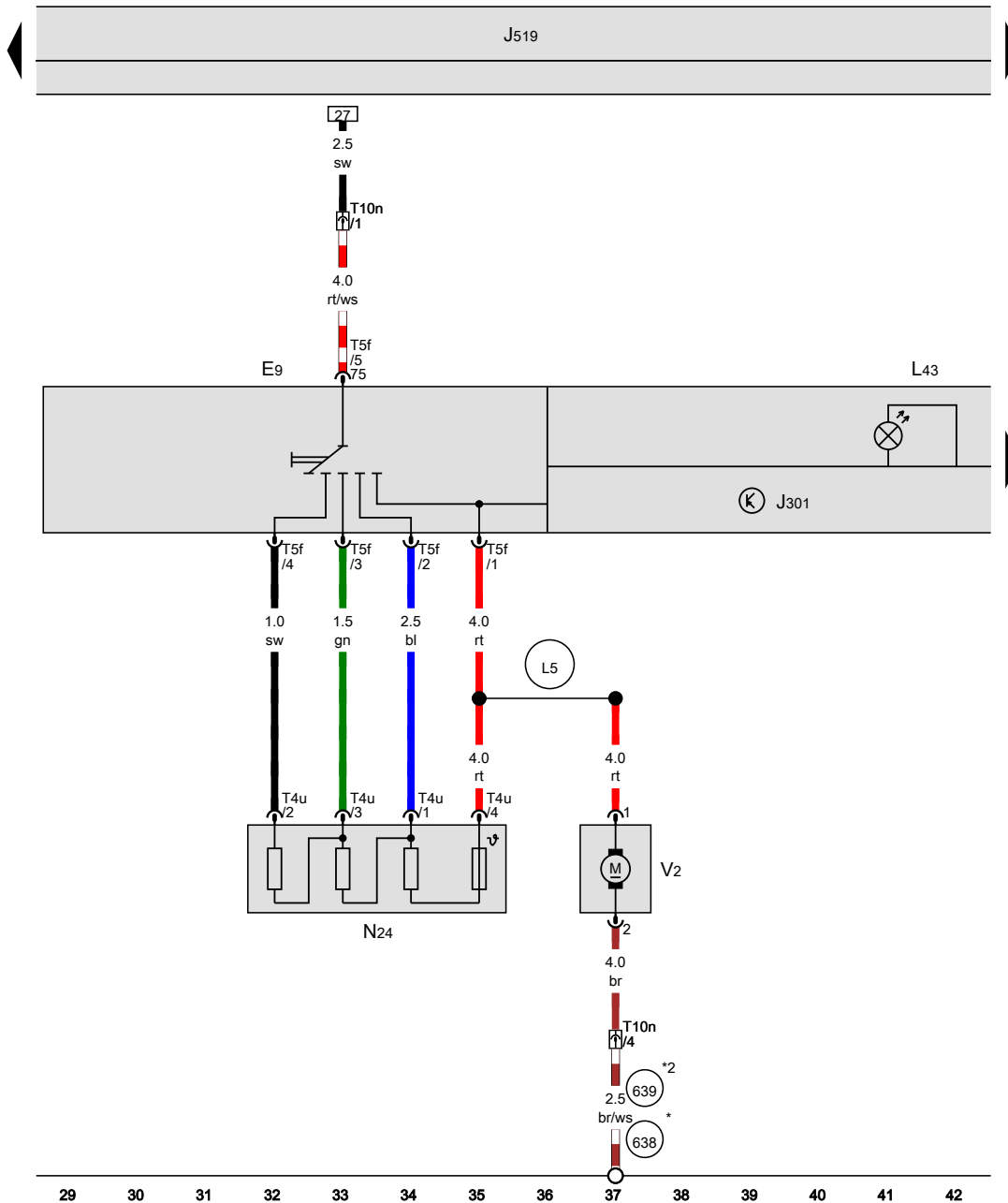
- (B278) Positive connection 2 (15a) in main wiring harness
- (B280) Positive connection 4 (15a) in main wiring harness
- (B319) Positive connection 5 (30a) in main wiring harness
- (B626) Positive connection 2 (15), in main wiring harness
- * Only models with battery in luggage compartment

- ws = white
- sw = black
- ro = red
- rt = red
- br = brown
- gn = green
- bl = blue
- gr = grey
- li = purple
- vi = purple
- ge = yellow
- or = orange
- rs = pink

15 16 17 18 19 20 21 22 23 24 25 26 27 28

[NH0-146030516]

Air conditioning system control unit, Fresh air blower series resistor with overheating fuse, Fresh air blower



- E9 Fresh air blower switch
- J301 Air conditioning system control unit
- J519 Onboard supply control unit
- L43 Air conditioning system switch illumination bulb
- N24 Fresh air blower series resistor with overheating fuse
- T4u 4-pin connector
- T5f 5-pin connector
- T10n 10-pin connector, behind dash panel
- V2 Fresh air blower

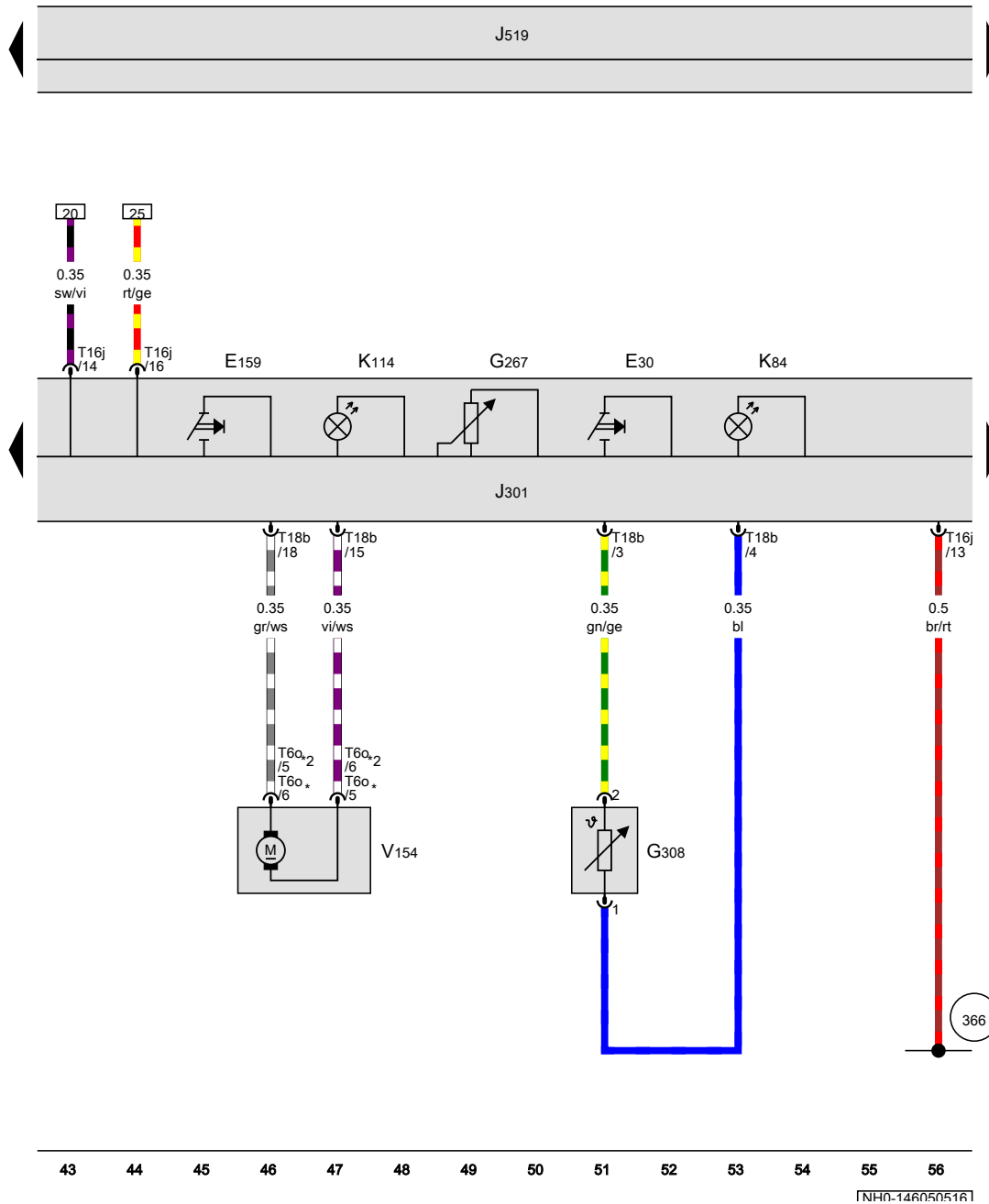
- 638 Earth point, on right A-pillar
- 639 Earth point, left A-pillar
- L5 Connection 1, in evaporator housing unit wiring harness
- * Only left-hand drive models
- *2 Only right-hand drive models

- ws = white
- sw = black
- ro = red
- rt = red
- br = brown
- gn = green
- bl = blue
- gr = grey
- li = purple
- vi = purple
- ge = yellow
- or = orange
- rs = pink

29 30 31 32 33 34 35 36 37 38 39 40 41 42

[NH0-146040516]

Evaporator temperature sensor, Air conditioning system control unit, Fresh air and air recirculation flap control motor



- E30 Air conditioning system switch
- E159 Fresh air and air recirculation flap switch
- G267 Potentiometer for temperature selection rotary knob
- G308 Evaporator temperature sensor
- J301 Air conditioning system control unit
- J519 Onboard supply control unit
- K84 Air conditioning system warning lamp
- K114 Fresh air and air recirculation warning lamp
- T6o 6-pin connector
- T16j 16-pin connector
- T18b 18-pin connector
- V154 Fresh air and air recirculation flap control motor

366 Earth connection 1, in main wiring harness

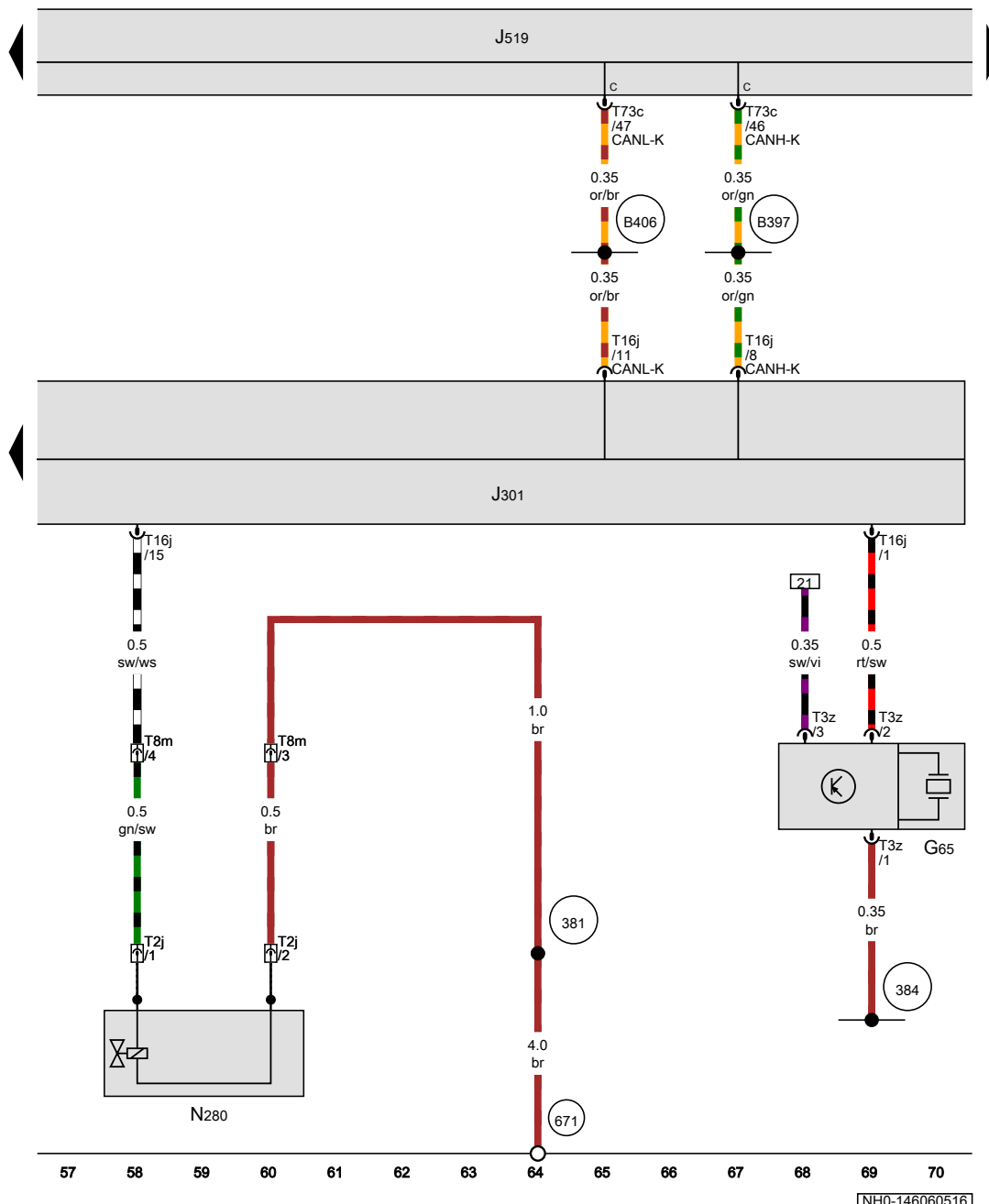
* Only left-hand drive models

*2 Only right-hand drive models

43 44 45 46 47 48 49 50 51 52 53 54 55 56

[NH0-146050516]

High-pressure sender, Air conditioning system control unit, Air conditioner compressor regulating valve

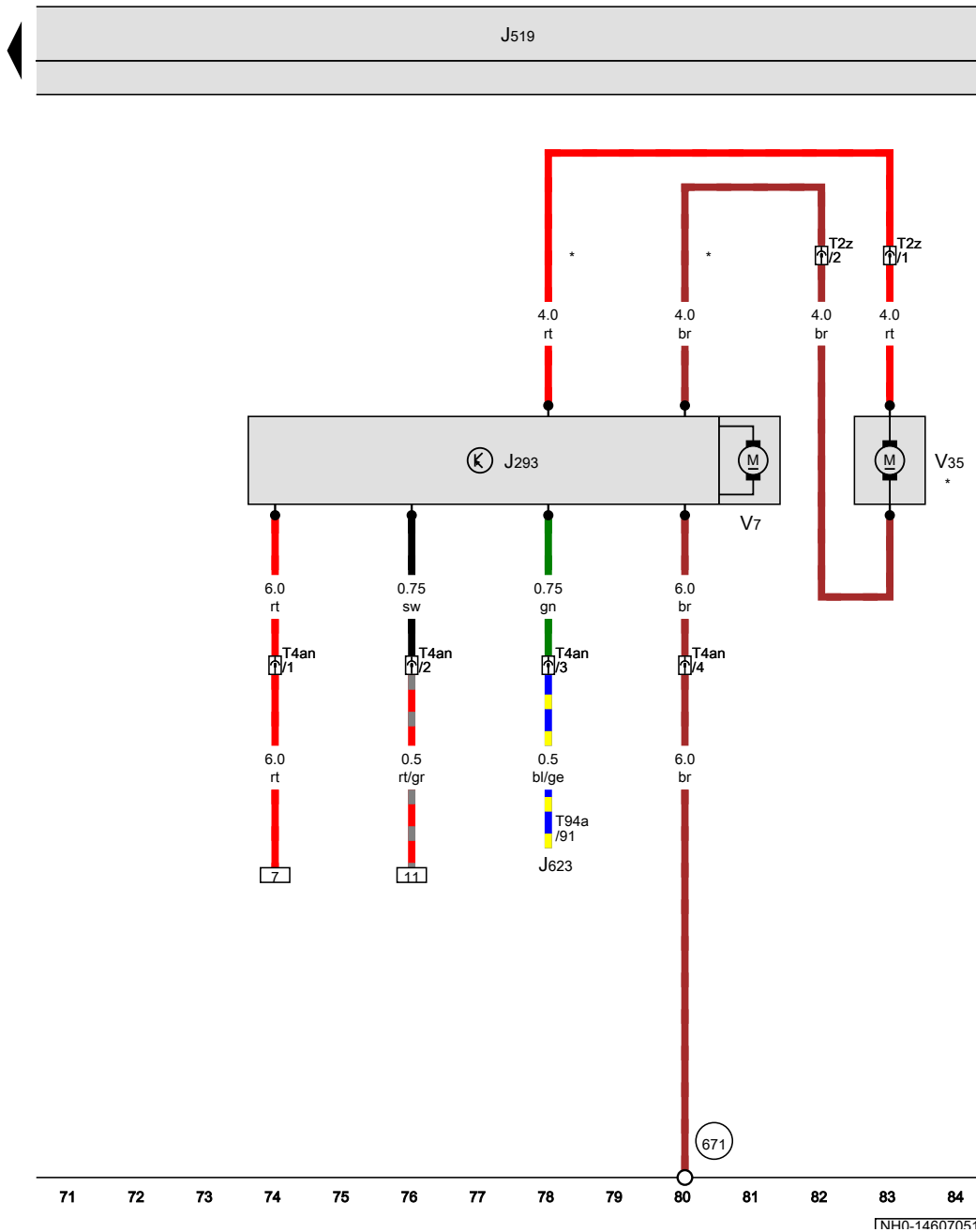


- G65 High-pressure sender
- J301 Air conditioning system control unit
- J519 Onboard supply control unit
- N280 Air conditioner compressor regulating valve
- T2j 2-pin connector
- T3z 3-pin connector
- T8m 8-pin connector, front left in engine compartment
- T16j 16-pin connector
- T73c 73-pin connector, black
- 381 Earth connection 16, in main wiring harness
- 384 Earth connection 19, in main wiring harness
- 671 Earth point 1, on front of left longitudinal member
- B397 Connection 1 (convenience CAN bus, high), in main wiring harness
- B406 Connection 1 (convenience CAN bus, low), in main wiring harness

- ws = white
- sw = black
- ro = red
- rt = red
- br = brown
- gn = green
- bl = blue
- gr = grey
- li = purple
- vi = purple
- ge = yellow
- or = orange
- rs = pink

Radiator fan control unit, Radiator fan, Right radiator fan

- J293 Radiator fan control unit
- J519 Onboard supply control unit
- J623 Engine control unit
- T2z 2-pin connector, on radiator fan
- T4an 4-pin connector
- T94a 94-pin connector
- V7 Radiator fan
- V35 Right radiator fan
- 671 Earth point 1, on front of left longitudinal member
- * Only models with two radiator fans



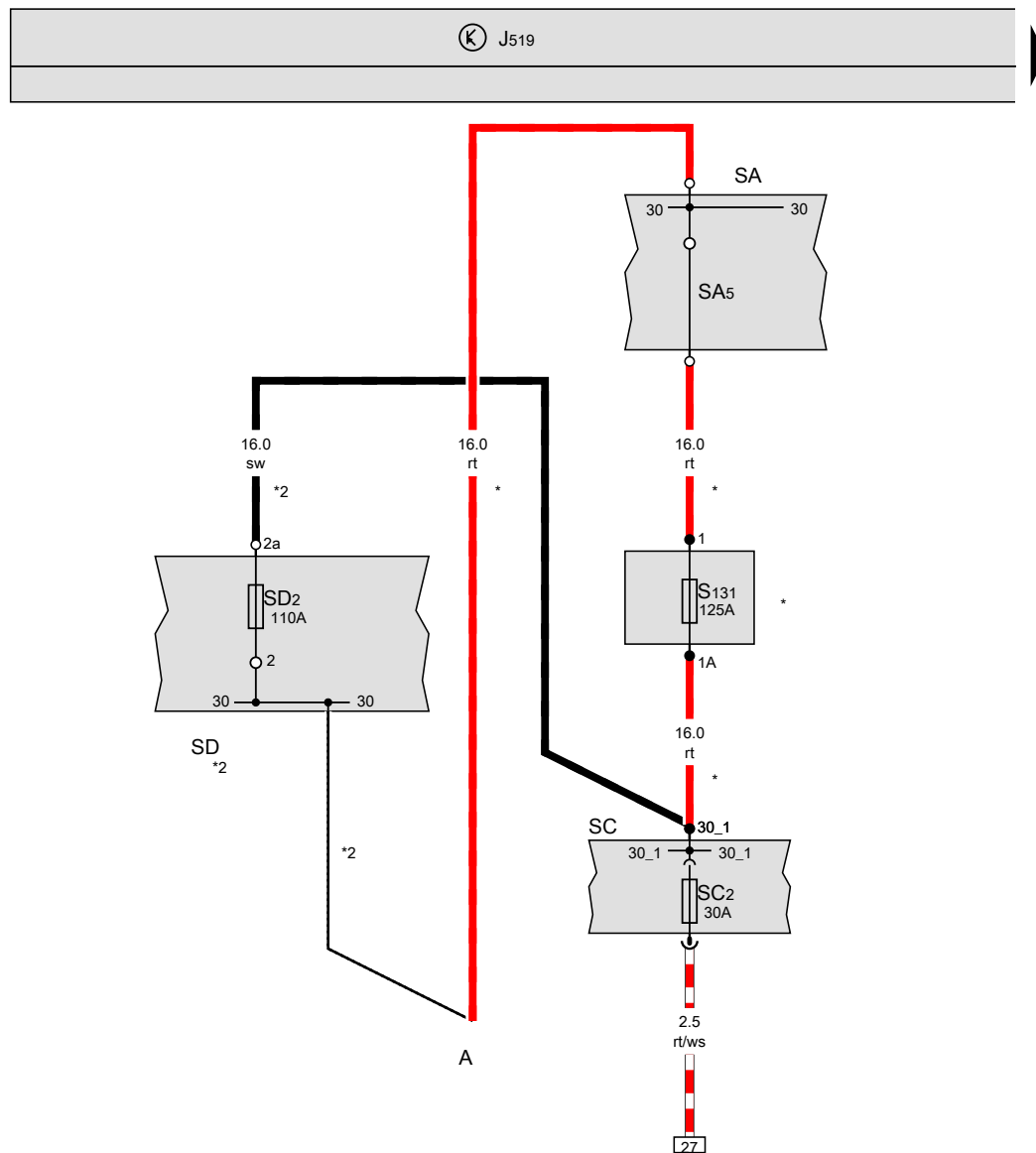
- ws = white
- sw = black
- ro = red
- rt = red
- br = brown
- gn = green
- bl = blue
- gr = grey
- li = purple
- vi = purple
- ge = yellow
- or = orange
- rs = pink

Central locking , (L0L)

From May 2016

Battery, Fuse holder A, Fuse holder C, Fuse holder D

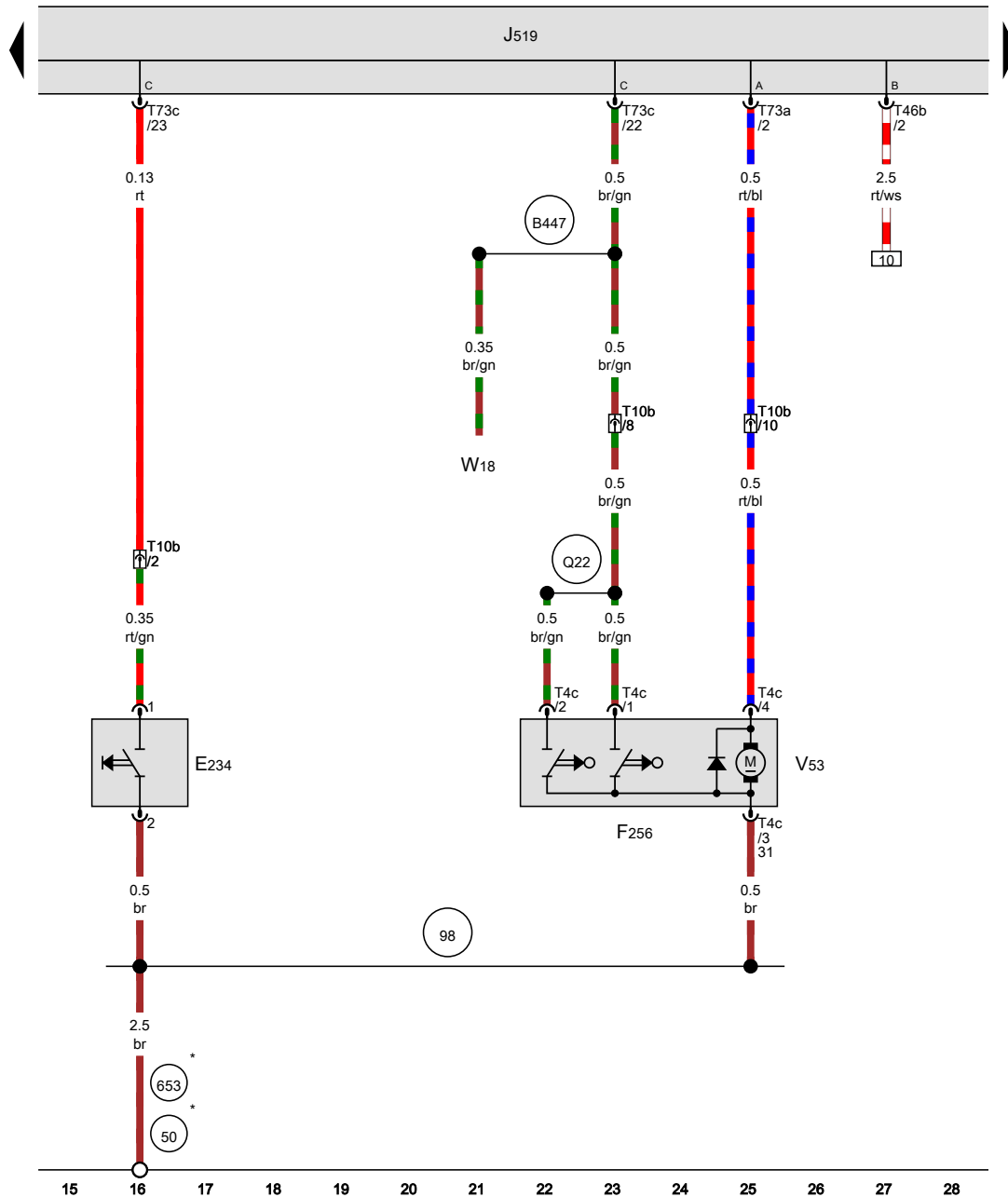
- A Battery
- J519 Onboard supply control unit
- SA Fuse holder A
- SC Fuse holder C
- SD2 Fuse 2 on fuse holder D
- SC2 Fuse 2 on fuse holder C
- SA5 Fuse 5 in fuse holder A
- S131 Fuse 1, in main wiring harness
- SD Fuse holder D
- * Only models with battery in engine compartment
- *2 Only models with battery in luggage compartment



- ws = white
- sw = black
- ro = red
- rt = red
- br = brown
- gn = green
- bl = blue
- gr = grey
- li = purple
- vi = purple
- ge = yellow
- or = orange
- rs = pink

1 2 3 4 5 6 7 8 9 10 11 12 13 14

[NH0-147020516]



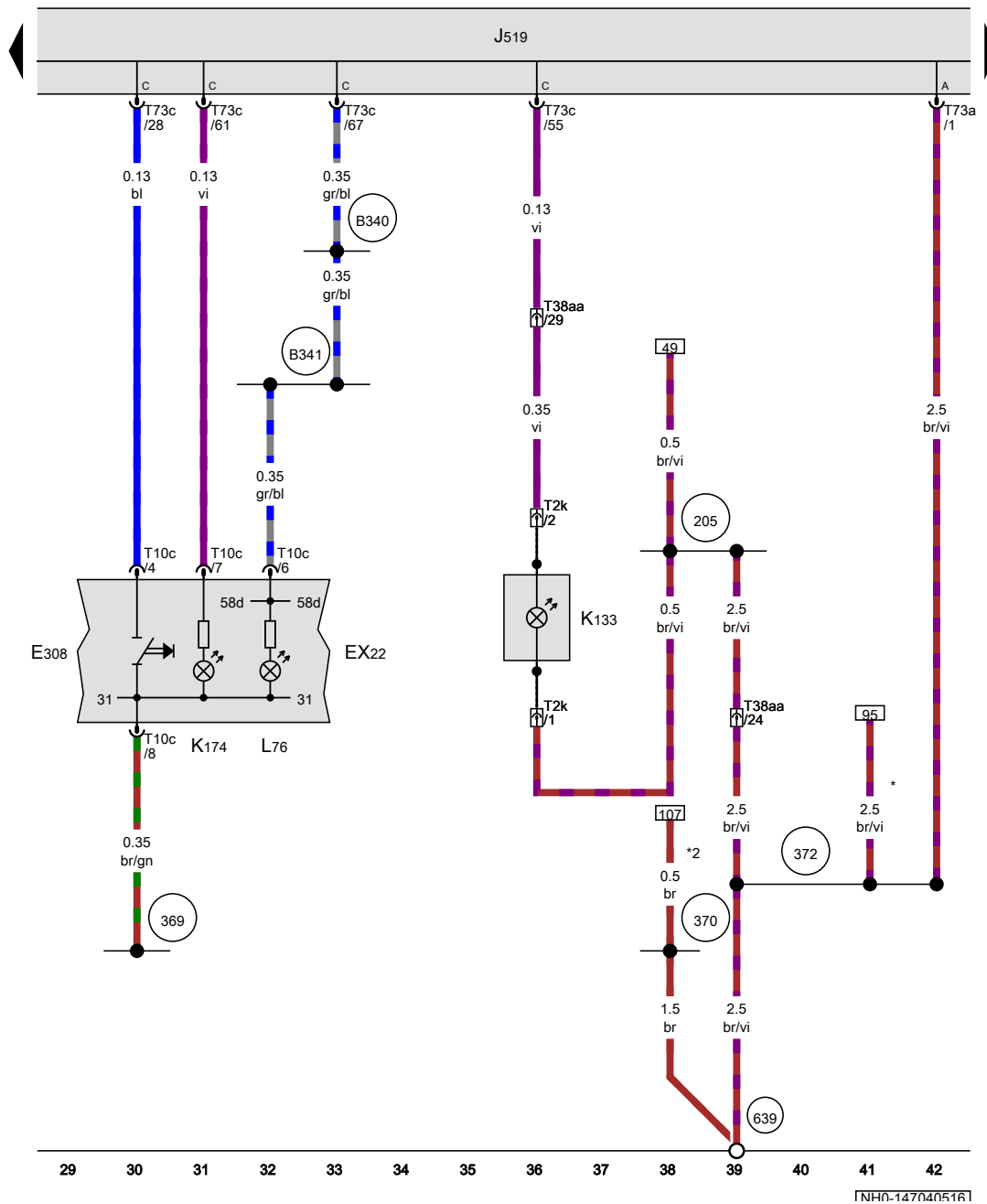
Rear lid handle release button, Rear lid lock unit, Rear lid central locking motor

- E234 Rear lid handle release button
- F256 Rear lid lock unit
- J519 Onboard supply control unit
- T4c 4-pin connector
- T10b 10-pin connector
- T46b 46-pin connector, brown
- T73a 73-pin connector, black
- T73c 73-pin connector, black
- V53 Rear lid central locking motor
- W18 Luggage compartment light on left

- 50 Earth point, on left in luggage compartment
- 98 Earth connection, in rear lid wiring harness
- 653 Earth point, on left D-pillar
- B447 Connection (luggage compartment light), in main wiring harness
- Q22 Connection 1, in rear lid wiring harness
- * see fitting locations

- ws = white
- sw = black
- ro = red
- rt = red
- br = brown
- gn = green
- bl = blue
- gr = grey
- li = purple
- vi = purple
- ge = yellow
- or = orange
- rs = pink

[NH0-147030516]



Centre switch module in dash panel, Driver side interior locking button for central locking system, Central locking SAFELOCK function warning lamp

- EX22 Centre switch module in dash panel
- E308 Driver side interior locking button for central locking system
- J519 Onboard supply control unit
- K133 Central locking SAFELOCK function warning lamp
- K174 Driver side interior locking warning lamp
- L76 Button illumination bulb
- T2k 2-pin connector, in driver door
- T10c 10-pin connector, black
- T38aa 38-pin connector, on left A-pillar
- T73a 73-pin connector, black
- T73c 73-pin connector, black

- 205 Earth connection, in driver door wiring harness
- 369 Earth connection 4, in main wiring harness
- 370 Earth connection 5, in main wiring harness
- 372 Earth connection 7, in main wiring harness
- 639 Earth point, left A-pillar
- B340 Connection 1 (58d), in main wiring harness
- B341 Connection 2 (58d), in main wiring harness
- * Only models with front and rear window regulators
- *2 Only models with front window regulators

- ws = white
- sw = black
- ro = red
- rt = red
- br = brown
- gn = green
- bl = blue
- gr = grey
- li = purple
- vi = purple
- ge = yellow
- or = orange
- rs = pink

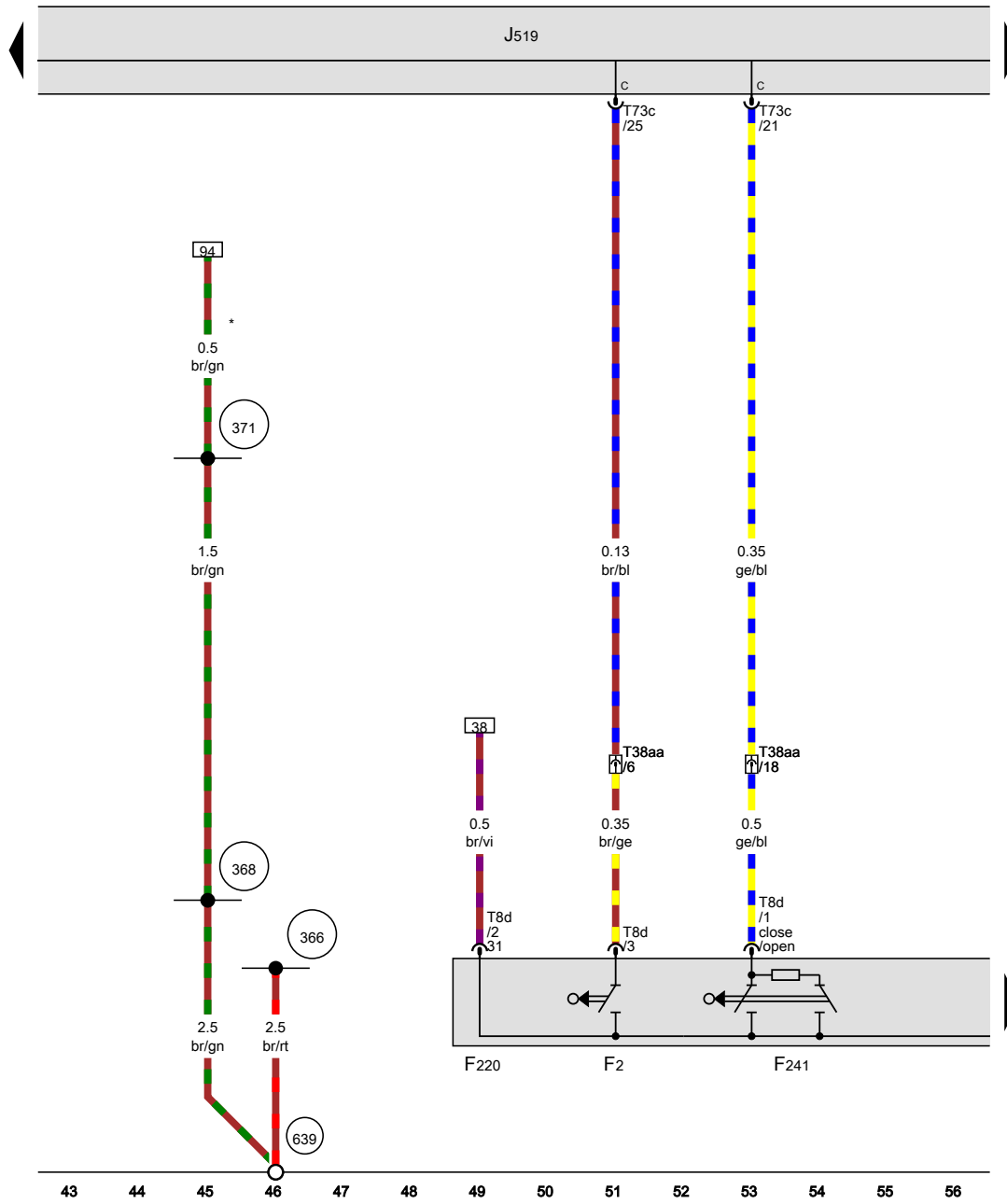
INHN-1470405161

Driver side central locking lock unit

- F2 Driver door contact switch
- F220 Driver side central locking lock unit
- F241 Driver side contact switch in lock cylinder
- J519 Onboard supply control unit
- T8d 8-pin connector
- T38aa 38-pin connector, on left A-pillar
- T73c 73-pin connector, black

- 366 Earth connection 1, in main wiring harness
- 368 Earth connection 3, in main wiring harness
- 371 Earth connection 6, in main wiring harness
- 639 Earth point, left A-pillar

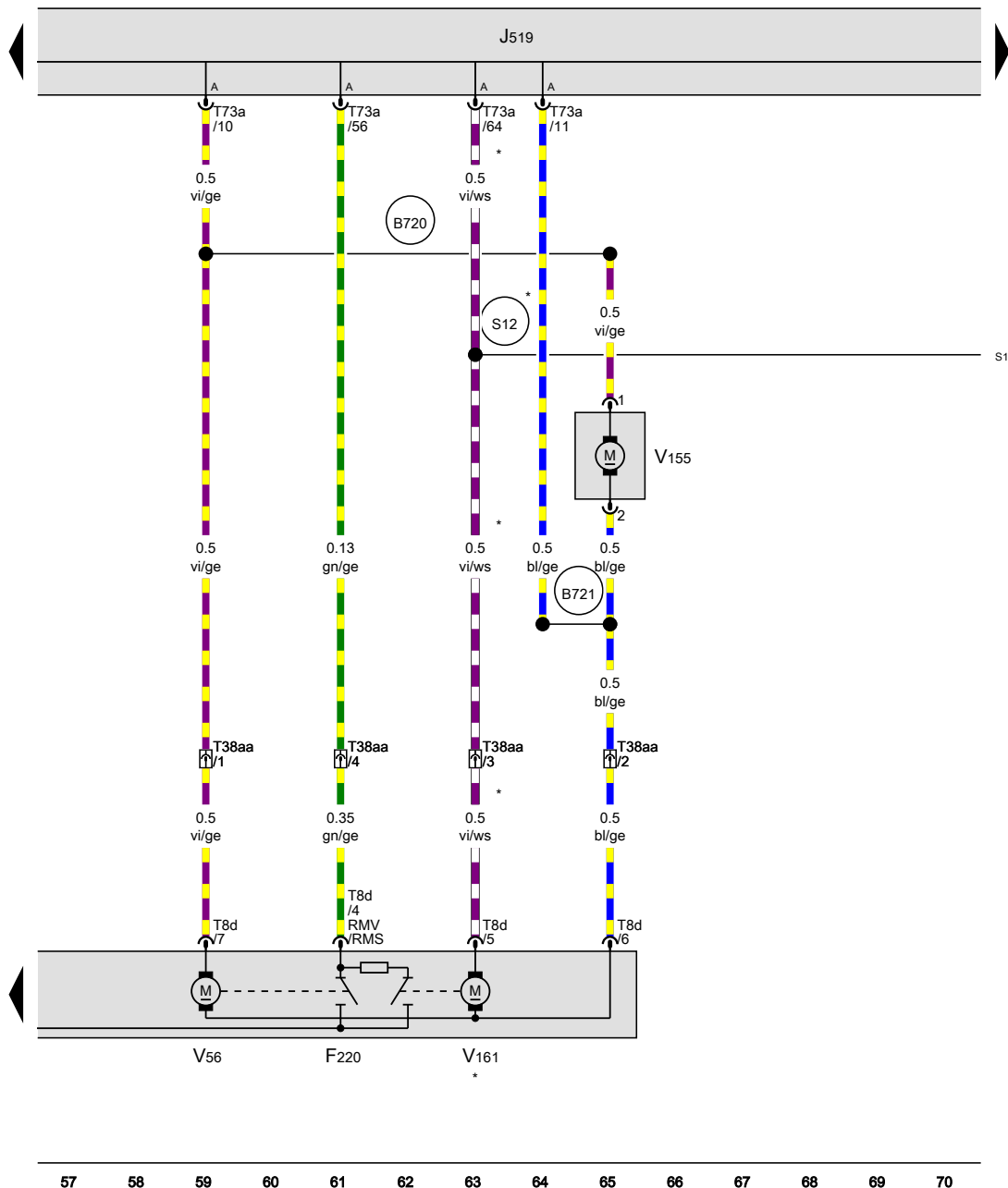
* Only models with front window regulators



- ws = white
- sw = black
- ro = red
- rt = red
- br = brown
- gn = green
- bl = blue
- gr = grey
- li = purple
- vi = purple
- ge = yellow
- or = orange
- rs = pink

[NH0-147050516]

Driver side central locking lock unit, Tank filler flap locking motor



- F220 Driver side central locking lock unit
- J519 Onboard supply control unit
- T8d 8-pin connector
- T38aa 38-pin connector, on left A-pillar
- T73a 73-pin connector, black
- V56 Driver door central locking motor
- V155 Tank filler flap locking motor
- V161 Driver door central locking SAFELOCK function motor

- B720 Connection 1 (central locking), in main wiring harness
- B721 Connection 2 (central locking), in main wiring harness
- S12 Connection (SAFE 1), in central locking wiring harness

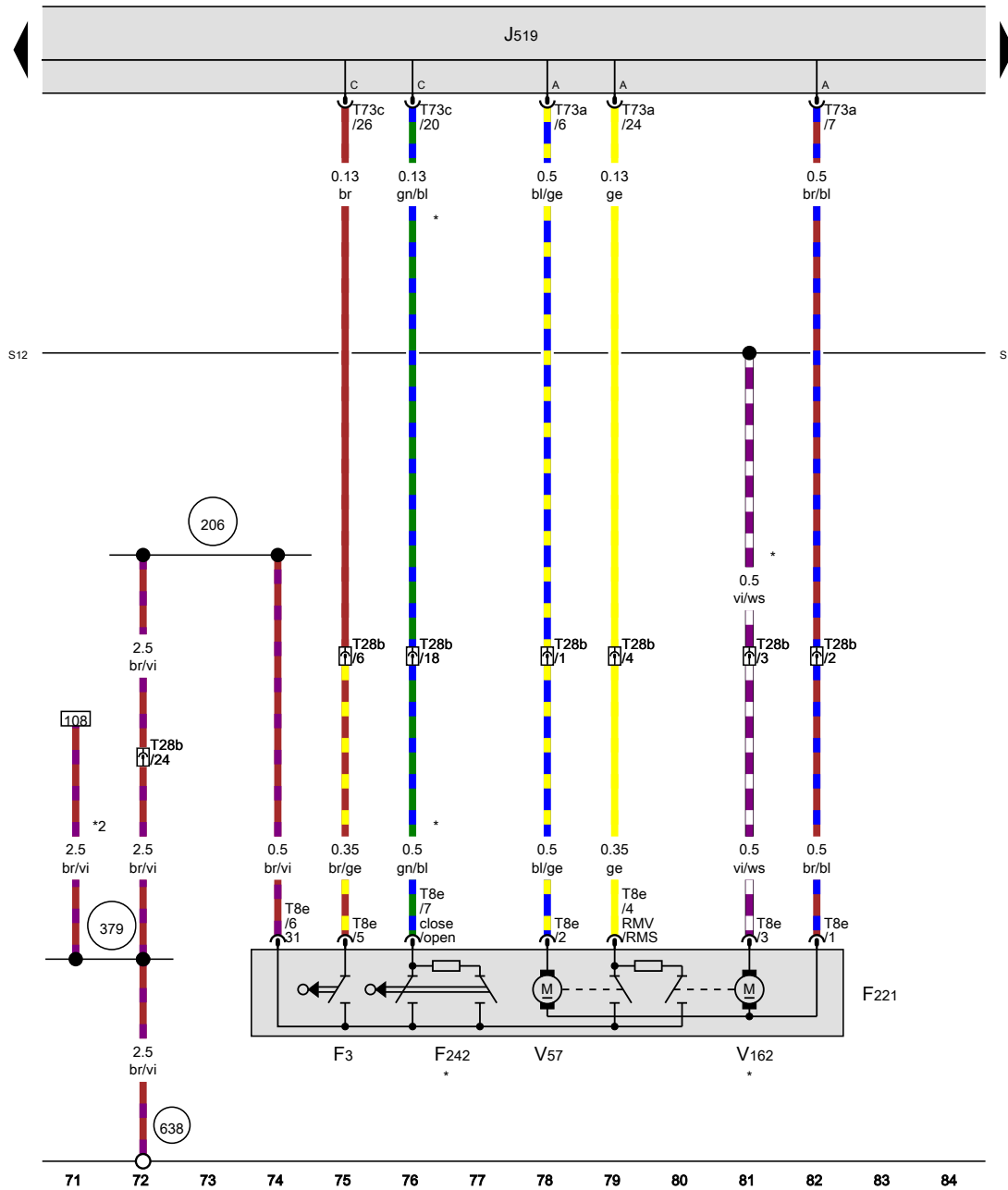
* According to equipment

- ws = white
- sw = black
- ro = red
- rt = red
- br = brown
- gn = green
- bl = blue
- gr = grey
- li = purple
- vi = purple
- ge = yellow
- or = orange
- rs = pink

57 58 59 60 61 62 63 64 65 66 67 68 69 70

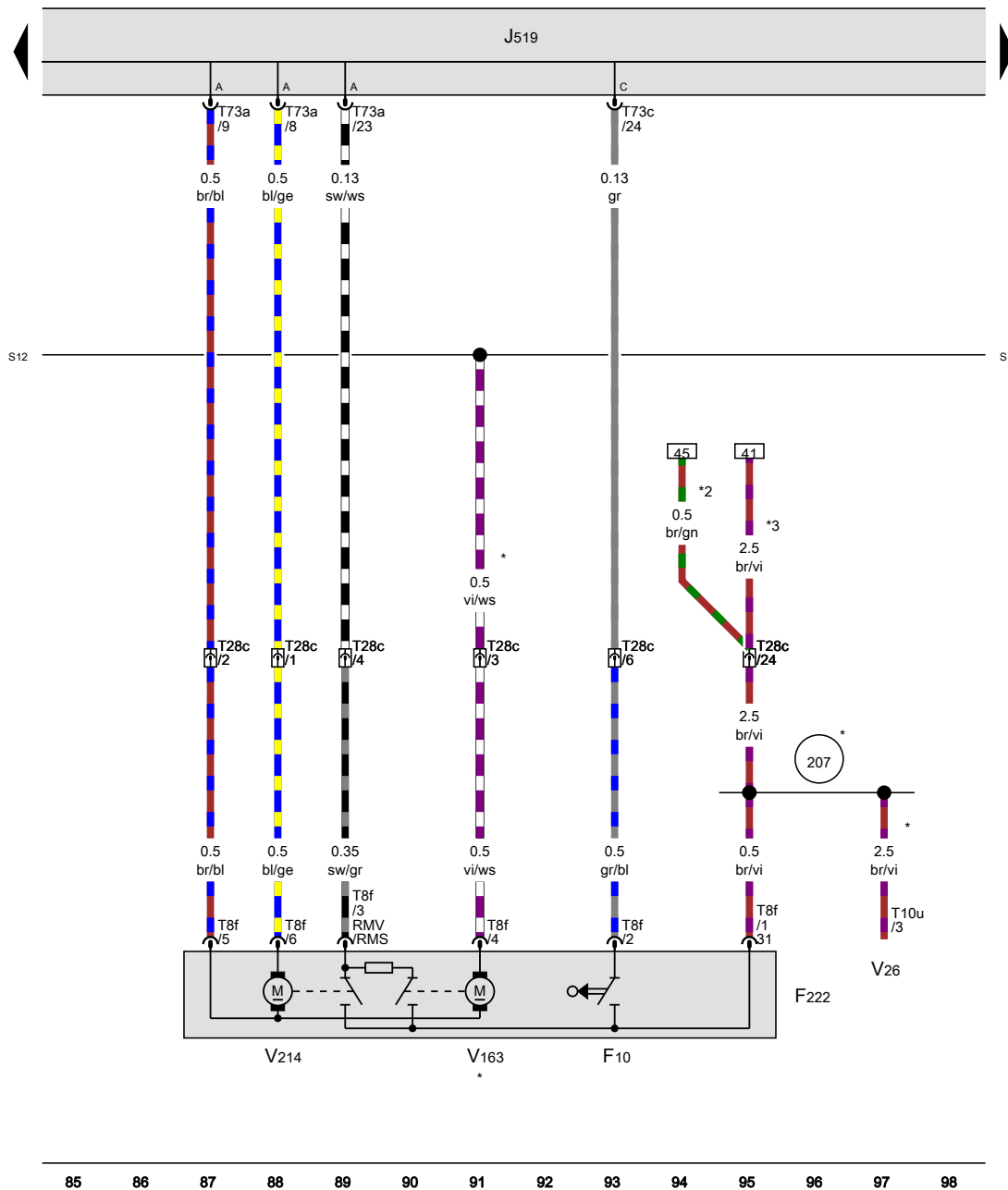
[NH0-147060516]

Front passenger side central locking lock unit



- F3 Front passenger door contact switch
- F221 Front passenger side central locking lock unit
- F242 Front passenger side contact switch in lock cylinder
- J519 Onboard supply control unit
- T8e 8-pin connector
- T28b 28-pin connector, on right A-pillar
- T73a 73-pin connector, black
- T73c 73-pin connector, black
- V57 Front passenger door central locking motor
- V162 Front passenger door central locking SAFELOCK function motor
- 206 Earth connection, in front passenger door wiring harness
- 379 Earth connection 14, in main wiring harness
- 638 Earth point, on right A-pillar
- S12 Connection (SAFE 1), in central locking wiring harness
- * According to equipment
- *2 Only models with front and rear window regulators

- ws = white
- sw = black
- ro = red
- rt = red
- br = brown
- gn = green
- bl = blue
- gr = grey
- li = purple
- vi = purple
- ge = yellow
- or = orange
- rs = pink



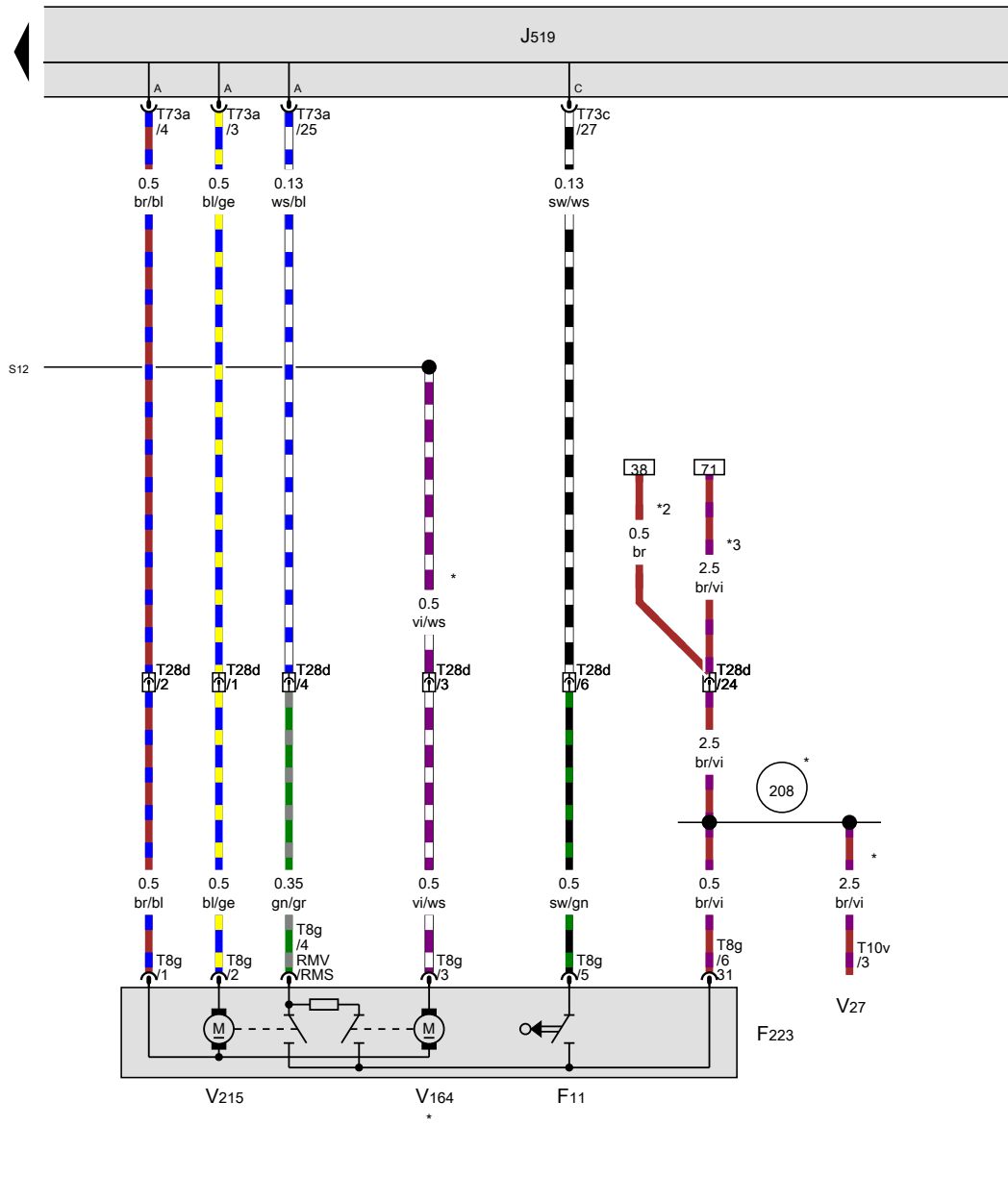
Rear left central locking lock unit

- F10 Rear left door contact switch
- F222 Rear left central locking lock unit
- J519 Onboard supply control unit
- T8f 8-pin connector
- T10u 10-pin connector
- T28c 28-pin connector, on left B-pillar
- T73a 73-pin connector, black
- T73c 73-pin connector, black
- V26 Rear left window regulator motor
- V163 Rear left door central locking SAFELOCK function motor
- V214 Rear left door central locking motor, lock

- 207 Earth connection, in rear left door wiring harness
- S12 Connection (SAFE 1), in central locking wiring harness

- * According to equipment
- *2 Only models with front window regulators
- *3 Only models with front and rear window regulators

- ws = white
- sw = black
- ro = red
- rt = red
- br = brown
- gn = green
- bl = blue
- gr = grey
- li = purple
- vi = purple
- ge = yellow
- or = orange
- rs = pink



Rear right central locking lock unit

- F11 Rear right door contact switch
- F223 Rear right central locking lock unit
- J519 Onboard supply control unit
- T8g 8-pin connector
- T10v 10-pin connector
- T28d 28-pin connector, on right B-pillar
- T73a 73-pin connector, black
- T73c 73-pin connector, black
- V27 Rear right window regulator motor
- V164 Rear right door central SAFELOCK function locking motor
- V215 Rear right door central locking motor, lock

- 208 Earth connection, in rear right door wiring harness
- S12 Connection (SAFE 1), in central locking wiring harness

- * According to equipment
- *2 Only models with front window regulators
- *3 Only models with front and rear window regulators

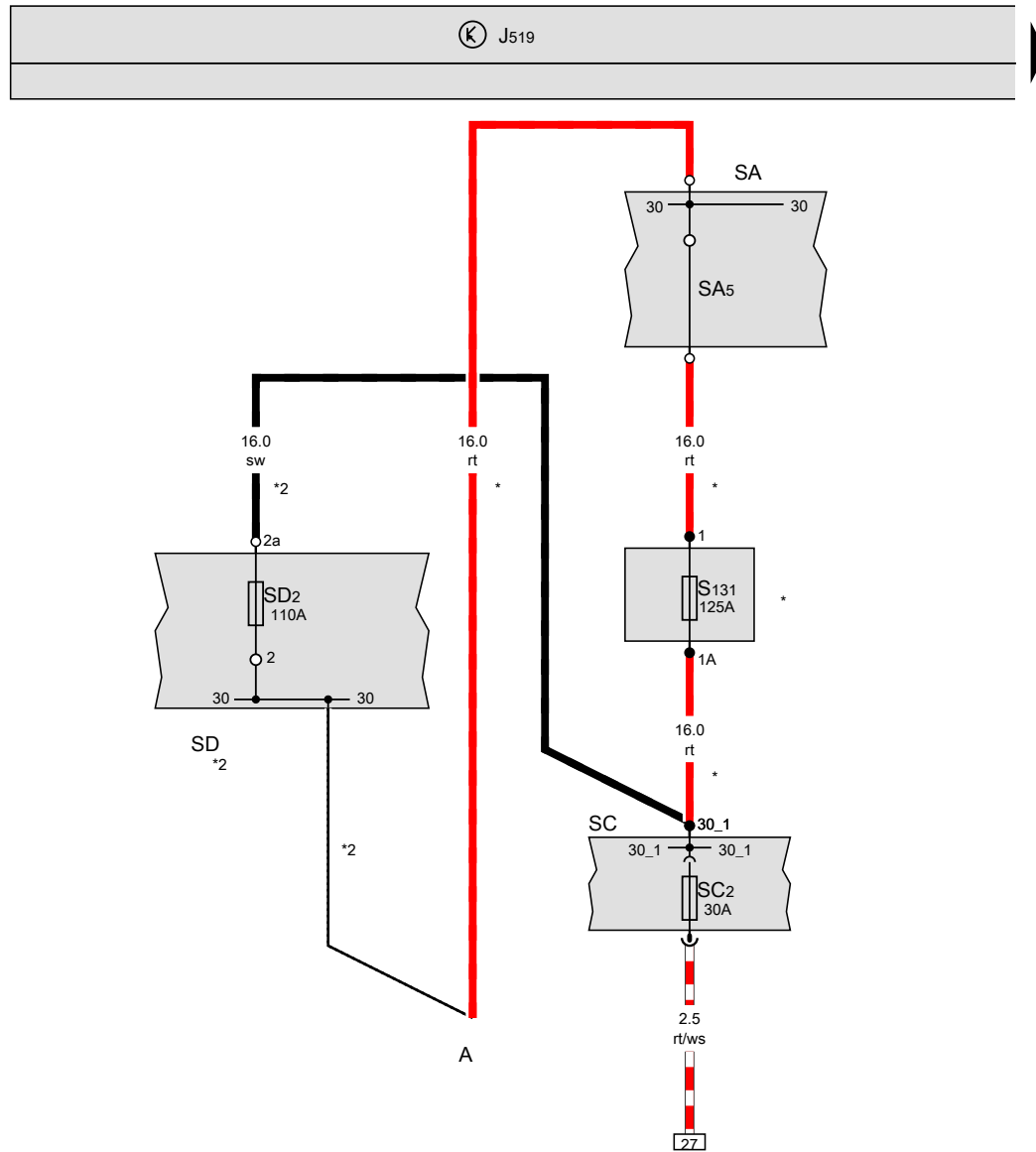
- ws = white
- sw = black
- ro = red
- rt = red
- br = brown
- gn = green
- bl = blue
- gr = grey
- li = purple
- vi = purple
- ge = yellow
- or = orange
- rs = pink

Central locking , (L0R)

From May 2016

Battery, Fuse holder A, Fuse holder C, Fuse holder D

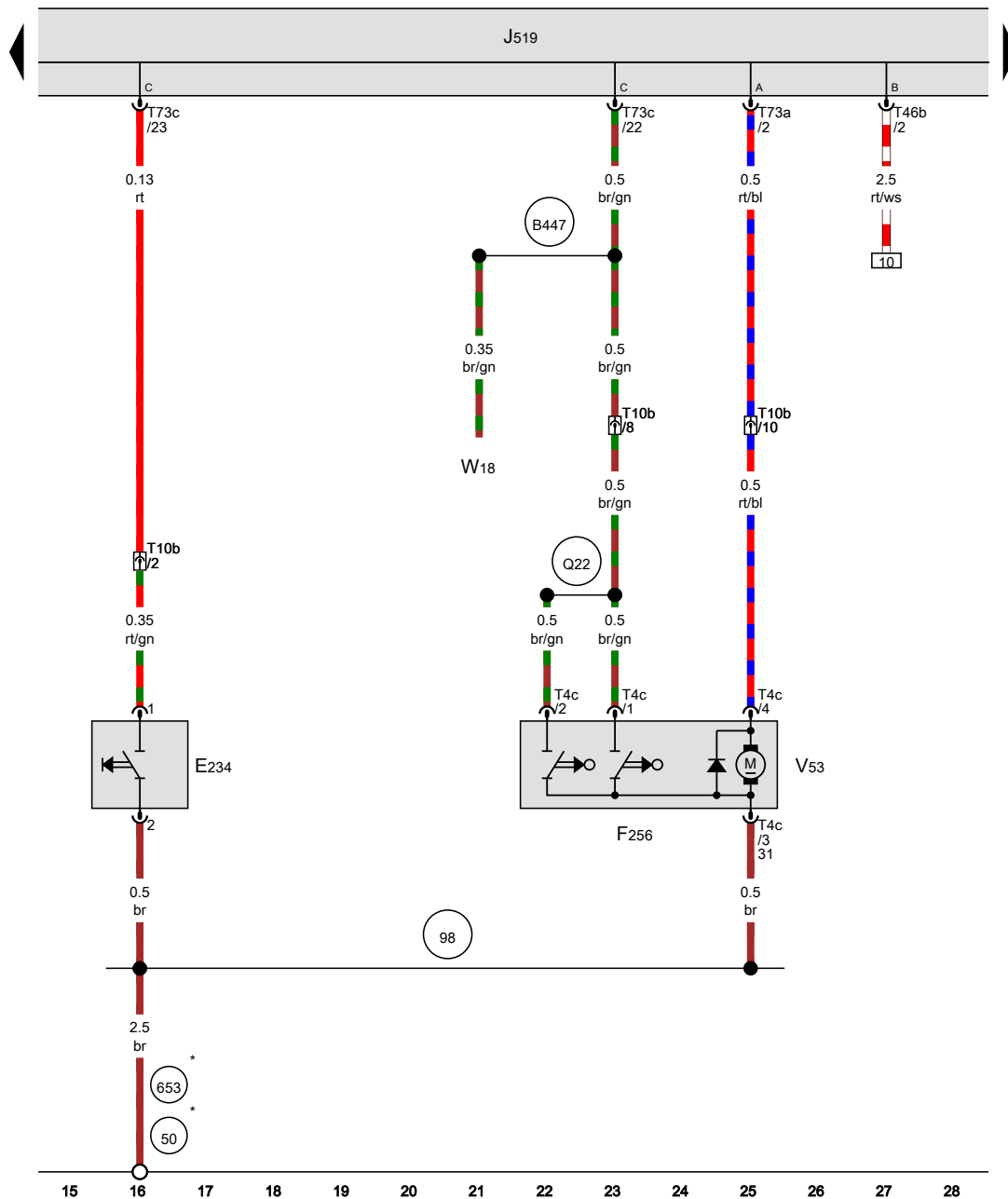
- A Battery
- J519 Onboard supply control unit
- SA Fuse holder A
- SC Fuse holder C
- SD2 Fuse 2 on fuse holder D
- SC2 Fuse 2 on fuse holder C
- SA5 Fuse 5 in fuse holder A
- S131 Fuse 1, in main wiring harness
- SD Fuse holder D
- * Only models with battery in engine compartment
- *2 Only models with battery in luggage compartment



- ws = white
- sw = black
- ro = red
- rt = red
- br = brown
- gn = green
- bl = blue
- gr = grey
- li = purple
- vi = purple
- ge = yellow
- or = orange
- rs = pink

1 2 3 4 5 6 7 8 9 10 11 12 13 14

[NH0-148020516]



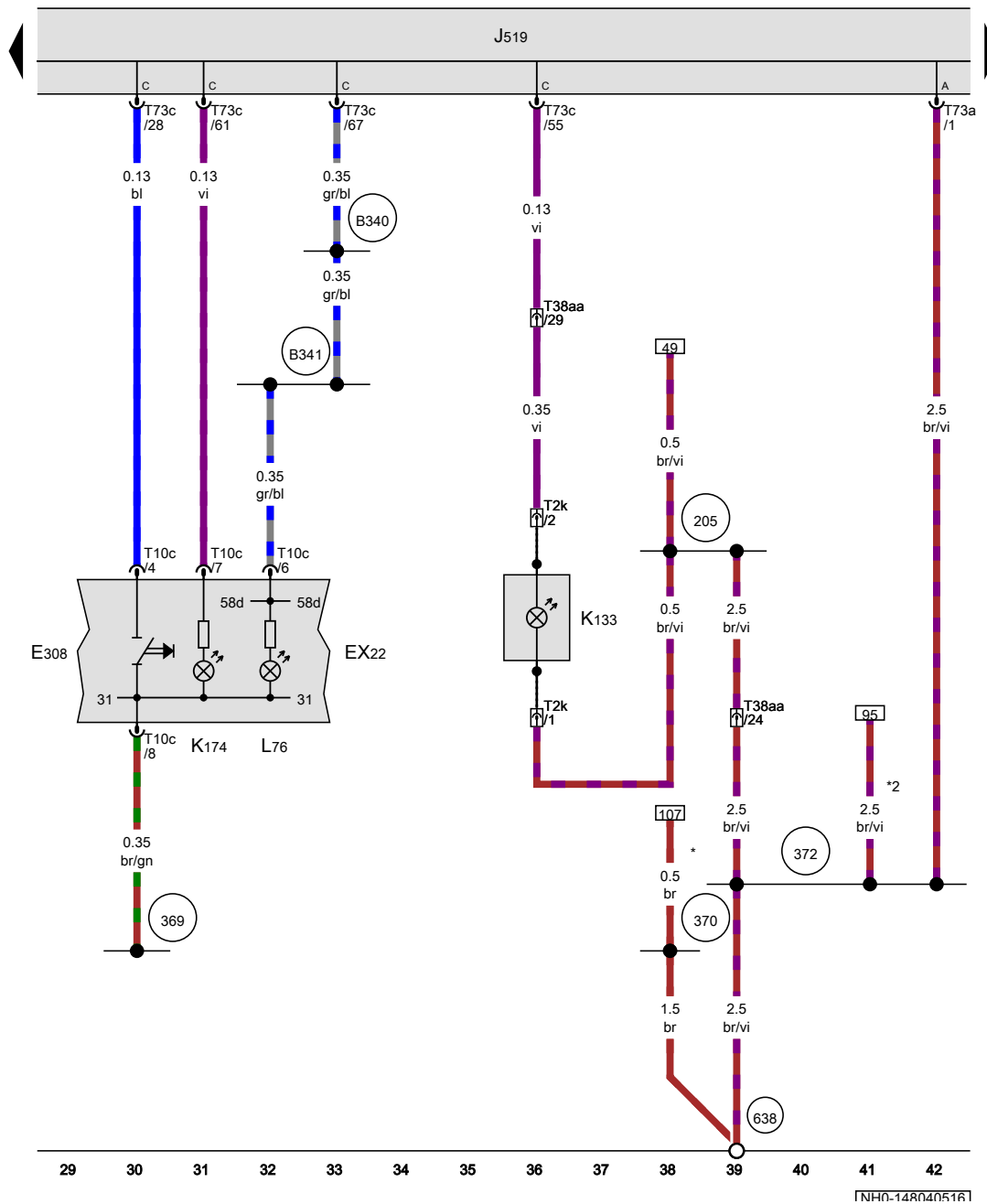
Rear lid handle release button, Rear lid lock unit, Rear lid central locking motor

- E234 Rear lid handle release button
- F256 Rear lid lock unit
- J519 Onboard supply control unit
- T4c 4-pin connector
- T10b 10-pin connector
- T46b 46-pin connector, brown
- T73a 73-pin connector, black
- T73c 73-pin connector, black
- V53 Rear lid central locking motor
- W18 Luggage compartment light on left

- 50 Earth point, on left in luggage compartment
- 98 Earth connection, in rear lid wiring harness
- 653 Earth point, on left D-pillar
- B447 Connection (luggage compartment light), in main wiring harness
- Q22 Connection 1, in rear lid wiring harness
- * see fitting locations

- ws = white
- sw = black
- ro = red
- rt = red
- br = brown
- gn = green
- bl = blue
- gr = grey
- li = purple
- vi = purple
- ge = yellow
- or = orange
- rs = pink

[NH0-148030516]



Centre switch module in dash panel, Driver side interior locking button for central locking system, Central locking SAFELOCK function warning lamp

- EX22 Centre switch module in dash panel
- E308 Driver side interior locking button for central locking system
- J519 Onboard supply control unit
- K133 Central locking SAFELOCK function warning lamp
- K174 Driver side interior locking warning lamp
- L76 Button illumination bulb
- T2k 2-pin connector, in driver door
- T10c 10-pin connector, black
- T38aa 38-pin connector, on right A-pillar
- T73a 73-pin connector, black
- T73c 73-pin connector, black

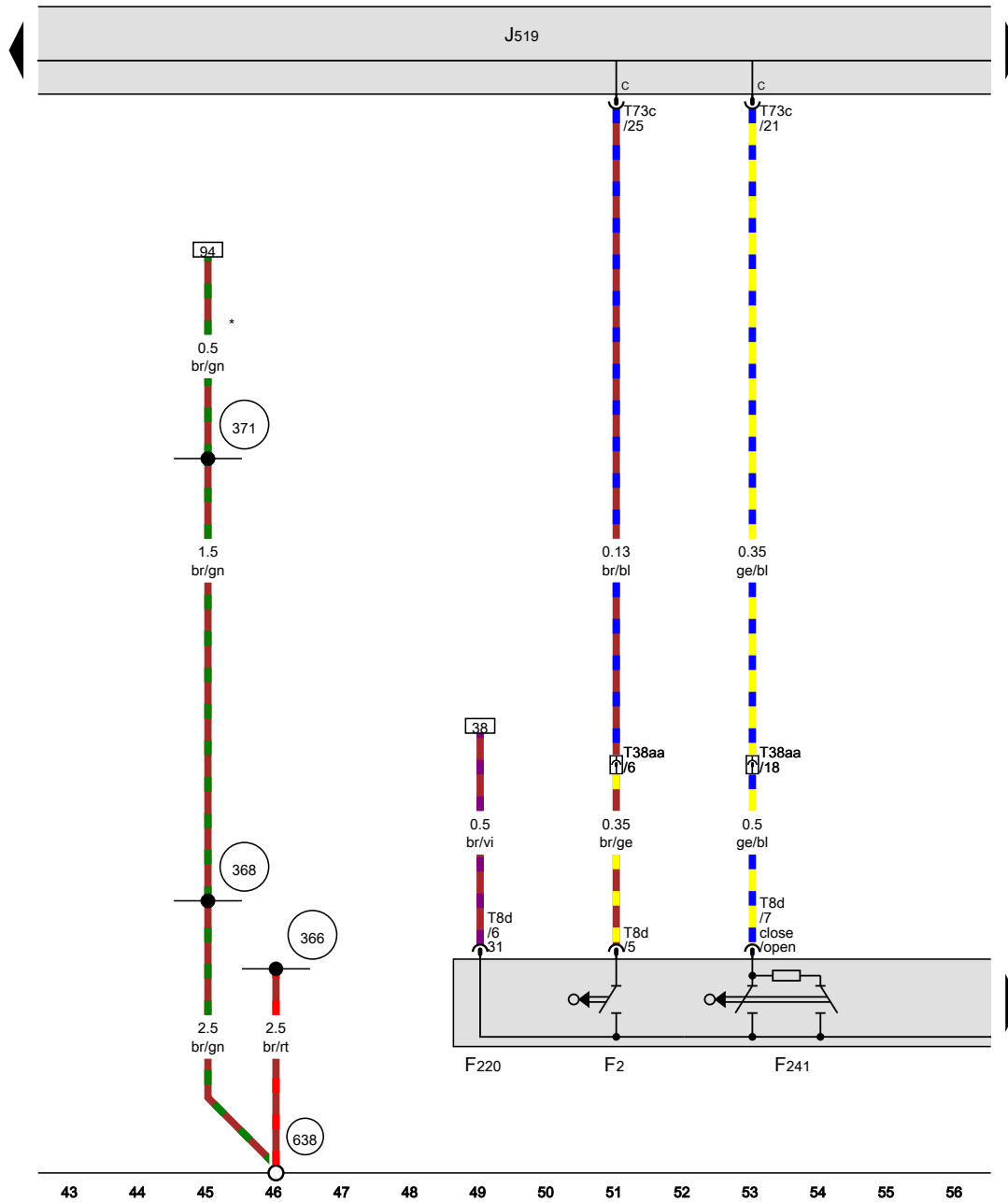
- 205 Earth connection, in driver door wiring harness
- 369 Earth connection 4, in main wiring harness
- 370 Earth connection 5, in main wiring harness
- 372 Earth connection 7, in main wiring harness
- 638 Earth point, on right A-pillar
- B340 Connection 1 (58d), in main wiring harness
- B341 Connection 2 (58d), in main wiring harness
- * Only models with front window regulators
- *2 Only models with front and rear window regulators

- ws = white
- sw = black
- ro = red
- rt = red
- br = brown
- gn = green
- bl = blue
- gr = grey
- li = purple
- vi = purple
- ge = yellow
- or = orange
- rs = pink

Driver side central locking lock unit

- F2 Driver door contact switch
- F220 Driver side central locking lock unit
- F241 Driver side contact switch in lock cylinder
- J519 Onboard supply control unit
- T8d 8-pin connector
- T38aa 38-pin connector, on right A-pillar
- T73c 73-pin connector, black

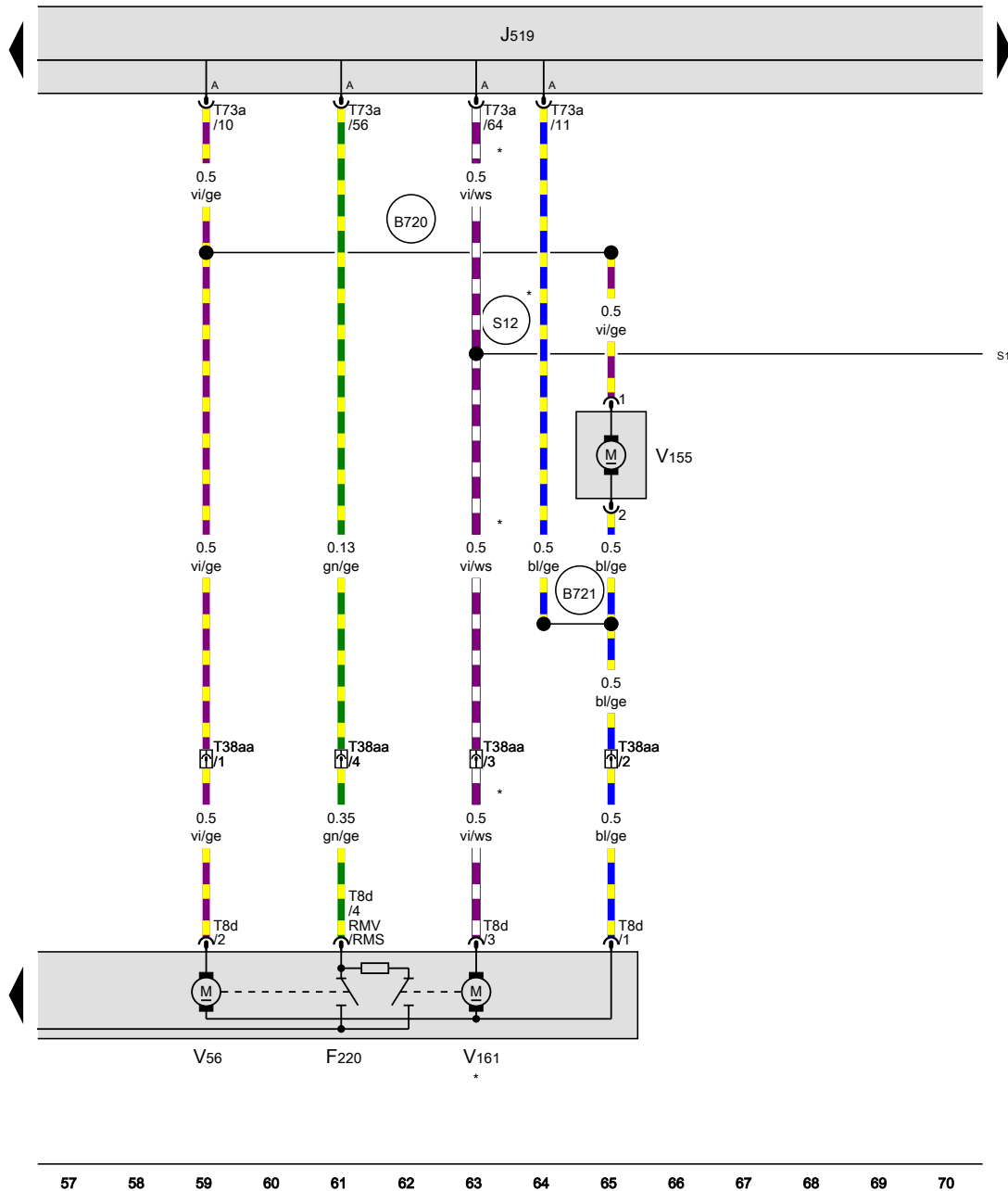
- 366 Earth connection 1, in main wiring harness
- 368 Earth connection 3, in main wiring harness
- 371 Earth connection 6, in main wiring harness
- 638 Earth point, on right A-pillar
- * Only models with front window regulators



- ws = white
- sw = black
- ro = red
- rt = red
- br = brown
- gn = green
- bl = blue
- gr = grey
- li = purple
- vi = purple
- ge = yellow
- or = orange
- rs = pink

[NH0-148050516]

Driver side central locking lock unit, Tank filler flap locking motor



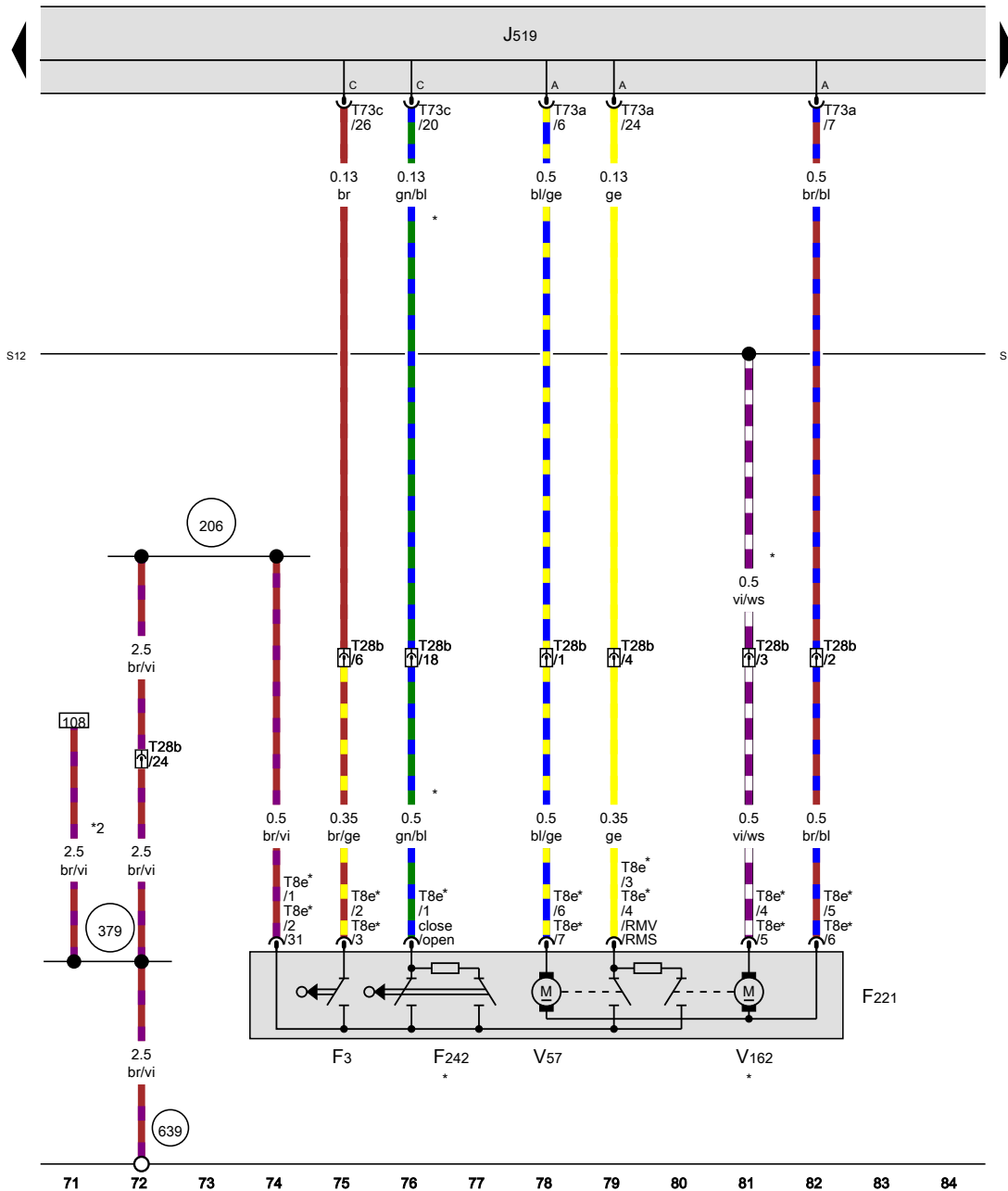
- F220 Driver side central locking lock unit
- J519 Onboard supply control unit
- T8d 8-pin connector
- T38aa 38-pin connector, on right A-pillar
- T73a 73-pin connector, black
- V56 Driver door central locking motor
- V155 Tank filler flap locking motor
- V161 Driver door central locking SAFELOCK function motor

- B720 Connection 1 (central locking), in main wiring harness
- B721 Connection 2 (central locking), in main wiring harness
- S12 Connection (SAFE 1), in central locking wiring harness

* According to equipment

- ws = white
- sw = black
- ro = red
- rt = red
- br = brown
- gn = green
- bl = blue
- gr = grey
- li = purple
- vi = purple
- ge = yellow
- or = orange
- rs = pink

Front passenger side central locking lock unit

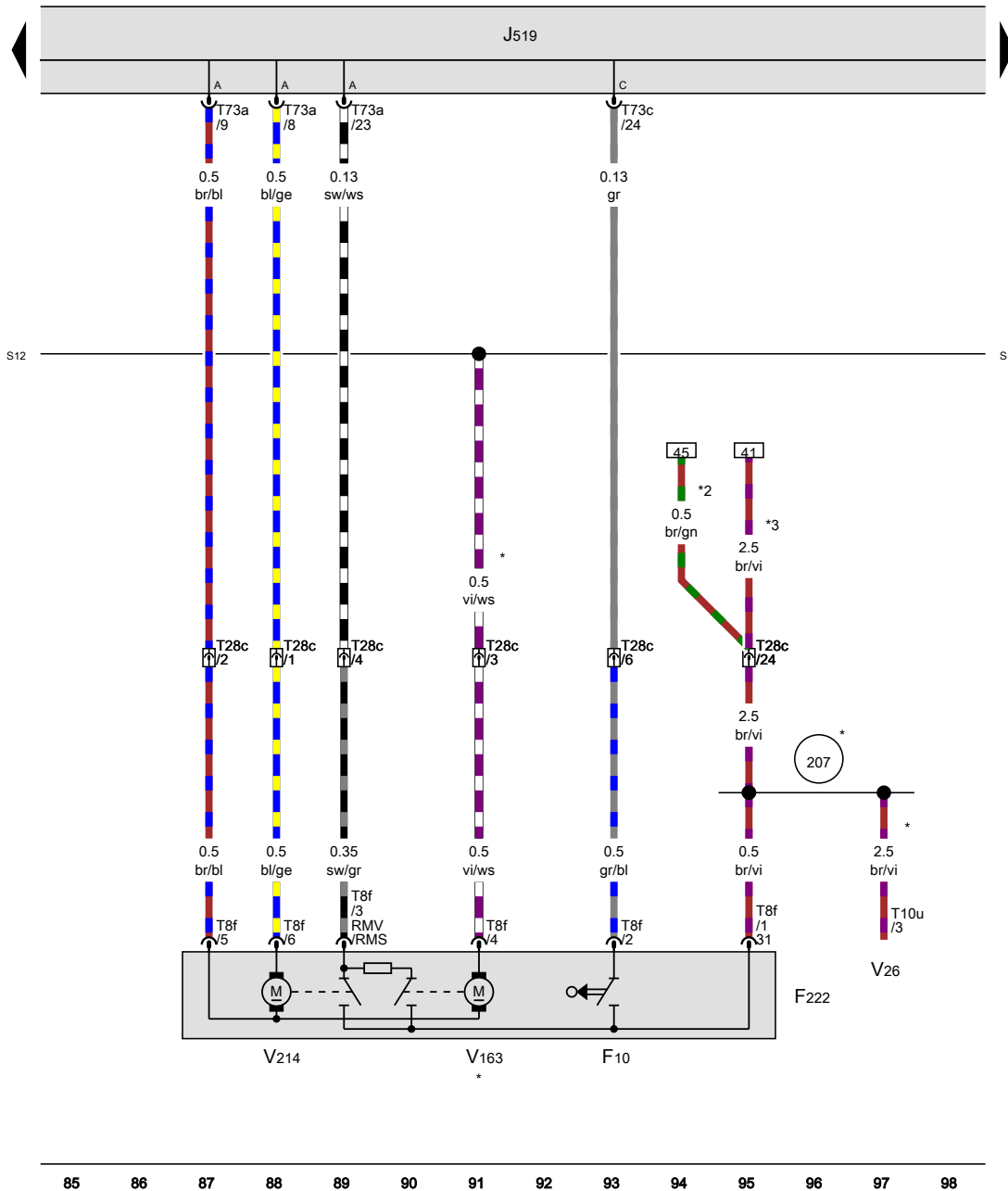


- F3 Front passenger door contact switch
- F221 Front passenger side central locking lock unit
- F242 Front passenger side contact switch in lock cylinder
- J519 Onboard supply control unit
- T8e 8-pin connector
- T28b 28-pin connector, on left A-pillar
- T73a 73-pin connector, black
- T73c 73-pin connector, black
- V57 Front passenger door central locking motor
- V162 Front passenger door central locking SAFELOCK function motor

- 206 Earth connection, in front passenger door wiring harness
- 379 Earth connection 14, in main wiring harness
- 639 Earth point, left A-pillar
- S12 Connection (SAFE 1), in central locking wiring harness

* According to equipment
 *2 Only models with front and rear window regulators

- ws = white
- sw = black
- ro = red
- rt = red
- br = brown
- gn = green
- bl = blue
- gr = grey
- li = purple
- vi = purple
- ge = yellow
- or = orange
- rs = pink



Rear left central locking lock unit

- F10 Rear left door contact switch
- F222 Rear left central locking lock unit
- J519 Onboard supply control unit
- T8f 8-pin connector
- T10u 10-pin connector
- T28c 28-pin connector, on left B-pillar
- T73a 73-pin connector, black
- T73c 73-pin connector, black
- V26 Rear left window regulator motor
- V163 Rear left door central locking SAFELOCK function motor
- V214 Rear left door central locking motor, lock

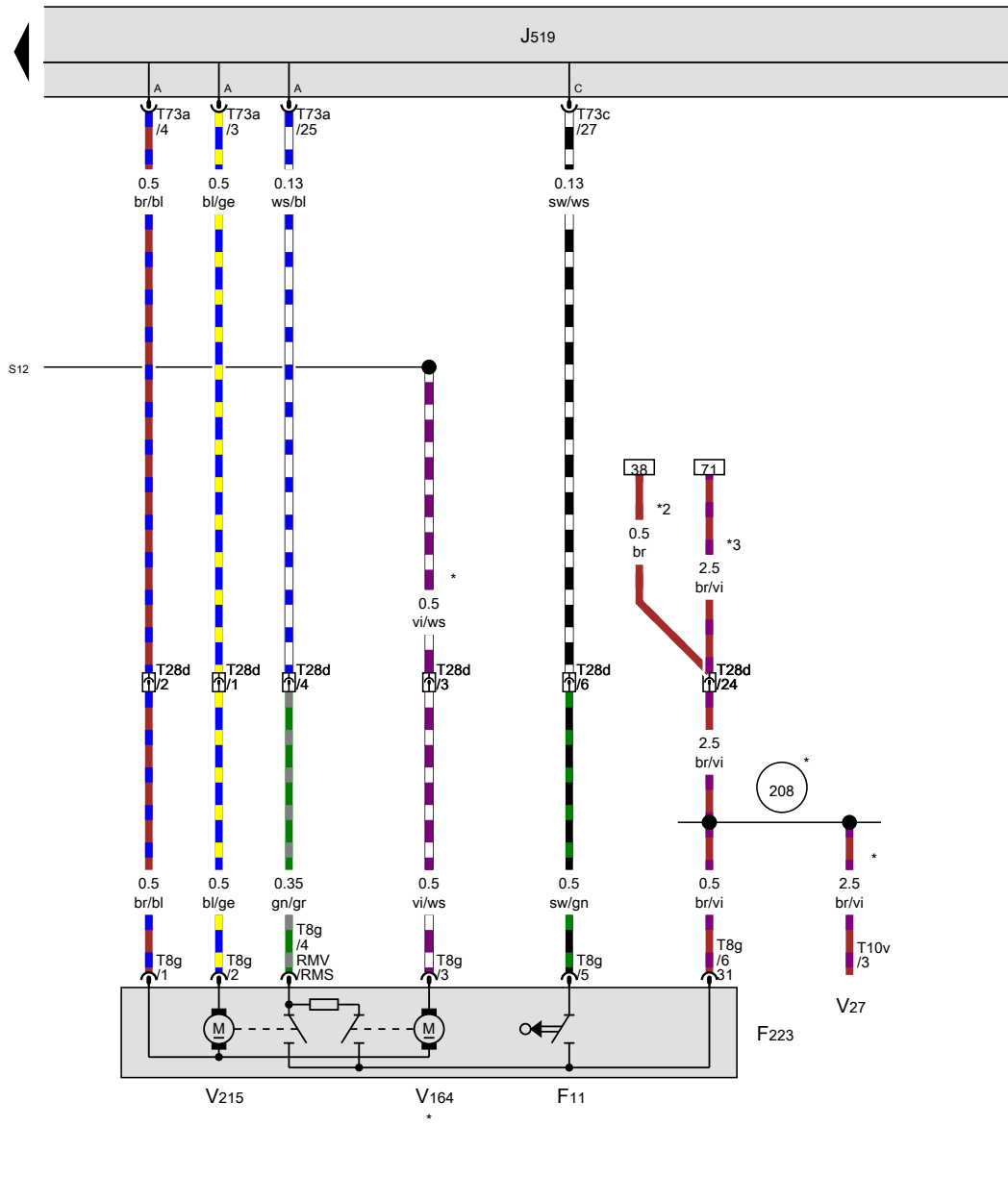
- 207 Earth connection, in rear left door wiring harness
- S12 Connection (SAFE 1), in central locking wiring harness

- * According to equipment
- *2 Only models with front window regulators
- *3 Only models with front and rear window regulators

- ws = white
- sw = black
- ro = red
- rt = red
- br = brown
- gn = green
- bl = blue
- gr = grey
- li = purple
- vi = purple
- ge = yellow
- or = orange
- rs = pink

85 86 87 88 89 90 91 92 93 94 95 96 97 98

[NH0-148000516]



Rear right central locking lock unit

- F11 Rear right door contact switch
- F223 Rear right central locking lock unit
- J519 Onboard supply control unit
- T8g 8-pin connector
- T10v 10-pin connector
- T28d 28-pin connector, on right B-pillar
- T73a 73-pin connector, black
- T73c 73-pin connector, black
- V27 Rear right window regulator motor
- V164 Rear right door central SAFELOCK function locking motor
- V215 Rear right door central locking motor, lock

- 208 Earth connection, in rear right door wiring harness
- S12 Connection (SAFE 1), in central locking wiring harness

- * According to equipment
- *2 Only models with front window regulators
- *3 Only models with front and rear window regulators

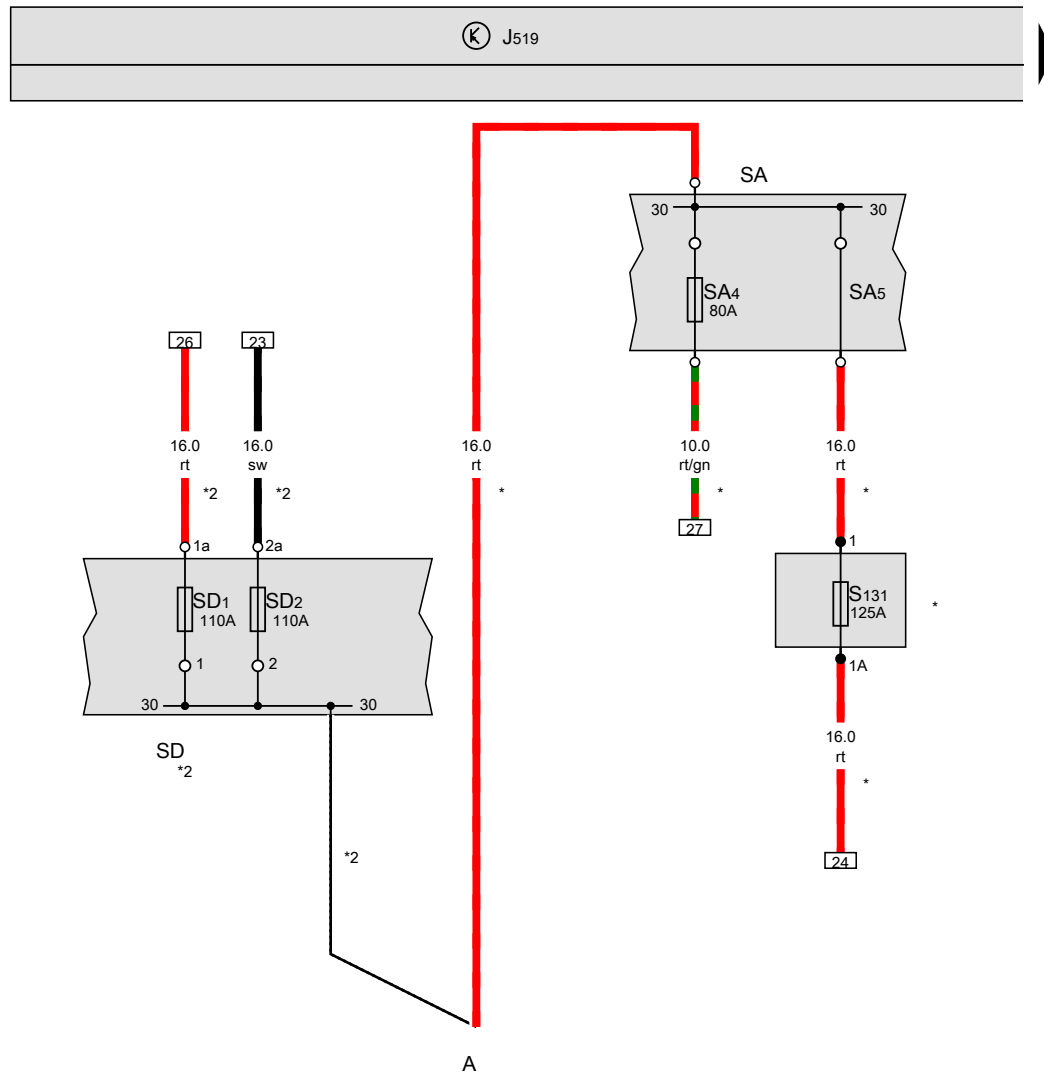
- ws = white
- sw = black
- ro = red
- rt = red
- br = brown
- gn = green
- bl = blue
- gr = grey
- li = purple
- vi = purple
- ge = yellow
- or = orange
- rs = pink

Convenience system with rear manually operated window regulators , (L0L)

From May 2016

Battery, Fuse holder A, Fuse holder D

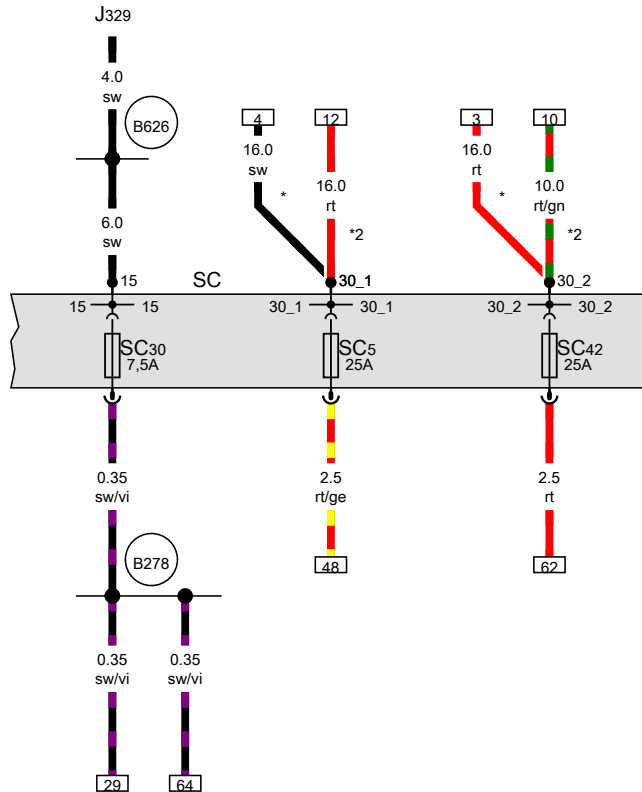
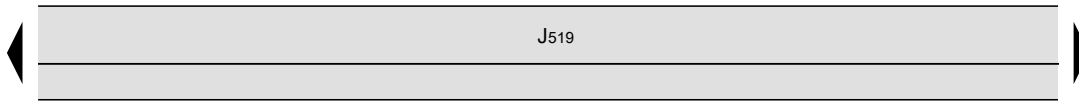
- A Battery
- J519 Onboard supply control unit
- SA Fuse holder A
- SD Fuse holder D
- SD1 Fuse 1 on fuse holder D
- SD2 Fuse 2 on fuse holder D
- SA4 Fuse 4 in fuse holder A
- SA5 Fuse 5 in fuse holder A
- S131 Fuse 1, in main wiring harness
- * Only models with battery in engine compartment
- *2 Only models with battery in luggage compartment



- ws = white
- sw = black
- ro = red
- rt = red
- br = brown
- gn = green
- bl = blue
- gr = grey
- li = purple
- vi = purple
- ge = yellow
- or = orange
- rs = pink

1 2 3 4 5 6 7 8 9 10 11 12 13 14

[NH0-149020516]



Fuse holder C

- J329 Terminal 15 voltage supply relay
- J519 Onboard supply control unit
- SC Fuse holder C
- SC5 Fuse 5 on fuse holder C
- SC30 Fuse 30 on fuse holder C
- SC42 Fuse 42 on fuse holder C

B278 Positive connection 2 (15a) in main wiring harness

B626 Positive connection 2 (15), in main wiring harness

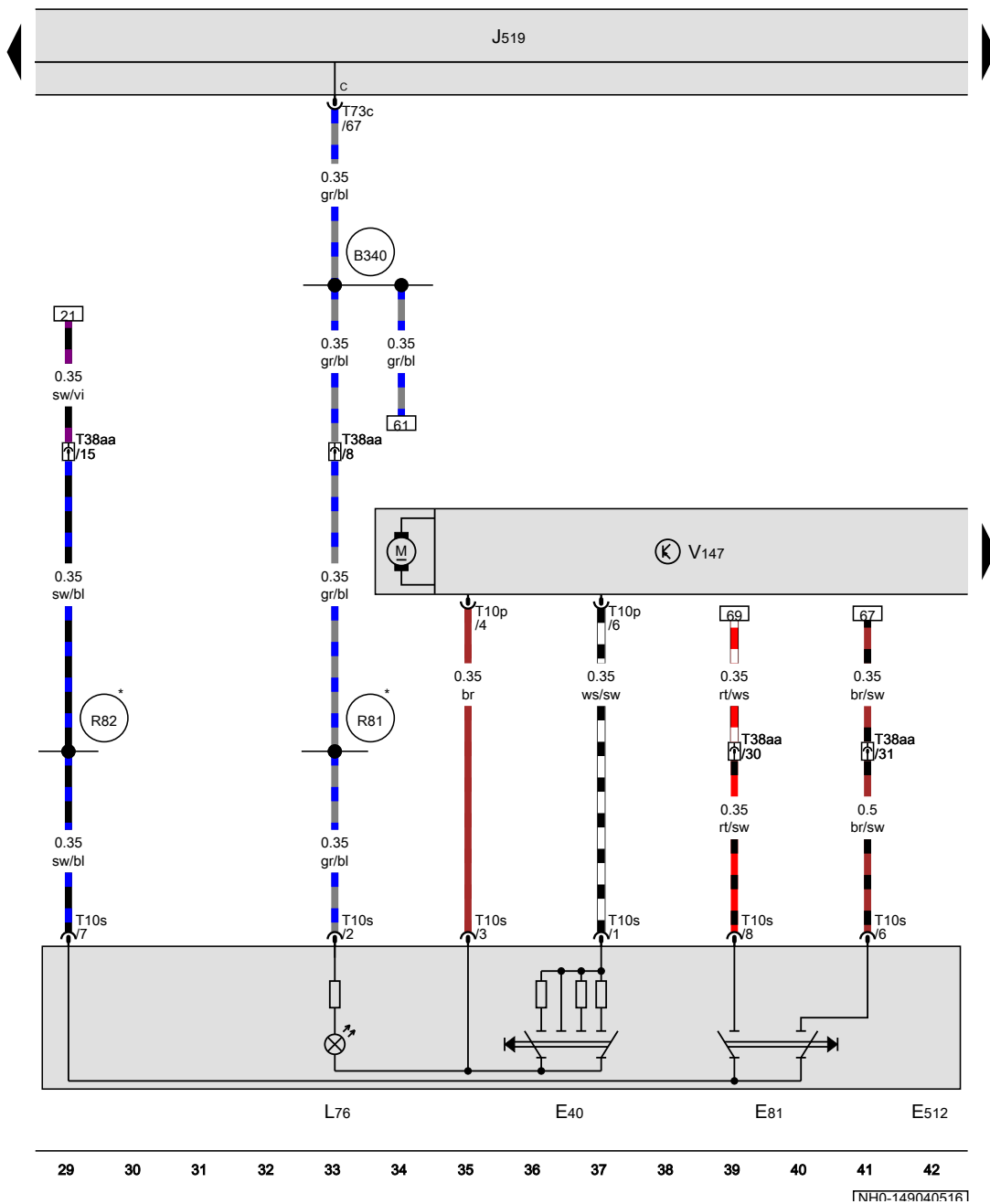
* Only models with battery in luggage compartment

*2 Only models with battery in engine compartment

- ws = white
- sw = black
- ro = red
- rt = red
- br = brown
- gn = green
- bl = blue
- gr = grey
- li = purple
- vi = purple
- ge = yellow
- or = orange
- rs = pink

15 16 17 18 19 20 21 22 23 24 25 26 27 28

[NH0-149030516]



Operating unit for window regulator in driver door, Driver side window regulator motor

- E40 Front left window regulator switch
- E81 Front right window regulator switch in driver door
- E512 Operating unit for window regulator in driver door
- J519 Onboard supply control unit
- L76 Button illumination bulb
- T10p 10-pin connector
- T10s 10-pin connector
- T38aa 38-pin connector, on left A-pillar
- T73c 73-pin connector, black
- V147 Driver side window regulator motor

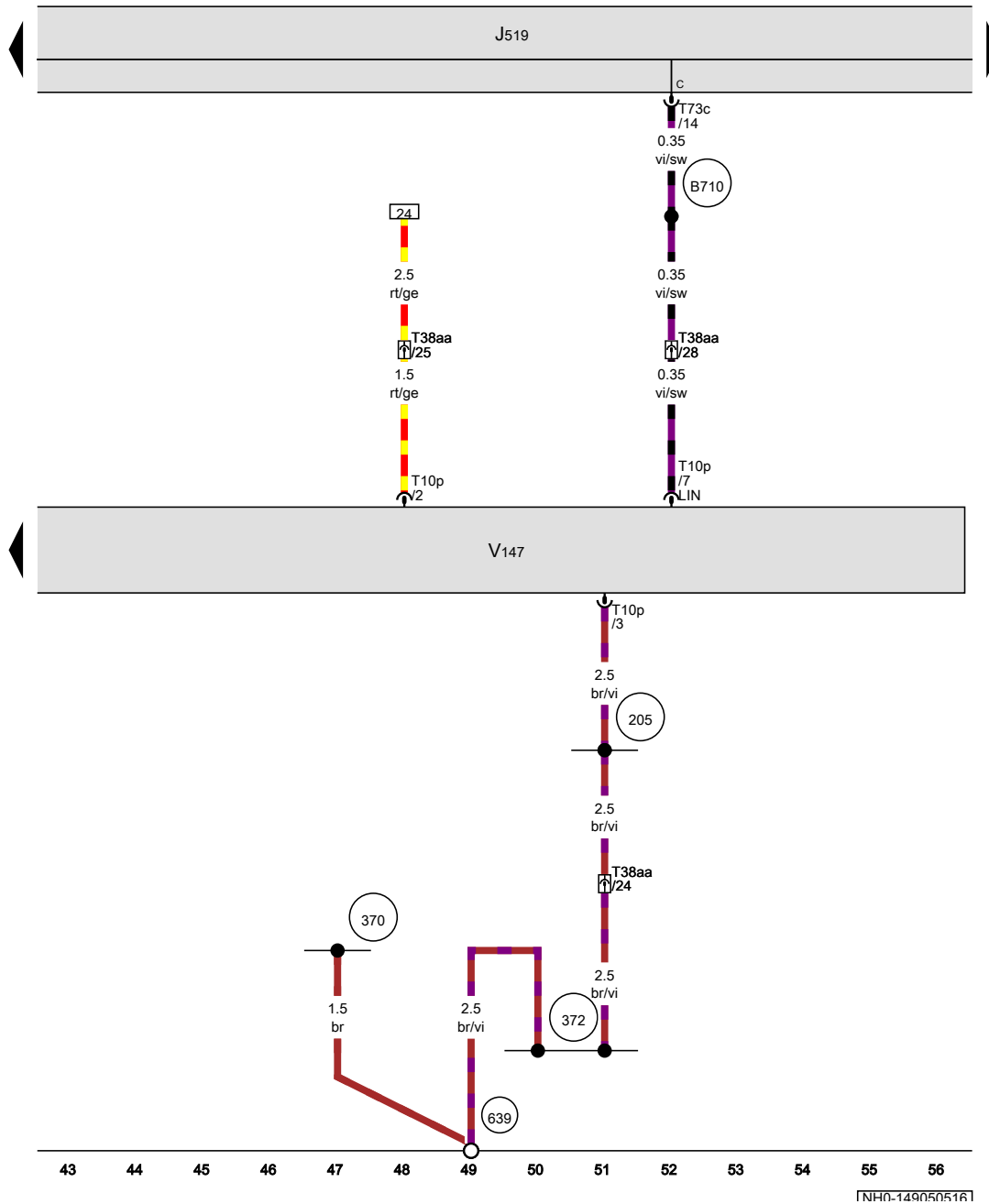
- B340 Connection 1 (58d), in main wiring harness
- R81 Connection 1 (58d), in driver side door wiring harness
- R82 Positive connection 1 (15a), in driver side door wiring harness
- * Only models with electrically adjustable exterior mirrors

- ws = white
- sw = black
- ro = red
- rt = red
- br = brown
- gn = green
- bl = blue
- gr = grey
- li = purple
- vi = purple
- ge = yellow
- or = orange
- rs = pink

Driver side window regulator motor

- J519 Onboard supply control unit
- T10p 10-pin connector
- T38aa 38-pin connector, on left A-pillar
- T73c 73-pin connector, black
- V147 Driver side window regulator motor

- 205 Earth connection, in driver door wiring harness
- 370 Earth connection 5, in main wiring harness
- 372 Earth connection 7, in main wiring harness
- 639 Earth point, left A-pillar
- B710 Connection 5 (LIN bus) in main wiring harness



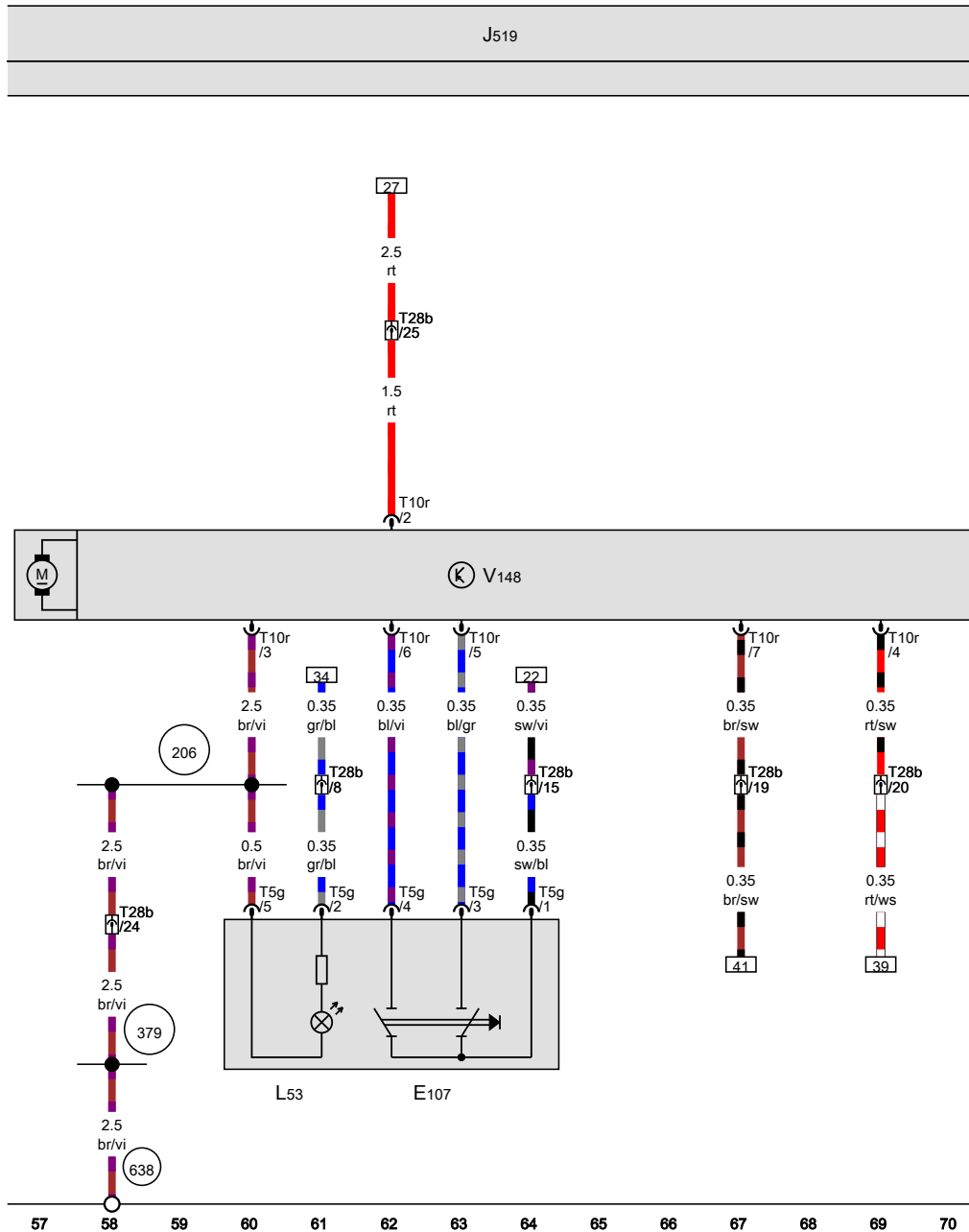
- ws = white
- sw = black
- ro = red
- rt = red
- br = brown
- gn = green
- bl = blue
- gr = grey
- li = purple
- vi = purple
- ge = yellow
- or = orange
- rs = pink

[NH0-149050516]

Window regulator switch in front passenger door, Front passenger side window regulator motor

- E107 Window regulator switch in front passenger door
- J519 Onboard supply control unit
- L53 Window regulator switch illumination bulb
- T5g 5-pin connector
- T10r 10-pin connector
- T28b 28-pin connector, on right A-pillar
- V148 Front passenger side window regulator motor

- 206 Earth connection, in front passenger door wiring harness
- 379 Earth connection 14, in main wiring harness
- 638 Earth point, on right A-pillar



- ws = white
- sw = black
- ro = red
- rt = red
- br = brown
- gn = green
- bl = blue
- gr = grey
- li = purple
- vi = purple
- ge = yellow
- or = orange
- rs = pink

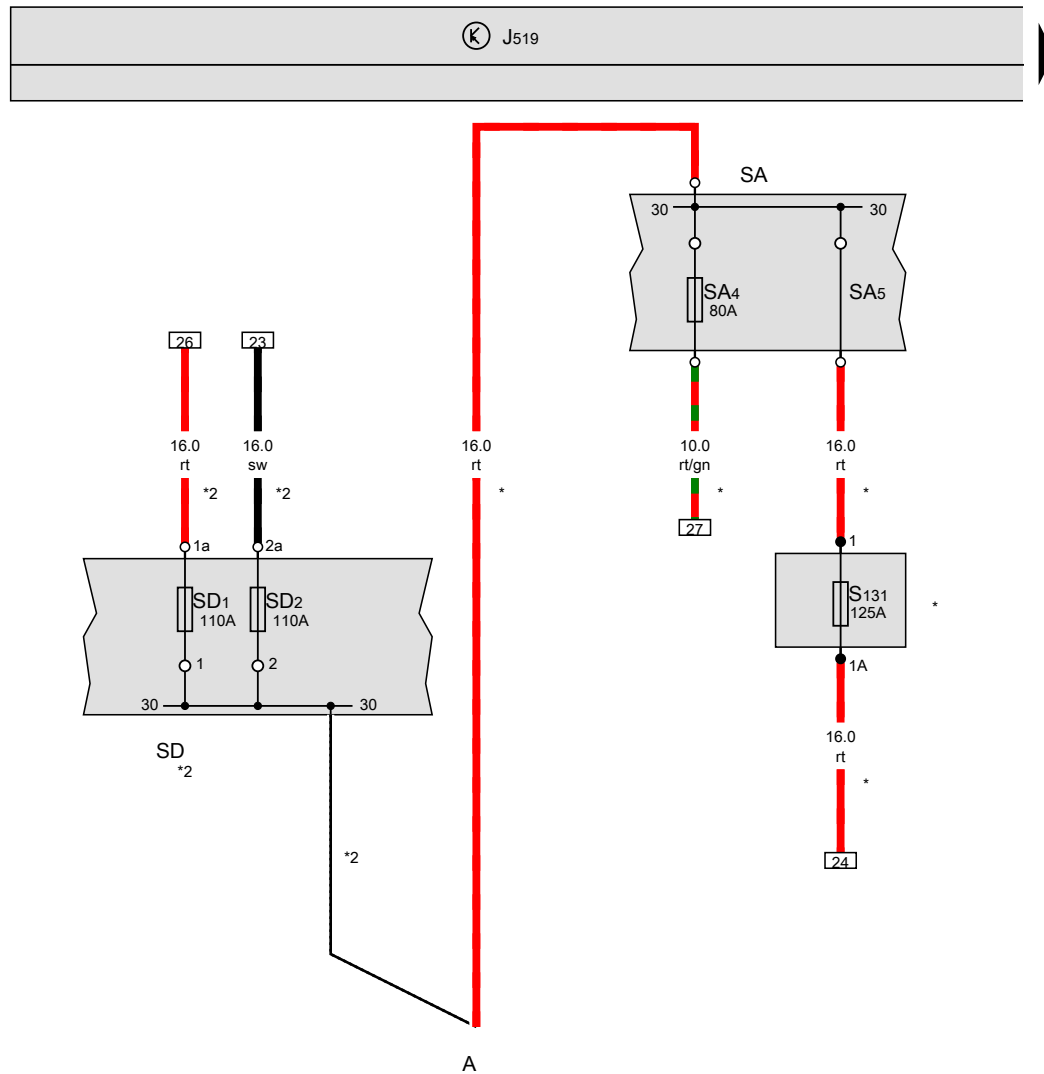
[NH0-149060516]

Convenience system with rear manually operated window regulators , (L0R)

From May 2016

Battery, Fuse holder A, Fuse holder D

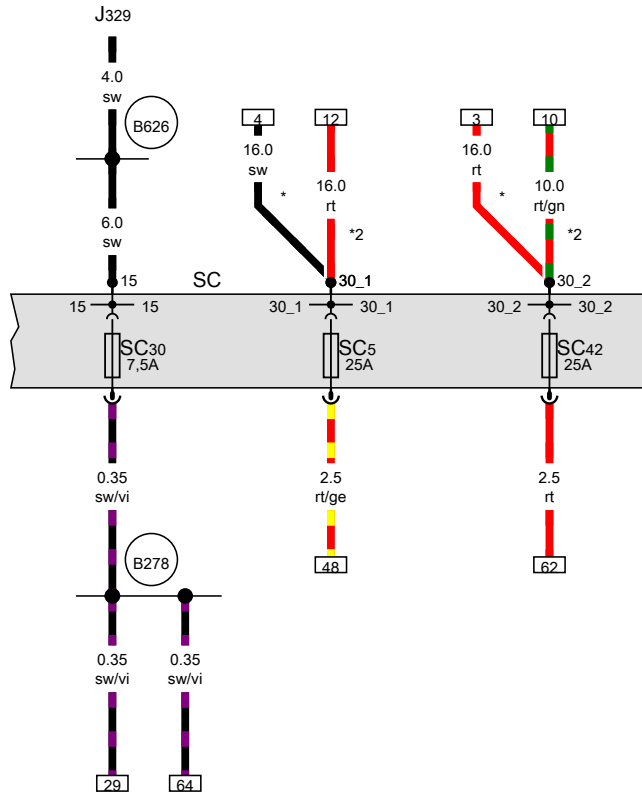
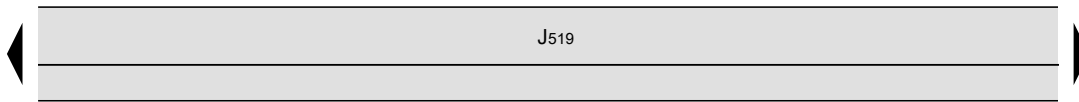
- A Battery
- J519 Onboard supply control unit
- SA Fuse holder A
- SD Fuse holder D
- SD1 Fuse 1 on fuse holder D
- SD2 Fuse 2 on fuse holder D
- SA4 Fuse 4 in fuse holder A
- SA5 Fuse 5 in fuse holder A
- S131 Fuse 1, in main wiring harness
- * Only models with battery in engine compartment
- *2 Only models with battery in luggage compartment



- ws = white
- sw = black
- ro = red
- rt = red
- br = brown
- gn = green
- bl = blue
- gr = grey
- li = purple
- vi = purple
- ge = yellow
- or = orange
- rs = pink

1 2 3 4 5 6 7 8 9 10 11 12 13 14

[NH0-150020516]



Fuse holder C

- J329 Terminal 15 voltage supply relay
- J519 Onboard supply control unit
- SC Fuse holder C
- SC5 Fuse 5 on fuse holder C
- SC30 Fuse 30 on fuse holder C
- SC42 Fuse 42 on fuse holder C

B278 Positive connection 2 (15a) in main wiring harness

B626 Positive connection 2 (15), in main wiring harness

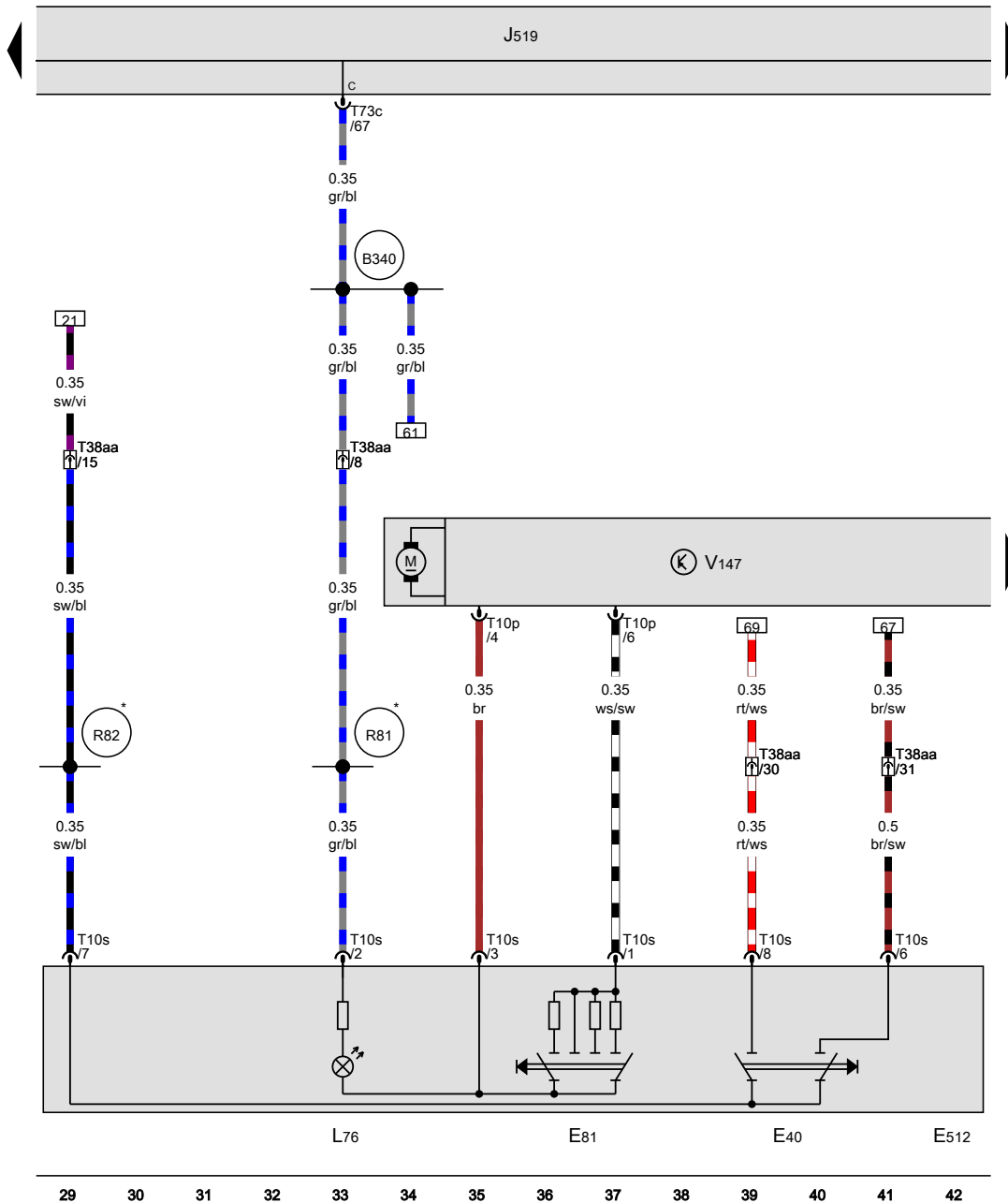
* Only models with battery in luggage compartment

*2 Only models with battery in engine compartment

- ws = white
- sw = black
- ro = red
- rt = red
- br = brown
- gn = green
- bl = blue
- gr = grey
- li = purple
- vi = purple
- ge = yellow
- or = orange
- rs = pink

15 16 17 18 19 20 21 22 23 24 25 26 27 28

[NH0-150030516]



Operating unit for window regulator in driver door, Driver side window regulator motor

- E40 Front left window regulator switch
- E81 Front right window regulator switch in driver door
- E512 Operating unit for window regulator in driver door
- J519 Onboard supply control unit
- L76 Button illumination bulb
- T10p 10-pin connector
- T10s 10-pin connector
- T38aa 38-pin connector, on right A-pillar
- T73c 73-pin connector, black
- V147 Driver side window regulator motor

- B340 Connection 1 (58d), in main wiring harness
- R81 Connection 1 (58d), in driver side door wiring harness
- R82 Positive connection 1 (15a), in driver side door wiring harness
- * Only models with electrically adjustable exterior mirrors

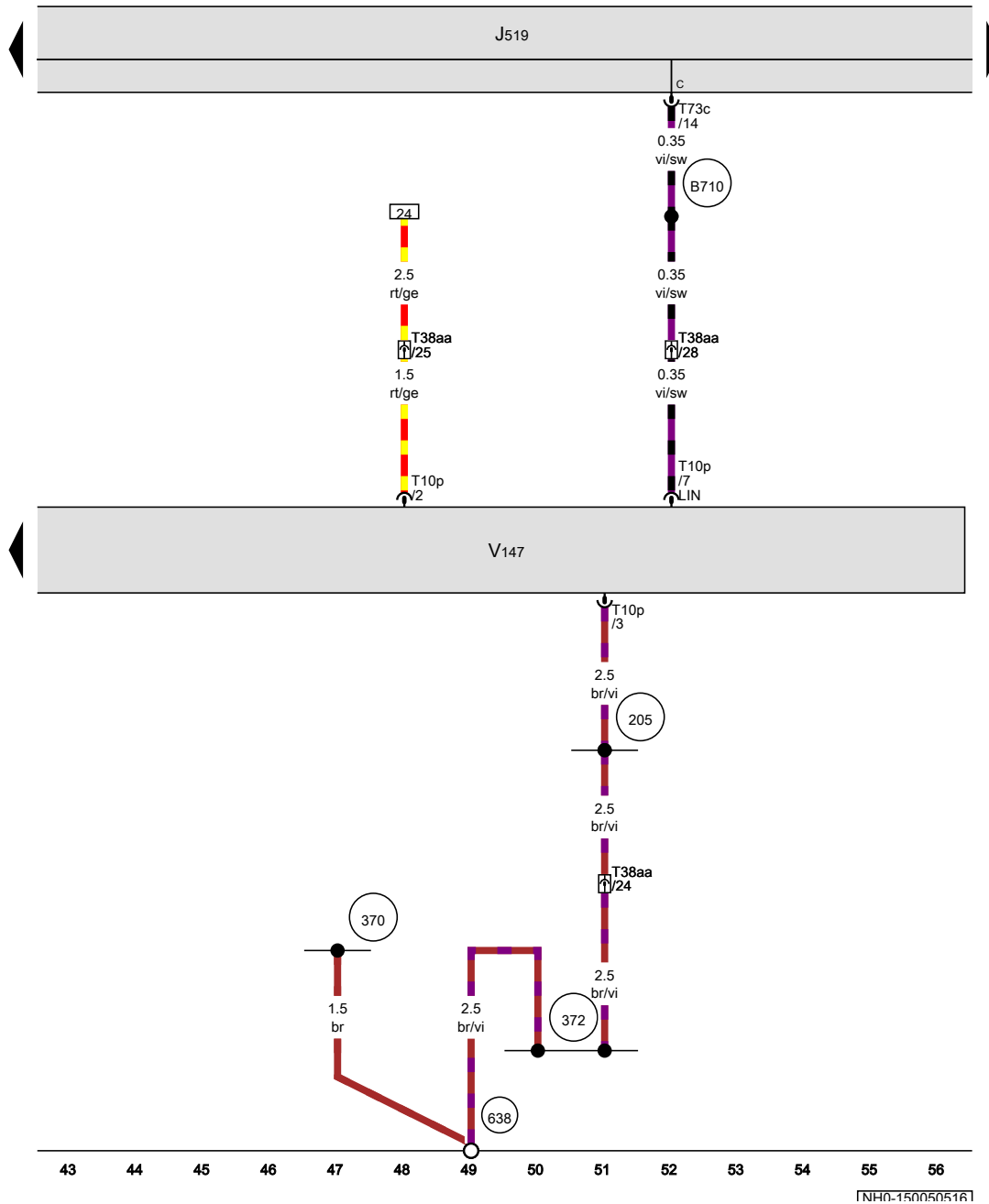
- ws = white
- sw = black
- ro = red
- rt = red
- br = brown
- gn = green
- bl = blue
- gr = grey
- li = purple
- vi = purple
- ge = yellow
- or = orange
- rs = pink

1NH0-1500405161

Driver side window regulator motor

- J519 Onboard supply control unit
- T10p 10-pin connector
- T38aa 38-pin connector, on right A-pillar
- T73c 73-pin connector, black
- V147 Driver side window regulator motor

- 205 Earth connection, in driver door wiring harness
- 370 Earth connection 5, in main wiring harness
- 372 Earth connection 7, in main wiring harness
- 638 Earth point, on right A-pillar
- B710 Connection 5 (LIN bus) in main wiring harness



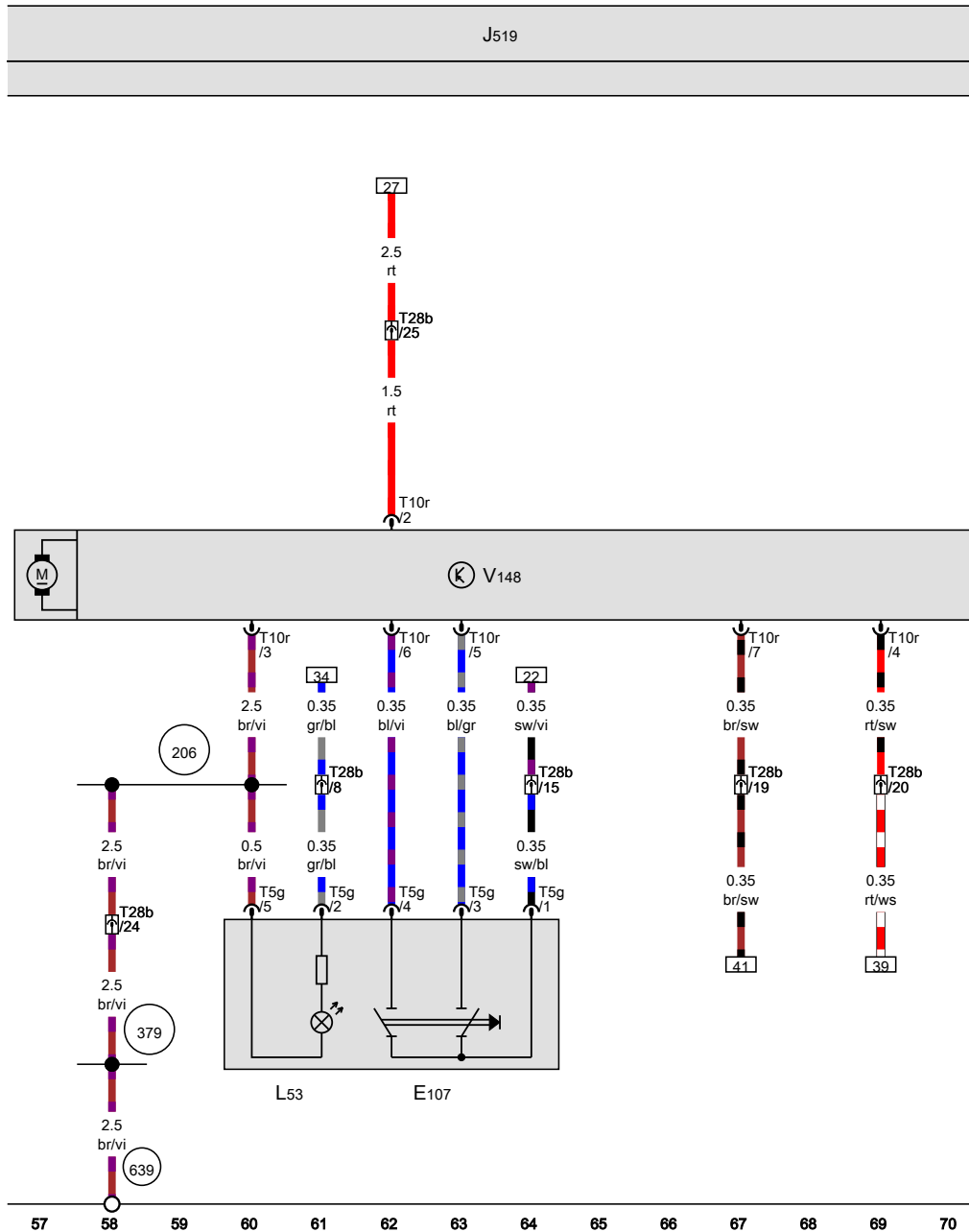
- ws = white
- sw = black
- ro = red
- rt = red
- br = brown
- gn = green
- bl = blue
- gr = grey
- li = purple
- vi = purple
- ge = yellow
- or = orange
- rs = pink

[NH0-150050516]

Window regulator switch in front passenger door, Front passenger side window regulator motor

- E107 Window regulator switch in front passenger door
- J519 Onboard supply control unit
- L53 Window regulator switch illumination bulb
- T5g 5-pin connector
- T10r 10-pin connector
- T28b 28-pin connector, on left A-pillar
- V148 Front passenger side window regulator motor

- 206 Earth connection, in front passenger door wiring harness
- 379 Earth connection 14, in main wiring harness
- 639 Earth point, left A-pillar



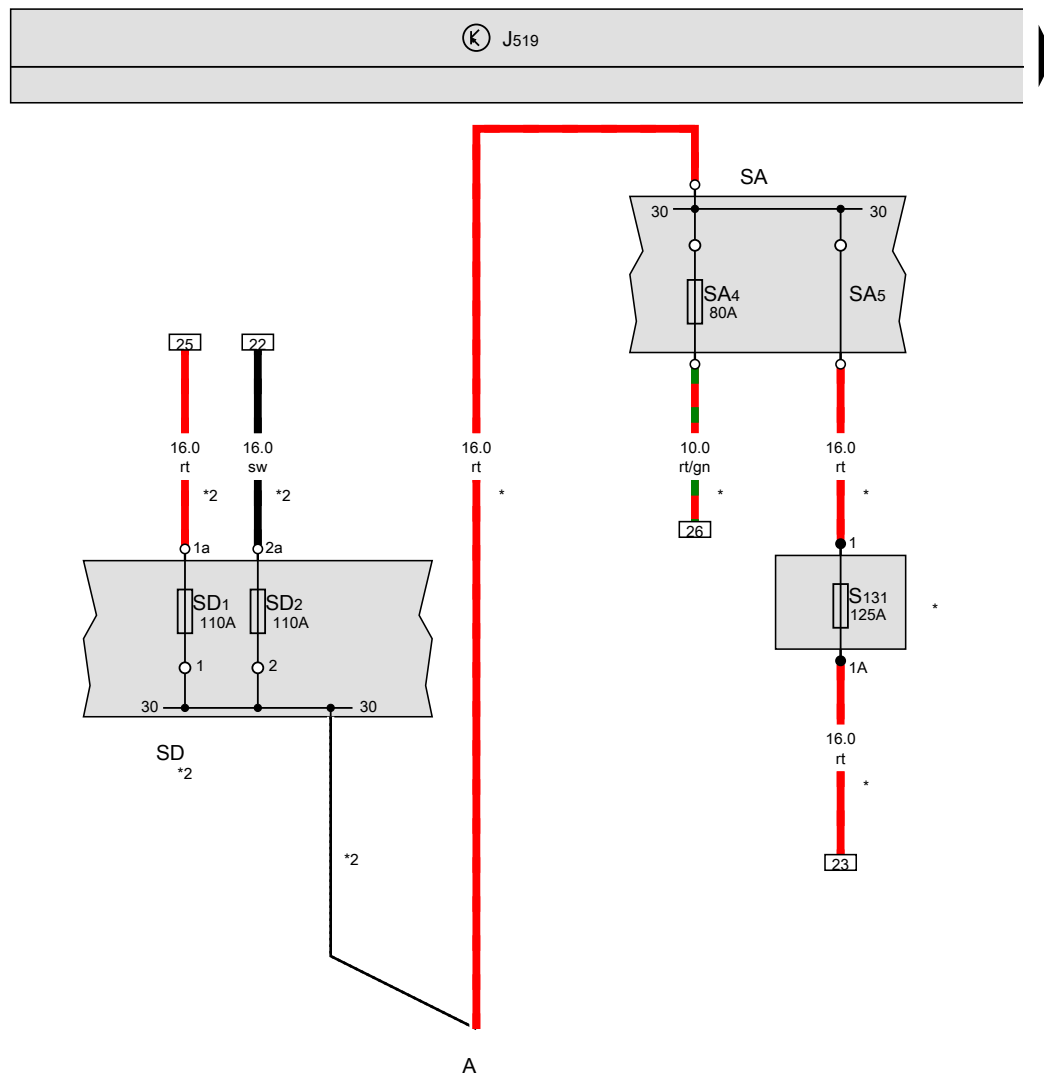
- ws = white
- sw = black
- ro = red
- rt = red
- br = brown
- gn = green
- bl = blue
- gr = grey
- li = purple
- vi = purple
- ge = yellow
- or = orange
- rs = pink

Convenience system with electric window regulators , (L0L)

From May 2016

Battery, Fuse holder A, Fuse holder D

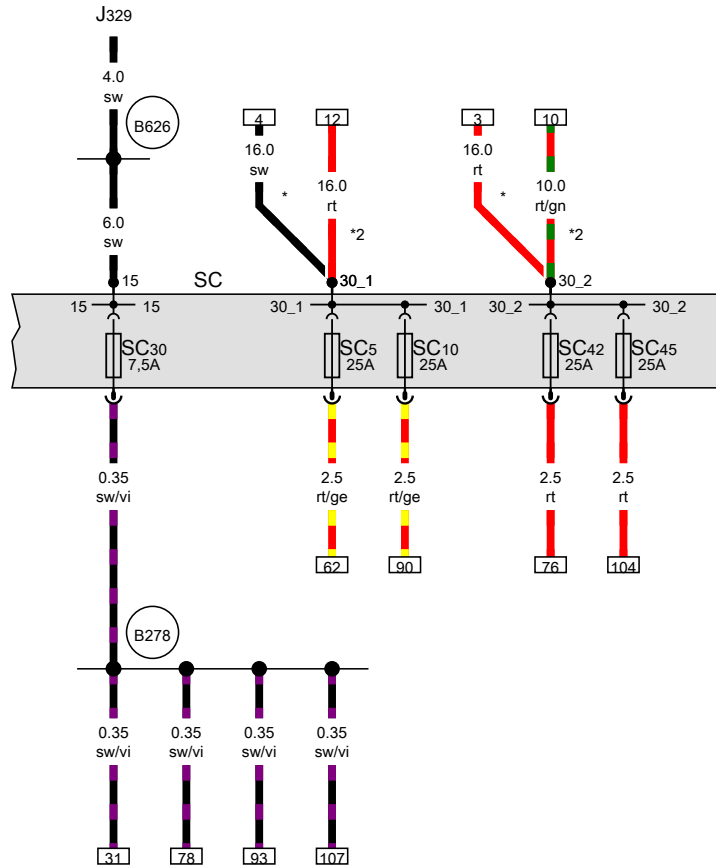
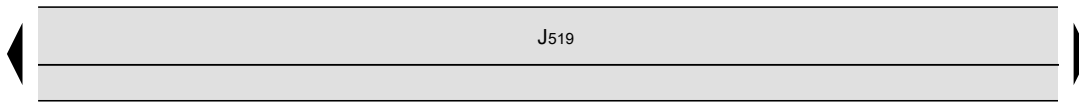
- A Battery
- J519 Onboard supply control unit
- SA Fuse holder A
- SD Fuse holder D
- SD1 Fuse 1 on fuse holder D
- SD2 Fuse 2 on fuse holder D
- SA4 Fuse 4 in fuse holder A
- SA5 Fuse 5 in fuse holder A
- S131 Fuse 1, in main wiring harness
- * Only models with battery in engine compartment
- *2 Only models with battery in luggage compartment



- ws = white
- sw = black
- ro = red
- rt = red
- br = brown
- gn = green
- bl = blue
- gr = grey
- li = purple
- vi = purple
- ge = yellow
- or = orange
- rs = pink

1 2 3 4 5 6 7 8 9 10 11 12 13 14

[NH0-151020516]



Fuse holder C

- J329 Terminal 15 voltage supply relay
- J519 Onboard supply control unit
- SC Fuse holder C
- SC5 Fuse 5 on fuse holder C
- SC10 Fuse 10 on fuse holder C
- SC30 Fuse 30 on fuse holder C
- SC42 Fuse 42 on fuse holder C
- SC45 Fuse 45 on fuse holder C

B278 Positive connection 2 (15a) in main wiring harness

B626 Positive connection 2 (15), in main wiring harness

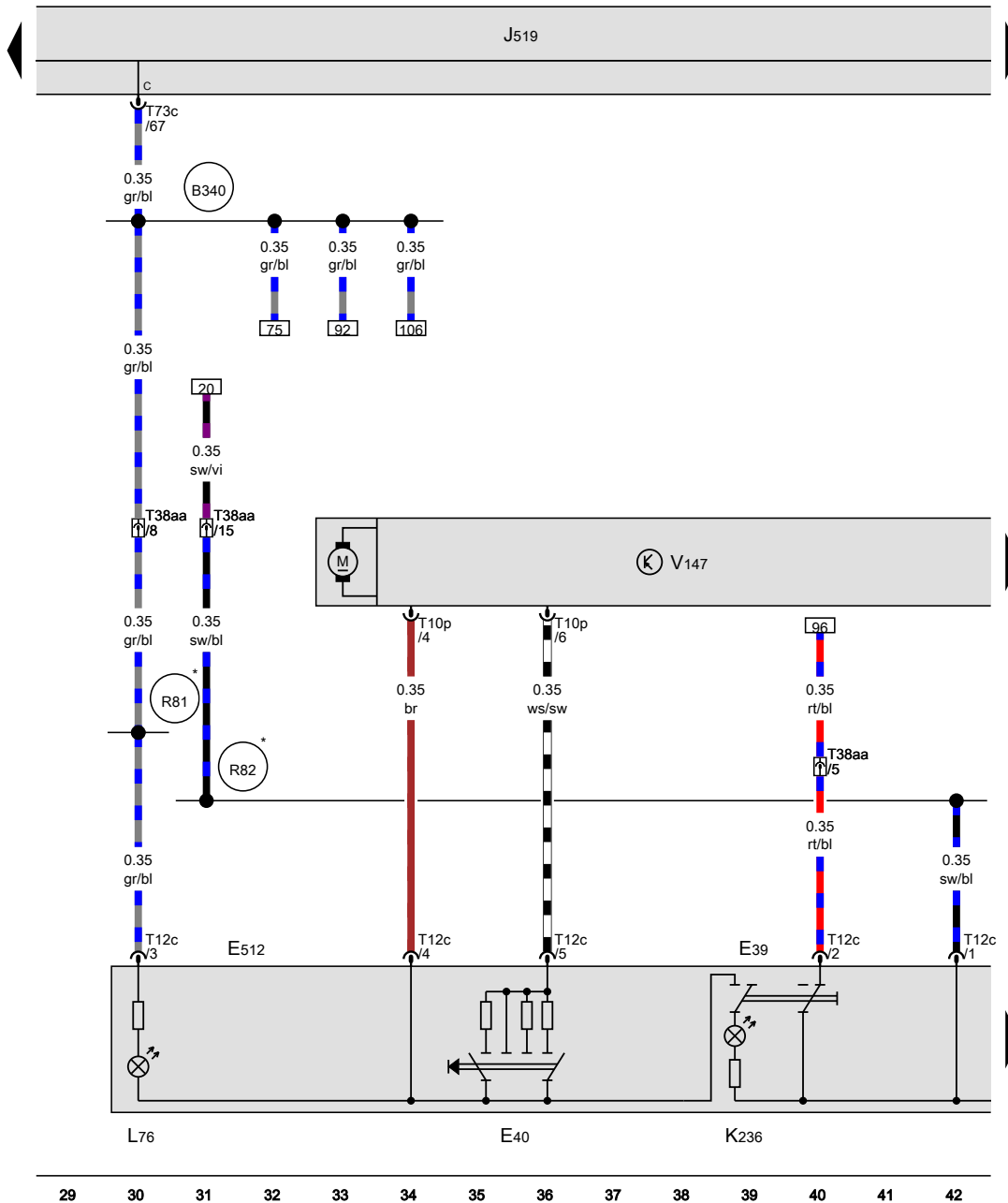
* Only models with battery in luggage compartment

*2 Only models with battery in engine compartment

- ws = white
- sw = black
- ro = red
- rt = red
- br = brown
- gn = green
- bl = blue
- gr = grey
- li = purple
- vi = purple
- ge = yellow
- or = orange
- rs = pink

15 16 17 18 19 20 21 22 23 24 25 26 27 28

[NH0-151030516]



Operating unit for window regulator in driver door, Driver side window regulator motor

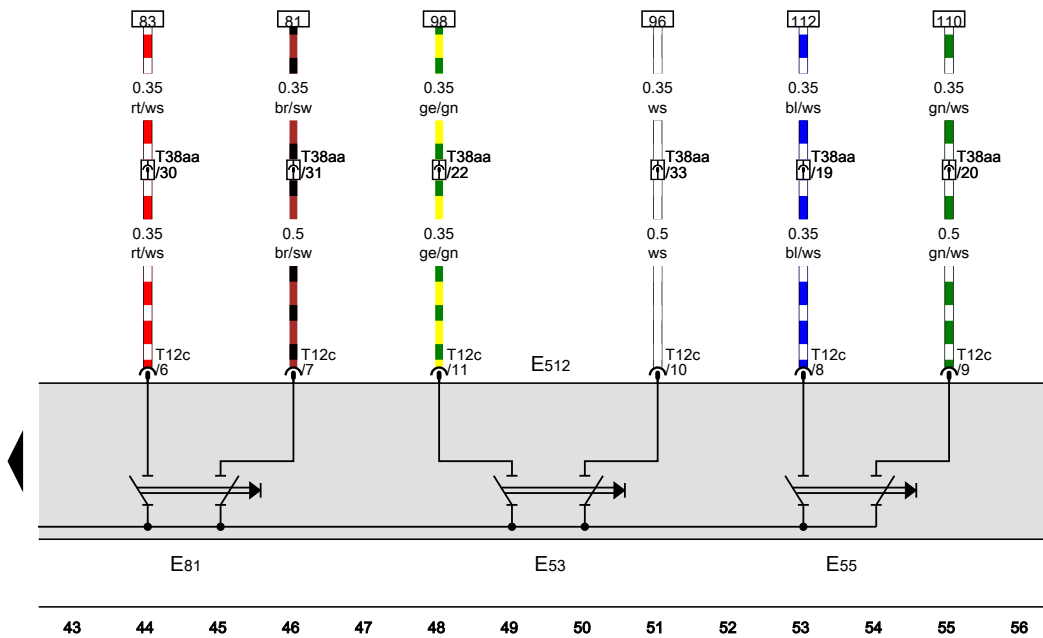
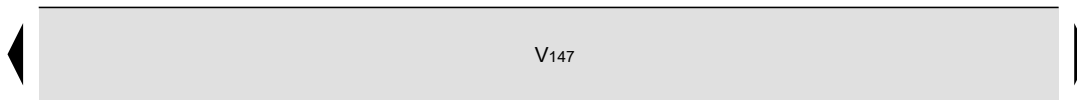
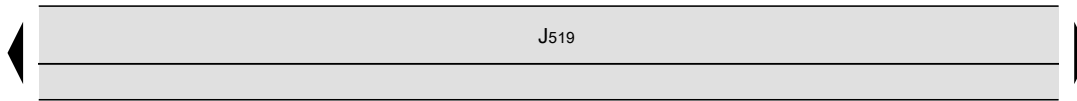
- E39 Rear window regulator isolation switch
- E40 Front left window regulator switch
- E512 Operating unit for window regulator in driver door
- J519 Onboard supply control unit
- K236 Warning light for activated childproof lock
- L76 Button illumination bulb
- T10p 10-pin connector
- T12c 12-pin connector
- T38aa 38-pin connector, on left A-pillar
- T73c 73-pin connector, black
- V147 Driver side window regulator motor
- B340 Connection 1 (58d), in main wiring harness
- R81 Connection 1 (58d), in driver side door wiring harness
- R82 Positive connection 1 (15a), in driver side door wiring harness
- * According to equipment

- ws = white
- sw = black
- ro = red
- rt = red
- br = brown
- gn = green
- bl = blue
- gr = grey
- li = purple
- vi = purple
- ge = yellow
- or = orange
- rs = pink

1NH0-1510405161

Operating unit for window regulator in driver door, Driver side window regulator motor

- E53 Rear left window regulator switch, in driver door
- E55 Rear right window regulator switch, in driver door
- E81 Front right window regulator switch in driver door
- E512 Operating unit for window regulator in driver door
- J519 Onboard supply control unit
- T12c 12-pin connector
- T38aa 38-pin connector, on left A-pillar
- V147 Driver side window regulator motor



- ws = white
- sw = black
- ro = red
- rt = red
- br = brown
- gn = green
- bl = blue
- gr = grey
- li = purple
- vi = purple
- ge = yellow
- or = orange
- rs = pink

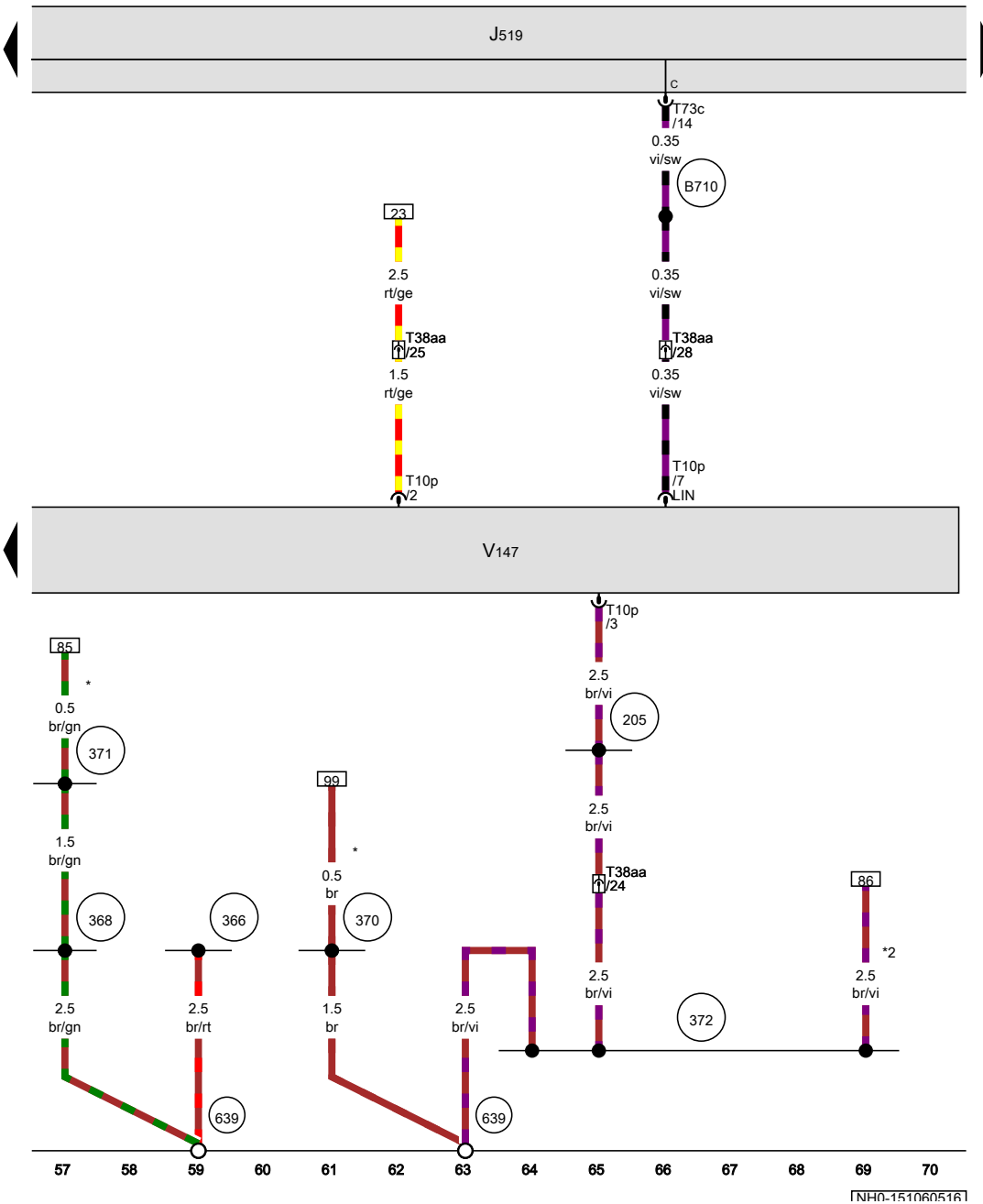
[NH0-151050516]

Driver side window regulator motor

- J519 Onboard supply control unit
- T10p 10-pin connector
- T38aa 38-pin connector, on left A-pillar
- T73c 73-pin connector, black
- V147 Driver side window regulator motor

- 205 Earth connection, in driver door wiring harness
- 366 Earth connection 1, in main wiring harness
- 368 Earth connection 3, in main wiring harness
- 370 Earth connection 5, in main wiring harness
- 371 Earth connection 6, in main wiring harness
- 372 Earth connection 7, in main wiring harness
- 639 Earth point, left A-pillar
- B710 Connection 5 (LIN bus) in main wiring harness

- * Only models with front window regulators
- *2 Only models with front and rear window regulators



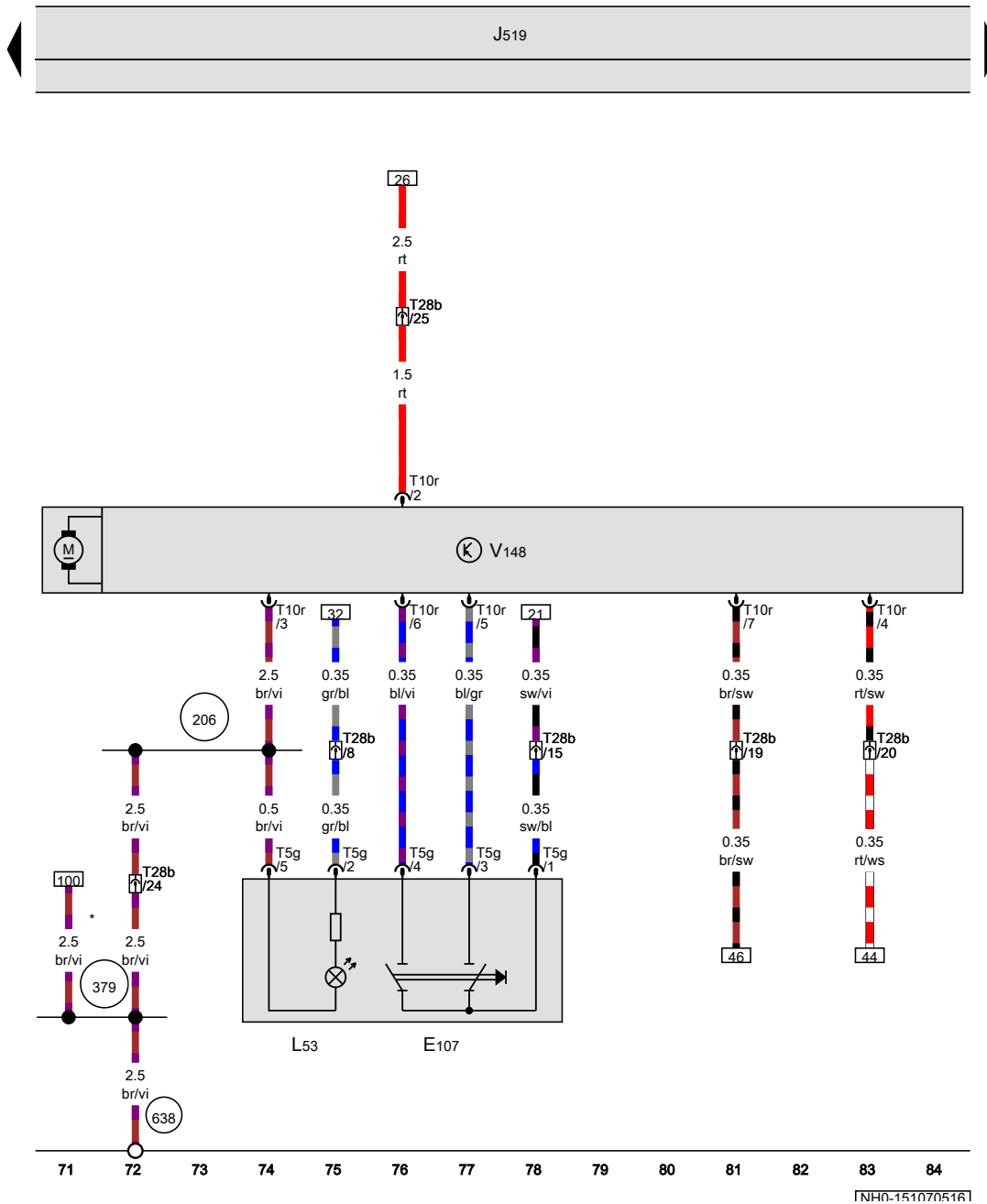
[NH0-151060516]

- ws = white
- sw = black
- ro = red
- rt = red
- br = brown
- gn = green
- bl = blue
- gr = grey
- li = purple
- vi = purple
- ge = yellow
- or = orange
- rs = pink

Window regulator switch in front passenger door, Front passenger side window regulator motor

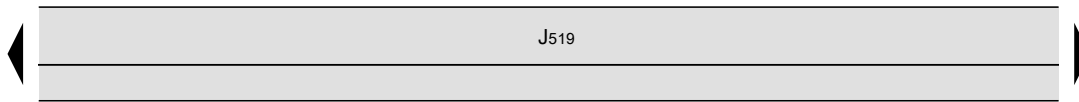
- E107 Window regulator switch in front passenger door
- J519 Onboard supply control unit
- L53 Window regulator switch illumination bulb
- T5g 5-pin connector
- T10r 10-pin connector
- T28b 28-pin connector, on right A-pillar
- V148 Front passenger side window regulator motor

- 206 Earth connection, in front passenger door wiring harness
- 379 Earth connection 14, in main wiring harness
- 638 Earth point, on right A-pillar
- * Only models with front and rear window regulators



- ws = white
- sw = black
- ro = red
- rt = red
- br = brown
- gn = green
- bl = blue
- gr = grey
- li = purple
- vi = purple
- ge = yellow
- or = orange
- rs = pink

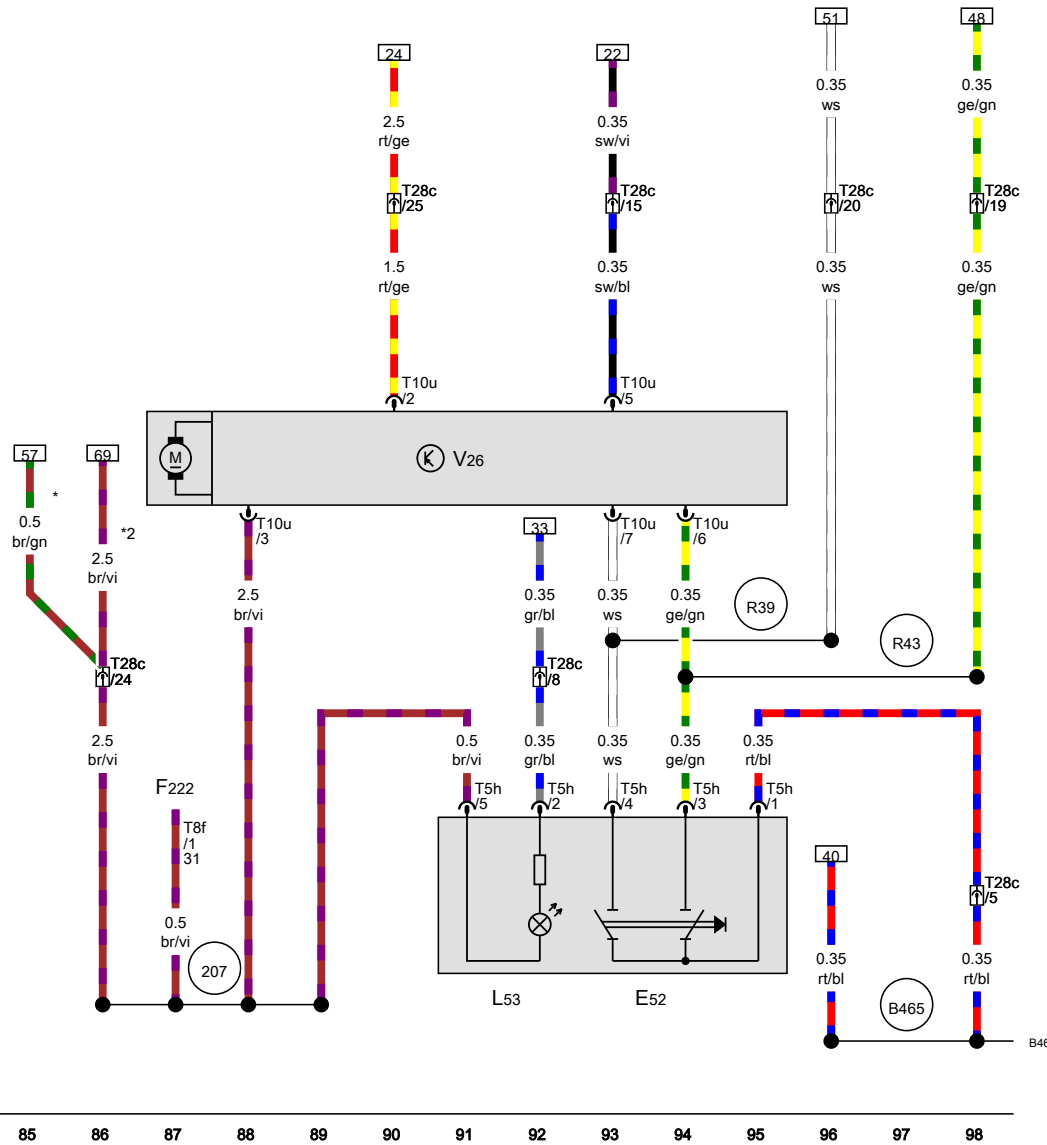
[NH0-151070516]



Rear left window regulator switch, in door, Rear left window regulator motor

- E52 Rear left window regulator switch, in door
- F222 Rear left central locking lock unit
- J519 Onboard supply control unit
- L53 Window regulator switch illumination bulb
- T5h 5-pin connector
- T8f 8-pin connector
- T10u 10-pin connector
- T28c 28-pin connector, on left B-pillar
- V26 Rear left window regulator motor

- (207) Earth connection, in rear left door wiring harness
- (B465) Connection 1, in main wiring harness
- (R39) Connection 1 (window regulator), in rear left door wiring harness
- (R43) Connection 2 (window regulator), in rear left door wiring harness
- * Only models with front window regulators
- *2 Only models with front and rear window regulators

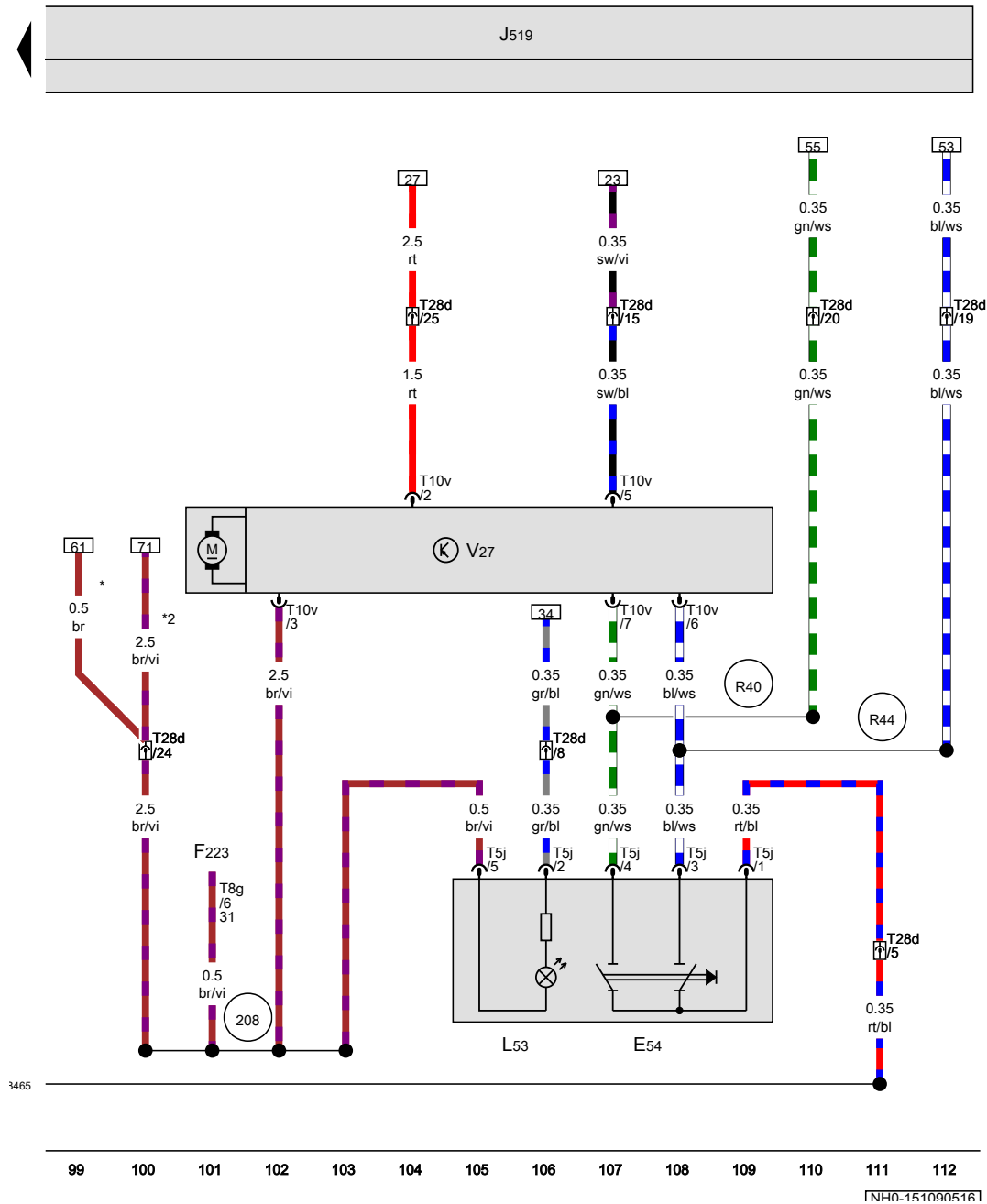


- ws = white
- sw = black
- ro = red
- rt = red
- br = brown
- gn = green
- bl = blue
- gr = grey
- li = purple
- vi = purple
- ge = yellow
- or = orange
- rs = pink

85 86 87 88 89 90 91 92 93 94 95 96 97 98

[NH0-1510R0516]

Rear right window regulator switch, in door, Rear right window regulator motor



- E54 Rear right window regulator switch, in door
- F223 Rear right central locking lock unit
- J519 Onboard supply control unit
- L53 Window regulator switch illumination bulb
- T5j 5-pin connector
- T8g 8-pin connector
- T10v 10-pin connector
- T28d 28-pin connector, on right B-pillar
- V27 Rear right window regulator motor

- (208) Earth connection, in rear right door wiring harness
- (B465) Connection 1, in main wiring harness
- (R40) Connection 1 (window regulator), in rear right door wiring harness
- (R44) Connection 2 (window regulator), in rear right door wiring harness
- * Only models with front window regulators
- *2 Only models with front and rear window regulators

- ws = white
- sw = black
- ro = red
- rt = red
- br = brown
- gn = green
- bl = blue
- gr = grey
- li = purple
- vi = purple
- ge = yellow
- or = orange
- rs = pink

3465

99 100 101 102 103 104 105 106 107 108 109 110 111 112

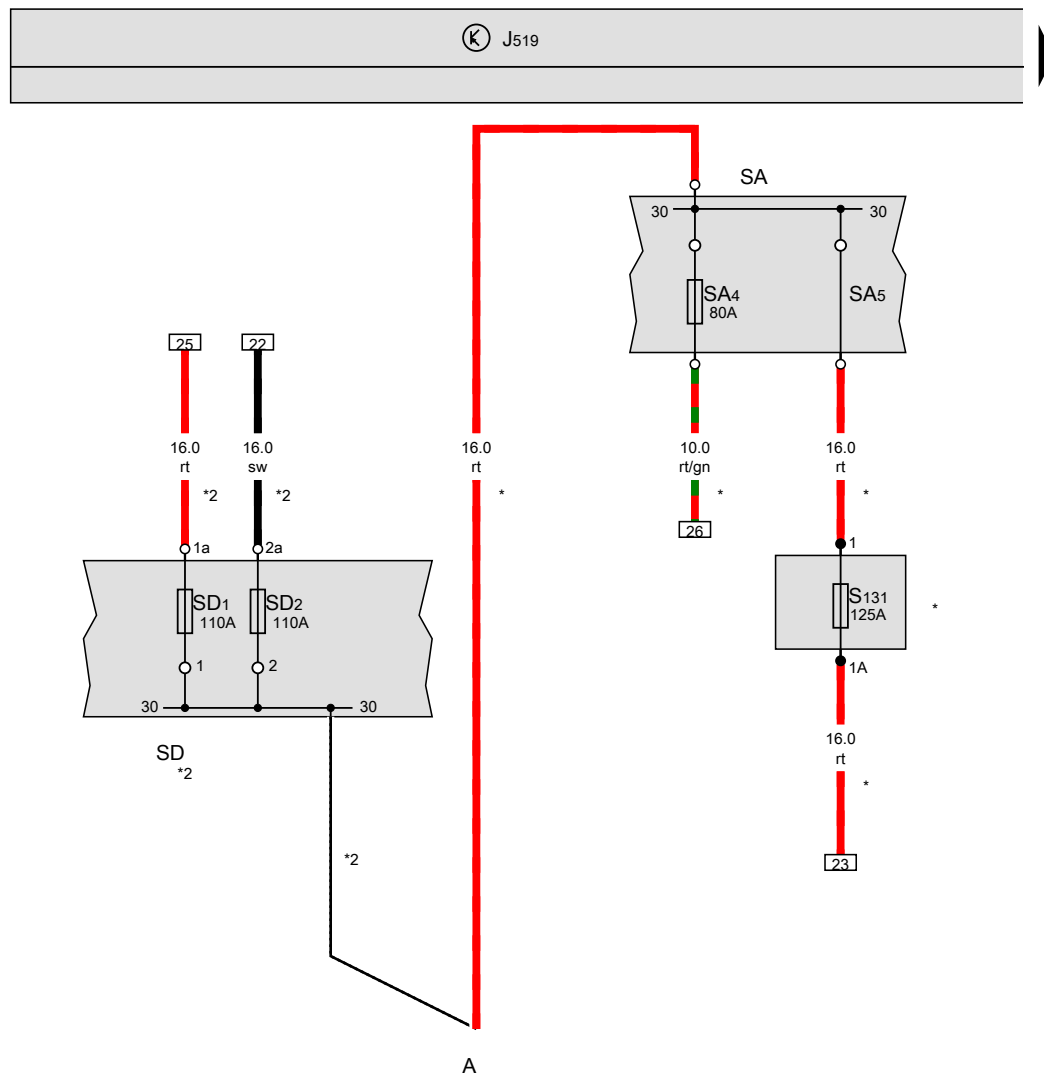
1NH0-151090516

Convenience system with electric window regulators , (L0R)

From May 2016

Battery, Fuse holder A, Fuse holder D

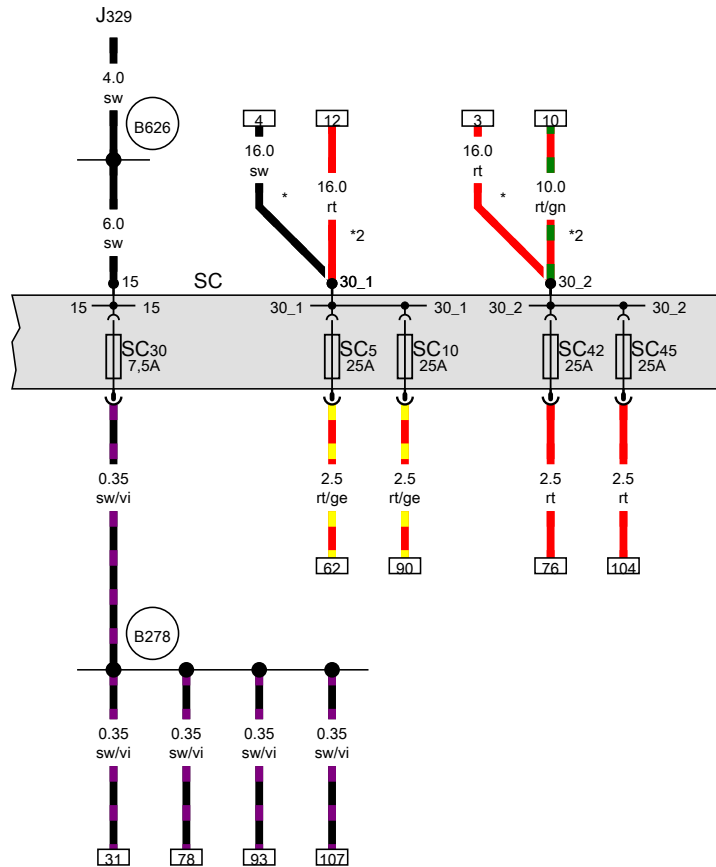
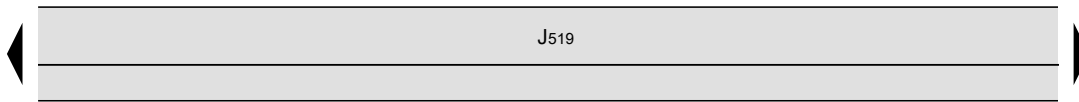
- A Battery
- J519 Onboard supply control unit
- SA Fuse holder A
- SD Fuse holder D
- SD1 Fuse 1 on fuse holder D
- SD2 Fuse 2 on fuse holder D
- SA4 Fuse 4 in fuse holder A
- SA5 Fuse 5 in fuse holder A
- S131 Fuse 1, in main wiring harness
- * Only models with battery in engine compartment
- *2 Only models with battery in luggage compartment



- ws = white
- sw = black
- ro = red
- rt = red
- br = brown
- gn = green
- bl = blue
- gr = grey
- li = purple
- vi = purple
- ge = yellow
- or = orange
- rs = pink

1 2 3 4 5 6 7 8 9 10 11 12 13 14

[NH0-152020516]



Fuse holder C

- J329 Terminal 15 voltage supply relay
- J519 Onboard supply control unit
- SC Fuse holder C
- SC5 Fuse 5 on fuse holder C
- SC10 Fuse 10 on fuse holder C
- SC30 Fuse 30 on fuse holder C
- SC42 Fuse 42 on fuse holder C
- SC45 Fuse 45 on fuse holder C

B278 Positive connection 2 (15a) in main wiring harness

B626 Positive connection 2 (15), in main wiring harness

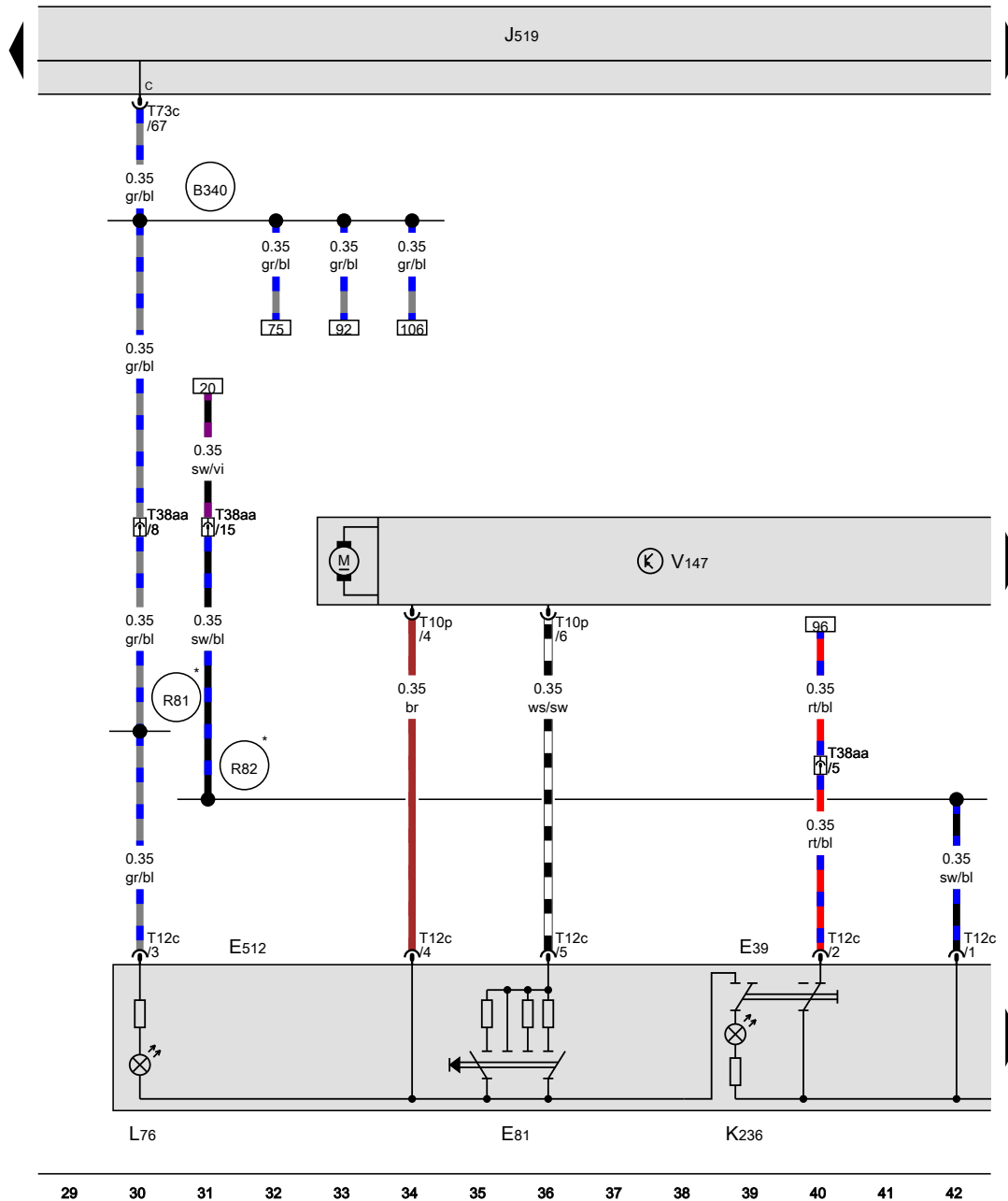
* Only models with battery in luggage compartment

*2 Only models with battery in engine compartment

- ws = white
- sw = black
- ro = red
- rt = red
- br = brown
- gn = green
- bl = blue
- gr = grey
- li = purple
- vi = purple
- ge = yellow
- or = orange
- rs = pink

15 16 17 18 19 20 21 22 23 24 25 26 27 28

[NH0-152030516]



Operating unit for window regulator in driver door, Driver side window regulator motor

- E39 Rear window regulator isolation switch
- E81 Front right window regulator switch in driver door
- E512 Operating unit for window regulator in driver door
- J519 Onboard supply control unit
- K236 Warning light for activated childproof lock
- L76 Button illumination bulb
- T10p 10-pin connector
- T12c 12-pin connector
- T38aa 38-pin connector, on right A-pillar
- T73c 73-pin connector, black
- V147 Driver side window regulator motor

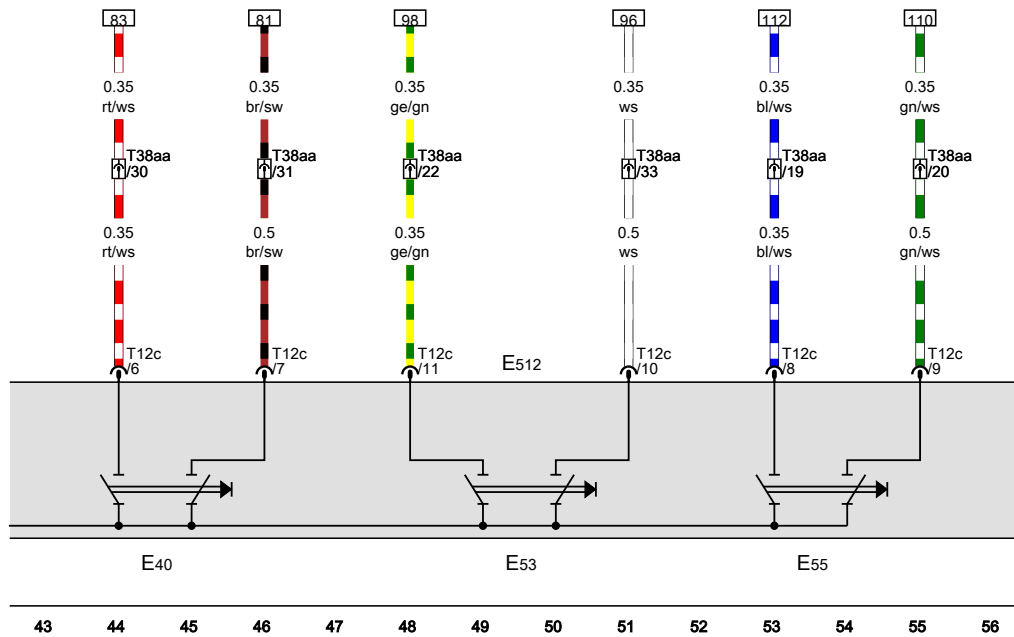
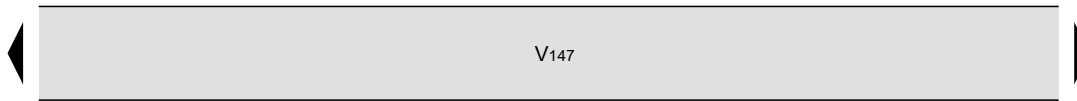
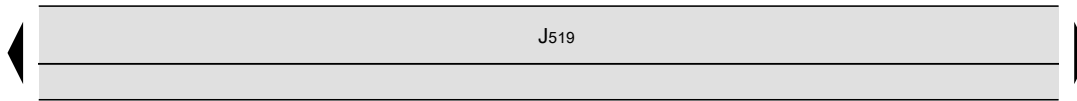
- B340 Connection 1 (58d), in main wiring harness
- R81 Connection 1 (58d), in driver side door wiring harness
- R82 Positive connection 1 (15a), in driver side door wiring harness
- * According to equipment

- ws = white
- sw = black
- ro = red
- rt = red
- br = brown
- gn = green
- bl = blue
- gr = grey
- li = purple
- vi = purple
- ge = yellow
- or = orange
- rs = pink

[NH0-152040516]

Operating unit for window regulator in driver door, Driver side window regulator motor

- E40 Front left window regulator switch
- E53 Rear left window regulator switch, in driver door
- E55 Rear right window regulator switch, in driver door
- E512 Operating unit for window regulator in driver door
- J519 Onboard supply control unit
- T12c 12-pin connector
- T38aa 38-pin connector, on right A-pillar
- V147 Driver side window regulator motor



- ws = white
- sw = black
- ro = red
- rt = red
- br = brown
- gn = green
- bl = blue
- gr = grey
- li = purple
- vi = purple
- ge = yellow
- or = orange
- rs = pink

43 44 45 46 47 48 49 50 51 52 53 54 55 56

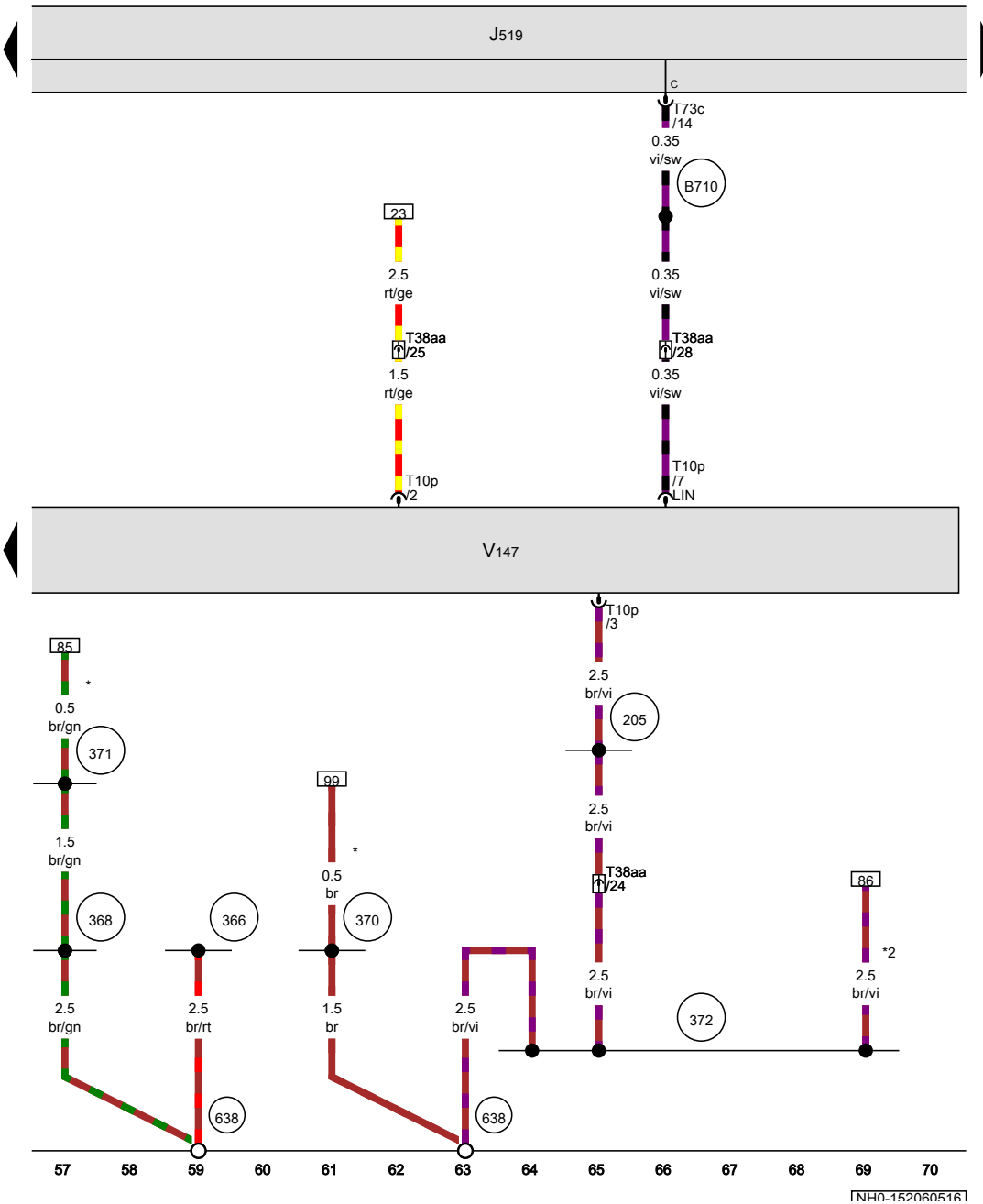
[NH0-152050516]

Driver side window regulator motor

- J519 Onboard supply control unit
- T10p 10-pin connector
- T38aa 38-pin connector, on right A-pillar
- T73c 73-pin connector, black
- V147 Driver side window regulator motor

- 205 Earth connection, in driver door wiring harness
- 366 Earth connection 1, in main wiring harness
- 368 Earth connection 3, in main wiring harness
- 370 Earth connection 5, in main wiring harness
- 371 Earth connection 6, in main wiring harness
- 372 Earth connection 7, in main wiring harness
- 638 Earth point, on right A-pillar
- B710 Connection 5 (LIN bus) in main wiring harness

- * Only models with front window regulators
- *2 Only models with front and rear window regulators



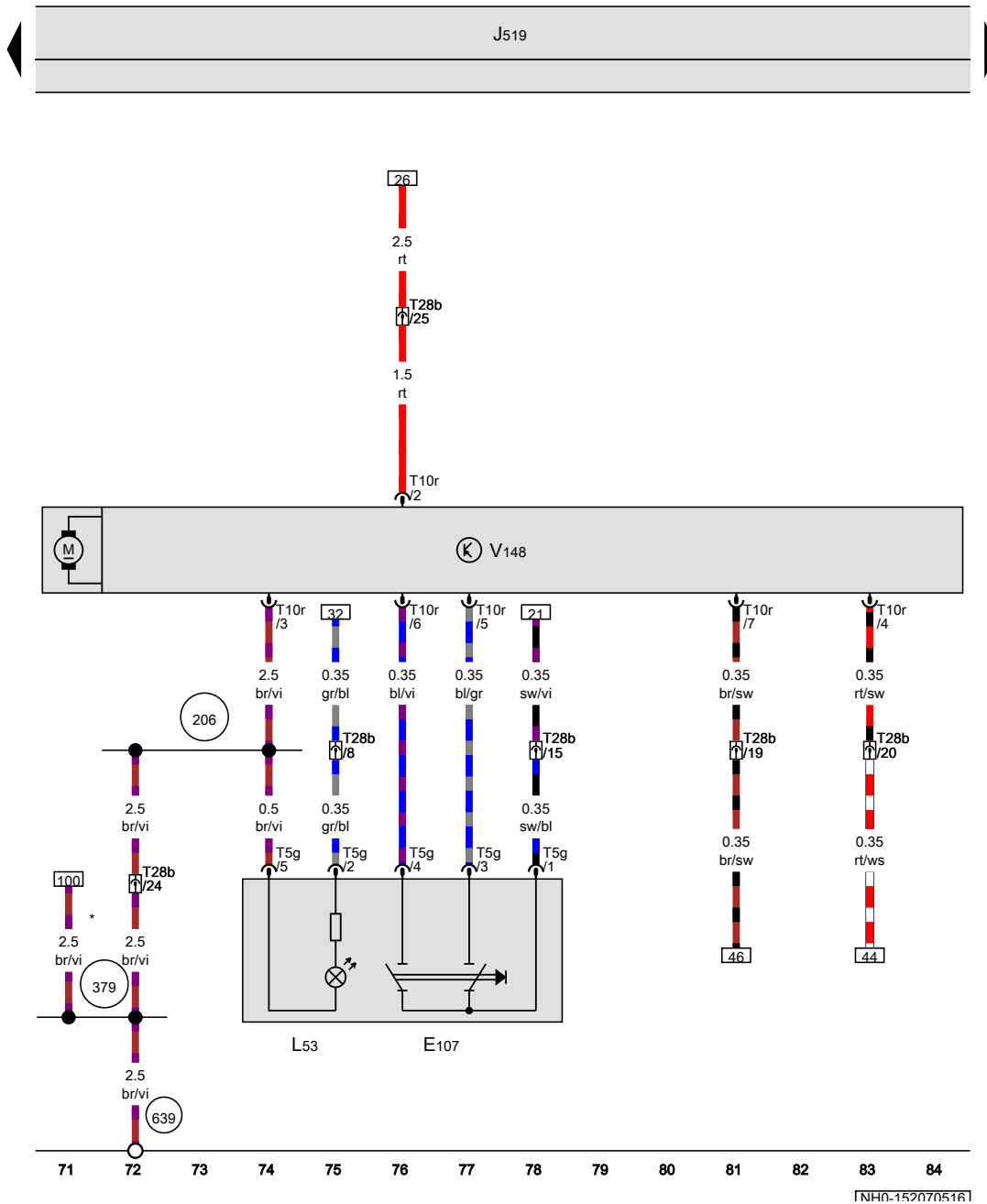
[NH0-152060516]

- ws = white
- sw = black
- ro = red
- rt = red
- br = brown
- gn = green
- bl = blue
- gr = grey
- li = purple
- vi = purple
- ge = yellow
- or = orange
- rs = pink

Window regulator switch in front passenger door, Front passenger side window regulator motor

- E107 Window regulator switch in front passenger door
- J519 Onboard supply control unit
- L53 Window regulator switch illumination bulb
- T5g 5-pin connector
- T10r 10-pin connector
- T28b 28-pin connector, on left A-pillar
- V148 Front passenger side window regulator motor

- 206 Earth connection, in front passenger door wiring harness
- 379 Earth connection 14, in main wiring harness
- 639 Earth point, left A-pillar
- * Only models with front and rear window regulators



- ws = white
- sw = black
- ro = red
- rt = red
- br = brown
- gn = green
- bl = blue
- gr = grey
- li = purple
- vi = purple
- ge = yellow
- or = orange
- rs = pink

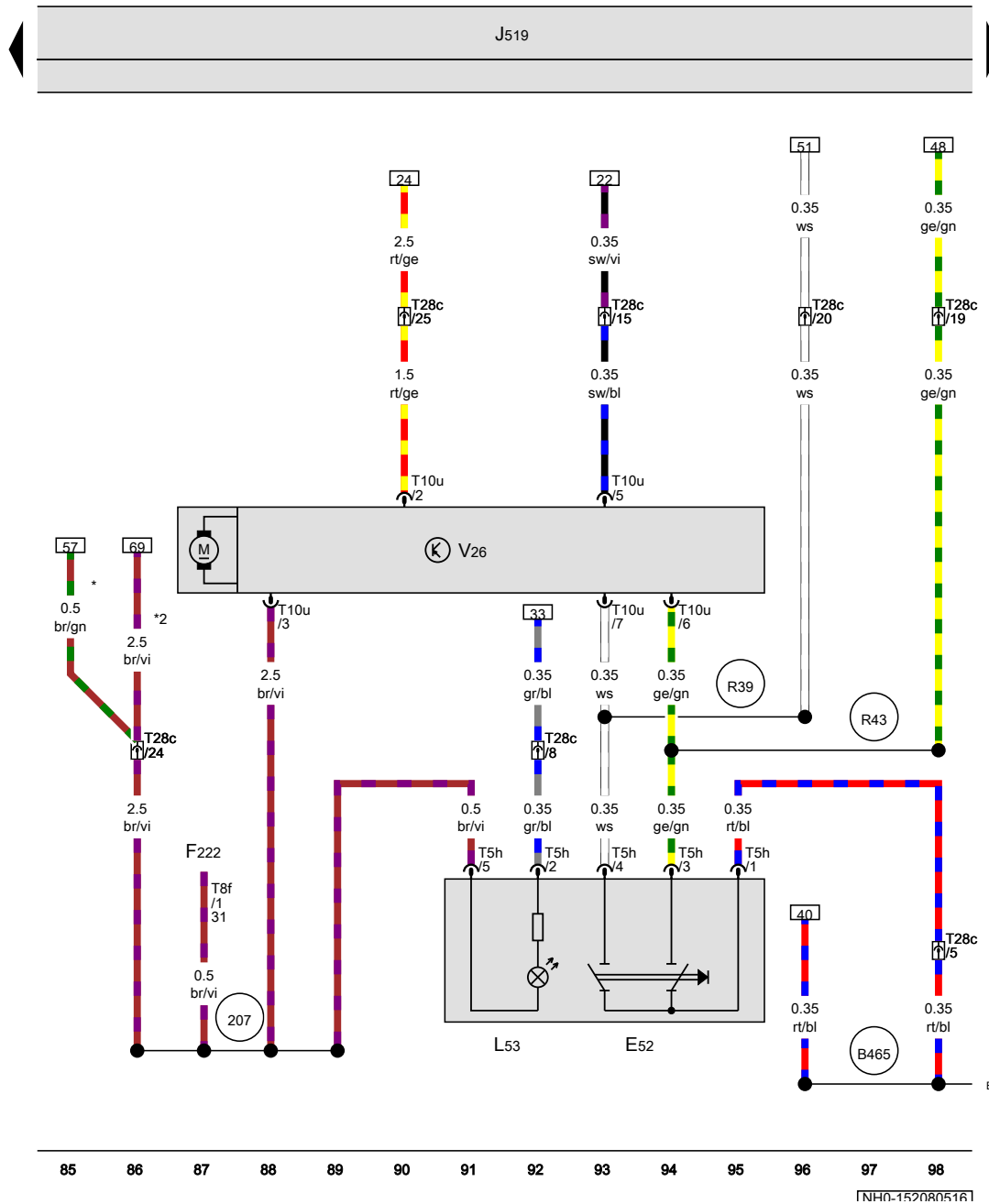
[NH0-152070516]

Rear left window regulator switch, in door, Rear left window regulator motor

- E52 Rear left window regulator switch, in door
- F222 Rear left central locking lock unit
- J519 Onboard supply control unit
- L53 Window regulator switch illumination bulb
- T5h 5-pin connector
- T8f 8-pin connector
- T10u 10-pin connector
- T28c 28-pin connector, on left B-pillar
- V26 Rear left window regulator motor

- (207) Earth connection, in rear left door wiring harness
- (B465) Connection 1, in main wiring harness
- (R39) Connection 1 (window regulator), in rear left door wiring harness
- (R43) Connection 2 (window regulator), in rear left door wiring harness

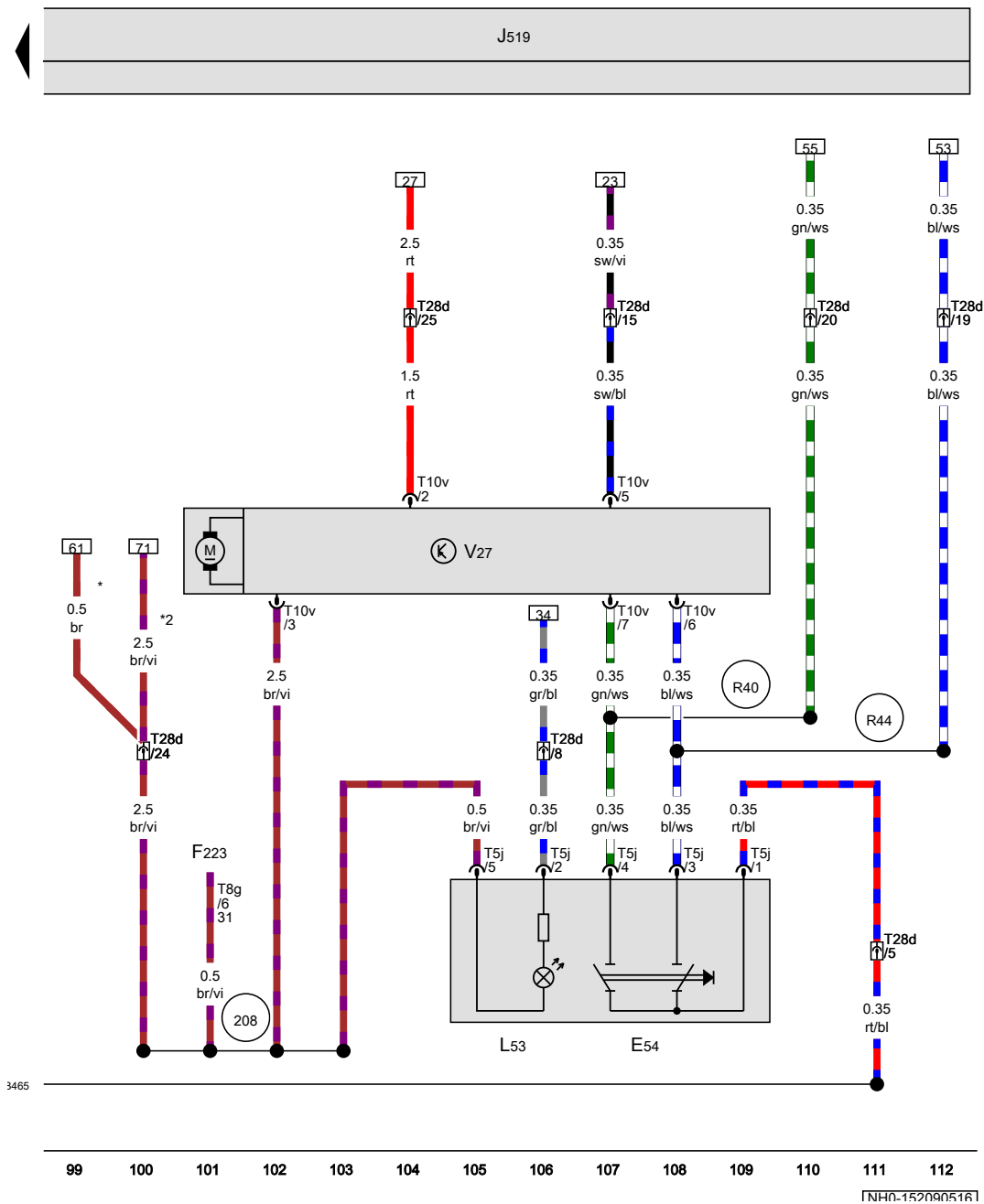
* Only models with front window regulators
 *2 Only models with front and rear window regulators



- ws = white
- sw = black
- ro = red
- rt = red
- br = brown
- gn = green
- bl = blue
- gr = grey
- li = purple
- vi = purple
- ge = yellow
- or = orange
- rs = pink

[NH0-152080516]

Rear right window regulator switch, in door, Rear right window regulator motor



- E54 Rear right window regulator switch, in door
- F223 Rear right central locking lock unit
- J519 Onboard supply control unit
- L53 Window regulator switch illumination bulb
- T5j 5-pin connector
- T8g 8-pin connector
- T10v 10-pin connector
- T28d 28-pin connector, on right B-pillar
- V27 Rear right window regulator motor
- 208 Earth connection, in rear right door wiring harness
- B465 Connection 1, in main wiring harness
- R40 Connection 1 (window regulator), in rear right door wiring harness
- R44 Connection 2 (window regulator), in rear right door wiring harness
- * Only models with front window regulators
- *2 Only models with front and rear window regulators

- ws = white
- sw = black
- ro = red
- rt = red
- br = brown
- gn = green
- bl = blue
- gr = grey
- li = purple
- vi = purple
- ge = yellow
- or = orange
- rs = pink

3465

99 100 101 102 103 104 105 106 107 108 109 110 111 112

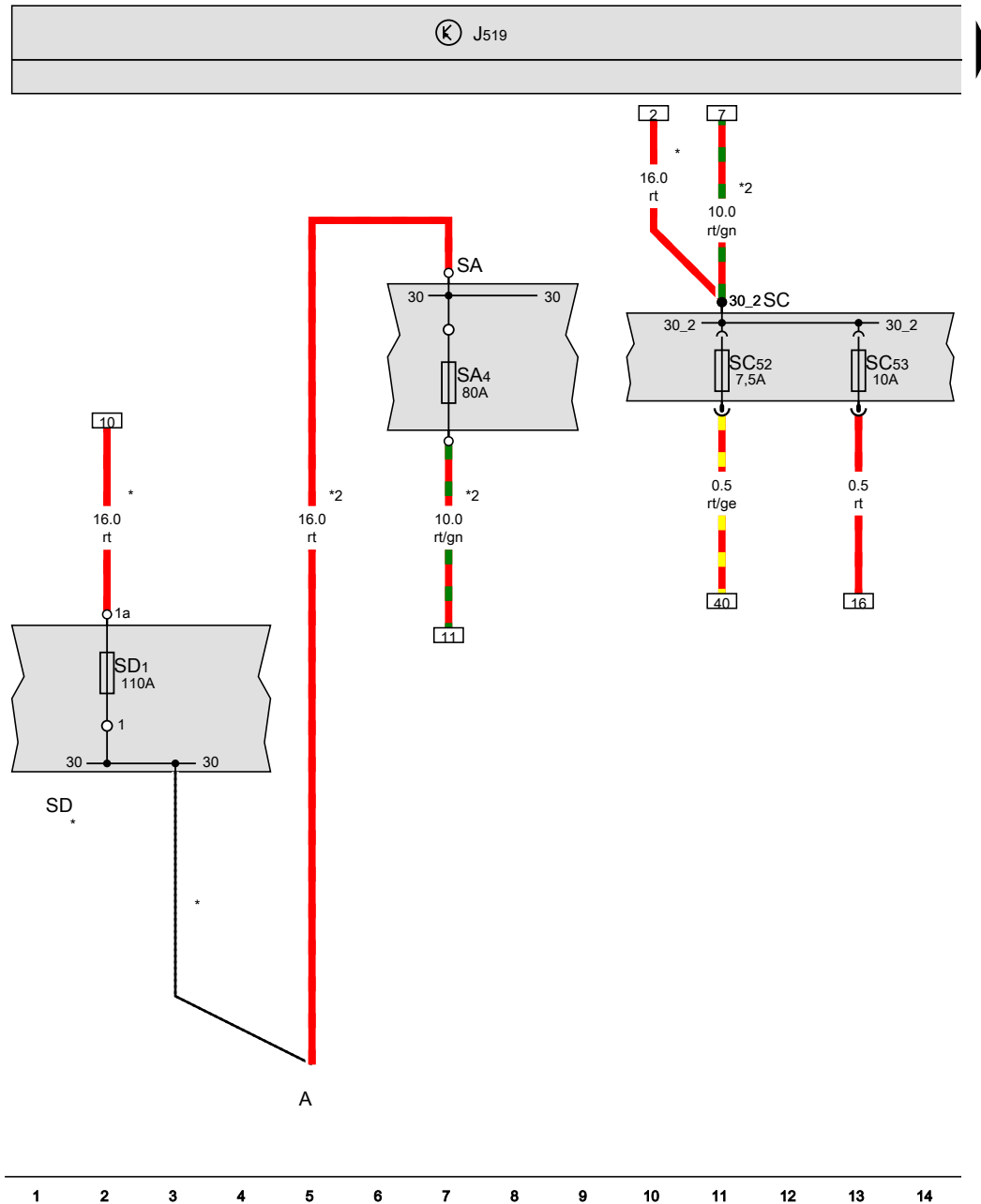
1NH0-152090516

Entry and start authorisation , (L0L)

From May 2016

Battery, Fuse holder A, Fuse holder C, Fuse holder D

- A Battery
- J519 Onboard supply control unit
- SA Fuse holder A
- SD1 Fuse 1 on fuse holder D
- SA4 Fuse 4 in fuse holder A
- SC Fuse holder C
- SC52 Fuse 52 on fuse holder C
- SC53 Fuse 53 on fuse holder C
- SD Fuse holder D
- * Only models with battery in luggage compartment
- *2 Only models with battery in engine compartment



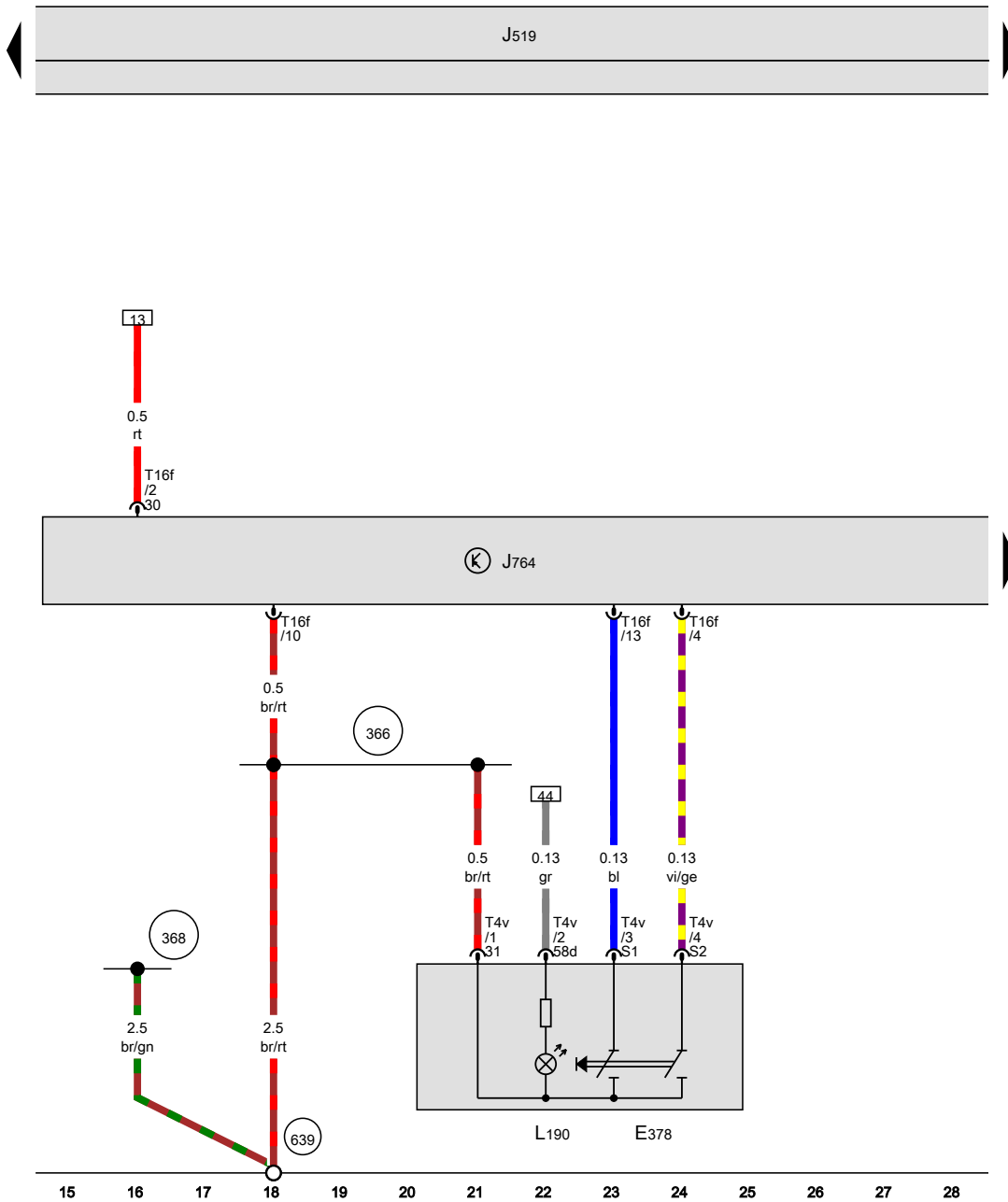
- ws = white
- sw = black
- ro = red
- rt = red
- br = brown
- gn = green
- bl = blue
- gr = grey
- li = purple
- vi = purple
- ge = yellow
- or = orange
- rs = pink

[NH0-153020516]

Starter button, Control unit for electronic steering column lock

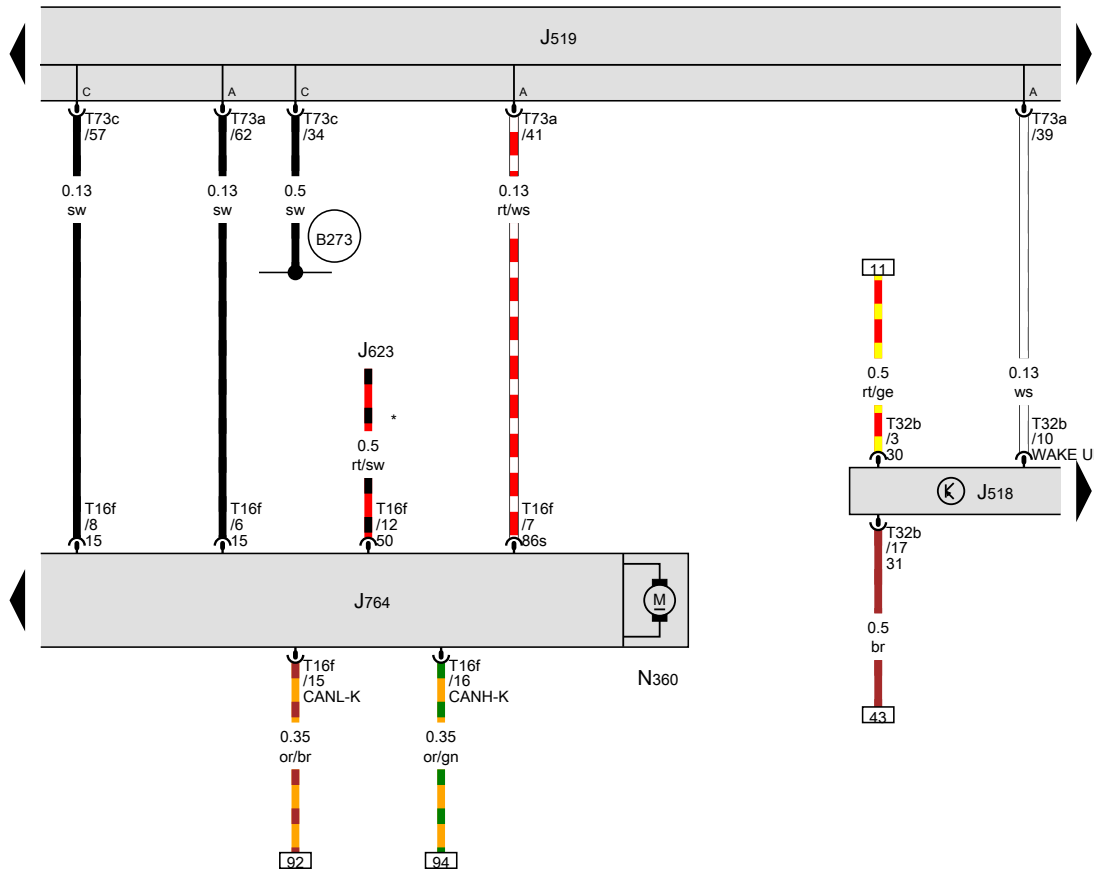
- E378 Starter button
- J519 Onboard supply control unit
- J764 Control unit for electronic steering column lock
- L190 Ignition and starter button illumination bulb
- T4v 4-pin connector
- T16f 16-pin connector

- 366 Earth connection 1, in main wiring harness
- 368 Earth connection 3, in main wiring harness
- 639 Earth point, left A-pillar



- ws = white
- sw = black
- ro = red
- rt = red
- br = brown
- gn = green
- bl = blue
- gr = grey
- li = purple
- vi = purple
- ge = yellow
- or = orange
- rs = pink

[NH0-153030516]



Entry and start authorisation control unit, Control unit for electronic steering column lock, Steering column lock control element

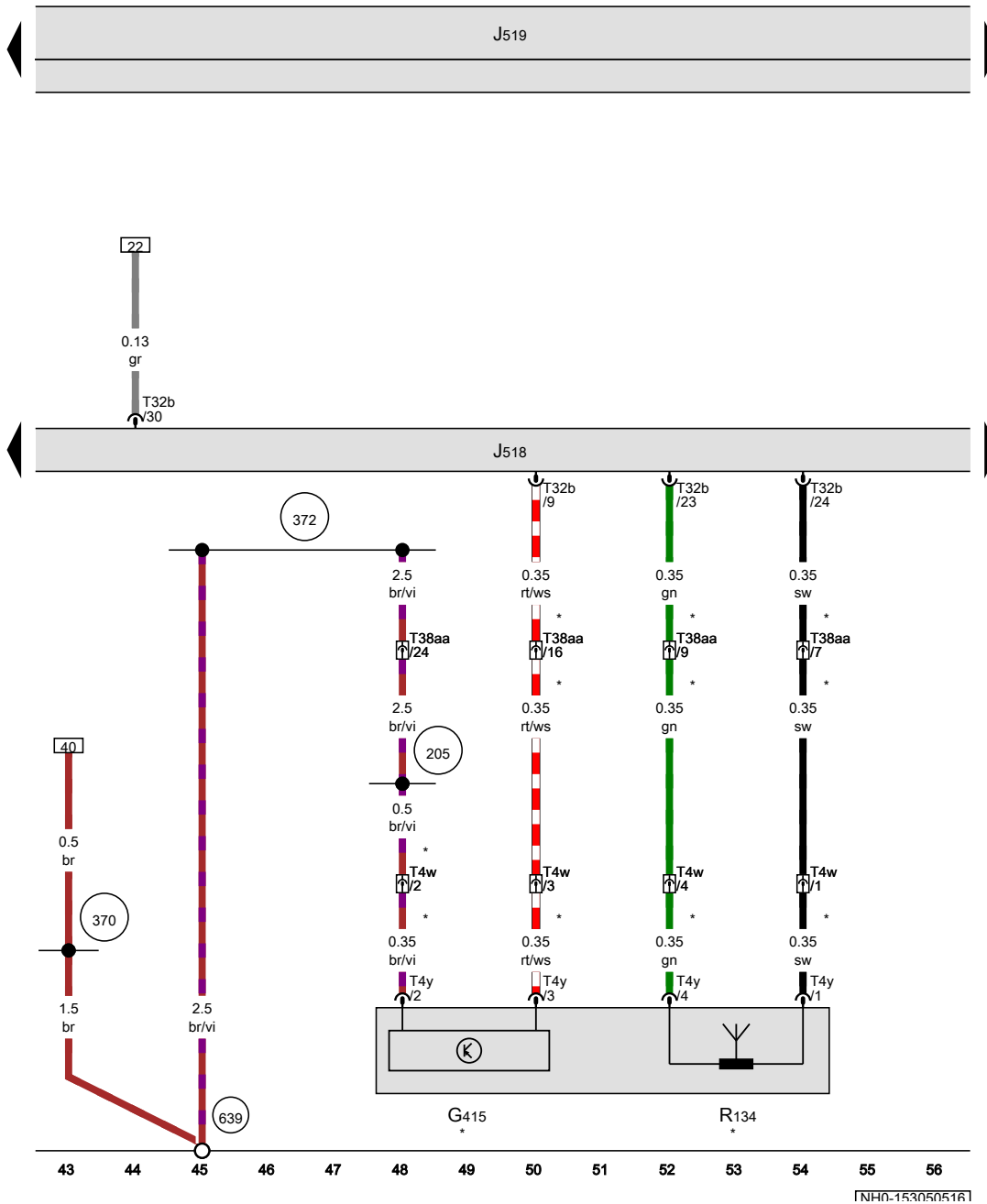
- J518 Entry and start authorisation control unit
- J519 Onboard supply control unit
- J623 Engine control unit
- J764 Control unit for electronic steering column lock
- N360 Steering column lock control element
- T16f 16-pin connector
- T32b 32-pin connector
- T73a 73-pin connector, black
- T73c 73-pin connector, black
- B273** Positive connection (15), in main wiring harness
- * see applicable current flow diagram for engine

- ws = white
- sw = black
- ro = red
- rt = red
- br = brown
- gn = green
- bl = blue
- gr = grey
- li = purple
- vi = purple
- ge = yellow
- or = orange
- rs = pink

Driver door exterior handle contact sensor, Entry and start authorisation control unit, Driver side aerial for entry and start system

- G415 Driver door exterior handle contact sensor
- J518 Entry and start authorisation control unit
- J519 Onboard supply control unit
- R134 Driver side aerial for entry and start system
- T4w 4-pin connector, in driver door
- T4y 4-pin connector
- T32b 32-pin connector
- T38aa 38-pin connector, on left A-pillar

- 205 Earth connection, in driver door wiring harness
- 370 Earth connection 5, in main wiring harness
- 372 Earth connection 7, in main wiring harness
- 639 Earth point, left A-pillar
- * According to equipment



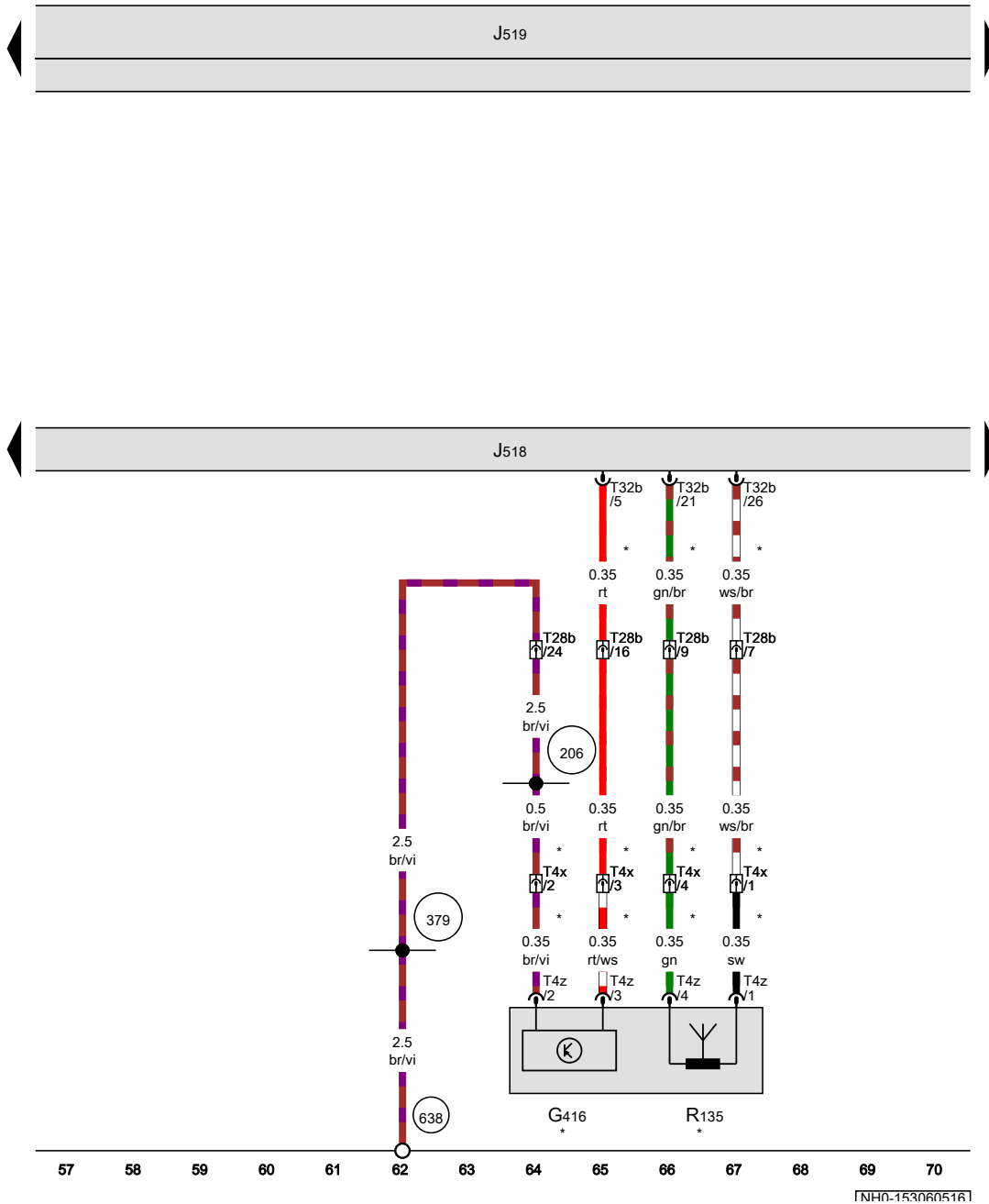
- ws = white
- sw = black
- ro = red
- rt = red
- br = brown
- gn = green
- bl = blue
- gr = grey
- li = purple
- vi = purple
- ge = yellow
- or = orange
- rs = pink

[NH0-153050516]

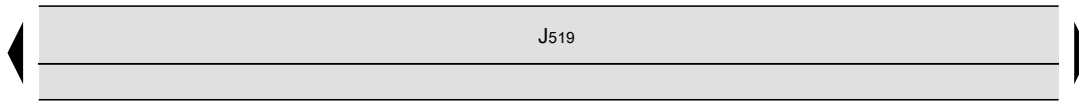
Front passenger door exterior handle contact sensor, Entry and start authorisation control unit, Passenger side aerial for entry and start system

- G416 Front passenger door exterior handle contact sensor
- J518 Entry and start authorisation control unit
- J519 Onboard supply control unit
- R135 Passenger side aerial for entry and start system
- T4x 4-pin connector, in front passenger door
- T4z 4-pin connector
- T28b 28-pin connector, on right A-pillar
- T32b 32-pin connector

- 206 Earth connection, in front passenger door wiring harness
- 379 Earth connection 14, in main wiring harness
- 638 Earth point, on right A-pillar
- * According to equipment

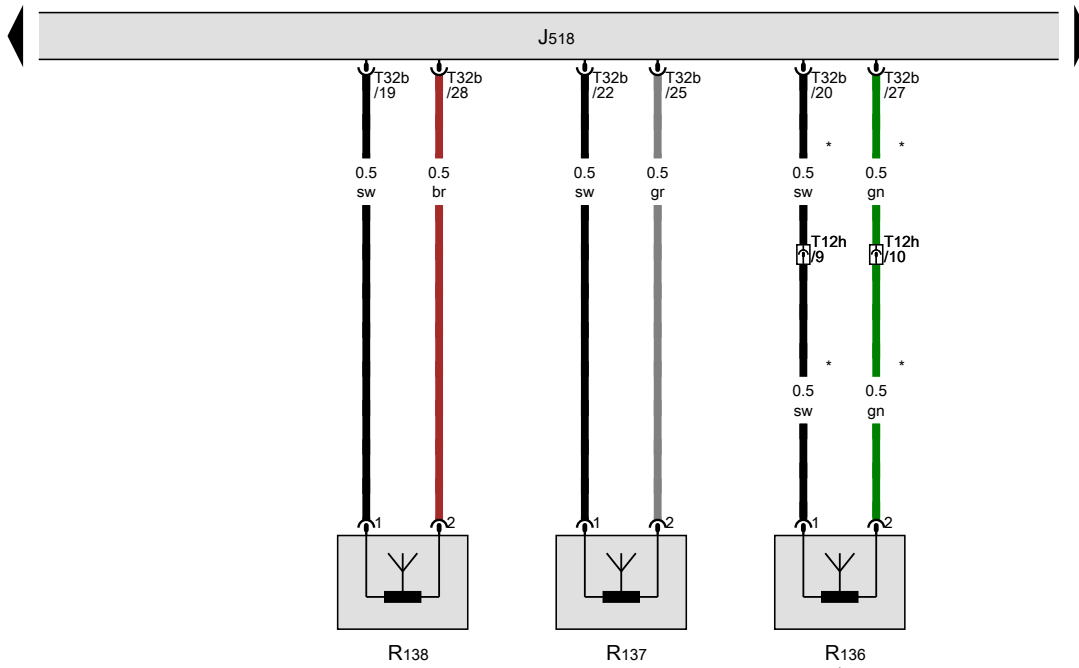


[NH0-153060516]

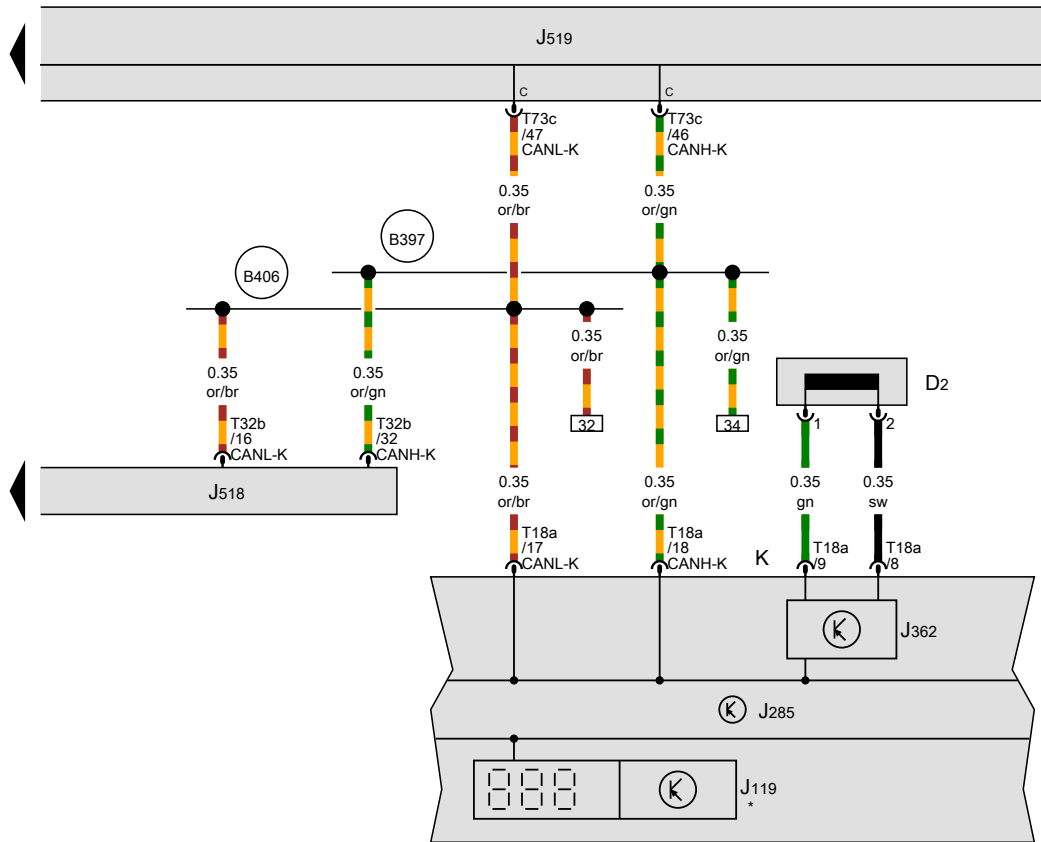


Entry and start authorisation control unit, Rear bumper aerial for entry and start system, Luggage compartment aerial for entry and start system, Interior aerial 1 for entry and start system

- J518 Entry and start authorisation control unit
- J519 Onboard supply control unit
- R136 Rear bumper aerial for entry and start system
- R137 Luggage compartment aerial for entry and start system
- R138 Interior aerial 1 for entry and start system
- T12h 12-pin connector, in luggage compartment, rear left
- T32b 32-pin connector
- * According to equipment



- ws = white
- sw = black
- ro = red
- rt = red
- br = brown
- gn = green
- bl = blue
- gr = grey
- li = purple
- vi = purple
- ge = yellow
- or = orange
- rs = pink



Immobiliser reader coil, Multifunction indicator, Immobiliser control unit, Entry and start authorisation control unit, Dash panel insert

- D2 Immobiliser reader coil
- J119 Multifunction indicator
- J285 Control unit in dash panel insert
- J362 Immobiliser control unit
- J518 Entry and start authorisation control unit
- J519 Onboard supply control unit
- K Dash panel insert
- T18a 18-pin connector
- T32b 32-pin connector
- T73c 73-pin connector, black
- B397 Connection 1 (convenience CAN bus, high), in main wiring harness
- B406 Connection 1 (convenience CAN bus, low), in main wiring harness
- * Only models with multifunction display

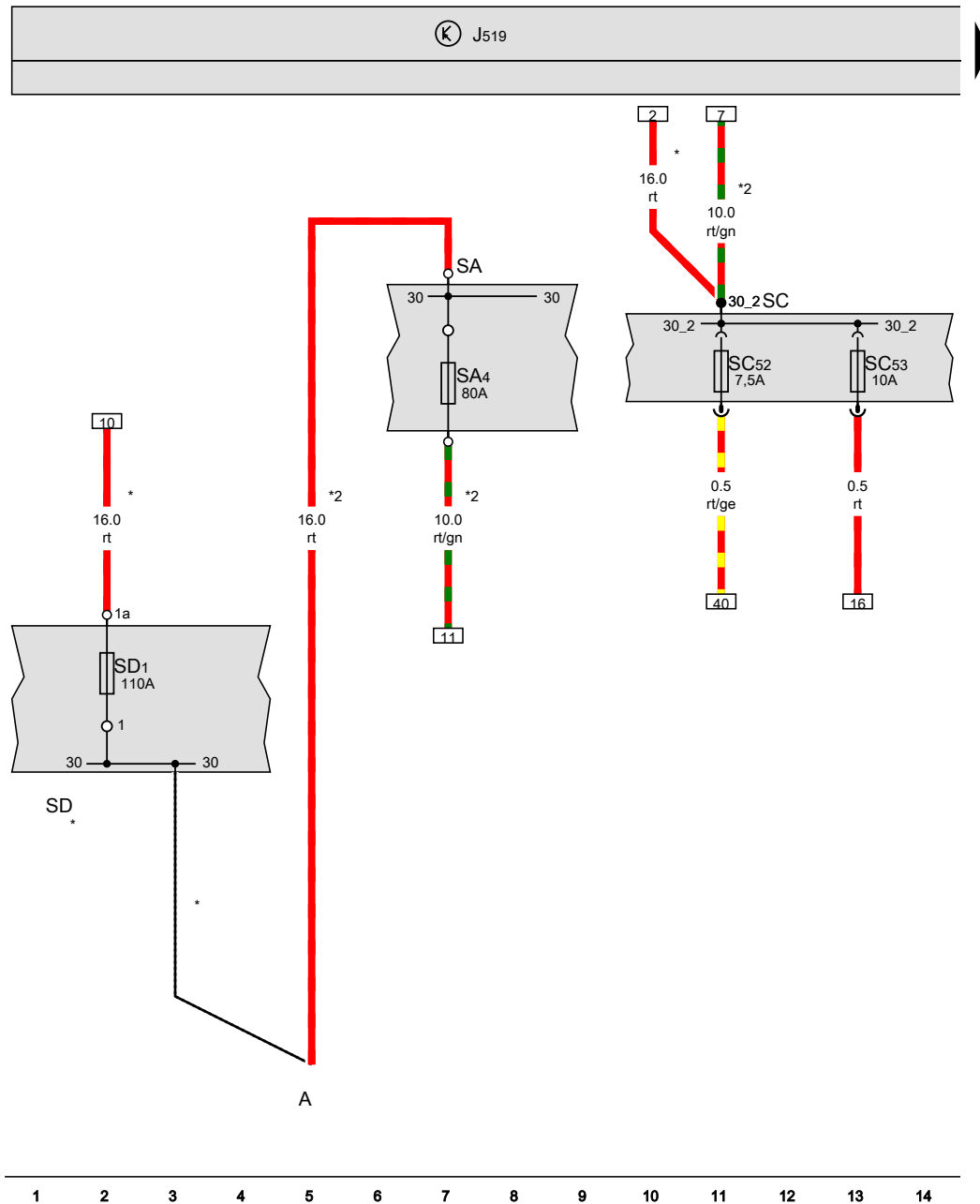
- ws = white
- sw = black
- ro = red
- rt = red
- br = brown
- gn = green
- bl = blue
- gr = grey
- li = purple
- vi = purple
- ge = yellow
- or = orange
- rs = pink

Entry and start authorisation , (L0R)

From May 2016

Battery, Fuse holder A, Fuse holder C, Fuse holder D

- A Battery
- J519 Onboard supply control unit
- SA Fuse holder A
- SD1 Fuse 1 on fuse holder D
- SA4 Fuse 4 in fuse holder A
- SC Fuse holder C
- SC52 Fuse 52 on fuse holder C
- SC53 Fuse 53 on fuse holder C
- SD Fuse holder D
- * Only models with battery in luggage compartment
- *2 Only models with battery in engine compartment



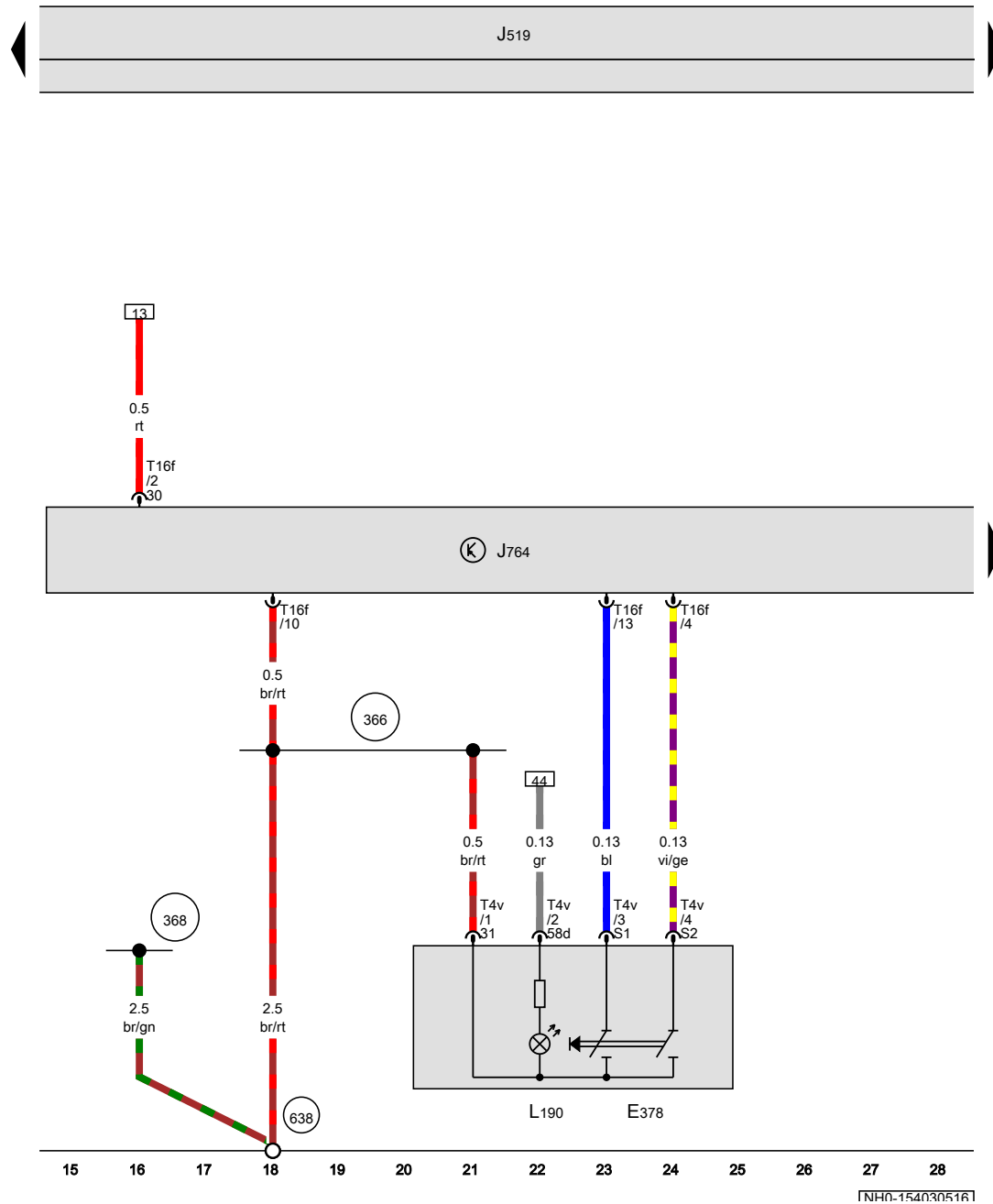
- ws = white
- sw = black
- ro = red
- rt = red
- br = brown
- gn = green
- bl = blue
- gr = grey
- li = purple
- vi = purple
- ge = yellow
- or = orange
- rs = pink

[NH0-154020516]

Starter button, Control unit for electronic steering column lock

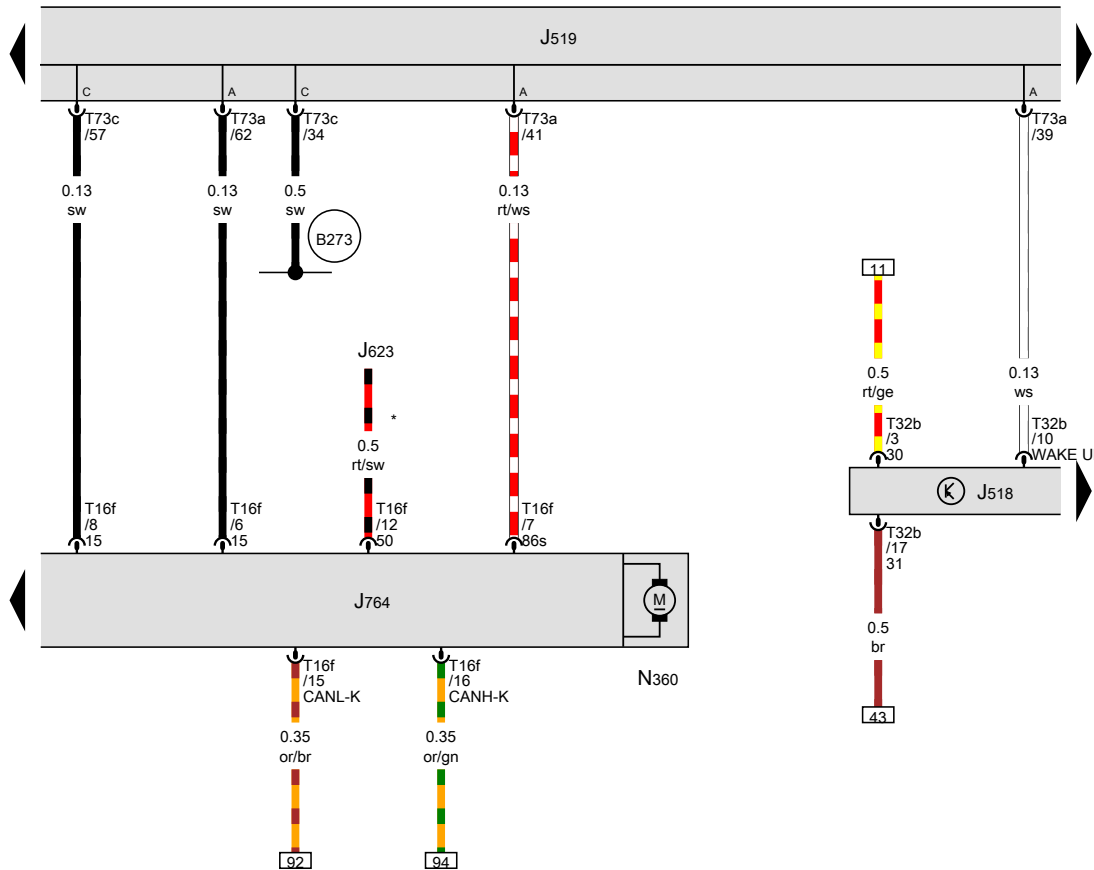
- E378 Starter button
- J519 Onboard supply control unit
- J764 Control unit for electronic steering column lock
- L190 Ignition and starter button illumination bulb
- T4v 4-pin connector
- T16f 16-pin connector

- 366 Earth connection 1, in main wiring harness
- 368 Earth connection 3, in main wiring harness
- 638 Earth point, on right A-pillar



- ws = white
- sw = black
- ro = red
- rt = red
- br = brown
- gn = green
- bl = blue
- gr = grey
- li = purple
- vi = purple
- ge = yellow
- or = orange
- rs = pink

[NH0-154030516]



Entry and start authorisation control unit, Control unit for electronic steering column lock, Steering column lock control element

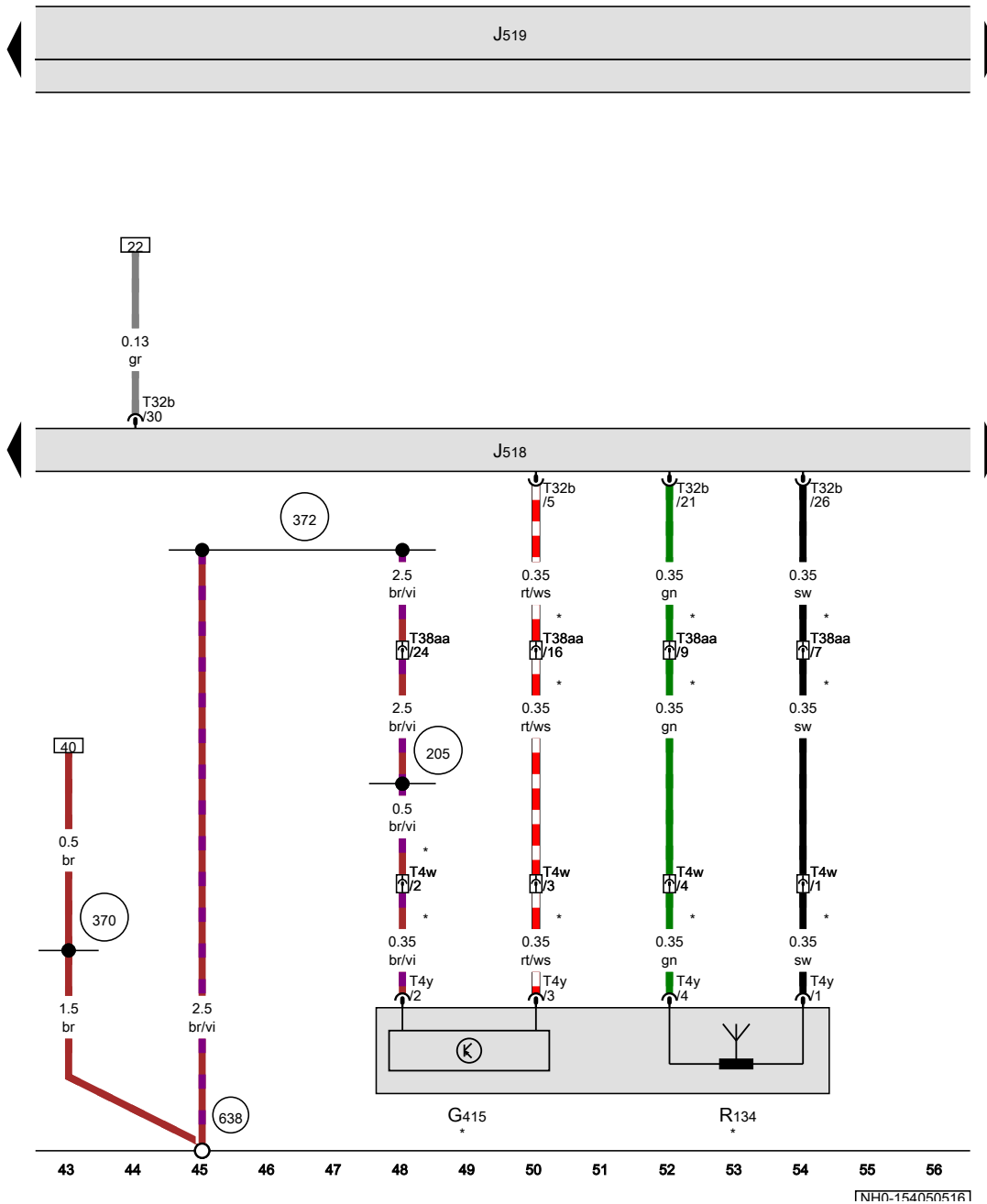
- J518 Entry and start authorisation control unit
- J519 Onboard supply control unit
- J623 Engine control unit
- J764 Control unit for electronic steering column lock
- N360 Steering column lock control element
- T16f 16-pin connector
- T32b 32-pin connector
- T73a 73-pin connector, black
- T73c 73-pin connector, black
- B273** Positive connection (15), in main wiring harness
- * see applicable current flow diagram for engine

- ws = white
- sw = black
- ro = red
- rt = red
- br = brown
- gn = green
- bl = blue
- gr = grey
- li = purple
- vi = purple
- ge = yellow
- or = orange
- rs = pink

Driver door exterior handle contact sensor, Entry and start authorisation control unit, Driver side aerial for entry and start system

- G415 Driver door exterior handle contact sensor
- J518 Entry and start authorisation control unit
- J519 Onboard supply control unit
- R134 Driver side aerial for entry and start system
- T4w 4-pin connector, in driver door
- T4y 4-pin connector
- T32b 32-pin connector
- T38aa 38-pin connector, on right A-pillar

- 205 Earth connection, in driver door wiring harness
- 370 Earth connection 5, in main wiring harness
- 372 Earth connection 7, in main wiring harness
- 638 Earth point, on right A-pillar
- * According to equipment



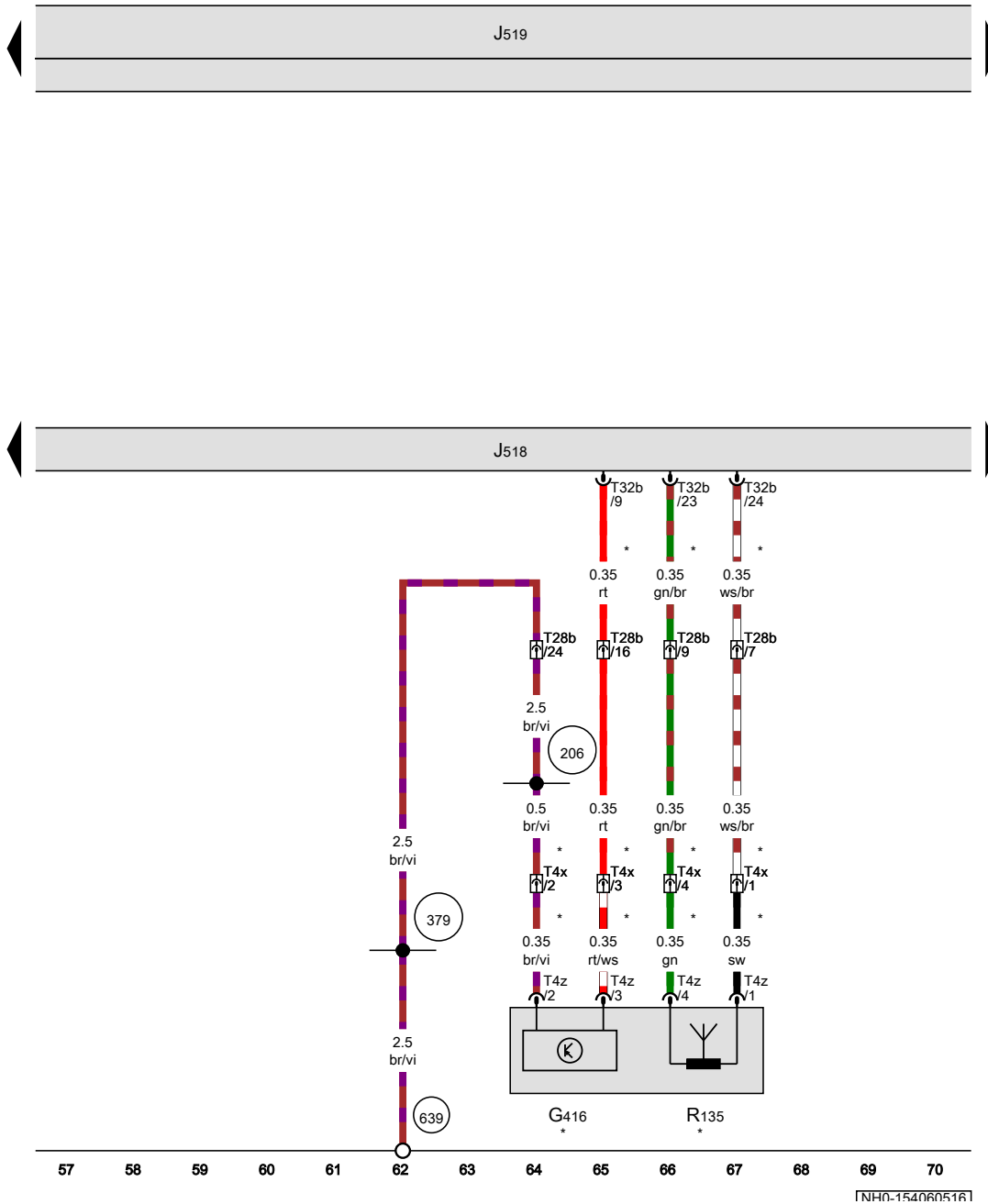
- ws = white
- sw = black
- ro = red
- rt = red
- br = brown
- gn = green
- bl = blue
- gr = grey
- li = purple
- vi = purple
- ge = yellow
- or = orange
- rs = pink

[NH0-154050516]

Front passenger door exterior handle contact sensor, Entry and start authorisation control unit, Passenger side aerial for entry and start system

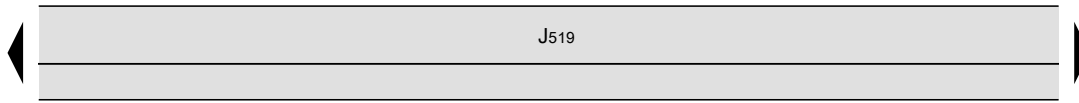
- G416 Front passenger door exterior handle contact sensor
- J518 Entry and start authorisation control unit
- J519 Onboard supply control unit
- R135 Passenger side aerial for entry and start system
- T4x 4-pin connector, in front passenger door
- T4z 4-pin connector
- T28b 28-pin connector, on left A-pillar
- T32b 32-pin connector

- 206 Earth connection, in front passenger door wiring harness
- 379 Earth connection 14, in main wiring harness
- 639 Earth point, left A-pillar
- * According to equipment



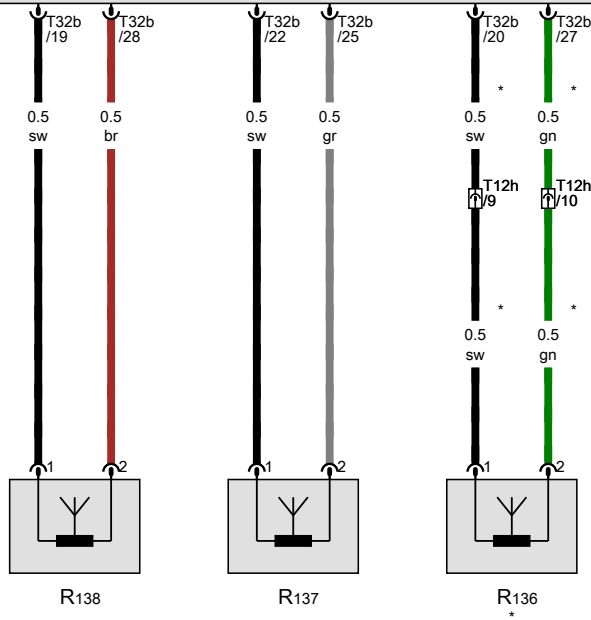
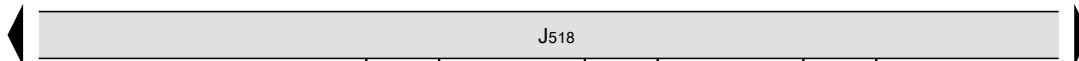
- ws = white
- sw = black
- ro = red
- rt = red
- br = brown
- gn = green
- bl = blue
- gr = grey
- li = purple
- vi = purple
- ge = yellow
- or = orange
- rs = pink

[NH0-154060516]



Entry and start authorisation control unit, Rear bumper aerial for entry and start system, Luggage compartment aerial for entry and start system, Interior aerial 1 for entry and start system

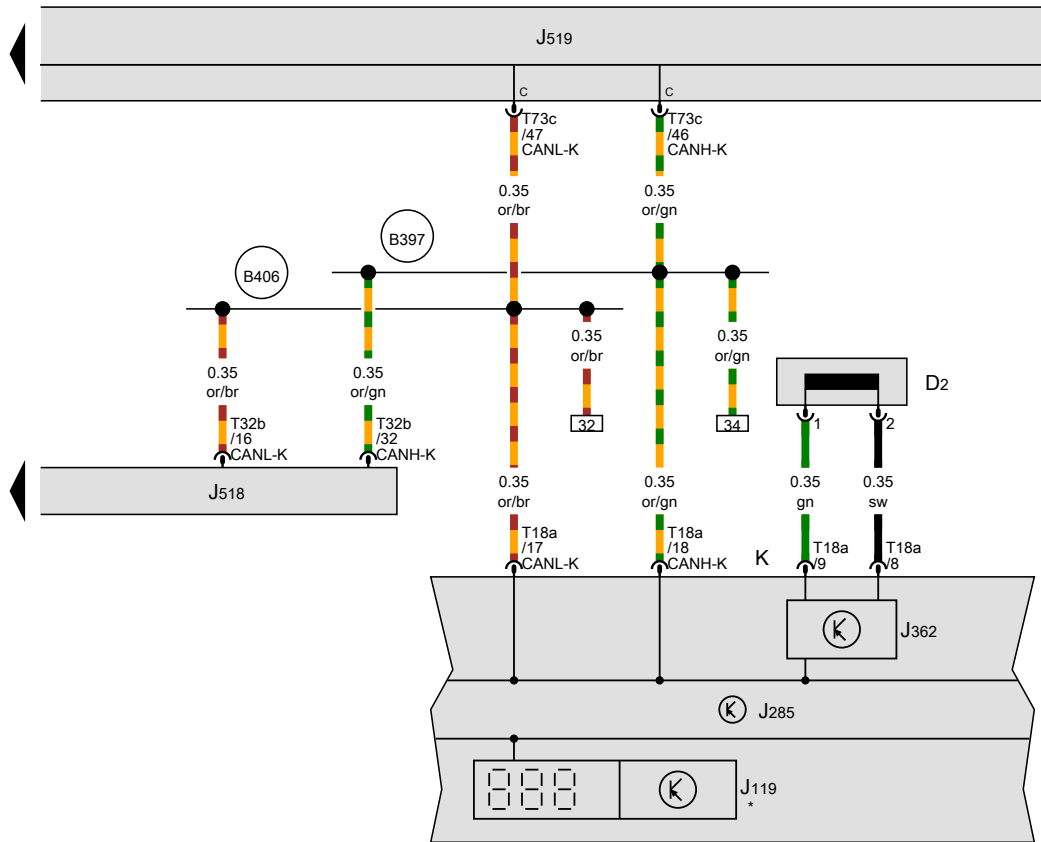
- J518 Entry and start authorisation control unit
- J519 Onboard supply control unit
- R136 Rear bumper aerial for entry and start system
- R137 Luggage compartment aerial for entry and start system
- R138 Interior aerial 1 for entry and start system
- T12h 12-pin connector, in luggage compartment, rear left
- T32b 32-pin connector
- * According to equipment



- ws = white
- sw = black
- ro = red
- rt = red
- br = brown
- gn = green
- bl = blue
- gr = grey
- li = purple
- vi = purple
- ge = yellow
- or = orange
- rs = pink

71 72 73 74 75 76 77 78 79 80 81 82 83 84

[NHN-154070516]



Immobiliser reader coil, Multifunction indicator, Immobiliser control unit, Entry and start authorisation control unit, Dash panel insert

- D2 Immobiliser reader coil
- J119 Multifunction indicator
- J285 Control unit in dash panel insert
- J362 Immobiliser control unit
- J518 Entry and start authorisation control unit
- J519 Onboard supply control unit
- K Dash panel insert
- T18a 18-pin connector
- T32b 32-pin connector
- T73c 73-pin connector, black
- B397 Connection 1 (convenience CAN bus, high), in main wiring harness
- B406 Connection 1 (convenience CAN bus, low), in main wiring harness
- * Only models with multifunction display

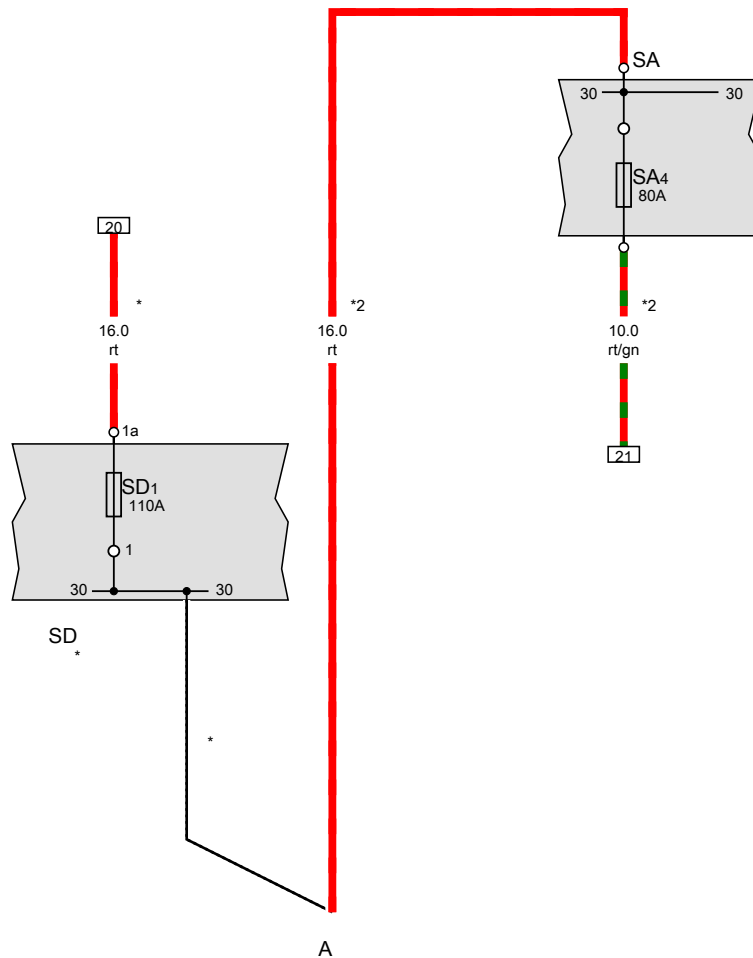
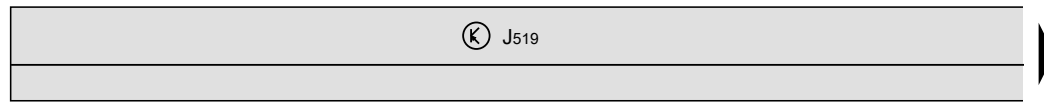
- ws = white
- sw = black
- ro = red
- rt = red
- br = brown
- gn = green
- bl = blue
- gr = grey
- li = purple
- vi = purple
- ge = yellow
- or = orange
- rs = pink

Electrically adjustable and heated exterior mirror , (L0L)

From May 2016

Battery, Fuse holder A, Fuse holder D

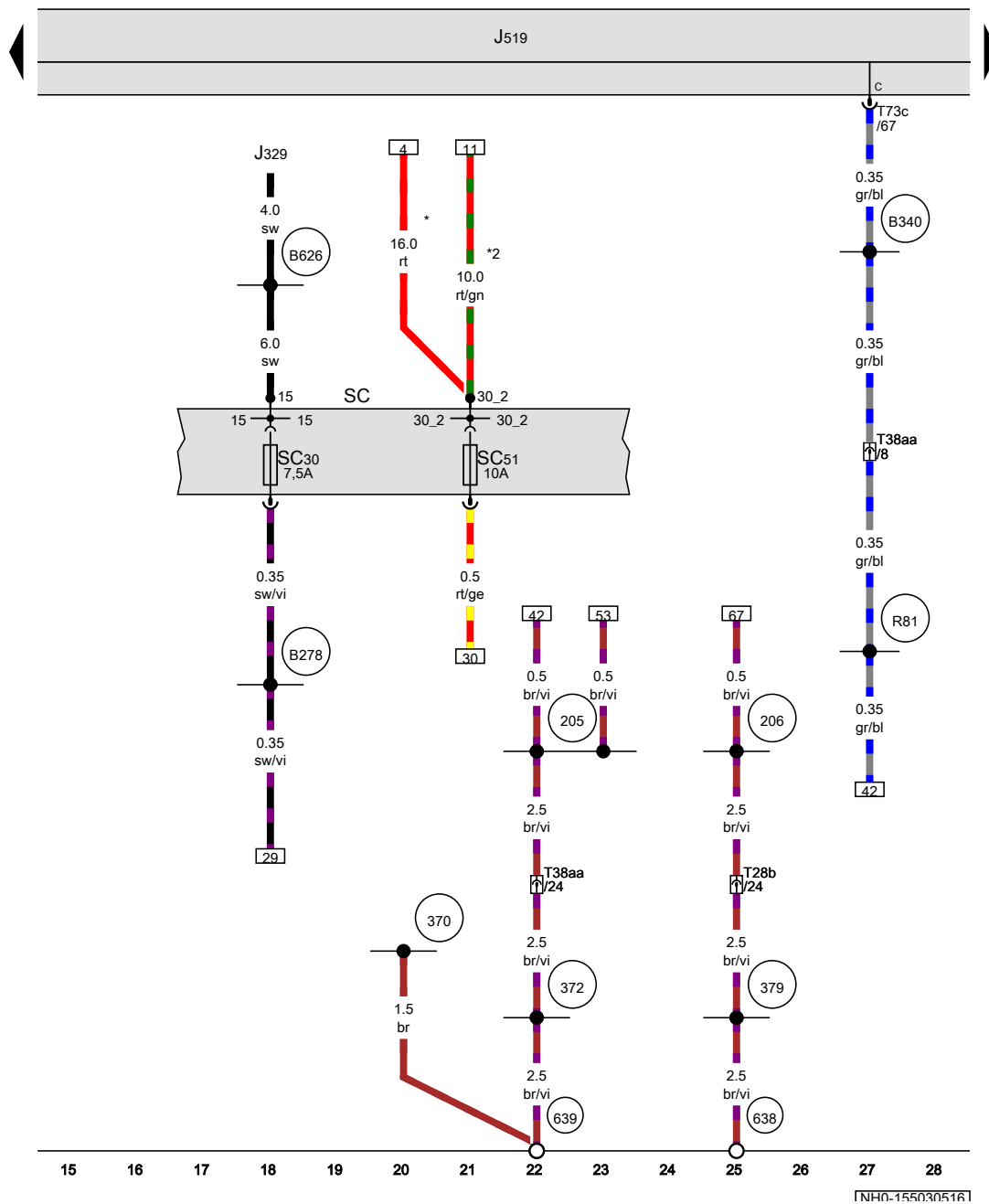
- A Battery
- J519 Onboard supply control unit
- SA Fuse holder A
- SD Fuse holder D
- SD1 Fuse 1 on fuse holder D
- SA4 Fuse 4 in fuse holder A
- * Only models with battery in luggage compartment
- *2 Only models with battery in engine compartment



- ws = white
- sw = black
- ro = red
- rt = red
- br = brown
- gn = green
- bl = blue
- gr = grey
- li = purple
- vi = purple
- ge = yellow
- or = orange
- rs = pink

1 2 3 4 5 6 7 8 9 10 11 12 13 14

[NH0-155020516]



Fuse holder C

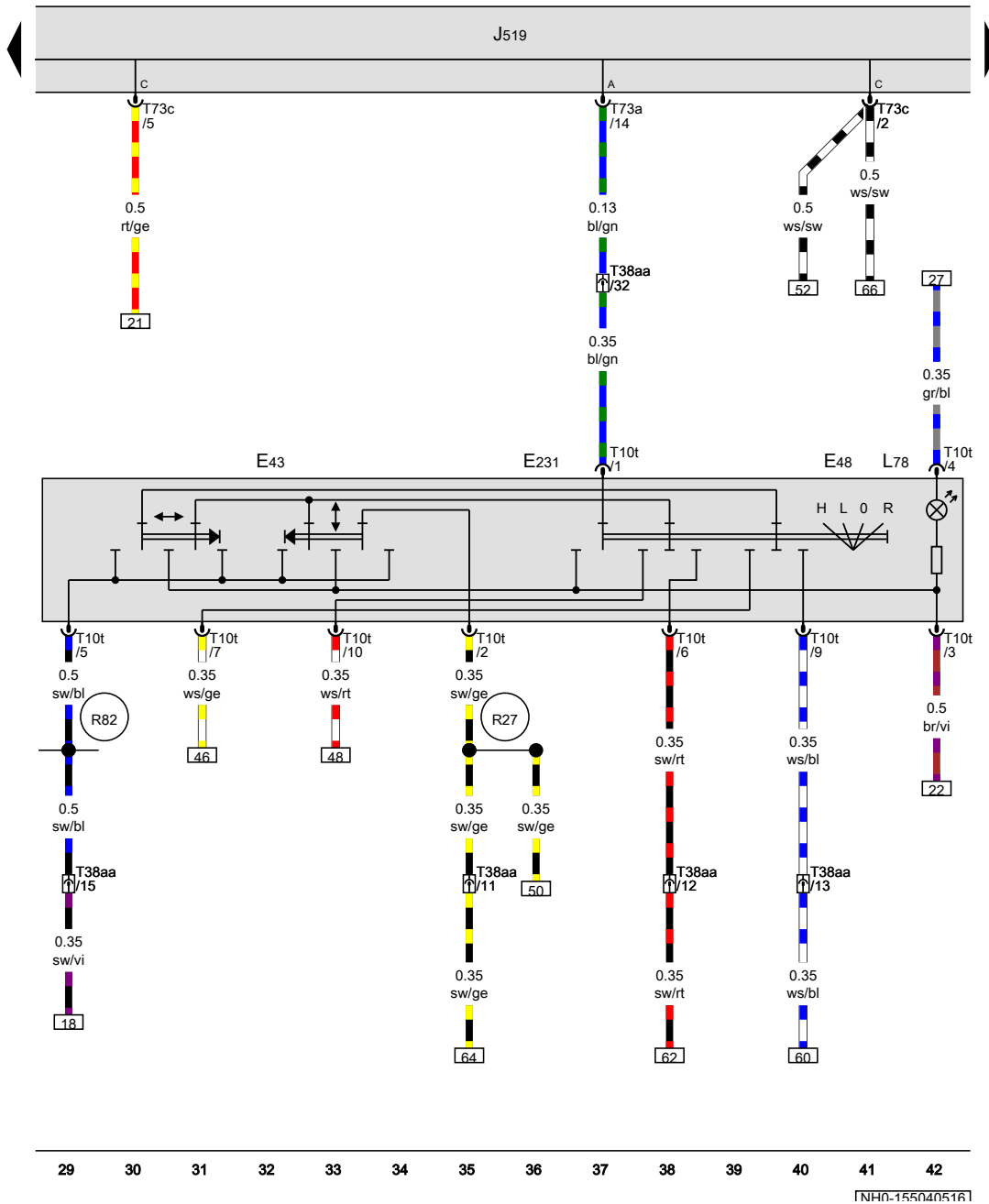
- J329 Terminal 15 voltage supply relay
- J519 Onboard supply control unit
- SC Fuse holder C
- SC30 Fuse 30 on fuse holder C
- SC51 Fuse 51 on fuse holder C
- T28b 28-pin connector, on right A-pillar
- T38aa 38-pin connector, on left A-pillar
- T73c 73-pin connector, black

- 205 Earth connection, in driver door wiring harness
- 206 Earth connection, in front passenger door wiring harness
- 370 Earth connection 5, in main wiring harness
- 372 Earth connection 7, in main wiring harness
- 379 Earth connection 14, in main wiring harness
- 638 Earth point, on right A-pillar
- 639 Earth point, left A-pillar
- B278 Positive connection 2 (15a) in main wiring harness
- B340 Connection 1 (58d), in main wiring harness
- B626 Positive connection 2 (15), in main wiring harness
- R81 Connection 1 (58d), in driver side door wiring harness

- ws = white
- sw = black
- ro = red
- rt = red
- br = brown
- gn = green
- bl = blue
- gr = grey
- li = purple
- vi = purple
- ge = yellow
- or = orange
- rs = pink

- * Only models with battery in luggage compartment
- *2 Only models with battery in engine compartment

[NH0-155030516]



Mirror adjustment switch

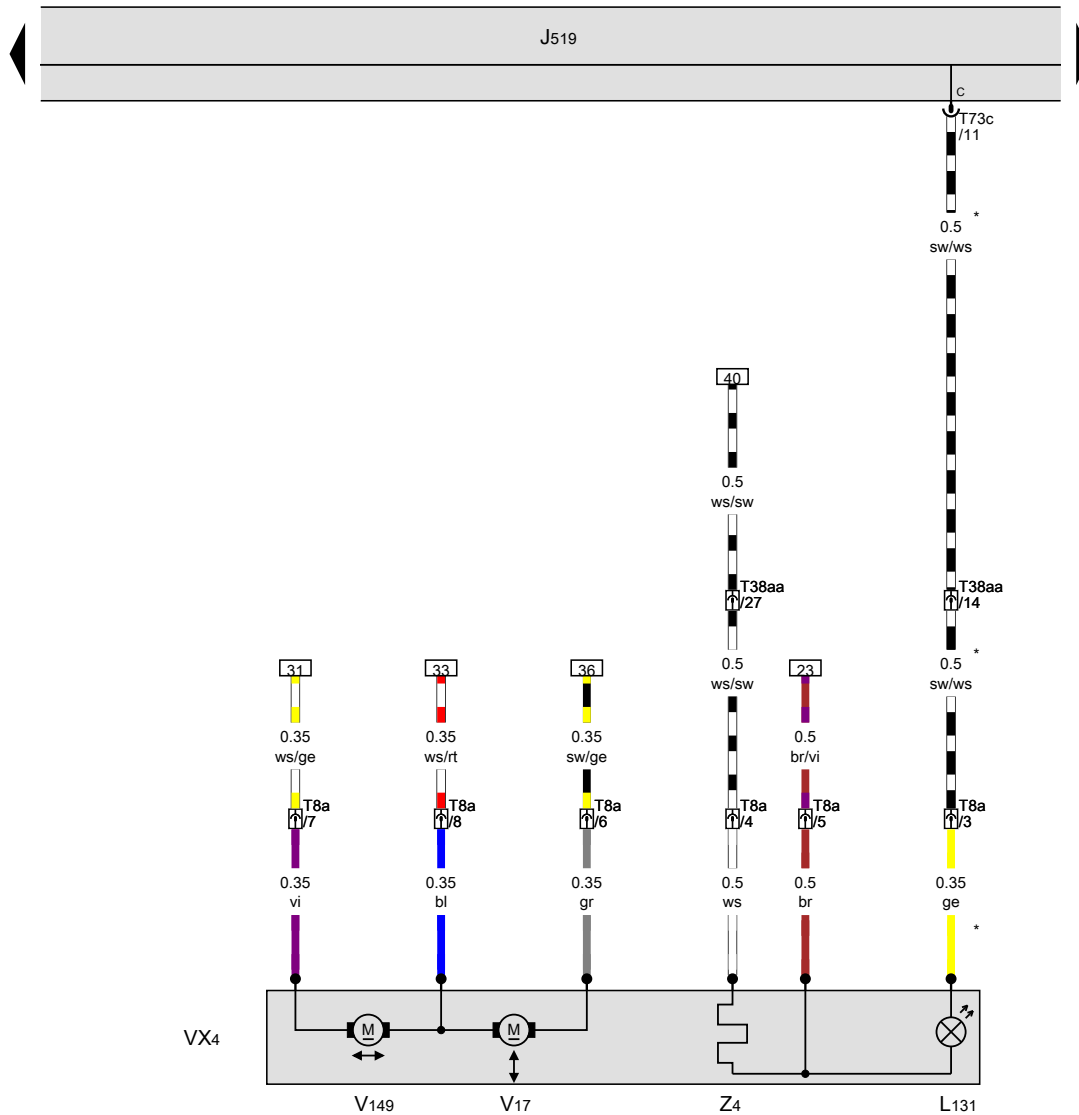
- E43 Mirror adjustment switch
- E48 Mirror adjustment changeover switch
- E231 Exterior mirror heater button
- J519 Onboard supply control unit
- L78 Mirror adjustment switch illumination bulb
- T10t 10-pin connector
- T38aa 38-pin connector, on left A-pillar
- T73a 73-pin connector, black
- T73c 73-pin connector, black

- R27 Connection (mirror adjustment), in driver door wiring harness
- R82 Positive connection 1 (15a), in driver side door wiring harness

- ws = white
- sw = black
- ro = red
- rt = red
- br = brown
- gn = green
- bl = blue
- gr = grey
- li = purple
- vi = purple
- ge = yellow
- or = orange
- rs = pink

Driver side exterior mirror

- J519 Onboard supply control unit
- L131 Driver side turn signal repeater bulb
- T8a 8-pin connector
- T38aa 38-pin connector, on left A-pillar
- T73c 73-pin connector, black
- VX4 Driver side exterior mirror
- V17 Driver side mirror adjustment motor 2
- V149 Driver side mirror adjustment motor
- Z4 Heated exterior mirror on driver side
- * Not for models with equipment for Russia



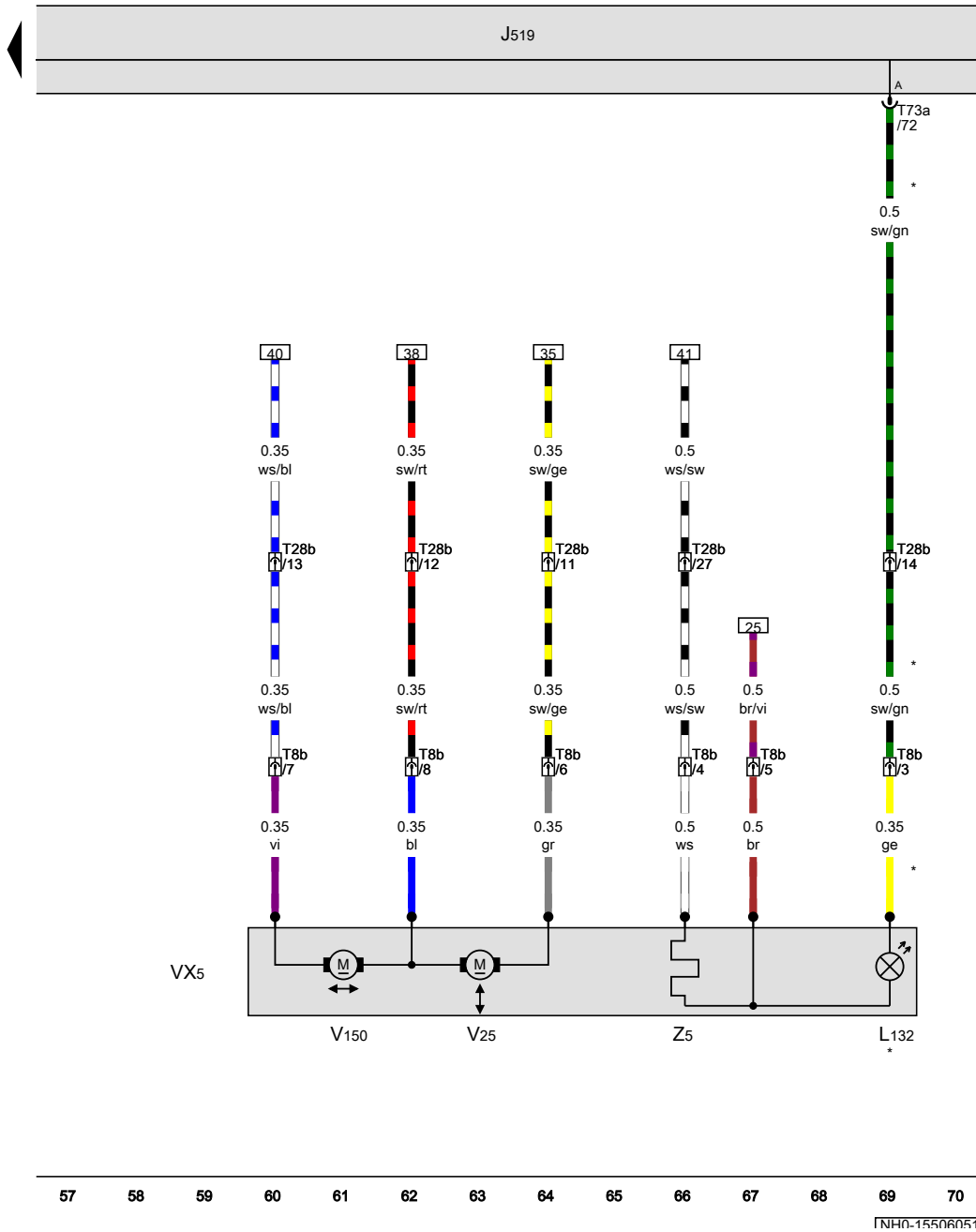
- ws = white
- sw = black
- ro = red
- rt = red
- br = brown
- gn = green
- bl = blue
- gr = grey
- li = purple
- vi = purple
- ge = yellow
- or = orange
- rs = pink

43 44 45 46 47 48 49 50 51 52 53 54 55 56

[NH0-155050516]

Front passenger side exterior mirror

- J519 Onboard supply control unit
- L132 Front passenger side turn signal repeater bulb
- T8b 8-pin connector
- T28b 28-pin connector, on right A-pillar
- T73a 73-pin connector, black
- VX5 Front passenger side exterior mirror
- V25 Front passenger side mirror adjustment motor 2
- V150 Front passenger side mirror adjustment motor
- Z5 Heated exterior mirror on front passenger side
- * Not for models with equipment for Russia



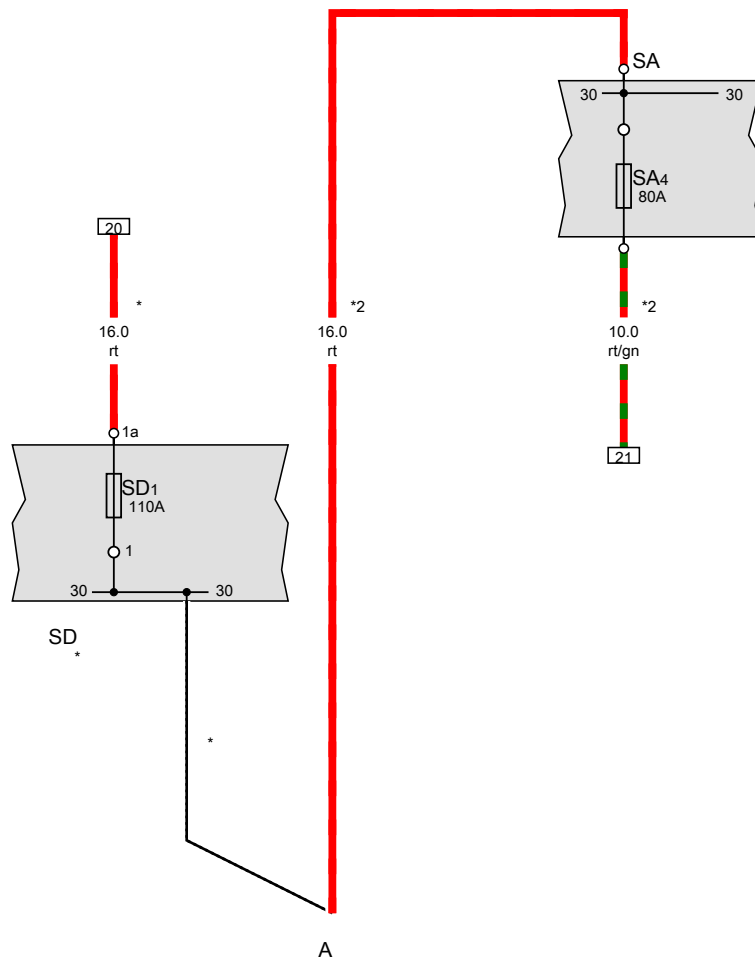
[NH0-155060516]

Electrically adjustable and heated exterior mirror , (LOR)

From May 2016

Battery, Fuse holder A, Fuse holder D

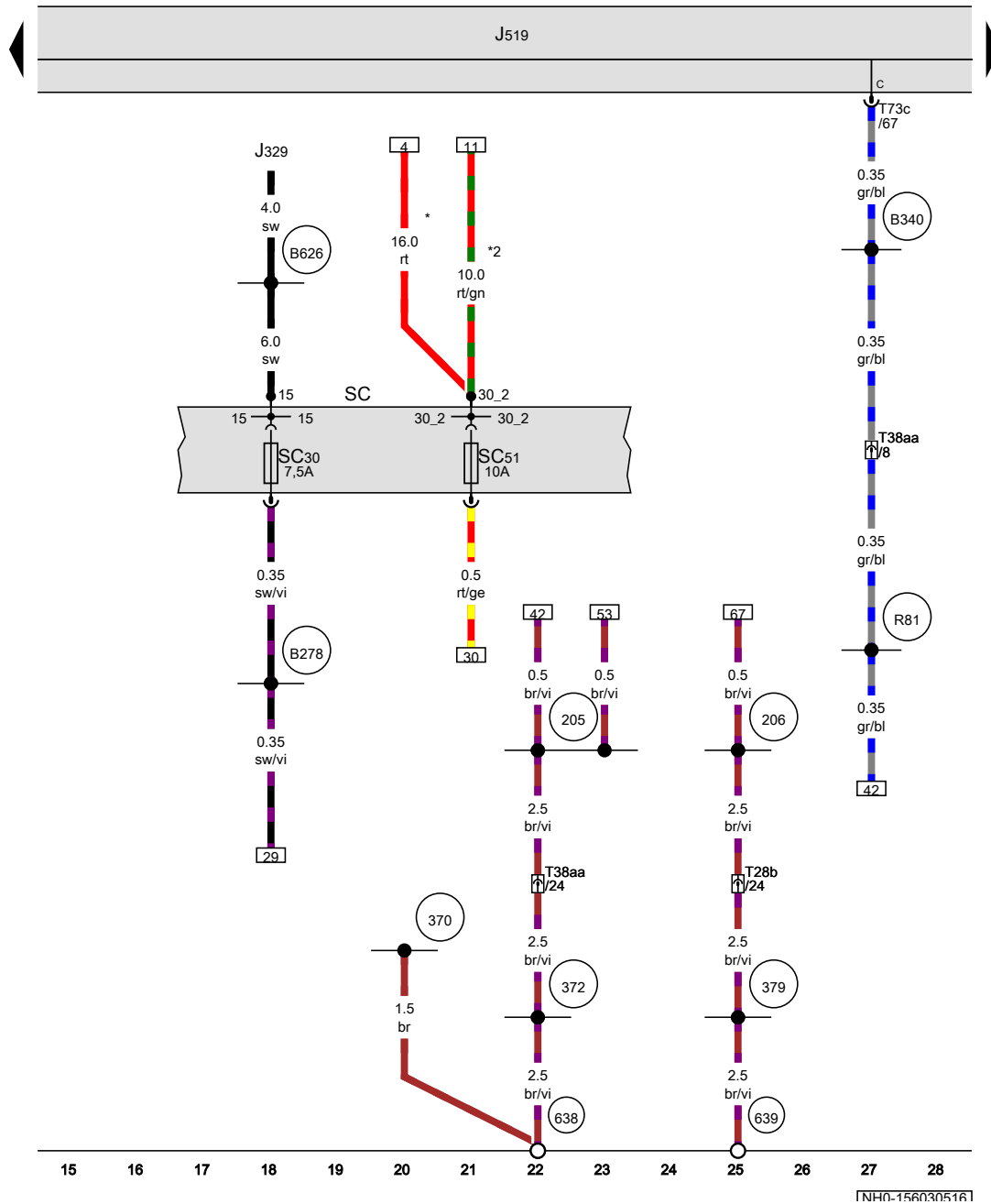
- A Battery
- J519 Onboard supply control unit
- SA Fuse holder A
- SD Fuse holder D
- SD1 Fuse 1 on fuse holder D
- SA4 Fuse 4 in fuse holder A
- * Only models with battery in luggage compartment
- *2 Only models with battery in engine compartment



- ws = white
- sw = black
- ro = red
- rt = red
- br = brown
- gn = green
- bl = blue
- gr = grey
- li = purple
- vi = purple
- ge = yellow
- or = orange
- rs = pink

1 2 3 4 5 6 7 8 9 10 11 12 13 14

[NH0-156020516]



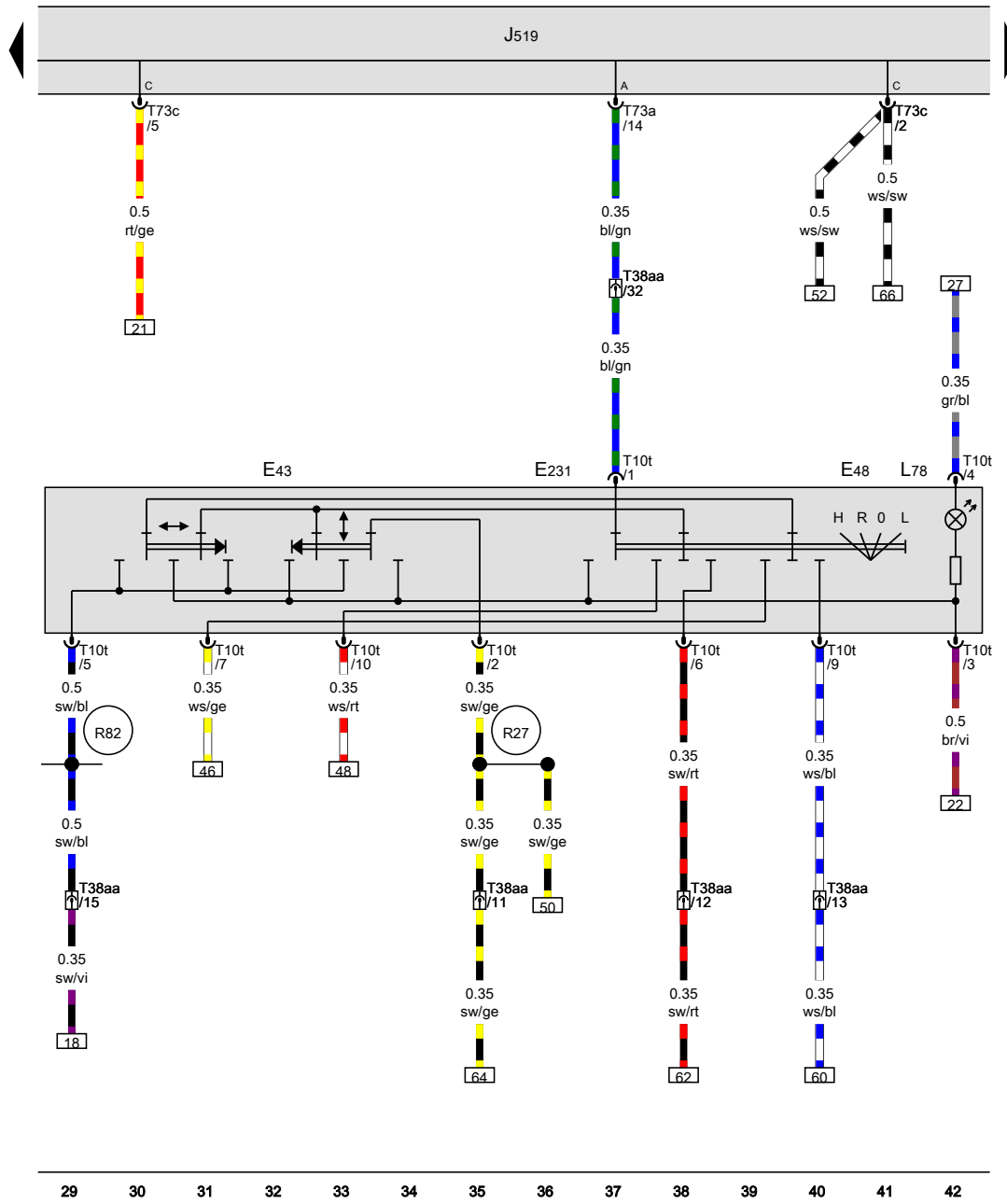
ws = white
 sw = black
 ro = red
 rt = red
 br = brown
 gn = green
 bl = blue
 gr = grey
 li = purple
 vi = purple
 ge = yellow
 or = orange
 rs = pink

Fuse holder C

- J329 Terminal 15 voltage supply relay
- J519 Onboard supply control unit
- SC Fuse holder C
- SC30 Fuse 30 on fuse holder C
- SC51 Fuse 51 on fuse holder C
- T28b 28-pin connector, on left A-pillar
- T38aa 38-pin connector, on right A-pillar
- T73c 73-pin connector, black

- (205) Earth connection, in driver door wiring harness
- (206) Earth connection, in front passenger door wiring harness
- (370) Earth connection 5, in main wiring harness
- (372) Earth connection 7, in main wiring harness
- (379) Earth connection 14, in main wiring harness
- (638) Earth point, on right A-pillar
- (639) Earth point, left A-pillar
- (B278) Positive connection 2 (15a) in main wiring harness
- (B340) Connection 1 (58d), in main wiring harness
- (B626) Positive connection 2 (15), in main wiring harness
- (R81) Connection 1 (58d), in driver side door wiring harness

* Only models with battery in luggage compartment
 *2 Only models with battery in engine compartment



Mirror adjustment switch

- E43 Mirror adjustment switch
- E48 Mirror adjustment changeover switch
- E231 Exterior mirror heater button
- J519 Onboard supply control unit
- L78 Mirror adjustment switch illumination bulb
- T10t 10-pin connector
- T38aa 38-pin connector, on right A-pillar
- T73a 73-pin connector, black
- T73c 73-pin connector, black

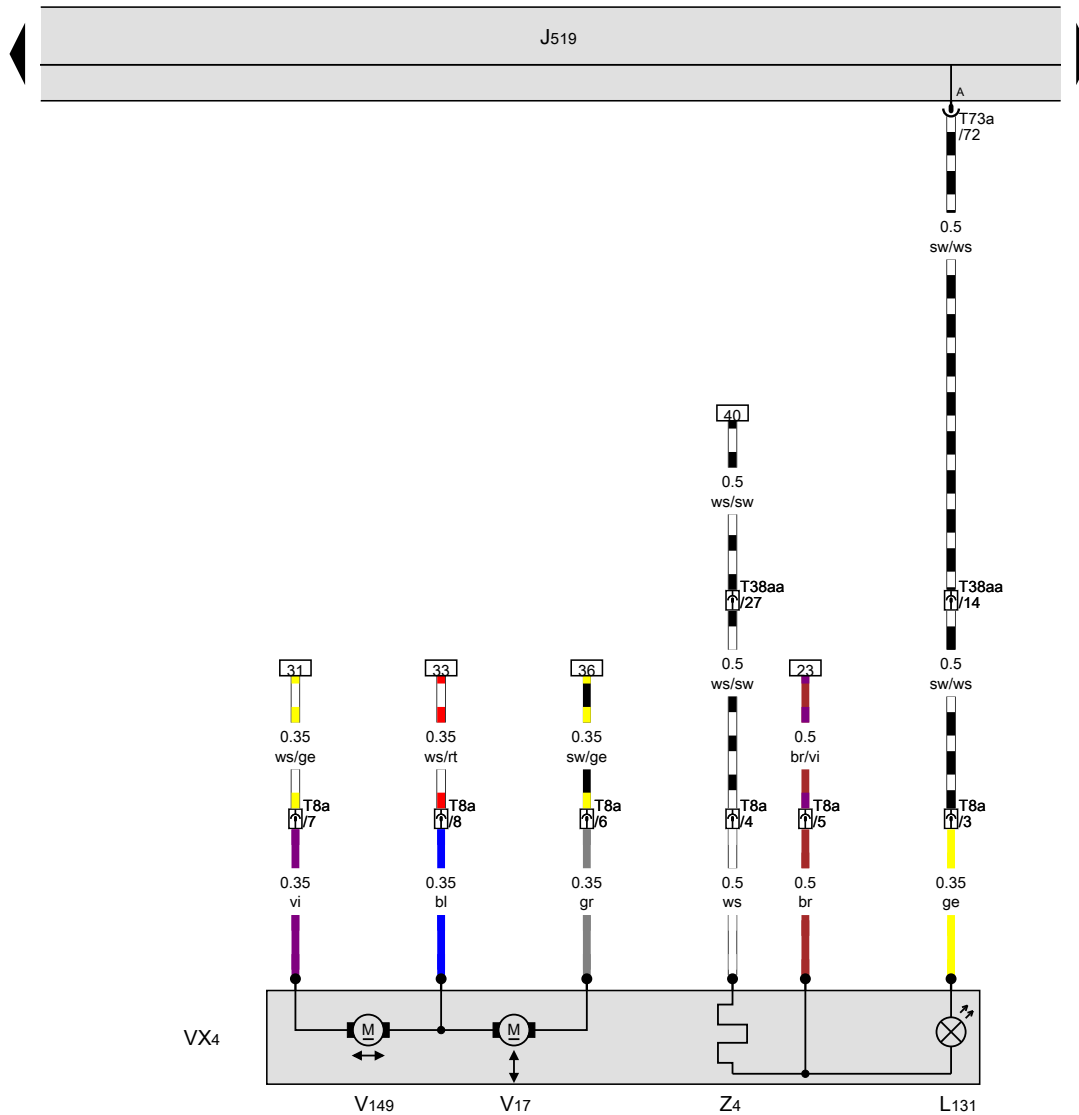
- R27 Connection (mirror adjustment), in driver door wiring harness
- R82 Positive connection 1 (15a), in driver side door wiring harness

- ws = white
- sw = black
- ro = red
- rt = red
- br = brown
- gn = green
- bl = blue
- gr = grey
- li = purple
- vi = purple
- ge = yellow
- or = orange
- rs = pink

[NH0-156040516]

Driver side exterior mirror

- J519 Onboard supply control unit
- L131 Driver side turn signal repeater bulb
- T8a 8-pin connector
- T38aa 38-pin connector, on right A-pillar
- T73a 73-pin connector, black
- VX4 Driver side exterior mirror
- V17 Driver side mirror adjustment motor 2
- V149 Driver side mirror adjustment motor
- Z4 Heated exterior mirror on driver side



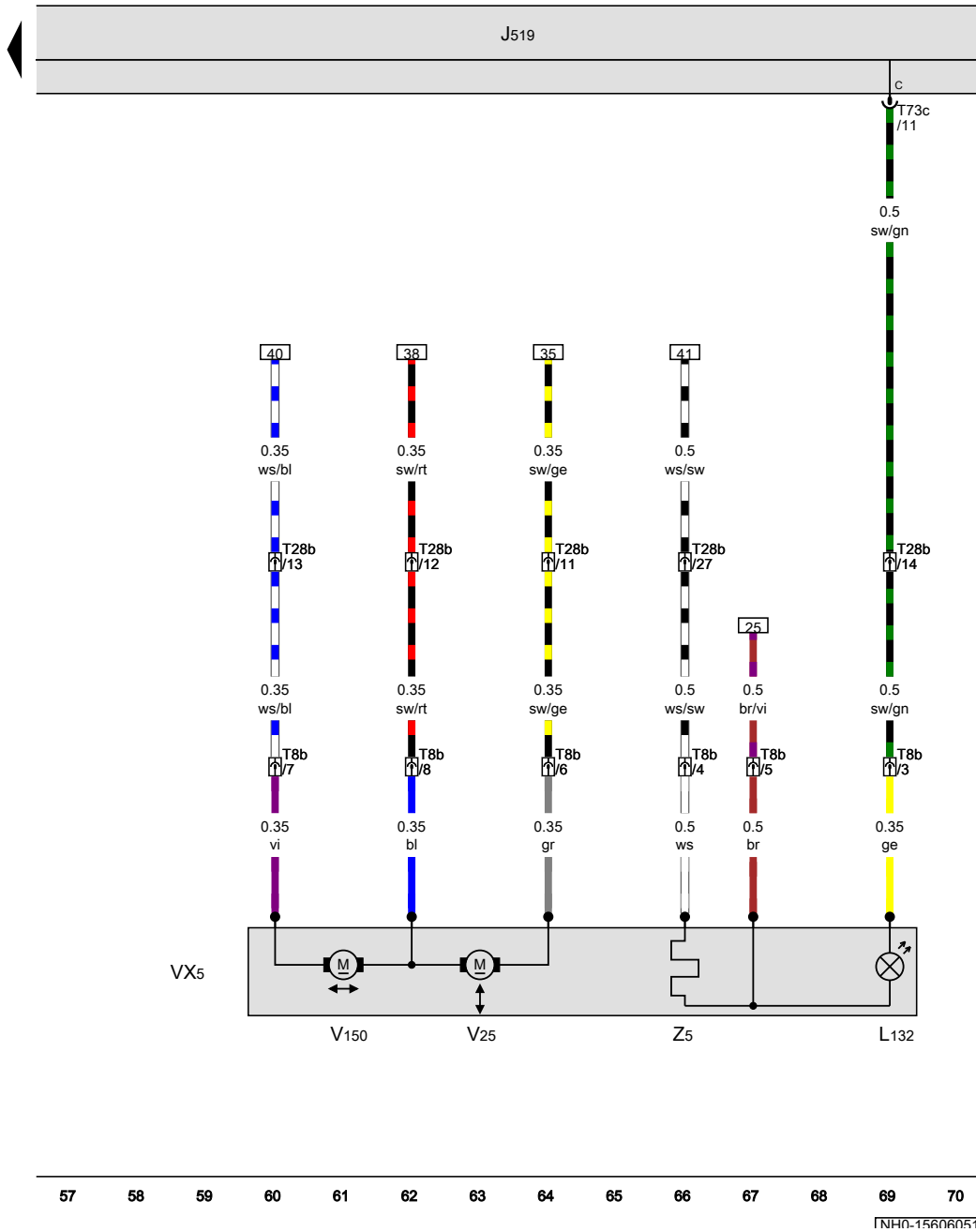
- ws = white
- sw = black
- ro = red
- rt = red
- br = brown
- gn = green
- bl = blue
- gr = grey
- li = purple
- vi = purple
- ge = yellow
- or = orange
- rs = pink

43 44 45 46 47 48 49 50 51 52 53 54 55 56

[NH0-156050516]

Front passenger side exterior mirror

- J519 Onboard supply control unit
- L132 Front passenger side turn signal repeater bulb
- T8b 8-pin connector
- T28b 28-pin connector, on left A-pillar
- T73c 73-pin connector, black
- VX5 Front passenger side exterior mirror
- V25 Front passenger side mirror adjustment motor 2
- V150 Front passenger side mirror adjustment motor
- Z5 Heated exterior mirror on front passenger side

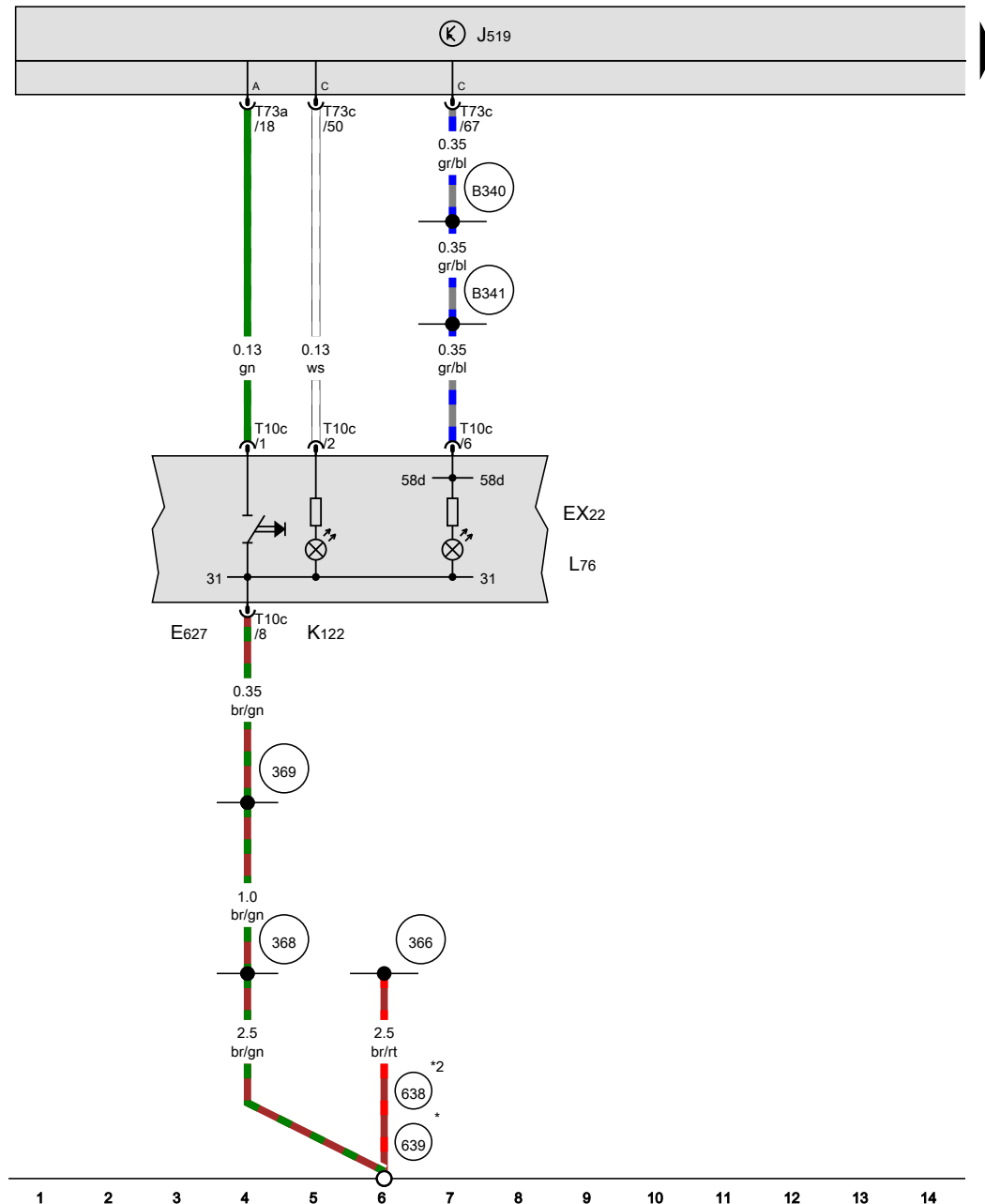


57 58 59 60 61 62 63 64 65 66 67 68 69 70

[NH0-156060516]

Heated windscreen

From May 2016



Centre switch module in dash panel, Heated windscreen button

- EX22 Centre switch module in dash panel
- E627 Heated windscreen button
- J519 Onboard supply control unit
- K122 Heated windscreen warning lamp
- L76 Button illumination bulb
- T10c 10-pin connector, black
- T73a 73-pin connector, black
- T73c 73-pin connector, black

- 366 Earth connection 1, in main wiring harness
- 368 Earth connection 3, in main wiring harness
- 369 Earth connection 4, in main wiring harness
- 638 Earth point, on right A-pillar
- 639 Earth point, left A-pillar
- B340 Connection 1 (58d), in main wiring harness
- B341 Connection 2 (58d), in main wiring harness
- * Only left-hand drive models
- *2 Only right-hand drive models

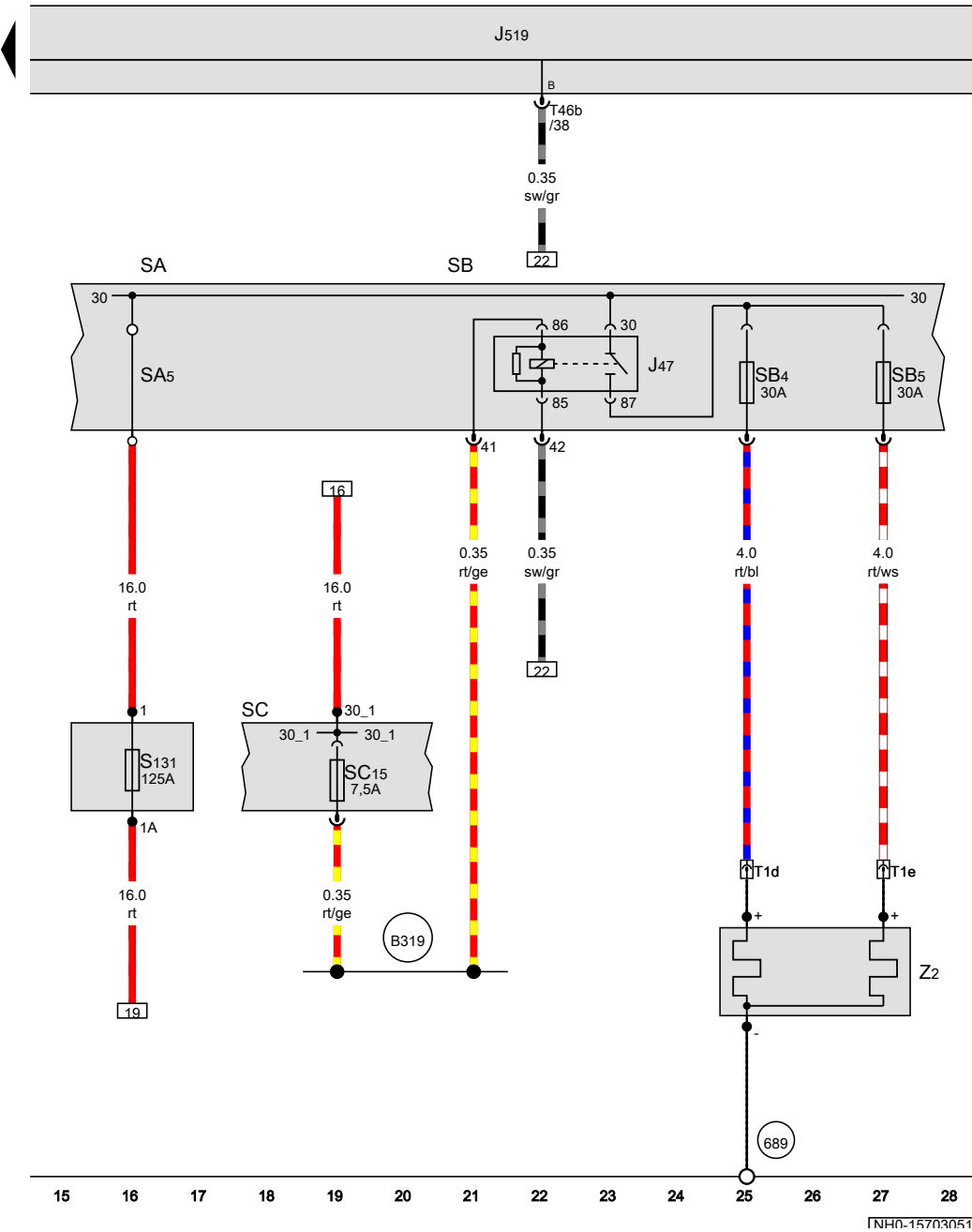
- ws = white
- sw = black
- ro = red
- rt = red
- br = brown
- gn = green
- bl = blue
- gr = grey
- li = purple
- vi = purple
- ge = yellow
- or = orange
- rs = pink

Heated windscreen relay, Fuse holder A, Fuse holder B, Fuse holder C, Heated windscreen

- J47 Heated windscreen relay
- J519 Onboard supply control unit
- SA Fuse holder A
- SB Fuse holder B
- SB4 Fuse 4 on fuse holder B
- SB5 Fuse 5 on fuse holder B
- SA5 Fuse 5 in fuse holder A
- SC Fuse holder C
- SC15 Fuse 15 on fuse holder C
- S131 Fuse 1, in main wiring harness
- T1d Single connector
- T1e Single connector
- T46b 46-pin connector, brown
- Z2 Heated windscreen

(689) Earth point, at front, central in roof

(B319) Positive connection 5 (30a) in main wiring harness



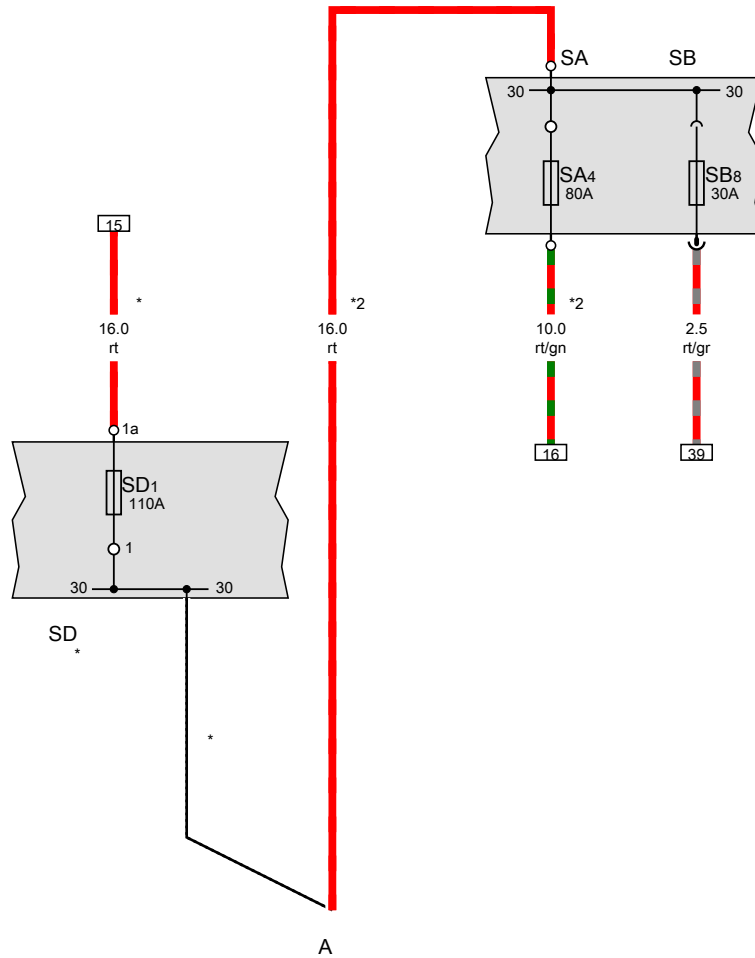
[NH0-157030516]

Window wash/wipe system , (4K3),(4I1),(4I2),(4GF),(4GS)

From May 2016

Battery, Fuse holder B, Fuse holder D

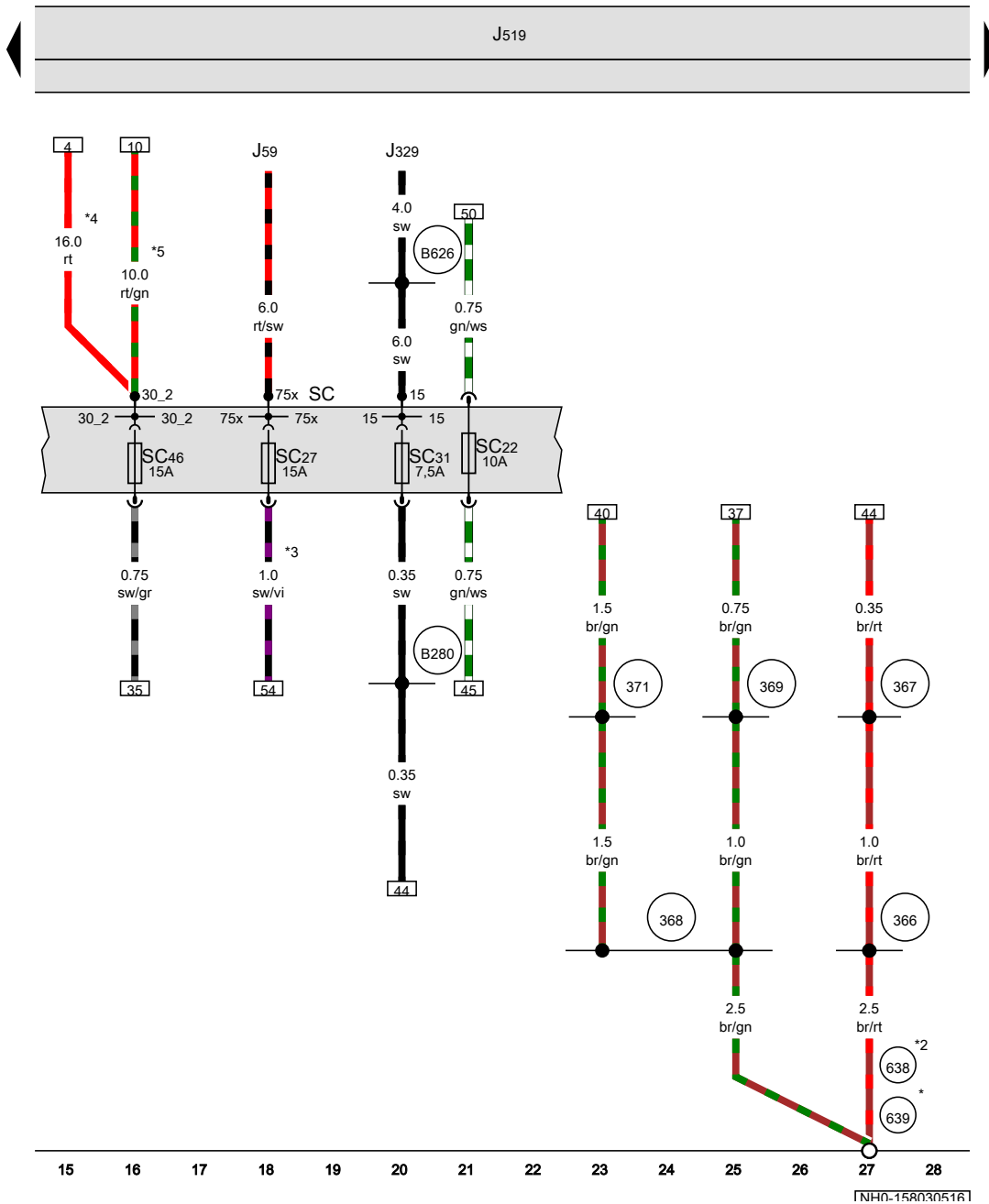
- A Battery
- J519 Onboard supply control unit
- SA Fuse holder A
- SA4 Fuse 4 in fuse holder A
- SB Fuse holder B
- SD1 Fuse 1 on fuse holder D
- SB8 Fuse 8 on fuse holder B
- SD Fuse holder D
- * Only models with battery in luggage compartment
- *2 Only models with battery in engine compartment



- ws = white
- sw = black
- ro = red
- rt = red
- br = brown
- gn = green
- bl = blue
- gr = grey
- li = purple
- vi = purple
- ge = yellow
- or = orange
- rs = pink

1 2 3 4 5 6 7 8 9 10 11 12 13 14

[NH0-158020516]



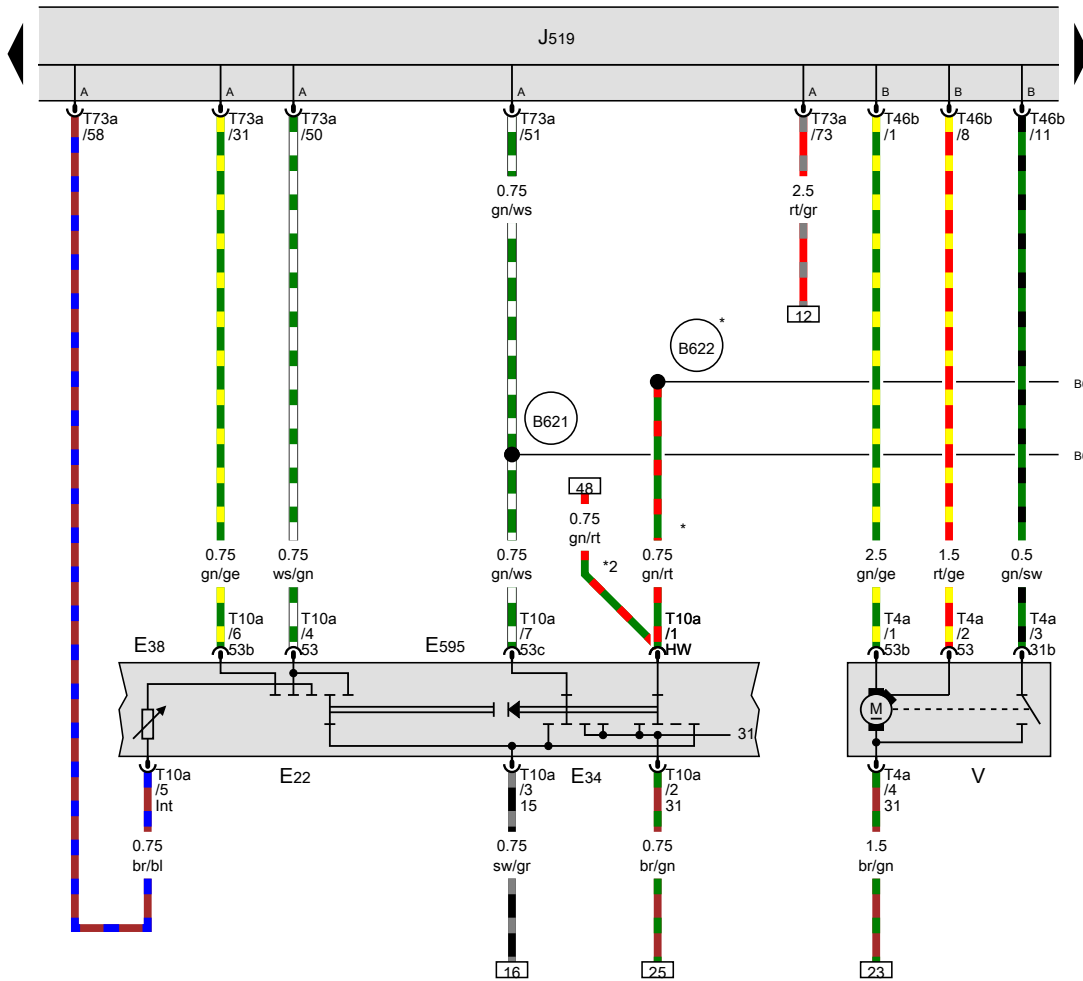
Fuse holder C

- J59 X-contact relief relay
- J329 Terminal 15 voltage supply relay
- J519 Onboard supply control unit
- SC Fuse holder C
- SC22 Fuse 22 on fuse holder C
- SC27 Fuse 27 on fuse holder C
- SC31 Fuse 31 on fuse holder C
- SC46 Fuse 46 on fuse holder C

- 366 Earth connection 1, in main wiring harness
- 367 Earth connection 2, in main wiring harness
- 368 Earth connection 3, in main wiring harness
- 369 Earth connection 4, in main wiring harness
- 371 Earth connection 6, in main wiring harness
- 638 Earth point, on right A-pillar
- 639 Earth point, left A-pillar
- B280 Positive connection 4 (15a) in main wiring harness
- B626 Positive connection 2 (15), in main wiring harness
- * Only left-hand drive models
- *2 Only right-hand drive models
- *3 Only models with rear window wiper
- *4 Only models with battery in luggage compartment
- *5 Only models with battery in engine compartment

- ws = white
- sw = black
- ro = red
- rt = red
- br = brown
- gn = green
- bl = blue
- gr = grey
- li = purple
- vi = purple
- ge = yellow
- or = orange
- rs = pink

[NH0-158030516]



Intermittent wiper switch, Rear wiper switch, Intermittent wiper regulator, Steering column combination switch, Windscreen wiper motor

- E22 Intermittent wiper switch
- E34 Rear wiper switch
- E38 Intermittent wiper regulator
- E595 Steering column combination switch
- J519 Onboard supply control unit
- T4a 4-pin connector
- T10a 10-pin connector
- T46b 46-pin connector, brown
- T73a 73-pin connector, black
- V Windscreen wiper motor

B621 Connection 1 (53c), in main wiring harness

B622 Connection (windscreen wiper), in main wiring harness

* Only models with rear window wiper

*2 Only models with no rear window wiper

- ws = white
- sw = black
- ro = red
- rt = red
- br = brown
- gn = green
- bl = blue
- gr = grey
- li = purple
- vi = purple
- ge = yellow
- or = orange
- rs = pink

29 30 31 32 33 34 35 36 37 38 39 40 41 42

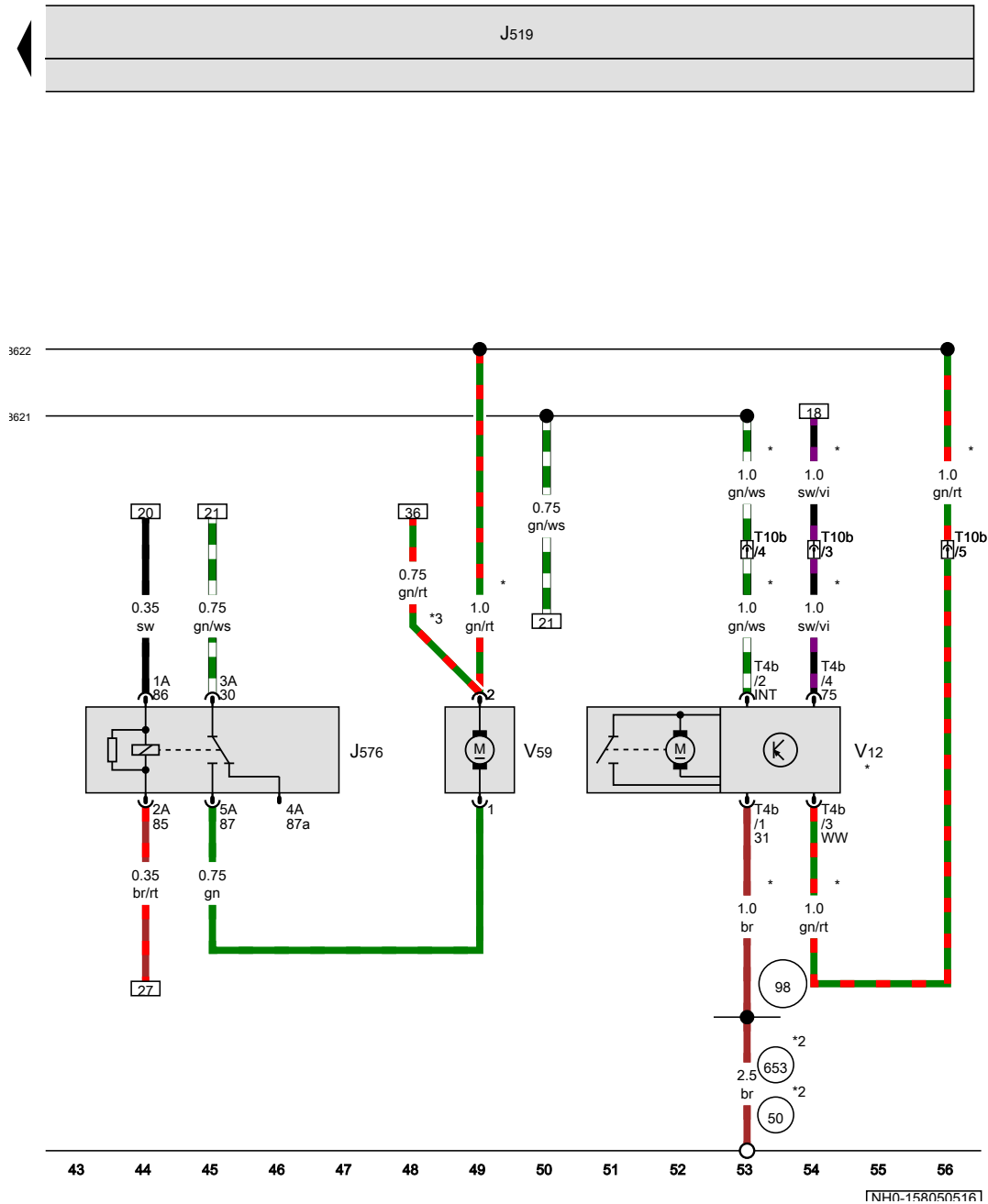
[NH0-158040516]

Washer pump relay, Rear window wiper motor, Windscreen and rear window washer pump

- J519 Onboard supply control unit
- J576 Washer pump relay
- T4b 4-pin connector
- T10b 10-pin connector
- V12 Rear window wiper motor
- V59 Windscreen and rear window washer pump

- 50 Earth point, on left in luggage compartment
- 98 Earth connection, in rear lid wiring harness
- 653 Earth point, on left D-pillar
- B621 Connection 1 (53c), in main wiring harness
- B622 Connection (windscreen wiper), in main wiring harness

- * Only models with rear window wiper
- *2 see fitting locations
- *3 Only models with no rear window wiper



- ws = white
- sw = black
- ro = red
- rt = red
- br = brown
- gn = green
- bl = blue
- gr = grey
- li = purple
- vi = purple
- ge = yellow
- or = orange
- rs = pink

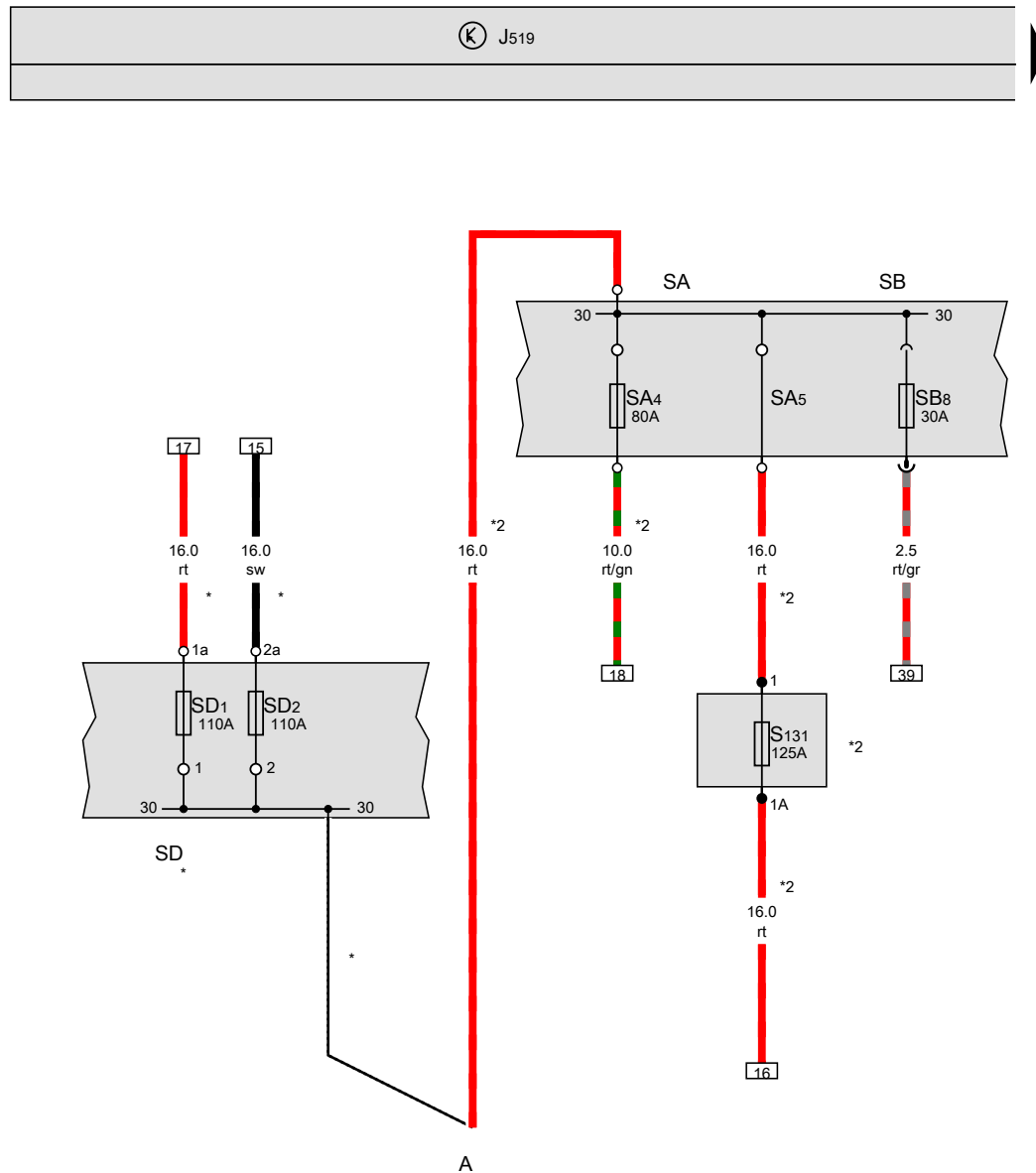
[NH0-158050516]

Window wash/wipe system , (4F2),(4I3),(4I6),(4I7),(4GX)

From May 2016

Battery, Fuse holder A, Fuse holder B, Fuse holder D

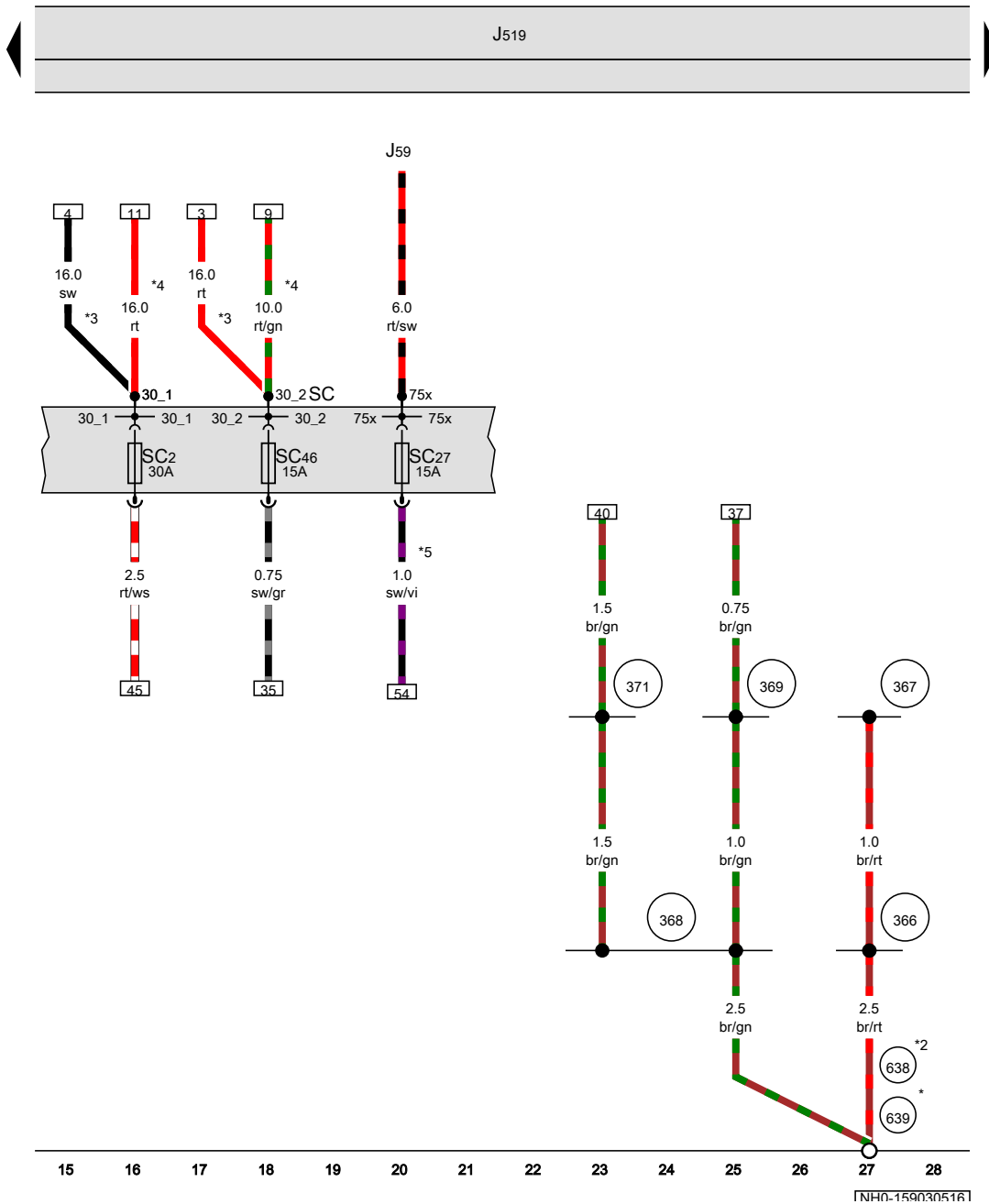
- A Battery
- J519 Onboard supply control unit
- SA Fuse holder A
- SD1 Fuse 1 on fuse holder D
- SD2 Fuse 2 on fuse holder D
- SA4 Fuse 4 in fuse holder A
- SA5 Fuse 5 in fuse holder A
- SB8 Fuse 8 on fuse holder B
- S131 Fuse 1, in main wiring harness
- SB Fuse holder B
- SD Fuse holder D
- * Only models with battery in luggage compartment
- *2 Only models with battery in engine compartment



- ws = white
- sw = black
- ro = red
- rt = red
- br = brown
- gn = green
- bl = blue
- gr = grey
- li = purple
- vi = purple
- ge = yellow
- or = orange
- rs = pink

1 2 3 4 5 6 7 8 9 10 11 12 13 14

[NH0-159020516]



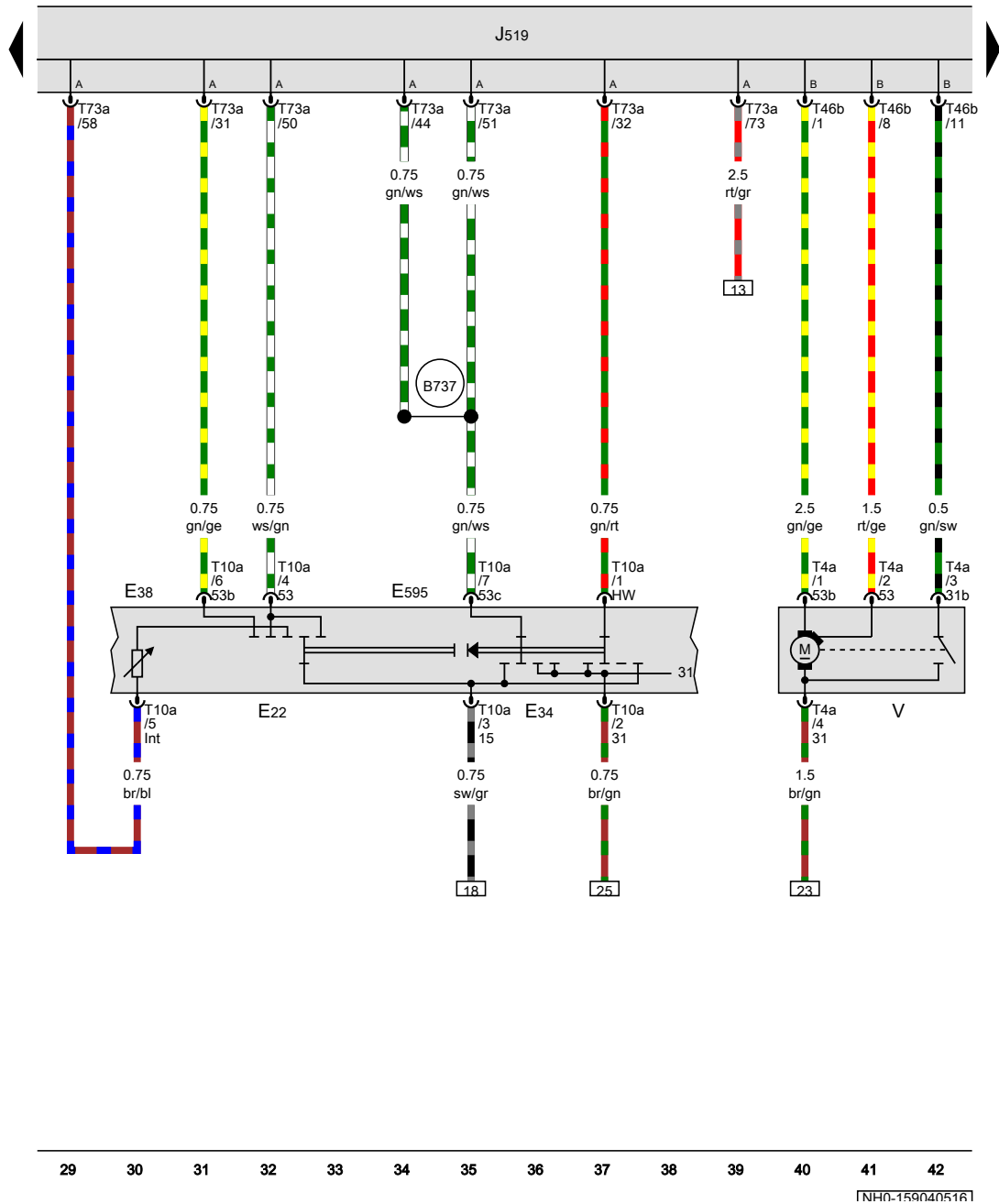
Fuse holder C

- J59 X-contact relief relay
- J519 Onboard supply control unit
- SC Fuse holder C
- SC2 Fuse 2 on fuse holder C
- SC27 Fuse 27 on fuse holder C
- SC46 Fuse 46 on fuse holder C

- 366 Earth connection 1, in main wiring harness
- 367 Earth connection 2, in main wiring harness
- 368 Earth connection 3, in main wiring harness
- 369 Earth connection 4, in main wiring harness
- 371 Earth connection 6, in main wiring harness
- 638 Earth point, on right A-pillar
- 639 Earth point, left A-pillar

- * Only left-hand drive models
- *2 Only right-hand drive models
- *3 Only models with battery in luggage compartment
- *4 Only models with battery in engine compartment
- *5 Only models with rear window wiper

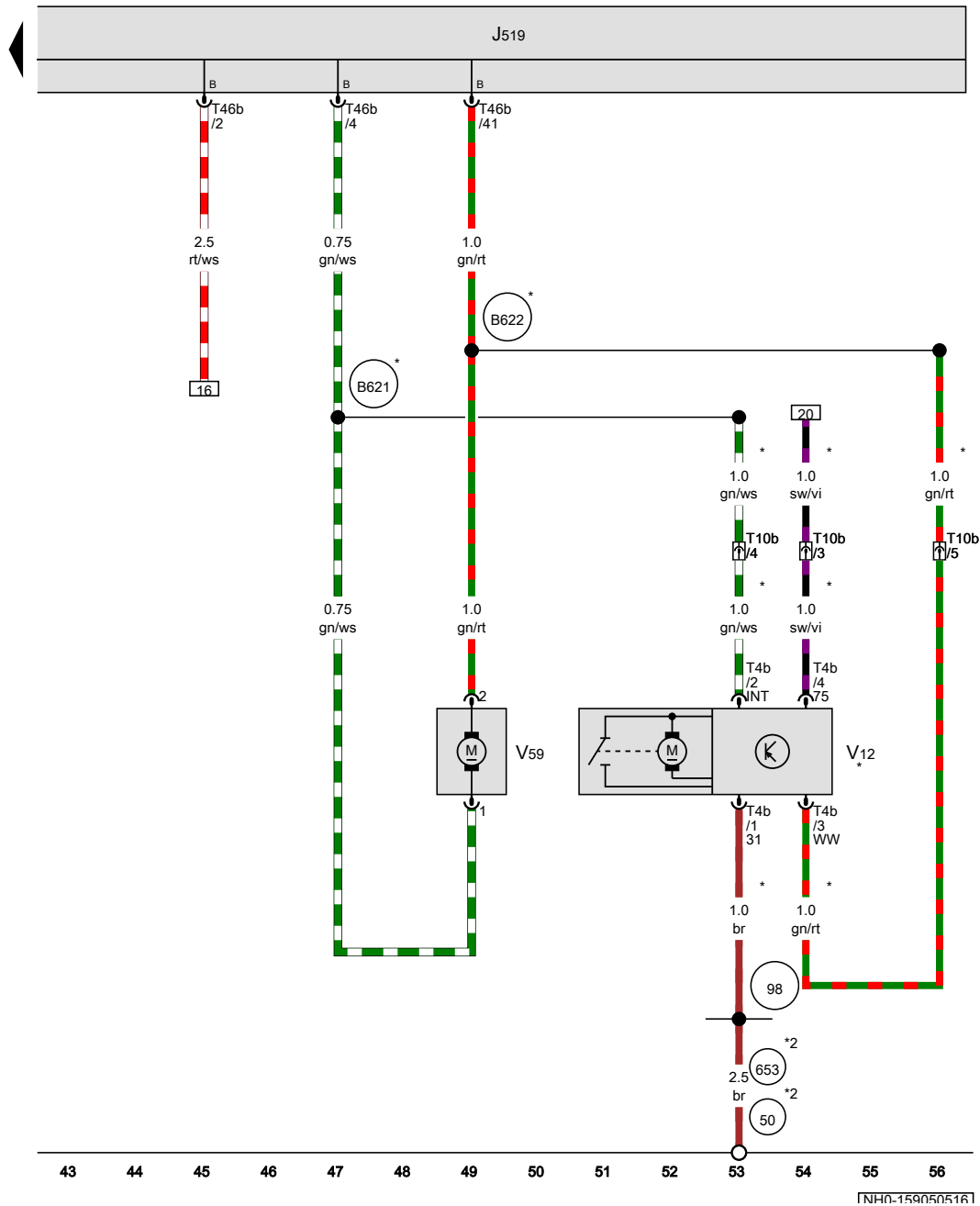
- ws = white
- sw = black
- ro = red
- rt = red
- br = brown
- gn = green
- bl = blue
- gr = grey
- li = purple
- vi = purple
- ge = yellow
- or = orange
- rs = pink



Intermittent wiper switch, Rear wiper switch, Intermittent wiper regulator, Steering column combination switch, Windscreen wiper motor

- E22 Intermittent wiper switch
- E34 Rear wiper switch
- E38 Intermittent wiper regulator
- E595 Steering column combination switch
- J519 Onboard supply control unit
- T4a 4-pin connector
- T10a 10-pin connector
- T46b 46-pin connector, brown
- T73a 73-pin connector, black
- V Windscreen wiper motor
- (B737) Connection 2 (53c), in main wiring harness

- ws = white
- sw = black
- ro = red
- rt = red
- br = brown
- gn = green
- bl = blue
- gr = grey
- li = purple
- vi = purple
- ge = yellow
- or = orange
- rs = pink



Rear window wiper motor, Windscreen and rear window washer pump

- J519 Onboard supply control unit
- T4b 4-pin connector
- T10b 10-pin connector
- T46b 46-pin connector, brown
- V12 Rear window wiper motor
- V59 Windscreen and rear window washer pump

- 50 Earth point, on left in luggage compartment
- 98 Earth connection, in rear lid wiring harness
- 653 Earth point, on left D-pillar
- B621 Connection 1 (53c), in main wiring harness
- B622 Connection (windscreen wiper), in main wiring harness

* Only models with rear window wiper
 *2 see fitting locations

- ws = white
- sw = black
- ro = red
- rt = red
- br = brown
- gn = green
- bl = blue
- gr = grey
- li = purple
- vi = purple
- ge = yellow
- or = orange
- rs = pink

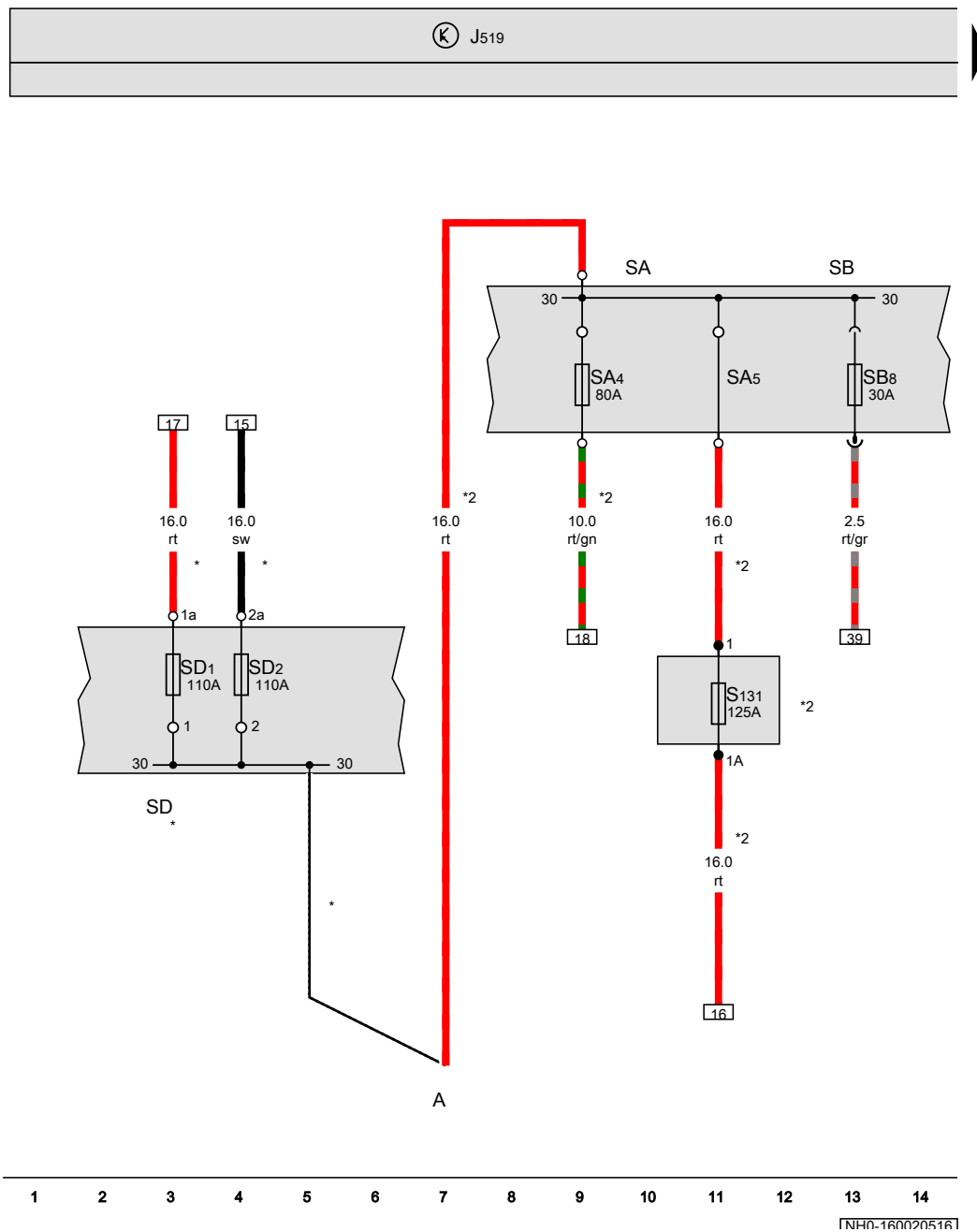
[NH0-159050516]

Window wash/wipe system , (4K3),(4I1),(4I2),(4GX)

From May 2016

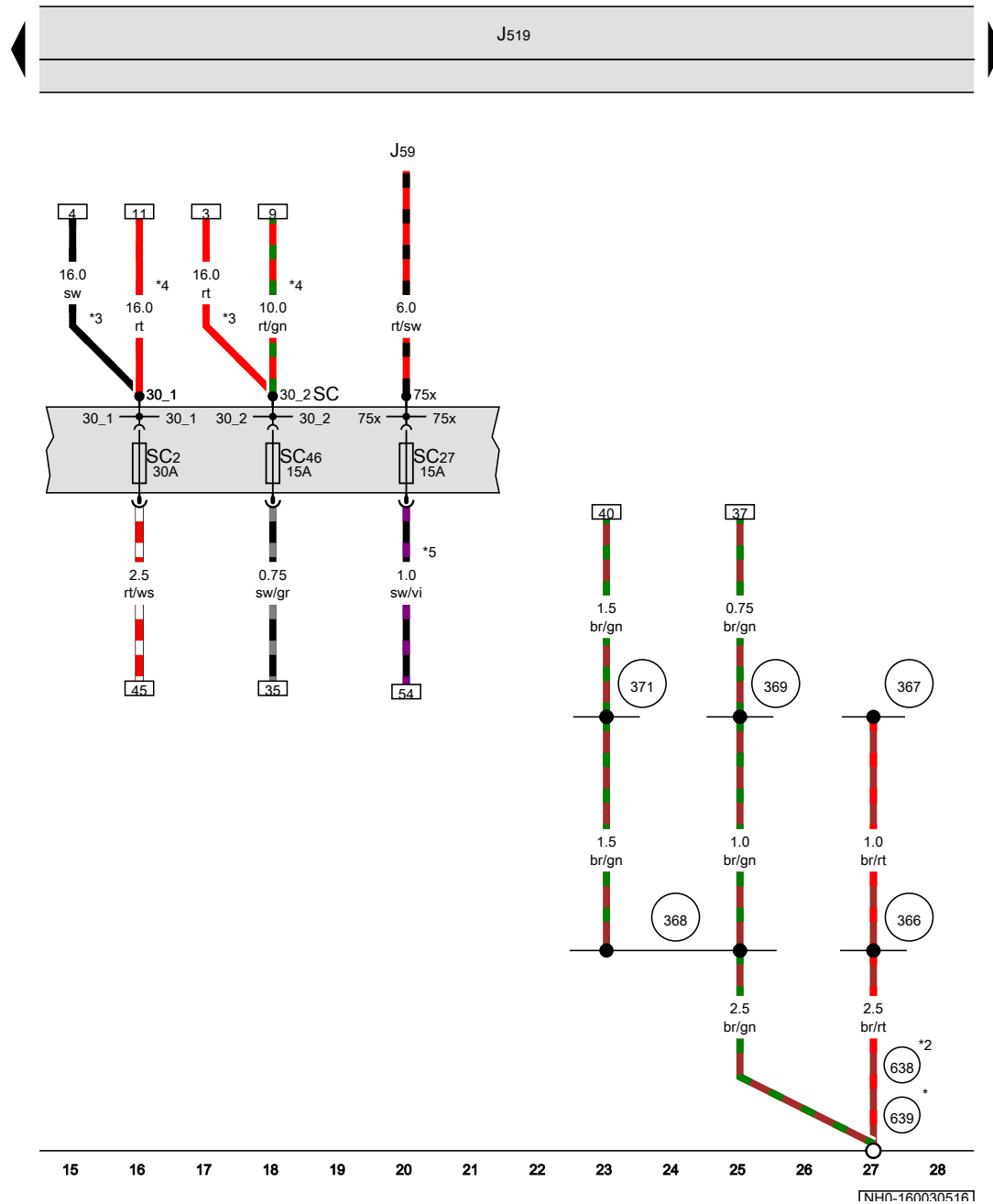
Battery, Fuse holder A, Fuse holder B, Fuse holder D

- A Battery
- J519 Onboard supply control unit
- SA Fuse holder A
- SD1 Fuse 1 on fuse holder D
- SD2 Fuse 2 on fuse holder D
- SA4 Fuse 4 in fuse holder A
- SA5 Fuse 5 in fuse holder A
- SB8 Fuse 8 on fuse holder B
- S131 Fuse 1, in main wiring harness
- SB Fuse holder B
- SD Fuse holder D
- * Only models with battery in luggage compartment
- *2 Only models with battery in engine compartment



- ws = white
- sw = black
- ro = red
- rt = red
- br = brown
- gn = green
- bl = blue
- gr = grey
- li = purple
- vi = purple
- ge = yellow
- or = orange
- rs = pink

[NH0-160020516]



Fuse holder C

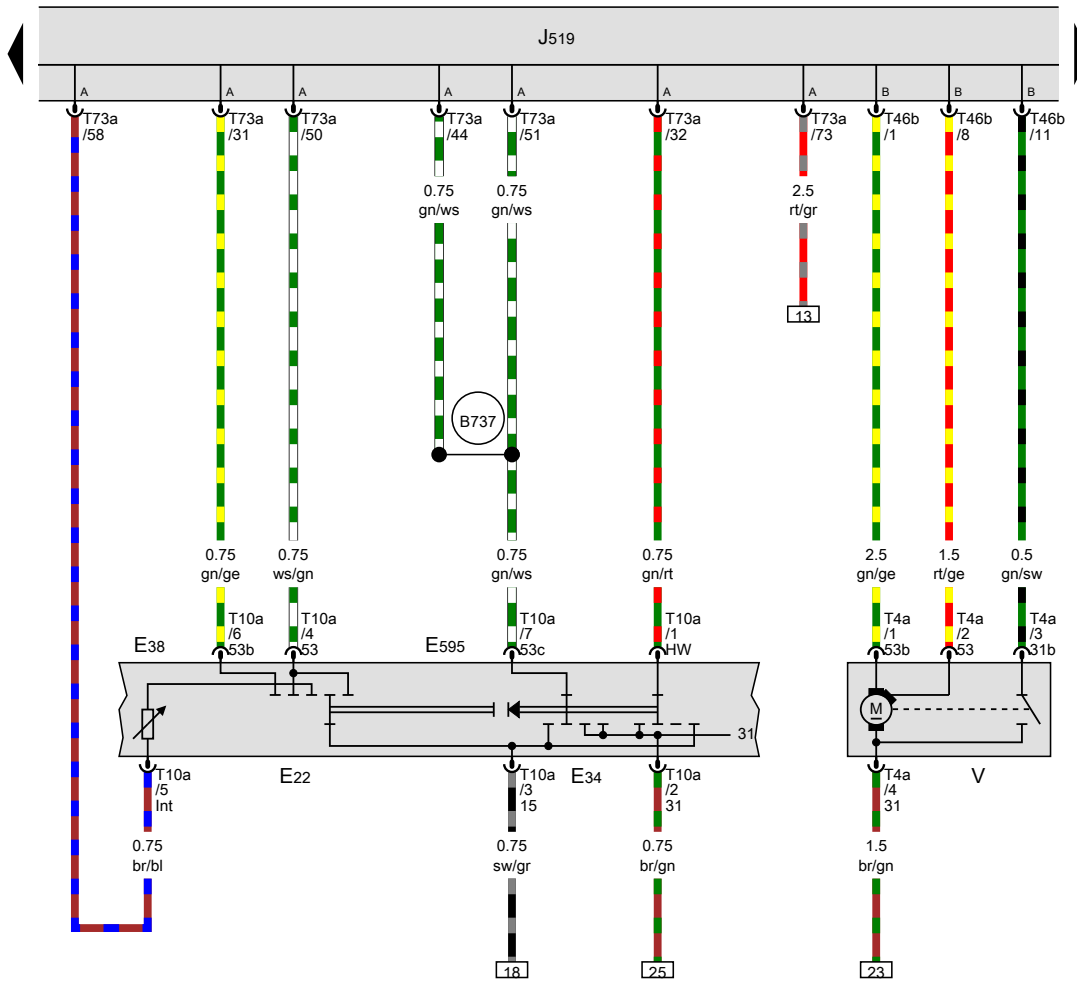
- J59 X-contact relief relay
- J519 Onboard supply control unit
- SC Fuse holder C
- SC2 Fuse 2 on fuse holder C
- SC27 Fuse 27 on fuse holder C
- SC46 Fuse 46 on fuse holder C

- 366 Earth connection 1, in main wiring harness
- 367 Earth connection 2, in main wiring harness
- 368 Earth connection 3, in main wiring harness
- 369 Earth connection 4, in main wiring harness
- 371 Earth connection 6, in main wiring harness
- 638 Earth point, on right A-pillar
- 639 Earth point, left A-pillar

- * Only left-hand drive models
- *2 Only right-hand drive models
- *3 Only models with battery in luggage compartment
- *4 Only models with battery in engine compartment
- *5 Only models with rear window wiper

- ws = white
- sw = black
- ro = red
- rt = red
- br = brown
- gn = green
- bl = blue
- gr = grey
- li = purple
- vi = purple
- ge = yellow
- or = orange
- rs = pink

[NH0-160030516]



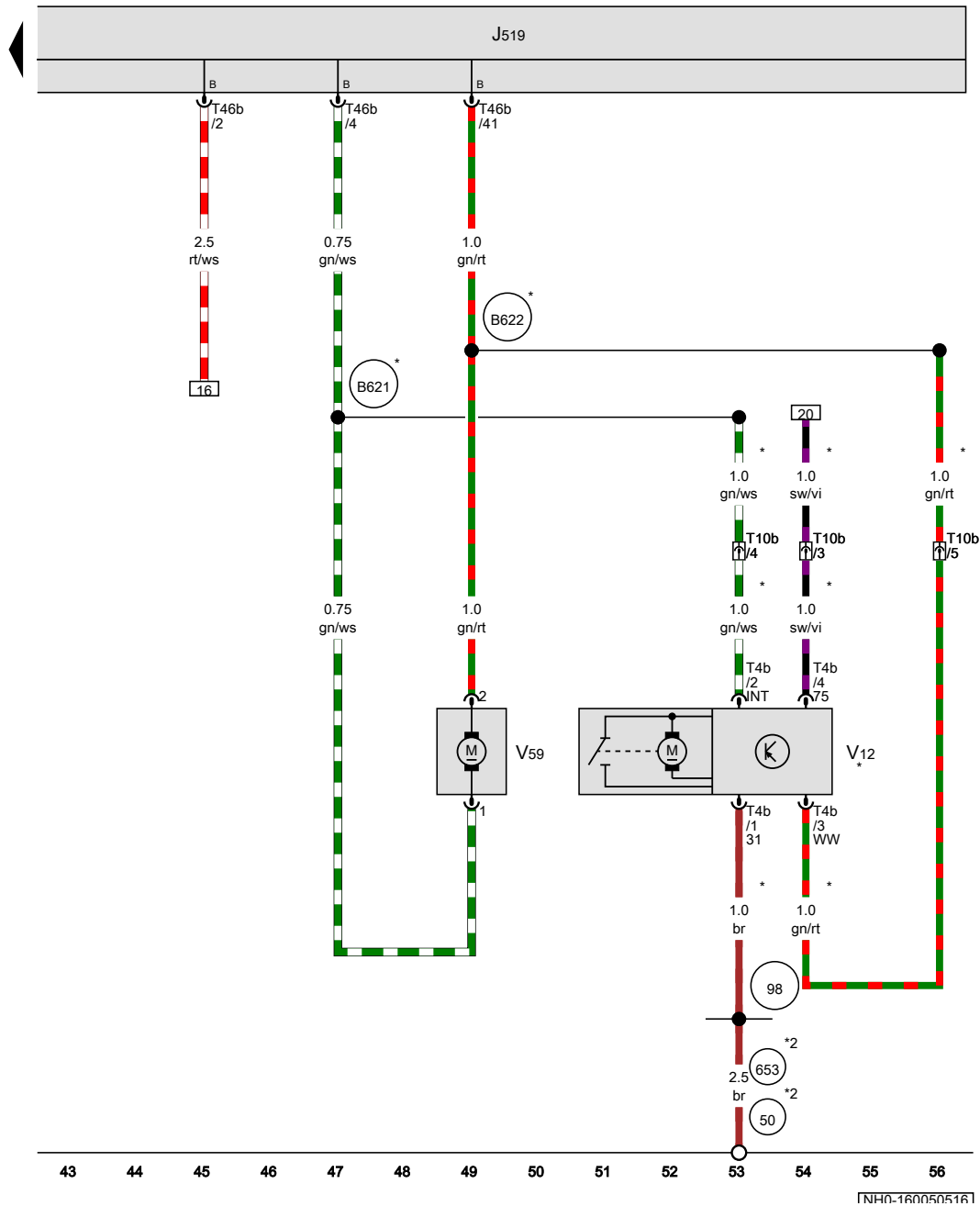
Intermittent wiper switch, Rear wiper switch, Intermittent wiper regulator, Steering column combination switch, Windscreen wiper motor

- E22 Intermittent wiper switch
 - E34 Rear wiper switch
 - E38 Intermittent wiper regulator
 - E595 Steering column combination switch
 - J519 Onboard supply control unit
 - T4a 4-pin connector
 - T10a 10-pin connector
 - T46b 46-pin connector, brown
 - T73a 73-pin connector, black
 - V Windscreen wiper motor
- (B737) Connection 2 (53c), in main wiring harness

- ws = white
- sw = black
- ro = red
- rt = red
- br = brown
- gn = green
- bl = blue
- gr = grey
- li = purple
- vi = purple
- ge = yellow
- or = orange
- rs = pink

29 30 31 32 33 34 35 36 37 38 39 40 41 42

[NH0-160040516]



Rear window wiper motor, Windscreen and rear window washer pump

- J519 Onboard supply control unit
- T4b 4-pin connector
- T10b 10-pin connector
- T46b 46-pin connector, brown
- V12 Rear window wiper motor
- V59 Windscreen and rear window washer pump

- 50 Earth point, on left in luggage compartment
- 98 Earth connection, in rear lid wiring harness
- 653 Earth point, on left D-pillar
- B621 Connection 1 (53c), in main wiring harness
- B622 Connection (windscreen wiper), in main wiring harness
- * Only models with rear window wiper
- *2 see fitting locations

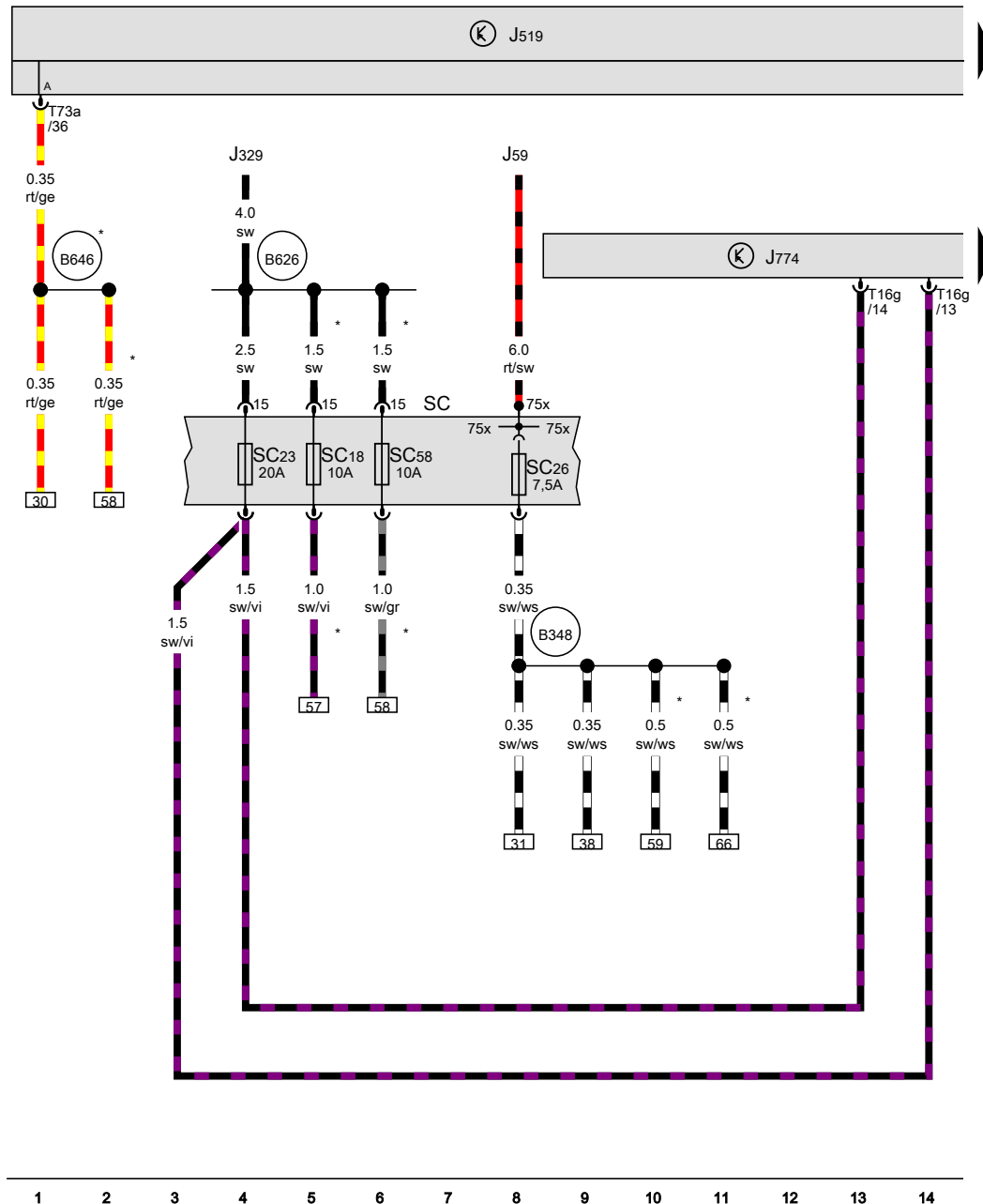
- ws = white
- sw = black
- ro = red
- rt = red
- br = brown
- gn = green
- bl = blue
- gr = grey
- li = purple
- vi = purple
- ge = yellow
- or = orange
- rs = pink

[NH0-160050516]

Seat heating , (L0L)

From May 2016

Heated front seats control unit, Fuse holder C



- J59 X-contact relief relay
- J329 Terminal 15 voltage supply relay
- J519 Onboard supply control unit
- J774 Heated front seats control unit, behind dash panel, centre
- SC Fuse holder C
- SC18 Fuse 18 on fuse holder C
- SC23 Fuse 23 on fuse holder C
- SC26 Fuse 26 on fuse holder C
- SC58 Fuse 58 on fuse holder C
- T16g 16-pin connector
- T73a 73-pin connector, black
- B348 Connection 1 (75a), in main wiring harness
- B626 Positive connection 2 (15), in main wiring harness
- B646 Connection 3 (seat heating), in main wiring harness
- * Only models with heated rear seats

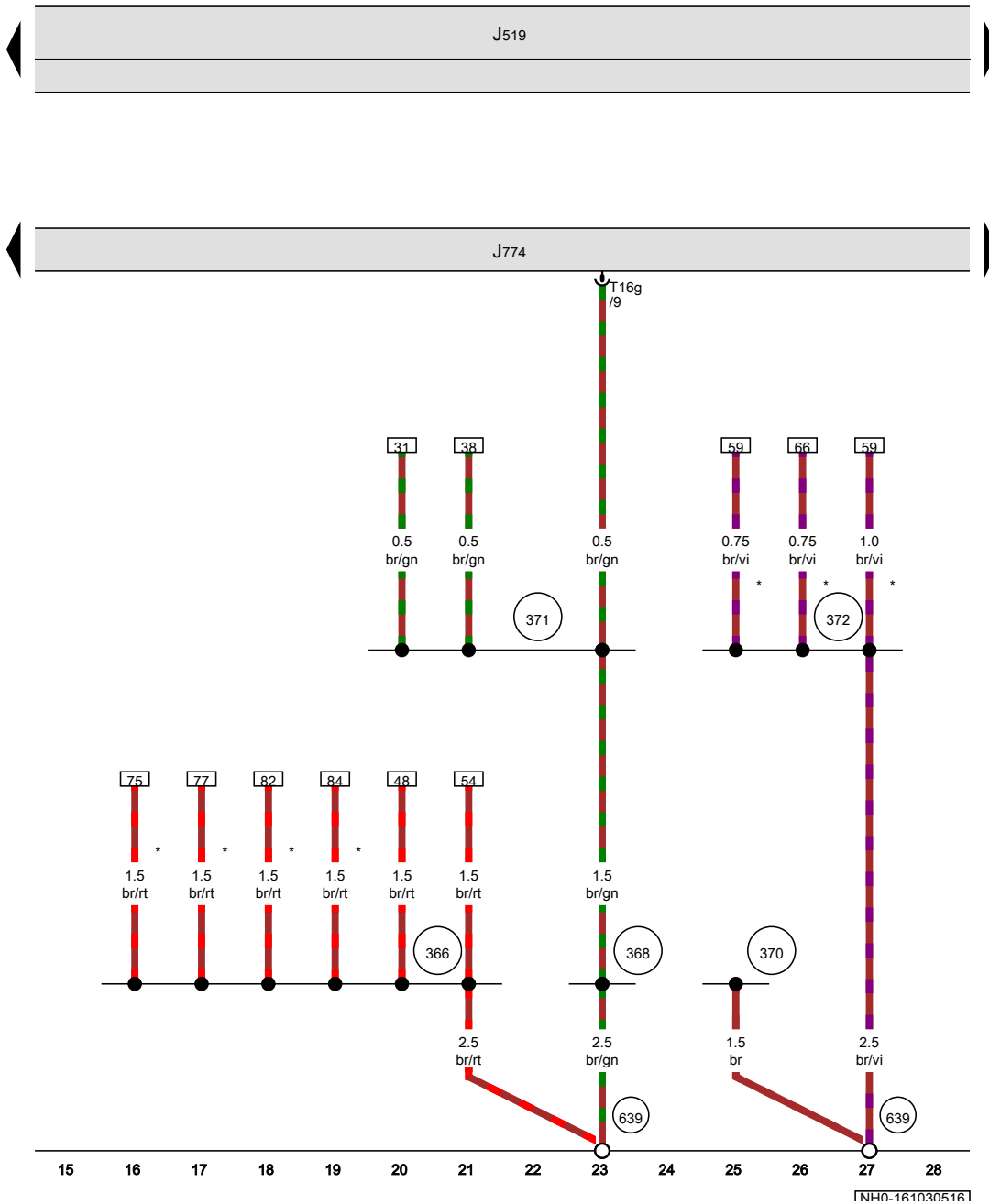
- ws = white
- sw = black
- ro = red
- rt = red
- br = brown
- gn = green
- bl = blue
- gr = grey
- li = purple
- vi = purple
- ge = yellow
- or = orange
- rs = pink

Heated front seats control unit

J519 Onboard supply control unit
 J774 Heated front seats control unit, behind dash panel, centre
 T16g 16-pin connector

- 366 Earth connection 1, in main wiring harness
- 368 Earth connection 3, in main wiring harness
- 370 Earth connection 5, in main wiring harness
- 371 Earth connection 6, in main wiring harness
- 372 Earth connection 7, in main wiring harness
- 639 Earth point, left A-pillar

* Only models with heated rear seats



ws = white
 sw = black
 ro = red
 rt = red
 br = brown
 gn = green
 bl = blue
 gr = grey
 li = purple
 vi = purple
 ge = yellow
 or = orange
 rs = pink

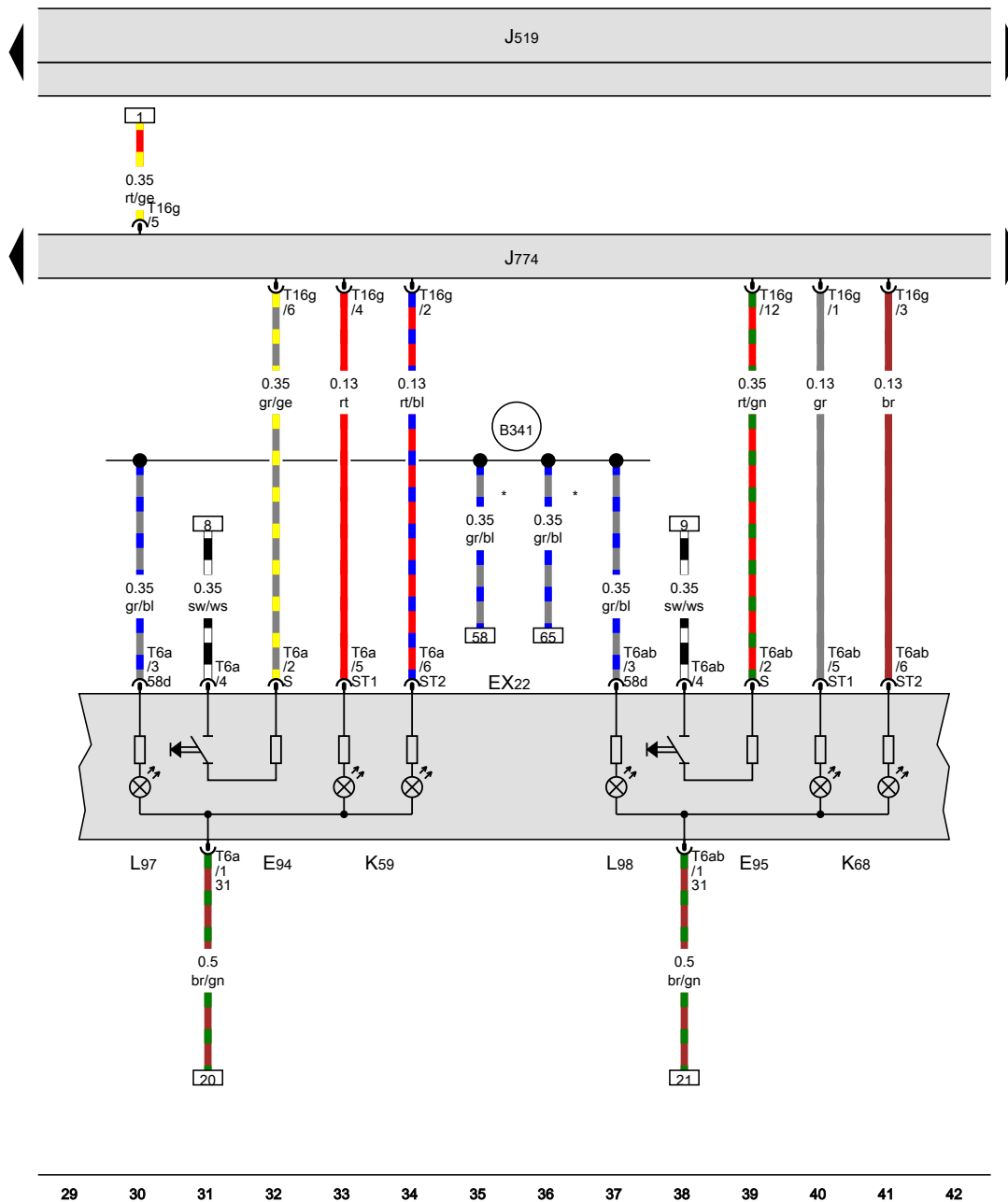
[NH0-161030516]

Centre switch module in dash panel, Heated driver seat regulator, Heated front passenger seat regulator, Heated front seats control unit

- EX22 Centre switch module in dash panel
- E94 Heated driver seat regulator
- E95 Heated front passenger seat regulator
- J519 Onboard supply control unit
- J774 Heated front seats control unit behind dash panel, centre
- K59 Heated driver seat warning lamp
- K68 Heated front passenger seat warning lamp
- L97 Heated driver seat switch illumination bulb
- L98 Heated front passenger seat switch illumination bulb
- T6a 6-pin connector, red
- T6ab 6-pin connector, blue
- T16g 16-pin connector

B341 Connection 2 (58d), in main wiring harness

* Only models with heated rear seats



- ws = white
- sw = black
- ro = red
- rt = red
- br = brown
- gn = green
- bl = blue
- gr = grey
- li = purple
- vi = purple
- ge = yellow
- or = orange
- rs = pink

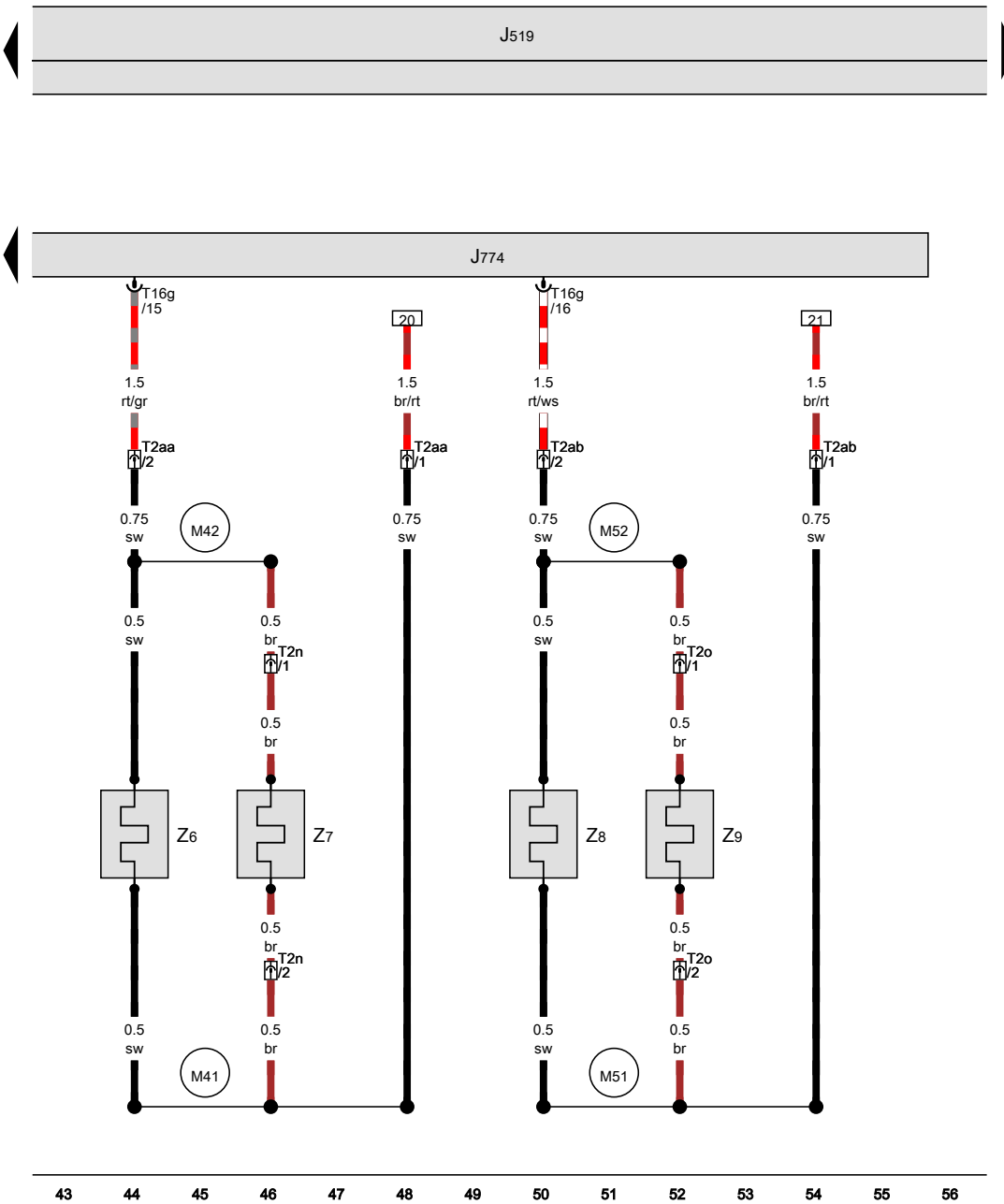
29 30 31 32 33 34 35 36 37 38 39 40 41 42

[NHN-161040516]

Heated front seats control unit, Heated seat cushion for driver seat, Heated backrest for driver seat, Heated seat cushion for front passenger seat, Heated backrest for front passenger seat

- J519 Onboard supply control unit
- J774 Heated front seats control unit, behind dash panel, centre
- T2aa 2-pin connector, under driver seat, red
- T2ab 2-pin connector, under front passenger seat, red
- T2n 2-pin connector, under driver seat
- T2o 2-pin connector, under front passenger seat
- T16g 16-pin connector
- Z6 Heated seat cushion for driver seat
- Z7 Heated backrest for driver seat
- Z8 Heated seat cushion for front passenger seat
- Z9 Heated backrest for front passenger seat

- M41 Connection 1, in driver seat wiring harness
- M42 Connection 2, in driver seat wiring harness
- M51 Connection 1, in front passenger seat wiring harness
- M52 Connection 2, in front passenger seat wiring harness

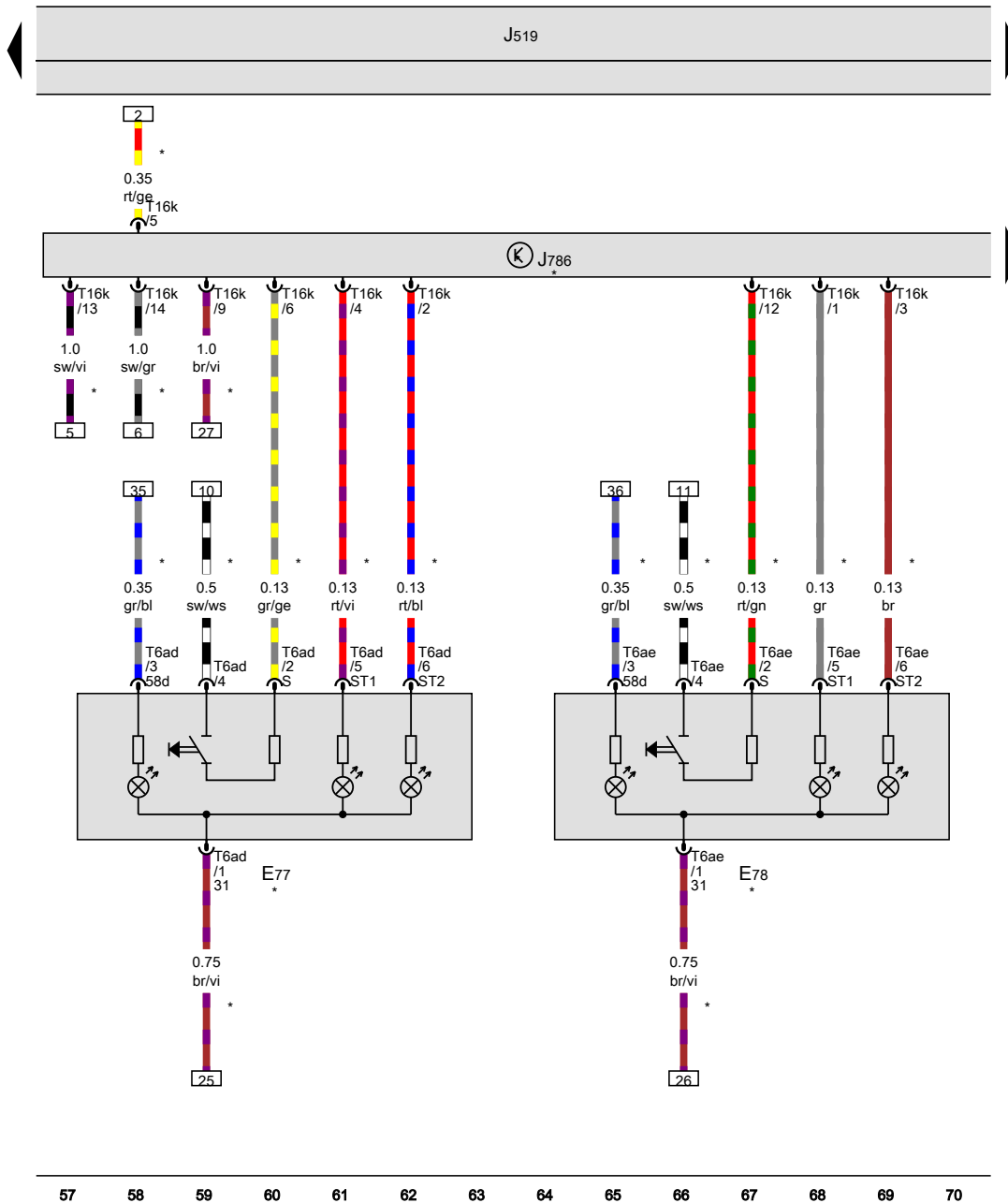


- ws = white
- sw = black
- ro = red
- rt = red
- br = brown
- gn = green
- bl = blue
- gr = grey
- li = purple
- vi = purple
- ge = yellow
- or = orange
- rs = pink

[NH0-161050516]

Rear left seat heating switch, Rear right seat heating switch, Heated rear seats control unit

- E77 Rear left seat heating switch
- E78 Rear right seat heating switch
- J519 Onboard supply control unit
- J786 Heated rear seats control unit, on left in luggage compartment
- T6ad 6-pin connector, grey
- T6ae 6-pin connector, blue
- T16k 16-pin connector
- * Only models with heated rear seats



- ws = white
- sw = black
- ro = red
- rt = red
- br = brown
- gn = green
- bl = blue
- gr = grey
- li = purple
- vi = purple
- ge = yellow
- or = orange
- rs = pink

[NH0-161060516]

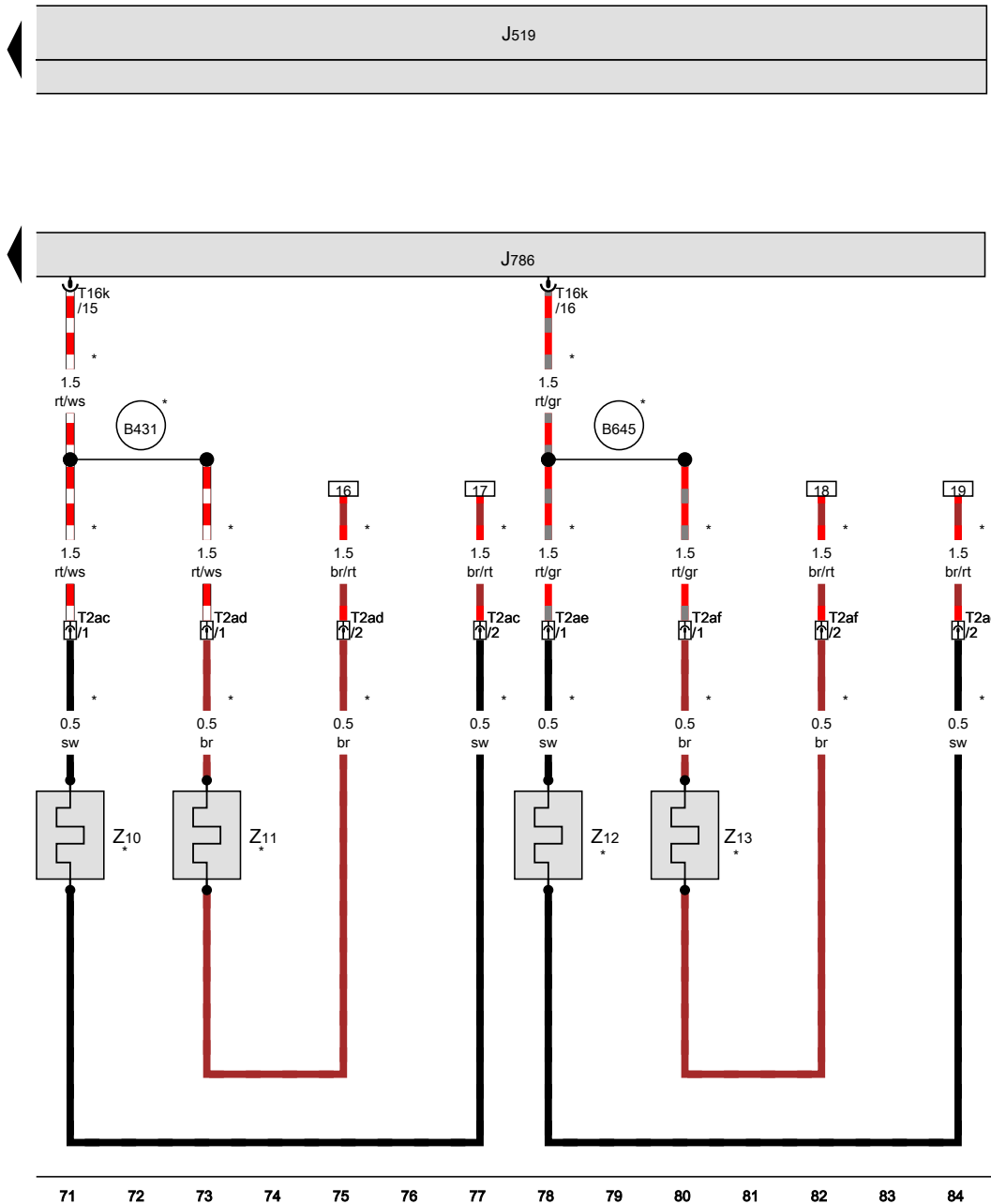
Heated rear seats control unit, Heated bench seat cushion for rear left seat, Heated backrest for rear left seat, Heated bench seat cushion for rear right seat, Heated backrest for rear right seat

- J519 Onboard supply control unit
- J786 Heated rear seats control unit, on left in luggage compartment
- T2ac 2-pin connector, under left rear seat, grey
- T2ad 2-pin connector, under left rear seat, red
- T2ae 2-pin connector, under right rear seat, blue
- T2af 2-pin connector, under right rear seat, red
- T16k 16-pin connector
- Z10 Heated bench seat cushion for rear left seat
- Z11 Heated backrest for rear left seat
- Z12 Heated bench seat cushion for rear right seat
- Z13 Heated backrest for rear right seat

B431 Connection (seat heating), in main wiring harness

B645 Connection 2 (seat heating), in main wiring harness

* Only models with heated rear seats



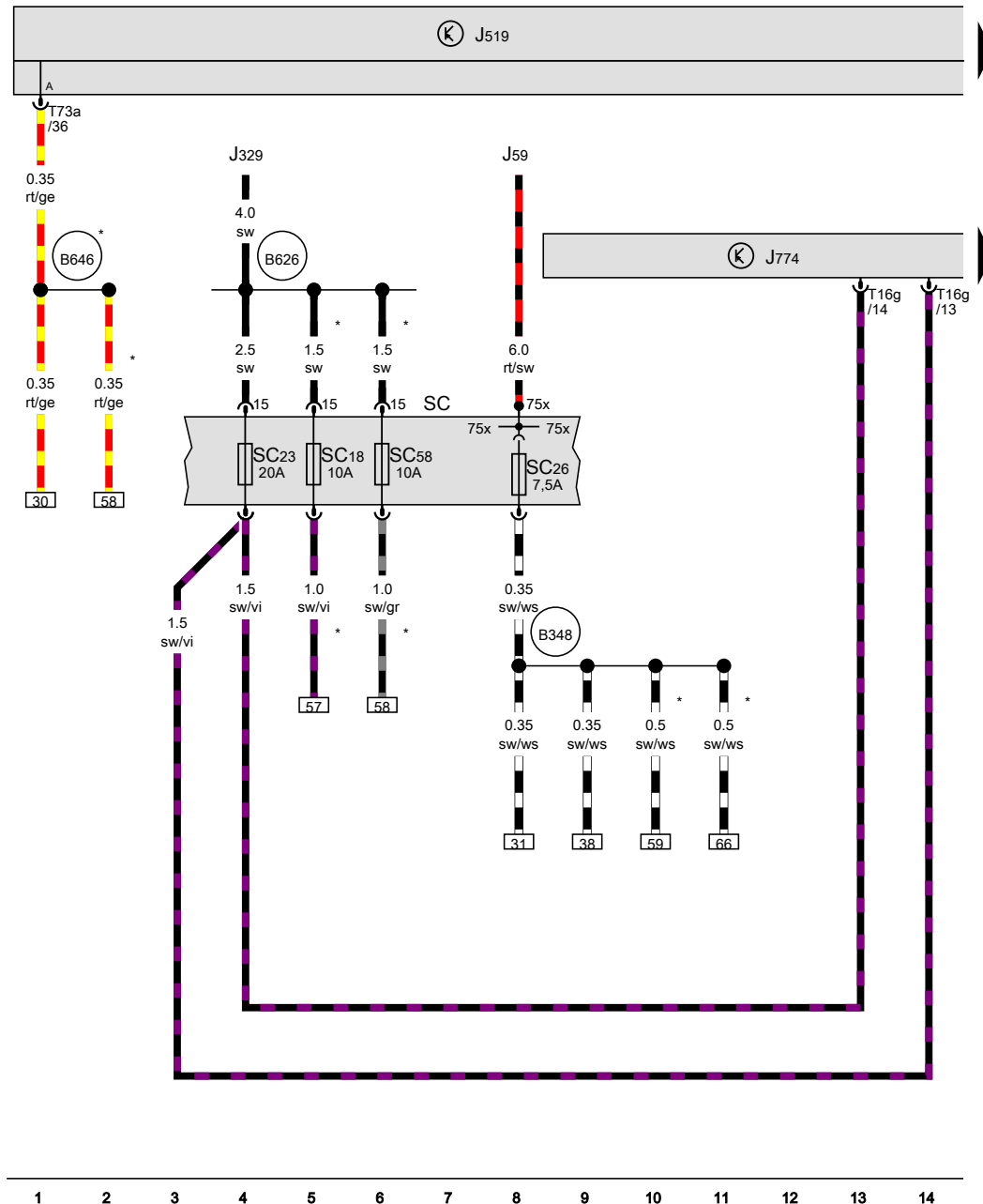
- ws = white
- sw = black
- ro = red
- rt = red
- br = brown
- gn = green
- bl = blue
- gr = grey
- li = purple
- vi = purple
- ge = yellow
- or = orange
- rs = pink

[NH0-161070516]

Seat heating , (L0R)

From May 2016

Heated front seats control unit, Fuse holder C



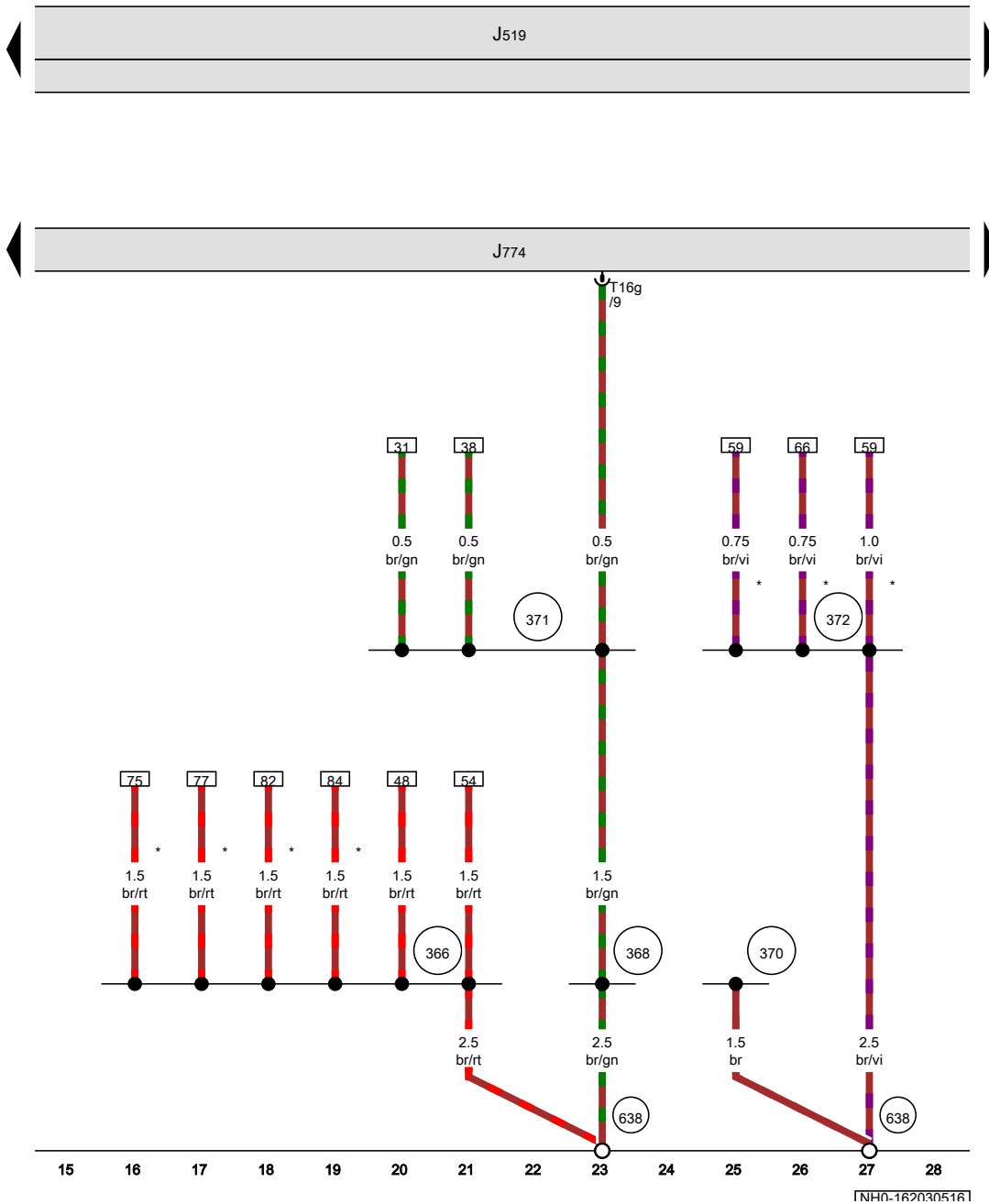
- J59 X-contact relief relay
- J329 Terminal 15 voltage supply relay
- J519 Onboard supply control unit
- J774 Heated front seats control unit, behind dash panel, centre
- SC Fuse holder C
- SC18 Fuse 18 on fuse holder C
- SC23 Fuse 23 on fuse holder C
- SC26 Fuse 26 on fuse holder C
- SC58 Fuse 58 on fuse holder C
- T16g 16-pin connector
- T73a 73-pin connector, black
- B348 Connection 1 (75a), in main wiring harness
- B626 Positive connection 2 (15), in main wiring harness
- B646 Connection 3 (seat heating), in main wiring harness
- * Only models with heated rear seats

- ws = white
- sw = black
- ro = red
- rt = red
- br = brown
- gn = green
- bl = blue
- gr = grey
- li = purple
- vi = purple
- ge = yellow
- or = orange
- rs = pink

Heated front seats control unit

- J519 Onboard supply control unit
- J774 Heated front seats control unit, behind dash panel, centre
- T16g 16-pin connector

- 366 Earth connection 1, in main wiring harness
- 368 Earth connection 3, in main wiring harness
- 370 Earth connection 5, in main wiring harness
- 371 Earth connection 6, in main wiring harness
- 372 Earth connection 7, in main wiring harness
- 638 Earth point, on right A-pillar
- * Only models with heated rear seats



- ws = white
- sw = black
- ro = red
- rt = red
- br = brown
- gn = green
- bl = blue
- gr = grey
- li = purple
- vi = purple
- ge = yellow
- or = orange
- rs = pink

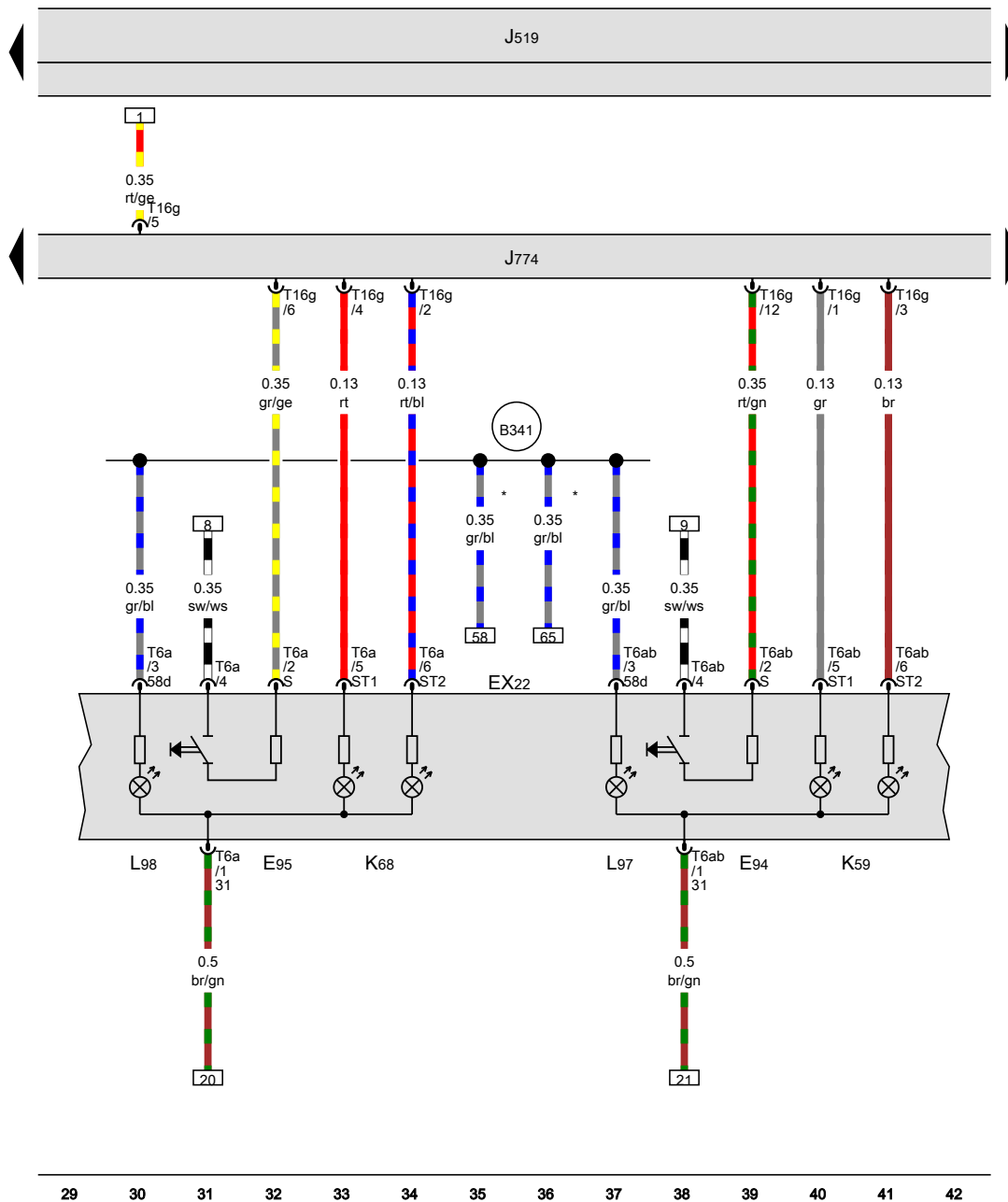
[NH0-162030516]

Centre switch module in dash panel, Heated driver seat regulator, Heated front passenger seat regulator, Heated front seats control unit

- EX22 Centre switch module in dash panel
- E94 Heated driver seat regulator
- E95 Heated front passenger seat regulator
- J519 Onboard supply control unit
- J774 Heated front seats control unit, behind dash panel, centre
- K59 Heated driver seat warning lamp
- K68 Heated front passenger seat warning lamp
- L97 Heated driver seat switch illumination bulb
- L98 Heated front passenger seat switch illumination bulb
- T6a 6-pin connector, red
- T6ab 6-pin connector, blue
- T16g 16-pin connector

B341 Connection 2 (58d), in main wiring harness

* Only models with heated rear seats



- ws = white
- sw = black
- ro = red
- rt = red
- br = brown
- gn = green
- bl = blue
- gr = grey
- li = purple
- vi = purple
- ge = yellow
- or = orange
- rs = pink

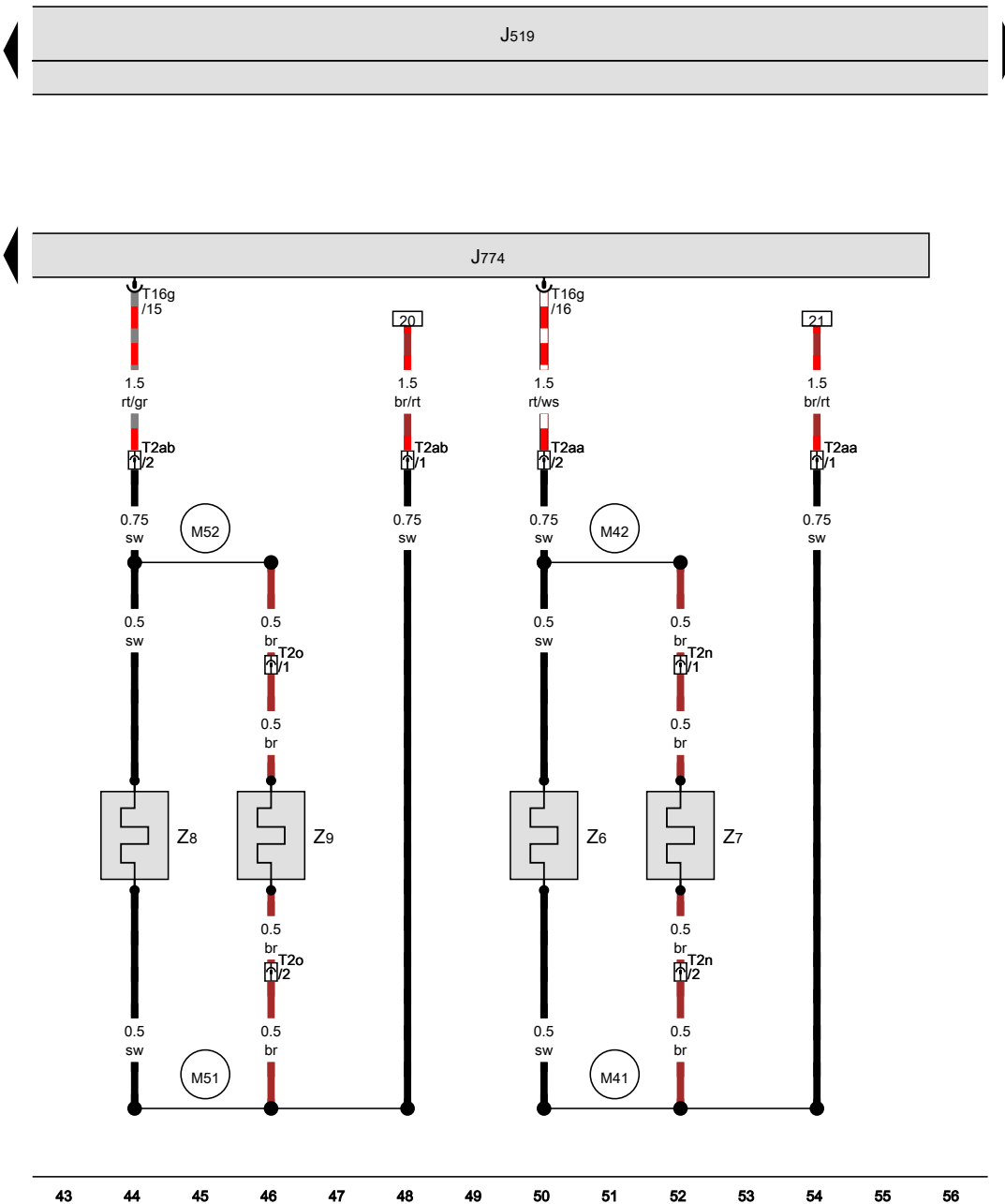
29 30 31 32 33 34 35 36 37 38 39 40 41 42

[NH0-162040516]

Heated front seats control unit, Heated seat cushion for driver seat, Heated backrest for driver seat, Heated seat cushion for front passenger seat, Heated backrest for front passenger seat

- J519 Onboard supply control unit
- J774 Heated front seats control unit, behind dash panel, centre
- T2aa 2-pin connector, under driver seat, red
- T2ab 2-pin connector, under front passenger seat, red
- T2n 2-pin connector, under driver seat
- T2o 2-pin connector, under front passenger seat
- T16g 16-pin connector
- Z6 Heated seat cushion for driver seat
- Z7 Heated backrest for driver seat
- Z8 Heated seat cushion for front passenger seat
- Z9 Heated backrest for front passenger seat

- M41 Connection 1, in driver seat wiring harness
- M42 Connection 2, in driver seat wiring harness
- M51 Connection 1, in front passenger seat wiring harness
- M52 Connection 2, in front passenger seat wiring harness



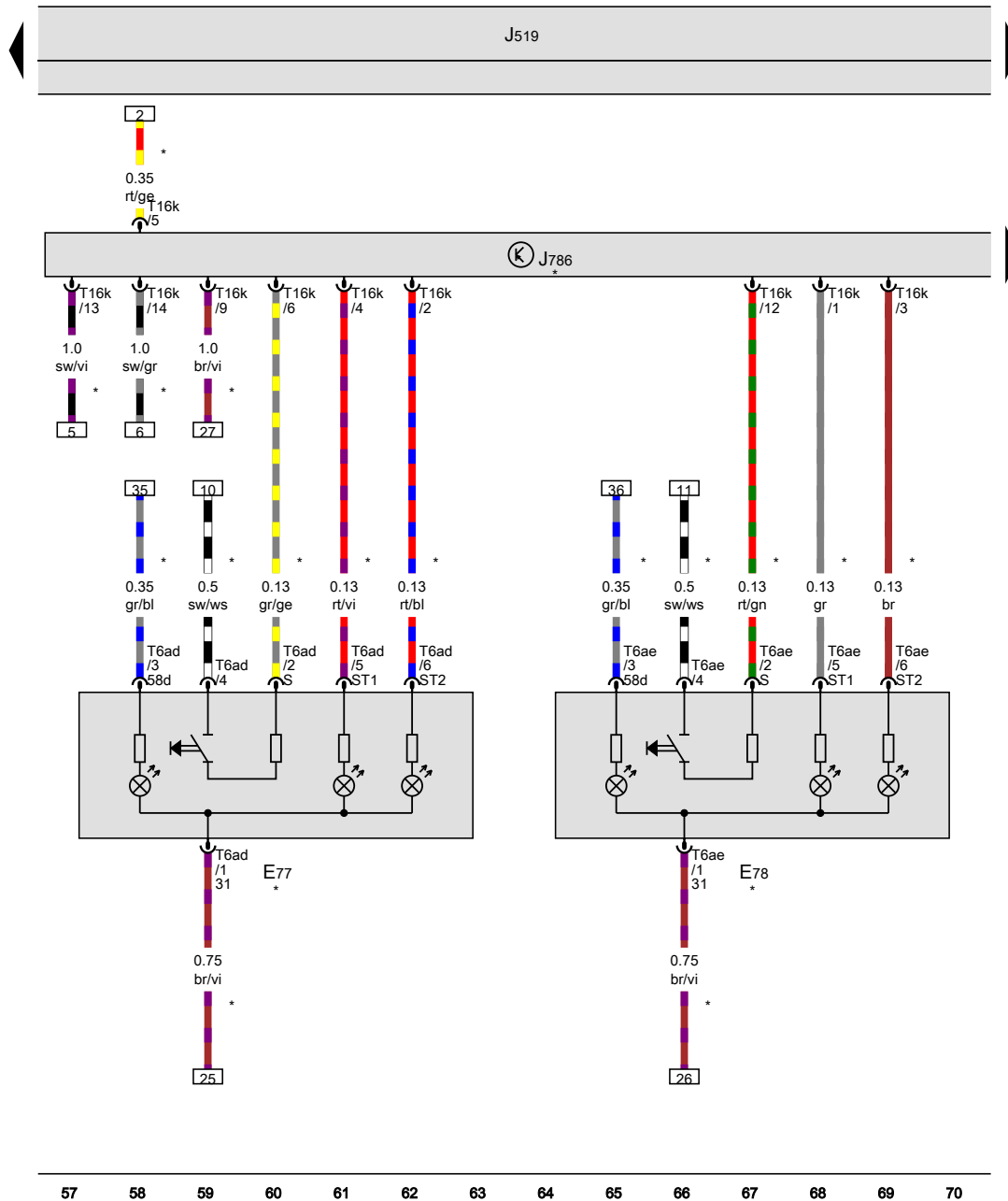
- ws = white
- sw = black
- ro = red
- rt = red
- br = brown
- gn = green
- bl = blue
- gr = grey
- li = purple
- vi = purple
- ge = yellow
- or = orange
- rs = pink

43 44 45 46 47 48 49 50 51 52 53 54 55 56

[NH0-162050516]

Rear left seat heating switch, Rear right seat heating switch, Heated rear seats control unit

- E77 Rear left seat heating switch
- E78 Rear right seat heating switch
- J519 Onboard supply control unit
- J786 Heated rear seats control unit, on left in luggage compartment
- T6ad 6-pin connector, grey
- T6ae 6-pin connector, blue
- T16k 16-pin connector
- * Only models with heated rear seats



- ws = white
- sw = black
- ro = red
- rt = red
- br = brown
- gn = green
- bl = blue
- gr = grey
- li = purple
- vi = purple
- ge = yellow
- or = orange
- rs = pink

[NH0-162060516]

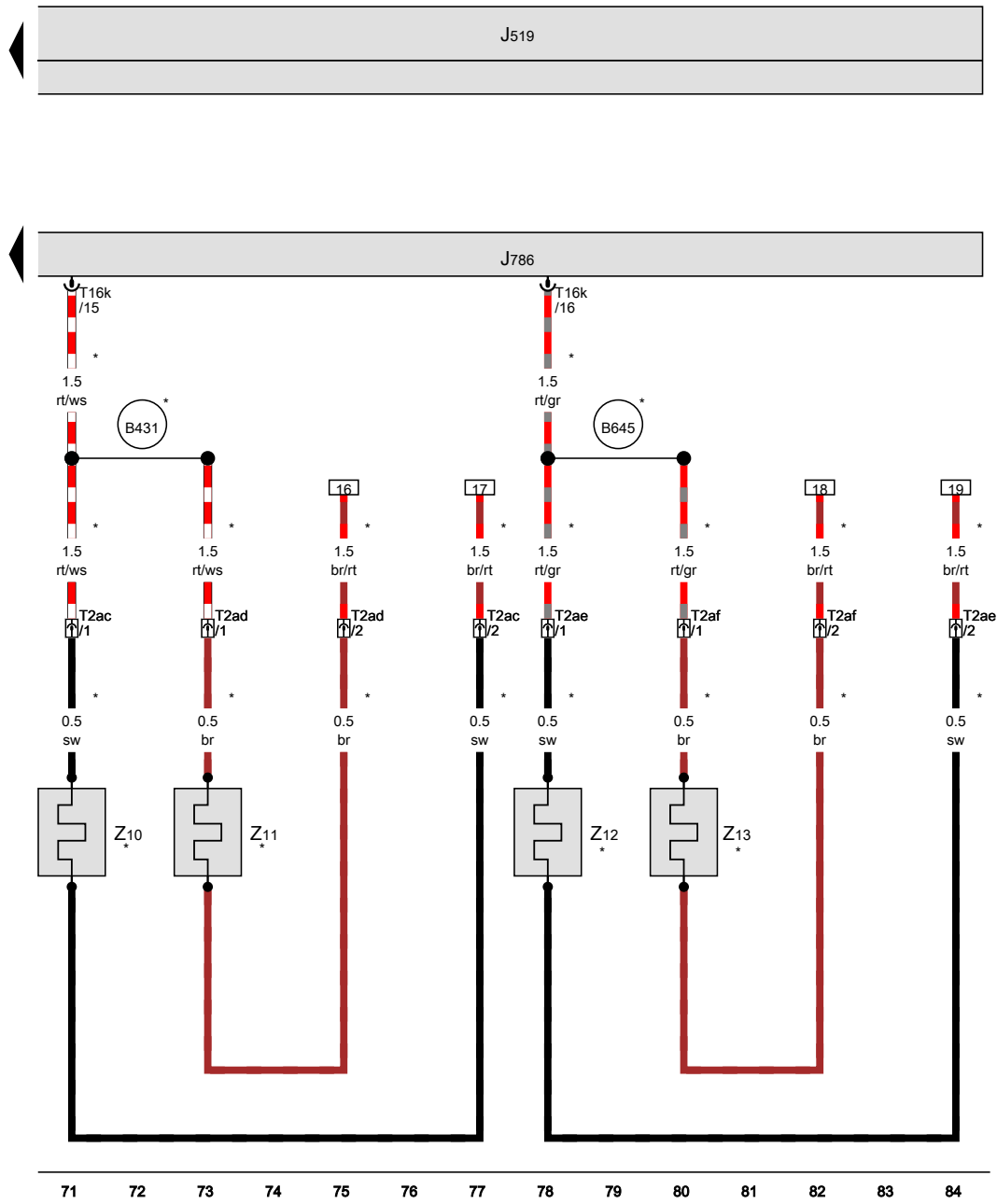
Heated rear seats control unit, Heated bench seat cushion for rear left seat, Heated backrest for rear left seat, Heated bench seat cushion for rear right seat, Heated backrest for rear right seat

- J519 Onboard supply control unit
- J786 Heated rear seats control unit, on left in luggage compartment
- T2ac 2-pin connector, under left rear seat, grey
- T2ad 2-pin connector, under left rear seat, red
- T2ae 2-pin connector, under right rear seat, blue
- T2af 2-pin connector, under right rear seat, red
- T16k 16-pin connector
- Z10 Heated bench seat cushion for rear left seat
- Z11 Heated backrest for rear left seat
- Z12 Heated bench seat cushion for rear right seat
- Z13 Heated backrest for rear right seat

B431 Connection (seat heating), in main wiring harness

B645 Connection 2 (seat heating), in main wiring harness

* Only models with heated rear seats



- ws = white
- sw = black
- ro = red
- rt = red
- br = brown
- gn = green
- bl = blue
- gr = grey
- li = purple
- vi = purple
- ge = yellow
- or = orange
- rs = pink

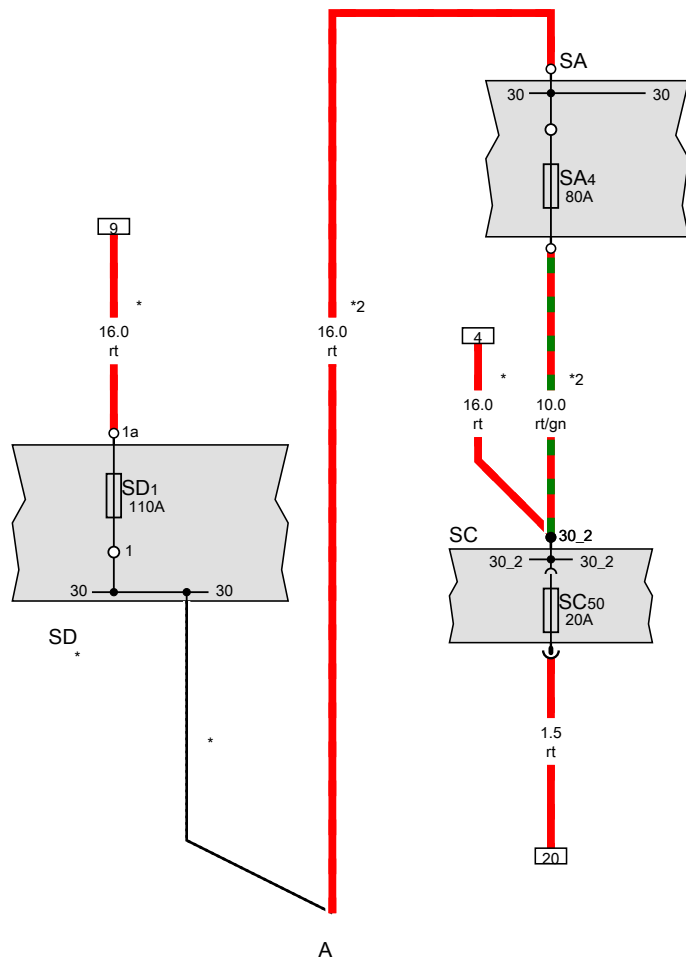
[NH0-162070516]

Preparation for radio , (L0L)

From May 2016

Battery, Fuse holder A, Fuse holder C, Fuse holder D

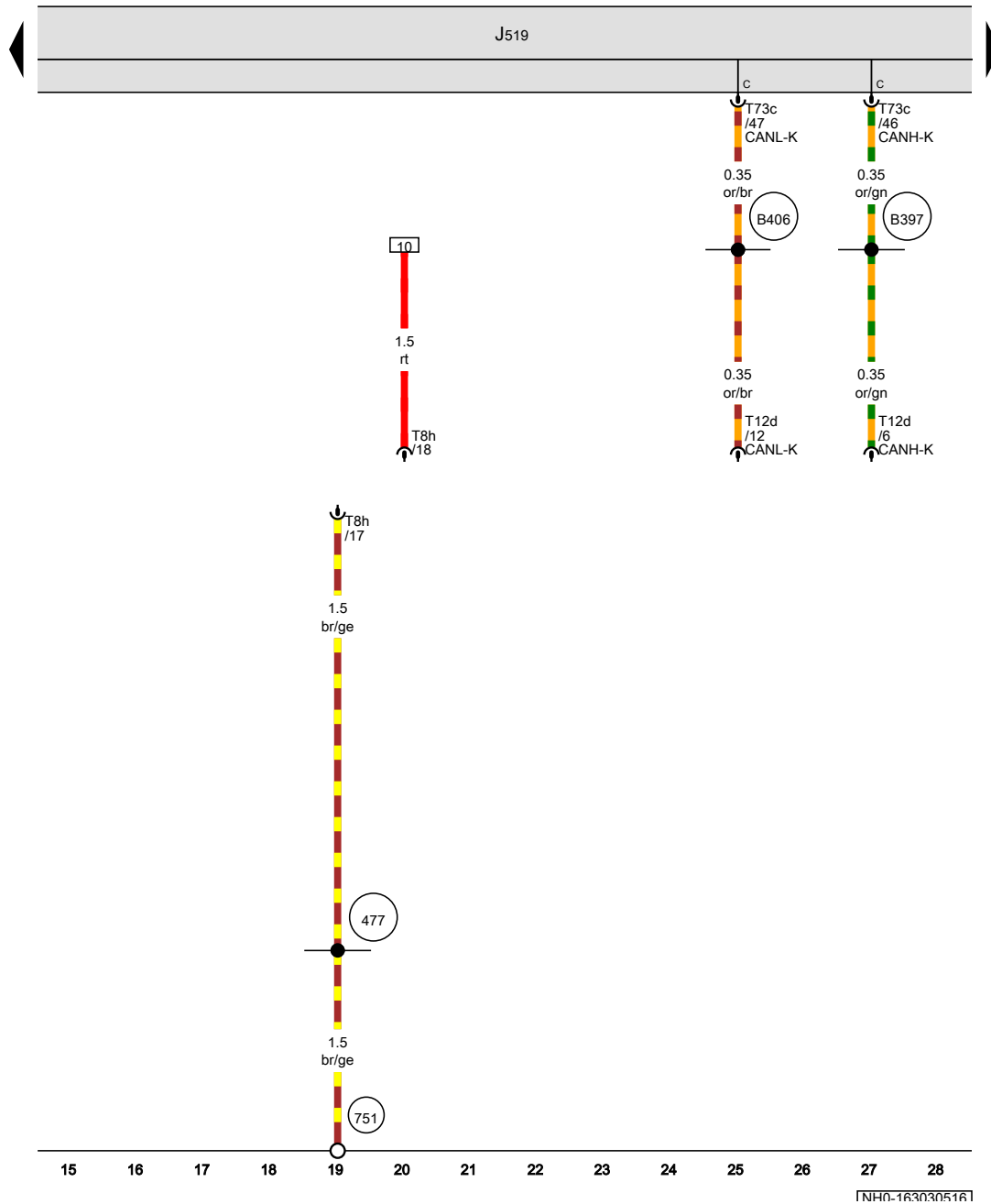
- A Battery
- J519 Onboard supply control unit
- SA Fuse holder A
- SD1 Fuse 1 on fuse holder D
- SA4 Fuse 4 in fuse holder A
- SC Fuse holder C
- SC50 Fuse 50 on fuse holder C
- SD Fuse holder D
- * Only models with battery in luggage compartment
- *2 Only models with battery in engine compartment



- ws = white
- sw = black
- ro = red
- rt = red
- br = brown
- gn = green
- bl = blue
- gr = grey
- li = purple
- vi = purple
- ge = yellow
- or = orange
- rs = pink

1 2 3 4 5 6 7 8 9 10 11 12 13 14

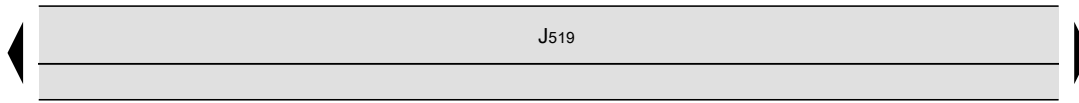
[NH0-163020516]



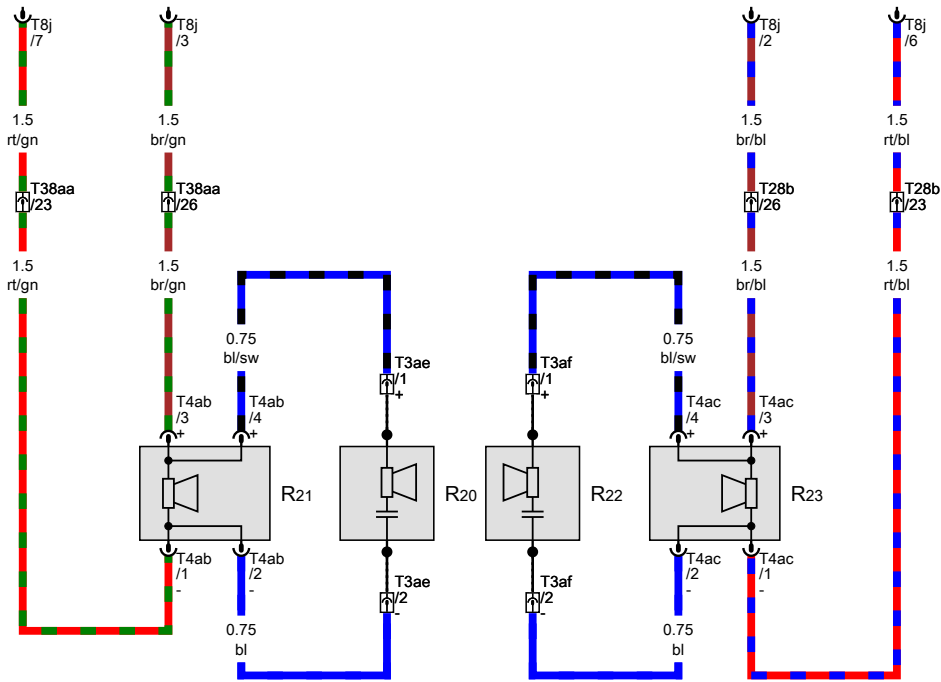
- J519 Onboard supply control unit
- T8h 8-pin connector, black
- T12d 12-pin connector, grey
- T73c 73-pin connector, black

- 477 Earth connection (audio), in main wiring harness
- 751 Earth point 2, on right A-pillar
- B397 Connection 1 (convenience CAN bus, high), in main wiring harness
- B406 Connection 1 (convenience CAN bus, low), in main wiring harness

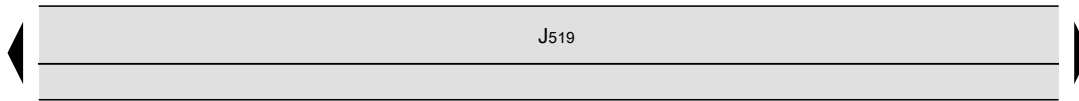
Front left treble loudspeaker, Front left bass loudspeaker,
Front right treble loudspeaker, Front right bass loudspeaker



- J519 Onboard supply control unit
- R20 Front left treble loudspeaker
- R21 Front left bass loudspeaker
- R22 Front right treble loudspeaker
- R23 Front right bass loudspeaker
- T3ae 3-pin connector
- T3af 3-pin connector
- T4ab 4-pin connector
- T4ac 4-pin connector
- T8j 8-pin connector, brown
- T28b 28-pin connector, on right A-pillar
- T38aa 38-pin connector, on left A-pillar

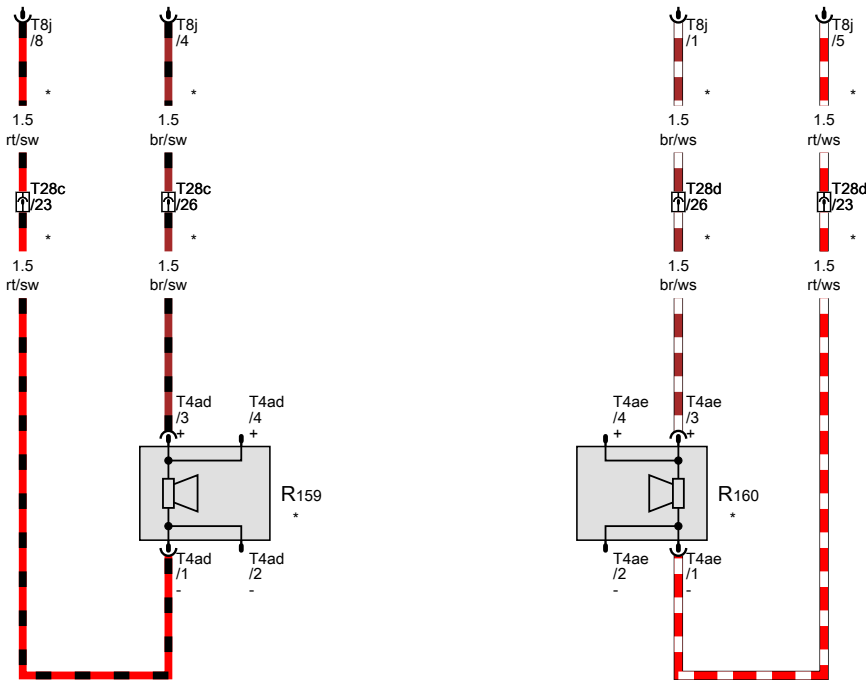


- ws = white
- sw = black
- ro = red
- rt = red
- br = brown
- gn = green
- bl = blue
- gr = grey
- li = purple
- vi = purple
- ge = yellow
- or = orange
- rs = pink



Rear left mid-range and bass loudspeaker, Rear right mid-range and bass loudspeaker

- J519 Onboard supply control unit
- R159 Rear left mid-range and bass loudspeaker
- R160 Rear right mid-range and bass loudspeaker
- T4ad 4-pin connector
- T4ae 4-pin connector
- T8j 8-pin connector, brown
- T28c 28-pin connector, on left B-pillar
- T28d 28-pin connector, on right B-pillar
- * Only models with rear loudspeaker



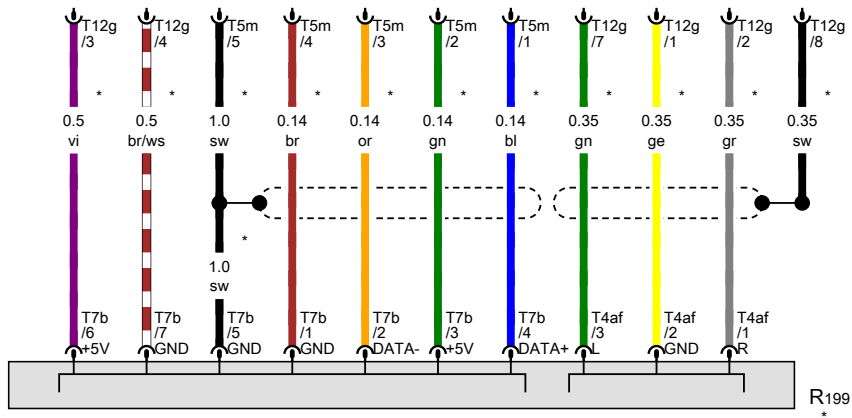
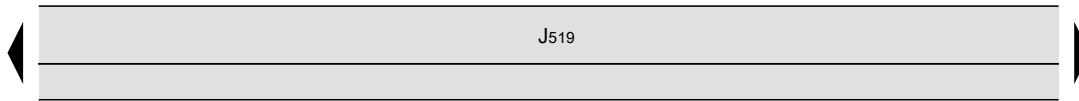
- ws = white
- sw = black
- ro = red
- rt = red
- br = brown
- gn = green
- bl = blue
- gr = grey
- li = purple
- vi = purple
- ge = yellow
- or = orange
- rs = pink

43 44 45 46 47 48 49 50 51 52 53 54 55 56

[NH0-163050516]

Connection for external audio sources

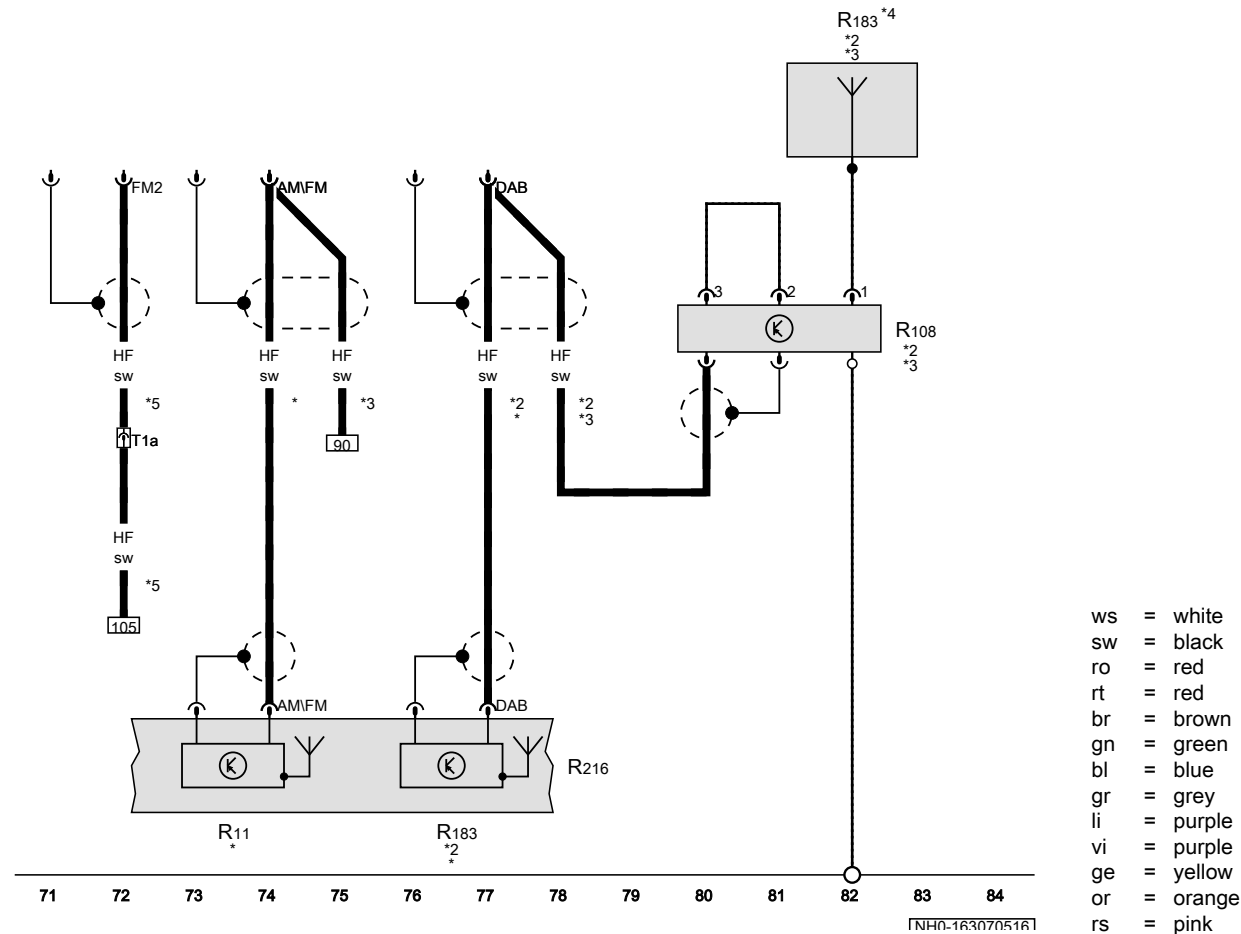
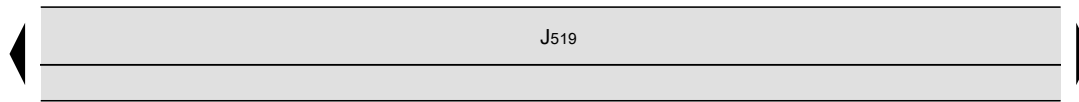
- J519 Onboard supply control unit
- R199 Connection for external audio sources
- T4af 4-pin connector
- T5m 5-pin connector, yellow
- T7b 7-pin connector
- T12g 12-pin connector, green
- * Special equipment



- ws = white
- sw = black
- ro = red
- rt = red
- br = brown
- gn = green
- bl = blue
- gr = grey
- li = purple
- vi = purple
- ge = yellow
- or = orange
- rs = pink

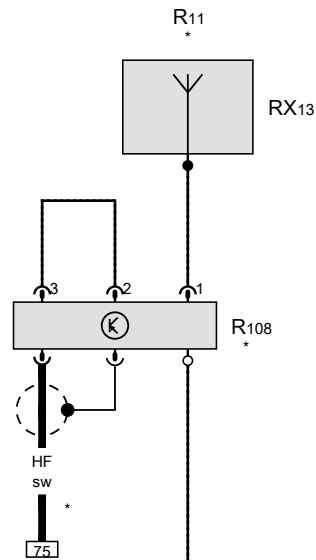
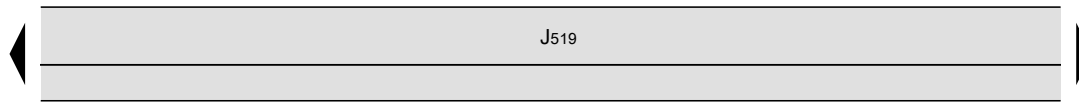
Left aerial module, Digital radio aerial, Roof aerial

- J519 Onboard supply control unit
- R11 Aerial
- R108 Left aerial module
- R183 Digital radio aerial
- R216 Roof aerial
- T1a Single connector, on right in luggage compartment
- * Only models with no glass roof
- *2 Special equipment
- *3 Only models with glass roof
- *4 Left side window aerial
- *5 Only models with rear window aerial



Aerial, Left aerial module

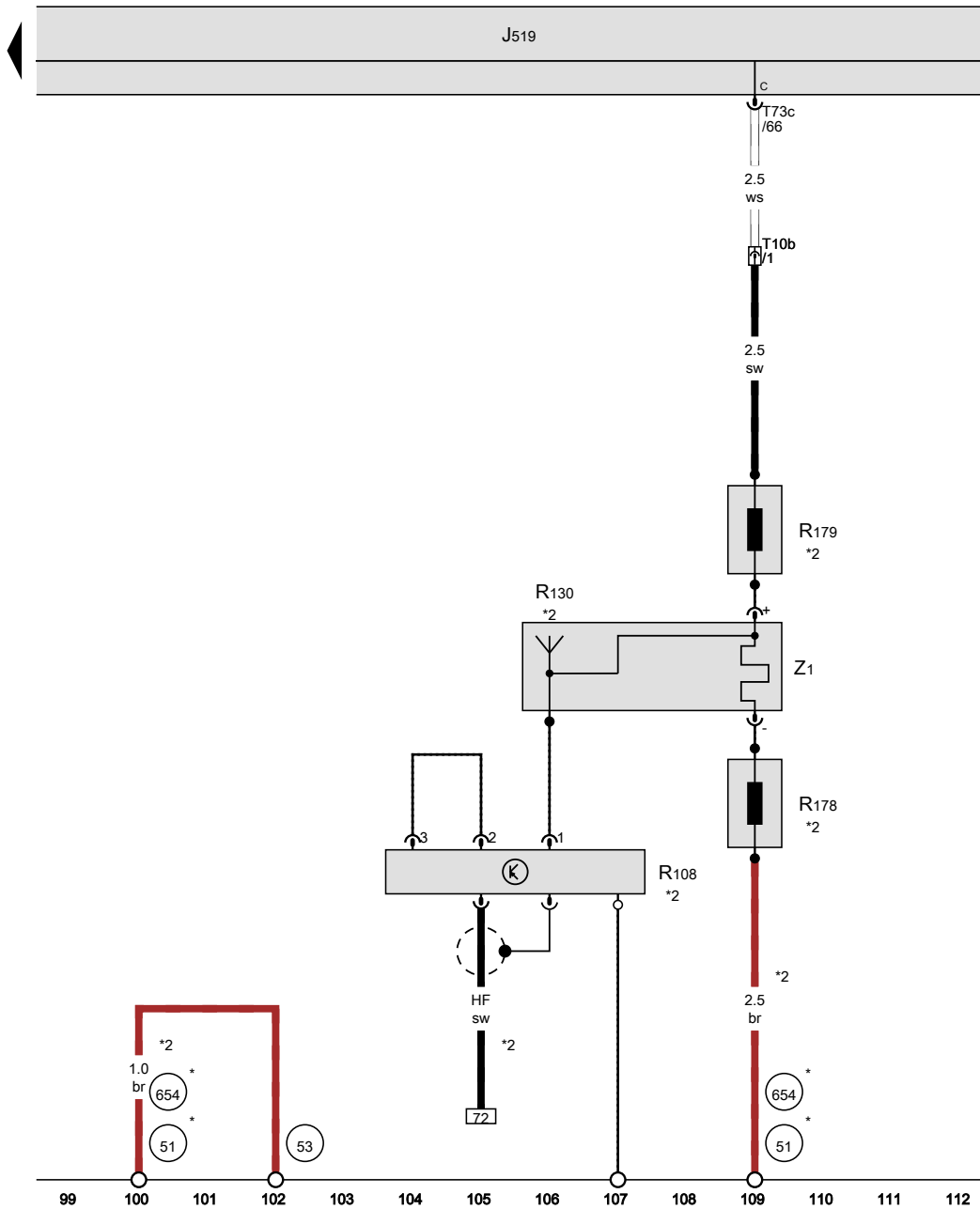
- J519 Onboard supply control unit
- R11 Aerial
- RX13 Glass roof
- R108 Left aerial module, under roof trim
- * Only models with glass roof



85 86 87 88 89 90 91 92 93 94 95 96 97 98

[NH0-163080516]

- ws = white
- sw = black
- ro = red
- rt = red
- br = brown
- gn = green
- bl = blue
- gr = grey
- li = purple
- vi = purple
- ge = yellow
- or = orange
- rs = pink



Left aerial module, Rear window aerial 1, Frequency modulation (FM) frequency filter in negative wire, Frequency modulation (FM) frequency filter in positive wire, Heated rear window

- J519 Onboard supply control unit
- R108 Left aerial module
- R130 Rear window aerial 1
- R178 Frequency modulation (FM) frequency filter in negative wire
- R179 Frequency modulation (FM) frequency filter in positive wire
- T10b 10-pin connector
- T73c 73-pin connector, black
- Z1 Heated rear window

- 51 Earth point, on right in luggage compartment
- 53 Earth point, on right in rear lid
- 654 Earth point, on right D-pillar

* see fitting locations
 *2 Only models with rear window aerial

- ws = white
- sw = black
- ro = red
- rt = red
- br = brown
- gn = green
- bl = blue
- gr = grey
- li = purple
- vi = purple
- ge = yellow
- or = orange
- rs = pink

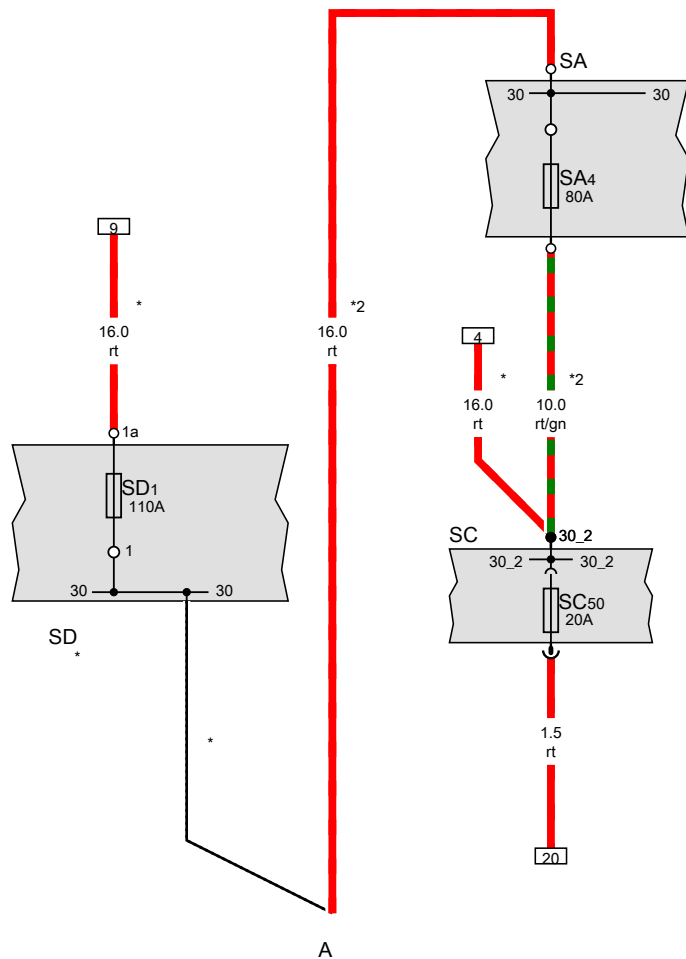
[NH-163090516]

Preparation for radio , (L0R)

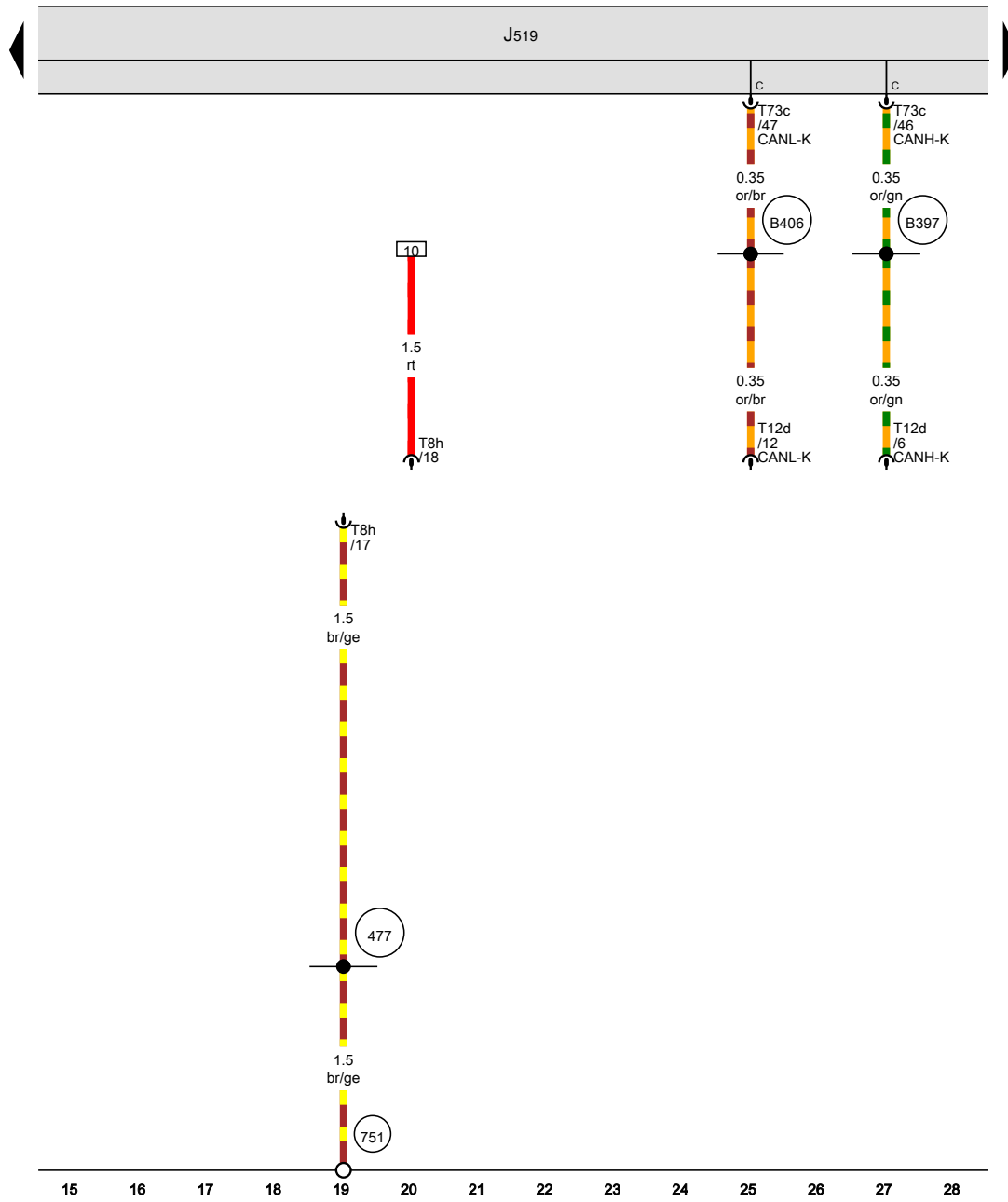
From May 2016

Battery, Fuse holder A, Fuse holder C, Fuse holder D

- A Battery
- J519 Onboard supply control unit
- SA Fuse holder A
- SD1 Fuse 1 on fuse holder D
- SA4 Fuse 4 in fuse holder A
- SC Fuse holder C
- SC50 Fuse 50 on fuse holder C
- SD Fuse holder D
- * Only models with battery in luggage compartment
- *2 Only models with battery in engine compartment



- ws = white
- sw = black
- ro = red
- rt = red
- br = brown
- gn = green
- bl = blue
- gr = grey
- li = purple
- vi = purple
- ge = yellow
- or = orange
- rs = pink



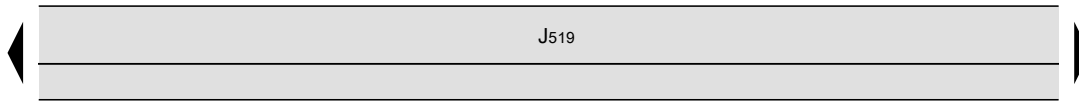
- J519 Onboard supply control unit
- T8h 8-pin connector, black
- T12d 12-pin connector, grey
- T73c 73-pin connector, black

- 477 Earth connection (audio), in main wiring harness
- 751 Earth point 2, on right A-pillar
- B397 Connection 1 (convenience CAN bus, high), in main wiring harness
- B406 Connection 1 (convenience CAN bus, low), in main wiring harness

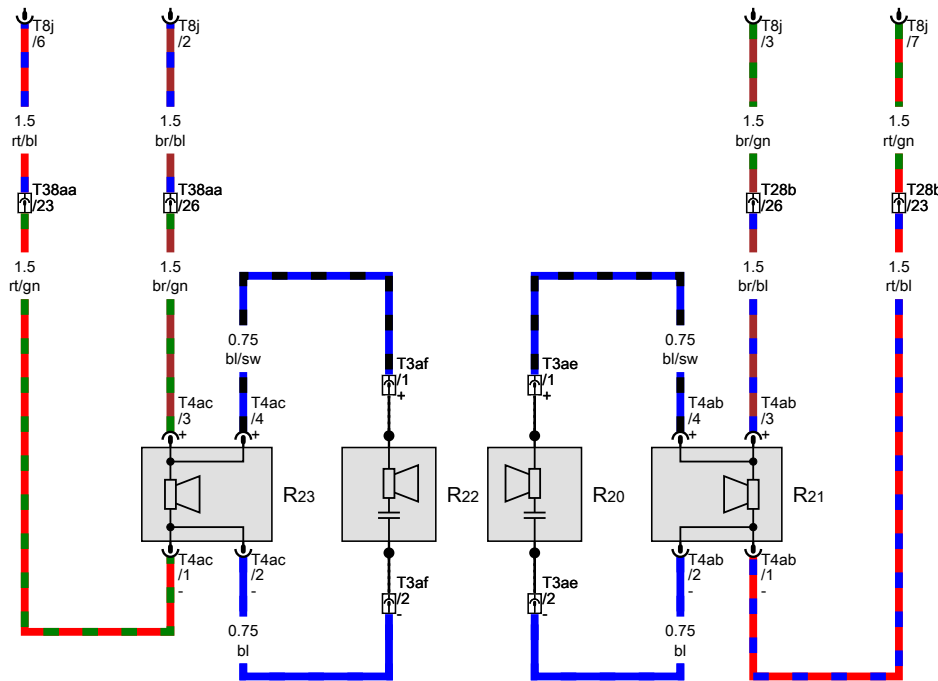
- ws = white
- sw = black
- ro = red
- rt = red
- br = brown
- gn = green
- bl = blue
- gr = grey
- li = purple
- vi = purple
- ge = yellow
- or = orange
- rs = pink

[NH0-164030516]

Front left treble loudspeaker, Front left bass loudspeaker,
Front right treble loudspeaker, Front right bass loudspeaker



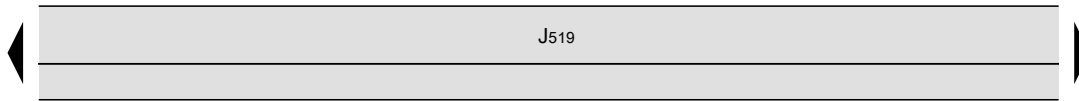
- J519 Onboard supply control unit
- R20 Front left treble loudspeaker
- R21 Front left bass loudspeaker
- R22 Front right treble loudspeaker
- R23 Front right bass loudspeaker
- T3ae 3-pin connector
- T3af 3-pin connector
- T4ab 4-pin connector
- T4ac 4-pin connector
- T8j 8-pin connector, brown
- T28b 28-pin connector, on left A-pillar
- T38aa 38-pin connector, on right A-pillar



- ws = white
- sw = black
- ro = red
- rt = red
- br = brown
- gn = green
- bl = blue
- gr = grey
- li = purple
- vi = purple
- ge = yellow
- or = orange
- rs = pink

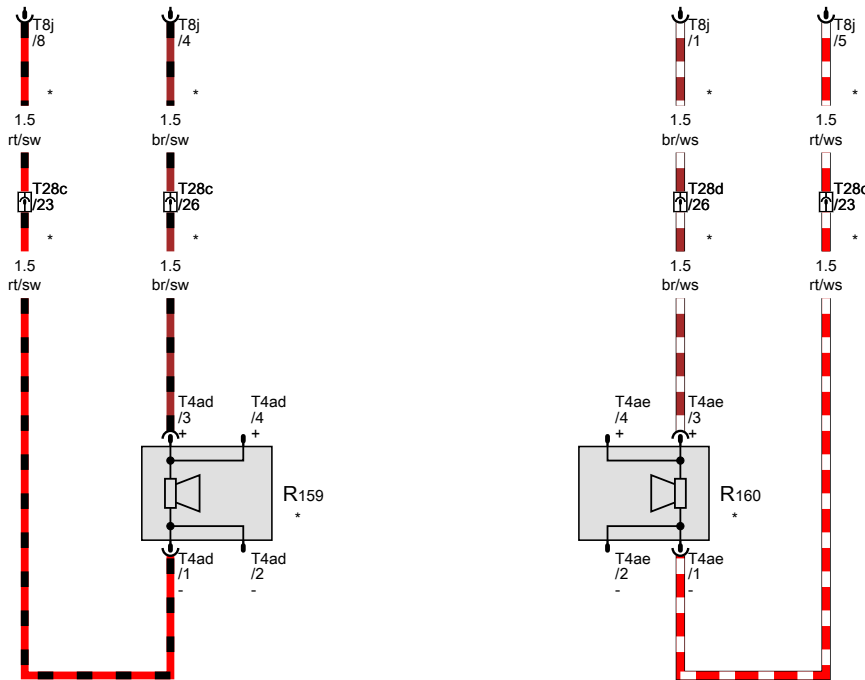
29 30 31 32 33 34 35 36 37 38 39 40 41 42

[NH-164040516]



Rear left mid-range and bass loudspeaker, Rear right mid-range and bass loudspeaker

- J519 Onboard supply control unit
- R159 Rear left mid-range and bass loudspeaker
- R160 Rear right mid-range and bass loudspeaker
- T4ad 4-pin connector
- T4ae 4-pin connector
- T8j 8-pin connector, brown
- T28c 28-pin connector, on left B-pillar
- T28d 28-pin connector, on right B-pillar
- * Only models with rear loudspeaker



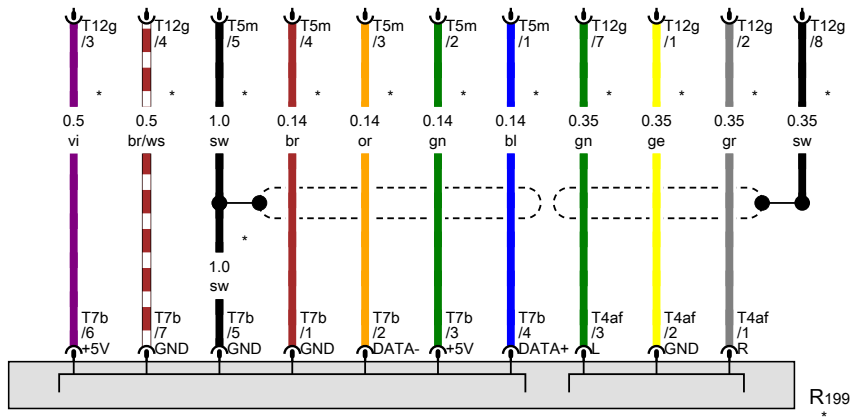
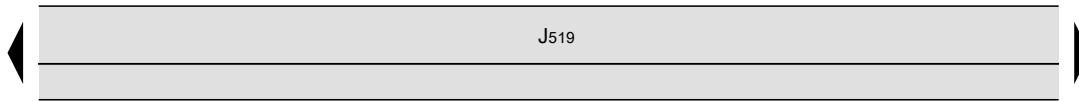
- ws = white
- sw = black
- ro = red
- rt = red
- br = brown
- gn = green
- bl = blue
- gr = grey
- li = purple
- vi = purple
- ge = yellow
- or = orange
- rs = pink

43 44 45 46 47 48 49 50 51 52 53 54 55 56

[NH0-164050516]

Connection for external audio sources

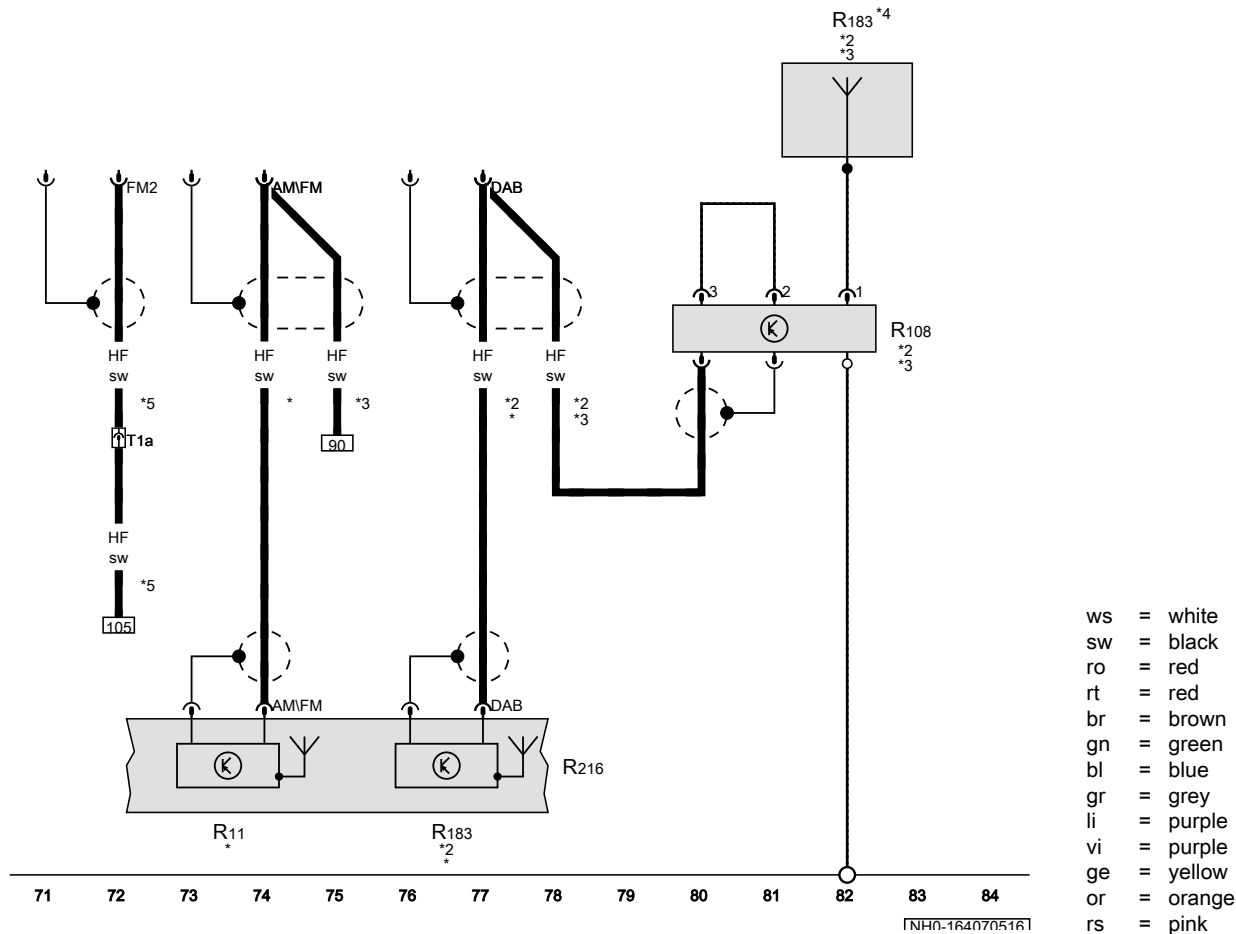
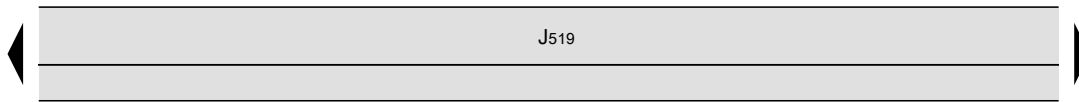
- J519 Onboard supply control unit
- R199 Connection for external audio sources
- T4af 4-pin connector
- T5m 5-pin connector, yellow
- T7b 7-pin connector
- T12g 12-pin connector, green
- * Special equipment



- ws = white
- sw = black
- ro = red
- rt = red
- br = brown
- gn = green
- bl = blue
- gr = grey
- li = purple
- vi = purple
- ge = yellow
- or = orange
- rs = pink

Left aerial module, Digital radio aerial, Roof aerial

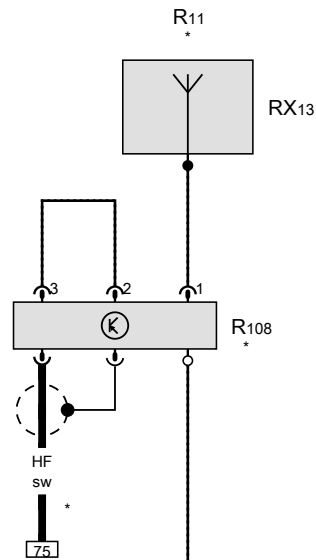
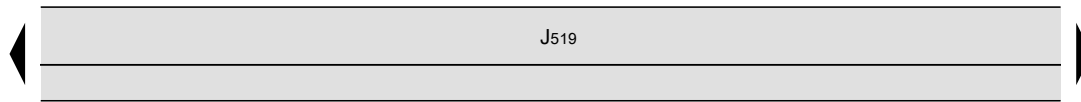
- J519 Onboard supply control unit
- R11 Aerial
- R108 Left aerial module
- R183 Digital radio aerial
- R216 Roof aerial
- T1a Single connector, on right in luggage compartment
- * Only models with no glass roof
- *2 Special equipment
- *3 Only models with glass roof
- *4 Left side window aerial
- *5 Only models with rear window aerial



[NH0-164070516]

Aerial, Left aerial module

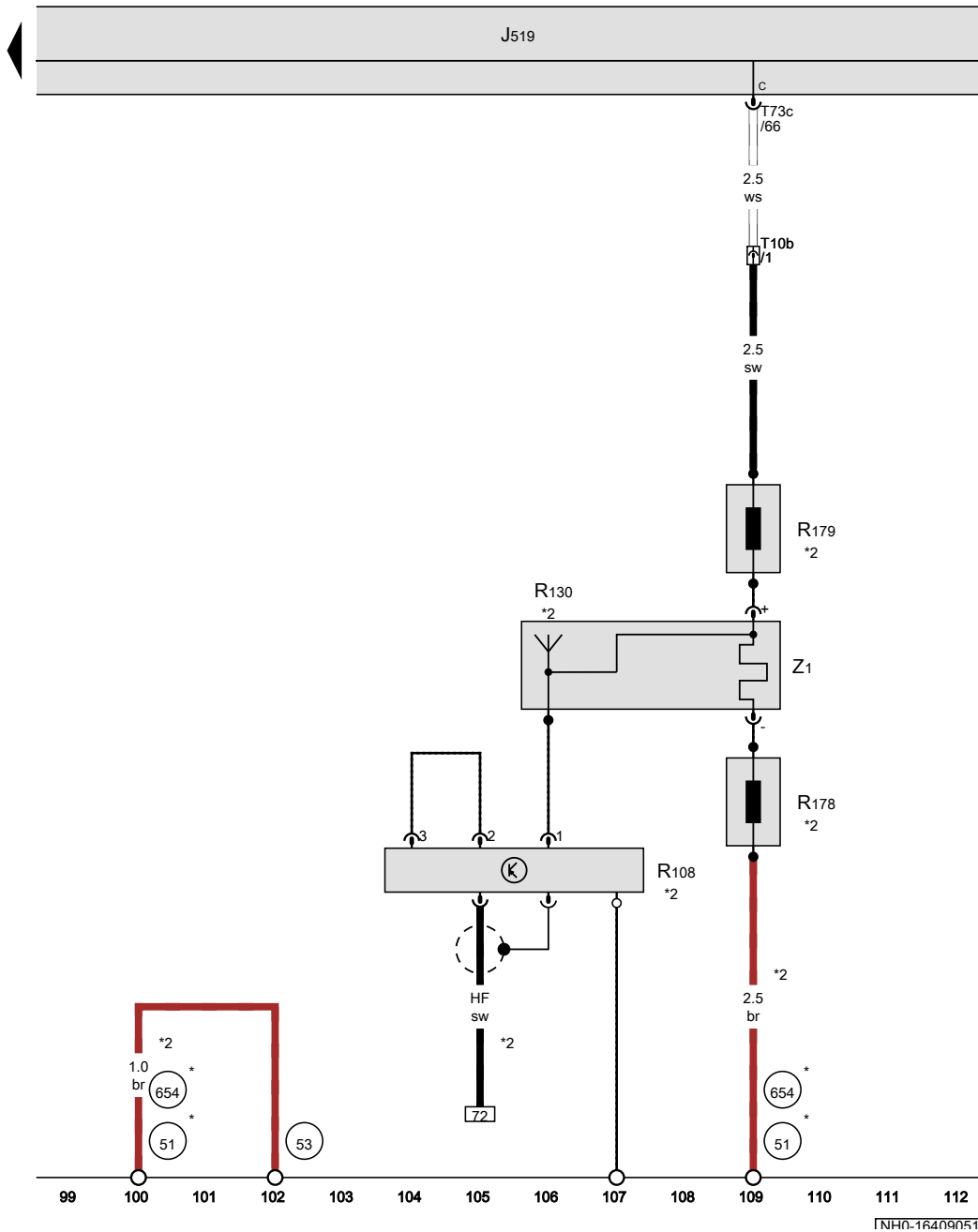
- J519 Onboard supply control unit
- R11 Aerial
- RX13 Glass roof
- R108 Left aerial module, under roof trim
- * Only models with glass roof



85 86 87 88 89 90 91 92 93 94 95 96 97 98

[NH0-164080516]

- ws = white
- sw = black
- ro = red
- rt = red
- br = brown
- gn = green
- bl = blue
- gr = grey
- li = purple
- vi = purple
- ge = yellow
- or = orange
- rs = pink



Left aerial module, Rear window aerial 1, Frequency modulation (FM) frequency filter in negative wire, Frequency modulation (FM) frequency filter in positive wire, Heated rear window

- J519 Onboard supply control unit
- R108 Left aerial module
- R130 Rear window aerial 1
- R178 Frequency modulation (FM) frequency filter in negative wire
- R179 Frequency modulation (FM) frequency filter in positive wire
- T10b 10-pin connector
- T73c 73-pin connector, black
- Z1 Heated rear window

- 51 Earth point, on right in luggage compartment
- 53 Earth point, on right in rear lid
- 654 Earth point, on right D-pillar

* see fitting locations
 *2 Only models with rear window aerial

- ws = white
- sw = black
- ro = red
- rt = red
- br = brown
- gn = green
- bl = blue
- gr = grey
- li = purple
- vi = purple
- ge = yellow
- or = orange
- rs = pink

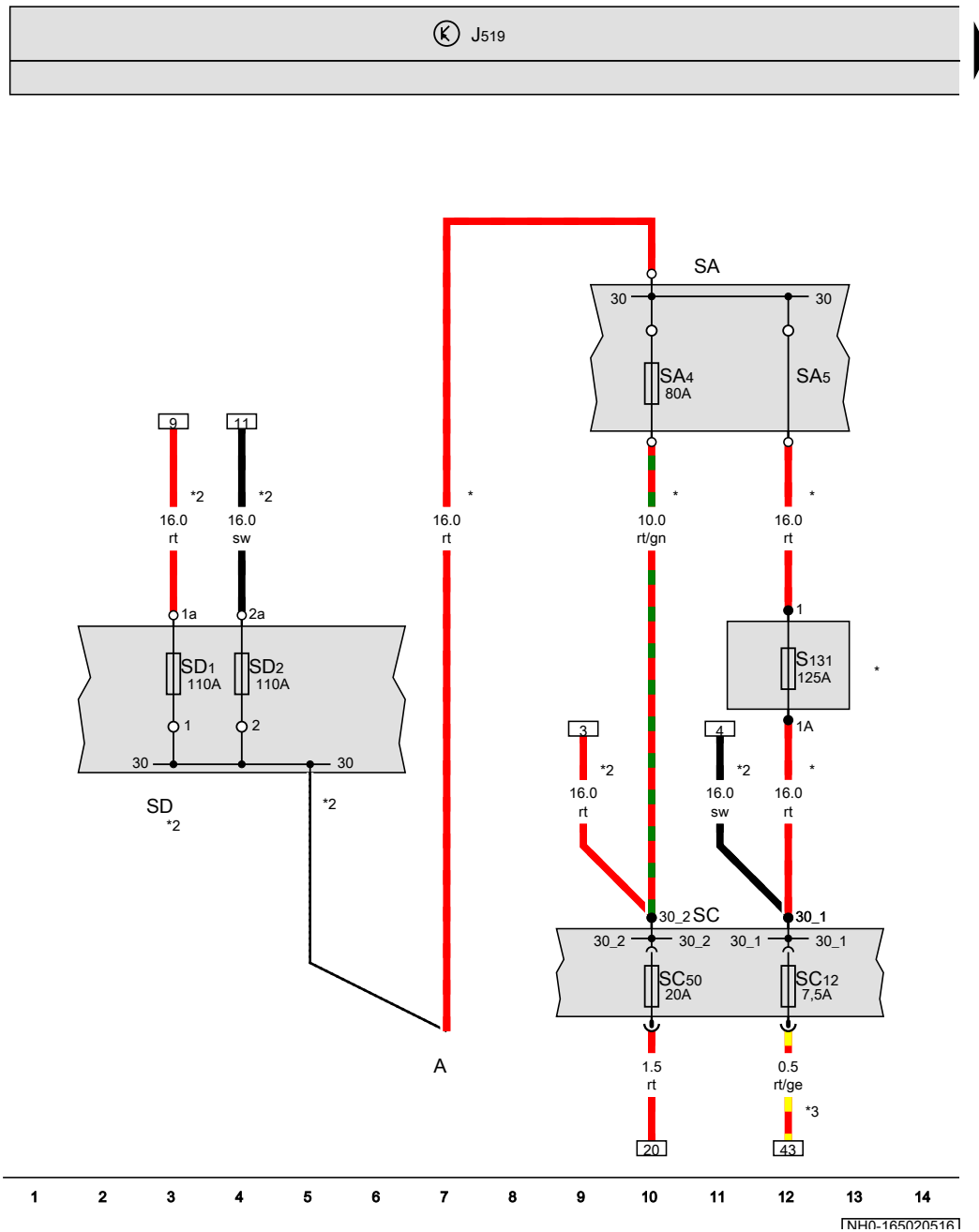
1NH0-1640905161

Radio system , (L0L)

From May 2016

Battery, Fuse holder A, Fuse holder C, Fuse holder D

- A Battery
- J519 Onboard supply control unit
- SA Fuse holder A
- SC Fuse holder C
- SD1 Fuse 1 on fuse holder D
- SD2 Fuse 2 on fuse holder D
- SA4 Fuse 4 in fuse holder A
- SA5 Fuse 5 in fuse holder A
- SC12 Fuse 12 on fuse holder C
- SC50 Fuse 50 on fuse holder C
- S131 Fuse 1, in main wiring harness
- SD Fuse holder D
- * Only models with battery in engine compartment
- *2 Only models with battery in luggage compartment
- *3 According to equipment



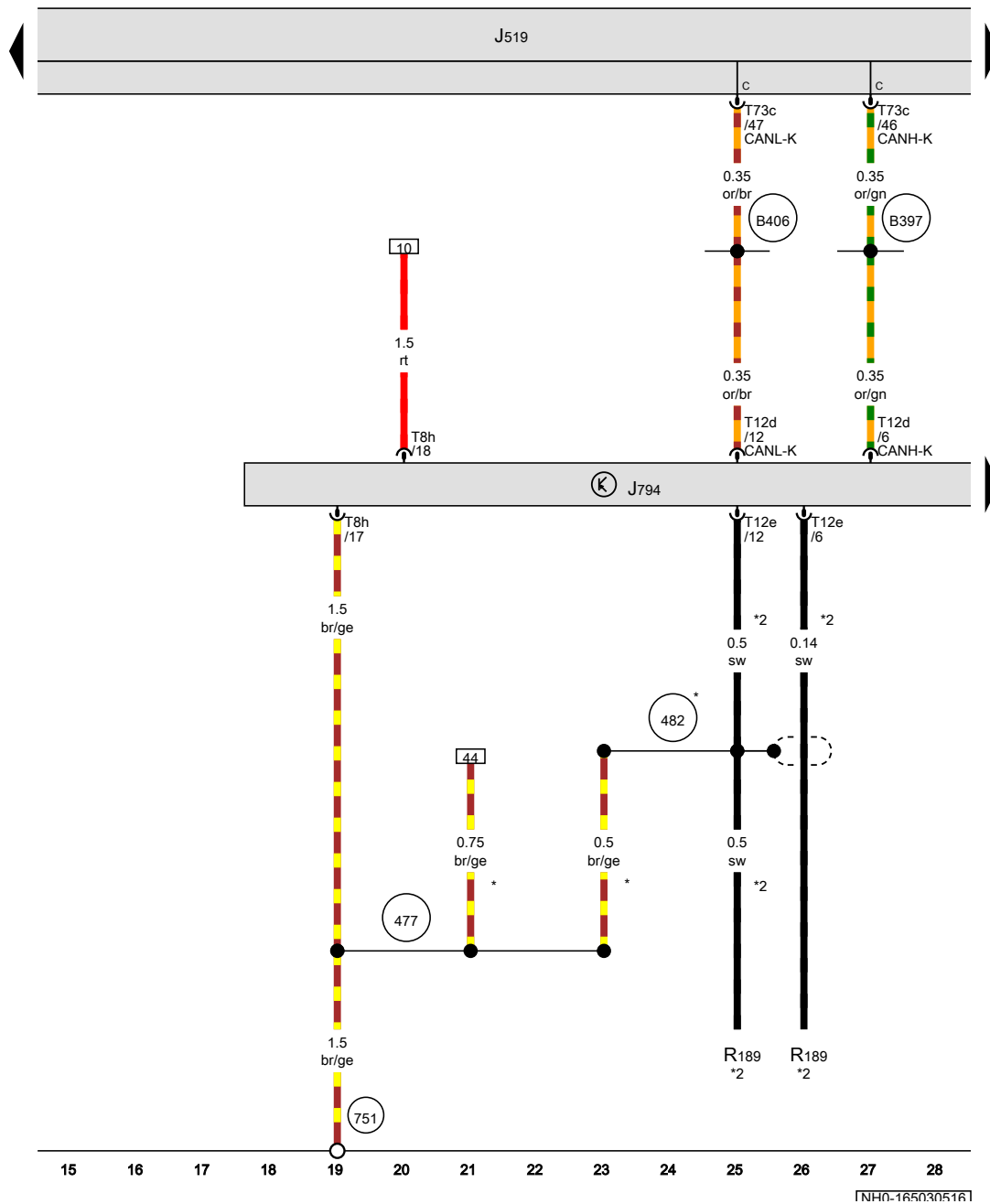
[NH0-165020516]

Control unit 1 for information electronics

- J519 Onboard supply control unit
- J794 Control unit 1 for information electronics
- R189 Reversing camera
- T8h 8-pin connector, black
- T12d 12-pin connector, grey
- T12e 12-pin connector, blue
- T73c 73-pin connector, black

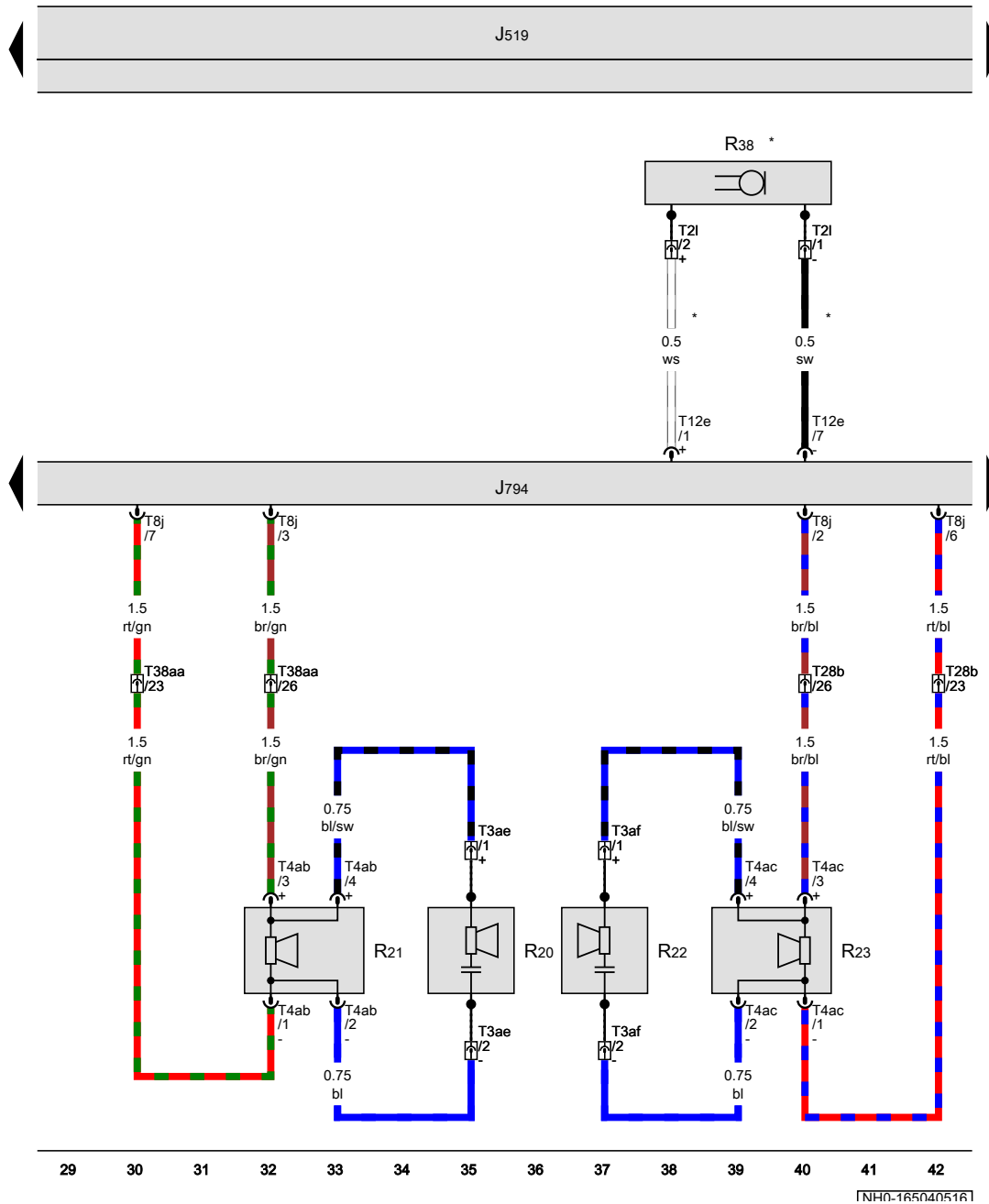
- 477 Earth connection (audio), in main wiring harness
- 482 Earth connection 2 (audio), in main wiring harness
- 751 Earth point 2, on right A-pillar
- B397 Connection 1 (convenience CAN bus, high), in main wiring harness
- B406 Connection 1 (convenience CAN bus, low), in main wiring harness
- * According to equipment
- *2 Only models with reversing camera system

- ws = white
- sw = black
- ro = red
- rt = red
- br = brown
- gn = green
- bl = blue
- gr = grey
- li = purple
- vi = purple
- ge = yellow
- or = orange
- rs = pink



Control unit 1 for information electronics, Front left treble loudspeaker, Front left bass loudspeaker, Front right treble loudspeaker, Front right bass loudspeaker, Telephone microphone

- J519 Onboard supply control unit
- J794 Control unit 1 for information electronics
- R20 Front left treble loudspeaker
- R21 Front left bass loudspeaker
- R22 Front right treble loudspeaker
- R23 Front right bass loudspeaker
- R38 Telephone microphone
- T2l 2-pin connector
- T3ae 3-pin connector
- T3af 3-pin connector
- T4ab 4-pin connector
- T4ac 4-pin connector
- T8j 8-pin connector, brown
- T12e 12-pin connector, blue
- T28b 28-pin connector, on right A-pillar
- T38aa 38-pin connector, on left A-pillar
- * Special equipment

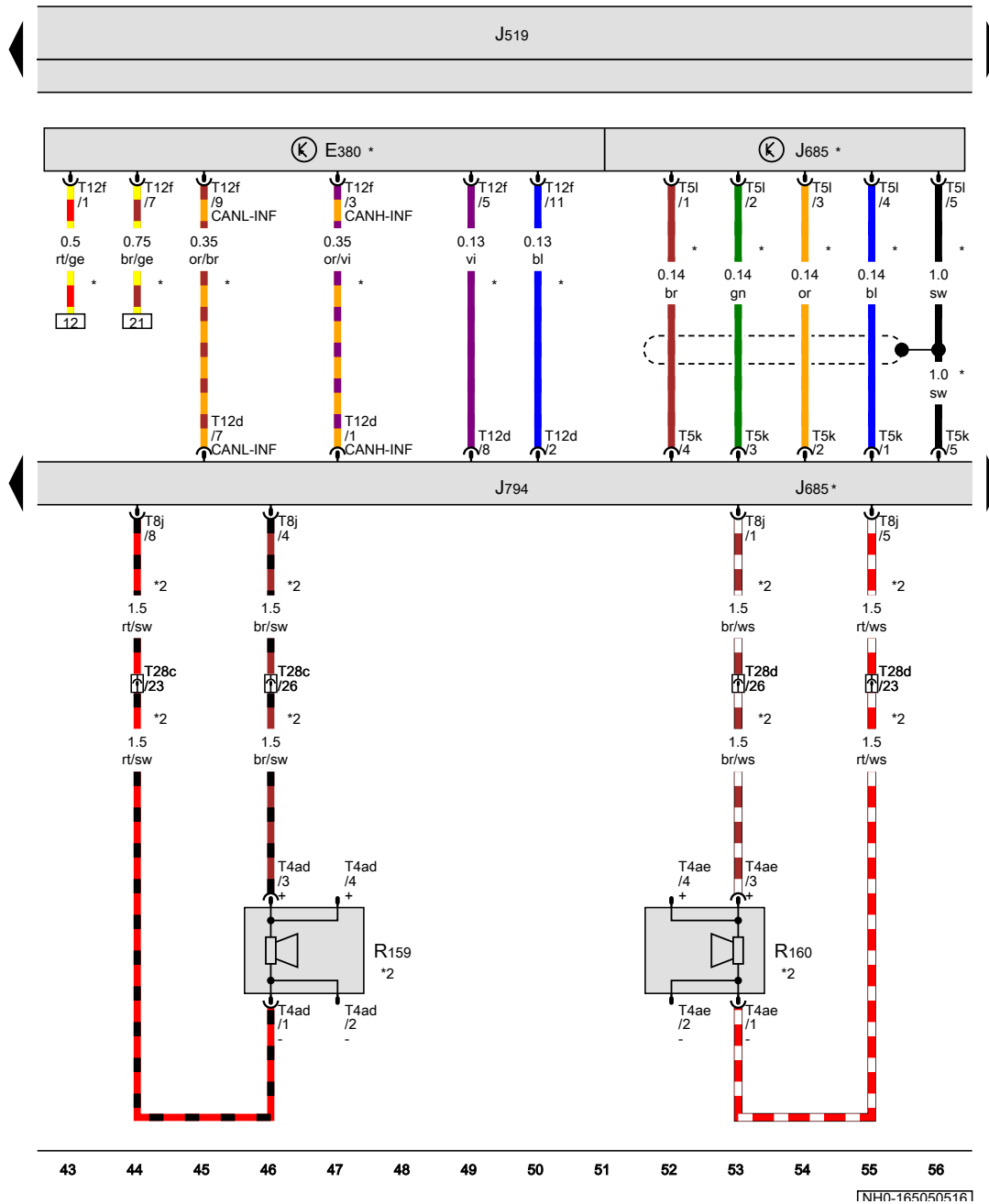


- ws = white
- sw = black
- ro = red
- rt = red
- br = brown
- gn = green
- bl = blue
- gr = grey
- li = purple
- vi = purple
- ge = yellow
- or = orange
- rs = pink

[NH0-165040516]

Multimedia system operating unit, Display unit for front information display and operating unit control unit, Control unit 1 for information electronics, Rear left mid-range and bass loudspeaker, Rear right mid-range and bass loudspeaker

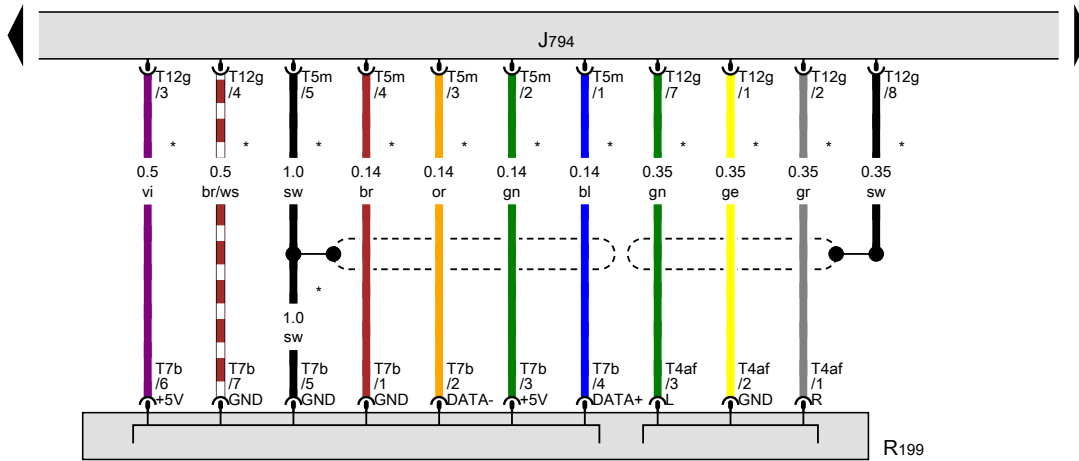
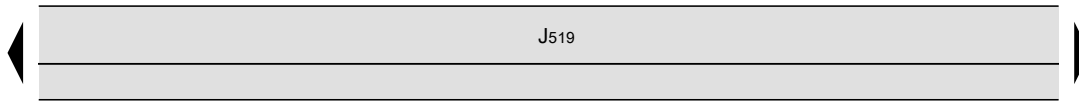
- E380 Multimedia system operating unit
- J519 Onboard supply control unit
- J685 Display unit for front information display and operating unit control unit
- J794 Control unit 1 for information electronics
- R159 Rear left mid-range and bass loudspeaker
- R160 Rear right mid-range and bass loudspeaker
- T4ad 4-pin connector
- T4ae 4-pin connector
- T5k 5-pin connector, pink
- T5l 5-pin connector, blue
- T8j 8-pin connector, brown
- T12d 12-pin connector, grey
- T12f 12-pin connector, black
- T28c 28-pin connector, on left B-pillar
- T28d 28-pin connector, on right B-pillar
- * According to equipment
- *2 Only models with rear loudspeaker



- ws = white
- sw = black
- ro = red
- rt = red
- br = brown
- gn = green
- bl = blue
- gr = grey
- li = purple
- vi = purple
- ge = yellow
- or = orange
- rs = pink

Control unit 1 for information electronics, Connection for external audio sources

- J519 Onboard supply control unit
- J794 Control unit 1 for information electronics
- R199 Connection for external audio sources
- T4af 4-pin connector
- T5m 5-pin connector, yellow
- T7b 7-pin connector
- T12g 12-pin connector, green
- * Special equipment



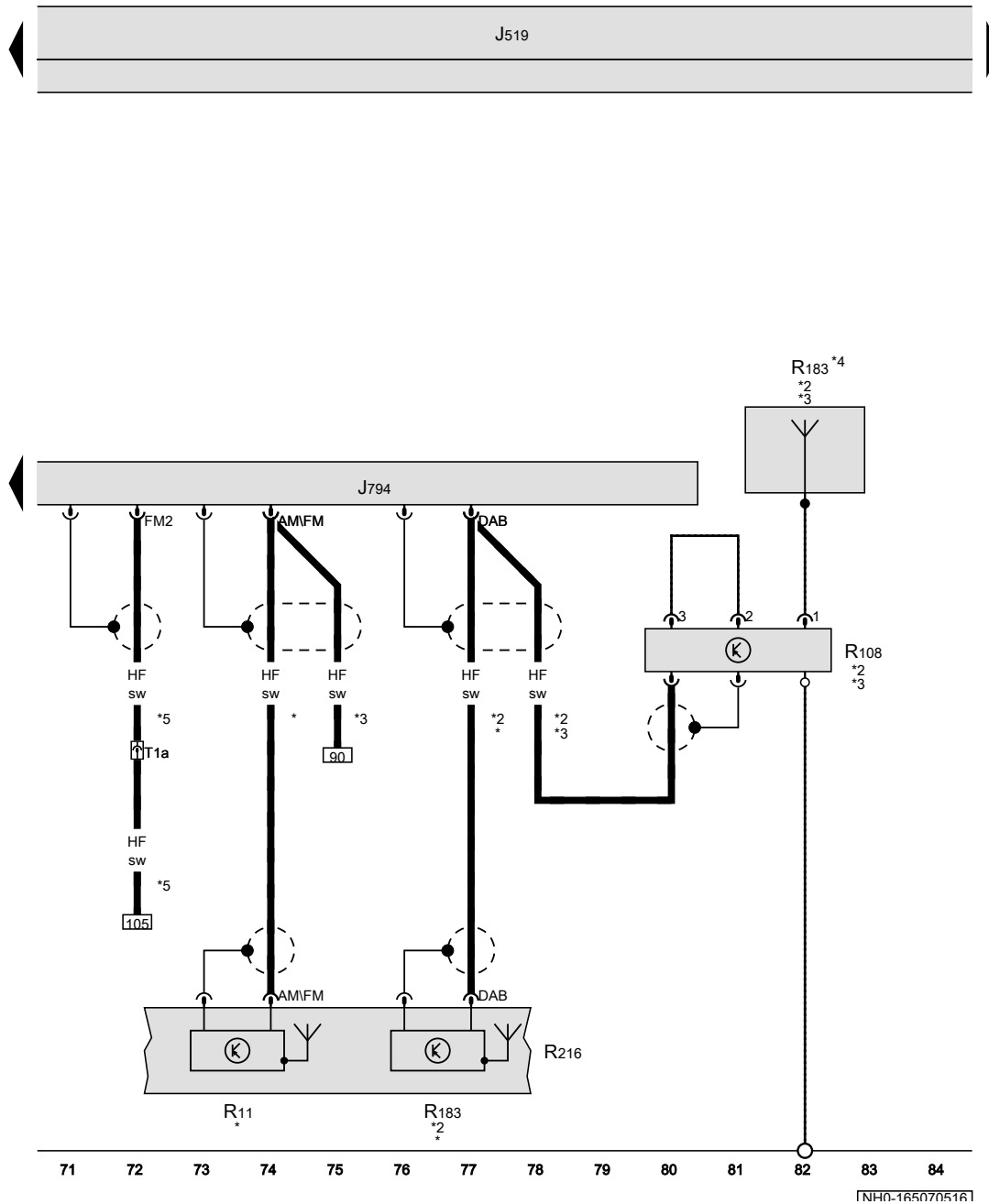
- ws = white
- sw = black
- ro = red
- rt = red
- br = brown
- gn = green
- bl = blue
- gr = grey
- li = purple
- vi = purple
- ge = yellow
- or = orange
- rs = pink

57 58 59 60 61 62 63 64 65 66 67 68 69 70

[NH0-165060516]

Control unit 1 for information electronics, Left aerial module, Digital radio aerial, Roof aerial

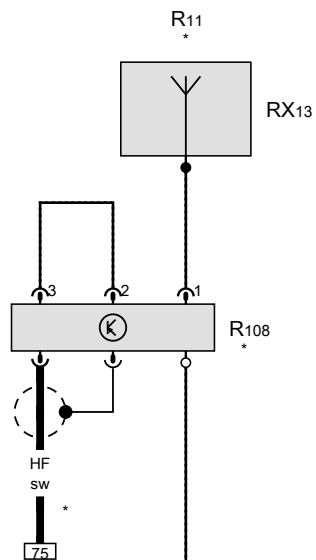
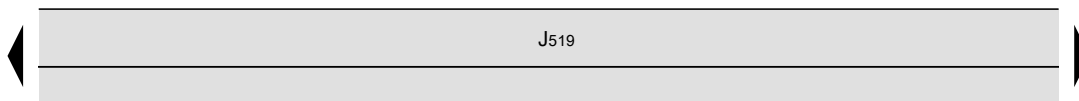
- J519 Onboard supply control unit
- J794 Control unit 1 for information electronics
- R11 Aerial
- R108 Left aerial module
- R183 Digital radio aerial
- R216 Roof aerial
- T1a Single connector, on right in luggage compartment
- * Only models with no glass roof
- *2 Special equipment
- *3 Only models with glass roof
- *4 Left side window aerial
- *5 Only models with rear window aerial



[NH0-165070516]

Aerial, Left aerial module

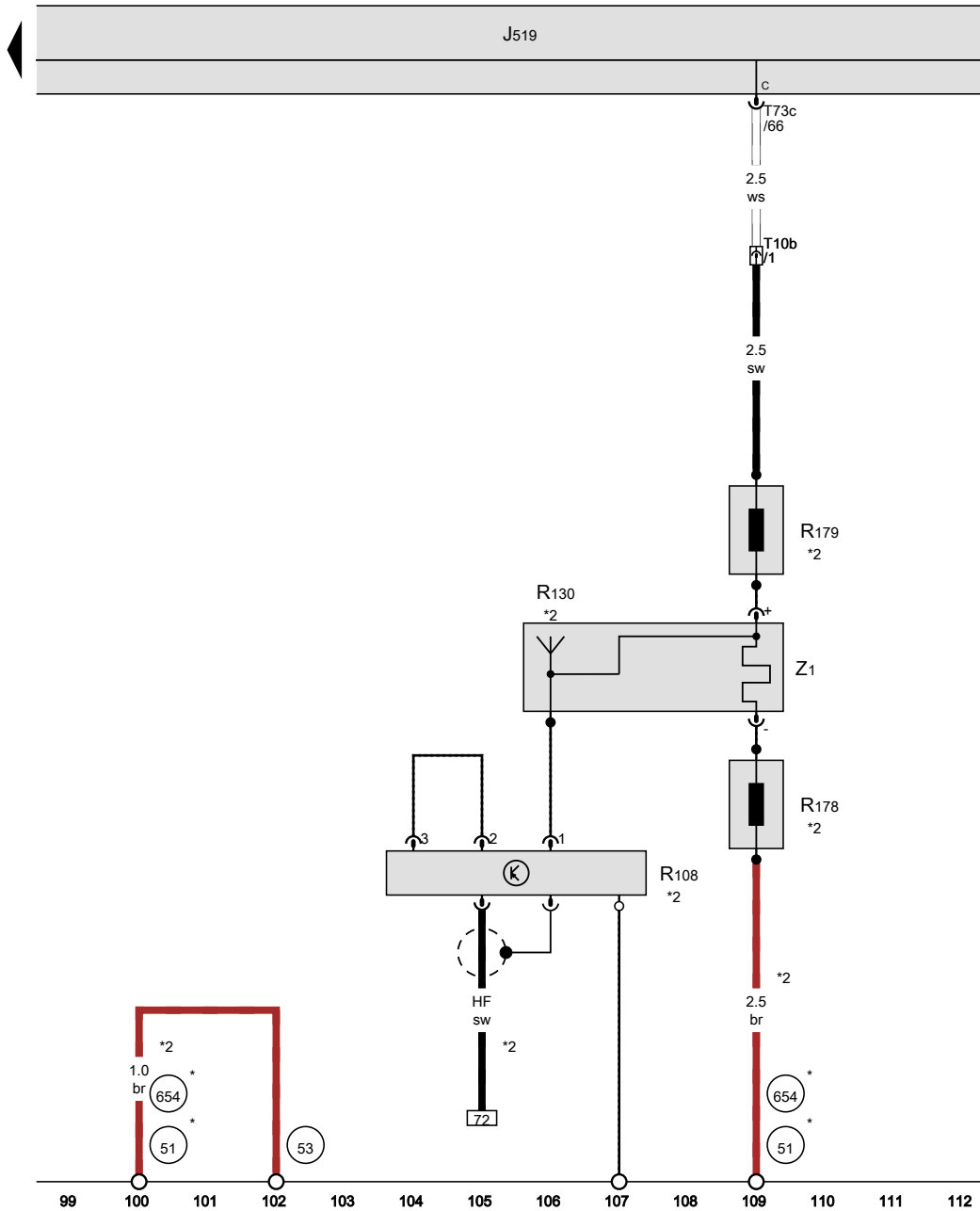
- J519 Onboard supply control unit
- R11 Aerial
- RX13 Glass roof
- R108 Left aerial module, under roof trim
- * Only models with glass roof



85 86 87 88 89 90 91 92 93 94 95 96 97 98

[NH0-165080516]

- ws = white
- sw = black
- ro = red
- rt = red
- br = brown
- gn = green
- bl = blue
- gr = grey
- li = purple
- vi = purple
- ge = yellow
- or = orange
- rs = pink



Left aerial module, Rear window aerial 1, Frequency modulation (FM) frequency filter in negative wire, Frequency modulation (FM) frequency filter in positive wire, Heated rear window

- J519 Onboard supply control unit
- R108 Left aerial module
- R130 Rear window aerial 1
- R178 Frequency modulation (FM) frequency filter in negative wire
- R179 Frequency modulation (FM) frequency filter in positive wire
- T10b 10-pin connector
- T73c 73-pin connector, black
- Z1 Heated rear window

- 51 Earth point, on right in luggage compartment
- 53 Earth point, on right in rear lid
- 654 Earth point, on right D-pillar

* see fitting locations
 *2 Only models with rear window aerial

- ws = white
- sw = black
- ro = red
- rt = red
- br = brown
- gn = green
- bl = blue
- gr = grey
- li = purple
- vi = purple
- ge = yellow
- or = orange
- rs = pink

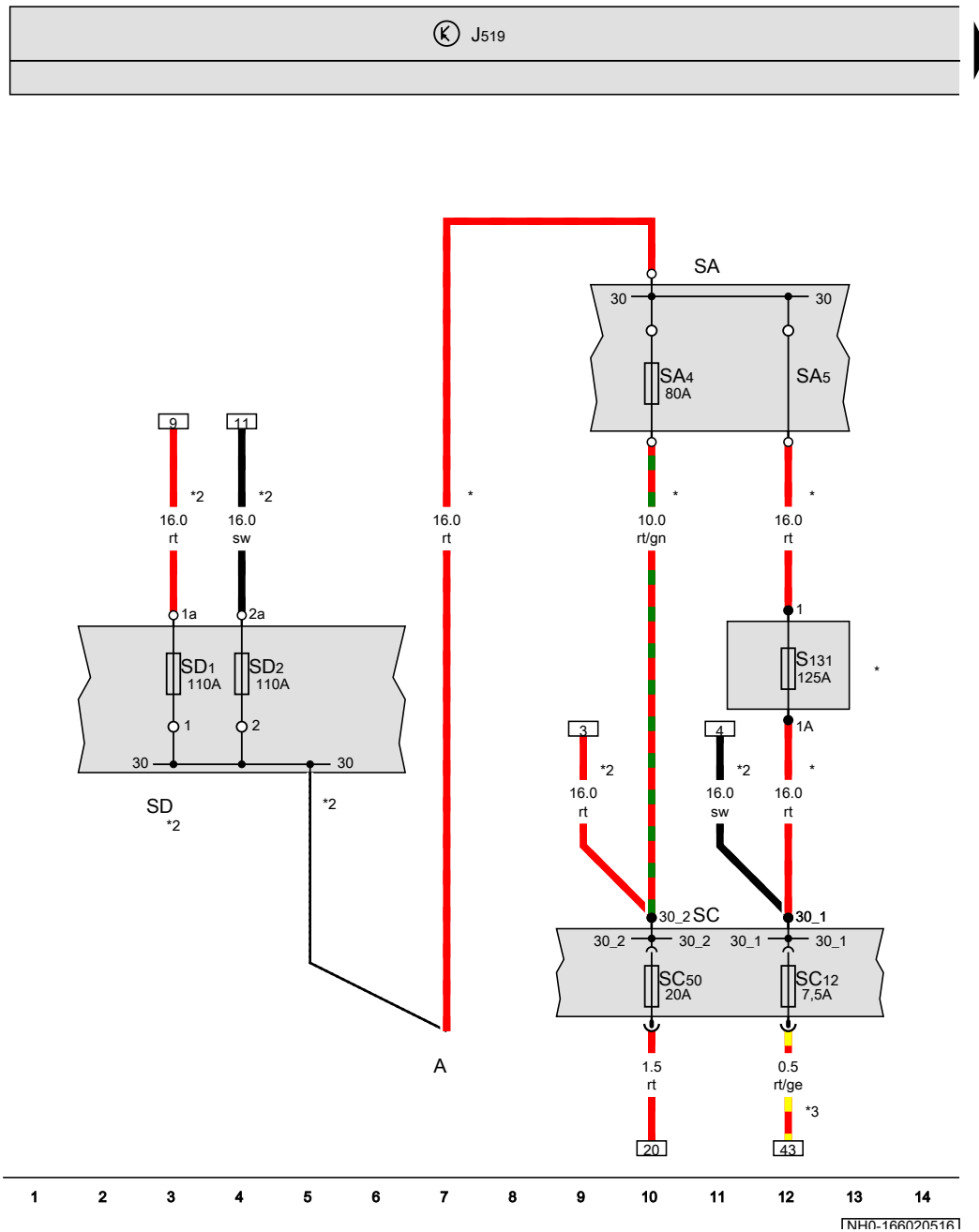
[NH0-165090516]

Radio system , (L0R)

From May 2016

Battery, Fuse holder A, Fuse holder C, Fuse holder D

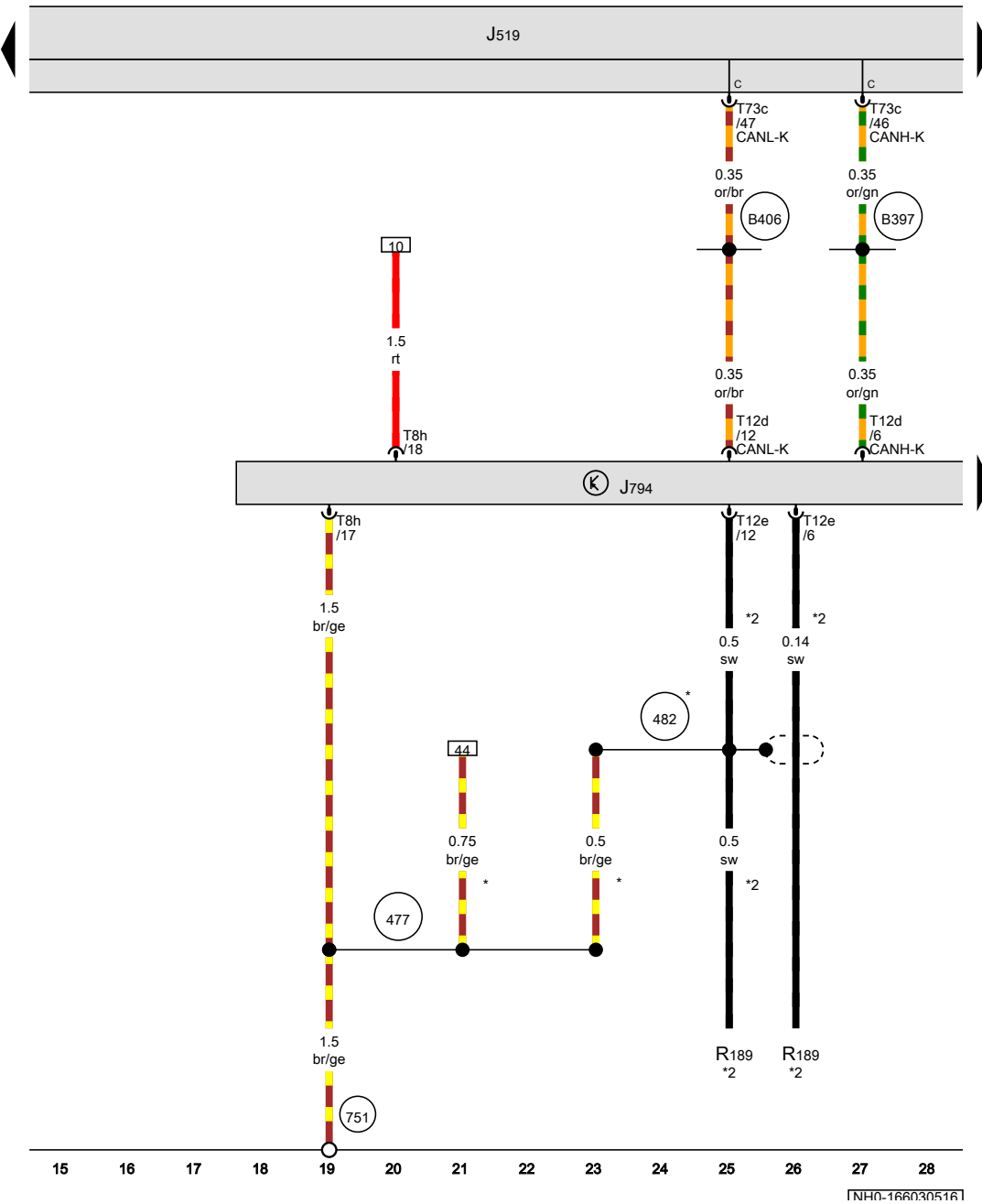
- A Battery
- J519 Onboard supply control unit
- SA Fuse holder A
- SC Fuse holder C
- SD1 Fuse 1 on fuse holder D
- SD2 Fuse 2 on fuse holder D
- SA4 Fuse 4 in fuse holder A
- SA5 Fuse 5 in fuse holder A
- SC12 Fuse 12 on fuse holder C
- SC50 Fuse 50 on fuse holder C
- S131 Fuse 1, in main wiring harness
- SD Fuse holder D
- * Only models with battery in engine compartment
- *2 Only models with battery in luggage compartment
- *3 According to equipment



Control unit 1 for information electronics

- J519 Onboard supply control unit
- J794 Control unit 1 for information electronics
- R189 Reversing camera
- T8h 8-pin connector, black
- T12d 12-pin connector, grey
- T12e 12-pin connector, blue
- T73c 73-pin connector, black

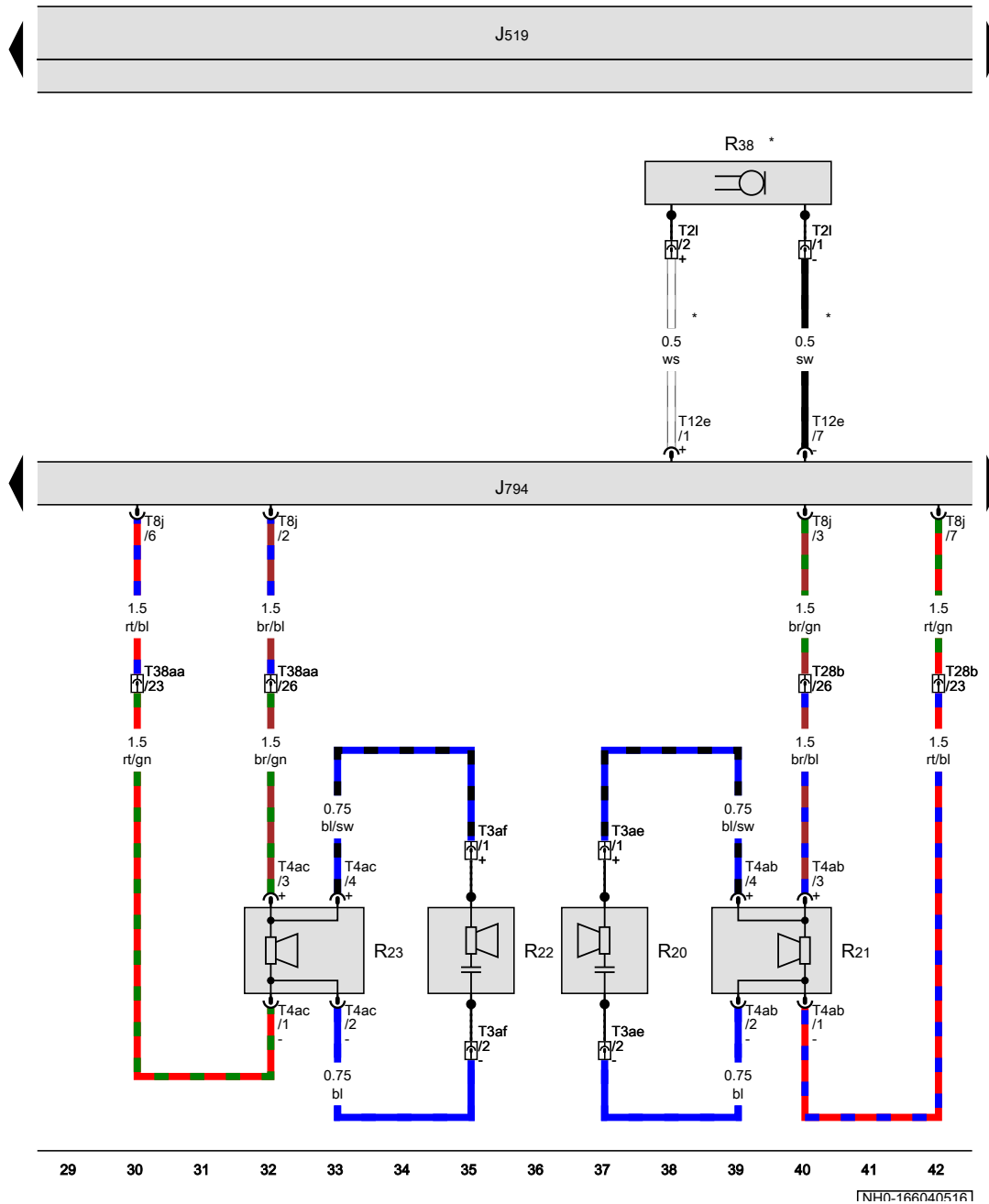
- 477 Earth connection (audio), in main wiring harness
- 482 Earth connection 2 (audio), in main wiring harness
- 751 Earth point 2, on right A-pillar
- B397 Connection 1 (convenience CAN bus, high), in main wiring harness
- B406 Connection 1 (convenience CAN bus, low), in main wiring harness
- * According to equipment
- *2 Only models with reversing camera system



- ws = white
- sw = black
- ro = red
- rt = red
- br = brown
- gn = green
- bl = blue
- gr = grey
- li = purple
- vi = purple
- ge = yellow
- or = orange
- rs = pink

Control unit 1 for information electronics, Front left treble loudspeaker, Front left bass loudspeaker, Front right treble loudspeaker, Front right bass loudspeaker, Telephone microphone

- J519 Onboard supply control unit
- J794 Control unit 1 for information electronics
- R20 Front left treble loudspeaker
- R21 Front left bass loudspeaker
- R22 Front right treble loudspeaker
- R23 Front right bass loudspeaker
- R38 Telephone microphone
- T2l 2-pin connector
- T3ae 3-pin connector
- T3af 3-pin connector
- T4ab 4-pin connector
- T4ac 4-pin connector
- T8j 8-pin connector, brown
- T12e 12-pin connector, blue
- T28b 28-pin connector, on left A-pillar
- T38aa 38-pin connector, on right A-pillar
- * Special equipment

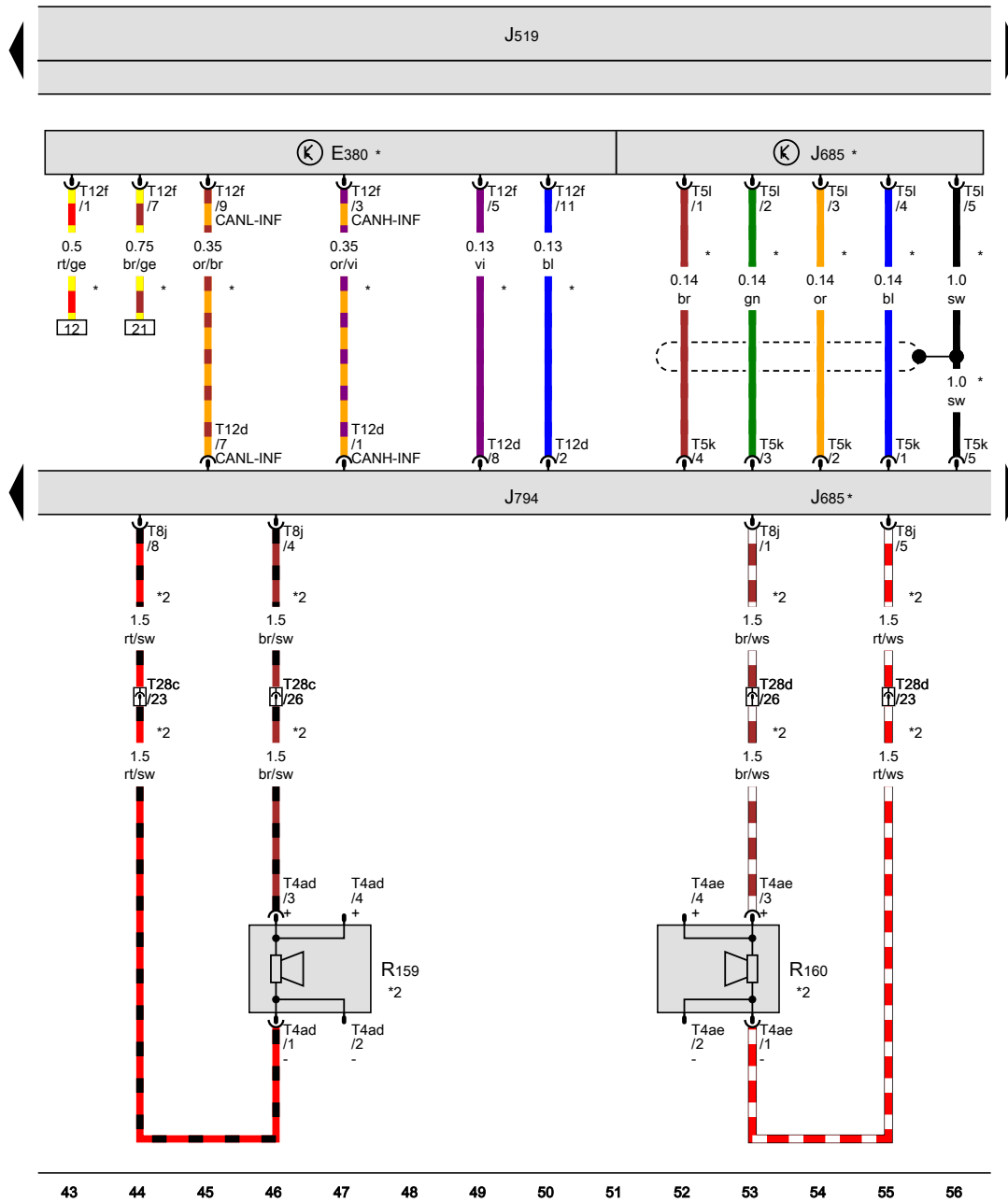


- ws = white
- sw = black
- ro = red
- rt = red
- br = brown
- gn = green
- bl = blue
- gr = grey
- li = purple
- vi = purple
- ge = yellow
- or = orange
- rs = pink

[NH0-166040516]

Multimedia system operating unit, Display unit for front information display and operating unit control unit, Control unit 1 for information electronics, Rear left mid-range and bass loudspeaker, Rear right mid-range and bass loudspeaker

- E380 Multimedia system operating unit
- J519 Onboard supply control unit
- J685 Display unit for front information display and operating unit control unit
- J794 Control unit 1 for information electronics
- R159 Rear left mid-range and bass loudspeaker
- R160 Rear right mid-range and bass loudspeaker
- T4ad 4-pin connector
- T4ae 4-pin connector
- T5k 5-pin connector, pink
- T5l 5-pin connector, blue
- T8j 8-pin connector, brown
- T12d 12-pin connector, grey
- T28c 28-pin connector, on left B-pillar
- T28d 28-pin connector, on right B-pillar
- * According to equipment
- *2 Only models with rear loudspeaker

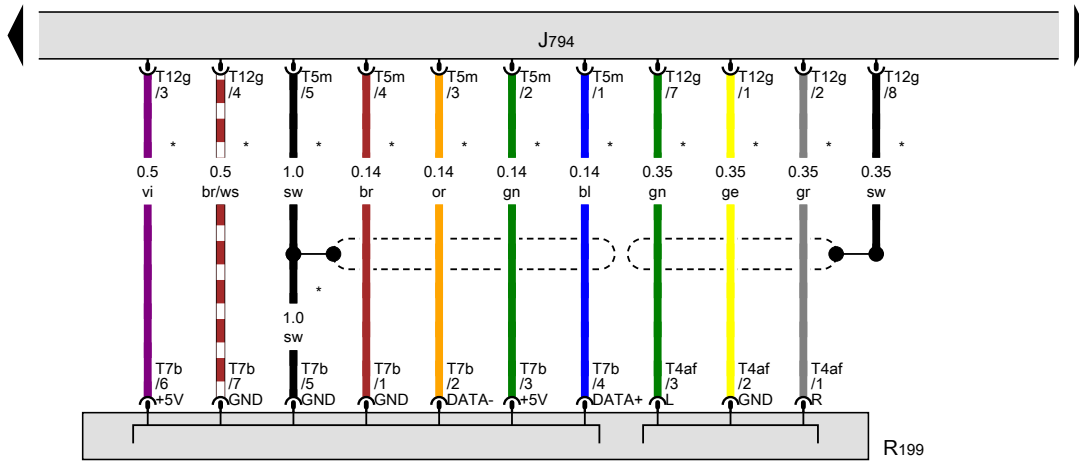
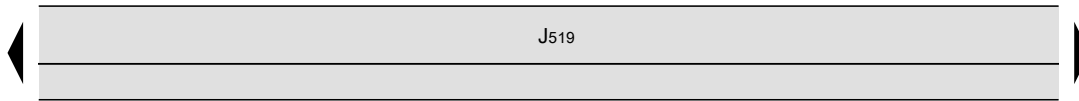


- ws = white
- sw = black
- ro = red
- rt = red
- br = brown
- gn = green
- bl = blue
- gr = grey
- li = purple
- vi = purple
- ge = yellow
- or = orange
- rs = pink

[NH0-166050516]

Control unit 1 for information electronics, Connection for external audio sources

- J519 Onboard supply control unit
- J794 Control unit 1 for information electronics
- R199 Connection for external audio sources
- T4af 4-pin connector
- T5m 5-pin connector, yellow
- T7b 7-pin connector
- T12g 12-pin connector, green
- * Special equipment



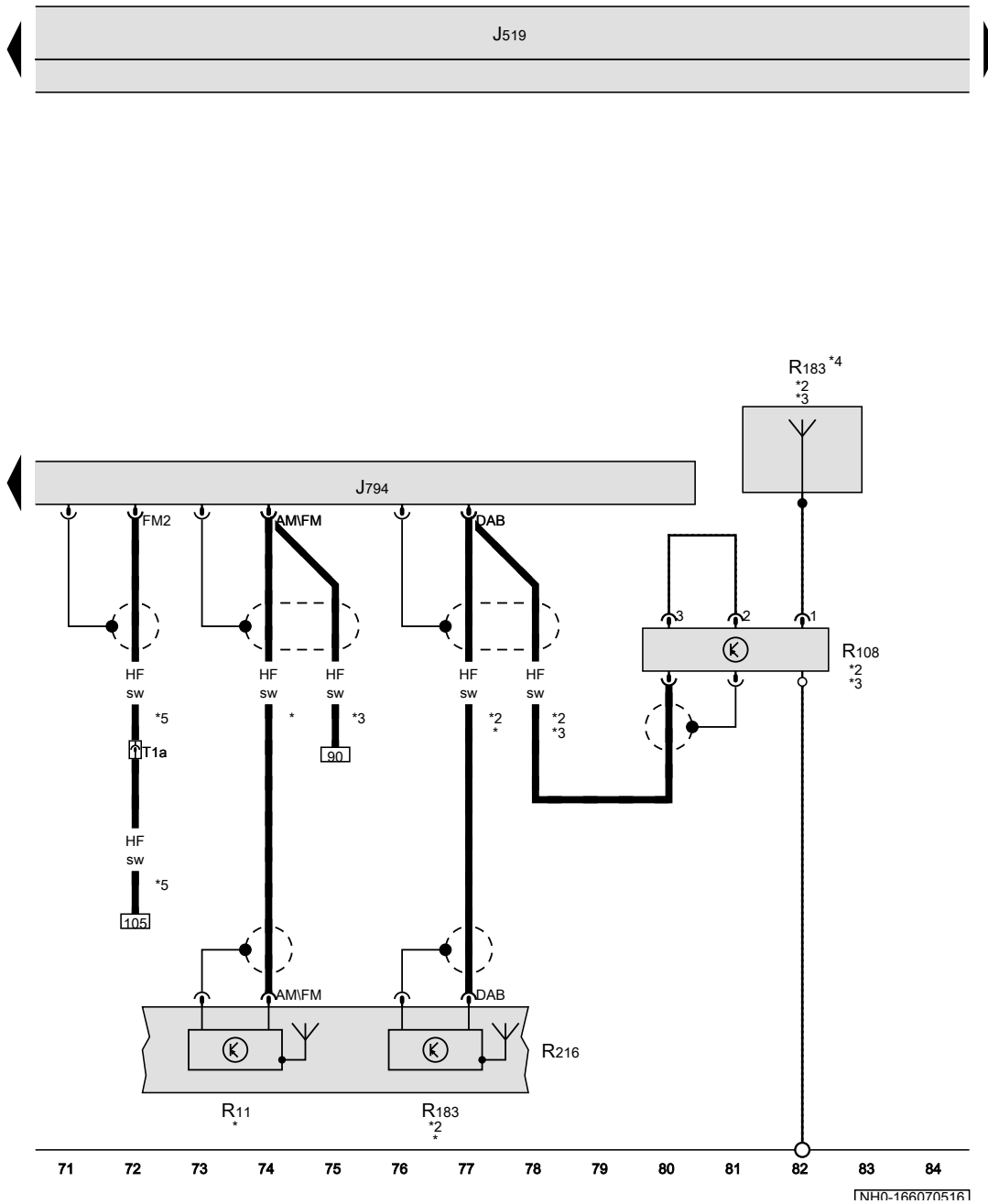
- ws = white
- sw = black
- ro = red
- rt = red
- br = brown
- gn = green
- bl = blue
- gr = grey
- li = purple
- vi = purple
- ge = yellow
- or = orange
- rs = pink

57 58 59 60 61 62 63 64 65 66 67 68 69 70

[NH0-166060516]

Control unit 1 for information electronics, Left aerial module, Digital radio aerial, Roof aerial

- J519 Onboard supply control unit
- J794 Control unit 1 for information electronics
- R11 Aerial
- R108 Left aerial module
- R183 Digital radio aerial
- R216 Roof aerial
- T1a Single connector, on right in luggage compartment
- * Only models with no glass roof
- *2 Special equipment
- *3 Only models with glass roof
- *4 Left side window aerial
- *5 Only models with rear window aerial

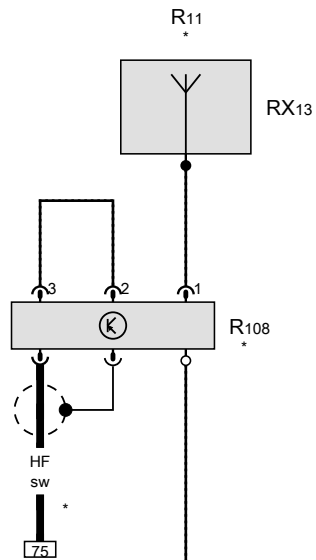
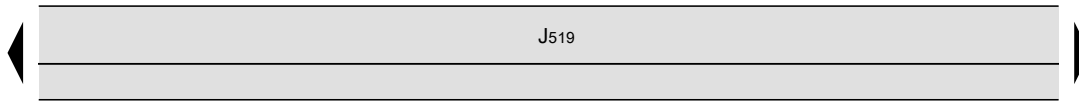


- ws = white
- sw = black
- ro = red
- rt = red
- br = brown
- gn = green
- bl = blue
- gr = grey
- li = purple
- vi = purple
- ge = yellow
- or = orange
- rs = pink

[NH0-166070516]

Aerial, Left aerial module

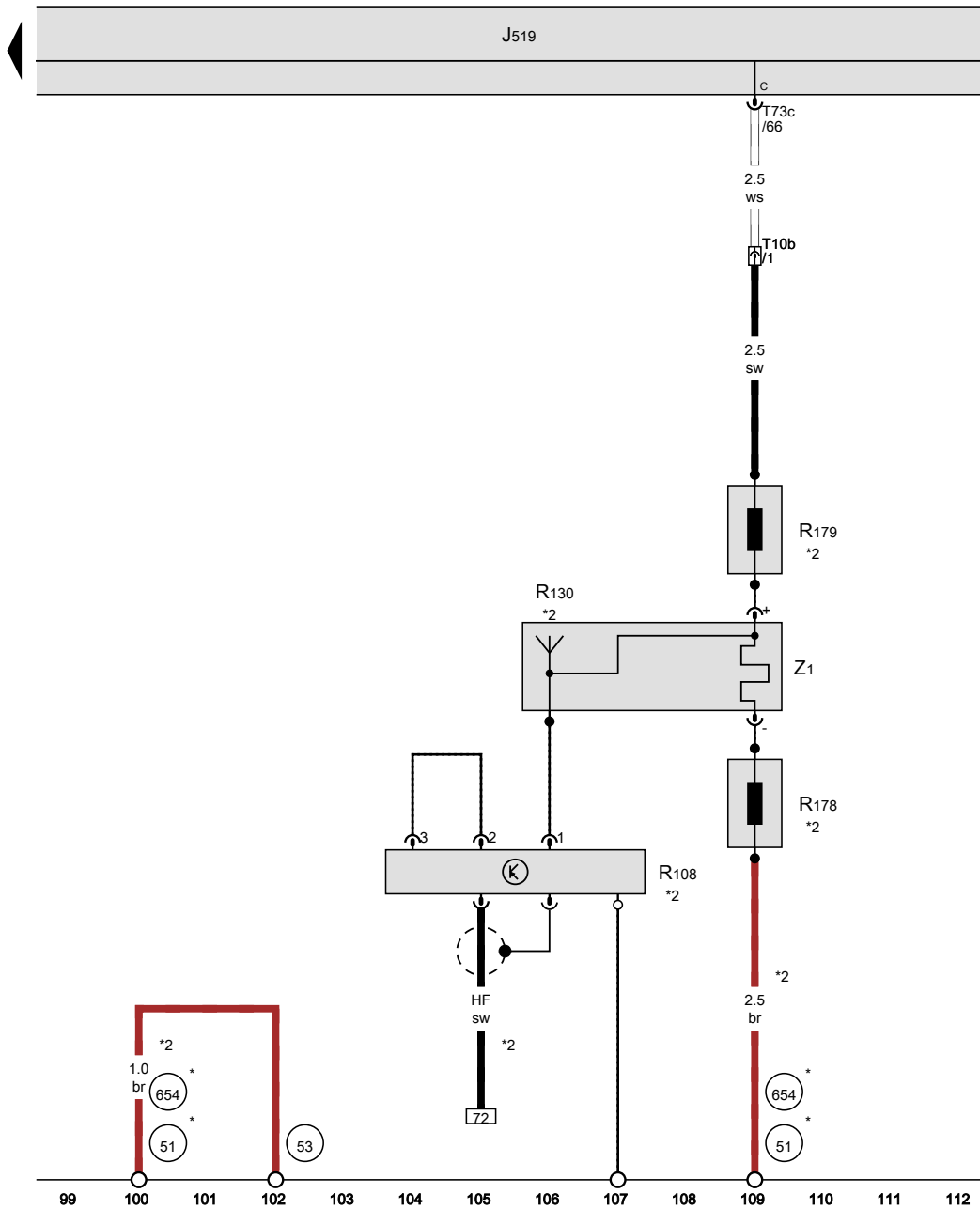
- J519 Onboard supply control unit
- R11 Aerial
- RX13 Glass roof
- R108 Left aerial module, under roof trim
- * Only models with glass roof



85 86 87 88 89 90 91 92 93 94 95 96 97 98

[NH0-166000516]

- ws = white
- sw = black
- ro = red
- rt = red
- br = brown
- gn = green
- bl = blue
- gr = grey
- li = purple
- vi = purple
- ge = yellow
- or = orange
- rs = pink



Left aerial module, Rear window aerial 1, Frequency modulation (FM) frequency filter in negative wire, Frequency modulation (FM) frequency filter in positive wire, Heated rear window

- J519 Onboard supply control unit
- R108 Left aerial module
- R130 Rear window aerial 1
- R178 Frequency modulation (FM) frequency filter in negative wire
- R179 Frequency modulation (FM) frequency filter in positive wire
- T10b 10-pin connector
- T73c 73-pin connector, black
- Z1 Heated rear window

- 51 Earth point, on right in luggage compartment
- 53 Earth point, on right in rear lid
- 654 Earth point, on right D-pillar

* see fitting locations
 *2 Only models with rear window aerial

- ws = white
- sw = black
- ro = red
- rt = red
- br = brown
- gn = green
- bl = blue
- gr = grey
- li = purple
- vi = purple
- ge = yellow
- or = orange
- rs = pink

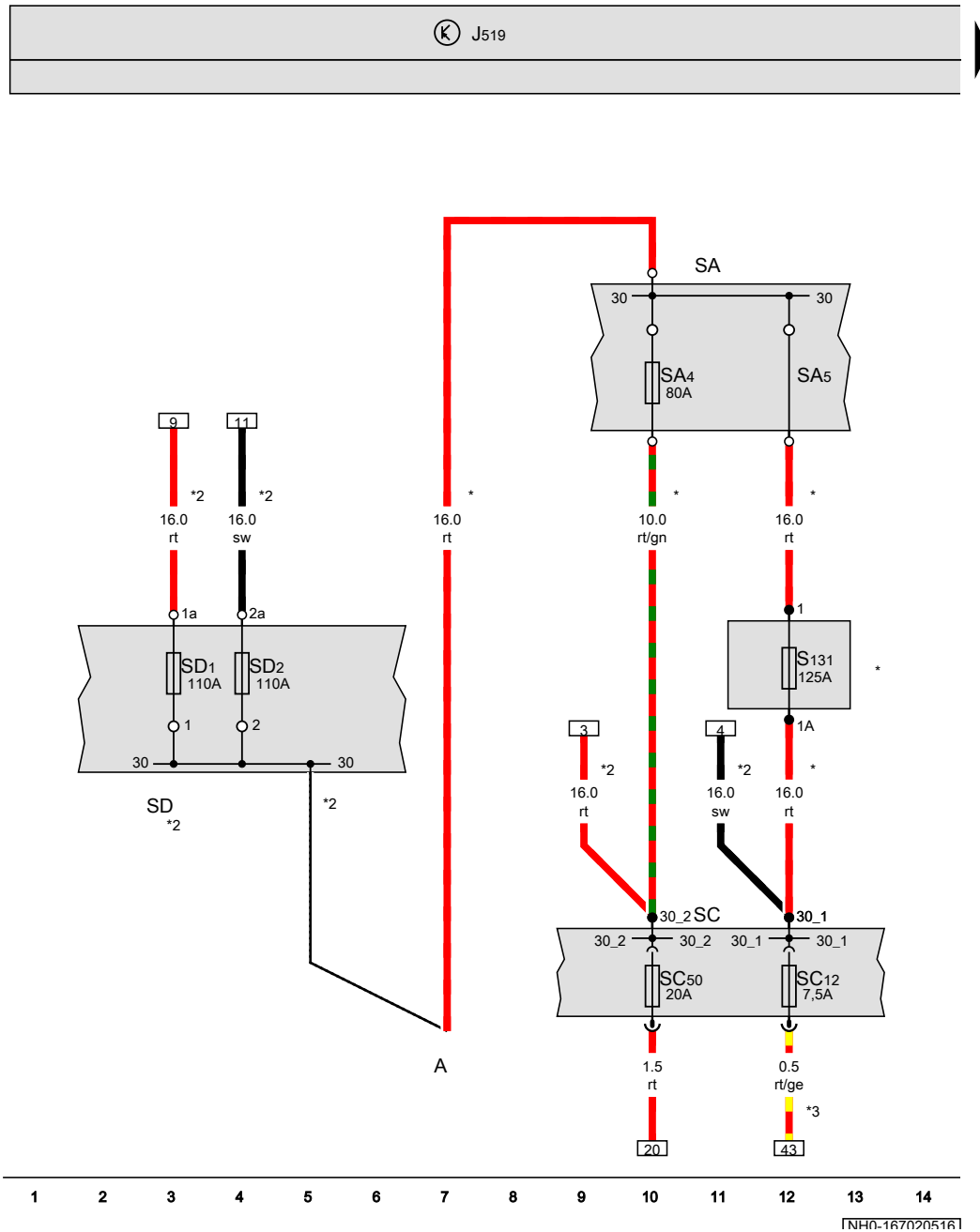
[NH0-166090516]

Radio navigation system , (L0L)

From May 2016

Battery, Fuse holder A, Fuse holder C, Fuse holder D

- A Battery
- J519 Onboard supply control unit
- SA Fuse holder A
- SC Fuse holder C
- SD1 Fuse 1 on fuse holder D
- SD2 Fuse 2 on fuse holder D
- SA4 Fuse 4 in fuse holder A
- SA5 Fuse 5 in fuse holder A
- SC12 Fuse 12 on fuse holder C
- SC50 Fuse 50 on fuse holder C
- S131 Fuse 1, in main wiring harness
- SD Fuse holder D
- * Only models with battery in engine compartment
- *2 Only models with battery in luggage compartment
- *3 According to equipment



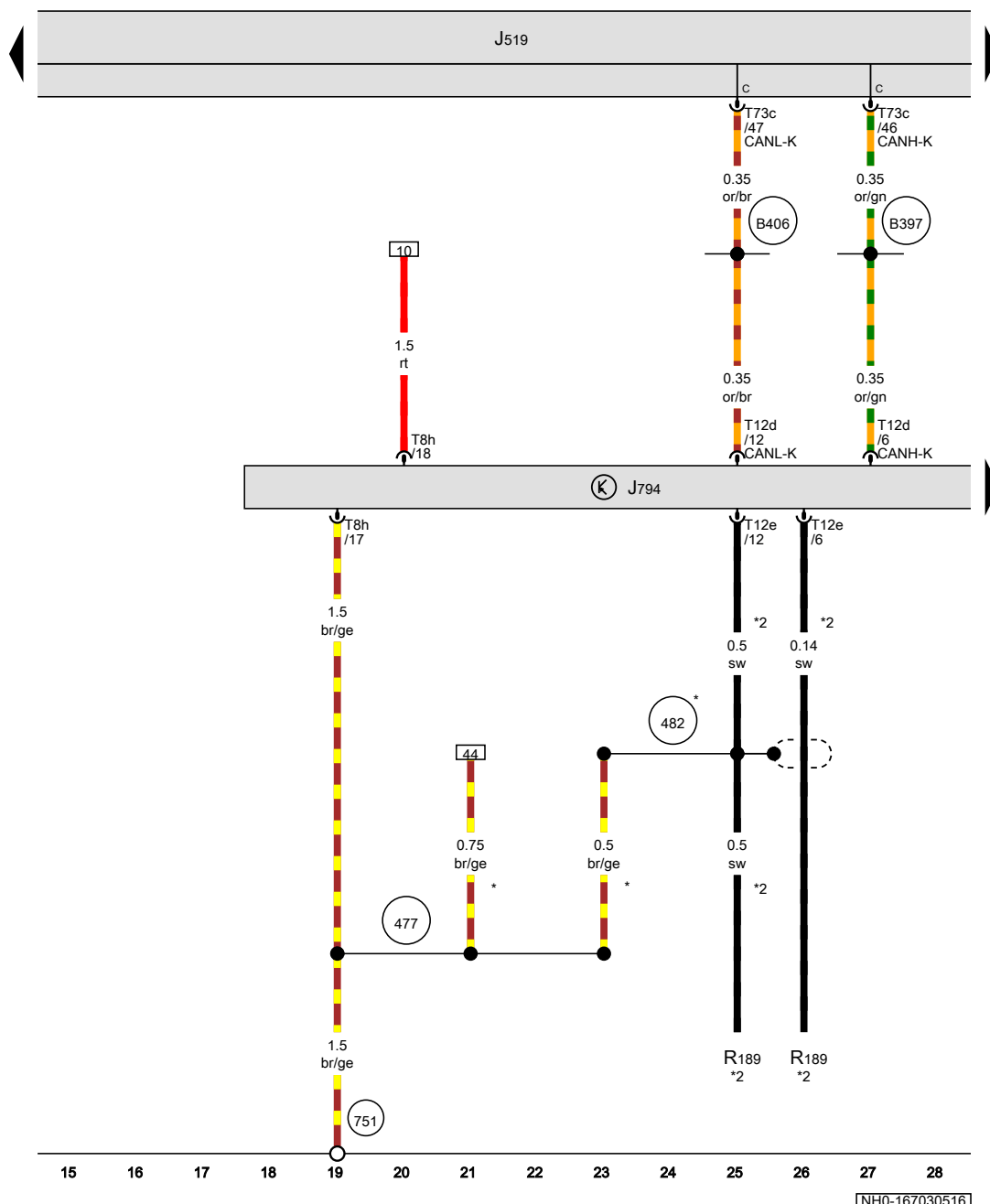
[NH0-167020516]

Control unit 1 for information electronics

- J519 Onboard supply control unit
- J794 Control unit 1 for information electronics
- R189 Reversing camera
- T8h 8-pin connector, black
- T12d 12-pin connector, grey
- T12e 12-pin connector, blue
- T73c 73-pin connector, black

- 477 Earth connection (audio), in main wiring harness
- 482 Earth connection 2 (audio), in main wiring harness
- 751 Earth point 2, on right A-pillar
- B397 Connection 1 (convenience CAN bus, high), in main wiring harness
- B406 Connection 1 (convenience CAN bus, low), in main wiring harness
- * According to equipment
- *2 Only models with reversing camera system

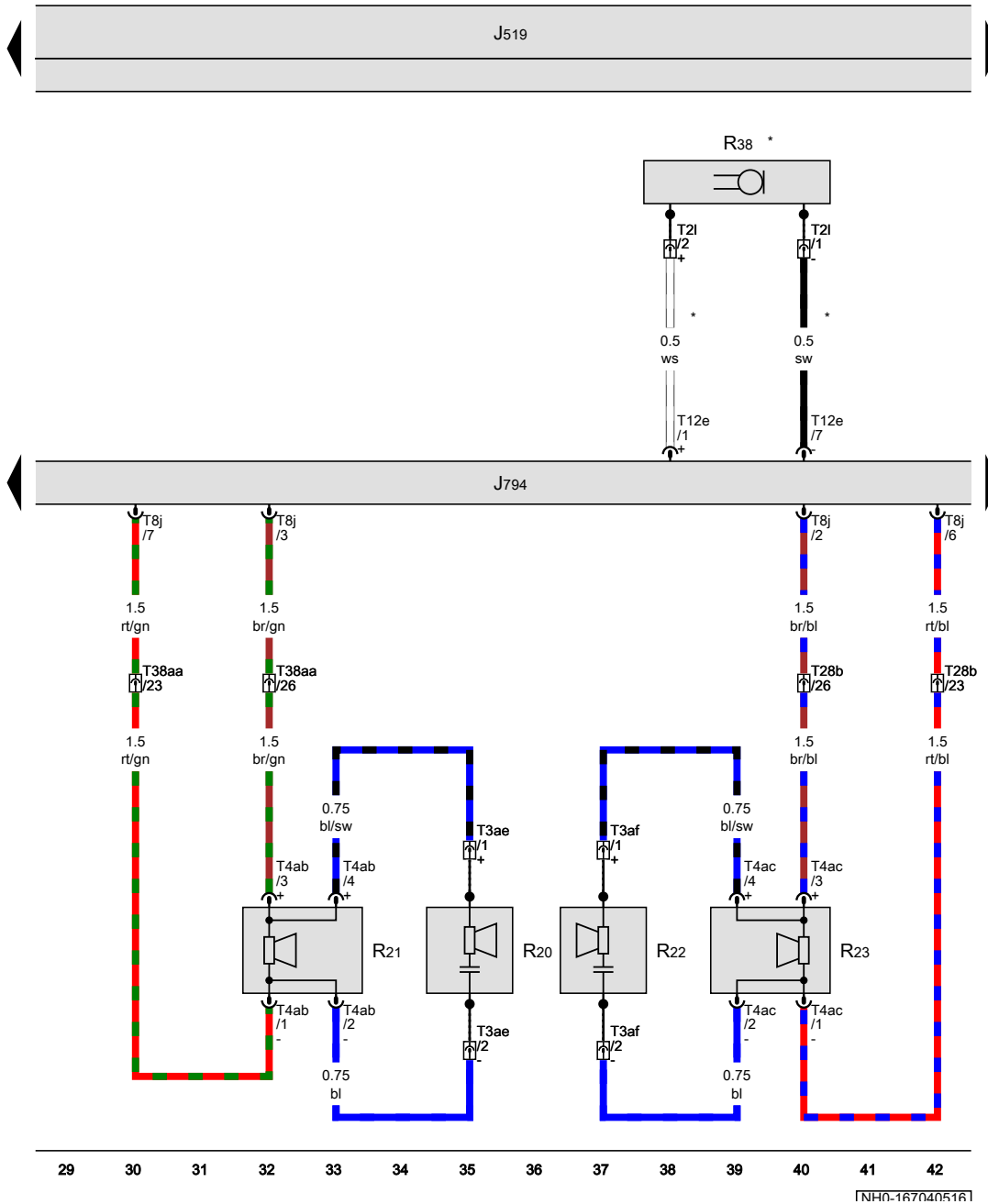
- ws = white
- sw = black
- ro = red
- rt = red
- br = brown
- gn = green
- bl = blue
- gr = grey
- li = purple
- vi = purple
- ge = yellow
- or = orange
- rs = pink



[NH0-167030516]

Control unit 1 for information electronics, Front left treble loudspeaker, Front left bass loudspeaker, Front right treble loudspeaker, Front right bass loudspeaker, Telephone microphone

- J519 Onboard supply control unit
- J794 Control unit 1 for information electronics
- R20 Front left treble loudspeaker
- R21 Front left bass loudspeaker
- R22 Front right treble loudspeaker
- R23 Front right bass loudspeaker
- R38 Telephone microphone
- T2l 2-pin connector
- T3ae 3-pin connector
- T3af 3-pin connector
- T4ab 4-pin connector
- T4ac 4-pin connector
- T8j 8-pin connector, brown
- T12e 12-pin connector, blue
- T28b 28-pin connector, on right A-pillar
- T38aa 38-pin connector, on left A-pillar
- * Special equipment

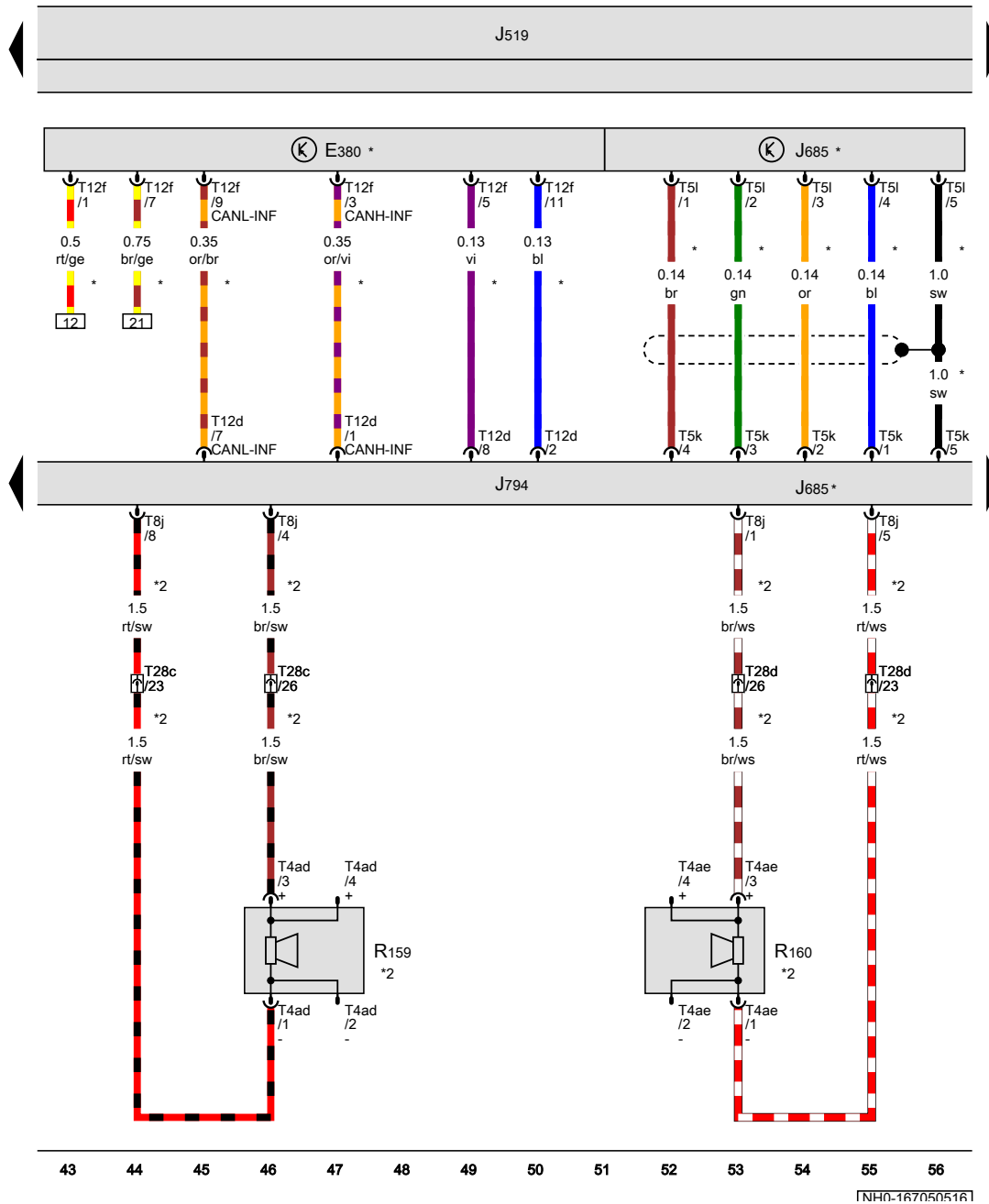


- ws = white
- sw = black
- ro = red
- rt = red
- br = brown
- gn = green
- bl = blue
- gr = grey
- li = purple
- vi = purple
- ge = yellow
- or = orange
- rs = pink

[NH0-167040516]

Multimedia system operating unit, Display unit for front information display and operating unit control unit, Control unit 1 for information electronics, Rear left mid-range and bass loudspeaker, Rear right mid-range and bass loudspeaker

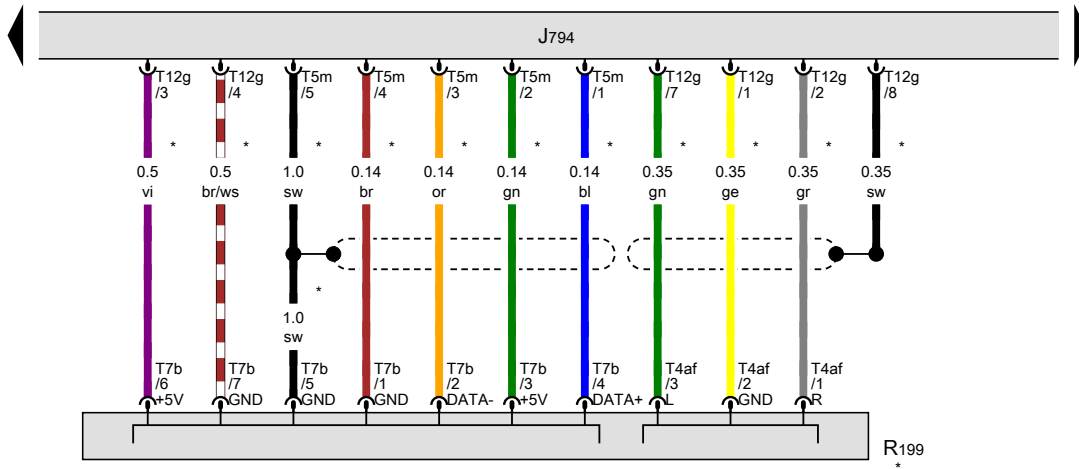
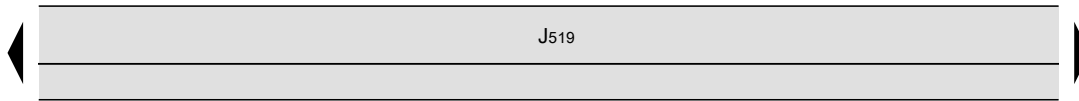
- E380 Multimedia system operating unit
- J519 Onboard supply control unit
- J685 Display unit for front information display and operating unit control unit
- J794 Control unit 1 for information electronics
- R159 Rear left mid-range and bass loudspeaker
- R160 Rear right mid-range and bass loudspeaker
- T4ad 4-pin connector
- T4ae 4-pin connector
- T5k 5-pin connector, pink
- T5l 5-pin connector, blue
- T8j 8-pin connector, brown
- T12d 12-pin connector, grey
- T12f 12-pin connector, black
- T28c 28-pin connector, on left B-pillar
- T28d 28-pin connector, on right B-pillar
- * According to equipment
- *2 Only models with rear loudspeaker



- ws = white
- sw = black
- ro = red
- rt = red
- br = brown
- gn = green
- bl = blue
- gr = grey
- li = purple
- vi = purple
- ge = yellow
- or = orange
- rs = pink

Control unit 1 for information electronics, Connection for external audio sources

- J519 Onboard supply control unit
- J794 Control unit 1 for information electronics
- R199 Connection for external audio sources
- T4af 4-pin connector
- T5m 5-pin connector, yellow
- T7b 7-pin connector
- T12g 12-pin connector, green
- * Special equipment



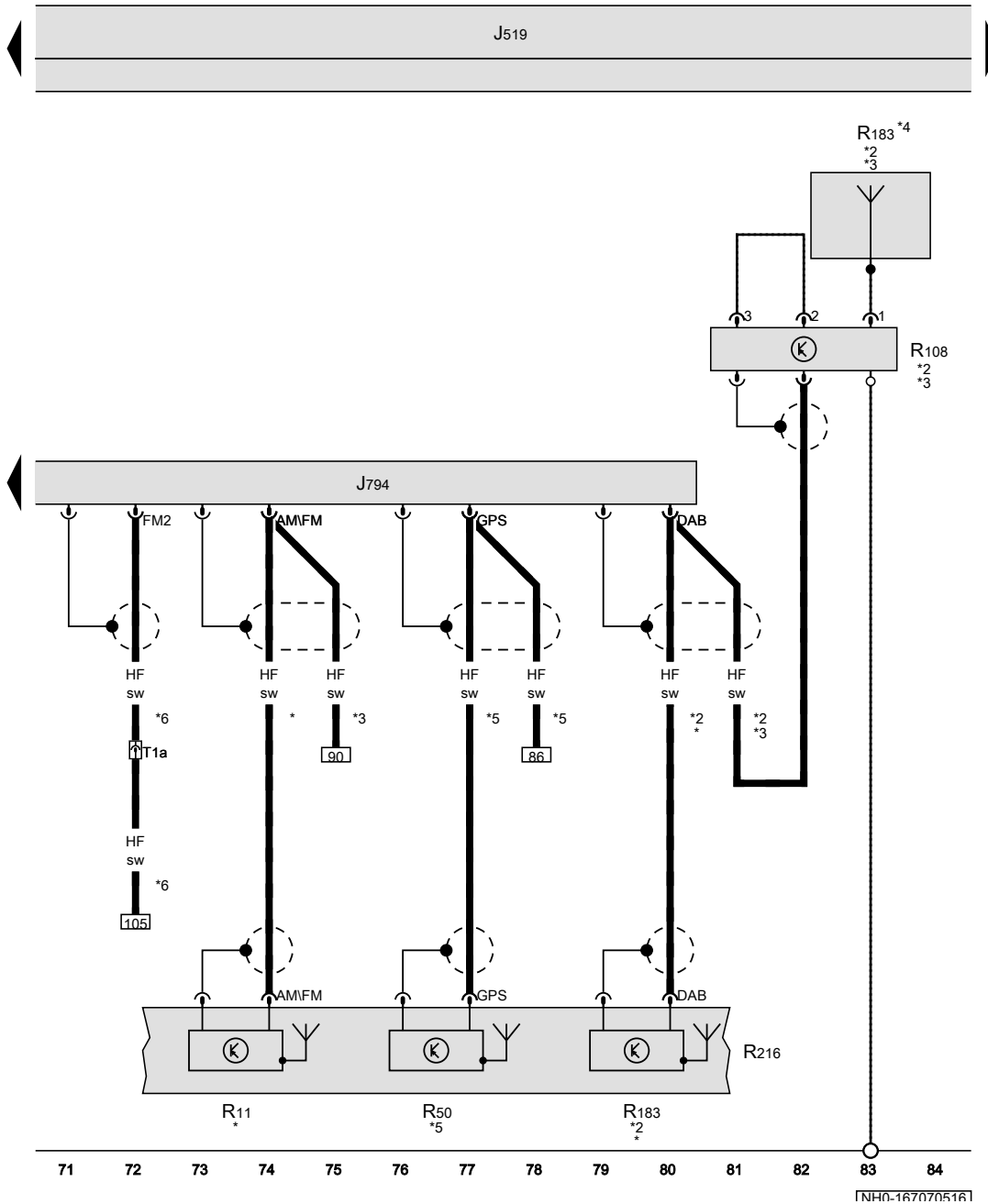
- ws = white
- sw = black
- ro = red
- rt = red
- br = brown
- gn = green
- bl = blue
- gr = grey
- li = purple
- vi = purple
- ge = yellow
- or = orange
- rs = pink

57 58 59 60 61 62 63 64 65 66 67 68 69 70

[NH0-167060516]

Control unit 1 for information electronics, Left aerial module, Digital radio aerial, Roof aerial

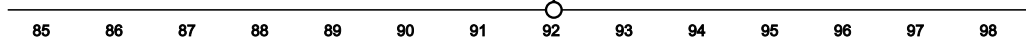
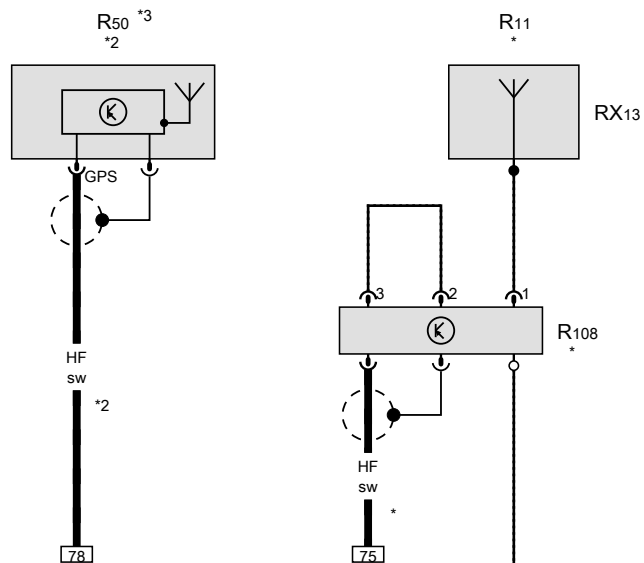
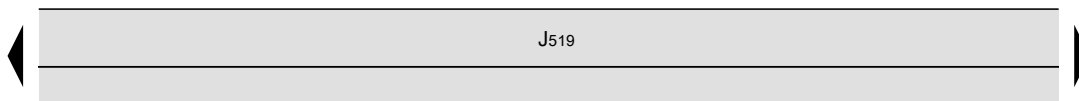
- J519 Onboard supply control unit
- J794 Control unit 1 for information electronics
- R11 Aerial
- R50 GPS aerial
- R108 Left aerial module
- R183 Digital radio aerial
- R216 Roof aerial
- T1a Single connector, on right in luggage compartment
- * Only models with no glass roof
- *2 Special equipment
- *3 Only models with glass roof
- *4 Left side window aerial
- *5 According to equipment
- *6 Only models with rear window aerial



[NH0-167070516]

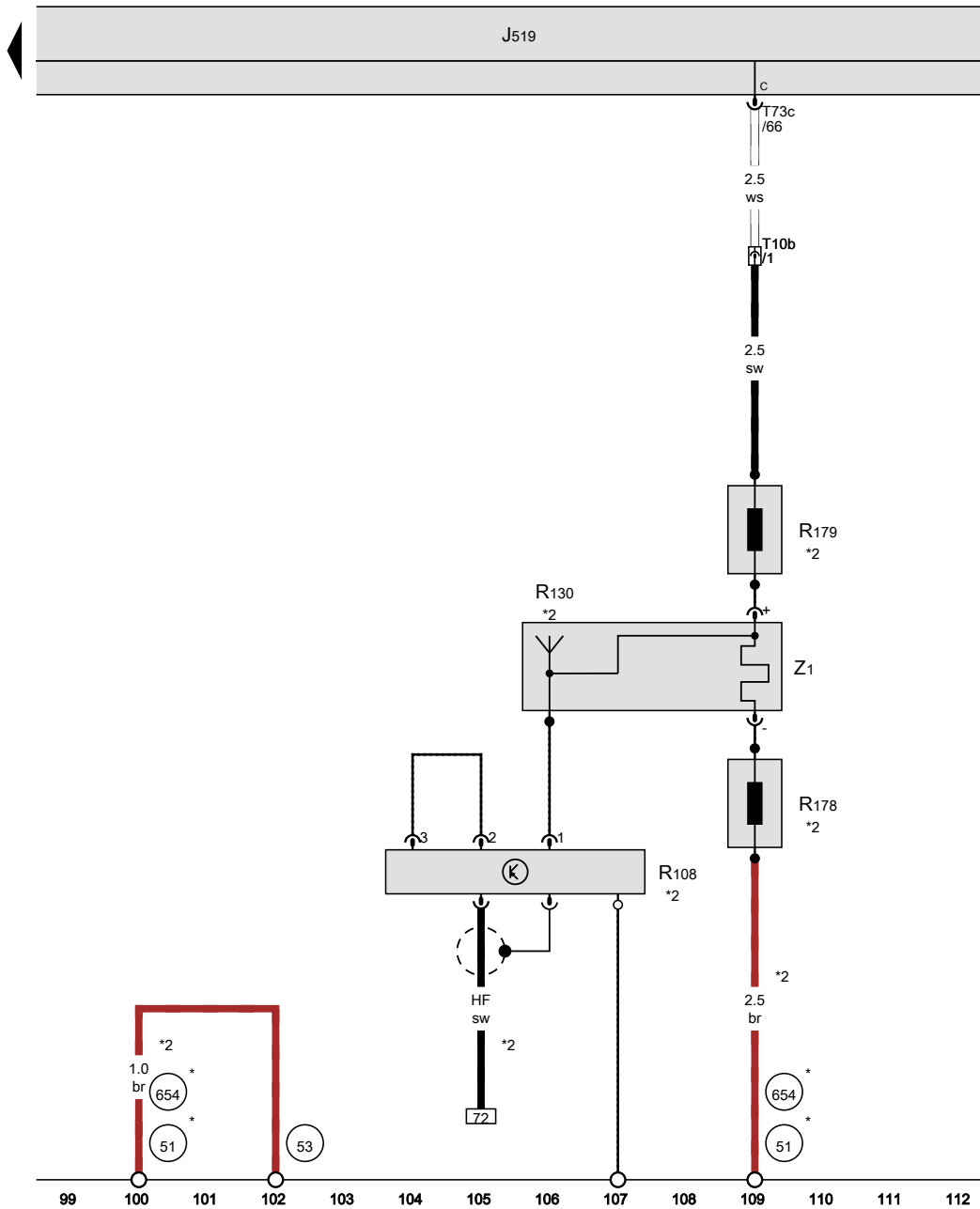
Aerial, GPS aerial, Left aerial module

- J519 Onboard supply control unit
- R11 Aerial
- RX13 Glass roof
- R50 GPS aerial
- R108 Left aerial module, under roof trim
- * Only models with glass roof
- *2 According to equipment
- *3 Aerial, routed under dash panel



[NH0-167080516]

- ws = white
- sw = black
- ro = red
- rt = red
- br = brown
- gn = green
- bl = blue
- gr = grey
- li = purple
- vi = purple
- ge = yellow
- or = orange
- rs = pink



Left aerial module, Rear window aerial 1, Frequency modulation (FM) frequency filter in negative wire, Frequency modulation (FM) frequency filter in positive wire, Heated rear window

- J519 Onboard supply control unit
- R108 Left aerial module
- R130 Rear window aerial 1
- R178 Frequency modulation (FM) frequency filter in negative wire
- R179 Frequency modulation (FM) frequency filter in positive wire
- T10b 10-pin connector
- T73c 73-pin connector, black
- Z1 Heated rear window

- 51 Earth point, on right in luggage compartment
- 53 Earth point, on right in rear lid
- 654 Earth point, on right D-pillar

* see fitting locations
 *2 Only models with rear window aerial

- ws = white
- sw = black
- ro = red
- rt = red
- br = brown
- gn = green
- bl = blue
- gr = grey
- li = purple
- vi = purple
- ge = yellow
- or = orange
- rs = pink

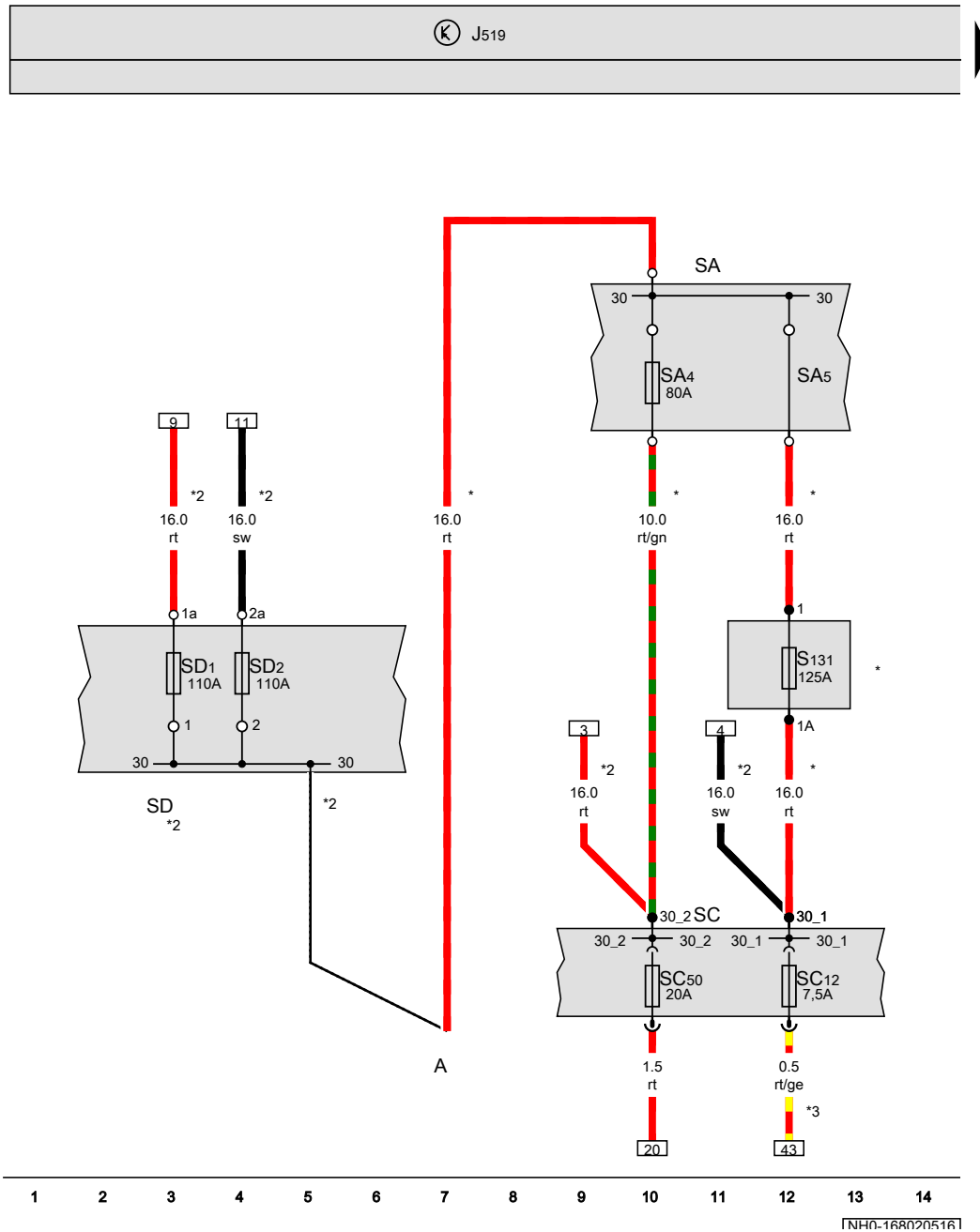
[NH0-167090516]

Radio navigation system , (L0R)

From May 2016

Battery, Fuse holder A, Fuse holder C, Fuse holder D

- A Battery
- J519 Onboard supply control unit
- SA Fuse holder A
- SC Fuse holder C
- SD1 Fuse 1 on fuse holder D
- SD2 Fuse 2 on fuse holder D
- SA4 Fuse 4 in fuse holder A
- SA5 Fuse 5 in fuse holder A
- SC12 Fuse 12 on fuse holder C
- SC50 Fuse 50 on fuse holder C
- S131 Fuse 1, in main wiring harness
- SD Fuse holder D
- * Only models with battery in engine compartment
- *2 Only models with battery in luggage compartment
- *3 According to equipment



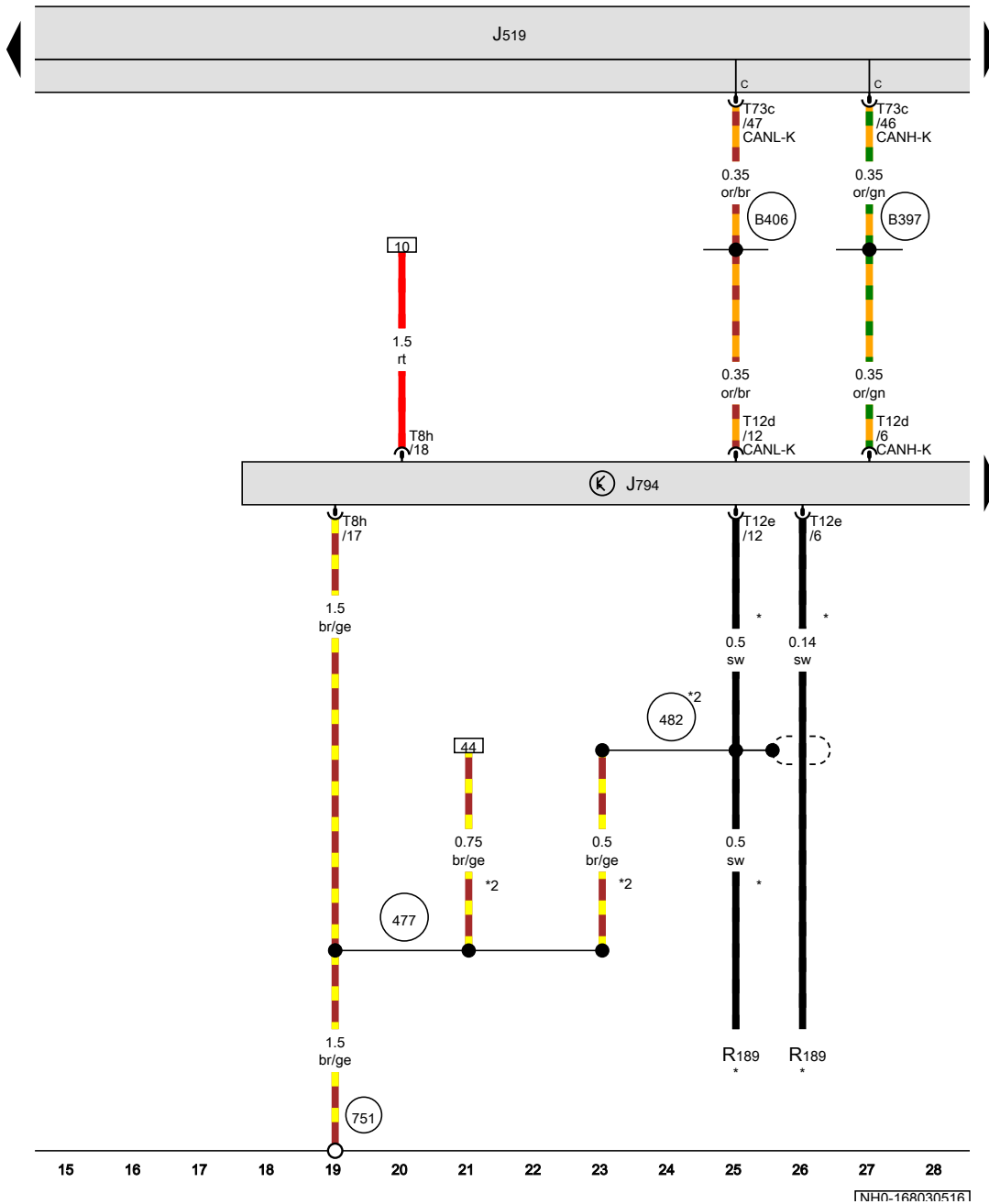
- ws = white
- sw = black
- ro = red
- rt = red
- br = brown
- gn = green
- bl = blue
- gr = grey
- li = purple
- vi = purple
- ge = yellow
- or = orange
- rs = pink

Control unit 1 for information electronics

- J519 Onboard supply control unit
- J794 Control unit 1 for information electronics
- R189 Reversing camera
- T8h 8-pin connector, black
- T12d 12-pin connector, grey
- T12e 12-pin connector, blue
- T73c 73-pin connector, black

- 477 Earth connection (audio), in main wiring harness
- 482 Earth connection 2 (audio), in main wiring harness
- 751 Earth point 2, on right A-pillar
- B397 Connection 1 (convenience CAN bus, high), in main wiring harness
- B406 Connection 1 (convenience CAN bus, low), in main wiring harness
- * Only models with reversing camera system
- *2 According to equipment

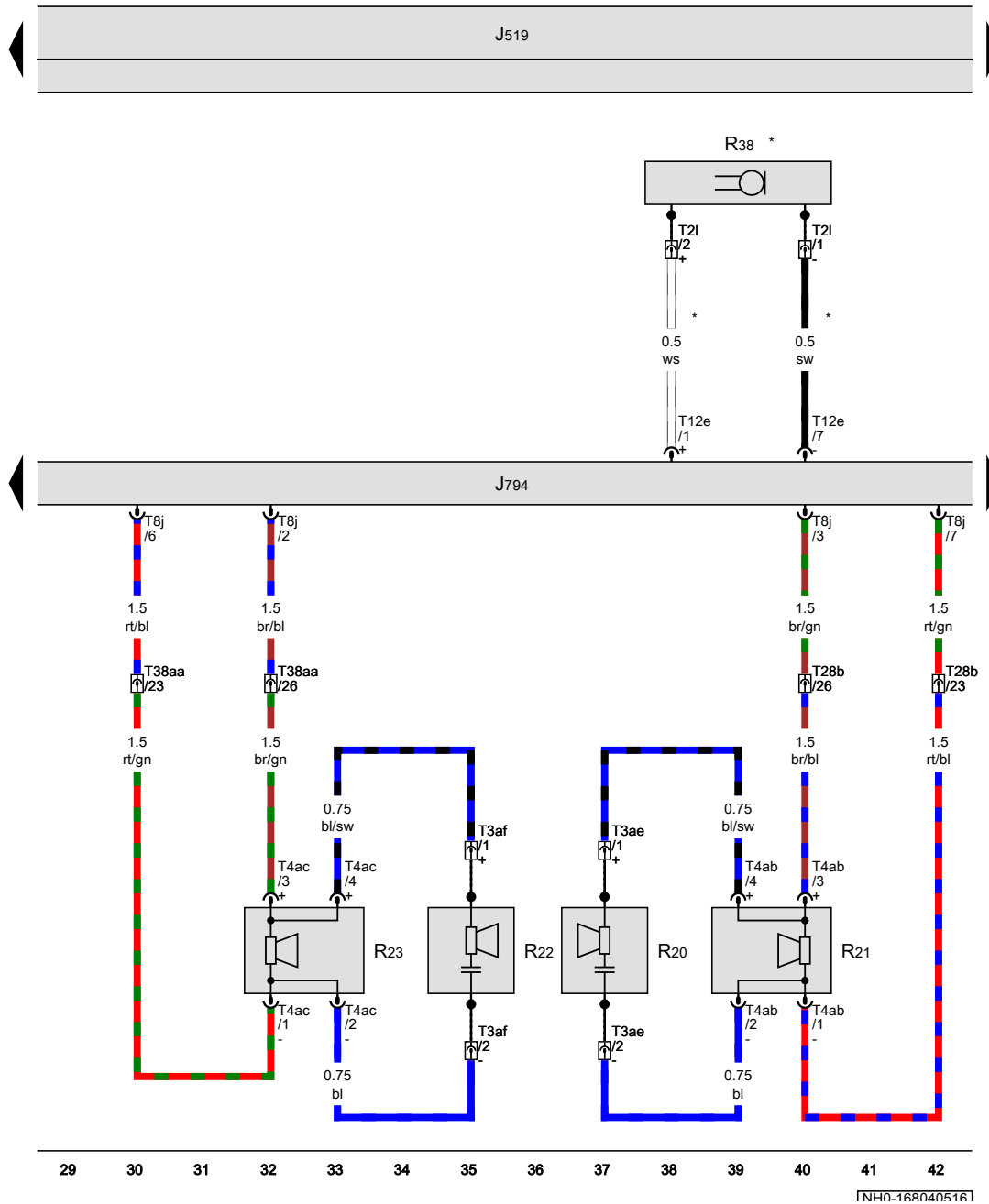
- ws = white
- sw = black
- ro = red
- rt = red
- br = brown
- gn = green
- bl = blue
- gr = grey
- li = purple
- vi = purple
- ge = yellow
- or = orange
- rs = pink



[NH0-168030516]

Control unit 1 for information electronics, Front left treble loudspeaker, Front left bass loudspeaker, Front right treble loudspeaker, Front right bass loudspeaker, Telephone microphone

- J519 Onboard supply control unit
- J794 Control unit 1 for information electronics
- R20 Front left treble loudspeaker
- R21 Front left bass loudspeaker
- R22 Front right treble loudspeaker
- R23 Front right bass loudspeaker
- R38 Telephone microphone
- T2l 2-pin connector
- T3ae 3-pin connector
- T3af 3-pin connector
- T4ab 4-pin connector
- T4ac 4-pin connector
- T8j 8-pin connector, brown
- T12e 12-pin connector, blue
- T28b 28-pin connector, on left A-pillar
- T38aa 38-pin connector, on right A-pillar
- * Special equipment

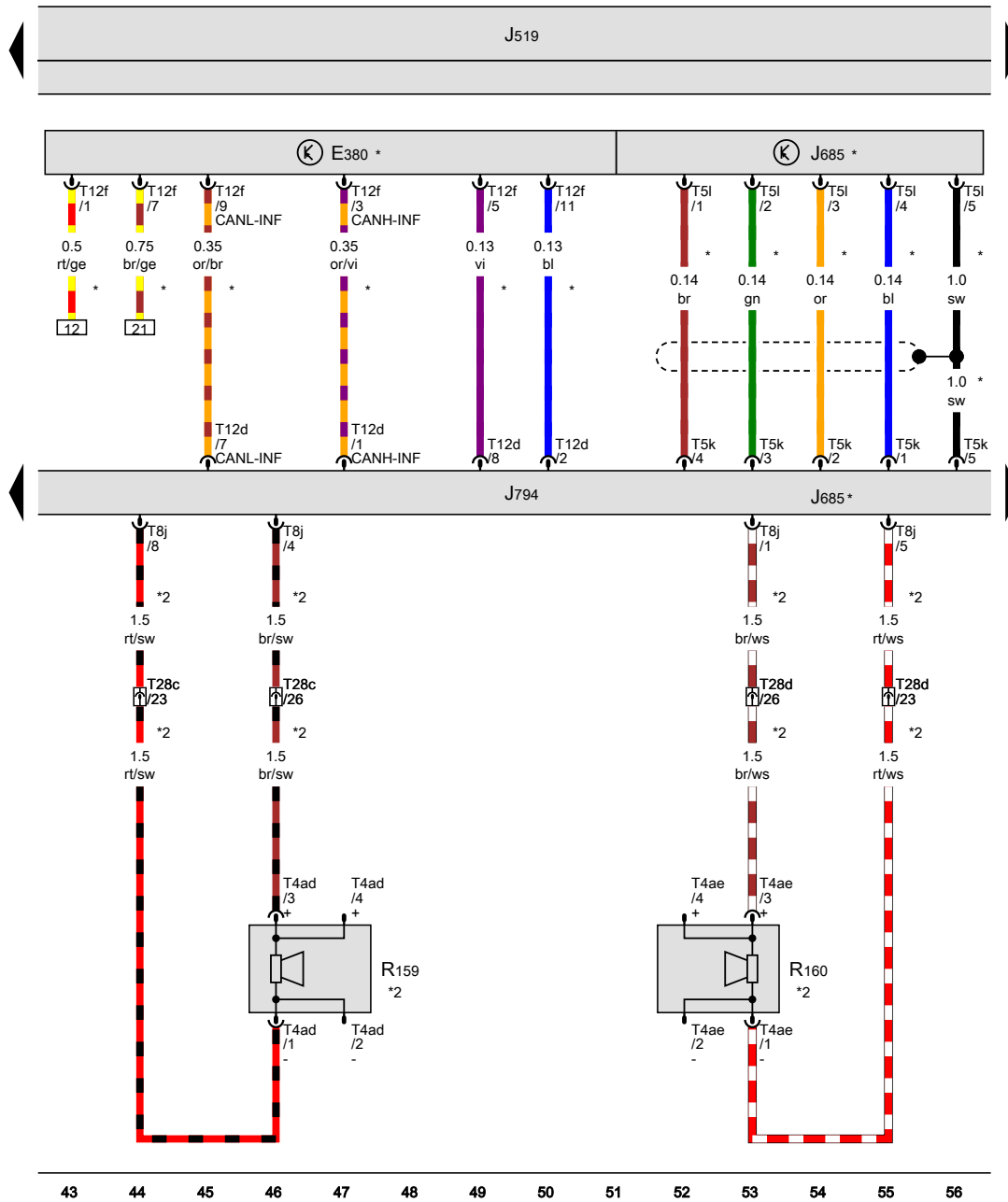


- ws = white
- sw = black
- ro = red
- rt = red
- br = brown
- gn = green
- bl = blue
- gr = grey
- li = purple
- vi = purple
- ge = yellow
- or = orange
- rs = pink

[NH0-168040516]

Multimedia system operating unit, Display unit for front information display and operating unit control unit, Control unit 1 for information electronics, Rear left mid-range and bass loudspeaker, Rear right mid-range and bass loudspeaker

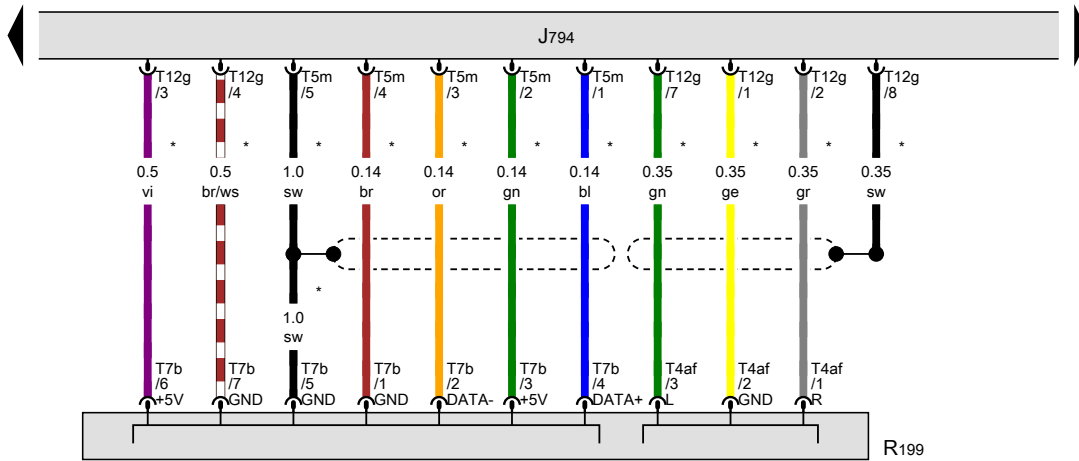
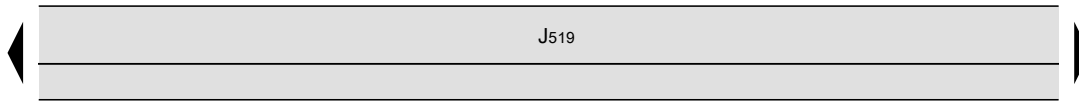
- E380 Multimedia system operating unit
- J519 Onboard supply control unit
- J685 Display unit for front information display and operating unit control unit
- J794 Control unit 1 for information electronics
- R159 Rear left mid-range and bass loudspeaker
- R160 Rear right mid-range and bass loudspeaker
- T4ad 4-pin connector
- T4ae 4-pin connector
- T5k 5-pin connector, pink
- T5l 5-pin connector, blue
- T8j 8-pin connector, brown
- T12d 12-pin connector, grey
- T12f 12-pin connector, black
- T28c 28-pin connector, on left B-pillar
- T28d 28-pin connector, on right B-pillar
- * According to equipment
- *2 Only models with rear loudspeaker



- ws = white
- sw = black
- ro = red
- rt = red
- br = brown
- gn = green
- bl = blue
- gr = grey
- li = purple
- vi = purple
- ge = yellow
- or = orange
- rs = pink

Control unit 1 for information electronics, Connection for external audio sources

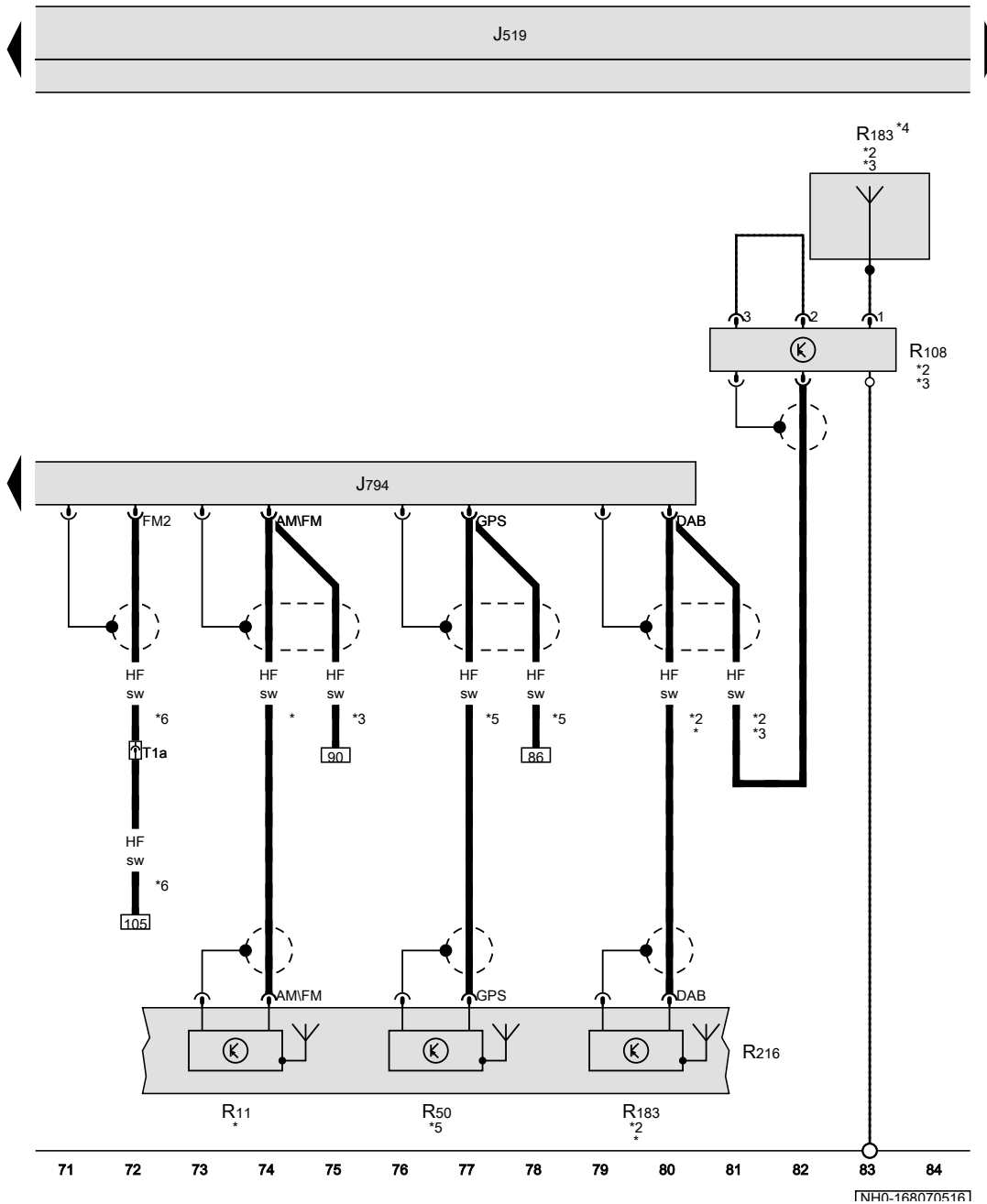
- J519 Onboard supply control unit
- J794 Control unit 1 for information electronics
- R199 Connection for external audio sources
- T4af 4-pin connector
- T5m 5-pin connector, yellow
- T7b 7-pin connector
- T12g 12-pin connector, green
- * Special equipment



- ws = white
- sw = black
- ro = red
- rt = red
- br = brown
- gn = green
- bl = blue
- gr = grey
- li = purple
- vi = purple
- ge = yellow
- or = orange
- rs = pink

Control unit 1 for information electronics, Left aerial module, Digital radio aerial, Roof aerial

- J519 Onboard supply control unit
- J794 Control unit 1 for information electronics
- R11 Aerial
- R50 GPS aerial
- R108 Left aerial module
- R183 Digital radio aerial
- R216 Roof aerial
- T1a Single connector, on right in luggage compartment
- * Only models with no glass roof
- *2 Special equipment
- *3 Only models with glass roof
- *4 Left side window aerial
- *5 According to equipment
- *6 Only models with rear window aerial

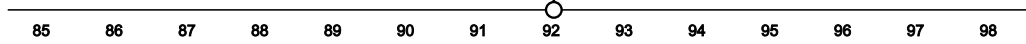
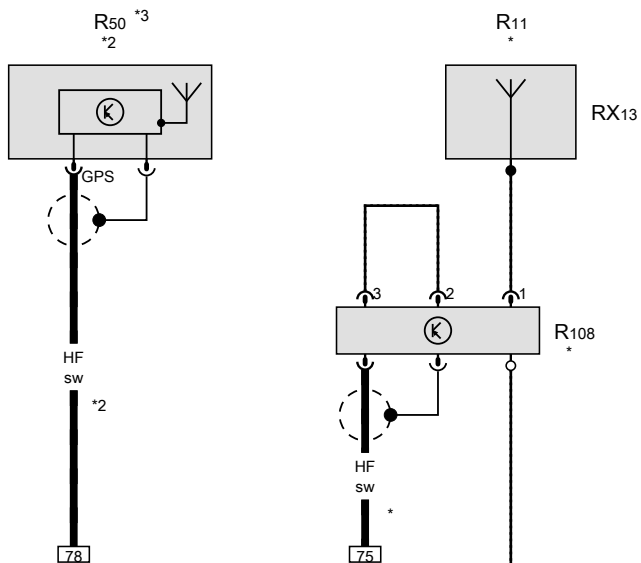
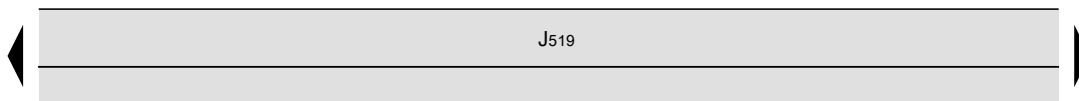


- ws = white
- sw = black
- ro = red
- rt = red
- br = brown
- gn = green
- bl = blue
- gr = grey
- li = purple
- vi = purple
- ge = yellow
- or = orange
- rs = pink

[NH0-168070516]

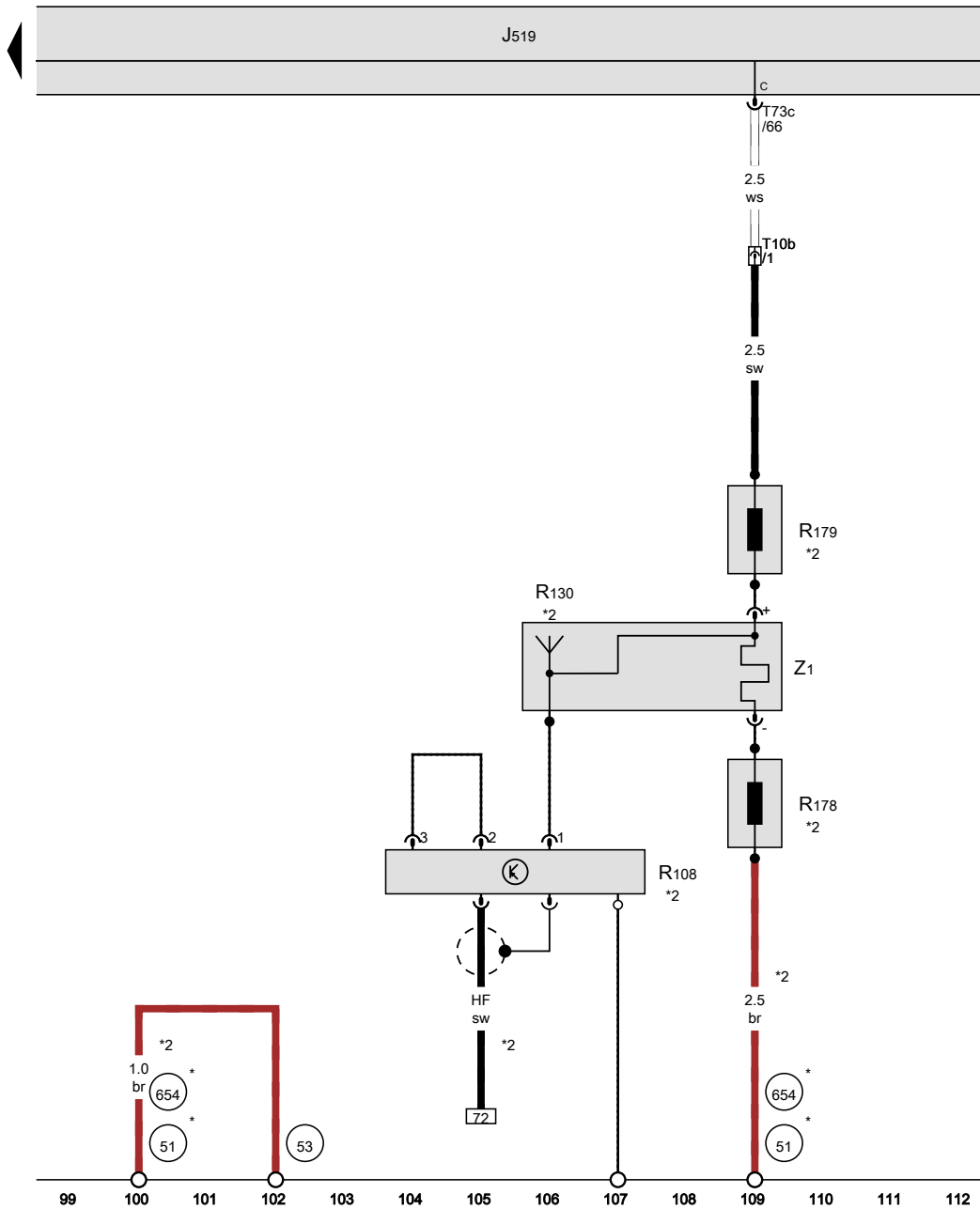
Aerial, GPS aerial, Left aerial module

- J519 Onboard supply control unit
- R11 Aerial
- RX13 Glass roof
- R50 GPS aerial
- R108 Left aerial module, under roof trim
- * Only models with glass roof
- *2 According to equipment
- *3 Aerial, routed under dash panel



[NH0-16800516]

- ws = white
- sw = black
- ro = red
- rt = red
- br = brown
- gn = green
- bl = blue
- gr = grey
- li = purple
- vi = purple
- ge = yellow
- or = orange
- rs = pink



Left aerial module, Rear window aerial 1, Frequency modulation (FM) frequency filter in negative wire, Frequency modulation (FM) frequency filter in positive wire, Heated rear window

- J519 Onboard supply control unit
- R108 Left aerial module
- R130 Rear window aerial 1
- R178 Frequency modulation (FM) frequency filter in negative wire
- R179 Frequency modulation (FM) frequency filter in positive wire
- T10b 10-pin connector
- T73c 73-pin connector, black
- Z1 Heated rear window

- 51 Earth point, on right in luggage compartment
- 53 Earth point, on right in rear lid
- 654 Earth point, on right D-pillar

* see fitting locations
 *2 Only models with rear window aerial

- ws = white
- sw = black
- ro = red
- rt = red
- br = brown
- gn = green
- bl = blue
- gr = grey
- li = purple
- vi = purple
- ge = yellow
- or = orange
- rs = pink

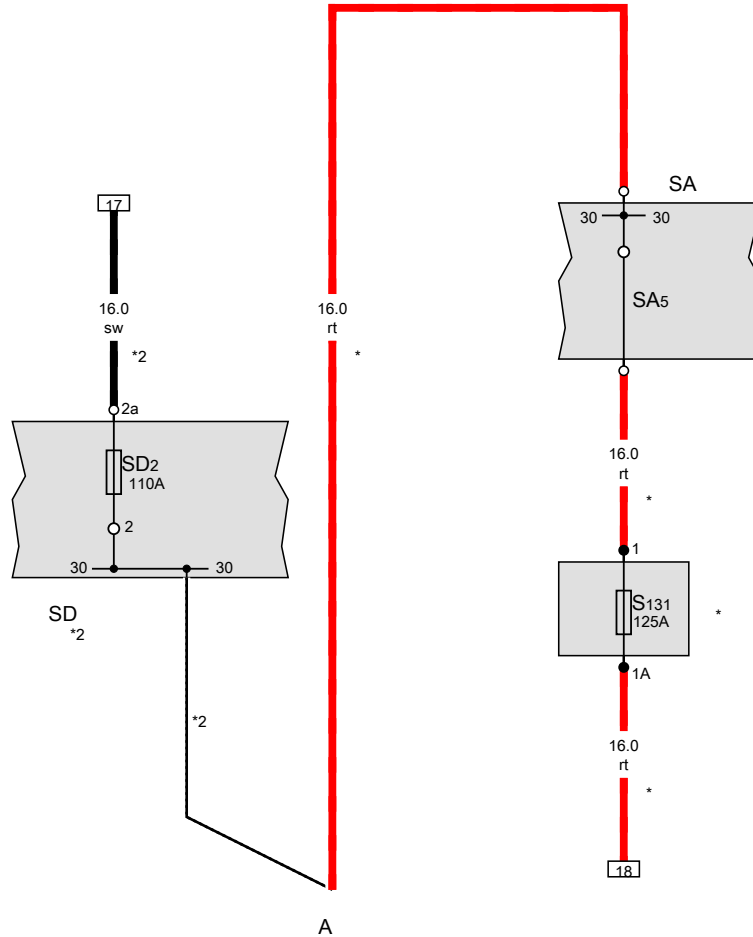
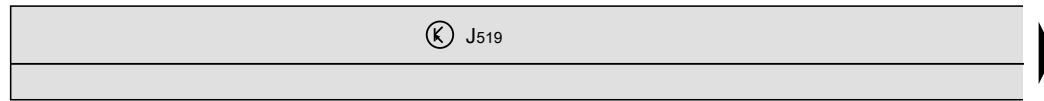
[NH0-168090516]

Reversing camera (Rear Assist)

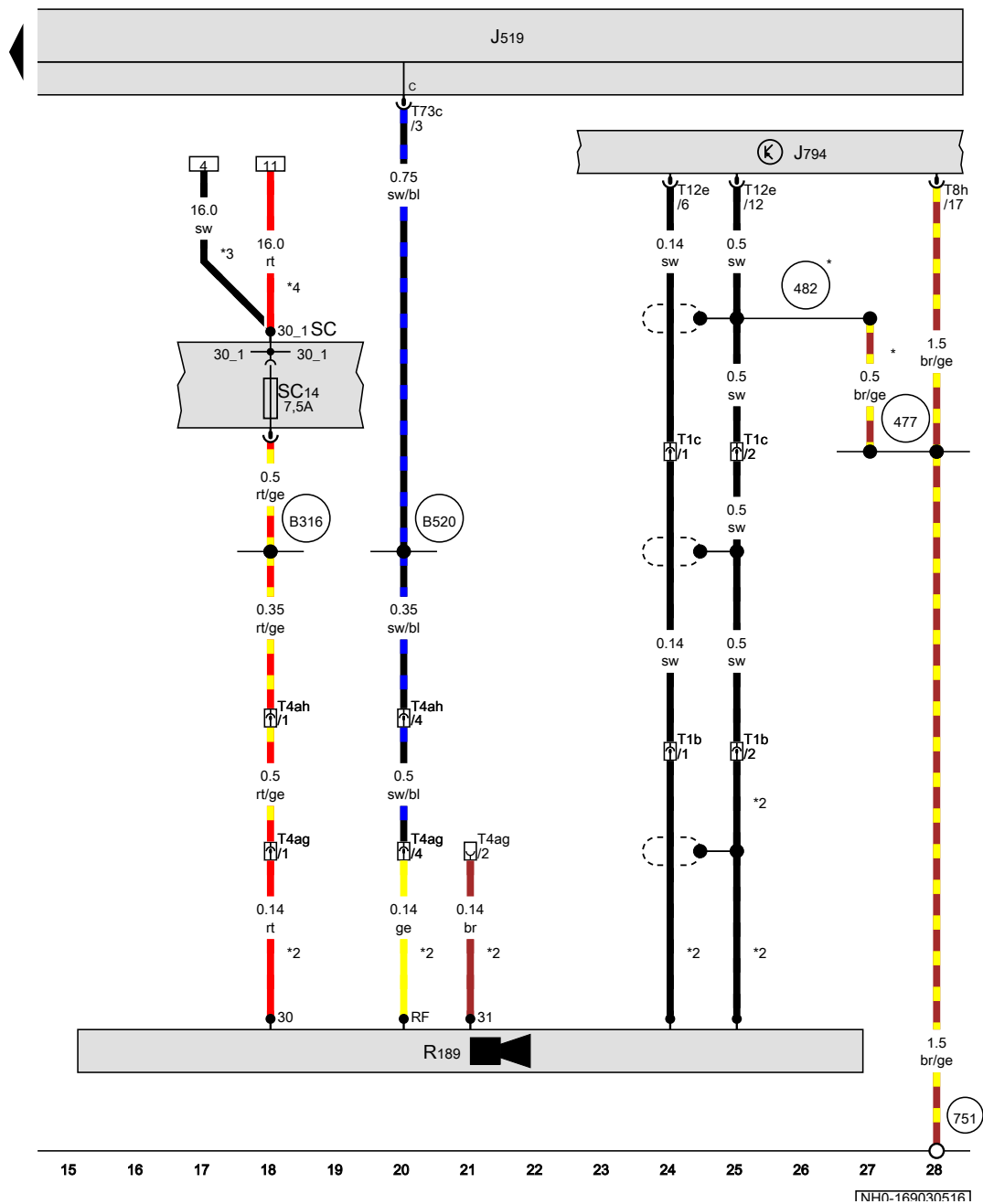
From May 2016

Battery, Fuse holder A, Fuse holder D

- A Battery
- J519 Onboard supply control unit
- SD2 Fuse 2 on fuse holder D
- SA5 Fuse 5 in fuse holder A
- S131 Fuse 1, in main wiring harness
- SA Fuse holder A
- SD Fuse holder D
- * Only models with battery in engine compartment
- *2 Only models with battery in luggage compartment



- ws = white
- sw = black
- ro = red
- rt = red
- br = brown
- gn = green
- bl = blue
- gr = grey
- li = purple
- vi = purple
- ge = yellow
- or = orange
- rs = pink



Control unit 1 for information electronics, Reversing camera, Fuse holder C

- J519 Onboard supply control unit
- J794 Control unit 1 for information electronics
- R189 Reversing camera
- SC Fuse holder C
- SC14 Fuse 14 on fuse holder C
- T1b Single connector, in rear lid
- T1c Single connector, on right in luggage compartment
- T4ag 4-pin connector, in rear lid
- T4ah 4-pin connector, on right in luggage compartment
- T8h 8-pin connector, black
- T12e 12-pin connector, blue
- T73c 73-pin connector, black

- (477) Earth connection (audio), in main wiring harness
- (482) Earth connection 2 (audio), in main wiring harness
- (751) Earth point 2, on right A-pillar
- (B316) Positive connection 2 (30a) in main wiring harness
- (B520) Connection (RL), in main wiring harness

- * According to equipment
- *2 Sheathed cable, black
- *3 Only models with battery in luggage compartment
- *4 Only models with battery in engine compartment

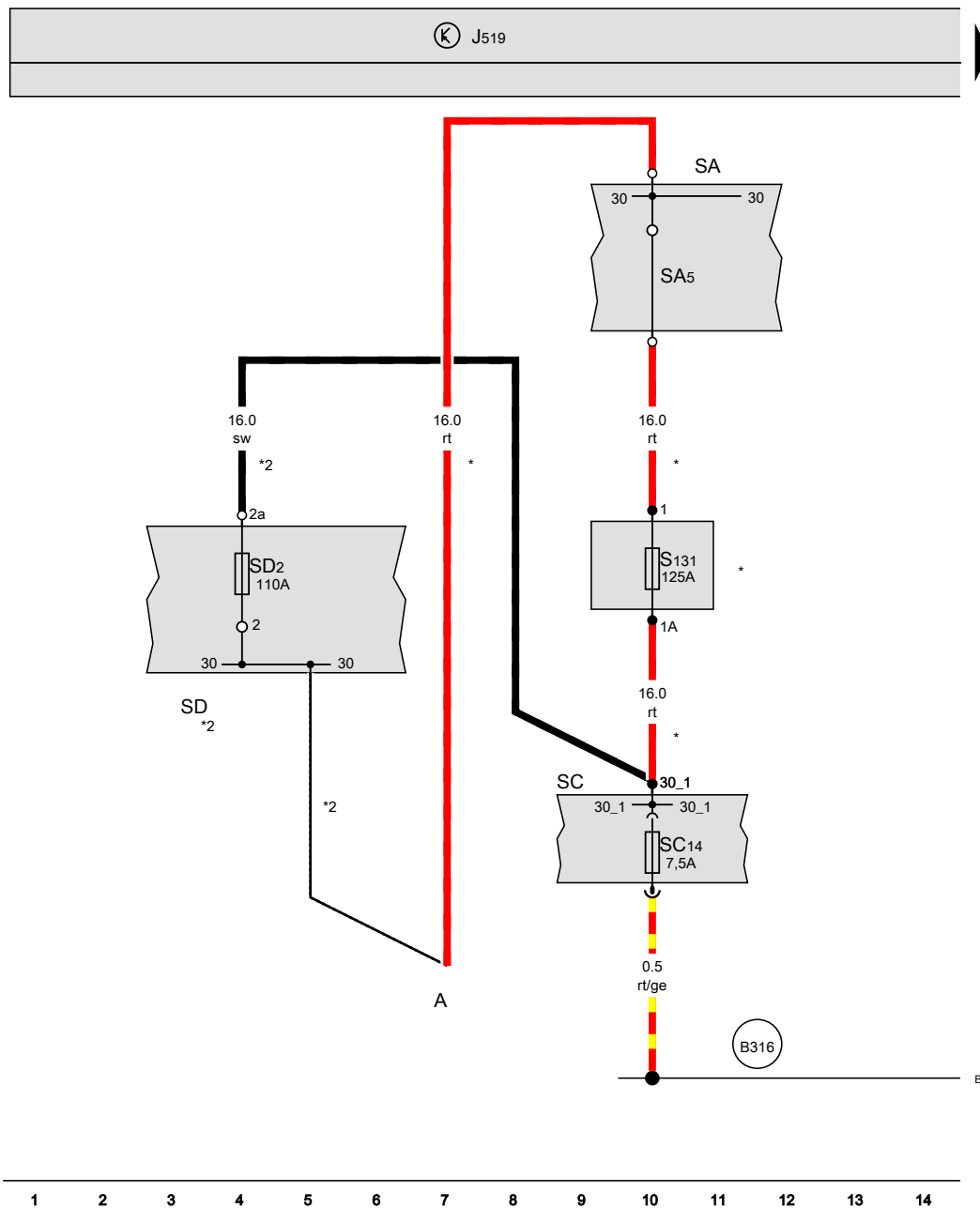
- ws = white
- sw = black
- ro = red
- rt = red
- br = brown
- gn = green
- bl = blue
- gr = grey
- li = purple
- vi = purple
- ge = yellow
- or = orange
- rs = pink

Wireless data transfer , (EI9),(L0R)

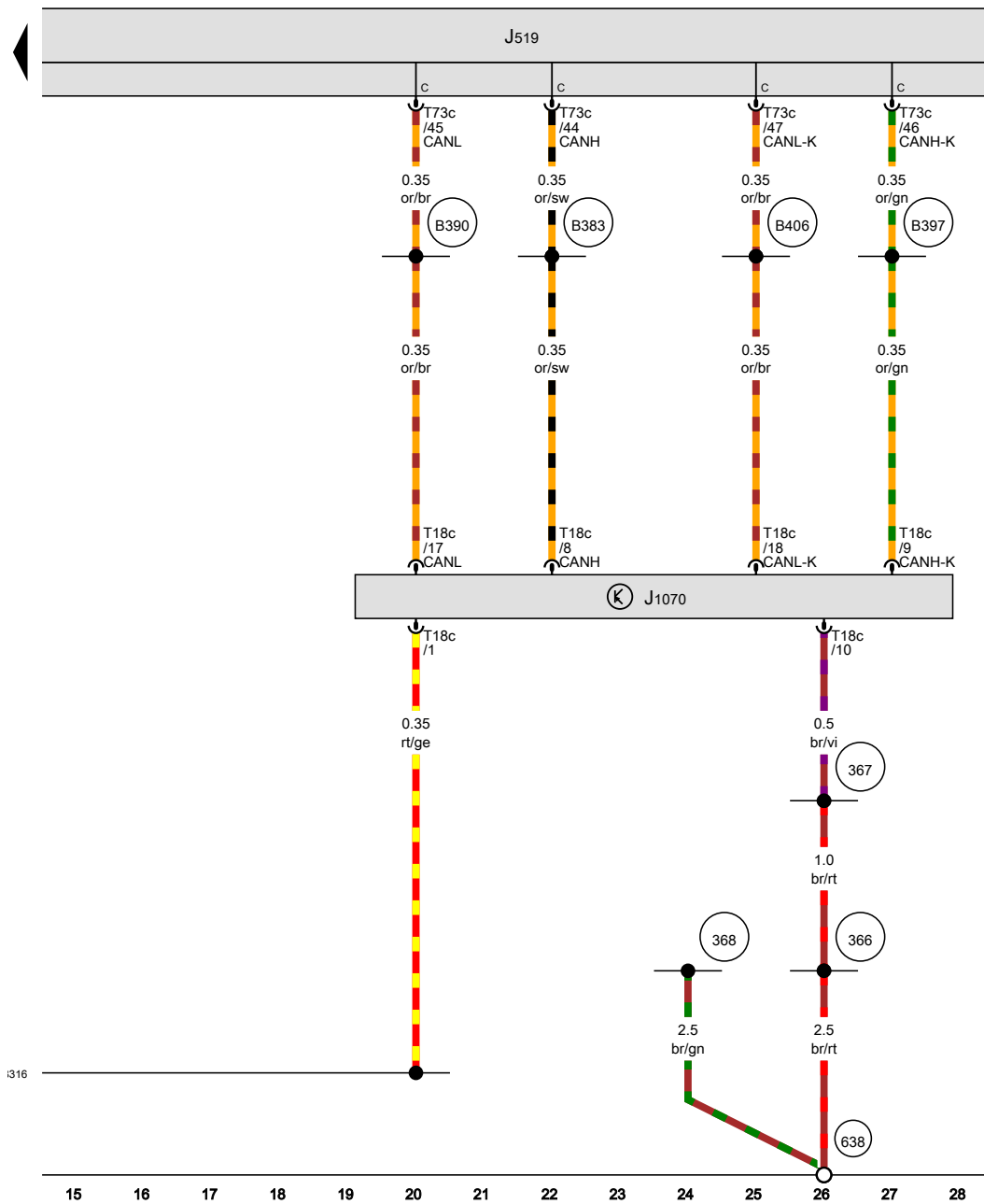
From May 2016

Battery, Fuse holder A, Fuse holder C, Fuse holder D

- A Battery
- J519 Onboard supply control unit
- S131 Fuse 1, in main wiring harness
- SA Fuse holder A
- SD2 Fuse 2 on fuse holder D
- SA5 Fuse 5 in fuse holder A
- SC Fuse holder C
- SC14 Fuse 14 on fuse holder C
- SD Fuse holder D
- B316** Positive connection 2 (30a) in main wiring harness
- * Only models with battery in engine compartment
- *2 Only models with battery in luggage compartment



- ws = white
- sw = black
- ro = red
- rt = red
- br = brown
- gn = green
- bl = blue
- gr = grey
- li = purple
- vi = purple
- ge = yellow
- or = orange
- rs = pink



Control unit for wireless data transfer

- J519 Onboard supply control unit
- J1070 Control unit for wireless data transfer, under seat on front left
- T18c 18-pin connector
- T73c 73-pin connector, black

- 366 Earth connection 1, in main wiring harness
- 367 Earth connection 2, in main wiring harness
- 368 Earth connection 3, in main wiring harness
- 638 Earth point, on right A-pillar
- B316 Positive connection 2 (30a) in main wiring harness
- B383 Connection 1 (powertrain CAN bus, high), in main wiring harness
- B390 Connection 1 (powertrain CAN bus, low), in main wiring harness
- B397 Connection 1 (convenience CAN bus, high), in main wiring harness
- B406 Connection 1 (convenience CAN bus, low), in main wiring harness

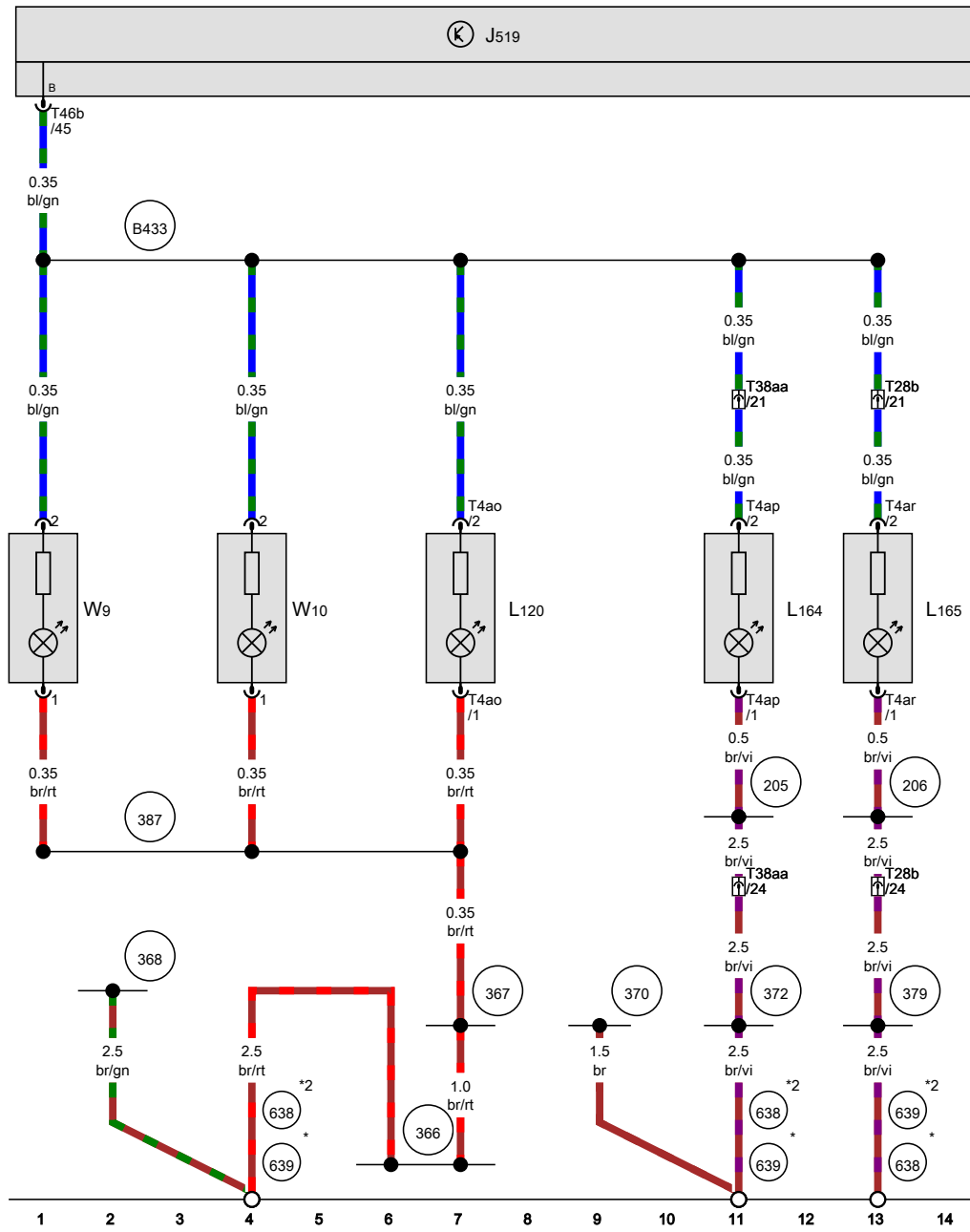
- ws = white
- sw = black
- ro = red
- rt = red
- br = brown
- gn = green
- bl = blue
- gr = grey
- li = purple
- vi = purple
- ge = yellow
- or = orange
- rs = pink

[NH0-170030516]

Ambient lighting

From May 2016

Storage compartment illumination bulb, Driver door ambient lighting bulb, Front passenger door ambient lighting bulb, Left footwell light, Right footwell light



- J519 Onboard supply control unit
- L120 Storage compartment illumination bulb, in front centre console
- L164 Driver door ambient lighting bulb
- L165 Front passenger door ambient lighting bulb
- T4ao 4-pin connector
- T4ap 4-pin connector
- T4ar 4-pin connector
- T28b 28-pin connector
- T38aa 38-pin connector
- T46b 46-pin connector, brown
- W9 Left footwell light
- W10 Right footwell light

- 205 Earth connection, in driver door wiring harness
- 206 Earth connection, in front passenger door wiring harness
- 366 Earth connection 1, in main wiring harness
- 367 Earth connection 2, in main wiring harness
- 368 Earth connection 3, in main wiring harness
- 370 Earth connection 5, in main wiring harness
- 372 Earth connection 7, in main wiring harness
- 379 Earth connection 14, in main wiring harness
- 387 Earth connection 22, in main wiring harness

- ws = white
- sw = black
- ro = red
- rt = red
- br = brown
- gn = green
- bl = blue
- gr = grey
- li = purple
- vi = purple
- ge = yellow
- or = orange
- rs = pink

- 638 Earth point, on right A-pillar
- 639 Earth point, left A-pillar
- B433 Connection (footwell light), in main wiring harness
- * Only left-hand drive models
- *2 Only right-hand drive models

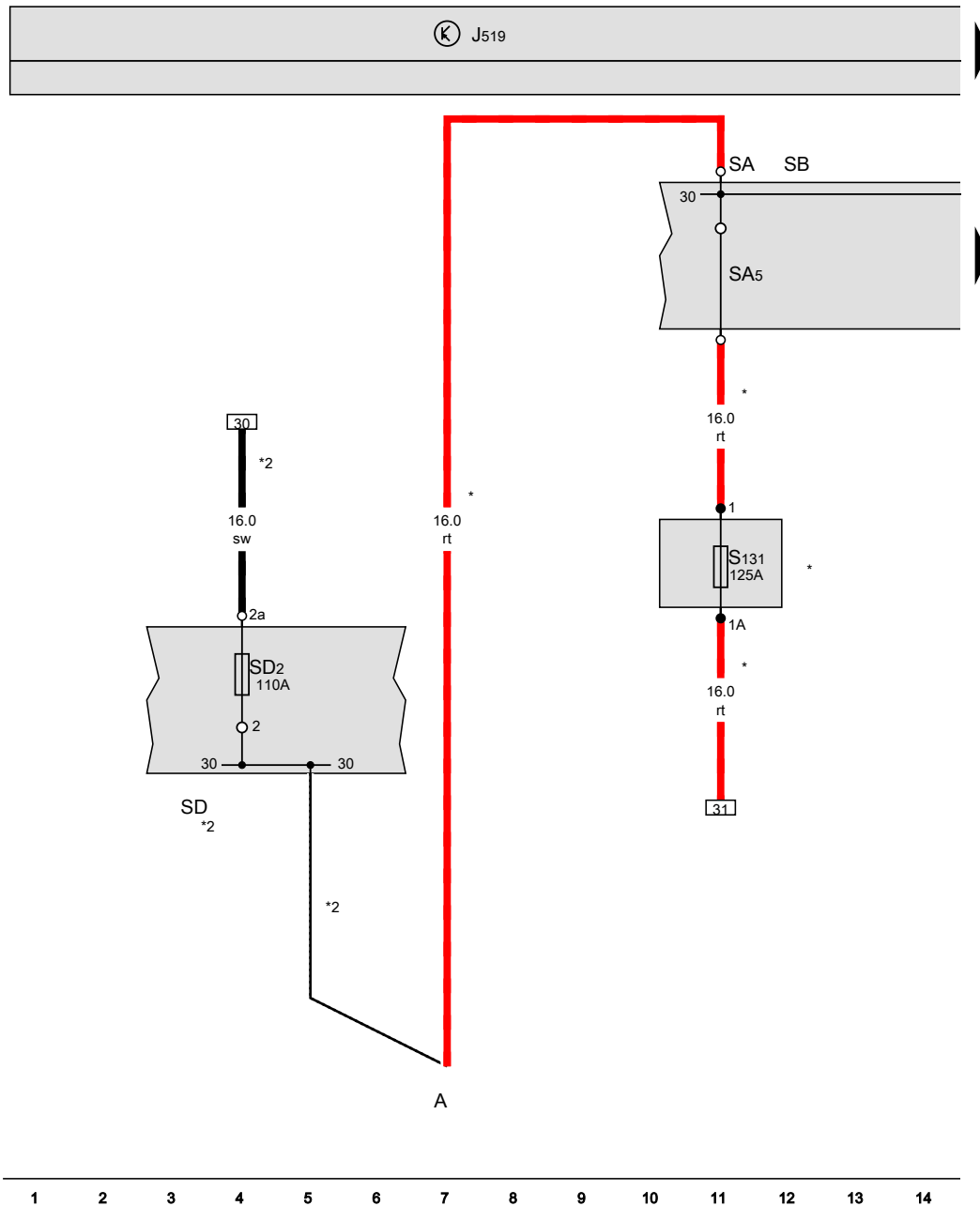
[NH0-171020516]

Taxi equipment

From May 2016

Battery, Fuse holder A, Fuse holder B, Fuse holder D

- A Battery
- J519 Onboard supply control unit
- SD2 Fuse 2 on fuse holder D
- SA5 Fuse 5 in fuse holder A
- S131 Fuse 1, in main wiring harness
- SA Fuse holder A
- SB Fuse holder B
- SD Fuse holder D
- * Only models with battery in engine compartment
- *2 Only models with battery in luggage compartment

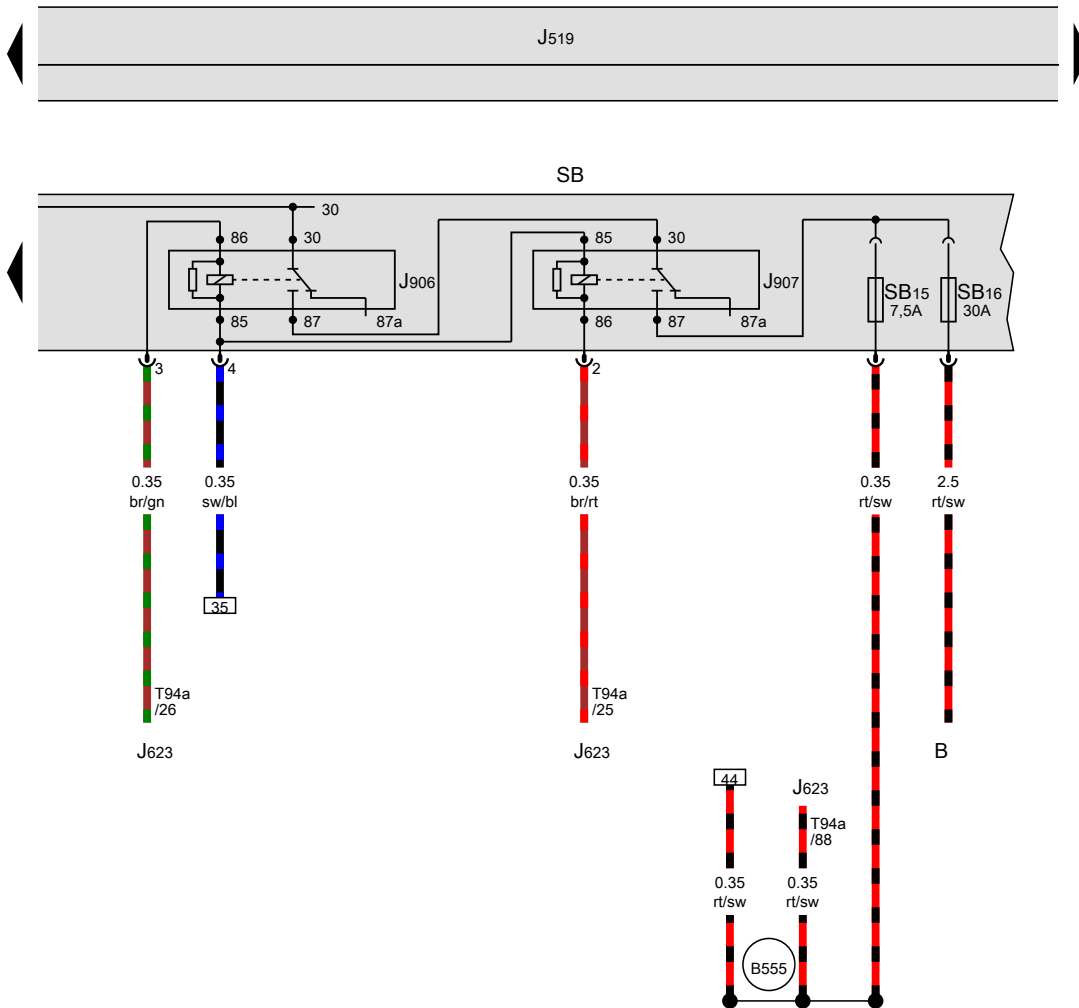


- ws = white
- sw = black
- ro = red
- rt = red
- br = brown
- gn = green
- bl = blue
- gr = grey
- li = purple
- vi = purple
- ge = yellow
- or = orange
- rs = pink

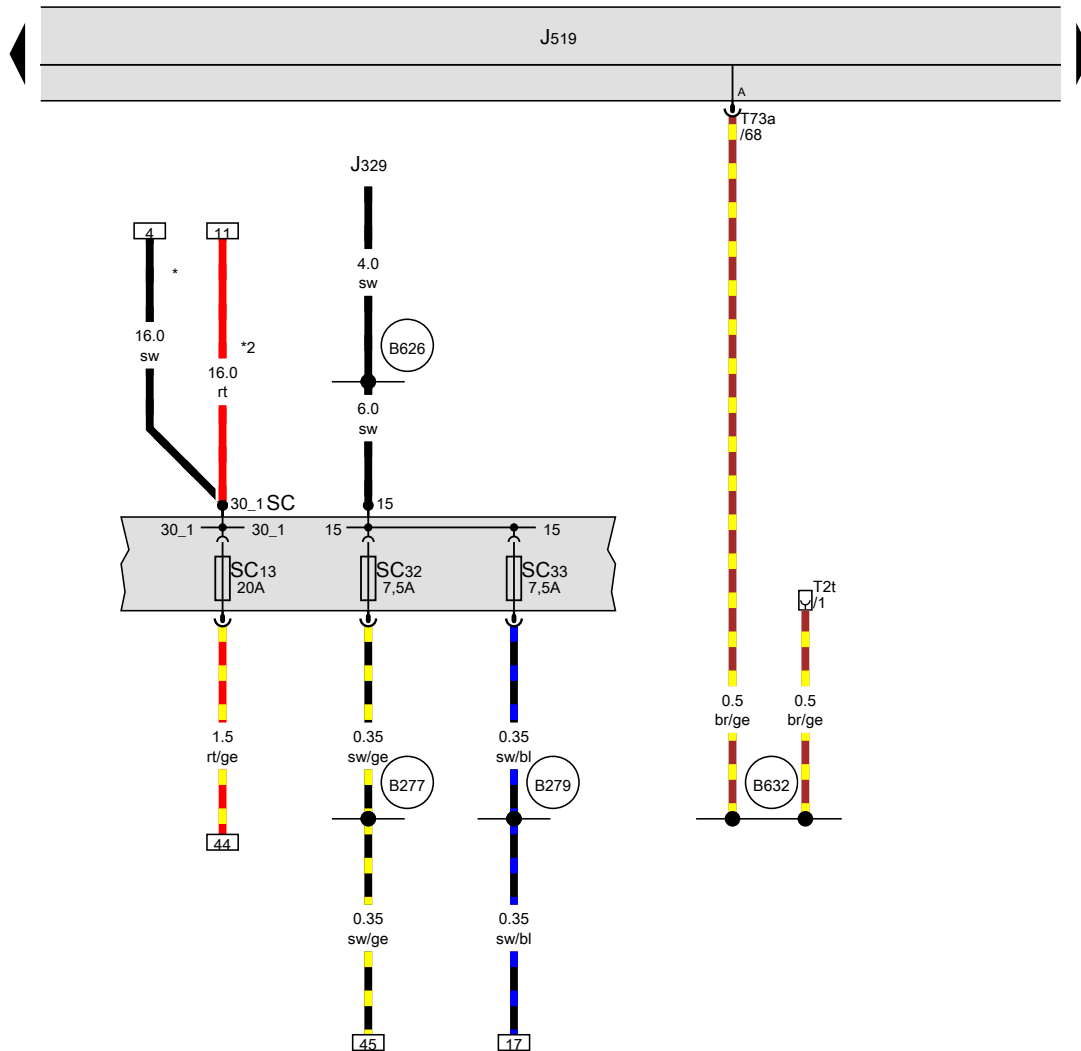
[NH0-172020516]

Starter relay 1, Starter relay 2, Fuse holder B

- B Starter
- J519 Onboard supply control unit
- J623 Engine control unit
- J906 Starter relay 1
- J907 Starter relay 2
- SB Fuse holder B
- SB15 Fuse 15 on fuse holder B
- SB16 Fuse 16 on fuse holder B
- T94a 94-pin connector
- B555** Positive connection 2 (50), in main wiring harness



- ws = white
- sw = black
- ro = red
- rt = red
- br = brown
- gn = green
- bl = blue
- gr = grey
- li = purple
- vi = purple
- ge = yellow
- or = orange
- rs = pink



Fuse holder C

- J329 Terminal 15 voltage supply relay
- J519 Onboard supply control unit
- SC Fuse holder C
- SC13 Fuse 13 on fuse holder C
- SC32 Fuse 32 on fuse holder C
- SC33 Fuse 33 on fuse holder C
- T2t 2-pin connector, under roof trim, front
- T73a 73-pin connector, black

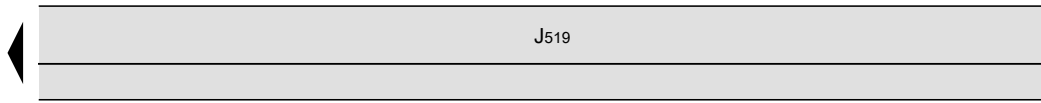
- (B277) Positive connection 1 (15a) in main wiring harness
- (B279) Positive connection 3 (15a) in main wiring harness
- (B626) Positive connection 2 (15), in main wiring harness
- (B632) Connection (interior light, 31), in main wiring harness

* Only models with battery in luggage compartment
 *2 Only models with battery in engine compartment

- ws = white
- sw = black
- ro = red
- rt = red
- br = brown
- gn = green
- bl = blue
- gr = grey
- li = purple
- vi = purple
- ge = yellow
- or = orange
- rs = pink

29 30 31 32 33 34 35 36 37 38 39 40 41 42

[NH-172040516]



Voltage stabiliser

- J285 Control unit in dash panel insert
- J519 Onboard supply control unit
- J532 Voltage stabiliser, under seat on front left
- T2m 2-pin connector, white
- T10d 10-pin connector, purple
- T12b 12-pin connector
- T18a 18-pin connector

379 Earth connection 14, in main wiring harness

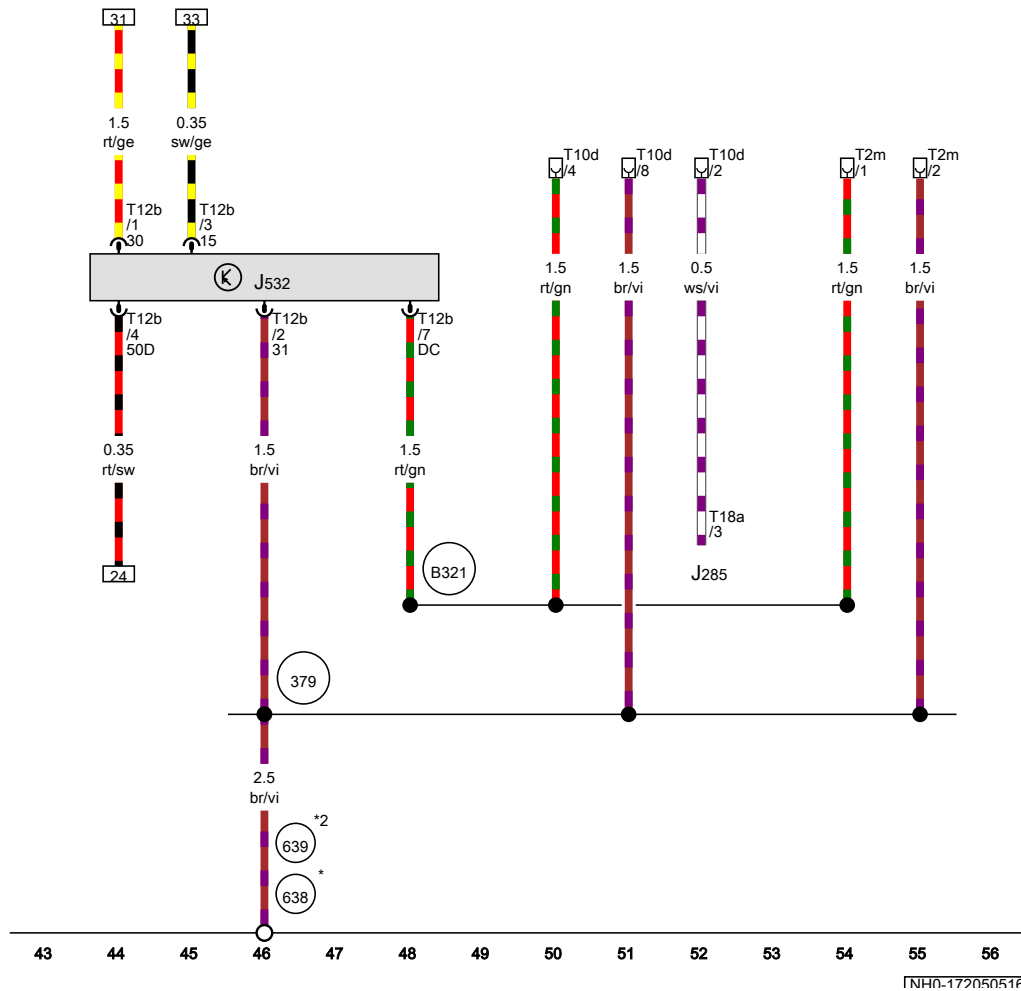
638 Earth point, on right A-pillar

639 Earth point, left A-pillar

B321 Positive connection 7 (30a) in main wiring harness

* Only left-hand drive models

*2 Only right-hand drive models



- ws = white
- sw = black
- ro = red
- rt = red
- br = brown
- gn = green
- bl = blue
- gr = grey
- li = purple
- vi = purple
- ge = yellow
- or = orange
- rs = pink